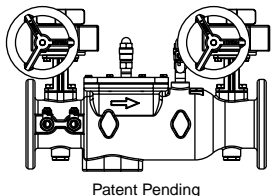


SPECIFICATION SHEET MODEL 830 (2½" - 10")



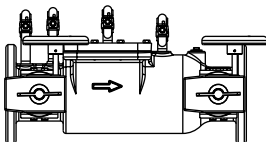
DOUBLE CHECK ASSEMBLY

Model 830
2½", 3", 6", 8", 10"



Patent Pending

Model 830H
4"



Patent Pending

Application

The new **MicroSeries Model 830 Double Check** with integral butterfly shut-offs is very compact and has modular checks for ease of service. It is used in non-health hazard (nontoxic) connections including fire sprinkler and standpipe systems, and premise isolation.

Features

- Short lay length
- Integral butterfly shut-offs
- Low head loss
- Light weight
- Low Lead
- Modular check design
- Easy to service and install
- Top entry and upward facing testcocks for ease of testing and maintenance.

Characteristics and Materials

Maximum Working Pressure: 175 PSI (1200 KPa)
 Hydrostatic Test Pressure: 350 PSI (2400 KPa)
 Temperature Range: 32°F to 140°F (0°C to 60°C)

Fluid: Water

End Detail: Flanged ANSI B16.1 Class 125
 Din PN-16
 AS 2129 Style "E"
 (optional) Groove per AWWA C606 steelpipe size

Main Valve Body: Ductile iron ASTM A-536 grade 65-45-12

Main Valve Trim: Stainless steel

Internal Check Modules: Stainless steel

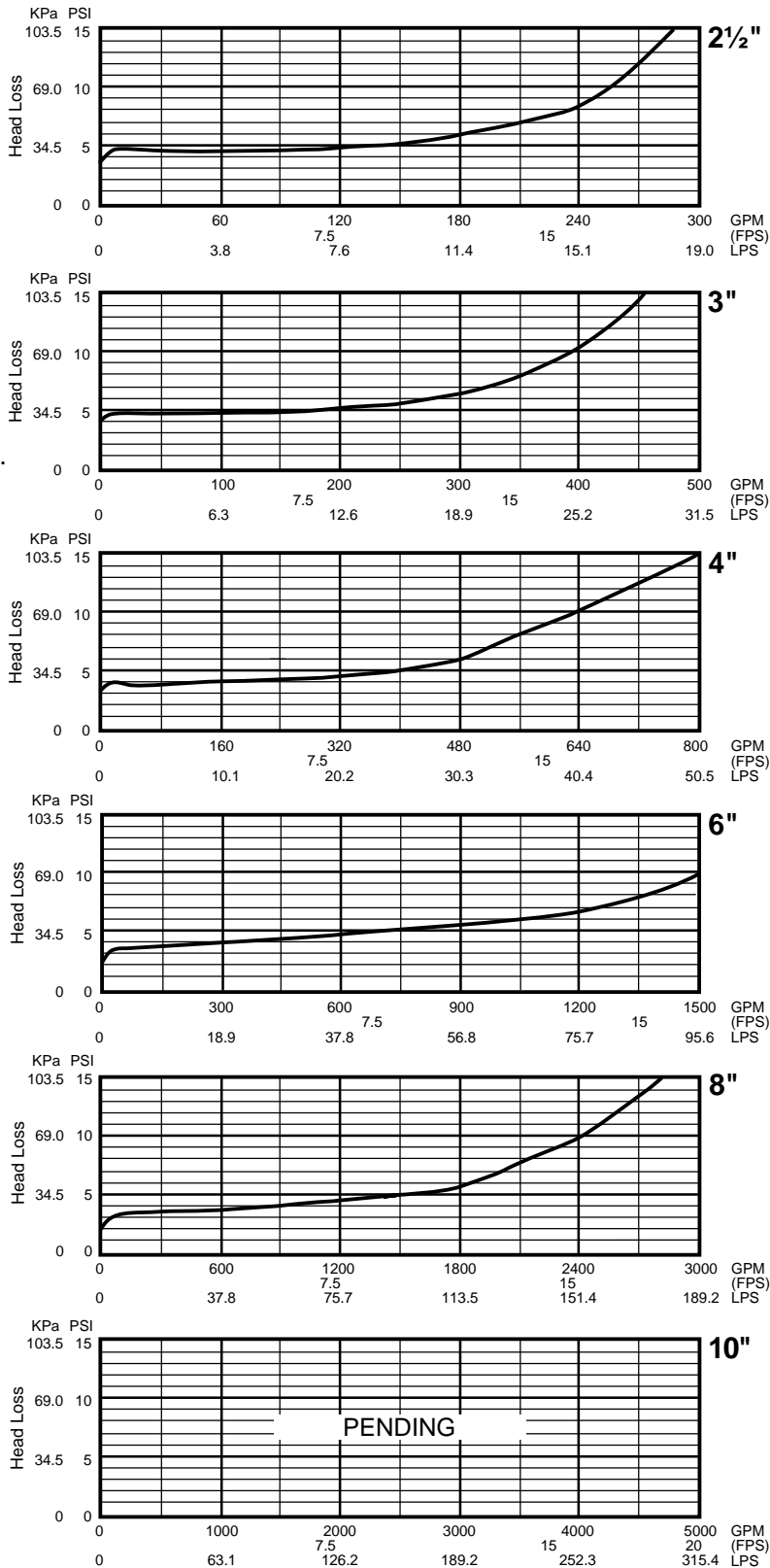
Elastomers: Silicone rubber

Springs: Stainless steel

Shut-Off Valves: Rubber seated internal butterfly valves: handlever, gear and gear with tamper switch available.

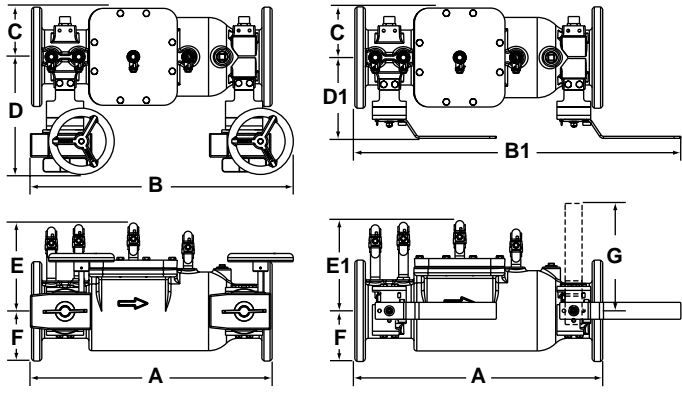
Coating: Fusion epoxy coated internal and external, AWWA C550-90

Model 830 Flow Curves

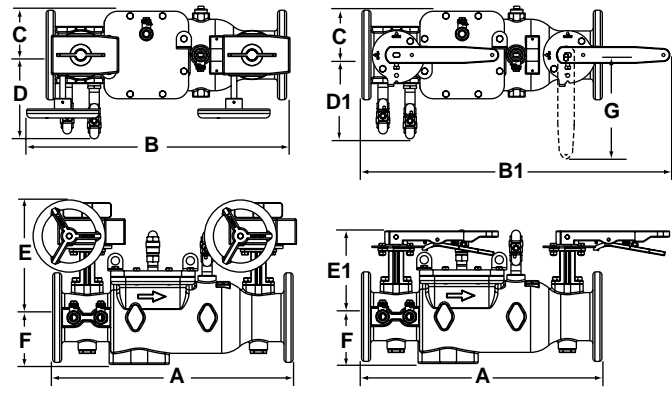


Dimensions and Weights

4" Model 830H



2 1/2", 3", 6", 8", 10" Model 830



U.S. – INCHES											Weight	
Size	A	B* GEAR	B1 LEVER	C	D* GEAR	D1 LEVER	E* GEAR	E1 LEVER	F	G	GEAR* (lbs.)	LEVER (lbs.)
2 1/2"	20	22	25 5/8	3 3/4	7	7	10	7 5/8	4 1/2		122	103
3"	20	22	25 5/8	3 3/4	7	7	10	7 5/8	4 1/2		122	103
4"	22	24	29	4 1/2	8	8	10 5/8	10 5/8	4 1/2	9 1/2	140	125
6"	27 1/2	32	38 1/2	5 3/4	8 1/2	8 1/2	16 1/4	10 1/2	6 1/2	14	246	225
8"	34	35	44	7 1/2	10	10	14 1/2	12	8	14	360	340
10"	Pending											

METRIC – MM											Weight	
Size	A	B* GEAR	B1 LEVER	C	D* GEAR	D1 LEVER	E* GEAR	E1 LEVER	F	G	GEAR* (kgs.)	LEVER (kgs.)
65	508.0	558.8	650.7	95.3	177.8	177.8	254	181.1	114.3		55.3	46.7
80	508.0	558.8	650.7	95.3	177.8	177.8	254	181.1	114.3		55.3	46.7
100	558.8	609.6	736.6	114.3	203.2	203.2	269.9	269.9	114.3	241.3	63.5	56.7
150	698.5	812.8	975	146.1	213.6	213.6	355.6	266.7	165.1	409.8	112.0	102.3
200	863.6	889.0	1117.6	190.5	254.0	254.0	368.3	304.8	203.2	409.8	163.3	154.2
250	Pending											

Weights shown are approximate.

Dimensions shown are nominal, allowances must be made for normal manufacturing tolerances.

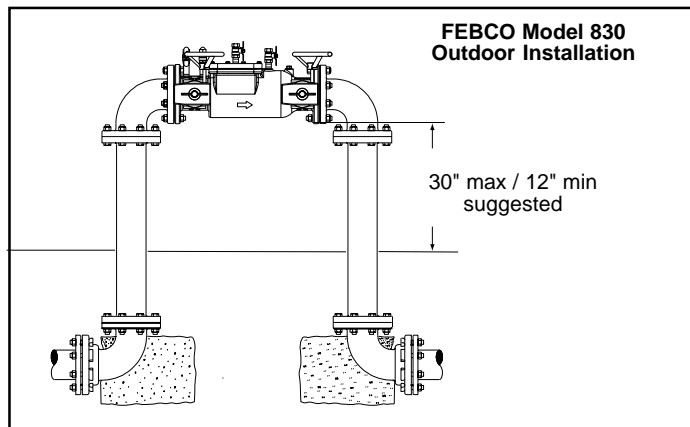
Agency Compliance

- ASSE Conformance (Std. 1015): 4" and 6"
- Contact factory or go to www.FEBCOonline.com for approval updates.

Options

- Hand-Lever Operator
- Gear Operator
- Gear Operator with Tamper Switch

Installation



FEBCO Backflow Prevention

P.O. Box 8070 • Fresno, CA 93747-8070

559 252-0791 • Fax: 559 453-9030 • www.cmb-ind.com • FEBCOonline.com

SS830 03/01 Copyright 2001 CMB Industries, Inc.



ISO 9001 Certified