

## For Health Hazard Applications

Job Name \_\_\_\_\_

Contractor \_\_\_\_\_

Job Location \_\_\_\_\_

Approval \_\_\_\_\_

Engineer \_\_\_\_\_

Contractor's P.O. No. \_\_\_\_\_

Approval \_\_\_\_\_

Representative \_\_\_\_\_

# Series 994RPDA

## Reduced Pressure Detector Assemblies

Sizes 2½" – 6" (65 – 150mm)

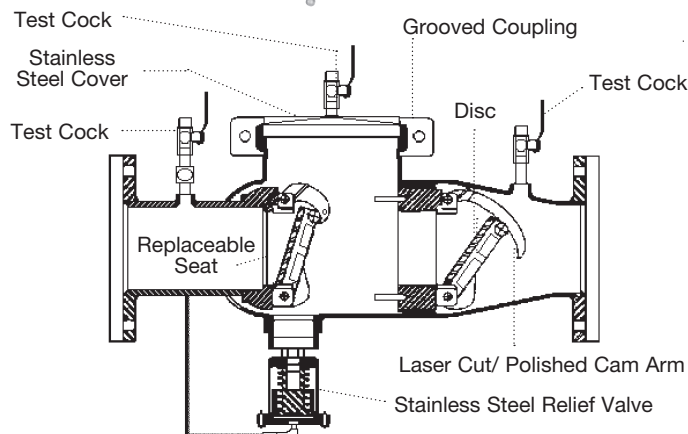
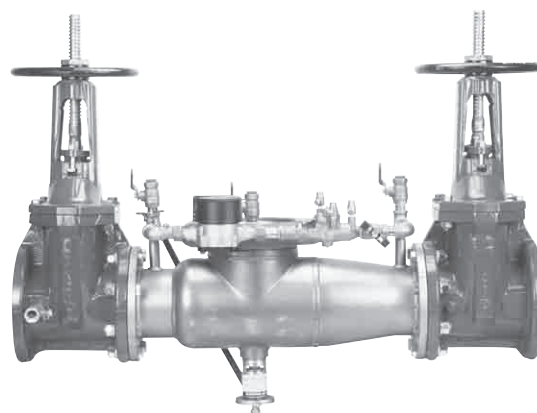
Series 994RPDA Reduced Pressure Detector Assemblies are designed for use in accordance with water authority-containment programs. This series is normally used in health hazard applications to protect against backsiphonage and backpressure. This series can be used to prevent the reverse flow of fire protection substances, i.e., glycerin wetting agents, foam agents, stagnant water, auxiliary supplies and water of non-potable quality from being pumped or siphoned into the potable water supply.

### Features

- Stainless steel construction provides long term corrosion resistance and maximum strength
- Stainless steel body is half the weight of competitive designs reducing installation and shipping costs
- Short end to end dimensions makes retrofit easy
- Bottom mounted relief valve reduces clearance requirements when installed against an outside wall
- Torsion spring check valves provides maximum flow at low pressure drop
- Thermoplastic & stainless steel check valves for trouble-free operation
- No special tools required for servicing
- Compact construction allows for smaller enclosures
- Stainless steel relief valve features a balanced rolling diaphragm to eliminate sliding seals and lower maintenance costs
- Detects underground leaks and unauthorized water use.
- GPM or CFM meter available

### Specifications

A Reduced Pressure Detector Assembly shall be installed at each cross-connection to prevent backsiphonage and backpressure of hazardous materials into the potable water supply. The assembly shall consist of a pressure differential relief valve located in a zone between two positive seating check valves. The main valve body shall be manufactured from 300 Series stainless steel for corrosion resistance. The check valves shall be of thermoplastic construction with stainless steel hinge pins, cam arm, and cam bearing. The check valve shall utilize a single torsion spring design to minimize pressure drop through the assembly. The check valves shall be modular and shall seal to the main valve body by the use of an O-ring. There shall be no brass or bronze parts used within the check assembly or relief valve. The use of seat screws to retain the check valve seat is prohibited. All internal parts shall be accessible through a single cover on the valve assembly securely held in place by a two-bolt grooved coupling. The differential relief valve shall be of stainless steel construction and shall utilize a rolling diaphragm and no sliding seals. The relief valve shall be bottom mounted and supplied with a steel reinforced sensing hose. The assembly shall include two resilient shutoff valves and four ball type test cocks and a hydraulically balanced bypass line. The bypass line shall include a meter, small diameter reduced pressure zone assembly and isolation valves. The bypass reduced pressure assembly shall have a single bolted on cover and top mounted test cocks. The assembly shall be a Watts Series 994RPDA.



### Models

#### Suffix:

- LF – without shutoff valves
- OSY – UL/FM outside stem and yoke resilient seated gate valves
- \*OSY FxG – flanged inlet gate connection and grooved outlet gate connection
- \*OSY GxG – grooved inlet gate connection and flanged outlet gate connection
- \*OSY GxG – grooved inlet gate connection and grooved outlet gate connection
- CFM – cubic feet per minute meter
- GPM – gallons per minute meter

Available with grooved NRS gate valves - consult factory\*

Post indicator plate and operating nut available - consult factory\*

\*Consult factory for dimensions

Note: The installation of a drain line is recommended. When installing a drain line, an air gap is necessary.

**Now Available**  
**WattsBox Insulated Enclosures.**  
 For more information, send for literature ES-WB.

**IMPORTANT: INQUIRE WITH GOVERNING AUTHORITIES  
 FOR LOCAL INSTALLATION REQUIREMENTS**

**WATTS®**

Watts product specifications in U.S. customary units and metric are approximate and are provided for reference only. For precise measurements, please contact Watts Technical Service. Watts reserves the right to change or modify product design, construction, specifications, or materials without prior notice and without incurring any obligation to make such changes and modifications on Watts products previously or subsequently sold.

## Materials

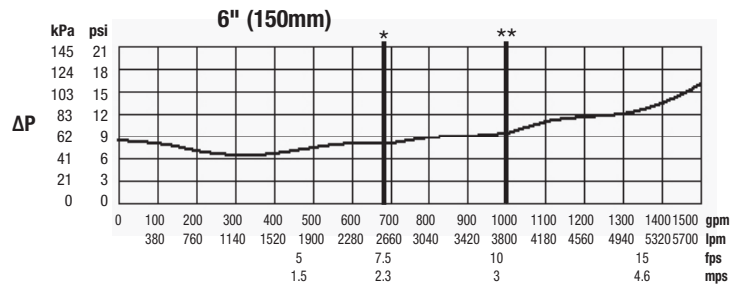
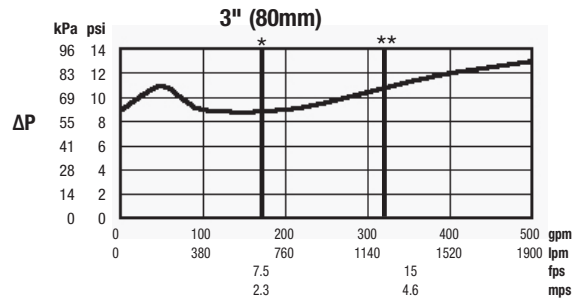
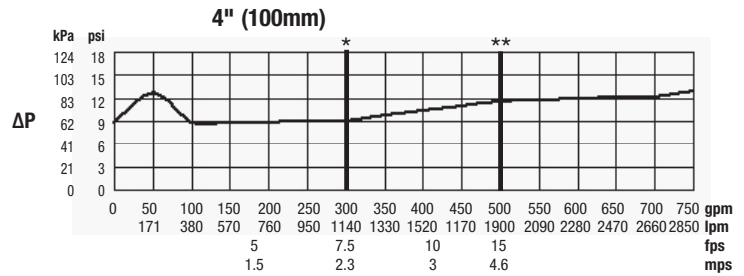
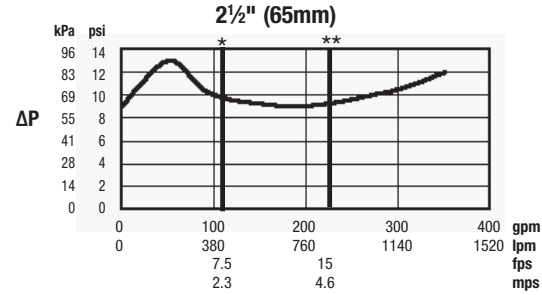
All internal metal parts: 300 Series stainless steel  
 Main valve body: 300 Series stainless steel  
 Check assembly: Noryl®  
 Flange dimension in accordance with AWWA Class D

## Pressure – Temperature

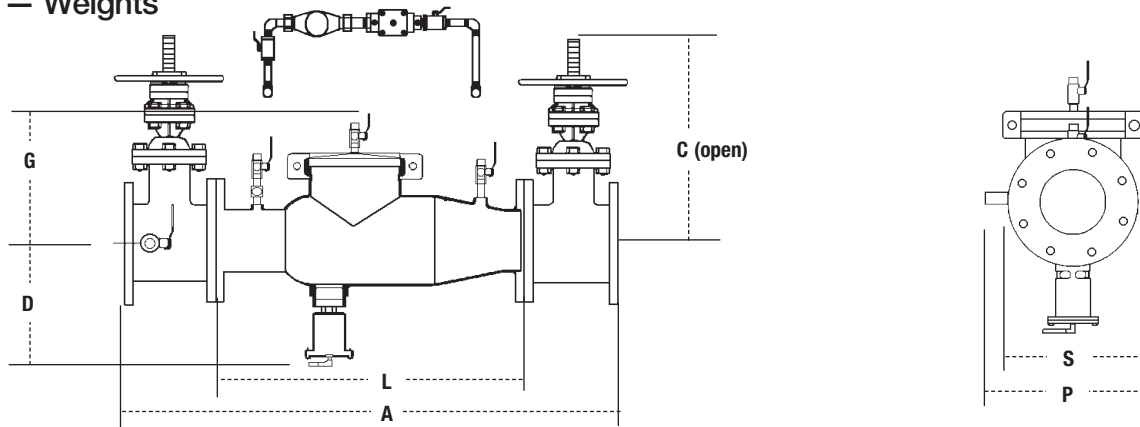
Temperature Range: 33°F – 110°F (0.5°C – 43°C) continuous  
 Maximum Working Pressure: 175psi (12.1 bar)

## Capacity

\*Typical maximum flow rate (7.5 feet/sec.) \*\*UL rated flow



## Dimensions – Weights



SIZE (DN)	DIMENSIONS				WEIGHTS												
	A		C		D		G		L		P		S		with Gates		without Gates
in.	mm	in.	mm	in.	mm	in.	mm	in.	mm	in.	mm	in.	mm	lbs.	kgs.	lbs.	kgs.
2 1/2	65	37	940	16 3/8	416	10 1/2	267	10	254	22	559	12 1/2	318	170	77	61	28
3	80	38	965	18 7/8	479	10 1/2	267	10	254	22	559	13	330	205	93	65	29
4	100	40	1016	22 3/4	578	10 1/2	267	10	254	22	559	14 1/2	368	270	122	67	30
6	150	48 1/2	1232	30 3/8	765	11 1/2	292	11 1/2	292	27 1/2	699	15 1/2	394	405	184	105	48

Noryl® is a registered trademark of General Electric Company



A Watts Water Technologies Company

## Standards

AWWA C511-92, CSA B64.5

## Approvals



USA: No. Andover, MA • Tel: (978) 688-1811 • Fax: (978) 794-1848 • www.watts.com  
 Canada: Burlington, ON • Tel: (905) 332-4090 • Fax: (905) 332-7068 • www.wattscanada.ca