

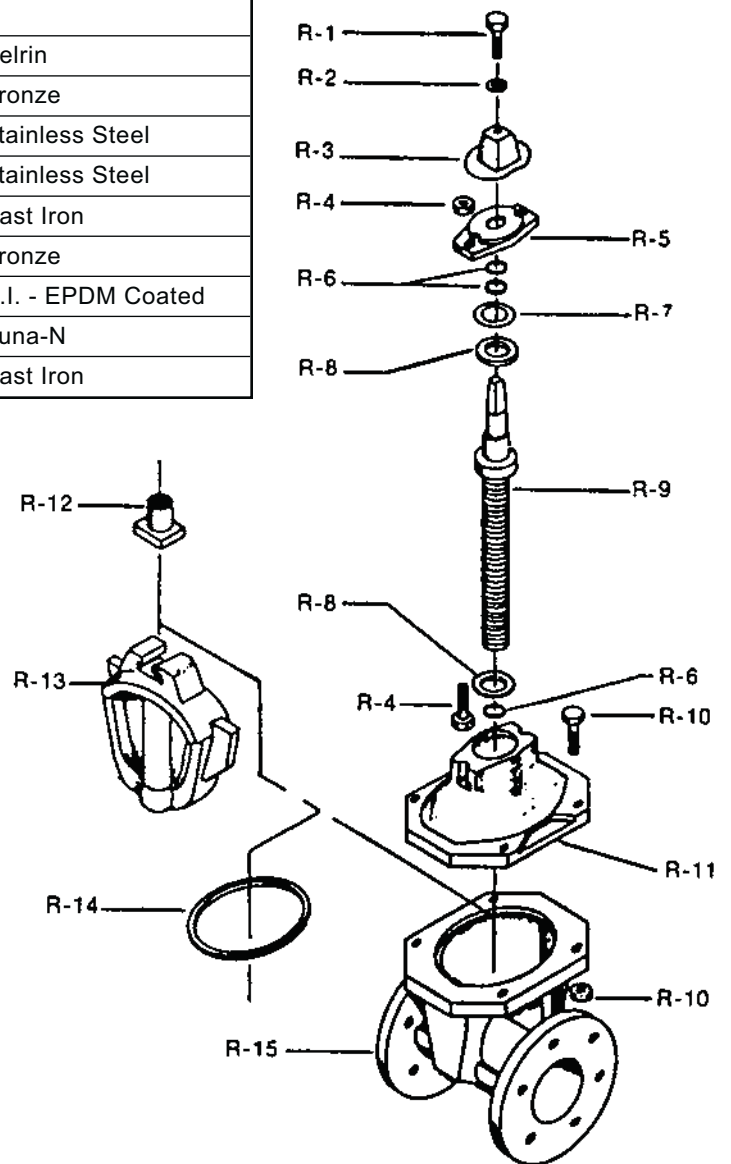


2" - 12" GATE VALVE NRS ASSEMBLY EXPLOSION

KENNEDY VALVE MODEL KS-FW

Complies with applicable requirements of AWWA C509

DET.	QTY.	DESCRIPTION	MATERIALS
R-1	1	Hold Down Hex Bolt	Stainless Steel
R-2	1	Hold Down Bolt Washer	Zinc Plated Steel
R-3	1	Sq. Operating Nut OR Handwheel (Not Shown)	Cast Iron
R-4	2	Bolt & Nut (Stuffing Box)	Stainless Steel
R-5	1	Stuffing Box (10" & 12" D.I.)	Cast Iron
R-6	3	O-Ring (Stem) 1 Below Collar	Buna-N
R-7	1	O-Ring (Stuffing Box)	Buna-N
R-8	1	Thrust Washer (Sizes 2"-2 1/2")	
	2	Thrust Washer (Sizes 3" thru 12")	Delrin
R-9	1	Stem	Bronze
R-10	4	Cover Bolts & Nuts (Sizes 2" thru 6")	Stainless Steel
	8	Cover Bolts & Nuts (Sizes 8" thru 12")	Stainless Steel
R-11	1	Cover	Cast Iron
R-12	1	Stem Nut	Bronze
R-13	1	Wedge Disc	D.I. - EPDM Coated
R-14	1	O-Ring (Cover)	Buna-N
R-15	1	Body	Cast Iron





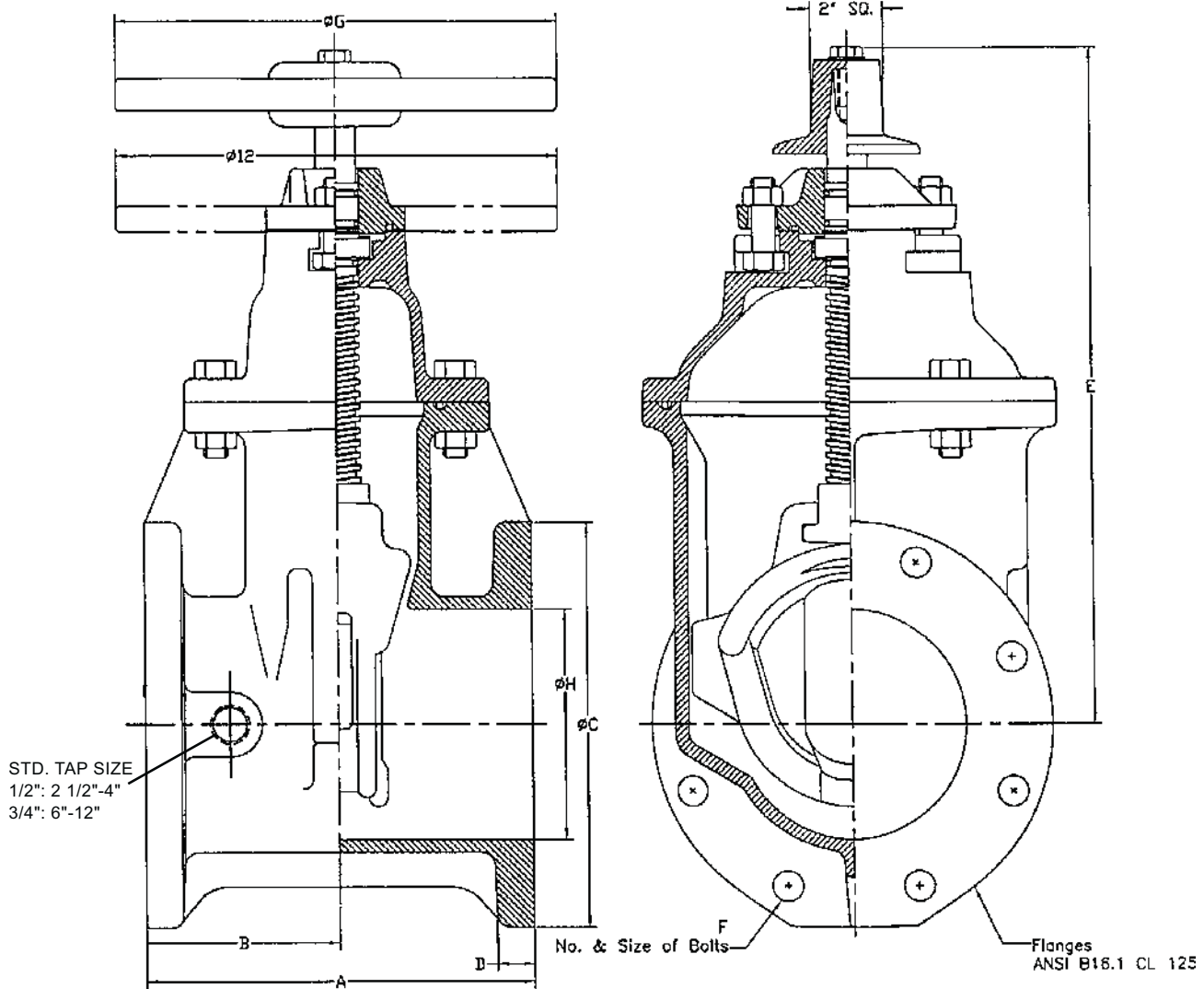
**2" - 12" R/S VALVE NRS FLANGED ENDS
GENERAL DIMENSIONS**

KENNEDY VALVE MODEL KS-FW

Complies with applicable requirements of AWWA C509

*Face to face dimensions conform to ASME B16.10

8561ASS W/HANDWHEEL
8561ANSS W/NUT
8701ASS W/POST PLATE (3-12")



ALL FLANGE VALVES TAPPED & PLUGGED @ POSITION "A"

VALVE SIZE	* A	B	C	D	E	F	G	H	WEIGHT*
2	7	3 1/2	6	11/16	10 7/8	4 5/8	7 1/4	2	41
2 1/2	7 1/2	3 3/4	7	11/16	11 3/8	4 5/8	7 1/4	2 1/2	49
3	8	4	7 1/2	3/4	12 3/8	4 5/8	10	3	62
4	9	4 1/2	9	15/16	14 3/4	8 5/8	10	4 1/4	99
6	10 1/2	5 1/4	11	1	19	8 3/4	12	6 1/4	142
8	11 1/2	5 3/4	13 1/2	1 1/8	22 1/2	8 3/4	14	8 1/4	239
10	13	6 1/2	16	1 3/16	26 1/2	12 7/8	18	10 1/4	408
12	14	7	19	1 1/4	30	12 7/8	18	12 1/4	554

NOTE: ADD 16 LBS. FOR INDICATOR POST PLATE (3"-12" ONLY)

Updated 01/25/2013