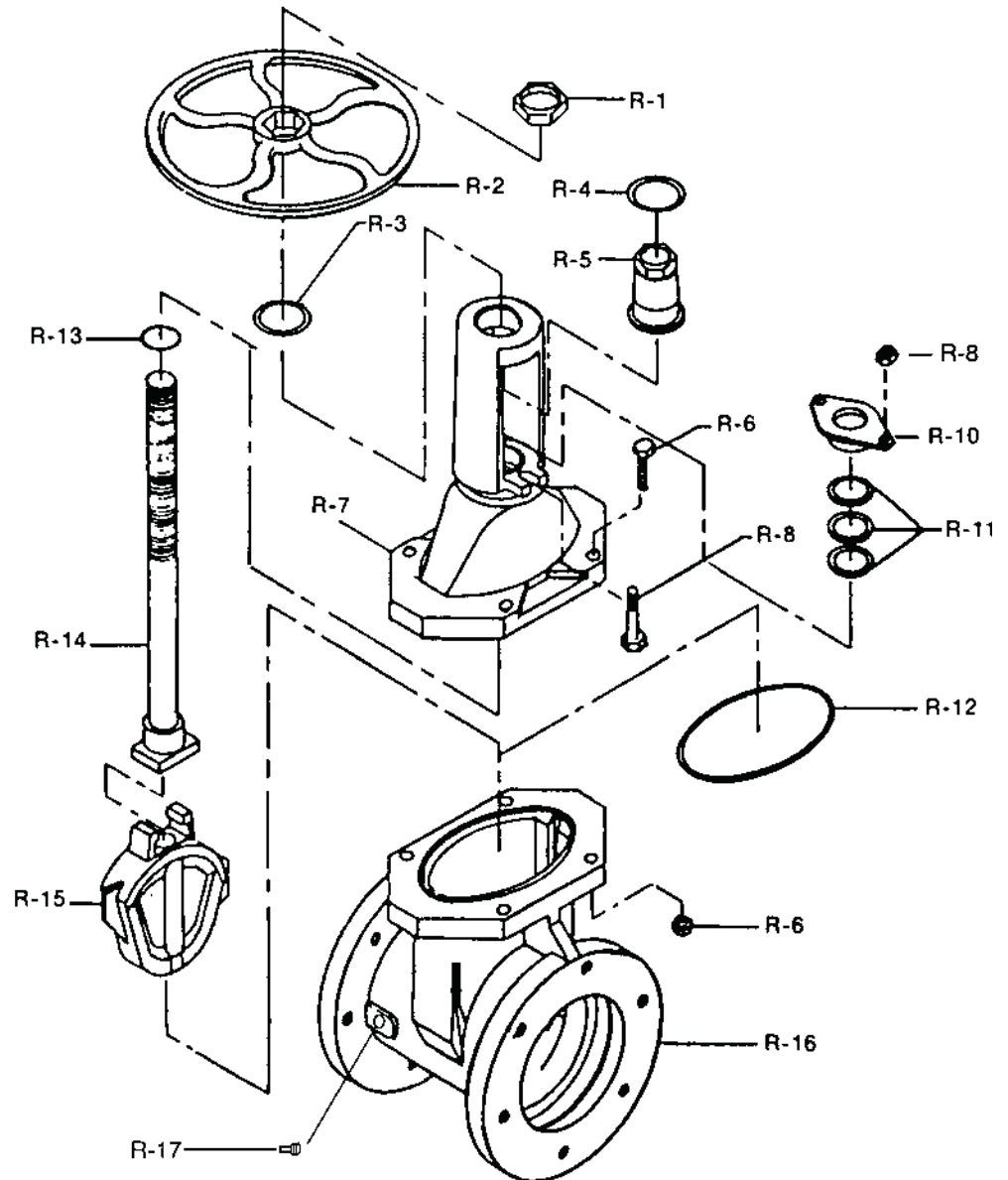


2" - 12" R/S GATE VALVE OS&Y ASSEMBLY EXPLOSION

KENNEDY VALVE MODEL KS-FW

DET.	QTY.	DESCRIPTION	MATERIALS
R-1	1	Handwheel Hold Down Nut	Bronze
R-2	1	Handwheel	Cast Iron
R-3	1	Upper Thrust Washer (Sizes 3" thru 12")	Bronze
R-4	1	Lower Thrust Washer	Bronze
R-5	1	Yoke Nut	Bronze
R-6	4	Cover Bolts & Nuts (Sizes 2-1/2" thru 6")	Zinc Plated Steel
R-6	8	Cover Bolts & Nuts (Sizes 8" thru 12")	Zinc Plated Steel
R-7	1	Cover	Cast Iron
R-8	2	Packing Bolts	Zinc Plated Steel
R-8	2	Packing Bolt Nuts	Brass
R-10	1	Packing Gland	Cast Iron
R-11		Packing	Sq. Braided Polymer
R-12	1	O-Ring (Cover)	Buna-N
R-13	1	O-Ring (Stem)	Buna-N
R-14	1	Stem Assembly	Brass/Bronze
R-15	1	Wedge Disc	D.I. - EPDM Coated
R-16	1	Body	Cast Iron
R-17	1	Pipe Plug	Galvanized Steel





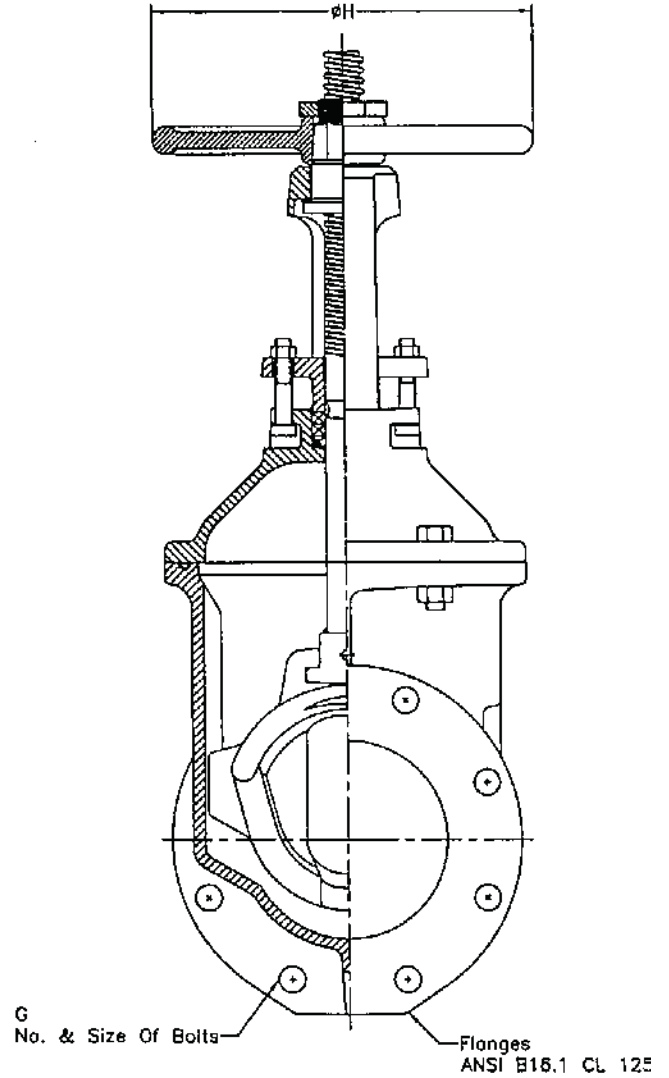
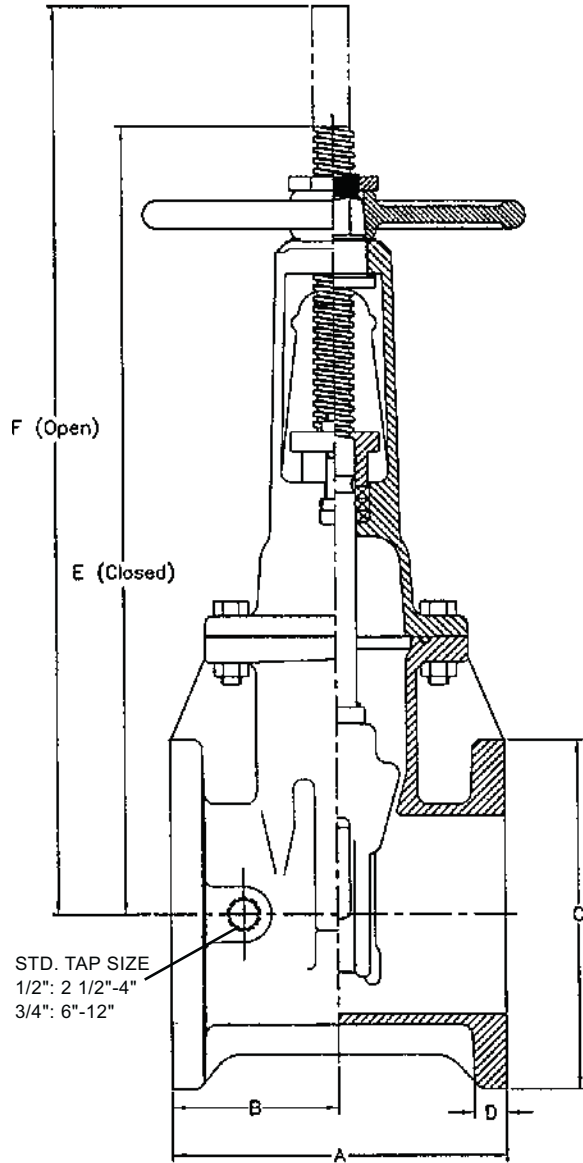
**2" - 12" R/S VALVE FLANGE ENDS
OS&Y GENERAL DIMENSIONS**

KENNEDY VALVE MODEL KS-FW

Complies with applicable requirements of AWWA C509

8068A

*Face to face dimensions (inch) conform to ASME B16.10



VALVE SIZE	* A	B	C	D	E	F	G	H	WEIGHT
2	7	3 1/2	6	5/8	12	10	4 5/8	7 1/4	N/A
2 1/2	7 1/2	3 3/4	7	11/16	13 7/8	16 3/8	4 5/8	7 1/4	51
3	8	4	7 1/2	3/4	15 5/8	18 7/8	4 5/8	10	64
4	9	4 1/2	9	15/16	18 1/4	22 3/4	8 5/8	10	105
6	10 1/2	5 1/4	11	1	23 3/4	30 1/8	8 3/4	12	152
8	11 1/2	5 3/4	13 1/2	1 1/8	29 1/4	37 3/4	8 3/4	14	253
10	13	6 1/2	16	1 3/16	35 3/8	45 3/4	12 7/8	18	427
12	14	7	19	1 1/4	40 5/8	53 1/8	12 7/8	18	581

ALL FLANGE VALVES TAPPED & PLUGGED @ POSITION "A"