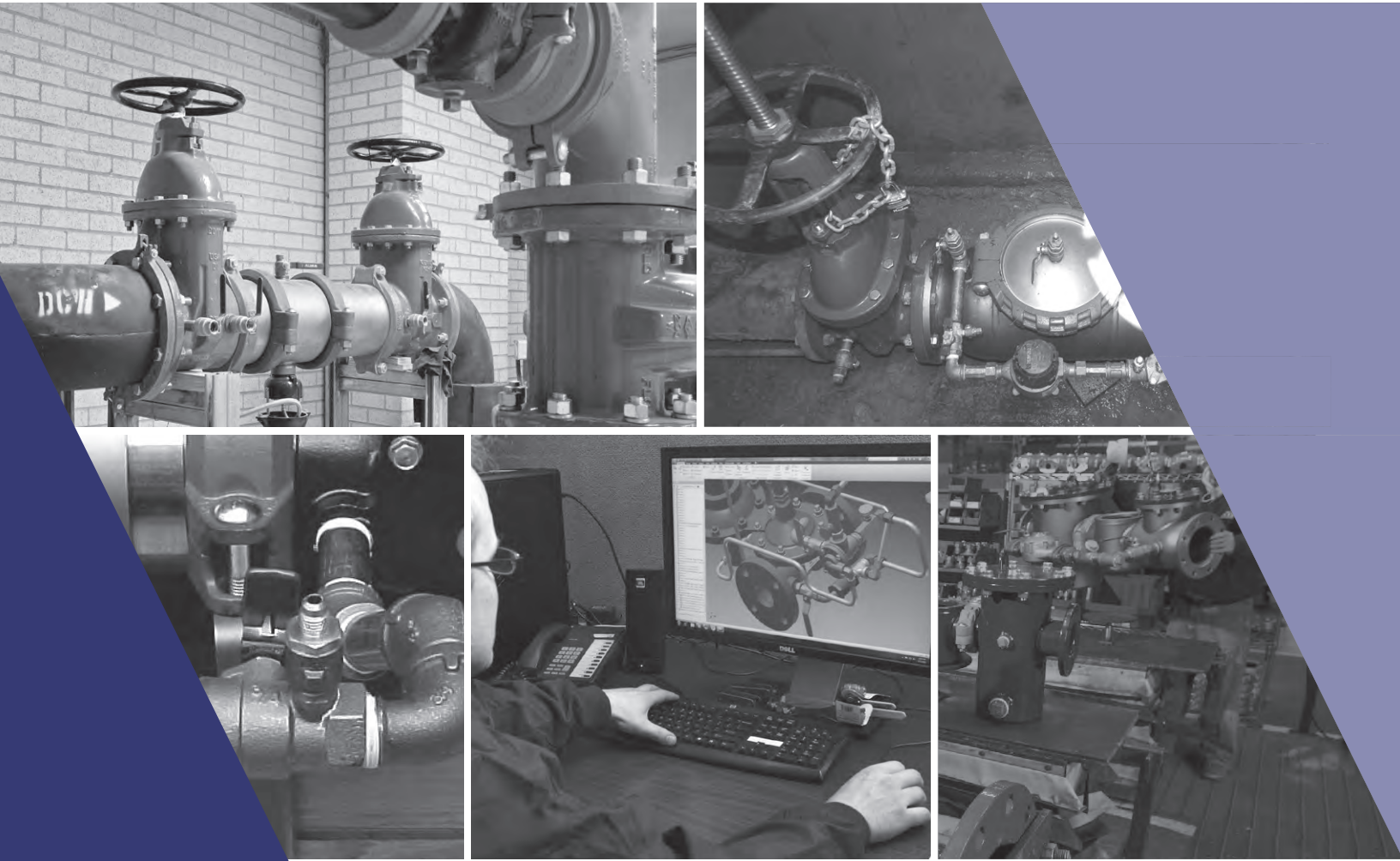


# Price List

Backflow Prevention Products, Repair Kits, and Parts



Effective October 8, 2018

All prices supersede previous issues, are temporary and subject to change without notice.

# Electronic is Green!

**For the latest Ames pricing information in  
electronic format, visit our Data Exchange at:**

<http://www.wattswater.com/dataexchange>

- Download product and list price data in .csv, .pdf, .tsv, .xls and .xml formats
- Easy access to list price data for business systems
- Sign up for e-mail alerts when data is updated
- Access other Watts Water Technologies brands pricing data

## Table of Contents — PRODUCTS

Series	Page
<b>Single Detector Check Valves</b>	
1000SS DCV ..... (Stainless Steel Body).....	3
1000 DCV ..... (Fusion Bonded Epoxy Steel Body).....	3
1005 DCV ..... (Fusion bonded Epoxy Steel Body).....	4
1010 DCV ..... (Fusion Bonded Epoxy Steel Body).....	4
1000 DCV ..... (Cast Iron Body).....	4
ACVW-125 ..... (Cast Iron Body).....	4
<b>In-Building Risers</b>	
IBR ..... (Stainless Steel).....	4
<b>Double Check Valve Assemblies</b>	
2000B/LF2000B. (Bronze Body).....	5
C-200 ..... (Stainless Steel Body).....	6
M-200..... (Stainless Steel Body).....	7
2000SS..... (Stainless Steel Body).....	8
<b>Double Check Detector Assemblies</b>	
3000BM1 ..... (Bronze Body).....	9
C-300 ..... (Stainless Steel Body).....	9-10
M-300..... (Stainless Steel Body).....	11-12
3000SS..... (Stainless Steel Body).....	13-14
<b>Reduced Pressure Zone Assemblies</b>	
4000B/LF4000B. (Bronze Body).....	14
C-400 ..... (Stainless Steel Body).....	15
M-400..... (Stainless Steel Body).....	16
4000SS..... (Stainless Steel Body).....	17
<b>Reduced Pressure Detector Assemblies</b>	
C-500 ..... (Stainless Steel Body).....	18-19
M-500..... (Stainless Steel Body).....	19-21
5000SS..... (Stainless Steel Body).....	21-22
<b>Miscellaneous Backflow Products</b>	
FFF/FPP ..... Irrigation galvanized Swing Spring Check Valve.....	23
ASCV..... Anti-siphon Check Valve.....	23
6000 HMB/ 4000 BLT ..... Hydrant Meter Backflow .....	23
<b>Miscellaneous Products</b>	
8000-F/8000-G . Stainless Steel Wye Strainers.....	24
7001/7002..... Basket Strainers.....	24
LFAFBV-FP ..... Gear Operated Slow-Close Ball Valve.....	24
AVS-C ..... Valve Setters .....	25
<b>Accessories</b>	
Air gaps .....	26
Elbows.....	26
Test cocks .....	26
Test Kit .....	26
Meters.....	26
Spools/Flanges.....	26

## Table of Contents — REPAIR KITS & PARTS

Series	Size	Page
<b>Single Check Valves</b>		
1000DCV .....	4" – 10"	28
1000SS DCV .....	4" – 10"	29
<b>Double Check Valve Assemblies, Double Check Detector Assemblies</b>		
200B .....	½" – 2"	30
2000B / LF2000B .....	½" – 2"	31
3000B .....	2"	32
C200, C300 / LFC300.....	2½" – 10"	33
C200(a), C300(a) .....	2½" – 6"	33
M200, M300 / LFM300.....	2½" – 10"	34
M200(a), M300(a) .....	2½" – 4"	34
2000SS, 3000SS.....	2½" – 6"	35
2000SE, 3000SE.....	6" and 8"	35
2000SS .....	8" – 12"	36
3000SS .....	8" – 12"	36
2001SS .....	3" – 8"	37
3001SS .....	3" – 8"	37
2000CIV .....	2½" – 3"	38
3000CIV .....	2½" – 3"	38
2000CIV .....	4" – 10"	39
3000CIV .....	4" – 10"	39
2000DCA.....	4" – 10"	40
3000DCDA.....	4" – 10"	40
2000DC.....	4" – 10"	41
3000DCDC.....	4" – 10"	41
<b>Reduced Pressure Zone Assemblies, Reduced Pressure Detector Assemblies</b>		
400B .....	¼" – 2"	42
4000B / LF4000B .....	½" – 2"	43
C400, C500 / LFC500 .....	2½" – 10"	44
M400, M500 / LFM500 .....	2½" – 10"	45
C400, C500 Relief Valve .....		46
4000SS .....	2½" – 6"	47
4000SS .....	8" – 10"	47
5000SS .....	2½" – 6"	47
4000CIV .....	2½" – 3"	48
4000CIV .....	4" – 10"	49
5000CIV .....	2½" – 10"	50-51
4000RP .....	4" – 10"	52
5000RPDA.....	4" – 10"	53
4000 Relief Valve .....	4" – 10"	54
<b>Miscellaneous</b>		
A200 .....	½" – 2"	55
FFF, FPP, ASCV.....	3" – 10"	56
<b>Accessories</b>		
Air Gaps .....		57
Elbows .....		57
Test Cocks.....		57
Test Kit .....		57
Meters.....		57
Ball Valves/Ball Valve Handle Kits.....		57
Butterfly Valves .....		57
Valve Stand .....		57
Gate Valves .....		58
Bypass Assemblies .....		59-60

- Freight Terms** All shipments are F.O.B. shipping point. Shipments from factory less than 1000 lbs. are F.O.B. factory. Factory shipments OF \$5000 net and over within the continental U.S.A. will be prepaid and allowed when made at the lowest motor carrier transportation rate.
- Terms of Sale** All sales are F.O.B. shipping point.
- Payment Terms** The invoices are due and payable 30 days from the date of invoice.
- Purchase Order Forms** Orders submitted on customers own purchase order forms will be accepted only with the express understanding that no statements, clauses, or conditions contained in said order form will be binding on the Seller if they in any way modify the Seller's own terms and conditions of sales.
- Stocking Wholesaler Minimum Charge** A minimum billing charge of \$100.00 applies to shipments F.O.B. factory. Stocking Wholesalers Customers are encouraged to order sufficient materials to avoid this charge which is necessitated by costs of processing small orders.
- Minimum Charge** A minimum billing charge of \$100.00 applies to shipments F.O.B. factory, necessitated by costs of processing small orders.
- Special Products** Orders for special or modified products are non-cancelable. In the event that the customer cancels an order for such products, Watts shall charge the customer an amount equal to Watts' costs and expenses incurred in performing the purchase order prior to receipt of notice of cancellation.
- Limited Warranty** Ames Fire & Waterworks (the "Company") warrants each product to be free from defects in material and workmanship under normal usage for a period of one year from the date of original shipment. In the event of such defects within the warranty period, the Company will, at its option, replace or recondition the product without charge.

**THE WARRANTY SET FORTH HEREIN IS GIVEN EXPRESSLY AND IS THE ONLY WARRANTY GIVEN BY THE COMPANY WITH RESPECT TO THE PRODUCT. THE COMPANY MAKES NO OTHER WARRANTIES, EXPRESS OR IMPLIED. THE COMPANY HEREBY SPECIFICALLY DISCLAIMS ALL OTHER WARRANTIES, EXPRESS OR IMPLIED, INCLUDING BUT NOT LIMITED TO THE IMPLIED WARRANTIES OF MERCHANTABILITY AND FITNESS FOR A PARTICULAR PURPOSE.**

The remedy described in the first paragraph of this warranty shall constitute the sole and exclusive remedy for breach of warranty, and the Company shall not be responsible for any incidental, special or consequential damages, including without limitation, lost profits or the cost of repairing or replacing other property which is damaged if this product does not work properly, other costs resulting from labor charges, delays, vandalism, negligence, fouling caused by foreign material, damage from adverse water conditions, chemical, or any other circumstances over which the Company has no control. This warranty shall be invalidated by any abuse, misuse, misapplication, improper installation or improper maintenance or alteration of the product. Some States do not allow limitations on how long an implied warranty lasts, and some States do not allow the exclusion or limitation of incidental or consequential damages. Therefore the above limitations may not apply to you. This Limited Warranty gives you specific legal rights, and you may have other rights that vary from State to State. You should consult applicable state laws to determine your rights. **SO FAR AS IS CONSISTENT WITH APPLICABLE STATE LAW, ANY IMPLIED WARRANTIES THAT MAY NOT BE DISCLAIMED, INCLUDING THE IMPLIED WARRANTIES OF MERCHANTABILITY AND FITNESS FOR A PARTICULAR PURPOSE, ARE LIMITED IN DURATION TO ONE YEAR FROM THE DATE OF ORIGINAL SHIPMENT.**

**Service Policy** For inoperative products beyond the warranty period, we assume no liability for replacement of valves due to service conditions beyond our control.

**Returned Goods** No material shall be returned without authorization. When credit is issued it will be at the price charged, or prevailing price if lower, less handling charges based on costs of reconditioning, boxing, etc. However, a minimum 25% handling charge will apply. A minimum handling charge of \$20.00 is applied whenever the 25% handling deduction does not total \$20.00. Products which are obsolete or made to special order are not returnable.

**Note** Prices and terms are subject to change without notice and supersede all previous quotations. The right is reserved to change or modify products design or construction without prior notice and without incurring any obligation to make such changes and modifications on products previously or subsequently sold.



# Single Detector Check Valves



4" – 6" 1000SS-DCV



8" – 10" 1000SS-DCV



1000-DCV

MODEL	ORDERING CODE	SIZE	QTY. PER CARTON	WEIGHT PER CARTON (LBS.)	LIST PRICE (EACH)
-------	---------------	------	-----------------	--------------------------	-------------------

**1000SS DCV - Stainless Steel Bodies, Drilled, tapped and plugged for right or left bypass line. 125# flanged end connections. \*UL/FM ♦UL**

1000SS-DCV♦	0690829	–	4"	1	54	\$ 1,574.00
1000SS-DCV♦	0690836	–	6"	1	86	2,327.00
1000SS-DCV*	0690869	–	8"	1	139	3,773.00
1000SS-DCV*	0690870	–	10"	1	161	6,856.00
1000SS-DCV w/bypass-CFM/GPM♦	0690972	0690831	4"	1	59	2,722.00
1000SS-DCV w/bypass-CFM/GPM♦	0690973	0690837	6"	1	91	3,674.00
1000SS-DCV w/bypass-CFM/GPM*	0691522	0691520	8"	1	160	5,525.00
1000SS-DCV w/bypass-CFM/GPM*	0691523	0691521	10"	1	174	9,556.00

**Less meter**

1000SS-DCV w/bypass-LM♦	0691702	–	4"	1	57	2,609.00
1000SS-DCV w/bypass-LM♦	0691703	–	6"	1	89	3,561.00
1000SS-DCV w/bypass-LM*	0691719	–	8"	1	158	5,412.00
1000SS-DCV w/bypass-LM*	0691720	–	10"	1	172	9,443.00

**1000 DCV - Fusion Bonded Epoxy Steel Bodies, Drilled, tapped and plugged for right or left bypass line. 125# flanged end connections. UL/FM.**

1000-DCV	0690264	–	4"	1	65	1,900.00
1000-DCV	0690265	–	6"	1	101	2,808.00
1000-DCV	0690266	–	8"	1	159	4,552.00
1000-DCV	0690267	–	10"	1	184	8,274.00
1000-DCV (Not UL/FM)	0691678	–	12"	1	190	12,222.00
1000-DCV w/bypass-CFM/GPM	0690871	0690312	4"	1	75	2,628.00
1000-DCV w/bypass-CFM/GPM	0690872	0690313	6"	1	111	3,548.00
1000-DCV w/bypass-CFM/GPM	0690873	0690314	8"	1	169	5,335.00
1000-DCV w/bypass-CFM/GPM	0690874	0690315	10"	1	194	9,226.00

**Less meter**

1000-DCV w/bypass-LM	7016184	–	4"	1	73	2,529.00
1000-DCV w/bypass-LM	7016185	–	6"	1	109	3,446.00
1000-DCV w/bypass-LM	7016186	–	8"	1	167	5,235.00
1000-DCV w/bypass-LM	7016187	–	10"	1	192	9,127.00

GPM - Gallons per minute  
 CPM - Cubic Feet per minute  
 LM - Less Meter



\*The wetted surface of this product contacted by consumable water contains less than 0.25% of lead by weight.

# Single Detector Check Valves and In-Building Risers



1005-DCV

MODEL	ORDERING CODE	SIZE	QTY. PER CARTON	WEIGHT PER CARTON (LBS.)	LIST PRICE (EACH)
-------	---------------	------	-----------------	--------------------------	-------------------

**1005 DCV - Fusion Bonded Epoxy Steel Bodies, Drilled, tapped and plugged for right or left bypass line. 125# flanged x Grooved end connections.**

1005-DCV	0690612	-	4"	1	61	\$ 1,957.00
1005-DCV	0690629	-	6"	1	96	2,890.00
1005-DCV w/bypass-CFM/GPM	0690952	0690613	4"	1	74	2,708.00
1005-DCV w/bypass-CFM/GPM	0690960	0690630	6"	1	101	3,655.00

**Less meter**

1005-DCV w/bypass-LM	0691558	-	4"	1	72	2,603.00
1005-DCV w/bypass-LM	0691559	-	6"	1	99	3,549.00

**1010 DCV - Fusion Bonded Epoxy Steel Bodies, Drilled, tapped and plugged for right or left bypass line. Groove x Groove end connections.**

1010-DCV	0690614	-	4"	1	63	1,957.00
1010-DCV	0690631	-	6"	1	96	2,890.00
1010-DCV w/bypass-CFM/GPM	0690953	0690615	4"	1	63	2,708.00
1010-DCV w/bypass-CFM/GPM	0690961	0690632	6"	1	101	3,655.00

**Less meter**

1010-DCV w/bypass-LM	7016189	-	4"	1	61	2,603.00
1010-DCV w/bypass-LM	7016190	-	6"	1	99	3,549.00

**1000 DCV - Cast Iron Bodies - Available with Flanged or Threaded end connections.**

1000-DCV-FLG	0690259	-	2"	1	31	1,694.00
1000-DCV-FLG w/bypass-CFM/GPM	0690868	0690257	1 1/2"	1	31	2,162.00
1000-DCV-FLG w/bypass-CFM/GPM	0691508	0690261	2"	1	38	2,065.00
1000-DCV-THD w/bypass-CFM/GPM	0691507	0690260	2"	1	38	2,065.00

**Less meter**

1000-DCV-FLG w/bypass-LM	7016181	-	1 1/2"	1	29	2,056.00
1000-DCV-FLG w/bypass-LM	0690263	-	2"	1	36	1,962.00
1000-DCV-THD w/bypass-LM	7016182	-	2"	1	36	1,962.00

**Cast Iron Silent Check Valves**

ACVW-125	0625600	-	2"	1	5	675.50
ACVW-125	0625601	-	2 1/2"	1	7	804.50
ACVW-125	0625602	-	3"	1	11	910.00
ACVW-125	0625603	-	4"	1	18	1,217.00
ACVW-125	0625604	-	5"	1	25	1,648.00
ACVW-125	0625605	-	6"	1	36	2,099.00
ACVW-125	0625606	-	8"	1	80	3,532.00
ACVW-125	0625607	-	10"	1	129	5,256.00

LEAD FREE\*

**In-Building Risers**

STAINLESS STEEL		UNIT WEIGHT					
LEAD FREE*	6' x 6' Grv x CIPS	0690970	-	4"	14	71	1,682.00
	6' x 6' Grv x CIPS	0690969	-	6"	10	98	2,435.00
	6' x 6' Grv x CIPS	0690968	-	8"	3	129	3,330.00
	6' x 6' Grv x CIPS	0690971	-	10"	2	202	5,128.00
STAINLESS STEEL		UNIT WEIGHT					
LEAD FREE*	6' x 6' Flg x CIPS	0691160	-	4"	12	71	1,682.00
	6' x 6' Flg x CIPS	0691161	-	6"	5	98	2,435.00
	6' x 6' Flg x CIPS	0691162	-	8"	3	129	3,330.00
	6' x 6' Flg x CIPS	0691163	-	10"	2	202	5,128.00

CIPS - Cast Iron Pipe Size

For modified lengths contact factory for pricing.



In-Building Risers

GPM - Gallons per minute  
 CPM - Cubic Feet per minute  
 LM - Less Meter



\*The wetted surface of this product contacted by consumable water contains less than 0.25% of lead by weight.

# Double Check Valve Assemblies

MODEL	ORDERING CODE	SIZE	QTY. PER CARTON	WEIGHT PER CARTON (LBS.)	LIST PRICE (EACH)
-------	---------------	------	-----------------	--------------------------	-------------------

## Double Check Valve Assembly - Bronze Body

### With Ball Valves

2000B	0062490	-	1/2"	1	3	\$ 299.50
2000B-M3	0062489	-	3/4"	1	7	338.50
2000B	0062492	-	1"	1	10	382.00
2000B	0062493	-	1 1/4"	1	23	562.50
2000B	0062494	-	1 1/2"	1	25	708.00
2000B	0062495	-	2"	1	26	792.50
LF2000B	0122630	-	1/2"	1	3	375.00
LF2000BM3	0425000	-	3/4"	1	7	422.50
LF2000BM1	0425001	-	1"	1	10	477.50
LF2000BM2	0425002	-	1 1/4"	1	23	701.00
LF2000BM2	0425003	-	1 1/2"	1	25	884.00
LF2000BM1	0425004	-	2"	1	26	990.50

### Less Ball Valves

2000B-LBV	0062472	-	1/2"	1	2	265.00
2000B-M3-LBV	0062538	-	3/4"	1	6	301.00
2000B-LBV	0062474	-	1"	1	8	340.50

### Less Ball Valves

LF2000BM3-LBV	0425005	-	3/4"	1	6	377.00
LF2000BM1-LBV	0425006	-	1"	1	8	424.00
LF2000BM2-LBV	0122629	-	1 1/4"	1	18	581.50
LF2000BM2-LBV	0425008	-	1 1/2"	1	20	683.50
LF2000BM1-LBV	0425009	-	2"	1	21	766.50

### With Inlet/Outlet Gear Operated Slow Close Isolation Valves

2000B-FP	0062540	-	1"	1	12.6	1,610.00
2000B-FP	0062541	-	1 1/4"	1	19.6	1,824.00
2000B-FP	0062542	-	1 1/2"	1	21.2	2,093.00
2000B-FP	0062543	-	2"	1	27.65	2,377.00

### With quarter-turn shutoff valves. Inlet/Outlet fire hydrant fittings (2 1/2" inlet female hose thread swivel x 2 1/2" outlet male NST)

2000B-HC	0691939	-	2"	1	31	4,516.00
----------	---------	---	----	---	----	----------



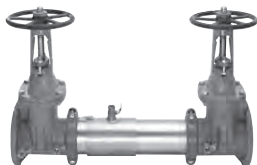
2000B/LF2000B

LEAD FREE\*



2000B-HC

# Double Check Valve Assemblies



C-200-OSY

MODEL	ORDERING CODE	SIZE	QTY. PER CARTON	WEIGHT PER CARTON (LBS.)	LIST PRICE (EACH)
-------	---------------	------	-----------------	--------------------------	-------------------

## Double Check Valve Assembly - Stainless Steel Body

### With OSY resilient seated shutoff valves

LEAD FREE*	C-200-OSY	0191198	-	2 1/2"	1	125	\$ 2,738.00
	C-200-OSY	0191199	-	3"	1	145	2,785.00
	C-200-OSY	0191200	-	4"	1	161	3,292.00
	C-200-OSY	0191201	-	6"	1	295	5,138.00
	C-200-OSY	0191202	-	8"	1	480	10,152.00
	C-200-OSY	0191203	-	10"	1	781	16,042.00

### N-Pattern with OSY resilient seated shutoff valves

LEAD FREE*	C-200N-OSY	0191204	-	2 1/2"	1	133	2,952.00
	C-200N-OSY	0191205	-	3"	1	158	3,013.00
	C-200N-OSY	0191206	-	4"	1	184	3,596.00
	C-200N-OSY	0191207	-	6"	1	336	5,726.00
	C-200N-OSY	0191208	-	8"	1	555	11,272.00
	C-200N-OSY	0191209	-	10"	1	950	18,878.00

## Double Check Valve Assemblies - Stainless Steel Body

### With NRS resilient seated shutoff valves

LEAD FREE*	C-200-NRS	0191210	-	2 1/2"	1	115	2,924.00
	C-200-NRS	0191211	-	3"	1	131	2,953.00
	C-200-NRS	0191212	-	4"	1	161	3,455.00
	C-200-NRS	0191213	-	6"	1	273	5,556.00
	C-200-NRS	0191214	-	8"	1	438	11,134.00
	C-200-NRS	0191215	-	10"	1	721	15,665.00

### N-Pattern with NRS resilient seated shutoff valves

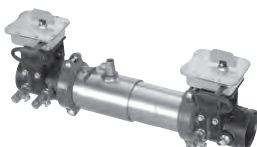
LEAD FREE*	C-200N-NRS	0191216	-	2 1/2"	1	123	3,159.00
	C-200N-NRS	0191217	-	3"	1	144	3,198.00
	C-200N-NRS	0191218	-	4"	1	184	3,789.00
	C-200N-NRS	0191219	-	6"	1	314	6,202.00
	C-200N-NRS	0191220	-	8"	1	513	12,365.00
	C-200N-NRS	0191221	-	10"	1	891	18,706.00

### With gear operated, UL/FM Butterfly valves

LEAD FREE*	C-200-BFG	0191222	-	2 1/2"	1	56	3,112.00
	C-200-BFG	0191223	-	3"	1	54	3,163.00
	C-200-BFG	0191224	-	4"	1	61	3,679.00
	C-200-BFG	0191225	-	6"	1	150	5,576.00
	C-200-BFG	0191419	-	8"	1	400	10,703.00

### N-Pattern with gear operated, UL/FM Butterfly valves

LEAD FREE*	C-200N-BFG	0191226	-	2 1/2"	1	64	3,348.00
	C-200N-BFG	0191227	-	3"	1	67	3,410.00
	C-200N-BFG	0191228	-	4"	1	84	4,008.00
	C-200N-BFG	0191229	-	6"	1	157	6,192.00
	C-200N-BFG	0191420	-	8"	1	337	11,860.00



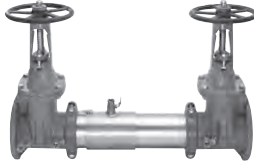
C-200-BFG



C-200N-BFG



# Double Check Valve Assemblies



M-200-OSY

MODEL	ORDERING CODE	SIZE	QTY. PER CARTON	WEIGHT PER CARTON (LBS.)	LIST PRICE (EACH)
-------	---------------	------	-----------------	--------------------------	-------------------

## Double Check Valve Assemblies - Stainless Steel Body

### With OSY resilient seated shutoff valves

LEAD FREE*	M-200-OSY	0191000	-	2 1/2"	1	125	\$ 3,686.00
	M-200-OSY	0191001	-	3"	1	145	3,869.00
	M-200-OSY	0191002	-	4"	1	219	4,570.00
	M-200-OSY	0191003	-	6"	1	389	7,182.00
	M-200-OSY	0191004	-	8"	1	564	13,846.00
	M-200-OSY	0191005	-	10"	1	780	23,718.00

### N-Pattern with OSY resilient seated shutoff valves

LEAD FREE*	M-200N-OSY	0191006	-	2 1/2"	1	133	4,053.00
	M-200N-OSY	0191007	-	3"	1	158	4,136.00
	M-200N-OSY	0191008	-	4"	1	242	4,939.00
	M-200N-OSY	0191009	-	6"	1	430	7,865.00
	M-200N-OSY	0191010	-	8"	1	640	15,480.00
	M-200N-OSY	0191011	-	10"	1	951	25,933.00

### With NRS resilient seated shutoff valves

LEAD FREE*	M-200-NRS	0191012	-	2 1/2"	1	115	3,548.00
	M-200-NRS	0191013	-	3"	1	131	3,844.00
	M-200-NRS	0191014	-	4"	1	219	4,323.00
	M-200-NRS	0191015	-	6"	1	368	6,948.00
	M-200-NRS	0191016	-	8"	1	522	13,697.00
	M-200-NRS	0191017	-	10"	1	761	19,086.00

### N-Pattern with NRS resilient seated shutoff valves

LEAD FREE*	M-200N-NRS	0191018	-	2 1/2"	1	123	3,903.00
	M-200N-NRS	0191019	-	3"	1	144	3,952.00
	M-200N-NRS	0191020	-	4"	1	242	4,684.00
	M-200N-NRS	0191021	-	6"	1	408	7,666.00
	M-200N-NRS	0191022	-	8"	1	598	15,285.00
	M-200N-NRS	0191023	-	10"	1	891	23,128.00

### With gear operated, UL/FM Butterfly valves

LEAD FREE*	M-200-BFG	0191024	-	2 1/2"	1	56	4,544.00
	M-200-BFG	0191025	-	3"	1	54	4,749.00
	M-200-BFG	0191026	-	4"	1	119	5,524.00
	M-200-BFG	0191027	-	6"	1	211	8,440.00
	M-200-BFG	0191425	-	8"	1	345	15,845.00



M-200-BFG

### N-Pattern with gear operated, UL/FM Butterfly valves

LEAD FREE*	M-200N-BFG	0191028	-	2 1/2"	1	64	5,455.00
	M-200N-BFG	0191029	-	3"	1	67	5,557.00
	M-200N-BFG	0191030	-	4"	1	142	6,541.00
	M-200N-BFG	0191031	-	6"	1	251	10,128.00
	M-200N-BFG	0191426	-	8"	1	421	19,437.00

# Double Check Valve Assemblies

MODEL	ORDERING CODE	SIZE	QTY. PER CARTON	WEIGHT PER CARTON (LBS.)	LIST PRICE (EACH)
-------	---------------	------	-----------------	--------------------------	-------------------

## Double Check Valve Assemblies - Stainless Steel Body

### Less shutoff valves

LEAD FREE*	2000SS-LG	0690471	-	2 1/2"	1	45	\$ 2,193.00
	2000SS-LG	0690480	-	3"	1	50	2,115.00
	2000SS-LG	0690489	-	4"	1	75	2,673.00
	2000SS-LG	0690499	-	6"	1	112	4,410.00
	2000SS-LG	0690452	-	8"	1	205	9,391.00
	2000SS-LG	0690529	-	10"	1	220	12,123.00
	2000SS-LG	0690562	-	12"	1	240	17,084.00

### With OSY resilient seated shutoff valves

LEAD FREE*	2000SS-OSY	0690472	-	2 1/2"	1	198	3,337.00
	2000SS-OSY	0690481	-	3"	1	235	3,481.00
	2000SS-OSY	0690490	-	4"	1	301	4,137.00
	2000SS-OSY	0690500	-	6"	1	458	6,504.00
	2000SS-OSY	0690453	-	8"	1	720	12,538.00
	2000SS-OSY	0690530	-	10"	1	1080	17,599.00
	2000SS-DOSY	0690563	-	12"	1	1440	24,020.00

### With NRS resilient seated shutoff valves

LEAD FREE*	2000SS-NRS	0690473	-	2 1/2"	1	195	3,311.00
	2000SS-NRS	0690482	-	3"	1	230	3,608.00
	2000SS-NRS	0690491	-	4"	1	293	4,034.00
	2000SS-NRS	0690501	-	6"	1	458	6,483.00
	2000SS-NRS	0690454	-	8"	1	710	12,779.00
	2000SS-NRS	0690531	-	10"	1	1080	17,288.00
	2000SS-DNRS	0690564	-	12"	1	1440	22,640.00

### With OSY resilient seated shutoff valves - Groove Inlet x Groove Outlet

LEAD FREE*	2000SS-DOSY-GxG	0690770	-	2 1/2"	1	198	3,337.00
	2000SS-DOSY-GxG	0690773	-	3"	1	235	3,481.00
	2000SS-DOSY-GxG	0690776	-	4"	1	301	4,137.00
	2000SS-DOSY-GxG	0690779	-	6"	1	458	6,504.00
	2000SS-DOSY-GxG	0690782	-	8"	1	720	12,538.00
	2000SS-DOSY-GxG	0690785	-	10"	1	1080	17,599.00

### With OSY resilient seated shutoff valves - Groove Inlet x Flange Outlet

LEAD FREE*	2000SS-DOSY-GxF	0690771	-	2 1/2"	1	198	3,337.00
	2000SS-DOSY-GxF	0690774	-	3"	1	235	3,481.00
	2000SS-DOSY-GxF	0690777	-	4"	1	301	4,137.00
	2000SS-DOSY-GxF	0690780	-	6"	1	458	6,504.00
	2000SS-DOSY-GxF	0690783	-	8"	1	720	12,538.00
	2000SS-DOSY-GxF	0690786	-	10"	1	1080	17,599.00

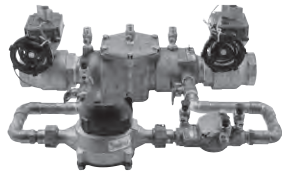
### With OSY resilient seated shutoff valves - Flange Inlet x Groove Outlet

LEAD FREE*	2000SS-DOSY-FxG	0690772	-	2 1/2"	1	198	3,337.00
	2000SS-DOSY-FxG	0690775	-	3"	1	235	3,481.00
	2000SS-DOSY-FxG	0690778	-	4"	1	301	4,137.00
	2000SS-DOSY-FxG	0690781	-	6"	1	458	6,504.00
	2000SS-DOSY-FxG	0690784	-	8"	1	720	12,538.00
	2000SS-DOSY-FxG	0690787	-	10"	1	1080	17,599.00

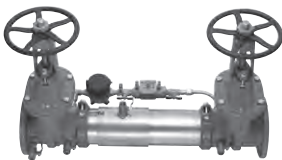


2000SS-OSY

# Double Check Valve Assemblies



3000BM1-FP



C-300-OSY



C-300N-OSY

MODEL	ORDERING CODE	SIZE	QTY. PER CARTON	WEIGHT PER CARTON (LBS.)	LIST PRICE (EACH)
-------	---------------	------	-----------------	--------------------------	-------------------

## Double Check Detector Assemblies - Bronze Body

3000BM1-OSY-CFM/GPM	0696040	0696041	2"	1	155	\$ 5,633.00
---------------------	---------	---------	----	---	-----	-------------

### Less meter

3000BM1-OSY-LM	0696042	-	2"	1	153	5,544.00
----------------	---------	---	----	---	-----	----------

### With Inlet/Outlet Gear Operated Slow Close Isolation Valves

3000BM1-FPCFM/GPM	0696046	0696047	2"	1	125	3,689.00
-------------------	---------	---------	----	---	-----	----------

## Double Check Detector Assemblies - Stainless Steel Body

### With NRS resilient seated shutoff valves

C-300-NRS-CFM/GPM	0191435	0191440	2 1/2"	1	129	3,726.00
-------------------	---------	---------	--------	---	-----	----------

C-300-NRS-CFM/GPM	0191436	0191441	3"	1	145	4,102.00
-------------------	---------	---------	----	---	-----	----------

C-300-NRS-CFM/GPM	0191437	0191442	4"	1	175	4,768.00
-------------------	---------	---------	----	---	-----	----------

C-300-NRS-CFM/GPM	0191438	0191443	6"	1	287	6,115.00
-------------------	---------	---------	----	---	-----	----------

C-300-NRS-CFM/GPM	0191439	0191444	8"	1	452	11,097.00
-------------------	---------	---------	----	---	-----	-----------

### With OSY resilient seated shutoff valves

C-300-OSY-CFM/GPM	0191230	0191236	2 1/2"	1	139	3,938.00
-------------------	---------	---------	--------	---	-----	----------

C-300-OSY-CFM/GPM	0191231	0191237	3"	1	159	4,345.00
-------------------	---------	---------	----	---	-----	----------

C-300-OSY-CFM/GPM	0191232	0191238	4"	1	175	5,033.00
-------------------	---------	---------	----	---	-----	----------

C-300-OSY-CFM/GPM	0191233	0191239	6"	1	309	6,377.00
-------------------	---------	---------	----	---	-----	----------

C-300-OSY-CFM/GPM	0191234	0191240	8"	1	494	10,973.00
-------------------	---------	---------	----	---	-----	-----------

C-300-OSY-CFM/GPM	0191235	0191241	10"	1	795	16,124.00
-------------------	---------	---------	-----	---	-----	-----------

LFC300-OSY-CFM/GPM	0124557	0124563	2 1/2"	1	139	4,237.00
--------------------	---------	---------	--------	---	-----	----------

LFC300-OSY-CFM/GPM	0124558	0124564	3"	1	159	4,674.00
--------------------	---------	---------	----	---	-----	----------

LFC300-OSY-CFM/GPM	0124559	0124565	4"	1	175	5,408.00
--------------------	---------	---------	----	---	-----	----------

LFC300-OSY-CFM/GPM	0124560	0124566	6"	1	309	6,856.00
--------------------	---------	---------	----	---	-----	----------

LFC300-OSY-CFM/GPM	0124561	0124567	8"	1	494	11,800.00
--------------------	---------	---------	----	---	-----	-----------

LFC300-OSY-CFM/GPM	0124562	0124568	10"	1	795	17,332.00
--------------------	---------	---------	-----	---	-----	-----------

### N-Pattern with OSY resilient seated shutoff valves

C-300N-OSY-CFM/GPM	0191242	0191248	2 1/2"	1	147	4,213.00
--------------------	---------	---------	--------	---	-----	----------

C-300N-OSY-CFM/GPM	0191243	0191249	3"	1	172	4,648.00
--------------------	---------	---------	----	---	-----	----------

C-300N-OSY-CFM/GPM	0191244	0191250	4"	1	198	5,427.00
--------------------	---------	---------	----	---	-----	----------

C-300N-OSY-CFM/GPM	0191245	0191251	6"	1	350	7,025.00
--------------------	---------	---------	----	---	-----	----------

C-300N-OSY-CFM/GPM	0191246	0191252	8"	1	569	12,131.00
--------------------	---------	---------	----	---	-----	-----------

C-300N-OSY-CFM/GPM	0191247	0191253	10"	1	965	18,960.00
--------------------	---------	---------	-----	---	-----	-----------

LFC300N-OSY-CFM/GPM	0124569	0124574	2 1/2"	1	147	4,531.00
---------------------	---------	---------	--------	---	-----	----------

LFC300N-OSY-CFM/GPM	0425156	0124575	3"	1	172	5,649.00
---------------------	---------	---------	----	---	-----	----------

LFC300N-OSY-CFM/GPM	0124570	0124576	4"	1	198	5,832.00
---------------------	---------	---------	----	---	-----	----------

LFC300N-OSY-CFM/GPM	0124571	0124577	6"	1	350	7,552.00
---------------------	---------	---------	----	---	-----	----------

LFC300N-OSY-CFM/GPM	0124572	0124578	8"	1	569	13,042.00
---------------------	---------	---------	----	---	-----	-----------

LFC300N-OSY-CFM/GPM	0124573	0425166	10"	1	965	20,382.00
---------------------	---------	---------	-----	---	-----	-----------

### With gear operated, UL/FM Butterfly valves

C-300-BFG-CFM/GPM	0191254	0191258	2 1/2"	1	70	4,249.00
-------------------	---------	---------	--------	---	----	----------

C-300-BFG-CFM/GPM	0191255	0191259	3"	1	68	4,654.00
-------------------	---------	---------	----	---	----	----------

C-300-BFG-CFM/GPM	0191256	0191260	4"	1	75	5,340.00
-------------------	---------	---------	----	---	----	----------

C-300-BFG-CFM/GPM	0191257	0191261	6"	1	175	6,692.00
-------------------	---------	---------	----	---	-----	----------

C-300-BFG-CFM/GPM	0191421	0191422	8"	1	275	11,290.00
-------------------	---------	---------	----	---	-----	-----------

LFC300-BFG-CFM/GPM	0124579	0124583	2 1/2"	1	70	4,567.00
--------------------	---------	---------	--------	---	----	----------

LFC300-BFG-CFM/GPM	0124580	0124584	3"	1	68	5,002.00
--------------------	---------	---------	----	---	----	----------

LFC300-BFG-CFM/GPM	0124581	0124585	4"	1	75	5,740.00
--------------------	---------	---------	----	---	----	----------

LFC300-BFG-CFM/GPM	0124582	0124586	6"	1	175	7,194.00
--------------------	---------	---------	----	---	-----	----------

LFC300-BFG-CFM/GPM	0124595	0124596	8"	1	275	12,136.00
--------------------	---------	---------	----	---	-----	-----------

(LM) = Less Meter  
(CFM) = Cubic Feet Meter  
(GPM) = Gallons Per Minute Meter



\*The wetted surface of this product contacted by consumable water contains less than 0.25% of lead by weight.

# Double Check Detector Assemblies



**C-300-BFG**

MODEL	ORDERING CODE	SIZE	QTY. PER CARTON	WEIGHT PER CARTON (LBS.)	LIST PRICE (EACH)
-------	---------------	------	-----------------	--------------------------	-------------------

## Double Check Detector assemblies - Stainless Steel Body

### N-Pattern with gear operated, UL/FM Butterfly valves

LEAD FREE*	C-300N-BFG-CFM/GPM	0191262	0191266	2 1/2"	1	78	\$ 4,540.00
	C-300N-BFG-CFM/GPM	0191263	0191267	3"	1	81	4,973.00
	C-300N-BFG-CFM/GPM	0191264	0191268	4"	1	98	5,749.00
	C-300N-BFG-CFM/GPM	0191265	0191269	6"	1	171	7,356.00
	C-300N-BFG-CFM/GPM	0191423	0191424	8"	1	351	12,464.00
	LFC300N-BFG-CFM/GPM	0124587	0124591	2 1/2"	1	78	4,881.00
	LFC300N-BFG-CFM/GPM	0124588	0124592	3"	1	81	5,346.00
	LFC300N-BFG-CFM/GPM	0124589	0124593	4"	1	98	6,182.00
	LFC300N-BFG-CFM/GPM	0124590	0124594	6"	1	171	7,910.00
	LFC300N-BFG-CFM/GPM	0124597	0124598	8"	1	351	13,399.00

### With NRS resilient seated shutoff valves and less meter

C-300-NRS-LM	0206555	-	2 1/2"	1	127	3,635.00
C-300-NRS-LM	0206556	-	3"	1	143	4,010.00
C-300-NRS-LM	0206557	-	4"	1	173	4,679.00
C-300-NRS-LM	0206558	-	6"	1	285	6,022.00
C-300-NRS-LM	0206559	-	8"	1	450	11,007.00

### With OSY resilient seated shutoff valves and less meter

LEAD FREE*	C-300-OSY-LM	0206560	-	2 1/2"	1	137	3,848.00
	C-300-OSY-LM	0206561	-	3"	1	157	4,253.00
	C-300-OSY-LM	0206562	-	4"	1	173	4,939.00
	C-300-OSY-LM	0206563	-	6"	1	307	6,284.00
	C-300-OSY-LM	0206564	-	8"	1	492	10,882.00
	C-300-OSY-LM	0206565	-	10"	1	793	16,031.00
	LFC300-OSY-LM	0124616	-	2 1/2"	1	137	4,138.00
	LFC300-OSY-LM	0425150	-	3"	1	157	5,167.00
	LFC300-OSY-LM	0124617	-	4"	1	173	5,309.00
	LFC300-OSY-LM	0124618	-	6"	1	307	6,759.00
LFC300-OSY-LM	0124619	-	8"	1	492	11,699.00	
LFC300-OSY-LM	0124620	-	10"	1	793	17,232.00	

### N-Pattern with OSY resilient seated shutoff valves and less meter

LEAD FREE*	C-300N-OSY-LM	0206566	-	2 1/2"	1	145	4,120.00
	C-300N-OSY-LM	0206567	-	3"	1	170	4,552.00
	C-300N-OSY-LM	0206568	-	4"	1	196	5,331.00
	C-300N-OSY-LM	0206569	-	6"	1	348	6,930.00
	C-300N-OSY-LM	0206570	-	8"	1	567	12,034.00
	C-300N-OSY-LM	0206571	-	10"	1	963	18,865.00
	LFC300N-OSY-LM	0425167	-	2 1/2"	1	145	5,002.00
	LFC300N-OSY-LM	0425168	-	3"	1	170	5,529.00
	LFC300N-OSY-LM	0425169	-	4"	1	196	6,473.00
	LFC300N-OSY-LM	0425170	-	6"	1	348	8,417.00
LFC300N-OSY-LM	0425171	-	8"	1	567	12,936.00	
LFC300N-OSY-LM	0425172	-	10"	1	963	20,278.00	

### With gear operated, UL/FM Butterfly valves and less meter

LEAD FREE*	C-300-BFG-LM	0206572	-	2 1/2"	1	68	4,158.00
	C-300-BFG-LM	0206573	-	3"	1	66	4,561.00
	C-300-BFG-LM	0206574	-	4"	1	73	5,247.00
	C-300-BFG-LM	0206575	-	6"	1	129	6,601.00
	C-300-BFG-LM	0206576	-	8"	1	273	11,197.00
	LFC300-BFG-LM	0124621	-	2 1/2"	1	68	4,468.00
	LFC300-BFG-LM	0124622	-	3"	1	66	4,906.00
	LFC300-BFG-LM	0124623	-	4"	1	73	5,640.00
	LFC300-BFG-LM	0124624	-	6"	1	129	7,099.00
	LFC300-BFG-LM	0124625	-	8"	1	273	12,039.00

(LM) = Less Meter  
(CFM) = Cubic Feet Meter  
(GPM) = Gallons Per Minute Meter

# Double Check Detector Assemblies

MODEL	ORDERING CODE	SIZE	QTY. PER CARTON	WEIGHT PER CARTON (LBS.)	LIST PRICE (EACH)
-------	---------------	------	-----------------	--------------------------	-------------------

## N-Pattern with gear operated, UL/FM Butterfly valves and less meter

C-300N-BFG-LM	0206577	–	2 1/2"	1	76	\$ 4,442.00
C-300N-BFG-LM	0206578	–	3"	1	79	4,876.00
C-300N-BFG-LM	0206579	–	4"	1	96	5,653.00
C-300N-BFG-LM	0206580	–	6"	1	169	7,261.00
C-300N-BFG-LM	0206581	–	8"	1	349	12,365.00

## Double Check Detector Assemblies - Stainless Steel Body

### With OSY resilient seated shutoff valves

M-300-OSY-CFM/GPM	0191032	0191038	2 1/2"	1	139	4,904.00
M-300-OSY-CFM/GPM	0191033	0191039	3"	1	159	5,586.00
M-300-OSY-CFM/GPM	0191034	0191040	4"	1	233	7,242.00
M-300-OSY-CFM/GPM	0191035	0191041	6"	1	404	7,684.00
M-300-OSY-CFM/GPM	0191036	0191042	8"	1	578	13,903.00
M-300-OSY-CFM/GPM	0191037	0191043	10"	1	795	19,944.00
LFM300-OSY-CFM/GPM	0124338	0124344	2 1/2"	1	139	5,198.00
LFM300-OSY-CFM/GPM	0124339	0124345	3"	1	159	5,924.00
LFM300-OSY-CFM/GPM	0124340	0124346	4"	1	233	7,676.00
LFM300-OSY-CFM/GPM	0124341	0124347	6"	1	404	8,144.00
LFM300-OSY-CFM/GPM	0124342	0124348	8"	1	578	14,739.00
LFM300-OSY-CFM/GPM	0124343	0124349	10"	1	795	21,143.00

### N-Pattern with OSY resilient seated shutoff valves

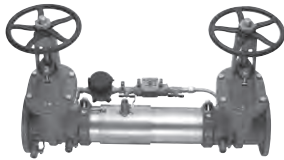
M-300N-OSY-CFM/GPM	0191044	0191050	2 1/2"	1	147	5,206.00
M-300N-OSY-CFM/GPM	0191045	0191051	3"	1	172	5,742.00
M-300N-OSY-CFM/GPM	0191046	0191052	4"	1	256	6,703.00
M-300N-OSY-CFM/GPM	0191047	0191053	6"	1	444	8,678.00
M-300N-OSY-CFM/GPM	0191048	0191054	8"	1	654	14,987.00
M-300N-OSY-CFM/GPM	0191049	0191055	10"	1	965	23,425.00
LFM300N-OSY-CFM/GPM	0124350	0124356	2 1/2"	1	147	5,520.00
LFM300N-OSY-CFM/GPM	0124351	0124357	3"	1	172	6,087.00
LFM300N-OSY-CFM/GPM	0124352	0124358	4"	1	256	7,107.00
LFM300N-OSY-CFM/GPM	0124353	0124359	6"	1	444	9,199.00
LFM300N-OSY-CFM/GPM	0124354	0124360	8"	1	654	15,888.00
LFM300N-OSY-CFM/GPM	0124355	0124361	10"	1	965	24,830.00

### With gear operated, UL/FM Butterfly valves

M-300-BFG-CFM/GPM	0191056	0191060	2 1/2"	1	71	5,268.00
M-300-BFG-CFM/GPM	0191057	0191061	3"	1	68	5,950.00
M-300-BFG-CFM/GPM	0191058	0191062	4"	1	133	7,604.00
M-300-BFG-CFM/GPM	0191059	0191063	6"	1	225	8,054.00
M-300-BFG-CFM/GPM	0191427	0191428	8"	1	211	14,276.00
LFM300-BFG-CFM/GPM	0124362	0124366	2 1/2"	1	71	5,584.00
LFM300-BFG-CFM/GPM	0124363	0124367	3"	1	68	6,308.00
LFM300-BFG-CFM/GPM	0124364	0124368	4"	1	133	8,062.00
LFM300-BFG-CFM/GPM	0124365	0124369	6"	1	225	8,537.00
LFM300-BFG-CFM/GPM	0124378	0124379	8"	1	211	15,135.00

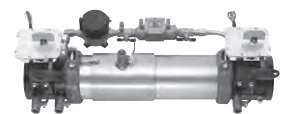
### N-Pattern with gear operated, UL/FM Butterfly valves

M-300N-BFG-CFM/GPM	0191068	0191064	2 1/2"	1	78	5,577.00
M-300N-BFG-CFM/GPM	0191069	0191065	3"	1	81	6,115.00
M-300N-BFG-CFM/GPM	0191070	0191066	4"	1	156	7,072.00
M-300N-BFG-CFM/GPM	0191071	0191067	6"	1	265	9,059.00
M-300N-BFG-CFM/GPM	0191429	0191430	8"	1	435	15,366.00
LFM300N-BFG-CFM/GPM	0124374	0124370	2 1/2"	1	78	5,912.00
LFM300N-BFG-CFM/GPM	0124375	0124371	3"	1	81	6,484.00
LFM300N-BFG-CFM/GPM	0124376	0124372	4"	1	156	7,498.00
LFM300N-BFG-CFM/GPM	0124377	0124373	6"	1	265	9,603.00
LFM300N-BFG-CFM/GPM	0124380	0124381	8"	1	435	16,285.00



M-300-OSY

LEAD FREE



M-300-BFG

LEAD FREE

(LM) = Less Meter  
(CFM) = Cubic Feet Meter  
(GPM) = Gallons Per Minute Meter

LEAD FREE



\*The wetted surface of this product contacted by consumable water contains less than 0.25% of lead by weight.

# Double Check Detector Assemblies

MODEL	ORDERING CODE	SIZE	QTY. PER CARTON	WEIGHT PER CARTON (LBS.)	LIST PRICE (EACH)
-------	---------------	------	-----------------	--------------------------	-------------------

## Double Check Detector Assemblies - Stainless Steel Body

### With OSY resilient seated shutoff valves and less meter

M 300-OSY-LM	0206598	-	2 1/2"	1	137	\$ 4,797.00
M 300-OSY-LM	0206599	-	3"	1	157	5,480.00
M 300-OSY-LM	0206600	-	4"	1	231	7,134.00
M 300-OSY-LM	0206601	-	6"	1	402	7,573.00
M 300-OSY-LM	0206602	-	8"	1	576	13,794.00
M 300-OSY-LM	0206603	-	10"	1	793	19,838.00
<b>LEAD FREE</b> LFM300-OSY-LM	0124404	-	2 1/2"	1	137	5,083.00
<b>LEAD FREE</b> LFM300-OSY-LM	0124405	-	3"	1	157	5,808.00
<b>LEAD FREE</b> LFM300-OSY-LM	0124406	-	4"	1	231	7,564.00
<b>LEAD FREE</b> LFM300-OSY-LM	0124407	-	6"	1	402	8,028.00
<b>LEAD FREE</b> LFM300-OSY-LM	0124408	-	8"	1	576	14,621.00
<b>LEAD FREE</b> LFM300-OSY-LM	0124409	-	10"	1	793	21,030.00

### N-Pattern with OSY resilient seated shutoff valves and less meter

M 300N-OSY-LM	0206604	-	2 1/2"	1	145	5,098.00
M 300N-OSY-LM	0206605	-	3"	1	170	5,631.00
M 300N-OSY-LM	0206606	-	4"	1	254	6,592.00
M 300N-OSY-LM	0206607	-	6"	1	442	8,570.00
M 300N-OSY-LM	0206608	-	8"	1	652	14,876.00
M 300N-OSY-LM	0206609	-	10"	1	963	23,316.00
<b>LEAD FREE</b> LFM300N-OSY-LM	0124410	-	2 1/2"	1	145	5,403.00
<b>LEAD FREE</b> LFM300N-OSY-LM	0124411	-	3"	1	170	5,972.00
<b>LEAD FREE</b> LFM300N-OSY-LM	0124412	-	4"	1	254	6,990.00
<b>LEAD FREE</b> LFM300N-OSY-LM	0124413	-	6"	1	442	9,084.00
<b>LEAD FREE</b> LFM300N-OSY-LM	0124414	-	8"	1	652	15,767.00
<b>LEAD FREE</b> LFM300N-OSY-LM	0124415	-	10"	1	963	24,717.00

### With gear operated, UL/FM Butterfly valves and less meter

M 300-BFG-LM	0206610	-	2 1/2"	1	69	5,159.00
M 300-BFG-LM	0206611	-	3"	1	66	5,840.00
M 300-BFG-LM	0206612	-	4"	1	131	7,497.00
M 300-BFG-LM	0206613	-	6"	1	223	7,947.00
M 300-BFG-LM	0206614	-	8"	1	209	14,167.00
<b>LEAD FREE</b> LFM300-BFG-LM	0124416	-	2 1/2"	1	69	5,471.00
<b>LEAD FREE</b> LFM300-BFG-LM	0124417	-	3"	1	66	6,192.00
<b>LEAD FREE</b> LFM300-BFG-LM	0124418	-	4"	1	131	7,947.00
<b>LEAD FREE</b> LFM300-BFG-LM	0124419	-	6"	1	223	8,424.00
<b>LEAD FREE</b> LFM300-BFG-LM	0124420	-	8"	1	209	15,017.00

### N-Pattern with gear operated, UL/FM Butterfly valves and less meter

M 300N-BFG-LM	0206615	-	2 1/2"	1	76	5,469.00
M 300N-BFG-LM	0206616	-	3"	1	79	6,005.00
M 300N-BFG-LM	0206617	-	4"	1	154	6,965.00
M 300N-BFG-LM	0206618	-	6"	1	263	8,949.00
M 300N-BFG-LM	0206619	-	8"	1	433	15,257.00
<b>LEAD FREE</b> LFM300N-BFG-LM	0124421	-	2 1/2"	1	76	5,796.00
<b>LEAD FREE</b> LFM300N-BFG-LM	0124422	-	3"	1	79	6,364.00
<b>LEAD FREE</b> LFM300N-BFG-LM	0124423	-	4"	1	154	7,384.00
<b>LEAD FREE</b> LFM300N-BFG-LM	0124424	-	6"	1	263	9,485.00
<b>LEAD FREE</b> LFM300N-BFG-LM	0124425	-	8"	1	433	16,172.00

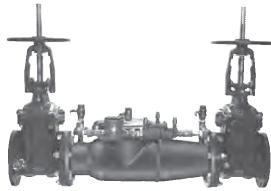


M-300N-BFG

(LM) = Less Meter  
 (CFM) = Cubic Feet Meter  
 (GPM) = Gallons Per Minute Meter

# Double Check Detector Assemblies

MODEL	ORDERING CODE	SIZE	QTY. PER CARTON	WEIGHT PER CARTON (LBS.)	LIST PRICE (EACH)	
<b>Double Check Detector Assemblies - Stainless Steel Body</b>						
<b>Less shutoff valves</b>						
3000SS-LG-CFM/GPM	0691052	0690474	2 1/2"	1	50	\$ 3,711.00
3000SS-LG-CFM/GPM	0691053	0690483	3"	1	55	3,758.00
3000SS-LG-CFM/GPM	0691680	0690492	4"	1	85	4,432.00
3000SS-LG-CFM/GPM	0690927	0690502	6"	1	124	5,581.00
3000SS-LG-CFM/GPM	0690897	0690457	8"	1	215	10,386.00
3000SS-LG-CFM/GPM	0690934	0690532	10"	1	225	13,364.00
3000SS-LG-CFM/GPM	0690948	0690565	12"	1	248	17,552.00
<b>Less shutoff valves, less meter</b>						
3000SS-LG-LM	0691577	-	2 1/2"	1	48	3,626.00
3000SS-LG-LM	0691580	-	3"	1	53	3,676.00
3000SS-LG-LM	0691583	-	4"	1	83	4,347.00
3000SS-LG-LM	0691544	-	6"	1	121	5,500.00
3000SS-LG-LM	0691541	-	8"	1	213	10,302.00
3000SS-LG-LM	0691550	-	10"	1	223	13,279.00
3000SS-LG-LM	0691554	-	12"	1	246	17,469.00
<b>With OSY resilient seated shutoff valves</b>						
3000SS-OSY-CFM/GPM	0690980	0690475	2 1/2"	1	212	4,821.00
3000SS-OSY-CFM/GPM	0690984	0690484	3"	1	248	5,033.00
3000SS-OSY-CFM/GPM	0690988	0690493	4"	1	308	5,827.00
3000SS-OSY-CFM/GPM	0690928	0690503	6"	1	468	7,552.00
3000SS-OSY-CFM/GPM	0690898	0690458	8"	1	732	13,669.00
3000SS-OSY-CFM/GPM	0690935	0690533	10"	1	1090	18,679.00
3000SS-DOSY-CFM/GPM	0690949	0690566	12"	1	1450	24,100.00
<b>With OSY resilient seated shutoff valves - Groove Inlet x Groove Outlet</b>						
3000SS-DOSY GxG CFM/GPM	0696000	0696001	2 1/2"	1	212	4,821.00
3000SS-DOSY GxG CFM/GPM	0696006	0696007	3"	1	248	5,033.00
3000SS-DOSY GxG CFM/GPM	0696012	0696013	4"	1	308	5,827.00
3000SS-DOSY GxG CFM/GPM	0696018	0696019	6"	1	468	7,552.00
3000SS-DOSY GxG CFM/GPM	0696024	0696025	8"	1	732	13,669.00
3000SS-DOSY GxG CFM/GPM	0696030	0696031	10"	1	1090	18,679.00
<b>With OSY resilient seated shutoff valves - Groove Inlet x Flange Outlet</b>						
3000SS DOSY GxF CFM/GPM	0696002	0696003	2 1/2"	1	212	4,821.00
3000SS DOSY GxF CFM/GPM	0696008	0696009	3"	1	248	5,033.00
3000SS DOSY GxF CFM/GPM	0696014	0696015	4"	1	308	5,827.00
3000SS DOSY GxF CFM/GPM	0696020	0696021	6"	1	468	7,552.00
3000SS DOSY GxF CFM/GPM	0696026	0696027	8"	1	732	13,669.00
3000SS DOSY GxF CFM/GPM	0696032	0696033	10"	1	1090	18,679.00
<b>With OSY resilient seated shutoff valves - Flange Inlet x Groove Outlet</b>						
3000SS DOSY FxG CFM/GPM	0696004	0696005	2 1/2"	1	212	4,821.00
3000SS DOSY FxG CFM/GPM	0696010	0696011	3"	1	248	5,033.00
3000SS DOSY FxG CFM/GPM	0696016	0696017	4"	1	308	5,827.00
3000SS DOSY FxG CFM/GPM	0696022	0696023	6"	1	468	7,552.00
3000SS DOSY FxG CFM/GPM	0696028	0696029	8"	1	732	13,669.00
3000SS DOSY FxG CFM/GPM	0696034	0696035	10"	1	1090	18,679.00
<b>With OSY resilient seated shutoff valves and less Meter</b>						
3000SS-OSY-LM	0691561	-	2 1/2"	1	210	4,737.00
3000SS-OSY-LM	0691563	-	3"	1	245	4,946.00
3000SS-OSY-LM	0691565	-	4"	1	305	5,742.00
3000SS-OSY-LM	0691545	-	6"	1	465	7,469.00
3000SS-OSY-LM	0691542	-	8"	1	717	13,585.00
3000SS-OSY-LM	0691551	-	10"	1	1087	18,592.00
3000SS-DOSY-LM	0691555	-	12"	1	1448	24,017.00
<b>With NRS resilient seated shutoff valves</b>						
3000SS-NRS-CFM/GPM	0690981	0690476	2 1/2"	1	212	4,710.00
3000SS-NRS-CFM/GPM	0690985	0690485	3"	1	248	4,916.00
3000SS-NRS-CFM/GPM	0690989	0690494	4"	1	308	5,995.00
3000SS-NRS-CFM/GPM	0690929	0690504	6"	1	468	7,686.00
3000SS-NRS-CFM/GPM	0690899	0690459	8"	1	732	13,958.00
3000SS-NRS-CFM/GPM	0690936	0690534	10"	1	1090	18,710.00
<b>With NRS resilient seated shutoff valves less meter</b>						
3000SS-NRS-LM	0691562	-	2 1/2"	1	139	4,958.00
3000SS-NRS-LM	0691564	-	3"	1	206	5,066.00
3000SS-NRS-LM	0691566	-	4"	1	242	5,906.00
3000SS-NRS-LM	0691546	-	6"	1	462	7,599.00
3000SS-NRS-LM	0691543	-	8"	1	726	13,868.00
3000SS-NRS-LM	0691552	-	10"	1	1084	18,622.00



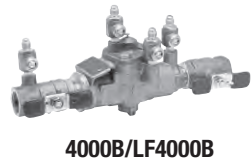
**3000SS-OSY**

(LM) = Less Meter  
 (CFM) = Cubic Feet Meter  
 (GPM) = Gallons Per Minute Meter



A WATTS Brand

# Reduced Pressure Zone Assemblies



MODEL	ORDERING CODE	SIZE	QTY. PER CARTON	WEIGHT PER CARTON (LBS.)	LIST PRICE (EACH)
-------	---------------	------	-----------------	--------------------------	-------------------

## Reduced Pressure Zone Assemblies - Bronze body

### With Ball Valves

4000B	0436090	-	1/2"	1	5	\$ 426.50
4000B-M3	0436097	-	3/4"	1	11	567.00
4000B-M2	0436096	-	1"	1	12	669.50
4000B	0436093	-	1 1/4"	1	28	1,049.00
4000B	0436094	-	1 1/2"	1	29	1,132.00
4000B	0436095	-	2"	1	29.5	1,302.00
LF4000B	0425014	-	1/2"	1	5	533.00
LF4000BM3	0425015	-	3/4"	1	11	710.00
LF4000BM2	0425016	-	1"	1	12	836.50
LF4000B	0425017	-	1 1/4"	1	28	1,312.00
LF4000B	0425018	-	1 1/2"	1	29	1,417.00
LF4000B	0425019	-	2"	1	29.5	1,631.00

LEAD FREE\*

### With Inlet/Outlet fire hydrant fittings (2 1/2" inlet female hose thread swivel x 2 1/2" outlet male NST)

4000B-HC	0691938	-	2"	1	37	3,736.00
----------	---------	---	----	---	----	----------

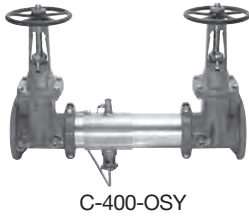


### With Inlet/Outlet Gear Operated Slow Close Isolation Valves

4000BM2-FP	0062545	-	1"	1	15.2	1,673.00
4000BM2-FP	0062546	-	1 1/4"	1	21.2	2,258.00
4000BM2-FP	0062547	-	1 1/2"	1	22.5	2,591.00
4000BM2-FP	0062548	-	2"	1	33.3	2,919.00



# Reduced Pressure Zone Assemblies



MODEL	ORDERING CODE	SIZE	QTY. PER CARTON	WEIGHT PER CARTON (LBS.)	LIST PRICE (EACH)
-------	---------------	------	-----------------	--------------------------	-------------------

## Reduced Pressure Zone Assemblies - Stainless Steel Body

### With OSY resilient seated shutoff valves

LEAD FREE*	MODEL	ORDERING CODE	SIZE	QTY. PER CARTON	WEIGHT PER CARTON (LBS.)	LIST PRICE (EACH)
	C-400-OSY	0191270	2 1/2"	1	128	\$ 3,200.00
	C-400-OSY	0191271	3"	1	148	3,598.00
	C-400-OSY	0191272	4"	1	164	4,785.00
	C-400-OSY	0191273	6"	1	298	7,582.00
	C-400-OSY	0191274	8"	1	483	12,870.00
	C-400-OSY	0191275	10"	1	783	19,075.00

### N-Pattern with OSY resilient seated shutoff valves

LEAD FREE*	MODEL	ORDERING CODE	SIZE	QTY. PER CARTON	WEIGHT PER CARTON (LBS.)	LIST PRICE (EACH)
	C-400N-OSY	0191276	2 1/2"	1	136	3,589.00
	C-400N-OSY	0191277	3"	1	161	4,122.00
	C-400N-OSY	0191278	4"	1	187	5,338.00
	C-400N-OSY	0191279	6"	1	339	8,161.00
	C-400N-OSY	0191280	8"	1	558	14,110.00
	C-400N-OSY	0191281	10"	1	950	22,008.00

### Z-Pattern with OSY resilient seated shutoff valves

LEAD FREE*	MODEL	ORDERING CODE	SIZE	QTY. PER CARTON	WEIGHT PER CARTON (LBS.)	LIST PRICE (EACH)
	C-400Z-OSY	0191282	2 1/2"	1	136	3,589.00
	C-400Z-OSY	0191283	3"	1	161	4,122.00
	C-400Z-OSY	0191284	4"	1	187	5,338.00
	C-400Z-OSY	0191285	6"	1	339	8,161.00
	C-400Z-OSY	0191286	8"	1	558	14,110.00
	C-400Z-OSY	0191287	10"	1	950	22,008.00

### With NRS resilient seated shutoff valves

LEAD FREE*	MODEL	ORDERING CODE	SIZE	QTY. PER CARTON	WEIGHT PER CARTON (LBS.)	LIST PRICE (EACH)
	C-400-NRS	0191288	2 1/2"	1	118	3,169.00
	C-400-NRS	0191289	3"	1	134	3,581.00
	C-400-NRS	0191290	4"	1	164	4,758.00
	C-400-NRS	0191291	6"	1	276	7,245.00
	C-400-NRS	0191292	8"	1	441	12,552.00
	C-400-NRS	0191293	10"	1	723	18,868.00

### N-Pattern with NRS resilient seated shutoff valves

LEAD FREE*	MODEL	ORDERING CODE	SIZE	QTY. PER CARTON	WEIGHT PER CARTON (LBS.)	LIST PRICE (EACH)
	C-400N-NRS	0191294	2 1/2"	1	126	3,554.00
	C-400N-NRS	0191295	3"	1	147	4,047.00
	C-400N-NRS	0191296	4"	1	187	5,307.00
	C-400N-NRS	0191297	6"	1	317	7,918.00
	C-400N-NRS	0191298	8"	1	516	13,774.00
	C-400N-NRS	0191299	10"	1	893	21,791.00

### Z-Pattern with NRS resilient seated shutoff valves

LEAD FREE*	MODEL	ORDERING CODE	SIZE	QTY. PER CARTON	WEIGHT PER CARTON (LBS.)	LIST PRICE (EACH)
	C-400Z-NRS	0191300	2 1/2"	1	126	3,554.00
	C-400Z-NRS	0191301	3"	1	147	4,047.00
	C-400Z-NRS	0191302	4"	1	187	5,307.00
	C-400Z-NRS	0191303	6"	1	317	7,918.00
	C-400Z-NRS	0191304	8"	1	516	13,774.00
	C-400Z-NRS	0191305	10"	1	893	21,791.00

### With gear operated, UL/FM Butterfly valves

LEAD FREE*	MODEL	ORDERING CODE	SIZE	QTY. PER CARTON	WEIGHT PER CARTON (LBS.)	LIST PRICE (EACH)
	C-400-BFG	0692865	4"	1	75	5,318.00
	C-400-BFG	0692866	6"	1	140	8,424.00

### N-Pattern with gear operated, UL/FM Butterfly valves

LEAD FREE*	MODEL	ORDERING CODE	SIZE	QTY. PER CARTON	WEIGHT PER CARTON (LBS.)	LIST PRICE (EACH)
	C-400N-BFG	0191416	2 1/2"	1	85	3,904.00
	C-400N-BFG	0191417	3"	1	90	4,381.00
	C-400N-BFG	0191415	4"	1	200	5,652.00
	C-400N-BFG	0191418	6"	1	300	8,486.00

### Z-Pattern with gear operated, UL/FM Butterfly valves

LEAD FREE*	MODEL	ORDERING CODE	SIZE	QTY. PER CARTON	WEIGHT PER CARTON (LBS.)	LIST PRICE (EACH)
	C-400Z-BFG	0191480	2 1/2"	1	90	4,192.00
	C-400Z-BFG	0191481	3"	1	93	4,709.00
	C-400Z-BFG	0191482	4"	1	205	6,079.00
	C-400Z-BFG	0191483	6"	1	305	9,139.00



\*The wetted surface of this product contacted by consumable water contains less than 0.25% of lead by weight.

# Reduced Pressure Zone Assemblies

MODEL	ORDERING CODE	SIZE	QTY. PER CARTON	WEIGHT PER CARTON (LBS.)	LIST PRICE (EACH)
-------	---------------	------	-----------------	--------------------------	-------------------

## Reduced Pressure Zone Assemblies - Stainless Steel Body

### With OSY resilient seated shutoff valves

LEAD FREE*	M-400-OSY	0191072	-	2 1/2"	1	128	\$ 4,165.00
	M-400-OSY	0191073	-	3"	1	148	4,685.00
	M-400-OSY	0191074	-	4"	1	222	6,232.00
	M-400-OSY	0191075	-	6"	1	393	9,732.00
	M-400-OSY	0191076	-	8"	1	567	16,757.00
	M-400-OSY	0191077	-	10"	1	784	24,839.00

### N-Pattern with OSY resilient seated shutoff valves

LEAD FREE*	M-400N-OSY	0191078	-	2 1/2"	1	136	4,755.00
	M-400N-OSY	0191079	-	3"	1	161	5,388.00
	M-400N-OSY	0191080	-	4"	1	245	7,072.00
	M-400N-OSY	0191081	-	6"	1	433	10,817.00
	M-400N-OSY	0191082	-	8"	1	643	17,816.00
	M-400N-OSY	0191083	-	10"	1	954	27,748.00

### Z-Pattern with OSY resilient seated shutoff valves

LEAD FREE*	M-400Z-OSY	0191084	-	2 1/2"	1	136	4,755.00
	M-400Z-OSY	0191085	-	3"	1	161	5,388.00
	M-400Z-OSY	0191086	-	4"	1	245	7,072.00
	M-400Z-OSY	0191087	-	6"	1	433	10,817.00
	M-400Z-OSY	0191088	-	8"	1	643	17,816.00
	M-400Z-OSY	0191089	-	10"	1	954	27,748.00

### With NRS resilient seated shutoff valves

LEAD FREE*	M-400-NRS	0191090	-	2 1/2"	1	118	4,123.00
	M-400-NRS	0191091	-	3"	1	134	4,664.00
	M-400-NRS	0191092	-	4"	1	222	6,194.00
	M-400-NRS	0191093	-	6"	1	371	9,432.00
	M-400-NRS	0191094	-	8"	1	525	16,344.00
	M-400-NRS	0191095	-	10"	1	724	24,569.00

### N-Pattern with NRS resilient seated shutoff valves

LEAD FREE*	M-400N-NRS	0191096	-	2 1/2"	1	126	4,711.00
	M-400N-NRS	0191097	-	3"	1	147	5,362.00
	M-400N-NRS	0191098	-	4"	1	245	7,034.00
	M-400N-NRS	0191099	-	6"	1	411	10,496.00
	M-400N-NRS	0191100	-	8"	1	601	17,392.00
	M-400N-NRS	0191101	-	10"	1	894	27,474.00

### Z-Pattern with NRS resilient seated shutoff valves

LEAD FREE*	M-400Z-NRS	0191484	-	2 1/2"	1	126	4,711.00
	M-400Z-NRS	0191485	-	3"	1	147	5,362.00
	M-400Z-NRS	0191486	-	4"	1	187	7,034.00
	M-400Z-NRS	0191487	-	6"	1	317	10,496.00
	M-400Z-NRS	0191488	-	8"	1	516	17,392.00
	M-400Z-NRS	0191489	-	10"	1	893	27,474.00

### N-Pattern with gear operated, UL/FM Butterfly valves

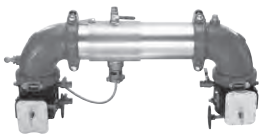
LEAD FREE*	M-400N-BFG	0191102	-	2 1/2"	1	67	5,142.00
	M-400N-BFG	0191103	-	3"	1	70	5,774.00
	M-400N-BFG	0191104	-	4"	1	145	7,461.00
	M-400N-BFG	0191105	-	6"	1	254	11,215.00

### Z-Pattern with gear operated, UL/FM Butterfly valves

LEAD FREE*	M-400Z-BFG	0191106	-	2 1/2"	1	67	5,142.00
	M-400Z-BFG	0191107	-	3"	1	70	5,774.00
	M-400Z-BFG	0191108	-	4"	1	145	7,461.00
	M-400Z-BFG	0191109	-	6"	1	254	11,215.00



M-400N-OSY



M-400N-BFG

# Reduced Pressure Zone Assemblies

MODEL	ORDERING CODE	SIZE	QTY. PER CARTON	WEIGHT PER CARTON (LBS.)	LIST PRICE (EACH)
-------	---------------	------	-----------------	--------------------------	-------------------

## Reduced Pressure Zone Assemblies - Stainless Steel Body

### Less shutoff valves

LEAD FREE*	MODEL	ORDERING CODE	SIZE	QTY. PER CARTON	WEIGHT PER CARTON (LBS.)	LIST PRICE (EACH)
	4000SS-LG	0690477	2 1/2"	1	48	\$ 2,843.00
	4000SS-LG	0690486	3"	1	58	3,212.00
	4000SS-LG	0690495	4"	1	79	4,580.00
	4000SS-LG	0690505	6"	1	140	7,156.00
	4000SS-LG	0690467	8"	1	225	12,101.00
	4000SS-LG	0690535	10"	1	232	17,297.00

### With OSY resilient seated shutoff valves

LEAD FREE*	MODEL	ORDERING CODE	SIZE	QTY. PER CARTON	WEIGHT PER CARTON (LBS.)	LIST PRICE (EACH)
	4000SS-OSY	0690478	2 1/2"	1	215	3,964.00
	4000SS-OSY	0690487	3"	1	260	4,460.00
	4000SS-OSY	0690496	4"	1	410	5,932.00
	4000SS-OSY	0690506	6"	1	470	9,262.00
	4000SS-OSY	0690468	8"	1	732	15,948.00
	4000SS-OSY	0690536	10"	1	1120	23,638.00

### With NRS resilient seated shutoff valves

LEAD FREE*	MODEL	ORDERING CODE	SIZE	QTY. PER CARTON	WEIGHT PER CARTON (LBS.)	LIST PRICE (EACH)
	4000SS-NRS	0690479	2 1/2"	1	210	3,926.00
	4000SS-NRS	0690488	3"	1	255	4,435.00
	4000SS-NRS	0690497	4"	1	337	5,895.00
	4000SS-NRS	0690507	6"	1	470	8,976.00
	4000SS-NRS	0690469	8"	1	732	15,552.00
	4000SS-NRS	0690537	10"	1	1020	23,383.00

### With OSY resilient seated shutoff valves - Groove Inlet x Groove Outlet

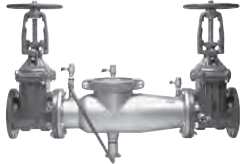
LEAD FREE*	MODEL	ORDERING CODE	SIZE	QTY. PER CARTON	WEIGHT PER CARTON (LBS.)	LIST PRICE (EACH)
	4000SS DOSY GxG	0694000	2 1/2"	1	215	3,964.00
	4000SS DOSY GxG	0694003	3"	1	260	4,460.00
	4000SS DOSY GxG	0694006	4"	1	410	5,932.00
	4000SS DOSY GxG	0694009	6"	1	470	9,262.00
	4000SS DOSY GxG	0694012	8"	1	732	15,948.00
	4000SS DOSY GxG	0694015	10"	1	1120	23,638.00

### With OSY resilient seated shutoff valves - Groove Inlet x Flange Outlet

LEAD FREE*	MODEL	ORDERING CODE	SIZE	QTY. PER CARTON	WEIGHT PER CARTON (LBS.)	LIST PRICE (EACH)
	4000SS DOSY GxF	0694001	2 1/2"	1	215	3,964.00
	4000SS DOSY GxF	0694004	3"	1	260	4,460.00
	4000SS DOSY GxF	0694007	4"	1	410	5,932.00
	4000SS DOSY GxF	0694010	6"	1	470	9,262.00
	4000SS DOSY GxF	0694013	8"	1	732	15,948.00
	4000SS DOSY GxF	0694016	10"	1	1120	23,638.00

### With OSY resilient seated shutoff valves - Flange Inlet x Groove Outlet

LEAD FREE*	MODEL	ORDERING CODE	SIZE	QTY. PER CARTON	WEIGHT PER CARTON (LBS.)	LIST PRICE (EACH)
	4000SS DOSY FxG	0694002	2 1/2"	1	215	3,964.00
	4000SS DOSY FxG	0694005	3"	1	260	4,460.00
	4000SS DOSY FxG	0694008	4"	1	410	5,932.00
	4000SS DOSY FxG	0694011	6"	1	470	9,262.00
	4000SS DOSY FxG	0694014	8"	1	732	15,948.00
	4000SS DOSY FxG	0694017	10"	1	1120	23,638.00



4000SS-OSY

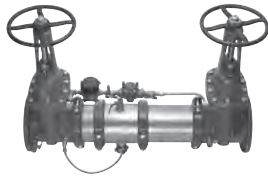
\*The wetted surface of this product contacted by consumable water contains less than 0.25% of lead by weight.

# Reduced Pressure Detector Assemblies

MODEL	ORDERING CODE	SIZE	QTY. PER CARTON	WEIGHT PER CARTON (LBS.)	LIST PRICE (EACH)
-------	---------------	------	-----------------	--------------------------	-------------------

## Reduced Pressure Detector Assemblies - Stainless Steel Body

### With OSY resilient seated shutoff valves



C-500-OSY

C-500-OSY-CFM/GPM	0191306	0191312	2 1/2"	1	142	\$ 4,318.00
C-500-OSY-CFM/GPM	0191307	0191313	3"	1	162	4,772.00
C-500-OSY-CFM/GPM	0191308	0191314	4"	1	178	5,627.00
C-500-OSY-CFM/GPM	0191309	0191315	6"	1	312	8,262.00
C-500-OSY-CFM/GPM	0191310	0191316	8"	1	497	14,693.00
C-500-OSY-CFM/GPM	0191311	0191317	10"	1	797	20,960.00
LFC-500-OSY-CFM/GPM	0124633	0124639	2 1/2"	1	142	4,580.00
LFC-500-OSY-CFM/GPM	0124634	0124640	3"	1	162	5,061.00
LFC-500-OSY-CFM/GPM	0124635	0124641	4"	1	178	5,967.00
LFC-500-OSY-CFM/GPM	0124636	0124642	6"	1	312	8,759.00
LFC-500-OSY-CFM/GPM	0124637	0124643	8"	1	797	15,574.00
LFC-500-OSY-CFM/GPM	0124638	0124644	10"	1	797	22,217.00

LEAD FREE

### N-Pattern with OSY resilient seated shutoff valves



C-500N-OSY

C-500N-OSY-CFM/GPM	0191318	0191324	2 1/2"	1	150	4,756.00
C-500N-OSY-CFM/GPM	0191319	0191325	3"	1	175	5,291.00
C-500N-OSY-CFM/GPM	0191320	0191326	4"	1	201	6,214.00
C-500N-OSY-CFM/GPM	0191321	0191327	6"	1	353	9,209.00
C-500N-OSY-CFM/GPM	0191322	0191328	8"	1	572	16,009.00
C-500N-OSY-CFM/GPM	0191323	0191329	10"	1	964	23,933.00
LFC-500N-OSY-CFM/GPM	0124645	0425283	2 1/2"	1	150	5,043.00
LFC-500N-OSY-CFM/GPM	0425278	0425284	3"	1	175	6,336.00
LFC-500N-OSY-CFM/GPM	0124646	0124649	4"	1	201	6,586.00

LEAD FREE

### Z-Pattern with OSY resilient seated shutoff valves

C-500Z-OSY-CFM/GPM	0191330	0191336	2 1/2"	1	150	4,756.00
C-500Z-OSY-CFM/GPM	0191331	0191337	3"	1	175	5,291.00
C-500Z-OSY-CFM/GPM	0191332	0191338	4"	1	201	6,214.00
C-500Z-OSY-CFM/GPM	0191333	0191339	6"	1	353	9,209.00
C-500Z-OSY-CFM/GPM	0191334	0191340	8"	1	572	16,009.00
C-500Z-OSY-CFM/GPM	0191335	0191341	10"	1	964	23,933.00
LFC-500Z-OSY-CFM/GPM	0124653	0124658	2 1/2"	1	150	5,043.00
LFC-500Z-OSY-CFM/GPM	0124654	0124659	3"	1	175	5,611.00
LFC-500Z-OSY-CFM/GPM	0124655	0124660	4"	1	201	6,586.00

LEAD FREE

### N-Pattern with gear operated, UL/FM Butterfly valves

C-500N-BFG-CFM/GPM	0191460	0191464	2 1/2"	1	132	5,471.00
C-500N-BFG-CFM/GPM	0191461	0191465	3"	1	134	6,045.00
C-500N-BFG-CFM/GPM	0191462	0191466	4"	1	166	7,042.00
C-500N-BFG-CFM/GPM	0191463	0191467	6"	1	285	10,285.00
LFC-500N-BFG-CFM/GPM	0124664	0124668	2 1/2"	1	132	5,796.00
LFC-500N-BFG-CFM/GPM	0124665	0124669	3"	1	134	6,407.00
LFC-500N-BFG-CFM/GPM	0124666	0124670	4"	1	166	7,464.00

LEAD FREE

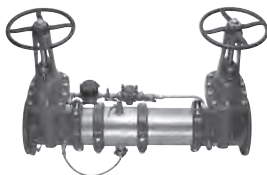
### Z-Pattern with gear operated, UL/FM Butterfly valves

C-500Z-BFG-CFM/GPM	0191468	0191472	2 1/2"	1	132	5,471.00
C-500Z-BFG-CFM/GPM	0191469	0191473	3"	1	134	6,045.00
C-500Z-BFG-CFM/GPM	0191470	0191474	4"	1	166	7,042.00
C-500Z-BFG-CFM/GPM	0191471	0191475	6"	1	285	10,285.00
LFC-500Z-BFG-CFM/GPM	0124672	0124676	2 1/2"	1	132	5,796.00
LFC-500Z-BFG-CFM/GPM	0124673	0124677	3"	1	134	6,407.00
LFC-500Z-BFG-CFM/GPM	0124674	0124678	4"	1	166	7,464.00

LEAD FREE

# Reduced Pressure Detector Assemblies

MODEL	ORDERING CODE	SIZE	QTY. PER CARTON	WEIGHT PER CARTON (LBS.)	LIST PRICE (EACH)	
<b>Reduced Pressure Detector Assemblies - Stainless Steel Body</b>						
<b>With OSY resilient seated shutoff valves and less meter</b>						
C-500-OSY-LM	0206632	2 1/2"	1	140	\$ 4,234.00	
C-500-OSY-LM	0206633	3"	1	160	4,687.00	
C-500-OSY-LM	0206634	4"	1	176	5,542.00	
C-500-OSY-LM	0206635	6"	1	310	8,178.00	
C-500-OSY-LM	0206636	8"	1	495	14,608.00	
C-500-OSY-LM	0206637	10"	1	795	20,872.00	
<b>N-Pattern with OSY resilient seated shutoff valves and less meter</b>						
C-500N-OSY-LM	0206638	2 1/2"	1	148	4,666.00	
C-500N-OSY-LM	0206639	3"	1	173	5,200.00	
C-500N-OSY-LM	0206640	4"	1	199	6,122.00	
C-500N-OSY-LM	0206641	6"	1	351	9,120.00	
C-500N-OSY-LM	0206642	8"	1	570	15,918.00	
CC-500N-OSY-LM	0206643	10"	1	962	23,843.00	
<b>Z-Pattern with OSY resilient seated shutoff valves and less meter</b>						
C-500Z-OSY-LM	0206644	2 1/2"	1	148	4,666.00	
C-500Z-OSY-LM	0206645	3"	1	173	5,200.00	
C-500Z-OSY-LM	0206646	4"	1	199	6,122.00	
C-500Z-OSY-LM	0206647	6"	1	351	9,120.00	
C-500Z-OSY-LM	0206648	8"	1	570	15,918.00	
C-500Z-OSY-LM	0206649	10"	1	962	23,843.00	
<b>N-Pattern with gear operated, UL/FM Butterfly valves and less meter</b>						
C-500N-BFG-LM	0206676	2 1/2"	1	130	5,378.00	
C-500N-BFG-LM	0206677	3"	1	132	5,956.00	
C-500N-BFG-LM	0206678	4"	1	164	6,949.00	
C-500N-BFG-LM	0206679	6"	1	283	10,195.00	
<b>Z-Pattern with gear operated, UL/FM Butterfly valves and less meter</b>						
C-500Z-BFG-LM	0206680	2 1/2"	1	130	5,378.00	
C-500Z-BFG-LM	0206681	3"	1	132	5,956.00	
C-500Z-BFG-LM	0206682	4"	1	164	6,949.00	
C-500Z-BFG-LM	0206683	6"	1	283	10,195.00	
<b>With OSY resilient seated shutoff valves</b>						
M-500-OSY-CFM/GPM	0191110	0191116	2 1/2"	1	142	6,018.00
M-500-OSY-CFM/GPM	0191111	0191117	3"	1	162	6,653.00
M-500-OSY-CFM/GPM	0191112	0191118	4"	1	236	7,845.00
M-500-OSY-CFM/GPM	0191113	0191119	6"	1	407	11,516.00
M-500-OSY-CFM/GPM	0191114	0191120	8"	1	581	19,888.00
M-500-OSY-CFM/GPM	0191115	0191121	10"	1	798	28,369.00
LFM-500-OSY-CFM/GPM	0124777	0124783	2 1/2"	1	142	6,251.00
LFM-500-OSY-CFM/GPM	0124778	0124784	3"	1	162	6,908.00
LFM-500-OSY-CFM/GPM	0124779	0124785	4"	1	236	8,146.00
LFM-500-OSY-CFM/GPM	0124780	0124786	6"	1	407	11,959.00
LFM-500-OSY-CFM/GPM	0124781	0124787	8"	1	581	20,652.00
LFM-500-OSY-CFM/GPM	0124782	0124788	10"	1	798	29,461.00



**M-500-OSY**

LEAD FREE

(LM) = Less Meter  
(CFM) = Cubic Feet Meter  
(GPM) = Gallons Per Minute Meter



\*The wetted surface of this product contacted by consumable water contains less than 0.25% of lead by weight.

# Reduced Pressure Detector Assemblies



M-500N-OSY

MODEL	ORDERING CODE	SIZE	QTY. PER CARTON	WEIGHT PER CARTON (LBS.)	LIST PRICE (EACH)
-------	---------------	------	-----------------	--------------------------	-------------------

## Reduced Pressure Detector Assemblies - Stainless Steel Body

### N-Pattern with OSY resilient seated shutoff valves

M-500N-OSY-CFM/GPM	0191122	0191128	2 1/2"	1	150	\$ 6,551.00
M-500N-OSY-CFM/GPM	0191123	0191129	3"	1	175	7,288.00
M-500N-OSY-CFM/GPM	0191124	0191130	4"	1	259	8,562.00
M-500N-OSY-CFM/GPM	0191125	0191131	6"	1	447	12,688.00
M-500N-OSY-CFM/GPM	0191126	0191132	8"	1	657	21,013.00
M-500N-OSY-CFM/GPM	0191127	0191133	10"	1	968	31,378.00

### Z-Pattern with OSY resilient seated shutoff valves

M-500Z-OSY-CFM/GPM	0191134	0191140	2 1/2"	1	150	6,551.00
M-500Z-OSY-CFM/GPM	0191135	0191141	3"	1	175	7,288.00
M-500Z-OSY-CFM/GPM	0191136	0191142	4"	1	259	8,562.00
M-500Z-OSY-CFM/GPM	0191137	0191143	6"	1	447	12,688.00
M-500Z-OSY-CFM/GPM	0191138	0191144	8"	1	657	21,013.00
M-500Z-OSY-CFM/GPM	0191139	0191145	10"	1	968	31,378.00

### N-Pattern with gear operated, UL/FM Butterfly valves

M-500N-BFG-CFM/GPM	0191146	0191150	2 1/2"	1	81	6,976.00
M-500N-BFG-CFM/GPM	0191147	0191151	3"	1	84	7,712.00
M-500N-BFG-CFM/GPM	0191148	0191152	4"	1	159	8,984.00
M-500N-BFG-CFM/GPM	0191149	0191153	6"	1	268	13,121.00

LEAD FREE

LFM-500N-BFG-CFM/GPM	0124801	0124804	2 1/2"	1	81	7,244.00
LFM-500N-BFG-CFM/GPM	0124802	0124805	3"	1	84	8,007.00

### Z-Pattern with gear operated, UL/FM Butterfly valves

M-500Z-BFG-CFM/GPM	0191154	0191158	2 1/2"	1	81	6,976.00
M-500Z-BFG-CFM/GPM	0191155	0191159	3"	1	84	7,712.00
M-500Z-BFG-CFM/GPM	0191156	0191160	4"	1	159	8,984.00
M-500Z-BFG-CFM/GPM	0191157	0191161	6"	1	268	13,121.00

LEAD FREE

LFM-500Z-BFG-CFM/GPM	0124808	0124812	2 1/2"	1	81	7,244.00
LFM-500Z-BFG-CFM/GPM	0124809	0124813	3"	1	84	8,007.00

### With OSY resilient seated shutoff valves and less meter

M-500-OSY-LM	0206650	-	2 1/2"	1	140	5,905.00
M-500-OSY-LM	0206651	-	3"	1	160	6,538.00
M-500-OSY-LM	0206652	-	4"	1	234	7,732.00
M-500-OSY-LM	0206653	-	6"	1	405	11,404.00
M-500-OSY-LM	0206654	-	8"	1	579	19,773.00
M-500-OSY-LM	0206655	-	10"	1	796	28,252.00

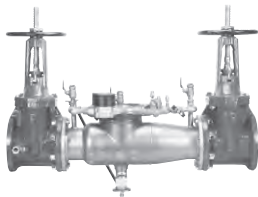
(LM) = Less Meter  
(CFM) = Cubic Feet Meter  
(GPM) = Gallons Per Minute Meter



\*The wetted surface of this product contacted by consumable water contains less than 0.25% of lead by weight.

# Reduced Pressure Detector Assemblies

MODEL	ORDERING CODE	SIZE	QTY. PER CARTON	WEIGHT PER CARTON (LBS.)	LIST PRICE (EACH)	
<b>Reduced Pressure Detector Assemblies - Stainless Steel Body</b>						
<b>N-Pattern with OSY resilient seated shutoff valves and less meter</b>						
M-500N-OSY-LM	0206656	2 1/2"	1	148	\$ 6,436.00	
M-500N-OSY-LM	0206657	3"	1	173	7,173.00	
M-500N-OSY-LM	0206658	4"	1	257	8,444.00	
M-500N-OSY-LM	0206659	6"	1	445	12,572.00	
M-500N-OSY-LM	0206660	8"	1	655	20,900.00	
M-500N-OSY-LM	0206661	10"	1	966	31,261.00	
<b>Z-Pattern with OSY resilient seated shutoff valves and less meter</b>						
M-500Z-OSY-LM	0206662	2 1/2"	1	148	6,436.00	
M-500Z-OSY-LM	0206663	3"	1	173	7,173.00	
M-500Z-OSY-LM	0206664	4"	1	257	8,444.00	
M-500Z-OSY-LM	0206665	6"	1	445	12,572.00	
M-500Z-OSY-LM	0206666	8"	1	655	20,900.00	
M-500Z-OSY-LM	0206667	10"	1	966	31,261.00	
<b>N-Pattern with gear operated, UL/FM Butterfly valves and less meter</b>						
M-500N-BFG-LM	0206668	2 1/2"	1	79	6,860.00	
M-500N-BFG-LM	0206669	3"	1	83	7,595.00	
M-500N-BFG-LM	0206670	4"	1	157	8,866.00	
M-500N-BFG-LM	0206671	6"	1	266	13,004.00	
<b>Z-Pattern with gear operated, UL/FM Butterfly valves and less meter</b>						
M-500Z-BFG-LM	0206672	2 1/2"	1	79	6,860.00	
M-500Z-BFG-LM	0206673	3"	1	82	7,595.00	
M-500Z-BFG-LM	0206674	4"	1	157	8,866.00	
M-500Z-BFG-LM	0206675	6"	1	266	13,004.00	
<b>Less shutoff valves</b>						
5000SS-LG-CFM/GPM	0690990	0690538	2 1/2"	1	76	4,260.00
5000SS-LG-CFM/GPM	0690992	0690541	3"	1	80	4,665.00
5000SS-LG-CFM/GPM	0690994	0690544	4"	1	82	5,565.00
5000SS-LG-CFM/GPM	0690946	0690547	6"	1	120	8,062.00
<b>Less meter</b>						
5000SS-LG-LM	0691567	-	2 1/2"	1	74	4,176.00
5000SS-LG-LM	0691569	-	3"	1	78	4,581.00
5000SS-LG-LM	0691571	-	4"	1	80	5,482.00
5000SS-LG-LM	0691553	-	6"	1	118	7,980.00
<b>With OSY resilient seated shutoff valves</b>						
5000SS-OSY-CFM/GPM	0690991	0690539	2 1/2"	1	185	5,245.00
5000SS-OSY-CFM/GPM	0690993	0690542	3"	1	220	5,799.00
5000SS-OSY-CFM/GPM	0690995	0690545	4"	1	325	6,836.00
5000SS-OSY-CFM/GPM	0690996	0690548	6"	1	480	10,036.00
<b>Less meter</b>						
5000SS-OSY-LM	0691568	-	2 1/2"	1	183	5,160.00
5000SS-OSY-LM	0691570	-	3"	1	218	5,715.00
5000SS-OSY-LM	0691572	-	4"	1	323	6,752.00
5000SS-OSY-LM	0691560	-	6"	1	478	9,954.00



**5000SS-OSY**

(LM) = Less Meter  
 (CFM) = Cubic Feet Meter  
 (GPM) = Gallons Per Minute Meter



\*The wetted surface of this product contacted by consumable water contains less than 0.25% of lead by weight.

# Reduced Pressure Detector Assemblies

MODEL	ORDERING CODE	SIZE	QTY. PER CARTON	WEIGHT PER CARTON (LBS.)	LIST PRICE (EACH)	
<b>Reduced Pressure Detector Assemblies - Stainless Steel Body</b>						
<b>With OSY resilient seated shutoff valves - Groove Inlet x Flange Outlet</b>						
5000SS DOSY GxG CFM/GPM	0694019	0694022	2 1/2"	1	185	\$ 5,245.00
5000SS DOSY GxG CFM/GPM	0694025	0694028	3"	1	220	5,799.00
5000SS DOSY GxG CFM/GPM	0694031	0694034	4"	1	325	6,836.00
5000SS DOSY GxG CFM/GPM	0694037	0694040	6"	1	480	10,036.00
<b>With OSY resilient seated shutoff valves - Flange Inlet x Groove Outlet</b>						
5000SS DOSY FxG CFM/GPM	0694020	0694023	2 1/2"	1	185	5,245.00
5000SS DOSY FxG CFM/GPM	0694026	0694029	3"	1	220	5,799.00
5000SS DOSY FxG CFM/GPM	0694032	0694035	4"	1	325	6,836.00
5000SS DOSY FxG CFM/GPM	0694038	0694041	6"	1	480	10,036.00

(LM) = Less Meter  
 (CFM) = Cubic Feet Meter  
 (GPM) = Gallons Per Minute Meter



\*The wetted surface of this product contacted by consumable water contains less than 0.25% of lead by weight.



# Miscellaneous Backflow Products

MODEL	ORDERING CODE	SIZE	QTY. PER CARTON	WEIGHT PER CARTON (LBS.)	LIST PRICE (EACH)
-------	---------------	------	-----------------	--------------------------	-------------------

## Irrigation Galvanized Swing Spring Check Valve

### Flanged end connections

MODEL	ORDERING CODE	SIZE	QTY. PER CARTON	WEIGHT PER CARTON (LBS.)	LIST PRICE (EACH)
FFF	0690233	3"	1	15.5	\$ 423.00
FFF	0690234	4"	1	23	455.50
FFF	0690235	5"	1	27.5	562.50
FFF	0690236	6"	1	33	537.50
FFF	0690237	8"	1	50.5	732.00
FFF	0690238	10"	1	70.5	1,106.00
FFF	0690239	12"	1	99	1,360.00

### Plain end connections

MODEL	ORDERING CODE	SIZE	QTY. PER CARTON	WEIGHT PER CARTON (LBS.)	LIST PRICE (EACH)
FPP	0690220	3"	1	6.5	277.50
FPP	0690221	4"	1	9	288.50
FPP	0690222	5"	1	14	368.50
FPP	0690223	6"	1	17.5	355.50
FPP	0690224	8"	1	26	463.50
FPP	0690225	10"	1	42	743.00

## Anti-Siphon Check Valves

MODEL	ORDERING CODE	SIZE	QTY. PER CARTON	WEIGHT PER CARTON (LBS.)	LIST PRICE (EACH)
ASCV	0690287	3"	1	20	791.00
ASCV	0690288	4"	1	27	921.50
ASCV	0690284	6"	1	40	968.50
ASCV	0690285	8"	1	58	1,189.00
ASCV	0690286	10"	1	79	1,637.00
ASCV	0690289	12"	1	108	1,829.00

## Hydrant Meter Backflow

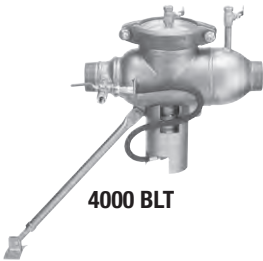
MODEL	ORDERING CODE	SIZE	QTY. PER CARTON	WEIGHT PER CARTON (LBS.)	LIST PRICE (EACH)
6000 HMB	0690618		1	120	7,823.00
6000 HMB CFM	0692541		1	120	7,823.00
4000BLT	0690619		1	211	4,420.00



FFF



ASCV



4000 BLT

\*The wetted surface of this product contacted by consumable water contains less than 0.25% of lead by weight.

# Miscellaneous Products



8000-F



8000-G



7001 FLG



LFAFBV-FP-SW

MODEL	ORDERING CODE	SIZE	QTY. PER CARTON	WEIGHT PER CARTON (LBS.)	LIST PRICE (EACH)
-------	---------------	------	-----------------	--------------------------	-------------------

## WYE Strainers

### Stainless Steel with Flange end connections

MODEL	ORDERING CODE	SIZE	QTY. PER CARTON	WEIGHT PER CARTON (LBS.)	LIST PRICE (EACH)
8000-F	0690192	2 1/2"	1	21	\$ 470.00
8000-F	0690193	3"	1	26	520.50
8000-F	0690194	4"	1	33	595.50
8000-F	0690196	6"	1	70	846.00
8000-F	0690197	8"	1	91	1,460.00
8000-F	0690198	10"	1	134	2,255.00
8000-F	0690199	12"	1	225	3,606.00

### Stainless Steel with Groove end connections

MODEL	ORDERING CODE	SIZE	QTY. PER CARTON	WEIGHT PER CARTON (LBS.)	LIST PRICE (EACH)
8000-G	0690858	2 1/2"	1	16	399.50
8000-G	0690859	3"	1	21	443.00
8000-G	0690860	4"	1	28	503.00
8000-G	0690862	6"	1	60	941.50
8000-G	0690863	8"	1	81	1,291.00
8000-G	0690864	10"	1	114	1,966.00
8000-G	0690865	12"	1	205	3,163.00

## Basket Strainer

### Fabricated Steel Epoxy lined and coated Fire Service Strainer. UL/FM

With one clean out port available with Flange end connections or Groove end connection.

MODEL	ORDERING CODE	SIZE	QTY. PER CARTON	WEIGHT PER CARTON (LBS.)	LIST PRICE (EACH)
7001 1 CO FLG/GRV	0690894	3"	1	70	4,318.00
7001 1 CO FLG/GRV	0690893	4"	1	120	4,432.00
7001 1 CO FLG/GRV	0690892	6"	1	232	6,362.00
7001 1 CO FLG/GRV	0690891	8"	1	560	8,002.00

With two clean out port available with Flange end connections or Groove end connection.

MODEL	ORDERING CODE	SIZE	QTY. PER CARTON	WEIGHT PER CARTON (LBS.)	LIST PRICE (EACH)
7002 2 CO FLG/GRV	0691006	3"	1	170	4,318.00
7002 2 CO FLG/GRV	0691004	4"	1	120	4,432.00
7002 2 CO FLG/GRV	0691003	6"	1	232	6,362.00
7002 2 CO FLG/GRV	0691002	8"	1	560	8,002.00
7002 2 CO FLG/GRV	0691005	10"	1	570	10,185.00

## Gear Operated Slow-Close Ball Valves

Slow-close gear operated ball valve with supervisory switches; NPT threaded end or grooved end connection.

MODEL	ORDERING CODE	SIZE	QTY. PER CARTON	WEIGHT PER CARTON (LBS.)	LIST PRICE (EACH)
LFAFBV-FP-SW THRD/GRV	0425366	1"	1	21	362.50
LFAFBV-FP-SW THRD/GRV	0425367	1 1/4"	1	26	389.00
LFAFBV-FP-SW THRD/GRV	0425368	1 1/2"	1	33	461.00
LFAFBV-FP-SW THRD/GRV	0425369	2"	1	70	553.50

\*The wetted surface of this product contacted by consumable water contains less than 0.25% of lead by weight.

# Miscellaneous Products

MODEL	ORDERING CODE	SIZE	QTY. PER CARTON	WEIGHT PER CARTON (LBS.)	LIST PRICE (EACH)
-------	---------------	------	-----------------	--------------------------	-------------------

## Valve setters



AVS-C FxF

LEAD FREE	AVS-C FxF	0693210	-	3	1	134	\$ 754.50
	AVS-C FxF	0693211	-	4	1	161	934.00
	AVS-C FxF	0693212	-	6	1	274	1,283.00
	AVS-C FxF	0693213	-	8	1	379	1,821.00
	AVS-C FxF	0693214	-	10	1	491	2,509.00



AVS-C FxMJ

LEAD FREE	AVS-C FxMJ	0693215	-	3	1	130	754.50
	AVS-C FxMJ	0693216	-	4	1	157	898.00
	AVS-C FxMJ	0693217	-	6	1	282	1,237.00
	AVS-C FxMJ	0693218	-	8	1	367	1,821.00
	AVS-C FxMJ	0693219	-	10	1	469	2,510.00



AVS-C MJxMJ

LEAD FREE	AVS-C MJxMJ	0693220	-	3	1	130	819.50
	AVS-C MJxMJ	0693221	-	4	1	157	1,090.00
	AVS-C MJxMJ	0693222	-	6	1	282	1,362.00
	AVS-C MJxMJ	0693223	-	8	1	367	1,755.00
	AVS-C MJxMJ	0693224	-	10	1	469	2,819.00

LEAD FREE	AVS-C FxF RP BFG	0693231	-	3	1	134	754.50
	AVS-C FxF RP BFG	0693225	-	4	1	161	934.00
	AVS-C FxF RP BFG	0693226	-	6	1	274	1,410.00

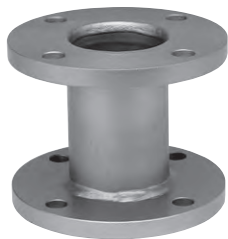
LEAD FREE	AVS-C FxMJ RP BFG	0693232	-	3	1	130	724.00
	AVS-C FxMJ RP BFG	0693227	-	4	1	161	934.00
	AVS-C FxMJ RP BFG	0693228	-	6	1	274	1,410.00
	AVS-C MJxMJ RP BFG	0693233	-	3	1	130	819.00
	AVS-C MJxMJ RP BFG	0693229	-	4	1	157	1,088.00
	AVS-C MJxMJ RP BFG	0693230	-	6	1	282	1,499.00

# Accessories

Splash Guard



Air Gap



Spool

MODEL	ORDERING CODE	SIZE	QTY. PER CARTON	WEIGHT PER CARTON (LBS.)	LIST PRICE (EACH)
-------	---------------	------	-----------------	--------------------------	-------------------

### Air Gap Drains

1/2", 3/4" 4000B	7014267	-	1	-	\$ 57.50
1", 1 1/4", 1 1/2" 4000B	0691853	-	1	-	71.00
2" 4000B	0691866	-	1	-	145.00
2 1/2" - 6" 4000SS Vertical	0690511	-	1	-	772.00
2 1/2" - 10" 4000SS Plastic	0691842	-	1	-	184.50
4000RP/5000RPDA (Epoxy)	7011361	-	1	-	795.00
4" - 10" 4000CIV	7017299	-	1	-	291.50
Air Gap, Splash Guard (C-400/M-400, C-500/M-500)	7018367	-	1	-	191.00
Splash Guard (only)	7018894	-	1	-	56.75

LEAD FREE

### Elbows

4000B	7012798	-	1/2", 3/4"	1	-	40.50
4000B	7012799	-	1", 1 1/4", 1 1/2"	1	-	44.00
4000B	7016586	-	2"	1	-	84.75

LEAD FREE

‡Kits include: (2) Elbows, Nut, Bolts, Gaskets and Ring Gaskets.

### Test Cocks - Bronze

SAE-TC/Ames	0425362	-	1/8"	1	-	53.25
TC/Ames	7017250	-	1/8"	1	-	29.25
TC/Ames	0425363	-	1/4"	1	-	55.00
TC for Colt/Maxim	7018394	-	1/2"	1	-	92.75
TC for Colt/Maxim	7018395	-	3/4"	1	-	96.25
SAE-TC Adapter/Ames	7017627	-	1/4"	1	-	46.00
LFASAE-TC	0425362	-	1/8"	1	-	53.25
LFASAE-TC	0425363	-	1/4"	1	-	55.00

LEAD FREE

### Test Kit

ATG-1	0385502	-		1	8	1,992.00
-------	---------	---	--	---	---	----------

### Meters

5/8 x 3/4 - Cubic Feet	7011171	-		1	-	276.00
5/8 x 3/4 - Gallons Per Minute	7011172	-		1	-	276.00
5/8 x 1/2 CFM - Badger	7017978	-		1	-	276.00
5/8 x 1/2 GPM - Badger	7017979	-		1	-	276.00

### Remote Outside Meter - Badger

ROM DC/RP CFM-B	7018895	-		1	-	752.50
ROM DC/RP GPM-B	7018896	-		1	-	752.50
ROM includes 10' wire						

### Spools and flanges For retrofitting backflow preventers

LEAD FREE

Spools available in sizes: 2 1/2" x 1 7/8" - 10" x 1/2"

Flanges available in sizes: 2" x 1/4" - 10" x 1/2"

Contact your local Ames Agent for ordering information and pricing.

### Repair Kit Matrix

Kit Type      Series      Model      Kit Contents      Size

*Example:* RK - C500 - RPDA - CK1 - 8"

<i>Kit Type</i>	<i>Series</i>	<i>Model</i>	<i>Kit Contents</i>	<i>Size</i>
RK = Repair Kit HK = Handle Kit AK = Accessory Kit UK = Union Kit			B = Bonnet Assembly C = Cover V = Vent or Relief Valve CK = Check or Spring RC = Rubber for Check RV = Rubber for Relief Valve RT = Total Rubber Parts S = Seat M = Metered Bypass L = Less Meter G = GPM C = CFM T = Total (all internal parts) 1 = First Check 2 = Second Check 3 = Both 1st and 2nd Check 4 = Either 1st or 2nd Check SS = Stainless Steel SM = Spring Module	

ORDERING CODE	KIT NO.	SIZE	LIST PRICE
---------------	---------	------	------------

**Cover Kits**

7010142	ARK EPOXY C	4"	\$ 361.00
7010143	ARK EPOXY C	6"	531.00
7010144	ARK EPOXY C	8" - 10"	756.00

Kit includes: Cover, Cover Gasket, Vent Screw and Cover Hardware

**Seat Kits**

7010145	ARK EPOXY S	4"	176.50
7010146	ARK EPOXY S	6"	265.00
7010147	ARK EPOXY S	8" - 10"	385.00

Kit includes: Seat, Seat O-Ring and Cover Gasket

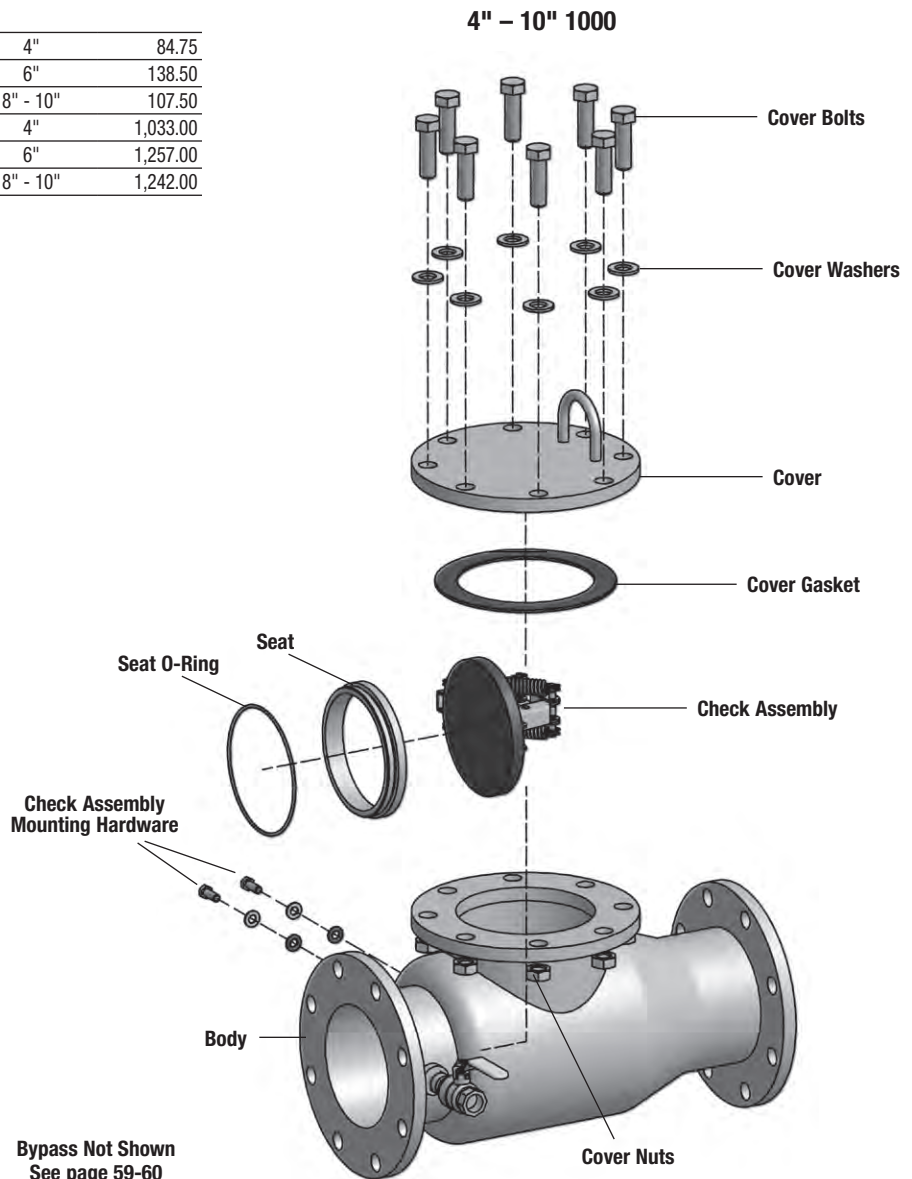
**Check Kits**

7010148	ARK 1000 CK1	4"	465.50
7010149	ARK 1000 CK1	6"	552.50
7010150	ARK 1000 CK1	8" - 10"	796.50

Kit includes: Check Assembly and Mounting Hardware

**Tools**

7013911	RETAINER CLIP	4"	84.75
7013912	RETAINER CLIP	6"	138.50
7013913	RETAINER CLIP	8" - 10"	107.50
7013941	SEAT INSTALL-REMOVAL TOOL	4"	1,033.00
7013946	SEAT INSTALL-REMOVAL TOOL	6"	1,257.00
7013950	SEAT INSTALL-REMOVAL TOOL	8" - 10"	1,242.00



ORDERING CODE	KIT NO.	SIZE	LIST PRICE
---------------	---------	------	------------

**Check Kits**

LEAD FREE	7010094	ARK 1000SS CK	4"	\$ 682.50
	7010095	ARK 1000SS CK	6"	857.00
	7010096	ARK 1000SS CK	8" - 10"	985.50

Kit includes: Check Assembly, Check O-Ring (4"-6") or Mounting Hardware (8" - 10")

**Cover Kits**

LEAD FREE	7010090	ARK SS C	2 1/2" - 4"	285.50
	7010091	ARK SS C	6"	404.50
	7010216	ARK SS DCV C	8" - 10"	1,631.00

Kit includes: Cover and Groove Coupler

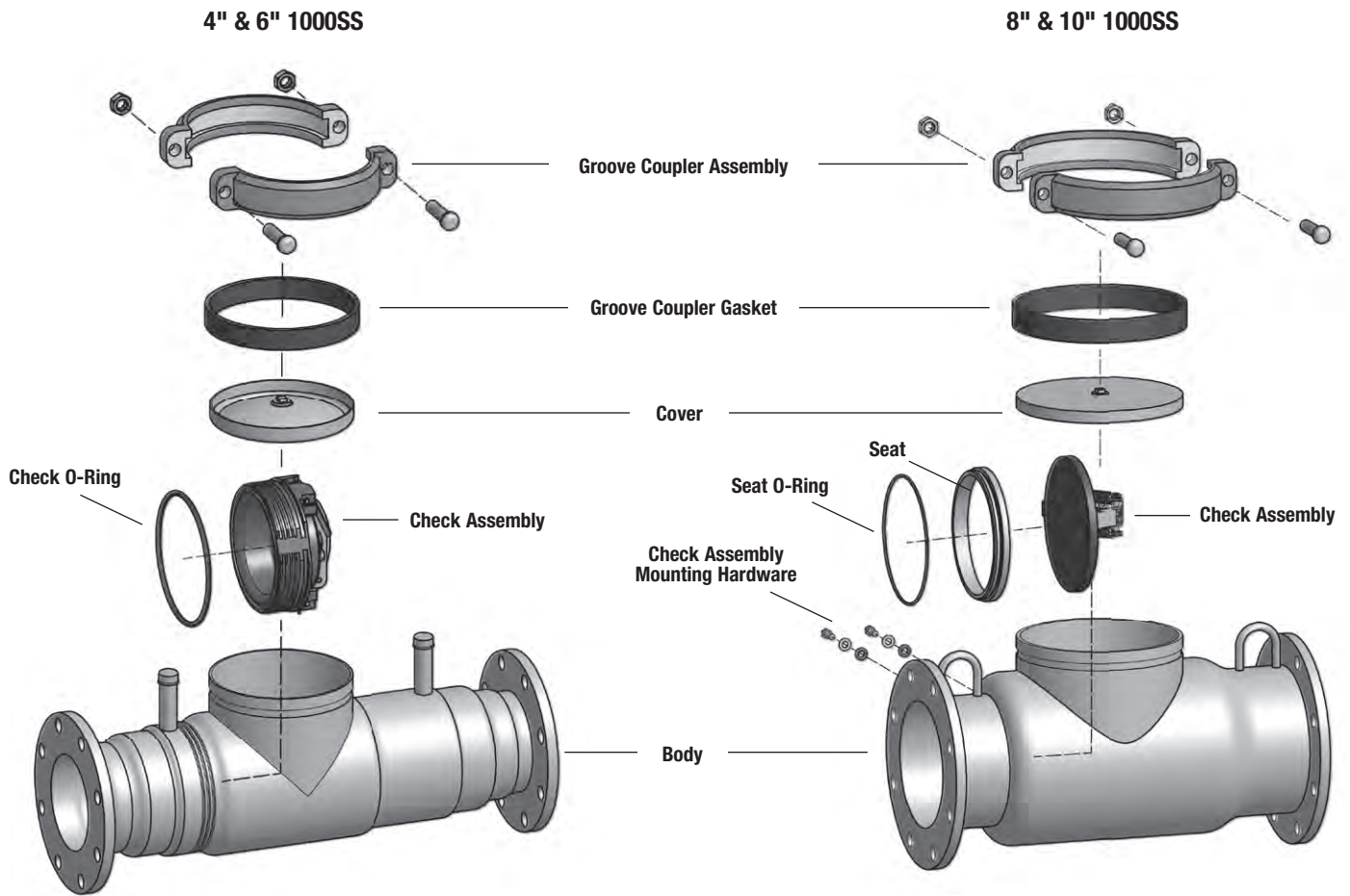
**Seat Kits**

7010147	ARK EPOXY S	8" - 10"	385.00
---------	-------------	----------	--------

Kit includes: Seat Ring, Seat O-Ring and Cover Gasket Tools

**Tools**

7013913	RETAINER CLIP	8" - 10"	107.50
7013950	SEAT INSTALL-REMOVAL TOOL	8" - 10"	1,242.00



Bypass Not Shown  
See page See page 59-60

ORDERING CODE	KIT NO.	SIZE	LIST PRICE
---------------	---------	------	------------

**1st or 2nd Check Kits**

LEAD FREE	7018460	ARK 200B R10 CK4	1/2" - 3/4"	\$ 51.00
	7018461	ARK 200B CK4	1/2"	41.75
	7018462	ARK 200B CK4	3/4"	60.25
	7018463	ARK 200B CK4	1"	62.50
	7018464	ARK 200B CK4	1 1/4" - 1 1/2"	115.50
	7018465	ARK 200B CK4	2"	118.50

Kit includes: Seat, Seat O-Ring, Disc Holder Assembly, Spring, and Cover O-Ring

**Total Rubber Parts Kits**

LEAD FREE	7018466	ARK 200B R10 RT	1/2" - 3/4"	16.25
	7018467	ARK 200B RT	1/2"	12.75
	7018468	ARK 200B RT	3/4"	12.75
	7018469	ARK 200B RT	1"	12.75
	7018470	ARK 200B RT	1 1/4" - 1 1/2"	16.50
	7018471	ARK 200B RT	2"	17.50

Kit includes: Disc Rubber, Seat O-Ring and Two Cover O-Rings

**1st or 2nd Check Seat Kits**

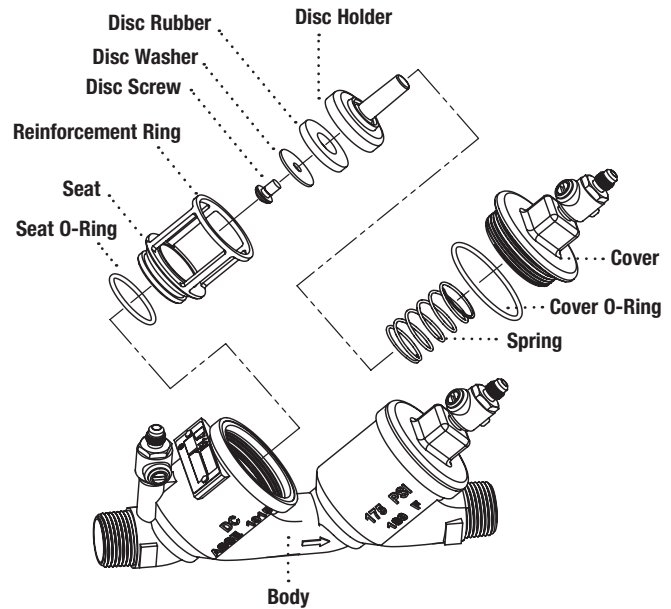
LEAD FREE	7018472	ARK 200B R10 S	1/2" - 3/4"	35.75
	7018473	ARK 200B S	1/2"	32.25
	7018474	ARK 200B S	3/4"	42.50
	7018475	ARK 200B S	1"	43.75
	7018476	ARK 200B S	1 1/4" - 1 1/2"	66.75
	7018477	ARK 200B S	2"	74.00

Kit includes: Seat, Seat O-Ring and Cover O-Ring

**1st or 2nd Check Cover Kits**

LEAD FREE	0425432	LFARK 200B-R10-C	1/2" - 3/4"	94.50
	0425433	LFARK 200B C	1/2"	72.25
	0425434	LFARK 200B C	3/4"	117.00
	0425435	LFARK 200B C	1"	122.00
	0425436	LFARK 200B C	1 1/4" - 1 1/2"	160.50
	0425437	LFARK 200B C	2"	188.50

Kit includes: Cover and Cover O-Ring





ORDERING CODE	KIT NO.	SIZE	LIST PRICE
---------------	---------	------	------------

1st Check Kits

LEAD FREE	7016330	ARK 2000B CK4	1/2"	\$ 41.75
	7016331	ARK 2000BM2 CK1	3/4"	22.75
	7016332	ARK 2000BM3 CK1	3/4"	28.25
	7016333	ARK 2000BM2 CK4	1"	62.50
	7016334	ARK 2000BM2 CK1	1 1/4" - 1 1/2"	115.50
	7016335	ARK 2000BM2 CK1	2"	118.50

Kit includes: Seat, Seat O-Ring, Disc Assembly, Spring, Check Cage and Cover O-Ring

2nd Check Kits

LEAD FREE	7016330	ARK 2000B CK4	1/2"	41.75
	7016337	ARK 2000BM2 CK2	3/4"	20.25
	7016338	ARK 2000BM3 CK2	3/4"	28.25
	7016333	ARK 2000BM1 CK4	1"	62.50
	7016340	ARK 2000BM2 CK2	1 1/4" - 1 1/2"	115.50
	7016341	ARK 2000BM1 CK2	2"	118.50

Kit includes: Seat, Seat O-Ring, Disc Assembly, Spring, Check Cage and Cover O-Ring

Cover Kits

LEAD FREE	0425400	LFARK 2000BC	1/2"	68.75
	0425401	LFARK 2000BM3 C	3/4"	80.50
	0425402	LFARK 2000BM1 C	1"	117.00
	7016346	ARK 2000BM2 C	1 1/4" - 1 1/2"	137.50
	7016347	ARK 2000BM1 C	2"	155.50

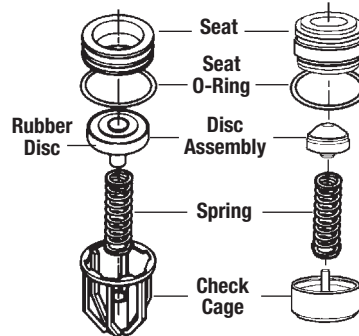
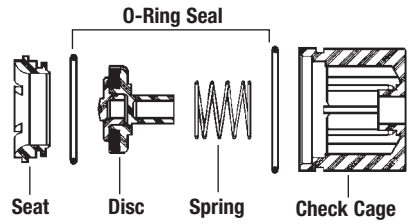
Kit includes: Cover and Cover O-Ring

Total Rubber Parts Kits

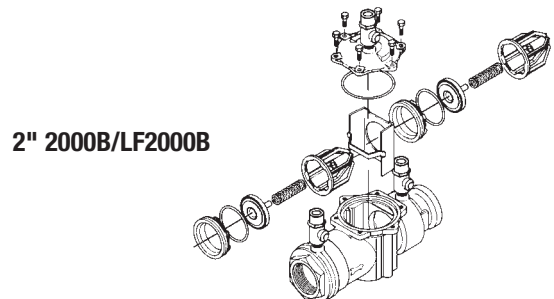
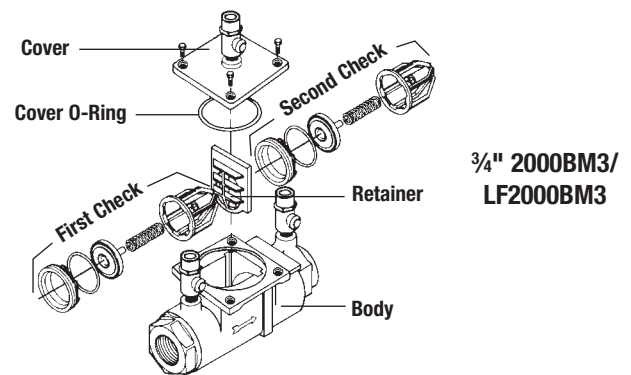
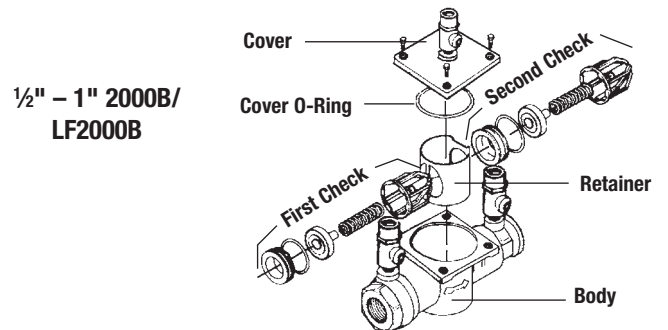
LEAD FREE	7016348	ARK 2000B RT	1/2"	25.50
	7016349	ARK 2000BM2 RT	3/4"	25.50
	7016350	ARK 2000BM3 RT	3/4"	24.50
	7016351	ARK 2000BM1 RT	1"	25.50
	7016352	ARK 2000BM2 RT	1 1/4" - 1 1/2"	35.50
	7016353	ARK 2000BM1 RT	2"	35.50

Kit includes: Two Cover O-Rings, Two Disc Assemblies and Two Seat O-Rings

Check Assembly 3/4" 2000BM3/LF2000BM3

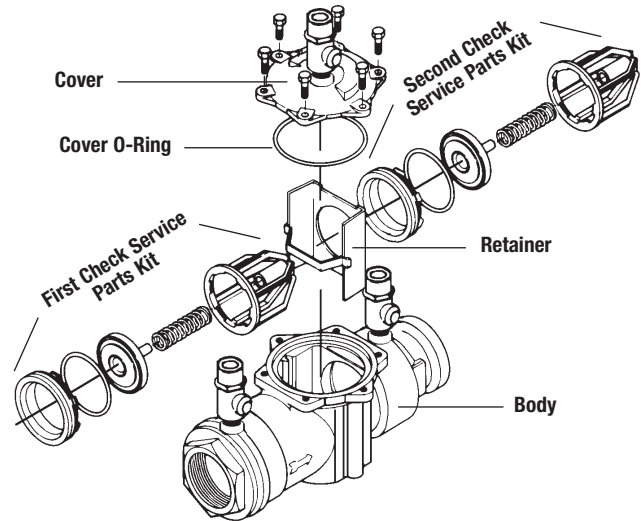
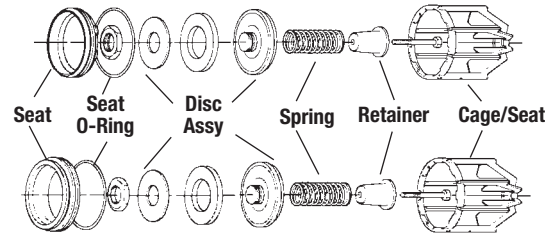


**Note:** Rubber seat disc can be replaced. However, disc holder and disc retainer are permanently bonded to prevent failure.



ORDERING CODE	KIT NO.	SIZE	LIST PRICE
<b>1st Check Kits</b>			
LEAD FREE 7016200	ARK 3000B CK1	2"	\$ 124.50
Kit includes: Seat, Seat O-Ring, Disc Assembly, Spring, Spring Retainer, Check Cage and Cover O-Ring			
<b>2nd Check Kits</b>			
LEAD FREE 7016201	ARK 3000B CK2	2"	112.50
Kit includes: Seat, Seat O-Ring, Disc Assembly, Spring, Spring Retainer, Check Cage and Cover O-Ring			
<b>Total Rubber Parts Kits</b>			
LEAD FREE 7016202	ARK 3000B RT	2"	33.75
Kit includes: Two Seat Discs, Two seat O-Rings, and Cover O-Ring			
<b>Cover Kits</b>			
LEAD FREE 0425411	LFARK 3000BC	2"	164.00
Kit includes: Cover and Cover O-Ring			
<b>Seat Kits</b>			
LEAD FREE 7016204	ARK 3000B S1	2"	93.75
LEAD FREE 7016205	ARK 3000B S2	2"	93.75
Kit includes: Seat, Seat O-Ring and Cover O-Ring			

Check Assemblies



# Repair Parts

## Series C-200 Double Check Valve Assembly 2½" – 10" Series C-300/LFC-300 Double Check Detector Assembly 2½" – 10"

ORDERING CODE	KIT NO.	SIZE	CHECK DISK MATERIAL	LIST PRICE
---------------	---------	------	---------------------	------------

### C200, C300 1st Check Kits

LEAD FREE	7010000	ARK C200/C300 CK1	2 1/2" - 4"	Red Silicone	\$ 312.50
	7010001	ARK C200/C300 CK1	6"	Red Silicone	435.50
	7010002	ARK C200/C300 CK1	8"	Red Silicone	719.50
	7010003	ARK C200/C300 CK1	10"	Red Silicone	1,007.00

Kit includes: 1st Check Assembly, Check O-Ring and Lube

### C200, C300 2nd Check Kits

LEAD FREE	7010004	ARK C200/C300 CK2	2 1/2" - 4"	Red Silicone	271.50
	7010005	ARK C200/C300 CK2	6"	Red Silicone	423.00
	7010006	ARK C200/C300 CK2	8"	Red Silicone	719.50
	7010007	ARK C200/C300 CK2	10"	Red Silicone	1,007.00

Kit includes: 2nd Check Assembly, Check O-Ring and Lube

### C200, C300 Check Rubber Kits

LEAD FREE	7010008	ARK C200/C300 RC4	2 1/2" - 4"	Red Silicone	40.75
	7010009	ARK C200/C300 RC4	6"	Red Silicone	52.00
	7010010	ARK C200/C300 RC4	8"	Red Silicone	72.75
	7010011	ARK C200/C300 RC4	10"	Red Silicone	162.50

Kit includes: Shutoff Disk (1), Check O-Ring (1), E-Clip, Sleeve O-Ring(s) and Lube

### Sleeve Kits

LEAD FREE	7010012	ARK C/M C	2 1/2" - 4"		395.50
	7010013	ARK C/M C	6"		531.00
	7010014	ARK C/M C	8"		907.00
	7010015	ARK C/M C	10"		1,107.00

Kit includes: Closure Sleeve, Sleeve O-Ring (2) and Lube

### Test Cocks

LEAD FREE	7018152	ARK C/M TC3	1/2"	(2 1/2" - 4")	109.50
	7018153	ARK C/M TC3	3/4"	(6" - 10")	109.50

Sleeve Test Cock #3

### C200a, C300a 1st Check Kits

LEAD FREE	7010016	ARK C200a/C300a CK1	2 1/2" - 4"	EPDM	312.50
	7010017	ARK C200a/C300a CK1	6"	EPDM	435.50

Kit includes: 1st Check Assembly, Check O-Ring and Lube

### C200a, C300a 2nd Check Kits

LEAD FREE	7010018	ARK C200a/C300a CK2	2 1/2" - 4"	EPDM	271.50
	7010019	ARK C200a/C300a CK2	6"	EPDM	423.00

Kit includes: 2nd Check Assembly, Check O-Ring and Lube

### C200a, C300a Check Rubber Kits

LEAD FREE	7010020	ARK C200a/C300a RC4	2 1/2" - 4"	EPDM	40.75
	7010021	ARK C200a/C300a RC4	6"	EPDM	52.00

Kit includes: Shutoff Disk (1), Check O-Ring (1), E-Clip, Sleeve O-Ring(s) and Lube

### Sleeve Kits

LEAD FREE	7010012	ARK C/M C	2 1/2" - 4"		395.50
	7010013	ARK C/M C	6"		531.00

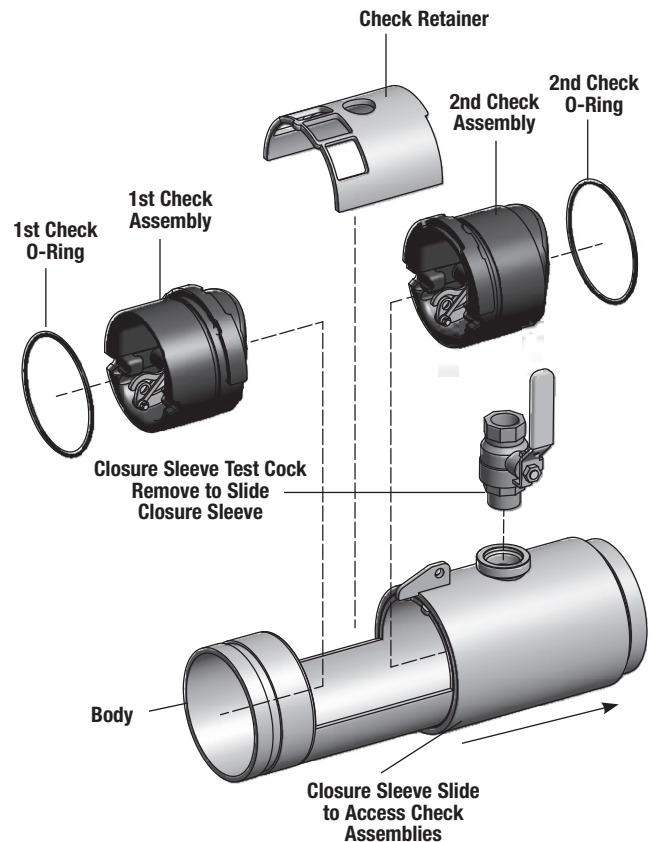
Kit includes: Closure Sleeve, Sleeve O-Ring (2) and Lube

### Test Cocks

LEAD FREE	7018152	ARK C/M TC3	1/2"	(2 1/2" - 4")	109.50
	7018153	ARK C/M TC3	3/4"	(6" - 10")	109.50

Sleeve Test Cock #3

### 2½" – 10" C200/C300



# Repair Parts

## Series M-200 Double Check Valve Assembly 2½" – 10" Series M-300/LFM-300 Double Check Detector Assembly 2½" – 10"

ORDERING CODE	KIT NO.	SIZE	CHECK DISK MATERIAL	LIST PRICE
---------------	---------	------	---------------------	------------

### M200, M300 1st Check Kits

LEAD FREE	7010048	ARK M200/M300 CK1	2 1/2" - 3"	Red Silicone	\$ 312.50
	7010049	ARK M200/M300 CK1	4"	Red Silicone	435.50
	7010050	ARK M200/M300 CK1	6"	Red Silicone	719.50
	7010051	ARK M200/M300 CK1	8" - 10"	Red Silicone	1,007.00

Kit includes: 1st Check Assembly, Check O-Ring and Lube

### M200, M300 2nd Check Kits

LEAD FREE	7010052	ARK M200/M300 CK2	2 1/2" - 3"	Red Silicone	271.50
	7010053	ARK M200/M300 CK2	4"	Red Silicone	423.00
	7010054	ARK M200/M300 CK2	6"	Red Silicone	718.50
	7010055	ARK M200/M300 CK2	8" - 10"	Red Silicone	1,007.00

Kit includes: 2nd Check Assembly, Check O-Ring and Lube

### M200, M300 Check Rubber Kits

LEAD FREE	7010056	ARK M200/M300 RC4	2 1/2" - 3"	Red Silicone	40.75
	7010057	ARK M200/M300 RC4	4"	Red Silicone	52.00
	7010058	ARK M200/M300 RC4	6"	Red Silicone	72.75
	7010059	ARK M200/M300 RC4	8" - 10"	Red Silicone	162.50

Kit includes: Shutoff Disk (1), Check O-Ring (1), E-Clip, Sleeve O-Ring(s) and Lube

### Sleeve Kits

LEAD FREE	7010012	ARK C/M C	2 1/2" - 3"		395.50
	7010013	ARK C/M C	4"		531.00
	7010014	ARK C/M C	6"		907.00
	7010015	ARK C/M C	8" - 10"		1,107.00

Kit includes: Closure Sleeve, Sleeve O-Ring (2) and Lube

### Test Cocks

LEAD FREE	7018152	ARK C/M TC3	1/2"	(2 1/2" - 3")	109.50
	7018153	ARK C/M TC3	3/4"	(4" - 10")	109.50

Sleeve Test Cock #3

### M200a, M300a 1st Check Kits

LEAD FREE	7010060	ARK M200a/M300a CK1	2 1/2" - 3"	EPDM	312.50
	7010061	ARK M200a/M300a CK1	4"	EPDM	435.50

Kit includes: 1st Check Assembly, Check O-Ring and Lube

### M200a, M300a 2nd Check Kits

LEAD FREE	7010062	ARK M200a/M300a CK2	2 1/2" - 3"	EPDM	271.50
	7010063	ARK M200a/M300a CK2	4"	EPDM	423.00

Kit includes: 2nd Check Assembly, Check O-Ring and Lube

### M200a, M300a Check Rubber Kits

LEAD FREE	7010064	ARK M200a/M300a RC4	2 1/2" - 3"	EPDM	40.75
	7010065	ARK M200a/M300a RC4	4"	EPDM	52.00

Kit includes: Shutoff Disk (1), Check O-Ring (1), E-Clip, Sleeve O-Ring(s) and Lube

### Sleeve Kits

LEAD FREE	7010012	ARK C/M C	2 1/2" - 3"		395.50
	7010013	ARK C/M C	4"		531.00
	7010014	ARK C/M C	6"		907.00
	7010015	ARK C/M C	8" - 10"		1,107.00

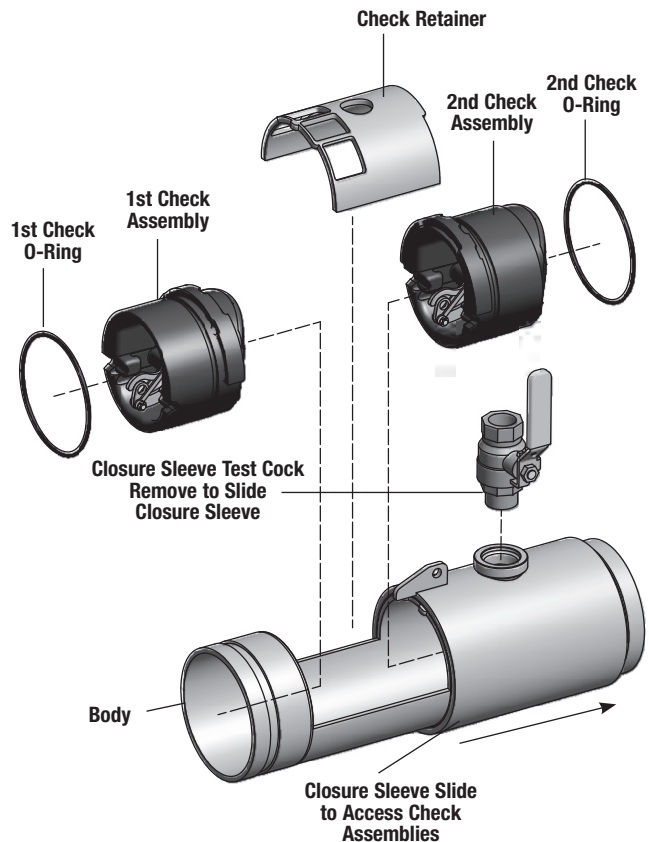
Kit includes: Closure Sleeve, Sleeve O-Ring (2) and Lube

### Test Cocks

LEAD FREE	7018152	ARK C/M TC3	1/2"	(2 1/2" - 3")	109.50
	7018153	ARK C/M TC3	3/4"	(4" - 10")	109.50

Sleeve Test Cock #3

### 2½" – 10" M200/M300



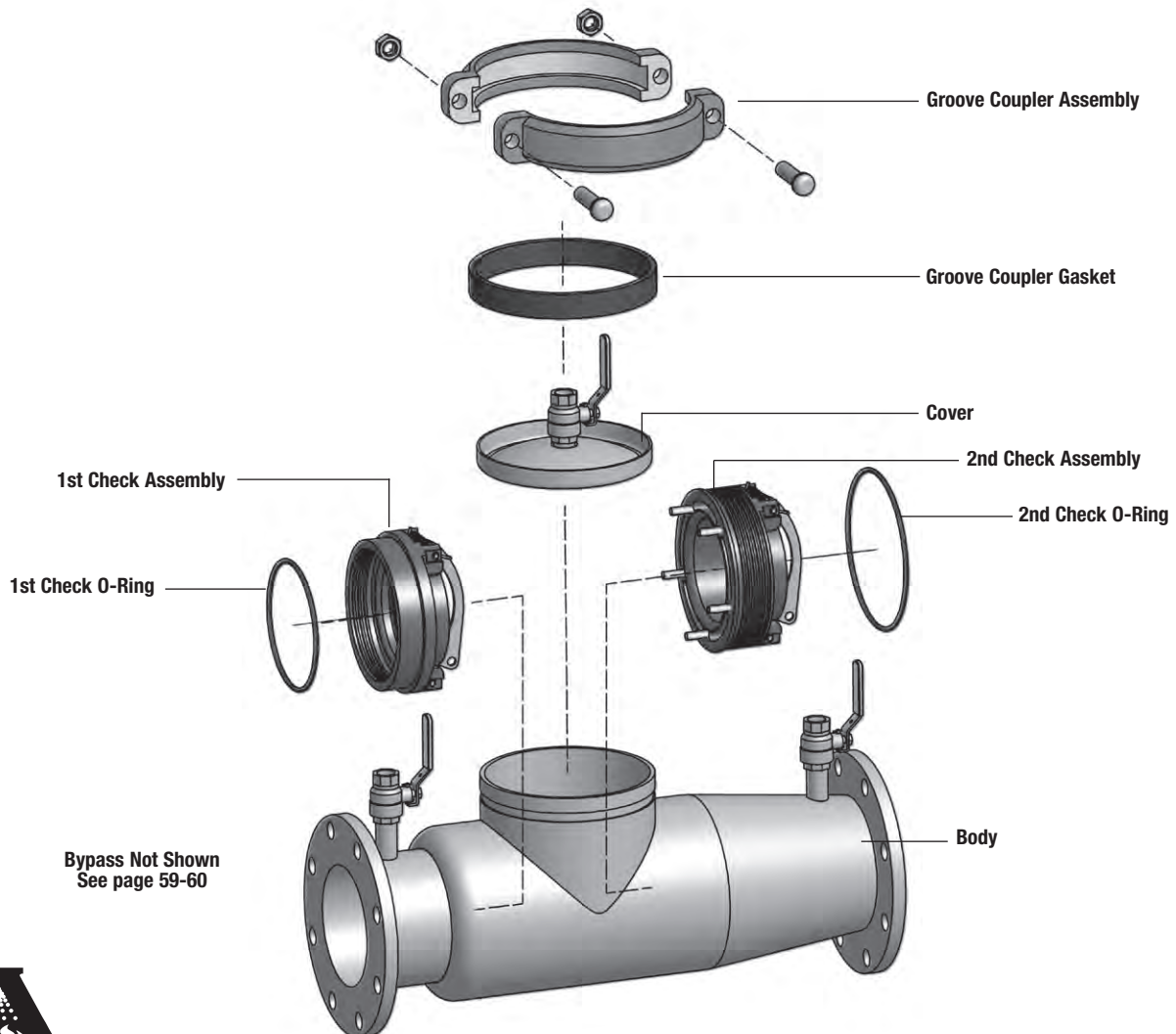
# Repair Parts

## Series 2000SS/2000SE Double Check Valve Assembly 2 1/2" – 6", 6" & 8" Series 3000SS/3000SE Double Check Detector Assembly 2 1/2" – 6", 6" & 8"

ORDERING CODE	KIT NO.	SIZE	LIST PRICE
<b>2000SE, 3000SE 1st Check Kits</b>			
LEAD FREE 7010103	ARK 2000SE/3000SE CK1	6"	\$ 297.50
7010104	ARK 2000SE/3000SE CK1	8"	317.00
Kit includes: 1st Check Assembly, Check O-Ring and Lube			
<b>2000SE, 3000SE 2nd Check Kits</b>			
LEAD FREE 7010105	ARK 2000SE/3000SE CK2	6"	297.50
7010106	ARK 2000SE/3000SE CK2	8"	317.00
Kit includes: 2nd Check Assembly, Check O-Ring and Lube			
<b>Cover Kits</b>			
LEAD FREE 7010092	ARK SE C	6"	506.00
7010093	ARK SE/SS C	8"	622.50
Kit includes: Cover, Groove Coupler and Gasket			

ORDERING CODE	KIT NO.	SIZE	LIST PRICE
<b>2000SS, 3000SS 1st Check Kits</b>			
LEAD FREE 7010097	ARK 2000SS/3000SS CK1	2 1/2" - 4"	\$ 297.50
7010098	ARK 2000SS/3000SS CK1	6"	317.00
Kit includes: 1st Check Assembly, Check O-Ring and Lube			
<b>2000SS, 3000SS 2nd Check Kits</b>			
LEAD FREE 7010100	ARK 2000SS/3000SS CK2	2 1/2" - 4"	297.50
7010101	ARK 2000SS/3000SS CK2	6"	317.00
Kit includes: 2nd Check Assembly, Check O-Ring and Lube			
<b>Cover Kits</b>			
LEAD FREE 7010090	ARK SS C	2 1/2" - 4"	285.50
7010091	ARK SS C	6"	404.50
Kit includes: Cover, Groove Coupler and Gasket			

### 2 1/2" THROUGH 6" 2000SS/3000SS 6" & 8" 2000SE/3000SE



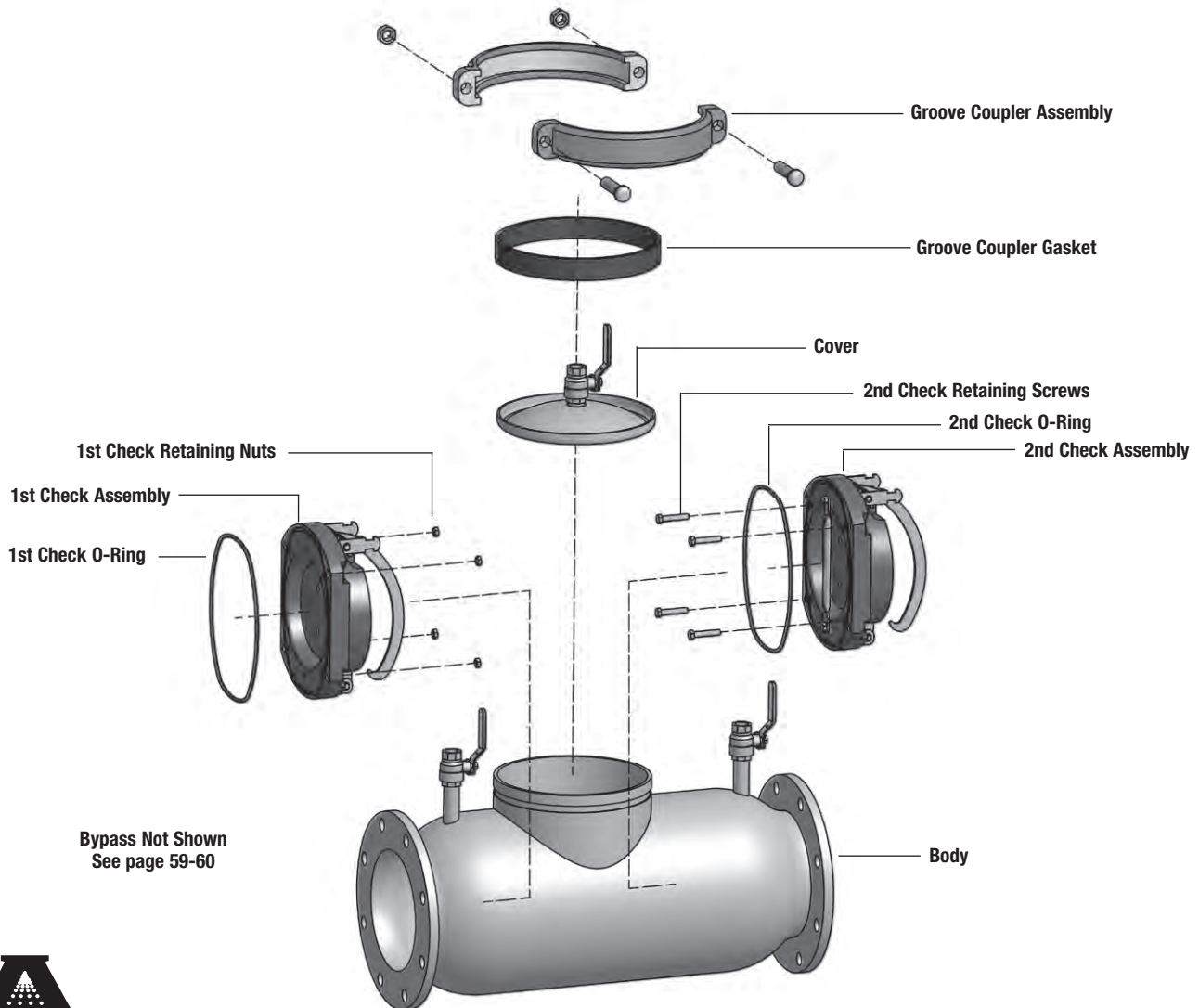
\*The wetted surface of this product contacted by consumable water contains less than 0.25% of lead by weight.

# Repair Parts

## Series 2000SS Double Check Valve Assembly 8" – 12" Series 3000SS Double Check Detector Assembly 8" – 12"

ORDERING CODE	KIT NO.	SIZE	LIST PRICE
<b>2000SS, 3000SS 1st Check Kit</b>			
LEAD FREE 7010099	ARK 2000SS/3000SS CK1	8" - 12"	\$ 913.00
Kit includes: 1st Check Assembly, Check O-Ring, Retaining Nuts (4), and Lube			
<b>2000SS, 3000SS 2nd Check Kit</b>			
LEAD FREE 7010102	ARK 2000SS/3000SS CK2	8" - 12"	913.00
Kit includes: 2nd Check Assembly, Check O-Ring, Retaining Screws (4) and Lube			
<b>Cover Kit</b>			
LEAD FREE 7010093	ARK SE/SS C	8" - 12"	622.50
Kit includes: Cover, Groove Coupler and Gasket			

### 8" THROUGH 12" 2000SS/3000SS



Bypass Not Shown  
See page 59-60



\*The wetted surface of this product contacted by consumable water contains less than 0.25% of lead by weight.

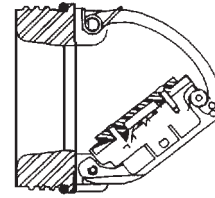
# Repair Parts

## Series 2001SS Double Check Valve Assembly 2½" – 8" Series 3001SS Double Check Detector Assembly 2½" – 8"

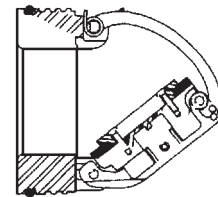
ORDERING CODE	KIT NO.	SIZE	LIST PRICE
<b>2001SS, 3001SS 1st Check Kits</b>			
LEAD FREE 7010118	ARK 2001SS/3001SS CK1	2 1/2" - 4"	\$ 492.50
7010119	ARK 2001SS/3001SS CK1	6" - 8"	609.00
Kit includes: 1st Check Assembly, Check O-Ring and Lube			
<b>2001SS, 3001SS 2nd Check Kits</b>			
LEAD FREE 7010120	ARK 2001SS/3001SS CK2	2 1/2" - 4"	575.00
7010121	ARK 2001SS/3001SS CK2	6" - 8"	774.00
Kit includes: 2nd Check Assembly, Check O-Ring and Lube			
<b>1st Check Rubber Part Kits</b>			
LEAD FREE 7010122	ARK 2001SS/3001SS RC1	2 1/2" - 4"	20.75
7010123	ARK 2001SS/3001SS RC1	6" - 8"	29.50
Kit includes: Check Disc and Check O-Ring, C-Clips(2) and Lube			
<b>2nd Check Rubber Part Kits</b>			
LEAD FREE 7010124	ARK 2001SS/3001SS RC2	2 1/2" - 4"	32.00
7010125	ARK 2001SS/3001SS RC2	6" - 8"	46.50
Kit includes: Check Disc and Check O-Ring, C-Clips(2) and Lube			
<b>Total Rubber Parts Kits</b>			
LEAD FREE 7010126	ARK 2001SS/3001SS RT	2 1/2" - 4"	46.75
7010127	ARK 2001SS/3001SS RT	6" - 8"	52.50
Kit includes: Check Disc (2) and Check O-Ring (2)			
<b>Cover Kits</b>			
LEAD FREE 7010090	ARK SS C	2 1/2" - 4"	285.50
7010091	ARK SS C	6" - 8"	404.50

Kit includes: Cover, Groove Coupler, and Gasket

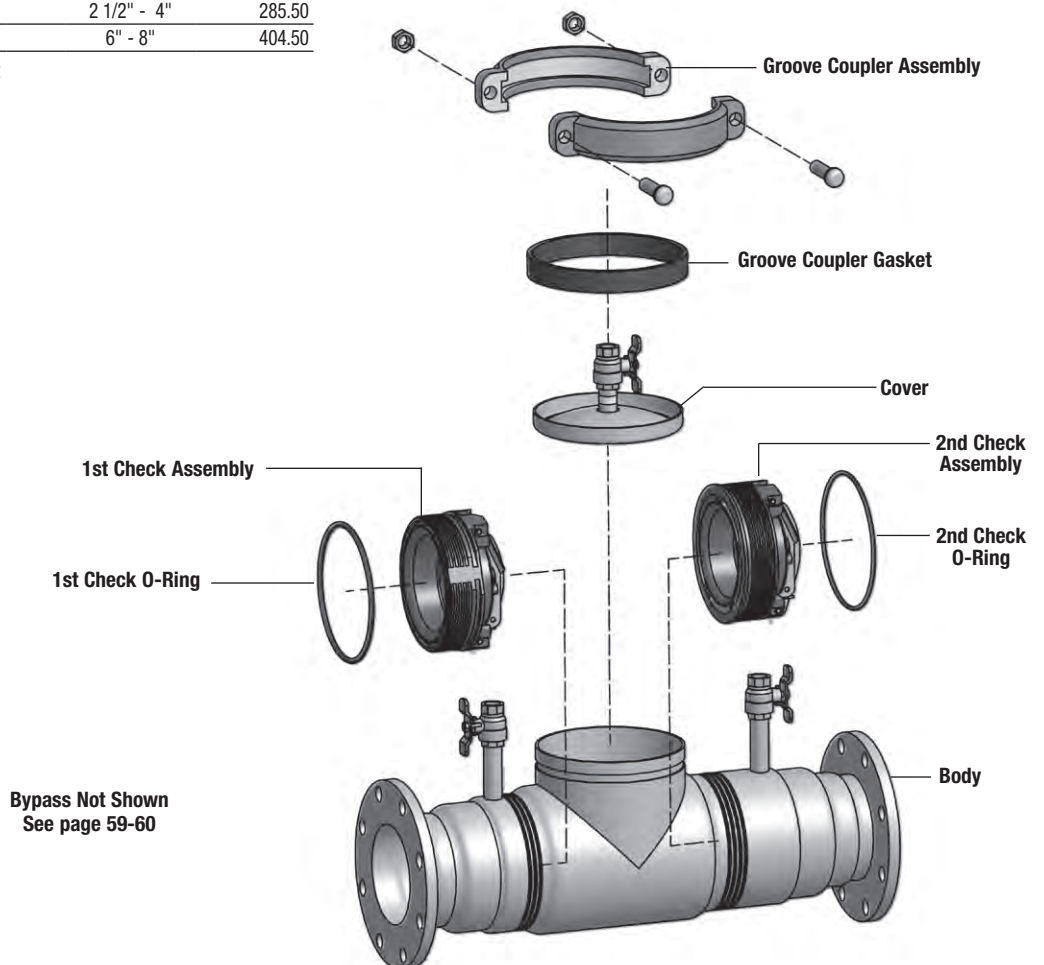
No. 1 Check Assembly



No. 2 Check Assembly



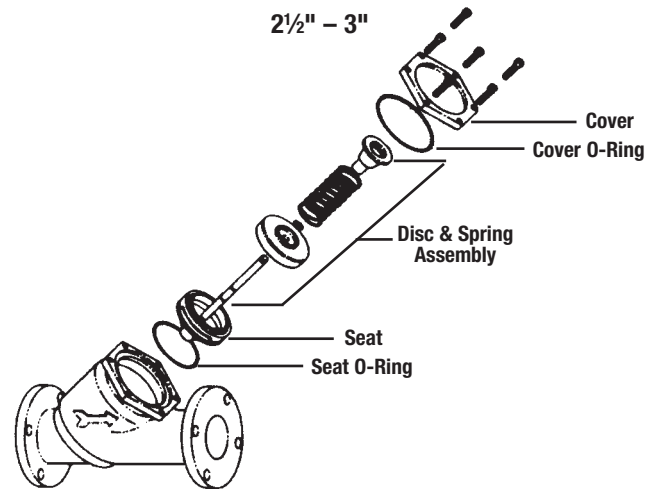
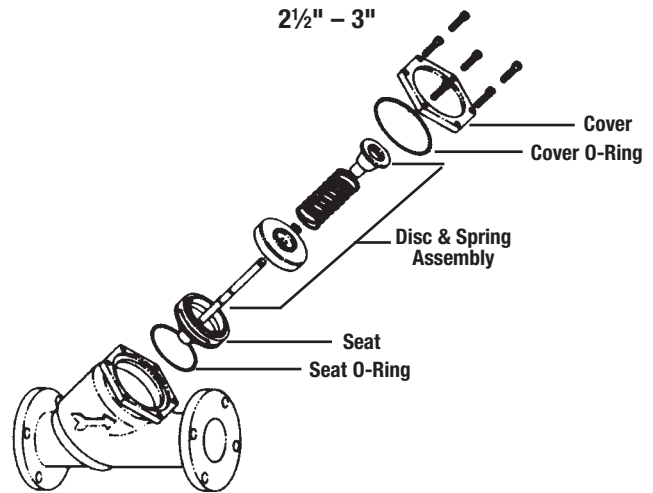
3" – 8" 2001SS/3001SS



## Repair Parts

# Series 2000CIV Double Check Valve Assembly 2½" – 3" Series 3000CIV Double Check Detector Assembly 2½" – 3"

	ORDERING CODE	KIT NO.	SIZE	LIST PRICE
<b>2000CIV 1st or 2nd Check Kit</b>				
LEAD FREE	0425406	LFARK 2000CIV CK4	2 1/2", 3"	\$ 531.50
Kit includes: Disc & Spring Assembly and Cover O-Ring				
<b>Check Rubber Kit (for one 2000CIV check)</b>				
LEAD FREE	7016305	ARK 2000CIV RC4	2 1/2", 3"	73.50
Kit includes; Seat Discs, Seat O-Ring and Cover O-Ring				
<b>2000CIV Seat Kit</b>				
LEAD FREE	0425409	LFARK 2000CIV S	2 1/2", 3"	213.50
Kit includes: Seat, Seat O-Ring				
<b>2000CIV Total Rubber Parts Kit</b>				
LEAD FREE	7016310	ARK 2000CIV RT	2 1/2", 3"	148.00
Kit includes: Two Discs, Two Cover O-Rings				
<b>2000CIV Cover Kit</b>				
LEAD FREE	7016320	ARK 2000CIV C	2 1/2", 3"	255.50
Kit includes: Cover, Cover O-Ring				
<b>3000CIV 1st Check Kit</b>				
LEAD FREE	0425407	LFARK 3000CIV CK1	2 1/2", 3"	682.00
Kit includes: Disc Assembly, Spring Assembly and Cover O-Ring				
<b>3000CIV 2nd Check Kit</b>				
LEAD FREE	0425408	LFARK 3000CIV CK2	2 1/2", 3"	534.00
Kit includes: Disc Assembly, Spring Assembly and Cover O-Ring				
<b>3000CIV Seat Kit</b>				
LEAD FREE	7016615	ARK 3000CIV S	2 1/2", 3"	160.50
Kit includes: Seat, Seat O-Ring				
<b>3000CIV Total Rubber Parts Kit</b>				
LEAD FREE	7016610	ARK 3000CIV RC4	2 1/2", 3"	73.50
Kit includes: Two Seat Discs, Two Seat O-Rings, Two Cover O-Rings				
<b>3000CIV Cover Kit</b>				
LEAD FREE	7016620	ARK 3000CIV C	2 1/2", 3"	260.00
Kit includes: Cover, Cover O-Ring				





# Repair Parts

## Series 2000CIV Double Check Valve Assembly 4" – 10" Series 3000CIV Double Check Detector Assembly 4" – 10"

	ORDERING CODE	KIT NO.	SIZE	LIST PRICE
<b>2000CIV 1st or 2nd Check Kits</b>				
LEAD FREE	0425412	LFARK 2000CIV CK4	4"	\$ 867.50
	0425413	LFARK 2000CIV CK4	6"	1,498.00
	0425414	LFARK 2000CIV CK4	8"	2,742.00
	0425415	LFARK 2000CIV CK4	10"	3,691.00

Kit includes: Disc & Spring Assembly and Cover O-Ring

### Check Rubber Parts Kits (for one 2000CIV check)

LEAD FREE	7016306	ARK 2000CIV RC4	4"	98.25
	7016307	ARK 2000CIV RC4	6"	112.50
	7016308	ARK 2000CIV RC4	8"	135.50
	7016309	ARK 2000CIV RC4	10"	185.50

Kit includes: Disc and Cover O-Ring

### 2000CIV Total Rubber Parts Kits

LEAD FREE	7016311	ARK 2000CIV RT	4"	196.50
	7016312	ARK 2000CIV RT	6"	224.00
	7016313	ARK 2000CIV RT	8"	271.00
	7016314	ARK 2000CIV RT	10"	371.00

Kit includes: Two Discs and Two Cover O-Rings

### 2000CIV Seat Kits

LEAD FREE	0425424	LFARK 2000CIV S	4"	312.50
	0425425	LFARK 2000CIV S	6"	538.00
	0425426	LFARK 2000CIV S	8"	1,285.00
	0425427	LFARK 2000CIV S	10"	1,501.00

Kit includes: Seat, Seat O-Ring, Retainer Wire and Cover O-Ring

### 2000CIV Cover Kits

LEAD FREE	7016321	ARK 2000CIV C	4"	286.00
	7016322	ARK 2000CIV C	6"	399.00
	7016323	ARK 2000CIV C	8"	654.50
	7016324	ARK 2000CIV C	10"	1,467.00

Kit includes: Cover and Cover O-Ring

### 3000CIV 1st Check Kits

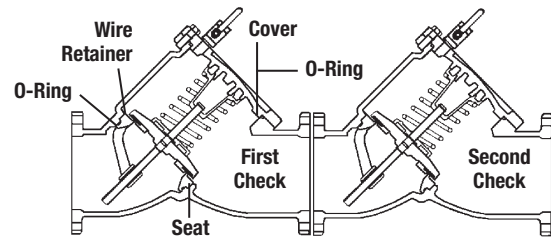
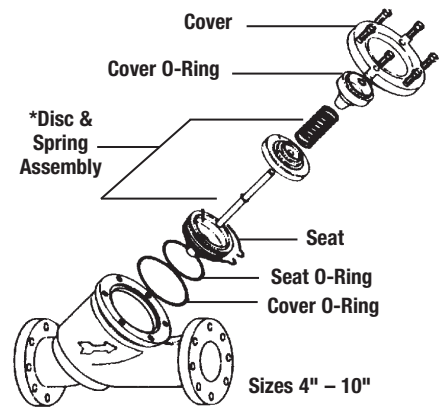
LEAD FREE	0425416	LFARK 3000CIVCK1	4"	948.00
	0425417	LFARK 3000CIVCK1	6"	1,712.00
	0425418	LFARK 3000CIVCK1	8"	3,095.00
	0425419	LFARK 3000CIVCK1	10"	4,594.00

Kit includes: Disc Assembly, Spring Assembly and Cover O-Ring

### 3000CIV 2nd Check Kits

LEAD FREE	0425420	LFARK 3000CIVCK2	4"	867.50
	0425421	LFARK 3000CIVCK2	6"	1,498.00
	0425422	LFARK 3000CIVCK2	8"	2,742.00
	0425423	LFARK 3000CIVCK2	10"	3,691.00

Kit includes: Disc Assembly, Spring Assembly and Cover O-Ring



	ORDERING CODE	KIT NO.	SIZE	LIST PRICE
<b>Rubber Parts Kits (for one 3000CIV check)</b>				
LEAD FREE	7016611	ARK 3000CIV RC4	4"	\$ 98.25
	7016612	ARK 3000CIV RC4	6"	112.50
	7016613	ARK 3000CIV RC4	8"	135.50
	7016614	ARK 3000CIV RC4	10"	185.50

Kit includes: Disc and Cover O-Ring

### 3000CIV Seat Kits

LEAD FREE	0425428	LFARK 3000CIVS	4"	312.50
	0425429	LFARK 3000CIVS	6"	538.00
	0425430	LFARK 3000CIVS	8"	1,285.00
	0425431	LFARK 3000CIVS	10"	1,501.00

Kit includes: Seat, Seat O-Ring, Retainer Wire and Cover O-Ring

### 3000CIV Cover Kits

LEAD FREE	7016621	ARK 3000CIV C	4"	291.50
	7016622	ARK 3000CIV C	6"	406.50
	7016623	ARK 3000CIV C	8"	667.00
	7016624	ARK 3000CIV C	10"	1,496.00

Kit includes: Cover and Cover O-Ring

# Repair Parts

## Series 2000DCA Double Check Valve Assembly 4" – 10" Series 3000DCDA Double Check Detector Assembly 4" – 10"

ORDERING CODE	KIT NO.	SIZE	LIST PRICE
---------------	---------	------	------------

### 2000DCA, 3000DCDA 1st or 2nd Check Kits

LEAD FREE	7010154	ARK 2000DCA CK4	4"	\$ 472.50
	7010155	ARK 2000DCA CK4	6"	495.50
	7010156	ARK 2000DCA CK4	8"	704.50
	7010157	ARK 2000DCA/3000DCDA CK4	10"	1,027.00
	7010158	ARK 3000DCA CK4	4"	497.50
	7010159	ARK 3000DCA CK4	6"	561.50
	7010160	ARK 3000DCA CK4	8"	778.00

Kit includes: Check Assembly (1) and Check Mounting Hardware

### Cover Kits

LEAD FREE	7010142	ARK EPOXY C	4"	361.00
	7010143	ARK EPOXY C	6"	531.00
	7010144	ARK EPOXY C	8" - 10"	756.00

Kit includes: Cover, Cover Gasket and Vent Screw

ORDERING CODE	KIT NO.	SIZE	LIST PRICE
---------------	---------	------	------------

### Seat Kits

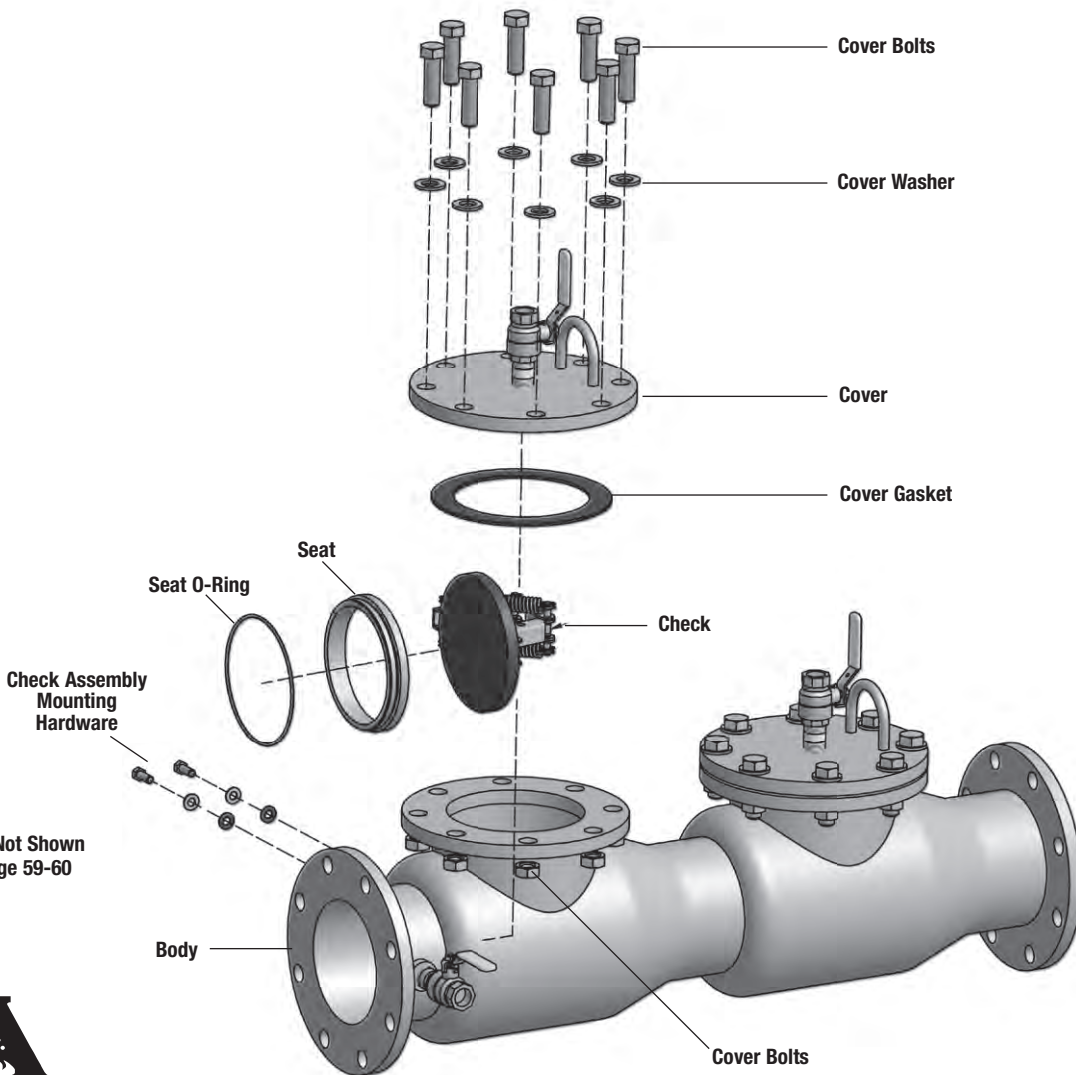
7010145	ARK EPOXY S	4"	\$ 176.50
7010146	ARK EPOXY S	6"	265.00
7010147	ARK EPOXY S	8" - 10"	385.00

Kit includes: Seat, Seat O-Ring and Cover Gasket

### Tools

7013911	RETAINER CLIP	4"	84.75
7013912	RETAINER CLIP	6"	138.50
7013913	RETAINER CLIP	8" - 10"	107.50
7013941	SEAT INSTALL-REMOVAL TOOL	4"	1,033.00
7013946	SEAT INSTALL-REMOVAL TOOL	6"	1,257.00
7013950	SEAT INSTALL-REMOVAL TOOL	8" - 10"	1,242.00

### 4" – 10" 2000DCA/3000DCDA



# Repair Parts

## Series 2000DC Double Check Valve Assembly 4" – 10" Series 3000DCDC Double Check Detector Assembly 4" – 10"

ORDERING CODE	KIT NO.	SIZE	LIST PRICE
---------------	---------	------	------------

### 2000DC, 3000DCDC Check Kits

LEAD FREE	7010151	ARK 2000DC/3000DCDC CK4	4"	\$ 2,898.00
	7010153	ARK 2000DC/3000DCDC CK4	8" - 10"	1,027.00

Kit includes: Check Assembly, Bonnet Gasket and Check Mounting Hardware

### Cover Kits

LEAD FREE	7010142	ARK EPOXY C	4"	361.00
	7010143	ARK EPOXY C	6"	531.00
	7010144	ARK EPOXY C	8" - 10"	756.00

Kit includes: Cover, Cover Gasket, Vent Screw

ORDERING CODE	KIT NO.	SIZE	LIST PRICE
---------------	---------	------	------------

### Seat Kits

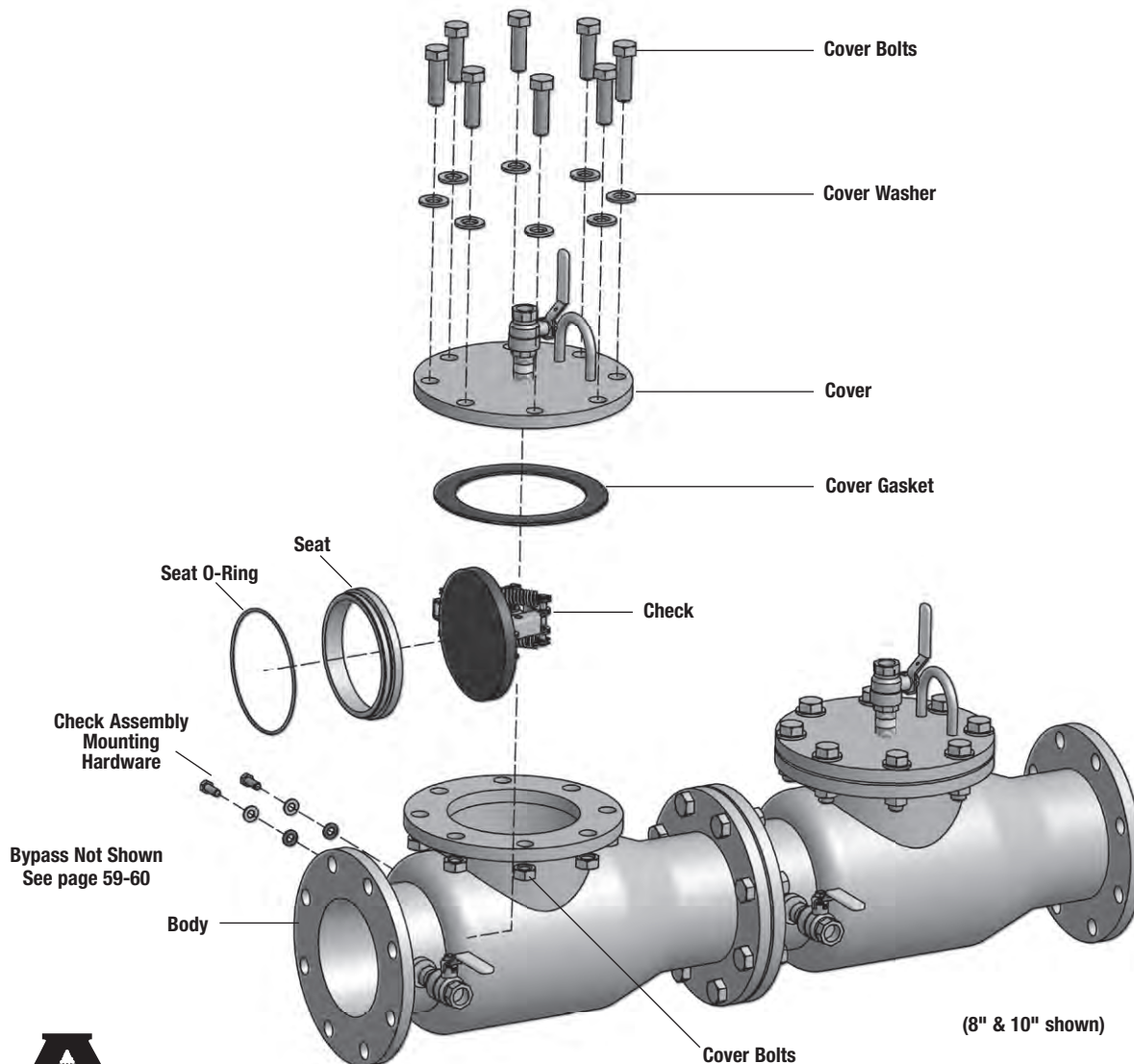
7010145	ARK EPOXY S	4"	\$ 176.50
7010146	ARK EPOXY S	6"	265.00
7010147	ARK EPOXY S	8" - 10"	385.00

Kit includes: Seat, Seat O-Ring and Cover Gasket

### Tools

7013911	RETAINER CLIP	4"	84.75
7013912	RETAINER CLIP	6"	138.50
7013913	RETAINER CLIP	8" - 10"	107.50
7013941	SEAT INSTALL-REMOVAL TOOL	4"	1,033.00
7013946	SEAT INSTALL-REMOVAL TOOL	6"	1,257.00
7013950	SEAT INSTALL-REMOVAL TOOL	8" - 10"	1,242.00
7016090	TONG TOOL		202.50

### 4" – 10" 2000DC/3000DCDC



ORDERING CODE	KIT NO.	SIZE	LIST PRICE
---------------	---------	------	------------

### 1st Check Kits

LEAD FREE	7018486	ARK 400B CK1	3/4"	66.25
	7018487	ARK 400B CK1	1"	66.25
	7018488	ARK 400B CK1	1 1/4" - 1 1/2"	121.50
	7018489	ARK 400B CK1	2"	130.00

Kit includes: Check Assembly, Seat, Seat O-Ring, Spring and Cover O-Ring

### 2nd Check Kits

LEAD FREE	7018491	ARK 400B CK2	3/4"	60.25
	7018492	ARK 400B CK2	1"	60.25
	7018493	ARK 400B CK2	1 1/4" - 1 1/2"	113.50
	7018494	ARK 400B CK2	2"	115.50

Kit includes: Check Assembly, Seat, Seat O-Ring, Spring and Cover O-Ring

### 1st or 2nd Check Rubber Parts Kits

LEAD FREE	7018496	ARK 400B RC4	3/4"	12.75
	7018497	ARK 400B RC4	1"	12.75
	7018498	ARK 400B RC4	1 1/4" - 1 1/2"	16.50
	7018499	ARK 400B RC4	2"	17.50

Kit includes: Disc, Seat O-Ring and Cover O-Ring

### Seat Kits

LEAD FREE	7018501	ARK 400B S	3/4"	42.50
	7018502	ARK 400B S	1"	43.75
	7018503	ARK 400B S	1 1/4" - 1 1/2"	66.75
	7018504	ARK 400B S	2"	74.00

Kit includes: Seat, Seat O-Ring and Cover O-Ring

### Total Rubber Parts Kits

LEAD FREE	7018506	ARK 400B RT	3/4"	71.00
	7018507	ARK 400B RT	1"	74.00
	7018508	ARK 400B RT	1 1/4" - 1 1/2"	89.75
	7018509	ARK 400B RT	2"	93.50

Kit includes: 2 Check Discs, 2 Check Seat O-Rings, 2 Check Cover O-Rings, RV Disc, RV O-Ring, and RV Cover O-Ring, RV Diaphragm

### Cover Kits

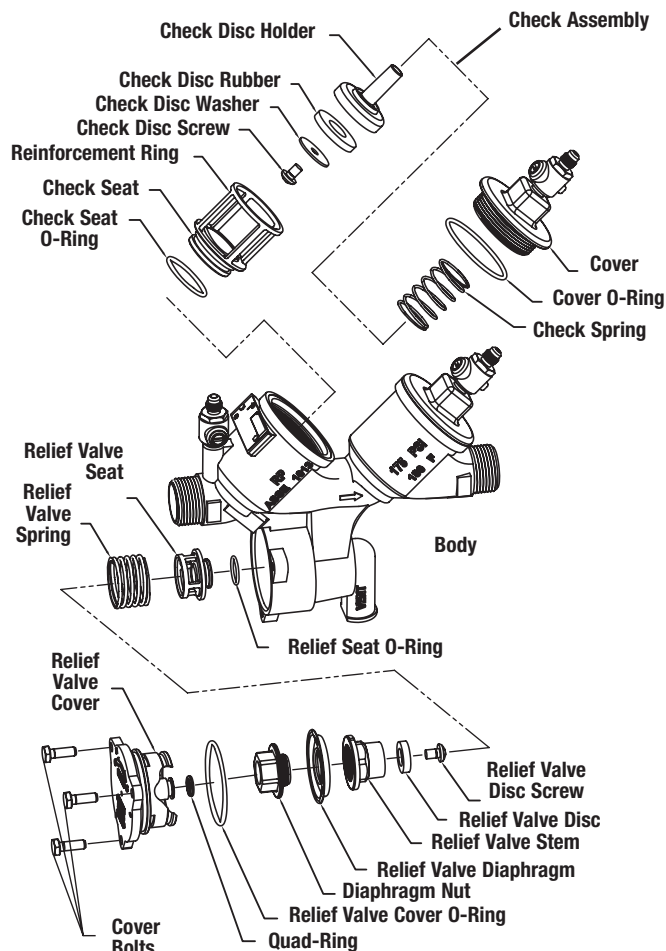
LEAD FREE	0425499	LFARK 400B C	1/4" - 1/2"	69.75
	0425500	LFARK 400B C	3/4"	117.00
	0425501	LFARK 400B C	1"	117.00
	0425502	LFARK 400B C	1 1/4" - 1 1/2"	157.00
	0425503	LFARK 400B C	2"	177.50

Kit includes: Cover and Cover O-Ring

### Total Relief Valve Kits

LEAD FREE	7018516	ARK 400B VT	3/4" - 1"	174.50
	7018517	ARK 400B VT	1 1/4" - 2"	228.00

Kit includes: Relief Valve Assembly, RV Spring and RV Cover O-Ring



Note: For 1/2" and 3/4" 400B R10 models, use 1" repair kits.  
For 1 1/4" 400B R15 models, use 1 1/4" - 1 1/2" repair kits.

ORDERING CODE	KIT NO.	SIZE	LIST PRICE
---------------	---------	------	------------

### Relief Valve Rubber Parts Kits

LEAD FREE	7018518	ARK 400B RV	1/4" - 1/2"	\$42.00
	7018519	ARK 400B RV	3/4" - 1"	49.25
	7018520	ARK 400B RV	1 1/4" - 2"	55.75

Kit includes: Relief Valve Disc, RV Diaphragm, RV Seat O-Ring and Cover O-Ring

### Relief Valve Seat Kits

LEAD FREE	7018522	ARK 400B SV	3/4" - 1"	14.25
	7018523	ARK 400B SV	1 1/4" - 2"	11.25

Kit includes: Relief Valve Seat, RV Seat O-Ring and RV Cover O-Ring

### Relief Valve Cover Kits

LEAD FREE	0425496	LFARK 400B VC	1/4" - 1/2"	100.50
	0425497	LFARK 400B VC	3/4" - 1"	96.75
	0425498	LFARK 400B VC	1 1/4" - 2"	100.50

Kit includes: Relief Valve Cover and RV Cover O-Ring

ORDERING CODE	KIT NO.	SIZE	LIST PRICE
<b>1st Check Kits</b>			
7016635	ARK 4000B CK1	1/2"	\$ 42.00
7016636	ARK 4000BM2 CK1	3/4"	35.25
7016637	ARK 4000BM3 CK1	3/4"	35.25
7016638	ARK 4000B CK1	1"	64.00
7018650	ARK 4000BM2 CK1	1"	64.00
7016639	ARK 4000B CK1	1 1/4" - 1 1/2"	122.50
7016640	ARK 4000B CK1	2"	130.00

Kit includes: Check Assembly and Cover O-Ring

**2nd Check Kits**

7016641	ARK 4000B CK2	1/2"	41.00
7016642	ARK 4000BM2 CK2	3/4"	29.00
7016643	ARK 4000BM3 CK2	3/4"	29.00
7016644	ARK 4000B CK2	1"	58.25
7018651	ARK 4000BM2 CK2	1"	58.25
7016645	ARK 4000B CK2	1 1/4" - 1 1/2"	113.50
7016646	ARK 4000B CK2	2"	115.50

Kit Includes: Check Assembly and Cover O-Ring

**1st and 2nd Check Rubber Parts Kits**

7016647	ARK 4000B RC3	1/2"	25.00
7016648	ARK 4000BM2 RC3	3/4"	24.00
7016649	ARK 4000BM3 RC3	3/4"	24.00

**1st Check Rubber Parts Kits**

7016650	ARK 4000B RC1	1"	12.75
7018652	ARK 4000BM2 RC1	1"	12.75
7016652	ARK 4000BM2 RC1	1 1/4" - 1 1/2"	25.75
7016653	ARK 4000BM2 RC1	2"	27.25

Kit Includes: Disc, Cover O-Ring and Seat O-Ring

**2nd Check Rubber Parts Kits**

7016651	ARK 4000B RC2	1"	12.50
7018653	ARK 4000BM2 RC2	1"	12.50
7016659	ARK 4000B RC2	1 1/4" - 1 1/2"	25.75
7016660	ARK 4000B RC2	2"	27.25

Kit Includes: Second Check Assembly O-Ring, Disc Holder Assembly, Cover O-Ring, and Sensing Passage O-Ring

**Check Retainers**

7016654	ARK 4000B Retainer	1/2"	3.00
7016655	ARK 4000B Retainer	3/4"	3.00
7016665	ARK4000B-M2/M3 Retainer	3/4"	3.00
7016656	ARK 4000B Retainer	1"	4.00
7016657	ARK 4000B Retainer	1 1/4" - 1 1/2"	8.75
7016658	ARK 4000B Retainer	2"	27.75

**Total Relief Valve Kits**

7016363	ARK 4000B VT	1/2"	98.00
7016364	ARK 4000BM2 VT	3/4"	123.00
7016365	ARK 4000BM3 VT	3/4"	123.00
7016366	ARK 4000B VT	1"	168.00
7018654	ARK 4000BM2 VT	1"	168.00
7016367	ARK 4000B VT	1 1/4" - 1 1/2"	228.00
7016368	ARK 4000B VT	2"	317.00

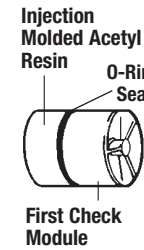
Kit Includes: Seat, Seat O-Ring, Stem & Diaphragm Assembly Stem O-Ring, Cover O-Ring and RV Spring

**Relief Valve Rubber Parts Kits**

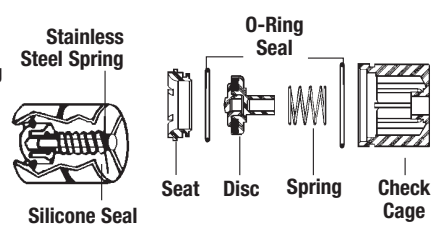
7016369	ARK 4000B RV	1/2"	42.00
7016370	ARK 4000BM2 RV	3/4"	47.75
7016371	ARK 4000BM3 RV	3/4"	47.75
7016372	ARK 4000B RV	1"	47.75
7018655	ARK 4000BM2 RV	1"	47.75
7016373	ARK 4000B RV	1 1/4" - 1 1/2"	55.75
7016374	ARK 4000B RV	2"	57.00

Kit Includes: Diaphragm, Disc Assembly, Stem O-Rings, Seat O-Ring and Cover O-Ring

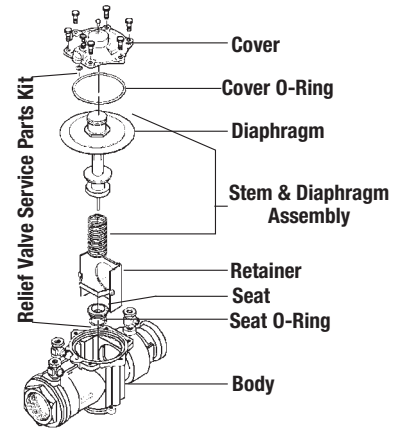
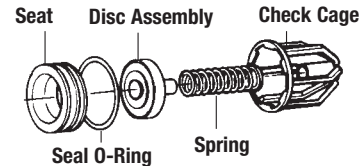
**Check Assembly – 3/4"**



**Check Assembly 3/4" M3**



**Check Assembly 1" – 2"**



ORDERING CODE	KIT NO.	SIZE	LIST PRICE
---------------	---------	------	------------

**Total Rubber Parts Kits**

7016375	ARK 4000B RT	1/2"	\$66.75
7016376	ARK 4000BM2 RT	3/4"	71.00
7016377	ARK 4000BM3 RT	3/4"	74.00
7016378	ARK 4000B RT	1"	71.00
7018656	ARK 4000BM2 RT	1"	71.00
7016379	ARK 4000B RT	1 1/4" - 1 1/2"	110.00
7016380	ARK 4000B RT	2"	111.50

Kit Includes: Diaphragm, Two Disc, Two Disc Assemblies, Stem O-Rings, Cover O-Rings, Two Seat O-Rings and RV Seat O-Ring

**Cover Kits**

7016382	ARK 4000B M2 C	3/4"	67.50
7016384	ARK 4000B C	1"	99.75
0425438	LFARK 4000B C	1/4" - 1/2"	69.75
0425439	LFARK 4000B M3 C	3/4"	77.50
0425440	LFARK 4000B M2 C	1"	123.50
0425441	LFARK 4000B C	1 1/4" - 1 1/2"	157.00
0425442	LFARK 4000B C	2"	177.50

Kit Includes: Cover and Cover O-Ring

\*The wetted surface of this product contacted by consumable water contains less than 0.25% of lead by weight.



**Series C-400 Reduced Pressure Zone Assembly 2 1/2" – 10"**  
**Series C-500/LFC-500 Reduced Pressure Zone Detector Assembly 2 1/2" – 10"**

ORDERING CODE	KIT NO.	SIZE	CHECK DISK MATERIAL	LIST PRICE
---------------	---------	------	---------------------	------------

**C400, C500 1st Check Kits**

LEAD FREE	7010023	ARK C400/C500 CK1	2 1/2" - 4"	Red Silicone	\$ 331.00
	7010025	ARK C400/C500 CK1	6"	Red Silicone	491.50
	7010026	ARK C400/C500 CK1	8"	Red Silicone	782.00
	7010027	ARK C400/C500 CK1	10"	Red Silicone	1,061.00
	7010022	ARK C400/C500 CK1-E	2 1/2" - 4"	EPDM	331.00
	7010024	ARK C400/C500 CK1-E	6"	EPDM	491.50

Kit includes: 1st Check Assembly and Check O-Ring

**C400, C500 2nd Check Kits**

LEAD FREE	7010029	ARK C400/C500 CK2	2 1/2" - 4"	Red Silicone	312.50
	7010031	ARK C400/C500 CK2	6"	Red Silicone	434.00
	7010032	ARK C400/C500 CK2	8"	Red Silicone	719.50
	7010033	ARK C400/C500 CK2	10"	Red Silicone	904.50
	7010028	ARK C400/C500 CK2-E	2 1/2" - 4"	EPDM	312.50
	7010030	ARK C400/C500 CK2-E	6"	EPDM	434.00

Kit Includes: 2nd Check Assembly and Check O-Ring

**Check Rubber Parts Kits**

LEAD FREE	7010035	ARK C400/C500 RC4	2 1/2" - 4"	Red Silicone	40.75
	7010037	ARK C400/C500 RC4	6"	Red Silicone	52.00
	7010038	ARK C400/C500 RC4	8"	Red Silicone	72.75
	7010039	ARK C400/C500 RC4	10"	Red Silicone	163.00
	7010034	ARK C400/C500 RC4-E	2 1/2" - 4"	EPDM	40.75
	7010036	ARK C400/C500 RC4-E	6"	EPDM	52.00

Kit includes: Shutoff Disk (1), Check O-Ring (1), E-Clip and Lube

**Total Rubber Parts Kits**

LEAD FREE	7010041	ARK C400/C500 RT	2 1/2" - 4"	Red Silicone	278.00
	7010043	ARK C400/C500 RT	6"	Red Silicone	299.00
	7010044	ARK C400/C500 RT	8"	Red Silicone	340.50
	7010045	ARK C400/C500 RT	10"	Red Silicone	559.50
	7010040	ARK C400/C500 RT-E	2 1/2" - 4"	EPDM	278.00
	7010042	ARK C400/C500 RT-E	6"	EPDM	299.00

Kit Includes: Shutoff Disk (2), Check O-Ring (2), E-Clip (2), RV Diaphragm, RV Piston, Sleeve O-Rings (2), RV E-Clip, RV O-Ring and Lube

**Total Relief Valve Kit**

LEAD FREE	7010046	ARK C/M 400/500 VT	2 1/2" - 10"		733.00
-----------	---------	--------------------	--------------	--	--------

Kit Includes: Complete RV w/36" Hose, RV O-Ring and Lube

**Relief Valve Rubber Parts Kit**

LEAD FREE	7010047	ARK C/M 400/500 RV	2 1/2" - 10"		207.50
-----------	---------	--------------------	--------------	--	--------

Kit Includes: RV Diaphragm, RV Piston, RV E-Clip, RV O-Ring and Lube

**Cover Kits**

LEAD FREE	7020198	ARK C/M C	2 1/2" - 4"		395.50
	7020199	ARK C/M C	6"		531.00
	7020200	ARK C/M C	8"		907.00
	7020201	ARK C/M C	10"		1,107.00

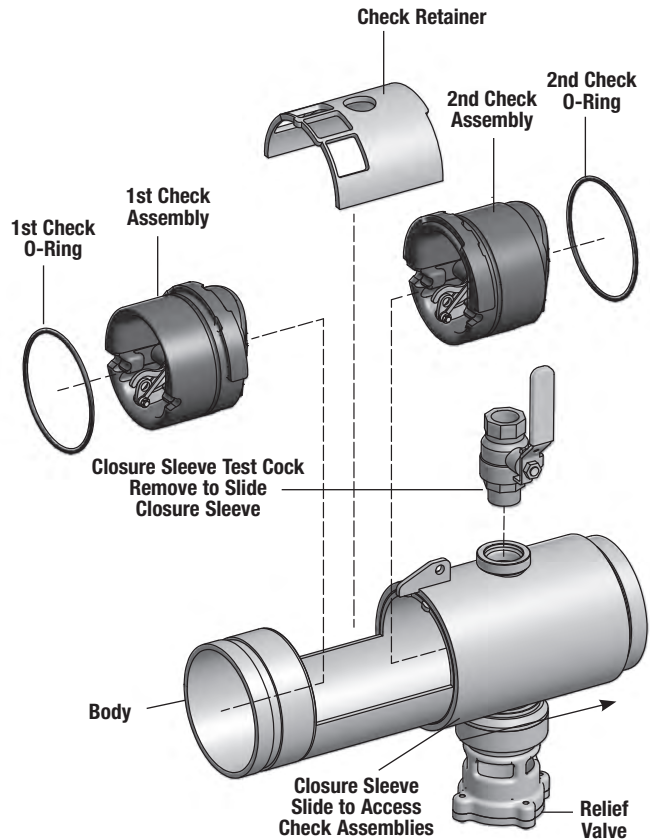
Kit Includes: Cover Sleeve, Sleeve O-Ring (2) and Lube

**Test Cocks**

LEAD FREE	7018152	ARK C/M TC3	1/2"	(2 1/2" - 4")	109.50
	7018153	ARK C/M TC3	3/4"	(6" - 10")	109.50

Sleeve Test Cock #3

**2 1/2" – 10" C400/C500**



ORDERING CODE	KIT NO.	SIZE	CHECK DISK MATERIAL	LIST PRICE
---------------	---------	------	---------------------	------------

**M400, M500 1st Check Kits**

LEAD FREE	7010067	ARK M400/M500 CK1	2 1/2" - 3"	Red Silicone	\$ 331.00
	7010069	ARK M400/M500 CK1	4"	Red Silicone	491.50
	7010070	ARK M400/M500 CK1	6"	Red Silicone	782.00
	7010071	ARK M400/M500 CK1	8" - 10"	Red Silicone	1,061.00
	7010066	ARK M400/M500 CK1-E	2 1/2" - 3"	EPDM	331.00
	7010068	ARK M400/M500 CK1-E	4"	EPDM	491.50

Kit includes: 1st Check Assembly, Check O-Ring and Lube

**M400, M500 2nd Check Kits**

LEAD FREE	7010073	ARK M400/M500 CK2	2 1/2" - 3"	Red Silicone	312.50
	7010075	ARK M400/M500 CK2	4"	Red Silicone	434.00
	7010076	ARK M400/M500 CK2	6"	Red Silicone	719.50
	7010077	ARK M400/M500 CK2	8" - 10"	Red Silicone	904.50
	7010072	ARK M400/M500 CK2-E	2 1/2" - 3"	EPDM	312.50
	7010074	ARK M400/M500 CK2-E	4"	EPDM	434.00

Kit includes: 2nd Check Assembly, Check O-Ring and Lube

**Check Rubber Parts Kits**

LEAD FREE	7010079	ARK M400/M500 RC4	2 1/2" - 3"	Red Silicone	40.75
	7010081	ARK M400/M500 RC4	4"	Red Silicone	52.00
	7010082	ARK M400/M500 RC4	6"	Red Silicone	33.00
	7010083	ARK M400/M500 RC4	8" - 10"	Red Silicone	163.00
	7010078	ARK M400/M500 RC4-E	2 1/2" - 3"	EPDM	40.75
	7010080	ARK M400/M500 RC4-E	4"	EPDM	52.00

Kit includes: Shutoff Disk (1), Check O-Ring (1), E-Clip and Lube

**Total Rubber Parts Kits**

LEAD FREE	7010085	ARK M400/M500 RT	2 1/2" - 3"	Red Silicone	278.00
	7010087	ARK M400/M500 RT	4"	Red Silicone	299.00
	7010088	ARK M400/M500 RT	6"	Red Silicone	340.50
	7010089	ARK M400/M500 RT	8" - 10"	Red Silicone	559.50
	7010084	ARK M400/M500 RT-E	2 1/2" - 3"	EPDM	278.00
	7010086	ARK M400/M500 RT-E	4"	EPDM	299.00

Kit Includes: Shutoff Disk (2), Check O-Ring (2), Sleeve O-Ring (2), E-Clip (2), RV Diaphragm, RV Piston, RV E-Clip, RV O-Ring and Lube

**Total Relief Valve Kit**

LEAD FREE	7010046	ARK C/M 400/500 VT	2 1/2" - 10"		733.00
-----------	---------	--------------------	--------------	--	--------

Kit Includes: Complete RV w/36" Hose, RV O-Ring and Lube

**Relief Valve Rubber Parts Kit**

LEAD FREE	7010047	ARK C/M 400/500 RV	2 1/2" - 10"		207.50
-----------	---------	--------------------	--------------	--	--------

Kit Includes: RV Diaphragm, RV Piston, RV E-Clip, RV O-Ring and Lube

**Cover Kits**

LEAD FREE	7020198	ARK C/M C	2 1/2" - 4"		395.50
	7020199	ARK C/M C	6"		531.00
	7020200	ARK C/M C	8"		907.00
	7020201	ARK C/M C	10"		1,107.00

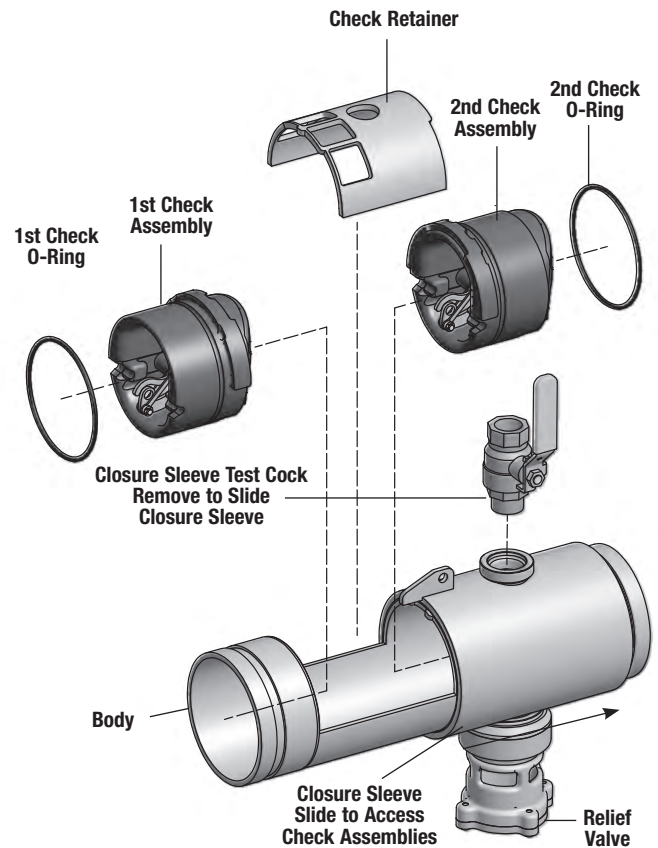
Kit includes: Closure Sleeve, Sleeve O-Ring (2) and Lube

**Test Cocks**

LEAD FREE	7018152	ARK C/M TC3	1/2"	(2 1/2" - 3")	109.50
	7018153	ARK C/M TC3	3/4"	(4" - 10")	109.50

Sleeve Test Cock #3

2½" – 10" M400/M500



## Repair Parts

# Series C-400/C/M-400 Reduced Pressure Zone Assembly 2½" – 10" Series C-500/C/M/LFC/LFM-500 Reduced Pressure Detector Assembly 2½" – 10"

### Relief Valve Kits

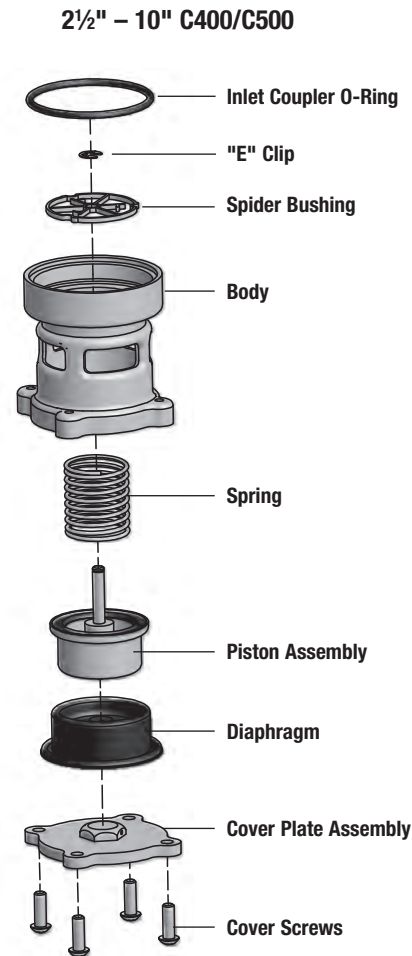
When ordering specify Ordering Code, Kit No., and Valve Size.

	ORDERING CODE	KIT NO.	SIZE	LIST PRICE
<b>Total Relief Valve Kit</b>				
LEAD FREE	7010046	ARK C/M 400/500 VT	2 1/2" - 10"	\$ 733.00

Kit Includes: Complete RV w/36" Hose, RV O-Ring and Lube

	ORDERING CODE	KIT NO.	SIZE	LIST PRICE
LEAD FREE	7010047	ARK C/M 400/500 RV	2 1/2" - 10"	207.50

Kit Includes: RV Diaphragm, RV Piston, RV E-Clip, RV O-Ring and Lube



## Repair Parts

### Series C/M-400, C/M-500, LFC/LFM-500 Relief Valve Sensing Lines

#### Colt

DESCRIPTION	USE FOR	ORDERING CODE	LIST PRICE
Hose 1/2 x 20"	2 1/2 – 4 C400, C500/LFC500	7018890	\$8.75
Hose 1/2 x 24"	2 1/2 & 3 C400 N & Z	7018891	9.75
	2 1/2 & 3 C500 N & Z		
Hose 1/2 x 30"	6 C400, 4 C400N, 2 1/2, 3, 4 C400Z, 6, 8 C500/LFC500 4, 6, 8 C500/LFC500 N & Z, 2 1/2, 3, 4 C500BFG/LFC500BFG, 2 1/2, 3, 4, 6 C500BFG/LFC500BFG N & Z	7018892	11.00
Hose 1/2 x 36"	8 & 10 C400, 6, 8, 10 C400 N & Z, 10 C500/LFC500 N & Z, 6 & 8 C500BFG/LFC500BFG N & Z	7018893	13.25

#### Maxim

DESCRIPTION	USE FOR	ORDERING CODE	LIST PRICE
Hose 1/2 x 20"	2 1/2 & 3 M400, M500/LFM500	7018890	\$8.75
Hose 1/2 x 24"	2 1/2 & 3 M400 N & Z	7018891	9.75
Hose 1/2 x 30"	6 M400, 2.5, 3, 4 M500/LFM500, 2 1/2, 3, 4 M400 N & Z, 2 1/2, 3, 4 M500/LFM500 N & Z, 2 1/2 & 3 M500/LFM500 N & Z BFG	7018892	11.00
Hose 1/2 x 36"	8 & 10 M400, 6, 8, 10 M400 N & Z, 4 & 6 M400BFG N & Z, 6, 8, 10 M500/LFM500, 6, 8, 10 M500/LFM500 N & Z 4 & 6 M500/LFM500BFG N & Z	7018893	13.25



# Repair Parts

## Series 4000SS Reduced Pressure Zone Assembly 2½" – 10" Series 5000SS Reduced Pressure Detector Assembly 2½" – 10"

ORDERING CODE	KIT NO.	SIZE	LIST PRICE
---------------	---------	------	------------

### 4000SS, 5000SS 1st Check Kits

LEAD FREE	7010107	ARK 4000SS/5000SS CK1	2 1/2" - 4"	\$ 329.00
	7010108	ARK 4000SS/5000SS CK1	6"	353.00
	7010109	ARK 4000SS/5000SS CK1	8" - 10"	1,498.00

Kit includes: 1st Check, Check O-Ring, Retaining Nuts (4) and Lube

### 4000SS, 5000SS 2nd Check Kits

LEAD FREE	7010110	ARK 4000SS/5000SS CK2	2 1/2" - 4"	297.50
	7010111	ARK 4000SS/5000SS CK2	6"	317.00
	7010112	ARK 4000SS/5000SS CK2	8" - 10"	913.00

Kit includes: 2nd Check, Check O-Ring, Retaining Bolts (4) and Lube

### Relief Valve Kit

LEAD FREE	7010114	ARK 4000SS/5000SS VT	2 1/2" - 10"	1,145.00
-----------	---------	----------------------	--------------	----------

Kit Includes: Complete RV, RV O-Ring and Lube

### Relief Valve Rubber Parts Kit

LEAD FREE	7010113	ARK 4000SS/5000SS RV	2 1/2" - 10"	182.00
-----------	---------	----------------------	--------------	--------

Kit Includes: RV Diaphragm, Piston, RV Disc, RV Disc O-Ring and Lube

### Cover Kits

LEAD FREE	7010090	ARK SS C	2 1/2" - 4"	285.50
	7010091	ARK SS C	6"	404.50
	7010093	ARK SE/SS C	8" - 12"	622.50

Kit includes: Grooved Couple, and Gasket

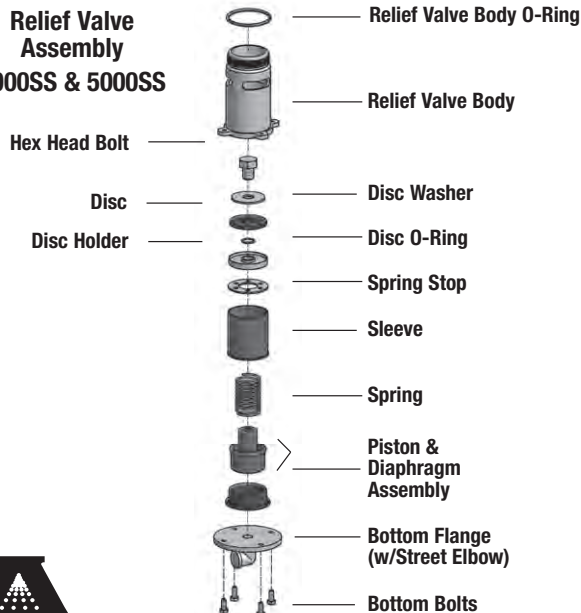
### 4000BLT, 6000HMB Kits

LEAD FREE	7010115	ARK HMB/BLT CK1	2 1/2" - 3"	329.00
	7010116	ARK HMB/BLT CK2	2 1/2" - 3"	408.00
	7010117	ARK HMB/BLT VT	2 1/2" - 3"	1,316.00
	7010090	ARK SS C	2 1/2" - 4"	285.50
	7017555	SUPPORT ROD, REPLACEMENT		363.00

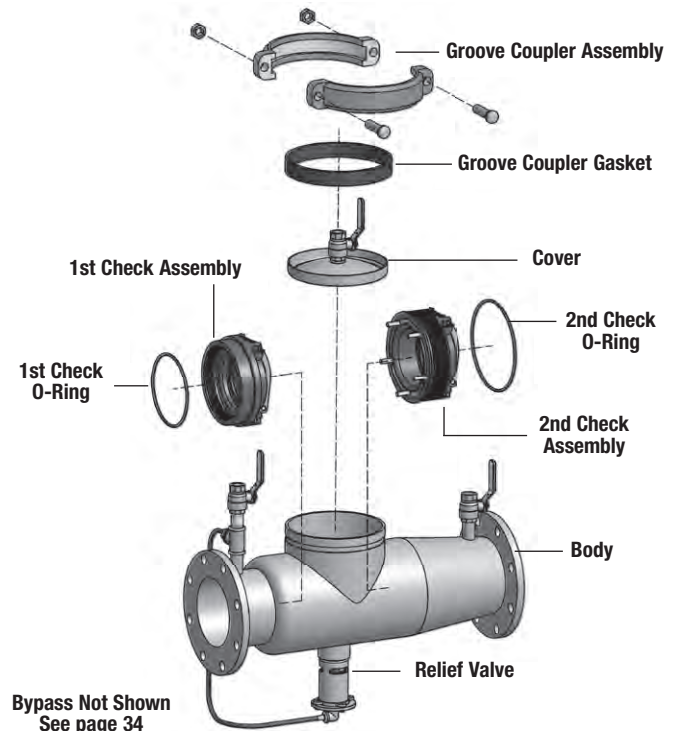
### RV Sensing Hoses

LEAD FREE	7013343	ARK 4000SS/5000SS RVH	2 1/2" - 6"	176.50
	7013522	ARK 4000SS/5000SS RVH	8" - 10"	192.50

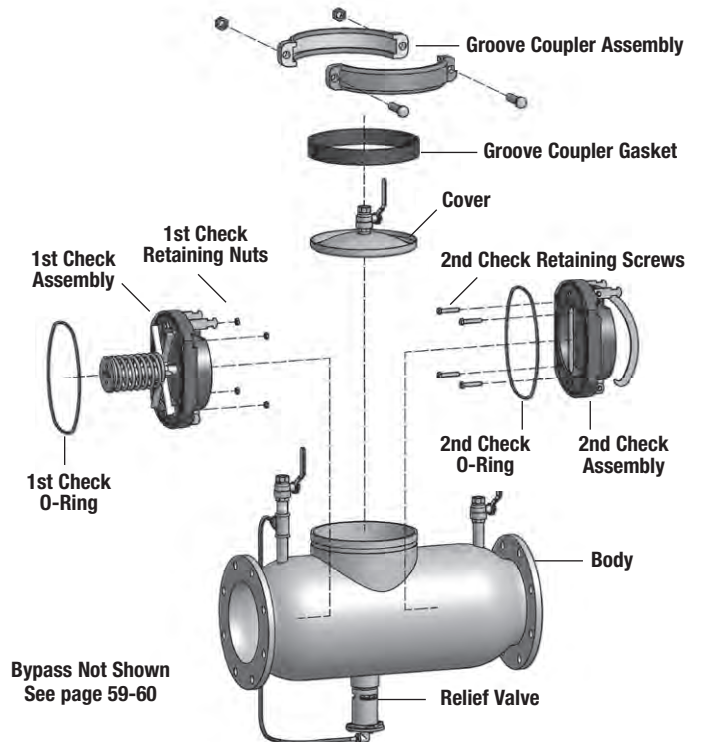
### Relief Valve Assembly 4000SS & 5000SS



### 2½" – 6" 4000SS/5000SS

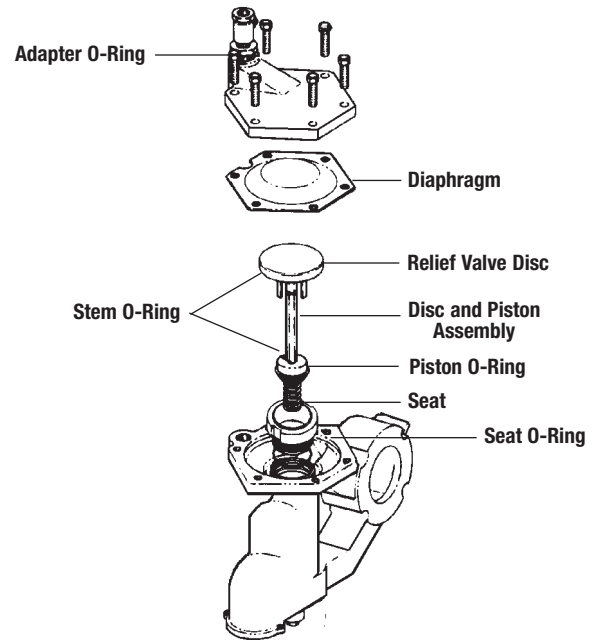
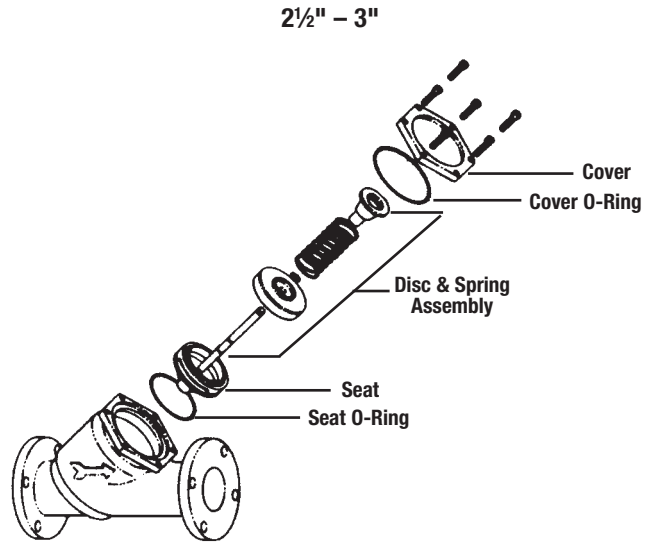


### 8" – 10" 4000SS/5000SS



ORDERING CODE	KIT NO.	SIZE	LIST PRICE
<b>1st Check Rubber Parts Kit</b>			
7016216	ARK 4000CIV RC1	2 1/2" - 3"	76.25
<b>Relief Valve Rubber Parts Kit</b>			
0425444	LFARK 4000CIV RV	2 1/2" - 3"	228.50

**LEAD FREE** Kit includes: Diaphragm, Disc, Molded Disc Assembly, Piston O-Rings, Stem O-Ring and Cover O-Ring.



ORDERING CODE	KIT NO.	SIZE	LIST PRICE
---------------	---------	------	------------

**1st Check Kits**

LEAD FREE	0425457	LFLFARK 4000CIV CK1	4"	\$ 919.00
	0425458	LFLFARK 4000CIV CK1	6"	1,646.00

**2nd Check Kits**

LEAD FREE	0425462	LFARK 4000CIV CK2	6"	1,502.00
	0425463	LFARK 4000CIV CK2	8"	2,744.00

Kit includes: Disc & Spring Assembly, Cover O-Ring and Lubricant

Kit includes: Seat, Seat O-Ring, Cover O-Ring, Retainer Wire and Lubricant

**First Check Rubber Parts Kits**

LEAD FREE	7016217	ARK 4000CIV RC1	4"	101.00
	7016218	ARK 4000CIV RC1	6"	114.50
	7016219	ARK 4000CIV RC1	8"	138.50

Kit includes: Lower Stem O-Ring (6" only), Check Disc, Cover O-Ring and Lubricant

**Second Check Rubber Parts Kits**

LEAD FREE	7016223	ARK 4000CIV RC2	6"	114.50
	7016224	ARK 4000CIV RC2	8"	138.50

Kit includes: Lower Stem O-Ring (6" only), Check Disc, Cover O-Ring and Lubricant

**Relief Valve Rubber Parts Kits**

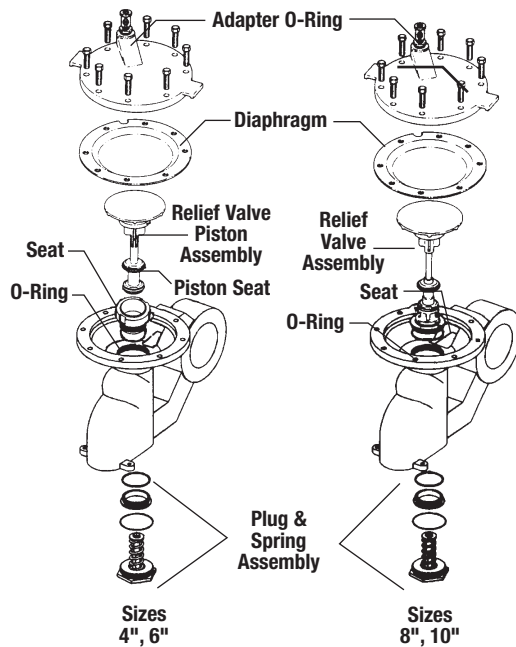
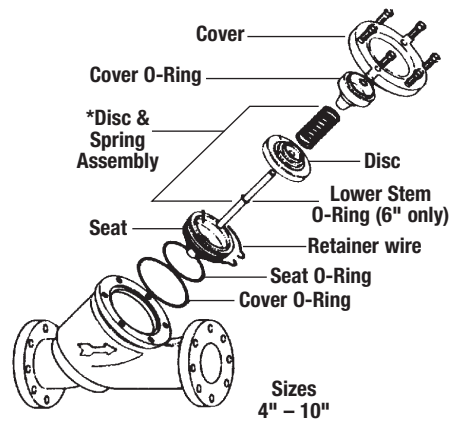
LEAD FREE	7016268	ARK 4000CIV RV	4" - 10"	325.00
	0425450	LFARK 4000CIV RV	8" - 10"	379.00

Kit includes: Sleeve O-Ring, Seat O-Ring, Piston O-Ring, Stem O-Ring, RV Disc Assembly, Diaphragm, Piston Seal, Bottom Plug O-Ring and Lubricant

**Relief Valve Total Kit**

LEAD FREE	0425451	LFARK 4000CIV VT	4" - 6"	990.50
-----------	---------	------------------	---------	--------

Kit includes: Adapter O-Ring, Diaphragm, Disc & Piston Assembly Seat, Seat O-Ring and Lubricant



ORDERING CODE	KIT NO.	SIZE	LIST PRICE
---------------	---------	------	------------

**1st Check Kits**

LEAD FREE	0425481	LFARK5000CIV-CK1	2 1/2" - 3"	\$ 672.50
	0425482	LFARK5000CIV-CK1	4"	950.50
	0425483	LFARK5000CIV-CK1	6"	1,715.00
	0425484	LFARK5000CIV-CK1	8"	3,097.00
	0425485	LFARK5000CIV-CK1	10"	4,597.00

**2nd Check Kits**

LEAD FREE	0425486	LFARK5000CIV-CK2	2 1/2" - 3"	546.00
	0425487	LFARK5000CIV-CK2	4"	871.00
	0425488	LFARK5000CIV-CK2	6"	1,502.00
	0425489	LFARK5000CIV-CK2	8"	2,744.00
	0425490	LFARK5000CIV-CK2	10"	3,694.00

Kit includes: Disc & Spring Assembly, Cover O-Ring and Lubricant

**Seat Kits**

LEAD FREE	0425491	LFARK 5000CIV-S	2 1/2" - 3"	216.50
	0425492	LFARK 5000CIV-S	4"	316.00
	0425493	LFARK 5000CIV-S	6"	540.50
	0425494	LFARK 5000CIV-S	8"	1,288.00
	0425495	LFARK 5000CIV-S	10"	1,505.00

Kit includes: Seat, Seat O-Ring, Cover O-Ring, Retainer Wire and Lubricant O-Ring

**1st Check Rubber Parts Kits**

LEAD FREE	7016246	ARK 5000CIV RC1	2 1/2" - 3"	76.25
	7016247	ARK 5000CIV RC1	4"	101.00
	7016248	ARK 5000CIV RC1	6"	114.50
	7016249	ARK 5000CIV RC1	8"	138.50
	7016250	ARK 5000CIV RC1	10"	187.50

**2nd Check Rubber Parts Kits**

LEAD FREE	7016251	ARK 5000CIV RC2	2 1/2" - 3"	76.25
	7016252	ARK 5000CIV RC2	4"	101.00
	7016253	ARK 5000CIV RC2	6"	114.50
	7016254	ARK 5000CIV RC2	8"	138.50
	7016255	ARK 5000CIV RC2	10"	187.50

Kit includes: Lower Stem O-Ring (6" only), Check Disc, Cover O-Ring and Lubricant

ORDERING CODE	KIT NO.	SIZE	LIST PRICE
---------------	---------	------	------------

**Total Rubber Parts Kits**

LEAD FREE	0425476	LFARK 5000CIV-RT	2 1/2" - 3"	\$ 405.00
	0425477	LFARK 5000CIV-RT	4"	535.50
	0425478	LFARK 5000CIV-RT	6"	562.00
	0425479	LFARK 5000CIV-RT	8"	617.00
	0425480	LFARK 5000CIV-RT	10"	733.00

Kit includes: Lower Stem O-Ring (6" only), Check Disc, Cover O-Ring, Sleeve O-Ring, Piston O-Ring, RV Disc Assembly, Diaphragm, Piston Seat and Lubricant

**Relief Valve Rubber Parts Kits**

LEAD FREE	0425469	LFARK 5000CIV RV	2 1/2" - 3"	228.50
	0425472	LFARK 5000CIV RV	4" - 10"	301.50

Kit includes: Sleeve O-Ring, Seat O-Ring, Piston O-Ring, Stem O-Ring, RV Disc Assembly, Diaphragm, Piston Seal, Bottom plug O-Ring and Lubricant

**Total Relief Valve Kits**

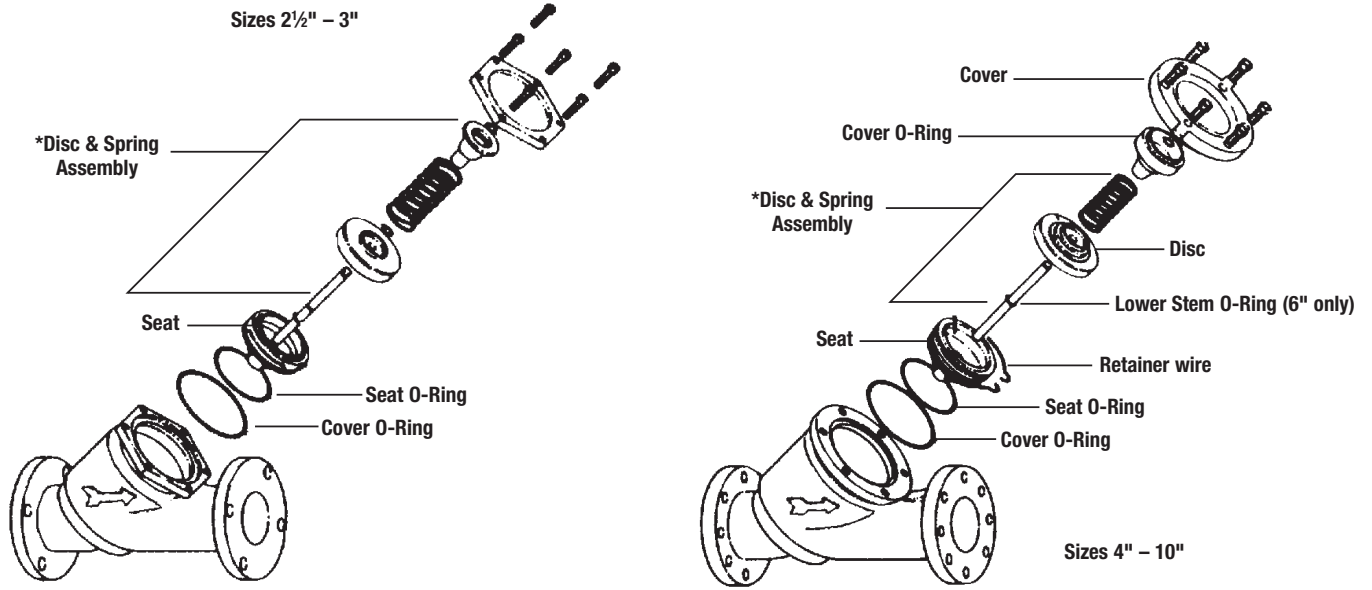
LEAD FREE	0425473	LFARK 5000CIV VT	2 1/2" - 3"	507.00
	7016284	ARK 5000CIV VT	4" - 10"	708.00

Kit includes: Adapter O-Ring, Diaphragm, Disc & Piston Assembly Seat, Seat O-Ring and Lubricant

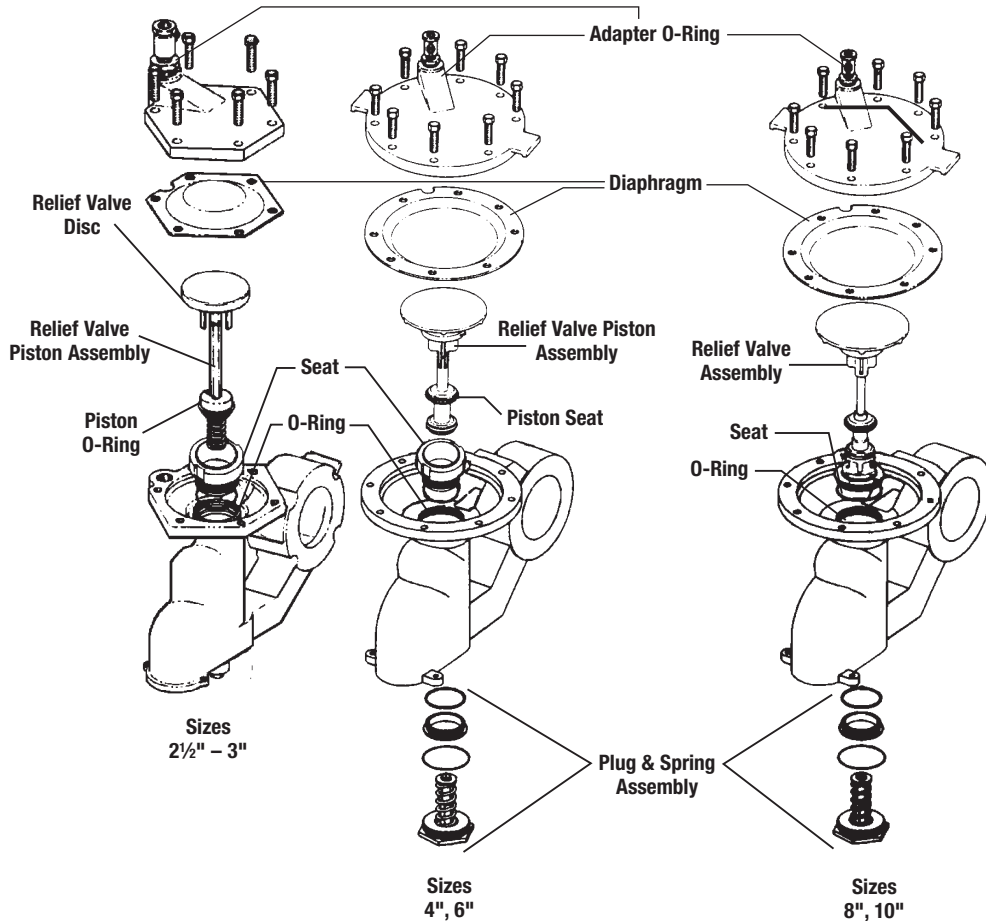
**Cover Kits**

LEAD FREE	7016287	ARK 5000CIV C	2 1/2" - 3"	257.50
	7016288	ARK 5000CIV C	4"	288.50
	7016289	ARK 5000CIV C	6"	402.00
	7016290	ARK 5000CIV C	8"	657.00
	7016291	ARK 5000CIV C	10"	1,469.00

Kit includes: Cover, Cover O-Ring and Lubricant



Bypass Not Shown See page 34



ORDERING CODE	KIT NO.	SIZE	LIST PRICE
---------------	---------	------	------------

**4000RP 1st Check Kits**

LEAD FREE	7010161	ARK 4000RP CK1	4"	\$ 533.00
	7010162	ARK 4000RP CK1	6"	770.00
	7010163	ARK 4000RP CK1	8" - 10"	1,742.00

Kit includes: 1st Check Assembly, Cover Gasket and Mounting Hardware

**4000RP 2nd Check Kits**

LEAD FREE	7010164	ARK 4000RP CK2	4"	472.50
	7010165	ARK 4000RP CK2	6"	495.50
	7010166	ARK 4000RP CK2	8" - 10"	778.00

Kit includes: 2nd Check Assembly, Cover Gasket and Mounting Hardware

**Total RV Kit**

LEAD FREE	7010173	ARK 4000RP/5000RPDA VT	4" - 10"	2,420.00
-----------	---------	------------------------	----------	----------

Kit includes: Complete Relief Assembly, RV Mounting Seat Gasket

**Rubber RV Kit**

LEAD FREE	7010174	ARK 4000RP/5000RPDA RV	4" - 10"	227.50
-----------	---------	------------------------	----------	--------

Kit includes: O-ring, Diaphragm, RV Mounting Seat Gasket

ORDERING CODE	KIT NO.	SIZE	LIST PRICE
---------------	---------	------	------------

**Cover Kits**

LEAD FREE	7010142	ARK EPOXY C	4"	\$ 361.00
	7010143	ARK EPOXY C	6"	531.00
	7010144	ARK EPOXY C	8" - 10"	756.00

Kit includes: Cover, Cover Gasket and Vent Screw

**Seat Kits**

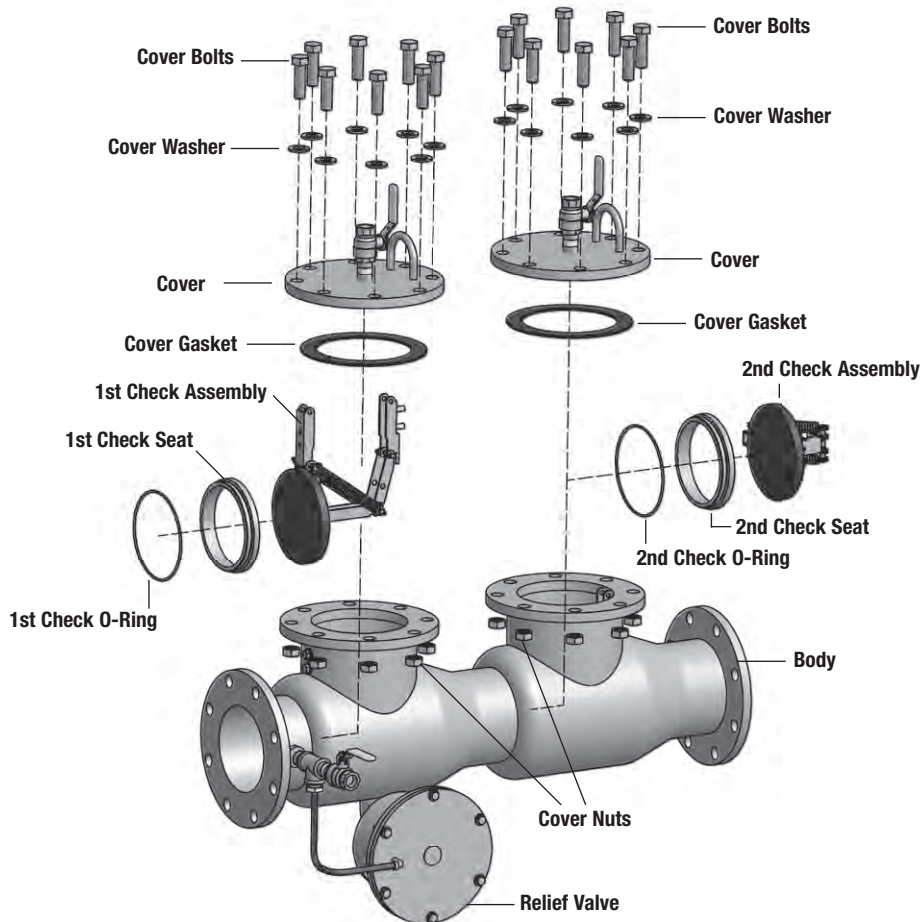
7010145	ARK EPOXY S	4"	176.50
7010146	ARK EPOXY S	6"	265.00
7010147	ARK EPOXY S	8" - 10"	385.00

Kit includes: Seat, Seat O-Ring and Cover Gasket

**Tools**

7013911	RETAINER CLIP	4"	84.75
7013912	RETAINER CLIP	6"	138.50
7013913	RETAINER CLIP	8" - 10"	107.50
7013941	SEAT INSTALL-REMOVAL TOOL	4"	1,033.00
7013946	SEAT INSTALL-REMOVAL TOOL	6"	1,257.00
7013950	SEAT INSTALL-REMOVAL TOOL	8" - 10"	1,242.00
7016090	TONG TOOL		202.50

**4" – 10" 4000RP Epoxy**



ORDERING CODE	KIT NO.	SIZE	LIST PRICE
---------------	---------	------	------------

**5000RPDA 1st Check Kits**

LEAD FREE	7010167	ARK 5000RPDA CK1	4"	\$ 698.50
	7010168	ARK 5000RPDA CK1	6"	770.50
	7010169	ARK 5000RPDA CK1	8" - 10"	1,742.00

Kit includes: 1st Check Assembly, Cover Gasket and Mounting Hardware

**5000RPDA 2nd Check Kits**

LEAD FREE	7010170	ARK 5000RPDA CK2	4"	472.50
	7010171	ARK 5000RPDA CK2	6"	561.50
	7010172	ARK 5000RPDA CK2	8" - 10"	1,027.00

Kit includes: 2nd Check Assembly, Cover Gasket and Mounting Hardware

**Total Relief Valve Kit**

LEAD FREE	7010173	ARK 4000RP/5000RPDA VT	4" - 10"	2,420.00
-----------	---------	------------------------	----------	----------

Kit includes: Complete Relief Assembly, Mounting Seat Gasket

**Relief Valve Rubber Kit**

LEAD FREE	7010174	ARK 4000RP/5000RPDA RV	4" - 10"	227.50
-----------	---------	------------------------	----------	--------

Kit includes: O-ring, Diaphragm, Mounting Seat Gasket

ORDERING CODE	KIT NO.	SIZE	LIST PRICE
---------------	---------	------	------------

**Cover Kits**

LEAD FREE	7010142	ARK EPOXY C	4"	\$ 361.00
	7010143	ARK EPOXY C	6"	531.00
	7010144	ARK EPOXY C	8" - 10"	756.00

Kit includes: Cover, Cover Gasket, Cover Bolts, Test Cock and Vent Screw

**Seat Kits**

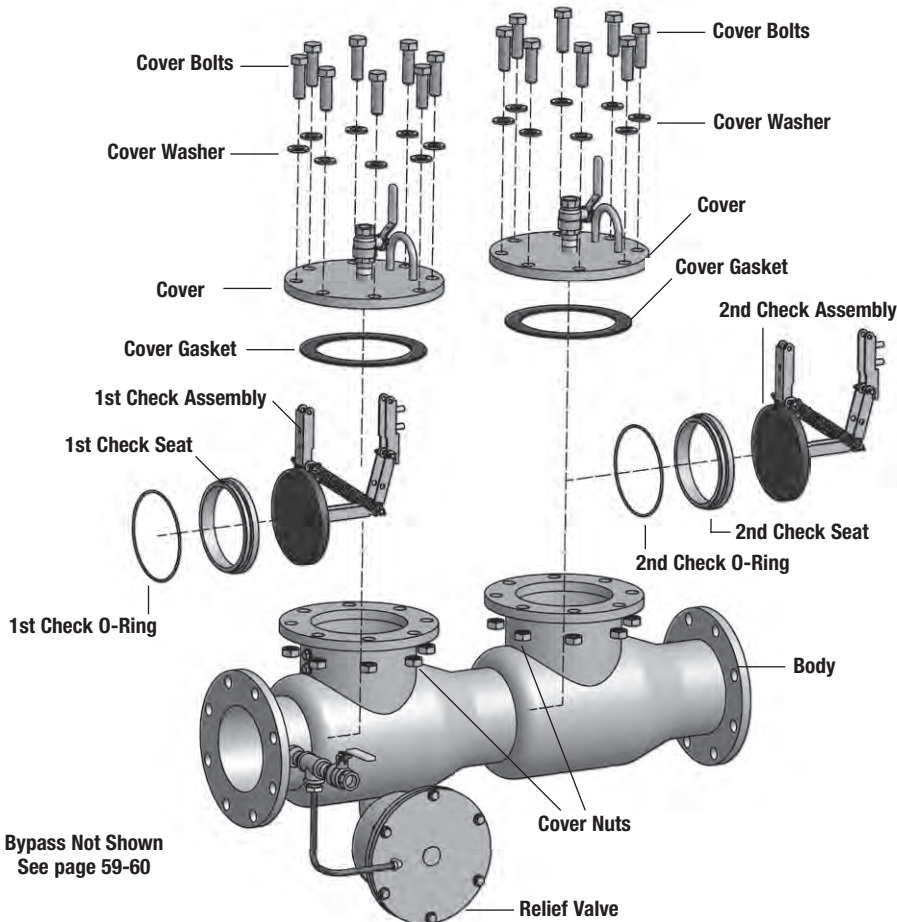
LEAD FREE	7010145	ARK EPOXY S	4"	176.50
	7010146	ARK EPOXY S	6"	265.00
	7010147	ARK EPOXY S	8" - 10"	385.00

Kit includes: Seat, Seat O-Ring and Cover Gasket

**Tools**

7013911	RETAINER CLIP	4"	84.75
7013912	RETAINER CLIP	6"	138.50
7013913	RETAINER CLIP	8" - 10"	107.50
7013941	SEAT INSTALL-REMOVAL TOOL	4"	1,033.00
7013946	SEAT INSTALL-REMOVAL TOOL	6"	1,257.00
7013950	SEAT INSTALL-REMOVAL TOOL	8" - 10"	1,242.00
7016090	TONG TOOL		202.50

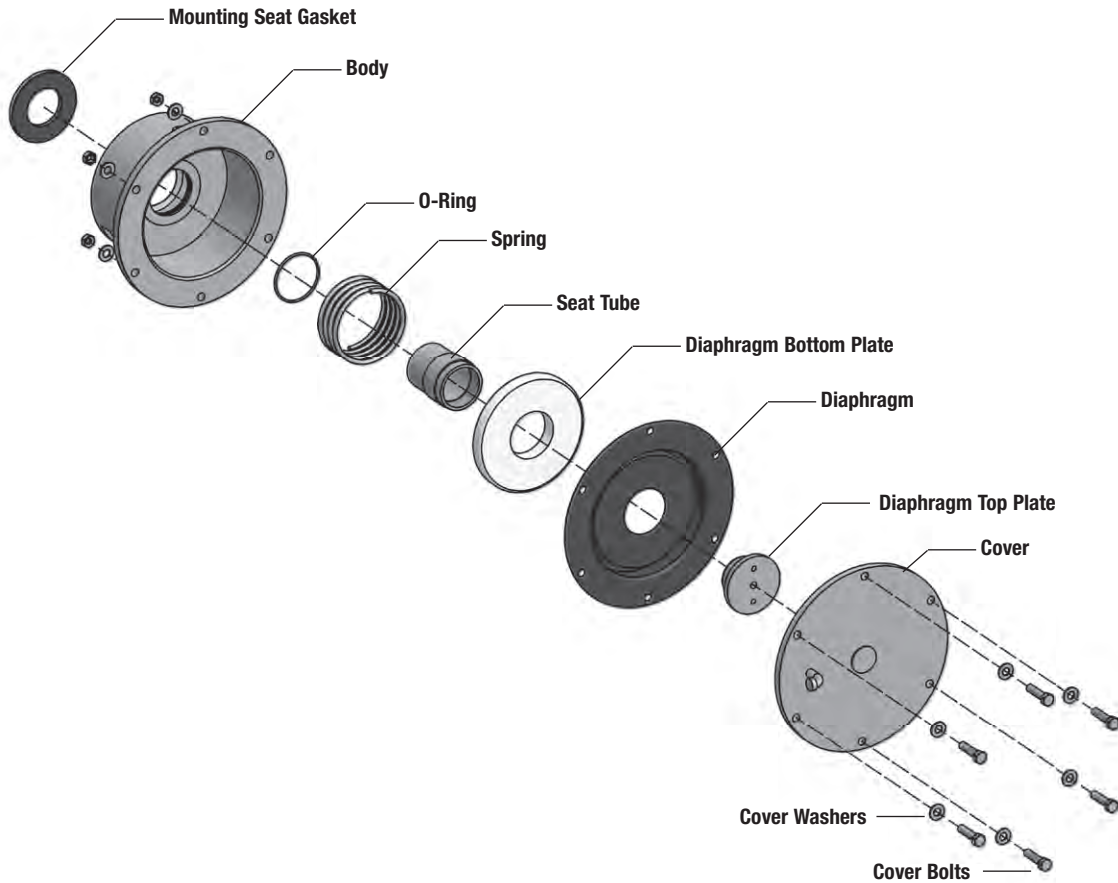
**4" – 10" 5000 RPDA Epoxy**



Bypass Not Shown  
See page 59-60

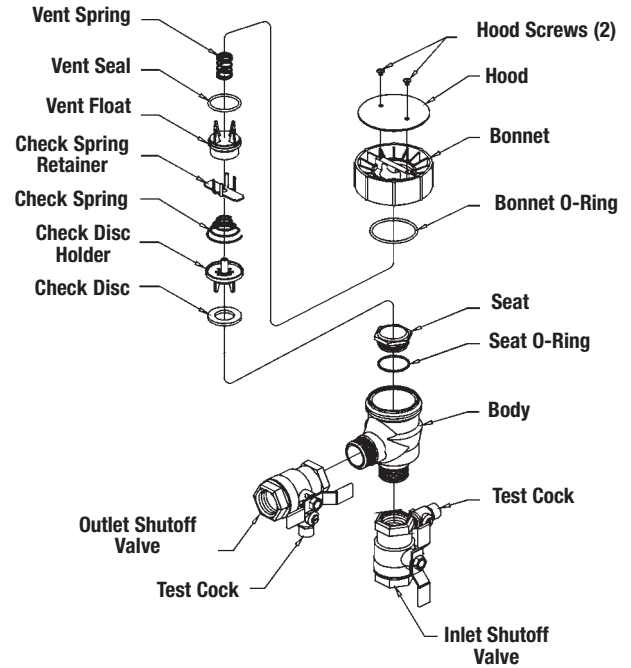
ORDERING CODE	KIT NO.	SIZE	LIST PRICE
<b>Total Relief Valve Kit</b>			
LEAD FREE 7010173	ARK 4000RP/5000RPDA VT	4" - 10"	\$ 2,420.00
Kit includes: Complete Relief Assembly, Mounting Seat Gasket			
<b>Rubber Relief Valve Kit</b>			
LEAD FREE 7010174	ARK 4000RP/5000RPDA RV	4" - 10"	227.50
Kit includes: O-ring, Diaphragm, Mounting Seat Gasket			

**4" – 10" 4000/5000 Relief Valve**  
 (Note: Mounting Bolts not shown)





ORDERING CODE	KIT NO.	SIZE	LIST PRICE
<b>Bonnet Assembly Kits</b>			
7017531	ARK A200 B	1/2" - 3/4"	\$ 38.00
7017532	ARK A200 B	1"	38.50
7017533	ARK A200 B	1 1/2" – 2"	83.50
Kit includes: Bonnet, Bonnet O-Ring, Vent Spring, Hood and Hood Screws			
<b>Check Kits</b>			
7017534	ARK A200 CK	1/2" - 3/4"	25.75
7017535	ARK A200 CK	1"	25.75
7017536	ARK A200 CK	1 1/2" – 2"	45.50
Kit includes: Check Disc Assembly (Disc and Disc Holder), Bonnet O-Ring and Check Spring			
<b>Rubber Parts Kits</b>			
7017537	ARK A200 RT	1/2" - 3/4"	17.25
7017538	ARK A200 RT	1"	17.25
7017539	ARK A200 RT	1 1/2" – 2"	24.50
Kit includes: Vent Seal, Check Disc and Bonnet O-Ring			
<b>Vent Float Kits</b>			
7017540	ARK A200 V	1/2" - 3/4"	11.75
7017541	ARK A200 V	1"	11.75
7017542	ARK A200 V	1 1/2" - 2"	41.00
Kit includes: Float Vent Disc Assembly (Vent Float, Vent Seal and Spring) and Bonnet O-Ring			
<b>Seat Kits</b>			
7017543	ARK A200 S	1/2" - 3/4"	19.75
7017544	ARK A200 S	1"	39.25
7017545	ARK A200 S	1 1/2" – 2"	56.00
Kit includes: Seat, Seat O-Ring and Bonnet O-Ring			



**IMPORTANT:** Inquire with governing authorities for local installation requirements.

Irrigation Checks FFF/FCC/FPP/ASCV

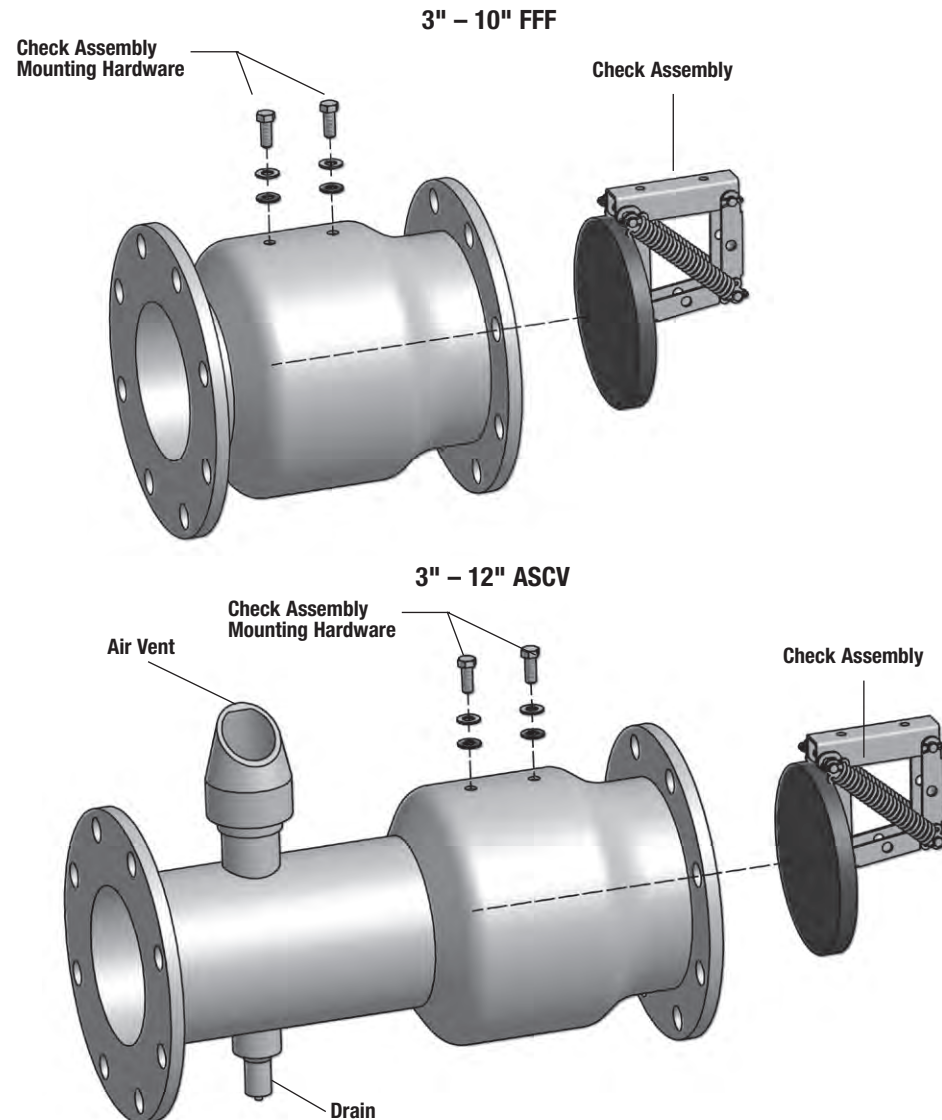
ORDERING CODE	KIT NO.	SIZE	LIST PRICE
---------------	---------	------	------------

1st Check Kits

LEAD FREE	7010175	ARK FFF/FPP/ASCV CK1	3"	\$ 344.50
	7010176	ARK FFF/FPP/ASCV CK1	4"	362.50
	7010177	ARK FFF/FPP/ASCV CK1	5"	431.50
	7010178	ARK FFF/FPP/ASCV CK1	6"	468.00
	7010179	ARK FFF/FPP/ASCV CK1	8"	533.50
	7010180	ARK FFF/FPP/ASCV CK1	10" - 12"	701.00
	7010181	ARK FFF/FPP/ASCV CK1	14"	1,403.00

Kit consists of: Check Assembly and Mounting Hardware

LEAD FREE	7013711	AIR VENT, 2 BALL TYPE		372.50
	7013661	DRAIN, 1 1/2 LOW PRESSURE		39.50



ORDERING CODE	KIT NO.	PARTS QTY. REQUIRED	LIST PRICE
<b>Air Gap Drains</b>			
0064661	3/4" - 1" 400B AG	1	\$ 67.75
0064662	1 1/4" - 2" 400B AG	1	138.00
7014267	1/2", 3/4" 4000B	1	57.50
0691853	1", 1 1/4", 1 1/2" 4000B	1	71.00
0691866	2" 4000B	1	145.00
0690511	2 1/2" - 6" 4000SS (Vertical)	1	772.00
0691842	2 1/2" - 10" 4000SS Plastic	1	184.50
7011361	4000RP / 5000RPDA (Epoxy)	1	795.00
7017299	4" - 10" 4000CIV / 5000CIV	1	291.50
7018367	Air Gap Assy (Colt & Maxim)	1	191.00
7018894	Air Gap Splash Guard Only (Colt & Maxim)	1	56.75

**Test Kit**

0385502	ATG -1	1	1,992.00
---------	--------	---	----------

**Meters**

7016269	5/8 X 3/4 - Cubic Feet	1	477.00
7016273	5/8 X 3/4 - Gallons Per Minute	1	477.00

**Meters for Colt / Maxim N & Z Pattern Valves**

7017978	5/8 X 1/2 - CFM Badger	1	276.00
7017979	5/8 X 1/2 - GPM Badger	1	276.00

**Remote Outside Meters - Badger**

7018895	ROM DC/RP CFM-B	1	752.50
7018896	ROM DC/RP GPM-B	1	752.50

ROM includes 10' wire.

ORDERING CODE	KIT NO.	SIZE	LIST PRICE
---------------	---------	------	------------

**Elbows**

7012798	4000B Elbow	1/2", 3/4"	\$ 40.50
7012799	4000B Elbow	1", 1 1/4", 1 1/2"	44.00
7016586	4000B Elbow	2"	84.75

Kit includes: (2) Elbows, Nut, Bolts, Gaskets and Ring Gaskets.

**Elbow Kits for N & Z Pattern C200 & C300 Valves and Elbow Kits for N & Z Pattern M200 & M300 Valves**

7018538	Kit 2.5 Std. Elbow	2 1/2"	444.00
7018539	Kit 3 Std. Elbow	3"	469.00
7018540	Kit 4 Std. Elbow	4"	529.00
7018541	Kit 6 Std. Elbow	6"	844.00
7018542	Kit 8 Std. Elbow	8"	1,313.00
7018543	Kit 10 Std. Elbow	10"***	3,219.00

\*\*Kits not available for Butterfly valve units.

Kit includes: (2) GRV x GRV Elbows and (2) Groove Couplers

**Elbow Kits for N & Z Pattern C400 & C500 Valves**

7018544	Kit 2.5 Ported Elbow	2 1/2"	730.00
7018545	Kit 3 Ported Elbow	3"	841.00
7018546	Kit 4 Ported Elbow	4"	843.00
7018547	Kit 6 Ported Elbow	6"	1,306.00
7018548	Kit 8 Ported Elbow	8"***	1,327.00
7018549	Kit 10 Ported Elbow	10"***	3,232.00

\*\*Kits not available for Butterfly valve units.

ORDERING CODE	KIT NO.	HEIGHT ADJ.	LIST PRICE
---------------	---------	-------------	------------

**Valve Stands**

0693112	ARK EZ STD	10" - 14"	\$307.50
---------	------------	-----------	----------

ORDERING CODE	KIT NO.	SIZE	LIST PRICE
---------------	---------	------	------------

**Test Cocks - Bronze**

7017249	RK SAE-TC / Ames	1/8"	\$ 20.75
7017250	TC / Ames	1/8"	29.25
7017627	SAE-TC Adapter / Ames	1/4"	46.00
LEAD FREE 0425362	LFSAE-TC / Ames	1/8"	53.25
0425363	LFTC / Ames	1/4"	55.00
7018394	TC for Colt/Maxim	1/2"	92.75
7018395	TC for Colt/Maxim	3/4"	96.25

**In-Building Riser Gaskets**

LEAD FREE 7014421	In-Building Gasket - CIPS	4"	13.25
7014422	In-Building Gasket - CIPS	6"	29.00
7014423	In-Building Gasket - CIPS	8"	33.75
7014424	In-Building Gasket - CIPS	10"	43.00

**Replacement "T" Handle Ball Valves for Series 2000B, 4000B & A200**

LEAD FREE 0425350	LFAFBV-TH	1/2"	56.25
0425351	LFAFBV-TH	3/4"	89.75
0425352	LFAFBV-TH	1"	141.00
0425353	LFAFBV	1 1/4"	214.50
0425354	LFAFBV	1 1/2"	275.00
0425355	LFAFBV	2"	480.00
0425356	LFAFBV-TC-TH	1/2"	63.00
0425357	LFAFBV-TC-TH	3/4"	93.75
0425358	LFAFBV-TC-TH	1"	147.50
0425359	LFAFBV-TC-TH	1 1/4"	217.00
0425360	LFAFBV-TC-TH	1 1/2"	278.00
0425361	LFAFBV-TC-TH	2"	485.00

**Handle Kits**

7017597	HK FBV-F-AMES	1 1/4"	21.75
7017598	HK FBV-F-AMES	1 1/2"	21.75
7017599	HK FBV-F-AMES	2"	21.75
7017600	HK FBV-E-F-AMES	1 1/4"	21.75
7017606	HK FBV-E-F-AMES	1 1/2"	21.75
7017607	HK FBV-E-F-AMES	2"	21.75

\*The wetted surface of this product contacted by consumable water contains less than 0.25% of lead by weight.



\*The wetted surface of this product contacted by consumable water contains less than 0.25% of lead by weight.

ORDERING CODE	KIT NO.	SIZE	LIST PRICE
<b>Replacement Gate Valves</b>			
7018670	Gate Valve OSY GRV x GRV	2 1/2"	\$ 883.00
7018671	Gate Valve OSY GRV x GRV	3"	972.00
7018672	Gate Valve OSY GRV x GRV	4"	1,179.00
7018673	Gate Valve OSY GRV x GRV	6"	1,878.00
7018674	Gate Valve OSY GRV x GRV	8"	3,174.00
7018675	Gate Valve OSY GRV x GRV	10"	5,030.00
7018676	Gate Valve NRS GRV x GRV	2 1/2"	679.00
7018677	Gate Valve NRS GRV x GRV	3"	719.00
7018678	Gate Valve NRS GRV x GRV	4"	918.00
7018679	Gate Valve NRS GRV x GRV	6"	1,456.00
7018680	Gate Valve NRS GRV x GRV	8"	2,315.00
7018681	Gate Valve NRS GRV x GRV	10"	3,230.00
7018688	Gate Valve PIV GRV x GRV	3"	1,242.00
7018689	Gate Valve PIV GRV x GRV	4"	1,242.00
7018690	Gate Valve PIV GRV x GRV	6"	1,934.00
7018691	Gate Valve PIV GRV x GRV	8"	5,343.00
7018692	Gate Valve PIV GRV x GRV	10"	8,598.00
7014773	Gate Valve OSY FLG x FLG	2 1/2"	883.00
7014774	Gate Valve OSY FLG x FLG	3"	972.00
7014777	Gate Valve OSY FLG x FLG	4"	1,158.00
7014778	Gate Valve OSY FLG x FLG	6"	1,841.00
7014779	Gate Valve OSY FLG x FLG	8"	3,114.00
7014780	Gate Valve OSY FLG x FLG	10"	4,934.00
7014775	Gate Valve NRS FLG x FLG	2 1/2"	679.00
7014776	Gate Valve NRS FLG x FLG	3"	705.00
A000704	Gate Valve NRS FLG x FLG	4"	918.00
A000705	Gate Valve NRS FLG x FLG	6"	1,456.00
A000706	Gate Valve NRS FLG x FLG	8"	2,315.00
A000707	Gate Valve NRS FLG x FLG	10"	3,230.00
7018792	Gate Valve PIV FLG x FLG	3"	1,242.00
7018793	Gate Valve PIV FLG x FLG	4"	1,242.00
7018794	Gate Valve PIV FLG x FLG	6"	1,757.00
7018795	Gate Valve PIV FLG x FLG	8"	4,857.00
7018772	Gate Valve PIV FLG x FLG	10"	8,598.00
7017999	Gate Valve OSY FLG x GRV	2 1/2"	883.00
7018000	Gate Valve OSY FLG x GRV	3"	972.00
7018001	Gate Valve OSY FLG x GRV	4"	1,179.00
7018002	Gate Valve OSY FLG x GRV	6"	1,878.00
7018003	Gate Valve OSY FLG x GRV	8"	3,174.00
7018687	Gate Valve OSY FLG x GRV	10"	4,934.00

ORDERING CODE	KIT NO.	SIZE	LIST PRICE
<b>Replacement Gate Valves (cont.)</b>			
7018004	Gate Valve NRS FLG x GRV	2 1/2"	\$ 679.00
7018005	Gate Valve NRS FLG x GRV	3"	719.00
7018006	Gate Valve NRS FLG x GRV	4"	918.00
7018007	Gate Valve NRS FLG x GRV	6"	1,456.00
7018008	Gate Valve NRS FLG x GRV	8"	2,315.00
consult factory	Gate Valve NRS FLG x GRV	10"	CF
7018768	Gate Valve PIV FLG x GRV	3"	1,242.00
7018769	Gate Valve PIV FLG x GRV	4"	1,242.00
7018770	Gate Valve PIV FLG x GRV	6"	1,757.00
7018771	Gate Valve PIV FLG x GRV	8"	4,857.00
7012920	Gate Valve Pack NRS FLG x FLG	2 1/2"	1,283.00
7012921	Gate Valve Pack NRS FLG x FLG	3"	1,348.00
7012922	Gate Valve Pack NRS FLG x FLG	4"	1,483.00
7012926	Gate Valve Pack NRS FLG x FLG	6"	1,998.00
7012929	Gate Valve Pack NRS FLG x FLG	8"	3,311.00
7012908	Gate Valve Pack OSY FLG x FLG	2 1/2"	1,362.00
7012909	Gate Valve Pack OSY FLG x FLG	3"	1,528.00
7012910	Gate Valve Pack OSY FLG x FLG	4"	1,680.00
7012927	Gate Valve Pack OSY FLG x FLG	6"	2,393.00
7012928	Gate Valve Pack OSY FLG x FLG	8"	3,667.00
Pack includes: 2 tapped gate valves, 1 test cock and nipple, flange gasket and bolts			
7018783	Gate Valve Pack OSY/PIV FLG x FLG	3"	2,079.00
7018784	Gate Valve Pack OSY/PIV FLG x FLG	4"	2,199.00
7018785	Gate Valve Pack OSY/PIV FLG x FLG	6"	3,182.00
7018786	Gate Valve Pack OSY/PIV FLG x FLG	8"	7,100.00
7018787	Gate Valve Pack OSY/PIV FLG x FLG	10"	11,345.00
Pack includes: 1 flanged OSY, 1 flanged PIV, 1 test cock and nipple, flange gasket and bolts			
7014570	Handwheel OSY	2 1/2"	157.50
7014572	Handwheel OSY	3" & 4"	717.50
7014573	Handwheel OSY	6"	963.00
7014574	Handwheel OSY	8"	967.50
7014575	Handwheel OSY	10" & 12"	1,508.00
7014571	Handwheel NRS	2 1/2"	157.50
7014576	Handwheel NRS	3" & 4"	717.50
7014577	Handwheel NRS	6"	963.00
<b>Replacement Butterfly Valves (Grooved)</b>			
7018065	Butterfly Valve, 2.5 GRV Gear	2 1/2"	872.50
7018066	Butterfly Valve, 3 GRV Gear	3"	961.00
7018067	Butterfly Valve, 4 GRV Gear	4"	1,164.00
7018068	Butterfly Valve, 6 GRV Gear	6"	1,856.00
7018069	Butterfly Valve, 8 GRV Gear	8"	3,137.00
7018154	Butterfly Valve, 10 GRV Gear	10"	8,454.00

SIZE	MODEL	LESS METER ORDERING CODE	LIST PRICE	CUBIC FEET ORDERING CODE	LIST PRICE	GALLONS PER MINUTE ORDERING CODE	LIST PRICE
<b>Bypass Assemblies</b>							
4"	1000DCV EPOXY	7016892	\$447.50	7015274	\$709.00	7011188	\$ 696.00
6"	1000DCV EPOXY	7016893	536.50	7015275	800.00	7011189	784.50
8"	1000DCV EPOXY	7016894	696.00	7015276	962.00	7011190	943.50
10"	1000DCV EPOXY	7016960	729.50	7015277	982.50	7011191	982.50
4"	1000SS	7016496	457.00	7015547	509.50	7015573	509.50
6"	1000SS	7016497	540.00	7015548	579.00	7015582	568.00
8"	1000SS	7016894	696.00	7015276	962.00	7011190	943.50
10"	1000SS	7016500	597.50	7016498	743.50	7016499	743.50
2"	3000B	N/A	—	7018664	1,469.00	7018665	1,469.00
2 1/2" – 4"	3000SS	7016191	854.50	7015539	1,212.00	7015554	1,189.00
6"	3000SS	7016192	1,048.00	7015540	1,314.00	7015555	1,290.00
8"	3000SS	7016194	895.00	7015542	1,314.00	7015557	1,314.00
10" & 12"	3000SS	7016193	898.50	7015541	1,364.00	7015556	1,364.00
2 1/2"	3000SE	7016195	853.50	7015543	1,121.00	7015558	1,121.00
6"	3000SE	7016198	857.50	7015546	1,264.00	7015568	1,264.00
8"	3000SE	7016192	1,048.00	7015540	1,314.00	7015555	1,290.00
3" & 4"	3001SS	7016632	854.00	7016630	1,102.00	7016631	1,102.00
6" & 8"	3001SS	7016674	1,160.00	7016672	1,407.00	7016673	1,436.00
3"	3000CIV	N/A	—				
4"	3000CIV	N/A	—				
6"	3000CIV	N/A	—				
8"	3000CIV	N/A	—				
10"	3000CIV	N/A	—	7016396	1,297.00		
2 1/2" – 4"	5000SS	7016196	1,014.00	7015544	1,381.00	7015562	1,381.00
6"	5000SS	7016197	1,003.00	7015545	1,428.00	7015563	1,428.00
3" & 4"	5001SS	7016677	941.50	7016675	1,190.00	7016676	1,190.00
6"	5001SS	7016680	1,238.00	7016678	1,485.00	7016679	1,485.00
3"	5000CIV	N/A	—	7016400	1,407.00	7016405	1,407.00
4"	5000CIV	N/A	—	7016401	1,420.00	7016406	1,420.00
6"	5000CIV	N/A	—	7016402	1,469.00	7016407	1,469.00
8"	5000CIV	N/A	—	7016403	1,489.00	7016408	1,489.00
10"	5000CIV	N/A	—	7016404	1,566.00	7016409	1,566.00
4"	5000 RPDA	7016165	2,156.00	7015278	2,409.00	7011278	2,409.00
6"	5000 RPDA			7015279	2,443.00	7011279	2,443.00
8"	5000 RPDA			7015280	2,519.00	7011280	2,519.00
10"	5000 RPDA			7015281	2,522.00	7011281	2,522.00

Bypass Assemblies include: Bypass line, meter, backflow preventer, all associated piping and connections.



\*The wetted surface of this product contacted by consumable water contains less than 0.25% of lead by weight.

MODEL LESS METER	ORDERING CODE	LIST PRICE	MODEL CUBIC FEET	ORDERING CODE	LIST PRICE	MODEL GALLONS PER MINUTE	ORDERING CODE	LIST PRICE
<b>Hard Piped Bypass Assemblies (use on all straight pattern Colt and Maxim valves)</b>								
MF34 DCDA LM HARD	7018584	\$910.00	MF34 DCDA CFM HARD	7018583	\$933.00	MF34 DCDA GPM HARD	7018582	\$ 933.00
MF46 DCDA LM HARD	7018587	1,015.00	MF46 DCDA CFM HARD	7018586	1,089.00	MF46 DCDA GPM HARD	7018585	1,089.00
MF68 DCDA LM HARD	7018590	998.50	MF68 DCDA CFM HARD	7018589	2,115.00	MF68 DCDA GPM HARD	7018588	2,115.00
MF810 DCDA LM HARD	7018593	1,079.00	MF810 DCDA CFM HARD	7018592	2,115.00	MF810 DCDA GPM HARD	7018591	2,115.00
MF34 RPDA LM HARD	7018596	1,733.00	MF34 RPDA CFM HARD	7018595	1,649.00	MF34 RPDA GPM HARD	7018594	1,649.00
MF46 RPDA LM HARD	7018599	1,777.00	MF46 RPDA CFM HARD	7018598	1,732.00	MF46 RPDA GPM HARD	7018597	1,732.00
MF68 RPDA LM HARD	7018602	1,802.00	MF68 RPDA CFM HARD	7018601	1,843.00	MF68 RPDA GPM HARD	7018600	1,843.00
MF810 RPDA LM HARD	7018605	1,827.00	MF810 RPDA CFM HARD	7018604	1,897.00	MF810 RPDA GPM HARD	7018603	1,897.00
<b>Hard Piped Bypass Assemblies (use on all N-pattern Colt and Maxim Valves)</b>								
BYP, M/C 2.5-3 300N LM	7018821	1,297.00	BYP, M/C 2.5-3 300N CFM	7018797	1,550.00	BYP, M/C 2.5-3 300N GPM	7018798	1,550.00
BYP, M/C 2.5-3 500N LM			BYP, M/C 2.5-3 500N CFM	7018799	1,879.00	BYP, M/C 2.5-3 500N GPM	7018800	1,879.00
BYP, M/C 4 300N LM			BYP, M/C 4 300N CFM			BYP, M/C 4 300N GPM	7018804	1,581.00
BYP, M/C 4 500N LM			BYP, M/C 4 500N CFM	7018805	1,908.00	BYP, M/C 4 500N GPM	7018806	1,908.00
BYP, M/C 6-8 300N LM			BYP, M/C 6-8 300N CFM	7018813	1,676.00	BYP, M/C 6-8 300N GPM	7018814	1,676.00
BYP, M/C 6 500N LM	7018827	1,709.00	BYP, M/C 6 500N CFM	7018809	1,961.00	BYP, M/C 6 500N GPM	7018810	1,961.00
BYP, M/C 8-10 300N LM			BYP, M/C 8-10 300N CFM OSY	7018815	1,726.00	BYP, M/C 8-10 300N GPM OSY	7018816	1,726.00
BYP, M/C 8-10 500N LM	7018831	1,774.00	BYP, M/C 8-10 500N CFM	7018817	2,027.00	BYP, M/C 8-10 500N GPM	7018818	2,027.00
<b>Hard Piped Bypass Assemblies (use on all Z-pattern Colt and Maxim Valves)</b>								
BYP, M/C 2.5-3 500Z LM	7018823	1,683.00	BYP, M/C 2.5-3 500Z CFM	7018801	1,935.00	BYP, M/C 2.5-3 500Z GPM	7018802	1,935.00
BYP, M/C 4 500Z LM	7018826	1,709.00	BYP, M/C 4 500Z CFM	7018807	1,961.00	BYP, M/C 4 500Z GPM	7018808	1,961.00
BYP, M/C 6 500Z LM	7018828	1,761.00	BYP, M/C 6 500Z CFM	7018811	2,014.00	BYP, M/C 6 500Z GPM	7018812	2,014.00
BYP, M/C 8-10 500Z LM			BYP, M/C 8-10 500Z CFM	7018819	2,084.00	BYP, M/C 8-10 500Z GPM	7018820	2,084.00

<b>Hard Piped Bypass Sizing Chart for Colt/Maxim</b>		
	<b>Colt</b>	<b>Maxim</b>
MF34 =	2½", 3", 4"	2½", 3"
MF46 =	6"	4"
MF68 =	8"	6"
MF810 =	10"	8" - 10"



To locate your nearest Ames representative, please go to  
[AmesFireWater.com/Find\\_A\\_Rep](http://AmesFireWater.com/Find_A_Rep)

**Represented by:**



**A WATTS Brand**