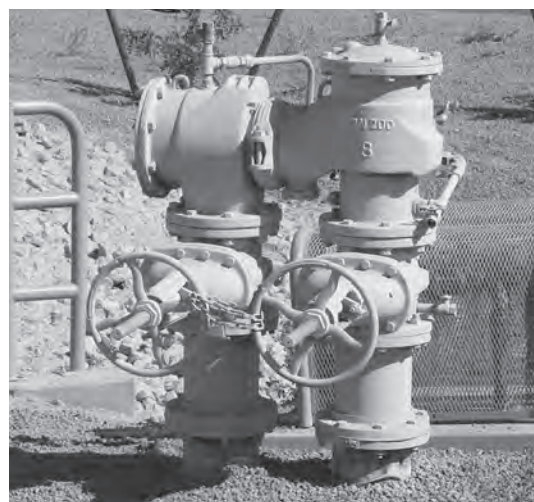


# Price List

## Backflow Prevention Products and Repair Kits



Effective October 8, 2018

All prices supersede previous issues, are temporary and subject to change without notice.

*Your Discount<sup>†</sup>*

<sup>†</sup> Excludes kits and parts

# Electronic is Green!

**For the latest FEBCO pricing information in electronic format, visit our Data Exchange at:**

<http://www.wattswater.com/dataexchange/>

- Download product and list price data in .csv, .pdf, .tsv, .xls and .xml formats
- Easy access to list price data for business systems
- Sign up for e-mail alerts when data is updated
- Access our Watts Water Technologies brands pricing data

## TABLE OF CONTENTS

<b>TERMS AND CONDITIONS</b> .....	2
<b>HOW TO ORDER</b> .....	2
<b>SINGLE DETECTOR CHECK ASSEMBLIES</b>	
800 (4" - 10") .....	3
<b>DOUBLE CHECK VALVE ASSEMBLIES-BRONZE BODY</b>	
850-QT DC (½" - 2") .....	3
LF850-QT DC (½" - 2") .....	3
850U-QT DC (½" - 2") .....	3
LF850U (½" - 2") .....	3
<b>DOUBLE CHECK VALVE ASSEMBLIES-DUCTILE IRON BODY</b>	
LF850-LG DC (2½" - 10") .....	4
LF850-NRS DC (2½" - 10") .....	4
LF850-OSY DC (2½" - 10") .....	4
LF870V-LG DC (2½" - 8") .....	5
LF870V-NRS DC (2½" - 8") .....	5
LF870V-OSY DC (2½" - 8") .....	5
<b>DOUBLE CHECK DETECTOR ASSEMBLIES (TYPE II) DUCTILE IRON BODY</b>	
LF856-LF-GPM (2½" - 10") .....	6
LF856-DOSY-GPM (2½" - 10") .....	6
LF876V-DOSY-GPM (2½" - 8") .....	6
<b>REDUCED PRESSURE ZONE ASSEMBLIES-BRONZE BODY</b>	
825Y-QT RP (¾" - 2") .....	7
LF825Y-QT RP (¾" - 2") .....	7
825YA-QT RP (¾" - 2") .....	7
LF825YA-QT RP (¾" - 2") .....	7
860-QT RP (½" - 2") .....	7
LF860-QT RP (½" - 2") .....	7
860U-QT RP (½" - 2") .....	7
LF860U-QT RP (½" - 2") .....	7
<b>REDUCED PRESSURE ZONE ASSEMBLIES-DUCTILE IRON BODY</b>	
LF860-LG RP (2½" - 10") .....	8
LF860-NRS RP (2½" - 10") .....	8
LF860-DOSY RP (2½" - 10") .....	8
LF880V-LG RP (2½" - 8") .....	8
LF880V-NRS RP (2½" - 8") .....	8
LF880V-DOSY RP (2½" - 8") .....	8
<b>REDUCED PRESSURE DETECTOR ASSEMBLIES (TYPE II) DUCTILE IRON BODY</b>	
LF866-LG (2½" - 10") .....	9
LF866-DOSY (2½" - 10") .....	9
LF886V-DOSY (2½" - 8") .....	9
<b>VACUUM BREAKERS</b>	
<b>Atmospheric Vacuum Breaker</b>	
715A AVB (½" - ¾") .....	10
710A AVB (1" - 2") .....	10
<b>Pressure Vacuum Breakers</b>	
765-QT PVB (½" - 2") .....	10
U765-QT PVB (½" - 2") .....	10
LF767FR PVB (½" - 2") .....	10

## ACCESSORIES

Air Gap .....	11
Valve Setters .....	11
Wye-Strainer .....	12
Spool 12	
Full Port Test Cock .....	12
Backflow Test Kit .....	12
Valve Stand .....	12
Gate Valve Mounting Kit .....	12

## IRRIGATION SPECIALTIES

Key Operated Wall Hydrant .....	12
Ball Valves .....	31

## PARTS AND ACCESSORIES

MODEL	ASSEMBLY TYPE	PAGE (BY ASSEMBLY SIZE)	
		2" & SMALLER	2½" & LARGER
Quick Reference Parts List .....			
710	Atmospheric Vacuum Breaker .....	14	
715	Atmospheric Vacuum Breaker .....	14	
765	Pressure Vacuum Breaker .....	14	
805	Double Check Valves .....	15	19
806	Double Check Detector Assemblies .....		19
825/LF825	Reduced Pressure Zone Assemblies .....	16	22, 23
826	Reduced Pressure Detector Assemblies .....		22, 23
835	Double Check Valves .....	15	
850/LF850	Double Check Valves .....	17	20, 21
856/856ST/ LF856	Double Check Detector Assemblies .....		20, 21
860/LF860/860U/LF860U/880/880U	Reduced Pressure Zone Assemblies .....		18
860/LF860	Reduced Pressure Zone Assemblies .....	26	27, 29
LF866	Reduced Pressure Zone Detector Assemblies .....	27, 29	
870/LF870	Double Check Valves .....		24, 25
876/876ST/LF876	Double Check Detector Assemblies .....		24, 25
880/LF880	Reduced Pressure Zone Assemblies .....	28	29, 29
LF880V/LF886V	Reduced Pressure Zone Detector Assemblies .....	27, 29	
860/LF880/LF860/LF880/LF866/LF886	Relief Valve Parts .....		30
LF856/LF876V/LF866/LF886V	Bypass Assemblies and Bypass Repair Kits .....		30
Misc	Replacement Shutoffs .....		31

Supersedes all other price lists / Prices subject to change / Weights are estimated

<sup>1</sup>Grooved ends available on all OS&Y gate valves in some models and sizes. Expect larger lead times.

- FREIGHT TERMS:** All shipments are F.O.B. shipping point. Shipments from factory less than 1000 lbs. are F.O.B. factory. Factory shipments OF \$5000 and over within the continental U.S.A. will be prepaid and allowed when made at the lowest motor carrier transportation rate.
- TERMS OF SALE:** All sales are F.O.B. shipping point.
- PAYMENT TERMS:** The invoices are due and payable 30 days from the date of invoice.
- PURCHASE ORDER FORMS:** Orders submitted on customer's own purchase order forms will be accepted only with the express understanding that no statements, clauses, or conditions contained in said order form will be binding on the Seller if they in any way modify the Seller's own terms and conditions of sales.
- STOCKING WHOLESALE MINIMUM CHARGE:** A minimum billing charge of \$100.00 applies to shipments F.O.B. factory. Stocking Wholesaler Customers are encouraged to order sufficient material to avoid this charge which is necessitated by increased costs of processing small orders.
- SPECIAL PRODUCTS:** Orders for special or modified products are non-cancelable. In the event that the customer cancels an order for such products, Watts shall charge the customer an amount equal to Watts' costs and expenses incurred in performing the purchase order prior to receipt of notice of cancellation.
- LIMITED WARRANTY:** FEBCO warrants each product to be free from defects in material and workmanship under normal usage for a period of one year from the date of original shipment. In the event of such defects within the warranty period, the Company will, at its option, replace or recondition the product without charge. THE WARRANTY SET FORTH HEREIN IS GIVEN EXPRESSLY AND IS THE ONLY WARRANTY GIVEN BY THE COMPANY WITH RESPECT TO THE PRODUCT. THE COMPANY MAKES NO OTHER WARRANTIES, EXPRESS OR IMPLIED. THE COMPANY HEREBY SPECIFICALLY DISCLAIMS ALL OTHER WARRANTIES, EXPRESS OR IMPLIED, INCLUDING BUT NOT LIMITED TO THE IMPLIED WARRANTIES OF MERCHANT ABILITY AND FITNESS FOR A PARTICULAR PURPOSE. The remedy described in the first paragraph of this warranty shall constitute the sole and exclusive remedy for breach of warranty, and the Company shall not be responsible for any incidental, special or consequential damages, including without limitation, lost profits or the cost of repairing or replacing other property which is damaged if this product does not work properly, other costs resulting from labor charges, delays, vandalism, negligence, fouling caused by foreign material, damage from adverse water conditions, chemical, or any other circumstances over which the Company has no control. This warranty shall be invalidated by any abuse, misuse, misapplication, improper installation or improper maintenance or alteration of the product. Some States do not allow limitations on how long an implied warranty lasts, and some States do not allow the exclusion or limitation of incidental or consequential damages. Therefore the above limitations may not apply to you. This Limited Warranty gives you specific legal rights, and you may have other rights that vary from State to State. You should consult applicable state laws to determine your rights. SO FAR AS IS CONSISTENT WITH APPLICABLE STATE LAW, ANY IMPLIED WARRANTIES THAT MAY NOT BE DISCLAIMED, INCLUDING THE IMPLIED WARRANTIES OF MERCHANTABILITY AND FITNESS FOR A PARTICULAR PURPOSE, ARE LIMITED IN DURATION TO ONE YEAR FROM THE DATE OF ORIGINAL SHIPMENT.
- SERVICE POLICY:** For inoperative products beyond the warranty period, we assume no liability for replacement of valves due to service conditions beyond our control.
- RETURNED GOODS:** No material shall be returned without authorization. When credit is issued it will be at the price charged, or prevailing price if lower, less handling charges based on costs of reconditioning, boxing, etc. However, a minimum 25% handling charge will apply. A minimum handling charge of \$20.00 is applied whenever the 25% handling deduction does not total \$20.00. Products which are obsolete or made to special order are not returnable.
- NOTE:** Prices and terms are subject to change without notice and supersede all previous quotations. The right is reserved to change or modify product design or construction without prior notice and without incurring any obligation to make such changes and modifications on products previously or subsequently sold.

## HOW TO ORDER

1. Determine the type of valve assembly required, such as a Double Check Assembly (DC).
2. Determine size, options, and accessories.
3. Use the following pages to determine the part number, list price and shipping weight.
4. Contact your local representative or visit our website at [www.FEBCOonline.com](http://www.FEBCOonline.com) for up-to-date approvals.
5. Prices subject to change without notice.
6. Weights are estimated.

# SINGLE DETECTOR CHECK ASSEMBLIES



A WATTS Brand

Model	Size	Ordering Code	UPC	Net Content	Consumer Unit Weight (lbs)	Case Qty	Case Weight (lbs)	List Price
-------	------	---------------	-----	-------------	----------------------------	----------	-------------------	------------

## SINGLE DETECTOR CHECK ASSEMBLIES

### Less Bypass

800	4"	800M	643925008111	1	122	-	-	\$ 1,303.00
800	6"	800R	643925008265	1	212	-	-	1,655.00
800	8"	800S	643925008463	1	337	-	-	2,994.00
800	10"	800T	643925008715	1	485	-	-	4,637.00

### With Bypass

		GPM	CFM					
800	4"	800M2211	800M2311	643925008173	1	135	-	1,670.00
800	6"	800R2211	800R2311	643925008326	1	234	-	2,218.00
800	8"	800S2211	800S2311	643925008531	1	346	-	3,233.00
800	10"	800T2211	800T2311	643925008760	1	472	-	5,737.00



800

# DOUBLE CHECK VALVE ASSEMBLIES

Model	Size	Ordering Code	UPC	Net Content	Consumer Unit Weight (lbs)	Case Qty	Case Weight (lbs)	List Price
-------	------	---------------	-----	-------------	----------------------------	----------	-------------------	------------

## DOUBLE CHECK VALVE ASSEMBLIES-BRONZE BODY

### With Quarter-Turn Shutoff Valves

850-QT DC	1/2"	1111	643925000535	1	4.99	-	-	\$ 224.00
850-QT DC	3/4"	1112	643925000542	1	5.05	-	-	237.00
850-QT DC	1"	1113	643925000559	1	7.55	-	-	267.00
850-QT DC	1 1/4"	1114	643925000566	1	16.65	-	-	505.50
850-QT DC	1 1/2"	1115	643925000573	1	18.65	-	-	536.00
850-QT DC	2"	1116	643925000580	1	23.35	-	-	638.00
LF850-QT DC	1/2"	0683038	098268455540	1	4.99	-	-	295.50
LF850-QT DC	3/4"	0683039	098268455557	1	5.05	-	-	314.50
LF850-QT DC	1"	0683040	098268455564	1	7.55	-	-	351.50
LF850-QT DC	1 1/4"	0683041	098268455571	1	16.65	-	-	669.00
LF850-QT DC	1 1/2"	0683042	098268455588	1	18.65	-	-	711.00
LF850-QT DC	2"	0683043	098268455595	1	23.35	-	-	846.00

### With Union Connections and Quarter-Turn Shutoff Valves

850U-QT DC	1/2"	2611	643925017441	1	4.6	-	-	260.50
850U-QT DC	3/4"	2612	643925017458	1	6	-	-	285.50
850U-QT DC	1"	2613	643925017465	1	8.85	-	-	312.00
850U-QT DC	1 1/4"	2614	643925017472	1	17.4	-	-	636.00
850U-QT DC	1 1/2"	2615	643925017489	1	21.8	-	-	652.50
850U-QT DC	2"	2616	643925017496	1	25.25	-	-	762.00
LF850U-QT DC	1/2"	0122963	098268734614	1	4.6	-	-	344.50
LF850U-QT DC	3/4"	0122964	098268649888	1	6	-	-	378.00
LF850U-QT DC	1"	0122965	098268649901	1	8.85	-	-	413.00
LF850U-QT DC	1 1/4"	0122966	098268649918	1	17.4	-	-	842.50
LF850U-QT DC	1 1/2"	0122967	098268649963	1	21.8	-	-	865.50
LF850U-QT DC	2"	0122968	098268649970	1	25.25	-	-	1,009.00



Model LF850-QT DC

\*The wetted surface of this product contacted by consumable water contains less than 0.25% of lead by weight.

Supersedes all other price lists / Prices subject to change / Weights are estimated

<sup>1</sup>Grooved ends available on all OS&Y gate valves in some models and sizes. Expect larger lead times.

# DOUBLE CHECK VALVE ASSEMBLIES



A WATTS Brand

Model	Size	Ordering Code	UPC	Net Content	Consumer Unit Weight (lbs)	Case Qty	Case Weight (lbs)	List Price
-------	------	---------------	-----	-------------	----------------------------	----------	-------------------	------------

## DOUBLE CHECK VALVE ASSEMBLIES-DUCTILE IRON BODY

### Inline, Less Shutoff Valves

LEAD FREE <sup>1</sup>	Model	Size	Ordering Code	UPC	Net Content	Consumer Unit Weight (lbs)	Case Qty	Case Weight (lbs)	List Price
	LF850-LG DC	2 1/2"	0124520	098268836790	1	165	-	-	\$ 2,265.00
	LF850-LG DC	3"	0124522	098268836813	1	165	-	-	2,593.00
	LF850-LG DC	4"	0124523	098268836820	1	235	-	-	2,676.00
	LF850-LG DC	6"	0124524	098268836837	1	320	-	-	4,183.00
	LF850-LG DC	8"	0124525	098268836844	1	520	-	-	8,263.00
	LF850-LG DC	10"	0124526	098268836851	1	595	-	-	11,380.00

### Inline, NRS Shutoff Valves

LEAD FREE <sup>1</sup>	Model	Size	Ordering Code	UPC	Net Content	Consumer Unit Weight (lbs)	Case Qty	Case Weight (lbs)	List Price
	LF850-NRS DC	2 1/2"	0124527	098268836868	1	265	-	-	3,395.00
	LF850-NRS DC	3"	0124528	098268836875	1	290	-	-	3,887.00
	LF850-NRS DC	4"	0124529	098268836882	1	435	-	-	4,012.00
	LF850-NRS DC	6"	0124530	098268836899	1	605	-	-	6,270.00
	LF850-NRS DC	8"	0124531	098268836905	1	1000	-	-	12,392.00
	LF850-NRS DC	10"	0124532	098268836912	1	1410	-	-	17,068.00

### Inline, OSY Shutoff Valves

LEAD FREE <sup>1</sup>	Model	Size	Ordering Code	UPC	Net Content	Consumer Unit Weight (lbs)	Case Qty	Case Weight (lbs)	List Price
	LF850-DOSY DC	2 1/2"	0683074	643925026047	1	270	-	-	3,620.00
	LF850-DOSY DC	3"	0683075	643925026054	1	295	-	-	4,147.00
	LF850-DOSY DC	4"	0683076	643925026061	1	445	-	-	4,280.00
	LF850-DOSY DC	6"	0683077	643925026078	1	625	-	-	6,689.00
	LF850-DOSY DC	8"	0683078	643925026085	1	1030	-	-	13,218.00
	LF850-DOSY DC	10"	0683079	643925026092	1	1450	-	-	18,202.00



LF850-NRS DC  
Horizontal Installation



LF850-NRS DC  
Vertical Installation

\*The wetted surface of this product contacted by consumable water contains less than 0.25% of lead by weight.

Supersedes all other price lists / Prices subject to change / Weights are estimated

<sup>1</sup>Grooved ends available on all OS&Y gate valves in some models and sizes. Expect larger lead times.



# DOUBLE CHECK VALVE ASSEMBLIES



A WATTS Brand

Model	Size	Ordering Code	UPC	Net Content	Consumer Unit Weight (lbs)	Case Qty	Case Weight (lbs)	List Price
-------	------	---------------	-----	-------------	----------------------------	----------	-------------------	------------

## DOUBLE CHECK VALVE ASSEMBLIES-DUCTILE IRON BODY CONTINUED

### N- Pattern, Less Shutoff Valves

LEAD FREE <sup>1</sup>	Model	Size	Ordering Code	UPC	Net Content	Consumer Unit Weight (lbs)	Case Qty	Case Weight (lbs)	List Price
	LF870V-LG DC	2 1/2"	0124536	098268836950	1	145	-	-	\$ 2,492.00
	LF870V-LG DC	3"	0124537	098268836967	1	145	-	-	2,852.00
	LF870V-LG DC	4"	0124538	098268836974	1	235	-	-	2,945.00
	LF870V-LG DC	6"	0124539	098268836981	1	395	-	-	4,601.00
	LF870V-LG DC	8"	0124540	098268836998	1	640	-	-	9,089.00

### N-Pattern, NRS Shutoff Valves

LEAD FREE <sup>1</sup>	Model	Size	Ordering Code	UPC	Net Content	Consumer Unit Weight (lbs)	Case Qty	Case Weight (lbs)	List Price
	LF870V-NRS DC	2 1/2"	0124542	098268837018	1	245	-	-	3,733.00
	LF870V-NRS DC	3"	0124543	098268837025	1	270	-	-	4,274.00
	LF870V-NRS DC	4"	0124544	098268837032	1	435	-	-	4,414.00
	LF870V-NRS DC	6"	0124545	098268837049	1	680	-	-	6,899.00
	LF870V-NRS DC	8"	0124546	098268837056	1	1115	-	-	13,631.00

### N-Pattern, OSY Shutoff Valves

LEAD FREE <sup>1</sup>	Model	Size	Ordering Code	UPC	Net Content	Consumer Unit Weight (lbs)	Case Qty	Case Weight (lbs)	List Price
	LF870V-DOSY DC	2 1/2"	0683110	643925026405	1	250	-	-	3,983.00
	LF870V-DOSY DC	3"	0683111	643925026412	1	275	-	-	4,561.00
	LF870V-DOSY DC	4"	0683112	643925026429	1	445	-	-	4,707.00
	LF870V-DOSY DC	6"	0683113	643925026436	1	700	-	-	7,358.00
	LF870V-DOSY DC	8"	0683114	643925026443	1	1145	-	-	14,537.00



LF870V  
N-Shape Configuration

\*The wetted surface of this product contacted by consumable water contains less than 0.25% of lead by weight.

Supersedes all other price lists / Prices subject to change / Weights are estimated

<sup>1</sup>Grooved ends available on all OS&Y gate valves in some models and sizes. Expect larger lead times.

# DOUBLE CHECK DETECTOR VALVE ASSEMBLIES



A WATTS Brand

Model	Size	Ordering Code	UPC	Net Content	Consumer Unit Weight (lbs)	Case Qty	Case Weight (lbs)	List Price
-------	------	---------------	-----	-------------	----------------------------	----------	-------------------	------------

## DOUBLE CHECK DETECTOR ASSEMBLIES (TYPE II) DUCTILE IRON BODY

### Inline, Less Shutoff Valves

			GPM	CFM					
LEAD FREE	LF856-LF-GPM	2 1/2"	0124426	-	098268833362	1	174	-	\$ 3,058.00
	LF856-LF-GPM	3"	0124427	-	098268833386	1	180	-	3,498.00
	LF856-LF-GPM	4"	0124428	-	098268833393	1	210	-	3,610.00
	LF856-LF-GPM	6"	0124429	-	098268833409	1	317	-	5,643.00
	LF856-LF-GPM	8"	0124430	-	098268833423	1	541	-	11,152.00
	LF856-LF-GPM	10"	0124431	-	098268833430	1	559	-	15,360.00

### Inline, OSY Shutoff Valves

			GPM	CFM					
LEAD FREE	LF856-DOSY-GPM	2 1/2"	0124433	0124435	098268833492	1	285	-	4,887.00
	LF856-DOSY-GPM	3"	0124438	0124440	098268833539	1	310	-	5,594.00
	LF856-DOSY-GPM	4"	0124443	0124445	098268833652	1	460	-	5,775.00
	LF856-DOSY-GPM	6"	0124449	0124451	098268834772	1	640	-	9,027.00
	LF856-DOSY-GPM	8"	0124455	0124458	098268834918	1	1045	-	17,841.00
	LF856-DOSY-GPM	10"	0124461	0124463	098268835281	1	1465	-	24,572.00

### N-Pattern, OSY Shutoff Valves

			GPM	CFM					
LEAD FREE	LF876V-DOSY-GPM	2 1/2"	0124472	0124474	098268835397	1	265	-	5,376.00
	LF876V-DOSY-GPM	3"	0124476	0124844	098268835441	1	290	-	6,156.00
	LF876V-DOSY-GPM	4"	0124478	0124480	098268835489	1	460	-	6,351.00
	LF876V-DOSY-GPM	6"	0124483	0124485	098268835625	1	715	-	9,929.00
	LF876V-DOSY-GPM	8"	0124488	0124490	098268835748	1	1160	-	19,624.00



LF856DCDA-OSY



LF876VDCDA  
N-Shape Configuration

\*The wetted surface of this product contacted by consumable water contains less than 0.25% of lead by weight.

Supersedes all other price lists / Prices subject to change / Weights are estimated

<sup>1</sup>Grooved ends available on all OS&Y gate valves in some models and sizes. Expect larger lead times.



# REDUCED PRESSURE ZONE ASSEMBLIES



A WATTS Brand

Model	Size	Ordering Code	UPC	Net Content	Consumer Unit Weight (lbs)	Case Qty	Case Weight (lbs)	List Price
-------	------	---------------	-----	-------------	----------------------------	----------	-------------------	------------

## REDUCED PRESSURE ZONE ASSEMBLIES-BRONZE BODY

### With Quarter-Turn Shutoff Valves

825Y-QT RP	3/4"	825DBV	643925001686	1	12.9	-	-	\$ 479.00
825Y-QT RP	1"	825EBV	643925001815	1	14.06	-	-	505.00
825Y-QT RP	1 1/4"	825FBV	643925001945	1	15.65	-	-	930.50
825Y-QT RP	1 1/2"	825GBV	643925002003	1	32.2	-	-	958.00
825Y-QT RP	2"	825HBV	643925002133	1	37.85	-	-	1,016.00



LF825Y-QT RP	3/4"	0683006	098268455274	1	12.9	-	-	634.00
LF825Y-QT RP	1"	0683007	098268455281	1	14.06	-	-	668.50
LF825Y-QT RP	1 1/4"	0683008	098268455298	1	15.65	-	-	1,231.00
LF825Y-QT RP	1 1/2"	0683009	098268455304	1	32.2	-	-	1,269.00
LF825Y-QT RP	2"	0683010	098268455311	1	37.85	-	-	1,346.00



### With Angled Union Connections and Quarter-Turn Shutoff Valves

825YA-QT RP	3/4"	825DBV70	643925001716	1	15.15	-	-	619.50
825YA-QT RP	1"	825EBV70	643925001853	1	16.15	-	-	660.50
825YA-QT RP	1 1/2"	825GBV70	643925002041	1	39	-	-	1,196.00
825YA-QT RP	2"	825HBV70	643925002164	1	44.75	-	-	1,293.00

LF825YA-QT RP	3/4"	0683011	098268455328	1	15.15	-	-	820.50
LF825YA-QT RP	1"	0683012	098268455335	1	16.15	-	-	874.00
LF825YA-QT RP	1 1/2"	0683013	098268455342	1	39	-	-	1,583.00
LF825YA-QT RP	2"	0683014	098268455359	1	44.75	-	-	1,715.00

### With Quarter-Turn Shutoff Valves

860-QT RP	1/2"	1311	643925000658	1	6.5	-	-	416.50
860-QT RP	3/4"	1312	643925000665	1	7.15	-	-	436.00
860-QT RP	1"	1313	643925000672	1	9.55	-	-	464.50
860-QT RP	1 1/4"	1314	643925000689	1	20.95	-	-	889.00
860-QT RP	1 1/2"	1315	643925000696	1	23.4	-	-	948.00
860-QT RP	2"	1316	643925000702	1	27.75	-	-	1,008.00



LF860-QT RP	1/2"	0683000	098268455212	1	6.5	-	-	552.00
LF860-QT RP	3/4"	0683001	098268455229	1	7.15	-	-	576.50
LF860-QT RP	1"	0683002	098268455236	1	9.55	-	-	614.00
LF860-QT RP	1 1/4"	0683003	098268455243	1	20.95	-	-	1,179.00
LF860-QT RP	1 1/2"	0683004	098268455250	1	23.4	-	-	1,257.00
LF860-QT RP	2"	0683005	098268455267	1	27.75	-	-	1,338.00

### With Union Connections and Quarter-Turn Shutoff Valves

860U-QT RP	1/2"	2811	643925017564	1	7.25	-	-	504.00
860U-QT RP	3/4"	2812	643925017571	1	8.2	-	-	568.50
860U-QT RP	1"	2813	643925017588	1	10.6	-	-	621.50
860U-QT RP	1 1/4"	2814	643925017601	1	22.2	-	-	1,004.00
860U-QT RP	1 1/2"	2815	643925017625	1	25.9	-	-	1,146.00
860U-QT RP	2"	2816	643925017649	1	31.3	-	-	1,221.00

LF860U-QT RP	1/2"	0122969	098268649987	1	7.25	-	-	668.50
LF860U-QT RP	3/4"	0122970	098268649994	1	8.2	-	-	753.50
LF860U-QT RP	1"	0122971	098268650006	1	10.6	-	-	824.00
LF860U-QT RP	1 1/4"	0122972	098268650013	1	22.2	-	-	1,331.00
LF860U-QT RP	1 1/2"	0122973	098268650020	1	25.9	-	-	1,521.00
LF860U-QT RP	2"	0122974	098268650037	1	31.3	-	-	1,618.00

\*The wetted surface of this product contacted by consumable water contains less than 0.25% of lead by weight.

Supersedes all other price lists / Prices subject to change / Weights are estimated

<sup>1</sup>Grooved ends available on all OS&Y gate valves in some models and sizes. Expect larger lead times.

# REDUCED PRESSURE ZONE ASSEMBLIES



A WATTS Brand

Model	Size	Ordering Code	UPC	Net Content	Consumer Unit Weight (lbs)	Case Qty	Case Weight (lbs)	List Price
-------	------	---------------	-----	-------------	----------------------------	----------	-------------------	------------

## REDUCED PRESSURE ZONE ASSEMBLIES-DUCTILE IRON BODY

### Inline, Less Shutoff Valves

LEAD FREE	Model	Size	Ordering Code	UPC	Net Content	Consumer Unit Weight (lbs)	Case Qty	Case Weight (lbs)	List Price
	LF860-LG RP	2 1/2"	0122926	098268648126	1	195	-	-	\$ 3,148.00
	LF860-LG RP	3"	0122927	098268648133	1	195	-	-	3,658.00
	LF860-LG RP	4"	0122928	098268648140	1	265	-	-	4,048.00
	LF860-LG RP	6"	0122929	098268648232	1	360	-	-	6,439.00
	LF860-LG RP	8"	0122930	098268648256	1	560	-	-	11,270.00
	LF860-LG RP	10"	0122931	098268648263	1	635	-	-	15,357.00

### Inline, NRS Shutoff Valves

LEAD FREE	Model	Size	Ordering Code	UPC	Net Content	Consumer Unit Weight (lbs)	Case Qty	Case Weight (lbs)	List Price
	LF860-NRS RP	2 1/2"	0122932	098268648331	1	295	-	-	4,718.00
	LF860-NRS RP	3"	0122933	098268648348	1	320	-	-	5,486.00
	LF860-NRS RP	4"	0122934	098268648355	1	465	-	-	6,070.00
	LF860-NRS RP	6"	0122935	098268648393	1	645	-	-	9,656.00
	LF860-NRS RP	8"	0122936	098268648492	1	1040	-	-	16,904.00
	LF860-NRS RP	10"	0122937	098268648508	1	1440	-	-	23,034.00

### Inline, Less Shutoff Valves

LEAD FREE	Model	Size	Ordering Code	UPC	Net Content	Consumer Unit Weight (lbs)	Case Qty	Case Weight (lbs)	List Price
	LF860-DOSY RP	2 1/2"	0683098	643925026283	1	300	-	-	5,034.00
	LF860-DOSY RP	3"	0683099	643925026290	1	325	-	-	5,851.00
	LF860-DOSY RP	4"	0683100	643925026306	1	475	-	-	6,474.00
	LF860-DOSY RP	6"	0683101	643925026313	1	665	-	-	10,298.00
	LF860-DOSY RP	8"	0683102	643925026320	1	1070	-	-	18,029.00
	LF860-DOSY RP	10"	0683103	643925026337	1	1480	-	-	24,569.00

### N-Pattern, Less Shutoff Valves

LEAD FREE	Model	Size	Ordering Code	UPC	Net Content	Consumer Unit Weight (lbs)	Case Qty	Case Weight (lbs)	List Price
	LF880V-LG RP	2 1/2"	0122945	098268649000	1	165	-	-	3,478.00
	LF880V-LG RP	3"	0122946	098268649024	1	165	-	-	4,046.00
	LF880V-LG RP	4"	0122947	098268649048	1	255	-	-	4,472.00
	LF880V-LG RP	6"	0122948	098268649109	1	415	-	-	7,116.00
	LF880V-LG RP	8"	0122949	098268649116	1	660	-	-	12,456.00

### N-Pattern, NRS Shutoff Valves

LEAD FREE	Model	Size	Ordering Code	UPC	Net Content	Consumer Unit Weight (lbs)	Case Qty	Case Weight (lbs)	List Price
	LF880V-NRS RP	2 1/2"	0122951	098268649130	1	265	-	-	5,217.00
	LF880V-NRS RP	3"	0122952	098268649147	1	290	-	-	6,065.00
	LF880V-NRS RP	4"	0122953	098268649154	1	455	-	-	6,707.00
	LF880V-NRS RP	6"	0122954	098268649208	1	700	-	-	10,674.00
	LF880V-NRS RP	8"	0122955	098268649215	1	1135	-	-	18,683.00

### N-Pattern, OSY Shutoff Valves

LEAD FREE	Model	Size	Ordering Code	UPC	Net Content	Consumer Unit Weight (lbs)	Case Qty	Case Weight (lbs)	List Price
	LF880V-DOSY RP	2 1/2"	0683134	6439255026641	1	270	-	-	5,564.00
	LF880V-DOSY RP	3"	0683135	6439255026658	1	295	-	-	6,468.00
	LF880V-DOSY RP	4"	0683136	6439255026665	1	465	-	-	7,155.00
	LF880V-DOSY RP	6"	0683137	6439255026672	1	720	-	-	11,383.00
	LF880V-DOSY RP	8"	0683138	6439255026689	1	1165	-	-	19,928.00



LF860-NRS RP



LF880V  
N-Shape Configuration

\*The wetted surface of this product contacted by consumable water contains less than 0.25% of lead by weight.

Supersedes all other price lists / Prices subject to change / Weights are estimated

<sup>1</sup>Grooved ends available on all OS&Y gate valves in some models and sizes. Expect larger lead times.

# REDUCED PRESSURE DETECTOR ASSEMBLIES



A WATTS Brand

Model	Size	Ordering Code	UPC	Net Content	Consumer Unit Weight (lbs)	Case Qty	Case Weight (lbs)	List Price
-------	------	---------------	-----	-------------	----------------------------	----------	-------------------	------------

## REDUCED PRESSURE DETECTOR ASSEMBLIES (TYPE II) DUCTILE IRON BODY

### Inline Pattern Less Shutoff Valves



LF866

		GPM	CFM					
LF866-LG	2 1/2"	0683150	0683156	098268077797	1	205	-	\$ 3,836.00
LF866-LG	3"	0683151	0683157	098268077803	1	211	-	4,460.00
LF866-LG	4"	0683152	0683158	098268077810	1	280	-	4,935.00
LF866-LG	6"	0683153	0683159	098268077827	1	375	-	7,851.00
LF866-LG	8"	0683154	0683160	098268077858	1	525	-	13,744.00
LF866-LG	10"	0683155	0683161	098268077896	1	650	-	18,726.00

### Inline Pattern, OSY Shutoff Valves



LF866V

		GPM	CFM					
LF866-DOSY	2 1/2"	0683162	0683163	098268078022	1	315	-	6,135.00
LF866-DOSY	3"	0683164	0683165	098268078039	1	340	-	7,136.00
LF866-DOSY	4"	0683166	0683167	098268078060	1	450	-	7,892.00
LF866-DOSY	6"	0683168	0683169	098268078114	1	680	-	12,558.00
LF866-DOSY	8"	0683170	0683171	098268078145	1	1080	-	21,984.00
LF866-DOSY	10"	0683172	0683173	098268078169	1	1495	-	29,959.00

### N-Pattern, OSY Shutoff Valves

		GPM	CFM					
LF886V-DOSY	2 1/2"	0683210	0683211	098268079166	1	288	-	6,748.00
LF886V-DOSY	3"	0683212	0683213	098268079210	1	320	-	7,848.00
LF886V-DOSY	4"	0683214	0683215	098268079241	1	480	-	8,682.00
LF886V-DOSY	6"	0683216	0683217	098268079364	1	735	-	13,813.00
LF886V-DOSY	8"	0683218	0683219	098268079395	1	1180	-	24,182.00

\*The wetted surface of this product contacted by consumable water contains less than 0.25% of lead by weight.

Supersedes all other price lists / Prices subject to change / Weights are estimated

<sup>1</sup>Grooved ends available on all OS&Y gate valves in some models and sizes. Expect larger lead times.

Model	Size	Ordering Code	UPC	Net Content	Consumer Unit Weight (lbs)	Case Qty	Case Weight (lbs)	List Price
-------	------	---------------	-----	-------------	----------------------------	----------	-------------------	------------

**Atmospheric Vacuum Breaker**

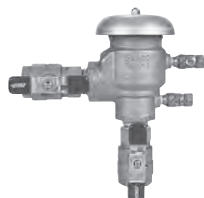
715A AVB	1/2"	715C	643925001020	1	1	-	-	\$ 90.00
715A AVB	3/4"	715D	643925001051	1	1.39	-	-	100.50
710A AVB	1"	710E	643925000948	1	2.12	-	-	131.50
710A AVB	1 1/4"	710F	643925000962	1	3.49	-	-	216.00
710A AVB	1 1/2"	710G	643925000986	1	5.84	-	-	230.50
710A AVB	2"	710H	643925001006	1	6	-	-	307.00



710 / 715 AVB

**Pressure Vacuum Breaker with Quarter-Turn Shutoffs**

765-QT PVB	1/2"	765CBV	643925001105	1	3.1	-	-	175.50
765-QT PVB	3/4"	765DBV	643925001112	1	3.6	-	-	178.50
765-QT PVB	1"	765EBV	643925001136	1	8.35	-	-	200.50
765-QT PVB	1 1/4"	765FBV	643925001150	1	8.4	-	-	598.00
765-QT PVB	1 1/2"	765GBV	643925001174	1	19.4	-	-	656.50
765-QT PVB	2"	765HBV	643925001198	1	22.2	-	-	729.50



765-QT PVB

**Pressure Vacuum Breaker w/Union Connections and Quarter-Turn Shutoffs**

U765-QT PVB	1/2"	765CUB	643925017953	1	4	-	-	198.50
U765-QT PVB	3/4"	765DUB	643925017960	1	4.75	-	-	200.50
U765-QT PVB	1"	765EUB	643925017977	1	8.35	-	-	231.50
U765-QT PVB	1 1/4"	765FUB	643925017984	1	10.81	-	-	656.50
U765-QT PVB	1 1/2"	765GUB	643925017991	1	23.4	-	-	750.00
U765-QT PVB	2"	765HUB	643925018004	1	28.75	-	-	842.50

**Freeze Resistant Pressure Vacuum Breaker with Quarter-Turn Shutoffs**

LF767FR PVB	1/2"	0683027	098268455489	1	3.3	-	-	492.50
LF767FR PVB	3/4"	0683028	098268455496	1	4.1	-	-	492.50
LF767FR PVB	1"	0683029	098268455502	1	5.9	-	-	499.00
LF767FR PVB	1 1/4"	0683030	098268455519	1	11.3	-	-	893.50
LF767FR PVB	1 1/2"	0683031	098268455526	1	16.52	-	-	1,006.00
LF767FR PVB	2"	0683032	098268455533	1	17.8	-	-	1,131.00



LF767FR

\*The wetted surface of this product contacted by consumable water contains less than 0.25% of lead by weight.

Supersedes all other price lists / Prices subject to change / Weights are estimated

<sup>1</sup>Grooved ends available on all OS&Y gate valves in some models and sizes. Expect larger lead times.

Model	Size	Ordering Code	UPC	Net Content	Consumer Unit Weight (lbs)	Case Qty	Case Weight (lbs)	List Price
<b>Air Gap</b>								
867-AG-1	2 1/2" - 3"	0710199	643925022162	1	4.23	6	25.37	\$ 125.00
867-AGE-1	2 1/2" - 3"	0710200	643925022179	1	3.06	6	18.6	223.50
825Y-AG Plastic	3/4" - 2"	905082	643925000467	1	0.55	-	-	30.25
825Y-AG Metal	2 1/2" - 10"	905083	643925014600	1	1.55	-	-	126.00
601-AG Metal	2 1/2" - 10"	905213	643925000450	1	2.6	-	-	117.50
601-AG Plastic	1/2" - 1"	905358	643925018943	1	0.51	-	-	24.50
601-AG Plastic	1 1/4" - 2"	905359	643925018950	1	0.82	-	-	31.50
825Y-AG Metal	3/4" - 2"	905531	643925019186	1	0.92	-	-	57.50
860-AG Metal	1/2" - 1"	905532	643925019209	1	1.68	-	-	39.25
860-AG Aluminum	1 1/4" - 2"	905533	643925019216	1	2.81	-	-	53.50



601-AG

## VALVE SETTERS FOR SERIES LF870V, LF876VST, LF880V, LF886V

### Mechanical Joint x Flange

LEAD FREE	611-MJ x FL	3"	905199	643925015249	1	105	-	-	546.00
	611-MJ x FL	4"	905200	643925015256	1	112	-	-	687.50
	611-MJ x FL	6"	905201	643925015263	1	232	-	-	898.50
	611-MJ x FL	8"	905202	643925015270	1	334	-	-	1,202.00
	611-MJ x FL	10"	905203	643925015287	1	395	-	-	1,786.00

### Flange x Flange

LEAD FREE	611-FL x FL	2 1/2"	905204	643925015294	1	102	-	-	516.50
	611-FL x FL	3"	905205	643925015300	1	89	-	-	546.00
	611-FL x FL	4"	905206	643925015317	1	113	-	-	687.50
	611-FL x FL	6"	905207	643925015324	1	229	-	-	898.50
	611-FL x FL	8"	905208	643925015331	1	330	-	-	1,202.00
	611-FL x FL	10"	905209	643925015348	1	430	-	-	1,786.00

### Mechanical Joint x Mechanical Joint

LEAD FREE	611-MJ x MJ	3"	905329	643925015959	1	105	-	-	546.00
	611-MJ x MJ	4"	905330	643925015966	1	109	-	-	687.50
	611-MJ x MJ	6"	905331	643925015973	1	248	-	-	898.50
	611-MJ x MJ	8"	905332	643925015980	1	335	-	-	1,202.00
	611-MJ x MJ	10"	905333	643925015997	1	328	-	-	1,786.00



611-FL x FL



611-MJ x MJ

\*The wetted surface of this product contacted by consumable water contains less than 0.25% of lead by weight.

Supersedes all other price lists / Prices subject to change / Weights are estimated

<sup>1</sup>Grooved ends available on all OS&Y gate valves in some models and sizes. Expect larger lead times.

# ACCESSORIES



A WATTS Brand

Model	Size	Ordering Code	UPC	Net Content	Consumer Unit Weight (lbs)	Case Qty	Case Weight (lbs)	List Price
-------	------	---------------	-----	-------------	----------------------------	----------	-------------------	------------

### Copper Silicon Alloy Wye-Strainer

LEAD FREE	LF650A	1/2"	0122975	098268650044	1	1	8	8	\$ 43.00
	LF650A	3/4"	0122976	098268707380	1	1.87	12	22.4	50.75
	LF650A	1"	0122977	098268650181	1	1.75	6	10.5	66.75
	LF650A	1 1/4"	0122978	098268650198	1	3.72	3	11.18	105.00
	LF650A	1 1/2"	0122979	098268707397	1	4.75	4	19	138.00
	LF650A	2"	0122980	098268707403	1	7.1	3	21.3	211.50



LF650A

### Epoxy Coated Iron Wye-Strainer

LEAD FREE	758A	2 1/2"	4325	098268343274	1	32.54	-	-	384.00
	758A	3"	4326	098268343281	1	36	-	-	423.50
	758A	4"	4327	098268343298	1	69.85	-	-	643.00
	758A	6"	4328	098268343304	1	159	-	-	1,188.00
	758A	8"	4329	098268343311	1	270	-	-	2,505.00
	758A	10"	4330	098268343328	1	393	-	-	4,085.00



758A

### Epoxy Coated Spool for Series 850/LF850, 856, 856ST, 860/LF860

LEAD FREE	Spool	4"	905523	643925019810	1	25.33	-	-	312.50
	Spool	6"	905524	643925019827	1	36.57	-	-	381.50
	Spool	8"	905525	643925019834	1	51.95	-	-	474.00

### Full Port Test Cock

LEAD FREE	LFFPTC-F	1/8"	781074LL	098268504194	1	0.13	-	-	16.50
	LFFPTC-F	1/4"	781075LL	098268504200	1	0.13	-	-	16.50
	LFFPTC-M	1/8"x1/4"	0124835	098268845006	1	0.10	-	-	15.00
	SAE TC ADAPTOR	1/4"x1/4"	781076	098268472417	1	0.21	-	-	35.00



LFFPTC-1

### Backflow Test Kit for all Testable Assemblies

TK1	NA	0710194	643925022117	1	7.9	-	-	3,667.00
-----	----	---------	--------------	---	-----	---	---	----------

### Stand fits all valve sizes - Adjustable 10 - 38 IN

BFSTD-1		0710249	643925025118	1	20	-	20	302.50
---------	--	---------	--------------	---	----	---	----	--------

### Gate Valve Mounting Kit for 2 1/2 - 10 DuraCheck and Master Series

FAK 2 1/2 MT	2 1/2"	905036	643925014402	1	4.44	-	-	114.50
FAK 3 MT	3"	905037	643925014419	1	3.88	-	-	129.00
FAK 4 MT	4"	905038	643925014426	1	7.0	-	-	239.00
FAK 6 MT	6"	905039	643925014433	1	13.01	-	-	271.50
FAK 8 MT	8"	905040	643925014440	1	10.82	-	-	281.00
FAK 10 MT	10"	905041	643925014457	1	30.06	-	-	457.50

# IRRIGATION SPECIALTIES

Model	Size	Ordering Code	UPC	Net Content	Consumer Unit Weight (lbs)	Case Qty	Case Weight (lbs)	List Price
-------	------	---------------	-----	-------------	----------------------------	----------	-------------------	------------

### Irrigation Specialties

#### Key Operated Wall Hydrant

FPHB1-8	3/4" x 8"	0710013	643925020304	1	7.95	-	-	\$ 614.50
FPHB1-10	3/4" x 10"	0710014	643925020311	1	7.8	-	-	636.50
FPHB1-12	3/4" x 12"	0710015	643925020328	1	8.58	-	-	645.50
FPHB1-8	1" x 8"	0710016	643925020335	1	7.7	-	-	615.50
FPHB1-10	1" x 10"	0710017	643925020342	1	8.25	-	-	640.00
FPHB1-12	1" x 12"	0710018	643925020359	1	8.68	-	-	655.00



FPHB1

\*The wetted surface of this product contacted by consumable water contains less than 0.25% of lead by weight.

Supersedes all other price lists / Prices subject to change / Weights are estimated

<sup>1</sup>Grooved ends available on all OS&Y gate valves in some models and sizes. Expect larger lead times.



## HOW TO ORDER REPAIR KITS

1. Determine FEBCO Model number and unit size, typically these are cast into the body of the unit and/or imprinted on the valve label.
2. Locate the page corresponding to the Model number and determine the parts needing replacement.
3. Obtain the part number for the repair kit containing the parts required.
4. Contact your FEBCO Distributor to order the repair kit.
5. A more detailed description of repair procedures can be found in the FEBCO Maintenance Manual. Maintenance Manuals are available from your local FEBCO Representative or can be downloaded from the FEBCO website at [www.FEBCOonline.com](http://www.FEBCOonline.com).

## QUICK REFERENCE PARTS LIST

Following is a list of the most commonly used items for the repair and service of FEBCO Backflow Preventers. A more comprehensive list follows. Visit [www.FEBCOonline.com](http://www.FEBCOonline.com) to download the FEBCO Parts Selection Guide which can help identify specific part numbers needed to repair your FEBCO unit.

### FEBCO Model 765

Ordering Code	Size	Desc.	List Price
901857	1 1/2" & 2"	Bonnet Assembly Kit	\$ 128.50
901860	1 1/2" & 2"	Poppet Assembly Kit	39.50
905020	1/2" & 3/4"	Rubber Parts Kit	28.50
905021	1" & 1 1/4"	Rubber Parts Kit	31.50
905022	1 1/2" & 2"	Rubber Parts Kit	36.00
905047	1/2" & 3/4"	Bonnet Assembly Kit	31.50
905048	1" & 1 1/4"	Bonnet Assembly Kit	37.75
905049	1/2" & 3/4"	Poppet Assembly Kit	19.00
905050	1" & 1 1/4"	Poppet Assembly Kit	25.25
905051	1/2" & 3/4"	Check Assembly Kit	27.00
905052	1" & 1 1/4"	Check Assembly Kit	33.00
905070	1 1/2" & 2"	Check Assembly Kit	92.25
905211	1/2" & 3/4"	Bonnet/Poppet Kit	39.50
905212	1" & 1 1/4"	Bonnet/Poppet Kit	48.75

### FEBCO Models 850/LF850, 850U/LF850U, 860/LF860 & 860U/LF860U (1/2" - 2")

Ordering Code	Size	Desc.	List Price
905342	1/2" & 3/4"	Rubber Kit for both checks	\$ 11.25
905343	1"	Rubber Kit for both checks	13.00
905344	1 1/4" - 2"	Rubber Kit for both checks	23.75
905345	1/2" - 1"	Relief Valve Rubber Kit	27.00
905346	1 1/4" - 2"	Relief Valve Rubber Kit	37.75
905347	1/2" & 3/4"	Single Check Kit (860 outlet)	31.50
905349	1"	Single Check Kit (860 outlet)	36.00
905351	1 1/4" - 2"	Single Check Kit (860 outlet)	37.75
905348	1/2" & 3/4"	860 Inlet Check Kit	33.00
905350	1"	860 Inlet Check Kit	37.75
905352	1 1/4" - 2"	860 Inlet Check Kit	37.75
905353	1/2" - 1"	Full Relief Valve Module Kit	135.00
905354	1 1/4" - 2"	Full Relief Valve Module Kit	184.00
905355	1/2" & 3/4"	Check & RV Rubber Kit	36.00
905356	1"	Check & RV Rubber Kit	37.75
905357	1 1/4" - 2"	Check & RV Rubber Kit	55.00

### FEBCO DURACHECK (2 1/2" - 10") MODELS 805YD, 806YD, 825YD, 826YD

Ordering Code	Size	Desc.	List Price
905059	2 1/2"	Rubber Parts Kit	\$ 42.50
905060	3"	Rubber Parts Kit	62.75
905061	4"	Rubber Parts Kit	95.50
905062	6"	Rubber Parts Kit	136.00
905063	8"	Rubber Parts Kit	186.00
905064	10"	Rubber Parts Kit	218.50
905102	All	Relief Valve Rubber Kit	186.00

### FEBCO Models 825Y/LF825Y, 825YA/LF825YA (1/2" - 2")

Ordering Code	Size	Desc.	List Price
905042	3/4" - 1 1/4"	Rubber Kit for both checks	\$ 20.50
905053	1 1/2" & 2"	Rubber Kit for both checks	33.00
905043	3/4" - 1 1/4"	Relief Valve Rubber Kit	36.00
905054	1 1/2" & 2"	Relief Valve Rubber Kit	62.75
905111	3/4" - 1 1/4"	Complete Rubber Kit	45.50
905112	1 1/2" & 2"	Complete Rubber Kit	92.25
905044	3/4" - 1 1/4"	Single Check Kit	56.50
905055	1 1/2" & 2"	Single Check Kit	84.75
905045	3/4" - 1 1/4"	Relief Valve Kit	176.50
905056	1 1/2" & 2"	Relief Valve Kit	269.00
905113	3/4" & 1"	Relief Valve Seat Ring Kit	36.00
905114	1 1/2" & 2"	Relief Valve Seat Ring Kit	50.25
905417	3/4" & 1"	Relief Valve Seat Kit	53.00
905418	1 1/2" & 2"	Relief Valve Seat Kit	73.75

### FEBCO MasterSeries (2 1/2" - 10") Models 850, 856, 870V, 876V, 860, 880V

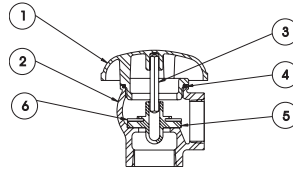
Ordering Code	Size	Desc.	List Price
905153	4"	DC/DCDA Disc Assembly	\$ 127.00
905154	6"	DC/DCDA Disc Assembly	158.50
905155	8"	DC/DCDA Disc Assembly	295.50
905162	2 1/2" - 3"	DC/DCDA Rubber Parts Kit	245.50
905163	4"	DC/DCDA Rubber Parts Kit	245.50
905164	6"	DC/DCDA Rubber Parts Kit	339.00
905165	8" (&10" 850/856)	DC/DCDA Rubber Parts Kit	736.50
905187	2 1/2" & 3"	860 Check & RV Rubber Kit	379.50
905188	4"	860 Check & RV Rubber Kit	379.50
905189	6"	860 Check & RV Rubber Kit	434.00
905190	8" &10"	860 Check & RV Rubber Kit	748.50
905224	2 1/2" & 3"	880 Disc Assembly	127.00
905225	4"	880 Disc Assembly	127.00
905226	6"	880 Disc Assembly	158.50
905227	2 1/2" & 3"	880 Check & RV Rubber Kit	379.50
905228	4"	880 Check & RV Rubber Kit	379.50
905229	6"	880 Check & RV Rubber Kit	434.00
905316	All	RP Relief Valve Rubber Kit	107.00

### FEBCO MODELS 710, 715

Ordering Code	Size	Desc.	List Price
901217	1"	710 Bonnet/Stem Kit	\$ 23.75
901549	1"	710 Poppet Kit	14.25
901550	1 1/4"	710 Poppet Kit	27.00
901551	1 1/2"	710 Poppet Kit	48.75
901552	2"	710 Poppet Kit	50.25
905046	All	715 Poppet Kit	14.25

## 710/715

### 1/2" - 2" Atmospheric Vacuum Breaker



Ordering Code	Size	List Price
<b>Model 715 Bonnet/Stem Kit</b>		
901217	1/2"-3/4"	\$ 23.75
901250	1"	34.75

Kit Includes: Items 1 & 3

#### Model 715 Poppet Kit

Ordering Code	Size	List Price
905046	1/2"-3/4"	14.25
901549	1"	14.25

Kit Includes: Items 4, 5 & 6

Ordering Code	Size	List Price
<b>Model 710 Bonnet/Stem Kit</b>		
901251	1 1/4"	\$ 69.00
901252	1 1/2"	69.00
901253	2"	81.25

Kit Includes: Items 1 & 3

#### Model 710 Poppet Kit

Ordering Code	Size	List Price
901550	1 1/4"	27.00
901551	1 1/2"	48.75
901552	2"	50.25

Kit Includes: Items 4, 5 & 6

## 765

### 1/2" - 2" Pressure Vacuum Breaker

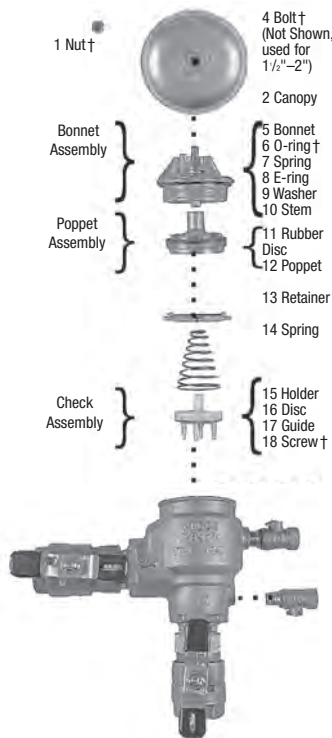


Illustration shown is for sizes 3/4" through 1 1/4" only.

Bonnet and bolt for 1/2" and 2" not shown.

† Commercial Parts

‡ The FEBCO Model 765 design differs slightly from the illustration for sizes 1 1/2" and 2". Kits may include additional parts not listed on diagram.

\*The wetted surface of this product contacted by consumable water contains 0.25% of lead by weight.

Supersedes all other price lists / Prices subject to change / Weights are estimated

† Grooved ends available on all OS&Y gate valves in some models and sizes. Expect larger lead times.

Ordering Code	Size	List Price
<b>Bonnet/Poppet Kit</b>		
905211	1/2"-3/4"	\$ 39.50
905212	1"-1 1/4"	48.75

Kit Includes: Items 5-12

#### Poppet Assembly Kit

Ordering Code	Size	List Price
905049	1/2"-3/4"	19.00
905050	1"-1 1/4"	25.25
901860	1 1/2"-2"	39.50

Kit Includes: Items 11, 12

#### Bonnet Assembly Kit

Ordering Code	Size	List Price
905047	1/2"-3/4"	31.50
905048	1"-1 1/4"	37.75
901857	1 1/2"-2"	128.50

Kit Includes: Items 5-10

#### Check Assembly Kit

Ordering Code	Size	List Price
905051	1/2"-3/4"	27.00
905052	1"-1 1/4"	33.00
905070	1 1/2"-2"	92.25

Kit Includes: Items 15-18

#### Rubber Parts Kit

Ordering Code	Size	List Price
905020	1/2"-3/4"	28.50
905021	1"-1 1/4"	31.50
905022	1 1/2"-2"	36.00

Kit Includes: Items 6, 11, 16

#### Canopy

Ordering Code	Size	List Price
300092	1/2"	23.75
300093	3/4"	23.75
300089	1"-1 1/4"	30.00
300083	1 1/2"-2"	42.50

Kit Includes: Item 2

#### Retainer

Ordering Code	Size	List Price
300096	1/2"-3/4"	13.00
300088	1"-1 1/4"	14.25

Included in Check Kit‡

Kit Includes: Item 13

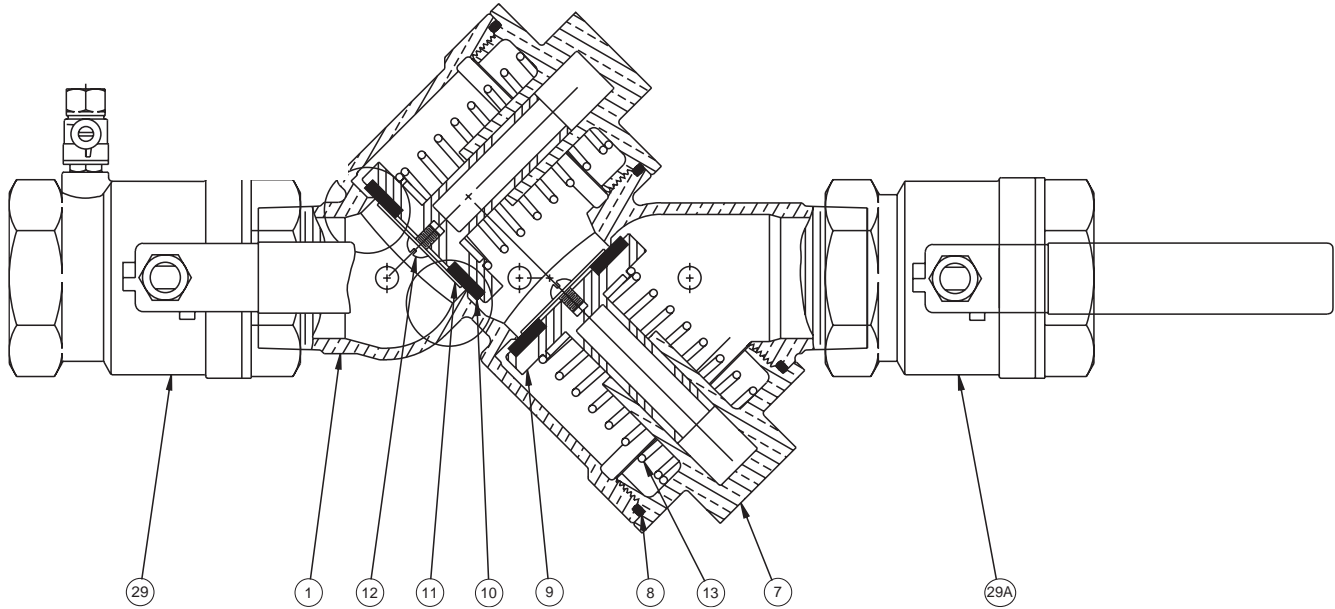
#### Check Spring

Ordering Code	Size	List Price
630108	1/2"-3/4"	13.00
630106	1"-1 1/4"	14.25
630063	1 1/2"-2"	21.50

Kit Includes: Item 14

## 805Y, 805YB, 805YS

### 3/4" - 2" Double Check Valve Assembly



	Ordering Code	Style	Size	List Price
	<b>Rubber Kit for Both Checks</b>			
LEAD FREE*	905042	Y, YB	3/4"-1 1/4"	\$ 20.50
	905053	Y, YB	1 1/2" & 2"	33.00
	905042S	YS	3/4"-1 1/4"	20.50
	905053S	YS	1 1/2" & 2"	33.00
	Kit Includes: Items 8, 10, 2 ea.			
	<b>Single Check Repair Kit</b>			
LEAD FREE*	905044	Y, YB	3/4"-1 1/4"	56.50
	905055	Y, YB	1 1/2" & 2"	84.75
	905044S	YS	3/4"-1 1/4"	59.75
	905055S	YS	1 1/2" & 2"	87.50
	Kit Includes: Valve has two checks. Items 8-12, 1 ea.			
	<b>Double Check Kit w/Springs</b>			
LEAD FREE*	905242	Y, YB	3/4"-1 1/4"	130.00
	905243	Y, YB	1 1/2" & 2"	170.00
	630115	Y, YS	3/4"-1 1/4"	13.00
	630118	Y, YS	1 1/2" & 2"	31.50
	630167	YB	3/4"-1 1/4"	13.00
			1 1/2" & 2"	N/A
	Kit Includes: Items 8-13, 2 ea.			

## 805, 835B

### Double Check Assembly

Contact FEBCO Representative for information on components for these older designs. To replace the entire assembly (recommended), use FEBCO Model 850/LF850 Double Check.

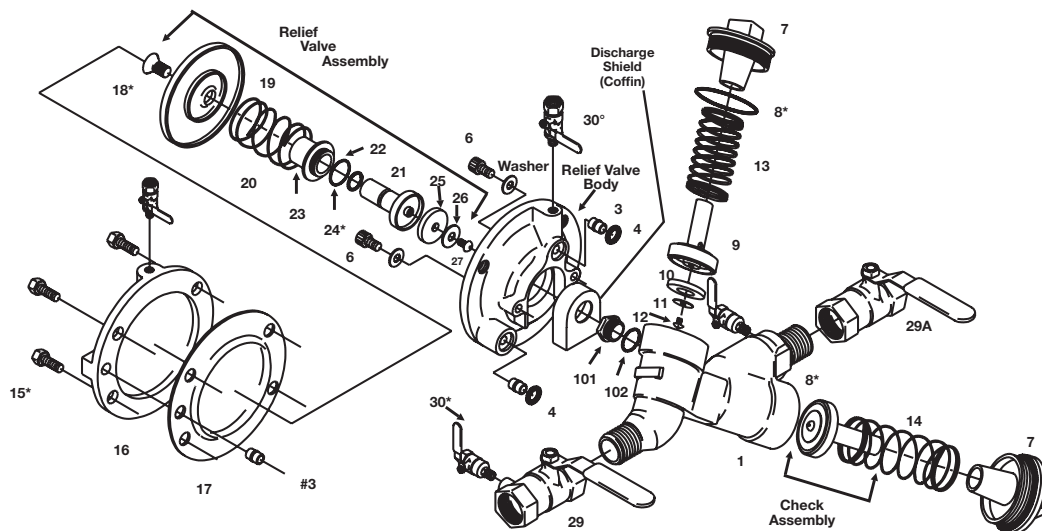
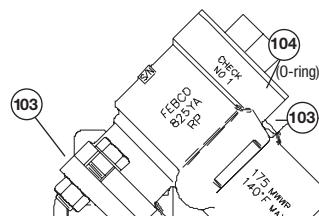
\*The wetted surface of this product contacted by consumable water contains less than 0.25% of lead by weight.

Supersedes all other price lists / Prices subject to change / Weights are estimated

†Grooved ends available on all OS&Y gate valves in some models and sizes. Expect larger lead times.

Detailed maintenance manuals can be downloaded at [www.FEBCOonline.com](http://www.FEBCOonline.com).

## 825-Y, -YS, -YA, -YR, -YAR & YAS LF825Y and LF825YA 3/4" - 2" Reduced Pressure Zone Assembly



Ordering Code	Style	Size	List Price
<b>Check Rubber Kit</b>			
905042	Y, YA, YAR	3/4"-1 1/4"	\$ 20.50
905053	Y, YA, YAR	1 1/2" & 2"	33.00
905042S	YS, YAS	3/4"-1 1/4"	20.50
905053S	YS, YAS	1 1/2" & 2"	33.00
Kit Includes: Items 8, 10, 2 ea.			
<b>Relief Valve Rubber Kit</b>			
905043	Y, YA, YAR	3/4"-1 1/4"	36.00
905054	Y, YA, YAR	1 1/2" & 2"	62.75
905043S	YS, YAS	3/4"-1 1/4"	36.00
905054S	YS, YAS	1 1/2" & 2"	62.75
<b>Complete Rubber Kit</b>			
905111	Y, YA, YAR	3/4"-1 1/4"	45.50
905112	Y, YA, YAR	1 1/2" & 2"	92.25
Kit Includes: Both checks & relief valve. Items 3, 4, 5, 8, 10, 17, 22, 24, 25, 102, 104			
<b>Single Check Kit</b>			
905044	Y, YA, YAR	3/4"-1 1/4"	56.50
905055	Y, YA, YAR	1 1/2" & 2"	84.75
905044S	YS, YAS	3/4"-1 1/4"	59.75
905055S	YS, YAS	1 1/2" & 2"	87.50
Each valve has two checks. (Items 8-12, 1 ea.)			
<b>Relief Valve Kit</b>			
905045	ALL	3/4"-1 1/4"	176.50
905056	ALL	1 1/2" & 2"	269.00
Kit Includes: Items 17-27			
<b>Check Valve Cover Kit</b>			
905616	ALL	3/4"-1"	41.50
905617	ALL	1 1/2" & 2"	92.75
<b>Relief Valve Cover Kit</b>			
905621	ALL	3/4"-1"	119.50
905622	ALL	1 1/2" & 2"	135.00

Ordering Code	Style	Size	List Price
<b>Relief Valve Seat Ring Kit</b>			
905113	Y, YA	3/4"-1 1/4"	\$ 36.00
905114	YS, YA	1 1/2" & 2"	50.25
Kit Includes: Items 101, 102. (N/A for 1 1/2" size)			
<b>Relief Valve Seat Ring Kit</b>			
905417	Y, YA	3/4"-1"	53.00
905418	YS, YA	1 1/2" & 2"	73.75
Kit Includes: Items 101, 102. (N/A for 1 1/4" size)			
<b>Check Valve Seat Ring</b>			
905280	YR, YAR	3/4"-1 1/4"	28.50
905281	Y, YA†	1 1/2" & 2"	33.00
Kit Includes: Items Seat Ring & O-ring			
<b>Check Valve Seat Ring</b>			
905419	YR, YAR	3/4"-1 1/4"	51.25
905420	Y, YA†	1 1/2" & 2"	70.75
Kit Includes: Items Seat Ring & O-ring			
<b>#1 Check Springs (inlet)</b>			
630125	ALL	3/4"-1 1/4"	25.25
630137	ALL	1 1/2" & 2"	45.50
<b>#2 Check Springs (outlet)</b>			
630115	ALL	3/4"-1 1/4"	13.00
630118	ALL	1 1/2" & 2"	31.50

†825Y & YA with "J" prefix serial numbers only (not available for 1 1/4" size)

## 825YA, YAR, YAS Elbow Parts

Ordering Code	Part	Size	List Price
<b>YA Elbow Parts</b>			
101194	103 Elbow	3/4"	\$ 44.00
101195	103 Elbow	1"	50.25
101189	103 Elbow	1 1/2"	62.75
101190	103 Elbow	2"	72.25
<b>YA Elbow Parts</b>			
39822372	104 O-ring	3/4"-1"	8.25
39823072	104 O-ring	1 1/2"-2"	11.25
Kit Includes: Items 103, 104			

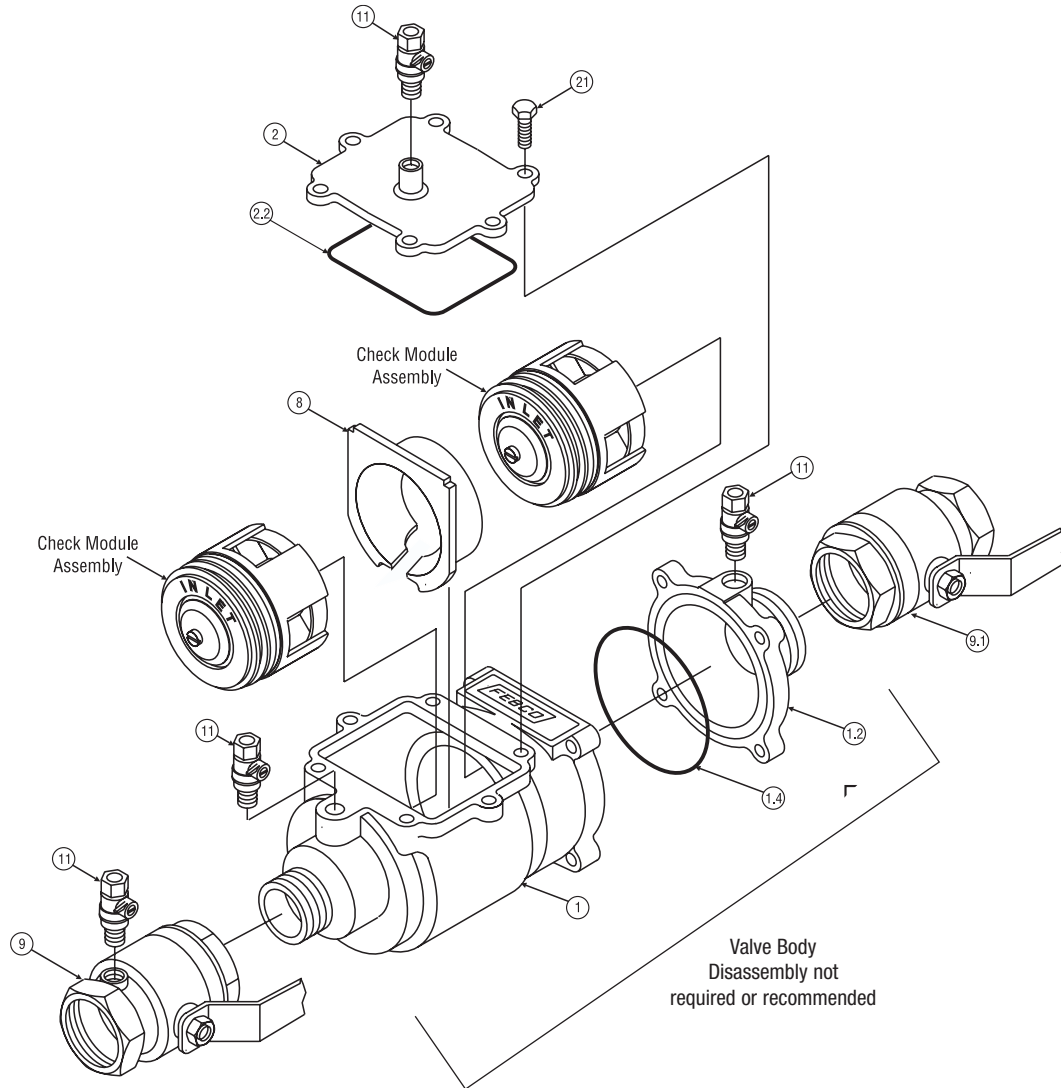
\*The wetted surface of this product contacted by consumable water contains less than 0.25% of lead by weight.

Supersedes all other price lists / Prices subject to change / Weights are estimated

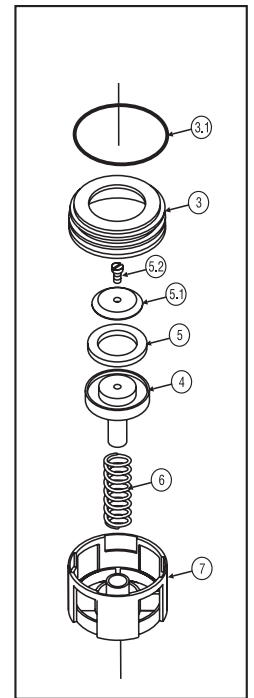
†Grooved ends available on all OS&Y gate valves in some models and sizes. Expect larger lead times.

## 850, LF850, 850U, LF850U, 850B

### 1/2" - 2" Double Check Valve Assembly



**Models**  
**850/LF850**  
**& 860/LF860**  
**Check Module**  
**Assembly:**



Ordering Code	Style	Size	List Price
---------------	-------	------	------------

#### Check Rubber Kit

LEAD FREE 905342	ALL	1/2" & 3/4"	\$ 11.25
905343	ALL	1"	13.00
905344	ALL	1 1/4"-2"	23.75

For both checks. Kit Includes: Items 1.4, 2.2 & 2 ea. of Items 3.1 & 5

#### Single Check Kit†

LEAD FREE 905347	850	1/2" & 3/4"	31.50
905349	850	1"	36.00
905351	850	1 1/4"-2"	37.75

Valve has two checks. Kit Includes: Items 3 - 7

#### Single Poppet Kit

LEAD FREE 905339	ALL	1/2" & 3/4"	13.00
905340	ALL	1"	14.25
905341	ALL	1 1/4"-2"	19.00

Valve has two poppets. Kit Includes: Items 4 - 5.2

Ordering Code	Style	Size	List Price
---------------	-------	------	------------

#### COVER Kit

LEAD FREE 905618	ALL	1/2" & 3/4"	\$ 28.75
905619	ALL	1"	35.00
905620	ALL	1 1/4"-2"	66.25

Kit Includes: Items 2 and 2.2

†May use this kit for 850B with exception of spring (item #6). Contact factory service center for price and availability on 850B spring.

\*The wetted surface of this product contacted by consumable water contains less than 0.25% of lead by weight.

Supersedes all other price lists / Prices subject to change / Weights are estimated

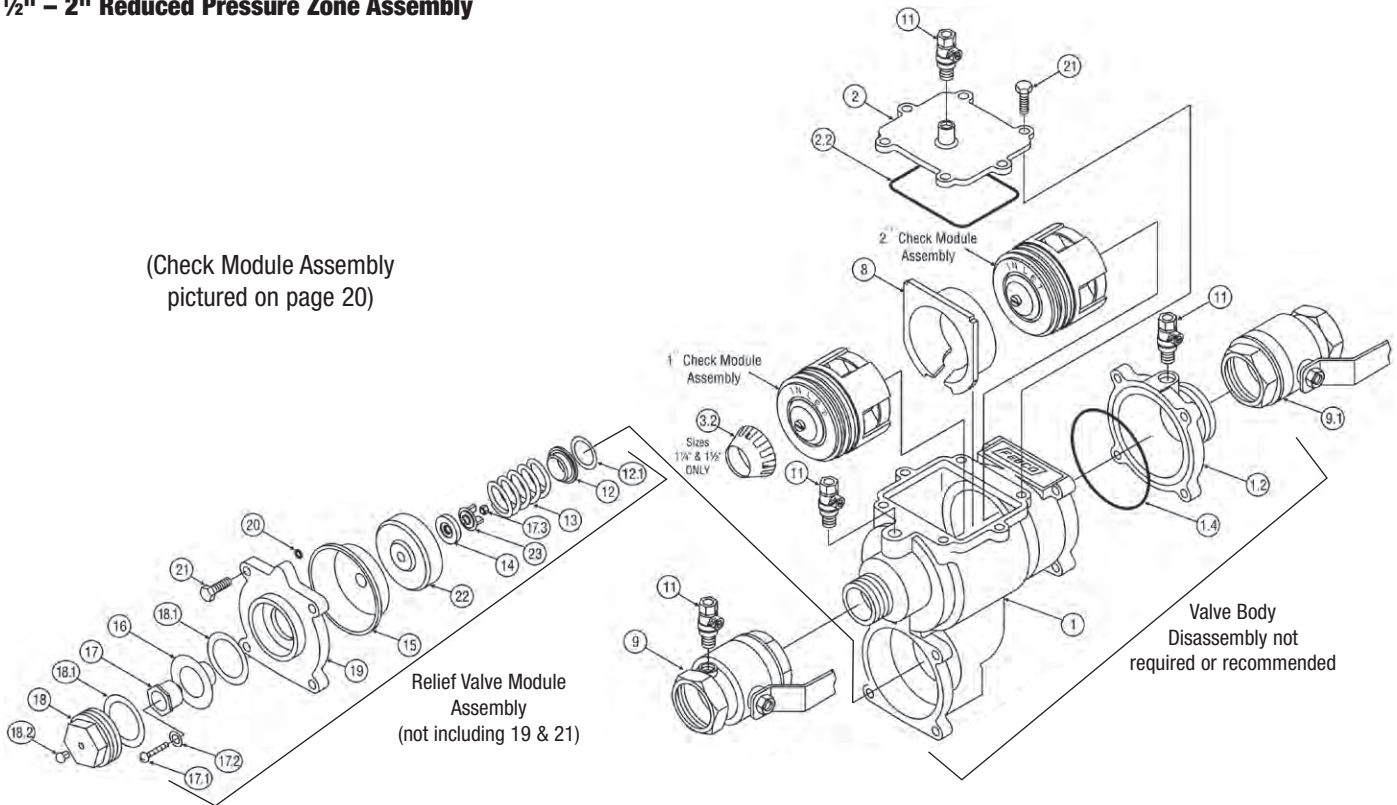
†Grooved ends available on all OS&Y gate valves in some models and sizes. Expect larger lead times.

Detailed maintenance manuals can be downloaded at [www.FEBCOonline.com](http://www.FEBCOonline.com).



## 860, LF860, 860U, LF860U, 880, 880U 1/2" - 2" Reduced Pressure Zone Assembly

(Check Module Assembly  
pictured on page 20)



Ordering Code	Style	Size	List Price
---------------	-------	------	------------

### Complete Rubber Kit

LEAD FREE 905355	ALL	1/2" & 3/4"	\$ 36.00
905356	ALL	1"	37.75
905357	ALL	1 1/4"-2"	55.00

Kit Includes: All rubber parts

### Check Module Rubber Kit

LEAD FREE 905342	ALL	1/2" & 3/4"	11.25
905343	ALL	1"	13.00
905344	ALL	1 1/4"-2"	23.75

Both checks. Kit Includes: Item 2.2 & 2 ea. of items 3.1 & 5

### Relief Valve Rubber Kit

LEAD FREE 905345	ALL	1/2" & 3/4"	27.00
905345	ALL	1"	27.00
905346	ALL	1 1/4"-2"	37.75

Kit Includes: Items 12, 12.1, 14 - 16, 18.1 (2 ea) & 20

### Single Poppet Kit

LEAD FREE 905339	ALL	1/2" & 3/4"	13.00
905340	ALL	1"	14.25
905341	ALL	1 1/4"-2"	19.00

Valve has two poppets. Kit Includes: Items 4 thru 5.2

Ordering Code	Style	Size	List Price
---------------	-------	------	------------

### #1 Check Module Kit (inlet)

LEAD FREE 905348	ALL	1/2" & 3/4"	\$ 33.00
905350	ALL	1"	37.75
905352	ALL	1 1/4"-2"	37.75

Kit Includes: Items 3 - 7 for inlet check

### #2 Check Module Kit (outlet)

LEAD FREE 905347	ALL	1/2" & 3/4"	31.50
905349	ALL	1"	36.00
905351	ALL	1 1/4"-2"	37.75

Kit Includes: Items 3 - 7 for outlet check

### Full Relief Valve Module Kit

LEAD FREE 905421	ALL	1/2" & 3/4"	415.00
905421	ALL	1"	415.00
905422	ALL	1 1/4"-2"	525.00

Kit Includes: 1 ea of Items 12 - 17.3, 20, 22 & 23 & 2 ea. of 18.1

### Cover Kit

LEAD FREE 905618	ALL	1/2" & 3/4"	28.75
905619	ALL	1"	35.00
905620	ALL	1 1/4"-2"	66.25

Kit Includes: Items 2 and 2.2

\*The wetted surface of this product contacted by consumable water contains less than 0.25% of lead by weight.

Supersedes all other price lists / Prices subject to change / Weights are estimated

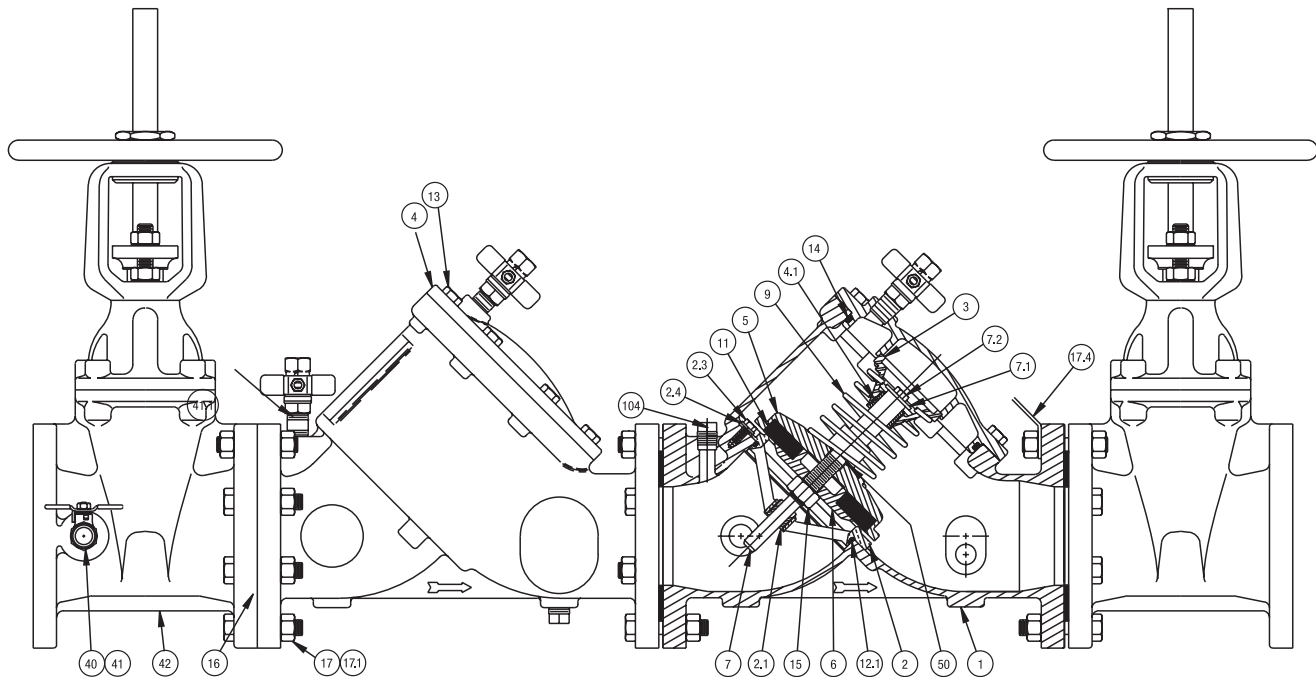
<sup>1</sup>Grooved ends available on all OS&Y gate valves in some models and sizes. Expect larger lead times.

Detailed maintenance manuals can be downloaded at [www.FEBCOonline.com](http://www.FEBCOonline.com).



## 805, 805D, 805YD, 806YD

### 2 1/2" – 10" Double Check / Double Check Detector Assemblies



Ordering Code	Style	Size	List Price
---------------	-------	------	------------

#### Rubber Parts

905059	805, 805D, 805YD, 806YD	2 1/2"	\$ 42.50
905060	805, 805D, 805YD, 806YD	3"	62.75
905061	805, 805D, 805YD, 806YD	4"	95.50
905062	805, 805D, 805YD, 806YD	6"	136.00
905063	805, 805D, 805YD, 806YD	8"	186.00
905064	805, 805D, 805YD, 806YD	10"	218.50

Kit Includes: Items 11, 14, 50

#### Single Check Assembly

905086	805YD	2 1/2"	619.50
905088	805YD	3"	658.00
902467	805YD	4"	882.00
902469	805YD	6"	1,412.00
902471	805YD	8"	2,397.00
902473	805YD	10"	3,909.00
—	806YD	2 1/2"	N/A
902514	806YD	4"	965.00
902515	806YD	6"	1,538.00
902516	806YD	8"	2,612.00
902517	806YD	10"	4,299.00

Kit Includes: Items 3, 4.1, 5, 6, 7, 7.1, 7.2, 9, 11, 15, 50

Ordering Code	Style	Size	List Price
---------------	-------	------	------------

#### Seat Kit

902386YD	805YD, 806YD	2 1/2"	\$ 301.50
902385YD	805YD, 806YD	3"	335.50
902384YD	805YD, 806YD	4"	496.50
902383YD	805YD, 806YD	6"	665.00
902382YD	805YD, 806YD	8"	1,067.00
902381YD	805YD, 806YD	10"	1,328.00

Kit Includes: Items 2, 2.1 & 12.1

#### Gate Mounting Kit

905036	805, 805D, 805YD, 806Y	2 1/2"	114.50
905037	805, 805D, 805YD, 806Y	3"	129.00
905038	805, 805D, 805YD, 806Y	4"	239.00
905039	805, 805D, 805YD, 806Y	6"	271.50
905040	805, 805D, 805YD, 806Y	8"	281.00
905041	805, 805D, 805YD, 806Y	10"	457.50

Kit Includes: Both ends. Items 16, 17, 17.1

#### Cover Assembly

902497	805YD, 806YD	2 1/2"	331.00
902498	805YD, 806YD	3"	367.00
902499	805YD, 806YD	4"	432.50
902500	805YD, 806YD	6"	557.50
902501	805YD, 806YD	8"	1,313.00
902502	805YD, 806YD	10"	1,313.00

Kit Includes: Items 4, 4.1, 14 & Aircocock (not shown)

#### Bypass Kit w/o Meter

905138	806YD	2 1/2"	963.50
905138	806YD	3"	963.50
905138	806YD	4"	963.50
905138	806YD	6"	963.50
905138	806YD	8"	963.50
905138	806YD	10"	963.50

## 805, 805D

### Double Check Valve Assemblies

Contact FEBCO Representative for information on unlisted components for these older designs.

To replace the entire assembly (recommended) use FEBCO Model LF850 Double Check Assembly with Spool Adapter.

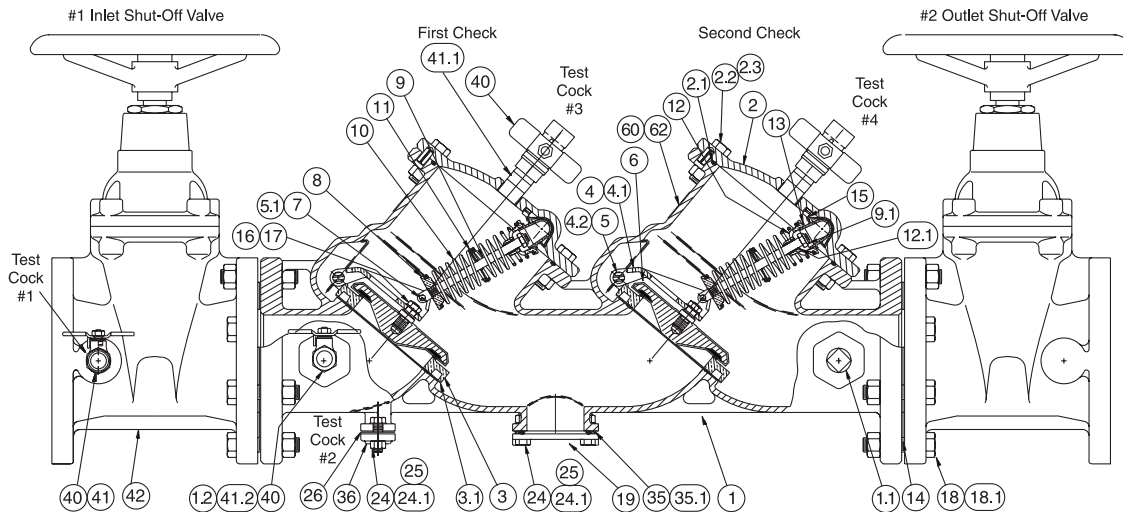
Supersedes all other price lists / Prices subject to change / Weights are estimated

<sup>1</sup>Grooved ends available on all OS&Y gate valves in some models and sizes. Expect larger lead times.

Detailed maintenance manuals can be downloaded at [www.FEBCOonline.com](http://www.FEBCOonline.com).

## 850, 856

### 2 1/2" - 10" Double Check / Double Check Detector Assemblies



Ordering Code	Style	Size	List Price
---------------	-------	------	------------

#### Disc Assembly

905182	ALL	2 1/2" & 3"	\$ 127.00
905153	ALL	4"	127.00
905154	ALL	6"	158.50
905155	ALL	8" & 10"	295.50

Kit Includes: Items 6, 16, 17

#### Spring Module

905142	850	2 1/2" & 3"	124.00
905143	850	4"	136.00
905144	850	6"	164.00
905145	850	8" & 10"	186.00
905147	856	2 1/2" & 3"	127.00
905148	856	4"	141.00
905149	856	6"	173.50
905150	856	8" & 10"	191.00

Kit Includes: Items 5.1, 7, 8, 9, 9.1, 10, 11, 12, 12.1

#### Check Replacement Kit

905527	850	2 1/2" & 3"	583.50
905534	850	4"	658.00
905537	850	6"	861.00
905539	850	8" & 10"	1,099.00
905529	856	2 1/2" & 3"	586.50
905536	856	4"	663.50
905538	856	6"	872.50
905541	856	8" & 10"	1,191.00

Kit Includes: Items 2.1, and 3 - 17

#### Seat Ring / Arm Assembly

905157	ALL	2 1/2" & 3"	206.50
905158	ALL	4"	216.00
905159	ALL	6"	311.00
905160	ALL	8" & 10"	340.50

Kit Includes: Items 3, 3.1, 3.2, 3.4, 4, 4.1, 4.2, 5

Ordering Code	Style	Size	List Price
---------------	-------	------	------------

#### Rubber Parts Kit

905249	ALL	2 1/2" & 3"	\$ 245.50
905163	ALL	4"	245.50
905164	ALL	6"	339.00
905165	ALL	8" & 10"	736.50

Kit Includes: Items 2.1, 3.1, 6, 15, 26, 35, 35.1, 45, 45.1

#### Cover Assembly

905167	With Bulkhead Fitting	2 1/2" & 3"	206.50
905168	With Bulkhead Fitting	4"	234.50
905169	With Bulkhead Fitting	6"	271.50
905170	With Bulkhead Fitting	8" & 10"	311.00
905376	Tapped	2 1/2" & 3"	206.50
905377	Tapped	4"	234.50
905378	Tapped	6"	271.50

Kit Includes: Items 2, 2.1, 15

#### Bulkhead Fitting for Cover†

905275	850	2 1/2", 3", 4"	27.00
905277	850	6", 8" & 10"	36.00
905277	856	2 1/2"-10"	36.00

Kit Includes: Items 43.1, 45.1, 46.1, 47.1

#### Bulkhead Fitting for Body†

905276	850	2 1/2", 3", 4"	33.00
905277	850	6", 8" & 10"	36.00
905277	856	2 1/2"-10"	36.00

Kit Includes: Items 43, 45, 46, 47

†Bulkhead fittings are not furnished on late models. Very early productions of Model 856 may require a different bulkhead fitting. Consult your FEBCO representative for assistance.

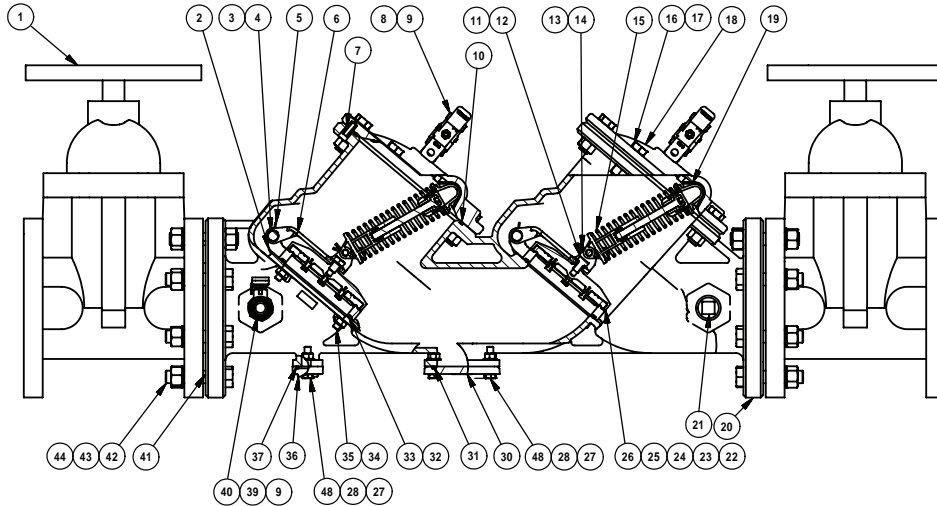
Supersedes all other price lists / Prices subject to change / Weights are estimated

†Grooved ends available on all OS&Y gate valves in some models and sizes. Expect larger lead times.

Detailed maintenance manuals can be downloaded at [www.FEBCOonline.com](http://www.FEBCOonline.com).

## LF850, 856ST, LF856

### 2 1/2" – 10" Double Check / Double Check Detector Assemblies



Ordering Code	Style	Size	List Price
---------------	-------	------	------------

#### Disc Assembly

LEAD FREE 905466	ALL	2 1/2" & 3"	\$ 147.50
905467	ALL	4"	154.50
905468	ALL	6"	203.00
905469	ALL	8" & 10"	378.00

Kit Includes: Items 11, 12, 22, 23, 24, 25, 26

#### Total Rubber Kit

LEAD FREE 905490	ALL	2 1/2" & 3"	84.00
905491	ALL	4"	91.50
905492	ALL	6"	105.50
905493	ALL	8" & 10"	175.50

Kit Includes: Items 10, 25, 31, 32, 33, 37

#### Spring Module

LEAD FREE 905470	850 (1st & 2nd) 856ST, LF856 (1st)	2 1/2" & 3"	63.25
905471	850 (1st & 2nd) 856ST, LF856 (1st)	4"	81.50
905472	850 (1st & 2nd) 856ST, LF856 (1st)	6"	132.00
905473	850 (1st & 2nd) 856ST, LF856 (1st)	8" & 10"	147.50
LEAD FREE 905474	856ST (2nd)	2 1/2" & 3"	92.75
905475	856ST (2nd)	4"	106.50
905476	856ST (2nd)	6"	160.00
905477	856ST (2nd)	8" & 10"	155.50
LEAD FREE 905608	LF856 (2nd)	2 1/2" & 3"	90.00
905609	LF856 (2nd)	4"	104.00
905610	LF856 (2nd)	6"	156.00
905611	LF856 (2nd)	8" & 10"	152.00

Kit Includes: Items 15

#### Seat Ring / Arm Assembly

LEAD FREE 905486	ALL	2 1/2" & 3"	266.00
905487	ALL	4"	276.00
905488	ALL	6"	393.50
905489	ALL	8" & 10"	392.00

Kit Includes: Items 2, 3, 4, 5, 6, 32, 33, 34, 35

Ordering Code	Style	Size	List Price
---------------	-------	------	------------

#### Check Replacement Kit

LEAD FREE 905478	850 (1st & 2nd) 856ST, LF856 (1st)	2 1/2" & 3"	\$ 531.50
905479	850 (1st & 2nd) 856ST, LF856 (1st)	4"	670.00
905480	850 (1st & 2nd) 856ST, LF856 (1st)	6"	974.50
905481	850 (1st & 2nd) 856ST, LF856 (1st)	8" & 10"	1,422.00
LEAD FREE 905482	856ST (2nd)	2 1/2" & 3"	582.00
905483	856ST (2nd)	4"	702.50
905484	856ST (2nd)	6"	1,021.00
905485	856ST (2nd)	8" & 10"	1,529.00
LEAD FREE 905612	LF856 (2nd)	2 1/2" & 3"	567.00
905613	LF856 (2nd)	4"	685.00
905614	LF856 (2nd)	6"	995.50
905615	LF856 (2nd)	8" & 10"	1,491.00

Kit Includes: Items 2, 3, 4, 5, 6, 10, 11, 12, 15, 22, 23, 24, 25, 26, 32, 33, 34, 35

#### Cover Assembly

LEAD FREE 905376	ALL	2 1/2" & 3"	206.50
905377	ALL	4"	234.50
905378	ALL	6"	271.50

Kit Includes: Items 7, 10, 18, 19

\*The wetted surface of this product contacted by consumable water contains less than 0.25% of lead by weight.

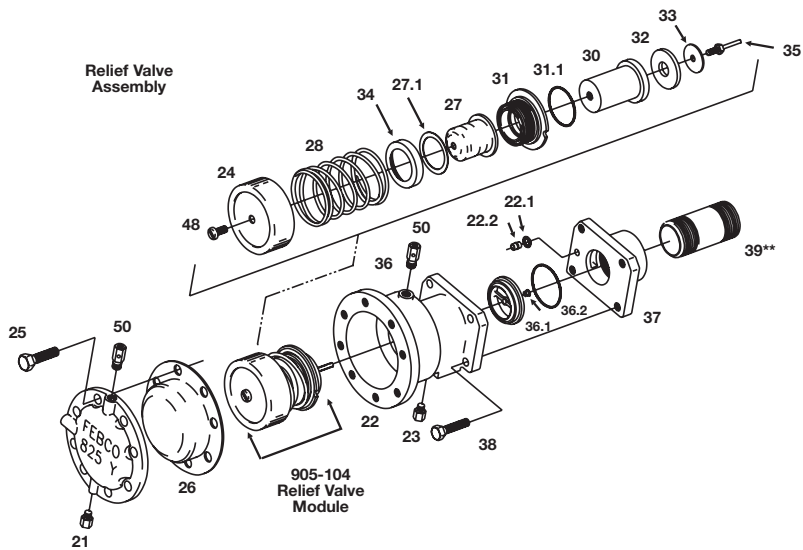
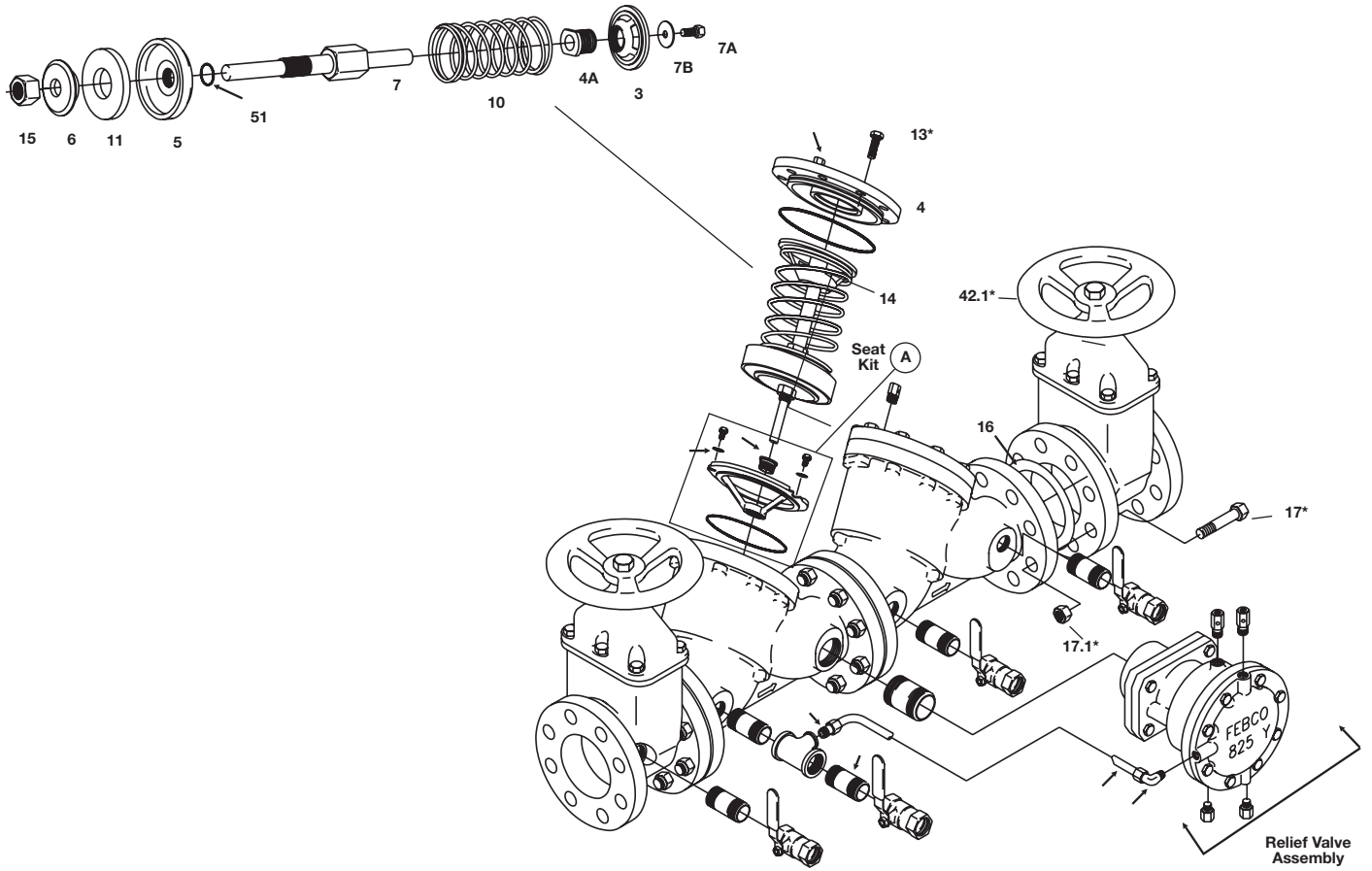
Supersedes all other price lists / Prices subject to change / Weights are estimated

<sup>1</sup>Grooved ends available on all OS&Y gate valves in some models and sizes. Expect larger lead times.

Detailed maintenance manuals can be downloaded at [www.FEBCOonline.com](http://www.FEBCOonline.com).

## 825, 825D, 825YD, 826YD

2½" - 10" Reduced Pressure / Reduced Pressure Detector Assemblies



## 825, 825D, 825YD, 826YD

### 2 1/2" – 10" Reduced Pressure / Reduced Pressure Detector Assemblies

Ordering Code	Style	Size	List Price
<b>Check Rubber Parts</b>			
905059	ALL	2 1/2"	\$ 42.50
905060	ALL	3"	62.75
905061	ALL	4"	95.50
905062	ALL	6"	136.00
905063	ALL	8"	186.00
905064	ALL	10"	218.50

Kit Includes: Items 11, 14, 51

Ordering Code	Style	Size	List Price
<b>Check #1 (inlet) Check Assembly</b>			
905085	825YD	2 1/2"	674.50
905087	825YD	3"	757.00
902466	825YD	4"	1,054.00
902468	825YD	6"	1,887.00
902470	825YD	8"	2,365.00
902472	825YD	10"	4,735.00
—	826YD	2 1/2"	N/A
—	826YD	3"	N/A
902623	826YD	4"	1,138.00
902624	826YD	6"	2,084.00
902625	826YD	8"	2,636.00
902626	826YD	10"	5,050.00

Kit Includes: Items 3,4A,5,6,7,7A,7B,10,11,15,51

Ordering Code	Style	Size	List Price
<b>Check #2 (outlet) Check Assembly</b>			
905086	825YD	2 1/2"	619.50
905088	825YD	3"	658.00
902467	825YD	4"	882.00
902469	825YD	6"	1,412.00
902471	825YD	8"	2,397.00
902473	825YD	10"	3,909.00
—	826YD	2 1/2"	N/A
—	826YD	3"	N/A
902514	826YD	4"	965.00
902515	826YD	6"	1,538.00
902516	826YD	8"	2,612.00
902517	826YD	10"	4,299.00

Kit Includes: Items 3,4A,5,6,7,7A,7B,10,11,15,51

Ordering Code	Style	Size	List Price
<b>Seat Kit</b>			
902386YD	825YD, 826YD	2 1/2"	301.50
902385YD	825YD, 826YD	3"	335.50
902384YD	825YD, 826YD	4"	496.50
902383YD	825YD, 826YD	6"	665.00
902382YD	825YD, 826YD	8"	1,067.00
902381YD	825YD, 826YD	10"	1,328.00

Kit Includes: Items A

Ordering Code	Style	Size	List Price
<b>Gate Mounting Kit (both ends)</b>			
905036	ALL	2 1/2"	\$ 114.50
905037	ALL	3"	129.00
905038	ALL	4"	239.00
905039	ALL	6"	271.50
905040	ALL	8"	281.00
905041	ALL	10"	457.50

Kit Includes: Items 16, 17, 17.1

Ordering Code	Style	Size	List Price
<b>Relief Valve Conversion Kit</b>			
905100	825	3"	1,647.00
905101	825	4", 6"	1,695.00
905522	825	8", 10"	1,820.00
905100	825D	2 1/2"-4"	1,647.00
905101	825D	6"	1,695.00
905522	825D	8", 10"	1,820.00

Kit Includes: Convert 825, 825D. Relief Valve to 825YD design

Ordering Code	Style	Size	List Price
<b>Relief Valve Assembly</b>			
905100	825YD, 826YD	2 1/2"-4"	1,647.00
905101	825YD, 826YD	6"-10"	1,695.00

Kit Includes: Items 21 thru 50

Ordering Code	Style	Size	List Price
<b>Relief Valve Rubber Kit</b>			
905102	825YD, 826YD	2 1/2"-10"	186.00

Kit Includes: Items 26, 27, 27A, 31A, 32

Ordering Code	Style	Size	List Price
<b>Relief Valve Seat Ring Kit</b>			
905103	825YD, 826YD	2 1/2"-10"	242.50

Kit Includes: Items 22A, 22B, 36, 36A, 36B

Ordering Code	Style	Size	List Price
<b>Relief Valve Module Kit</b>			
905104	825YD, 826YD	2 1/2"-10"	1,056.00

Kit Includes: Items 905-104

Ordering Code	Style	Size	List Price
<b>Cover Assembly</b>			
902497	825YD, 826YD	2 1/2"	331.00
902498	825YD, 826YD	3"	367.00
902499	825YD, 826YD	4"	432.50
902500	825YD, 826YD	6"	557.50
902501	825YD, 826YD	8"	1,313.00
902502	825YD, 826YD	10"	1,313.00

Kit Includes: Items 4, 4.1, 14 & Aircock (not shown)

## 825, 825D

### Reduced Pressure Zone Assembly

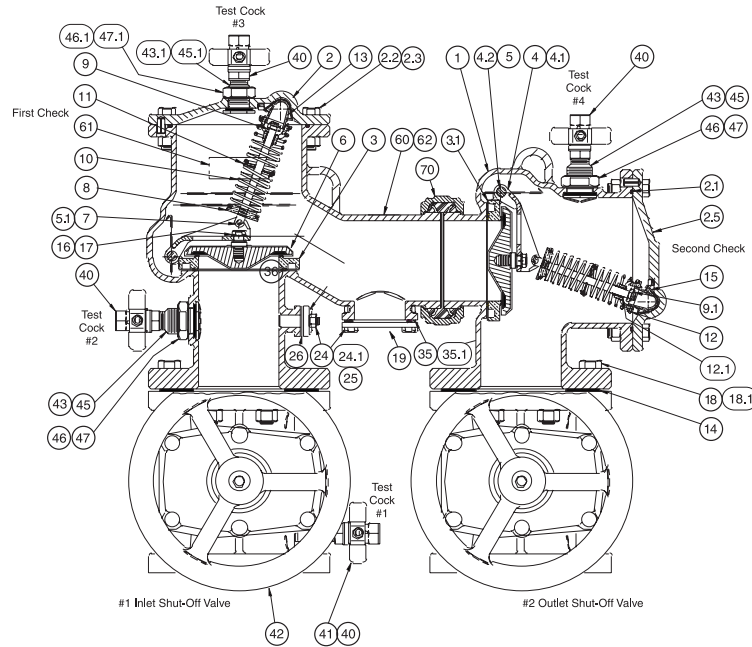
Contact FEBCO Representative for information on unlisted components for these older designs. To replace the entire assembly (recommended) use FEBCO Model LF860 Reduced Pressure Assembly and Spool Kit.

Supersedes all other price lists / Prices subject to change / Weights are estimated

<sup>1</sup>Grooved ends available on all OS&Y gate valves in some models and sizes. Expect larger lead times.

Detailed maintenance manuals can be downloaded at [www.FEBCOonline.com](http://www.FEBCOonline.com).

## 870, 870V / 876, 876V 2½" – 10" Double Check / Double Check Detector Assemblies



Ordering Code	Style	Size	List Price
<b>Disc Assembly</b>			
905152	ALL	2 1/2" & 3"	\$ 127.00
905153	ALL	4"	127.00
905154	ALL	6"	158.50
905155	ALL	8"	295.50
400145	ALL	10"	304.50

Kit Includes: Items 6, 16, 17 (10", Item 6 only)

Ordering Code	Style	Size	List Price
<b>Spring Module</b>			
905142	870, 870V	2 1/2" & 3"	124.00
905143	870, 870V	4"	136.00
905144	870, 870V	6"	164.00
905145	870, 870V	8"	186.00
905146	870, 870V	10"	552.50
905147	876, 876V	2 1/2" & 3"	127.00
905148	876, 876V	4"	141.00
905149	876, 876V	6"	173.50
905150	876, 876V	8"	191.00
905151	876, 876V	10"	552.50

Kit Includes: Items 5.1, 7, 8, 9, 9.1, 10, 11, 12, 12.1

Ordering Code	Style	Size	List Price
<b>Check Replacement Kit</b>			
905528	870, 870V	2 1/2" & 3"	680.00
905534	870, 870V	4"	658.00
905537	870, 870V	6"	861.00
905539	870, 870V	8"	1,099.00
905540	870, 870V	10"	1,856.00
905530	876, 876V	2 1/2" & 3"	688.00
905536	876, 876V	4"	663.50
905538	876, 876V	6"	872.50
905541	876, 876V	8"	1,191.00
—	876, 876V	10"	N/A

Kit Includes: Items 2.1, and 3 - 17

Ordering Code	Style	Size	List Price
<b>Seat Ring / Arm Assembly</b>			
905157	ALL	2 1/2" & 3"	206.50
905158	ALL	4"	216.00
905159	ALL	6"	311.00
905160	ALL	8"	340.50
905161	ALL	10"	363.50

Kit Includes: Items 3, 3.1, 3.2, 3.4, 4, 4.1, 4.2, 5

Ordering Code	Style	Size	List Price
<b>Rubber Parts Kit</b>			
905162	ALL	2 1/2" & 3"	\$ 245.50
905163	ALL	4"	245.50
905164	ALL	6"	339.00
905165	ALL	8"	736.50
905166	ALL	10"	778.50

Kit Includes: Items 2.1, 3.1, 6, 15, 26, 35, 35.1, 45, 45.1

Ordering Code	Style	Size	List Price
<b>Cover Assembly (Inlet Check)<sup>†</sup></b>			
905167	ALL	2 1/2" & 3"	206.50
905168	ALL	4"	234.50
905169	ALL	6"	271.50
905170	ALL	8"	311.00
905171	ALL	10"	322.00

Kit Includes: Items 2, 2.1, 15

Ordering Code	Style	Size	List Price
<b>Cover Assembly (Outlet Check)<sup>†</sup></b>			
905244	ALL	2 1/2" & 3"	206.50
905245	ALL	4"	234.50
905246	ALL	6"	271.50
905247	ALL	8", 10"	311.00

Kit Includes: Items 2, 2.1, 15

Ordering Code	Style	Size	List Price
<b>Bulkhead Fitting For Cover<sup>†</sup></b>			
905275	870, 870V	2 1/2", 3", 4"	27.00
905277	870, 870V	6", 8", 10"	36.00
905275	876, 876V	2 1/2", 3", 4"	27.00
905277	876, 876V	6", 8", 10"	36.00

Kit Includes: Items 43.1, 45.1, 46.1, 47.1

Ordering Code	Style	Size	List Price
<b>Bulkhead Fitting For Body<sup>†</sup></b>			
905276	870, 870V	2 1/2", 3", 4"	33.00
905277	870, 870V	6", 8", 10"	36.00
905275	876, 876V	2 1/2"-10"	27.00

Kit Includes: Items 43, 45, 46, 47

<sup>†</sup> Bulkhead fittings are not furnished on late models. Very early productions may require a different bulkhead fitting. Consult your FEBCO representative for assistance.

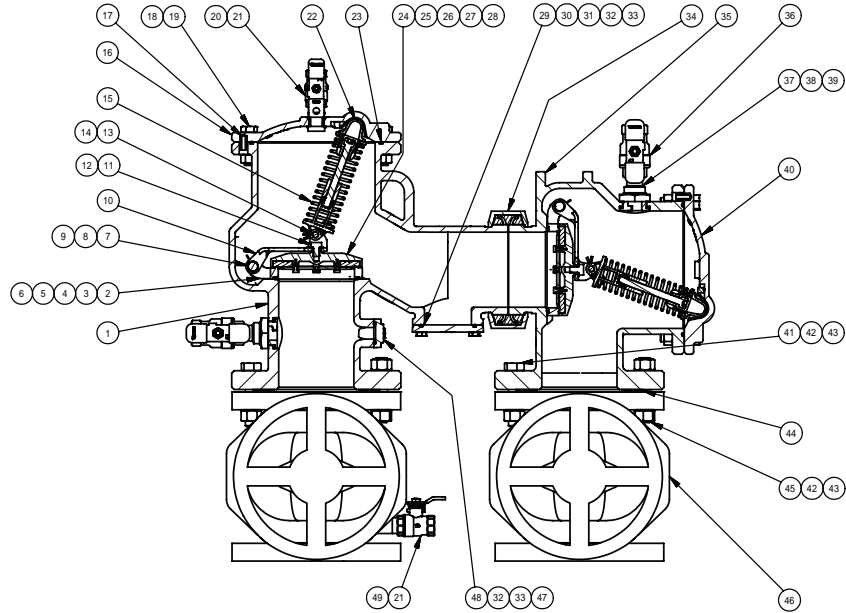
Supersedes all other price lists / Prices subject to change / Weights are estimated

<sup>1</sup>Grooved ends available on all OS&Y gate valves in some models and sizes. Expect larger lead times.

Detailed maintenance manuals can be downloaded at [www.FEBCOonline.com](http://www.FEBCOonline.com).



## LF870V, 876VST, LF876V 2 1/2" - 10" Double Check / Double Check Detector Assemblies



Ordering Code	Style	Size	List Price
<b>Disc Assembly</b>			
905466	ALL	2 1/2" & 3"	\$ 147.50
905467	ALL	4"	154.50
905468	ALL	6"	203.00
905469	ALL	8"	378.00
400145	ALL	10"	304.50

Kit Includes: Items 11, 12, 23, 24, 25, 26, 27, 28

Ordering Code	Style	Size	List Price
<b>Check Rubber Kit</b>			
905490	ALL	2 1/2" & 3"	84.00
905491	ALL	4"	91.50
905492	ALL	6"	105.50
905493	ALL	8"	175.50

Kit Includes: Items 3, 4, 23 and 25 Disk, Cover O-Ring, Port cover o-rings

Ordering Code	Style	Size	List Price
<b>Spring Module</b>			
905470	870 (1st & 2nd) 876ST, LF876 (1st)	2 1/2" & 3"	63.25
905471	870 (1st & 2nd) 876ST, LF876 (1st)	4"	81.50
905472	870 (1st & 2nd) 876ST, LF876 (1st)	6"	132.00
905473	870 (1st & 2nd) 876ST, LF876 (1st)	8"	147.50
905474	876ST (2nd)	2 1/2" & 3"	92.75
905475	876ST (2nd)	4"	106.50
905476	876ST (2nd)	6"	160.00
905477	876ST (2nd)	8"	155.50
905608	LF876 (2nd)	2 1/2" & 3"	90.00
905609	LF876 (2nd)	4"	104.00
905610	LF876 (2nd)	6"	156.00
905611	LF876 (2nd)	8"	152.00

Kit Includes: Item 15

Ordering Code	Style	Size	List Price
<b>Seat Ring / Arm Assembly</b>			
905486	ALL	2 1/2" & 3"	266.00
905487	ALL	4"	276.00
905488	ALL	6"	393.50
905489	ALL	8"	392.00

Kit Includes: Items 2, 3, 4, 5, 6, 7, 8, 9, 10

Ordering Code	Style	Size	List Price
<b>Check Replacement Kit</b>			
905478	870 (1st & 2nd) 876ST, LF876 (1st)	2 1/2" & 3"	\$ 531.50
905479	870 (1st & 2nd) 876ST, LF876 (1st)	4"	670.00
905480	870 (1st & 2nd) 876ST, LF876 (1st)	6"	974.50
905481	870 (1st & 2nd) 876ST, LF876 (1st)	8"	1,422.00
905482	876ST (2nd)	2 1/2" & 3"	582.00
905483	876ST (2nd)	4"	702.50
905484	876ST (2nd)	6"	1,021.00
905485	876ST (2nd)	8"	1,529.00
905612	LF876 (2nd)	2 1/2" & 3"	567.00
905613	LF876 (2nd)	4"	685.00
905614	LF876 (2nd)	6"	995.50
905615	LF876 (2nd)	8"	1,491.00

Kit Includes: Items 2 thru 12, 15, 23 thru 28  
Cover O-Rings on all Check Kits

Ordering Code	Style	Size	List Price
<b>Cover Assembly (Inlet Check LF870V, 876VST) (Outlet Check LF876V)</b>			
905167	ALL	2 1/2" & 3"	206.50
905168	ALL	4"	234.50
905169	ALL	6"	271.50
905170	ALL	8"	311.00
905171	ALL	10"	322.00

Kit Includes: Items 16, 17, 22, 23

Ordering Code	Style	Size	List Price
<b>Cover Assembly (Outlet Check LF870V)</b>			
905244	ALL	2 1/2" & 3"	206.50
905245	ALL	4"	234.50
905246	ALL	6"	271.50
905247	ALL	8"	311.00
905248	ALL	10"	314.00

Kit Includes: Items 17, 22, 23, 40

Ordering Code	Style	Size	List Price
<b>Bulkhead Fitting for Inlet Cover</b>			
905275	ALL	2 1/2", 3", 4"	27.00
905277	ALL	6", 8", 10"	36.00

Kit Includes: Items 20

Ordering Code	Style	Size	List Price
<b>Bulkhead Fitting for Body</b>			
905276	870V	2 1/2", 3", 4"	33.00
905277	870V	6", 8", 10"	36.00
905277	876V	2 1/2"-10"	36.00

Kit Includes: Items 37, 38, 39

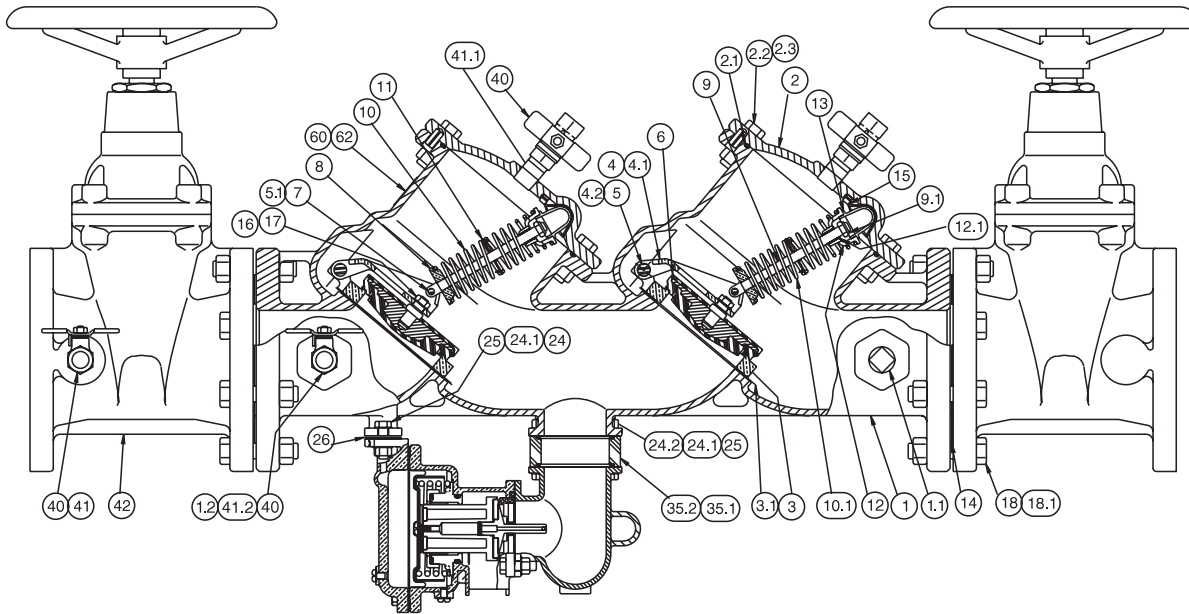
\*The wetted surface of this product contacted by consumable water contains less than 0.25% of lead by weight.

Supersedes all other price lists / Prices subject to change / Weights are estimated

<sup>1</sup>Grooved ends available on all OS&Y gate valves in some models and sizes. Expect larger lead times.

## 860

### 2 1/2" - 10" Reduced Pressure Zone Assemblies



Ordering Code	Style	Size	List Price
---------------	-------	------	------------

#### Disc Assembly

905182	860	2 1/2" & 3"	\$ 127.00
905183	860	4"	127.00
905184	860	6"	158.50
905185	860	8", 10"	295.50

Kit Includes: Items 6, 16, 17

#### Spring Module

905172	INLET	2 1/2" & 3"	124.00
905173	INLET	4"	136.00
905174	INLET	6"	164.00
905175	INLET	8", 10"	186.00
905142	OUTLET	2 1/2" & 3"	124.00
905143	OUTLET	4"	136.00
905144	OUTLET	6"	164.00
905145	OUTLET	8", 10"	186.00

Kit Includes: Items 2.1, 5.1, 7, 8, 9, 9.1, 10, 11, 12, 12.1

#### Check Replacement Kit

905543	INLET	2 1/2" & 3"	597.50
905546	INLET	4"	672.00
905550	INLET	6"	948.00
905554	INLET	8", 10"	1,367.00
905527	OUTLET	2 1/2" & 3"	583.50
905547	OUTLET	4"	646.00
905551	OUTLET	6"	856.00
905555	OUTLET	8", 10"	1,183.00

Kit Includes: Items 2.1, and 3 - 17

#### Seat Ring / Arm Assembly

905157	860	2 1/2" & 3"	206.50
905158	860	4"	216.00
905159	860	6"	311.00
905160	860	8", 10"	340.50

Kit Includes: Items 3, 3.1, 3.2, 3.4, 4, 4.1, 4.2, 5

Ordering Code	Style	Size	List Price
---------------	-------	------	------------

#### Check Rubber Kit

905409	860	2 1/2" & 3"	\$ 247.00
905410	860	4"	304.50
905411	860	6"	352.50
905412	860	8", 10"	566.50

Kit Includes: Items 2.1, 3.1, 6, 15-17, 26, 35, 35.1, 45, 45.1

#### Full Rubber Kit

905187	860	2 1/2" & 3"	379.50
905188	860	4"	379.50
905189	860	6"	434.00
905190	860	8", 10"	748.50

Kit Includes: (For two Checks and RV)

#### Cover Assembly

905167	With Bulkhead Fitting	2 1/2" & 3"	206.50
905168	With Bulkhead Fitting	4"	234.50
905169	With Bulkhead Fitting	6"	271.50
905170	With Bulkhead Fitting	8", 10"	311.00
905376	TAPPED	2 1/2" & 3"	206.50
905377	TAPPED	4"	234.50
905378	TAPPED	6"	271.50

Kit Includes: Items 2, 2.1, 15

For relief valve parts, see page 34.

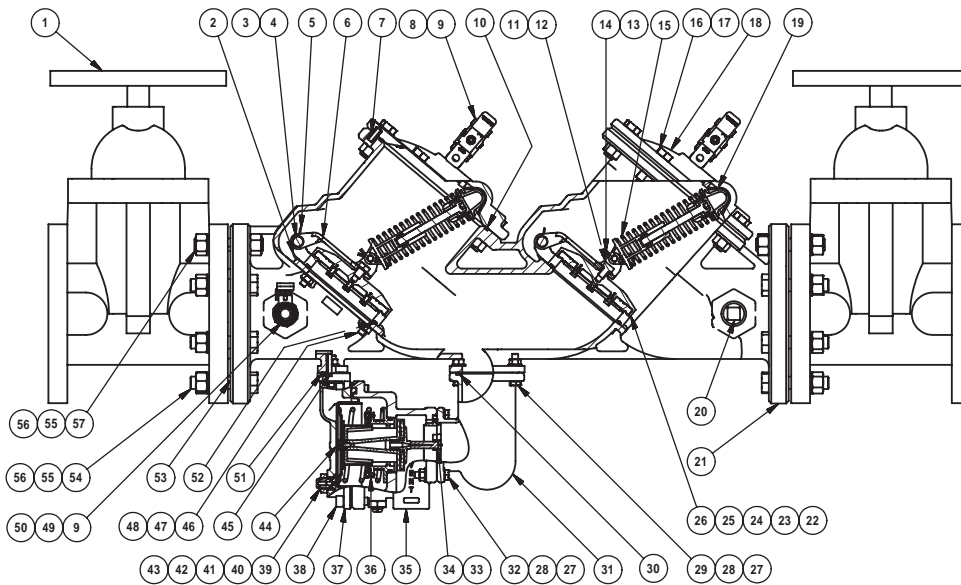
Supersedes all other price lists / Prices subject to change / Weights are estimated

<sup>1</sup>Grooved ends available on all OS&Y gate valves in some models and sizes. Expect larger lead times.

Detailed maintenance manuals can be downloaded at [www.FEBCOonline.com](http://www.FEBCOonline.com).

## LF860, LF866

### 2 1/2" - 10" Reduced Pressure Zone Assemblies/Reduced Pressure Zone Detector Assemblies



Ordering Code	Style	Size	List Price
---------------	-------	------	------------

#### Disc Assembly

LEAD FREE 905466	ALL	2 1/2" & 3"	\$ 147.50
905467	ALL	4"	154.50
905468	ALL	6"	203.00
905469	ALL	8" & 10"	378.00

Kit Includes: Items 11, 12, 22, 23, 24, 25, 26

#### Check Rubber Kit

LEAD FREE 905490	ALL	2 1/2" & 3"	84.00
905491	ALL	4"	91.50
905492	ALL	6"	105.50
905493	ALL	8" & 10"	175.50

Kit Includes: Items 10, 25, 30, and 51 and Seat Ring O-Rings

#### Spring Module

LEAD FREE 905507	860, 866 (1st)	2 1/2" & 3"	140.50
905508	860, 866 (1st)	4"	154.50
905509	860, 866 (1st)	6"	189.50
905510	860, 866 (1st)	8" & 10"	210.00
LEAD FREE 905470	860 (2nd)	2 1/2" & 3"	63.25
905471	860 (2nd)	4"	81.50
905472	860 (2nd)	6"	132.00
905473	860 (2nd)	8" & 10"	147.50
LEAD FREE 905608	866 (2nd)	2 1/2" & 3"	90.00
905609	866 (2nd)	4"	104.00
905610	866 (2nd)	6"	156.00
905611	866 (2nd)	8" & 10"	152.00

Kit Includes: Item 15

#### Seat Ring / Arm Assembly

LEAD FREE 905486	ALL	2 1/2" & 3"	266.00
905487	ALL	4"	276.00
905488	ALL	6"	393.50
905489	ALL	8" & 10"	392.00

Kit Includes: Items 2, 3, 4, 5, 6, 46, 47, 48, 52

Ordering Code	Style	Size	List Price
---------------	-------	------	------------

#### Check Replacement Kit

LEAD FREE 905511	860, 866 (1st)	2 1/2" & 3"	\$ 535.00
905512	860, 866 (1st)	4"	675.50
905514	860, 866 (1st)	6"	1,119.00
905515	860, 866 (1st)	8" & 10"	1,663.00
LEAD FREE 905478	860 (2nd)	2 1/2" & 3"	531.50
905479	860 (2nd)	4"	670.00
905480	860 (2nd)	6"	974.50
905481	860 (2nd)	8" & 10"	1,422.00
LEAD FREE 905612	866 (2nd)	2 1/2" & 3"	567.00
905613	866 (2nd)	4"	685.00
905614	866 (2nd)	6"	995.50
905615	866 (2nd)	8" & 10"	1,491.00

Kit Includes: Check Assembly, Seat Ring Arm, Spring Assembly, and Disc Assembly. Cover O-Rings on all Check Kits

#### Full Rubber Kit

LEAD FREE 905535	ALL	2 1/2" & 3"	203.00
905566	ALL	4"	210.00
905579	ALL	6"	224.50
905580	ALL	8" & 10"	294.00

Kit Includes: (For Two Checks and RV)

#### Cover Assembly

LEAD FREE 905376	ALL	2 1/2" & 3"	206.50
905377	ALL	4"	234.50
905378	ALL	6"	271.50

Kit Includes: Items 7, 10, 18, 19

\*The wetted surface of this product contacted by consumable water contains less than 0.25% of lead by weight.

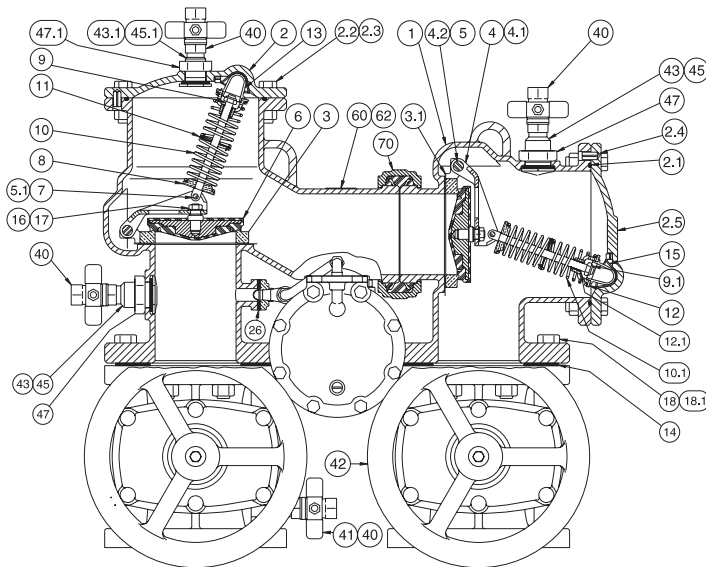
Supersedes all other price lists / Prices subject to change / Weights are estimated

<sup>1</sup>Grooved ends available on all OS&Y gate valves in some models and sizes. Expect larger lead times.

Detailed maintenance manuals can be downloaded at [www.FEBCOonline.com](http://www.FEBCOonline.com).

## 880, 880V

### 2 1/2" - 10" Reduced Pressure Zone Assemblies



Ordering Code	Style	Size	List Price
<b>Disc Assembly</b>			
905224	ALL	2 1/2" & 3"	\$ 127.00
905225	ALL	4"	127.00
905226	ALL	6"	158.50
905185	ALL	8"	295.50
400145	ALL	10"	304.50
Kit Includes: Items 6, 16, 17. (10", Item 6 only)			
<b>Spring Module</b>			
905172	INLET	2 1/2" & 3"	124.00
905173	INLET	4"	136.00
905174	INLET	6"	164.00
905175	INLET	8"	186.00
905176	INLET	10"	552.50
905142	OUTLET	2 1/2" & 3"	124.00
905143	OUTLET	4"	136.00
905144	OUTLET	6"	164.00
905145	OUTLET	8"	186.00
905146	OUTLET	10"	552.50
Kit Includes: Items 2.1, 5.1, 7, 8, 9, 9.1, 10, 11, 12, 12.1			
<b>Check Replacement Kit</b>			
905544	INLET	2 1/2" & 3"	577.00
905548	INLET	4"	650.00
905552	INLET	6"	957.50
905554	INLET	8"	1,367.00
905556	INLET	10"	2,039.00
905545	OUTLET	2 1/2" & 3"	565.00
905549	OUTLET	4"	627.00
905553	OUTLET	6"	868.50
905555	OUTLET	8"	1,183.00
905557	OUTLET	10"	1,859.00
Kit Includes: Items 2.1, and 3 - 17			

Ordering Code	Style	Size	List Price
<b>Seat Ring / Arm Assembly</b>			
905157	ALL	2 1/2" & 3"	\$ 206.50
905158	ALL	4"	216.00
905159	ALL	6"	311.00
905160	ALL	8"	340.50
905161	ALL	10"	363.50
Kit Includes: Items 3, 3.1, 3.2, 3.4, 4, 4.1, 4.2, 5			
<b>Check Rubber Kit</b>			
905413	ALL	2 1/2" & 3"	218.50
905414	ALL	4"	277.00
905415	ALL	6"	356.00
905412	ALL	8"	566.50
905416	ALL	10"	424.50
Kit Includes: Items 2.1, 3.1, 6, 15-17, 26, 35, 35.1, 45, 45.1			
<b>Full Rubber Kit</b>			
905227	ALL	2 1/2" & 3"	379.50
905228	ALL	4"	379.50
905229	ALL	6"	434.00
905190	ALL	8"	748.50
905191	ALL	10"	811.00
Kit Includes: For 2 Checks and RV			
<b>Cover Assembly (Inlet Check)<sup>†</sup></b>			
905167	ALL	2 1/2" & 3"	206.50
905168	ALL	4"	234.50
905169	ALL	6"	271.50
905170	ALL	8"	311.00
905171	ALL	10"	322.00
Kit Includes: Items 2, 2.1, 15			
<b>Cover Assembly (Outlet Check)<sup>†</sup></b>			
905244	ALL	2 1/2" & 3"	206.50
905245	ALL	4"	234.50
905246	ALL	6"	271.50
905247	ALL	8"	311.00
905248	ALL	10"	314.00
Kit Includes: Items 2, 2.1, 15			
<b>Bulkhead Fittings<sup>†</sup></b>			
905275	FOR COVER	2 1/2", 3", 4"	27.00
905277	FOR COVER	6", 8", 10"	36.00
<b>Bulkhead Fittings<sup>†</sup></b>			
905276	FOR BODY	2 1/2", 3", 4"	33.00
905277	FOR BODY	6", 8", 10"	36.00

<sup>†</sup> Bulkhead fittings are not furnished on late models. Very early productions of Model 876 may require a different bulkhead fitting. Consult your FEBCO representative for assistance.

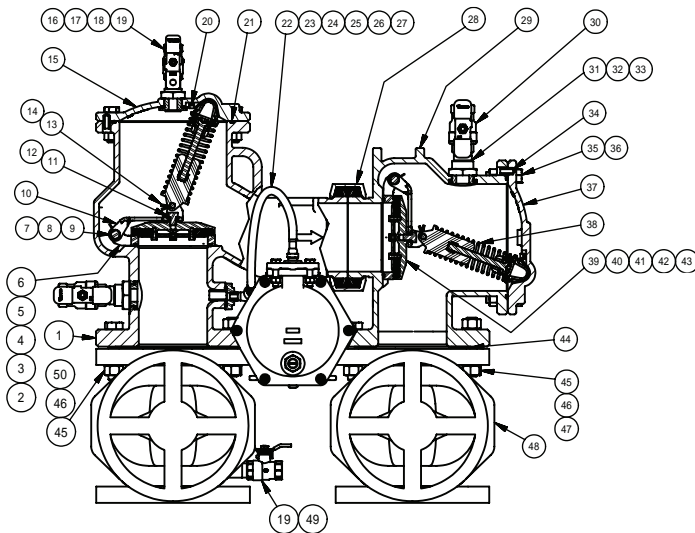
Supersedes all other price lists / Prices subject to change / Weights are estimated

<sup>1</sup>Grooved ends available on all OS&Y gate valves in some models and sizes. Expect larger lead times.

Detailed maintenance manuals can be downloaded at [www.FEBCOonline.com](http://www.FEBCOonline.com).

## LF880V, LF886V

### 2 1/2" – 10" Reduced Pressure Zone Assemblies/ Reduced Pressure Zone Detector Assemblies



Ordering Code	Style	Size	List Price
<b>Disc Assembly</b>			
905466	ALL	2 1/2" & 3"	\$ 147.50
905467	ALL	4"	154.50
905468	ALL	6"	203.00
905469	ALL	8"	378.00
400145	ALL	10"	304.50
Kit Includes: Items 11, 12, 21, 39, 40, 41, 42, 43			
<b>Check Rubber Kit</b>			
905490	ALL	2 1/2" & 3"	84.00
905491	ALL	4"	91.50
905492	ALL	6"	105.50
905493	ALL	8"	175.50
Kit Includes: Items 4, 5, 21, 40			
<b>Spring Module</b>			
905507	880, 886 (1st)	2 1/2" & 3"	140.50
905508	880, 886 (1st)	4"	154.50
905509	880, 886 (1st)	6"	189.50
905510	880, 886 (1st)	8"	210.00
905470	880 (2nd)	2 1/2" & 3"	63.25
905471	880 (2nd)	4"	81.50
905472	880 (2nd)	6"	132.00
905473	880 (2nd)	8"	147.50
905608	886 (2nd)	2 1/2" & 3"	90.00
905609	886 (2nd)	4"	104.00
905610	886 (2nd)	6"	156.00
905611	886 (2nd)	8"	152.00
Kit Includes: Item 38			

Ordering Code	Style	Size	List Price
<b>Seat Ring / Arm Assembly</b>			
905486	ALL	2 1/2" & 3"	\$ 266.00
905487	ALL	4"	276.00
905488	ALL	6"	393.50
905489	ALL	8"	392.00
Kit Includes: Items 2 thru 10, 21			
<b>Check Replacement Kit</b>			
905511	880,886 (1st)	2 1/2" & 3"	535.00
905512	880,886 (1st)	4"	675.50
905514	880,886 (1st)	6"	1,119.00
905515	880,886 (1st)	8"	1,663.00
905478	880 (2nd)	2 1/2" & 3"	531.50
905479	880 (2nd)	4"	670.00
905480	880 (2nd)	6"	974.50
905481	880 (2nd)	8"	1,422.00
905612	886 (2nd)	2 1/2" & 3"	567.00
905613	886 (2nd)	4"	685.00
905614	886 (2nd)	6"	995.50
905615	886 (2nd)	8"	1,491.00
Kit Includes: Items 2 thru 12, 21, 38, 39, 40, 41, 42, 43 Cover O-Rings on all Check Kits			
<b>Cover Assembly (Inlet Check 880V, Outlet 886V)</b>			
905167	ALL	2 1/2" & 3"	206.50
905168	ALL	4"	234.50
905169	ALL	6"	271.50
905170	ALL	8"	311.00
905171	ALL	10"	322.00
Kit Includes: Items 2, 4, 15, 20, 21			
<b>Cover Assembly (Outlet Check 880V)</b>			
905244	ALL	2 1/2" & 3"	206.50
905245	ALL	4"	234.50
905246	ALL	6"	271.50
905247	ALL	8"	311.00
905248	ALL	10"	314.00
Kit Includes: Items 2, 4, 20, 21, 37			
<b>Bulkhead Fittings for Cover</b>			
905275	ALL	2 1/2", 3", 4"	27.00
905277	ALL	6", 8", 10"	36.00
Kit Includes: Items 16, 17, 18			
<b>Bulkhead Fittings for Body</b>			
905276	880V	2 1/2", 3", 4"	33.00
905277	880V	6", 8", 10"	36.00
905277	886V	2 1/2" - 10"	36.00
Kit Includes: Items 31, 32, 33			

\*The wetted surface of this product contacted by consumable water contains less than 0.25% of lead by weight.

Supersedes all other price lists / Prices subject to change / Weights are estimated

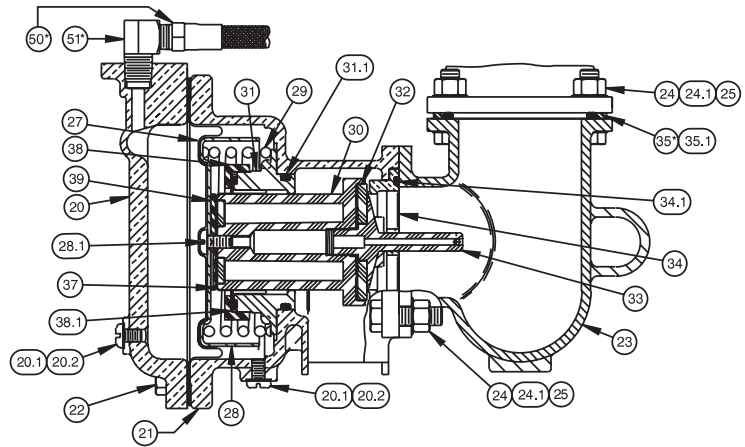
<sup>1</sup>Grooved ends available on all OS&Y gate valves in some models and sizes. Expect larger lead times.



## 860, 880

### Relief Valve Repair Kits

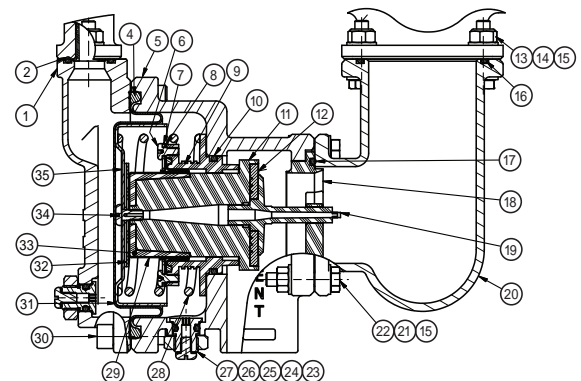
Ordering Code	List Price
<b>RV Rubber Kit</b>	
LEAD FREE 905316	\$ 107.00
Kit Includes: Items 26, 27, 31.1, 32, 34.1, 37	
<b>RV Repair Parts Kit</b>	
905192	266.00
Kit Includes: Items 26, 27, 28, 28.1, 29, 30, 31, 31.1, 32, 33, 34, 34.1, 37, 38, 38.1, 39	
<b>Internal Module (Fully Assembled)</b>	
905320	222.50
Kit Includes: Items 27, 28, 28.1, 29, 30, 31, 31.1, 32, 33, 37, 38, 38.1, 39	
<b>Complete Relief Valve (860)</b>	
905294	856.00
Kit Includes: Fully Assembled	
<b>Complete Relief Valve (880V)</b>	
905295	965.00
Kit Includes: Fully Assembled	



## LF860, LF880V, LF866, LF886V

### Relief Valve Repair Kits

Ordering Code	List Price
<b>RV Rubber Kit</b>	
LEAD FREE 905602	\$ 119.50
Kit Includes: Items 2, 4, 10, 12, 17 & 29	
<b>RV Repair Parts Kit</b>	
LEAD FREE 905603	231.50
Kit Includes: Items 2, 4, 6, 7, 8, 9, 10, 11, 12, 17, 18, 19, 28, 29, 31, 32, 33, 34 & 35	
<b>Complete RV W/Elbows (LF860/LF866 2 1/2" - 8")</b>	
LEAD FREE 905606	734.00
Kit Includes: Fully Assembled	
<b>Complete RV W/Elbows (LF880V, LF886V, LF860/LF866 10")</b>	
LEAD FREE 905607	839.00
Kit Includes: Fully Assembled	



## LF856, LF876V, LF866, LF886V

### Bypass Assemblies and Bypass Repair Kits

Ordering Code	Size	List Price
<b>LF856/LF866</b>		
LEAD FREE 905629	2 1/2" - 4"	\$ 513.50
905630	6" - 10"	531.50
<b>LF876V/LF886V</b>		
LEAD FREE 905625	2 1/2" - 3"	565.50
905638	4"	574.00
905626	6"	580.00
905639	8"	586.00
905640	10"	592.00
Kit supplied loosely assembled		

## LF856, LF876V, LF866, LF886V cont.

### Bypass Assemblies and Bypass Repair Kits

Ordering Code	Size	List Price
<b>LF856/LF886/LF876V/LF886V/Bypass Hose</b>		
LEAD FREE 905631	2 1/2" - 4"	24.25
905632	6" - 10"	36.25
<b>FFFRK 619 CK1 Bypass Check Repair Kit</b>		
LEAD FREE 905633	2 1/2" - 10"	66.00
<b>FFFRK 619 Bypass Check Assembly</b>		
LEAD FREE 905634	2 1/2" - 10"	272.00

\*The wetted surface of this product contacted by consumable water contains less than 0.25% of lead by weight.

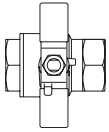
Supersedes all other price lists / Prices subject to change / Weights are estimated

<sup>1</sup>Grooved ends available on all OS&Y gate valves in some models and sizes. Expect larger lead times.

Detailed maintenance manuals can be downloaded at [www.FEBCOonline.com](http://www.FEBCOonline.com).



## Full Port Ball Valve

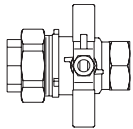


Model LF622F  
Model LF622FT (Tapped)

Ordering Code	Size	List Price
<b>LF622F (Non Tapped)</b>		
781047LL	1/2"	\$ 18.75
781048LL	3/4"	21.75
781049LL	1"	42.50
781050LL	1 1/4"	74.25
781051LL	1 1/2"	106.00
781052LL	2"	137.00

Ordering Code	Size	List Price
<b>LF622FT (Tapped)</b>		
781244LL	1/2"	\$ 20.50
781053LL	3/4"	24.50
781054LL	1"	45.50
781055LL	1 1/4"	86.25
781056LL	1 1/2"	112.50
781057LL	2"	163.50

## Union End Full Port Ball Valve

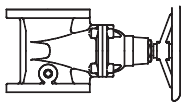


Model LF622UF  
Model LF622UFT (Tapped)

Ordering Code	Size	List Price
<b>LF622UF (Non Tapped)</b>		
781288LL	3/4"	\$ 34.50
781289LL	1"	54.75
781290LL	1 1/4"	120.50
781291LL	1 1/2"	175.00
781292LL	2"	244.00

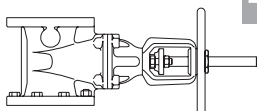
Ordering Code	Size	List Price
<b>LF622UFT (Tapped)</b>		
781293LL	1/2"	\$ 34.50
781294LL	3/4"	52.25
781295LL	1"	68.75
781296LL	1 1/4"	135.00
781297LL	1 1/2"	187.50
781298LL	2"	292.50

## Resilient Wedge Gate Valve



NRS Gate Valve

Ordering Code	Size	List Price
<b>NRS RW Gate Valves</b>		
781005	2 1/2"	\$ 800.50
781006	3"	821.00
781007	4"	1,048.00
781008	6"	1,479.00
781009	8"	2,150.00
781010	10"	3,769.00



OSY Gate Valve

Ordering Code	Size	List Price
<b>OSY RW Gate Valves</b>		
780891	2 1/2"	\$ 1,048.00
780893	3"	1,303.00
780895	4"	1,311.00
780897	6"	1,824.00
780899	8"	3,148.00
780901	10"	4,419.00

The resilient wedge gate valve consists of a cast iron, epoxy coated body, with fully rubber encapsulated wedge. The valve body is flanged and rated to 200 PSI and tapped for test cock requirements. The non-rising stem gate valve is tested to AWWA (C509 NRS). The outside stem and yoke gate valve is UL Listed and FM Approved. Customer needs to specify the gate valve manufacturer required on the project.

\*The wetted surface of this product contacted by consumable water contains less than 0.25% of lead by weight.

Supersedes all other price lists / Prices subject to change / Weights are estimated

<sup>1</sup>Grooved ends available on all OS&Y gate valves in some models and sizes. Expect larger lead times.







---

---

---

---

---

---

---

---

---

---

---

---

---

---

---

---

---

---

---

---

---

---

---

---

---

---

---

---

---

---







To locate your nearest FEBCO representative, please go to  
[FEBCOonline.com/pages/contact.asp](http://FEBCOonline.com/pages/contact.asp)

**Represented by:**



**A WATTS Brand**

**USA:** T: (800) 767-1234 • F: (800) 788-4491 • [FEBCOonline.com](http://FEBCOonline.com)  
**Canada:** T: (905) 332-4090 • F: (905) 332-7068 • [FEBCOonline.ca](http://FEBCOonline.ca)  
**Latin America:** (52) 81-1001-8600 • [FEBCOonline.com](http://FEBCOonline.com)