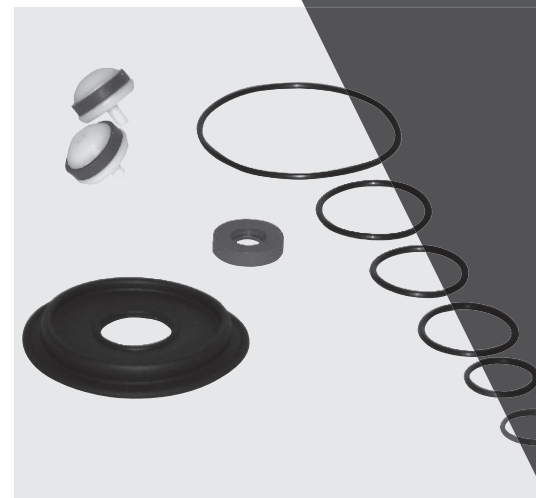
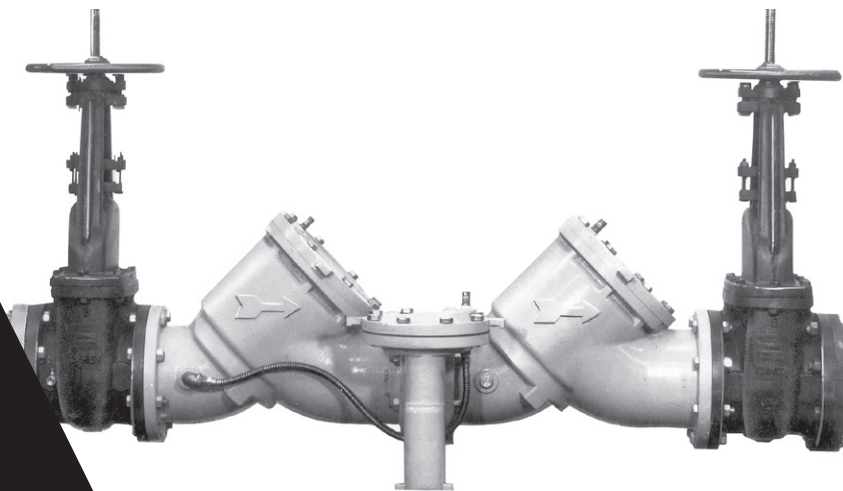
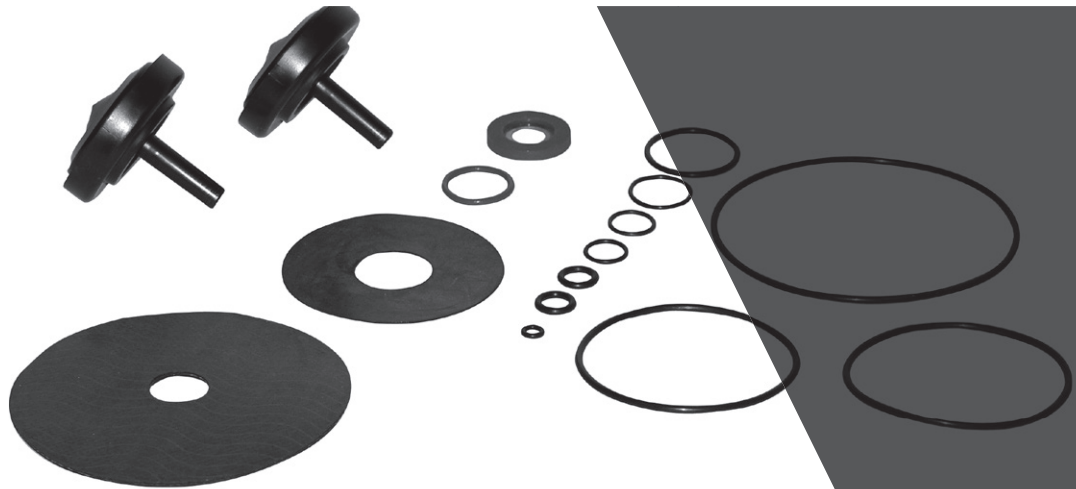
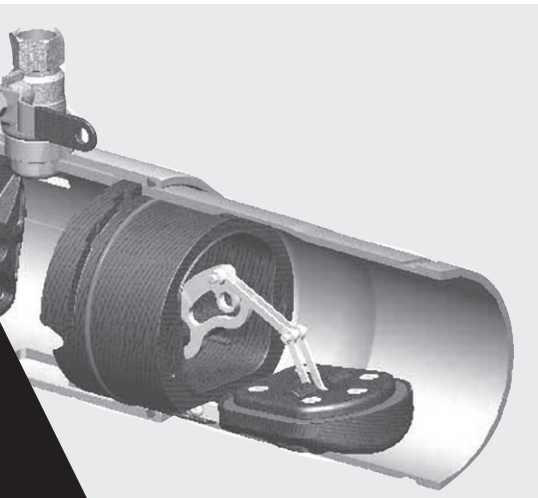


Price List

Backflow Prevention Products Repair Kits & Service Parts



Effective October 8, 2018

All prices supersede previous issues, are temporary and subject to change without notice.

Electronic is Green!

**For the latest Watts pricing information in
electronic format, visit our Data Exchange at:**

<http://www.wattswater.com/dataexchange>

- Download product and list price data in .csv, .pdf, .tsv, .xls and .xml formats
- Easy access to list price data for business systems
- Sign up for e-mail alerts when data is updated
- Access other Watts Water Technologies brands pricing data

Table of Contents

Series Size Page

1 Single & Double Check Valve Assemblies

07F, SS07F	4" - 10"	3
007, LF007	1/2" - 2"	4
007, LF007, 007DCDA	2" - 3"	5
709	3/4" - 2"	6
709, LF709	2 1/2" - 10"	7
709DCDA	3" - 10"	8
719, LF719	1/2" - 2"	9
757, 757DCDA, LF757DCDA	2 1/2" - 10"	10
757a, 757aDCDA	2 1/2" - 6"	10
770, 770DCDA	4" - 8"	11
772, 772DCDA	4" - 10"	12
773, 773DCDA	4" - 6"	13
774, 774DCDA	2 1/2" - 12"	14
774X, 774XDCDA	6"	14
775	1/2" - 2"	15
775, 775DCDA	3" - 8"	16
Troubleshooting Guide		17

2 Reduced Pressure Zone Assemblies

009, LF009	1/4" - 1"	18
009, LF009	1 1/4" - 2"	19
009, LF009	1/4" - 2"	20
009, LF009	2 1/2" - 3"	21
900	3/4" - 2"	22
909, LF909	3/4" - 2"	23, 24
909, LF909	2 1/2" - 10"	25, 26
909RPDA	2 1/2" - 10"	27, 28
919, LF919	1/4" - 2"	29, 30
957, 957RPDA, LF957DCDA	2 1/2" - 10"	31, 32
990	4" - 8"	33
990, 990RPDA	4" - 8"	34
992	4" - 10"	35
992, 992RPDA	4" - 10"	36
993, 993RPDA	4" - 6"	37, 38
994, 994RPDA	2 1/2" - 10"	39
995	1/2" - 1 1/2"	40
995, 995RPDA	3" - 6"	41
Troubleshooting Guide		42

3 Vacuum Breakers

008, LF008, 008PC, LF008PC	3/8" - 1"	43
800M, 800CM	1/2" - 3/4"	43
800M4, LF800M4, 800M4FR, LF800M4FR	1/2" - 2"	44
800M3	1/2" - 3/4"	45
800M2	1/2" - 2"	45
800	1/2" - 2"	46

Minimum order charge

A \$10.00 minimum order charge will apply for an individual parts order.

All prices are temporary and subject to change without notice and supersede all previous prices.

Series Size Page

4 Non-Testable Backflow Preventers

9D	1/2" - 3/4"	47
8A, NF8	3/4"	47
SD3	1/4" - 3/8"	47
9BD	1/4" - 3/8"	47
7, LF7	1/2" - 1 1/4"	47
N9, LFN9, NLF9, N9-CD, 912HP	1/4" - 1"	47
SD2	1/4" - 3/8"	47
188A, 288A, LF288A, 289, LF289, 388ASC, N388, LFN388	1/4" - 3"	48

5 Accessories, Auxiliary Equipment

Accessories, Auxiliary Equipment	49
Replacement Shutoff Valves	50
Replacement Gate Valve Packs	50
Replacement Handle Kits	51

Repair Kit Matrix

Kit Type	Series	Model	Kit Contents	Size
<i>Example:</i> RK - 909 - RPDA - M1 - CK1 - 8"				
RK = Repair Kit HK = Handle Kit AK = Accessory Kit UK = Union Kit			B = Bonnet Assembly C = Cover V = Vent or Relief Valve CK = Check or Spring RC = Rubber for Check RV = Rubber for Relief Valve RT = Total Rubber Parts S = Seat M = Metered Bypass L = Less Meter G = GPM C = CFM T = Total (all internal parts) 1 = First Check 2 = Second Check 3 = Both 1st and 2nd Check 4 = Either 1st or 2nd Check SS = Stainless Steel SM = Spring Module HW = Harsh/Hot Water	

1 Single & Double Check Assemblies

Terms and Conditions

FREIGHT TERMS: All shipments are F.O.B. shipping point. Shipments from factory less than 1000 lbs. are F.O.B. factory. Factory shipments OF \$5000 and over within the continental U.S.A. will be prepaid and allowed when made at the lowest motor carrier transportation rate.

TERMS OF SALE: All sales are F.O.B. shipping point.

PAYMENT TERMS: The invoices are due and payable 30 days from the date of invoice.

PURCHASE ORDER FORMS: Orders submitted on customer's own purchase order forms will be accepted only with the express understanding that no statements, clauses, or conditions contained in said order form will be binding on the Seller if they in any way modify the Seller's own terms and conditions of sales.

STOCKING WHOLESALE MINIMUM CHARGE: A minimum billing charge of \$100.00 applies to shipments F.O.B. factory. Stocking Wholesaler Customers are encouraged to order sufficient material to avoid this charge which is necessitated by increased costs of processing small orders.

SPECIAL PRODUCTS: Orders for special or modified products are non-cancelable. In the event that the customer cancels an order for such products, Watts shall charge the customer an amount equal to Watts' costs and expenses incurred in performing the purchase order prior to receipt of notice of cancellation.

LIMITED WARRANTY: Watts Regulator Co. (the "Company") warrants each product to be free from defects in material and workmanship under normal usage for a period of one year from the date of original shipment. In the event of such defects within the warranty period, the Company will, at its option, replace or recondition the product without charge.

THE WARRANTY SET FORTH HEREIN IS GIVEN EXPRESSLY AND IS THE ONLY WARRANTY GIVEN BY THE COMPANY WITH RESPECT TO THE PRODUCT. THE COMPANY MAKES NO OTHER WARRANTIES, EXPRESS OR IMPLIED. THE COMPANY HEREBY SPECIFICALLY DISCLAIMS ALL OTHER WARRANTIES, EXPRESS OR IMPLIED, INCLUDING BUT NOT LIMITED TO THE IMPLIED WARRANTIES OF MERCHANTABILITY AND FITNESS FOR A PARTICULAR PURPOSE.

The remedy described in the first paragraph of this warranty shall constitute the sole and exclusive remedy for breach of warranty, and the Company shall not be responsible for any incidental, special or consequential damages, including without limitation, lost profits or the cost of repairing or replacing other property which is damaged if this product does not work properly, other costs resulting from labor charges, delays, vandalism, negligence, fouling caused by foreign material, damage from adverse water conditions, chemical, or any other circumstances over which the Company has no control. This warranty shall be invalidated by any abuse, misuse, misapplication, improper installation or improper maintenance or alteration of the product.

Some States do not allow limitations on how long an implied warranty lasts, and some States do not allow the exclusion or limitation of incidental or consequential damages. Therefore the above limitations may not apply to you. This Limited Warranty gives you specific legal rights, and you may have other rights that vary from State to State. You should consult applicable state laws to determine your rights. **SO FAR AS IS CONSISTENT WITH APPLICABLE STATE LAW, ANY IMPLIED WARRANTIES THAT MAY NOT BE DISCLAIMED, INCLUDING THE IMPLIED WARRANTIES OF MERCHANTABILITY AND FITNESS FOR A PARTICULAR PURPOSE, ARE LIMITED IN DURATION TO ONE YEAR FROM THE DATE OF ORIGINAL SHIPMENT.**

SERVICE POLICY: For inoperative products beyond the warranty period, we assume no liability for replacement of valves due to service conditions beyond our control.

RETURNED GOODS: No material shall be returned without authorization. When credit is issued it will be at the price charged, or prevailing price if lower, less handling charges based on costs of reconditioning, boxing, etc. However, a minimum 25% handling charge will apply. A minimum handling charge of \$20.00 is applied whenever the 25% handling deduction does not total \$20.00. Products which are obsolete or made to special order are not returnable.

NOTE: Prices and terms are subject to change without notice and supersede all previous quotations. The right is reserved to change or modify product design or construction without prior notice and without incurring any obligation to make such changes and modifications on products previously or subsequently sold.

Series 07F, SS07F

Single Check Valves

Sizes 4" – 10"

07F Repair Kits

When ordering specify Ordering Code, Kit No., and Valve Size.

ORDERING CODE	KIT NO.	SIZE	LIST PRICE
Rubber Parts Kits			
0887105	RK 07F RT	4"	\$1,245.00
0887106	RK 07F RT	6"	1,196.00
0887107	RK 07F RT	8"	1,161.00

Kit consists of: cover O-ring, bolt O-ring, disc and bracket.

Check Kits

0887108	RK 07F CK4	4"	512.00
0887109	RK 07F CK4	6"	945.00
0887110	RK 07F CK4	8"	1,656.00

Kit consists of: spring assembly and cover O-ring.

Seat Kits

0887111	RK 07F S	4"	131.00
0887112	RK 07F S	6"	203.00
0887113	RK 07F S	8"	257.50

Kit consists of: seat, seat O-ring and cover O-ring.

Total Repair Kits

0887114	RK 07F T	4"	1,531.00
0887115	RK 07F T	6"	1,668.00
0887116	RK 07F T	8"	1,913.00

Kit consists of: spring assembly, disc and bracket, bolt O-rings and cover O-ring.

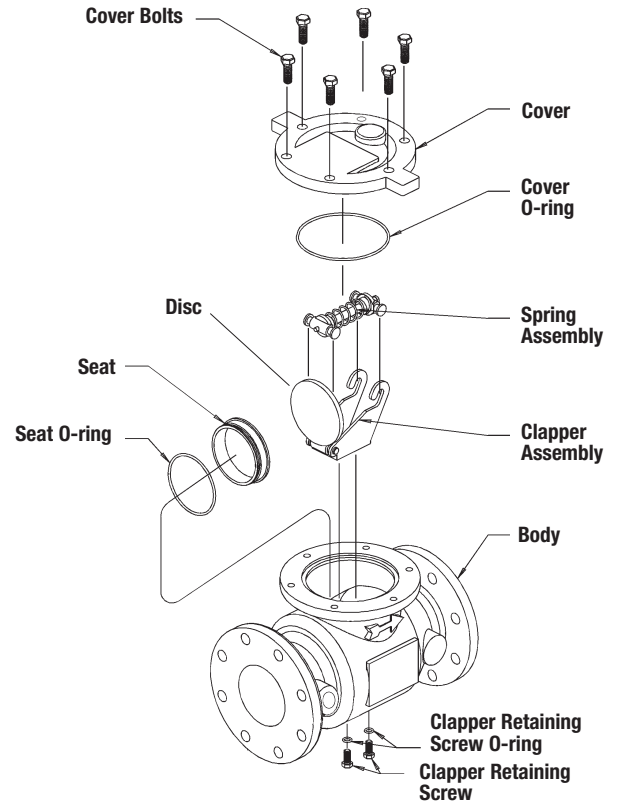
SS07F Repair Kits

Check Kits

0888940	RK SS07F CK	4"	682.50
0888941	RK SS07F CK	6"	857.00
0888942	RK SS07F CK	8", 10"	985.50

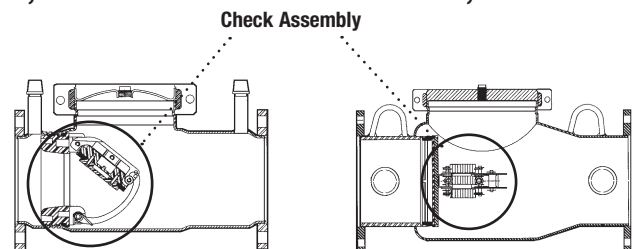
Kit consists of: complete check assembly.

4" – 8" 07F



4", 6" SS07F

8", 10" SS07F



*The wetted surface of this product contacted by consumable water contains less than 0.25% of lead by weight.

Series 007, LF007

Double Check Valve Assemblies

Sizes 1/2" - 2"

Repair Kits

When ordering specify Ordering Code, Kit No., and Valve Size.

ORDERING CODE	KIT NO.	SIZE	LIST PRICE
Total Repair Kits			
0887033	RK 007-T	1/2"	\$75.00
0887724	RK 007M2-T	3/4"	53.00
0888554	RK 007M3-T	3/4"	50.25
0887027	RK 007-T	3/4" - 1"	113.00
0887044	RK 007M1-T	3/4" - 1"	108.50
0887723	RK 007M2-T	1 1/4" - 1 1/2"	207.50
0887034	RK 007-T	1 1/2" - 2"	219.50
0887192	RK 007M1-T	1 1/2" - 2"	212.50

Kit consists of: first check repair kit, second check repair kit, retainer (if plastic)

Check Kits: 1st or 2nd Check

ORDERING CODE	KIT NO.	SIZE	LIST PRICE
0887193	RK 007 CK4	1/2"	41.75
0887377	RK SS007 CK4	1/2"	41.75
0887373	RK SS007M1 CK4	1"	60.25
0887026	RK 007M1 CK4	3/4" - 1"	60.25

1st Check

ORDERING CODE	KIT NO.	SIZE	LIST PRICE
0887045	RK 007M2 CK1	3/4"	29.50
0888550	RK 007M3 CK1	3/4"	28.25
0887393	RK SS007M2 CK1	3/4"	29.50
0888070	RK SS007M3 CK1	1/2" - 3/4"	29.50
0887023	RK 007 CK1	3/4" - 1"	62.50
0887025	RK 007 CK1	1 1/2" - 2"	122.50
0887186	RK 007M1 CK1	1 1/2" - 2"	118.50
0887719	RK 007M2 CK1	1 1/4" - 1 1/2"	115.50

2nd Check

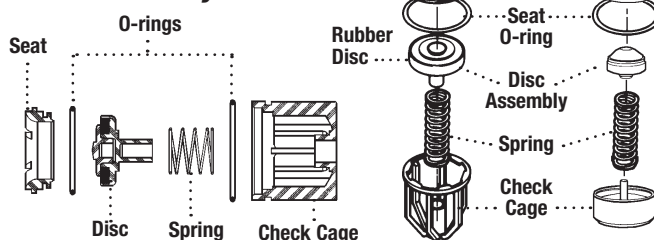
ORDERING CODE	KIT NO.	SIZE	LIST PRICE
0887046	RK 007M2 CK2	3/4"	29.50
0888551	RK 007M3 CK2	3/4"	28.25
0888071	RK SS007M3 CK2	1/2" - 3/4"	29.50
0887024	RK 007 CK2	3/4" - 1"	62.50
0887028	RK 007 CK2	1 1/2" - 2"	122.50
0887187	RK 007M1 CK2	1 1/2" - 2"	118.50
0887720	RK 007M2 CK2	1 1/4" - 1 1/2"	115.50

Stainless Steel 1st or 2nd Check

ORDERING CODE	KIT NO.	SIZE	LIST PRICE
0887022	RK 007 CK1 SS	3/4" - 1"	215.50
0887030	RK 007 CK2 SS	3/4" - 1"	215.50
0887032	RK 007M1 CK4 SS	3/4" - 1"	207.00
0887031	RK 007 CK1 SS	1 1/2" - 2"	302.00
0887035	RK 007 CK2 SS	1 1/2" - 2"	302.00
0887189	RK 007M1 CK1 SS	1 1/2" - 2"	290.50
0887190	RK 007M1 CK2 SS	1 1/2" - 2"	290.50

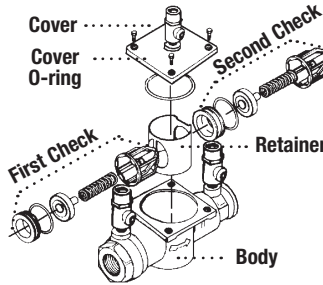
Kit consists of: seat; seat O-ring; disc assembly; spring; check cage; cover O-ring.

3/4" 007M3 Check Assembly

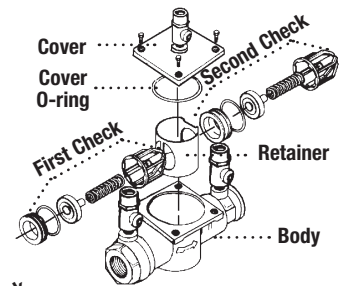


Rubber seat disc can be replaced. However, disc holder and disc retainer are permanently bonded to prevent failure.

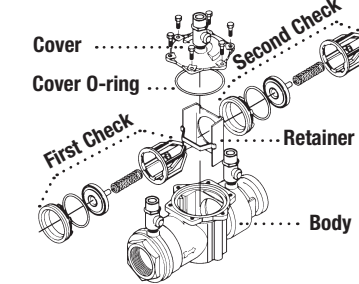
1/2" - 1" 007



1 1/4" - 1 1/2" 007M2



2" 007M1



ORDERING CODE	KIT NO.	SIZE	LIST PRICE
Cover Kit			
0887195	RK 007 C	1/2"	\$62.00
0887379	RK SS007 C	1/2"	176.50
0888073	RK SS007M3 C	1/2" - 3/4"	196.50
0794005	LFRK 007M2/M3-C	3/4"	72.50
0887380	RK SS007M2 C	3/4"	196.50
0887381	RK SS007M1 C	1"	285.50
0794004	LFRK 007M1 C	3/4" - 1"	105.00
0887191	RK 007M1 C	1 1/2" - 2"	155.50
0887722	RK 007M2 C	1 1/4" - 1 1/2"	137.50

Kit consists of: cover and cover O-ring.

Complete Rubber Parts

ORDERING CODE	KIT NO.	SIZE	LIST PRICE
0887194	RK 007 RT	1/2"	25.50
0887378	RK SS007 RT	1/2"	25.50
0888072	RK SS007M3 RT	1/2" - 3/4"	25.50
0887394	RK SS007M2 RT	3/4"	25.50
0887043	RK 007M2 RT	3/4"	25.50
0888552	RK 007M3 RT	3/4"	24.50
0887374	RK SS007M1 RT	1"	25.50
0887040	RK 007 RT	3/4" - 1"	26.25
0887042	RK 007M1 RT	3/4" - 1"	25.50
0887041	RK 007 RT	1 1/2" - 2"	78.50
0887188	RK 007M1 RT	1 1/2" - 2"	35.50
0887721	RK 007M2 RT	1 1/4" - 1 1/2"	35.50

Kit consists of: cover O-ring; 2 disc assemblies and 2 seat O-rings.

*The wetted surface of this product contacted by consumable water contains less than 0.25% of lead by weight.

Series 007, LF007, 007DCDA

Double Check Valve Assemblies Double Check Detector Assemblies

Sizes 2" – 3"

Repair Kits

When ordering specify Ordering Code, Kit No., and Valve Size.

ORDERING CODE	KIT NO.	SIZE	LIST PRICE
---------------	---------	------	------------

First Check Kit

LEAD FREE	ORDERING CODE	KIT NO.	SIZE	LIST PRICE
	0887980	RK 007DCDA CK1	2"	\$124.50
	0794006	LFRK 007 CK1	2 1/2", 3"	597.50
	0794007	LFRK 007DCDA CK1	2 1/2", 3"	620.50

Kit consists of: seat, seat O-ring, disc assembly, spring, spring retainer, check cage and cover O-ring.

Second Check Kit

LEAD FREE	ORDERING CODE	KIT NO.	SIZE	LIST PRICE
	0887981	RK 007DCDA CK2	2"	112.50
	0794008	LFRK 007 CK2	2 1/2", 3"	569.00
	0794009	LFRK 007DCDA-CK2	2 1/2", 3"	569.00

Kit consists of: seat, seat O-ring, disc assembly, spring, spring retainer, check cage and cover O-ring.

Complete Rubber Parts

LEAD FREE	ORDERING CODE	KIT NO.	SIZE	LIST PRICE
	0887982	RK 007DCDA RT	2"	33.75
	0887287	RK 007 RT	2 1/2", 3"	131.00
	0887967	RK 007DCDA RT	2 1/2", 3"	131.00

Kit consists of: 2 seat discs, 2 seat O-rings, and cover O-ring.

Cover Kit

LEAD FREE	ORDERING CODE	KIT NO.	SIZE	LIST PRICE
	0887983	RK 007DCDA C	2"	148.00
	0887288	RK 007 C	2 1/2", 3"	405.00
	0887970	RK 007DCDA C	2 1/2", 3"	405.00

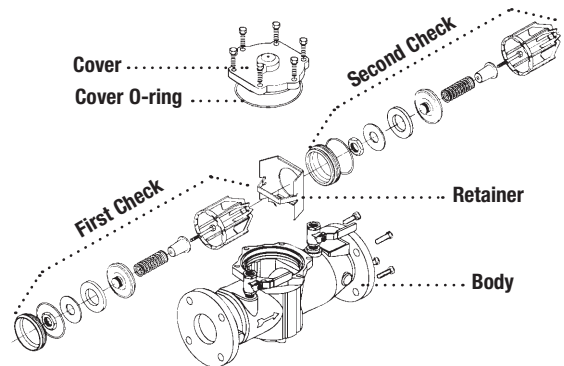
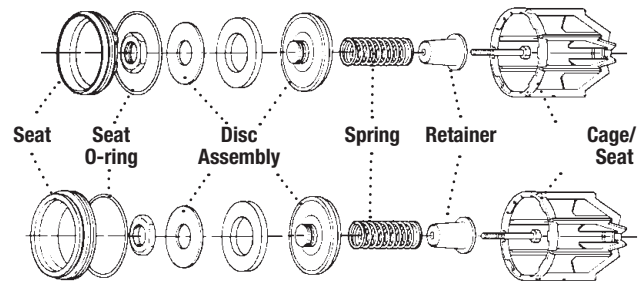
Kit consists of: cover, cover O-ring.

Seat Kit

LEAD FREE	ORDERING CODE	KIT NO.	SIZE	LIST PRICE
	0887984	RK 007DCDA S1	2"	93.75
	0887985	RK 007DCDA S2	2"	93.75
	0887289	RK 007 S1	2 1/2", 3"	101.00
	0887290	RK 007 S2	2 1/2", 3"	101.00
	0887968	RK 007DCDA S1	2 1/2", 3"	101.00
	0887969	RK 007DCDA S2	2 1/2", 3"	101.00

Kit consists of: seat, seat O-ring and cover O-ring.

Check Assemblies



*The wetted surface of this product contacted by consumable water contains less than 0.25% of lead by weight.

Series 709

Double Check Valve Assemblies

Sizes 3/4" – 2"

Repair Kits

When ordering specify Ordering Code, Kit No., and Valve Size.

ORDERING CODE	KIT NO.	SIZE	LIST PRICE
---------------	---------	------	------------

First or Second Check Kits

LEAD FREE*	ORDERING CODE	KIT NO.	SIZE	LIST PRICE
	0887150	RK 709 CK4	3/4" – 1"	\$117.00
	0887151	RK 709 CK4	1 1/2" – 2"	213.00
	0887154	RK 709 CK4SS*	3/4" – 1"	301.00
	0887155	RK 709 CK4SS*	1 1/2" – 2"	422.50

Kit consists of: disc assembly; spring; seat O-ring and cover O-ring.

Complete Rubber Parts

LEAD FREE*	ORDERING CODE	KIT NO.	SIZE	LIST PRICE
	0887152	RK 709 RT	3/4" – 1"	16.25
	0887153	RK 709 RT	1 1/2" – 2"	74.00

Kit consists of: disc assembly; seat O-ring and cover O-ring.

Seat Kits

LEAD FREE*	ORDERING CODE	KIT NO.	SIZE	LIST PRICE
	0887160	RK709 S4	3/4" – 1"	35.50
	0887161	RK709 S4	1 1/2" – 2"	44.25
	0887162	RK709 S4SS*	3/4" – 1"	254.00
	0887163	RK709 S4SS*	1 1/2" – 2"	329.00

Kit consists of: seat; seat O-ring and cover O-ring.

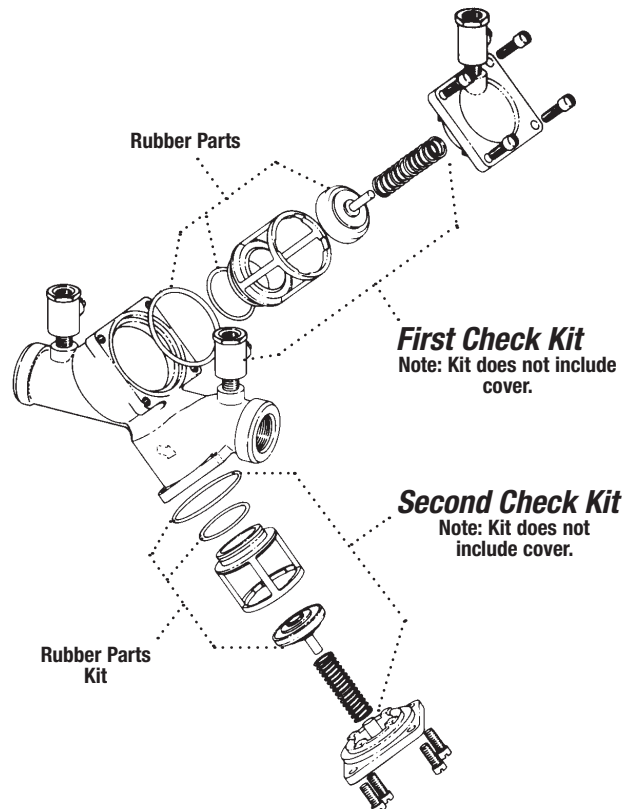
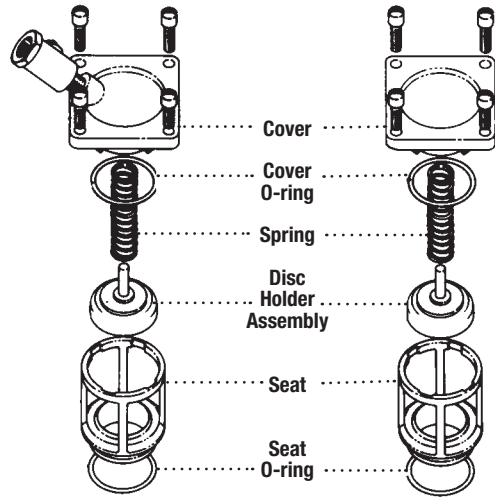
Cover Kits

ORDERING CODE	KIT NO.	SIZE	LIST PRICE
0887156	RK 709C1	3/4" – 1"	81.50
0887157	RK 709C1	1 1/2" – 2"	102.00
0887158	RK 709C2	3/4" – 1"	74.50
0887159	RK 709C2	1 1/2" – 2"	102.00

Kit consists of: cover and cover O-ring.

First Check

Second Check



First Check Kit
Note: Kit does not include cover.

Second Check Kit
Note: Kit does not include cover.

*The wetted surface of this product contacted by consumable water contains less than 0.25% of lead by weight.

Series 709, LF709

Double Check Valve Assemblies

Sizes 2 1/2" – 10"

Repair Kits

When ordering specify Ordering Code, Kit No., and Valve Size.

	ORDERING CODE	KIT NO.	SIZE	LIST PRICE
LEAD FREE*	First or Second Check Kits			
	0794014	LFRK 709 CK4	2 1/2" – 3"	\$478.50
	0794015	LFRK 709 CK4	4"	780.50
	0794016	LFRK 709 CK4	**6"	1,349.00
	0794017	LFRK 709 CK4	8"	2,467.00
0794018	LFRK 709 CK4	10"	3,322.00	

Kit consists of: disc & spring assembly and cover O-ring.

Rubber Parts (for one check)

LEAD FREE*	0887905	RK 709 RC4	2 1/2" – 3"	73.50
	0887906	RK 709 RC4	4"	98.25
	0887907	RK 709 RC4	**6"	112.50
	0887908	RK 709 RC4	8"	135.50
	0887909	RK 709 RC4	10"	185.50

Kit consists of: disc and cover O-ring.

Complete Rubber Parts

LEAD FREE*	0887915	RK 709 RT	2 1/2" – 3"	148.00
	0887916	RK 709 RT	4"	196.50
	0887917	RK 709 RT	**6"	224.00
	0887918	RK 709 RT	8"	271.00
	0887919	RK 709 RT	10"	371.00

Kit consists of: 2 discs and 2 cover O-rings.

Seat Kits

LEAD FREE*	0794019	LFRK 709S	2 1/2" – 3"	192.00
	0794020	LFRK 709S	4"	281.00
	0794021	LFRK 709S	6"	484.00
	0794022	LFRK 709S	8"	1,157.00
	0794023	LFRK 709S	10"	1,351.00

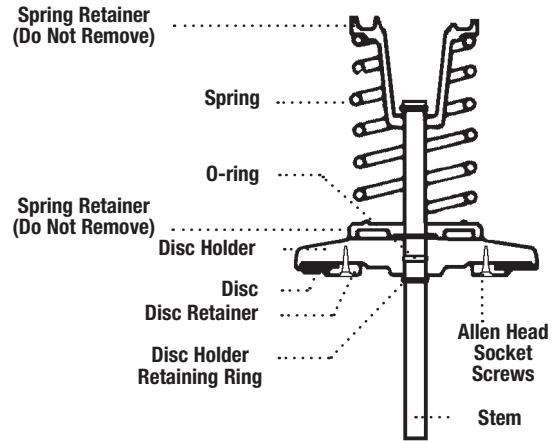
Kit consists of: seat; seat O-ring; cover O-ring and retainer wire.

Cover Kits

LEAD FREE*	0887920	RK 709 C	2 1/2" – 3"	255.50
	0887921	RK 709 C	4"	286.00
	0887922	RK 709 C	6"	399.00
	0887923	RK 709 C	8"	654.50
	0887924	RK 709 C	10"	1,467.00

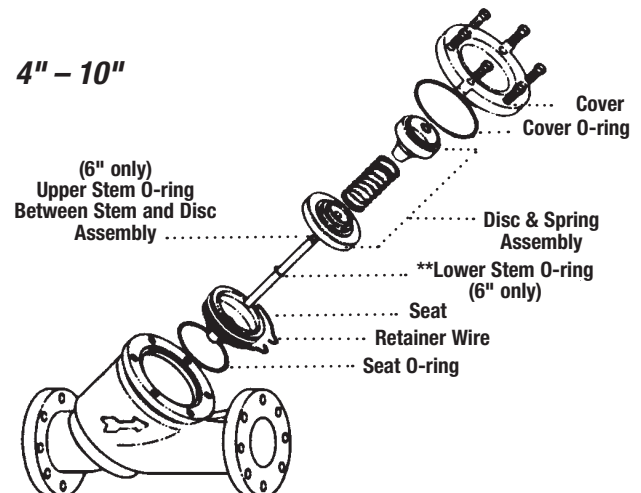
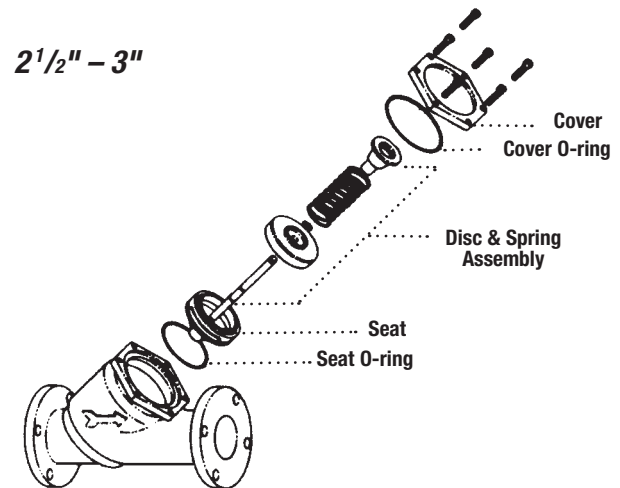
Kit consists of: cover and cover O-ring.

**6" also includes upper and lower stem O-ring



⚠ WARNING

Spring assembly is factory assembled. DO NOT DISASSEMBLE.



*The wetted surface of this product contacted by consumable water contains less than 0.25% of lead by weight.

Series 709DCDA

Double Check Detector Assemblies

Sizes 3" – 10"

Repair Kits

When ordering specify Ordering Code, Kit No., and Valve Size.

ORDERING CODE	KIT NO.	SIZE	LIST PRICE
First Check Kits			
0794024	LFRK 709DCDA-CK1	3"	\$612.50
0794025	LFRK 709DCDA-CK1	4"	853.00
0794026	LFRK 709DCDA-CK1	**6"	1,541.00
0794027	LFRK 709DCDA-CK1	8"	2,785.00
0794028	LFRK 709DCDA-CK1	10"	4,133.00

ORDERING CODE	KIT NO.	SIZE	LIST PRICE
Second Check Kits			
0794029	LFRK 709DCDA-CK2	3"	478.50
0794030	LFRK 709DCDA-CK2	4"	780.50
0794031	LFRK 709DCDA-CK2	**6"	1,349.00
0794032	LFRK 709DCDA-CK2	8"	2,467.00
0794033	LFRK 709DCDA-CK2	10"	3,322.00

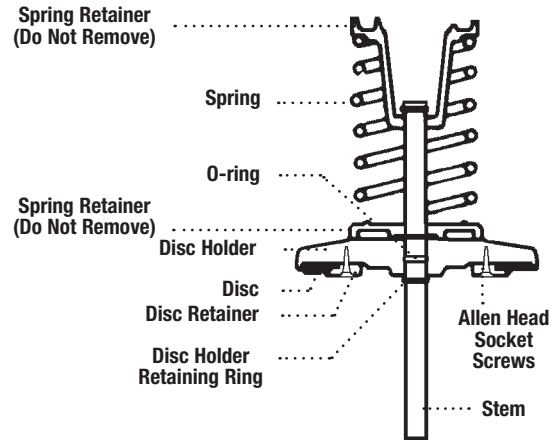
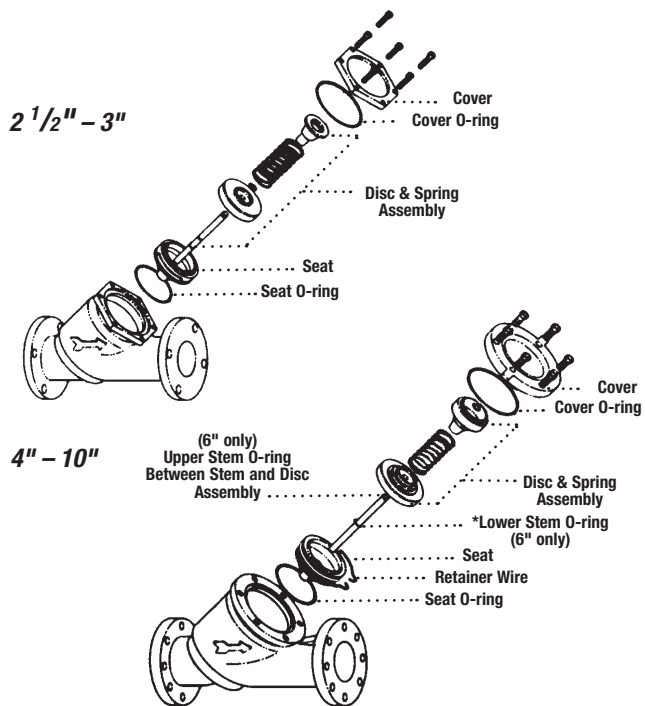
Kit consists of: disc assembly; spring and cover O-ring.

Rubber Parts (for one check)

ORDERING CODE	KIT NO.	SIZE	LIST PRICE
0887940	RK 709DCDA RC4	3"	73.50
0887941	RK 709DCDA RC4	4"	98.25
0887942	RK 709DCDA RC4	**6"	112.50
0887943	RK 709DCDA RC4	8"	135.50
0887944	RK 709DCDA RC4	10"	185.50

Kit consists of: disc and cover O-ring.

**6" also includes lower stem O-ring



WARNING

Spring assembly is factory assembled. DO NOT DISASSEMBLE.

ORDERING CODE	KIT NO.	SIZE	LIST PRICE
Seat Kits			
0794034	LFRK 709DCDA-S	3"	\$192.00
0794035	LFRK 709DCDA-S	4"	281.00
0794036	LFRK 709DCDA-S	6"	484.00
0794037	LFRK 709DCDA-S	8"	1,157.00
0794038	LFRK 709DCDA-S	10"	1,351.00

Kit consists of: seat; seat O-ring; cover O-ring and retainer wire.

ORDERING CODE	KIT NO.	SIZE	LIST PRICE
Cover Kits			
0887950	RK 709DCDA C	3"	260.00
0887951	RK 709DCDA C	4"	291.50
0887952	RK 709DCDA C	6"	406.50
0887953	RK 709DCDA C	8"	667.00
0887954	RK 709DCDA C	10"	1,496.00

Kit consists of: cover and cover O-ring.

ORDERING CODE	KIT NO.	SIZE	LIST PRICE
Complete Rubber Parts			
0887956	RK 709DCDA RT	3"	150.50
0887957	RK 709DCDA RT	4"	200.50
0887958	RK 709DCDA RT	**6"	228.00
0887959	RK 709DCDA RT	8"	276.00
0887960	RK 709DCDA RT	10"	377.50

Kit consists of: 2 discs and 2 cover O-rings.

**6" also includes upper and lower stem O-ring

*The wetted surface of this product contacted by consumable water contains less than 0.25% of lead by weight.

Series 719, LF719

Double Check Valve Assemblies

Sizes 1/2" – 2"

Repair Kits

When ordering specify Ordering Code, Kit No., and Valve Size.

ORDERING CODE	KIT NO.	SIZE	LIST PRICE
---------------	---------	------	------------

Total Repair Kits

LEAD FREE*	ORDERING CODE	KIT NO.	SIZE	LIST PRICE
	0889083	RK 719-T	1/2"	\$75.00
	0889084	RK 719-T	3/4"	108.50
	0889085	RK 719-T	1"	113.00
	0889086	RK 719-T	1 1/4" - 1 1/2"	207.50
	0889087	RK 719-T	2"	212.50

Kit consists of: 2 first or second check repair kits

1st or 2nd Check Kits

LEAD FREE*	ORDERING CODE	KIT NO.	SIZE	LIST PRICE
	0888100	RK 719R10 CK4	1/2" – 3/4"	51.00
	0889060	RK 719 CK4	1/2"	41.75
	0889061	RK 719 CK4	3/4"	60.25
	0889062	RK 719 CK4	1"	62.50
	0888101	RK 719 CK4	1 1/4" - 1 1/2"	115.50
	0888102	RK 719 CK4	2"	118.50

Kit consists of: disc holder, spring and cover O-ring.

1st or 2nd Check Rubber Parts Kits

LEAD FREE*	ORDERING CODE	KIT NO.	SIZE	LIST PRICE
	0888103	RK 719R10 RC4	1/2" – 3/4"	16.25
	0889063	RK 719 RC4	1/2"	12.75
	0889064	RK 719 RC4	3/4"	12.75
	0889065	RK 719 RC4	1"	12.75
	0888104	RK 719 RC4	1 1/4" – 1 1/2"	16.50
	0888105	RK 719 RC4	2"	17.50

Kit consists of: disc rubber, seat O-ring and cover O-ring.

1st or 2nd Check Seat Kits

LEAD FREE*	ORDERING CODE	KIT NO.	SIZE	LIST PRICE
	0888997	RK 719R10 S	1/2" – 3/4"	35.75
	0889069	RK 719 S	1/2"	32.25
	0889070	RK 719 S	3/4"	42.50
	0889071	RK 719 S	1"	43.75
	0888998	RK 719 S	1 1/4" – 1 1/2"	66.75
	0888999	RK 719 S	2"	74.00

Kit consists of: seat, seat O-ring and cover O-ring.

Complete Valve Rubber Parts Kits

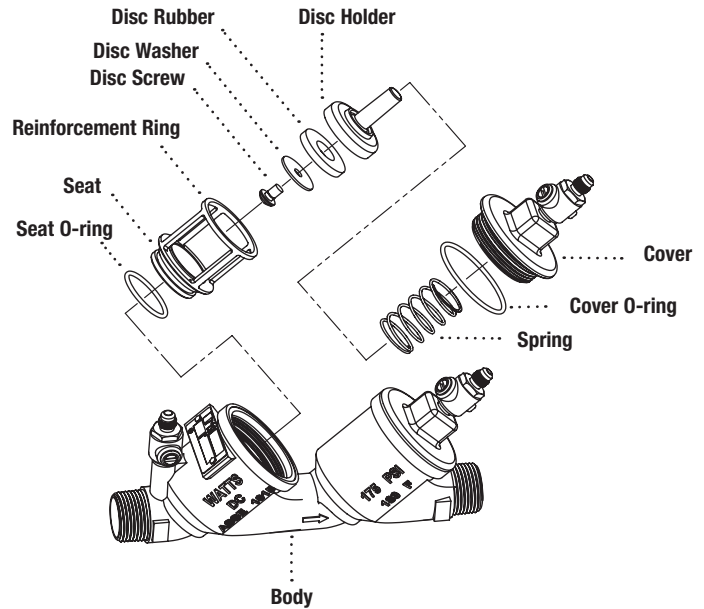
LEAD FREE*	ORDERING CODE	KIT NO.	SIZE	LIST PRICE
	0889078	RK 719 RT	1/2"	50.75
	0889079	RK 719 RT	3/4"	52.50
	0889080	RK 719 RT	1"	63.75
	0889081	RK 719 RT	1 1/4" – 1 1/2"	67.50
	0889082	RK 719 RT	2"	68.75

Kit consists of: 2 check seat O-rings, 2 check cover O-rings, 2 check rubbers.

1st or 2nd Check Cover Kits

LEAD FREE*	ORDERING CODE	KIT NO.	SIZE	LIST PRICE
	0889072	LFRK 719-R10-C	1/2" – 3/4"	85.25
	0794039	LFRK 719 C	1/2"	65.00
	0794040	LFRK 719 C	3/4"	105.00
	0794041	LFRK 719 C	1"	109.50
	0794042	LFRK 719 C	1 1/4" – 1 1/2"	144.50
	0794043	LFRK 719 C	2"	169.50

Kit consists of: cover and cover O-ring.



For 1 1/4" 719R15 models use 1 1/4" - 1 1/2" repair kits.

*The wetted surface of this product contacted by consumable water contains less than 0.25% of lead by weight.

Series 757, 757DCDA, LF757DCDA 757a, 757aDCDA

Double Check Valve Assemblies Double Check Detector Assemblies

Sizes 2 1/2" – 10"

Repair Kits 757, 757DCDA, LF757DCDA

When ordering specify Ordering Code, Kit No., and Valve Size.

ORDERING CODE	KIT NO.	DISC	SIZE	LIST PRICE
---------------	---------	------	------	------------

First Check Kits

LEAD FREE	ORDERING CODE	KIT NO.	DISC	SIZE	LIST PRICE
	7018128	RK 757/757DCDA CK1	Red Silicone	2 1/2" – 4"	\$312.50
	7018131	RK 757/757DCDA CK1	Red Silicone	6"	435.50
	7018134	RK 757/757DCDA CK1	Red Silicone	8"	719.50
	0899200	RK 757/757DCDA CK1	Red Silicone	10"	1,007.00

Kit consists of: first check module, check module O-ring and disc elastomer.

2nd Check Kits

LEAD FREE	ORDERING CODE	KIT NO.	DISC	SIZE	LIST PRICE
	7018130	RK 757/757DCDA CK2	Red Silicone	2 1/2" – 4"	271.50
	7018133	RK 757/757DCDA CK2	Red Silicone	6"	423.00
	0899206	RK 757/757DCDA CK2	Red Silicone	8"	719.50
	0899201	RK 757/757DCDA CK2	Red Silicone	10"	1,007.00

Kit consists of: second check module, check module O-ring and disc elastomer.

1st or 2nd Check Rubber Parts Kits

LEAD FREE	ORDERING CODE	KIT NO.	DISC	SIZE	LIST PRICE
	0899202	RK 757/757DCDA RC4	Red Silicone	2 1/2" – 4"	40.75
	0899203	RK 757/757DCDA RC4	Red Silicone	6"	52.00
	0899204	RK 757/757DCDA RC4	Red Silicone	8"	72.75
	0899205	RK 757/757DCDA RC4	Red Silicone	10"	162.50

Kit consists of: check module O-ring, disc elastomer and E-clip.

Check Sleeve Cover Kits

LEAD FREE	ORDERING CODE	KIT NO.	DISC	SIZE	LIST PRICE
	0899211	RK 757/757DCDA C		2 1/2" – 4"	262.50
	0899212	RK 757/757DCDA C		6"	426.50
	0899213	RK 757/757DCDA C		8"	807.50
	0899214	RK 757/757DCDA C		10"	1,011.00

Kit consists of: closure sleeve, sleeve O-ring and gasket.

Repair Kits 757a, 757aDCDA – Sizes 2 1/2" – 6"

When ordering specify Ordering Code, Kit No., and Valve Size.

ORDERING CODE	KIT NO.	DISC	SIZE	LIST PRICE
---------------	---------	------	------	------------

1st Check Kits

LEAD FREE	ORDERING CODE	KIT NO.	DISC	SIZE	LIST PRICE
	0899250	RK 757a/757aDCDA CK1	EPDM	2 1/2" – 4"	\$312.50
	0899251	RK 757a/757aDCDA CK1	EPDM	6"	435.50

Kit consists of: first check module, check module O-ring, disc elastomer.

2nd Check Kits

LEAD FREE	ORDERING CODE	KIT NO.	DISC	SIZE	LIST PRICE
	0899254	RK 757a/757aDCDA CK2	EPDM	2 1/2" – 4"	271.50
	0899255	RK 757a/757aDCDA CK2	EPDM	6"	423.00

Kit consists of: second check module, check module O-ring, disc elastomer.

1st or 2nd Check Rubber Parts Kits

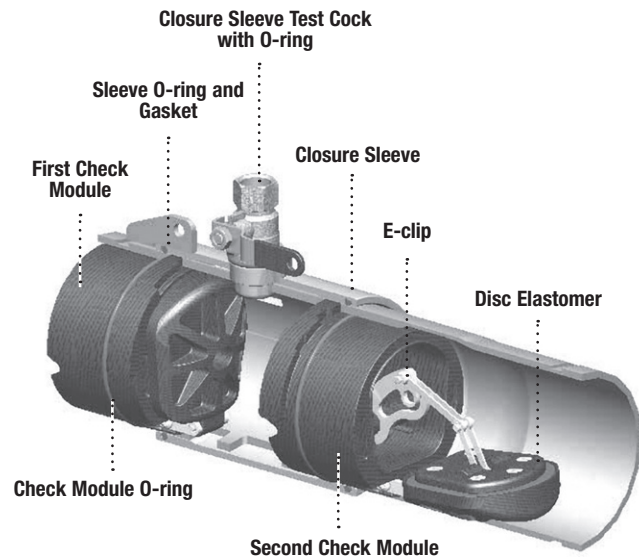
LEAD FREE	ORDERING CODE	KIT NO.	DISC	SIZE	LIST PRICE
	0899258	RK 757a/757aDCDA RC4	EPDM	2 1/2" – 4"	40.75
	0899259	RK 757a/757aDCDA RC4	EPDM	6"	52.00

Kit consists of: check module O-ring, disc elastomer and E-clip.

1st or 2nd Check Cover Kits

LEAD FREE	ORDERING CODE	KIT NO.	DISC	SIZE	LIST PRICE
	0899266	RK 757a/757aDCDA C		2 1/2" – 4"	262.50
	0899267	RK 757a/757aDCDA C		6"	369.00

Kit consists of: closure sleeve, 2 pieces of sleeve O-ring.



*The wetted surface of this product contacted by consumable water contains less than 0.25% of lead by weight.

Series 770, 770DCDA

Double Check Valve Assemblies Double Check Detector Assemblies

Sizes 4" – 8"

Repair Kits 770

When ordering specify Ordering Code, Kit No., and Valve Size.

ORDERING CODE	KIT NO.	SIZE	LIST PRICE
---------------	---------	------	------------

Check Repair Kits

LEAD FREE*	ORDERING CODE	KIT NO.	SIZE	LIST PRICE
	0887070	RK 770 CK4	4"	\$512.00
	0887071	RK 770 CK4	6"	945.00
	0887072	RK 770 CK4	8"	1,656.00

Kit consists of: spring assembly and cover O-ring.

Check Rubber Parts

LEAD FREE*	ORDERING CODE	KIT NO.	SIZE	LIST PRICE
	0887091	RK 770 RC4	4"	1,244.00
	0887092	RK 770 RC4	6"	1,193.00
	0887093	RK 770 RC4	8"	1,165.00

Kit consists of: cover O-ring; bolt O-ring; disc - for one check.

Complete Repair Kits

LEAD FREE*	ORDERING CODE	KIT NO.	SIZE	LIST PRICE
	0887079	RK 770 T	4"	3,055.00
	0887080	RK 770 T	6"	2,976.00
	0887081	RK 770 T	8"	3,824.00

Kit consists of: 2 cover O-rings; 2 bolts O-ring; 2 disc; 2 spring assemblies - for both checks.

Seat Kits

ORDERING CODE	KIT NO.	SIZE	LIST PRICE
0887085	RK 770 S	4"	131.00
0887086	RK 770 S	6"	203.00
0887087	RK 770 S	8"	257.50

Kit consists of: seat; seat O-ring for one check.

Repair Kits 770DCDA

When ordering specify Ordering Code, Kit No., and Valve Size.

ORDERING CODE	KIT NO.	SIZE	LIST PRICE
---------------	---------	------	------------

Check Repair Kits

LEAD FREE*	ORDERING CODE	KIT NO.	SIZE	LIST PRICE
	0887073	RK 770DCDA CK1	4"	\$512.00
	0887075	RK 770DCDA CK1	8"	1,656.00
	0887076	RK 770DCDA CK2	4"	512.00
	0887077	RK 770DCDA CK2	6"	945.00
	0887078	RK 770DCDA CK2	8"	1,656.00

Kit consists of: spring assembly and cover O-ring.

Check Rubber Parts

LEAD FREE*	ORDERING CODE	KIT NO.	SIZE	LIST PRICE
	0887082	RK 770DCDA RC4	4"	1,245.00
	0887083	RK 770DCDA RC4	6"	1,193.00
	0887084	RK 770DCDA RC4	8"	1,162.00

Kit consists of: cover O-ring; bolt O-ring; disc - for one check.

Complete Repair Kit

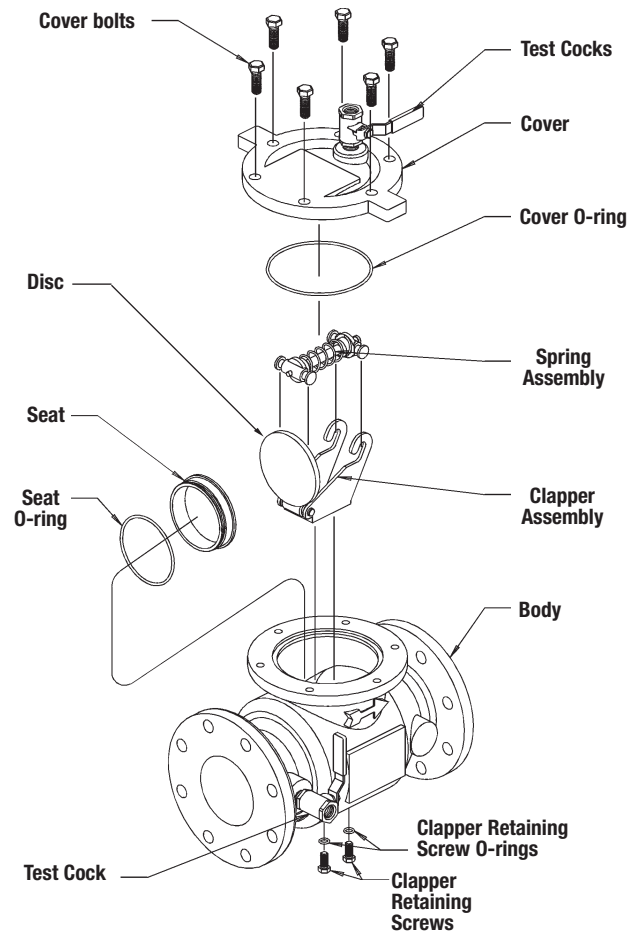
LEAD FREE*	ORDERING CODE	KIT NO.	SIZE	LIST PRICE
	0887088	RK 770DCDA T	4"	3,056.00
	0887089	RK 770DCDA T	6"	3,325.00
	0887090	RK 770DCDA T	8"	3,824.00

Kit consists of: 2 cover O-ring; 2 bolts O-ring; 2 disc; 2 spring assemblies - for both checks.

Seat Kits

ORDERING CODE	KIT NO.	SIZE	LIST PRICE
0887100	RK 770DCDA S	4"	131.00
0887095	RK 770DCDA S	6"	203.00
0887096	RK 770DCDA S	8"	257.50

Kits consist of: seat; seat O-ring - for one check.



*The wetted surface of this product contacted by consumable water contains less than 0.25% of lead by weight.

Series 772, 772DCDA

Double Check Valve Assemblies Double Check Detector Assemblies

Sizes 4" – 10"

Repair Kits 772

Series 772 utilizes 770 repair kits

When ordering specify Ordering Code, Kit No., and Valve Size.

ORDERING CODE	KIT NO.	SIZE	LIST PRICE
1st or 2nd check kits			
0887070	RK 770 CK4	4"	\$512.00
0887071	RK 770 CK4	6" – 8"	945.00
0887072	RK 770 CK4	10"	1,656.00

Kit consists of: spring assembly and cover O-ring.

Check Rubber Parts

ORDERING CODE	KIT NO.	SIZE	LIST PRICE
0887091	RK 770 RC4	4"	1,244.00
0887092	RK 770 RC4	6" – 8"	1,193.00
0887093	RK 770 RC4	10"	1,165.00

Kit consists of: cover O-ring; bolt O-ring; disc - for one check.

Complete Repair Kits

ORDERING CODE	KIT NO.	SIZE	LIST PRICE
0887079	RK 770 T	4"	3,055.00
0887080	RK 770 T	6" – 8"	2,976.00
0887081	RK 770 T	10"	3,824.00

Kit consists of: 2 cover O-rings; 2 discs; 2 spring assembly; 2 bolt O-ring - for both checks.

Seat Kits

ORDERING CODE	KIT NO.	SIZE	LIST PRICE
0887085	RK 770 S	4"	131.00
0887086	RK 770 S	6" – 8"	203.00
0887087	RK 770 S	10"	257.50

Kit consists of: seat; seat O-ring - for one check.

Repair Kits 772DCDA

Series 772 utilizes 770 repair kits

ORDERING CODE	KIT NO.	SIZE	LIST PRICE
1st or 2nd check kits			
0887073	RK 770DCDA CK1	4"	\$512.00
0887075	RK 770DCDA CK1	10"	1,656.00
0887076	RK 770DCDA CK2	4"	512.00
0887077	RK 770DCDA CK2	6" – 8"	945.00
0887078	RK 770DCDA CK2	10"	1,656.00

Kit consists of: spring assembly and cover O-ring.

Check Rubber Parts

ORDERING CODE	KIT NO.	SIZE	LIST PRICE
0887082	RK 770 DCDA RC4	4"	1,245.00
0887083	RK 770 DCDA RC4	6" – 8"	1,193.00
0887084	RK 770 DCDA RC4	10"	1,162.00

Kit consists of: cover O-ring; bolt O-ring; disc - for one check.

Complete Repair Kits

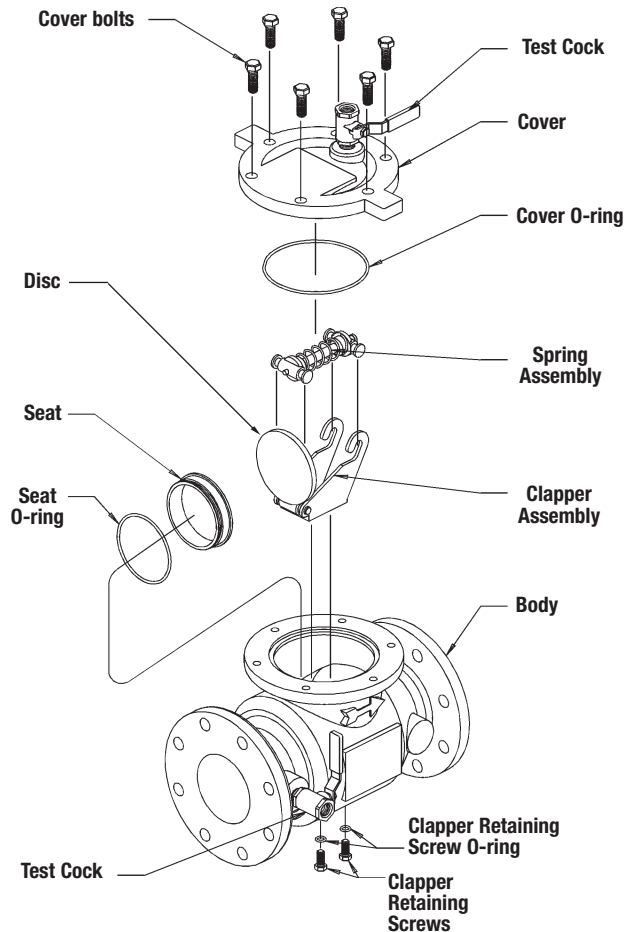
ORDERING CODE	KIT NO.	SIZE	LIST PRICE
0887088	RK 770 DCDA T	4"	3,056.00
0887089	RK 770 DCDA T	6" – 8"	3,325.00
0887090	RK 770 DCDA T	10"	3,824.00

Kit consists of: 2 cover O-rings; 2 discs; 2 spring assembly; 2 bolt O-ring - for both checks.

Seat Kits

ORDERING CODE	KIT NO.	SIZE	LIST PRICE
0887100	RK 770DCDA S	4"	131.00
0887095	RK 770DCDA S	6" – 8"	203.00
0887096	RK 770DCDA S	10"	257.50

Kit consists of: seat; seat O-ring - for one check.



*The wetted surface of this product contacted by consumable water contains less than 0.25% of lead by weight.

Series 773, 773DCDA

Double Check Valve Assemblies Double Check Detector Assemblies

Size 6"

Repair Kits 773

When ordering specify Ordering Code, Kit No., and Valve Size.

ORDERING CODE	KIT NO.	SIZE	LIST PRICE
---------------	---------	------	------------

First or Second Check Kit

0888428	RK 773 CK4	6"	\$1,196.00
---------	------------	----	------------

Kit consists of: disc & spring assembly and cover O-ring.

First or Second Check Rubber Parts Kit

LEAD FREE 0888429	RK 773 RC4	6"	119.50
--------------------------	------------	----	--------

Kit consists of: disc; seat O-ring and cover O-ring.

Seat Kit for Check

0888430	RK 773 S	6"	429.00
---------	----------	----	--------

Kit consists of: seat; seat O-ring; cover O-ring and retainer wire.

Cover Kit

LEAD FREE 0888431	RK 773 C	6"	425.00
--------------------------	----------	----	--------

Kit consists of: cover and cover O-ring.

Repair Kits 773DCDA

When ordering specify Ordering Code, Kit No., and Valve Size.

ORDERING CODE	KIT NO.	SIZE	LIST PRICE
---------------	---------	------	------------

First Check Kit

0888432	RK 773DCDA CK1	6"	\$1,367.00
---------	----------------	----	------------

Second Check Kit

0888433	RK 773DCDA CK2	6"	1,196.00
---------	----------------	----	----------

Kit consists of: disc & spring assembly and cover O-ring.

First or second check Rubber Parts Kit

LEAD FREE 0888434	RK 773DCDA RC4	6"	119.50
--------------------------	----------------	----	--------

Kit consists of: disc; seat O-ring and cover O-ring.

Seat Kit for Check

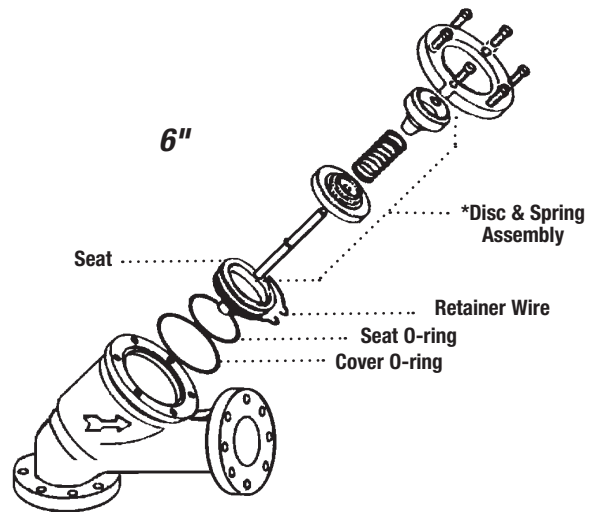
0888435	RK 773DCDA S	6"	429.00
---------	--------------	----	--------

Kit consists of: seat; seat O-ring; cover O-ring and retainer wire.

Cover Kit

LEAD FREE 0888436	RK 773DCDA C	6"	425.00
--------------------------	--------------	----	--------

Kit consists of: cover and cover O-ring.



⚠ WARNING

Spring assembly is factory assembled. DO NOT DISASSEMBLE.

No special tools required to service Series 773

Series 774, 774DCDA, 774X, 774XDCDA

Double Check Valve Assemblies Double Check Detector Assemblies

Sizes 2 1/2" – 12"

Repair Kits

When ordering specify Ordering Code, Kit No., and Valve Size.

ORDERING CODE	KIT NO.	SIZE	FOR USE WITH MODEL #S	LIST PRICE
---------------	---------	------	-----------------------	------------

First Check Kit

LEAD FREE	0888820	RK 774/774DCDA CK 1	2 1/2", 3", 4"	2 1/2"-4" 774/774DCDA/6" 774X/774XDCDA	\$297.50
	0888821	RK 774/774DCDA CK 1	6"	6" 774/774DCDA/8" 774X/774XDCDA	317.00
	0888827	RK 774/774DCDA CK4	8" – 12"	774/774DCDA	913.00

Kit consists of: complete #1 cam check with check O-ring.

Second Check Kit

LEAD FREE	0888822	RK 774/774DCDA CK 2	2 1/2", 3", 4"	2 1/2"-4" 774/774DCDA/6" 774X/774XDCDA	297.50
	0888823	RK 774/774DCDA CK 2	6"	6" 774/774DCDA/8" 774X/774XDCDA	317.00
	0888827	RK 774/774DCDA CK4	8" – 12"	774/774DCDA	913.00

Kit consists of: complete #2 cam check with check O-ring.

Cover Kit

LEAD FREE	0888824	RK 774/774DCDA C	2 1/2", 3", 4"	2 1/2"-4" 774/774DCDA	340.00
	0888825	RK 774/774DCDA C	6"	6" 774/774DCDA/8" 774X/774XDCDA	506.00
	0888826	RK 774X/774XDCDA C	6"	6" 774X/774XDCDA	390.00
	0888828	RK 774/774DCDA C	8" – 12"	774/774DCDA	648.50

Kit consists of: cover; grooved coupler & gasket.

For 6" 774X 1st & 2nd check, use RK 774 CK1 & CK2 4"

For 8" 774X 1st & 2nd check, use RK 774 CK1 & CK2 6"

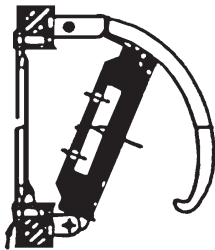
For 8" 774X cover kit, use RK 774 C 6"

For 6" 774XDCDA 1st & 2nd check, use RK 774DCDA CK1 & CK2 4"

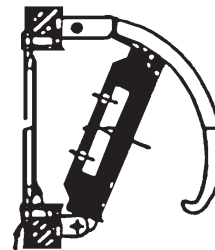
For 8" 774XDCDA 1st & 2nd check, use RK 774DCDA CK1 & CK2 6"

For 8" 774XDCDA cover kit, use RK 774DCDA C 6"

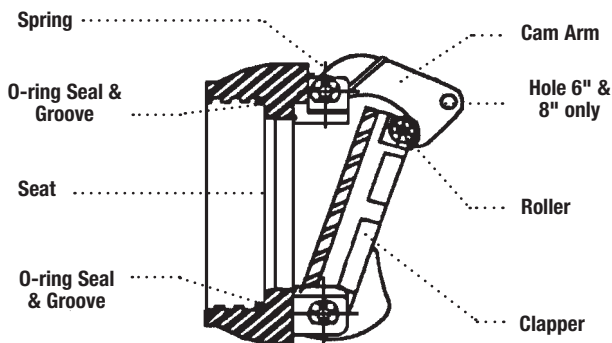
First Check 8" – 12"



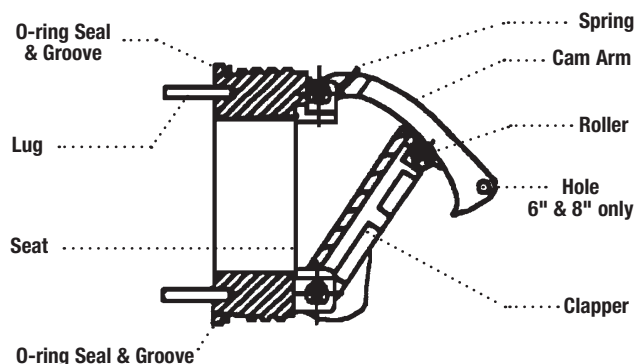
Second Check 8" – 12"



First Check 2 1/2" – 6"



Second Check 2 1/2" – 6"



*The wetted surface of this product contacted by consumable water contains less than 0.25% of lead by weight.

Series 775

Double Check Valve Assemblies

Sizes 1/2" – 2"

Repair Kits

When ordering specify Ordering Code, Kit No., and Valve Size.

	ORDERING CODE	KIT NO.	SIZE	LIST PRICE
1st Check Kits				
LEAD FREE	0888560	RK 775 CK1	1/2" – 3/4"	\$30.00
	0888561	RK 775 CK1	1"	61.50

Kit consists of: disc assembly; seat; seat O-ring; spring; cage and cover O-ring.

2nd Check Kits				
LEAD FREE	0888564	RK 775 CK2	1/2" – 3/4"	30.00
	0888565	RK 775 CK2	1"	61.50

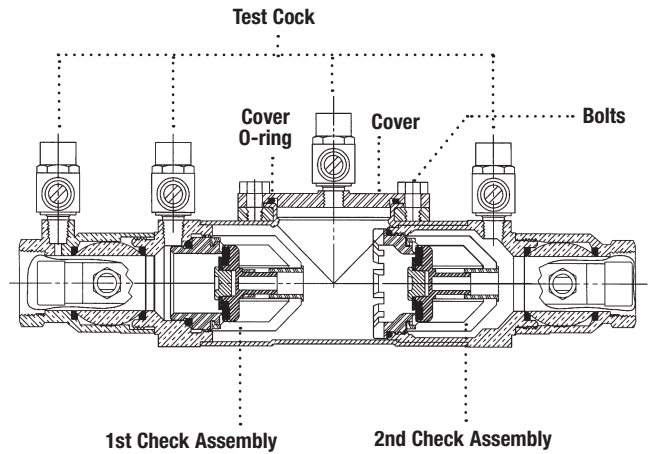
Kit consists of: disc assembly; seat; seat O-ring; spring; cage and cover O-ring.

	ORDERING CODE	KIT NO.	SIZE	LIST PRICE
Rubber Parts Kits				
LEAD FREE	0888568	RK 775 RT	1/2" – 3/4"	25.75
	0888569	RK 775 RT	1"	25.75
	0888570	RK 775 RT	1 1/4" – 1 1/2"	36.00
	0888571	RK 775 RT	2"	36.00

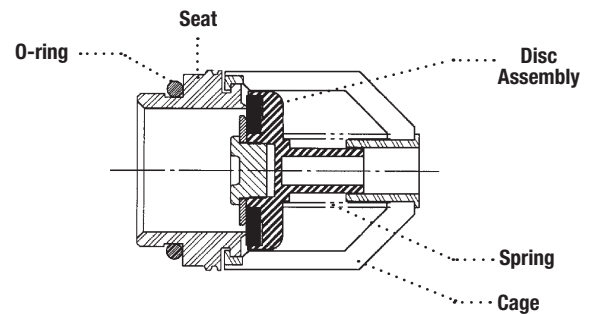
Kit consists of: 2 disc assemblies; 2 seat O-rings and cover O-ring.

	ORDERING CODE	KIT NO.	SIZE	LIST PRICE
Cover Kits				
LEAD FREE	0888572	RK 775C	1/2" – 3/4"	70.50
	0888573	RK 775C	1"	102.00

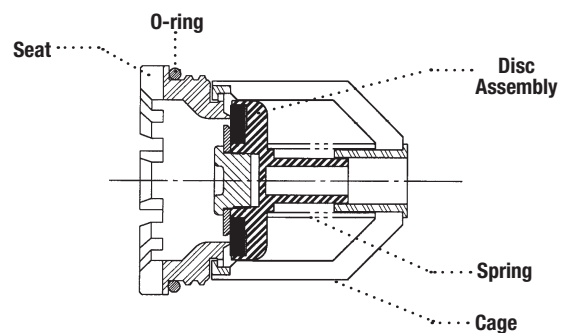
Kit consists of: cover and cover O-ring.



1st Check



2nd Check



*The wetted surface of this product contacted by consumable water contains less than 0.25% of lead by weight.

Series 775, 775DCDA

Double Check Valve Assemblies

Double Check Detector Assemblies

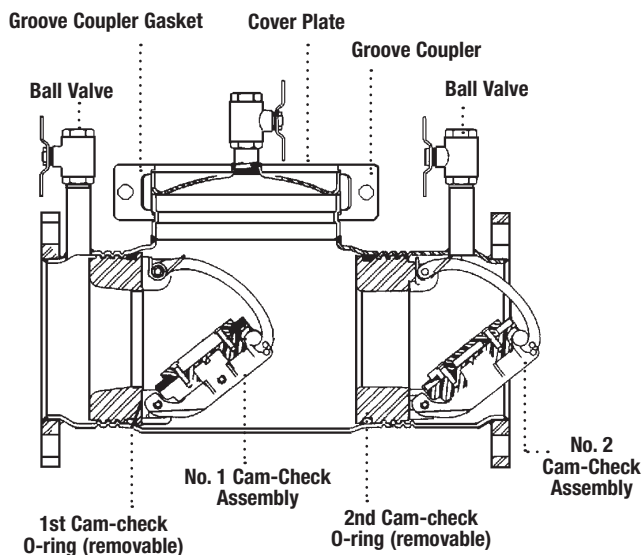
Sizes 3" – 8"

Repair Kits

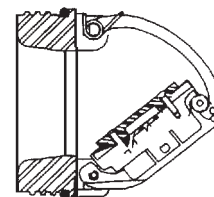
When ordering specify Ordering Code, Kit No., and Valve Size.

1 Single & Double Check Assemblies

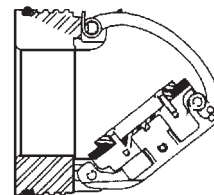
	ORDERING CODE	KIT NO.	SIZE	FOR USE WITH MODEL #'S	LIST PRICE
First Check Kit					
LEAD FREE	0888900	RK 775/775DCDA CK 1	3" – 4"	3" – 4" 775/775DCDA/N775/N775DCDA	\$439.50
	0888901	RK 775/775DCDA CK 1	6" – 8"	6" – 8" 775/775DCDA/N775/N775DCDA	609.00
Kit consists of: complete No. 1 check assembly with check O-ring.					
Second Check Kit					
LEAD FREE	0888902	RK 775/775DCDA CK 2	3" – 4"	3" – 4" 775/775DCDA/N775/N775DCDA	575.00
	0888903	RK 775/775DCDA CK 2	6" – 8"	6" – 8" 775/775DCDA/N775/N775DCDA	774.00
Kit consists of: complete No. 2 check assembly with check O-ring.					
Cover Kit					
LEAD FREE	0888904	RK 775/775DCDA C	3" – 4"	3" – 4" 775/775DCDA/N775/N775DCDA	271.00
	0888905	RK 775/775DCDA C	6" – 8"	6" – 8" 775/775DCDA/N775/N775DCDA	507.50
Kit consists of: cover; grooved coupler & gasket.					
First Check Rubber Parts Kit					
LEAD FREE	0888906	RK 775/775DCDA RC1	3" – 4"	3" – 4" 775/775DCDA/N775/N775DCDA	20.75
	0888907	RK 775/775DCDA RC1	6" – 8"	6" – 8" 775/775DCDA/N775/N775DCDA	29.50
Kit consists of: first check assembly O-ring and check disc.					
Second Check Rubber Parts Kit					
LEAD FREE	0888908	RK 775/775DCDA RC2	3" – 4"	3" – 4" 775/775DCDA/N775/N775DCDA	32.00
	0888909	RK 775/775DCDA RC2	6" – 8"	6" – 8" 775/775DCDA/N775/N775DCDA	46.50
Kit consists of: second check assembly O-ring and check disc.					
Rubber Total Parts Kit					
LEAD FREE	0888910	RK 775/775DCDA RT	3" – 4"	3" – 4" 775/775DCDA/N775/N775DCDA	46.75
	0888911	RK 775/775DCDA RT	6" – 8"	6" – 8" 775/775DCDA/N775/N775DCDA	52.50
Kit consists of: first and second check assembly O-ring; and first and second check disc.					



No. 1 Check Assembly



No. 2 Check Assembly



*The wetted surface of this product contacted by consumable water contains less than 0.25% of lead by weight.

Troubleshooting Guide

Double Check Valve Assemblies, Double Check Detector Assemblies

PROBLEM	CAUSE	Should valve be replaced?	SOLUTION
A. Double check valve fails to hold 1.0 PSID minimum.			
	A-1 Debris on check disc sealing surface.	No	Check valve must be disassembled and cleaned
	A-2 Leaking gate valve	No	Gate valve must be disassembled and cleaned
	A-3 Damaged seat disc or seat O-ring	No	Disassemble damage check and replace
	A-4 Damaged guide holding check open	No	Disassemble and clean or replace if necessary
	A-5 Weak or broken spring	No	Check valve must be disassembled and spring replaced
B Chatter during flow conditions			
	B-1 Worn, damaged or defective guide	No	Disassemble and repair or replace guide
C. Low flows passing through mainline valve (DCDA only)			
	C-1 Check(s) on mainline are fouled	No	Mainline check(s) must be disassembled and cleaned
	C-2 Meter strainer on bypass line is plugged	No	Strainer must be disassembled and cleaned
	C-3 Mainline seat disc or seat is damage	No	Disassemble damage seat disc or seat and replace
	C-4 Broken mainline spring	No	Mainline check must be disassembled and spring replaced

Series 009, LF009

Reduced Pressure Zone Assemblies

Sizes 1/4" - 1"

Repair Kits

When ordering specify Ordering Code, Kit No., and Valve Size.

ORDERING CODE	KIT NO.	SIZE	LIST PRICE
---------------	---------	------	------------

Total Repair Kits

ORDERING CODE	KIT NO.	SIZE	LIST PRICE
0887298	RK 009-T	1/4" - 1/2"	\$136.00
0888527	RK 009M3-T	3/4"	140.00
0887302	RK 009M2-T	3/4"	140.00
0887283	RK 009-T	3/4" - 1"	225.50
0887793	RK 009M2-T	1"	217.00

Kit consists of: relief valve repair kit, first check repair kit, second check repair kit, retainer (if plastic)

Relief Valve Kits

Total Relief Valve Kits

ORDERING CODE	KIT NO.	SIZE	LIST PRICE
0887294	RK 009 VT	1/4" - 1/2"	\$98.00
0887509	RK SS009 VT	1/2"	99.75
0887002	RK 009M2 VT	3/4"	123.00
0887520	RK SS009M2/M3 VT	1/4" - 3/4"	125.50
0888524	RK 009M3 VT	3/4"	123.00
0887015	RK 009 VT	3/4" - 1"	174.50
0887503	RK SS009VT	1"	171.50
0887785	RK 009M2 VT	1"	168.00

Kit consists of: seat, seat O-ring, stem & diaphragm assembly, stem O-ring, cover O-ring and RV spring.

Relief Valve Rubber Parts Kits

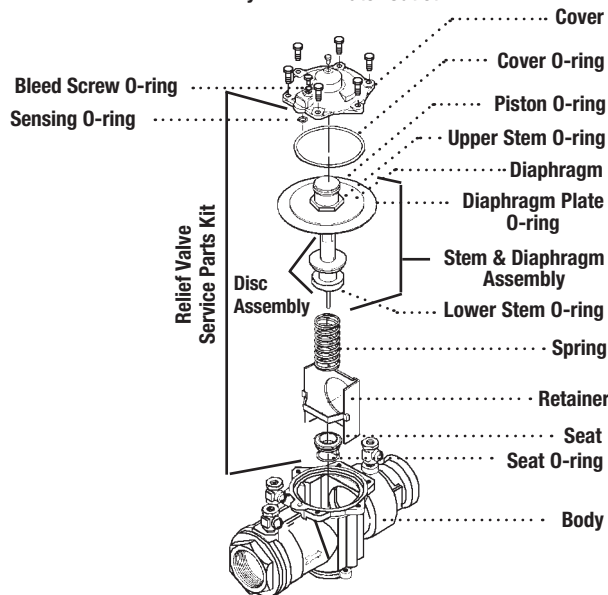
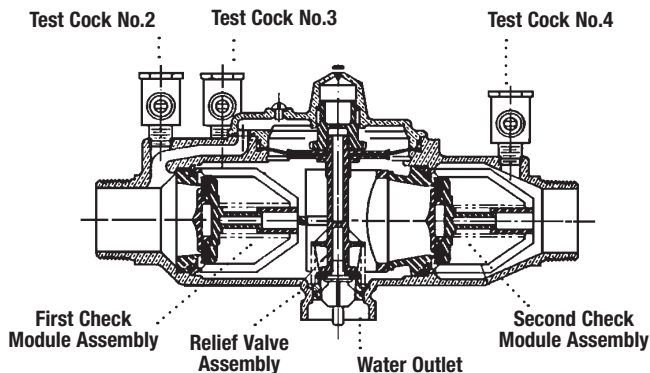
ORDERING CODE	KIT NO.	SIZE	LIST PRICE
0887295	RK 009 RV	1/4" - 1/2"	42.00
0887510	RK SS009 RV	1/2"	43.25
0886998	RK 009M2 RV	3/4"	47.75
0887519	RK SS009M2/M3 RV	1/4" - 3/4"	51.00
0888523	RK 009M3 RV	3/4"	47.75
0887181	RK 009 RV	3/4" - 1"	49.25
0887529	RK SS009 RV	3/4" - 1"	51.00
0887786	RK 009M2 RV	1"	47.75

Kit consists of: diaphragm, disc assembly, stem O-rings, seat O-ring and cover O-ring.

Total Rubber Parts Kits

ORDERING CODE	KIT NO.	SIZE	LIST PRICE
0887297	RK 009 RT	1/4" - 1/2"	66.75
0887511	RK SS009 RT	1/2"	68.00
0886999	RK 009M2 RT	3/4"	71.00
0887521	RK SS009M2 RT	1/4" - 3/4"	76.25
0888597	RK SS009M3 RT	1/4" - 3/4"	76.25
0888526	RK 009M3 RT	3/4"	74.00
0887182	RK 009 RT	3/4" - 1"	74.00
0887530	RK SS009 RT	1"	76.25
0887787	RK 009M2 RT	1"	71.00

Kit consists of: diaphragm, two disc assemblies, stem O-rings, cover O-ring, two seat O-rings and RV seat O-ring.



ORDERING CODE	KIT NO.	SIZE	LIST PRICE
---------------	---------	------	------------

Cover Kits

ORDERING CODE	KIT NO.	SIZE	LIST PRICE
0794044	LFRK 009 C	1/4" - 1/2"	\$62.75
0887500	RK SS009 C	1/2"	176.50
0887013	RK 009 C	3/4" - 1"	99.75
0887501	RK SS009M2/M3 C	1/4" - 3/4"	196.50
0794045	LFRK 009M2/M3 C	3/4"	69.75
0887502	RK SS009 C	1"	285.50
0794046	LFRK 009M2 C	1"	110.50

Kit consists of: cover and cover O-ring.

*The wetted surface of this product contacted by consumable water contains less than 0.25% of lead by weight.

2

Reduced Pressure Zone Assemblies

Series 009, LF009

Reduced Pressure Zone Assemblies

Sizes 1 1/4" – 2"

Repair Kits

When ordering specify Ordering Code, Kit No., and Valve Size.

ORDERING CODE	KIT NO.	SIZE	LIST PRICE
---------------	---------	------	------------

Total Repair Kits

LEAD FREE	ORDERING CODE	KIT NO.	SIZE	LIST PRICE
	0887794	RK 009M2-T	1 1/4"– 1 1/2"	\$346.50
	0887284	RK 009-T	1 1/4"– 2"	443.00
	0887269	RK 009M1-T	1 1/4"– 2"	429.00
LEAD FREE	0887795	RK 009M2-T	2"	421.50

Kit consists of: relief valve repair kit, first check repair kit, second check repair kit, retainer (if plastic)

Relief Valve Kits

Relief Valve Total Kits

LEAD FREE	ORDERING CODE	KIT NO.	SIZE	LIST PRICE
	0887307	RK 009M2 VT	1 1/4"– 1 1/2"	\$ 228.00
	0887277	RK 009M1 VT	1 1/4"– 2"	323.00
	0887016	RK 009 VT	1 1/4"– 2"	336.00
LEAD FREE	0887545	RK 009M2 VT	2"	317.00

Kit consists of: RV assembly, seat, seat O-ring, cover O-ring, sensing passage O-ring and upper stem O-ring and RV spring.

Relief Valve Rubber Parts Kits

LEAD FREE	ORDERING CODE	KIT NO.	SIZE	LIST PRICE
	0887306	RK 009M2 RV	1 1/4"– 1 1/2"	55.75
	0887276	RK 009M1 RV	1 1/4"– 2"	58.25
	0887184	RK 009 RV	1 1/4"– 2"	62.75
LEAD FREE	0887544	RK 009M2 RV	2"	57.00

Kit consists of: diaphragm, seat O-ring, cover O-ring and sensing passage O-ring.

Complete Rubber Parts Kits

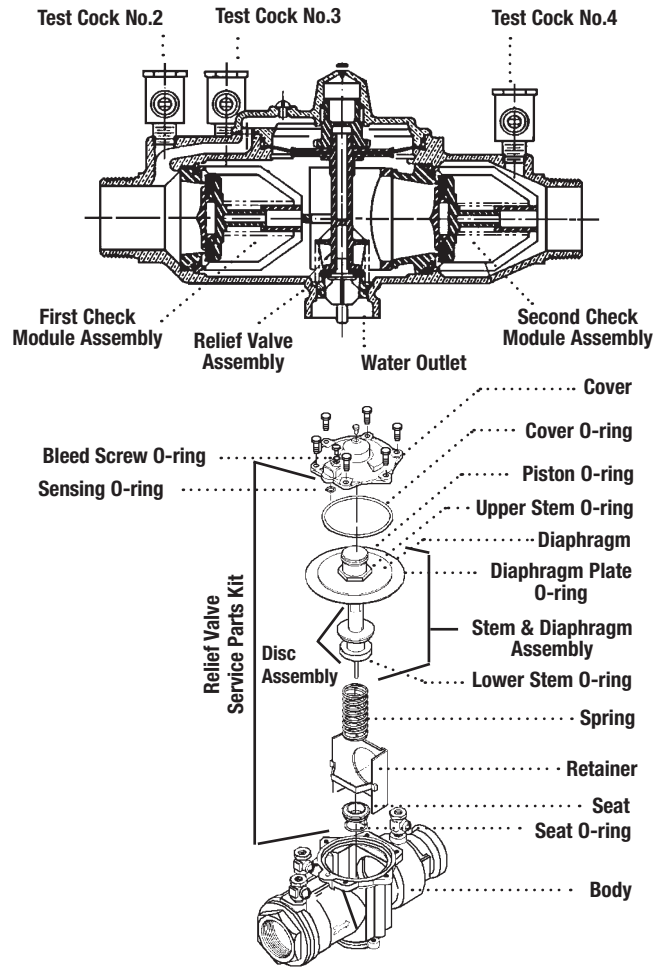
LEAD FREE	ORDERING CODE	KIT NO.	SIZE	LIST PRICE
	0887309	RK 009M2 RT	1 1/4"– 1 1/2"	110.00
	0887185	RK 009 RT	1 1/4"– 2"	154.00
	0887280	RK 009M1 RT	1 1/4"– 2"	119.00
LEAD FREE	0887547	RK 009M2 RT	2"	111.50

Kit consists of: two check assembly O-rings, two disc assemblies, one cover O-ring, one RV diaphragm, one RV seat O-ring, one sensing passage O-ring, one diaphragm plate O-ring, one RV lower stem O-ring, one RV upper stem O-ring, one RV disc assembly and one bleed screw O-ring.

Cover Kits

LEAD FREE	ORDERING CODE	KIT NO.	SIZE	LIST PRICE
	0794047	LFRK 009M2 C	1 1/4"– 1 1/2"	141.50
	0794048	LFRK 009M2 C	2" 009M2, 1 1/4" - 2" 009/009M1	160.00

Kit consists of: cover, cover O-ring sensing passage O-ring, bleed screw O-ring, vent hood and bleed screw.



2

Reduced Pressure Zone Assemblies

*The wetted surface of this product contacted by consumable water contains less than 0.25% of lead by weight.

Series 009, LF009

Reduced Pressure Zone Assemblies

Sizes 1/4" – 2"

Check valve kits

When ordering specify Ordering Code, Kit No., and Valve Size.

1/4" – 1"

ORDERING CODE	KIT NO.	SIZE	LIST PRICE
---------------	---------	------	------------

First Check Kits

0887291	RK 009 CK1	1/4" – 1/2"	\$42.00
0887505	RK SS009 CK1	1/2" – 3/4"	43.25
0887000	RK 009M2 CK1	3/4"	35.25
0887515	RK SS009M3 CK1	1/4" – 3/4"	35.75
0888520	RK 009M3 CK1	3/4"	35.25
0887005	RK 009 CK1	3/4" – 1"	66.25
0887009	RK 009 CK1SS	3/4" – 1"	245.50
0887525	RK SS009 CK1	1"	65.00
0887789	RK 009 M2 CK1	1"	64.00

Kit consists of: check assembly and cover O-ring.

Second Check Kits

0887292	RK 009 CK2	1/4" – 1/2"	41.00
0887506	RK SS009 CK2	1/2" – 3/4"	41.75
0887001	RK 009M2 CK2	3/4"	29.00
0887516	RK SS009M3 CK2	1/4" – 3/4"	29.50
0888521	RK 009M3 CK2	3/4"	29.00
0887007	RK 009 CK2	3/4" – 1"	60.25
0887011	RK 009 CK2SS	3/4" – 1"	211.50
0887526	RK SS009 CK2	1"	59.25
0887790	RK 009M2 CK2	1"	58.25

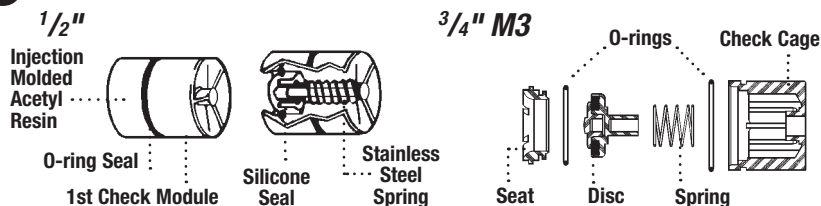
Kit consists of: check assembly and cover O-ring.

Check Rubber Parts

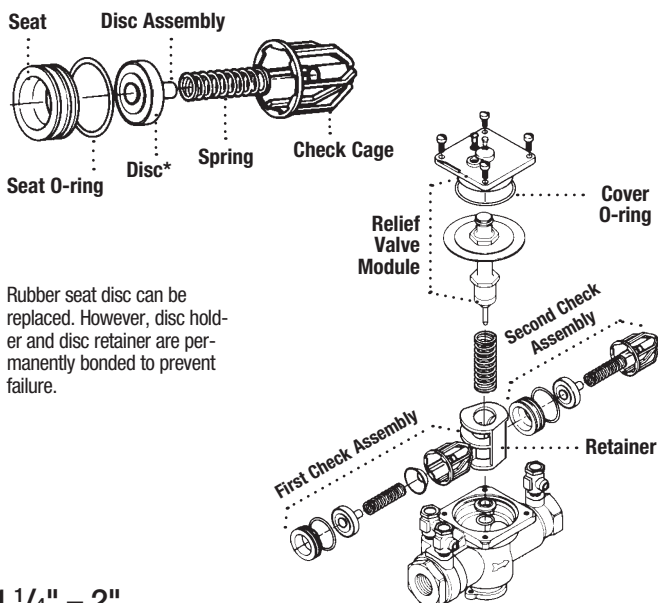
0887293	RK 009 RC3	1/4" – 1/2"	25.00
0887507	RK SS009 RC1	1/2" – 3/4"	25.50
0887508	RK SS009 RC2	1/2" – 3/4"	25.50
0887003	RK 009M2 RC3	3/4"	24.00
0888595	RK SS009M3 RC1	1/4" – 3/4"	25.50
0888596	RK SS009M3 RC2	1/4" – 3/4"	25.50
0888522	RK 009M3 RC3	3/4"	24.00
0887017	RK 009 RC1	3/4" – 1"	12.75
0887180	RK 009 RC2	3/4" – 1"	12.75
0887527	RK SS009 RC1	1"	13.00
0887528	RK SS009 RC2	1"	13.00
0887791	RK 009M2 RC1	1"	12.50
0887792	RK 009M2 RC2	1"	12.50

Kit consists of: disc, cover O-ring and seat O-ring.

CHECK ASSEMBLIES



1" – 2"



Rubber seat disc can be replaced. However, disc holder and disc retainer are permanently bonded to prevent failure.

1 1/4" – 2"

ORDERING CODE	KIT NO.	SIZE	LIST PRICE
---------------	---------	------	------------

First Check Kits

0887300	RK 009M2 CK1	1 1/4" – 1 1/2"	\$121.50
0887270	RK 009M1 CK1	1 1/4" – 2"	132.50
0887006	RK 009 CK1	1 1/4" – 2"	135.00
0887010	RK 009 CK1SS	1 1/4" – 2"	350.00
0887272	RK 009M1 CK1SS	1 1/4" – 2"	336.00
0887540	RK 009M2 CK1	2"	130.00

Kit consists of: first check assembly, cover O-ring and sensing passage O-ring.

Second Check Kits

0887301	RK 009M2 CK2	1 1/4" – 1 1/2"	113.50
0887271	RK 009M1 CK2	1 1/4" – 2"	118.00
0887008	RK 009 CK2	1 1/4" – 2"	120.00
0887012	RK 009 CK2SS	1 1/4" – 2"	302.00
0887273	RK 009M1 CK2SS	1 1/4" – 2"	290.50
0887541	RK 009M2 CK2	2"	115.50

Kit consists of: second check assembly, cover O-ring and sensing passage O-ring.

First Check Rubber Parts Kits

0887304	RK 009M2 RC1	1 1/4" – 1 1/2"	25.75
0887274	RK 009M1 RC1	1 1/4" – 2"	30.75
0887018	RK 009 RC1	1 1/4" – 2"	45.50
0887542	RK 009M2 RC1	2"	27.25

Kit consists of: first check assembly O-ring, disc holder assembly, cover O-ring and sensing passage O-ring.

Second Check Rubber Parts Kits

0887305	RK 009M2 RC2	1 1/4" – 1 1/2"	25.75
0887275	RK 009M1 RC2	1 1/4" – 2"	30.75
0887183	RK 009 RC2	1 1/4" – 2"	45.75
0887543	RK 009M2 RC2	2"	27.25

Kit consists of: second check assembly O-ring, disc holder assembly, cover O-ring and sensing passage O-ring.

*The wetted surface of this product contacted by consumable water contains less than 0.25% of lead by weight.

2

Reduced Pressure Zone Assemblies

Series 009, LF009

Reduced Pressure Zone Assemblies

Sizes 2 1/2" – 3"

Repair Kits

When ordering specify Ordering Code, Kit No., and Valve Size.

ORDERING CODE	KIT NO.	SIZE	LIST PRICE
---------------	---------	------	------------

Total Repair Kits»

LEAD FREE	0794051	LFRK 009-T	2 1/2" – 3"	\$1,368.00
-----------	---------	------------	-------------	------------

Kit consists of: relief valve repair kit, first check repair kit, second check repair kit, retainer (if plastic)

Relief Valve Kits

Total Relief Valve Kit»

LEAD FREE	0794052	LFRK 009 VT	2 1/2" – 3"	744.50
-----------	---------	-------------	-------------	--------

Kit consists of: seat, stem assembly, spring, two piston O-rings, flow tube O-ring and cover O-ring.

Relief Valve Rubber Parts»

LEAD FREE	0794053	LFRK 009 RV	2 1/2" – 3"	134.50
-----------	---------	-------------	-------------	--------

Kit consists of: diaphragm, disc, molded disc assembly, piston O-ring, stem O-ring and cover O-ring.

Stem O-ring located between stem and piston O-ring.

Check valve kits

When ordering specify Ordering Code, Kit No., and Valve Size.

ORDERING CODE	KIT NO.	SIZE	LIST PRICE
---------------	---------	------	------------

First Check Parts Kit»

LEAD FREE	0794054	LFRK 009 CK1	2 1/2" – 3"	\$548.00
-----------	---------	--------------	-------------	----------

Second Check Parts Kit»

LEAD FREE	0794055	LFRK 009 CK2	2 1/2" – 3"	531.50
-----------	---------	--------------	-------------	--------

Kit consists of: check assembly, cover O-ring and flow tube O-ring.

First Check Rubber Parts Kit

LEAD FREE	0887281	RK 009 RC1	2 1/2" – 3"	65.25
-----------	---------	------------	-------------	-------

Second Check Rubber Parts Kit

LEAD FREE	0887205	RK 009 RC2	2 1/2" – 3"	59.25
-----------	---------	------------	-------------	-------

Kit consists of: disc, seat O-ring, cover O-ring and flow tube O-ring.

Total Rubber Parts

LEAD FREE	0794056	LFRK 009 RT	2 1/2" – 3"	206.50
-----------	---------	-------------	-------------	--------

Kit consists of: diaphragm, two molded disc assemblies, two seat O-rings, RV O-ring, two piston O-rings, RV stem O-ring, flow tube O-ring and cover O-ring.

Cover Kit

LEAD FREE	0887282	RK 009 C	2 1/2" – 3"	413.00
-----------	---------	----------	-------------	--------

Kit consists of: cover, cover O-ring and flow tube O-ring.

Check Seat Kit

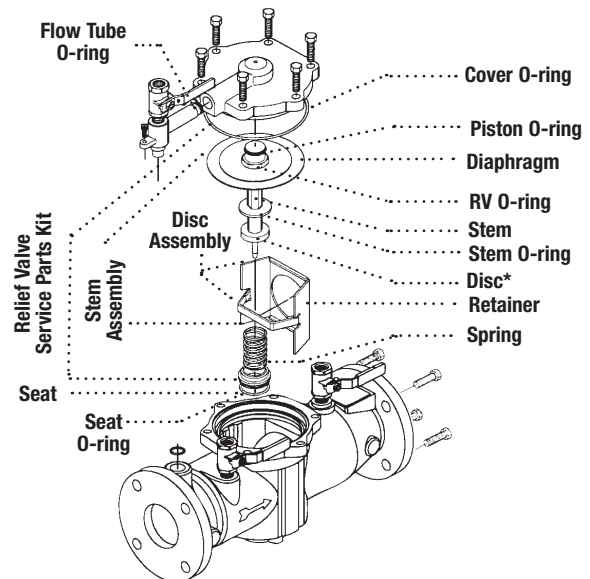
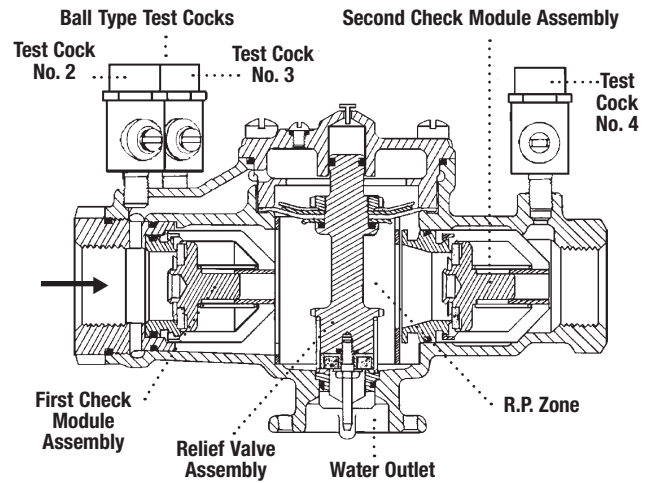
LEAD FREE	0887208	RK 009 S1	2 1/2" – 3"	103.00
LEAD FREE	0887209	RK 009 S2	2 1/2" – 3"	103.00

Kit consists of: check seat, seat O-ring and cover O-ring.

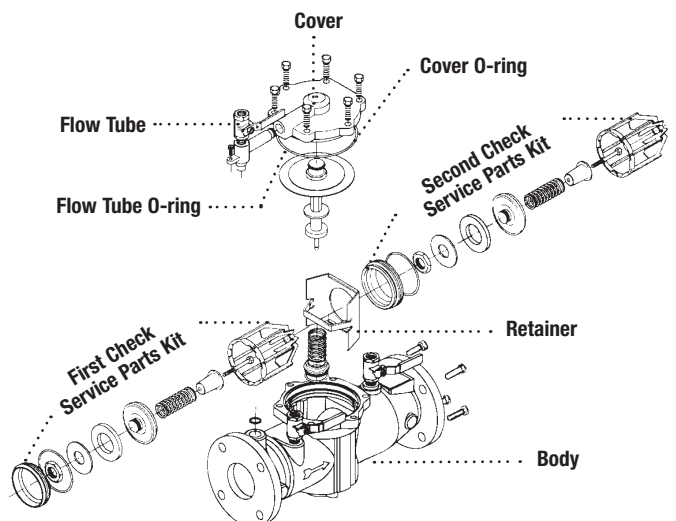
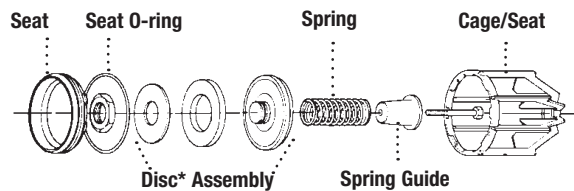
Rubber seat disc can be replaced. However, disc holder and disc retainer are permanently bonded to prevent failure.

First and Second Check Valve modules are not interchangeable.

*The wetted surface of this product contacted by consumable water contains less than 0.25% of lead by weight.



Check Assemblies



Series 900

Reduced Pressure Zone Assemblies

Size 3/4" – 2"

Repair Kits

When ordering specify Ordering Code, Kit No., and Valve Size.

ORDERING CODE	KIT NO.	SIZE	LIST PRICE
Complete Repair Kits			
0881240	45 BFP-RK	3/4", 1", 1 1/4"	\$413.00
0881263	47 BFP-RK	1 1/2", 2"	758.00

Kit consists of: inlet adapter gasket, first check valve assembly, with spring and O-ring, second check valve spring, two union nut gaskets, relief valve spring, second check valve assembly, stem O-ring, maintenance tool and silicone grease.

Rubber Parts Kits

ORDERING CODE	KIT NO.	SIZE	LIST PRICE
0881241	46 BFP-RK	3/4", 1", 1 1/4"	320.00
0881264	48 BFP-RK	1 1/2", 2"	538.50

Kit consists of: molded disc and piston O-ring.

Relief Valve Seat and Seal Kits

ORDERING CODE	KIT NO.	SIZE	LIST PRICE
0881245	34 BFP-RK	3/4", 1", 1 1/4"	101.50
0881275	35 BFP-RK	1 1/2", 2"	118.50

Kit consists of: relief valve seat and O-ring.

Sizes 2 1/2" - 6"

Check kits

When ordering specify Ordering Code, Kit No., and Valve Size.

ORDERING CODE	KIT NO.	SIZE	LIST PRICE
First Check Assembly & Relief Valve Kits			
0889100	36 BFP-RK	2 1/2", 3"	\$2,056.00
0889110	37 BFP-RK	4"	2,964.00

Kit consists of: first check valve seat and disc, valve spring, gasket, relief valve seat and spring.

Second Check Assembly Kits

Second Check Valve Spring Assembly

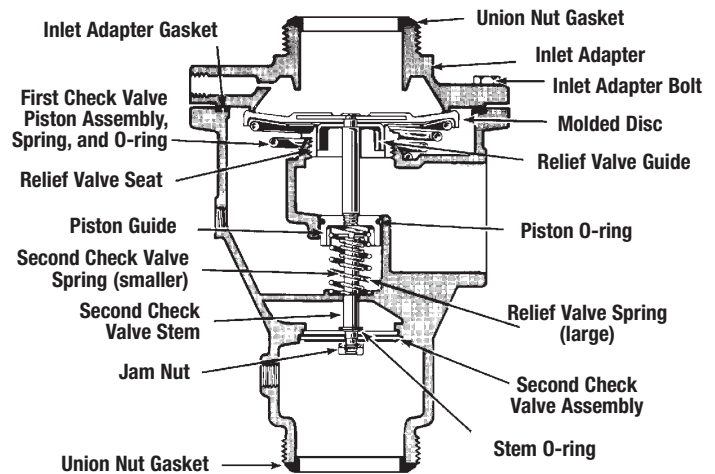
ORDERING CODE	KIT NO.	SIZE	LIST PRICE
0889105	39 BFP-RK	2 1/2", 3"	667.50
0889115	40 BFP-RK	4"	1,015.00

Kit consists of: second check valve spring assembly, valve disc and seat, O-rings, lock nut, piston O-ring and guide assembly and relief valve O-ring.

Rubber Parts Kits

ORDERING CODE	KIT NO.	SIZE	LIST PRICE
0881295	42 BFP-RK	2 1/2", 3"	1,548.00
0881297	43 BFP-RK	4"	1,827.00
0881298	44 BFP-RK	6"	3,446.00

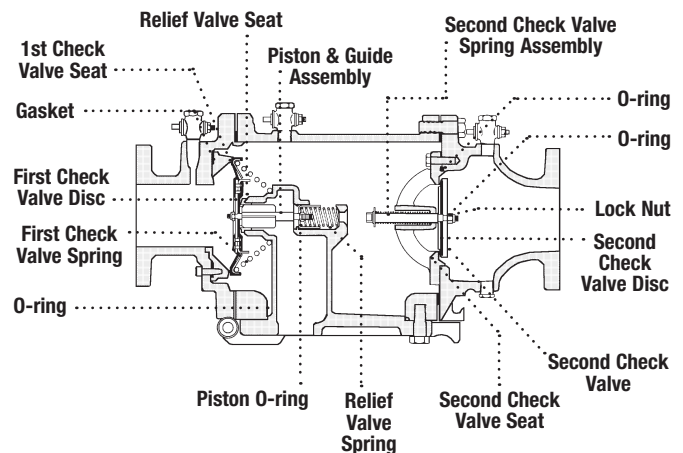
Kit consists of: first check valve disc, second check valve disc, O-rings and silicone grease.



NOTICE

Before reassembly, grease Relief Valve Seat orifice, Piston Bore and Piston O-ring. Use silicone base grease.

Service of these sizes require proper factory maintenance tool kit (see below).



*The wetted surface of this product contacted by consumable water contains less than 0.25% of lead by weight.

Series 909, LF909

Reduced Pressure Zone Assemblies

Sizes 3/4" – 2"

Repair Kits

When ordering specify Ordering Code, Kit No., and Valve Size.

ORDERING CODE	KIT NO.	SIZE	LIST PRICE
---------------	---------	------	------------

Total Repair Kits

LEAD FREE	0794066	LFRK 909-T	3/4" – 1"	\$344.00
	0794071	LFRK 909-T	1 1/4" – 2"	634.50

Kit consists of: relief valve repair kit, first check repair kit, second check repair kit

Relief Valve Kits

Relief Valve Kits

LEAD FREE	0794059	LFRK 909 VT	3/4" – 1"	201.50
	0794060	LFRK 909M1 VT	1 1/4" – 2"	374.00

Kit consists of: relief valve assembly, seat, seat O-ring, 2 piston O-rings and lubricant.

Rubber Parts for Relief Valve 1 1/4" – 2"

LEAD FREE	0794061	LFRK 909 RV	3/4" – 1"	60.00
	0794062	LFRK 909M1 RV	1 1/4" – 2"	83.75

Kit consists of: diaphragm, disc assembly, seat O-ring, RV O-ring, 2 piston O-ring, and lubricant.

Seat Kits for Relief Valve

LEAD FREE	0887372	RK 909 SV	3/4" – 1"	82.50
	0887371	RK 909M1 SV	1 1/4" – 2"	131.00

Kit consists of: seat, seat O-ring, 2 piston O-ring and lubricant.

1 1/4" – 2" 909/909M1 are common kits.

NOTICE

TO PREVENT SHAFT DAMAGE ASSEMBLE AS SHOWN: If cover will not press against body, assembly is crooked and tightening bolts will bend shaft. Do not force the cover into place as damage may result from misalignment.

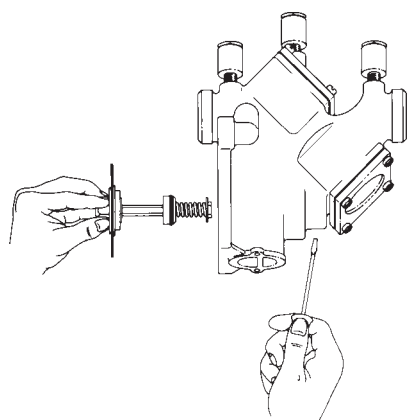


Figure 1:

To assemble the relief valve assembly have a screwdriver ready.

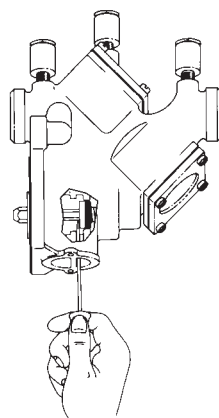


Figure 2:

Depress the relief valve assembly, carefully guiding it against the two pound spring load. When properly aligned, the piston is in the cylinder bore. Insert the screwdriver as shown.

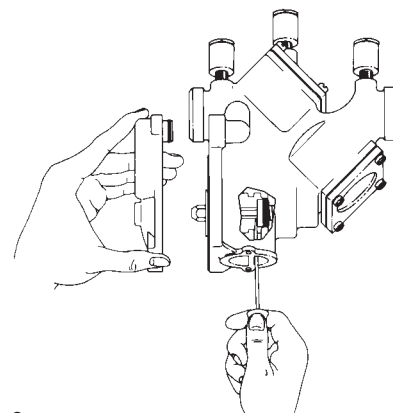
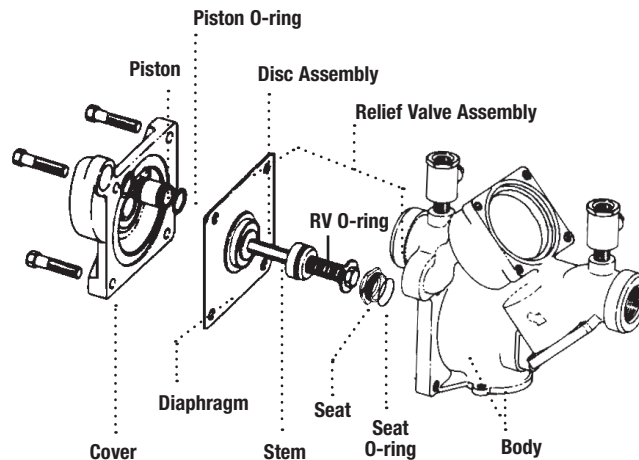


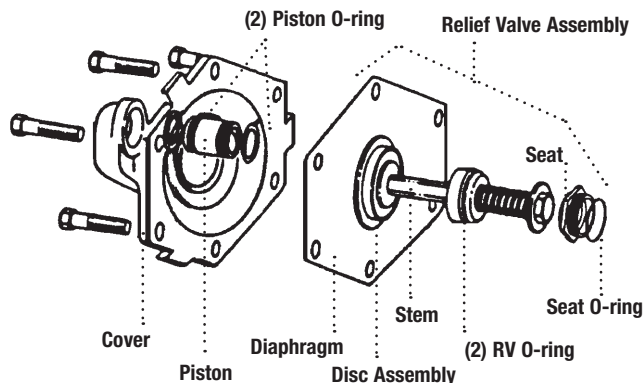
Figure 3:

The relief valve assembly is held encapsulated by the screwdriver. You should now have both hands free to bolt down the cover. Insert and snug two bolts 180° apart to hold the cover. Finish inserting the remaining bolts and snug up evenly alternating until secure. Remove the screwdriver.

3/4" – 1"



1 1/4" – 2"



*The wetted surface of this product contacted by consumable water contains less than 0.25% of lead by weight.

Series 909, LF909

Reduced Pressure Zone Assemblies

Sizes 3/4" – 2"

Check valve kits

When ordering specify Ordering Code, Kit No., and Valve Size.

Note: 1 1/4" – 2" 909/909M1 are common kits.

ORDERING CODE	KIT NO.	SIZE	LIST PRICE
---------------	---------	------	------------

First Check Kits

LEAD FREE	ORDERING CODE	KIT NO.	SIZE	LIST PRICE
	0887120	RK 909 CK1	3/4" – 1"	\$127.50
	0794063	LFRK 909M1 CK1	1 1/4" – 2"	244.00
	0887122	RK 909 CK1SS**	3/4" – 1"	193.00
	0887135	RK 909M1 CK1SS**	1 1/4" – 2"	327.50

Second Check Kits

LEAD FREE	ORDERING CODE	KIT NO.	SIZE	LIST PRICE
	0887121	RK 909 CK2	3/4" – 1"	119.00
	0794064	LFRK 909M1 CK2	1 1/4" – 2"	229.50
	0887123	RK 909 CK2SS**	3/4" – 1"	182.00
	0887136	RK 909M1 CK2SS**	1 1/4" – 2"	313.50

Kit consists of: disc assembly, spring, seat, seat O-ring, cover O-ring and lubricant.

Rubber Parts for Both Checks

LEAD FREE	ORDERING CODE	KIT NO.	SIZE	LIST PRICE
	0887129	RK 909 RC3	3/4" – 1"	24.50
	0887310	RK 909 RC3 HW	3/4" – 1"	49.25
	0794065	LFRK 909M1 RC3	1 1/4" – 2"	81.00
	0794068	LFRK 909M1 RC3 HW	1 1/4" – 2"	81.00

Kit consists of: disc assembly, seat O-ring, cover O-ring and lubricant.

NOTE: HW model has bronze disc assembly.

Complete Rubber Parts

LEAD FREE	ORDERING CODE	KIT NO.	SIZE	LIST PRICE
	0794069	LFRK 909 RT	3/4" – 1"	82.50
	0794070	LFRK 909M1 RT	1 1/4" – 2"	127.50

Kit consists of: disc assembly, seat O-rings, RV diaphragm, RV O-rings, piston O-rings, cover O-rings and lubricant.

Seat Kits for One Check

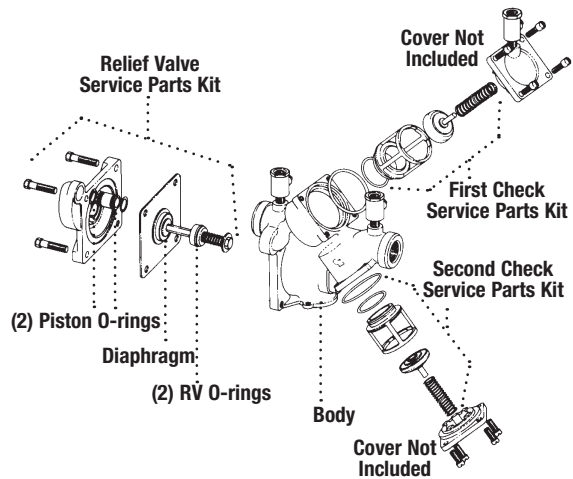
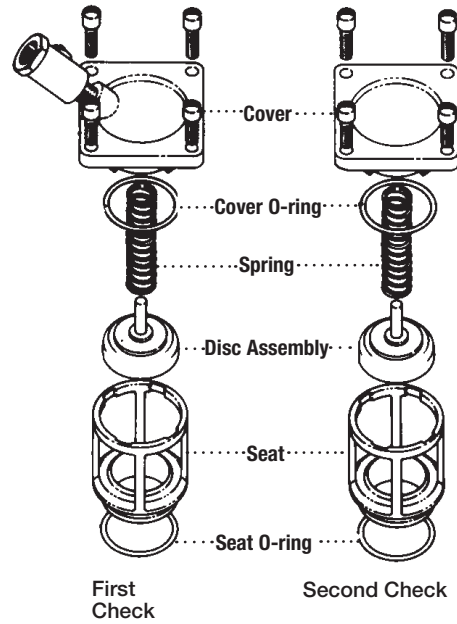
LEAD FREE	ORDERING CODE	KIT NO.	SIZE	LIST PRICE
	0887124	RK 909 S	3/4" – 1"	37.50
	0887139	RK 909M1 S	1 1/4" – 2"	47.25
	0887125	RK 909 S-SS**	3/4" – 1"	256.50
	0887140	RK 909M1 S-SS**	1 1/4" – 2"	338.00

Kit consists of: seat, seat O-ring and lubricant.

Cover Kits

LEAD FREE	ORDERING CODE	KIT NO.	SIZE	LIST PRICE
	0794072	LFRK 909 C1	3/4" – 1"	88.00
	0794073	LFRK 909 C2	3/4" – 1"	80.75
	0794075	LFRK 909 VC	3/4" – 1"	112.00
	0794074	LFRK 909M1 C4	1 1/4" – 2"	101.50
	0794076	LFRK 909M1 VC	1 1/4" – 2"	175.50

Kit consists of: cover, cover O-ring and lubricant.



No special tools required to service Series 909.

Rubber seat disc can be replaced. However, disc holder and disc retainer are permanently bonded to prevent failure.

ORDERING CODE	KIT NO.	SIZE	LIST PRICE
---------------	---------	------	------------

Polymer Coated Valves

LEAD FREE	ORDERING CODE	KIT NO.	SIZE	LIST PRICE
	0794079	LFRK 909-PC-CK1	3/4" – 1"	\$153.50
	0794080	LFRK 909-PC-CK2	3/4" – 1"	143.50
	0794077	LFRK 909-PC-CK1	1 1/4" – 2"	274.50
	0794078	LFRK 909-PC-CK2	1 1/4" – 2"	259.50

Kit consists of: disc assembly, seat, seat O-ring, sleeve, check spring, PC cover and cover O-ring.

*The wetted surface of this product contacted by consumable water contains less than 0.25% of lead by weight.

**Stainless steel seat

Series 909, LF909

Reduced Pressure Zone Assemblies

Sizes 2 1/2" – 10"

Relief Valve Kits

When ordering specify Ordering Code, Kit No., and Valve Size.

**M1 = Cast iron relief valve.

ORDERING CODE	KIT NO.	SIZE	LIST PRICE
---------------	---------	------	------------

Relief Valve Rubber Parts

LEAD FREE	ORDERING CODE	KIT NO.	SIZE	LIST PRICE
	0794081	LFRK 909 RV	2 1/2" – 3"	\$205.50
	0794083	LFRK 909 RV	8" – 10"	341.00
	0794150	LFRK 909(M1)-RV	4"–6" 909, 8"–10" 909M1	271.00

Kit consists of: sleeve O-ring, piston O-ring, stem O-ring, RV disc assembly, diaphragm, piston seal, bottom plug O-ring, adapter O-ring and lubricant.

Relief Valve Total

LEAD FREE	ORDERING CODE	KIT NO.	SIZE	LIST PRICE
	0887237	RK 909 VT	8" – 10"	1,502.00
	0887267	RK 909 VT Bronze Body	4" – 6"	813.50
	0794085	LFRK 909 VT	2 1/2" – 3"	398.50
	0794151	LFRK 909(M1)-VT	4"–6" 909, 8"–10" 909M1	891.00

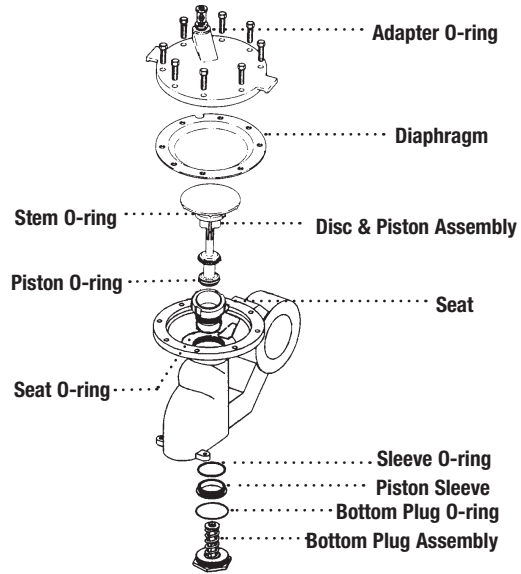
Kit consists of: diaphragm, disc & piston assembly, seat, seat O-ring, adapter O-ring and lubricant. (Sizes 4"–10"M1 includes bottom plug & spring assembly).

Total Rubber Parts Kits

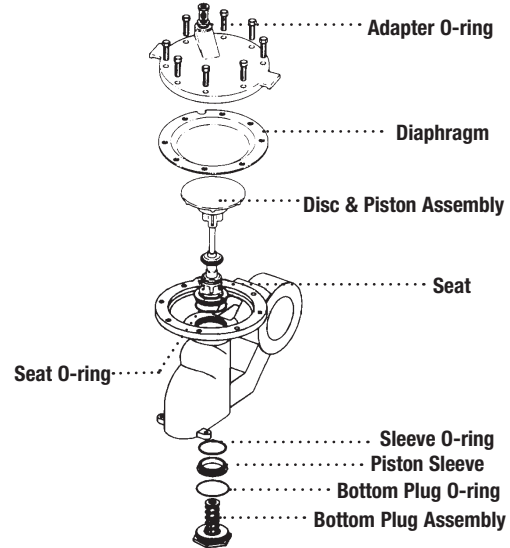
LEAD FREE	ORDERING CODE	KIT NO.	SIZE	LIST PRICE
	0794089	LFRK 909 RT	2 1/2" – 3"	365.00
	0794090	LFRK 909 RT	4"	481.50
	0794091	LFRK 909 RT	6"	505.50
	0794092	LFRK 909 RT	8"	624.00
	0794093	LFRK 909M1 RT	8"	555.00
	0794094	LFRK 909 RT	10"	728.00
	0794095	LFRK 909M1 RT	10"	659.50

Kit consists of: upper and lower check stem O-ring (6" only), check disc, cover O-ring, sleeve O-ring, piston O-ring, RV disc assembly, diaphragm, piston seal and lubricant.

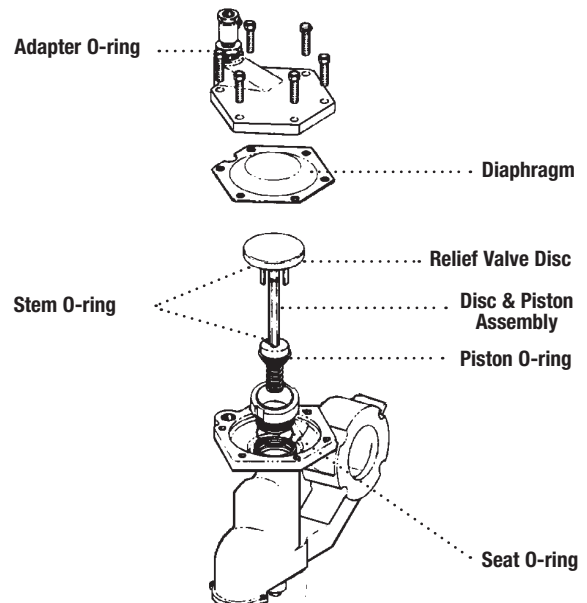
4" – 10"



8"M1, 10"M1



2 1/2", 3"



*The wetted surface of this product contacted by consumable water contains less than 0.25% of lead by weight.

Series 909, LF909

Reduced Pressure Zone Assemblies

Sizes 2 1/2" – 10"

Check valve kits

When ordering specify Ordering Code, Kit No., and Valve Size.

ORDERING CODE	KIT NO.	SIZE	LIST PRICE
---------------	---------	------	------------

First Check Kits

ORDERING CODE	KIT NO.	SIZE	LIST PRICE
0794096	LFRK 909 CK1	2 1/2" – 3"	\$511.50
0794097	LFRK 909 CK1	4"	826.50
0794098	LFRK 909 CK1	6"	1,481.00
0794099	LFRK 909 CK1	8"	2,634.00
0794100	LFRK 909 CK1	10"	3,775.00

Second Check Kits

ORDERING CODE	KIT NO.	SIZE	LIST PRICE
0794101	LFRK 909 CK2	2 1/2" – 3"	491.00
0794102	LFRK 909 CK2	4"	783.00
0794103	LFRK 909 CK2	6"	1,352.00
0794104	LFRK 909 CK2	8"	2,470.00
0794105	LFRK 909 CK2	10"	3,324.00

Kit consists of: disc & spring assembly, cover O-ring and lubricant.

Seat Kits

ORDERING CODE	KIT NO.	SIZE	LIST PRICE
0794106	LFRK 909 S	2 1/2" – 3"	195.00
0794107	LFRK 909 S	4"	284.50
0794108	LFRK 909 S	6"	487.00
0794109	LFRK 909 S	8"	1,160.00
0794110	LFRK 909 S	10"	1,354.00

Kit consists of: seat, seat O-ring, cover O-ring, retainer wires and lubricant.

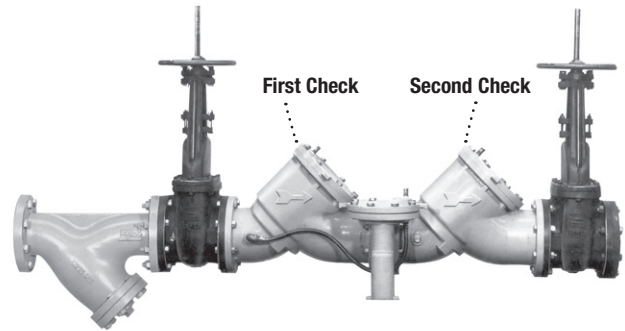
First Check Rubber Parts Kits

ORDERING CODE	KIT NO.	SIZE	LIST PRICE
0887220	RK 909 RC1	2 1/2" – 3"	76.25
0887221	RK 909 RC1	4"	101.00
0887223	RK 909 RC1	6"	114.50
0887224	RK 909 RC1	8"	138.50
0887225	RK 909 RC1	10"	187.50

Second Check Rubber Parts Kits

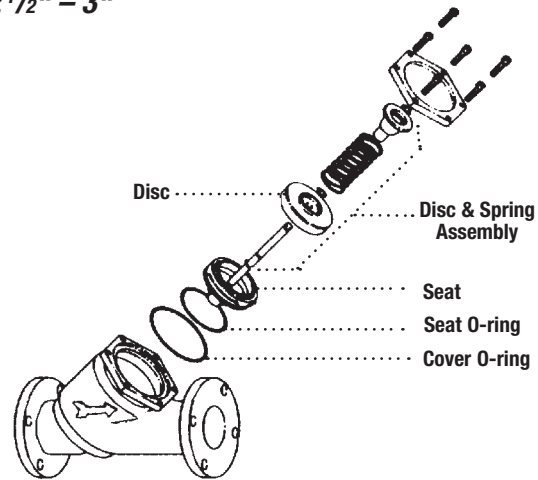
ORDERING CODE	KIT NO.	SIZE	LIST PRICE
0887226	RK 909 RC2	2 1/2" – 3"	76.25
0887227	RK 909 RC2	4"	101.00
0887228	RK 909 RC2	6"	114.50
0887229	RK 909 RC2	8"	138.50
0887230	RK 909 RC2	10"	187.50

Kit consists of: upper and lower check stem O-ring (6" only), check disc, cover O-ring and lubricant.

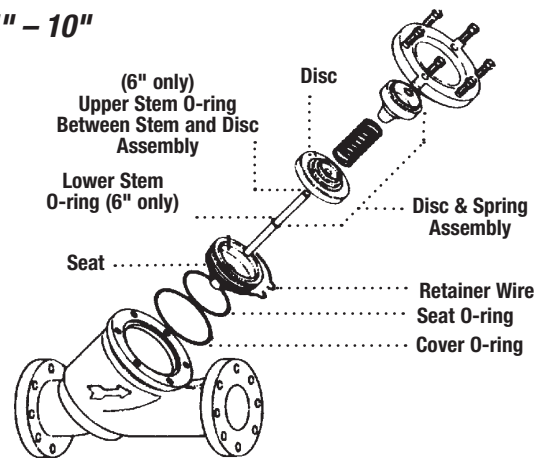


First and second checks are not interchangeable.

2 1/2" – 3"



4" – 10"



⚠ WARNING

Spring assembly is factory assembled. DO NOT DISASSEMBLE.

ORDERING CODE	KIT NO.	SIZE	LIST PRICE
---------------	---------	------	------------

Cover Kits for Checks

ORDERING CODE	KIT NO.	SIZE	LIST PRICE
0887740	RK 909 C	2 1/2" – 3"	\$257.50
0887741	RK 909 C	4"	288.50
0887742	RK 909 C	6"	402.00
0887743	RK 909 C	8"	657.00
0887744	RK 909 C	10"	1,469.00

Kit consists of: cover, cover O-ring and lubricant.

*The wetted surface of this product contacted by consumable water contains less than 0.25% of lead by weight.

Series 909RPDA

Reduced Pressure Detector Assemblies

2 1/2" – 10"

Relief Valve Kits

When ordering specify Ordering Code, Kit No., and Valve Size.

**M1 = Cast iron relief valve.

ORDERING CODE	KIT NO.	SIZE	LIST PRICE
---------------	---------	------	------------

Relief Valve Rubber Parts

LEAD FREE	ORDERING CODE	KIT NO.	SIZE	LIST PRICE
	0794111	LFRK 909RPDA-RV	2 1/2" – 3"	\$205.50
	0794112	LFRK 909RPDA-RV	4" – 10"	271.00

Kit consists of: sleeve O-ring, seat O-ring, piston O-ring, stem O-ring, RV disc assembly, diaphragm, piston seal, bottom plug O-ring, adapter O-ring and lubricant.

Relief Valve Total

LEAD FREE	ORDERING CODE	KIT NO.	SIZE	LIST PRICE
	0887268	RK 909RPDA VT	Bronze Body 4" – 6"	813.50
	0794115	LFRK 909RPDA-VT	Cast Iron Body 2 1/2" – 3"	398.50
	0794116	LFRK 909RPDA-VT	4" – 10"	743.00

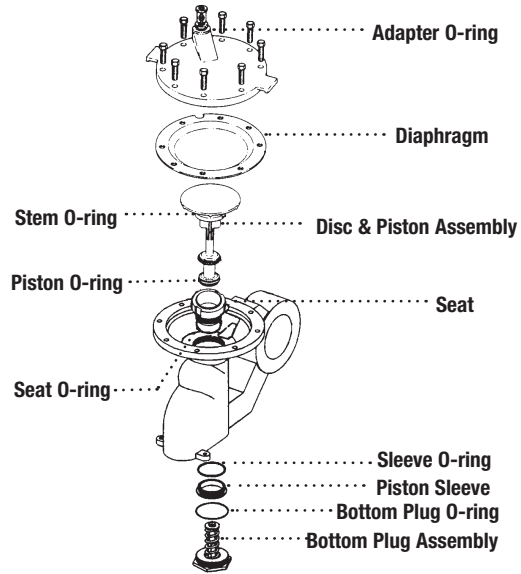
Kit consists of: diaphragm, disc & piston assembly, seat, seat O-ring, adapter O-ring and lubricant. (Sizes 4"–10"M1 includes bottom plug & spring assembly.)

Total Rubber Parts Kits

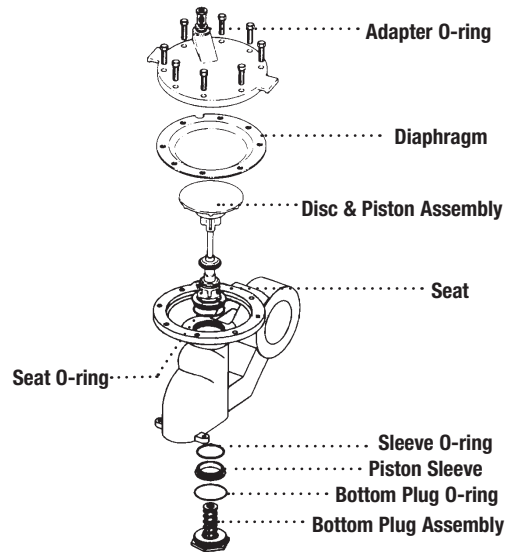
LEAD FREE	ORDERING CODE	KIT NO.	SIZE	LIST PRICE
	0794123	LFRK 909RPDA-RT	8"	555.00
	0794119	LFRK 909RPDA-RT	2 1/2" – 3"	364.00
	0794120	LFRK 909RPDA-RT	4"	481.50
	0794121	LFRK 909RPDA-RT	6"	505.50
	0794125	LFRK 909RPDA-RT	10"	659.50

Kit consists of: upper and lower check stem O-ring (6" only), check disc, cover O-ring, sleeve O-ring, piston O-ring, RV disc assembly, diaphragm, piston seat and lubricant.

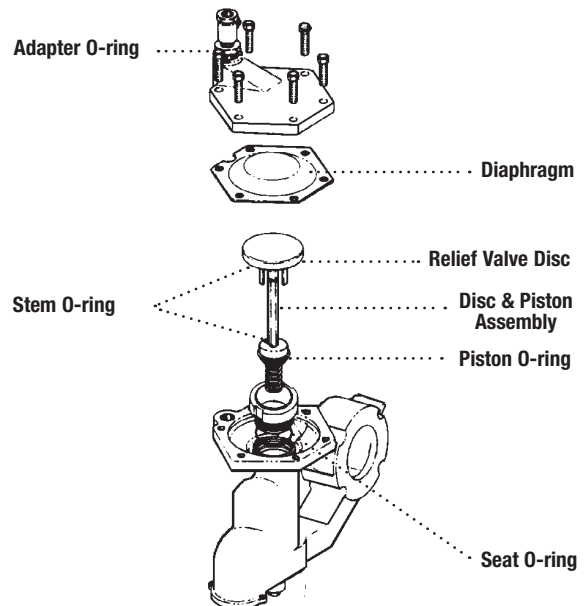
4" – 10"



8"M1, 10"M1



2 1/2", 3"



2

Reduced Pressure Zone Assemblies

Series 909RPDA

Reduced Pressure Detector Assemblies

2 1/2" – 10"

Check valve kits

When ordering specify Ordering Code, Kit No., and Valve Size.

ORDERING CODE	KIT NO.	SIZE	LIST PRICE
---------------	---------	------	------------

First Check Kits

0794126	LFRK 909RPDA-CK1	2 1/2" – 3"	\$615.00
0794127	LFRK 909RPDA-CK1	4"	855.50
0794128	LFRK 909RPDA-CK1	6"	1,544.00
0794129	LFRK 909RPDA-CK1	8"	2,787.00
0794130	LFRK 909RPDA-CK1	10"	4,136.00

Second Check Kits

0794131	LFRK 909RPDA-CK2	2 1/2" – 3"	491.00
0794132	LFRK 909RPDA-CK2	4"	783.00
0794133	LFRK 909RPDA-CK2	6"	1,352.00
0794135	LFRK 909RPDA-CK2	10"	3,324.00

Kit consists of: disc & spring assembly, cover O-ring and lubricant.

First Check Rubber Parts Kits

0887249	RK 909RPDA RC1	2 1/2" – 3"	76.25
0887250	RK 909RPDA RC1	4"	101.00
0887251	RK 909RPDA RC1	6"	114.50
0887252	RK 909RPDA RC1	8"	138.50
0887253	RK 909RPDA RC1	10"	187.50

Second Check Rubber Parts Kits

0887254	RK 909RPDA RC2	2 1/2" – 3"	76.25
0887255	RK 909RPDA RC2	4"	101.00
0887256	RK 909RPDA RC2	6"	114.50
0887257	RK 909RPDA RC2	8"	138.50
0887258	RK 909RPDA RC2	10"	187.50

Kit consists of: upper and lower check stem O-ring (6" only), check disc, cover O-ring and lubricant.

Seat Kits

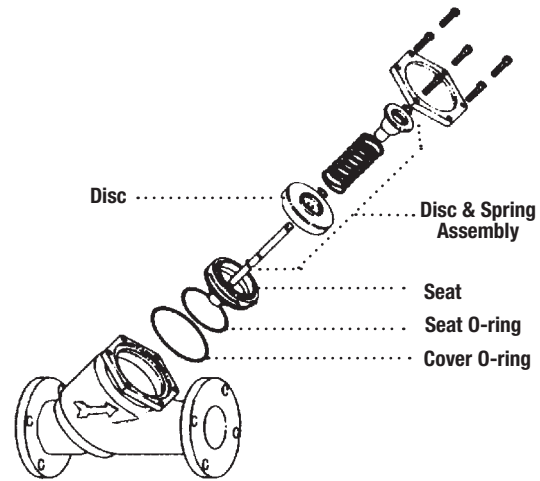
0794136	LFRK 909RPDA-S	2 1/2" – 3"	195.00
0794137	LFRK 909RPDA-S	4"	284.50
0794138	LFRK 909RPDA-S	6"	487.00
0794139	LFRK 909RPDA-S	8"	1,160.00
0794140	LFRK 909RPDA-S	10"	1,354.00

Kit consists of: seat, seat O-ring, cover O-ring, retainer wires and lubricant.

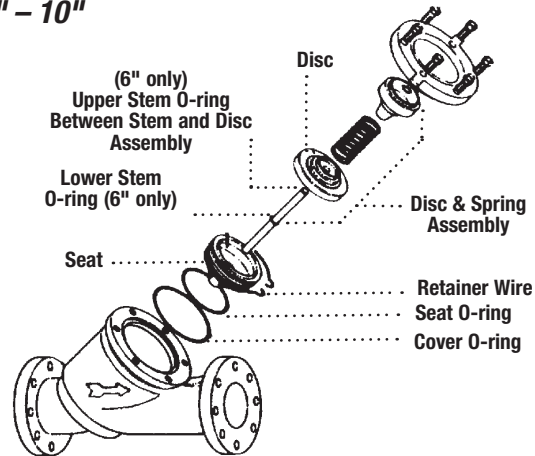
Cover Kits for Checks

0887745	RK 909RPDA C	2 1/2" – 3"	257.50
0887746	RK 909RPDA C	4"	288.50
0887747	RK 909RPDA C	6"	402.00
0887748	RK 909RPDA C	8"	657.00
0887749	RK 909RPDA C	10"	1,469.00

2 1/2" – 3"



4" – 10"



⚠ WARNING

Spring assembly is factory assembled. DO NOT DISASSEMBLE.

*The wetted surface of this product contacted by consumable water contains less than 0.25% of lead by weight.

Series 919, LF919

Reduced Pressure Zone Assemblies

Sizes 1/4" – 2"

Repair Kits

When ordering specify Ordering Code, Kit No., and Valve Size.

ORDERING CODE	KIT NO.	SIZE	LIST PRICE
---------------	---------	------	------------

Total Repair Kits

LEAD FREE	ORDERING CODE	KIT NO.	SIZE	LIST PRICE
	0888167	RK 919-T	1/4" - 1/2"	\$136.00
	0888168	RK 919-T	3/4"	225.50
	0888169	RK 919-T	1"	225.50
	0888170	RK 919-T	1 1/4" - 1 1/2"	346.50
	0888171	RK 919-T	2"	354.50

Kit consists of: relief valve repair kit, first check repair kit, second check repair kit

Relief Valve Kits

Total Relief Valve Kits

LEAD FREE	ORDERING CODE	KIT NO.	SIZE	LIST PRICE
	0888130	RK 919 VT	1/4" – 1/2"	\$98.00
	0888131	RK 919 VT	3/4" – 1"	174.50
	0888132	RK 919 VT	1 1/4" – 2"	228.00

Kit consists of: relief valve assembly, RV spring, and RV cover O-ring.

Relief Valve Rubber Parts Kits

LEAD FREE	ORDERING CODE	KIT NO.	SIZE	LIST PRICE
	0888135	RK 919 RV	1/4" – 1/2"	42.00
	0888136	RK 919 RV	3/4" – 1"	49.25
	0888137	RK 919 RV	1 1/4" – 2"	55.75

Kit consists of: relief valve disc, RV diaphragm, RV seat O-ring and cover O-ring

Relief Valve Seat Kits

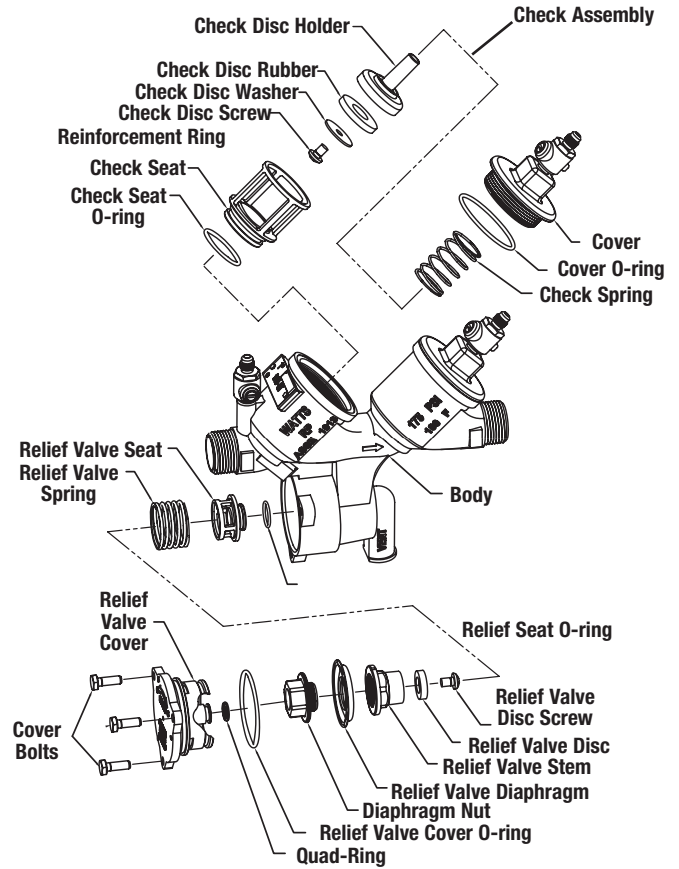
LEAD FREE	ORDERING CODE	KIT NO.	SIZE	LIST PRICE
	0888150	RK 919 SV	1/4" – 1/2"	13.25
	0888151	RK 919 SV	3/4" – 1"	14.25
	0888153	RK 919 SV	1 1/4" – 2"	11.25

Kit consists of: relief valve seat, RV seat O-ring and RV cover O-ring

Relief Valve Cover Kits

LEAD FREE	ORDERING CODE	KIT NO.	SIZE	LIST PRICE
	0888164	LFRK 919 VC	1/4" – 1/2"	90.25
	0794142	LFRK 919 VC	3/4" – 1"	87.00
	0794143	LFRK 919 VC	1 1/4" – 2"	90.25

Kit consists of: relief valve cover and cover O-ring



2

Reduced Pressure Zone Assemblies

*The wetted surface of this product contacted by consumable water contains less than 0.25% of lead by weight.

Series 919, LF919

Reduced Pressure Zone Assemblies

Sizes 1/4" – 2"

Check valve kits

When ordering specify Ordering Code, Kit No., and Valve Size.

ORDERING CODE	KIT NO.	SIZE	LIST PRICE
---------------	---------	------	------------

1st Check Kits

0888110	RK 919 CK1	1/4" – 1/2"	\$42.00
0888111	RK 919 CK1	3/4"	66.25
0888112	RK 919 CK1	1"	66.25
0888113	RK 919 CK1	1 1/4" – 1 1/2"	121.50
0888114	RK 919 CK1	2"	130.00

Kit consists of: check assembly, spring and cover O-ring

2nd Check Kits

0888115	RK 919 CK2	1/4" – 1/2"	41.00
0888116	RK 919 CK2	3/4"	60.25
0888117	RK 919 CK2	1"	60.25
0888118	RK 919 CK2	1 1/4" – 1 1/2"	113.50
0888119	RK 919 CK2	2"	115.50

Kit consists of: check assembly, spring and cover O-ring

1st or 2nd Check Rubber Parts Kits

0888120	RK 919 RC4	1/4" – 1/2"	12.75
0888121	RK 919 RC4	3/4"	12.75
0888122	RK 919 RC4	1"	12.75
0888123	RK 919 RC4	1 1/4" – 1 1/2"	16.50
0888124	RK 919 RC4	2"	17.50

Kit consists of: disc, seat O-ring and cover O-ring

Check Seat Kits

0888125	RK 919 S	1/4" – 1/2"	32.25
0888126	RK 919 S	3/4"	42.50
0888127	RK 919 S	1"	43.75
0888128	RK 919 S	1 1/4" – 1 1/2"	66.75
0888129	RK 919 S	2"	74.00

Kit consists of: seat, seat O-ring and cover O-ring

Complete Valve Rubber Parts Kits

0888140	RK 919 RT	1/4" – 1/2"	66.75
0888141	RK 919 RT	3/4"	71.00
0888142	RK 919 RT	1"	74.00
0888143	RK 919 RT	1 1/4" – 1 1/2"	89.75
0888144	RK 919 RT	2"	93.50

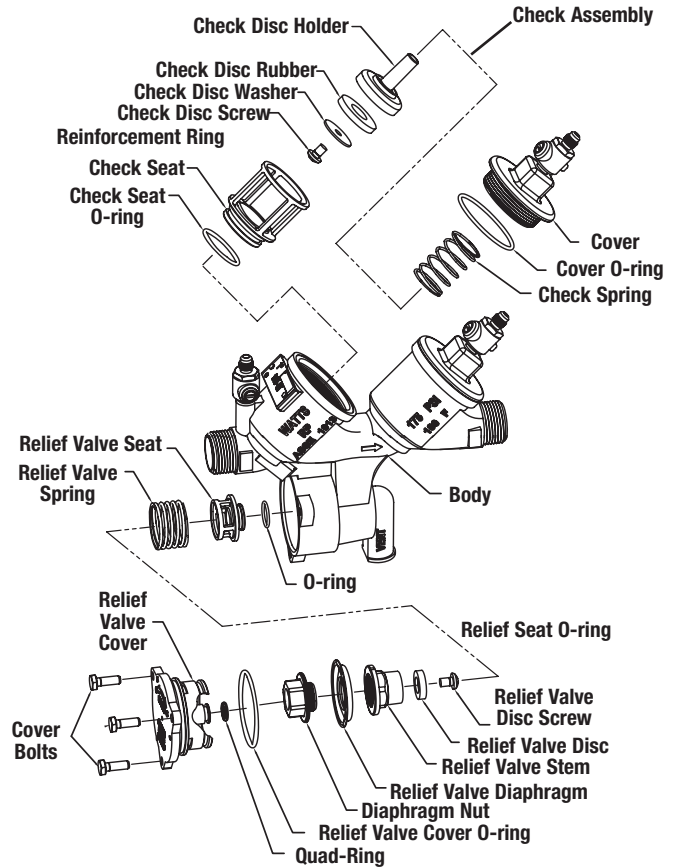
Kit consists of: 2 check seat O-rings, 2 check cover O-rings, relief valve O-ring, relief valve cover O-ring, relief valve stem O-ring

Check Cover Kits»

0794144	LFRK 919 C	1/4" – 1/2"	62.75
0794145	LFRK 919 C	3/4"	105.00
0794146	LFRK 919 C	1"	105.00
0794147	LFRK 919 C	1 1/4" – 1 1/2"	141.50
0794148	LFRK 919 C	2"	160.00

Kit consists of: cover and cover O-ring

For 1/2" and 3/4" 919R10 models use 1" repair kits.



*The wetted surface of this product contacted by consumable water contains less than 0.25% of lead by weight.

2

Reduced Pressure Zone Assemblies

Series 957, 957RPDA, LF957RPDA

Reduced Pressure Zone Assemblies
 Reduced Pressure Detector Assemblies

Sizes 2 1/2" – 10"

Relief Valve Kits

When ordering specify Ordering Code, Kit No., and Valve Size.

ORDERING CODE	KIT NO.	SIZE	LIST PRICE
---------------	---------	------	------------

Relief Valve Total Kits

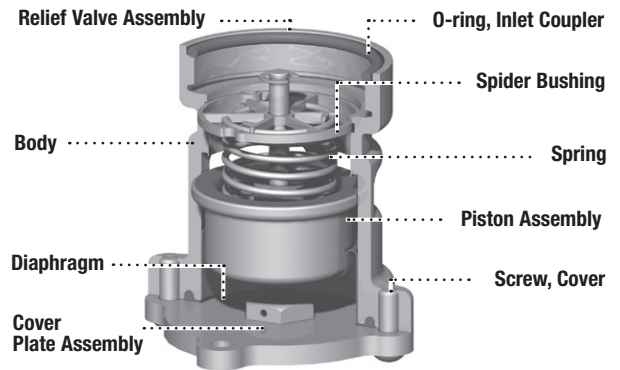
LEAD FREE	0899232	RK 957/957RPDA VT	2 1/2" – 10"	\$733.00
------------------	---------	-------------------	--------------	----------

Kit consists of: complete relief valve assembly.

Relief Valve Rubber Parts Kits

LEAD FREE	0899236	RK 957/957RPDA RV	2 1/2" – 10"	\$207.50
------------------	---------	-------------------	--------------	----------

Kit consists of: diaphragm, inlet coupler O-ring and piston assembly.



2

Reduced Pressure Zone Assemblies

*The wetted surface of this product contacted by consumable water contains less than 0.25% of lead by weight.

Series 957, 957RPDA, LF957RPDA

Reduced Pressure Zone Assemblies Reduced Pressure Detector Assemblies

Sizes 2 1/2" – 10"

Check valve kits

When ordering specify Ordering Code, Kit No., and Valve Size.

ORDERING CODE	KIT NO.	DISC	SIZE	LIST PRICE
---------------	---------	------	------	------------

First Check Kits

7018129	RK 957/957RPDA CK1	EPDM	2 1/2" – 4"	\$331.00
0889370	RK 957/957RPDA CK1-RS	Red Silicone	2 1/2" – 4"	331.00
7018132	RK 957/957RPDA CK1	EPDM	6"	491.50
0889374	RK 957/957RPDA CK1-RS	Red Silicone	6"	491.50
7018135	RK 957/957RPDA CK1	Red Silicone	8"	782.00
0899215	RK 957/957RPDA CK1	Red Silicone	10"	1,061.00

Kit consists of: first check module, check module O-ring and disc elastomer.

Second Check Kits

0899216	RK 957/957RPDA CK2	EPDM	2 1/2" – 4"	312.50
0889371	RK 957/957RPDA CK2-RS	Red Silicone	2 1/2" – 4"	312.50
0899217	RK 957/957RPDA CK2	EPDM	6"	434.00
0889375	RK 957/957RPDA CK2-RS	Red Silicone	6"	434.00
0899218	RK 957/957RPDA CK2	Red Silicone	8"	719.50
0899219	RK 957/957RPDA CK2	Red Silicone	10"	904.50

Kit consists of: second check module, check module O-ring and disc elastomer.

First or Second Check Rubber Parts Kits

0899220	RK 957/957RPDA RC4	EPDM	2 1/2" – 4"	40.75
0889372	RK 957/957RPDA RC4-RS	Red Silicone	2 1/2" – 4"	40.75
0899221	RK 957/957RPDA RC4	EPDM	6"	52.00
0889376	RK 957/957RPDA RC4-RS	Red Silicone	6"	52.00
0899222	RK 957/957RPDA RC4	Red Silicone	8"	72.75
0899223	RK 957/957RPDA RC4	Red Silicone	10"	163.00

Kit consists of: check module O-ring, disc elastomer and E-clip.

Check Sleeve Cover Kits

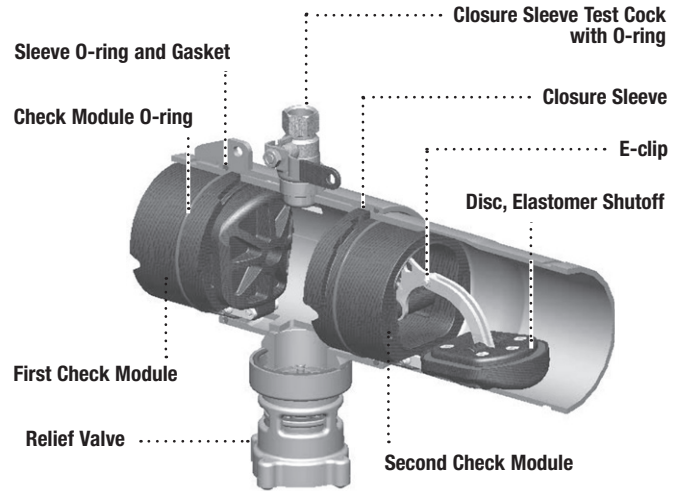
0899240	RK 957/957RPDA C		2 1/2" – 4"	395.50
0899241	RK 957/957RPDA C		6"	531.00
0899242	RK 957/957RPDA C		8"	907.00
0899243	RK 957/957RPDA C		10"	1,107.00

Kit consists of: closure sleeve, sleeve O-ring and gasket.

Total Rubber Parts Kits

0899244	RK 957/957RPDA RT	EPDM	2 1/2" – 4"	278.00
0889373	RK 957/957RPDA RT-RS	Red Silicone	2 1/2" – 4"	278.00
0899245	RK 957/957RPDA RT	EPDM	6"	299.00
0889377	RK 957/957RPDA RT-RS	Red Silicone	6"	299.00
0899246	RK 957/957RPDA RT	Red Silicone	8"	340.50
0899247	RK 957/957RPDA RT	Red Silicone	10"	559.50

Kit consists of: 1st and 2nd check module O-ring, (2) disc elastomer, (2) E-clips, relief valve diaphragm, relief valve inlet coupler O-ring and relief valve piston assembly.



2

Reduced Pressure Zone Assemblies

*The wetted surface of this product contacted by consumable water contains less than 0.25% of lead by weight.

Series 990

Reduced Pressure Zone Assemblies

Sizes 4" – 8"

Relief Valve Kits

When ordering specify Ordering Code, Kit No., and Valve Size.

Series 990

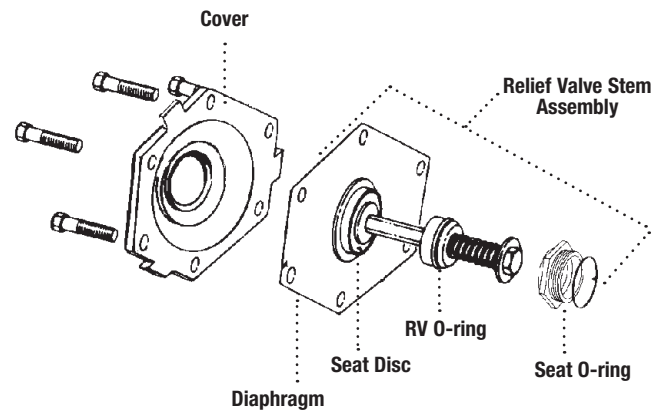
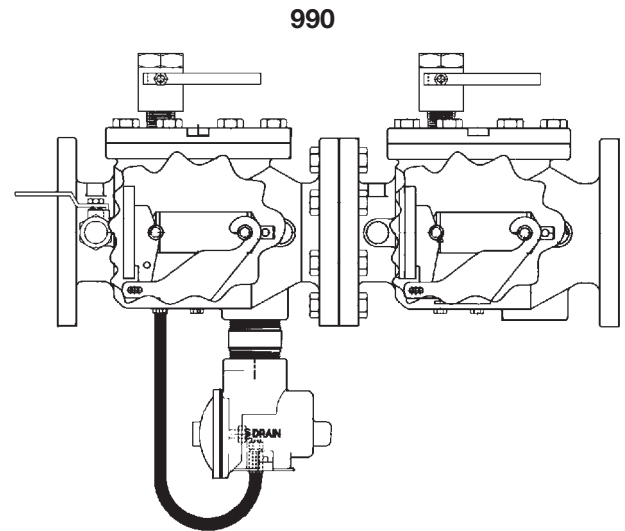
ORDERING CODE	KIT NO.	SIZE	LIST PRICE
Relief Valve Total			
0887327	RK 990 VT	4"	\$376.00
0887328	RK 990 VT	6"	376.00
0887329	RK 990 VT	8"	1,243.00

Kit consists of: relief valve stem assembly, seat O-ring.

Relief Valve Rubber Parts

0887324	RK 990 RV	4"	243.00
0887325	RK 990 RV	6"	264.50
0887326	RK 990 RV	8"	281.50

Kit consists of: relief valve diaphragm, piston O-rings, seat disc, seat O-ring.



Series 990, 990RPDA

Reduced Pressure Zone Assemblies

Reduced Pressure Detector Assemblies

Sizes 4" – 8"

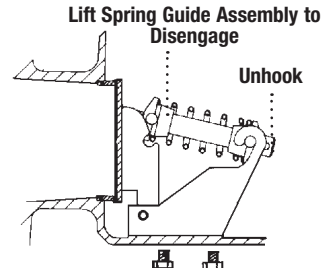
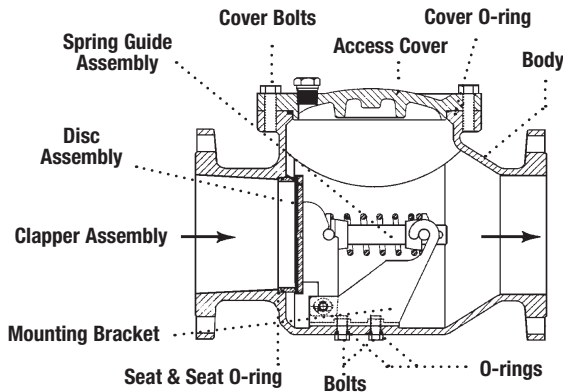


Fig. 1

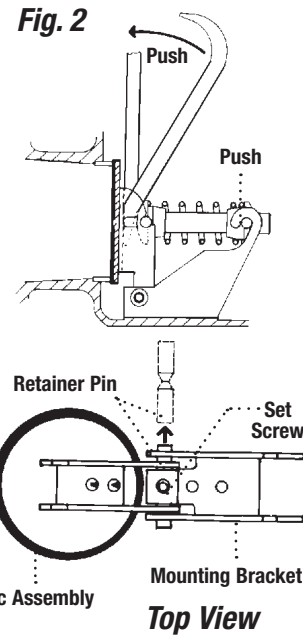


Fig. 3

Top View

Check valve kits

When ordering specify Ordering Code, Kit No., and Valve Size.

Series 990

ORDERING CODE	KIT NO.	SIZE	LIST PRICE
First Check Repair Kits			
0887315	RK 990 CK1	4"	\$606.00
0887316	RK 990 CK1	6"	754.00
0887317	RK 990 CK1	8"	1,500.00

Second Check Repair Kits

0887318	RK 990 CK2	4"	512.00
0887319	RK 990 CK2	6"	945.00
0887320	RK 990 CK2	8"	1,656.00

Kit consists of: spring assembly and cover O-ring.

Check Rubber Parts

0887321	RK 990 RC1	4"	954.00
0887322	RK 990 RC1	6"	1,251.00
0887313	RK 990 RC2	4"	939.00
0887314	RK 990 RC2	6"	1,249.00
0887323	RK 990 RC4	8"	1,162.00

Kit consists of: cover O-ring, two bolt O-rings and disc assembly for one check.

Seat Kits

0887330	RK 990 S	4"	131.00
0887331	RK 990 S	6"	203.00
0887332	RK 990 S	8"	257.50

Kit consists of: seat and seat O-ring for one check.

Complete Rubber Parts

0887333	RK 990 RT	4"	1,936.00
0887334	RK 990 RT	6"	2,538.00
0887335	RK 990 RT	8"	2,504.00

Kit consists of: two cover O-rings, four bolt O-rings, two disc assemblies, one relief valve diaphragm, relief valve cover O-ring, piston O-ring, relief valve seat disc and seat O-ring.

Complete Repair Kits

0887336	RK 990 T	4"	2,862.00
0887337	RK 990 T	6"	3,310.00
0887338	RK 990 T	8"	6,746.00

Kit consists of: two cover O-rings, four bolt O-rings, two disc assemblies, two spring assemblies, relief valve, stem assembly, seat O-ring and cover O-ring.

Series 990RPDA

ORDERING CODE	KIT NO.	SIZE	LIST PRICE
First Check Repair Kits			
0887340	RK 990RPDA CK1	4"	\$606.00
0887342	RK 990RPDA CK1	8"	1,500.00

Second Check Repair Kits

0887343	RK 990RPDA CK2	4"	512.00
0887345	RK 990RPDA CK2	8"	1,656.00

Kit consists of: spring assembly and cover O-ring.

Check Rubber Parts

0887346	RK 990RPDA RC1	4"	954.50
0887366	RK 990RPDA RC2	4"	940.50
0887367	RK 990RPDA RC2	6"	1,251.00

Kit consists of: cover O-ring, two bolt O-ring and disc assembly for one check.

Complete Rubber Parts

0887361	RK 990RPDA RT	4"	1,934.00
0887362	RK 990RPDA RT	6"	2,538.00
0887363	RK 990RPDA RT	8"	2,552.00

Kit consists of: two cover O-rings, four bolt O-rings, two disc assemblies, one relief valve diaphragm, relief valve cover O-ring, piston O-ring, relief valve seat disc and seat O-ring.

*The wetted surface of this product contacted by consumable water contains less than 0.25% of lead by weight.

2 Reduced Pressure Zone Assemblies

Series 992

Reduced Pressure Zone Assemblies

Sizes 4" – 10"

Relief Valve Kits

Series 992

Series 992 utilizes 990 Repair Kits

When ordering specify Ordering Code, Kit No., and Valve Size.

ORDERING CODE	KIT NO.	SIZE	LIST PRICE
Relief Valve Total			
0887327	RK 990 VT	4"	\$376.00
0887328	RK 990 VT	6" – 8"	376.00
0887329	RK 990 VT	10"	1,243.00

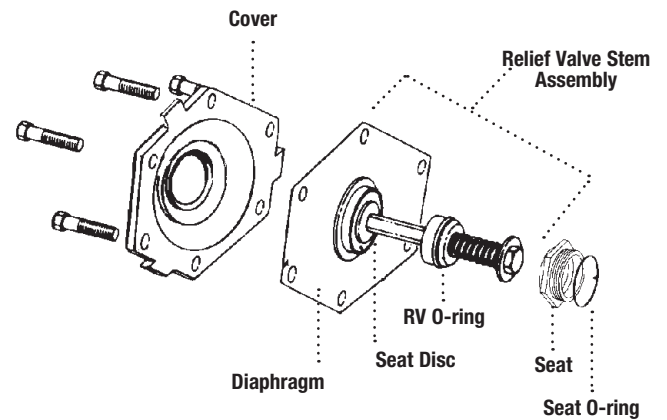
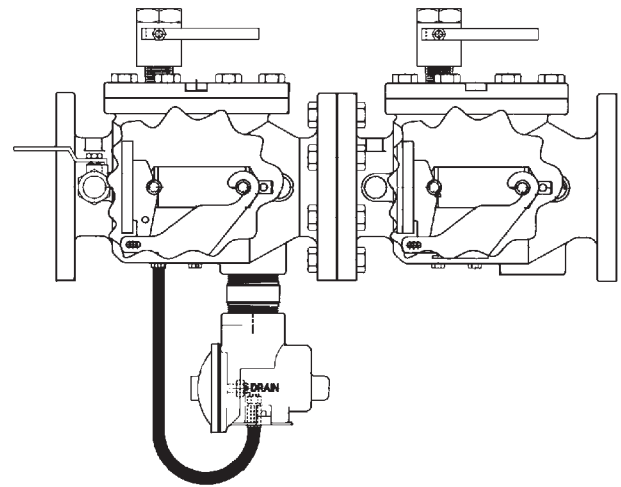
Kit consists of: relief valve stem assembly and seat O-ring.

Relief Valve Rubber Parts

0887324	RK 990 RV	4"	243.00
0887325	RK 990 RV	6" – 8"	264.50
0887326	RK 990 RV	10"	281.50

Kit consists of: relief valve diaphragm, piston O-rings, seat disc and seat O-ring.

Watts 990

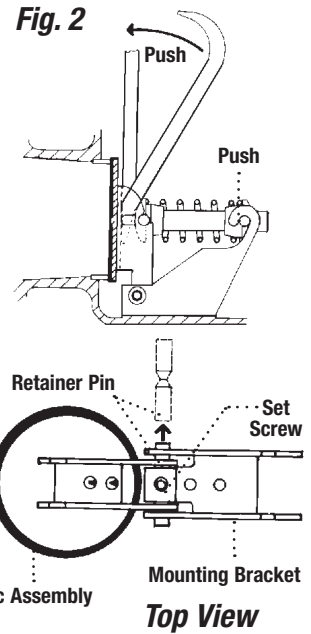
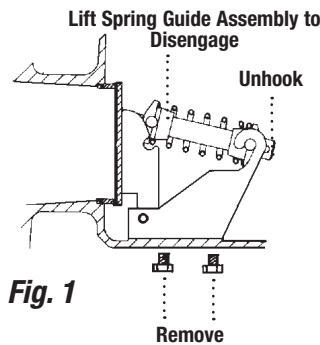
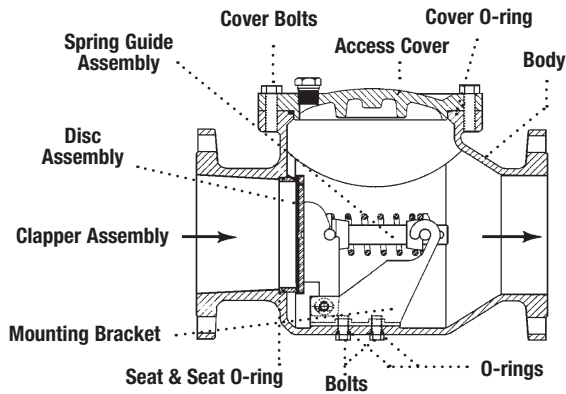


Series 992, 992RPDA

Reduced Pressure Zone Assemblies

Reduced Pressure Detector Assemblies

Sizes 4" – 10"



Check valve kits

Series 992

Series 992 utilizes 990 Repair Kits

When ordering specify Ordering Code, Kit No., and Valve Size.

	ORDERING CODE	KIT NO.	FITS SIZES	LIST PRICE
First Check Repair Kits				
LEAD FREE	0887315	RK 990 CK1	4"	\$606.00
	0887316	RK 990 CK1	6" – 8"	754.00
	0887317	RK 990 CK1	10"	1,500.00
Second Check Repair Kits				
LEAD FREE	0887318	RK 990 CK2	4"	512.00
	0887319	RK 990 CK2	6" – 8"	945.00
	0887320	RK 990 CK2	10"	1,656.00

Kit consists of: spring assembly and cover O-ring.

Check Rubber Parts

	ORDERING CODE	KIT NO.	FITS SIZES	LIST PRICE
LEAD FREE	0887321	RK 990 RC4	4"	954.00
	0887322	RK 990 RC4	6" – 8"	1,251.00
	0887323	RK 990 RC4	10"	1,162.00

Kit consists of: cover O-ring, two bolt O-rings and disc assembly for one check.

Seat Kits

	ORDERING CODE	KIT NO.	FITS SIZES	LIST PRICE
	0887330	RK 990 S	4"	131.00
	0887331	RK 990 S	6" – 8"	203.00
	0887332	RK 990 S	10"	257.50

Kit consists of: seat and seat O-ring for one check.

Complete Rubber Parts

	ORDERING CODE	KIT NO.	FITS SIZES	LIST PRICE
	0887333	RK 990 RT	4"	1,936.00
	0887334	RK 990 RT	6" – 8"	2,538.00
	0887335	RK 990 RT	10"	2,504.00

Kit consists of: two cover O-rings, four bolt O-rings, two disc assemblies, one relief valve diaphragm, relief valve cover O-ring, piston O-ring, relief valve seat disc and seat O-ring.

Series 992RPDA

	ORDERING CODE	KIT NO.	FITS SIZES	LIST PRICE
First Check Repair Kits				
LEAD FREE	0887340	RK 990RPDA CK1	4"	\$606.00
	0887342	RK 990RPDA CK1	10"	1,500.00
Second Check Repair Kits				
LEAD FREE	0887343	RK 990RPDA CK2	4"	512.00
	0887345	RK 990RPDA CK2	10"	1,656.00

Kit consists of: spring assembly and cover O-ring.

Check Rubber Parts

	ORDERING CODE	KIT NO.	FITS SIZES	LIST PRICE
LEAD FREE	0887346	RK 990RPDA RC4	4"	954.50

Kit consists of: cover O-ring, two bolt O-ring and disc assembly for one check.

Complete Rubber Parts

	ORDERING CODE	KIT NO.	FITS SIZES	LIST PRICE
	0887361	RK 990RPDA RT	4"	1,934.00
	0887362	RK 990RPDA RT	6" – 8"	2,538.00
	0887363	RK 990RPDA RT	10"	2,552.00

Kit consists of: two cover O-rings, four bolt O-rings, two disc assemblies, one relief valve diaphragm, relief valve cover O-ring, piston O-ring, relief valve seat disc and seat O-ring.

*The wetted surface of this product contacted by consumable water contains less than 0.25% of lead by weight.

Series 993, 993RPDA

Reduced Pressure Zone Assemblies

Reduced Pressure Detector Assemblies

4" and 6"

Relief Valve Kits

When ordering specify Ordering Code, Kit No., and Valve Size.

Series 993

ORDERING CODE	KIT NO.	SIZE	LIST PRICE
Relief Valve Rubber Parts			
0888045	RK 993 RV	4"	\$243.00
0888507	RK 993 RV	6"	243.00

Kit consists of: relief valve diaphragm, piston O-rings, disc assembly, seat O-ring and lubricant.

Relief Valve Total

0888046	RK 993 VT	4"	376.00
0888508	RK 993 VT	6"	376.00

Kit consists of: relief valve stem assembly, seat O-ring, and lubricant.

Series 993RPDA

Relief Valve Rubber Parts

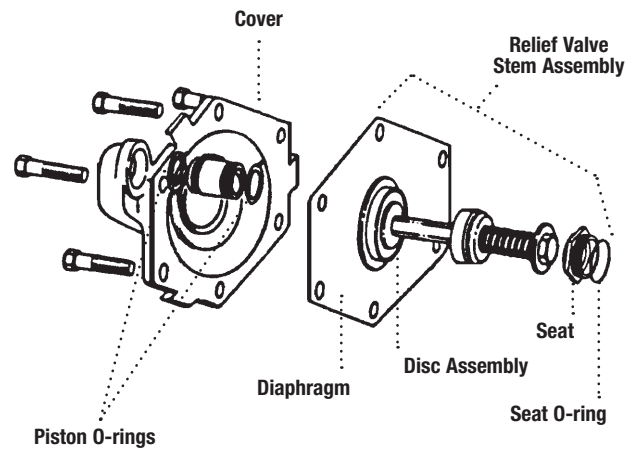
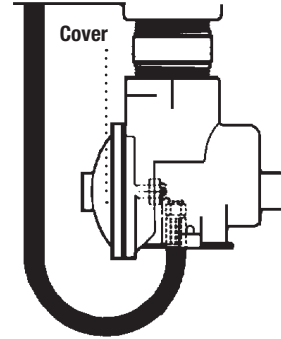
0888405	RK 993RPDA RV	4"	243.00
0888517	RK 993RPDA RV	6"	243.00

Kit consists of: relief valve diaphragm, piston O-rings, disc assembly, seat O-ring and lubricant.

Relief Valve Total

0888406	RK 993RPDA VT	4"	376.00
0888518	RK 993RPDA VT	6"	376.00

Kit consists of: relief valve stem assembly, seat O-ring, and lubricant.



Series 993, 993RPDA

Reduced Pressure Zone Assemblies

Reduced Pressure Detector Assemblies

Sizes 4" and 6"

Check valve kits

When ordering specify Ordering Code, Kit No., and Valve Size.

Series 993

ORDERING CODE	KIT NO.	SIZE	LIST PRICE
---------------	---------	------	------------

First Check Kits

0888040	RK 993 CK1	4"	\$748.00
0888500	RK 993 CK1	6"	1,338.00

Second Check Kits

0888041	RK 993 CK2	4"	708.50
0888501	RK 993 CK2	6"	1,222.00

Kit consists of: disc & spring assembly, cover O-ring and lubricant.

First Check Rubber Parts Kits

LEAD FREE	ORDERING CODE	KIT NO.	SIZE	LIST PRICE
	0888042	RK 993 RC1	4"	109.50
	0888502	RK 993 RC1	6"	124.50

Second Check Rubber Parts Kits

LEAD FREE	ORDERING CODE	KIT NO.	SIZE	LIST PRICE
	0888043	RK 993 RC2	4"	109.50
	0888503	RK 993 RC2	6"	124.50

Kit consists of: disc assembly, cover O-ring and lubricant.

Seat Kit for Checks

0888044	RK 993 S	4"	257.00
0888504	RK 993 S	6"	439.50

Kit consists of: seat, seat O-ring, cover O-ring, retainer wire and lubricant.

Total Rubber Parts Kits

0888048	RK 993 RT	4"	460.00
0888505	RK 993 RT	6"	490.50

Kit consists of: disc assembly, cover O-ring, sleeve O-ring, piston O-ring, RV disc assembly, diaphragm, piston seat and lubricant.

Cover Kits

LEAD FREE	ORDERING CODE	KIT NO.	SIZE	LIST PRICE
	0888047	RK 993 C	4"	313.00
	0888506	RK 993 C	6"	435.50

Kit consists of: cover, cover O-ring and lubricant.

Series 993RPDA

ORDERING CODE	KIT NO.	SIZE	LIST PRICE
---------------	---------	------	------------

First Check Kits

0888510	RK 993RPDA CK1	6"	\$ 1,396.00
---------	----------------	----	-------------

Second Check Kits

0888401	RK 993RPDA CK2	4"	708.50
0888511	RK 993RPDA CK2	6"	1,222.00

Kit consists of: disc & spring assembly, cover O-ring and lubricant.

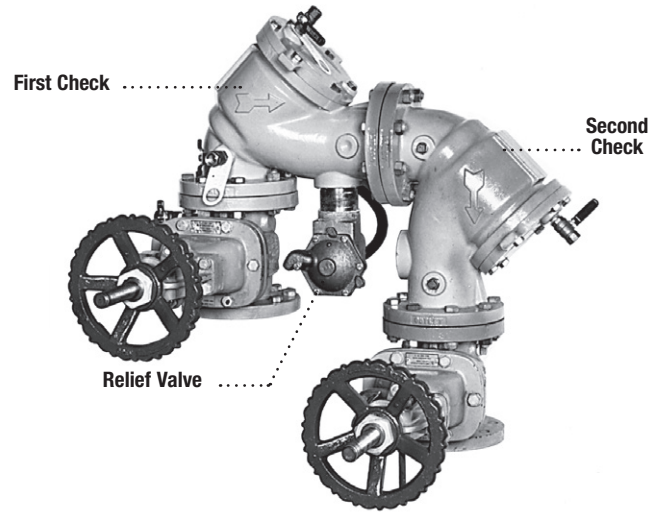
First Check Rubber Parts Kits

LEAD FREE	ORDERING CODE	KIT NO.	SIZE	LIST PRICE
	0888402	RK 993RPDA RC1	4"	109.50
	0888512	RK 993RPDA RC1	6"	124.50

Second Check Rubber Parts Kits

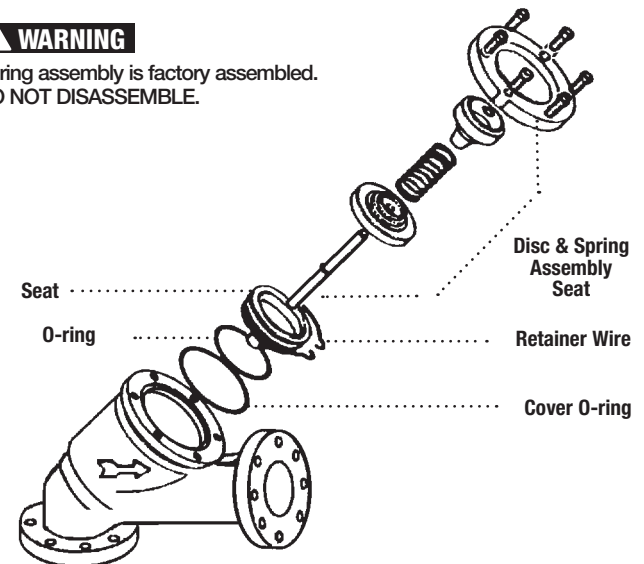
LEAD FREE	ORDERING CODE	KIT NO.	SIZE	LIST PRICE
	0888403	RK 993RPDA RC2	4"	109.50
	0888513	RK 993RPDA RC2	6"	124.50

Kit consists of: disc assembly, cover O-ring and lubricant.



⚠ WARNING

Spring assembly is factory assembled.
DO NOT DISASSEMBLE.



ORDERING CODE	KIT NO.	SIZE	LIST PRICE
---------------	---------	------	------------

Seat Kit for Checks

0888404	RK 993RPDA S	4"	\$257.00
0888514	RK 993RPDA S	6"	439.50

Kit consists of: seat, seat O-ring, cover O-ring, retainer wire and lubricant.

Total Rubber Parts Kits

0888408	RK 993RPDA RT	4"	460.00
0888515	RK 993RPDA RT	6"	490.50

Kit consists of: disc assembly, cover O-ring, sleeve O-ring, piston O-ring, RV disc assembly, diaphragm, piston seat and lubricant.

Cover Kits

LEAD FREE	ORDERING CODE	KIT NO.	SIZE	LIST PRICE
	0888407	RK 993RPDA C	4"	313.00
	0888516	RK 993RPDA C	6"	435.50

Kit consists of: cover, cover O-ring and lubricant.

*The wetted surface of this product contacted by consumable water contains less than 0.25% of lead by weight.

Series 994, 994RPDA

Reduced Pressure Zone Assemblies

Reduced Pressure Detector Assemblies

Sizes 2 1/2" – 10"

Repair Kits

When ordering specify Ordering Code, Kit No., and Valve Size.

ORDERING CODE	KIT NO.	SIZE	LIST PRICE
First Check Kits			
0888830	RK 994/994 RPDA CK1	2 1/2", 3", 4"	\$329.00
0888831	RK 994/994 RPDA CK1	6"	353.00
0888832	RK 994/994 RPDA CK1	8", 10"	1,498.00

Kit consists of: complete No. 1 check with check O-ring.

ORDERING CODE	KIT NO.	SIZE	LIST PRICE
Second Check Kits			
0888833	RK 994/994 RPDA CK2	2 1/2", 3", 4"	297.50
0888834	RK 994/994 RPDA CK2	6"	317.00
0888835	RK 994/994 RPDA CK2	8", 10"	913.00

Kit consists of: complete No. 2 check with check O-ring.

ORDERING CODE	KIT NO.	SIZE	LIST PRICE
Cover Kits			
0888836	RK 994/994 RPDA C	2 1/2", 3", 4"	285.50
0888837	RK 994/994 RPDA C	6"	404.50
0888838	RK 994/994 RPDA C	8", 10"	622.50

Kit consists of: cover, grooved coupler, gasket.

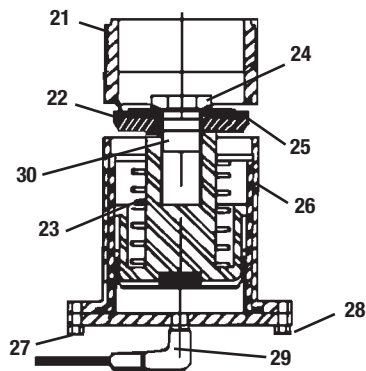
ORDERING CODE	KIT NO.	SIZE	LIST PRICE
Relief Valve Rubber Parts Kits			
0888839	RK 994/994 RPDA RV	2 1/2" – 10"	182.00

Kit consists of: rubber disc, piston diaphragm assembly, disc retainer, relief valve body O-ring.

ORDERING CODE	KIT NO.	SIZE	LIST PRICE
Relief Valve Total Kits			
0888840	RK 994/994 RPDA VT	2 1/2" – 10"	1,145.00

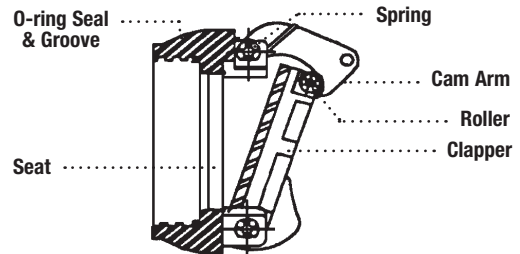
Kit consists of: body, disc, piston diaphragm assembly, hex head bolt, disc retainer, sleeve, bottom bolt, shut-off plate and bottom flange.

Use 2 1/2" – 4" repair kits for repair of 994 BLT, 994 HMB

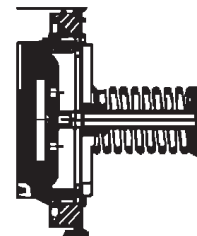


*The wetted surface of this product contacted by consumable water contains less than 0.25% of lead by weight.

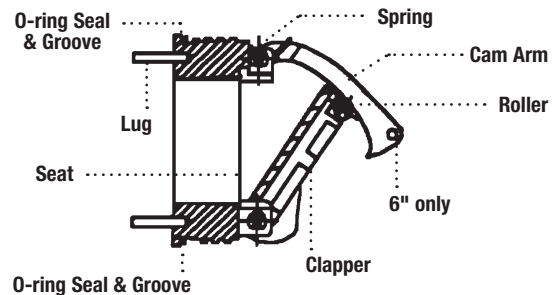
No. 1 Check 2 1/2" & 6"



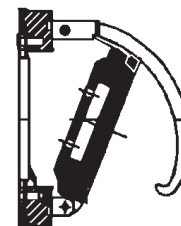
No. 1 Cam-Check 8" & 10"



No. 2 Check 2 1/2" & 6"



No. 2 Cam-Check 8" & 10"



Parts Table

ITEM	PART DESCRIPTION	QTY.
21	Relief valve body	1
22	Rubber shutoff disc	1
23	Piston diaphragm assembly	1
24	Hex head bolt	1
25	Disc retainer	1
26	Sleeve	1
27	Bottom bolt	1
28	Bottom flange (w. st. elbow)	1
29	Bottom St. Elbow	1
30	O-ring disc	1

Series 995

Reduced Pressure Zone Assemblies

Sizes 1/2" – 1 1/2"

Repair Kits

When ordering specify Ordering Code, Kit No., and Valve Size.

ORDERING CODE	KIT NO.	SIZE	LIST PRICE
---------------	---------	------	------------

First Check Kits

LEAD FREE	ORDERING CODE	KIT NO.	SIZE	LIST PRICE
	0888580	RK 995 CK1	1/2" – 3/4"	\$37.50
	0888581	RK 995 CK1	1"	67.75

Kit consists of: check assembly and cover O-ring.

Second Check Kits

LEAD FREE	ORDERING CODE	KIT NO.	SIZE	LIST PRICE
	0888582	RK 995 CK2	1/2" – 3/4"	30.75
	0888583	RK 995 CK2	1"	61.75

Kit consists of: check assembly and cover O-ring.

First Check Rubber Parts

LEAD FREE	ORDERING CODE	KIT NO.	SIZE	LIST PRICE
	0888584	RK 995 RC1	1/2" – 3/4"	13.00
	0888585	RK 995 RC1	1"	13.00
	0888054	RK 995 RC1	1 1/4" – 1 1/2"	16.75

Kit consists of: seat O-ring, disc assembly and cover O-ring.

Second Check Rubber Parts

LEAD FREE	ORDERING CODE	KIT NO.	SIZE	LIST PRICE
	0888586	RK 995 RC2	1/2" – 3/4"	13.00
	0888587	RK 995 RC2	1"	13.00
	0888056	RK 995 RC2	1 1/4" – 1 1/2"	16.75

Kit consists of: seat O-ring, disc assembly and cover O-ring.

Cover Kits

LEAD FREE	ORDERING CODE	KIT NO.	SIZE	LIST PRICE
	0888590	RK 995 C	1/2" – 3/4"	70.75
	0888591	RK 995 C	1"	102.50
	0888064	RK 995 C	1 1/4" – 1 1/2"	137.50

Kit consists of: cover and cover O-ring.

Relief Valve Kits

LEAD FREE	ORDERING CODE	KIT NO.	SIZE	LIST PRICE
	0888060	RK 995 VT	1 1/4" – 1 1/2"	233.00

Kit consists of: seat, seat O-ring, stem and diaphragm assembly, stem O-ring, cover O-ring and relief valve spring.

Relief Valve Rubber Parts Kits

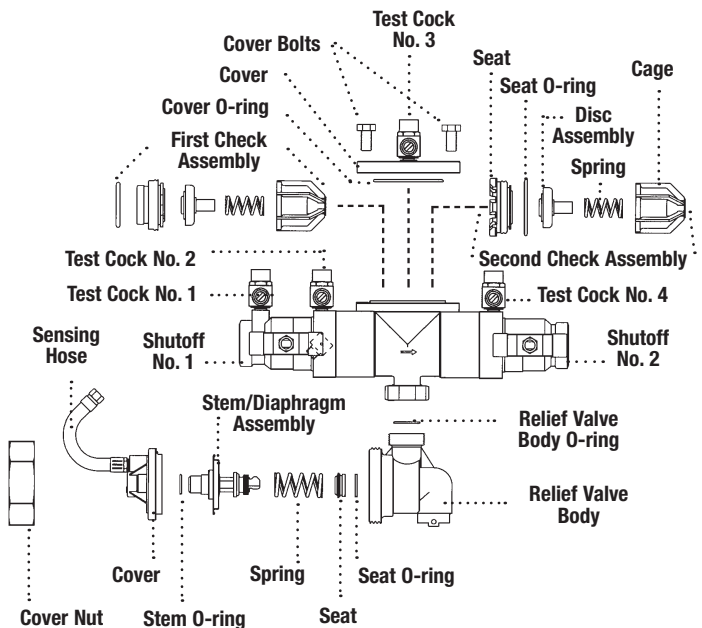
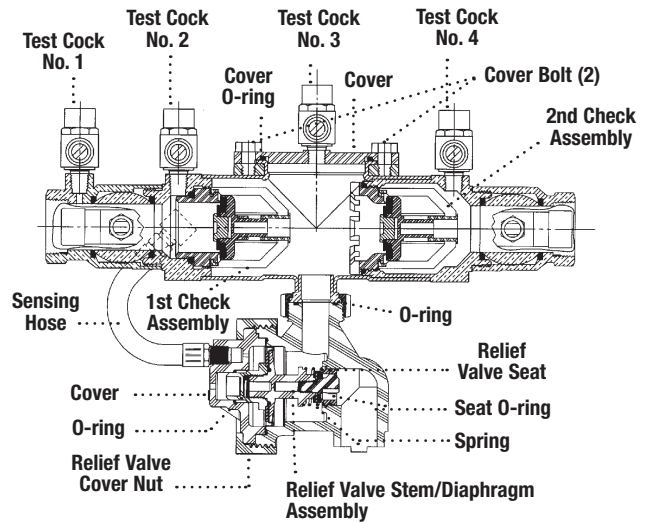
LEAD FREE	ORDERING CODE	KIT NO.	SIZE	LIST PRICE
	0888588	RK 995 RV	1/2" – 1"	50.75
	0888058	RK 995 RV	1 1/4" – 1 1/2"	56.75

Kit consists of: diaphragm, disc, stem spring, seat O-ring and cover O-ring.

Total Rubber Parts Kits

LEAD FREE	ORDERING CODE	KIT NO.	SIZE	LIST PRICE
	0888592	RK 995 RT	1/2" – 3/4"	72.50
	0888593	RK 995 RT	1"	72.50
	0888062	RK 995 RT	1 1/4" – 1 1/2"	91.25

Kit consists of: diaphragm, relief valve disc, two check valve disc assemblies, stem O-ring, cover O-ring, two check seat O-rings, relief valve seat O-ring and relief valve body O-ring.



*The wetted surface of this product contacted by consumable water contains less than 0.25% of lead by weight.

Series 995, 995RPDA

Reduced Pressure Zone Assemblies

Reduced Pressure Detector Assemblies

Sizes 3" – 6"

Repair Kits

When ordering specify Ordering Code, Kit No., and Valve Size.

	ORDERING CODE	KIT NO.	SIZE	FOR USE W/MODEL #S	LIST PRICE
--	---------------	---------	------	--------------------	------------

First Check Kits

LEAD FREE	0888915	RK 995/995 RPDA CK1	3" – 4"	3" – 4" 995/995 RPDA	\$506.00
	0888916	RK 995/995 RPDA CK1	6"	6" 995/995 RPDA	679.00

Kit consists of: complete #1 check assembly and check O-ring.

Second Check Kits

LEAD FREE	0888917	RK 995/995 RPDA CK2	3" – 4"	3" – 4" 995/995 RPDA	575.00
	0888918	RK 995/995 RPDA CK2	6"	6" 995/995 RPDA	793.50

Kit consists of: complete #2 check assembly and check O-ring.

First Check Rubber Parts Kits

LEAD FREE	0888923	RK 995/995 RPDA RC1	3" – 4"	3" – 4" 995/995 RPDA	20.75
	0888924	RK 995/995 RPDA RC1	6"	6" 995/995 RPDA	29.50

Kit consists of: first check assembly O-ring, check disc, and (2) C-clips.

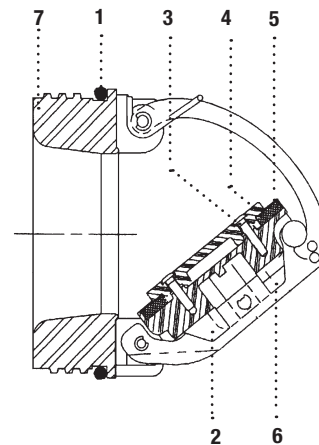
Second Check Rubber Parts Kits

LEAD FREE	0888925	RK 995/995 RPDA RC2	3" – 4"	3" – 4" 995/995 RPDA	32.00
	0888926	RK 995/995 RPDA RC2	6"	6" 995/995 RPDA	46.75

Kit consists of: second check assembly O-ring, check disc, and (2) C-clips.

Parts Table

ITEM	PART DESCRIPTION	QTY.
1	1st Cam-Check O-ring (removable)	1
2	Clapper Assembly (removable)	1
3	Clapper Retaining Plate Screws (removable)	4
4	Clapper Retainer Plate (removable)	1
5	Clapper Disc (removable)	1
6	Pivot Arm Pin (removable) 2 C-clips	1
7	2nd Cam-Check O-ring (removable)	1



Align holes and insert pin or small screwdriver to hold in open position.

*The wetted surface of this product contacted by consumable water contains less than 0.25% of lead by weight.

Troubleshooting Guide

Reduced Pressure Zone Assemblies, Reduced Pressure Detector Assemblies

2

Reduced Pressure Zone Assemblies

PROBLEM	CAUSE	Should valve be replaced?	SOLUTION
A. Valve spits periodically from the vent.			
	A.1 Fluctuating supply pressure.	No	A.1 Install a spring-loaded, soft seated check valve immediately upstream of the device.
	A.2 Fluctuating downstream pressure.	No	A.2 Install a spring-loaded, soft seated check valve downstream of the device as close as possible to the shutoff valve.
B. Valve drips continually from the vent.			
	B.1 Fouled first check.	No	B.1 Flush valve. If flushing does not resolve problem, disassemble valve and clean or replace the first check.
	B.2 Damaged or fouled relief valve seat.	No	B.2 Clean or replace the relief valve seat.
	B.3 Relief valve piston O-ring not free to move due to pipe scale, dirt or build-up of mineral deposits.	No	B.3 Clean, grease or replace the piston O-ring.
	B.4 Excessive backpressure, freezing, or water	No	B.4 Eliminate source of excessive backpressure or hammer has distorted the second check water hammer in the system downstream of the device. Use Watts Series LF601/601 to dampen out backpressure and Series LF15/15 to eliminate water hammer. Replace defective second check assembly. In case of freezing; thaw, disassemble, and inspect internal components. Replace as necessary.
	B.5 Electrolysis of relief valve seat or first .	No	B.5 Replace relief valve seat or inlet cover. Install check seats dielectric unions (Watts Series LF3001/3001 through LF3006/3006). Electrically ground the piping system and/or electrically isolate the device with plastic pipe immediately upstream and downstream of the device.
	B.6 Valve improperly reassembled.	No	B.6 If valve is disassembled during installation, caution must be exercised to install check springs in their proper location.
C. Valve exhibits high pressure drop.			
	C.1 Fouled strainer.	No	C.1 Clean strainer element or replace.
	C.2 Valve too small for flows encountered.	Yes	C.2 Install proper sized device based upon flow requirements.
D. No water flows downstream of valve.			
	D. Valve installed backwards.	No	D. Install valve in accordance with flow direction arrow.
E. Valve does not test properly.			
	E.1 Follow manufacturer's test procedure.	No	E.1, E.2 Clean or replace gate valve with full port ball valves or resilient wedge shutoff valves.
	E.2 Leaky downstream gate valve.	No	
F. Valve quickly and repeatedly fouls following servicing.			
	F. Debris in pipe line is too fine to be trapped by strainer.	No	F. Install finer mesh strainer element in the strainer.
G. Winterization of backflow preventers.			
			G. Prevent freeze damage by enclosing in a WATTSBOX heated enclosure. For additional information, send for literature ES-WB.

Series 008, LF008, 008PC, LF008PC

Anti-Siphon, Anti-Spill Vacuum Breaker

Sizes 3/8" – 1"

Repair Kits

When ordering specify Ordering Code, Kit No., and Valve Size.

ORDERING CODE	KIT NO.	SIZE	LIST PRICE
---------------	---------	------	------------

Check Kits

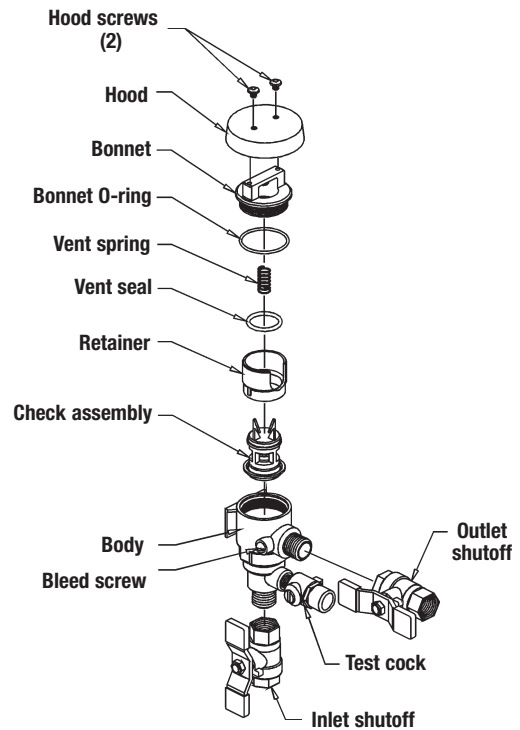
LEAD FREE	0887972	RK 008 T	3/8", 1/2"	\$61.25
	0887974	RK 008 T	3/4" – 1"	125.00

Kit consists of: check assembly, O-ring, spring, vent O-ring, bleed screw O-ring and retainer.

Bonnet Kits

LEAD FREE	0888012	RK 008 B	3/8", 1/2"	19.75
	0887973	RK 008 B	3/4" – 1"	41.75

Kit consists of: bonnet, bonnet O-ring and vent spring.



Series 800M, 800CM

Pressure Vacuum Breaker Compact Model

Sizes 1/2" and 3/4"

Repair Kits

When ordering specify Ordering Code, Kit No., and Valve Size.

ORDERING CODE	KIT NO.	SIZE	LIST PRICE
0886043	RK 800M C	1/2", 3/4"	\$21.00

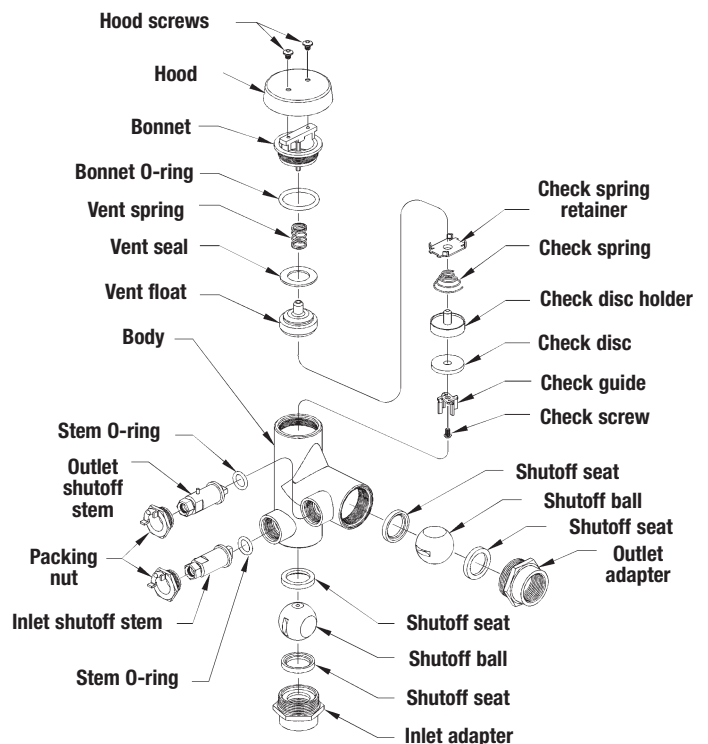
Kit consists of: brass cover (hood) and screws.

0886044	RK 800CM C	1/2", 3/4"	25.25
---------	------------	------------	-------

Kit consists of: chrome cover (hood) and screws.

0886030	RK 800M/CM T	1/2", 3/4"	65.25
---------	--------------	------------	-------

Kit consists of: check disc assembly, vent float & vent seal, check spring, vent spring, bonnet assembly and hood screws.



*The wetted surface of this product contacted by consumable water contains less than 0.25% of lead by weight.

Series 800M4, LF800M4, 800M4FR, LF800M4FR

Pressure Vacuum Breaker

Sizes 1/2" – 2"

Repair Kits

When ordering specify Ordering Code, Kit No., and Valve Size.

ORDERING CODE	KIT NO.	SIZE	LIST PRICE
---------------	---------	------	------------

Total Repair Kits

LEAD FREE	ORDERING CODE	KIT NO.	SIZE	LIST PRICE
	0887727	RK 800M4-T	1/2", 3/4"	\$80.00
	0887728	RK 800M4-T	1"	97.00
	0887729	RK 800M4-T	1 1/4" – 2"	192.00

Kit consists of: check valve repair kit, vent float repair kit, bonnet assembly repair kit, seat repair kit

Check Kits

LEAD FREE	ORDERING CODE	KIT NO.	SIZE	LIST PRICE
	0887703	**RK 800M4 CK	1/2", 3/4"	\$25.75
	0887704	**RK 800M4 CK	1"	25.75
	0887705	**RK 800M4 CK	1 1/4" – 2"	45.50

Kit consists of: check disc assembly (disc & disc holder), bonnet O-ring and check spring.
**Fits 800M4FR models

Vent Float Kits

LEAD FREE	ORDERING CODE	KIT NO.	SIZE	LIST PRICE
	0887709	RK 800M4 V	1/2", 3/4"	11.75
	0887710	RK 800M4 V	1"	11.75
	0887711	RK 800M4 V	1 1/4" – 2"	41.00

Kit consists of: float vent disc assembly (vent float, seal & spring) and bonnet O-ring.

FR Vent Float Kits

LEAD FREE	ORDERING CODE	KIT NO.	SIZE	LIST PRICE
	0887725	RK 800M4 FRV	1/2", 3/4"	33.25
	0887715	RK 800M4 FRV	1"	39.75
	0887716	RK 800M4 FRV	1 1/4" – 2"	48.50

Kit consists of: float disc assembly, vent spring and bonnet O-ring.

Retrofit Kits (Kits to convert 800M4QT to 800M4FR)

LEAD FREE	ORDERING CODE	KIT NO.	SIZE	LIST PRICE
	0887726	Retro 800M4 FR	1/2", 3/4"	35.50
	0887718	Retro 800M4 FR	1"	58.25
	0887717	Retro 800M4 FR	1 1/4" – 2"	70.75

Kit consists of: float disc assembly, vent spring, bonnet, bonnet O-ring. (1 1/4" – 2" Kit also includes hood & screws)

Bonnet Assembly Kits

LEAD FREE	ORDERING CODE	KIT NO.	SIZE	LIST PRICE
	0887700	RK 800M4 B	1/2", 3/4"	38.00
	0887701	RK 800M4 B	1"	38.50
	0887702	RK 800M4 B	1 1/4" – 2"	83.50

Kit consists of: bonnet, bonnet O-ring, vent spring, hood & hood screws.

Rubber Parts Kits

LEAD FREE	ORDERING CODE	KIT NO.	SIZE	LIST PRICE
	0887706	RK 800M4 RT	1/2", 3/4"	16.50
	0887707	RK 800M4 RT	1"	17.25
	0887708	RK 800M4 RT	1 1/4" – 2"	24.50

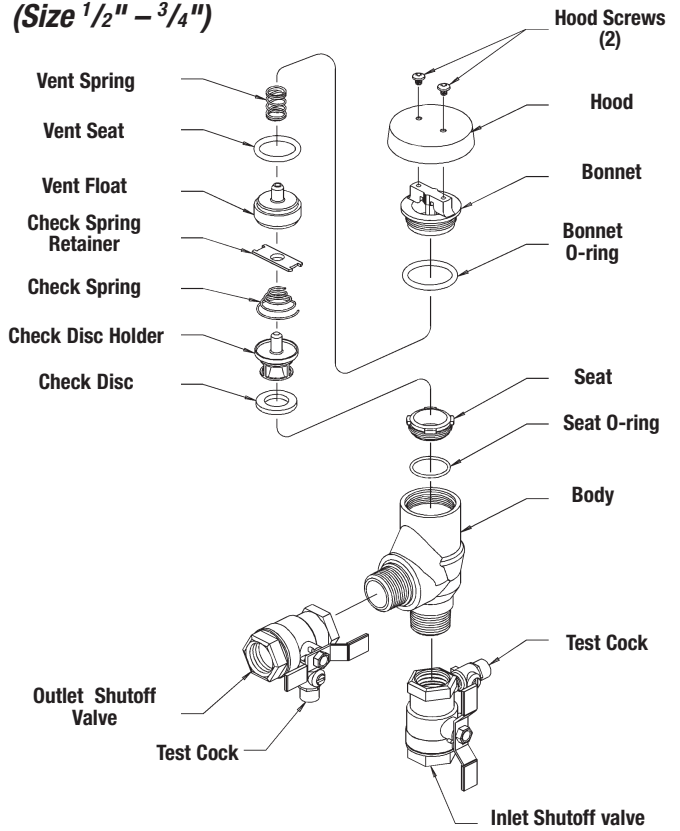
Kit consists of: vent seal, check disc and bonnet O-ring.

Seat Kits

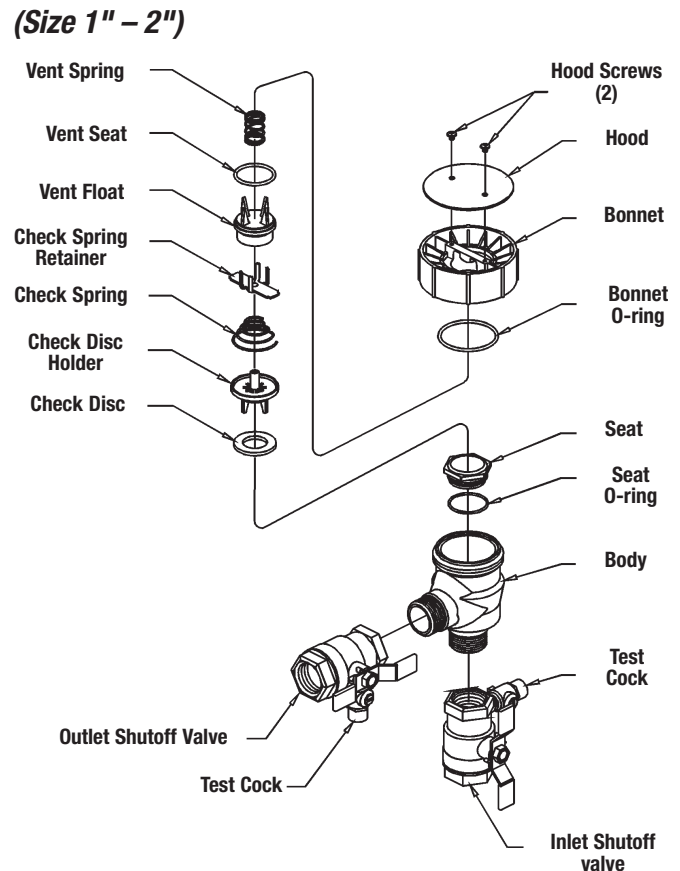
LEAD FREE	ORDERING CODE	KIT NO.	SIZE	LIST PRICE
	0887712	RK 800M4 S	1/2", 3/4"	19.75
	0887713	RK 800M4 S	1"	39.25
	0887714	RK 800M4 S	1 1/4" – 2"	56.00

Kit consists of: seat, seat O-ring and bonnet O-ring.

(Size 1/2" – 3/4")



(Size 1" – 2")



*The wetted surface of this product contacted by consumable water contains less than 0.25% of lead by weight.

Series 800M3

Pressure Vacuum Breaker

Sizes 1/2" and 3/4"

Repair Kits

When ordering specify Ordering Code, Kit No., and Valve Size.

ORDERING CODE	KIT NO.	SIZE	LIST PRICE
---------------	---------	------	------------

Check Kits

LEAD FREE	0886042	RK 800M3 CK	1/2", 3/4"	\$27.25
-----------	---------	-------------	------------	---------

Kit consists of: check disc assembly (disc & disc holder), bonnet O-ring and check spring.

Vent Float Kits

LEAD FREE	0886041	RK 800M3 V	1/2", 3/4"	13.25
-----------	---------	------------	------------	-------

Kit consists of: float vent disc assembly (vent float, seal & spring) and bonnet O-ring.

Bonnet Assembly Kits

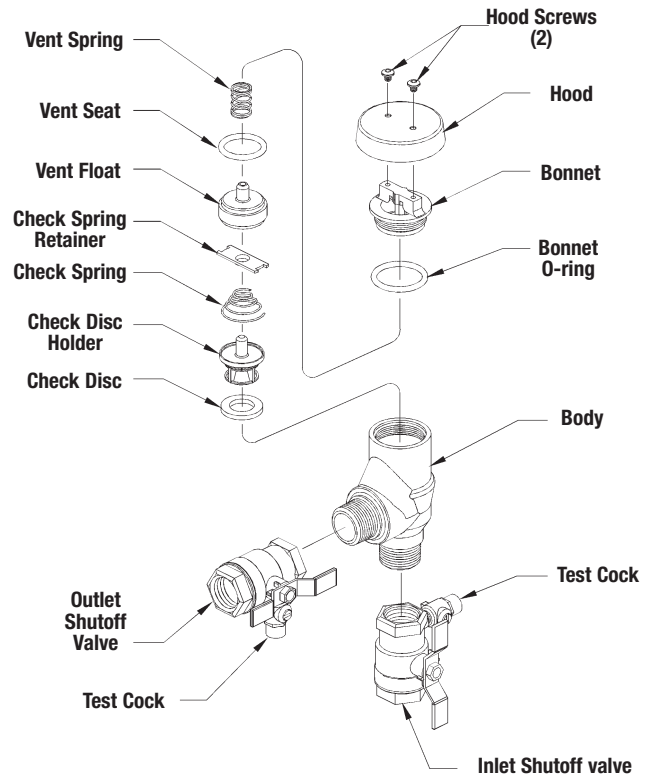
LEAD FREE	0886040	RK 800M3 B	1/2", 3/4"	41.00
-----------	---------	------------	------------	-------

Kit consists of: bonnet, bonnet O-ring, vent spring, hood & hood screws.

Rubber Part Kits

LEAD FREE	0886039	RK 800M3 RT	1/2", 3/4"	18.25
-----------	---------	-------------	------------	-------

Kit consists of: vent seal, check disc and bonnet O-ring.



Series 800M2

Pressure Vacuum Breaker

Sizes 1/2" – 2"

Repair Kits

When ordering specify Ordering Code, Kit No., and Valve Size.

ORDERING CODE	KIT NO.	SIZE	LIST PRICE
---------------	---------	------	------------

Check Kits

LEAD FREE	0886037	RK 800M2 CK	1/2" – 1"	\$27.25
	0886038	RK 800M2 CK	1 1/4" – 2"	48.25

Kit consists of: check disc assembly (disc & holder), bonnet O-ring and check spring.

Vent Float Kits

LEAD FREE	0886035	RK 800M2 V	1/2" – 1"	13.25
	0886036	RK 800M2 V	1 1/4" – 2"	31.50

Kit consists of: float vent disc assembly (vent float, seal & spring) and bonnet O-ring.

Bonnet Assembly Kits

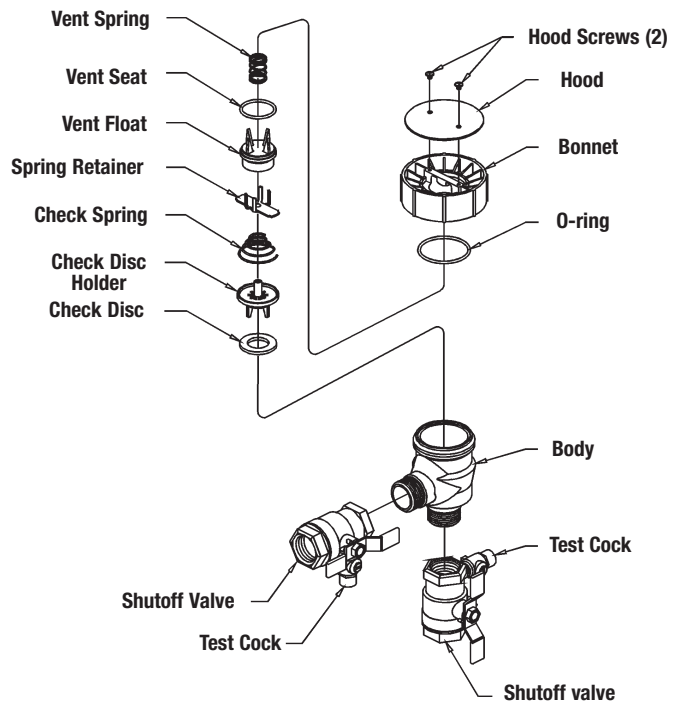
LEAD FREE	0886033	RK 800M2 B	1/2" – 1"	41.00
	0886034	RK 800M2 B	1 1/4" – 2"	90.25

Kit consists of: bonnet, bonnet O-ring, vent spring, hood & hood screws.

Rubber Parts Kits

LEAD FREE	0886031	RK 800M2 RT	1/2" – 1"	19.00
	0886032	RK 800M2 RT	1 1/4" – 2"	26.75

Kit consists of: vent seal, check disc and bonnet O-ring.



*The wetted surface of this product contacted by consumable water contains less than 0.25% of lead by weight.

Series 800

Pressure Vacuum Breaker

Sizes 1/2" – 2"

Repair Kits

When ordering specify Ordering Code, Kit No., and Valve Size.

ORDERING CODE	KIT NO.	SIZE	LIST PRICE
Check Kits			
0886027	RK 800 CK	1/2" – 1"	\$48.50
0886028	RK 800 CK	1 1/4" – 2"	128.50

Kit consists of: check disc assembly (disc holder, disc, washer, guide and screw), bonnet O-ring and check spring.

Vent Float Kits

LEAD FREE	ORDERING CODE	KIT NO.	SIZE	LIST PRICE
	0886025	RK 800 V	1/2" – 1"	48.50
	0886026	RK 800 V	1 1/4" – 2"	177.50

Kit consists of: float vent disc assembly and bonnet O-ring.

Bonnet Kits

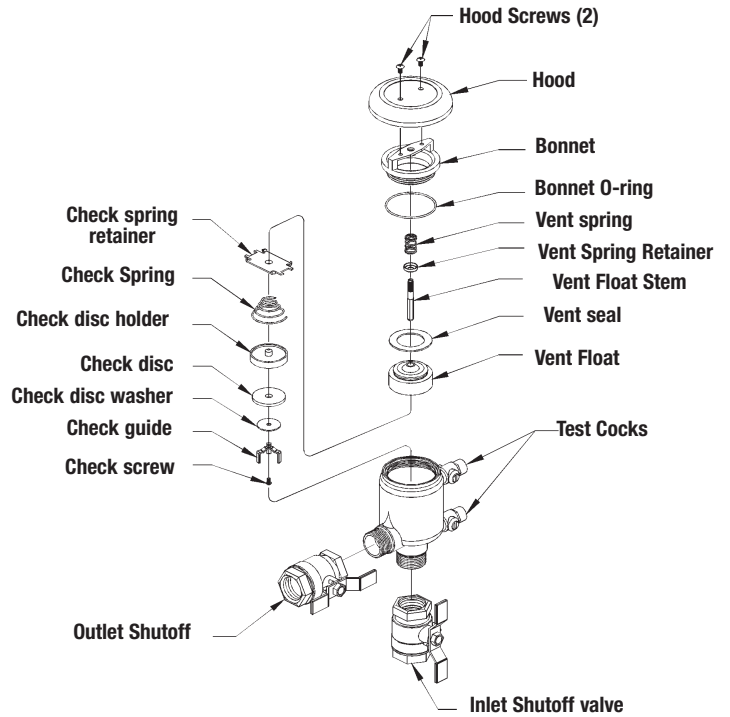
LEAD FREE	ORDERING CODE	KIT NO.	SIZE	LIST PRICE
	0886023	RK 800 B	1/2" – 1"	100.50
	0886024	RK 800 B	1 1/4" – 2"	174.50

Kit consists of: bonnet, vent float stem, vent retainer, spring and bonnet O-ring.

Rubber Parts Kits

LEAD FREE	ORDERING CODE	KIT NO.	SIZE	LIST PRICE
	0886021	RK 800 RT	1/2" – 1"	42.75
	0886022	RK 800 RT	1 1/4" – 2"	70.50

Kit consists of: vent seal, check disc and bonnet O-ring.



3

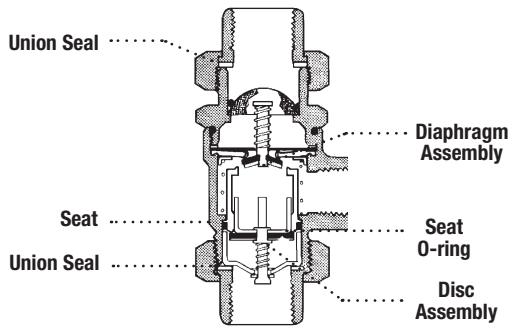
Vacuum Breakers

*The wetted surface of this product contacted by consumable water contains less than 0.25% of lead by weight.

Repair Kits

When ordering specify Ordering Code, Kit No., and Valve Size.

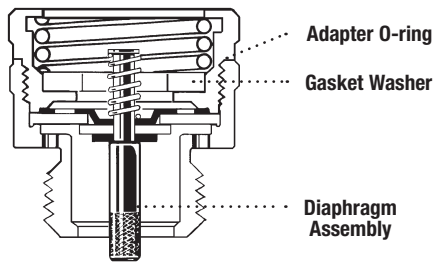
Series 9D



ORDERING CODE	KIT NO.	SIZE	LIST PRICE
0886010	RK 9DM2 T	1/2" - 3/4"	\$51.25
0886011	RK 9DM3 T	1/2"	48.25

Kit consists of: diaphragm assembly, disc assembly, seat, seat O-ring and two union seals

Series 8A, NF8

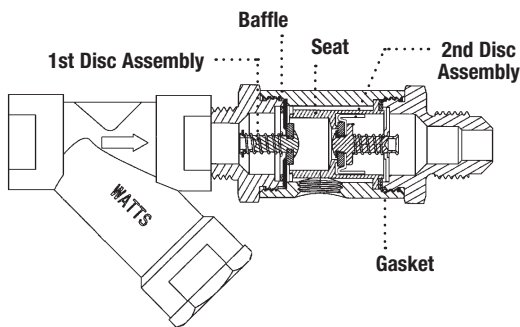


ORDERING CODE	KIT NO.	SIZE	LIST PRICE
0886013	RK 8A T	3/4"	\$14.00
0886014	RK NF8 T	3/4"	14.00

8A Kit consists of: diaphragm assembly, gasket washer and one O-ring

NF8 Kit consists of: diaphragm assembly, gasket washer and three O-rings (adapter O-ring and two sleeve O-rings)

SD3

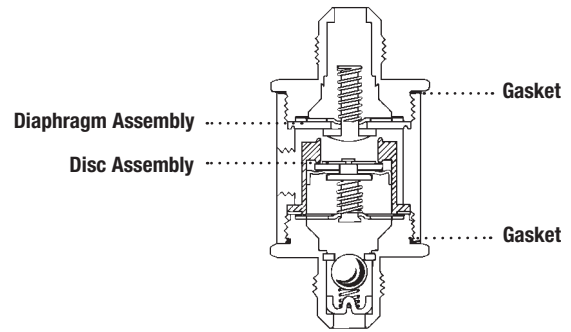


ORDERING CODE	KIT NO.	SIZE	LIST PRICE
0888556	RK SD3-T	1/4", 3/8"	\$49.00

Kit consists of: 1st & 2nd disc assemblies, baffle, seat and gasket

*The wetted surface of this product contacted by consumable water contains less than 0.25% of lead by weight.

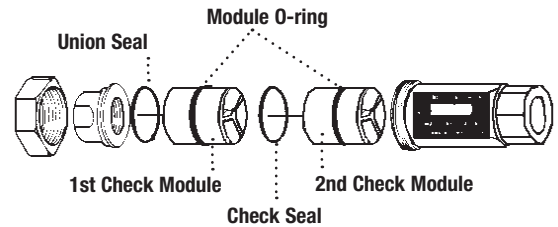
Series 9BD



ORDERING CODE	KIT NO.	SIZE	LIST PRICE
0886012	RK 9BD T	1/4", 3/8"	\$49.00

Kit consists of: diaphragm assembly, disc assembly and two gaskets

Series 7, LF7



ORDERING CODE	KIT NO.	SIZE	LIST PRICE
0886015	RK 7/CU7 T	1/2" - 1 1/4"	\$30.50
0886009	RK 7/7C T	3/8"	30.50
0886016	RK 7B T	3/4"	44.00
0886017	RK 07S T	1"	65.50

Kit consists of: first and second check modules, two module O-rings, union seal and check seal.

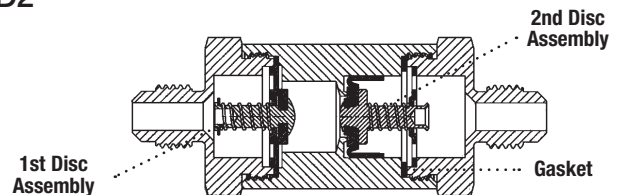
*Kit consists of: two disc assemblies, two springs, two cover seal O-rings and two union O-rings.

Series N9, LFN9, NLF9, N9-CD, 912HP

ORDERING CODE	KIT NO.	SIZE	LIST PRICE
0886019	RK N9/NLF9 T	1/4", 3/8"	\$28.25
0886004	RK N9-CDT	3/4"	31.25
0886008	RK 912HP T	3/4" - 1"	64.25

Kit No. N9, NLF9 consists of: diaphragm assembly, disc assembly and gasket

SD2



ORDERING CODE	KIT NO.	SIZE	LIST PRICE
0888555	RK SD2-T	1/4", 3/8"	\$46.50

Kit includes: 1st & 2nd disc assemblies, and gasket

Series 188A, 288A, LF288A, 289, LF289 388ASC, N388, LFN388

Repair Kits

When ordering specify Ordering Code, Kit No., and Valve Size.

ORDERING CODE	KIT NO.	SIZE	LIST PRICE
---------------	---------	------	------------

188A/288A/388ASC

LEAD FREE	ORDERING CODE	KIT NO.	SIZE	LIST PRICE
	0887170	RK 188A/288A/388 T	1/4" - 3/8"	\$17.25
	0887171	RK 188A/288A/388 T	1/2"	27.25
	0887172	RK 188A/288A/388 T	3/4" - 1"	27.25
	0887173	RK 188A/288A/388 T	1 1/4"	39.25
	0887174	RK 188A/288A/388 T	1 1/2"	97.25
	0887175	RK 188A/288A/388 T	2"	146.50
	0887176	RK 188A/288A/388 T	2 1/2" - 3"	250.50

for 288A's with bell shaped hood

LEAD FREE	ORDERING CODE	KIT NO.	SIZE	LIST PRICE
	0887164	RK 288AZ1 T	1/4" - 3/8"	35.75
	0887165	RK 288AZ1 T	1/2"	46.00
	0887166	RK 288AZ1 T	3/4"	48.00

Kit consists of: disc assembly (includes disc and disc float) and bonnet O-ring.

289

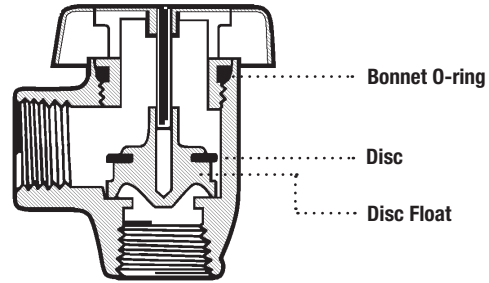
LEAD FREE	ORDERING CODE	KIT NO.	SIZE	LIST PRICE
	0887177	RK 289 T	3/8" - 1/2"	61.25
	0887179	RK 289 T	3/4" - 1"	125.00

Kit consists of: check assembly, vent spring, retainer and bonnet O-ring.

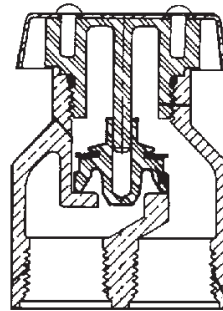
LEAD FREE	ORDERING CODE	KIT NO.	SIZE	LIST PRICE
	0887178	RK 289 B	3/8" - 1/2"	19.75
	0887196	RK 289 B	3/4" - 1"	41.75

Kit consists of: bonnet, bonnet O-ring and vent spring.

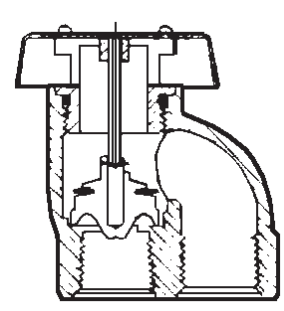
188A/288A/LF288A



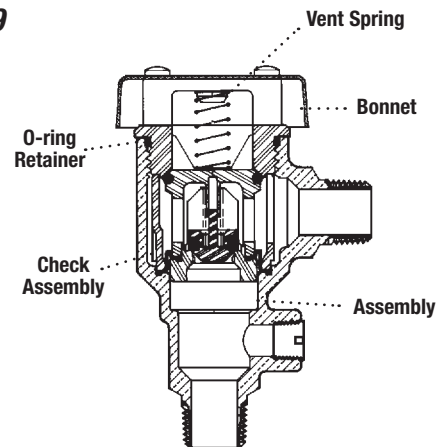
N388/LFN388



388ASC



289/LF289



4

Non-Testable Backflow Preventers

*The wetted surface of this product contacted by consumable water contains less than 0.25% of lead by weight.

Accessories/Auxiliary Equipment

When ordering specify Ordering Code, Kit No., and Valve Size.

ORDERING CODE	KIT NO.	SIZE	LIST PRICE
---------------	---------	------	------------

Flanged Accessory Kits

ORDERING CODE	KIT NO.	SIZE	LIST PRICE
0885020	AK FLGE 709-909**	2 1/2"	\$48.50
0885021	AK FLGE 709-909**	3"	51.50
0885022	AK FLGE 709-909**	4"	103.50
0885023	AK FLGE 709-909**	6"	156.00
0885024	AK FLGE 709-909**	8"	290.50
0885025	AK FLGE 709-909**	10"	543.00
0885026	AK FLGE 007-009**	2 1/2" - 3"	55.75

Kits consist of: 2 gaskets; 8 nuts and bolts.

**Also used for 770 - 990

Strainer Kits

ORDERING CODE	KIT NO.	SIZE	LIST PRICE
0792500	LFAK Strainer	1/2"	176.50
0792501	LFAK Strainer	3/4"	186.50
0792502	LFAK Strainer	1"	222.50
0792503	LFAK Strainer	1 1/4"	280.00
0792504	LFAK Strainer	1 1/2"	383.50
0792505	LFAK Strainer	2"	542.00

Kits consist of: strainer assembly; 1 nipple and pipe plug.

Test Cocks

ORDERING CODE	KIT NO.	SIZE	LIST PRICE
0006628	1/8 EZ-TC SS	1/2"-1"	85.25
0792001	1/8 LFNPT-TC		47.25
0792000	1/4 LFTC	1 1/4" - 2"	61.75
0006903	1/8 SAE-TC Adapter	1/4" - 7/16"	59.00
0792002	1/8 LFSAE-TC		60.00
0888845	RK SAE-TC	1/4" - 1"	27.50
0888846	RK-TC-P 1/8-1/4	cap & tether only	1.75
0006902	1/8 SAE-TC Brass Cap		5.00
0792520	LF1/2 TC 757/957	2 1/2" - 4"	116.00
0792521	LF3/4 TC 757/957	6" - 10"	120.00
0792522	LFRK TC#3 757/957	2 1/2" - 4"	137.00
0792523	LFRK TC#3 757/957	6" - 10"	137.00
0792524	LFFBV-M 1/2 709/909	2 1/2" - 4"	78.25
0792525	LF 3/4 TC LFFBV-M 709/909	6" - 10"	97.50

ORDERING CODE	KIT NO.	SIZE	LIST PRICE
---------------	---------	------	------------

Air gaps

0881399	909-AGA	1/4" - 1/2" 009, 1/2" - 1" 995 3/4" 009M2/M3	\$92.50
0881376	909-AGC	3/4", 1" 009/909 1 1/4"-1 1/2" 009M2 1 1/4"-2" 995	106.50
0881378	909-AGF	1 1/4" - 2" 009M1, 2" 009M2 1 1/4" - 3" 009/909 4" - 6" 990	208.00
0881385	909-AGK	4" - 6" 909, 8" - 10" 909M1 8" 990	408.50
0881387	909-AGM	8" - 10" 909	408.50
0881576	919 AGC	3/4" - 1"	114.00
0881577	919 AGF	1 1/4" - 2"	208.00
0111764	957-AG	2 1/2" - 10" 957	269.50
0111815	957-AG Splash Guard Only	4" - 10"	89.50
0881397	994-AGKP	2 1/2" - 10" 994	296.50
0439190	995-AG	3" - 6" 995	248.00

*The wetted surface of this product contacted by consumable water contains less than 0.25% of lead by weight.

ORDERING CODE	KIT NO.	SIZE	LIST PRICE
---------------	---------	------	------------

Elbows

0881370	909-ELA	1/4" - 1/2" 009 3/4" 009M2/M3	\$65.75
0881380	909-ELC	3/4" - 1" 009/909, 1 1/4" - 1 1/2" 009M2	71.25
0881382	909-ELF (vertical)	1 1/4" - 2" 009M1, 2" 009M2, 4" - 6" 990	137.00
0881384	909-ELH (vertical)	2 1/2" - 3" 009/909	412.50
0881396	994-ELF (vertical)	2 1/2" - 10" 994	803.50

Plastic Retainer

0887365	RK 009 RET-P	3/4" - 1"	20.25
---------	--------------	-----------	-------

For use on 3/4" and 1" 009 and 007 series.

Hose Assembly Kit (sensing line)

0881486	AK 909 Hose Assembly	2 1/2" - 4"	167.50
0881487	AK 909 Hose Assembly	6" - 8"	185.50
0881488	AK 909 Hose Assembly	10"	199.50
0882723	AK 994 Hose Assembly	2 1/2" - 6"	176.50
0882724	AK 994 Hose Assembly	8" - 10"	192.50
0882725	AK 995 Hose Assembly	3" - 6"	185.50

TK9A - Test Kit Replacement Parts

0833389	SATK9Y37	Needle Valve	415.00
0834046	TK9Z160-1	Gauge Only	1,532.00

To order repair part, for gauge or to get information on TK9A and TK99E contact: Orange Research Inc. 140 Cascade Blvd. Milford, CT 06460 (203) 877-5657.

Lube

0886020	RK009 Lube	Six Pack	44.25
---------	------------	----------	-------

NOTICE

The use of other lubricant types may cause swelling or accelerated deterioration of the rubber parts.

NOTICE

RK009 Lube should be used when repairing Series 909.

Replacement Shutoff Valves

When ordering specify Ordering Code, Kit No., and Valve Size.

ORDERING CODE	KIT NO.	SIZE	LIST PRICE
Shutoff Valves			
0701208	NRS-RW GATE	2 1/2"	\$954.00
0701209	NRS-RW GATE	3"	941.00
0701210	NRS-RW GATE	4"	1,203.00
0701211	NRS-RW GATE	6"	2,044.00
0701212	NRS-RW GATE	8"	3,032.00
0701213	NRS-RW GATE	10"	5,083.00
0701196	NRS-RW GATE-TC	2 1/2"	763.00
0701198	NRS-RW GATE-TC	3"	1,098.00
0701201	NRS-RW GATE-TC	4"	1,312.00
0701203	NRS-RW GATE-TC	6"	2,077.00
0701205	NRS-RW GATE-TC	8"	3,300.00
0701207	NRS-RW GATE-TC	10"	5,809.00
0701214	OSY-RW GATE	2 1/2"	1,241.00
0701215	OSY-RW GATE	3"	1,275.00
0701216	OSY-RW GATE	4"	1,545.00
0701217	OSY-RW GATE	6"	2,632.00
0701218	OSY-RW GATE	8"	2,892.00
0701116	OSY-RW GATE-TC	2 1/2"	1,163.00
0701126	OSY-RW GATE-TC	3"	1,341.00
0701136	OSY-RW GATE-TC	4"	1,680.00
0701146	OSY-RW GATE-TC	6"	2,406.00
0701156	OSY-RW GATE-TC	8"	4,068.00
0701166	OSY-RW GATE-TC	10"	7,674.00
0701350	405NRS FLG x GRV	2 1/2"	981.00
0701351	405NRS FLG x GRV	3"	1,037.00
0701352	405NRS FLG x GRV	4"	1,288.00
0701353	405NRS FLG x GRV	6"	2,099.00
0701354	405NRS FLG x GRV	8"	3,335.00
0701355	405NRS FLG x GRV	10"	4,528.00

Gate Valve Packs

ORDERING CODE	KIT NO.	SIZE	LIST PRICE
0702410	OSY/PIV Gate Valve Pack	3"	\$3,205.00
0702411	OSY/PIV Gate Valve Pack	4"	3,386.00
0702412	OSY/PIV Gate Valve Pack	6"	4,902.00
0702413	OSY/PIV Gate Valve Pack	8"	10,943.00
0702414	OSY/PIV Gate Valve Pack	10"	17,460.00

Pack includes: 1 OSY Flg x Flg gate valve, 1 PIV gate valve, 1 test cock & nipple, 2 flanges & gasket and bolts

ORDERING CODE	KIT NO.	SIZE	LIST PRICE
Shutoff Valves			
0702360	BFG	2 1/2"	\$741.50
0702361	BFG	3"	815.50
0702362	BFG	4"	988.50
0702363	BFG	6"	1,575.00
0702364	BFG	8"	2,663.00
0792506	LFFBV-TH	1/2"	50.50
0792507	LFFBV-TH	3/4"	81.00
0792508	LFFBV-TH	1"	127.50
0792512	LFFBV-TC-TH	1/2"	56.75
0792513	LFFBV-TC-TH	3/4"	84.75
0792514	LFFBV-TC-TH	1"	132.00
0792509	LFFBV	1 1/4"	193.50
0792510	LFFBV	1 1/2"	247.50
0792511	LFFBV	2"	432.50
0792515	LFFBV-TC	1 1/4"	195.50
0792516	LFFBV-TC	1 1/2"	250.50
0792517	LFFBV-TC	2"	436.50

5

Accessory / Auxiliary Equipment

*The wetted surface of this product contacted by consumable water contains less than 0.25% of lead by weight.

Replacement Handle Kits

When ordering specify Ordering Code, Kit No., and Valve Size.

ORDERING CODE	KIT NO.	SIZE	LIST PRICE
Handle Kits			
0899335	405-RW-HK (NRS)	2 1/2"	\$96.00
0899337	405-RW-HK (NRS)	3"	96.00
0899339	405-RW-HK (NRS)	4"	172.00
0899341	405-RW-HK (NRS)	6"	267.50
0899343	405-RW-HK (NRS)	8"	342.50
0899345	405-RW-HK (NRS)	10"	481.00
0889618	NRS-RW-HK (DOMESTIC NRS)	2 1/2"	194.00
0889619	NRS-RW-HK (DOMESTIC NRS)	3"	319.00
0889620	NRS-RW-HK (DOMESTIC NRS)	4"	427.50
0889621	NRS-RW-HK (DOMESTIC NRS)	6"	458.00
0889622	NRS-RW-HK (DOMESTIC NRS)	8"	723.00
0889623	NRS-RW-HK (DOMESTIC NRS)	10"	915.00
0701250	408-RW-HK-F (OSY)	2"	269.00
0889640	408-RW-HK-F (OSY)	2 1/2"	308.50
0889641	408-RW-HK-F (OSY)	3"	478.50
0889642	408-RW-HK-F (OSY)	4"	551.50
0889644	408-RW-HK-F (OSY)	8"	897.00
0889645	408-RW-HK-F (OSY)	10"	1,286.00
0889612	408-RW-HK (DOMESTIC OSY)	2 1/2"	308.50
0889613	408-RW-HK (DOMESTIC OSY)	3"	478.50
0889614	408-RW-HK (DOMESTIC OSY)	4"	551.50
0889615	408-RW-HK (DOMESTIC OSY)	6"	750.50
0889616	408-RW-HK (DOMESTIC OSY)	8"	897.00
0889617	408-RW-HK (DOMESTIC OSY)	10"	1,286.00

Packing Gland Kit

0899336	RK 405-PkingGland	2 1/2"	19.50
0899338	RK 405-PkingGland	3"	19.50
0899340	RK 405-PkingGland	4"	34.75
0899342	RK 405-PkingGland	6"	54.00
0899344	RK 405-PkingGland	8"	68.75
0899346	RK 405-PkingGland	10"	96.50

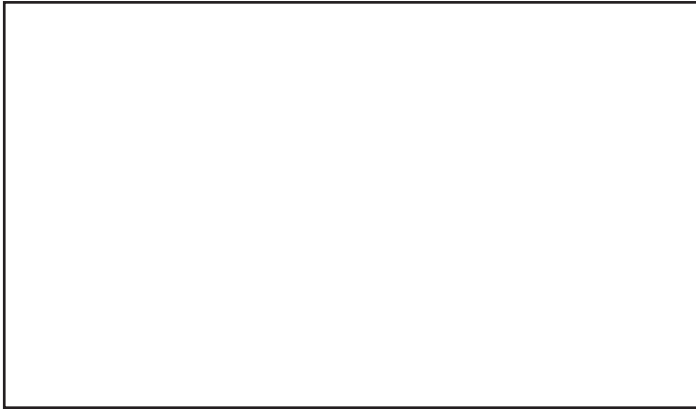
Pack includes: bonnet O-ring, stem O-ring, dust ring, stuffing box.

Notes

Notes

To locate your nearest Watts representative, please click on our *find a sales rep* locator on watts.com.

Represented by:



USA: T: (978) 689-6066 • F: (978) 975-8350 • Watts.com
Canada: T: (905) 332-4090 • F: (905) 332-7068 • Watts.ca
Latin America: T: (52) 81-1001-8600 • Watts.com