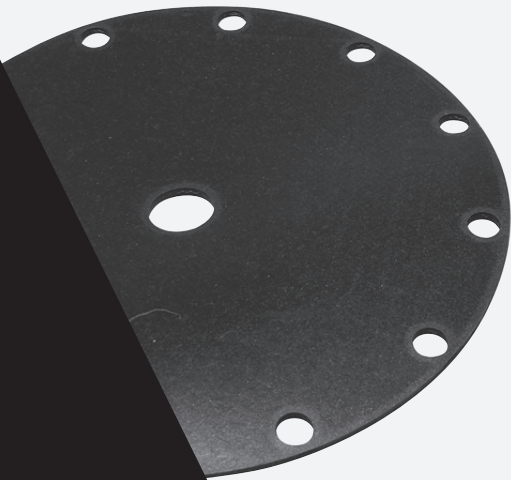
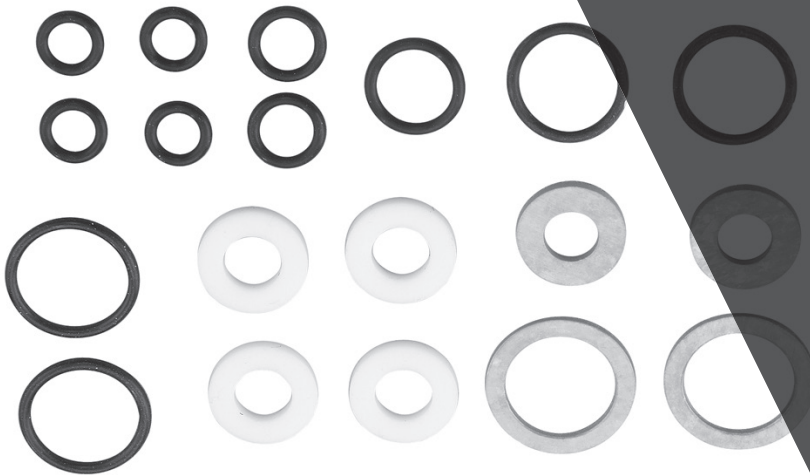
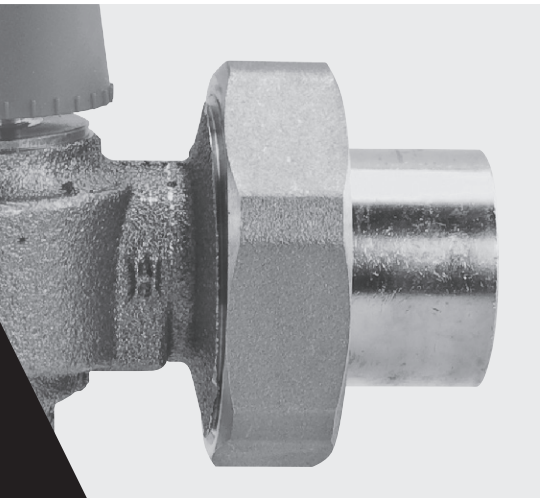


Price List

Repair Kits and Service Parts (For all Watts products except Backflow Preventers)



Effective October 8, 2018

All prices supersede previous issues, are temporary and subject to change without notice.

Your Discount

Electronic is Green!

For the latest Watts pricing information in electronic format, visit our Data Exchange at:

<http://www.wattswater.com/DataExchange>

- Download product and list price data in .csv, .pdf, .tsv, .xls and .xml formats
- Easy access to list price data for business systems
- Sign up for e-mail alerts when data is updated
- Access other Watts Water Technologies brands pricing data

Table of Contents

1 Pressure Regulators

| | |
|---|-----|
| LFU5-Z3 | 3 |
| LF25AUB, LF25AUB-Z3 | 3 |
| LFN45B, LFN45B-EZ | 4 |
| LF223, LFN223B | 4 |
| LFN223F | 4 |
| LF23, LF123, LFN250, LFN256 | 5 |
| LF215 | 5 |
| LF26A, LF263A, LFSS263AP | 5 |
| LF560, LFH560 | 6 |
| P60 | 6 |
| Union Nuts, Tailpieces & Gaskets/O-rings..... | 7 |
| Replacement Parts..... | 8-9 |
| Jumper Kits..... | 10 |
| LF127 | 11 |
| 152A, 152AT, 252A, 252AT | 12 |
| 152SS | 13 |
| 152SST | 13 |

2 Ball Valves

| | |
|--------------------------------------|-------|
| LFFBV-3C, LFFBVS-3C | 14 |
| Bronze Ball Valve Parts & Kits | 15-18 |
| G4000-M1 | 19 |

3 Gate, Globe, Check Valves

| | |
|--------------------|----|
| 405 | 20 |
| LF408 | 20 |
| LF600, LF601 | 20 |

4 Strainers

| | |
|----------------------------------|----|
| Strainer Screens & Gaskets | 21 |
| 777SI, S777SI | 21 |

5 Hydronic Heating Products

| | |
|-----------------|----|
| 2000 | 22 |
| 142, 144 | 23 |
| N50, N89 | 23 |
| FS10, FS20..... | 23 |

6 Tempering Valves

| | |
|-------------------------------------|----|
| LF1170-M2 | 24 |
| LFMMV-M1 | 25 |
| LF70A | 26 |
| N170-M2, N170-M3, N170-M3 CSUT..... | 27 |

7 Plumbing Specialties

| | |
|----------------------|----|
| 1070 & G1070 | 28 |
| 2..... | 28 |
| A200 | 29 |
| HB-1 | 29 |
| FH-M1, FHV, FHB..... | 30 |

8 Dielectric Unions

| | |
|------------|----|
| 3000 | 31 |
|------------|----|

9 Illinois Steam Product Parts

| | |
|---|----|
| Series G, GH, MGH, MG, HG and T Thermostatic Trap Parts | 32 |
| Series G, GF, MG & MGF Float & Thermostatic Trap Parts | 33 |
| Series 30 High Pressure Trap Parts | 33 |
| Series 30 Steam Trap Valve Seat & Gasket Kits..... | 33 |
| Valve Seat and Gasket Kit Ordering Codes for Series G, GF, MG, MGF F & T Traps | 34 |
| Series 65 Radiator / Supply Valve Parts..... | 34 |

Terms and Conditions

FREIGHT TERMS: All shipments are F.O.B. shipping point. Shipments from factory less than 1000 lbs. are F.O.B. factory. Factory shipments OF \$5000 and over within the continental U.S.A. will be prepaid and allowed when made at the lowest motor carrier transportation rate.

TERMS OF SALE: All sales are F.O.B. shipping point.

PAYMENT TERMS: The invoices are due and payable 30 days from the date of invoice.

PURCHASE ORDER FORMS: Orders submitted on customer's own purchase order forms will be accepted only with the express understanding that no statements, clauses, or conditions contained in said order form will be binding on the Seller if they in any way modify the Seller's own terms and conditions of sales.

STOCKING WHOLESALER MINIMUM CHARGE: A minimum billing charge of \$100.00 applies to shipments F.O.B. factory. Stocking Wholesaler Customers are encouraged to order sufficient material to avoid this charge which is necessitated by increased costs of processing small orders.

SPECIAL PRODUCTS: Orders for special or modified products are non-cancelable. In the event that the customer cancels an order for such products, Watts shall charge the customer an amount equal to Watts' costs and expenses incurred in performing the purchase order prior to receipt of notice of cancellation.

LIMITED WARRANTY: Watts Regulator Co. (the "Company") warrants each product to be free from defects in material and workmanship under normal usage for a period of one year from the date of original shipment. In the event of such defects within the warranty period, the Company will, at its option, replace or recondition the product without charge.

THE WARRANTY SET FORTH HEREIN IS GIVEN EXPRESSLY AND IS THE ONLY WARRANTY GIVEN BY THE COMPANY WITH RESPECT TO THE PRODUCT. THE COMPANY MAKES NO OTHER WARRANTIES, EXPRESS OR IMPLIED. THE COMPANY HEREBY SPECIFICALLY DISCLAIMS ALL OTHER WARRANTIES, EXPRESS OR IMPLIED, INCLUDING BUT NOT LIMITED TO THE IMPLIED WARRANTIES OF MERCHANTABILITY AND FITNESS FOR A PARTICULAR PURPOSE.

The remedy described in the first paragraph of this warranty shall constitute the sole and exclusive remedy for breach of warranty, and the Company shall not be responsible for any incidental, special or consequential damages, including without limitation, lost profits or the cost of repairing or replacing other property which is damaged if this product does not work properly, other costs resulting from labor charges, delays, vandalism, negligence, fouling caused by foreign material, damage from adverse water conditions, chemical, or any other circumstances over which the Company has no control. This warranty shall be invalidated by any abuse, misuse, misapplication, improper installation or improper maintenance or alteration of the product.

Some States do not allow limitations on how long an implied warranty lasts, and some States do not allow the exclusion or limitation of incidental or consequential damages. Therefore the above limitations may not apply to you. This Limited Warranty gives you specific legal rights, and you may have other rights that vary from State to State. You should consult applicable state laws to determine your rights. **SO FAR AS IS CONSISTENT WITH APPLICABLE STATE LAW, ANY IMPLIED WARRANTIES THAT MAY NOT BE DISCLAIMED, INCLUDING THE IMPLIED WARRANTIES OF MERCHANTABILITY AND FITNESS FOR A PARTICULAR PURPOSE, ARE LIMITED IN DURATION TO ONE YEAR FROM THE DATE OF ORIGINAL SHIPMENT.**

SERVICE POLICY: For inoperative products beyond the warranty period, we assume no liability for replacement of valves due to service conditions beyond our control.

RETURNED GOODS: No material shall be returned without authorization. When credit is issued it will be at the price charged, or prevailing price if lower, less handling charges based on costs of reconditioning, boxing, etc. However, a minimum 25% handling charge will apply. A minimum handling charge of \$20.00 is applied whenever the 25% handling deduction does not total \$20.00. Products which are obsolete or made to special order are not returnable.

NOTE: Prices and terms are subject to change without notice and supersede all previous quotations. The right is reserved to change or modify product design or construction without prior notice and without incurring any obligation to make such changes and modifications on products previously or subsequently sold.

Series LFU5-Z3

Water Pressure Reducing Valves

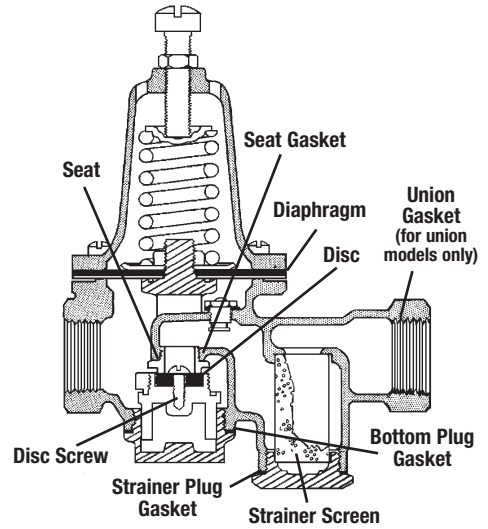
Sizes 1/2" – 2"

Repair Kits

When ordering specify Ordering Code, Kit No., and Valve Size.

| ORDERING CODE | KIT NO. | VALVE SERIES | SIZE (IN.) | LIST PRICE |
|---------------|------------|--------------|------------|------------|
| 0125121 | LFKIT-A-RK | LFU5-Z3 | 1/2" | \$111.50 |
| 0125122 | LFKIT-B-RK | LFU5-Z3 | 3/4" | 114.00 |
| 0125123 | LFKIT-C-RK | LFU5-Z3 | 1" | 119.50 |
| 0125124 | LFKIT-D-RK | LFU5-Z3 | 1 1/4" | 188.00 |
| 0125125 | LFKIT-E-RK | LFU5-Z3 | 1 1/2" | 254.00 |
| 0125126 | LFKIT-F-RK | LFU5-Z3 | 2" | 367.00 |

Kit for LFU5-Z3 includes all items shown at right



Series LF25AUB, LF25AUB-Z3

Water Pressure Reducing Valves

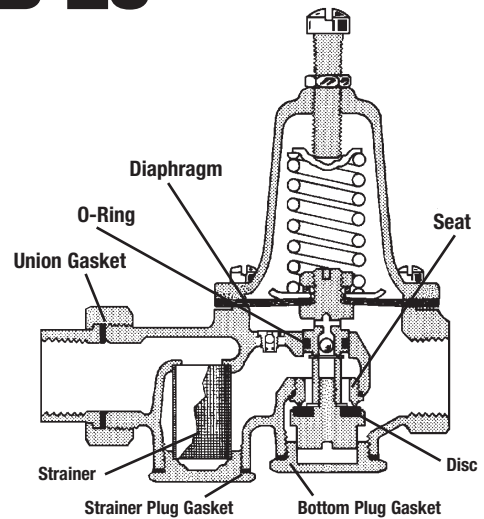
Sizes 1/2" – 2"

Lead Free* Repair Kits

When ordering specify Ordering Code, Kit No., and Valve Size.

| ORDERING CODE | KIT NO. | VALVE SERIES | SIZE (IN.) | LIST PRICE |
|---------------|-------------------|---------------------|------------|------------|
| 0864941 | 1/2" LF25AUB-RK | LF25AUB, LF25AUB-Z3 | 1/2" | \$97.50 |
| 0864943 | 3/4" LF25AUB-RK | LF25AUB, LF25AUB-Z3 | 3/4" | 99.50 |
| 0864942 | 1" LF25AUB-RK | LF25AUB, LF25AUB-Z3 | 1" | 100.50 |
| 0864944 | 1 1/4" LF25AUB-RK | LF25AUB, LF25AUB-Z3 | 1 1/4" | 115.00 |
| 0864945 | 1 1/2" LF25AUB-RK | LF25AUB, LF25AUB-Z3 | 1 1/2" | 117.50 |
| 0864946 | 2" LF25AUB-RK | LF25AUB, LF25AUB-Z3 | 2" | 133.00 |

Kit for LF25AUB, LF25AUB-Z3 includes all items shown at right



For replacement parts see pp.7-9

* The wetted surface of this product contacted by consumable water contains less than 0.25% of lead by weight

Series LFN45B, LFN45B-EZ

Water Pressure Reducing Valves

Sizes 3/4" – 1"

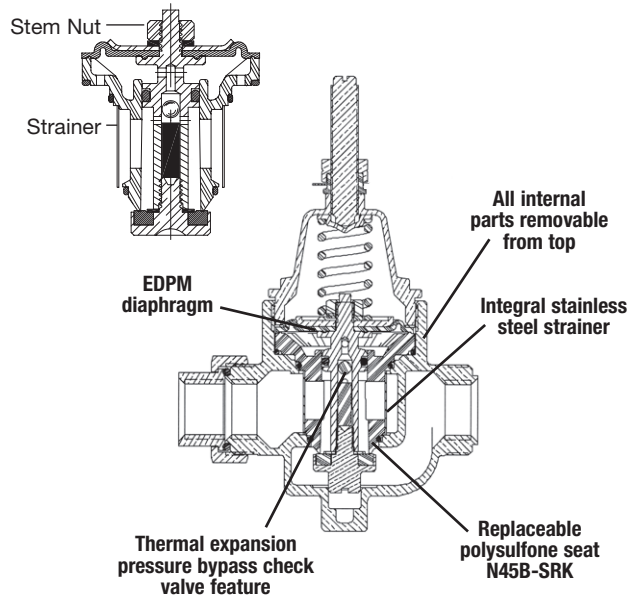
Repair Kits

When ordering specify Ordering Code, Kit No., and Valve Size.

| ORDERING CODE | KIT NO. | VALVE SERIES | SIZE (IN.) | LIST PRICE |
|-------------------|----------------------|------------------|------------|------------|
| LEAD FREE 0006960 | LFN45B/N55B-EZ-M1-RK | LFN45B/LFN55B-EZ | 3/4" – 1" | \$36.75 |

Kit for LFN45, LFN45B-EZ includes Parts shown at right

COMPLETE SEAT/STEM REPLACEMENT MODULE (includes diaphragm)



Series LF223, LFN223B

High Capacity Water Pressure Regulators

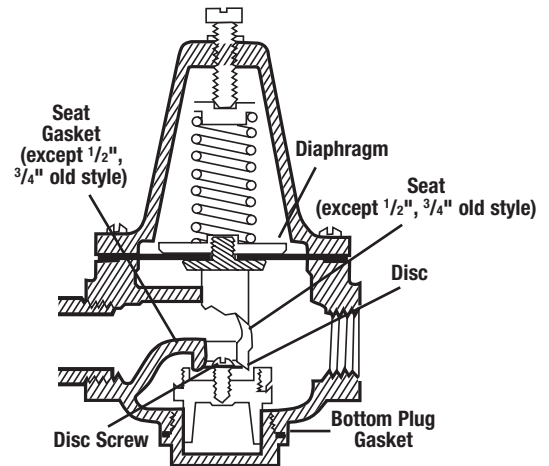
Sizes 1/2" – 3"

Repair Kits

When ordering specify Ordering Code, Kit No., and Valve Size.

| ORDERING CODE | KIT NO. | VALVE SERIES | SIZE (IN.) | LIST PRICE | |
|---------------|---------|--------------|------------|------------|----------|
| LEAD FREE | 0125123 | LFKIT-C-RK | LF223 | 1/2"-3/4" | \$119.50 |
| | 0125124 | LFKIT-D-RK | LF223 | 1" | 188.00 |
| | 0125125 | LFKIT-E-RK | LF223 | 1 1/4" | 254.00 |
| | 0125369 | LF223N-RK | LFN223 | 1 1/2" | 278.50 |
| | 0125370 | LF223N-RK | LFN223 | 2" | 454.50 |
| | 0125371 | LF223N-RK | LFN223 | 2 1/2" | 459.00 |
| | 0125372 | LFN223M2-RK | LFN223 | 2 1/2" | 459.00 |
| | 0877555 | LFN223-RK | LF223 | 2 1/2"-3" | 454.50 |

Kit for LF223, LFN223B includes parts shown at right



Series LFN223F

Flanged High Capacity Water Pressure Regulators

Size 3"

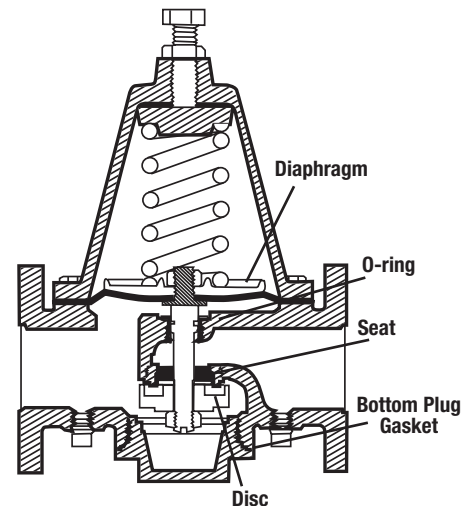
Repair Kits

When ordering specify Ordering Code, Kit No., and Valve Size.

| ORDERING CODE | KIT NO. | VALVE SERIES | SIZE (IN.) | LIST PRICE | |
|---------------|---------|--------------|------------|------------|----------|
| LEAD FREE | 0878307 | LFN223F-RK | LFN223F | 3" | \$274.00 |
| | 0878306 | LFN223-RK | LFN223F-M2 | 3" | 214.50 |

Kit for LFN223F includes parts shown at right

Kit for LFN223F-M1-M2 includes all rubber parts



For replacement parts see pp.7- 9

Series LF23, LF123, LFN250, LFN256

Water Pressure Reducing Valves

Sizes 1/2" - 3/4"

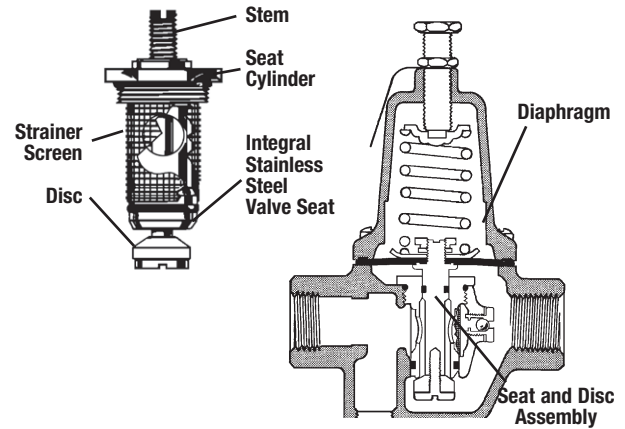
Repair Kits

When ordering specify Ordering Code, Kit No., and Valve Size.

| ORDERING CODE | KIT NO. | VALVE SERIES | SIZE (IN.) | LIST PRICE |
|---------------|----------------|-----------------------------|------------|------------|
| 0125373 | 1/2" LFN250-RK | LF23, LF123, LFN250 | 1/2" | \$98.50 |
| 0125374 | 3/4" LFN250-RK | LF23, LF123, LFN250, LFN256 | 3/4" | 102.50 |

Kit for LF23, LF123, LFN250, LFN256, includes all items shown at right.

Complete Replacement Assembly (Includes Diaphragm)



Series LF215

Pressure Regulators

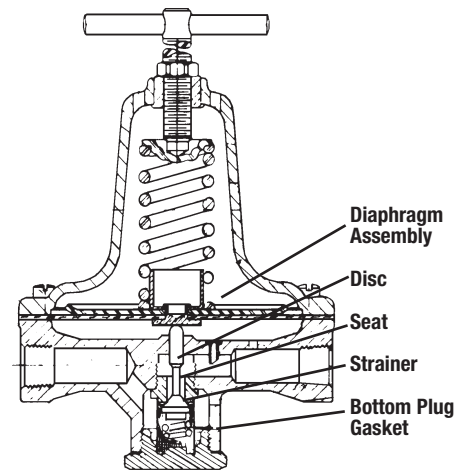
Sizes 1/4" - 3/8"

Repair Kits

When ordering specify Ordering Code, Kit No., and Valve Size.

| ORDERING CODE | KIT NO. | VALVE SERIES | SIZE (IN.) | LIST PRICE |
|---------------|--------------|--------------|------------|------------|
| 0125132 | RK LF215 Y K | LF215 | 1/4"- 3/8" | \$142.00 |

Kit for 215 includes parts shown at right



Series LF26A, LF263A, SS263AP

Small Pressure Regulators

Sizes 1/8" - 1/2"

Repair Kits

When ordering specify Ordering Code, Kit No., and Valve Size.

| ORDERING CODE | KIT NO. | VALVE SERIES | SIZE (IN.) | LIST PRICE |
|---------------|---------------|---------------|------------|------------|
| 0125360 | LFSS263AP-RK | SS263AP | ALL | \$19.25 |
| 0125361 | LF26A-RK | LF26A, LF263A | ALL | 40.25 |
| 0335110 | SS263 AP-RK-V | SS263AP | ALL | 135.00 |

Pressure Gauges

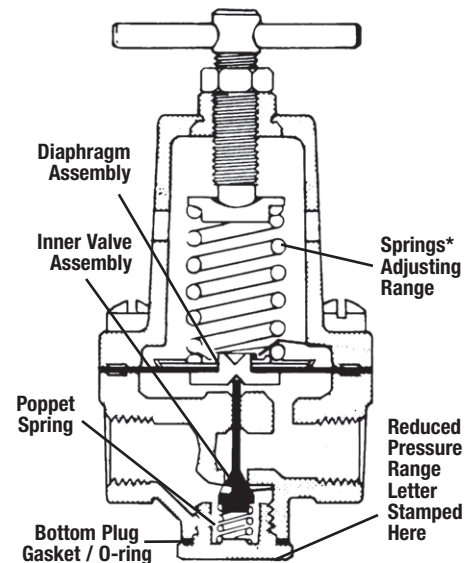
| | | | | |
|---------|---------------|------------------------|--|---------|
| 0121697 | 1/4" LFDPG3-2 | LF26A, LF263A, SS263AP | | \$43.25 |
|---------|---------------|------------------------|--|---------|

| ORDERING CODE | RANGE LETTER | SPRING NO. | SIZE (IN.) | LIST PRICE |
|---------------|--------------|------------|------------|------------|
|---------------|--------------|------------|------------|------------|

*Adjusting Springs

| | | | | |
|---------|-----|-----|--|---------|
| 1052055 | "A" | 326 | | \$11.00 |
| 1052038 | "B" | 260 | | 6.00 |
| 1052039 | "C" | 261 | | 7.25 |
| 1052040 | "D" | 262 | | 8.25 |

Kit for LF26A, LFSS263AP includes all items shown at right except for adjust



*The wetted surface of this product contacted by consumable water contains less than 0.25% of lead by weight.

Series LF560, LFH560

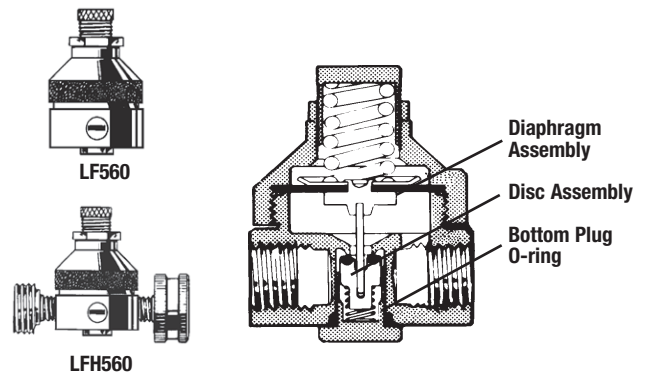
Mini Water Pressure Regulators

Sizes 1/8" x 1/4" and 3/4" x 3/4"

Repair Kits

| | ORDERING CODE | KIT NO. | VALVE SERIES | SIZE (IN.) | LIST PRICE |
|-----------------------|---------------|---------------|---------------|------------|------------|
| LEAD FREE | 0981000 | LFRK-H560 | LF560, LFH560 | ALL | \$31.00 |
| Pressure Gauge | | | | | |
| LEAD FREE | 0121712 | 1/8" LFDPG3-1 | LFH560 | 1/8" | \$43.25 |

Kit for LF560, LFH560 includes parts shown at right



Series P60

Plastic Water Regulators

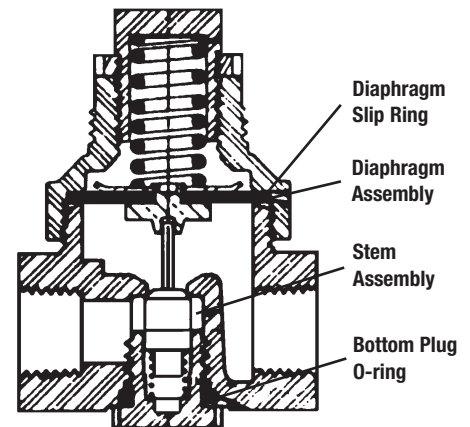
Size 1/4"

Repair Kits

When ordering specify Ordering Code, Kit No., and Valve Size.

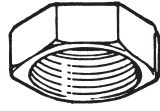
| | ORDERING CODE | KIT NO. | VALVE SERIES | SIZE (IN.) | LIST PRICE |
|-----------------------|---------------|---------------|--------------|------------|------------|
| | 0354563 | P60-RK | P60 | 1/4" | \$27.75 |
| Pressure Gauge | | | | | |
| | 0121699 | LFDPG3-20-160 | P60 | 1/4" | \$43.25 |

Kit for P60 includes parts shown at right



Series LFU5B-Z3, LF25AUB-Z3, LFN45B-M1

Union Nuts, Tailpieces, Gasket/O-rings



Union Nut



Union Tailpiece



Gasket / O-rings

Replacement Parts

When ordering specify Ordering Code, Part No., and Valve Size.

| SIZE (IN.) | SERIES | UNION NUT ORDERING CODE | PART NO. | LIST PRICE | UNION TAILPIECE ORDERING CODE | PART NO. | LIST PRICE | UNION GASKET ORDERING CODE | PART NO. | LIST PRICE | |
|---------------------------------------|--------|-------------------------|----------|------------|-------------------------------|----------|---------------|----------------------------|----------|-------------|--------|
| LFU5B-Z3/LF25AUB-Z3 SERIES | | | | | | | | | | | |
| LEAD FREE | 1/2" | LFU5B-Z3/LF25AUB-Z3 | 1140152 | 35AB140 | \$4.25 | 2139051 | 135AB139 | \$8.25 | 1101722 | 488XA101 | \$0.48 |
| | 1/2" | LFU5BS-Z3/LF25AUBS-Z3 | 1140152 | 35AB140 | 4.25 | 2139057 | 135AB139-S | 7.25 | 1101722 | 488XA101 | 0.48 |
| | 3/4" | LFU5B-Z3/LF25AUB-Z3 | 1140153 | 35BB140 | 9.25 | 2139052 | 135BB139 | 12.50 | 1101192 | 6010BB101 | 0.60 |
| | 3/4" | LFU5BS-Z3/LF25AUBS-Z3 | 1140153 | 35BB140 | 9.25 | 2139058 | 135BB139-S | 12.50 | 1101192 | 6010BB101 | 0.60 |
| | 1" | LFU5B-Z3/LF25AUB-Z3 | 1140154 | 35CB140 | 18.00 | 2139053 | 135CB139 | 25.00 | 1101930 | 5CB101 | 0.54 |
| | 1" | LFU5BS-Z3/LF25AUBS-Z3 | 1140154 | 35CB140 | 18.00 | 2139059 | 135CB139-S | 18.50 | 1101930 | 5CB101 | 0.54 |
| | 1 1/4" | LFU5B-Z3/LF25AUB-Z3 | 1140155 | 5DB140 | 41.25 | 2139054 | 5DB139 | 46.75 | 1101931 | 5DB101 | 0.85 |
| | 1 1/4" | LFU5BS-Z3/LF25AUBS-Z3 | 1140155 | 5DB140 | 41.25 | 2139060 | 5DB139-S | 25.50 | 1101931 | 5DB101 | 0.85 |
| | 1 1/2" | LFU5B-Z3/LF25AUB-Z3 | 1140156 | 5EB140 | 57.75 | 2139055 | 5EB139 | 66.25 | 1101932 | 5EB101 | 0.96 |
| | 1 1/2" | LFU5BS-Z3/LF25AUBS-Z3 | 1140156 | 5EB140 | 57.75 | 2139061 | 5EB139-S | 36.25 | 1101932 | 5EB101 | 0.96 |
| | 2" | LFU5B-Z3/LF25AUB-Z3 | 1140157 | 5FB140 | 82.50 | 2139056 | 5FC139 | 78.50 | 1101933 | 909LB101 | 1.75 |
| | 2" | LFU5BS-Z3/LF25AUBS-Z3 | 1140157 | 5FB140 | 82.50 | 2139062 | 5FB139-S | 73.00 | 1101933 | 909LB101 | 1.75 |
| LFN45B-M1, LFN45B-EZ-M1 SERIES | | | | | | | | | | | |
| LEAD FREE | 3/4" | LFN45BU-M1 | 1140153 | 35BB140 | 9.25 | 2139052 | 135BB139 | 12.50 | 1101977 | 123-70EP101 | 0.54 |
| | 3/4" | LFN45BUS-M1 | 1140153 | 35BB140 | 9.25 | 2139058 | 135BB139-S | 12.50 | 1101977 | 123-70EP101 | 0.54 |
| | 3/4" | LFN45BU-PEX-M1 | 1140153 | 35BB140 | 9.25 | 1139961 | 5B139-PEX | 89.00 | 1101977 | 123-70EP101 | 0.54 |
| | 3/4" | LFN45BU-CPVC-M1 | 1140153 | 35BB140 | 9.25 | 1139912 | 135BA139-CPVC | 5.75 | 1101977 | RP4AC101 | 0.54 |
| | 1" | LFN45BU-M1 | 1140154 | 35CB140 | 18.00 | 2139053 | 135CB139 | 25.00 | 1101973 | 127-70EP101 | 0.64 |
| | 1" | LFN45BUS-M1 | 1140154 | 35CB140 | 18.00 | 2139059 | 135CB139-S | 18.50 | 1101973 | 127-70EP101 | 0.64 |
| | 1" | LFN45BU-PEX-M1 | 1140154 | 35CB140 | 18.00 | 1139962 | 5C139-PEX | 51.00 | 1101973 | 127-70EP101 | 0.64 |
| | 1" | LFN45BU-CPVC-M1 | 1140154 | 35CB140 | 18.00 | 1139914 | 135CA139-CPVC | 7.00 | 1101973 | 127-70EP101 | 0.64 |

*The wetted surface of this product contacted by consumable water contains less than 0.25% of lead by weight.

Series LFU5-Z3, LF25AUB-Z3, LF223

Replacement Parts

When ordering specify Ordering Code, Kit No., and Valve Size.

1 Pressure Regulators

| ORDERING CODE | PART NO. | LFU5-Z3 | | | | | | LF25AUB-Z3 | | | | | | LF223 | | | | | | LIST PRICE | |
|---|----------|---------|------|----|--------|--------|----|------------|------|----|--------|--------|----|-------|------|----|--------|--------|----|------------|---------|
| | | 1/2" | 3/4" | 1" | 1 1/4" | 1 1/2" | 2" | 1/2" | 3/4" | 1" | 1 1/4" | 1 1/2" | 2" | 1/2" | 3/4" | 1" | 1 1/4" | 1 1/2" | 2" | | 2 1/2" |
| DIAPHRAGM | | | | | | | | | | | | | | | | | | | | | |
| 1020001 | 135A20 | • | | | | | | • | • | | | | | | | | | | | | \$8.00 |
| 1020083 | 135B20 | | • | | | | | | | • | | | | • | | | | | | | 8.75 |
| 1020004 | 135C20 | | | • | | | | | | | • | • | | | • | | | | | | 15.25 |
| 1020006 | 135D20 | | | | • | | | | | | | | | | • | | | | | | 21.50 |
| 1020008 | 135E20 | | | | | | • | | | | | | | | | | | | | | 34.00 |
| 1020027 | 5E20 | | | | | • | | | | | | | • | | | • | | | | | 23.00 |
| 1020017 | 223E20 | | | | | | | | | | | | | | | | • | | | | 52.00 |
| 1020019 | 223F20 | | | | | | | | | | | | | | | | | • | • | | 60.25 |
| DISCS | | | | | | | | | | | | | | | | | | | | | |
| 1037717 | 50B37 | | | | | | | • | • | | | | | | | | | | | | 0.91 |
| 1037718 | 50C37 | | | | | | | | | • | | | | | | | | | | | 2.50 |
| 1037724 | 135F37 | | | | | | | | | | | | | | | | | | • | • | 6.50 |
| SEATS | | | | | | | | | | | | | | | | | | | | | |
| 1016008 | 5A16 | • | | | | | | | | | | | | | | | | | | | \$7.75 |
| 1016009 | 5B16 | | • | • | | | | | | | | | | • | • | | | | | | 22.50 |
| 1016010 | 5C16 | | | | • | | | | | | | | | | • | | | | | | 29.50 |
| 1016011 | 5D16 | | | | | • | | | | | | | | | | • | | | | | 34.50 |
| 1016012 | 5E16 | | | | | | • | | | | | | | | | | • | | | | 78.75 |
| 1016013 | 5F16 | | | | | | | | | | | | | | | | | | • | • | 81.00 |
| 1016846 | 50B16-P | | | | | | | • | • | | | | | | | | | | | | 3.00 |
| 1016847 | 50C16-P | | | | | | | | | • | | | | | | | | | | | 5.00 |
| 1016004 | 25DA16 | | | | | | | | | | • | • | | | | | | | | | 18.50 |
| 1016267 | 25EA16 | | | | | | | | | | | | • | | | | | | | | 30.00 |
| STRAINER SCREENS | | | | | | | | | | | | | | | | | | | | | |
| 1077002 | 135A77 | • | | | | | | | | • | | | | | | | | | | | \$10.25 |
| 1077004 | 135B77 | | • | • | | | | | | | | | | | | | | | | | 10.25 |
| 1077005 | 135C77 | | | | • | | | | | | | | | | | | | | | | 11.25 |
| 1077007 | 135E77 | | | | | | • | | | | | | | | | | | | | | 11.25 |
| 1077333 | 25DA77 | | | | | | | | | | • | • | | | | | | | | | 4.50 |
| 1077105 | 25FA77 | | | | | | | | | | | | • | | | | | | | | 6.75 |
| 1077022 | 4500A77 | | | | | | | • | • | | | | | | | | | | | | 10.00 |
| ADJUSTMENT SPRINGS (NOT INCLUDED IN REPAIR KITS) | | | | | | | | | | | | | | | | | | | | | |
| 1052006 | 124 | • | | | | | | • | • | | | | | | | | | | | | \$8.25 |
| 1052009 | 145 | | | • | | | | | | • | • | | | • | • | | | | | | 11.25 |
| 1052010 | 146 | | | | • | | | | | | | | | | • | | | | | | 18.25 |
| 1052670 | 236-ZC | | | | | • | | | | | | | • | | | • | | | | | 15.25 |
| 1052035 | 254 | | • | | | | | | | • | | | | | | | | | | | 8.00 |
| 1052671 | 297-ZC | | | | | | • | | | | | | | | | | | | | | 41.50 |
| 1052672 | 298-ZC | | | | | | | | | | | | | | | | • | | | | 47.00 |
| 1052673 | 299-ZC | | | | | | | | | | | | | | | | | • | • | | 73.25 |
| 1052067 | 3 | | | | | | | | | | | | | | | | | | | • | 223.00 |

| ORDERING CODE | PART NO. | SIZE (in.) | PRESSURE RATING | LIST PRICE |
|---------------|----------|------------|-----------------|------------|
|---------------|----------|------------|-----------------|------------|

Replacement Pressure Gauges - All (GG) Series Regulators

| | | | | | |
|-----------|---------|---------------|------|----------|---------|
| LEAD FREE | 0121713 | 1/8" LFDPG5-2 | 1/8" | 0-160psi | \$43.25 |
| | 0121691 | 1/4" LFDPG5-2 | 1/4" | 0-160psi | 43.25 |

Kit for P60 includes parts shown at right

Series LFU5, LF25AUB, LF223

For Model "LP" and "BLP" Regulators

Replacement Parts

When ordering specify Ordering Code, Kit No., and Valve Size.

| ORDERING CODE | PART NO. | LFU5-Z3 | | | | | | LF25AUB-Z3 | | | LF223 | | | | | | LIST PRICE | | | |
|------------------------------------|----------|---------|------|----|--------|--------|----|------------|------|----|-------|------|----|--------|--------|----|------------|---|---|---------|
| | | 1/2" | 3/4" | 1" | 1 1/4" | 1 1/2" | 2" | 1/2" | 3/4" | 1" | 1/2" | 3/4" | 1" | 1 1/4" | 1 1/2" | 2" | | | | |
| TEFLON® DIAPHRAGM PROTECTOR | | | | | | | | | | | | | | | | | | | | |
| 1020002 | 135A20T | • | | | | | | • | • | | | | | | | | | | | \$10.50 |
| 1020003 | 135B20T | | • | | | | | | | • | | | • | | | | | | | 11.75 |
| 1020005 | 135C20T | | | • | | | | | | | | | • | | | | | | | 20.25 |
| 1020007 | 135D20T | | | | • | | | | | | | | | • | | | | | | 25.25 |
| 1020084 | 5E20T | | | | | • | | | | | | | | | • | | | | | 24.50 |
| 1020009 | 135E20T | | | | | | • | | | | | | | | | | | | | 30.25 |
| 1020088 | 223E20T | | | | | | | | | | | | | | | | | • | | 54.75 |
| 1020089 | 223F20T | | | | | | | | | | | | | | | | | | • | 32.00 |

| ORDERING CODE | BOTTOM SPRING | LFU5-Z3 | | | | | | LF25AUB-Z3 | | | | | | LF223 | | | | | | LIST PRICE | | |
|-----------------------------|---------------|---------|------|----|--------|--------|----|------------|------|----|--------|--------|----|-------|------|----|--------|--------|----|------------|--------|---------|
| | | 1/2" | 3/4" | 1" | 1 1/4" | 1 1/2" | 2" | 1/2" | 3/4" | 1" | 1 1/4" | 1 1/2" | 2" | 1/2" | 3/4" | 1" | 1 1/4" | 1 1/2" | 2" | | 2 1/2" | |
| HIGH PRESSURE SPRING | | | | | | | | | | | | | | | | | | | | | | |
| 1052070 | 125 | | | | | | | • | • | | | | | | | | | | | | | \$27.25 |
| 1052035 | 254 | • | | | | | | | | | | | | | | | | | | | | 8.00 |
| 1052022 | 224 | | • | | | | | | | | | | | | | | | | | | | 17.25 |
| 1052007 | 128 | | | • | • | | | | | | | • | • | | • | • | • | | | | | 36.50 |
| 1052016 | 187 | | | | | • | | | | | | | • | | | | • | | | | | 64.25 |
| 1052671 | 297-ZC | | | | | | • | | | | | | | | | | | | | | | 41.50 |
| 1052672 | 298 | | | | | | | | | | | | | | | | | | • | | | 47.00 |
| 1052673 | †299-ZC | | | | | | | | | | | | | | | | | | | • | • | 73.25 |
| 1052047 | 296 | | | | | | | | | • | | | | | | | | | | • | • | 51.00 |

| ORDERING CODE | BOTTOM SPRING | LFU5-Z3 | | | | | | LF25AUB-Z3 | | | | | | LF223 | | | | | | LIST PRICE | | |
|----------------------|---------------|---------|------|----|--------|--------|----|------------|------|----|--------|--------|----|-------|------|----|--------|--------|----|------------|--------|--------|
| | | 1/2" | 3/4" | 1" | 1 1/4" | 1 1/2" | 2" | 1/2" | 3/4" | 1" | 1 1/4" | 1 1/2" | 2" | 1/2" | 3/4" | 1" | 1 1/4" | 1 1/2" | 2" | | 2 1/2" | |
| BOTTOM SPRING | | | | | | | | | | | | | | | | | | | | | | |
| 1052058 | 84** | • | | | | | | | | | | | | | | | | | | | | \$6.00 |
| 1052059 | 85 | | | | | | | • | • | | | | | | | | | | | | | 6.00 |
| 1105010 | 69 | | • | • | • | | | | | • | | | | | • | • | • | | | | | 6.00 |
| 1052011 | 175 | | | | | • | • | | | | | | | | | • | • | | | | | 11.50 |
| 1052070 | 125 | | | | | | | | | | | | | | | | | | | • | • | 27.25 |
| 1052711 | 710 | | | | | | | | | | | | • | | | | | | | | | 136.50 |
| 1052710 | 709 | | | | | | | | | | • | • | | | | | | | | | | 17.00 |
| 1052230 | 743 | | | | | | | | | | | | | | | | | | | | | 4.75 |
| 1052229 | 742 | | | | | | | | | | | | | | | | | | | | | 5.75 |

ADJUSTABLE SPRINGS FOR HIGH PRESSURE RANGE The Standard reduced pressure range for adjusting springs is 25-75 lbs. However, adjusting springs for a higher pressure range 75-100 lbs. are available as listed.
BOTTOM SPRINGS To convert from standard range to low pressure range (10-35 lbs.), add Bottom Spring as listed.

†Standard Range Adjusting Spring is also used for High Pressure Range with the addition of two No. 296 Springs (Nested).

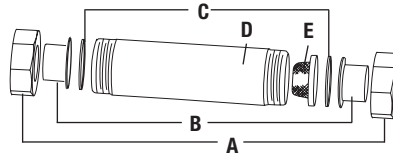
†Use No. 298 Adjusting Spring

** Use No. 111 Adjusting Spring 1052005 - \$5.50

Jumper Kits

Sizes 3/4" – 2"

Replacement Parts



Jumper Kit Exploded View

Kits consists of:
 A – Union Nut (2)
 B – Sweat Tailpiece (2)
 C – Fiber Washer (2)
 D – Jumper Nipple
 E – Screen

When ordering specify Ordering Code, Kit No., and Valve Size.

| DESCRIPTION | ORDERING CODE 3/4" | LIST PRICE | ORDERING CODE 1" | LIST PRICE | ORDERING CODE 1 1/4" | LIST PRICE | ORDERING CODE 1 1/2" | LIST PRICE | ORDERING CODE 2" | LIST PRICE |
|----------------------------------|--------------------|------------|------------------|------------|----------------------|------------|----------------------|------------|------------------|------------|
| | | | N/A | N/A | 1028031 (25) | \$33.25 | N/A | N/A | | |
| (PVC) | N/A | N/A | 1028022 | 30.50 | 1028170 (55) | 17.50 | N/A | N/A | | |
| Jumper Nipple (Brass) | N/A | N/A | N/A | N/A | | | N/A | N/A | N/A | N/A |
| Fiber Washer | 1103036 | 2.25 | 1203003 | 4.25 | 1203005 | 6.75 | 1203006 | 5.25 | 1203007 | 11.75 |
| Screen | N/A | N/A | 1077043 | 7.75 | 1077914 | 40.50 | N/A | N/A | N/A | N/A |
| | | | 1139016 | 33.75 | | | | | | |
| Male Sweat Tailpiece | N/A | N/A | 1139851 | 48.75 | N/A | N/A | | | | |
| Union Nut | N/A | N/A | | | | | | | | |
| O-Ring (Order Separately) | | | | | | | | | | |
| N45B/N55B | 1101977 | 0.54 | 1101973 | 0.64 | - | - | 1101932 | 0.96 | 1101933 | 1.75 |
| 25AUB-DU-LF-Z3 | 1101192 | 0.60 | 1101930 | 0.54 | - | - | 1101932 | 0.96 | 1101933 | 1.75 |

Complete Kits

With Plastic Nipple

| MODEL | ORDERING CODE | SIZE (IN.) | LIST PRICE |
|---|---------------|------------|------------|
| Female x Female Copper Sweat Tailpiece | | | |
| JK-P-25 S | 0006944 | 1 1/4" | \$89.25 |
| JK-P-55 S | 0007721 | 1 1/4" | 94.75 |

Kit for P60 includes parts shown at right



Jumper Kit

HOW TO ORDER JUMPER KITS

Example: 3/4" JK P-345 S

Size: _____
 3/4", 1", 1 1/4", 1 1/2", 2

Jumper Kit Designation: _____

Nipple Type: _____
 B = Brass P = Plastic

Fits Valve Model: _____
 25 = 25AUB-Z3 345 = N45, N55 (3/4"-1") 55 = N45, N55 (1 1/4"-2")

Connection: _____
 M = Male brass solder S = Female copper solder

Jumper Kits Include: Jumper Nipple, strainer screen, 2 fiber washers, 2 union nuts and tailpieces as described above. Jumper Kits are the correct lay length for the water pressure reducing Valves as listed below. When removing Jumper Nipple and inserting the water pressure reducing valve, two O-rings (ordered separately) are required.

Series 127 & 127W

Steam/Water Pressure Regulators

Sizes 1/2" – 4"

Repair Kits

When ordering specify Ordering Code, Kit No., and Valve Size.

| ORDERING CODE | PART NO. | ITEM | SIZE (IN.) | LIST PRICE |
|---------------------------------|-----------|------------------------|------------|------------|
| Complete Disc Assemblies | | | | |
| 0889210 | 127B37SRK | Disc Assembly (127 SS) | 1/2", 3/4" | \$306.00 |
| 0889211 | 127C37SRK | Disc Assembly (127 SS) | 1", 1 1/4" | 352.50 |
| 0889212 | 127E37SRK | Disc Assembly (127 SS) | 1 1/2" | 406.00 |
| 0889213 | 127F37SRK | Disc Assembly (127 SS) | 2" | 497.00 |
| 0889214 | 127G37SRK | Disc Assembly (127 SS) | 2 1/2" | 575.50 |
| 0889215 | 127H37SRK | Disc Assembly (127 SS) | 3", 4" | 594.00 |
| 0889220 | 127H37RRK | Disc Assembly (127 W) | 3", 4" | 687.00 |

Includes all items marked**

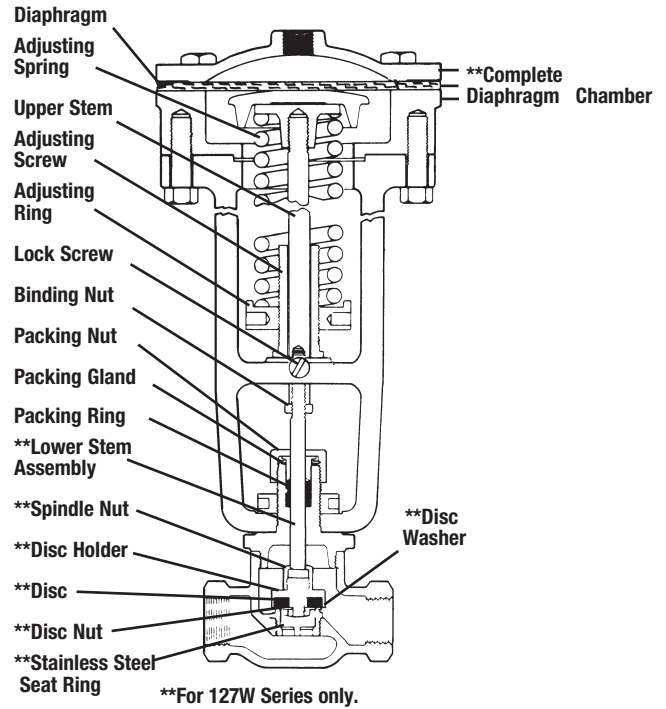
Complete Diaphragm Chamber

| ORDERING CODE | PART NO. | ITEM | SIZE (IN.) | LIST PRICE |
|---------------|-------------|-------------------|------------|------------|
| 0889230 | SA6L20G RK | Diaphragm Chamber | 1/2" -4" | \$512.50 |
| 0889231 | SA8L20G RK | Diaphragm Chamber | 1/2" -4" | 664.50 |
| 0889232 | SA10L20G RK | Diaphragm Chamber | 1/2" -4" | 903.50 |
| 0889233 | SA15L20G RK | Diaphragm Chamber | 1/2" -4" | 1,420.00 |

Replacement Parts

| ORDERING CODE | PART NO. | ITEM | SIZE (IN.) | LIST PRICE |
|---------------|-----------------|-------------------|------------|------------|
| 0889226 | 6L20 RK | Diaphragm 6" | 1/2"-4" | \$63.75 |
| 0889227 | 8L20 RK | Diaphragm 8" | 1/2"-4" | 93.25 |
| 0889228 | 10L20 RK | Diaphragm 10" | 1/2"-4" | 157.50 |
| 0889229 | 15L20 RK | Diaphragm 15" | 1/2"-4" | 281.50 |
| See Below | ***1 or ***2 | *Adjusting Spring | 1/2"-4" | |
| 1050064 | 127A50 | Upper Stem | 1/2"-4" | 35.25 |
| 1053046 | 39A53 | Adjusting Screw | 1/2"-4" | 48.75 |
| 1054014 | 39A54 | Adjusting Ring | 1/2"-4" | 62.75 |
| 1024007 | 1/4"-20" x 1/2" | Lock Screw | 1/2"-4" | 0.71 |
| 1051001 | 125A51 | Binding Nut | 1/2"-4" | 10.50 |
| 1042006 | 2A42 | Packing Nut | 1/2"-4" | 17.00 |
| 1041049 | 2A41 | Packing Gland | 1/2"-4" | 11.50 |
| 1041011 | ***1 | Packing Ring | 1/2"-4" | 3.75 |
| 1048026 | 127A48S | Spindle Nut | 1/2"-4" | 15.25 |
| *0889238 | RK-Black | Spring-Black | 1/2"-4" | 71.00 |
| *0889239 | RK-Green | Spring-Green | 1/2"-4" | 71.00 |

***1 Packing Ring - 3 required per valve



| ORDERING CODE | PART NO. | ITEM | SIZE (IN.) | LIST PRICE |
|---------------|-----------|---------------------------|----------------|------------|
| 1049011 | SA127A49S | Lower Stem Assy. | 1/2"-2" | \$45.00 |
| 1049010 | SA127G49S | Lower Stem Assy. | 2 1/2", 3", 4" | 57.25 |
| 1016211 | 127B16S | SS Seat Ring (127, 127SC) | 1/2"-3/4" | 129.00 |
| 1016212 | 127C16S | SS Seat Ring (127, 127SC) | 1"-1 1/4" | 98.00 |
| 1016213 | 127E16S | SS Seat Ring (127, 127SC) | 1 1/2" | 136.50 |
| 1016214 | 127F16S | SS Seat Ring (127, 127SC) | 2" | 144.00 |
| 1016215 | 127G16S | SS Seat Ring (127, 127SC) | 2 1/2" | 163.50 |
| 1016252 | 127H16S | SS Seat Ring (127, 127SC) | 3", 4" | 158.50 |

| ORDERING CODE | PART NO. | ITEM | SIZE (IN.) | LIST PRICE |
|---------------|----------|------------------|------------|------------|
| 1047103 | 127B47 | Disc Holder | 1/2"-3/4" | \$97.25 |
| 1047104 | 127C47 | Disc Holder | 1"-1 1/4" | 130.00 |
| 1047105 | 127H47 | Disc Holder | 3", 4" | 99.50 |
| 1037019 | 24B37 | Composition Disc | 1/2"-3/4" | 28.00 |
| 1037112 | 24HH37 | Buna N Disc** | 3", 4" | 58.75 |
| 1051007 | 26V51 | Disc Nut | 1/2"-3/4" | 2.50 |
| 1024001 | 127AA8 | Discwasher | 1/2"-3/4" | 1.75 |
| 1008001 | 125C8 | Discwasher | 1"-1 1/4" | 3.75 |

Series 152A, 152AT, 252A, 252AT

Steam Pressure Regulators

Sizes 1/2" – 2"

When Ordering, Specify: 1. Ordering Code 2. Regulator Number
3. Part Name and Number or Kit Number 4. When Ordering Adjusting Spring, specify Reduced Pressure Range and Spring Number.

Repair Kits

| ORDERING CODE | KIT NO. | MODELS | SIZE (IN.) | LIST PRICE |
|---------------|---------|--------------|--------------|------------|
| 0875505 | 152ARK | 152A, 252A | 1/2" | \$240.50 |
| 0875605 | 152ARK | 152A, 252A | 3/4" | 273.00 |
| 0875705 | 152ARK | 152A, 252A | 1" or 1 1/4" | 342.00 |
| 0875725 | 152ARK | 152A, 252A | 1 1/2" or 2" | 599.00 |
| 0875751 | 152ATRK | 152AT, 252AT | 1/2" | 240.50 |
| 0875860 | 152ATRK | 152AT, 252AT | 3/4" | 273.00 |
| 0875861 | 152ATRK | 152AT, 252AT | 1" or 1 1/4" | 342.00 |

Complete repair kits include all items at right marked **

Repair Kits

| ORDERING CODE | PART NO. | ITEM | ADJUSTING SPRING RANGE-PSI | SIZE (IN.) | LIST PRICE |
|---------------|----------|------|----------------------------|------------|------------|
|---------------|----------|------|----------------------------|------------|------------|

152A, 252A

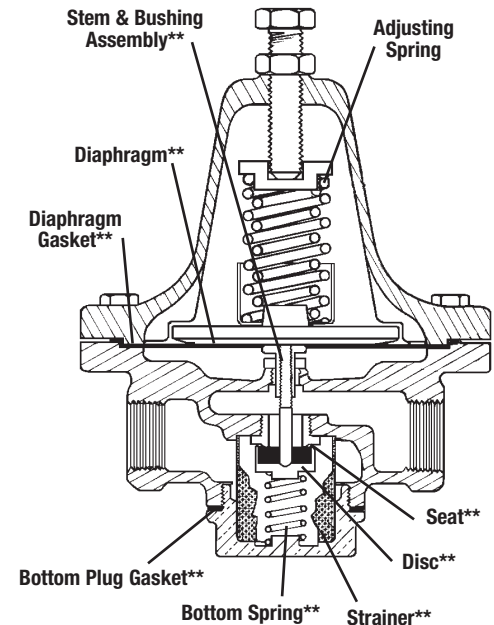
| | | | | | |
|---------|-----------------|---------------------------------|--------|------------------------|---------|
| 1052009 | 145 | Adjusting Spring | 3-15 | 1/2" or 3/4" | \$11.25 |
| 1052010 | 146 | Adjusting Spring | 3-15 | 1" or 1 1/4" | 18.25 |
| 1052010 | 146 | Adjusting Spring | 10-30 | 1/2" or 3/4" | 18.25 |
| 1052007 | 128 | Adjusting Spring | 10-30 | 1" or 1 1/4" | 36.50 |
| 1052072 | 141 | Adjusting Spring | 30-140 | 1/2" or 3/4" | 83.75 |
| 1052073 | 142 | Adjusting Spring | 30-140 | 1" or 1 1/4" | 117.50 |
| 1052074 | 276 | Adjusting Spring | 5-40 | 1 1/2" or 2" | 81.50 |
| 1052673 | 299-ZC (zinc) | Adjusting Spring | 30-100 | 1 1/2" or 2" | 73.25 |
| 1052131 | 576 | Bottom Spring | | 1/2", 3/4", 1", 1 1/4" | 3.75 |
| 1052651 | 616 | Bottom Spring | | 1 1/2" or 2" | 53.75 |
| 1101054 | 4 1/4" x 4 3/4" | Diaphragm Gasket | | 1/2" or 3/4" | 10.00 |
| 1101057 | 5 3/8" x 6" | Diaphragm Gasket | | 1" or 1 1/4" | 17.25 |
| 1101058 | 6" x 6 15/16" | Diaphragm Gasket | | 1 1/2" or 2" | 13.25 |
| 1077029 | 152B77-M1 | Strainer | | 1/2" or 3/4" | 18.25 |
| 1077030 | 152C77-M1 | Strainer | | 1" or 1 1/4" | 18.25 |
| 1077006 | 135D77 | Strainer | | 1 1/2" or 2" | 13.25 |
| 1102109 | 152AA102-T | Bottom Plug | | 1/2" or 3/4" | 6.50 |
| 1102042 | 152C102-T | Gasket | | 1", 1 1/4", 1 1/2", 2" | 25.00 |
| 1016046 | 152AA16 | Seat | | 1/2" | 37.25 |
| 1016047 | 152BA16 | Seat | | 3/4" | 44.50 |
| 1016048 | 152CA16 | Seat | | 1" or 1 1/4" | 59.25 |
| 1016049 | 152EA16 | Seat | | 1 1/2" or 2" | 115.50 |
| 1029080 | SA-152AA29 | Stem, Disc, Seat & Bushing Assy | | 1/2" | 114.00 |
| 1029081 | SA-152BA29 | Stem, Disc, Seat & Bushing Assy | | 3/4" | 126.00 |
| 1029082 | SA-152CA29 | Stem, Disc, Seat & Bushing Assy | | 1" or 1 1/4" | 145.50 |
| 1029083 | SA-152EA29 | Stem, Disc, Seat & Bushing Assy | | 1 1/2" or 2" | 225.00 |
| 1020107 | 152B20 | Diaphragm (Order 3) | | 1/2" or 3/4" | 7.75 |
| 1020108 | 152C20 | Diaphragm (Order 3) | | 1" or 1 1/4" | 12.50 |
| 1020110 | 152E20 | Diaphragm (Order 3) | | 1 1/2" or 2" | 18.00 |

| ORDERING CODE | PART NO. | ITEM | SIZE (IN.) | LIST PRICE |
|---------------|----------|------|------------|------------|
|---------------|----------|------|------------|------------|

152AT - 252T

(Same parts as 152A, 252A except for following)

| | | | | | |
|---------|------------|---------------------------------|--|------------------------|--------|
| 1105010 | SPR 69 | Bottom Spring | | 1/2", 3/4", 1", 1 1/4" | \$6.00 |
| 1016261 | 152AB16-M3 | Seat | | 1/2" | 49.00 |
| 1016032 | 152B16-M1 | Seat | | 3/4" | 55.50 |
| 1016262 | 152C16-M1 | Seat | | 1" or 1 1/4" | 101.50 |
| 1029031 | SA-152A29T | Stem, Disc, Seat & Bushing Assy | | 1/2" | 120.00 |
| 1029050 | SA-152B29T | Stem, Disc, Seat & Bushing Assy | | 3/4" | 109.00 |
| 1029189 | SA-152C29T | Stem, Disc, Seat & Bushing Assy | | 1" or 1 1/4" | 208.00 |



Series 152SS

Steam Pressure Regulators

Sizes 1/2" – 1"

Repair Kits

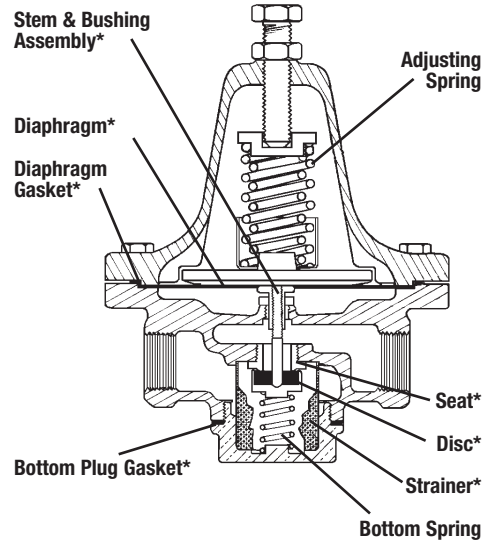
When ordering specify Ordering Code, Kit No., and Valve Size.

| ORDERING CODE | PART NO. | MODELS | SIZE (IN.) | LIST PRICE |
|---------------|------------------|--------|------------|------------|
| 0875512 | 1/2" 152SS-RK | 152SS | 1/2" | \$577.50 |
| 0875627 | 3/4"-1" 152SS-RK | 152SS | 3/4"-1" | 610.00 |

Kit for 152SS includes all items at right*

Replacement Parts

| ORDERING CODE | PART NO. | ITEM | ADJUSTING SPRING RANGE-PSI | SIZE (IN.) | LIST PRICE |
|---------------|-----------------|---------------------------------|----------------------------|------------|------------|
| 1052007 | 128 | Adjusting Spring | 3-15 | 1/2"-1" | \$36.50 |
| 1052202 | 591 | Adjusting Spring | 10-30 | 1/2"-1" | 413.50 |
| 1052203 | 592 | Adjusting Spring | 30-140 | 1/2"-1" | 591.50 |
| 1052200 | 589 | Bottom Spring | | 1/2"-1" | 226.50 |
| 1101054 | 4 1/4" x 4 3/4" | Diaphragm Gasket | | 1/2"-1" | 10.00 |
| 1077029 | 152B77-M1 | Strainer | | 1/2"-1" | 18.25 |
| 1102109 | 152AA102-T | Bottom Plug Gasket | | 1/2"-1" | 6.50 |
| 1016258 | 152SSAA16 | Seat | | 1/2" | 87.25 |
| 1016259 | 152SSCA16 | Seat | | 3/4"-1" | 95.25 |
| 1029190 | SA152SSB29 | Stem, Disc, Seat & Bushing Assy | | 3/4"-1" | 233.50 |
| 1020138 | 152SSAA20 | Diaphragm (order 3) | | 1/2"-1" | 74.00 |



Series 152SST

Steam Pressure Regulators

Sizes 1/2" – 1"

Repair Kits

Same parts as 152SS except for

| ORDERING CODE | PART NO. | ITEM | SIZE (IN.) | LIST PRICE |
|---------------|------------------|-------|------------|------------|
| 0875512 | 1/2" 152SS-RK | 152SS | 1/2" | \$577.50 |
| 0875627 | 3/4"-1" 152SS-RK | 152SS | 3/4"-1" | 610.00 |

Kit for 152SS includes all items at right*

Replacement Parts

| ORDERING CODE | PART NO. | ITEM | SIZE (IN.) | LIST PRICE |
|---------------|--------------|---------------------|------------|------------|
| 1105010 | 69 | Bottom Spring | 1/2"-1" | \$6.00 |
| 1016190 | T152SSAA16 | Seat | 1/2" | 106.50 |
| 1016138 | T152SSCA16 | Seat | 3/4"-1" | 95.00 |
| 1029188 | SA-152SSB29T | Disc & Bushing Assy | 3/4"-1" | 374.00 |

Series FBV-3C, FBVS-3C, LFFBV-3C, LFFBVS-3C

Brass Ball Valves

Sizes 1/4" – 3"



These handle kits will only fit FBV-3C and LFFBV-3C series ball valves manufactured in our WNV facility. If the ball valve has the NSF logo shown above on the lever handle, use these kits.

2

Ball Valves

Handle Kits

When ordering specify Ordering Code, Kit No., and Valve Size.

| ORDERING CODE | KIT NO. | FBV-3C/LFFBV-3C SIZE (IN.) | FBVS-3C/LFFBVS-3C SIZE (IN.) | LIST PRICE |
|---------------|---------|----------------------------|------------------------------|------------|
|---------------|---------|----------------------------|------------------------------|------------|

Lever Handle Kits

| | | | | |
|---------|---------|-------------|--------|---------|
| 0548500 | ILHK-30 | 1/4" - 1/2" | - | \$11.50 |
| 0548503 | ILHK-33 | 1 1/2" | - | 20.00 |
| 0548507 | ILHK-37 | - | 1/2" | 11.50 |
| 0548510 | ILHK-40 | - | 1 1/2" | 20.00 |
| 0548512 | ILHK-42 | - | 2 1/2" | 37.25 |

Tee Handle Kits

| | | | | |
|---------|---------|------|------|---------|
| 0548515 | ITHK-11 | 3/4" | - | \$18.00 |
| 0548527 | ITHK-13 | - | 1/2" | 13.00 |
| 0548529 | ITHK-15 | - | 1" | 22.50 |

Memory Stops

| | | | | |
|---------|-----------|-------------|-------------|--------|
| 0548522 | #5 MSI-HK | 1/4" - 1/2" | 1/2" | \$5.00 |
| 0548523 | #6 MSI-HK | 3/4" | 3/4" | 5.25 |
| 0548524 | #7 MSI-HK | 1" - 1 1/4" | 1" - 1 1/4" | 6.50 |
| 0548525 | #8 MSI-HK | 1 1/2" | 1 1/2" | 6.75 |
| 0548526 | #9 MSI-HK | 2" | 2" | 7.50 |

Extention Handle Kits

| | | | | |
|---------|-----------|-------------|---|---------|
| 0548517 | #5 SXI-HK | 1/4" - 1/2" | - | \$29.25 |
| 0548518 | #6 SXI-HK | 3/4" | - | 41.75 |
| 0548519 | #7 SXI-HK | 1" - 1 1/4" | - | 52.50 |
| 0548520 | #8 SXI-HK | 1 1/2" | - | 67.00 |
| 0548521 | #9 SXI-HK | 2" | - | 72.25 |

Lead Free* Copper Silicon Alloy LFB6800, LFB6400, LFB6780 Ball Valves

SSK Series

When ordering specify Ordering Code, Kit No., and Valve Size.



| ORDERING CODE | KIT NO. | VALVE SERIES | VALVE SIZE (IN.) | LIST PRICE |
|---------------|---------|--------------|------------------|------------|
|---------------|---------|--------------|------------------|------------|

Seat and Seal Kits

| ORDERING CODE | KIT NO. | VALVE SERIES | VALVE SIZE (IN.) | LIST PRICE |
|---------------|--------------|------------------|------------------|------------|
| 0885494 | 2 SSK-02-RK | LFB6800, LFB6801 | 1/4", 3/8", 1/2" | \$36.75 |
| 0885486 | 3 SSK-01-RK | LFB6400 | 1/4", 3/8", 1/2" | 27.25 |
| 0885472 | 3 SSK-02-RK | LFB6400 | 1/4", 3/8", 1/2" | 27.25 |
| 0885860 | 64 SSK-02-RK | LFB6400 | 3/4" | 26.25 |
| 0885534 | 5 SSK-01-RK | LFB6800, LFB6801 | 3/4" | 43.00 |
| 0885495 | 5 SSK-02-RK | LFB6800, LFB6801 | 3/4" | 43.00 |
| 0885861 | 65 SSK-02-RK | LFB6400 | 1" | 50.25 |
| 0885475 | 7 SSK-02-RK | LFB6400 | 1 1/4" | 78.25 |
| 0885658 | 7 SSK-01-RK | LFB6800, LFB6801 | 1" | 78.25 |
| 0885475 | 7 SSK-02-RK | LFB6800, LFB6801 | 1" | 78.25 |
| 0885476 | 8 SSK-02-RK | LFB6400 | 1 1/2" | 106.00 |
| | | LFB6800, LFB6801 | 1 1/4" | |
| 0885491 | 9 SSK-01-RK | LFB6800, LFB6801 | 1 1/2" | 135.00 |
| 0885477 | 9 SSK-02-RK | LFB6800, LFB6801 | 1 1/2" | 135.00 |
| 0885477 | 9 SSK-02-RK | LFB6400 | 2" | 135.00 |
| 0885625 | 10 SSK-01-RK | LFB6800, LFB6801 | 2" | 210.00 |
| 0885721 | 10 SSK-02-RK | LFB6800, LFB6801 | 2" | 210.00 |
| 0885721 | 10 SSK-02-RK | LFB6400 | 2 1/2" | 210.00 |

| ORDERING CODE | KIT NO. | VALVE SERIES | VALVE SIZE (IN.) | LIST PRICE |
|---------------|--------------|------------------|------------------|------------|
| 0885446 | 19 SSK-01-RK | LFB6780, LFB6781 | 1/4", 3/8", 1/2" | \$29.25 |
| 0406321 | SSK01RKM2 #8 | LFB6780, LFB6781 | 1 1/4" | 106.00 |
| 0885533 | 23 SSK-01-RK | LFB6780 | 1 1/2" | 106.00 |
| 0885493 | 24 SSK-01-RK | LFB6780 | 2" | 135.00 |

Seat and Seal Kit Option Codes:

Suffix:

01 - Virgin Teflon® (TFE)

02 - "Standard" Durafill®

LEAD FREE

2

Ball Valves

*The wetted surface of this product contacted by consumable water contains less than 0.25% of lead by weight.

Lead Free* Copper Silicon Alloy LFB6800, LFB6400, LFB6780 Ball Valves

Ball and Stem Kits



BSK Series

When ordering specify Ordering Code, Kit No., and Valve Size.

| ORDERING CODE | KIT NO. | VALVE SERIES | VALVE SIZE (IN.) | LIST PRICE |
|---------------|---------|--------------|------------------|------------|
|---------------|---------|--------------|------------------|------------|

Lever Handle Kits

| ORDERING CODE | KIT NO. | VALVE SERIES | VALVE SIZE (IN.) | LIST PRICE |
|---------------|------------------|------------------|------------------|------------|
| 0123644 | 2 LFBSK-B-RK | LFB6400, LFB6800 | 1/4", 3/8", 1/2" | \$32.50 |
| 0123650 | 3 LFBSK B-RK | LFB6400, LFB6800 | 1/4", 3/8", 1/2" | 33.75 |
| 0125101 | 5 LFBSK-B-RK | LFB6400 | 1" | 61.25 |
| 0123651 | 6 LFBSK-B-RK | LFB6800 | 3/4" | 69.00 |
| 0123646 | 7 LFBSK-B-RK | LFB6400, LFB6800 | 1 1/4", 1 1/2" | 92.75 |
| 0123647 | 8 LFBSK-B-RK | LFB6400, LFB6800 | 1 1/4", 1 1/2" | 132.50 |
| 0123656 | 9 LFBSK-B-RK | LFB6400, LFB6800 | 2", 1 1/2" | 185.50 |
| 0125098 | 10 LFBSK-B-RK-M2 | LFB6400, LFB6800 | 2", 1 1/2" | 141.50 |
| 0123661 | 11 LFBSK-SS-RK | LFB6800 | 2" | 494.50 |
| 0123653 | 11LFBSK-B-RK | LFB6400, LFB6800 | 2", 2 1/2" | 332.00 |
| 0123643 | 12 LFBSK-B-RK | LFB6400 | 3" | 425.50 |
| 0123662 | 26 LFBSK-B-RK | LFB6780 | 3/8", 1/2" | 27.50 |
| 0123663 | 27 LFBSK-B-R | LFB6780 | 3/4" | 40.00 |
| 0123664 | 28 LFBSK-B-RK | LFB6780 | 1" | 64.50 |
| 0123668 | 29 LFBSK-B-RK | LFB6780 | 1 1/4" | 92.75 |
| 0123665 | 30 LFBSK-B-RK | LFB6780 | 1 1/2" | 132.50 |
| 0123666 | 31 LFBSK-B-RK | LFB6780 | 2" | 449.50 |
| 0125159 | 35 LFBSK-B-RK | LFB6400 | 4" | 519.00 |

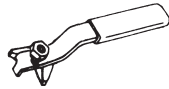
2

Ball Valves

LEAD FREE*

Lead Free* Copper Silicon Alloy LFB6800, LFB6400, LFB6780 Ball Valves

Standard Lever Handle Kits

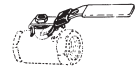


HK Series

When ordering specify Ordering Code, Kit No., and Valve Size.

| ORDERING CODE | KIT NO. | VALVE SERIES | VALVE SIZE (IN.) | LIST PRICE |
|--------------------|---------|--------------|------------------|------------|
| LEAD FREE* 0885452 | 1 HK | LFB6400 | 1/4", 3/8", 1/2" | \$11.00 |
| | | LFB6780-M1 | 1/4", 3/8", 1/2" | |
| | | LFB6800 | 1/4", 3/8", 1/2" | |
| | | LFB6780-M1 | 3/4" | |
| 0885453 | 2 HK | LFB6400 | 3/4" | 14.00 |
| | | LFB6800 | 3/4" | |
| | | LFB6080 | 1" | |
| 0885454 | 3 HK | LFB6400 | 1" | 14.00 |
| | | LFB6780-M1 | 1" | |
| 0885455 | 4 HK | LFB6800 | 1", 1 1/4" | 17.25 |
| | | LFB6400 | 1 1/4", 1 1/2" | |
| | | LFB6780-M1 | 1 1/4", 1 1/2" | |
| 0885457 | 5 HK | LFB6800 | 1 1/2", 2" | 17.25 |
| | | LFB6400 | 2 1/2", 3" | |

Latch - Lock Lever Handle Kits



LL Series

When ordering specify Ordering Code, Kit No., and Valve Size.

| ORDERING CODE | KIT NO. | VALVE SERIES | VALVE SIZE (IN.) | LIST PRICE |
|--------------------|----------|--------------|------------------|------------|
| LEAD FREE* 0885585 | 2 LL-HK | LFB6400-LL | 1/4", 3/8", 1/2" | 31.00 |
| | | LFB6800-LL | 1/4", 3/8", 1/2" | |
| 0885536 | 4 LL-HK | LFB6400-LL | 3/4" | 33.00 |
| | | LFB6800-LL | 3/4" | |
| 0885589 | 6 LL-HK | LFB6400-LL | 1" | 33.00 |
| 0885571 | 7 LL-HK | LFB6800-LL | 1", 1 1/4" | 56.75 |
| | | LFB6400-LL | 1 1/4", 1 1/2" | |
| 0885574 | 9 LL-HK | LFB6800-LL | 1 1/2", 2" | 54.25 |
| | | LFB6400-LL | 2" | |
| 0885565 | 10 LL-HK | LFB6800-LL | 2" | 54.25 |
| | | LFB6400-LL | 3" | |

2

Ball Valves

Lead Free* Bronze LFB6800, LFB400, LFB6080, LFB6780 Ball Valves

Extended Lever Handle Kits



XHK Series

When ordering specify Ordering Code, Kit No., and Valve Size.

| ORDERING CODE | KIT NO. | VALVE SERIES | VALVE SIZE (IN.) | LIST PRICE |
|--------------------|--------------|--------------|------------------------|------------|
| LEAD FREE* 0407760 | 7 XHK-LH-HK | LFB6400 | 1/4", 3/8", 1/2" | \$54.25 |
| | | LFB6800 | 1/4", 3/8", 1/2" | |
| | | LFB6780-M1 | 1/4", 3/8", 1/2", 3/4" | |
| 0407761 | 8 XHK-LH-HK | LFB6400 | 3/4" | 54.25 |
| | | LFB6800 | 3/4" | |
| 0407762 | 9 XHK-LH-HK | LFB6400 | 1" | 54.25 |
| | | LFB6780-M1 | 1" | |
| 0407763 | 10 XHK-LH-HK | LFB6400 | 1 1/4", 1 1/2" | 54.25 |
| | | LFB6780-M1 | 1 1/2" | |
| | | LFB6800 | 1", 1 1/4" | |
| 0407764 | 11 XHK-LH-HK | LFB6400 | 1 1/4", 1 1/2" | 54.25 |
| | | LFB6800 | 1", 1 1/4" | |
| 0407765 | 12 XHK-LH-HK | LFB6800-SS | 1 1/2", 2" | 54.25 |
| | | LFB6400-SS | 2", 2 1/2", 3" | |
| | | LFB6080-SS | 2 1/2", 3" | |
| 0407766 | 13XHK-LH-HK | B-6800 | 1 1/2", 2" | 54.25 |
| | | B-6400 | 2", 2 1/2", 3" | |
| | | B-6080 | 2" | |

*The wetted surface of this product contacted by consumable water contains less than 0.25% of lead by weight.

Lead Free* Copper Silicon Alloy LFB6800, LFB6400, LFB6780 Ball Valves

"T" Handle Kits



TH Series

When ordering specify Ordering Code, Kit No., and Valve Size.

| ORDERING CODE | KIT NO. | VALVE SERIES | VALVE SIZE (IN.) | LIST PRICE |
|---------------|---------|--------------|------------------|------------|
| 0887388 | 1 TH-HK | LFB6400 | 1/4", 3/8", 1/2" | 12.25 |
| | | LFB6780-M1 | 1/4", 3/8", 1/2" | |
| | | LFB6800 | 1/4", 3/8", 1/2" | |
| 0887389 | 2 TH-HK | LFB6400 | 3/4" | 14.75 |
| | | LFB6780-M1 | 3/4" | |
| | | LFB6800 | 3/4" | |
| 0887391 | 4 TH-HK | LFB6800 | 1", 1 1/4" | 30.25 |
| | | LFB6400 | 1 1/4", 1 1/2" | |
| | | LFB6780-M1 | 1 1/4", 1 1/2" | |
| 0887392 | 5 TH-HK | LFB6800 | 1 1/2", 2" | 49.00 |
| | | LFB6400 | 2 1/2", 3" | |
| | | LFB6780-M1 | 2 1/2", 3" | |

** Not recommended due to high operating torques.

Stainless Steel Lever Handle Kits



SH Series

When ordering specify Ordering Code, Kit No., and Valve Size.

| ORDERING CODE | KIT NO. | VALVE SERIES | VALVE SIZE (IN.) | LIST PRICE |
|---------------|---------|--------------|------------------|------------|
| 0887382 | 1 SH-HK | LFB6400 | 1/4", 3/8", 1/2" | 13.75 |
| | | LFB6780-M1 | 1/4", 3/8", 1/2" | |
| | | LFB6800 | 1/4", 3/8", 1/2" | |
| 0887383 | 2 SH-HK | LFB6400 | 3/4" | 13.75 |
| | | LFB6780-M1 | 3/4" | |
| | | LFB6800 | 3/4" | |
| 0887384 | 3 SH-HK | LFB6400 | 1" | 29.75 |
| | | LFB6780-M1 | 1" | |
| 0887395 | 4 SH-HK | LFB6800 | 1", 1 1/4" | 26.00 |
| | | LFB6400 | 1 1/4", 1 1/2" | |
| | | LFB6780-M1 | 1 1/4", 1 1/2" | |
| 0887386 | 5 SH-HK | LFB6800 | 1 1/2", 2" | 29.75 |
| | | LFB6400 | 2 1/2", 3" | |
| | | LFB6780-M1 | 2 1/2", 3" | |

2

Ball Valves

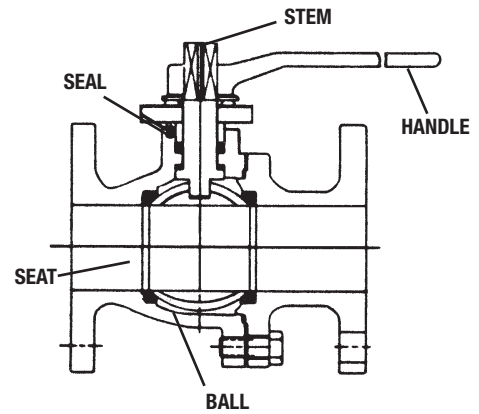
G4000-M1

Seat and Seal Kits

SSK Series

When ordering specify Ordering Code, Kit No., and Valve Size.

| ORDERING CODE | KIT NO. | VALVE SERIES | VALVE SIZE (IN.) | LIST PRICE |
|---------------|--------------|--------------|------------------|------------|
| 0830000 | SSK-G4000-M1 | G4000-M1 | 2" | 135.50 |
| 0830001 | SSK-G4000-M1 | G4000-M1 | 2 1/2" | 261.50 |
| 0830002 | SSK-G4000-M1 | G4000-M1 | 3" | 276.00 |
| 0830003 | SSK-G4000-M1 | G4000-M1 | 4" | 523.00 |
| 0830004 | SSK-G4000-M1 | G4000-M1 | 6" | 657.00 |



Ball and Stem Kits

BSK Series

| ORDERING CODE | KIT NO. | VALVE SERIES | VALVE SIZE (IN.) | LIST PRICE |
|---------------|--------------|--------------|------------------|------------|
| 0830005 | BSK-G4000-M1 | G4000-M1 | 2" | 216.50 |
| 0830006 | BSK-G4000-M1 | G4000-M1 | 2 1/2" | 323.00 |
| 0830008 | BSK-G4000-M1 | G4000-M1 | 4" | 552.00 |
| 0830009 | BSK-G4000-M1 | G4000-M1 | 6" | 1,403.00 |

Handle Kits

HK Series

| ORDERING CODE | KIT NO. | VALVE SERIES | VALVE SIZE (IN.) | LIST PRICE |
|---------------|-------------|--------------|------------------|------------|
| 0835500 | HK-G4000-M1 | G4000-M1 | 2" | 50.50 |
| 0835501 | HK-G4000-M1 | G4000-M1 | 2 1/2" | 55.25 |
| 0835502 | HK-G4000-M1 | G4000-M1 | 3" | 55.25 |
| 0835503 | HK-G4000-M1 | G4000-M1 | 4" | 70.00 |
| 0835504 | HK-G4000-M1 | G4000-M1 | 6" | 73.50 |

Series 405

Iron Flanged Gate Valves

Sizes 2 1/2" – 10"

Handle Kits and Packing Gland

When ordering specify Ordering Code, Kit No., and Valve Size.

| ORDERING CODE | KIT NO. | VALVE SERIES | SIZE (IN.) | LIST PRICE |
|---------------|-----------------|--------------|------------|------------|
| 0899335 | 405-HandleWheel | 405 | 2 1/2" | \$96.00 |
| 0899336 | 405-PkingGland | 405 | 2 1/2" | 19.50 |
| 0899337 | 405-HandleWheel | 405 | 3" | 96.00 |
| 0899338 | 405-PkingGland | 405 | 3" | 19.50 |
| 0899339 | 405-HandleWheel | 405 | 4" | 172.00 |
| 0899340 | 405-PkingGland | 405 | 4" | 34.75 |
| 0899341 | 405-HandleWheel | 405 | 6" | 267.50 |
| 0899342 | 405-PkingGland | 405 | 6" | 54.00 |
| 0899343 | 405-HandleWheel | 405 | 8" | 342.50 |
| 0899344 | 405-PkingGland | 405 | 8" | 68.75 |
| 0899345 | 405-HandleWheel | 405 | 10" | 481.00 |
| 0899346 | 405-PkingGland | 405 | 10" | 96.50 |

Series LF408

Iron Flanged Gate Valves

Sizes 2 1/2" – 10"

Handle Kits

When ordering specify Ordering Code, Kit No., and Valve Size.

| ORDERING CODE | KIT NO. | VALVE SERIES | SIZE (IN.) | LIST PRICE |
|-----------------|---------|--------------|------------|------------|
| Domestic | | | | |
| 0889612 | 408-HK | 408 | 2 1/2" | \$308.50 |
| 0889613 | 408-HK | 408 | 3" | 478.50 |
| 0889614 | 408-HK | 408 | 4" | 551.50 |
| 0889615 | 408-HK | 408 | 6" | 750.50 |
| 0889616 | 408-HK | 408 | 8" | 897.00 |
| 0889617 | 408-HK | 408 | 10" | 1,286.00 |

Import

| ORDERING CODE | KIT NO. | VALVE SERIES | SIZE (IN.) | LIST PRICE |
|---------------|-------------|--------------|------------|------------|
| 0889640 | 408-RW-HK-F | 408-RW | 2 1/2" | \$308.50 |
| 0889641 | 408-RW-HK-F | 408-RW | 3" | 478.50 |
| 0889642 | 408-RW-HK-F | 408-RW | 4" | 551.50 |
| 0889644 | 408-RW-HK-F | 408-RW | 8" | 897.00 |
| 0889645 | 408-RW-HK-F | 408-RW | 10" | 1,286.00 |

Series LF600, LF601

Bronze Silent Check Valves

Sizes 1/4" – 2"

Repair Kits

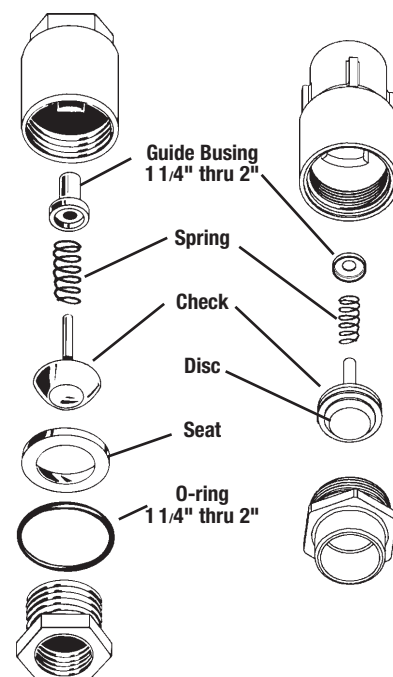
When ordering specify Ordering Code, Kit No., and Valve Size.

| ORDERING CODE | KIT NO. | VALVE SERIES | SIZE (IN.) | LIST PRICE |
|---------------|---------|--------------|-----------------|------------|
| 0125143 | 600RK | 600 | 1/4"- 3/8"-1/2" | \$ 47.25 |
| 0125144 | 600RK | 600 | 3/4" | 52.00 |
| 0125141 | 600RK | 600 | 1" | 66.50 |
| 0125145 | 600RK | 600 | 1 1/4" | 136.00 |
| 0125142 | 600RK | 600 | 1 1/2" | 167.50 |
| 0125146 | 600RK | 600 | 2" | 220.00 |

Kit for LF600, LF601 consists of parts shown at right

Model LF600

Model LF601



*The wetted surface of this product contacted by consumable water contains less than 0.25% of lead by weight.

Strainer Screens and Gaskets

Standard Strainer Screen Replacements

| SERIES | SIZE (IN.) | SCREEN ORDERING CODE | PART NO. | STANDARD SCREEN SIZE | LIST PRICE | GASKET ORDERING CODE | PART NO. | LIST PRICE | |
|--|--|----------------------|----------|----------------------|-------------|----------------------|----------|---------------------------|---------|
| Series LF17 (3/4" - 1") and Series LF27 (1/8" - 1/2") | | | | | | | | | |
| LEAD FREE | 17 | 3/4"-1" | 1077010 | SA-17BA77-40 | 40 Mesh | \$23.25 | 1102060 | 17BA102 | \$5.00 |
| | 27 | 1/8" | 1077024 | P18Y77-40 | 40 Mesh | 3.50 | 1101010 | 11/16" x 7/8" x 1/32" NLY | 0.71 |
| | 27 | 1/4" | 1077012 | 27Y77-30 | 30 Mesh | 8.75 | 1103032 | N56A103 | 0.71 |
| | 27 | 3/8" | 1077022 | 4500A77-24 | 24 Mesh | 10.00 | 1101064 | 9DA101 | 2.50 |
| | 27 | 1/2" | 1077002 | 135A77-24 | 24 Mesh | 10.25 | 1101064 | 9DA101 | 2.50 |
| Series LF777 / S777 / LF777S / LFS777S (1/4" - 4") | | | | | | | | | |
| LEAD FREE | 777 | 1/4"-3/8" | 1077496 | 777x77-20 | 20 Mesh | \$7.75 | 1101347 | 777xa101 | \$0.37 |
| | 777 | 1/2" | 1077602 | 777AB77-20 | 20 Mesh | 6.75 | 1101557 | 777AA101 | 3.50 |
| | 777 | 3/4" | 1077603 | 777BA77-20 | 20 Mesh | 11.50 | 1101825 | 777BA101 | 3.50 |
| | 777 | 1" | 1077653 | 777CA77-20 | 20 Mesh | 11.50 | | | |
| | 777 | 1 1/4" | 1077654 | 777DA77-20 | 20 Mesh | 11.50 | | | |
| | 777 | 1 1/2" | 1077655 | 777EA77-20 | 20 Mesh | 11.50 | 1101820 | 777EA101 | 4.75 |
| | 777 | 2" | 1077485 | 777FB77-20 | 20 Mesh | 13.25 | 1101826 | 777FA101 | 4.75 |
| | 777 | 2 1/2" | 1077064 | 77F77-20 | 20 Mesh | 12.75 | 1101098 | 77F101 | 12.25 |
| | 777 | 3" | 1077067 | 77G77-04 | 3/64" perf. | 54.25 | 1101288 | 777HA101 | 5.00 |
| | 777 | 4" | 1077426 | F78JA77-12 | 1/8" perf. | 361.00 | 1101534 | 777JA101 | 18.25 |
| | Series LF777S-M1 (1/4" - 3") | | | | | | | | |
| LEAD FREE | 777S-M1 | 1/4", 3/8", 1/2" | 1077602 | 777AB77-20 | 20 Mesh | \$6.75 | 1101092 | 77A101 | \$3.50 |
| | 777S-M1 | 3/4" | 1077603 | 777BA77-20 | 20 Mesh | 11.50 | 1101326 | 77BA101 | 3.75 |
| | 777S-M1 | 1" | 1077653 | 777CA77-20 | 20 Mesh | 11.50 | 1101327 | 77CA101 | 4.50 |
| | 777S-M1 | 1 1/4" | 1077654 | 777DA77-20 | 20 Mesh | 11.50 | 1101327 | 77CA101 | 4.50 |
| | 777S-M1 | 1 1/2" | 1077655 | 777EA77-20 | 20 Mesh | 11.50 | 1101328 | 77EA101 | 5.75 |
| | 777S-M1 | 2" | 1077485 | 777FB77-20 | 20 Mesh | 13.25 | 1101097 | 77E101 | 8.50 |
| | 777S-M1 | 2 1/2" | 1077064 | 77F77-20 | 20 Mesh | 12.75 | 1101098 | 77F101 | 12.25 |
| | 777S-M1 | 3" | 1077067 | 77G77-04 | 3/64" perf. | 54.25 | 1101091 | 77G101 | 17.00 |
| | Series LF777SI / LFS777SI (3/8" - 3") 20 Mesh Screen Only | | | | | | | | |
| LEAD FREE | 777SI | 3/8" | 0899118 | RK 777SI-Screen | 20 Mesh | \$12.75 | 0899109 | RK 777SI-Gasket | \$10.25 |
| | 777SI | 1/2" | 0899119 | RK 777SI-Screen | 20 Mesh | 10.25 | 0899110 | RK 777SI-Gasket | 6.50 |
| | 777SI | 3/4" | 0899120 | RK 777SI-Screen | 20 Mesh | 17.25 | 0899111 | RK 777SI-Gasket | 7.00 |
| | 777SI | 1" | 0899121 | RK 777SI-Screen | 20 Mesh | 19.75 | 0899112 | RK 777SI-Gasket | 9.00 |
| | 777SI | 1 1/4" | 0899122 | RK 777SI-Screen | 20 Mesh | 27.75 | 0899113 | RK 777SI-Gasket | 9.75 |
| | 777SI | 1 1/2" | 0899123 | RK 777SI-Screen | 20 Mesh | 31.75 | 0899114 | RK 777SI-Gasket | 15.50 |
| | 777SI | 2" | 0125083 | RK 777SI-Screen | 20 Mesh | 72.00 | 0899115 | RK 777SI-Gasket | 23.00 |
| | 777SI | 2 1/2" | 0899125 | RK 777SI-Screen | 20 Mesh | 107.50 | 0899116 | RK 777SI-Gasket | 33.00 |
| | 777SI | 3" | 0899126 | RK 777SI-Screen | 20 Mesh | 142.00 | 0899117 | RK 777SI-Gasket | 50.00 |
| | Series LF777SI-M1 (3/8" - 2") Italy Stamped on Valve | | | | | | | | |
| LEAD FREE | LF777M1 | 1/2" | 1077762 | SI 777AB77-40 | 40 Mesh | 7.00 | 1101602 | SI 777AA101 | \$3.50 |
| Series 77F-D / 77F-DI-125 (2" - 12") | | | | | | | | | |
| LEAD FREE | 77F-D | 2 | 1077596 | D77FA77-06 | 1/16" perf. | \$41.25 | 1102376 | F77FA102 | \$5.25 |
| | 77F-D | 2 1/2" | 1077379 | D77GA77-06 | 1/16" perf. | 24.25 | 1102044 | F77GA102 | 10.00 |
| | 77F-D | 3 | 1077215 | D77HA77-06 | 1/16" perf. | 60.25 | 1102099 | F77HA102 | 25.25 |
| | 77F-D | 4 | 1077469 | D77JA77-06 | 1/16" perf. | 154.50 | 1102100 | F77JA102 | 19.50 |
| | 77F-D | 5 | 1077526 | D77KK77-06 | 1/16" perf. | 144.00 | 1102218 | F77KD102 | 25.75 |
| | 77F-D | 6 | 1077470 | D77KA77-12 | 1/8" perf. | 165.00 | 1102101 | F77KA102 | 64.25 |
| | 77F-D | 8 | 1077471 | D77LA77-12 | 1/8" perf. | 744.50 | 1102103 | F77LA102 | 63.75 |
| | 77F-D | 10 | 1077334 | D77MA77-19 | 3/16" perf. | 1,340.00 | 1102111 | F77MA102 | 56.00 |
| | 77F-D | 12 | 1077345 | D77NA77-19 | 3/16" perf. | 1,097.00 | 1102219 | F77NA102 | 288.50 |
| | Series 88S (1/4" - 2") | | | | | | | | |
| LEAD FREE | 88S | 1/4"- 3/8" | 1077099 | 88YC77-06 | 1/16" perf. | \$44.00 | 1101148 | 88YA101 | \$5.00 |
| | 88S | 1/2" | 1077110 | 88AC77-06 | 1/16" perf. | 35.75 | 1101149 | 88AA101 | 10.00 |
| | 88S | 3/4" | 1077121 | 88BC77-06 | 1/16" perf. | 40.50 | 1101151 | 88BA101 | 11.75 |
| | 88S | 1" | 1077132 | 88CC77-06 | 1/16" perf. | 176.50 | 1101152 | 88CA101 | 18.25 |
| | 88S | 1 1/4" | 1077143 | 88DC77-06 | 1/16" perf. | 91.25 | 1101153 | 88DA101 | 27.50 |
| | 88S | 1 1/2" | 1077154 | 88EC77-06 | 1/16" perf. | 31.25 | 1101515 | 88FA101 | 36.75 |
| | 88S | 2" | 1077165 | 88FC77-06 | 1/16" perf. | 170.50 | 1101515 | 88FA101 | 36.75 |

*The wetted surface of this product contacted by consumable water contains less than 0.25% of lead by weight.

Series 2000

Flow Checks

Sizes 3/4" – 3"

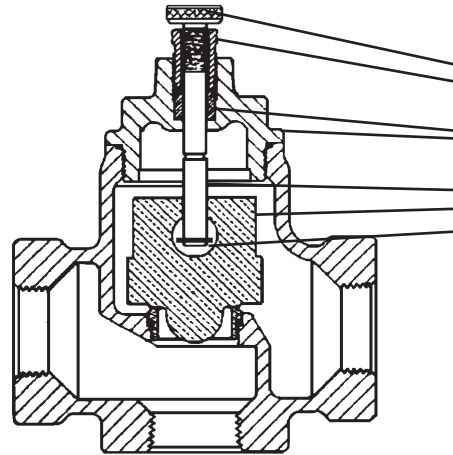
Repair Kits

When ordering specify Ordering Code, Kit No., and Valve Size.

| ORDERING CODE | KIT NO. | VALVE SERIES | SIZE (IN.) | LIST PRICE |
|---------------|-------------|--------------|------------|------------|
| 0856765 | 2000 M5-RK | All Models** | 3/4" | \$122.50 |
| 0856765 | 2000 M5-RK | All Models | 1" | 122.50 |
| 0856766 | 2000 M5-RK | All Models | 1 1/4" | 129.50 |
| 0885431 | 2000 M5-RK | All Models | 1 1/2"-2" | 330.00 |
| 0885433 | 2000 M5-RK | All Models | 2 1/2"-3" | 467.50 |
| 0856767 | 2000S M5-RK | All Models | 3/4" | 94.25 |
| 0856768 | 2000S M5-RK | All Models | 1" | 100.50 |

Kit for 2000 Series consists of Bonnet Assembly, Disc and Gasket/O-rings.

**For 2000-M3 3/4" use Ordering Code No. 0856767



Kit includes:
Bonnet Disc
Assembly and
Gasket O-Ring.

Series 142, 144

Process Boiler Water Feeders

Size 1/2"

Repair Kits

When ordering specify Ordering Code, Kit No., and Valve Size.

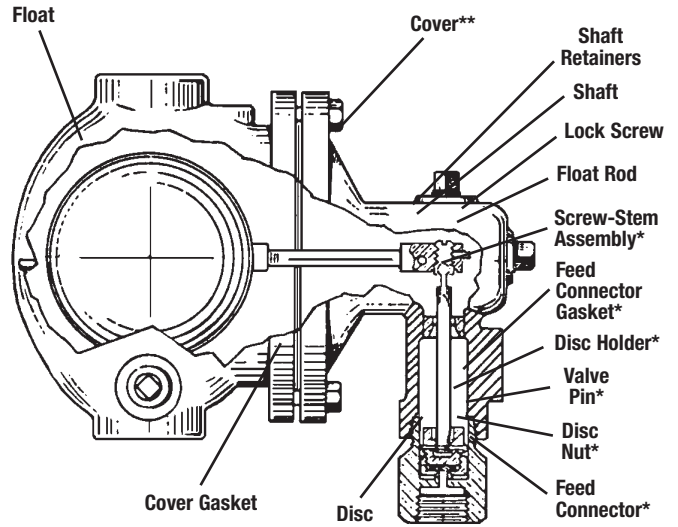
| ORDERING CODE | PART NO. | DESCRIPTION | LIST PRICE |
|---------------|----------|---------------|------------|
| 0889224 | 142FA-RK | Feed Assembly | \$161.50 |
| 0268911 | 144FA-RK | Feed Assembly | 161.50 |

Replacement Parts

| ORDERING CODE | PART NO. | DESCRIPTION | LIST PRICE |
|---------------|-------------------------|----------------------|------------|
| 0889223 | 142 Float RK | Float | \$112.00 |
| 1002089 | 142A2** | Cover** | 429.50 |
| 1011008 | 142A11 | Shaft Retainers | 6.00 |
| 1012002 | 142A12 | Shaft | 6.50 |
| 1009007 | 142A9 | Float Rod | 32.50 |
| 1049028 | SA142A49* | Screw-Stem Assembly* | 46.75 |
| 1101049 | 3 3/4" x 4 1/2" x 1/32" | Cover Gasket | 7.75 |
| 1038007 | 142A38 | Disc Holder | 49.00 |
| 1033020 | 142A33 | Disc Nut | 7.00 |
| 1037113 | 142A37 | Disc | 4.00 |
| 1003318 | 142A3 | Feed Connector | 57.50 |
| 1002092 | 144A2 | Cover | 442.50 |

**Model. 142 and 144 parts are interchangeable except for feed assembly and cover.

*Complete Feed Assembly includes ALL items marked



Series N50, N89

Low Water Cut-Offs

Size 1"

Repair Kits

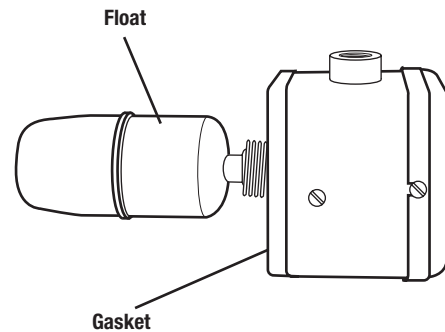
When ordering specify Ordering Code, Kit No., and Valve Size.

| ORDERING CODE | PART NO. | DESCRIPTION | SIZE (IN.) | LIST PRICE |
|---------------|---------------|-------------|------------|------------|
| 0889222 | N89 Float Kit | N89 | ALL | 68.50 |

Gasket Only

| | | | | |
|---------|---------|-----|-----|--------|
| 1101062 | 151M101 | N50 | ALL | \$8.75 |
| 1101047 | 89A101 | N89 | ALL | 15.25 |

Kits consist of Float and Gasket



Series FS10-FS20

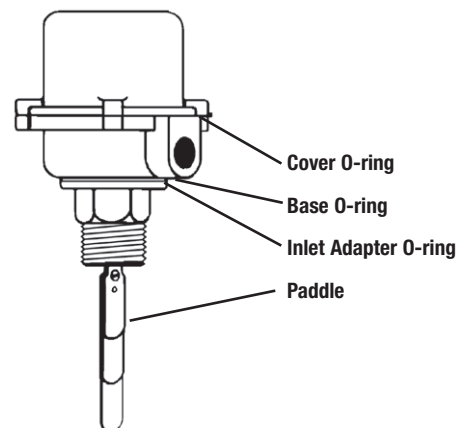
Flow Switches

Size 1"

Replacement Parts

When ordering specify Ordering Code, Kit No., and Valve Size.

| ORDERING CODE | KIT NO. | VALVE SERIES | DESCRIPTION | LIST PRICE |
|---------------|-------------|--------------|---------------------------------------|------------|
| 0863094 | FS10-3-1 RK | FS10, FS20 | 3-1 Paddle | \$29.00 |
| 0863090 | FS10-6 RK | FS10, FS20 | 6" Paddle | 21.50 |
| 0863095 | FS10-R RK | FS10 | Inlet Adapter O-ring | 8.00 |
| 0863096 | FS20-R RK | FS20 | Inlet adapter, Base and Cover O-rings | 10.25 |



Series LF1170-M2

Hot Water Temperature Control Valves

Sizes 1/2" – 1"

Repair Kits

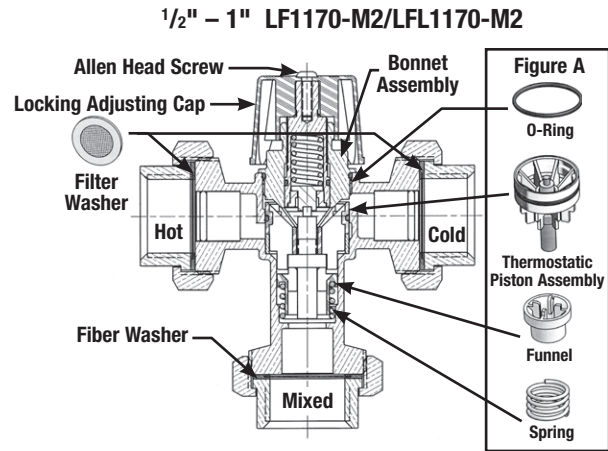
When ordering specify Ordering Code, Kit No., and Valve Size.

| ORDERING CODE | PART NO. | SIZE (IN.) | LIST PRICE |
|---------------|---------------|------------|------------|
| 0559112 | LF1170-M2 RK | 1/2"-1" | \$90.50 |
| 0559113 | LFL1170-M2 RK | 1/2"-1" | 90.50 |

Kit for LF1170-M2, LFL1170-M2 includes items at right labeled figure A

LF1170-M2, LFL1170-M2 Replacement Parts

| ADJUSTING CAP ORDERING CODE | PART NO. | LIST PRICE | ADJUSTING CAP SCREW ORDERING CODE | PART NO. | LIST PRICE |
|-----------------------------|----------|------------|-----------------------------------|----------|------------|
| 2054379 | 1170CA54 | \$15.25 | 1024591 | 1170CA24 | \$3.00 |



Replacement Parts

When ordering specify Ordering Code, Kit No., and Valve Size.

| SIZE (IN.) | SERIES | UNION NUT ORDERING CODE | PART NO. | LIST PRICE | UNION TAILPIECE ORDERING CODE | PART NO. | LIST PRICE | UNION GASKET ORDERING CODE | PART NO. | LIST PRICE |
|------------|--------------|-------------------------|----------|------------|-------------------------------|-----------------|------------|----------------------------|-----------|------------|
| 1/2" | LF1170-UT M2 | 1140152 | 35AB140 | \$4.25 | | | | 1102033 | 56CB103-1 | \$0.84 |
| 1/2" | LF1170-US M2 | | | | | | | 1102033 | 56CB103-1 | 0.84 |
| 3/4" | LF1170-UT M2 | 1140153 | 35BB140 | 9.25 | 2139052 | 135BB139 LL-ECO | 12.50 | 1103036 | 35B103-1 | 2.25 |
| 3/4" | LF1170-US M2 | | | | | | | 1103036 | 35B103-1 | 2.25 |
| 1" | LF1170-UT M2 | | | | | | | 1203003 | 35C103 | 4.25 |
| 1" | LF1170-US M2 | | | | | | | 1203003 | 35C103 | 4.25 |

Series LFMMV-M1

Thermostatic Mixing Valves

Sizes 1/2" - 1"

Repair Kits

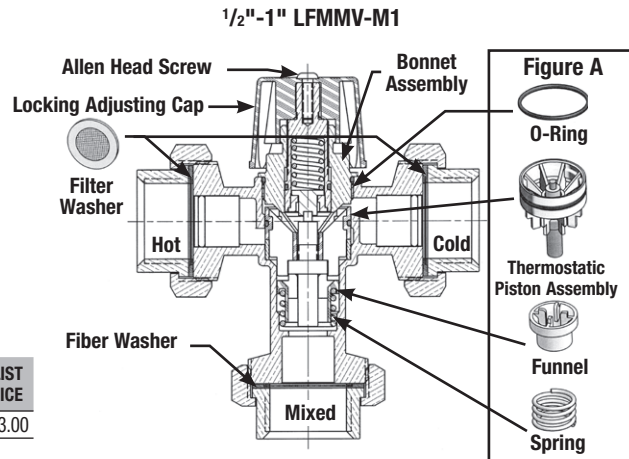
When ordering specify Ordering Code, Kit No., and Valve Size.

| SIZE | SERIES | ORDERING CODE | PART NO. | LIST PRICE |
|---------|----------|---------------|-------------|------------|
| 1/2"-1" | LFMMV-M1 | 0559123 | LFMMV-M1-RK | \$101.00 |

LEAD FREE

MMV-M1 Replacement Parts

| ADJUSTING CAP ORDERING CODE | PART NO. | LIST PRICE | ADJUSTING CAP SCREW ORDERING CODE | PART NO. | LIST PRICE |
|-----------------------------|--------------|------------|-----------------------------------|----------|------------|
| 2054380 | 1170CA54-MMV | 15.25 | 1024591 | 1170CA24 | 3.00 |



| SIZE (IN.) | SERIES | UNION NUT ORDERING CODE | PART NO. | LIST PRICE | UNION TAILPIECE ORDERING CODE | PART NO. | LIST PRICE | UNION GASKET ORDERING CODE | PART NO. | LIST PRICE |
|------------|-------------|-------------------------|----------|------------|-------------------------------|-----------------|------------|----------------------------|-----------|------------|
| 1/2" | LFMMV-UT M1 | 1140152 | 35AB140 | \$4.25 | | | | 1102033 | 56CB103-1 | \$0.84 |
| 1/2" | LFMMV-US M1 | | | | | | | 1102033 | 56CB103-1 | 0.84 |
| 3/4" | LFMMV-UT M1 | 1140153 | 35BB140 | 9.25 | 2139052 | 135BB139-LL-ECO | 12.50 | 1103036 | 35B103-1 | 2.25 |
| 3/4" | LFMMV-US M1 | | | | | | | 1103036 | 35B103-1 | 2.25 |
| 1" | LFMMV-UT M1 | | | | | | | 1203003 | 35C103 | 4.25 |
| 1" | LFMMV-US M1 | | | | | | | 1203003 | 35C103 | 4.25 |

LEAD FREE

*The wetted surface of this product contacted by consumable water contains less than 0.25% of lead by weight.

Series LF70A

Hot Water Extender Tempering Valves

Sizes 1/2" – 3/4"

Repair Kits

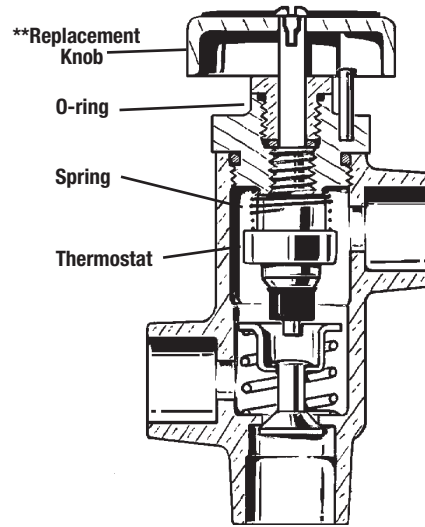
When ordering specify Ordering Code, Kit No., and Valve Size.

| | ORDERING CODE | KIT NO. | VALVE SERIES | SIZE | LIST PRICE |
|-----------|---------------|-----------|-----------------|------------|------------|
| LEAD FREE | 0125129 | LF70A-RK | LF70A, LF70AF | 1/2"- 3/4" | \$78.00 |
| | 0125130 | LFL70A-RK | LFL70A, LFL70AF | 1/2"- 3/4" | 85.00 |

Kit No. LF70A, LFL70A, includes parts shown at right

**REPLACEMENT KNOB, not included in kit.

Part No. 70A54P-CAP-1053017. List price \$1.10



⚠ WARNING

WATTS HOT WATER EXTENDER TEMPERING VALVES CANNOT BE USED FOR TEMPERING WATER TEMPERATURE AT FIXTURES. SEVERE BODILY INJURY, i.e., SCALDING OR CHILLING, AND/OR DEATH MAY RESULT DEPENDING UPON SYSTEM WATER PRESSURE CHANGES AND/OR SUPPLY WATER TEMPERATURE CHANGES. DEVICES TESTED TO ASSE STANDARD 1016 SHOULD BE USED AT FIXTURES TO PREVENT POSSIBLE INJURY.

The WATTS hot water tempering valves are designed to be installed at or near the boiler or hot water heater. They are not designed to compensate for system pressure and/or temperature fluctuations and should not be used where ASSE standard 1016 devices are required. These WATTS valves should never be used to provide "anti-scald" or "anti-chill" service.

Series N170-M2

Hot Water Extender

Tempering Valves

Sizes 3/4" – 2"

Repair Kits

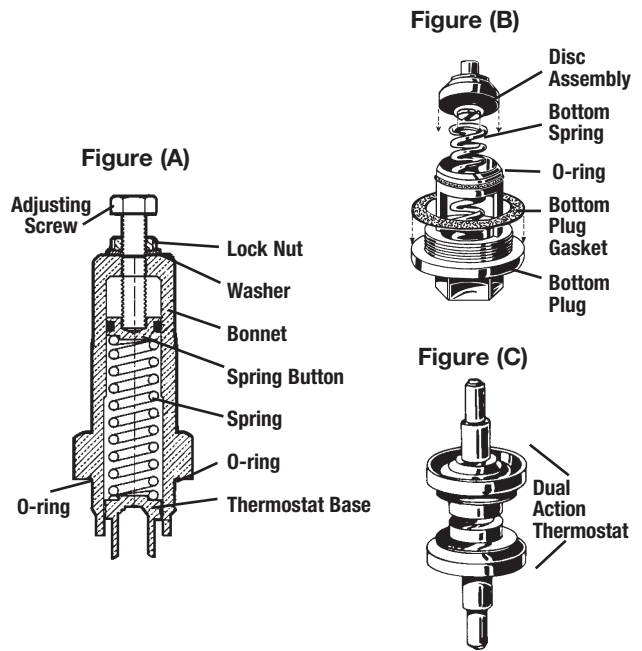
When ordering specify Ordering Code, Kit No., and Valve Size.

| ORDERING CODE | KIT NO. | VALVE SERIES | SIZE (IN.) | LIST PRICE |
|---------------|--------------|--------------|------------|------------|
| 0877075 | N170-CRK-M2 | N170-M1-M2 | 3/4"-1" | \$349.50 |
| 0877076 | N170L-CRK-M2 | N170L-M1-M2 | 3/4"-1" | 349.50 |

High Temperature Repair Kits

| | | | | |
|---------|-------------|---------|-----------|--------|
| 0877081 | RK N170M2 H | N170-M2 | 1 1/4"-2" | 382.00 |
|---------|-------------|---------|-----------|--------|

Kits includes Figures A, B, and C at right



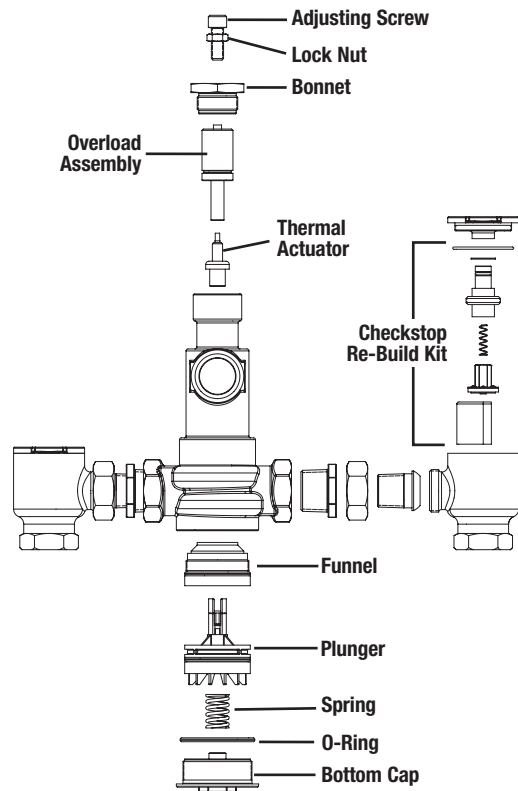
Series LFN170-M3, LFN170-M3 CSUT

Master Mixing Valves

When ordering specify Ordering Code, Kit No., and Size.

| SIZE (IN.) | KIT NO. | ORDERING CODE | PARTS INCLUDED | LIST PRICE |
|------------|-------------------------|---------------|---|------------|
| 3/4 - 1 | 3/4-1 LFN170-RK-M3 | 0887490 | Adjusting Screw, Bonnet, Thermal Actuator, Locknut, Plunger, Spring, O-Ring | \$146.50 |
| 1-1/4 - 2 | 1-1/4-2 LFN170-RK-M3 | 0125153 | Adjusting Screw, Bonnet, Thermal Actuator, Locknut, Plunger, Spring, O-Ring | 209.00 |
| 3/4 - 1 | 3/4-1 LFN170-FN-RK-M3 | 0125151 | Funnel | 334.50 |
| 1-1/4 - 2 | 1-1/4-2 LFN170-FN-RK-M3 | 0125154 | Funnel | 375.50 |
| 3/4 - 1 | 3/4-1 LFN170-ST-RK-M3 | 0125152 | Stop Replacement Kit | 170.00 |
| 1-1/4 - 2 | 1-1/4-2 LFN170-ST-RK-M3 | 0887491 | Stop Replacement Kit | 217.50 |

LEAD FREE



*The wetted surface of this product contacted by consumable water contains less than 0.25% of lead by weight.

Series 1070 & G1070

LavSafe™ Thermostatic Faucet

Size 3/8"

Repair Kits

| ORDERING CODE | KIT NO. | | | LIST PRICE |
|---------------|-----------------------|--|--|------------|
| 0899321 | Handle 4" | | | \$44.75 |
| 0899322 | Handle 6" | | | 95.25 |
| 0899323 | Cartidge | | | 240.50 |
| 0899324 | Base Plate for P1070 | | | 94.25 |
| 0899325 | Base Plate for GP1070 | | | 126.00 |
| 0899326 | Faucet Hardware | | | 27.00 |
| 0899327 | Supply Tubes | | | 126.00 |

Series 2

Washing Machine Water Shut off Valves

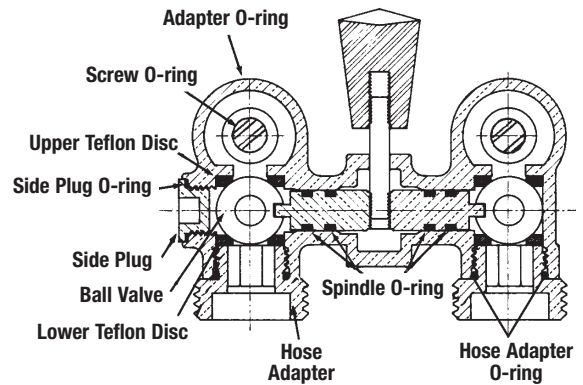
Size 1/2"

Repair Kits

When ordering specify Ordering Code, Kit No., and Valve Size.

| ORDERING CODE | KIT NO. | MODELS | SIZE (IN.) | LIST PRICE |
|---------------|---------|--------------------------|------------|------------|
| 0862000 | 2-M2-RK | 2-M1-2T-M1 2-M2-2T-M2 | 1/2" | \$29.50 |

Kit for Series 2 consists of: 1-Side Plug O-ring 4-Teflon Discs 2-Spindle O-rings
2-Adapter O-rings 2-Adapter Screw O-rings
Model identification shown on body casting.



Series A200

Trap Primers

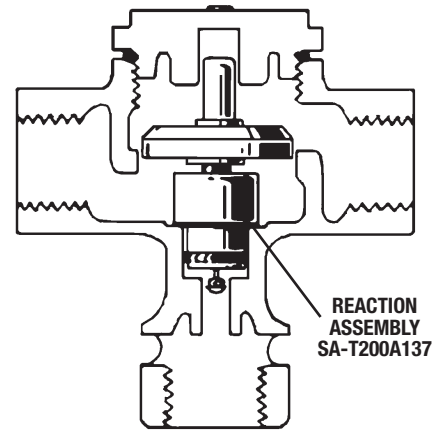
Size 1/2"

Repair Kits

When ordering specify Ordering Code, Kit No., and Valve Size.

| ORDERING CODE | KIT NO. | VALVE SERIES | SIZE (IN.) | LIST PRICE |
|---------------|---------|--------------|------------|------------|
| 0877070 | A200RK | A200 | 1/2" | \$35.75 |

Reaction Assembly consists of Disc, Trap Disc, Trap Seat and Closing Disc.



Series HB-1

Boiler Drains

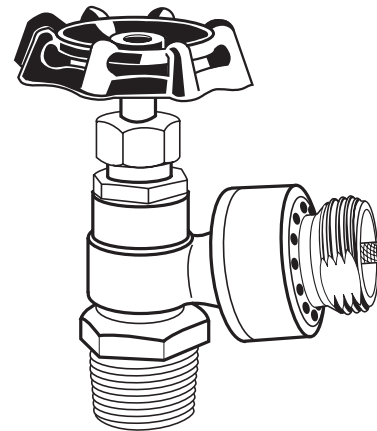
Sizes 1/2" - 3/4"

Repair kits

When ordering specify Ordering Code, Kit No., and Valve Size.

| ORDERING CODE | KIT NO. | VALVE SERIES | SIZE (IN.) | LIST PRICE |
|---------------|---------|--------------|------------|------------|
| 0035015 | HB-1 RK | HB-1 | ALL | \$32.25 |

Kit for HB-1 consists of Vacuum Breaker Body, Diaphragm Assembly and Gasket



Series FH-M1, FHV, FHB

Frost-Proof Wall Hydrants

Sizes 1/2" x 1/2", 3/4" x 1/2" and 3/4" x 3/4"

Repair Kits

When ordering specify Ordering Code, Kit No., and Valve Size.

| ORDERING CODE | KIT NO. | VALVE SERIES | SIZE (IN.) | LIST PRICE |
|---------------|----------|--------------|------------|------------|
| 0723061 | FHB-RK | FHB | ALL | \$22.25 |
| 0723064 | FHB-V-RK | FHB | ALL | 20.25 |
| 0723126 | FH-M1-RK | FH-M1 | ALL | 13.25 |

Kit FHB-RK consists of all parts shown below**

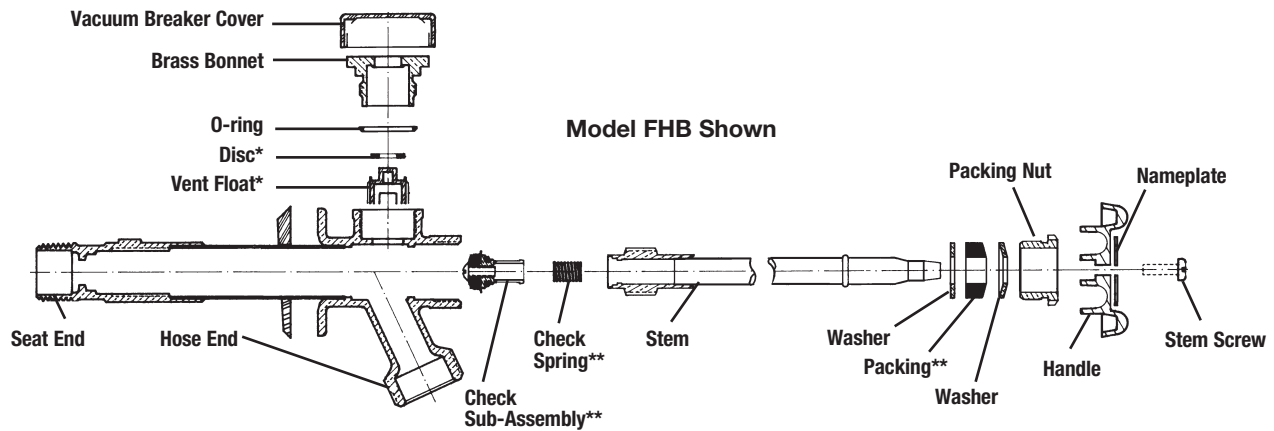
Kit FHB-V-RK consists of all parts shown below*

Kit FH-M1-RK consists of O-ring, Gland and Stem Packing, disc and disc screw

Handle Kits

| ORDERING CODE | KIT NO. | VALVE SERIES | SIZE (IN.) | LIST PRICE |
|---------------|----------|--------------|------------|------------|
| 0723063 | FHB-HK | FHB | ALL | \$14.50 |
| 0723127 | FH-M1-HK | FH-M1 | ALL | 13.25 |

Kit consists of handle and handle screw/nut



*Supplied with RK-FHB-V (1/2", 3/4")

**Supplied with RK-FHB (1/2", 3/4")

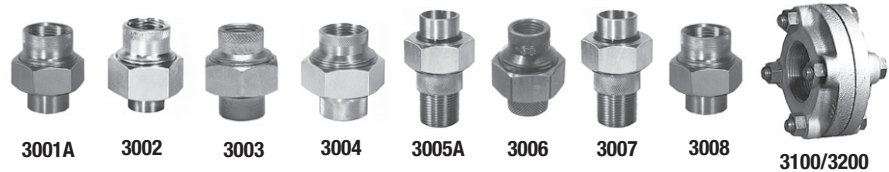
Series 3000

Dielectric Unions

Sizes 1/2" – 4"

Gasket and Insulator Kits

When ordering specify Ordering Code, Kit No., and Valve Size.



| ORDERING CODE | KIT NO. | VALVE SERIES | SIZE (IN.) | LIST PRICE |
|---------------|---------|--------------|------------|------------|
|---------------|---------|--------------|------------|------------|

Model GA Gasket Kits (2 GA Gaskets per Kit)

| | | | | |
|---------|------|------|--------|--------|
| 0881400 | GA-A | 3001 | 1/2" | \$5.00 |
| 0881400 | GA-A | 3002 | 1/2" | 5.00 |
| 0881400 | GA-A | 3005 | 1/2" | 5.00 |
| 0881400 | GA-A | 3007 | 1/2" | 5.00 |
| 0881401 | GA-B | 3001 | 3/4" | 5.00 |
| 0881401 | GA-B | 3005 | 3/4" | 5.00 |
| 0881401 | GA-B | 3003 | 1/2" | 5.00 |
| 0881401 | GA-B | 3004 | 1/2" | 5.00 |
| 0881401 | GA-B | 3006 | 1/2" | 5.00 |
| 0881401 | GA-B | 3007 | 3/4" | 5.00 |
| 0881401 | GA-B | 3008 | 1/2" | 5.00 |
| 0881402 | GA-C | 3001 | 1" | 5.50 |
| 0881402 | GA-C | 3002 | 1" | 5.50 |
| 0881403 | GA-D | 3001 | 1 1/4" | 6.75 |
| 0881404 | GA-E | 3001 | 1 1/2" | 7.00 |
| 0881405 | GA-F | 3001 | 2" | 9.25 |
| 0881406 | GA-G | 3002 | 3/4" | 5.00 |
| 0881407 | GA-H | 3003 | 3/4" | 5.50 |
| 0881407 | GA-H | 3004 | 3/4" | 5.50 |
| 0881407 | GA-H | 3006 | 3/4" | 5.50 |
| 0881401 | GA-B | 3008 | 3/4" | 5.00 |
| 0881408 | GA-J | 3003 | 1" | 5.50 |
| 0881408 | GA-J | 3004 | 1" | 5.50 |
| 0881408 | GA-J | 3006 | 1" | 5.50 |
| 0881408 | GA-J | 3008 | 1" | 5.50 |
| 0881409 | GA-K | 3003 | 1 1/4" | 7.50 |
| 0881409 | GA-K | 3004 | 1 1/4" | 7.50 |
| 0881409 | GA-K | 3006 | 1 1/4" | 7.50 |
| 0881410 | GA-L | 3003 | 1 1/2" | 10.25 |
| 0881410 | GA-L | 3004 | 1 1/2" | 10.25 |
| 0881410 | GA-L | 3006 | 1 1/2" | 10.25 |
| 0881411 | GA-M | 3003 | 2" | 13.00 |
| 0881411 | GA-M | 3004 | 2" | 13.00 |
| 0881411 | GA-M | 3006 | 2" | 13.00 |
| 0889130 | GA-N | 3100 | 2" | 27.25 |
| 0889130 | GA-N | 3200 | 2" | 27.25 |
| 0881414 | GA-P | 3100 | 2 1/2" | 29.00 |
| 0881414 | GA-P | 3200 | 2 1/2" | 29.00 |
| 0881415 | GA-Q | 3100 | 3" | 33.25 |
| 0881415 | GA-Q | 3200 | 3" | 33.25 |
| 0881416 | GA-R | 3100 | 4" | 29.00 |
| 0881416 | GA-R | 3200 | 4" | 29.00 |

GA Gasket - Standard

For use with water, air, oil, natural gas, propane, gasoline, kerosene, mineral oil, vegetable oil, alkalines.

| ORDERING CODE | KIT NO. | VALVE SERIES | SIZE (IN.) | LIST PRICE |
|---------------|---------|--------------|------------|------------|
|---------------|---------|--------------|------------|------------|

Model GB Gasket Kits (2 GB Gaskets per Kit)

| | | | | |
|---------|------|------|--------|--------|
| 0881425 | GB-A | 3001 | 1/2" | \$9.75 |
| 0881425 | GB-A | 3002 | 1/2" | 9.75 |
| 0881425 | GB-A | 3005 | 1/2" | 9.75 |
| 0881425 | GB-A | 3007 | 1/2" | 9.75 |
| 0881426 | GB-B | 3001 | 3/4" | 10.75 |
| 0881426 | GB-B | 3005 | 3/4" | 10.75 |
| 0881426 | GB-B | 3003 | 1/2" | 10.75 |
| 0881426 | GB-B | 3004 | 1/2" | 10.75 |
| 0881426 | GB-B | 3006 | 1/2" | 10.75 |
| 0881426 | GB-B | 3007 | 3/4" | 10.75 |
| 0881426 | GB-B | 3008 | 1/2" | 10.75 |
| 0881427 | GB-C | 3001 | 1" | 13.00 |
| 0881427 | GB-C | 3002 | 1" | 13.00 |
| 0881428 | GB-D | 3001 | 1 1/4" | 17.25 |
| 0881429 | GB-E | 3001 | 1 1/2" | 21.00 |
| 0881430 | GB-F | 3001 | 2" | 33.00 |
| 0881431 | GB-G | 3002 | 3/4" | 10.75 |
| 0881432 | GB-H | 3003 | 3/4" | 10.75 |
| 0881432 | GB-H | 3004 | 3/4" | 10.75 |
| 0881432 | GB-H | 3006 | 3/4" | 10.75 |
| 0881432 | GB-H | 3008 | 3/4" | 10.75 |
| 0881433 | GB-J | 3003 | 1" | 13.00 |
| 0881433 | GB-J | 3004 | 1" | 13.00 |
| 0881433 | GB-J | 3006 | 1" | 13.00 |
| 0881433 | GB-J | 3008 | 1" | 13.00 |
| 0881434 | GB-K | 3003 | 1 1/4" | 17.25 |
| 0881434 | GB-K | 3004 | 1 1/4" | 17.25 |
| 0881434 | GB-K | 3006 | 1 1/4" | 17.25 |
| 0881435 | GB-L | 3003 | 1 1/2" | 21.00 |
| 0881435 | GB-L | 3004 | 1 1/2" | 21.00 |
| 0881435 | GB-L | 3006 | 1 1/2" | 21.00 |
| 0881436 | GB-M | 3003 | 2" | 33.00 |
| 0881436 | GB-M | 3004 | 2" | 33.00 |
| 0881436 | GB-M | 3006 | 2" | 33.00 |
| 0881437 | GB-N | 3100 | 2" | 31.50 |
| 0881437 | GB-N | 3200 | 2" | 31.50 |
| 0881439 | GB-P | 3100 | 2 1/2" | 36.75 |
| 0881439 | GB-P | 3200 | 2 1/2" | 36.75 |
| 0881442 | GB-Q | 3100 | 3" | 38.75 |
| 0881442 | GB-Q | 3200 | 3" | 38.75 |
| 0881441 | GB-R | 3100 | 4" | 60.50 |
| 0881441 | GB-R | 3200 | 4" | 60.50 |

GB Gasket - Optional

For use with steam to 300°F.

| ORDERING CODE | KIT NO. | VALVE SERIES | SIZE (IN.) | LIST PRICE |
|---------------|---------|--------------|------------|------------|
|---------------|---------|--------------|------------|------------|

Insulator Kits (2 Insulators per Kit)

| | | | | |
|---------|-------|------|--------|--------|
| 0881450 | INK-A | 3001 | 1/2" | \$5.00 |
| 0881450 | INK-A | 3002 | 1/2" | 5.00 |
| 0881450 | INK-A | 3002 | 3/4" | 5.00 |
| 0881450 | INK-A | 3005 | 1/2" | 5.00 |
| 0881450 | INK-A | 3007 | 1/2" | 5.00 |
| 0881451 | INK-B | 3001 | 3/4" | 5.00 |
| 0881451 | INK-B | 3005 | 3/4" | 5.00 |
| 0881451 | INK-B | 3003 | 1/2" | 5.00 |
| 0881451 | INK-B | 3004 | 1/2" | 5.00 |
| 0881451 | INK-B | 3006 | 1/2" | 5.00 |
| 0881451 | INK-B | 3007 | 3/4" | 5.00 |
| 0881451 | INK-B | 3008 | 1/2" | 5.00 |
| 0881452 | INK-C | 3001 | 1" | 5.50 |
| 0881452 | INK-C | 3002 | 1" | 5.50 |
| 0881452 | INK-C | 3003 | 3/4" | 5.50 |
| 0881452 | INK-C | 3004 | 3/4" | 5.50 |
| 0881452 | INK-C | 3006 | 3/4" | 5.50 |
| 0881452 | INK-C | 3008 | 3/4" | 5.50 |
| 0881453 | INK-D | 3003 | 1" | 5.50 |
| 0881453 | INK-D | 3004 | 1" | 5.50 |
| 0881453 | INK-D | 3001 | 1 1/4" | 5.50 |
| 0881453 | INK-D | 3008 | 1" | 5.50 |
| 0881454 | INK-E | 3001 | 1 1/2" | 6.50 |
| 0881455 | INK-F | 3003 | 1 1/2" | 7.50 |
| 0881455 | INK-F | 3004 | 1 1/2" | 7.50 |
| 0881455 | INK-F | 3006 | 1 1/2" | 7.50 |
| 0881455 | INK-F | 3001 | 2" | 7.50 |
| 0881456 | INK-G | 3003 | 1 1/4" | 6.50 |
| 0881456 | INK-G | 3004 | 1 1/4" | 6.50 |
| 0881456 | INK-G | 3006 | 1 1/4" | 6.50 |
| 0881457 | INK-H | 3003 | 2" | 7.50 |
| 0881457 | INK-H | 3004 | 2" | 7.50 |
| 0881457 | INK-H | 3006 | 2" | 7.50 |

Flanged Dielectric (8 Insulators per Kit)

| | | | | |
|---------|-------|------|--------|---------|
| 0889170 | INK-J | 3100 | 2" | \$34.25 |
| 0889170 | INK-J | 3100 | 2 1/2" | 34.25 |
| 0889170 | INK-J | 3100 | 3" | 34.25 |
| 0889170 | INK-J | 3100 | 4" | 34.25 |
| 0889170 | INK-J | 3200 | 2" | 34.25 |
| 0889170 | INK-J | 3200 | 2 1/2" | 34.25 |
| 0889170 | INK-J | 3200 | 3" | 34.25 |
| 0889170 | INK-J | 3200 | 4" | 34.25 |

Series G, GH, MGH, MG, HG and T Thermostatic Trap Parts

| PART DESCRIPTION | WHERE USED | LETTER OR NO. STAMPED ON SEAT | ORDERING CODE | REFERENCE NUMBER | DRAWING NUMBER | UPC | QTY. PER MASTER CARTON | MASTER CARTON WGT./LBS. | LIST PRICE EACH |
|------------------|----------------------------|-------------------------------|---------------|------------------|----------------|--------------|------------------------|-------------------------|-----------------|
| Diaphragm Cover | 1G, 3GH | | 0036848 | 858118 | 6P-119 | 098268399028 | 6 | 2.3 | \$109.00 |
| | 2G, 3G | | 0036849 | 858126 | 6P-177 | 098268399035 | 3 | 2.0 | 323.00 |
| | 4G, 4MG, 5G, 5MG | | 0036850 | 858134 | 6P-203 | 098268399042 | 6 | 0.6 | 348.00 |
| | 1MG, 3MGH | | 0036851 | 858142 | 6P-227 | 098268399059 | 6 | 2.4 | 118.50 |
| | 2MG, 3MG, 5MGH | | 0036852 | 858159 | 6P-244 | 098268399066 | 3 | 2.1 | 277.00 |
| Cover Gasket | 1G Series All models | | 2802021 | — | — | 098268521832 | 6 | 0.5 | 11.50 |
| | 3G Series All models | | 2802021 | — | — | 098268521832 | 6 | 0.5 | 11.50 |
| | 5G Series All models | | 2802024 | — | — | — | 1 | 0.2 | 21.75 |
| Diaphragm | 1G, 3GH | | 0036853 | 858167 | 6SA-125 | 098268399073 | 12 | 1.2 | 153.00 |
| | 2G, 3G | | 0036854 | 858175 | 6SA-180 | 098268399080 | 24 | 5.2 | 235.00 |
| | 4G, 4MG, 5G, 5MG | | 0036855 | 858183 | 6SA-263 | 098268399097 | 24 | 7.4 | 501.50 |
| | 1MG, OHG, 3MGH | | 0036856 | 858191 | 6SA-228 | 098268399103 | 12 | 1.2 | 205.50 |
| | 2MG, 3MG, 2HG, (H-3), 5MGH | | 0036857 | 858209 | 6SA-245 | 098268399110 | 24 | 4.8 | 225.50 |
| | No. 1T and 2T | | 0036858 | 858217 | 6SA-304 | 098268399127 | 24 | 4.8 | 182.50 |
| Diaphragm Seat | 1G, 1MG, 3GH, 3MGH | | 0036859 | 858225 | 6P-124 | 098268399134 | 12 | 1.3 | 31.50 |
| | 2G, 2MG | | 0036860 | 858233 | 6P-10002 | 098268399141 | 6 | 0.6 | 59.75 |
| | 3G, 3MG, 5MGH | | 0036861 | 858241 | 6P-179 | 098268399158 | 6 | 0.9 | 59.75 |
| | 4G, 4MG, 5G, 5MG | | 0036862 | 858258 | 6P-206 | 098268399165 | 6 | 0.8 | 148.00 |

Tailpieces and Union Nuts

| | | | | | | | | | |
|------------------------|---|--|---------|--------|--------|--------------|---|-----|---------|
| Tail Piece Male Thread | 1G, 1MG Series 65A 1/2" Series 4000/6000 1/2" | | 0036863 | 858274 | 6P-120 | 098268399172 | 6 | 1.2 | \$52.50 |
| | 2G, 2MG, 1T, 2T | | 0036864 | 858282 | 6P-308 | 098268399189 | 6 | 1.8 | 142.50 |
| | 3G, 3MG, 3GH, 3MGH, 1VG, 1VMG Series 65 1/2" & 3/4" Series 4000/6000 3/4" | | 0036865 | 858308 | 6P-741 | 098268399196 | 6 | 0.6 | 79.25 |
| | 5G, 5MG, 5MGH Series 65 1" Series 4000/6000 1" | | 0036866 | 858316 | 6P-204 | 098268399202 | 6 | 1.8 | 236.00 |
| Union Nuts | 1G, 1MG Series 65A 1/2" Series 4000/6000 1/2" | | 0036867 | 858340 | 6P-121 | 098268399219 | 6 | 1.2 | 47.75 |
| | 2G, 2MG, 1T, 2T | | 0036868 | 858357 | 6P-309 | 098268399226 | 6 | 3.1 | 153.50 |
| | 3G, 3MG, 3GH, 3MGH, 3T, 3GT, 1VGDU (Outlet Only) Series 65 1/2" & 3/4" Series 4000/6000 3/4" | | 0036869 | 858365 | 6P-123 | 098268399233 | 6 | 1.2 | 62.25 |
| | 5G, 5MG, 5MGH Series 65 1" Series 4000/6000 1" | | 0036870 | 858373 | 6P-205 | 098268399240 | 6 | 2.4 | 107.50 |

Series G, GF, MG & MGF Float & Thermostatic Trap Parts

| PART DESCRIPTION | WHERE USED | LETTER OR NO. STAMPED ON SEAT | ORDERING CODE | REFERENCE NUMBER | DRAWING NUMBER | UPC | QTY. PER MASTER CARTON | MASTER CARTON WGT./LBS. | LIST PRICE EACH |
|----------------------|---------------------------|-------------------------------|---------------|------------------|----------------|--------------|------------------------|-------------------------|-----------------|
| Diaphragm Cover "G" | All Sizes Series G | | 0036848 | 858118 | 6P-119 | 098268399028 | 6 | 2.3 | \$109.00 |
| Diaphragm Cover "MG" | All Sizes Series MG | | 0036851 | 858142 | 6P-227 | 098268399059 | 6 | 2.4 | 118.50 |
| Diaphragm Cover "GF" | All Sizes Series GF & MGF | | 0036881 | 859017 | 6P-602 | 098268400526 | 6 | 4.2 | 369.50 |
| Diaphragm Series G | All Sizes Series G | | 0036853 | 858167 | 6AS-125 | 098268399073 | 12 | 1.2 | 153.00 |
| Diaphragm Series MG | All Sizes Series MG | | 0036856 | 858191 | 6AS-228 | 098268399103 | 12 | 1.2 | 205.50 |
| Diaphragm Seat | All Sizes Series G & MG | | 0036859 | 858225 | 6P-124 | 098268399134 | 12 | 1.3 | 31.50 |
| Diaphragm Plug | All Sizes Series GF & MGF | | 0036882 | 859025 | 6P-603 | 098268400533 | 12 | 1.2 | 115.50 |
| Cover Gaskets | #6-3/4" | | 0036883 | 859066 | 6P-14474 | 098268400540 | 12 | 0.7 | 23.25 |
| | #7-1" | | 0036884 | 859074 | 6P-438 | 098268400557 | 12 | 0.5 | 29.50 |
| | #8-1 1/4" | | 0036884 | 859074 | 6P-438 | 098268400557 | 12 | 0.5 | 29.50 |
| | #91-1 1/2" | | 0036885 | 859082 | 6P-470 | 098268400564 | 12 | 7.2 | 52.50 |
| | #9-1 1/2" | | 0036886 | 859090 | 6P-490 | 098268400571 | 12 | 0.6 | 69.50 |
| | #101-2" | | 0036886 | 859090 | 6P-490 | 098268400571 | 12 | 0.6 | 69.50 |
| | #10-2" | | 0036887 | 859108 | 6P-518 | 098268400588 | 12 | 1.2 | 83.75 |
| Float Assembly | #111-2" | | 0036887 | 859108 | 6P-518 | 098268400588 | 12 | 1.2 | 83.75 |
| | #6-3/4" | | 0036888 | 859355 | 6SA-409 | 098268400595 | 24 | 7.2 | 311.00 |
| | #7-1" | | 0036889 | 859363 | 6SA-457 | 098268400601 | 24 | 12.0 | 449.00 |
| | #8-1 1/4" | | 0036889 | 859363 | 6SA-457 | 098268400601 | 24 | 12.0 | 449.00 |
| | #91-1 1/2" | | 0036890 | 859371 | 6SA-466 | 098268400618 | 6 | 1.8 | 1,413.00 |
| | #9-1 1/2" | | 0036891 | 859389 | 6SA-479 | 098268400625 | 4 | 16.0 | 2,074.00 |
| | #101-2" | | 0036891 | 859389 | 6SA-479 | 098268400625 | 4 | 16.0 | 2,074.00 |
| Float Assembly | #10-2" | | 0036892 | 859397 | 6SA-509 | 098268400632 | 1 | 5.0 | 2,953.00 |
| | #111-2" | | 0036892 | 859397 | 6SA-509 | 098268400632 | 1 | 5.0 | 2,953.00 |

F & T Internal Rebuild Kits*

Series & Maximum Pressure

| | | | | | | | | | |
|---------------------|-------------|--|---------|--------|---------|--------------|---|------|----------|
| Series G 15 PSIG | #6G-3/4" | | 0036909 | 859629 | 6A-2641 | 098268400809 | 4 | 3.3 | 564.00 |
| | #7G-1" | | 0036910 | 859637 | 6A-2645 | 098268400816 | 4 | 5.4 | 848.00 |
| | #8G-1 1/4" | | 0036911 | 859645 | 6A-2651 | 098268400823 | 6 | 8.4 | 871.00 |
| | #91G-1 1/2" | | 0036912 | 859652 | 6A-2657 | 098268400830 | 6 | 21.6 | 1,949.00 |
| | #101G-2" | | 0036913 | 859660 | 6A-2663 | 098268400847 | 1 | 6.1 | 2,629.00 |
| | #111G-2" | | 0036914 | 859678 | 6A-2669 | 098268400854 | 1 | 8.0 | 4,251.00 |
| | #9-1 1/2" | | 0036915 | 859686 | 6A-2675 | 098268400861 | 1 | 6.2 | 2,812.00 |
| | #10-2" | | 0036916 | 859694 | 6A-2681 | 098268400892 | 1 | 6.4 | 4,048.00 |

*If Rebuild Kits are required for 30 or 50 psig, contact factory for EDP number.

Series 30 High Pressure Trap Parts

| PART DESCRIPTION | WHERE USED | LETTER OR NO. STAMPED ON SEAT | ORDERING CODE | REFERENCE NUMBER | DRAWING NUMBER | UPC | QTY. PER MASTER CARTON | MASTER CARTON WGT./LBS. | LIST PRICE EACH |
|------------------|---------------|-------------------------------|---------------|------------------|----------------|--------------|------------------------|-------------------------|-----------------|
| Cover Gasket | All Sizes #30 | | 0036973 | 859702 | 6P-823 | 098268399943 | 12 | 3.6 | \$45.25 |
| Air Vent | All Sizes #30 | | 0036974 | 859728 | 6SA-810 | 098268399950 | 6 | 1.5 | 270.00 |
| Float Assembly | All Sizes #30 | | 0036889 | 859363 | 6SA-457 | 098268400601 | 24 | 12 | 449.00 |
| Rebuild Kit* | All Sizes #30 | | 0036975 | N/A | N/A | 098268399967 | 4 | 5.2 | 925.50 |

*Must order appropriate Valve Seat and Gasket Kit separately.

Series 30 Steam Trap Valve Seat & Gasket Kits

Maximum Pressure Differential

| | | | | | | | | | |
|---------|---|--|---------|--------|---------|--------------|---|-----|--------|
| 30 PSI | C | | 0036901 | 859504 | 6P-1035 | 098268400724 | 6 | 0.7 | 109.50 |
| 125 PSI | E | | 0036905 | 859561 | 6P-1037 | 098268400762 | 6 | 0.6 | 109.50 |

*Drawing number & reference number are for Seat only.



Valve Seat and Gasket Kit Ordering Codes for Series G, GF, MG and MGF F & T Traps

| SERIES & MAXIMUM PRESSURE | TRAP NUMBER | LETTER OR NO. STAMPED ON SEAT | ORDERING CODE | REFERENCE NUMBER* | DRAWING NUMBER* | UPC | QTY. PER MASTER CARTON | MASTER CARTON WGT./LBS. | LIST PRICE EACH |
|---------------------------|-------------|-------------------------------|---------------|-------------------|-----------------|--------------|------------------------|-------------------------|-----------------|
| Series G-GF 15 PSIG | #6-3/4" | P | 0036893 | 859405 | 6P-406 | 098268400663 | 6 | 0.6 | \$83.75 |
| | #7-1" | K | 0036894 | 859413 | 6P-436 | 098268400649 | 6 | 1.2 | 107.50 |
| | #8-1 1/4" | A | 0036895 | 859421 | 6P-456 | 098268400656 | 6 | 0.6 | 107.50 |
| | #91-1 1/2" | 91-15 | 0036896 | 859439 | 6P-193 | 098268400670 | 6 | 0.6 | 151.50 |
| | #101-2" | 101-15 | 0036897 | 859447 | 6P-498 | 098268400687 | 6 | 1.2 | 184.00 |
| | #111-2" | 111-15 | 0036898 | 859454 | 6P-596 | 098268400694 | 6 | 1.2 | 388.50 |
| Series MG-MGF 30 PSIG | #6-3/4" | S | 0036899 | 859488 | 6P-553 | 098268400700 | 6 | 0.6 | 80.50 |
| | #8-1 1/4" | C | 0036901 | 859504 | 6P-1035 | 098268400724 | 6 | 0.7 | 109.50 |
| | #91-1 1/2" | 91-30 | 0036902 | 859512 | 6P-194 | 098268926057 | 6 | 0.6 | 141.50 |
| | #101-2" | 101-30 | 0036903 | 859520 | 6P-499 | 098268400748 | 6 | 1.2 | 188.50 |
| | #111-2" | 111-30 | 0036904 | 859538 | 6P-597 | 098268926064 | 6 | 0.2 | 395.00 |
| Series MG-MGF 50 PSIG | #6-3/4" | S | 0036899 | 859488 | 6P-553 | 098268400700 | 6 | 0.6 | 80.50 |
| | #7-1" | E | 0036905 | 859561 | 6P-1037 | 098268400762 | 6 | 0.6 | 109.50 |
| | #91-1 1/2" | 91-50 | 0036906 | 859579 | 6P-195 | 098268400779 | 6 | 0.6 | 139.00 |
| | #101-2" | 101-50 | 0036907 | 859587 | 6P-500 | 098268400786 | 6 | 1.2 | 184.00 |
| | #111-2" | 111-50 | 0036908 | 859595 | 6P-598 | 098268400793 | 6 | 1.8 | 388.50 |

*Reference and drawing number match-up with Valve Seat, not Seat Gasket.

Series 65 Radiator/Supply Valve Parts

| PART DESCRIPTION | WHERE USED | LETTER OR NO. STAMPED ON SEAT | ORDERING CODE | REFERENCE NUMBER | DRAWING NUMBER | UPC | QTY. PER MASTER CARTON | MASTER CARTON WGT./LBS. | LIST PRICE EACH |
|--------------------------|------------------|-------------------------------|---------------|------------------|----------------|--------------|------------------------|-------------------------|-----------------|
| Handle & Retaining Screw | All Sizes | | 0036801 | 857110 | 6P-711** | 098268398601 | 6 | 1.2 | \$39.25 |
| Valve Packing Kit | All Sizes | | 0036808 | 857151 | 6A-643 | 098268398670 | 6 | 1.0 | 47.75 |
| Disc & Retaining Screw | 3/4" Series 65 | | 0036803 | 857177 | 6P-722** | 098268398625 | 6 | 0.6 | 53.75 |
| Disc & Retaining Screw | 1" Series 65 | | 0036804 | 857185 | 6P-762** | 098268398632 | 6 | 0.6 | 57.25 |
| Disc & Locknut | 1 1/4" Series 65 | | 0036805 | 857193 | 6P-784** | 098268241051 | 6 | 0.6 | 45.25 |
| Disc & Locknut | 1 1/2" Series 65 | | 0036806 | 857201 | 6P-798** | 098268398656 | 6 | 0.6 | 69.50 |
| Interior Assembly | 1/2" Series 65A | | 0036809 | 857268 | 6A-3756 | 098268398687 | 12 | 8.4 | 313.50 |
| Interior Assembly | 3/4" Series 65 | | 0036810 | 857276 | 6A-3762 | 098268398694 | 24 | 19.2 | 338.50 |

**Reference number and drawing number match up handle/disc only, not retaining screw or locknut.

Notes

Notes

