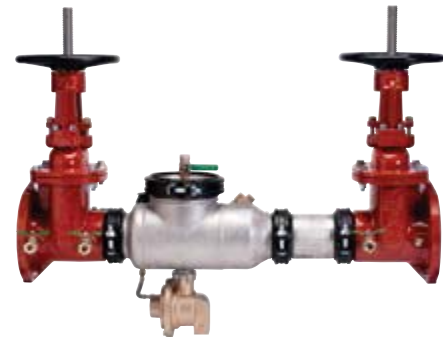


Zurn Wilkins Water Control & Water Safety

ZW1018 Customer Guide



ZURN.COM US 1.855.ONE.ZURN CANADA 1.877.892.5216

Effective October 1, 2018
Replaces All Previous Price Lists

INTRODUCTION

GENERAL TERMS AND CONDITIONS	2
LEAD FREE	3
TABLE OF CONTENTS BY PRODUCT CATEGORIES	4

GENERAL TERMS AND CONDITIONS

PRICE AND TERMS OF PAYMENT

Terms are net, payable 30 days from date of invoice. All pricing in U.S. currency. The Buyer shall pay all sales, consumers, or other applicable taxes. A 1-1/2% monthly (18% annual) service charge will be added to the outstanding balance of all past due invoices.

Minimum invoice \$250.00. Zurn Industries, LLC ("Zurn") reserves the right to apply a minimum order charge in order to meet the \$250.00 minimum invoice requirement. All orders are subject to credit approval by the Zurn Credit Department prior to the acceptance of an order. Orders may be refused, delivery may be withheld, or shipment stopped in transit without any liability on Zurn's part at Zurn's sole discretion based upon Buyer's credit worthiness as determined by Zurn.

FREIGHT

All sales are F.O.B. seller's location. Zurn will allow full freight allowance when any of the following conditions are met: 1) Plumbing fixture only orders totaling \$10,000 or more; 2) Zurn One System orders of \$7,500 or more; 3) Any combination of Specification Drainage, Commercial Drainage, Finish Plumbing, Zurn Wilkins, Linear Drainage and Chemical Drainage orders of \$5,000 or more; 4) Commercial Drainage only orders totaling \$3,500 or more; or 5) PEX only orders totaling \$3,000 or more. This full freight allowance applies when the shipment is within the continental United States and has a single destination of a Buyer's standard address or job location. Routing of shipment shall be determined at the sole direction of Zurn. Shipping dates are estimates and time of delivery shall not be of the essence of this sale contract. Under no circumstances will the Seller have any responsibility on account of any delays in manufacture, transportation, or otherwise. Terms of Export Shipment on application.

NOTE: Shipments in excess of 90" long or 3,000 lbs may be subject to additional charges, and shall be defined as an oversized and/or overweight product and Zurn's standard FFA terms may not apply. Please contact our Customer Service Department for guidance on potential additional shipping charges. This new policy supersedes any existing agreements.

These charges and restrictions apply in addition to Zurn standard terms and conditions for sale unless otherwise agreed upon by the parties.

LIMITED WARRANTY

Zurn goods sold hereunder are warranted to be free from defects in material and factory workmanship for the period of time from the date of purchase: AquaVantage® Flush Valves, AquaFlush® Flush Valves, Commercial Fixtures, Faucets, Showers, and Tubular Brass: three years; Chemical Drainage, Linear Drainage, Commercial Drainage, Specification Drainage, Zurn Wilkins, and Flush Valve, Faucets, and Tubular Brass decorative finishes: one year; PHIX® Cartridge: ten years; FOG-ceptor®: thirty years. Where permitted by law, **THE IMPLIED WARRANTY OF MERCHANTABILITY IS LIMITED TO THE ABOVE IDENTIFIED PERIOD OF TIME AND SHALL BE LIMITED SOLELY TO THE REPLACEMENT OF THE DEFECTIVE GOODS.** A damaged/broken test cock or ball valve is not considered defective. Please contact Zurn Customer Care for assistance.

Zurn will replace goods at no cost that prove defective provided Zurn is notified in writing of such defect and the goods are returned prepaid at the specified Zurn location with evidence that they have been properly maintained and used in accordance with instructions. **ZURN SHALL NOT BE RESPONSIBLE FOR ANY LABOR CHARGES OR ANY LOSS, INJURY, OR DAMAGES WHATSOEVER, INCLUDING, BUT NOT LIMITED TO, INCIDENTAL OR CONSEQUENTIAL DAMAGES.** The sole and exclusive remedy shall be limited to the replacement of the defective goods. Before installation and use, the purchaser shall determine the suitability of the product for his intended use and the purchaser assumes all risk and liability whatever in the connection therewith. All weights stated in Zurn catalogs and lists are approximate and are not guaranteed.

RETURNED GOODS

Standard cataloged material may be returned only with written permission of Zurn. Returned goods are subject to a 25% restocking charge of total

saleable material returned, plus cost of reconditioning, if necessary, to make material sellable. Transportation charges are the responsibility of the Buyer. Credit allowance will be in the form of merchandise credit only – not cash credit. The value of the return must total at least \$100.00 to qualify for credit allowance. No credit will be allowed for parts unless originally ordered and invoiced as parts. No credit will be allowed for discontinued or made-to-order items. Items that have been specially made are not subject to return or cancellation except by special negotiation. Material must be returned within one year of invoice date for credit to be issued for Chemical Drainage, Linear Drainage, and Commercial Drainage. Material must be returned within two years of invoice date for credit to be issued for Commercial Fixtures, Flush Valve Products, Specification Drainage, Tubular Brass, and Zurn Wilkins. No credit is allowed for Linear Drainage products that have been cut and Specification Drainage product with auxiliary tapings. Flush Valve material over two years old will be subject to a 50% handling charge. Flush Valve material over five years old will not be accepted. Commercial Drainage and Specification Drainage galvanized material will be credited at value of Dura-Coated cast iron, and chrome plated at value of bronze. Zurn Wilkins damaged/broken test cocks or ball valves are not considered defective.

ILLUSTRATIONS OF TYPICAL INSTALLATIONS

The typical installations for various products found in each product section are intended to illustrate the products and potential options for the use of these products. Under no circumstances are they to be construed as recommended installation procedures. Consult local codes and project specifications for proper installation instructions.

SHORTAGE/DAMAGE CLAIMS

Notification of material shortages or incorrect filling of orders must be made to Zurn within 10 days of receipt. No claims over three months old will be honored. Buyer agrees to make all complaints for damage in transit or "short count" directly to the carrier; before the contents are unloaded have the carrier agent's acknowledgment of such damage noted on the bill of lading and to present to the carrier its agent's acknowledgment of such damaged material with formal claim covering said damage.

GENERAL

Zurn reserves the right to make changes in design or equipment of any item or product without incurring any obligation on previously sold items, and to discontinue items at any time, without notice. Possession of this Catalog or other sales literature is not to be construed as an offer to sell. All orders are subject to acceptance by Zurn. Catalog printed in U.S.A.

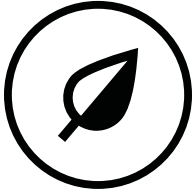
Zurn flush valves are designed to comply with Army Corp of Engineers and Naval guide specifications, Military Specification MIL.V.29193 and Federal Specification WWP541.

Zurn flush valves comply with the following standards: ASME A112.18.1/CSA B125.1, A112.19.5, A112.19.2, A112.19.6, ASSE 1037 and 101 are listed by the following agencies: Canadian Standards, IAPMO/UPC/CUPC, and CSA 125.3. Zurn flush valves are manufactured from dezincification resistant alloys. For additional compliances, contact Zurn Industries, LLC, Finish Plumbing Operation, or 1-800-997-3876.

Zurn is not responsible for typographical errors. The contents of this guide are subject to revision without notice.

© 2018 Zurn Industries, LLC Items in this Guide are covered by Patents and Patents Pending. Registered Trademarks.

LEAD FREE



XL LEAD FREE

On January 4th, 2014, changes to the Safe Drinking Water Act went into effect which mandate that all commercial plumbing fixtures, valves, pipes, and fittings that are directly intended for human water consumption are required to be manufactured with less than .25% leaded brass content.

The majority of Zurn Wilkins plumbing products fall within this category and as such have been changed to "lead-free" meaning they are compliant. Exceptions exist for product used in non-potable applications such as fire protection and irrigation, and therefore these products have not been converted. For purposes of this catalog, such products are referred to as "lead-free exempt". Finally, there are Zurn Wilkins products which may fall into either category based on the final application in which they are used. In such instances you will notice pricing for both "lead-free" and "lead-free exempt" part numbers.

TABLE OF CONTENTS BY PRODUCT CATEGORIES

GENERAL TERMS AND CONDITIONS	2	760 SERIES – DUAL CHECK WITH ATMOSPHERIC VENT	49
LEAD FREE	3	40XL2 SERIES – IN-LINE SINGLE CHECK VALVE	50
TABLE OF CONTENTS BY PRODUCT CATEGORIES	4	35XL SERIES – ATMOSPHERIC VACUUM BREAKER	50
300 SERIES PRODUCT DECODER	6	BFP-9 & BFP-8F SERIES – HOSE CONNECTION VACUUM BREAKER	51
BACKFLOW PREVENTERS	7	BACKFLOW PREVENTERS ACCESSORIES	53
350XL/350 SERIES – DOUBLE CHECK VALVE ASSEMBLY	8	WBR SERIES – IN BUILDING RISERS	54
950XL2/950XL SERIES – TOP ACCESS DOUBLE CHECK VALVE ASSEMBLY	9	ZWFR – FREEZE RELIEF VALVE	54
950XL SERIES – DOUBLE CHECK VALVE ASSEMBLY	10	BVMS – BALL VALVE MONITOR SWITCH	55
350AST SERIES – DOUBLE CHECK VALVE ASSEMBLY WITH STAINLESS STEEL BODY	10	OSY-40 – GATE VALVE SUPERVISORY SWITCH KIT	55
350A/350 SERIES – DOUBLE CHECK VALVE ASSEMBLY	12	850XL SERIES – FULL PORT BALL VALVE	56
450ST SERIES – DOUBLE CHECK VALVE ASSEMBLY WITH STAINLESS STEEL BODY	14	48 SERIES – NRS GATE VALVE	57
450 SERIES – DOUBLE CHECK VALVE ASSEMBLY	15	48OSY SERIES – OS&Y GATE VALVE	57
950XLTD SERIES – DOUBLE CHECK DETECTOR ASSEMBLY	16	48PIV – POST INDICATOR GATE VALVE	58
350ASTDA SERIES – DOUBLE CHECK DETECTOR ASSEMBLY WITH STAINLESS STEEL BODY	17	49 SERIES – BUTTERFLY VALVE	58
350ADA/350DA SERIES – DOUBLE CHECK DETECTOR ASSEMBLY	18	FLUSH FITTING TOOLS – 350/375 BACKFLOW PREVENTERS	59
450STDA SERIES – DOUBLE CHECK DETECTOR ASSEMBLY WITH STAINLESS STEEL BODY	20	TG-3 AND TG-5 – BACKFLOW ASSEMBLY TEST KITS	59
450DA SERIES – DOUBLE CHECK DETECTOR ASSEMBLY	21	QT-SET (BRASS) AND QTP (PLASTIC) – QUICK TEST FITTINGS	59
375XL/375 SERIES – REDUCED PRESSURE PRINCIPLE ASSEMBLY	22	400 SERIES SETTER	60
375XLB SERIES – THEFT PREVENTION REDUCED PRESSURE PRINCIPLE ASSEMBLY	23	AG SERIES – AIR GAP	60
375ST SERIES – STAINLESS STEEL REDUCED PRESSURE PRINCIPLE ASSEMBLY	24	STRAINERS	61
975XL2/975XL SERIES – REDUCED PRESSURE PRINCIPLE ASSEMBLY	25	YBXL SERIES – WYE STRAINER	62
975XLST SERIES – STAINLESS STEEL REDUCED PRESSURE PRINCIPLE ASSEMBLY	25	SXL SERIES – WYE STRAINER	63
975XL2V / 975XL2SE / 975XL2SEU SERIES – REDUCED PRESSURE PRINCIPLE ASSEMBLY WITH 90° STREET ELBOW	26	FSC SERIES – WYE STRAINER	63
375AST SERIES – REDUCED PRESSURE PRINCIPLE ASSEMBLY WITH STAINLESS STEEL BODY	27	ACV PART NUMBER CONFIGURATION TOOL	64
375A/375 SERIES – REDUCED PRESSURE PRINCIPLE ASSEMBLY	28	AUTOMATIC CONTROL VALVES	65
475ST/475STV SERIES – REDUCED PRESSURE PRINCIPLE ASSEMBLY WITH STAINLESS STEEL BODY	30	ZW209 SERIES – PRESSURE REDUCING VALVE	66
475/475V SERIES – REDUCED PRESSURE PRINCIPLE ASSEMBLY	32	ZW207 SERIES – EXCESS PRESSURE SHUT-OFF VALVE	67
FCIS SERIES – FLOOD CONTROL INTEGRATED SYSTEM AND DISCHARGE MONITORING SOLUTIONS	34	ZW206 SERIES – SOLENOID CONTROL VALVE	68
EST – ELECTRIC SOLENOID TIMER	34	ZW205 SERIES – PRESSURE RELIEF, PRESSURE SUSTAINING VALVE	69
MSK/BMSK SERIES – INTEGRAL RELIEF VALVE MONITOR SWITCH KIT	34	ZW204 SERIES – NON-MODULATING FLOAT VALVE	70
975XLHBM SERIES – HYDRANT BACKFLOW AND METER VALVE	35	ZW218 SERIES – SLOW CLOSE CHECK VALVE	71
RPHBM SERIES – HIGH CAPACITY HYDRANT BACKFLOW AND METER COMBINATION	35	ZW221/ZW222 SERIES – ALTITUDE LEVEL CONTROL VALVES	72
375ASTDA SERIES – REDUCED PRESSURE PRINCIPLE DETECTOR ASSEMBLY WITH STAINLESS STEEL BODY	36	ZW209FP SERIES – FIRE PROTECTION PRESSURE REDUCING VALVE	73
375ADA / 375DA SERIES – REDUCED PRESSURE PRINCIPLE DETECTOR ASSEMBLY	38	ZW205FP SERIES – FIRE PROTECTION PRESSURE RELIEF VALVE	74
475STDA/475STDAV SERIES – REDUCED PRESSURE PRINCIPLE DETECTOR ASSEMBLY WITH STAINLESS STEEL BODY	40	ZW215FP SERIES – FIRE PUMP SUCTION CONTROL VALVE	75
475DA/475DAV SERIES – REDUCED PRESSURE PRINCIPLE DETECTOR ASSEMBLY	42	AUTOMATIC CONTROL VALVE OPTIONS AND ACCESSORIES	76
310/310DA SERIES – SINGLE CHECK VALVE ASSEMBLY	44	PRESSURE REDUCING VALVES	79
420XL SERIES – PRESSURE VACUUM BREAKER	45	NR3XL SERIES – PRESSURE REDUCING VALVE	80
460XL SERIES – SPILL RESISTANT PRESSURE VACUUM BREAKER	45	70XL SERIES – PRESSURE REDUCING VALVE	81
720A SERIES – PRESSURE VACUUM BREAKER	46	500XL SERIES – PRESSURE REDUCING VALVE	82
700XL SERIES – DUAL CHECK VALVE	47	500XLYSBR SERIES – PRESSURE REDUCING VALVE	82
700XLFP SERIES – DUAL CHECK VALVE	47	510XL SERIES – OPTION FOR 500XL	82
705 SERIES – DUAL CHECK VALVE	48	500XLFC SERIES – PRESSURE REDUCING VALVE	83
730/735 SERIES – LABORATORY FAUCET VACUUM BREAKER	48	510XLFC SERIES – OPTION FOR 500XLFC	83
740 SERIES – BACKFLOW PREVENTER FOR VENDING MACHINE WATER SUPPLY	49	600XL SERIES – PRESSURE REDUCING VALVE	84
		610XL SERIES – OPTION FOR 600XL	84
		625XL SERIES – OPTION FOR 600XL	84
		WATER PRESSURE REDUCING VALVE ACCESSORIES	86
		TPKXL SERIES – TAILPIECE KITS	86
		25 SERIES – PRESSURE GAUGES	87

TABLE OF CONTENTS BY PRODUCT CATEGORIES

FIRE PROTECTION VALVES	89	REPAIR KITS	119
PRESSURE-TRU® Z2100/Z2105 SERIES – FIRE HOSE VALVE	90	LARGE DIAMETER BACKFLOW PREVENTER REPAIR KITS	120
PRESSURE-TRU® Z3004 SERIES – AUTOMATIC FIRE CONTROL VALVE	90	350/450 REPAIR KITS	120
PRESSURE-TRU® ZW4004 SERIES – AUTOMATIC FIRE CONTROL VALVE	91	375/475 REPAIR KITS	120
PRESSURE-TRU® ZW4000 SERIES – FIRE HOSE VALVE	91	FIRST CHECK ASSEMBLY	120
PRESSURE-TRU® Z3000/Z3005 SERIES – FIRE HOSE VALVE	92	SECOND CHECK ASSEMBLY	120
PRESSURE-TRU® ZW4104 SERIES – AUTOMATIC FIRE CONTROL VALVE	92	950/975 REPAIR KITS	121
PRESSURE-TRU® ZW4100 SERIES – FIRE HOSE VALVE	93	BY-PASS VALVES FOR DETECTOR ASSEMBLIES REPAIR KITS	121
F100/F100G SERIES – FIRE HOSE VALVE	94	CHECK SEAT RETAINER	121
F105 SERIES – PRESSURE RESTRICTING FIRE HOSE VALVE	94	DOUBLE CHECK DETECTOR ASSEMBLY BYPASS REPLACEMENT KIT	121
FTD SERIES – TEST AND DRAIN VALVE	95	RP DETECTOR ASSEMBLY BYPASS REPLACEMENT KIT	121
F49BR/F49BRG SERIES – POWERBALL BUTTERFLY VALVE	95	SMALL DIAMETER BACKFLOW PREVENTER REPAIR KITS	122
FEZR SERIES – COMMERCIAL RISER	96	350XL/350 REPAIR KITS	122
P4000A – PRESSURE RELIEF VALVE	97	375XL/375 REPAIR KITS	122
THERMOSTATIC MIXING VALVES	99	950XLT2/950XLT/950XL/950 REPAIR KITS	122
ZW1017XL –		975XL2/975XL/975 REPAIR KITS	122
AQUA-GARD® THERMOSTATIC MIXING VALVE (ASSE 1017 POINT OF SOURCE)	100	PRESSURE VACUUM BREAKER REPAIR KITS	123
ZW1017XLHT –		420XL/420 REPAIR KITS	123
AQUA-GARD® THERMOSTATIC MIXING VALVE (ASSE 1017 POINT OF SOURCE)	101	460XL/460 REPAIR KITS	123
ZW1070XL –		720A REPAIR KITS	123
AQUA-GARD® THERMOSTATIC MIXING VALVE (ASSE 1070 POINT OF USE)	102	ATMOSPHERIC VACUUM BREAKER REPAIR KIT	123
ZW3870XLT AND ZW3870XLT-4P –		DUAL CHECK ASSEMBLY REPAIR KITS	123
THERMOSTATIC MIXING VALVE (ASSE 1070 POINT OF USE)	103	BALL VALVE HANDLE LOCKS	123
THERMOSTATIC MIXING VALVES ACCESSORIES	104	AUTOMATIC CONTROL VALVE REPAIR KITS	123
TPKXL SERIES – TAILPIECE KITS	104	PRESSURE REDUCING VALVE REPAIR KITS	124
RELIEF VALVES	105	MISCELLANEOUS PARTS AND REPAIR KITS	124
TP1100A SERIES – RESIDENTIAL TEMPERATURE AND PRESSURE VALVE	106	QT/QTP – QUICK TEST BACKFLOW TEST FITTINGS	124
TP220 SERIES – COMMERCIAL TEMPERATURE AND PRESSURE VALVE	106	BVHD – BLUE STAINLESS STEEL BALL VALVE HANDLES WITH STAINLESS STEEL NUT	124
TP3000 SERIES – COMMERCIAL TEMPERATURE AND PRESSURE VALVE	107	BVHDXL – GREEN STAINLESS STEEL BALL VALVE HANDLES WITH STAINLESS STEEL NUT	124
P1000AXL SERIES – PRESSURE RELIEF VALVE	108	860XL – LEAD FREE TEST COCKS (SET)	124
P3000BR SERIES – PRESSURE RELIEF VALVE	108	860XLFT – LEAD FREE FAST-TEST COCKS WITH INTEGRAL SAE FITTINGS (SET)	124
P3000CI SERIES – PRESSURE RELIEF VALVE	109	860XL SERIES – BALL VALVE TEST COCKS (EACH)	125
P1500XL SERIES – CALIBRATED PRESSURE RELIEF VALVE	109	RK-975TOOL – COMPLETE SET OF 950XL/975XL SEAT REMOVAL TOOLS	125
P1520XL SERIES – THERMAL EXPANSION PRESSURE RELIEF VALVE	110	RK-BVTOOL – BALL VALVE HANDLE SOCKETS 3/4", 1", 1-1/4", 1-1/2", AND 2"	125
P1550XL SERIES – THERMAL EXPANSION PRESSURE RELIEF VALVE	110	RPHBM REPAIR KITS	125
MISCELLANEOUS PLUMBING PRODUCTS	111	FIRE VALVE REPAIR KITS	125
XT SERIES – POTABLE WATER EXPANSION TANK	112	INDEX AND ORDER FORM	127
WXTP SERIES – POTABLE WATER EXPANSION TANK	112	TABLE OF CONTENTS IN ALPHABETICAL ORDER	128
WTTA SERIES – ASME THERMAL EXPANSION TANK	113	ZURN WILKINS 300AR SERIES ORDER FORM	132
HXT SERIES – HYDRONIC EXPANSION TANK	113		
BVECXL SERIES – WATER HEATER SHUT-OFF VALVE WITH INTEGRAL THERMAL EXPANSION RELIEF VALVE	114		
1260XL SERIES – WATER HAMMER ARRESTERS	115		
25 SERIES – PRESSURE GAUGE	115		
VR10XL SERIES – VACUUM RELIEF VALVE	116		
DUXL SERIES – DIELECTRIC UNIONS	117		
DUXLC SERIES – DIELECTRIC UNIONS	117		
DUXLM SERIES – DIELECTRIC UNIONS	117		
DUBI SERIES – DIELECTRIC UNIONS	118		

300 SERIES PRODUCT DECODER

212 - 375 AST DA R MS B G FSC -AG

Code	Description
PLUMBING PIPE SIZE	
212	2-1/2"
3	3"
4	4"
6	6"
8	8"
10	10"
BASE PART NUMBER	
350	Double Check Assembly
375	Reduced Pressure Principle Assembly
BACKFLOW BODY STYLE	
A	Grooved Body, Ductile Iron Body
AST	Grooved Body, Stainless Steel Body
DETECTOR ASSEMBLY	
	Standard Assembly
DA	Detector Assembly
REPLACEMENT SERIES	
	Standard Assembly
R	Custom Length Assembly Replacement
MONITOR SWITCH	
	Standard Assembly
MS	with Integral Relief Valve Monitor Switch
SHUT-OFF VALVES	
	NRS Gate Valves
OSY	OS&Y Gate Valves
PI	Post Indicator Valves
B	Butterfly Valves
END CONNECTIONS	
F	Flange x Flange User Connections
FG	Flange x Groove User Connections
G	Groove x Groove User Connections
GF	Groove x Flange User Connections
BACKFLOW ACCESSORIES	
FSC	with Epoxy Coated Wye Type Strainer (Flanged Only)
-AG	Air Gap

BACKFLOW PREVENTERS

Zurn Wilkins backflow products offer the greatest value of any backflow preventer on the market. Zurn Wilkins offers a variety of configurations to meet your needs, as well as reliable proven designs with an emphasis on maintenance, repair, and total cost of ownership.

Use this catalog to help guide you to your specific product needs, then follow up by visiting www.zurn.com or contact a Zurn Wilkins customer care representative for more information.

350XL/350 SERIES – DOUBLE CHECK VALVE ASSEMBLY	8	475/475V SERIES – REDUCED PRESSURE PRINCIPLE ASSEMBLY	32
950XLT2/950XLT SERIES – TOP ACCESS DOUBLE CHECK VALVE ASSEMBLY	9	FCIS SERIES – FLOOD CONTROL INTEGRATED SYSTEM AND DISCHARGE MONITORING SOLUTIONS	34
950XL SERIES – DOUBLE CHECK VALVE ASSEMBLY	10	975XLHBM SERIES – HYDRANT BACKFLOW AND METER VALVE	35
350AST SERIES – DOUBLE CHECK VALVE ASSEMBLY WITH STAINLESS STEEL BODY	10	RPHBM SERIES – HIGH CAPACITY HYDRANT BACKFLOW AND METER COMBINATION	35
350A/350 SERIES – DOUBLE CHECK VALVE ASSEMBLY	12	375ASTDA SERIES – REDUCED PRESSURE PRINCIPLE DETECTOR ASSEMBLY WITH STAINLESS STEEL BODY	36
450ST SERIES – DOUBLE CHECK VALVE ASSEMBLY WITH STAINLESS STEEL BODY	14	375ADA /375DA SERIES – REDUCED PRESSURE PRINCIPLE DETECTOR ASSEMBLY	38
450 SERIES – DOUBLE CHECK VALVE ASSEMBLY	15	475STDA/475STDAV SERIES – REDUCED PRESSURE PRINCIPLE DETECTOR ASSEMBLY WITH STAINLESS STEEL BODY	40
950XLTDASERIES – DOUBLE CHECK DETECTOR ASSEMBLY	16	475DA/475DAV SERIES – REDUCED PRESSURE PRINCIPLE DETECTOR ASSEMBLY	42
350ASTDA SERIES – DOUBLE CHECK DETECTOR ASSEMBLY WITH STAINLESS STEEL BODY	17	310/310DA SERIES – SINGLE CHECK VALVE ASSEMBLY	44
350ADA/350DA SERIES – DOUBLE CHECK DETECTOR ASSEMBLY	18	420XL SERIES – PRESSURE VACUUM BREAKER	45
450STDA SERIES – DOUBLE CHECK DETECTOR ASSEMBLY WITH STAINLESS STEEL BODY	20	460XL SERIES – SPILL RESISTANT PRESSURE VACUUM BREAKER	45
450DA SERIES – DOUBLE CHECK DETECTOR ASSEMBLY	21	720A SERIES – PRESSURE VACUUM BREAKER	46
375XL/375 SERIES – REDUCED PRESSURE PRINCIPLE ASSEMBLY	22	700XL SERIES – DUAL CHECK VALVE	47
375XLB SERIES – THEFT PREVENTION REDUCED PRESSURE PRINCIPLE ASSEMBLY	23	705 SERIES – DUAL CHECK VALVE	48
375ST SERIES – STAINLESS STEEL REDUCED PRESSURE PRINCIPLE ASSEMBLY	24	730/735 SERIES – LABORATORY FAUCET VACUUM BREAKER	48
975XL2/975XL SERIES – REDUCED PRESSURE PRINCIPLE ASSEMBLY	25	740 SERIES – BACKFLOW PREVENTER FOR VENDING MACHINE WATER SUPPLY	49
375AST SERIES – REDUCED PRESSURE PRINCIPLE ASSEMBLY WITH STAINLESS STEEL BODY	27	760 SERIES – DUAL CHECK WITH ATMOSPHERIC VENT	49
375A/375 SERIES – REDUCED PRESSURE PRINCIPLE ASSEMBLY	28	40XL2 SERIES – IN-LINE SINGLE CHECK VALVE	50
475ST/475STV SERIES – REDUCED PRESSURE PRINCIPLE ASSEMBLY WITH STAINLESS STEEL BODY	30	35XL SERIES – ATMOSPHERIC VACUUM BREAKER	50
		BFP-9 & BFP-8F SERIES – HOSE CONNECTION VACUUM BREAKER	51

350XL/350 SERIES – DOUBLE CHECK VALVE ASSEMBLY



APPLICATIONS

The 350XL and 350 provide low health hazard backflow protection while embodying state-of-the-art materials in a easily maintained design. Used in all market segments.

FEATURES

- 3/4" - 2"
- 175 psi max
- 180°F max
- Short lay length – fits in smaller valve box
- Top access to test cocks and shutoff valves and check assembly – easy to test
- Entire pressure vessel is removable to facilitate check access for cleaning or repair
- Stainless steel ball valve handles and nuts standard

APPROVALS AND APPLICABLE STANDARDS

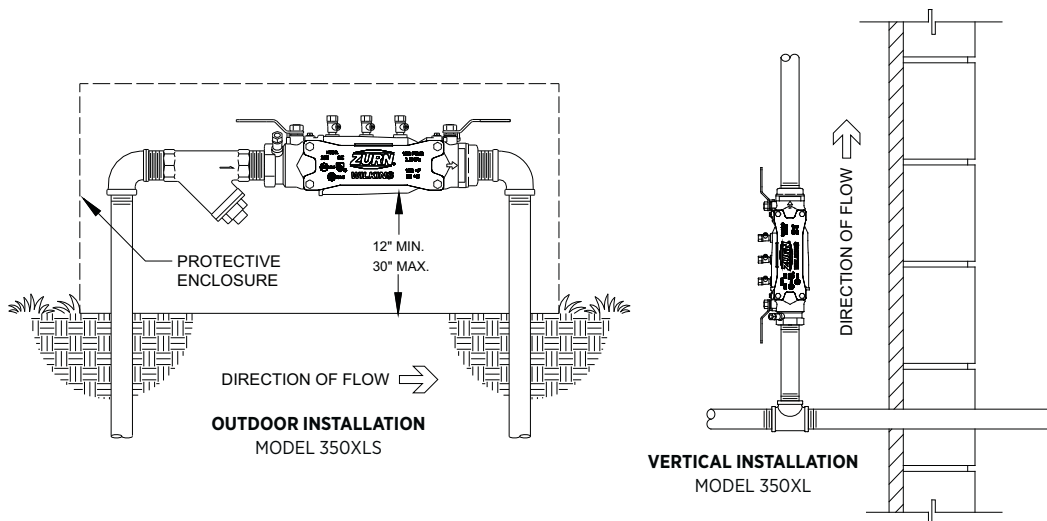
- Approved by the Foundation for Cross-Connection Control and Hydraulic Research at the University of Southern California
- ASSE® Listed 1015 (horizontal/vertical), IAPMO® Listed, CSA® Certified, UL® Classified, C-UL®, and AWWA Compliant
- 350XL is certified to NSF/ANSI 61 and 372

ACCESSORIES

- Bronze wye strainer (Model SXL)
- Thermal expansion tank (Model XT)
- Quick test set (QT-SET)
- Winterizing blow out flush fitting (RK34-350BOF, RK1-350BOF, or RK114-350-375BOF)
- Ball valve monitor switch (Model BVMS, 3/4" & 1")
- Available with Z-Bite™ and Z-Press™ Solderless Connections
- Repair kits

SIZE	LEAD-FREE PART NUMBER	LEAD-FREE LIST PRICE EA.	LEAD-FREE EXEMPT PART NUMBER	LEAD-FREE EXEMPT LIST PRICE EA.
350XL/350: FNPT X FNPT				
3/4"	34-350XL	421.00	34-350	366.00
1"	1-350XL	481.00	1-350	419.00
1-1/4"	114-350XL	938.00	114-350	816.00
1-1/2"	112-350XL	1,024.00	112-350	890.00
2"	2-350XL	1,189.00	2-350	1034.00
350XL/350L: MNPT X MNPT, LESS SHUT-OFF VALVES				
3/4"	34-350LXL	343.00	34-350L	298.00
1"	1-350LXL	343.00	1-350L	298.00
VALVE FOR BY-PASS ASSEMBLY FOR 950XLTD SERIES				
3/4"	34-350D	355.00	-	-
OPTIONS AND LIST PRICE ADDERS (ADD OPTION TO LIST PRICE TO DETERMINE TOTAL LIST PRICE)				
Fast-test test cocks (FT) option (e.g. 2-350XLFT), 3/4" and 1" USC Approved				
3/4" - 2"		No Charge		No Charge
BLOW OUT FLUSH FITTING OPTION (BOF) FOR EASY WINTERIZING AND STARTUP (E.G. 2-350XLBOF)				
3/4"	-	22.00	-	22.00
1"	-	29.00	-	29.00
1-1/4" - 2"	-	45.00	-	45.00
LEAD-FREE BRONZE WYE STRAINER (S) OPTION WITH NIPPLE (E.G. 2-350XLS)				
3/4"	-	79.00	-	-
1"	-	93.00	-	-
1-1/4"	-	135.00	-	-
1-1/2"	-	184.00	-	-
2"	-	268.00	-	-
STREET ELBOWS (SE) OPTION, FNPT X FNPT (E.G. 34-350XLSE)				
3/4"	-	102.00	-	-
1"	-	111.00	-	-

TYPICAL INSTALLATION



For additional product information, please visit www.zurn.com.

950XLT2/950XLT SERIES – TOP ACCESS DOUBLE CHECK VALVE ASSEMBLY



APPLICATIONS

Top Access check valves and test cocks make this valve most suitable for low health hazard meter box applications that require easy access during testing and repair.

FEATURES

- 3/4" - 2"
- 175 psi max
- 180°F max
- Complete with two full port resilient seated ball valves for shut-off and four resilient seated ball valve test cocks
- Both check valves and test cocks are designed at an inclined angle upward for easy access during repair, maintenance and testing
- Bronze body construction
- Stainless steel ball valve handles and nuts standard

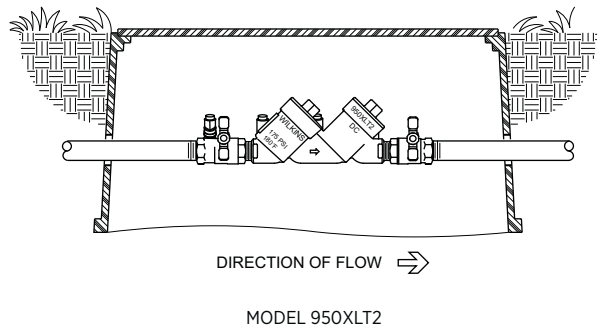
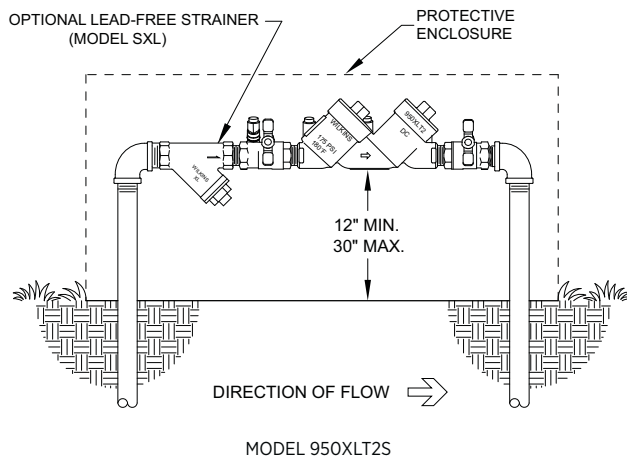
APPROVALS AND APPLICABLE STANDARDS

- Approved by the Foundation for Cross-Connection Control and Hydraulic Research at the University of Southern California
- ASSE® Listed 1015, IAPMO® Listed, CSA® Certified, UL® Classified, C-UL® Classified
- Model 950XLT2 is certified to NSF/ANSI 61 and 372

ACCESSORIES

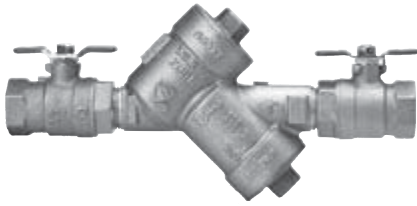
- Thermal expansion tank (Model XT)
- Bronze wye strainer (Model SXL)
- Quick test set (QT-SET)
- Ball valve monitor switch (Model BVMS)
- Available with Z-Bite™ and Z-Press™ Solderless Connections
- Repair Kit

TYPICAL INSTALLATION



SIZE	LEAD-FREE PART NUMBER	LEAD-FREE LIST PRICE EA.	LEAD-FREE EXEMPT PART NUMBER	LEAD-FREE EXEMPT LIST PRICE EA.
950XLT2/950XLT: FNPT X FNPT END CONNECTIONS				
3/4"	34-950XLT2	484.00	34-950XLT	421.00
1"	1-950XLT2	553.00	1-950XLT	481.00
1-1/4"	114-950XLT2	1,079.00	114-950XLT	938.00
1-1/2"	112-950XLT2	1,177.00	112-950XLT	1024.00
2"	2-950XLT2	1,367.00	2-950XLT	1189.00
950XLT2U: FNPT UNION X FNPT UNION				
3/4"	34-950XLT2U	605.00	34-950XLTU	526.00
1"	1-950XLT2U	692.00	1-950XLTU	602.00
1-1/4"	114-950XLT2U	1,349.00		
1-1/2"	112-950XLT2U	1,472.00		
2"	2-950XLT2U	1,709.00		
950XLT2/950XLT: MNPT X MNPT, LESS SHUT-OFF VALVES				
3/4"	34-950XLT2	394.00	34-950XLT	343.00
1"	1-950XLT2	395.00	1-950XLT	343.00
1-1/4"	114-950XLT2	841.00	114-950XLT	732.00
1-1/2"	112-950XLT2	851.00	112-950XLT	814.00
2"	2-950XLT2	855.00	2-950XLT	818.00
950XLT2BFSS/950XLTBFSS: FNPT BF X FNPT BF, SUPERVISORY SWITCH (TAMPURED BUTTERFLY VALVES)				
1-1/4"	114-950XLT2BFSS	3,106.00	114-950XLTBFSS	2589.00
1-1/2"	112-950XLT2BFSS	3,502.00	112-950XLTBFSS	2918.00
2"	2-950XLT2BFSS	4,038.00	2-950XLTBFSS	3365.00
OPTIONS AND LIST PRICE ADDERS (ADD OPTION TO LIST PRICE TO DETERMINE TOTAL LIST PRICE)				
Fast-Test Test Cocks (FT) OPTION (e.g. 34-950XLT2FT), 3/4" and 1" USC Approved				
3/4" - 2"	No Charge		No Charge	
STRAINER (S) OPTION WITH NIPPLE (E.G. 2-950XLT2S)				
3/4"	-	79.00	-	
1"	-	93.00	-	
1-1/4"	-	135.00	-	
1-1/2"	-	184.00	-	
2"	-	268.00	-	

950XL SERIES – DOUBLE CHECK VALVE ASSEMBLY



SIZE	LEAD-FREE PART NUMBER	LEAD-FREE LIST PRICE EA.	LEAD-FREE EXEMPT PART NUMBER	LEAD-FREE EXEMPT LIST PRICE EA.
950XL: FNPT X FNPT END CONNECTIONS				
3/4"	-	-	34-950XL	421.00
1"	-	-	1-950XL	481.00
1-1/2"	-	-	112-950XL	1024.00
2"	-	-	2-950XL	1189.00
950XLD: LEAD-FREE, FNPT X FNPT END CONNECTIONS FOR BY-PASS ASSEMBLY FOR 350DA/350ADA/450DA SERIES				
3/4"	34-950XLD	388.00	-	-

APPLICATIONS

The traditional wye pattern design Double Check that the irrigation and fire professional relies upon for superior backflow protection.

FEATURES

- 3/4", 1", 1-1/2", 2"
- 175 psi max
- 180°F max
- Bronze body construction
- Noryl® replaceable seats and silicone rubber check discs
- Stainless steel ball valve handles and nuts standard

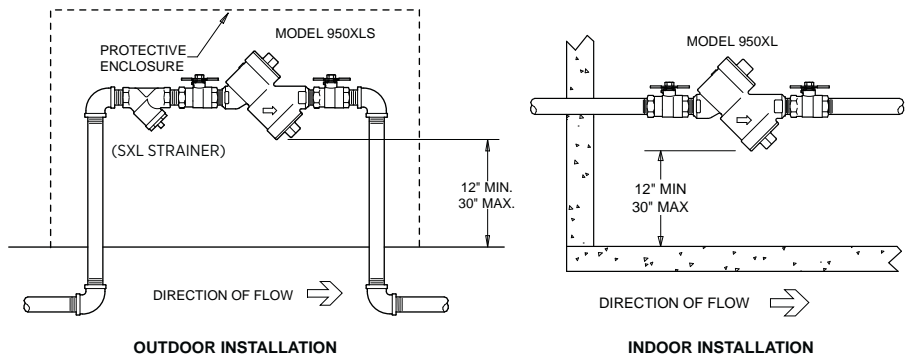
APPROVALS AND APPLICABLE STANDARDS

- Approved by the Foundation for Cross-Connection Control and Hydraulic Research at the University of Southern California
- ASSE® Listed 1015, IAPMO® Listed, CSA® Certified, UL® Classified, C- UL® Classified, AWWA Compliant

ACCESSORIES

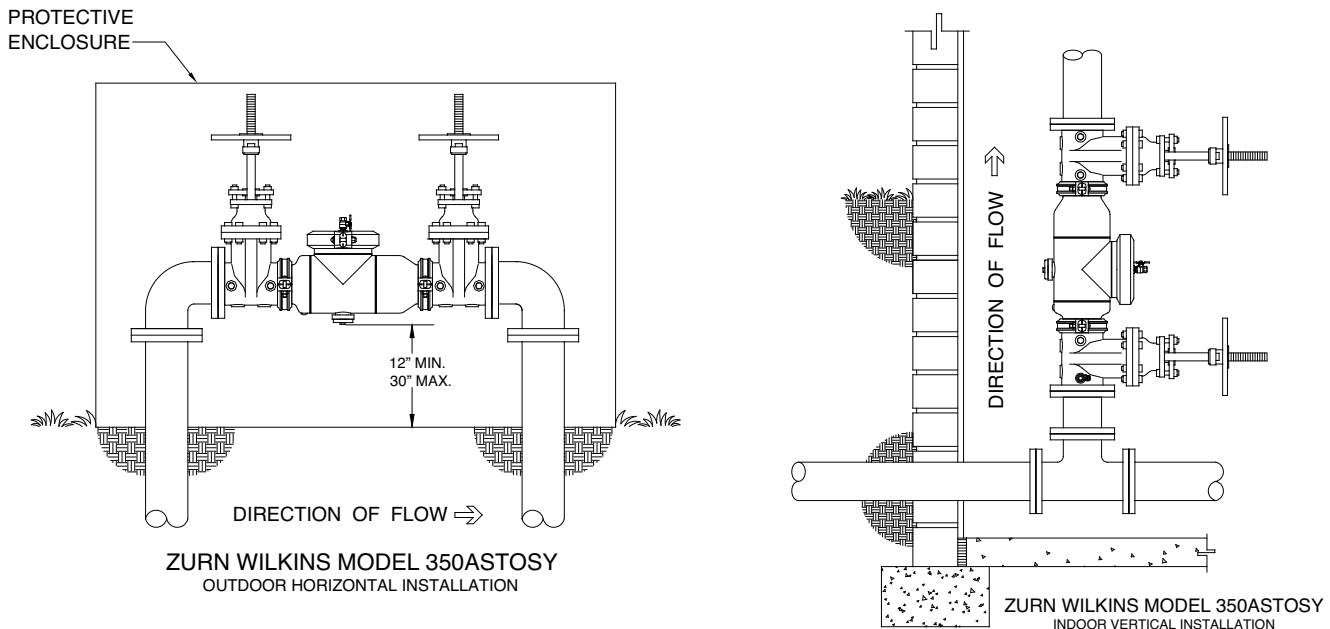
- Quick test set (QT-SET)
- Ball valve monitor switch (Model BVMS)
- Available with Z-Bite™ and Z-Press™ Solderless Connections
- SXL strainer
- Repair kits

TYPICAL INSTALLATION



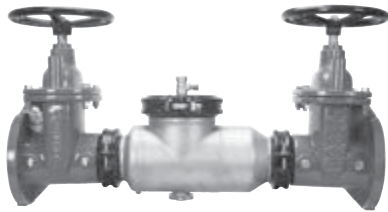
350AST SERIES – DOUBLE CHECK VALVE ASSEMBLY WITH STAINLESS STEEL BODY

TYPICAL INSTALLATION



For additional product information, please visit www.zurn.com.

350AST SERIES – DOUBLE CHECK VALVE ASSEMBLY WITH STAINLESS STEEL BODY



APPLICATIONS

The 350AST combines the features you expect from a Zurn Wilkins Double Check, in a corrosion resistant, stainless steel body for any low health hazard application in all market segments.

FEATURES

- 2-1/2" - 10" [grooved body]
- 175 psi max
- 140°F max
- Grooved or flanged end connections
- Improved Compound Check design
- Short lay-length for small space installation
- Lower maintenance costs from corrosion resistance of stainless steel body

APPROVALS AND APPLICABLE STANDARDS

- Approved by the Foundation for Cross Connection Control and Hydraulic Research at the University of Southern California
- ASSE® Listed 1015, AWWA Compliant C510 (with gates only), and C550, UL® Classified, C-UL® Classified, FM® Approved, CSA® Certified, IAPMO® Listed
- Certified to NSF/ANSI 61 and 372

ACCESSORIES

- Repair kit (rubber only)
- Thermal expansion tank (Model XT)
- OS&Y Gate valve tamper switch (OSY-40)
- Model FSC wye strainer (non fire applications)

TYPICAL INSTALLATION

See previous page

SIZE	LEAD-FREE PART NUMBER	LEAD-FREE LIST PRICE EA.
350AST (GROOVED BODY): FLANGED NRS X FLANGED NRS		
2-1/2"	212-350AST	4,825.00
3"	3-350AST	5,080.00
4"	4-350AST	5,280.00
6"	6-350AST	7,794.00
8"	8-350AST	14,165.00
10"	10-350AST	20,994.00

For grooved options, part number will be designated using "GF", "FG" or "G" (e.g. 212-350ASTFG, 4-350ASTGF, 10-350ASTG).

SIZE	LEAD-FREE PART NUMBER	LEAD-FREE LIST PRICE EA.
350ASTOSY (GROOVED BODY): FLANGED OSY X FLANGED OSY		
2-1/2"	212-350ASTOSY	4,989.00
3"	3-350ASTOSY	5,233.00
4"	4-350ASTOSY	5,649.00
6"	6-350ASTOSY	8,563.00
8"	8-350ASTOSY	15,215.00
10"	10-350ASTOSY	21,384.00

For grooved options, part number will be designated using "GF", "FG" or "G" (e.g. 212-350ASTOSYFG, 4-350ASTOSYGF, 10-350ASTOSYG).

SIZE	LEAD-FREE PART NUMBER	LEAD-FREE LIST PRICE EA.
350ASTPI (GROOVED BODY): FLANGED PI X FLANGED PI		
2-1/2"	212-350ASTPI	4,988.00
3"	3-350ASTPI	5,233.00
4"	4-350ASTPI	5,649.00
6"	6-350ASTPI	8,563.00
8"	8-350ASTPI	15,215.00
10"	10-350ASTPI	21,384.00

For grooved options, part number will be designated using "GF", "FG" or "G" (e.g. 212-350ASTPIFG, 4-350ASTPIGF, 10-350ASTPIG).

SIZE	LEAD-FREE PART NUMBER	LEAD-FREE LIST PRICE EA.
350ASTBG (GROOVED BODY): GROOVED BG X GROOVED BG (TAMPED BUTTERFLY VALVES)		
2-1/2"	212-350ASTBG	5,161.00
3"	3-350ASTBG	5,517.00
4"	4-350ASTBG	6,219.00
6"	6-350ASTBG	9,427.00
8"	8-350ASTBG	16,751.00
10"	10-350ASTBG	22,617.00

SIZE	LEAD-FREE PART NUMBER	LEAD-FREE LIST PRICE EA.
350ASTBF (GROOVED BODY): FLANGED BF X FLANGED BF (TAMPED BUTTERFLY VALVES)		
2-1/2"	212-350ASTBF	5,313.00
3"	3-350ASTBF	5,768.00
4"	4-350ASTBF	6,545.00
6"	6-350ASTBF	9,844.00
8"	8-350ASTBF	17,188.00
10"	10-350ASTBF	23,083.00

SIZE	LEAD-FREE PART NUMBER	LEAD-FREE LIST PRICE EA.
350ASTBFG (GROOVED BODY): FLANGED BF X GROOVED BG (TAMPED BUTTERFLY VALVES)		
2-1/2"	212-350ASTBFG	5,237.00
3"	3-350ASTBFG	5,643.00
4"	4-350ASTBFG	6,382.00
6"	6-350ASTBFG	9,636.00
8"	8-350ASTBFG	16,970.00
10"	10-350ASTBFG	22,850.00

SIZE	LEAD-FREE PART NUMBER	LEAD-FREE LIST PRICE EA.
350ASTOSYPI (GROOVED BODY): OSY & PI GATE VALVES		
2-1/2"-10"		Use OSY Pricing

For grooved options, part number will be designated using "GF", "FG" or "G" (e.g. 212-350ASTPIOSYFG, 4-350ASTOSYPIGF, 10-350ASTOSYPIG).

SIZE	LEAD-FREE PART NUMBER	LEAD-FREE LIST PRICE EA.
350ASTOSYBFG (GROOVED BODY): FLANGED OSY X GROOVED BG (TAMPED BUTTERFLY VALVE)		
2-1/2"	212-350ASTOSYBFG	5,075.00
3"	3-350ASTOSYBFG	5,375.00
4"	4-350ASTOSYBFG	5,934.00
6"	6-350ASTOSYBFG	8,995.00
8"	8-350ASTOSYBFG	15,983.00
10"	10-350ASTOSYBFG	22,000.00

SIZE	LEAD-FREE PART NUMBER	LEAD-FREE LIST PRICE EA.
350ASTPIBFG (GROOVED): FLANGED PI X GROOVED BG (TAMPED BUTTERFLY VALVE)		
2-1/2"	212-350ASTPIBFG	5,075.00
3"	3-350ASTPIBFG	5,375.00
4"	4-350ASTPIBFG	5,934.00
6"	6-350ASTPIBFG	8,995.00
8"	8-350ASTPIBFG	15,983.00
10"	10-350ASTPIBFG	22,000.00

For grooved options, part number will be designated using "GF", "FG" or "G" (e.g. 212-350ASTOSYBFG, 4-350ASTOSYBFG, 10-350ASTPIBFG).

SIZE	LEAD-FREE LIST PRICE EA.
OPTIONS AND LIST PRICE ADDERS (ADD OPTION TO LIST PRICE TO DETERMINE TOTAL LIST PRICE)	
FSC STRAINER (FSC) OPTION WITH BOLT KIT, FLANGED X FLANGED CONNECTION	
2-1/2"	497.00
3"	604.00
4"	984.00
6"	1,582.00
8"	3,141.00
10"	5,443.00

Part number will be designated using "FSC" (e.g. 212-350ASTFSC, 4-350ASTOSYFSC, 10-350ASTOSYPIFSC).

300AR SERIES - REPLACEMENT BACKFLOW ASSEMBLY (2-1/2" - 10")

Custom length Double Check Valve Assembly for drop in replacements. Stainless steel grooved x grooved spool installed between the backflow valve and the outlet shut-off valve. Can be used with 350 Series and 375 Series grooved body models. For replacement of longer lay-length backflow preventers.

350ASTR list price adder to be added to list price of the 350AST to determine total list price.

See order form and product specification sheet on the website for details and options.

SIZE	INLET X OUTLET CONNECTIONS / OPTIONS	LEAD-FREE LIST PRICE ADDER EA.
2-1/2"	Length Range "A": Up to 47-1/8"	545.00
3"	Length Range "A": Up to 48-1/8"	567.00
4"	Length Range "A": Up to 50"	657.00
4"	Length Range "B": Up to 62-1/4"	759.00
6"	Length Range "A": Up to 59"	877.00
6"	Length Range "B": Up to 71-1/4"	1,021.00
8"	Length Range "A": Up to 74"	1,173.00
8"	Length Range "B": Up to 86"	1,363.00
10"	Length Range "A": Up to 77"	1,422.00
10"	Length Range "B": Up to 89"	1,677.00
10"	Length Range "C": Up to 100-5/8"	1,931.00

Part number will be designated using "350ASTR-X", where X = the Length Range (e.g. 212-350ASTR-A, 4-350ASTR-B, 10-350ASTR-C).

350A/350 SERIES – DOUBLE CHECK VALVE ASSEMBLY



APPLICATIONS

Traditional ductile iron bodies and grooved or flanged shut-off valve attachment define the Zurn Wilkins 350 series Double Check Valve Assemblies. Used in low health hazard applications and all market segments.

FEATURES

- 350A: 2-1/2" - 10" [grooved body]
- 350: 2-1/2" - 12" [flanged body]
- 175 psi max
- 140°F max
- Epoxy coated ductile iron body
- No threads or taps in body or cover, eliminating exposure to corrosion

APPROVALS AND APPLICABLE STANDARDS

- Approved by the Foundation for Cross-Connection Control and Hydraulic Research at the University of Southern California (horizontal/vertical) (2-1/2" - 10", 12" Horizontal)
- ASSE® Listed 1015 (horizontal/vertical), AWWA Listed (horizontal/vertical), IAPMO® Listed (horizontal/vertical)
- CSA® Certified (horizontal/vertical), C-UL® Classified (horizontal/vertical), UL® Classified (horizontal/vertical), FM® Approved (horizontal/vertical) (2-1/2" - 10")
- 12" UL Classified (horizontal)
- Certified to NSF/ANSI 61 and 372

ACCESSORIES

- Repair kit (rubber only)
- Thermal expansion tank (Model XT)
- OS&Y Gate valve tamper switch (OSY-40)
- Model FSC wye strainer (non fire applications)

SIZE	LEAD-FREE PART NUMBER	LEAD-FREE LIST PRICE EA.
350A (GROOVED BODY): FLANGED NRS X FLANGED NRS		
2-1/2"	212-350A	4,825.00
3"	3-350A	5,080.00
4"	4-350A	5,280.00
6"	6-350A	7,794.00
8"	8-350A	14,165.00
10"	10-350A	20,994.00

For grooved options, part number will be designated using "GF", "FG" or "G" (e.g. 212-350AFG, 4-350AGF, 10-350AG).

SIZE	LEAD-FREE PART NUMBER	LEAD-FREE LIST PRICE EA.
350AOSY (GROOVED BODY): FLANGED OSY X FLANGED OSY		
2-1/2"	212-350AOSY	4,989.00
3"	3-350AOSY	5,233.00
4"	4-350AOSY	5,649.00
6"	6-350AOSY	8,563.00
8"	8-350AOSY	15,215.00
10"	10-350AOSY	21,384.00

For grooved options, part number will be designated using "GF", "FG" or "G" (e.g. 212-350OSYFG, 4-350OSYGF, 10-350OSYYG).

SIZE	LEAD-FREE PART NUMBER	LEAD-FREE LIST PRICE EA.
350API (GROOVED BODY): FLANGED PI X FLANGED PI		
2-1/2"	212-350API	4,988.00
3"	3-350API	5,233.00
4"	4-350API	5,649.00
6"	6-350API	8,563.00
8"	8-350API	15,215.00
10"	10-350API	21,384.00

For grooved options, part number will be designated using "GF", "FG" or "G" (e.g. 212-350APIFG, 4-350APIGF, 10-350APIG).

SIZE	LEAD-FREE PART NUMBER	LEAD-FREE LIST PRICE EA.
350ABG (GROOVED BODY): GROOVED BG X GROOVED BG (TAMPED BUTTERFLY VALVES)		
2-1/2"	212-350ABG	5,161.00
3"	3-350ABG	5,517.00
4"	4-350ABG	6,219.00
6"	6-350ABG	9,427.00
8"	8-350ABG	16,751.00
10"	10-350ABG	22,617.00

SIZE	LEAD-FREE PART NUMBER	LEAD-FREE LIST PRICE EA.
350ABF (GROOVED BODY): FLANGED BF X FLANGED BF (TAMPED BUTTERFLY VALVES)		
2-1/2"	212-350ABF	5,313.00
3"	3-350ABF	5,768.00
4"	4-350ABF	6,545.00
6"	6-350ABF	9,844.00
8"	8-350ABF	17,188.00
10"	10-350ABF	23,083.00

SIZE	LEAD-FREE PART NUMBER	LEAD-FREE LIST PRICE EA.
350ABFG (GROOVED BODY): FLANGED BF X GROOVED BG (TAMPED BUTTERFLY VALVES)		
2-1/2"	212-350ABFG	5,237.00
3"	3-350ABFG	5,643.00
4"	4-350ABFG	6,382.00
6"	6-350ABFG	9,636.00
8"	8-350ABFG	16,970.00
10"	10-350ABFG	22,850.00

SIZE	LEAD-FREE PART NUMBER	LEAD-FREE LIST PRICE EA.
350ANRSOSY (GROOVED BODY): FLANGED NRS X FLANGED OSY		
2-1/2"	212-350ANRSOSY	4,906.00
3"	3-350ANRSOSY	5,156.00
4"	4-350ANRSOSY	5,464.00
6"	6-350ANRSOSY	8,179.00
8"	8-350ANRSOSY	14,690.00
10"	10-350ANRSOSY	21,189.00

SIZE	LEAD-FREE PART NUMBER	LEAD-FREE LIST PRICE EA.
350ANRSPI (GROOVED BODY): FLANGED NRS X FLANGED PI		
2-1/2"	212-350ANRSPI	4,906.00
3"	3-350ANRSPI	5,156.00
4"	4-350ANRSPI	5,464.00
6"	6-350ANRSPI	8,179.00
8"	8-350ANRSPI	14,690.00
10"	10-350ANRSPI	21,189.00

For grooved options, part number will be designated using "GF", "FG" or "G" (e.g. 212-350ANRSPIFG, 4-350AOSYNRSYGF, 10-350ANRSOSYG).

SIZE	LEAD-FREE PART NUMBER	LEAD-FREE LIST PRICE EA.
350ANRSBFG (GROOVED BODY): FLANGED NRS X GROOVED BG (TAMPED BUTTERFLY VALVE)		
2-1/2"	212-350ANRSBFG	4,993.00
3"	3-350ANRSBFG	5,298.00
4"	4-350ANRSBFG	5,750.00
6"	6-350ANRSBFG	8,611.00
8"	8-350ANRSBFG	15,458.00
10"	10-350ANRSBFG	21,806.00

For grooved options, part number will be designated using "GF", "FG" or "G" (e.g. 212-350ANRSYGF, 4-350ANRSBFG, 10-350ANRSYG).

SIZE	LEAD-FREE PART NUMBER	LEAD-FREE LIST PRICE EA.
350AOSYPI (GROOVED BODY): OSY AND PI GATE VALVES		
2-1/2"-10"		Use OSY Pricing

For grooved options, part number will be designated using "GF", "FG" or "G" (e.g. 212-350AOSYPIFG, 4-350AOSYPIGF, 10-350AOSYPIYG).

SIZE	LEAD-FREE PART NUMBER	LEAD-FREE LIST PRICE EA.
350AOSYBFG (GROOVED BODY): FLANGED OSY X GROOVED BG (TAMPED BUTTERFLY VALVE)		
2-1/2"	212-350AOSYBFG	5,075.00
3"	3-350AOSYBFG	5,375.00
4"	4-350AOSYBFG	5,934.00
6"	6-350AOSYBFG	8,995.00
8"	8-350AOSYBFG	15,983.00
10"	10-350AOSYBFG	22,000.00

SIZE	LEAD-FREE PART NUMBER	LEAD-FREE LIST PRICE EA.
350APIBFG (GROOVED BODY): FLANGED PI X GROOVED BG (TAMPED BUTTERFLY VALVE)		
2-1/2"	212-350APIBFG	5,075.00
3"	3-350APIBFG	5,375.00
4"	4-350APIBFG	5,934.00
6"	6-350APIBFG	8,995.00
8"	8-350APIBFG	15,983.00
10"	10-350APIBFG	22,000.00

For grooved options, part number will be designated using "GF", "FG" or "G" (e.g. 212-350AOSYBFG, 4-350AOSYBFG, 10-350APIBFG).

SIZE	LEAD-FREE PART NUMBER	LEAD-FREE LIST PRICE EA.
350AL (GROOVED BODY): LESS GATE VALVES		
2-1/2"	212-350AL	3,388.00
3"	3-350AL	3,388.00
4"	4-350AL	3,554.00
6"	6-350AL	5,608.00
8"	8-350AL	10,601.00
10"	10-350AL	14,514.00

Part number will be designated using "L" (e.g. 4-350AL, 6-350AL, 10-350AL).

350A/350 SERIES – DOUBLE CHECK VALVE ASSEMBLY (CONTINUED)

SIZE	LEAD-FREE PART NUMBER	LEAD-FREE LIST PRICE EA.
350 (FLANGED BODY): FLANGED NRS X FLANGED NRS		
2-1/2"	212-350	4,094.00
3"	3-350	4,298.00
4"	4-350	5,280.00
6"	6-350	7,794.00
8"	8-350	14,165.00
10"	10-350	20,994.00
12"	12IN-350	31,500.00

For grooved options, part number will be designated using "GF", "FG" or "G" (e.g. 212-350FG, 4-350GF, 10-350G).

SIZE	LEAD-FREE PART NUMBER	LEAD-FREE LIST PRICE EA.
350OSY (FLANGED BODY): FLANGED OSY X FLANGED OSY		
2-1/2"	212-350OSY	4,688.00
3"	3-350OSY	5,011.00
4"	4-350OSY	6,200.00
6"	6-350OSY	8,563.00
8"	8-350OSY	15,215.00
10"	10-350OSY	21,384.00
12"	12IN-350OSY	32,225.00

For grooved options, part number will be designated using "GF", "FG" or "G" (e.g. 212-350OSYFG, 4-350OSYGF, 10-350OSYG).

SIZE	LEAD-FREE PART NUMBER	LEAD-FREE LIST PRICE EA.
350PI (FLANGED BODY): FLANGED PI X FLANGED PI		
2-1/2"	212-350PI	4,688.00
3"	3-350PI	5,011.00
4"	4-350PI	6,200.00
6"	6-350PI	8,563.00
8"	8-350PI	15,215.00
10"	10-350PI	21,384.00
12"	12IN-350PI	32,225.00

For grooved options, part number will be designated using "GF", "FG" or "G" (e.g. 212-350PIFG, 4-350PIGF, 10-350PIG).

SIZE	LEAD-FREE PART NUMBER	LEAD-FREE LIST PRICE EA.
350NRSOSY (FLANGED BODY): FLANGED NRS X FLANGED OSY		
2-1/2"	212-350NRSOSY	4,391.00
3"	3-350NRSOSY	4,654.00
4"	4-350NRSOSY	5,740.00
6"	6-350NRSOSY	8,179.00
8"	8-350NRSOSY	14,690.00
10"	10-350NRSOSY	21,189.00
12"	12IN-350NRSOSY	31,862.00

SIZE	LEAD-FREE PART NUMBER	LEAD-FREE LIST PRICE EA.
350NRSPI (FLANGED BODY): FLANGED NRS X FLANGED PI		
2-1/2"	212-350NRSPI	4,391.00
3"	3-350NRSPI	4,654.00
4"	4-350NRSPI	5,740.00
6"	6-350NRSPI	8,179.00
8"	8-350NRSPI	14,690.00
10"	10-350NRSPI	21,189.00
12"	12IN-350NRSPI	31,863.00

For grooved options, part number will be designated using "GF", "FG" or "G" (e.g. 212-350NRSPIGF, 4-350SYNRSPIGF, 10-350NRSOSYGF).

SIZE	LEAD-FREE PART NUMBER	LEAD-FREE LIST PRICE EA.
350OSYPI (FLANGED BODY): FLANGED OSY X FLANGED PI		
2-1/2" - 12"		Use OSY Pricing

For grooved options, part number will be designated using "GF", "FG" or "G" (e.g. 212-350PIOSYFG, 4-350OSYPIGF, 10-350OSYPIG).

SIZE	LEAD-FREE PART NUMBER	LEAD-FREE LIST PRICE EA.
350L (FLANGED BODY): FLANGED X FLANGED, LESS SHUT-OFF VALVES		
2-1/2"	212-350L	2,549.00
3"	3-350L	2,599.00
4"	4-350L	3,554.00
6"	6-350L	5,608.00
8"	8-350L	10,601.00
10"	10-350L	14,514.00
12"	12IN-350L	19,146.00

Part number will be designated using "L" (e.g. 4-350L, 6-350L, 10-350L).

SIZE	LEAD-FREE LIST PRICE EA.
OPTIONS AND LIST PRICE ADDERS (ADD OPTION TO LIST PRICE TO DETERMINE TOTAL LIST PRICE)	

SIZE	LEAD-FREE LIST PRICE EA.
FSC STRAINER (FSC) OPTION WITH BOLT KIT, FLANGED X FLANGED CONNECTION	
2-1/2"	497.00
3"	604.00
4"	984.00
6"	1,582.00
8"	3,141.00
10"	5,443.00
12"	9,704.00

Part number will be designated using "FSC" (e.g. 212-350FSC, 4-350OSYFSC, 10-350OSYPIFSC). Lead Law Compliant.

OPTIONS AND LIST PRICE ADDERS (ADD OPTION TO LIST PRICE TO DETERMINE TOTAL LIST PRICE)

300AR SERIES - REPLACEMENT BACKFLOW ASSEMBLY (2-1/2" - 10")

Custom length Double Check Valve Assembly for drop in replacements. Stainless steel grooved x grooved spool installed between the backflow valve and the outlet shut-off valve. Can be used with 350 Series and 375 Series grooved body models. For replacement of longer lay-length backflow preventers.

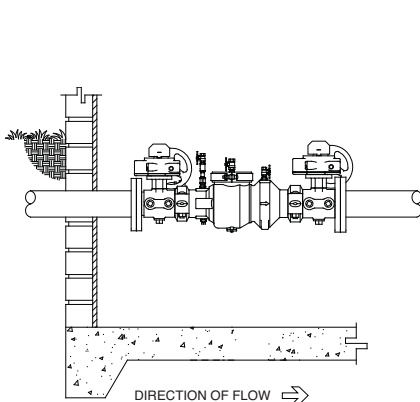
350AR list price adder to be added to list price of the 350A to determine total list price.

See order form and product specification sheet on the website for details and options.

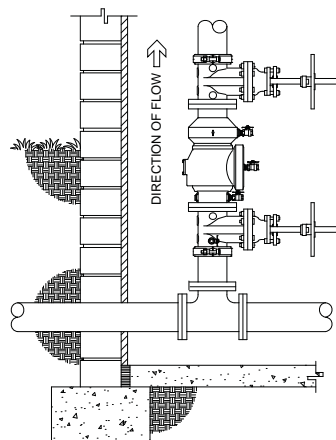
SIZE	INLET X OUTLET CONNECTIONS / OPTIONS	LEAD-FREE LIST PRICE ADDER EA.
2-1/2"	Length Range "A": Up to 47-1/8"	545.00
3"	Length Range "A": Up to 48-1/8"	567.00
4"	Length Range "A": Up to 50"	657.00
4"	Length Range "B": Up to 62-1/4"	759.00
6"	Length Range "A": Up to 59"	877.00
6"	Length Range "B": Up to 71-1/4"	1,021.00
8"	Length Range "A": Up to 74"	1,173.00
8"	Length Range "B": Up to 86"	1,363.00
10"	Length Range "A": Up to 77"	1,422.00
10"	Length Range "B": Up to 89"	1,677.00
10"	Length Range "C": Up to 100-5/8"	1,931.00

Part number will be designated using "350ASTR-X", where X = the Length Range (e.g. 212-350ASTR-A, 4-350ASTR-B, 10-350ASTR-C).

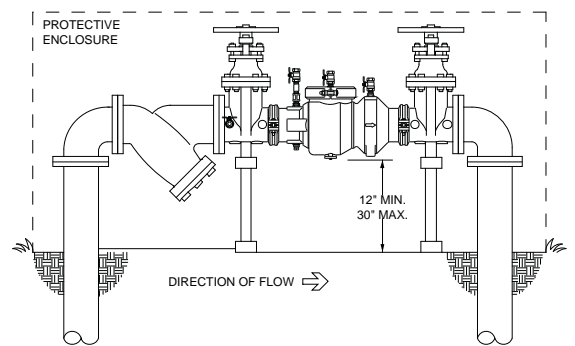
TYPICAL INSTALLATION



INDOOR INSTALLATION
MODEL 350ABF



INDOOR INSTALLATION
(VERT.) MODEL 350OSYG



OUTDOOR INSTALLATION
MODEL 350AFSC

450ST SERIES – DOUBLE CHECK VALVE ASSEMBLY WITH STAINLESS STEEL BODY



APPLICATIONS

Designed for drop in replacement of competitor valves and new installation on potable water lines to protect against both backsiphonage and backpressure of polluted water into the potable water supply. The Model 450ST shall provide protection in a low hazard health application. Ideal for use where lead-free valves are required.

FEATURES

- 4" - 10"
- 175 psi max
- 140°F max
- n-Pattern space saving design
- Stainless steel body
- Direct drop in replacement of competitor valves

APPROVALS AND APPLICABLE STANDARDS

- Foundation for Cross-Connection Control and Hydraulic Research at the University of Southern California (pending, see www.zurn.com for current information)
- ASSE® Listed 1013, UL® Classified, FM® Approved, C-UL® Classified, CSA® Certified, AWWA Compliant C511 (with gates only), and C550
- Certified to NSF/ANSI 61

ACCESSORIES

- Air gap (Model AG)
- Valve setter (Model FLSST or MJSST or MJFSST)
- OS&Y gate valve supervisory switch (OSY-40)

SIZE	LEAD-FREE PART NUMBER	LEAD-FREE LIST PRICE EA.
450ST: FLANGED NRS X FLANGED NRS		
4"	4-450ST	5,355.50
6"	6-450ST	7,549.10
8"	8-450ST	13,678.80
10"	10-450ST	22,503.10

For grooved options, part number will be designated using "GF", "FG", or "G" (e.g. 4-450STGF, 4-450STG, 4-450STG)

SIZE	LEAD-FREE PART NUMBER	LEAD-FREE LIST PRICE EA.
450STOSY: FLANGED OSY X FLANGED OSY		
4"	4-450STOSY	5,711.00
6"	6-450STOSY	8,126.10
8"	8-450STOSY	14,645.20
10"	10-450STOSY	22,921.50

For grooved options, part number will be designated using "GF", "FG", or "G" (e.g. 4-450STOSYFG, 4-450STOSYGF, 4-450STOSYG)

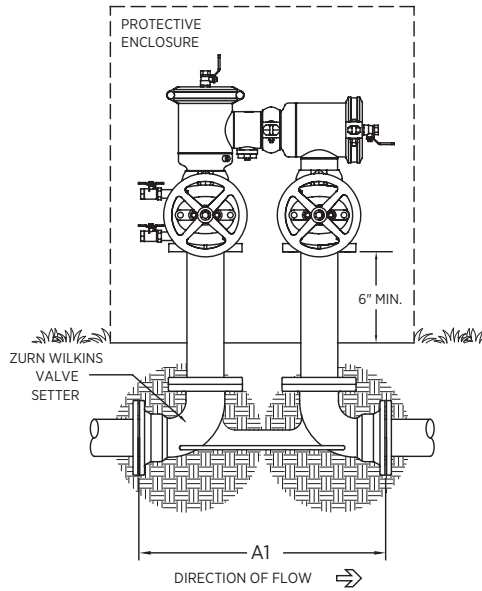
SIZE	LEAD-FREE PART NUMBER	LEAD-FREE LIST PRICE EA.
450STBG: GROOVED BG X GROOVED BG (TAMPED BUTTERFLY VALVES)		
4"	4-450STBG	6,287.60
6"	6-450STBG	8,946.60
8"	8-450STBG	16,124.40
10"	10-450STBG	24,279.20

SIZE	LEAD-FREE PART NUMBER	LEAD-FREE LIST PRICE EA.
450STBF: FLANGED BF X FLANGED BF (TAMPED BUTTERFLY VALVES)		
4"	4-450STBF	6,588.20
6"	6-450STBF	9,330.20
8"	8-450STBF	16,526.80
10"	10-450STBF	24,708.50

SIZE	LEAD-FREE PART NUMBER	LEAD-FREE LIST PRICE EA.
450STPI: FLANGED PI X FLANGED PI		
4"	4-450STPI	5,710.80
6"	6-450STPI	8,126.20
8"	8-450STPI	14,645.30
10"	10-450STPI	22,921.70

SIZE	LEAD-FREE PART NUMBER	LEAD-FREE LIST PRICE EA.
450STR: FLANGED NRS X FLANGED NRS REPLACEMENT BACKFLOW		
4"	4-450STR	6,962.00
6"	6-450STR	9,751.00
8"	8-450STR	17,699.00
10"	10-450STR	29,267.00

TYPICAL INSTALLATION



OUTDOOR INSTALLATION

450 SERIES - DOUBLE CHECK VALVE ASSEMBLY



APPLICATIONS

A large diameter double check in the "n" pattern, for new or retrofit installations in tight locations.

FEATURES

- 2-1/2" - 10"
- 175 psi max
- 140°F max
- n-Pattern space saving design
- Epoxy coated ductile iron body
- Utilizes modular, center-stem guided Compound Check

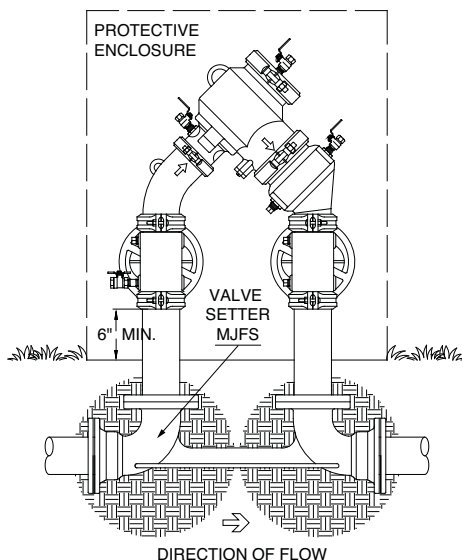
APPROVALS AND APPLICABLE STANDARDS

- Approved by the Foundation for Cross-Connection Control and Hydraulic Research at the University of Southern California
- ASSE® Listed 1015, IAPMO® Listed, AWWA Compliant, UL® Classified, C-UL® Classified, FM® Approved
- CSA® Certified
- Certified to NSF/ANSI 61 and 372

ACCESSORIES

- Thermal expansion tank (Model XT)
- Valve setter (Model FLS or MJS or MJFS)
- OS&Y gate valve supervisory switch (OSY-40)
- Quick test set (QT-SET)
- Repair kits

TYPICAL INSTALLATION



SIZE	LEAD-FREE PART NUMBER	LEAD-FREE LIST PRICE EA.
450: FLANGED NRS X FLANGED NRS		
2-1/2"	212-450	4,128.00
3"	3-450	4,342.00
4"	4-450	5,816.00
6"	6-450	8,198.00
8"	8-450	14,854.00
10"	10-450	24,437.00

For grooved options, part number will be designated using "GF", "FG" or "G" (e.g. 212-450SYFG, 4-450GF, 10-450G).

SIZE	LEAD-FREE PART NUMBER	LEAD-FREE LIST PRICE EA.
450OSY: FLANGED OSY X FLANGED OSY		
2-1/2"	212-450OSY	4,989.00
3"	3-450OSY	5,233.00
4"	4-450OSY	6,202.00
6"	6-450OSY	8,825.00
8"	8-450OSY	15,904.00
10"	10-450OSY	24,891.00

For grooved options, part number will be designated using "GF", "FG" or "G" (e.g. 212-450OSYFG, 4-450OSYGF, 10-450OSYG).

SIZE	LEAD-FREE PART NUMBER	LEAD-FREE LIST PRICE EA.
450PI: FLANGED PI X FLANGED PI		
2-1/2"	212-450PI	4,988.00
3"	3-450PI	5,233.00
4"	4-450PI	6,202.00
6"	6-450PI	8,825.00
8"	8-450PI	15,904.00
10"	10-450PI	24,891.00

For grooved options, part number will be designated using "GF", "FG" or "G" (e.g. 212-450PIFG, 4-450PIGF, 10-450PIG).

SIZE	LEAD-FREE PART NUMBER	LEAD-FREE LIST PRICE EA.
450BG: GROOVED BG X GROOVED BG (TAMPURED BUTTERFLY VALVES)		
4"	4-450BG	6,828.00
6"	6-450BG	9,716.00
8"	8-450BG	17,510.00
10"	10-450BG	26,365.00

SIZE	LEAD-FREE PART NUMBER	LEAD-FREE LIST PRICE EA.
450BF: FLANGED BF X FLANGED BF (TAMPURED BUTTERFLY VALVES)		
4"	4-450BF	7,154.00
6"	6-450BF	10,132.00
8"	8-450BF	17,947.00
10"	10-450BF	26,831.00

SIZE	LEAD-FREE PART NUMBER	LEAD-FREE LIST PRICE EA.
450BFG: FLANGED BF X GROOVED BG (TAMPURED BUTTERFLY VALVES)		
4"	4-450BFG	6,992.00
6"	6-450BFG	9,924.00
8"	8-450BFG	17,729.00
10"	10-450BFG	26,598.00

SIZE	LEAD-FREE PART NUMBER	LEAD-FREE LIST PRICE EA.
450NRSOSY: FLANGED NRS X FLANGED OSY		
2-1/2"	212-450NRSOSY	4,558.00
3"	3-450NRSOSY	4,787.00
4"	4-450NRSOSY	6,009.00
6"	6-450NRSOSY	8,512.00
8"	8-450NRSOSY	15,379.00
10"	10-450NRSOSY	24,664.00

SIZE	LEAD-FREE PART NUMBER	LEAD-FREE LIST PRICE EA.
450NRSPI: FLANGED NRS X FLANGED PI		
2-1/2"	212-450NRSPI	4,558.00
3"	3-450NRSPI	4,787.00
4"	4-450NRSPI	6,009.00
6"	6-450NRSPI	8,512.00
8"	8-450NRSPI	15,379.00
10"	10-450NRSPI	24,664.00

SIZE	LEAD-FREE PART NUMBER	LEAD-FREE LIST PRICE EA.
450NRSBFG: FLANGED NRS X GROOVED BG (TAMPURED BUTTERFLY VALVE)		
4"	4-450NRSBFG	6,322.00
6"	6-450NRSBFG	8,957.00
8"	8-450NRSBFG	16,182.00
10"	10-450NRSBFG	25,401.00

For grooved options, part number will be designated using "GF", "FG" or "G" (e.g. 212-450NRSPIFG, 4-450NRSPIGF, 10-450NRSPIG).

SIZE	LEAD-FREE PART NUMBER	LEAD-FREE LIST PRICE EA.
450OSY & PI SHUT-OFF VALVE COMBINATIONS		
2-1/2" - 10"		Use OSY Pricing

For grooved options, part number will be designated using "GF", "FG" or "G" (e.g. 212-450PIOSYFG, 4-450OSYPIGF, 10-450OSYPIG).

SIZE	LEAD-FREE PART NUMBER	LEAD-FREE LIST PRICE EA.
450OSYBFG: FLANGED OSY X GROOVED BG (TAMPURED BUTTERFLY VALVE)		
4"	4-450OSYBFG	6,515.00
6"	6-450OSYBFG	9,270.00
8"	8-450OSYBFG	16,707.00
10"	10-450OSYBFG	25,628.00

SIZE	LEAD-FREE PART NUMBER	LEAD-FREE LIST PRICE EA.
450PIBFG: FLANGED PI X GROOVED BG (TAMPURED BUTTERFLY VALVE)		
4"	4-450PIBFG	6,515.00
6"	6-450PIBFG	9,270.00
8"	8-450PIBFG	16,707.00
10"	10-450PIBFG	25,628.00

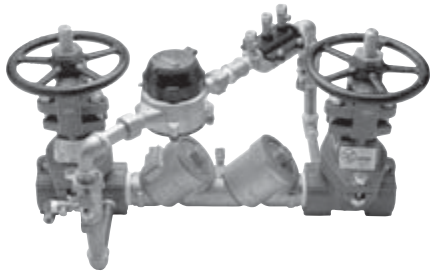
For grooved options, part number will be designated using "GF", "FG" or "G" (e.g. 4-450OSYBFG, 6-450OSYBFG, 10-450OSYBFG).

SIZE	LEAD-FREE PART NUMBER	LEAD-FREE LIST PRICE EA.
450L: LESS GATE VALVES (FLANGED END BODY CONNECTIONS)		
2-1/2"	212-450L	3,388.00
3"	3-450L	3,388.00

SIZE	LEAD-FREE PART NUMBER	LEAD-FREE LIST PRICE EA.
450L: LESS GATE VALVES (GROOVED END BODY CONNECTIONS)		
4"	4-450L	3,783.00
6"	6-450L	5,838.00
8"	8-450L	11,290.00
10"	10-450L	16,894.00

Part number will be designated using "L" (e.g. 4-450L, 6-450L, 10-450L).

950XLTA SERIES – DOUBLE CHECK DETECTOR ASSEMBLY



SIZE	OPTIONS	LEAD-FREE EXEMPT PART NUMBER	LEAD-FREE EXEMPT LIST PRICE EA.
950XLTA: FNPT OSY X FNPT OSY			
2"	GPM Meter	2-950XLTA	6,173.00
2"	CFM Meter 2-950XLTDACFM	2-950XLTDACF	6,173.00
2"	SCFM Meter 2-950XLTDASCFM	2-950XLTDASCF	6,360.00
2"	Less Meter 2-950XLTDALM	2-950XLTDAL	5,753.00
950XLTDABF: FNPT BF X FNPT BF (BUTTERFLY VALVES)			
2"	GPM Meter		3,572.00
2"	CFM Meter		3,571.00
2"	SCFM Meter		3,758.00
950XLTDABFSS: FNPT BF X FNPT BF, SUPERVISORY SWITCH (TAMPERED BUTTERFLY VALVES)			
2"	GPM Meter	2-950XLTDABFSS	3,921.00
2"	CFM Meter 2-950XLTDABFSSCFM	2-950XLTDABFSSCF	3,921.00
2"	SCFM Meter 2-950XLTDABFSSCFM	2-950XLTDABFSSCF	4,108.00
2"	Less Meter 2-950XLTDABFSSLM	2-950XLTDABFSSL	3,501.00
950XLTA: OVAL METER FLANGE X OVAL METER FLANGE			
2"	GPM Meter	2-950XLTA	2,811.00
2"	CFM Meter 2-950XLTAFCFM	2-950XLTAFCF	2,952.00
2"	SCFM Meter 2-950XLTAFCFM	2-950XLTAFCF	2,998.00
2"	Less Meter 2-950XLTAFLM	2-950XLTAFL	2,390.00
950XLTA: MNPT X MNPT, LESS SHUT-OFF VALVES			
2"	GPM Meter	2-950XLTA	2,240.00

APPLICATIONS

Double Check Detector Assembly for residential and light commercial Fire Protection Systems.

FEATURES

- Available in 2" only
- 175 psi max
- 180°F max
- The by-pass assembly consists of a water meter (gallons standard) in series with a double check backflow preventer
- Bronze body construction

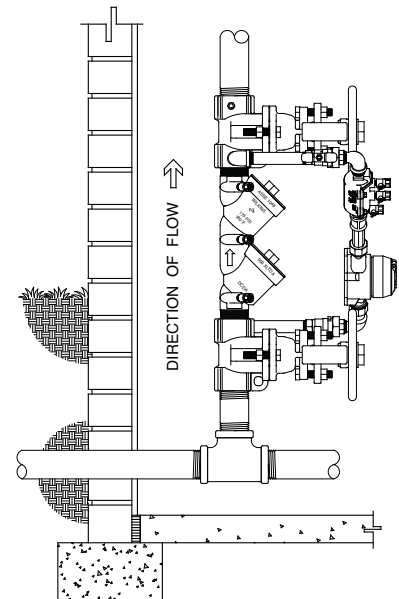
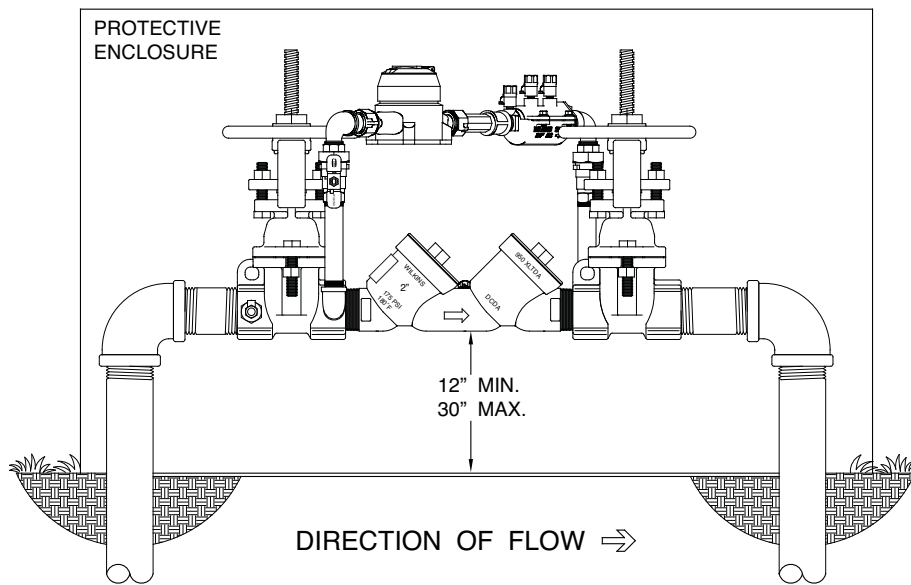
APPROVALS AND APPLICABLE STANDARDS

- Approved by the Foundation for Cross-Connection Control and Hydraulic Research at the University of Southern California
- ASSE® Listed 1048, UL® Classified, C-UL® Classified

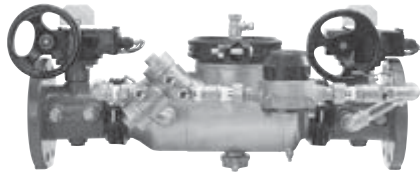
ACCESSORIES

- OS&Y gate valve supervisory switch (OSY-40)
- Quick test set (QT-SET)
- Repair kits

TYPICAL INSTALLATION



350ASTDA SERIES – DOUBLE CHECK DETECTOR ASSEMBLY WITH STAINLESS STEEL BODY



APPLICATIONS

Fire protection double check detector constructed around a corrosion resistant, stainless steel body. Used in low health hazard applications.

FEATURES

- 2-1/2" - 10"
- 175 psi max
- 140°F max
- Grooved or flanged end connections
- Improved Compound Check design
- Lower maintenance costs from corrosion resistance of stainless body

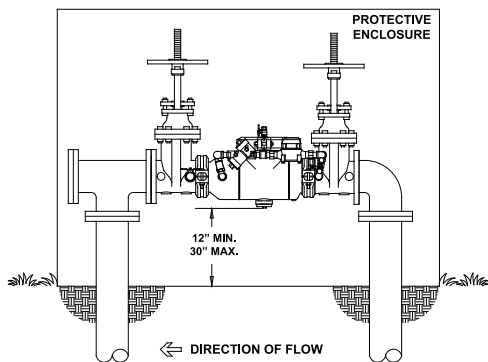
APPROVALS AND APPLICABLE STANDARDS

- Approved by the Foundation for Cross Connection Control and Hydraulic Research at the University of Southern California
- ASSE® Listed 1048, AWWA Compliant C510 (with gates only) and C550, UL® Classified, C-UL® Classified, FM® Approved, CSA® Certified B64.5
- Certified to NSF/ANSI 61 and 372

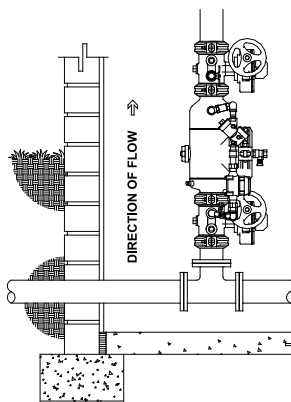
ACCESSORIES

- Repair kit (rubber only)
- Thermal expansion tank (Model XT)
- OS&Y Gate valve tamper switch (OSY-40)
- Available with CFM water meter (5/8" x 3/4")

TYPICAL INSTALLATION



ZURN WILKINS MODEL 350ASTDA
OUTDOOR HORIZONTAL INSTALLATION



ZURN WILKINS MODEL 350ASTDABG
INDOOR VERTICAL INSTALLATION

SIZE	LEAD-FREE PART NUMBER	LEAD-FREE LIST PRICE EA.
350ASTDA: FLANGED OSY X FLANGED OSY		
2-1/2"	212-350ASTDA	5,306.00
3"	3-350ASTDA	5,566.00
4"	4-350ASTDA	6,910.00
6"	6-350ASTDA	9,976.00
8"	8-350ASTDA	17,113.00
10"	10-350ASTDA	23,300.00

For grooved options, part number will be designated using "GF", "FG" or "G" (e.g. 212-350ADAFG, 4-350ADAGF, 10-350ADAG).

SIZE	LEAD-FREE PART NUMBER	LEAD-FREE LIST PRICE EA.
350ASTDAPI: FLANGED PI X FLANGED PI		
2-1/2"	212-350ASTDAPI	5,306.00
3"	3-350ASTDAPI	5,566.00
4"	4-350ASTDAPI	6,910.00
6"	6-350ASTDAPI	9,976.00
8"	8-350ASTDAPI	17,113.00
10"	10-350ASTDAPI	23,300.00

For grooved options, part number will be designated using "GF", "FG" or "G" (e.g. 212-350ASTDAPIFG, 4-350ASTDAPIGF, 10-350ASTDAPIG).

SIZE	LEAD-FREE PART NUMBER	LEAD-FREE LIST PRICE EA.
350ASTDABG: GROOVED BG X GROOVED BG (TAMPED BUTTERFLY VALVES)		
2-1/2"	212-350ASTDABG	5,669.00
3"	3-350ASTDABG	6,066.00
4"	4-350ASTDABG	7,607.00
6"	6-350ASTDABG	10,983.00
8"	8-350ASTDABG	18,842.00
10"	10-350ASTDABG	26,003.00

SIZE	LEAD-FREE PART NUMBER	LEAD-FREE LIST PRICE EA.
350ASTDABF: FLANGED BF X FLANGED BF (TAMPED BUTTERFLY VALVES)		
2-1/2"	212-350ASTDABF	5,821.00
3"	3-350ASTDABF	6,317.00
4"	4-350ASTDABF	7,934.00
6"	6-350ASTDABF	11,400.00
8"	8-350ASTDABF	19,279.00
10"	10-350ASTDABF	26,468.00

SIZE	LEAD-FREE PART NUMBER	LEAD-FREE LIST PRICE EA.
350ASTDABFG: FLANGED BF X GROOVED BG (TAMPED BUTTERFLY VALVES)		
2-1/2"	212-350ASTDABFG	5,745.00
3"	3-350ASTDABFG	6,191.00
4"	4-350ASTDABFG	7,771.00
6"	6-350ASTDABFG	11,191.00
8"	8-350ASTDABFG	19,060.00
10"	10-350ASTDABFG	26,236.00

SIZE	LEAD-FREE LIST PRICE EA.
350ASTDA WITH OSY & PI SHUT-OFF VALVE COMBINATIONS	
2-1/2"-10"	Use OSY Pricing

For grooved options, part number will be designated using "GF", "FG" or "G" (e.g. 212-350ASTDAPIOSYFG, 4-350ASTDAOSYPIGF, 10-350ASTDAOSYPIG).

SIZE	LEAD-FREE PART NUMBER	LEAD-FREE LIST PRICE EA.
350ASTDAOSYBFG: FLANGED OSY X GROOVED BG (TAMPED BUTTERFLY VALVES)		
2-1/2"	212-350ASTDAOSYBFG	5,488.00
3"	3-350ASTDAOSYBFG	5,816.00
4"	4-350ASTDAOSYBFG	7,326.00
6"	6-350ASTDAOSYBFG	10,576.00
8"	8-350ASTDAOSYBFG	18,144.00
10"	10-350ASTDAOSYBFG	24,651.00

SIZE	LEAD-FREE PART NUMBER	LEAD-FREE LIST PRICE EA.
350ASTDAPIBFG: FLANGED PI X GROOVED BG (TAMPED BUTTERFLY VALVE)		
2-1/2"	212-350ASTDAPIBFG	5,488.00
3"	3-350ASTDAPIBFG	5,816.00
4"	4-350ASTDAPIBFG	7,326.00
6"	6-350ASTDAPIBFG	10,576.00
8"	8-350ASTDAPIBFG	18,144.00
10"	10-350ASTDAPIBFG	24,651.00

SIZE	LEAD-FREE PART NUMBER	LEAD-FREE LIST PRICE EA.
350ASTDAPIBFG: FLANGED PI X GROOVED BG (TAMPED BUTTERFLY VALVE)		
2-1/2"	212-350ASTDAPIBFG	5,488.00
3"	3-350ASTDAPIBFG	5,816.00
4"	4-350ASTDAPIBFG	7,326.00
6"	6-350ASTDAPIBFG	10,576.00
8"	8-350ASTDAPIBFG	18,144.00
10"	10-350ASTDAPIBFG	24,651.00

For grooved options, part number will be designated using "GF", "FG" or "G" (e.g. 212-350ASTDAOSYBFG, 4-350ASTDABOSYGF, 10-350ASTDAPIBG).

SIZE	LEAD-FREE LIST PRICE EA.
OPTIONS AND LIST PRICE ADDERS (ADD OPTION TO LIST PRICE TO DETERMINE TOTAL LIST PRICE)	

SIZE	LEAD-FREE LIST PRICE EA.
CUBIC FEET METER (CFM) OPTION	
2-1/2" - 10"	No Charge

Part number will be designated using "CFM" (e.g. 212-350ASTDACFM, 4-350ASTDACFMBG, 10-350ASTDACFMOSYPIG).

SIZE	LEAD-FREE LIST PRICE EA.
SENSUS CUBIC FEET METER (SCFM) OPTION	
2-1/2" - 10"	186.00

Part number will be designated using "SCFM" (e.g. 212-350ASTDASC FM, 4-350ASTDASC FMBG, 10-350ASTDASC FMOSYPIG).

SIZE	LEAD-FREE LIST PRICE EA.
300AR SERIES - REPLACEMENT BACKFLOW ASSEMBLY (2-1/2" - 10")	

Custom length Double Check Valve Assembly for drop in replacements. Stainless steel grooved x grooved spool installed between the backflow valve and the outlet shut-off valve. Can be used with 350 Series and 375 Series grooved body models. For replacement of longer lay-length backflow preventers.

350ASTDAR list price adder to be added to list price of the 350ASTDA to determine total list price.

See order form and product specification sheet on the website for details and options.

SIZE	INLET X OUTLET CONNECTIONS / OPTIONS	LEAD-FREE LIST PRICE ADDER EA.
2-1/2"	Length Range "A": Up to 47-1/8"	545.00
3"	Length Range "A": Up to 48-1/8"	567.00
4"	Length Range "A": Up to 50"	657.00
4"	Length Range "B": Up to 62-1/4"	759.00
6"	Length Range "A": Up to 59"	877.00
6"	Length Range "B": Up to 71-1/4"	1,021.00
8"	Length Range "A": Up to 74"	1,173.00
8"	Length Range "B": Up to 86"	1,363.00
10"	Length Range "A": Up to 77"	1,422.00
10"	Length Range "B": Up to 89"	1,677.00
10"	Length Range "C": Up to 100-5/8"	1,931.00

Part number will be designated using "350ASTDAR-X", where X = the Length Range (e.g. 212-350ASTDAR-A, 4-350ASTDAR-B, 10-350ASTDAR-C).

350ADA/350DA SERIES – DOUBLE CHECK DETECTOR ASSEMBLY



APPLICATIONS

Ideal for fire protection applications. Epoxy coated, ductile iron Zurn Wilkins 350 series Double Check Valve Assembly with integral by-pass consisting of a water meter in series with a double check backflow preventer.

FEATURES

- 350ADA: 2-1/2" - 10"
- 350DA: 2-1/2" - 12" [flanged body]
- 175 psi max
- 140°F max
- Resilient wedge OS&Y gate valves standard
- Epoxy-coated ductile iron body
- Modular check design

APPROVALS AND APPLICABLE SPECIFICATIONS

- Approved by the Foundation for Cross-Connection Control and Hydraulic Research at the University of Southern California (2-1/2" - 10" 350ADA/350DA, 12" 350DA)
- ASSE® Listed 1048, UL® Classified, C-UL® Classified, FM® Approved, CSA® Classified, AWWA Compliant
- 12" UL classified (horizontal only)
- Certified to NSF/ANSI 61 and 372

ACCESSORIES

- OS&Y gate valve supervisory switch (OSY-40)
- Available with CFM water meter (5/8" x 3/4")
- Repair kit

TYPICAL INSTALLATION

See next page

SIZE	LEAD-FREE PART NUMBER	LEAD-FREE LIST PRICE EA.
350ADA (GROOVED BODY): FLANGED OSY X FLANGED OSY		
2-1/2"	212-350ADA	5,306.00
3"	3-350ADA	5,566.00
4"	4-350ADA	6,910.00
6"	6-350ADA	9,976.00
8"	8-350ADA	17,113.00
10"	10-350ADA	23,300.00

For grooved options, part number will be designated using "GF", "FG" or "G" (e.g. 212-350ADAFG, 4-350ADAGF, 10-350ADAG).

SIZE	LEAD-FREE PART NUMBER	LEAD-FREE LIST PRICE EA.
350ADAPI (GROOVED BODY): FLANGED PI X FLANGED PI		
2-1/2"	212-350ADAPI	5,306.00
3"	3-350ADAPI	5,566.00
4"	4-350ADAPI	6,910.00
6"	6-350ADAPI	9,976.00
8"	8-350ADAPI	17,113.00
10"	10-350ADAPI	23,300.00

For grooved options, part number will be designated using "GF", "FG" or "G" (e.g. 212-350ADAPIFG, 4-350ADAPIGF, 10-350ADAPIG).

SIZE	LEAD-FREE PART NUMBER	LEAD-FREE LIST PRICE EA.
350ADABG (GROOVED BODY): GROOVED BG X GROOVED BG (TAMPED BUTTERFLY VALVES)		
2-1/2"	212-350ADABG	5,669.00
3"	3-350ADABG	6,066.00
4"	4-350ADABG	7,607.00
6"	6-350ADABG	10,983.00
8"	8-350ADABG	18,842.00
10"	10-350ADABG	26,003.00

SIZE	LEAD-FREE PART NUMBER	LEAD-FREE LIST PRICE EA.
350ADABF (GROOVED BODY): FLANGED BF X FLANGED BF (TAMPED BUTTERFLY VALVE)		
2-1/2"	212-350ADABF	5,821.00
3"	3-350ADABF	6,317.00
4"	4-350ADABF	7,934.00
6"	6-350ADABF	11,400.00
8"	8-350ADABF	19,279.00
10"	10-350ADABF	26,469.00

SIZE	LEAD-FREE PART NUMBER	LEAD-FREE LIST PRICE EA.
350ADABFG (GROOVED BODY): FLANGED BF X GROOVED BG (TAMPED BUTTERFLY VALVE)		
2-1/2"	212-350ADABFG	5,745.00
3"	3-350ADABFG	6,191.00
4"	4-350ADABFG	7,771.00
6"	6-350ADABFG	11,191.00
8"	8-350ADABFG	19,060.00
10"	10-350ADABFG	26,236.00

SIZE	LEAD-FREE LIST PRICE EA.
350ADA OSY & PI SHUT-OFF VALVE COMBINATIONS	
2-1/2"-10"	Use OSY Pricing

For grooved options, part number will be designated using "GF", "FG" or "G" (e.g. 212-350ADAPIOSYFG, 4-350ADAOSYPIGF, 10-350ADAOSYPIG).

SIZE	LEAD-FREE PART NUMBER	LEAD-FREE LIST PRICE EA.
350ADAOSYBFG (GROOVED BODY): FLANGED OSY X GROOVED BG (TAMPED BUTTERFLY VALVE)		
2-1/2"	212-350ADAOSYBFG	5,488.00
3"	3-350ADAOSYBFG	5,816.00
4"	4-350ADAOSYBFG	7,326.00
6"	6-350ADAOSYBFG	10,576.00
8"	8-350ADAOSYBFG	18,144.00
10"	10-350ADAOSYBFG	24,651.00

SIZE	LEAD-FREE PART NUMBER	LEAD-FREE LIST PRICE EA.
350ADAPIBFG (GROOVED BODY): FLANGED PI X GROOVED BG (TAMPED BUTTERFLY VALVE)		
2-1/2"	212-350ADAPIBFG	5,488.00
3"	3-350ADAPIBFG	5,816.00
4"	4-350ADAPIBFG	7,326.00
6"	6-350ADAPIBFG	10,576.00
8"	8-350ADAPIBFG	18,144.00
10"	10-350ADAPIBFG	24,651.00

For grooved options, part number will be designated using "GF", "FG" or "G" (e.g. 212-350ADAOSYBFG, 4-350ADAPIBFG, 10-350ADAPIBFG).

SIZE	LEAD-FREE PART NUMBER	LEAD-FREE LIST PRICE EA.
350ADAL (GROOVED BODY): LESS SHUT-OFF VALVES		
2-1/2"	212-350ADAL	3,073.00
3"	3-350ADAL	3,333.00
4"	4-350ADAL	4,677.00
6"	6-350ADAL	6,846.00
8"	8-350ADAL	12,211.00
10"	10-350ADAL	16,431.00

Part number will be designated using "L" (e.g. 212-350ADAL, 4-350ADALCFM, 10-350ADALSFCM).

OPTIONS AND LIST PRICE ADDERS (ADD OPTION TO LIST PRICE TO DETERMINE TOTAL LIST PRICE)

300AR SERIES - REPLACEMENT BACKFLOW ASSEMBLY (2-1/2" - 10")

Custom length Double Check Valve Assembly for drop in replacements. Stainless steel grooved x grooved spool installed between the backflow valve and the outlet shut-off valve. Can be used with 350 Series and 375 Series grooved body models. For replacement of longer lay-length backflow preventers.

350ADAR list price adder to be added to list price of the 350ADA to determine total list price.

See order form and product specification sheet on the website for details and options.

SIZE	INLET X OUTLET CONNECTIONS / OPTIONS	LEAD-FREE LIST PRICE ADDER EA.
2-1/2"	Length Range "A": Up to 47-1/8"	545.00
3"	Length Range "A": Up to 48-1/8"	567.00
4"	Length Range "A": Up to 50"	657.00
4"	Length Range "B": Up to 62-1/4"	759.00
6"	Length Range "A": Up to 59"	877.00
6"	Length Range "B": Up to 71-1/4"	1,021.00
8"	Length Range "A": Up to 74"	1,173.00
8"	Length Range "B": Up to 86"	1,363.00
10"	Length Range "A": Up to 77"	1,422.00
10"	Length Range "B": Up to 89"	1,677.00
10"	Length Range "C": Up to 100-5/8"	1,931.00

Part number will be designated using "350ADAR-X", where X = the Length Range (e.g. 212-350ADAR-A, 4-350ADAR-B, 10-350ADAR-C).

350ADA/350DA SERIES – DOUBLE CHECK DETECTOR ASSEMBLY (CONTINUED)

SIZE	LEAD-FREE PART NUMBER	LEAD-FREE LIST PRICE EA.
350DA (FLANGED BODY): FLANGED OSY X FLANGED OSY		
2-1/2"	212-350DA	5,149.00
3"	3-350DA	5,390.00
4"	4-350DA	6,910.00
6"	6-350DA	9,976.00
8"	8-350DA	17,113.00
10"	10-350DA	23,300.00
12"	12IN-350DA	33,342.00

For grooved options, part number will be designated using "GF", "FG" or "G" (e.g. 212-350DAFG, 4-350DAGF, 10-350DAG).

SIZE	LEAD-FREE PART NUMBER	LEAD-FREE LIST PRICE EA.
350DAPI (FLANGED BODY): FLANGED PI X FLANGED PI		
2-1/2"	212-350DAPI	5,149.00
3"	3-350DAPI	5,390.00
4"	4-350DAPI	6,910.00
6"	6-350DAPI	9,976.00
8"	8-350DAPI	17,113.00
10"	10-350DAPI	23,300.00
12"	12IN-350DAPI	33,342.00

For grooved options, part number will be designated using "GF", "FG" or "G" (e.g. 212-350DAPIFG, 4-350DAPIGF, 10-350DAPIG).

SIZE	LEAD-FREE PART NUMBER	LEAD-FREE LIST PRICE EA.
350DA (FLANGED BODY): OSY & PI SHUT-OFF VALVE COMBINATIONS		
2-1/2" - 12"		Use OSY Pricing

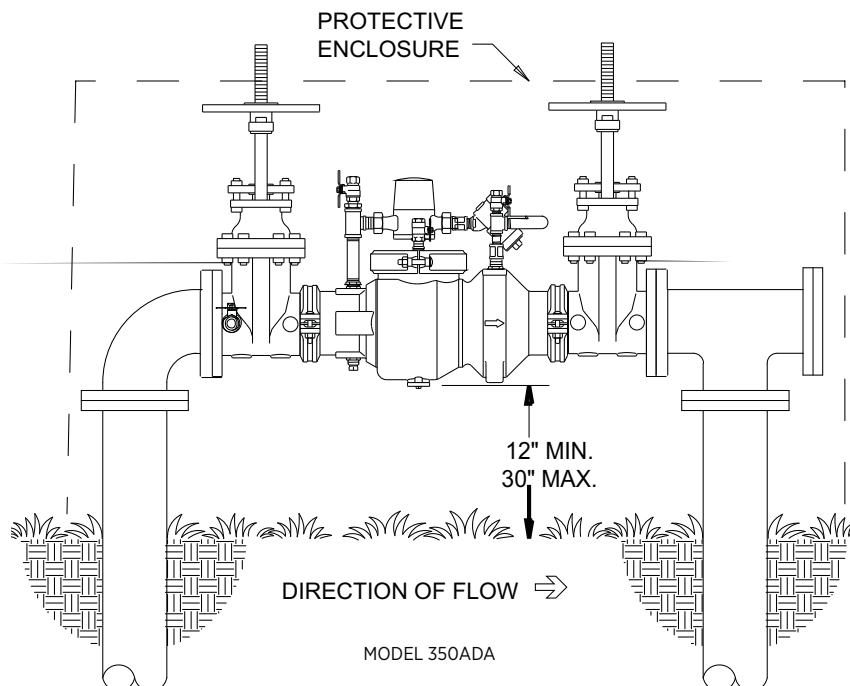
For grooved options, part number will be designated using "GF", "FG" or "G" (e.g. 212-350DAPIOSYFG, 4-350DAOSYPIGF, 10-350DAOSYPIG).

SIZE	LEAD-FREE PART NUMBER	LEAD-FREE LIST PRICE EA.
350DAL (FLANGED BODY): LESS SHUT-OFF VALVES		
2-1/2"	212-350DAL	3,260.00
3"	3-350DAL	3,261.00
4"	4-350DAL	4,677.00
6"	6-350DAL	6,846.00
8"	8-350DAL	12,211.00
10"	10-350DAL	16,431.00
12"	12IN-350DAL	20,607.00

Part number will be designated using "L" (e.g. 212-350DAL, 4-350DALCFM, 10-350DALSCFM).

SIZE	LEAD-FREE LIST PRICE EA.
OPTIONS AND LIST PRICE ADDERS (ADD OPTION TO LIST PRICE TO DETERMINE TOTAL LIST PRICE)	
CUBIC FEET METER (CFM) OPTION	
2-1/2" - 12"	No Charge
Part number will be designated using "CFM" (e.g. 212-350DACFM, 4-350DACFMFG, 10-350DACFMOSYPIG).	
SENSUS CUBIC FEET METER (SCFM) OPTION	
2-1/2" - 12"	186.00
Part number will be designated using "SCFM" (e.g. 212-350DASC FM, 4-350DASC FMFG, 10-350DASC FMOSYPIG).	
LESS METER (LM) OPTION	
2-1/2" - 12"	(292.00)
Part number will be designated using "LM" (e.g. 212-350DALM, 4-350DALMFG, 10-350DALMOSYPIG).	

TYPICAL INSTALLATION



For additional product information, please visit www.zurn.com.

450STDA SERIES – DOUBLE CHECK DETECTOR ASSEMBLY WITH STAINLESS STEEL BODY



SIZE	LEAD-FREE PART NUMBER	LEAD-FREE LIST PRICE EA.
450STDA: FLANGED OSY X FLANGED OSY		
4"	4-450STDA	8,382.00
6"	6-450STDA	11,838.00
8"	8-450STDA	20,854.00
10"	10-450STDA	33,129.00
450STDAR: FLANGED OSY X FLANGED OSY REPLACEMENT BACKFLOW		
4"	4-450STDAR	8,382.00
6"	6-450STDAR	11,838.00
8"	8-450STDAR	20,854.00
10"	10-450STDAR	33,129.00

APPLICATIONS

Designed for drop in replacement of competitor valves and new installation on water lines in fire protection systems to protect against both backsiphonage and backpressure of polluted water into the potable water supply. Model 450STDA shall provide protection in a low hazard health application. Incorporates metered by-pass to detect leaks and unauthorized water use.

FEATURES

- 4" - 10"
- 175 psi max
- 140°F max
- n-Pattern space saving design
- Stainless steel body
- Direct drop in replacement of competitor valves
- The by-pass assembly consists of a water meter in series with a reduced pressure principle backflow preventer

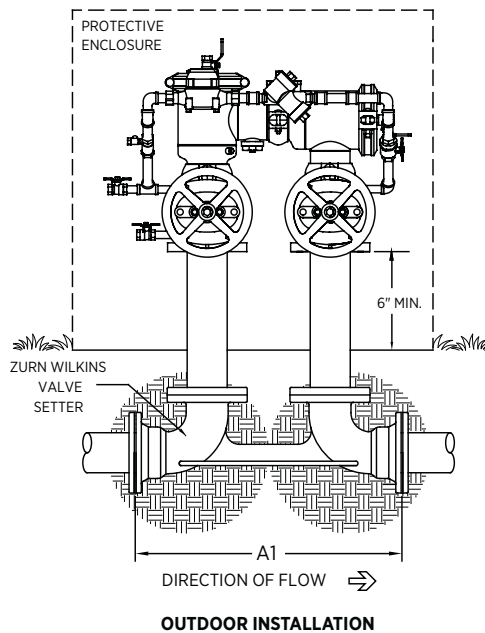
APPROVALS AND APPLICABLE STANDARDS

- Foundation for Cross-Connection Control and Hydraulic Research at the University of Southern California (pending, see www.zurn.com for current information)
- ASSE® Listed 1013, UL® Classified, FM® Approved, UL® Classified, CSA® Certified, AWWA Compliant C511 (with gates only), and C550
- Certified to NSF/ANSI 61

ACCESSORIES

- Air gap (Model AG)
- Valve setter (Model FLSST or MJSST or MJFSST)
- OS&Y gate valve supervisory switch (OSY-40)

TYPICAL INSTALLATION



450DA SERIES – DOUBLE CHECK DETECTOR ASSEMBLY



APPLICATIONS

A large diameter Double Check Detector Assembly for low health hazard fire applications. Excellent for new or retrofit installations in tight locations.

FEATURES

- 4", 6", 8", 10"
- 175 psi max
- 140°F max
- n-Pattern space saving design
- OS&Y gate valves standard
- Epoxy coated ductile iron body
- Utilizes a patented center-stem guided Compound Check closure

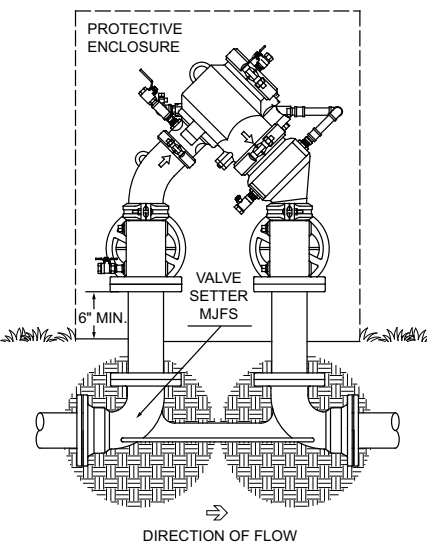
APPROVALS AND APPLICABLE SPECIFICATIONS

- Approved by the Foundation for Cross-Connection Control and Hydraulic Research at the University of Southern California
- ASSE® Listed 1048, UL® Classified, FM® Approved, C-UL® Classified, AWWA Compliant, CSA® Certified
- Certified to NSF/ANSI 61 and 372

ACCESSORIES

- Valve setter (Model FLS or MJS or MJFS)
- OS&Y gate valve supervisory switch (OSY-40)
- Quick test set (QT-SET)
- Available with CFM water meter (5/8" x 3/4")
- Repair kits

TYPICAL INSTALLATION



SIZE	LEAD-FREE PART NUMBER	LEAD-FREE LIST PRICE EA.
450DA: FLANGED X FLANGED OS&Y GATE VALVES		
4"	4-450DA	7,208.00
6"	6-450DA	10,238.00
8"	8-450DA	17,812.00
10"	10-450DA	28,438.00

For grooved options, part number will be designated using "GF", "FG" or "G" (e.g. 4-450DAFG, 6-450DAGF, 10-450DAPIG).

SIZE	LEAD-FREE PART NUMBER	LEAD-FREE LIST PRICE EA.
450DAPI: FLANGED PI X FLANGED PI		
4"	4-450DAPI	7,207.00
6"	6-450DAPI	10,238.00
8"	8-450DAPI	17,812.00
10"	10-450DAPI	28,438.00

For grooved options, part number will be designated using "GF", "FG" or "G" (e.g. 4-450DAPIFG, 6-450DAPIGF, 10-450DAPIG).

SIZE	LEAD-FREE PART NUMBER	LEAD-FREE LIST PRICE EA.
450DABG: GROOVED BG X GROOVED BG (TAMPED BUTTERFLY VALVE)		
4"	4-450DABG	7,935.00
6"	6-450DABG	11,272.00
8"	8-450DABG	19,610.00
10"	10-450DABG	30,236.00

SIZE	LEAD-FREE PART NUMBER	LEAD-FREE LIST PRICE EA.
450DABF: FLANGED BF X FLANGED BF (TAMPED BUTTERFLY VALVE)		
4"	4-450DABF	8,261.00
6"	6-450DABF	11,358.00
8"	8-450DABF	20,047.00
10"	10-450DABF	30,702.00

SIZE	LEAD-FREE PART NUMBER	LEAD-FREE LIST PRICE EA.
450DABFG: FLANGED BF X GROOVED BG (TAMPED BUTTERFLY VALVE)		
4"	4-450DABFG	8,098.00
6"	6-450DABFG	11,480.00
8"	8-450DABFG	19,829.00
10"	10-450DABFG	30,469.00

SIZE	LEAD-FREE PART NUMBER	LEAD-FREE LIST PRICE EA.
450DA OSY & PI SHUT-OFF VALVE COMBINATIONS		
4" - 10"		Use OSY Pricing

For grooved options, part number will be designated using "GF", "FG" or "G" (e.g. 4-450DAPIOSYFG, 6-450DAOSYPIGF, 10-450DAOSYPIG).

SIZE	LEAD-FREE PART NUMBER	LEAD-FREE LIST PRICE EA.
450DAOSYBFG: FLANGED OSY X GROOVED BG (TAMPED BUTTERFLY VALVE)		
4"	4-450DAOSYBFG	7,571.00
6"	6-450DAOSYBFG	10,755.00
8"	8-450DAOSYBFG	18,711.00

SIZE	LEAD-FREE PART NUMBER	LEAD-FREE LIST PRICE EA.
450DAPIBFG: FLANGED PI X GROOVED BG (TAMPED BUTTERFLY VALVE)		
4"	4-450DAPIBFG	7,571.00
6"	6-450DAPIBFG	10,755.00
8"	8-450DAPIBFG	18,711.00

For grooved options, part number will be designated using "GF", "FG" or "G" (e.g. 4-450DAOSYBFG, 6-450DABOSYGF, 8-450DAPIBFG).

SIZE	LEAD-FREE PART NUMBER	LEAD-FREE LIST PRICE EA.
450DAL: GROOVED X GROOVED, LESS SHUT-OFF VALVES		
4"	4-450DAL	5,306.00
6"	6-450DAL	7,040.00
8"	8-450DAL	13,198.00
10"	10-450DAL	24,562.00

Part number will be designated using "L" (e.g. 4-450DAL, 6-450DALCFM, 10-450DALSCFM).

SIZE	LEAD-FREE PART NUMBER	LEAD-FREE LIST PRICE EA.
OPTIONS AND LIST PRICE ADDERS (ADD OPTION TO LIST PRICE TO DETERMINE TOTAL LIST PRICE)		
CUBIC FEET METER (CFM) OPTION		
4" - 10"		No Charge

Part number will be designated using "CFM" (e.g. 4-450DACFM, 6-450DACFMBG, 10-450DACFMOSYPIG).

SIZE	LEAD-FREE PART NUMBER	LEAD-FREE LIST PRICE EA.
SENSUS CUBIC FEET METER (SCFM) OPTION		
4" - 10"		186.00

Part number will be designated using "SCFM" (e.g. 4-450DASCfm, 6-450DASCfMBG, 10-450DASCfmOSYPIG).

SIZE	LEAD-FREE PART NUMBER	LEAD-FREE LIST PRICE EA.
LESS METER (LM) OPTION		
4" - 10"		(292.00)

Part number will be designated using "LM" (e.g. 4-450DALM, 6-450DALMBG, 10-450DALMOSYPIG).

375XL/375 SERIES – REDUCED PRESSURE PRINCIPLE ASSEMBLY



APPLICATIONS

A high level of protection in a small, modular package, the 375XL and 375 are the top of the line in backflow prevention assemblies. This patented, unique design allows for rapid commissioning and winterizing because the entire pressure vessel can be removed for line flushing.

FEATURES

- 1/2" - 2"
- 175 psi max
- 180°F max
- Short lay length – fits in smaller area
- Removable pressure vessel simplifies service and maintenance
- Composite housing and check modules resist corrosion

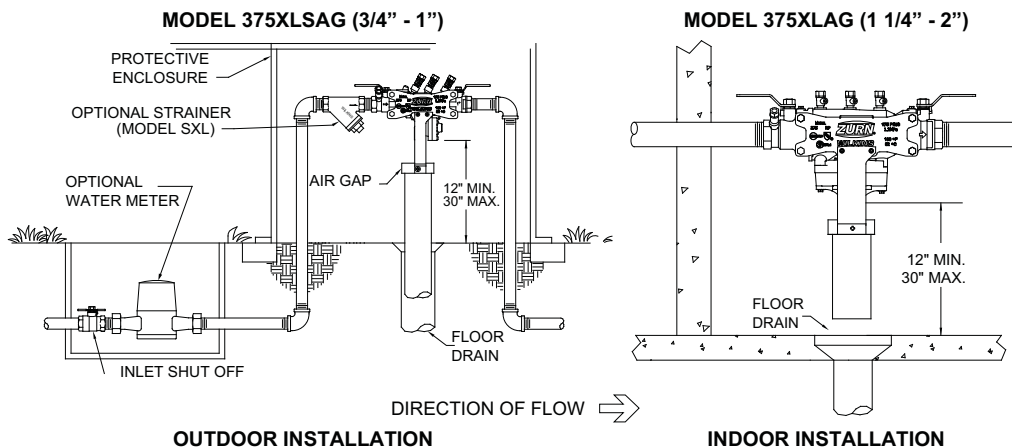
APPROVALS AND APPLICABLE SPECIFICATIONS

- Approved by the Foundation for Cross-Connection Control and Hydraulic Research at the University of Southern California
- ASSE® Listed 1013, IAPMO® Listed, CSA® Certified, AWWA compliant C511
- 375XL is certified to NSF/ANSI 61 and 372

ACCESSORIES

- Air gap (Model AG)
- Thermal expansion tank (Model XT)
- Soft seated check valve (Model 40XL2)
- Water hammer arrestor (Model I260XL)
- Flush Fitting Kit with Flush Fitting and Flush Hose (34-375FLUSH or 1-375FLUSH or 114-350-375FLUSH)
- Quick test set (QT-SET)
- Blow out / flush fitting (RK34-375BOF or RK1-375BOF or RK114-350-375BOF)
- Bronze wye strainer (Model SXL)
- Available with Z-Bite™ and Z-Press™ Solderless Connections

TYPICAL INSTALLATION



SIZE	LEAD-FREE PART NUMBER	LEAD-FREE LIST PRICE EA.	LEAD-FREE EXEMPT PART NUMBER	LEAD-FREE EXEMPT LIST PRICE EA.
375XL/375: FNPT X FNPT				
1/2"	12-375XL	745.00	12-375	648.00
3/4"	34-375XL	807.00	34-375	702.00
1"	1-375XL	870.00	1-375	757.00
1-1/4"	114-375XL	1,598.00	114-375	1,389.00
1-1/2"	112-375XL	1,752.00	112-375	1,523.00
2"	2-375XL	1,967.00	2-375	1,710.00
OPTIONS AND LIST PRICE ADDERS (ADD OPTION TO LIST PRICE TO DETERMINE TOTAL LIST PRICE)				
Fast-test test cocks (FT) option (e.g. 2-375XLFT), 1/2" through 1" USC Approved				
1/2" - 2"	No Charge			No Charge
BLOW-OUT/FLUSH FITTING (BOF) OPTION (E.G. 2-375XLBOF)				
1/2" - 3/4"	-	22.00	-	22.00
1"	-	25.00	-	25.00
1-1/4" - 2"	-	45.00	-	45.00
AIR GAP (AG) OPTION (E.G. 2-375XLAG)				
1/2" - 1"	AG Option, Composite Air Gap (AG-11)	86.00		86.00
1-1/4" - 2"	AG Option, Composite Air Gap (AG-12)	113.00		113.00
LEAD-FREE BRONZE WYE STRAINER (S) OPTION WITH NIPPLE (E.G. 2-375XLS)				
1/2"		75.00		-
3/4"		81.00		-
1"		95.00		-
1-1/4"		139.00		-
1-1/2"		189.00		-
2"		276.00		-
STREET ELBOWS (SE) OPTION (E.G. 2-375XLSE)				
1/2"		98.00		-
3/4"		114.00		-
1"		130.00		-
1-1/4"		175.00		-
1-1/2"		175.00		-
2"		219.00		-

375XLB SERIES – THEFT PREVENTION REDUCED PRESSURE PRINCIPLE ASSEMBLY



APPLICATIONS

Theft deterrent version of the 375XL, with durable black UV stabilized fusion epoxy coating applied to the exterior bronze. Ideal for high visibility outdoor irrigation, plumbing, and waterworks applications.

FEATURES

- 1/2" - 2"
- 175 psi max
- 180°F max
- Durable black UV stabilized fusion epoxy coating applied to the exterior bronze ball valves
- Stainless steel struts are uncoated
- Short lay length – fits in smaller area
- Removable pressure vessel eliminates the need of union connections
- Composite housing and check modules resist corrosion

APPROVALS AND APPLICABLE SPECIFICATIONS

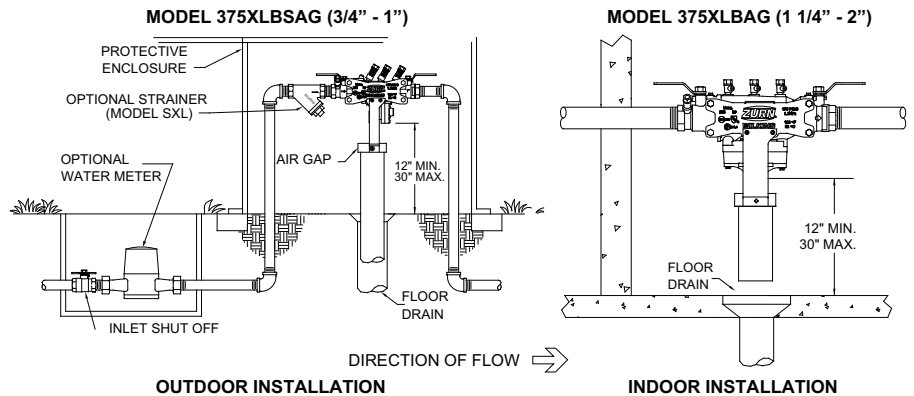
- Approved by the Foundation for Cross Connection Control and Hydraulic Research at the University of Southern California
- ASSE® Listed 1013, IAPMO® Listed, CSA® Certified B64.4, AWWA compliant C511
- UL® Classified, C-UL® Classified
- Certified to NSF/ANSI 61 and 372

ACCESSORIES

- Repair kits
- Thermal expansion tank (Model XT)
- Soft seated check valve (Model 40XL2)
- Water hammer arrester (Model 1260XL)
- QT-SET Quick Test Fitting Set
- Flush Fitting Kit with Flush Fitting and Flush Hose (34-375FLUSH or 1-375FLUSH or 114-350-375FLUSH)
- Blow out / Flush fitting (RK34-375BOF, RK1-375BOF or RK114-350-375BOF)
- Available with Z-Bite™ and Z-Press™ Solderless Connections
- Air gap (Model AG)
- SXL strainer

SIZE	LEAD-FREE PART NUMBER	LEAD-FREE LIST PRICE EA.
375XLB: FNPT X FNPT, BLACK ANTI-THEFT COATING		
1/2"	12-375XLB	843.00
3/4"	34-375XLB	905.00
1"	1-375XLB	975.00
1-1/4"	114-375XLB	1,735.00
1-1/2"	112-375XLB	1,908.00
2"	2-375XLB	2,150.00

TYPICAL INSTALLATION



BACKFLOW PREVENTERS

BACKFLOW PREVENTERS ACCESSORIES

STRAINERS

AUTOMATIC CONTROL VALVES

PRESSURE REDUCING VALVES

FIRE PROTECTION VALVES

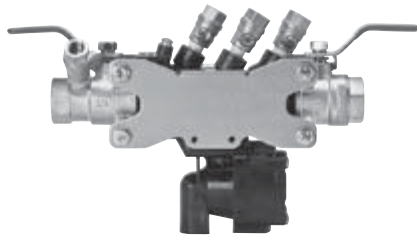
THERMOSTATIC MIXING VALVES

RELIEF VALVES

MISCELLANEOUS PLUMBING PRODUCTS

REPAIR KITS

375ST SERIES – STAINLESS STEEL REDUCED PRESSURE PRINCIPLE ASSEMBLY



SIZE	LEAD-FREE PART NUMBER	LEAD-FREE LIST PRICE EA.
375ST: FNPT X FNPT, STAINLESS STEEL		
1/2"	12-375ST	1,878.00
3/4"	34-375ST	2,237.00
1"	1-375ST	2,441.00

APPLICATIONS

The Reduced Pressure Principle Assembly for high hazard applications in corrosive environments, such as medical, food processing, distilleries, and brewery applications.

FEATURES

- 1/2" - 1"
- 175 psi max
- 180°F max
- Short lay length – fits in smaller area
- Plastic pressure vessel and stainless steel struts are corrosion resistant
- Removable pressure vessel simplifies service and maintenance

APPROVALS AND APPLICABLE SPECIFICATIONS

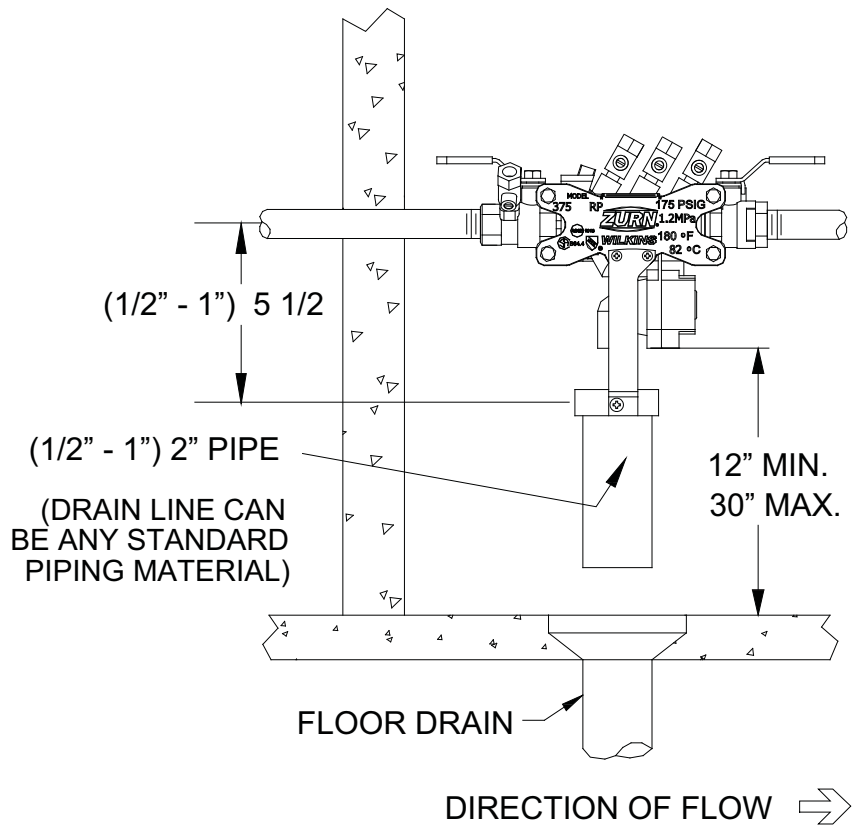
- Approved by the Foundation for Cross Connection Control and Hydraulic Research at the University of Southern California
- ASSE® Listed 1013, CSA B64.4
- Certified to NSF/ANSI 61 and 372

ACCESSORIES

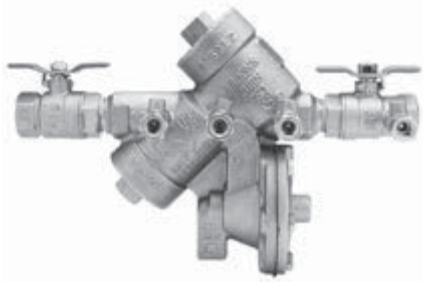
- Air gap (Model AG)
- Thermal expansion tank (Model XT)
- Quick test set (QT-SET)
- Flush Fitting Kit with Flush Fitting and Flush Hose (34-375FLUSH or 1-375FLUSH or 114-350-375FLUSH)
- Blow out / flush fitting (RK34-375BOF or RK1-375BOF or RK114-350-375BOF)
- Repair kit

TYPICAL INSTALLATION

375ST 1/2" - 1"



975XL2/975XL SERIES – REDUCED PRESSURE PRINCIPLE ASSEMBLY



APPLICATIONS

The 975XL2 provides high hazard backflow protection in all market segments.

FEATURES

- 1/4" - 1/2" [top access design]
- 3/4" - 2" [wye pattern design]
- 175 psi max
- 180°F max
- Individual access covers for ease of repair
- Bronze body construction
- Noryl® replaceable seats

APPROVALS AND APPLICABLE SPECIFICATIONS

- Approved by the Foundation for Cross Connection Control and Hydraulic Research at the University of Southern California
- ASSE® Listed 1013, IAPMO® Listed, CSA® Certified B64.4, AWWA compliant C511, UL® Classified, C-UL® Classified
- Model 975XL2 is certified to NSF/ANSI 61 and 372
- For complete list of approvals and applicable specifications by product, please visit zurn.com

ACCESSORIES

- Air gap (Model AG)
- Thermal expansion tank (Model XT)
- Soft seated check valve (Model 40XL2)
- Water hammer arrestor (Model 1260XL)
- Available with Z-Bite™ and Z-Press™ Solderless Connections
- SXL strainer
- Repair kits

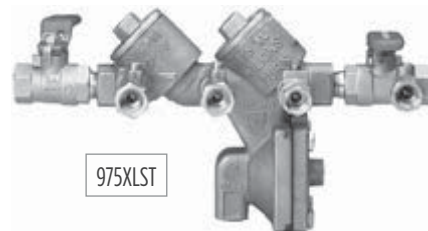
TYPICAL INSTALLATION

See next page

SIZE	LEAD-FREE PART NUMBER	LEAD-FREE LIST PRICE EA.	LEAD-FREE EXEMPT PART NUMBER	LEAD-FREE EXEMPT LIST PRICE EA.
975XL2/975XL: FNPT X FNPT				
1/4"	14-975XL2	736.00	-	-
3/8"	38-975XL2	753.00	-	-
1/2"	12-975XL2	873.00	-	-
3/4"	34-975XL2	947.00	34-975XL	823.00
1"	1-975XL2	1,020.00	1-975XL	887.00
1-1/4"	114-975XL2	1,873.00	114-975XL	1,629.00
1-1/2"	112-975XL2	2,054.00	112-975XL	1,786.00
2"	2-975XL2	2,306.00	2-975XL	2,005.00
975XL2U/975XLU: FNPT UNION X FNPT UNION				
3/4"	34-975XL2U	1,064.00	34-975XLU	925.00
1"	1-975XL2U	1,158.00	1-975XLU	1,007.00
1-1/4"	114-975XL2U	2,254.00	-	-
1-1/2"	112-975XL2U	2,297.00	-	-
2"	2-975XL2U	2,622.00	-	-
975XL2: FNPT X FNPT, LESS SHUT-OFF VALVES				
1/4"	14-975LXL2	668.00	-	-
3/8"	38-975LXL2	678.00	-	-
1/2"	12-975LXL2	660.00	-	-
975XL2/975LXL: MNPT X MNPT, LESS SHUT-OFF VALVES				
3/4"	34-975LXL2	821.00	34-975LXL	714.00
1"	1-975LXL2	840.00	1-975LXL	730.00
1-1/4"	114-975LXL2	1,490.00	114-975LXL	1,296.00
1-1/2"	112-975LXL2	1,546.00	112-975LXL	1,345.00
2"	2-975LXL2	1,579.00	2-975LXL	1,373.00
975XLBFB: FNPT BF X FNPT BF (TAMPURED BUTTERFLY VALVES), SUPERVISORY SWITCH				
1-1/4"	-	-	114-975XLBFBSS	3,129.00
1-1/2"	-	-	112-975XLBFBSS	3,496.00
2"	-	-	2-975XLBFBSS	3,965.00
975XLOS: FNPT OSY X FNPT OSY				
3/4"	-	-	34-975XLOS	2,115.00
1"	-	-	1-975XLOS	2,291.00
1-1/4"	-	-	114-975XLOS	2,689.00
1-1/2"	-	-	112-975XLOS	2,790.00
2"	-	-	2-975XLOS	3,792.00
975XLDFC: FIRE HOSE CONNECTIONS, 2-1/2" FEMALE NATIONAL HOSE THD SWIVEL X 2-1/2" MALE NATIONAL HOSE THD				
2"	-	-	2-975XLDFC	2,598.00
975XLD: MNPT X MNPT, LESS BALL VALVES, RPDA BY-PASS ASSEMBLY FOR 375DA, 375ADA, 375ASTDA, 475DA AND 475DAV				
3/4"	34-975XLD	757.00	-	-

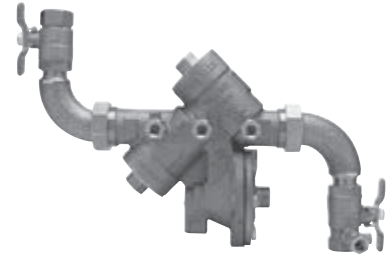
975XLST SERIES – STAINLESS STEEL REDUCED PRESSURE PRINCIPLE ASSEMBLY

SIZE	LEAD-FREE PART NUMBER	LEAD-FREE LIST PRICE EA.
975XLST: FNPT X FNPT, STAINLESS STEEL BODY		
3/8"	38-975XLST	2,981.00
1/2"	12-975XLST	2,984.00



975XL2/975XL SERIES – REDUCED PRESSURE PRINCIPLE ASSEMBLY (CONTINUED)

975XL2V / 975XL2SE / 975XL2SEU SERIES – REDUCED PRESSURE PRINCIPLE ASSEMBLY WITH 90° STREET ELBOW



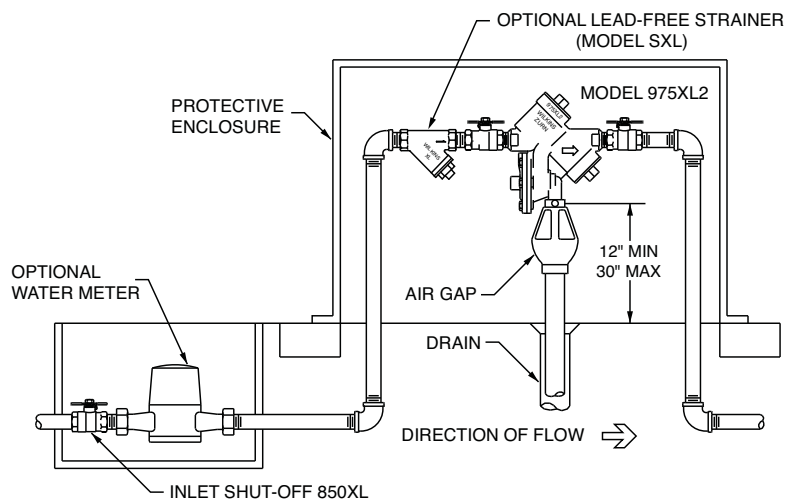
SIZE	LEAD-FREE PART NUMBER	LEAD-FREE LIST PRICE EA.
975XL2V: FNPT X FNPT, SWIVEL ELBOWS, STANDARD BALL VALVES		
3/4"	34-975XL2V	1,199.00
1"	1-975XL2V	1,325.00
975XL2SE: FNPT X FNPT, SWEEP ELBOWS, STANDARD BALL VALVES		
3/4"	34-975XL2SE	1,115.00
1"	1-975XL2SE	1,136.00
975XL2SEU: FNPT X FNPT, STREET ELBOWS, UNION BALL VALVES		
3/4"	34-975XL2SEU	1,224.00
1"	1-975XL2SEU	1,266.00
1-1/4"	114-975XL2SEU	2,354.00
1-1/2"	112-975XL2SEU	2,591.00
2"	2-975XL2SEU	3,070.00

See 975XL for available options.

OPTIONS AND LIST PRICE ADDERS (ADD OPTION TO LIST PRICE TO DETERMINE TOTAL LIST PRICE)

SIZE	LEAD-FREE LIST PRICE EA.	LEAD-FREE EXEMPT LIST PRICE EA.
Fast-Test Test Cocks (FT) Option (e.g. 2-975XL2FT), 1/4" through 1" USC Approved		
1/4" - 2"	No Charge	No Charge
AIR GAP (AG) OPTION		
1/4" - 1/2" AG-8	100.00	100.00
3/4" - 1" AG-4	106.00	106.00
1-1/4" - 2" AG-5	143.00	143.00
LEAD-FREE BRONZE WYE STRAINER (S) OPTION WITH NIPPLE (E.G. 2-975XL2S)		
3/8"	61.00	-
1/2"	75.00	-
3/4"	81.00	-
1"	95.00	-
1-1/4"	139.00	-
1-1/2"	189.00	-
2"	276.00	-
TEST COCKS UP (TCU) OPTION (E.G. 2-975XL2TCU)		
1/4" - 2"	74.00	74.00
MS OPTION, RELIEF VALVE MONITOR SWITCH (E.G. 2-975XL2MS)		
3/4" - 1"	393.00	393.00
1-1/4" - 2"	428.00	428.00
BMS OPTION, RELIEF VALVE MONITOR SWITCH, BATTERY OPERATED AUDIBLE ALARM (2-975XL2BMS)		
3/4" - 1"	621.00	621.00
1-1/4" - 2"	659.00	659.00

TYPICAL INSTALLATION



For additional product information, please visit www.zurn.com.

375AST SERIES – REDUCED PRESSURE PRINCIPLE ASSEMBLY WITH STAINLESS STEEL BODY



APPLICATIONS

Zurn Wilkins state of the art Reduced Pressure Principle Assembly for high hazard applications in all market segments.

FEATURES

- 2-1/2" - 10"
- 175 psi max
- 140°F max
- Grooved or flanged end connections
- Improved Compound Check design
- Short lay-length for small space installation
- Lower maintenance costs from corrosion resistance of stainless body

APPROVALS AND APPLICABLE SPECIFICATIONS

- Approved by the Foundation for Cross Connection Control and Hydraulic Research at the University of Southern California
- ASSE® Listed 1013, AWWA Compliant C511 (with gates only), and C550, FM® Approved, UL® Classified, C-UL® Classified, CSA® Certified, IAPMO® Listed
- Certified to NSF/ANSI 61 and 372

ACCESSORIES

- Repair kit (rubber only)
- OS&Y Gate valve tamper switch (OSY-40)
- Air gap (Model AG)
- FSC strainer

SIZE	LEAD-FREE PART NUMBER	LEAD-FREE LIST PRICE EA.
375AST: FLANGED NRS X FLANGED NRS		
2-1/2"	212-375AST	4,839.00
3"	3-375AST	5,039.00
4"	4-375AST	6,829.00
6"	6-375AST	9,624.00
8"	8-375AST	17,268.00
10"	10-375AST	24,343.00

For grooved options, part number will be designated using "GF", "FG" or "G" (e.g. 212-375ASTFG, 4-375ASTGF, 10-375ASTG).

SIZE	LEAD-FREE PART NUMBER	LEAD-FREE LIST PRICE EA.
375ASTOSY: FLANGED OSY X FLANGED OSY		
2-1/2"	212-375ASTOSY	5,495.00
3"	3-375ASTOSY	5,780.00
4"	4-375ASTOSY	7,266.00
6"	6-375ASTOSY	10,507.00
8"	8-375ASTOSY	18,474.00
10"	10-375ASTOSY	24,732.00

For grooved options, part number will be designated using "GF", "FG" or "G" (e.g. 212-375ASTOSYFG, 4-375ASTOSYGF, 10-375ASTOSYGF).

SIZE	LEAD-FREE PART NUMBER	LEAD-FREE LIST PRICE EA.
375ASTPI: FLANGED PI X FLANGED PI		
2-1/2"	212-375ASTPI	5,495.00
3"	3-375ASTPI	5,780.00
4"	4-375ASTPI	7,265.00
6"	6-375ASTPI	10,507.00
8"	8-375ASTPI	18,474.00
10"	10-375ASTPI	24,732.00

For grooved options, part number will be designated using "GF", "FG" or "G" (e.g. 212-375ASTPIFG, 4-375ASTPIGF, 10-375ASTPIGF).

SIZE	LEAD-FREE PART NUMBER	LEAD-FREE LIST PRICE EA.
375ASTBG: GROOVED BG X GROOVED BG (TAMPURED BUTTERFLY VALVES)		
2-1/2"	212-375ASTBG	6,164.00
3"	3-375ASTBG	6,483.00
4"	4-375ASTBG	7,607.00
6"	6-375ASTBG	11,786.00
8"	8-375ASTBG	20,723.00
10"	10-375ASTBG	28,711.00

SIZE	LEAD-FREE PART NUMBER	LEAD-FREE LIST PRICE EA.
375ASTBF: FLANGED BF X FLANGED BF (TAMPURED BUTTERFLY VALVES)		
2-1/2"	212-375ASTBF	6,201.00
3"	3-375ASTBF	6,614.00
4"	4-375ASTBF	7,792.00
6"	6-375ASTBF	11,985.00
8"	8-375ASTBF	20,777.00
10"	10-375ASTBF	28,646.00

SIZE	LEAD-FREE PART NUMBER	LEAD-FREE LIST PRICE EA.
375ASTBFG: FLANGED BF X GROOVED BG (TAMPURED BUTTERFLY VALVES)		
2-1/2"	212-375ASTBFG	6,125.00
3"	3-375ASTBFG	6,488.00
4"	4-375ASTBFG	7,629.00
6"	6-375ASTBFG	11,776.00
8"	8-375ASTBFG	20,558.00
10"	10-375ASTBFG	28,412.00

SIZE	LEAD-FREE LIST PRICE EA.
375AST WITH OSY & PI SHUT-OFF VALVE COMBINATIONS	
2-1/2" - 10"	Use OSY Pricing

Part number will be designated using "GF", "FG" or "G" (e.g. 212-375ASTPIOSYFG, 4-375ASTOSYPIGF, 10-375ASTOSYPIGF).

OPTIONS AND LIST PRICE ADDERS (ADD OPTION TO LIST PRICE TO DETERMINE TOTAL LIST PRICE)		
AIR GAP (-AG) OPTION		
2-1/2" - 6"	AG Option, Iron Air Gap (AG-6)	182.00
8" - 10"	AG Option, Iron Air Gap (AG-7)	300.00

<i>Part number will be designated using "-AG" (e.g. 212-375A-AG, 4-375ALMFG-AG, 10-375AOSYPIG-AG).</i>		
FSC STRAINER (FSC) OPTION WITH BOLT KIT, FLANGED X FLANGED CONNECTION		
2-1/2"		497.00
3"		604.00
4"		984.00
6"		1,582.00
8"		3,141.00
10"		5,443.00

Part number will be designated using "FSC" (e.g. 212-375AFSC, 4-375AOSYFSC, 10-375AOSYPIFSC).

RELIEF VALVE MONITOR SWITCH (MS) OPTION		
2-1/2" - 6"		1,048.00
8" - 10"		1,433.00

Part number will be designated using "MS" (e.g. 212-375AMS, 6-375AMSG, 10-375AMSOSYPIG).

300AR SERIES - REPLACEMENT BACKFLOW ASSEMBLY (2-1/2" - 10")		
Custom length Double Check Valve Assembly for drop in replacements. Stainless steel grooved x grooved spool installed between the backflow valve and the outlet shut-off valve. Can be used with 350 Series and 375 Series grooved body models. For replacement of longer lay-length backflow preventers.		
375ASTR list price adder to be added to list price of the 375AST to determine total list price.		
See order form and product specification sheet on the website for details and options.		

SIZE	INLET X OUTLET CONNECTIONS / OPTIONS	LEAD-FREE LIST PRICE ADDER EA.
2-1/2"	Length Range "A": Up to 47-1/8"	545.00
3"	Length Range "A": Up to 48-1/8"	567.00
4"	Length Range "A": Up to 50"	657.00
4"	Length Range "B": Up to 62-1/4"	759.00
6"	Length Range "A": Up to 59"	877.00
6"	Length Range "B": Up to 71-1/4"	1,021.00
8"	Length Range "A": Up to 74"	1,173.00
8"	Length Range "B": Up to 86"	1,363.00
10"	Length Range "A": Up to 77"	1,422.00
10"	Length Range "B": Up to 89"	1,677.00
10"	Length Range "C": Up to 100-5/8"	1,931.00

Part number will be designated using "375ASTR-X", where X = the Length Range (e.g. 212-375ASTR-A, 4-375ASTR-B, 10-375ASTR-C).

375A/375 SERIES – REDUCED PRESSURE PRINCIPLE ASSEMBLY



APPLICATIONS

Traditional Reduced Pressure Principal Assembly with an epoxy coated, ductile iron body. Used in high health hazard applications and all market segments.

FEATURES

- 375A 2-1/2" - 10"
- 375 2-1/2" - 10"
- 175 psi max
- 140°F max
- Complete with two flange-ended non-rising stem resilient wedge gate valves and four resilient seated ball valve test cocks
- No threads or taps in body or cover, eliminating exposure to corrosion

APPROVALS AND APPLICABLE SPECIFICATIONS

- Approved by the Foundation for Cross-Connection Control and Hydraulic Research at the University of Southern California
- ASSE® Listed 1013, UL® Classified, FM® Approved, AWWA Compliant, C-UL® Classified, CSA® Certified, IAPMO® Listed
- Certified to NSF/ANSI 61 and 372

ACCESSORIES

- Air gap (Model AG)
- Thermal expansion tank (Model XT)
- FSC strainer
- Repair kit

TYPICAL INSTALLATION

See next page

SIZE	LEAD-FREE PART NUMBER	LEAD-FREE LIST PRICE EA.
375A: FLANGED NRS X FLANGED NRS		
2-1/2"	212-375A	4,839.00
3"	3-375A	5,039.00
4"	4-375A	6,829.00
6"	6-375A	9,624.00
8"	8-375A	17,268.00
10"	10-375A	24,343.00

For grooved options, part number will be designated using "GF", "FG" or "G" (e.g. 212-375AFG, 4-375AGF, 10-375AG).

SIZE	LEAD-FREE PART NUMBER	LEAD-FREE LIST PRICE EA.
375AOSY: FLANGED OSY X FLANGED OSY		
2-1/2"	212-375AOSY	5,495.00
3"	3-375AOSY	5,780.00
4"	4-375AOSY	7,266.00
6"	6-375AOSY	10,507.00
8"	8-375AOSY	18,474.00
10"	10-375AOSY	24,732.00

For grooved options, part number will be designated using "GF", "FG" or "G" (e.g. 212-375AOSYFG, 4-375AOSYGF, 10-375AOSYGG).

SIZE	LEAD-FREE PART NUMBER	LEAD-FREE LIST PRICE EA.
375API: FLANGED PI X FLANGED PI		
2-1/2"	212-375API	5,495.00
3"	3-375API	5,780.00
4"	4-375API	7,265.00
6"	6-375API	10,507.00
8"	8-375API	18,474.00
10"	10-375API	24,732.00

For grooved options, part number will be designated using "GF", "FG" or "G" (e.g. 212-375APIFG, 4-375APIGF, 10-375APIGG).

SIZE	LEAD-FREE PART NUMBER	LEAD-FREE LIST PRICE EA.
375ABG: GROOVED BG X GROOVED BG (TAMPURED BUTTERFLY VALVES)		
2-1/2"	212-375ABG	6,050.00
3"	3-375ABG	6,363.00
4"	4-375ABG	7,466.00
6"	6-375ABG	11,568.00
8"	8-375ABG	20,340.00
10"	10-375ABG	28,180.00

SIZE	LEAD-FREE PART NUMBER	LEAD-FREE LIST PRICE EA.
375ABF: FLANGED BF X FLANGED BF (TAMPURED BUTTERFLY VALVES)		
2-1/2"	212-375ABF	6,201.00
3"	3-375ABF	6,614.00
4"	4-375ABF	7,792.00
6"	6-375ABF	11,985.00
8"	8-375ABF	20,776.00
10"	10-375ABF	28,646.00

SIZE	LEAD-FREE PART NUMBER	LEAD-FREE LIST PRICE EA.
375ABFG: FLANGED BF X GROOVED BG (TAMPURED BUTTERFLY VALVES)		
2-1/2"	212-375ABFG	6,125.00
3"	3-375ABFG	6,488.00
4"	4-375ABFG	7,629.00
6"	6-375ABFG	11,776.00
8"	8-375ABFG	20,558.00
10"	10-375ABFG	28,412.00

SIZE	LEAD-FREE PART NUMBER	LEAD-FREE LIST PRICE EA.
375ANRSOSY: FLANGED NRS X FLANGED OSY		
2-1/2"	212-375ANRSOSY	5,167.00
3"	3-375ANRSOSY	5,409.00
4"	4-375ANRSOSY	7,048.00
6"	6-375ANRSOSY	10,065.00
8"	8-375ANRSOSY	17,871.00
10"	10-375ANRSOSY	24,538.00

SIZE	LEAD-FREE PART NUMBER	LEAD-FREE LIST PRICE EA.
375ANRSPI: FLANGED NRS X FLANGED PI		
2-1/2"	212-375ANRSPI	5,167.00
3"	3-375ANRSPI	5,409.00
4"	4-375ANRSPI	7,048.00
6"	6-375ANRSPI	10,065.00
8"	8-375ANRSPI	17,871.00
10"	10-375ANRSPI	24,538.00

For grooved options, part number will be designated using "GF", "FG" or "G" (e.g. 212-375ANRSPIFG, 4-375ANRSPIGF, 10-375ANRSPIGG).

SIZE	LEAD-FREE PART NUMBER	LEAD-FREE LIST PRICE EA.
375ANRSBFG: FLANGED NRS X GROOVED BG (TAMPURED BUTTERFLY VALVE)		
2-1/2"	212-375ANRSBFG	5,444.00
3"	3-375ANRSBFG	5,701.00
4"	4-375ANRSBFG	7,148.00
6"	6-375ANRSBFG	10,596.00
8"	8-375ANRSBFG	18,804.00
10"	10-375ANRSBFG	26,261.00

For grooved options, part number will be designated using "GF", "FG" or "G" (e.g. 212-375ANRSBFGF, 6-375ANRSBFGF, 10-375ANRSBFGG).

375A WITH OSY AND PI SHUT-OFF VALVE COMBINATIONS

2-1/2" - 10" Use OSY Pricing
Part number will be designated using "GF", "FG" or "G" (e.g. 212-375APIOSYFG, 4-375AOSYPIGF, 10-375AOSYPIGG).

SIZE	LEAD-FREE PART NUMBER	LEAD-FREE LIST PRICE EA.
375AOSYBFG: FLANGED OSY X GROOVED BG (TAMPURED BUTTERFLY VALVE)		
2-1/2"	212-375AOSYBFG	5,773.00
3"	3-375AOSYBFG	6,071.00
4"	4-375AOSYBFG	7,366.00
6"	6-375AOSYBFG	11,037.00
8"	8-375AOSYBFG	19,407.00
10"	10-375AOSYBFG	26,456.00

SIZE	LEAD-FREE PART NUMBER	LEAD-FREE LIST PRICE EA.
375APIBFG: FLANGED PI X GROOVED BG (TAMPURED BUTTERFLY VALVE)		
2-1/2"	212-375APIBFG	5,773.00
3"	3-375APIBFG	6,071.00
4"	4-375APIBFG	7,366.00
6"	6-375APIBFG	11,037.00
8"	8-375APIBFG	19,407.00
10"	10-375APIBFG	26,456.00

For grooved options, part number will be designated using "GF", "FG" or "G" (e.g. 212-375AOSYBFGF, 6-375AOSYBFGF, 10-375AOSYBFGG).

SIZE	LEAD-FREE PART NUMBER	LEAD-FREE LIST PRICE EA.
375AL: GROOVED X GROOVED, LESS SHUT-OFF VALVES		
2-1/2"	212-375AL	4,202.00
3"	3-375AL	4,202.00
4"	4-375AL	4,653.00
6"	6-375AL	7,103.00
8"	8-375AL	13,182.00
10"	10-375AL	16,489.00

Part number will be designated using "L" (e.g. 212-375AL, 6-375AL, 10-375AL).

OPTIONS AND LIST PRICE ADDERS (ADD OPTION TO LIST PRICE TO DETERMINE TOTAL LIST PRICE)

300AR SERIES - REPLACEMENT BACKFLOW ASSEMBLY (2-1/2" - 10")

Custom length Double Check Valve Assembly for drop in replacements. Stainless steel grooved x grooved spool installed between the backflow valve and the outlet shut-off valve. Can be used with 350 Series and 375 Series grooved body models. For replacement of longer lay-length backflow preventers.

375AR list price adder to be added to list price of the 375A to determine total list price.

See order form and product specification sheet on the website for details and options.

SIZE	INLET X OUTLET CONNECTIONS / OPTIONS	LEAD-FREE LIST PRICE ADDER EA.
2-1/2"	Length Range "A": Up to 47-1/8"	545.00
3"	Length Range "A": Up to 48-1/8"	567.00
4"	Length Range "A": Up to 50"	657.00
4"	Length Range "B": Up to 62-1/4"	759.00
6"	Length Range "A": Up to 59"	877.00
6"	Length Range "B": Up to 71-1/4"	1,021.00
8"	Length Range "A": Up to 74"	1,173.00
8"	Length Range "B": Up to 86"	1,363.00
10"	Length Range "A": Up to 77"	1,422.00
10"	Length Range "B": Up to 89"	1,677.00
10"	Length Range "C": Up to 100-5/8"	1,931.00

Part number will be designated using "375AR-X", where X = the Length Range (e.g. 212-375AR-A, 4-375AR-B, 10-375AR-C).

375A/375 SERIES – REDUCED PRESSURE PRINCIPLE ASSEMBLY (CONTINUED)

SIZE	LEAD-FREE PART NUMBER	LEAD-FREE LIST PRICE EA.
375: FLANGED NRS X FLANGED NRS		
2-1/2"	212-375	4,839.00
3"	3-375	5,039.00
4"	4-375	6,829.00
6"	6-375	9,624.00
8"	8-375	17,268.00
10"	10-375	24,343.00

For grooved options, part number will be designated using "GF", "FG" or "G" (e.g. 212-375FG, 4-375GF, 10-375G).

SIZE	LEAD-FREE PART NUMBER	LEAD-FREE LIST PRICE EA.
375OSY: FLANGED OSY X FLANGED OSY		
2-1/2"	212-375OSY	5,495.00
3"	3-375OSY	5,780.00
4"	4-375OSY	7,266.00
6"	6-375OSY	10,507.00
8"	8-375OSY	18,474.00
10"	10-375OSY	24,732.00

For grooved options, part number will be designated using "GF", "FG" or "G" (e.g. 212-375OSYFG, 4-375OSYGF, 10-375OSYG).

SIZE	LEAD-FREE PART NUMBER	LEAD-FREE LIST PRICE EA.
375PI: FLANGED PI X FLANGED PI		
2-1/2"	212-375PI	5,495.00
3"	3-375PI	5,780.00
4"	4-375PI	7,265.00
6"	6-375PI	10,507.00
8"	8-375PI	18,474.00
10"	10-375PI	24,732.00

For grooved options, part number will be designated using "GF", "FG" or "G" (e.g. 212-375PIFG, 4-375PIGF, 10-375PIG).

375 OSY AND PI SHUT-OFF VALVE COMBINATIONS		
2-1/2"-10"	OSY & PI GATE VALVES	Use OSY or PI Pricing

For grooved options, part number will be designated using "GF", "FG" or "G" (e.g. 212-375PIOSYFG, 4-375OSYPIGF, 10-375OSYPIG).

SIZE	LEAD-FREE PART NUMBER	LEAD-FREE LIST PRICE EA.
375L: FLANGED X FLANGED, LESS SHUT-OFF VALVES		
2-1/2"	212-375L	3,233.00
3"	3-375L	3,234.00
4"	4-375L	4,653.00
6"	6-375L	7,103.00
8"	8-375L	13,182.00
10"	10-375L	17,862.00

Part number will be designated using "L" (e.g. 212-375L, 6-375L, 10-375L).

OPTIONS AND LIST PRICE ADDERS (ADD OPTION TO LIST PRICE TO DETERMINE TOTAL LIST PRICE)

AIR GAP (-AG) OPTION		
2-1/2" - 6"	AG Option, Iron Air Gap (AG-6)	182.00
8" - 10"	AG Option, Iron Air Gap (AG-7)	300.00

Part number will be designated using "-AG" (e.g. 212-375-AG, 4-375LMFG-AG, 10-375OSYPIG-AG).

FSC STRAINER (FSC) OPTION WITH BOLT KIT, FLANGED X FLANGED CONNECTION		
2-1/2"		497.00
3"		604.00
4"		984.00
6"		1,582.00
8"		3,141.00
10"		5,443.00

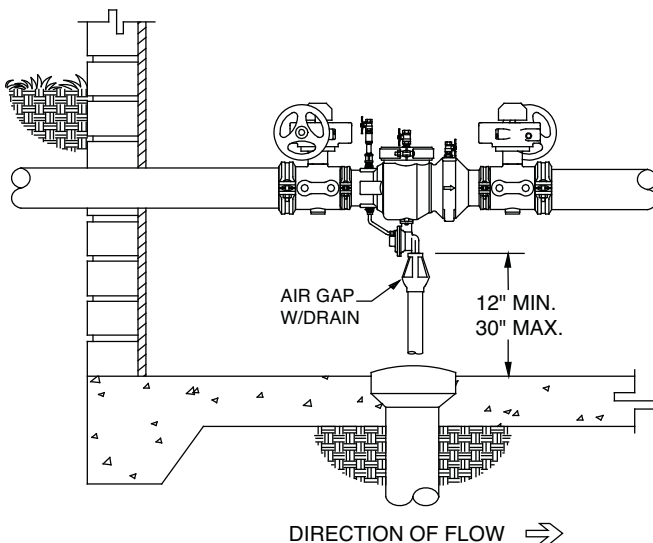
Part number will be designated using "FSC" (e.g. 212-375FSC, 4-375OSYFSC, 10-375OSYPIFSC).

RELIEF VALVE MONITOR SWITCH (MS) OPTION		
2-1/2" - 6"		1,048.00
8" - 10"		1,433.00

Part number will be designated using "MS" (e.g. 4-375MS, 6-375MSFG, 10-375MSOSYPIG).

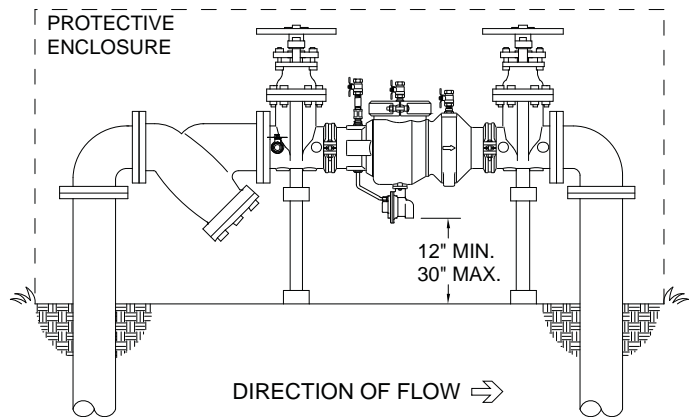
TYPICAL INSTALLATION

MODEL 375ABG



INDOOR INSTALLATION

MODEL 375AFSC



OUTDOOR INSTALLATION

475ST/475STV SERIES – REDUCED PRESSURE PRINCIPLE ASSEMBLY WITH STAINLESS STEEL BODY



APPLICATIONS

Designed for drop in replacement of competitor valves and new installation on potable water lines to protect against both backsiphonage and backpressure of contaminated water into the potable water supply. The Model 475ST shall provide protection in a high hazard health application. The configuration 475STV is for applications requiring vertical flow up. Ideal for use where lead-free valves are required.

FEATURES

- 4" - 10"
- 175 psi max
- 140°F max
- n-Pattern space saving design
- Available in up/down (475ST) or up/up (475STV) configuration
- Stainless steel body
- Direct drop in replacement of competitor valves

APPROVALS AND APPLICABLE SPECIFICATIONS

- Foundation for Cross-Connection Control and Hydraulic Research at the University of Southern California (pending, see www.zurn.com for current information)
- ASSE® Listed 1013, UL® Classified, FM® Approved, C-UL® Classified, CSA® Certified, AWWA Compliant C511 (with gates only), and C550
- Certified to NSF/ANSI 61

ACCESSORIES

- Air gap (Model AG)
- Valve setter (Model FLSST or MJSST or MJFSST)
- OS&Y gate valve supervisory switch (OSY-40)

TYPICAL INSTALLATION

See next page

SIZE	LEAD-FREE PART NUMBER	LEAD-FREE LIST PRICE EA.
475ST: FLANGED NRS X FLANGED NRS		
4"	4-475ST	6,871.50
6"	6-475ST	10,534.70
8"	8-475ST	18,506.00
10"	10-475ST	26,093.30

For grooved options, part number will be designated using "GF", "FG", or "G" (e.g. 4-475STFG, 4-475STGF, 4-475STG)

SIZE	LEAD-FREE PART NUMBER	LEAD-FREE LIST PRICE EA.
475STOSY: FLANGED OSY X FLANGED OSY		
4"	4-475STOSY	7,227.00
6"	6-475STOSY	11,112.00
8"	8-475STOSY	19,473.20
10"	10-475STOSY	26,510.00

For grooved options, part number will be designated using "GF", "FG", or "G" (e.g. 4-475STOSYFG, 4-475STOSYGF, 4-475STOSYG)

SIZE	LEAD-FREE PART NUMBER	LEAD-FREE LIST PRICE EA.
475STBG: GROOVED BG X GROOVED BG (TAMPARED BUTTERFLY VALVES)		
4"	4-475STBG	7,957.10
6"	6-475STBG	12,233.60
8"	8-475STBG	21,439.10
10"	10-475STBG	27,715.60

SIZE	LEAD-FREE PART NUMBER	LEAD-FREE LIST PRICE EA.
475STBF: FLANGED BF X FLANGED BF (TAMPARED BUTTERFLY VALVES)		
4"	4-475STBF	8,257.50
6"	6-475STBF	12,617.10
8"	8-475STBF	21,841.60
10"	10-475STBF	28,144.80

SIZE	LEAD-FREE PART NUMBER	LEAD-FREE LIST PRICE EA.
475STPI: FLANGED PI X FLANGED PI		
4"	4-475STPI	7,227.00
6"	6-475STPI	11,112.00
8"	8-475STPI	19,473.30
10"	10-475STPI	26,510.00

SIZE	LEAD-FREE PART NUMBER	LEAD-FREE LIST PRICE EA.
475STV: FLANGED NRS X FLANGED NRS		
4"	4-475STV	8,371.00
6"	6-475STV	13,385.00
8"	8-475STV	23,512.00
10"	10-475STV	33,152.00

SIZE	LEAD-FREE PART NUMBER	LEAD-FREE LIST PRICE EA.
475STVOSY: FLANGED OSY X FLANGED OSY		
4"	4-475STVOSY	8,352.00
6"	6-475STVOSY	13,385.00
8"	8-475STVOSY	23,512.00
10"	10-475STVOSY	32,078.00

SIZE	LEAD-FREE PART NUMBER	LEAD-FREE LIST PRICE EA.
475STVPI: FLANGED PI X FLANGED PI		
4"	4-475STVPI	7,227.00
6"	6-475STVPI	11,112.00
8"	8-475STVPI	19,473.30
10"	10-475STVPI	26,510.20

SIZE	LEAD-FREE PART NUMBER	LEAD-FREE LIST PRICE EA.
475STVBG: GROOVED BG X GROOVED BG (TAMPARED BUTTERFLY VALVES)		
4"	4-475STVBG	7,957.10
6"	6-475STVBG	12,233.60
8"	8-475STVBG	21,439.10
10"	10-475STVBG	27,715.60

SIZE	LEAD-FREE PART NUMBER	LEAD-FREE LIST PRICE EA.
475STVBF: FLANGED BF X FLANGED BF (TAMPARED BUTTERFLY VALVES)		
4"	4-475STVBF	8,257.50
6"	6-475STVBF	12,617.10
8"	8-475STVBF	21,841.50
10"	10-475STVBF	28,144.80

SIZE	LEAD-FREE PART NUMBER	LEAD-FREE LIST PRICE EA.
475STR: FLANGED NRS X FLANGED NRS REPLACEMENT BACKFLOW		
4"	4-475STR	8,896.00
6"	6-475STR	13,552.00
8"	8-475STR	24,061.00
10"	10-475STR	33,152.00

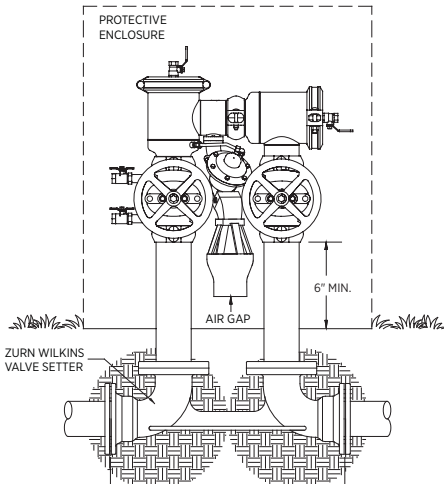
SIZE	LEAD-FREE PART NUMBER	LEAD-FREE LIST PRICE EA.
475STROSY: FLANGED NRS X FLANGED NRS REPLACEMENT BACKFLOW		

4"	4-475STROSY	9,348.00
6"	6-475STROSY	14,285.00
8"	8-475STROSY	25,290.00
10"	10-475STROSY	34,391.00

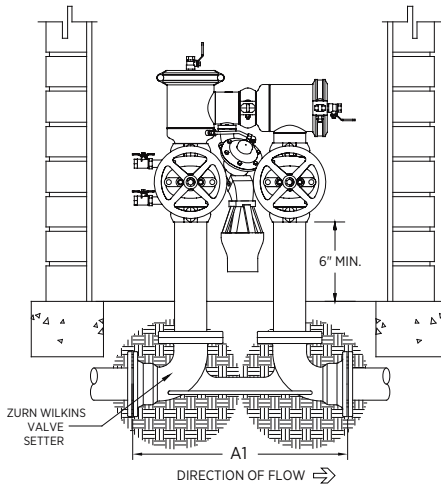
SIZE	LEAD-FREE PART NUMBER	LEAD-FREE LIST PRICE EA.
475STRV: FLANGED NRS X FLANGED NRS REPLACEMENT BACKFLOW		
4"	4-475STRV	8,888.00
6"	6-475STRV	13,544.00
8"	8-475STRV	23,831.00
10"	10-475STRV	33,828.00

475ST/475STV SERIES – REDUCED PRESSURE PRINCIPLE ASSEMBLY WITH STAINLESS STEEL BODY (CONTINUED)

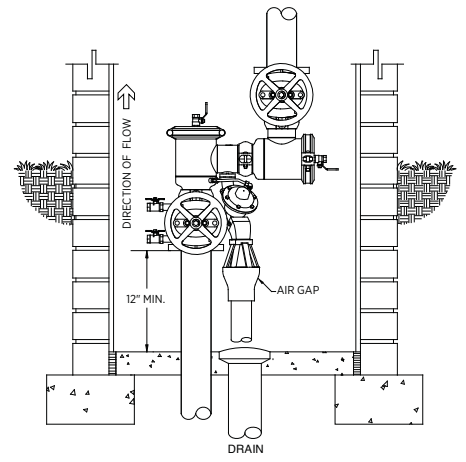
TYPICAL INSTALLATION



OUTDOOR INSTALLATION



INDOOR INSTALLATION



VERTICAL INSTALLATION

BACKFLOW PREVENTERS

BACKFLOW PREVENTERS ACCESSORIES

STRAINERS

AUTOMATIC CONTROL VALVES

PRESSURE REDUCING VALVES

FIRE PROTECTION VALVES

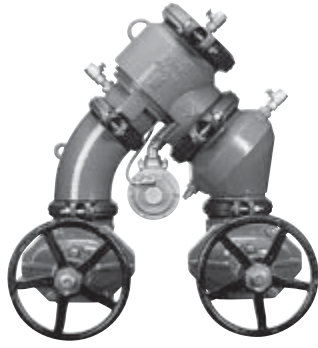
THERMOSTATIC MIXING VALVES

RELIEF VALVES

MISCELLANEOUS PLUMBING PRODUCTS

REPAIR KITS

475/475V SERIES – REDUCED PRESSURE PRINCIPLE ASSEMBLY



APPLICATIONS

A compact reduced pressure principal assembly in the "n" pattern for new or retrofit installations in tight locations. Also available as a 475V for vertical flow path.

FEATURES

- 2-1/2" - 10"
- 2-1/2" and 3" sizes use 375 with 90° elbows
- 175 psi max
- 140°F max
- n-Pattern space saving design
- Available in up/down (475) or up/up (475V) configuration
- Epoxy coated ductile iron body
- Utilizes modular, center-stem guided Compound Check

APPROVALS AND APPLICABLE SPECIFICATIONS

- Approved by the Foundation for Cross-Connection Control and Hydraulic Research at the University of Southern California
- ASSE® Listed 1013, UL® Classified, FM® Approved, C-UL® Classified, IAPMO® Listed, CSA® Certified, AWWA Compliant
- Certified to NSF/ANSI 61 and 372

ACCESSORIES

- Air gap (Model AG)
- Valve setter (Model FLS or MJS or MJFS)
- Repair kits

TYPICAL INSTALLATION

See next page

SIZE	LEAD-FREE PART NUMBER	LEAD-FREE LIST PRICE EA.
475: FLANGED NRS X FLANGED NRS		
2-1/2"	212-475	5,095.00
3"	3-475	5,583.00
4"	4-475	7,462.00
6"	6-475	11,440.00
8"	8-475	20,096.00
10"	10-475	28,335.00

For grooved options, part number will be designated using "GF", "FG" or "G" (e.g. 212-475FG, 4-475GF, 10-475G).

SIZE	LEAD-FREE PART NUMBER	LEAD-FREE LIST PRICE EA.
475OSY: FLANGED OSY X FLANGED OSY		
2-1/2"	212-475OSY	5,772.00
3"	3-475OSY	6,268.00
4"	4-475OSY	7,848.00
6"	6-475OSY	12,067.00
8"	8-475OSY	21,146.00
10"	10-475OSY	28,788.00

For grooved options, part number will be designated using "GF", "FG" or "G" (e.g. 212-475OSYFG, 4-475OSYGF, 10-475OSYG).

SIZE	LEAD-FREE PART NUMBER	LEAD-FREE LIST PRICE EA.
475PI: FLANGED PI X FLANGED PI		
2-1/2"	212-475PI	5,772.00
3"	3-475PI	6,267.00
4"	4-475PI	7,848.00
6"	6-475PI	12,067.00
8"	8-475PI	21,146.00
10"	10-475PI	28,788.00

For grooved options, part number will be designated using "GF", "FG" or "G" (e.g. 212-475PIFG, 4-475PIGF, 10-475PIG).

SIZE	LEAD-FREE PART NUMBER	LEAD-FREE LIST PRICE EA.
475BG: GROOVED BG X GROOVED BG (TAMPURED BUTTERFLY VALVES)		
4"	4-475BG	8,641.00
6"	6-475BG	13,285.00
8"	8-475BG	23,281.00
10"	10-475BG	30,097.00

SIZE	LEAD-FREE PART NUMBER	LEAD-FREE LIST PRICE EA.
475BF: FLANGED BF X FLANGED BF (TAMPURED BUTTERFLY VALVES)		
4"	4-475BF	8,967.00
6"	6-475BF	13,702.00
8"	8-475BF	23,718.00
10"	10-475BF	30,563.00

SIZE	LEAD-FREE PART NUMBER	LEAD-FREE LIST PRICE EA.
475BFG: FLANGED BF X GROOVED BG (TAMPURED BUTTERFLY VALVES)		
4"	4-475BFG	8,804.00
6"	6-475BFG	13,493.00
8"	8-475BFG	23,500.00
10"	10-475BFG	30,330.00

SIZE	LEAD-FREE PART NUMBER	LEAD-FREE LIST PRICE EA.
475NRSOSY: FLANGED NRS X FLANGED OSY		
2-1/2"	212-475NRSOSY	5,434.00
3"	3-475NRSOSY	5,925.00
4"	4-475NRSOSY	7,655.00
6"	6-475NRSOSY	11,753.00
8"	8-475NRSOSY	20,621.00
10"	10-475NRSOSY	28,561.00

SIZE	LEAD-FREE PART NUMBER	LEAD-FREE LIST PRICE EA.
475NRSPI: FLANGED NRS X FLANGED PI		
2-1/2"	212-475NRSPI	5,434.00
3"	3-475NRSPI	5,925.00
4"	4-475NRSPI	7,655.00
6"	6-475NRSPI	11,753.00
8"	8-475NRSPI	20,621.00
10"	10-475NRSPI	28,561.00

For grooved options, part number will be designated using "GF", "FG" or "G" (e.g. 212-475NRSPIFG, 4-475OSYNRSGF, 10-475NRSOSYG).

SIZE	LEAD-FREE PART NUMBER	LEAD-FREE LIST PRICE EA.
475NRSBFG: FLANGED NRS X GROOVED BG (TAMPURED BUTTERFLY VALVE)		
4"	4-475NRSBFG	8,052.00
6"	6-475NRSBFG	12,363.00
8"	8-475NRSBFG	21,689.00
10"	10-475NRSBFG	29,216.00

For grooved options, part number will be designated using "GF", "FG" or "G" (e.g. 4-475BNRSFG, 6-475NRSBFG, 10-475BNRSG).

SIZE	LEAD-FREE PART NUMBER	LEAD-FREE LIST PRICE EA.
475 OSY AND PI SHUT-OFF VALVE COMBINATIONS		
2-1/2" - 10"		Use OSY Pricing

For grooved options, part number will be designated using "GF", "FG" or "G" (e.g. 212-475PIOSYFG, 4-475OSYPIGF, 10-475OSYPIG).

SIZE	LEAD-FREE PART NUMBER	LEAD-FREE LIST PRICE EA.
475OSYBFG: FLANGED OSY X GROOVED BG (TAMPURED BUTTERFLY VALVE)		
4"	4-475OSYBFG	8,245.00
6"	6-475OSYBFG	12,676.00
8"	8-475OSYBFG	22,214.00
10"	10-475OSYBFG	29,442.00

SIZE	LEAD-FREE PART NUMBER	LEAD-FREE LIST PRICE EA.
475PIBFG: FLANGED PI X GROOVED BG		
4"	4-475PIBFG	8,245.00
6"	6-475PIBFG	12,676.00
8"	8-475PIBFG	22,214.00
10"	10-475PIBFG	29,442.00

For grooved options, part number will be designated using "GF", "FG" or "G" (e.g. 4-475OSYBFG, 6-475BOSYGF, 10-475PIBFG).

SIZE	LEAD-FREE PART NUMBER	LEAD-FREE LIST PRICE EA.
475L: FLANGED X FLANGED, LESS SHUT-OFF VALVES		
2-1/2"	212-475L	3,586.00
3"	3-475L	3,980.00

SIZE	LEAD-FREE PART NUMBER	LEAD-FREE LIST PRICE EA.
475L: GROOVED X GROOVED, LESS SHUT-OFF VALVES		
4"	4-475L	5,182.00
6"	6-475L	8,053.00
8"	8-475L	16,533.00
10"	10-475L	20,791.00

Part number will be designated using "L" (e.g. 4-475L, 6-475L, 10-475L).

OPTIONS AND LIST PRICE ADDERS
(ADD OPTION TO LIST PRICE TO DETERMINE TOTAL LIST PRICE)

SIZE	OPTION	LIST PRICE EA.
2-1/2" - 6"	AG Option, Iron Air Gap (AG-6)	182.00
8" - 10"	AG Option, Iron Air Gap (AG-7)	300.00

Part number will be designated using "AG" (e.g. 212-475-AG, 6-475LMFG-AG, 10-475OSYPIG-AG).

SIZE	OPTION	LIST PRICE EA.
2-1/2"	FSC Strainer (FSC) Option with Bolt Kit, Flanged X Flanged Connection	497.00
3"		604.00
4"		984.00
6"		1,582.00
8"		3,141.00
10"		5,443.00

Part number will be designated using "FSC" (e.g. 212-475FSC, 4-475OSYFSC, 10-475OSYPIFSC).

SIZE	OPTION	LIST PRICE EA.
2-1/2" - 6"	Relief Valve Monitor Switch (MS) Option	1,048.00
8" - 10"		1,433.00

Part number will be designated using "MS" (e.g. 212-475MS, 6-475MSFG, 10-475MSOSYPIG).

475/475V SERIES – REDUCED PRESSURE PRINCIPLE ASSEMBLY (CONTINUED)

SIZE	LEAD-FREE PART NUMBER	LEAD-FREE LIST PRICE EA.
475V: FLANGED NRS X FLANGED NRS		
2-1/2"	212-475V	5,095.00
3"	3-475V	5,583.00
4"	4-475V	7,462.00
6"	6-475V	11,440.00
8"	8-475V	20,096.00
10"	10-475V	28,335.00

For grooved options, part number will be designated using "GF", "FG" or "G" (e.g. 212-475VFG, 4-475VGF, 10-475VG).

SIZE	LEAD-FREE PART NUMBER	LEAD-FREE LIST PRICE EA.
475VOSY: FLANGED OSY X FLANGED OSY		
2-1/2"	212-475VOSY	5,772.00
3"	3-475VOSY	6,268.00
4"	4-475VOSY	7,848.00
6"	6-475VOSY	12,067.00
8"	8-475VOSY	21,146.00
10"	10-475VOSY	28,788.00

For grooved options, part number will be designated using "GF", "FG" or "G" (e.g. 212-475VOSYFG, 4-475VOSYGF, 10-475VOSYVG).

SIZE	LEAD-FREE PART NUMBER	LEAD-FREE LIST PRICE EA.
475VPI: FLANGED PI X FLANGED PI		
2-1/2"	212-475VPI	5,772.00
3"	3-475VPI	6,267.00
4"	4-475VPI	7,848.00
6"	6-475VPI	12,067.00
8"	8-475VPI	21,146.00
10"	10-475VPI	28,788.00

For grooved options, part number will be designated using "GF", "FG" or "G" (e.g. 212-475VPIFG, 4-475VPIGF, 10-475VPIVG).

SIZE	LEAD-FREE PART NUMBER	LEAD-FREE LIST PRICE EA.
475VBG: GROOVED BG X GROOVED BG (TAMPURED BUTTERFLY VALVES)		
4"	4-475VBG	8,641.00
6"	6-475VBG	13,285.00
8"	8-475VBG	23,281.00
10"	10-475VBG	30,097.00

SIZE	LEAD-FREE PART NUMBER	LEAD-FREE LIST PRICE EA.
475VBF: FLANGED BF X FLANGED BF (TAMPURED BUTTERFLY VALVES)		
4"	4-475VBF	8,967.00
6"	6-475VBF	13,702.00
8"	8-475VBF	23,718.00
10"	10-475VBF	30,563.00

SIZE	LEAD-FREE PART NUMBER	LEAD-FREE LIST PRICE EA.
475VBFG: FLANGED BF X GROOVED BG (TAMPURED BUTTERFLY VALVES)		
4"	4-475VBFG	8,804.00
6"	6-475VBFG	13,493.00
8"	8-475VBFG	23,500.00
10"	10-475VBFG	30,330.00

475V WITH OSY AND PI SHUT-OFF VALVE COMBINATIONS

2-1/2" - 10" **Use OSY Pricing**
For grooved options, part number will be designated using "GF", "FG" or "G" (e.g. 212-475VPIOSYFG, 4-475VOSYPIGF, 10-475VOSYPIG).

SIZE	LEAD-FREE PART NUMBER	LEAD-FREE LIST PRICE EA.
475VOSYBFG: FLANGED OSY X GROOVED BG (TAMPURED BUTTERFLY VALVE)		
4"	4-475VOSYBFG	8,245.00
6"	6-475VOSYBFG	12,676.00
8"	8-475VOSYBFG	22,214.00
10"	10-475VOSYBFG	29,442.00

SIZE	LEAD-FREE PART NUMBER	LEAD-FREE LIST PRICE EA.
475VPIBFG: FLANGED PI X GROOVED BG (TAMPURED BUTTERFLY VALVE)		
4"	4-475VPIBFG	8,245.00
6"	6-475VPIBFG	12,676.00
8"	8-475VPIBFG	22,214.00
10"	10-475VPIBFG	29,442.00

For grooved options, part number will be designated using "GF", "FG" or "G" (e.g. 4-475VOSYBFG, 6-475VOSYBFG, 10-475VPIBFG).

475VL: FLANGED X FLANGED, LESS SHUT-OFF VALVES

2-1/2"	212-475VL	3,586.00
3"	3-475VL	3,980.00

475VL: GROOVED X GROOVED, LESS SHUT-OFF VALVES

4"	4-475VL	5,182.00
6"	6-475VL	8,053.00
8"	8-475VL	16,533.00
10"	10-475VL	20,791.00

Part number will be designated using "L" (e.g. 4-475VL, 6-475VL, 10-475VL).

OPTIONS AND LIST PRICE ADDERS (ADD OPTION TO LIST PRICE TO DETERMINE TOTAL LIST PRICE)

AIR GAP (-AG) OPTION

2-1/2" - 3"	AG Option, Iron Air Gap (AG-6)	182.00
4" - 6"	AG Option, Iron Air Gap (AG-9)	237.00
8" - 10"	AG Option, Iron Air Gap (AG-10)	355.00

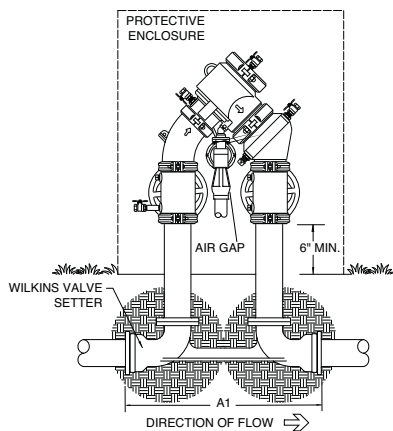
Part number will be designated using "-AG" (e.g. 212-475V-AG, 6-475VLMFG-AG, 10-475VOSYPIG-AG).

RELIEF VALVE MONITOR SWITCH (MS) OPTION

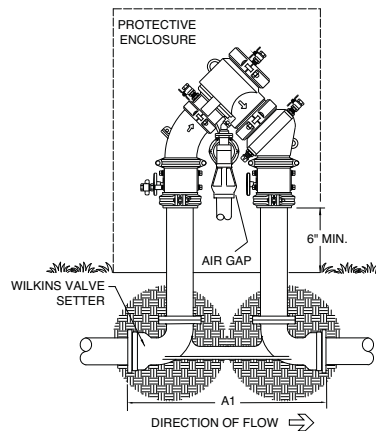
2-1/2" - 6"	1,048.00
8" - 10"	1,433.00

Part number will be designated using "MS" (e.g. 212-475VMS, 6-475VMSFG, 10-475VMSOSYPIG).

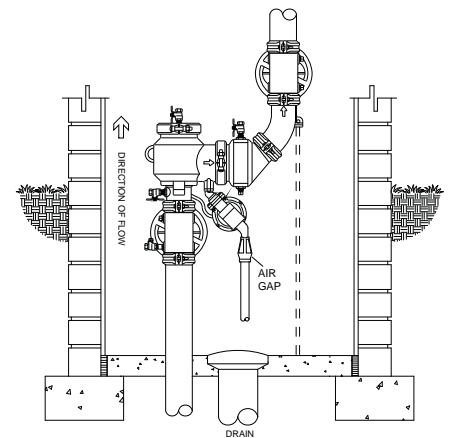
TYPICAL INSTALLATION



OUTDOOR INSTALLATION
MODEL 475G

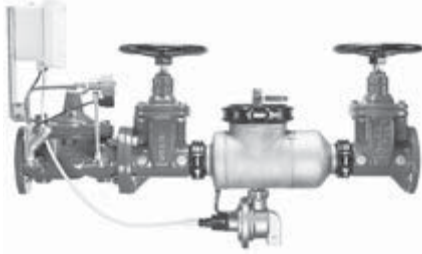


OUTDOOR INSTALLATION
MODEL 475BG



VERTICAL INSTALLATION
MODEL 475VG

FCIS SERIES – FLOOD CONTROL INTEGRATED SYSTEM AND DISCHARGE MONITORING SOLUTIONS



APPLICATIONS

For the prevention of catastrophic flooding in indoor applications. Automatically shuts off the water supply in the event of relief valve discharge. Designed for plumbing, waterworks, and irrigation systems.

FEATURES

- 1-1/4" - 10"
- 175 psi max
- 140°F max
- Reduced Pressure Principle Backflow Preventer and Monitor Switch (375 Series or Model 975XL2MS)
- Electronic Solenoid Timer (Model EST) Signal Relay attached to a Solenoid Control Valve (Model ZW206) to shut-off the water supply
- Grooved or flanged end connections
- Quick disconnect connectors
- Alarm Output contacts
- Available as a standalone electronic solenoid timer, Model EST
- Available as an integral relief valve monitor switch kit, Model MSK/BMSK Series
- Ships as two components

IMPORTANT

Completed order form required. Order form can be found on zurn.com under Related Documents of FCIS.

TYPICAL INSTALLATION

CAUTION: To prevent water damage, an adequately sized drain **MUST** still be installed to handle water discharge from the backflow relief valve. The monitor switch will start to signal the relief valve opens 1/16 to 1/8. For example, an 8 valve at 100 psi can discharge 75 gpm from the relief valve before initiating the shutdown process. Also, as the shutoff cycle can take up to 2 minutes, under a severe fouling condition in the #1 check valve, the relief valve may discharge 500-1000 gallons before shutdown is complete.

SIZE	LEAD-FREE PART NUMBER	LEAD-FREE LIST PRICE EA.
FCIS: NPT X NPT		
1-1/4"	114-FCIS	7,745.00
1-1/2"	112-FCIS	7,922.00
2"	2-FCIS	8,339.00
FCIS: FLANGED NRS X FLANGED NRS		
2-1/2"	212-FCIS	12,052.00
3"	3-FCIS	12,258.00
4"	4-FCIS	15,111.00
6"	6-FCIS	20,879.00
8"	8-FCIS	32,630.00
10"	10-FCIS	45,454.00
FCISOSY: FLANGED OSY X FLANGED OSY		
2-1/2"	212-FCISOSY	12,701.00
3"	3-FCISOSY	12,991.00
4"	4-FCISOSY	15,543.00
6"	6-FCISOSY	21,754.00
8"	8-FCISOSY	33,824.00
10"	10-FCISOSY	45,839.00
FCISAST: STAINLESS STEEL BACKFLOW, FLANGED NRS X FLANGED NRS		
2-1/2"	212-FCISAST	12,052.00
3"	3-FCISAST	12,258.00
4"	4-FCISAST	15,111.00
6"	6-FCISAST	20,879.00
8"	8-FCISAST	32,630.00
10"	10-FCISAST	45,454.00
FCISASTOSY: STAINLESS STEEL BACKFLOW, FLANGED OSY X FLANGED OSY		
2-1/2"	212-FCISASTOSY	12,701.00
3"	3-FCISASTOSY	12,991.00
4"	4-FCISASTOSY	15,543.00
6"	6-FCISASTOSY	21,138.00
8"	8-FCISASTOSY	33,824.00
10"	10-FCISASTOSY	45,839.00

For grooved options, part number will be designated using "GF", "FG" or "G" (e.g. 212-FCISGF, 4-FCISFG, 10-FCISG).

OPTIONS AND LIST PRICE ADDERS (ADD OPTION TO LIST PRICE TO DETERMINE TOTAL LIST PRICE)

AIR GAP (-AG) OPTION

1-1/4" - 2"	AG Option, Iron Air Gap (AG-5)	143.00
2-1/2" - 6"	AG Option, Iron Air Gap (AG-6)	182.00
8" - 10"	AG Option, Iron Air Gap (AG-7)	300.00

Part number will be designated using "-AG" (e.g. 212-FCIS-AG).

FSC STRAINER (FSC) OPTION WITH BOLT KIT, FLANGED X FLANGED CONNECTION (E.G. 212-FCISFSC)

2-1/2"		497.00
3"		604.00
4"		984.00
6"		1,582.00
8"		3,141.00
10"		5,443.00

Part number will be designated using "FSC" (e.g. 212-FCISFSC).

Designed for installation with 375MS or 475MS with Monitor Switch feature and Model ZW206 Control Valve.

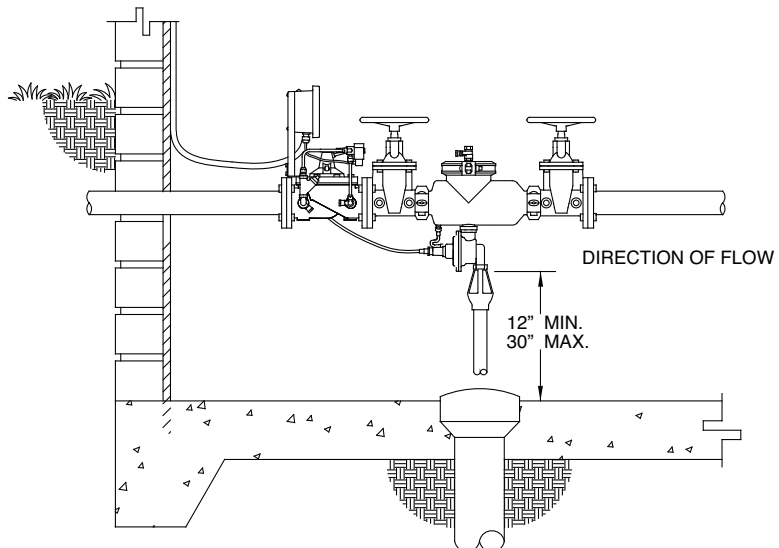
EST – ELECTRIC SOLENOID TIMER

DESCRIPTION	LEAD-FREE PART NUMBER	LEAD-FREE LIST PRICE EA.
ELECTRIC SOLENOID TIMER	EST	4,659.00

MSK/BMSK SERIES – INTEGRAL RELIEF VALVE MONITOR SWITCH KIT

SIZE MODEL USE	LEAD-FREE PART NUMBER	LEAD-FREE LIST PRICE EA.
MSK FOR 975XL SERIES		
3/4" - 1"	MSK-34	411.00
1-1/4" - 2"	MSK-114	449.00
MSK FOR 375 & 475 SERIES		
2-1/2" - 6"	MSK-212-375	1,144.00
8" - 10"	MSK-8-375	1,877.00
BMSK FOR 975XL SERIES, BATTERY POWERED AUDIBLE ALARM		
3/4" - 1"	BMSK-34	651.00
1-1/4" - 2"	BMSK-114	690.00

TYPICAL INSTALLATION



975XLHBM SERIES - HYDRANT BACKFLOW AND METER VALVE



APPLICATIONS

Combines a meter and backflow preventer in a common package. Helps maintain water quality while generating revenue for the water purveyor.

FEATURES

- 2"
- 175 psi max
- 180°F max
- Maximum intermittent flow rate of 250 gpm
- Maximum continuous flow rate of 160 gpm
- Outlet shutoff valve allows for easy flow adjustment
- NSFHT adapters allow for connection to 2-1/2" fire hydrant (inlet) and 2-1/2" fire hose (outlet)

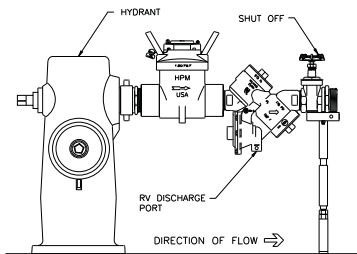
APPROVALS AND APPLICABLE SPECIFICATIONS

- Meter portion meets the requirements of ANSI / AWWA C701-88 Class II
- Meets the design requirements of most national standards. Due to the portability of the assembly, there are no national approvals available

ACCESSORIES

- Breakaway Hydrant Lock for barrel lock (BHLB)
- Breakaway Hydrant Lock for padlock (BHLP)

TYPICAL INSTALLATION



RPHBM SERIES - HIGH CAPACITY HYDRANT BACKFLOW AND METER COMBINATION



APPLICATIONS

Combines a meter and backflow preventer in a common package. Helps maintain water quality while generating revenue for the water purveyor.

FEATURES

- 3"
- 175 psi max
- 140°F max
- Max intermittent flow rate 650 gpm
- Max continuous flow rate 450 gpm
- Min flow rate 2½ gpm
- Epoxy coated aluminum body with approved internal components and relief valve

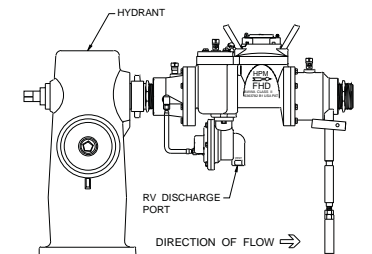
APPROVALS AND APPLICABLE SPECIFICATIONS

- Meets the requirements of ANSI/AWWA C701-88 class II (for meter only)
- Meets the design requirements of most national standards. Due to the portability of the assembly, there are no national approvals available

ACCESSORIES

- Breakaway hydrant lock for barrel lock (BHLB)
- Breakaway hydrant lock for padlock (BHLP)

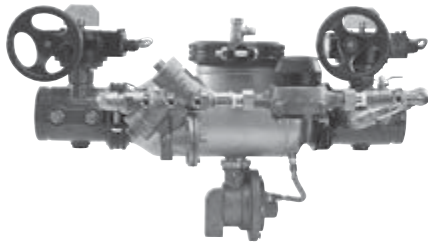
TYPICAL INSTALLATION



SIZE	INLET X OUTLET CONNECTIONS / OPTIONS	LEAD-FREE EXEMPT PART NUMBER	LEAD-FREE EXEMPT LIST PRICE EA.
2" HBM			
2"	2-1/2" Swivel FNH X 2-1/2" MNH, GPM Meter	2-975XLHBM	5,346.00
2"	2-1/2" Swivel FNH X 2-1/2" MNH, CFM Meter	2-975XLHBMCFM	5,346.00
2"	2-1/2" Swivel FNH X 2-1/2" MNH, Cubic Meter Register	2-975XLHBMCM	5,346.00
2"	2-1/2" Swivel FNH X 2-1/2" MNH, Less Meter	2-975XLHBMML	2,316.00
2"	2-1/2" FNPT x 2" MNPT, GPM Meter, Less Hose Connections	2-975XLHBMML	4,583.00
2"	2-1/2" FNPT x 2" MNPT, CFM Meter, Less Hose Connections	2-975XLHBMCFML	4,583.00
2"	2-1/2" FNPT x 2" MNPT, Cubic Meter Register, Less Hose Connections	2-975XLHBMCMML	4,583.00
2"	2" MNPT x 2" MNPT, Less Hose Connections, Less Meter	2-975XLHBMML	1,697.00
3" RPHBM			
3"	2-1/2" Swivel FNH X 2-1/2" MNH, GPM Meter	3-RPHBM	8,639.00
3"	2-1/2" Swivel FNH X 2-1/2" MNH, CFM Meter	3-RPHBMCFM	8,639.00
3"	2-1/2" Swivel FNH X 2-1/2" MNH, GPM Meter, NRS Outlet Gate Valve	3-RPHBMGV	9,800.00
3"	2-1/2" Swivel FNH X 2-1/2" MNH, CFM Meter, NRS Outlet Gate Valve	3-RPHBMCFMGV	9,800.00
HBM ACCESSORIES			
2"	HBM Adjustable Support Stand, For 2" 975XLHBM	HBM-55	491.00
3"	HBM Adjustable Support Stand, For 3" RPHBM	HBM-55A	737.00
	Breakaway Hydrant Lock for Padlock (Lock Not Included)	HBM-BHLP	644.00
	Breakaway Hydrant Lock for Barrel Lock (Lock Not Included)	HBM-BHLB	430.00

For additional product information, please visit www.zurn.com.

375ASTDA SERIES – REDUCED PRESSURE PRINCIPLE DETECTOR ASSEMBLY WITH STAINLESS STEEL BODY



APPLICATIONS

Fire protection Reduced Pressure Principal Assembly constructed around a corrosion resistant, stainless steel body. Used in high health hazard applications.

FEATURES

- 2-1/2" - 10"
- 175 psi max
- 140°F max
- Grooved or flanged end connections
- Improved Compound Check design
- Lower maintenance costs from corrosion resistance of stainless body

APPROVALS AND APPLICABLE SPECIFICATIONS

- Approved by the Foundation for Cross Connection Control and Hydraulic Research at the University of Southern California
- ASSE® Listed 1047, AWWA Compliant C550, UL® Classified, C-UL® Classified, FM® Approved, CSA® Certified
- Certified to NSF/ANSI 61 and 372

ACCESSORIES

- Air gap (Model AG)
- Repair kit
- OS&Y gate valve tamper switch (OSY-40)
- Available with CFM water meter (5/8" x 3/4")

TYPICAL INSTALLATION

See next page for 375ASTDA SERIES - Typical Installation

SIZE	LEAD-FREE PART NUMBER	LEAD-FREE LIST PRICE EA.
375ASTDA: FLANGED OSY X FLANGED OSY		
2-1/2"	212-375ASTDA	7,705.00
3"	3-375ASTDA	8,124.00
4"	4-375ASTDA	9,240.00
6"	6-375ASTDA	12,857.00
8"	8-375ASTDA	21,848.00
10"	10-375ASTDA	27,970.00
<i>For grooved options, part number will be designated using "GF", "FG" or "G" (e.g. 212-375ASTDAFG, 4-375ASTDAGF, 10-375ASTDAG).</i>		
375ASTDAPI: FLANGED PI X FLANGED PI		
2-1/2"	212-375ASTDAPI	7,705.00
3"	3-375ASTDAPI	8,124.00
4"	4-375ASTDAPI	9,240.00
6"	6-375ASTDAPI	12,857.00
8"	8-375ASTDAPI	21,847.00
10"	10-375ASTDAPI	27,970.00
<i>For grooved options, part number will be designated using "GF", "FG" or "G" (e.g. 212-375ASTDAPIFG, 4-375ASTDAPIGF, 10-375ASTDAPIG).</i>		

SIZE	LEAD-FREE PART NUMBER	LEAD-FREE LIST PRICE EA.
375ASTDABG: GROOVED BG X GROOVED BG (TAMPED BUTTERFLY VALVES)		
2-1/2"	212-375ASTDABG	7,928.00
3"	3-375ASTDABG	8,456.00
4"	4-375ASTDABG	10,174.00
6"	6-375ASTDABG	14,155.00
8"	8-375ASTDABG	24,054.00
10"	10-375ASTDABG	29,203.00

SIZE	LEAD-FREE PART NUMBER	LEAD-FREE LIST PRICE EA.
375ASTDABF: FLANGED BF X FLANGED BF (TAMPED BUTTERFLY VALVES)		
2-1/2"	212-375ASTDABF	8,079.00
3"	3-375ASTDABF	8,706.00
4"	4-375ASTDABF	10,500.00
6"	6-375ASTDABF	14,572.00
8"	8-375ASTDABF	24,491.00
10"	10-375ASTDABF	29,669.00

SIZE	LEAD-FREE PART NUMBER	LEAD-FREE LIST PRICE EA.
375ASTDABFG: FLANGED BF X GROOVED BG (TAMPED BUTTERFLY VALVES)		
2-1/2"	212-375ASTDABFG	8,003.00
3"	3-375ASTDABFG	8,581.00
4"	4-375ASTDABFG	10,337.00
6"	6-375ASTDABFG	14,363.00
8"	8-375ASTDABFG	24,272.00
10"	10-375ASTDABFG	29,436.00

375ASTDA WITH OSY AND PI SHUT-OFF VALVE COMBINATIONS

SIZE	LEAD-FREE PART NUMBER	LEAD-FREE LIST PRICE EA.
2-1/2" - 10"		Use OSY Pricing
<i>For grooved options, part number will be designated using "GF", "FG" or "G" (e.g. 212-375ASTDAPIOSYFG, 4-375ASTDAOSYPIGF, 10-375ASTDAOSYPIG).</i>		

SIZE	LEAD-FREE PART NUMBER	LEAD-FREE LIST PRICE EA.
375ASTDAOSYBFG: FLANGED OSY X GROOVED BG (TAMPED BUTTERFLY VALVE)		
2-1/2"	212-375ASTDAOSYBFG	7,816.00
3"	3-375ASTDAOSYBFG	8,290.00
4"	4-375ASTDAOSYBFG	9,707.00
6"	6-375ASTDAOSYBFG	13,506.00
8"	8-375ASTDAOSYBFG	22,951.00
10"	10-375ASTDAOSYBFG	28,587.00

SIZE	LEAD-FREE PART NUMBER	LEAD-FREE LIST PRICE EA.
375ASTDAPIBFG: FLANGED PI X GROOVED BG (TAMPED BUTTERFLY VALVE)		
2-1/2"	212-375ASTDAPIBFG	7,816.00
3"	3-375ASTDAPIBFG	8,290.00
4"	4-375ASTDAPIBFG	9,707.00
6"	6-375ASTDAPIBFG	13,506.00
8"	8-375ASTDAPIBFG	22,951.00
10"	10-375ASTDAPIBFG	28,587.00
<i>For grooved options, part number will be designated using "GF", "FG" or "G" (e.g. 212-375ASTDAOSYBFG, 4-375ASTDABOSYGF, 10-375ASTDAPIBFG).</i>		

OPTIONS AND LIST PRICE ADDERS (ADD OPTION TO LIST PRICE TO DETERMINE TOTAL LIST PRICE)

OPTION	LEAD-FREE LIST PRICE EA.
CUBIC FEET METER (CFM) OPTION	
2-1/2" - 10"	No Charge
<i>Part number will be designated using "CFM" (e.g. 212-375ASTDACFM, 4-375ASTDACFMFG, 10-375ASTDACFMOSYPIG).</i>	

OPTION	LEAD-FREE LIST PRICE EA.
SENSUS CUBIC FEET METER (SCFM) OPTION	
2-1/2" - 10"	186.00
<i>Part number will be designated using "SCFM" (e.g. 212-375ASTDASCfm, 4-375ASTDASCfmFG, 10-375ASTDASCfmOSYPIG).</i>	

OPTION	LEAD-FREE LIST PRICE EA.
LESS METER (LM) OPTION	
2-1/2" - 10"	(292.00)
<i>Part number will be designated using "LM" (e.g. 212-375ASTDALM, 4-375ASTDALMFG, 10-375ASTDALMOSYPIG).</i>	

OPTIONS AND LIST PRICE ADDERS (ADD OPTION TO LIST PRICE TO DETERMINE TOTAL LIST PRICE)

OPTION	LEAD-FREE LIST PRICE EA.
AIR GAP (-AG) OPTION	
2-1/2" - 6"	AG Option, Iron Air Gap (AG-6) 182.00
8" - 10"	AG Option, Iron Air Gap (AG-7) 300.00

Part number will be designated using "-AG" (e.g. 212-375ASTDA-AG, 4-375ASTDALMFG-AG, 10-375ASTDAOSYPIG-AG).

OPTION	LEAD-FREE LIST PRICE EA.
RELIEF VALVE MONITOR SWITCH (MS) OPTION	
2-1/2" - 6"	1,048.00
8" - 10"	1,433.00

Part number will be designated using "MS" (e.g. 212-375ASTDAMS, 4-375ASTDAMSFG, 10-375ASTDAMSOSYPIG).

OPTION	LEAD-FREE LIST PRICE EA.
FSC STRAINER (FSC) OPTION WITH BOLT KIT, FLANGED X FLANGED CONNECTION	
2-1/2"	497.00
3"	604.00
4"	984.00
6"	1,582.00
8"	3,141.00
10"	5,443.00

Part number will be designated using "FSC" (e.g. 212-375ASTDAFSC, 4-375ASTDAFSC, 10-375ASTDAOSYPIFSC).

300AR SERIES - REPLACEMENT BACKFLOW ASSEMBLY (2-1/2" - 10")

Custom Length Double Check Valve Assembly for drop in replacements. Stainless Steel Grooved x Grooved Nipple Installed Between the Backflow Valve and the Outlet Shut-Off Valve. Can be used with grooved backflow models. For replacement of longer lay-length backflow preventers.

375ASTDAR list price adder to be added to list price of the 375ASTDA to determine total list price.

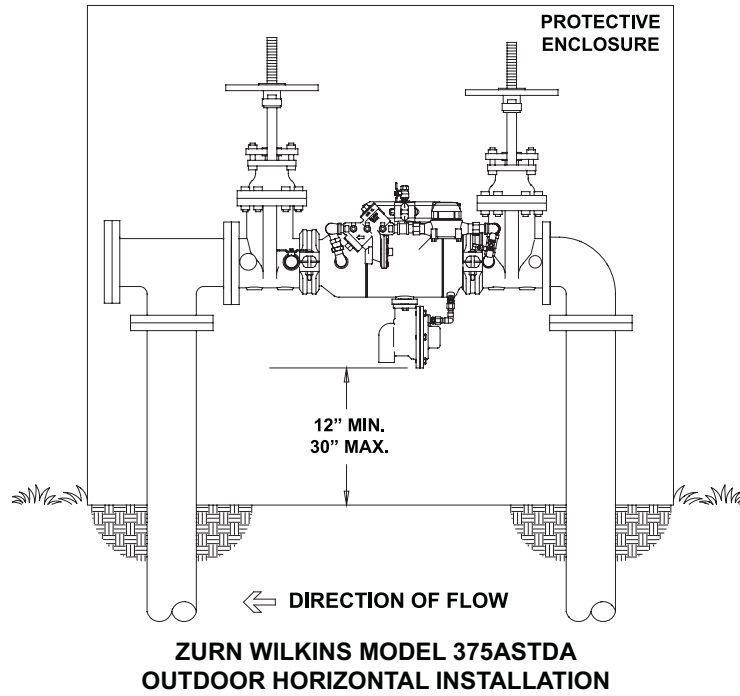
See order form and product specification sheet on the website for details and options.

SIZE	INLET X OUTLET CONNECTIONS / OPTIONS	LEAD-FREE LIST PRICE ADDER EA.
2-1/2"	Length Range "A": Up to 47-1/8"	545.00
3"	Length Range "A": Up to 48-1/8"	567.00
4"	Length Range "A": Up to 50"	657.00
4"	Length Range "B": Up to 62-1/4"	759.00
6"	Length Range "A": Up to 59"	877.00
6"	Length Range "B": Up to 71-1/4"	1,021.00
8"	Length Range "A": Up to 74"	1,173.00
8"	Length Range "B": Up to 86"	1,363.00
10"	Length Range "A": Up to 77"	1,422.00
10"	Length Range "B": Up to 89"	1,677.00
10"	Length Range "C": Up to 100-5/8"	1,931.00

Part number will be designated using "375ASTDAR-X", where X = the Length Range (e.g. 212-375ASTDAR-A, 4-375ASTDAR-B, 10-375ASTDAR-C).

375ASTDA SERIES – REDUCED PRESSURE DETECTOR ASSEMBLY WITH STAINLESS STEEL BODY

TYPICAL INSTALLATION



BACKFLOW
PREVENTERS

BACKFLOW/PREVENTERS
ACCESSORIES

STRAINERS

AUTOMATIC
CONTROL VALVES

PRESSURE
REDUCING VALVES

FIRE
PROTECTION VALVES

THERMOSTATIC
MIXING VALVES

RELIEF VALVES

MISCELLANEOUS
PLUMBING PRODUCTS

REPAIR KITS

375ADA /375DA SERIES – REDUCED PRESSURE PRINCIPLE DETECTOR ASSEMBLY



APPLICATIONS

Ideal for fire protection applications. Epoxy coated, ductile iron Zurn Wilkins 375ADA Reduced Pressure Principal Valve Assembly with integral by-pass consisting of a water meter in series with a Reduced Pressure Principal backflow preventer.

FEATURES

- 2-1/2" - 10"
- 175 psi max
- 140°F max
- Resilient wedge OS&Y gate valves standard
- Epoxy-coated ductile iron body
- Modular, Center-Stem Guided Compound Checks

APPROVALS AND APPLICABLE SPECIFICATIONS

- Approved by the Foundation for Cross-Connection Control and Hydraulic Research at the University of Southern California
- ASSE Listed 1047 375DA, UL Classified, FM Approved, C-UL Classified
- Certified to NSF/ANSI 61 and 372

ACCESSORIES

- Air gap (Model AG)
- OS&Y gate valve supervisory switch (OSY-40)
- Available with CFM water meter (5/8" x 3/4")
- Repair kit

SIZE	LEAD-FREE PART NUMBER	LEAD-FREE LIST PRICE EA.
375ADA: FLANGED OSY X FLANGED OSY		
2-1/2"	212-375ADA	7,705.00
3"	3-375ADA	8,124.00
4"	4-375ADA	9,240.00
6"	6-375ADA	12,857.00
8"	8-375ADA	21,848.00
10"	10-375ADA	27,970.00

For grooved options, part number will be designated using "GF", "FG" or "G" (e.g. 212-375ADAFG, 4-375ADAGF, 10-375ADAG).

SIZE	LEAD-FREE PART NUMBER	LEAD-FREE LIST PRICE EA.
375ADAPI: FLANGED PI X FLANGED PI		
2-1/2"	212-375ADAPI	7,705.00
3"	3-375ADAPI	8,124.00
4"	4-375ADAPI	9,240.00
6"	6-375ADAPI	12,857.00
8"	8-375ADAPI	21,847.00
10"	10-375ADAPI	27,970.00

For grooved options, part number will be designated using "GF", "FG" or "G" (e.g. 212-375ADAPIFG, 4-375ADAPIGF, 10-375ADAPIG).

SIZE	LEAD-FREE PART NUMBER	LEAD-FREE LIST PRICE EA.
375ADABG: GROOVED BG X GROOVED BG (TAMPURED BUTTERFLY VALVES)		
2-1/2"	212-375ADABG	7,928.00
3"	3-375ADABG	8,456.00
4"	4-375ADABG	10,174.00
6"	6-375ADABG	14,155.00
8"	8-375ADABG	24,054.00
10"	10-375ADABG	29,203.00

SIZE	LEAD-FREE PART NUMBER	LEAD-FREE LIST PRICE EA.
375ADABF: FLANGED BF X FLANGED BF		
2-1/2"	212-375ADABF	8,079.00
3"	3-375ADABF	8,706.00
4"	4-375ADABF	10,500.00
6"	6-375ADABF	14,572.00
8"	8-375ADABF	24,491.00
10"	10-375ADABF	29,669.00

SIZE	LEAD-FREE PART NUMBER	LEAD-FREE LIST PRICE EA.
375ADABFG: FLANGED BF X GROOVED BG (TAMPURED BUTTERFLY VALVES)		
2-1/2"	212-375ADABFG	8,003.00
3"	3-375ADABFG	8,581.00
4"	4-375ADABFG	10,337.00
6"	6-375ADABFG	14,363.00
8"	8-375ADABFG	24,272.00
10"	10-375ADABFG	29,436.00

SIZE	LEAD-FREE LIST PRICE EA.
375ADA WITH OSY AND PI SHUT-OFF VALVE COMBINATIONS	
2-1/2" - 10"	Use OSY Pricing

For grooved options, part number will be designated using "GF", "FG" or "G" (e.g. 212-375ADAPIOSYFG, 4-375ADAOSYPIGF, 10-375ADAOSYPIG).

SIZE	LEAD-FREE PART NUMBER	LEAD-FREE LIST PRICE EA.
375ADAOSYBFG: FLANGED OSY X GROOVED BG (TAMPURED BUTTERFLY VALVE)		
2-1/2"	212-375ADAOSYBFG	7,816.00
3"	3-375ADAOSYBFG	8,290.00
4"	4-375ADAOSYBFG	9,707.00
6"	6-375ADAOSYBFG	13,506.00
8"	8-375ADAOSYBFG	22,951.00
10"	10-375ADAOSYBFG	28,587.00

SIZE	LEAD-FREE PART NUMBER	LEAD-FREE LIST PRICE EA.
375ADAPIBFG: FLANGED PI X GROOVED BG (TAMPURED BUTTERFLY VALVE)		
2-1/2"	212-375ADAPIBFG	7,816.00
3"	3-375ADAPIBFG	8,290.00
4"	4-375ADAPIBFG	9,707.00
6"	6-375ADAPIBFG	13,506.00
8"	8-375ADAPIBFG	22,951.00
10"	10-375ADAPIBFG	28,587.00

For grooved options, part number will be designated using "GF", "FG" or "G" (e.g. 212-375ADAOSYBFG, 4-375ADABOSYGF, 10-375ADAPIBFG).

SIZE	LEAD-FREE PART NUMBER	LEAD-FREE LIST PRICE EA.
375ADAL: LESS SHUT-OFF VALVES		
2-1/2"	212-375ADAL	5,423.00
3"	3-375ADAL	5,695.00
4"	4-375ADAL	6,492.00
6"	6-375ADAL	9,261.00
8"	8-375ADAL	15,834.00
10"	10-375ADAL	21,101.00

Part number will be designated using "L" (e.g. 212-375ADAL, 4-375ADALCFM, 10-375ADALSCFM).

300AR SERIES - REPLACEMENT BACKFLOW ASSEMBLY (2-1/2" - 10")
 Custom Length Double Check Valve Assembly for drop in replacements. Stainless Steel Grooved x Grooved Nipple Installed Between the Backflow Valve and the Outlet Shut-Off Valve. Can be used with grooved backflow models. For replacement of longer lay-length backflow preventers.

375ADAR list price adder to be added to list price of the 375ADA to determine total list price.

See order form and product specification sheet on the website for details and options.

SIZE	INLET X OUTLET CONNECTIONS / OPTIONS	LEAD-FREE LIST PRICE ADDER EA.
2-1/2"	Length Range "A": Up to 47-1/8"	545.00
3"	Length Range "A": Up to 48-1/8"	567.00
4"	Length Range "A": Up to 50"	657.00
4"	Length Range "B": Up to 62-1/4"	759.00
6"	Length Range "A": Up to 59"	877.00
6"	Length Range "B": Up to 71-1/4"	1,021.00
8"	Length Range "A": Up to 74"	1,173.00
8"	Length Range "B": Up to 86"	1,363.00
10"	Length Range "A": Up to 77"	1,422.00
10"	Length Range "B": Up to 89"	1,677.00
10"	Length Range "C": Up to 100-5/8"	1,931.00

Part number will be designated using "375ADAR-X", where X = the Length Range (e.g. 212-375ADAR-A, 4-375ADAR-B, 10-375ADAR-C).

375ADA /375DA SERIES – REDUCED PRESSURE PRINCIPLE DETECTOR ASSEMBLY (CONTINUED)

SIZE	LEAD-FREE PART NUMBER	LEAD-FREE LIST PRICE EA.
375DA: FLANGED OSY X FLANGED OSY		
2"	2-375DA	7,664.00
2-1/2"	212-375DA	7,201.00
3"	3-375DA	7,478.00
4"	4-375DA	9,240.00
6"	6-375DA	12,857.00
8"	8-375DA	21,848.00
10"	10-375DA	27,970.00

For grooved options, part number will be designated using "GF", "FG" or "G" (e.g. 212-375DAFG, 4-375DAGF, 10-375DAG).

SIZE	LEAD-FREE PART NUMBER	LEAD-FREE LIST PRICE EA.
375DAPI: FLANGED PI X FLANGED PI		
2"	2-375DAPI	7,664.00
2-1/2"	212-375DAPI	7,201.00
3"	3-375DAPI	7,478.00
4"	4-375DAPI	9,240.00
6"	6-375DAPI	12,857.00
8"	8-375DAPI	21,847.00
10"	10-375DAPI	27,970.00

For grooved options, part number will be designated using "GF", "FG" or "G" (e.g. 212-375DAPIFG, 4-375DAPIGF, 10-375DAPIG).

SIZE	LEAD-FREE PART NUMBER	LEAD-FREE LIST PRICE EA.
375DA WITH OSY AND PI SHUT-OFF VALVE COMBINATIONS		
2-1/2" - 10"		Use OSY Pricing

For grooved options, part number will be designated using "GF", "FG" or "G" (e.g. 212-375DAPIOSYFG, 4-375DAOSYPIGF, 10-375DAOSYPIG).

SIZE	LEAD-FREE PART NUMBER	LEAD-FREE LIST PRICE EA.
MODEL 375DAL: FLANGED X FLANGED, LESS SHUT-OFF VALVES		
2"	2-375DAL	5,466.00
2-1/2"	212-375DAL	4,956.00
3"	3-375DAL	4,975.00
4"	4-375DAL	6,492.00
6"	6-375DAL	9,261.00
8"	8-375DAL	15,834.00
10"	10-375DAL	21,101.00

Part number will be designated using "L" (e.g. 4-375DAL, 6-375DALCFM, 10-375DALSCFM).

OPTIONS AND LIST PRICE ADDERS (ADD OPTION TO LIST PRICE TO DETERMINE TOTAL LIST PRICE)

SIZE	LIST PRICE EA.
CUBIC FEET METER (CFM) OPTION	
2" - 10"	No Charge

Part number will be designated using "CFM" (e.g. 212-375DACFM, 4-375DACFMFG, 10-375DACFMOSYPIG).

SIZE	LIST PRICE EA.
SENSUS CUBIC FEET METER (SCFM) OPTION	
2" - 10"	186.00

Part number will be designated using "SCFM" (e.g. 212-375DASCfm, 4-375DASCfmFG, 10-375DASCfmOSYPIG).

SIZE	LIST PRICE EA.
LESS METER (LM) OPTION	
2" - 10"	(292.00)

Part number will be designated using "LM" (e.g. 212-375DALM, 4-375DALMFG, 10-375DALMOSYPIG).

SIZE	LIST PRICE EA.
AIR GAP (-AG) OPTION	
2" - 6"	AG Option, Iron Air Gap (AG-6) 182.00
8" - 10"	AG Option, Iron Air Gap (AG-7) 300.00

Part number will be designated using "-AG" (e.g. 212-375DA-AG, 4-375DALMFG-AG, 10-375DAOSYPIG-AG).

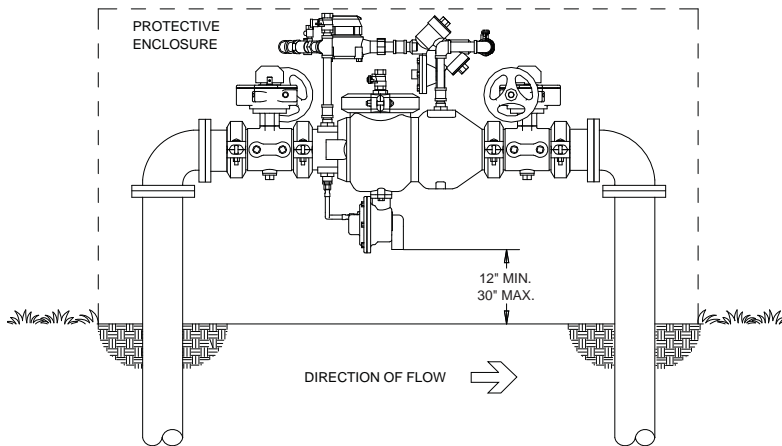
SIZE	LIST PRICE EA.
RELIEF VALVE MONITOR SWITCH (MS) OPTION	
2" - 6"	1,048.00
8" - 10"	1,433.00

Part number will be designated using "MS" (e.g. 212-375DAMS, 4-375DAMSFG, 10-375DAMSOSYPIG).

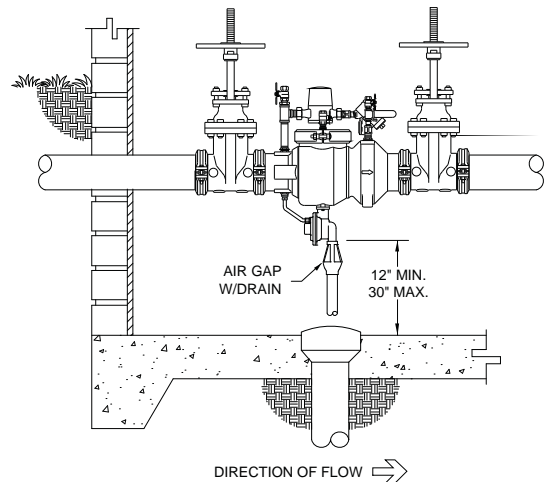
SIZE	LIST PRICE EA.
FSC STRAINER (FSC) OPTION WITH BOLT KIT, FLANGED X FLANGED CONNECTION	
2-1/2"	497.00
3"	604.00
4"	984.00
6"	1,582.00
8"	3,141.00
10"	5,443.00

Part number will be designated using "FSC" (e.g. 212-375DAFSC, 4-375DAFSC, 10-375PIFSC). Lead-Free Law Compliant.

TYPICAL INSTALLATION



OUTDOOR INSTALLATION (MODEL 375ADABG)



INDOOR INSTALLATION (MODEL 375ADAG)

BACKFLOW PREVENTERS
ACCESSORIES
STRAINERS
AUTOMATIC CONTROL VALVES
PRESSURE REDUCING VALVES
FIRE PROTECTION VALVES
THERMOSTATIC MIXING VALVES
RELIEF VALVES
MISCELLANEOUS PLUMBING PRODUCTS
REPAIR KITS

475STDA/475STDAV SERIES – REDUCED PRESSURE PRINCIPLE DETECTOR ASSEMBLY WITH STAINLESS STEEL BODY



SIZE	LEAD-FREE PART NUMBER	LEAD-FREE LIST PRICE EA.
475STDA: FLANGED OSY X FLANGED OSY		
4"	4-475STDA	11,436.00
6"	6-475STDA	16,702.00
8"	8-475STDA	28,393.00
10"	10-475STDA	37,115.00
475STDAV: FLANGED OSY X FLANGED OSY		
4"	4-475STDAV	11,436.00
6"	6-475STDAV	16,702.00
8"	8-475STDAV	28,393.00
10"	10-475STDAV	37,115.00
475STDAR: FLANGED OSY X FLANGED OSY REPLACEMENT BACKFLOW		
4"	4-475STDAR	11,601.00
6"	6-475STDAR	16,869.00
8"	8-475STDAR	28,942.00
10"	10-475STDAR	37,824.00
475STDARV: FLANGED OSY X FLANGED OSY REPLACEMENT BACKFLOW		
4"	4-475STDARV	11,436.00
6"	6-475STDARV	16,702.00
8"	8-475STDARV	28,712.00
10"	10-475STDARV	37,791.00

APPLICATIONS

Designed for drop in replacement of competitor valves and new installation on water lines in fire protection systems to protect against both backsiphonage and backpressure of contaminated water into the potable water supply. The Model 475STDA shall provide protection in a high hazard health application. The configuration 475STDAV is for applications requiring vertical flow up. Incorporates metered by-pass to detect leaks and unauthorized water use.

FEATURES

- 4" - 10"
- 175 psi max
- 140°F max
- n-Pattern space saving design
- Available in up/down (475STDA) or up/up (475STDAV) configuration
- Stainless steel body
- Direct drop in replacement of competitor valves
- The by-pass assembly consists of a water meter in series with a reduced pressure principle backflow preventer

APPROVALS AND APPLICABLE SPECIFICATIONS

- Foundation for Cross-Connection Control and Hydraulic Research at the University of Southern California (pending, see www.zurn.com for current information)
- ASSE® Listed 1013, UL® Classified, FM® Approved, UL® Classified, CSA® Certified, AWWA Compliant C511 (with gates only), and C550
- Certified to NSF/ANSI 61

ACCESSORIES

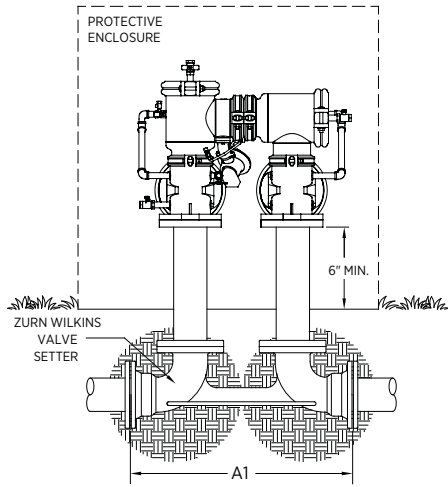
- Air gap (Model AG)
- Valve setter (Model FLSST or MJSST or MJFSST)
- OS&Y gate valve supervisory switch (OSY-40)

TYPICAL INSTALLATION

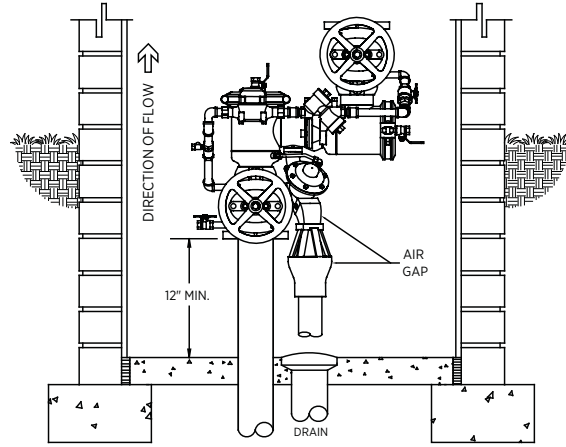
See next page

475STDA/475STDAV SERIES – REDUCED PRESSURE PRINCIPLE DETECTOR ASSEMBLY WITH STAINLESS STEEL BODY (CONTINUED)

TYPICAL INSTALLATION



OUTDOOR INSTALLATION



VERTICAL INSTALLATION

BACKFLOW PREVENTERS

BACKFLOW PREVENTERS ACCESSORIES

STRAINERS

AUTOMATIC CONTROL VALVES

PRESSURE REDUCING VALVES

FIRE PROTECTION VALVES

THERMOSTATIC MIXING VALVES

RELIEF VALVES

MISCELLANEOUS PLUMBING PRODUCTS

REPAIR KITS

475DA/475DAV SERIES – REDUCED PRESSURE PRINCIPLE DETECTOR ASSEMBLY



APPLICATIONS

Reduced Pressure Detector Assembly for high hazard fire protection system applications. Small footprint and vertical flow for new or retrofit installations with the Zurn Wilkins 475DA and 475DAV.

FEATURES

- 4" - 10"
- 175 psi max
- 140°F max
- Available in up/down (475DA) or up/up (475DAV) configuration
- The by-pass assembly consists of a water meter in series with a reduced pressure principle backflow preventer
- Epoxy coated ductile iron body
- Modular, Center-Stem Guided Compound Checks

APPROVALS AND APPLICABLE SPECIFICATIONS

- Approved by the Foundation for Cross-Connection Control and Hydraulic Research at the University of Southern California (sizes 4" - 8")
- UL® Classified, C-UL® Classified, AWWA Compliant
- ASSE® Listed 1047 (4" - 8)
- FM approved (4" - 8")
- Certified to NSF/ANSI 61 and 372

ACCESSORIES

- Air gap (Model AG)
- Valve setter (Model FLS or MJS or MJFS)
- OS&Y gate valve supervisory switch (OSY-40)
- Available with CFM water meter (5/8" x 3/4")
- Repair kit

SIZE	LEAD-FREE PART NUMBER	LEAD-FREE LIST PRICE EA.
475DA: FLANGED OSY X FLANGED OSY		
4"	4-475DA	10,032.00
6"	6-475DA	14,651.00
8"	8-475DA	24,906.00
10"	10-475DA	32,557.00

For grooved options, part number will be designated using "GF", "FG" or "G" (e.g. 4-475DAFG, 6-475DAGF, 10-475DAG).

SIZE	LEAD-FREE PART NUMBER	LEAD-FREE LIST PRICE EA.
475DAPI: FLANGED PI X FLANGED PI		
4"	4-475DAPI	10,032.00
6"	6-475DAPI	14,651.00
8"	8-475DAPI	24,906.00
10"	10-475DAPI	31,006.00

For grooved options, part number will be designated using "GF", "FG" or "G" (e.g. 4-475DAPIFG, 6-475DAPIGF, 10-475DAPIG).

SIZE	LEAD-FREE PART NUMBER	LEAD-FREE LIST PRICE EA.
475DABG: GROOVED BG X GROOVED BG (TAMPED BUTTERFLY VALVES)		
4"	4-475DABG	10,834.00
6"	6-475DABG	16,130.00
8"	8-475DABG	27,421.00
10"	10-475DABG	34,236.00

SIZE	LEAD-FREE PART NUMBER	LEAD-FREE LIST PRICE EA.
475DABF: FLANGED BF X FLANGED BF (TAMPED BUTTERFLY VALVES)		
4"	4-475DABF	11,160.00
6"	6-475DABF	16,547.00
8"	8-475DABF	27,858.00
10"	10-475DABF	34,702.00

SIZE	LEAD-FREE PART NUMBER	LEAD-FREE LIST PRICE EA.
475DABFG: FLANGED BF X GROOVED BG (TAMPED BUTTERFLY VALVES)		
4"	4-475DABFG	10,997.00
6"	6-475DABFG	16,339.00
8"	8-475DABFG	27,639.00
10"	10-475DABFG	34,469.00

SIZE	LEAD-FREE PART NUMBER	LEAD-FREE LIST PRICE EA.
475DA WITH OSY AND PI SHUT-OFF VALVE COMBINATIONS		
4" - 10"		Use OSY Pricing

For grooved options, part number will be designated using "GF", "FG" or "G" (e.g. 4-475DAPIOSYFG, 6-475DAOSYPIGF, 10-475DAOSYPIG).

SIZE	LEAD-FREE PART NUMBER	LEAD-FREE LIST PRICE EA.
475DAOSYBG: GROOVED OSY X GROOVED BG (TAMPED BUTTERFLY VALVE)		
4"	4-475DAOSYBG	10,538.00
6"	6-475DAOSYBG	15,391.00
8"	8-475DAOSYBG	26,163.00
10"	10-475DAOSYBG	33,397.00

SIZE	LEAD-FREE PART NUMBER	LEAD-FREE LIST PRICE EA.
475DAPIBG: GROOVED PI X GROOVED BG (TAMPED BUTTERFLY VALVE)		
4"	4-475DAPIBG	10,538.00
6"	6-475DAPIBG	15,391.00
8"	8-475DAPIBG	26,163.00
10"	10-475DAPIBG	33,397.00

For grooved options, part number will be designated using "GF", "FG" or "G" (e.g. 4-475DAOSYBFG, 6-475DABOSYGF, 10-475DAPIBG).

SIZE	LEAD-FREE PART NUMBER	LEAD-FREE LIST PRICE EA.
475DAL: GROOVED X GROOVED, LESS SHUT-OFF VALVES		
4"	4-475DAL	7,365.00
6"	6-475DAL	10,637.00
8"	8-475DAL	20,791.00
10"	10-475DAL	27,179.00

Part number will be designated using "L" (e.g. 4-475DAL, 6-475DALCFM, 10-475DALSCFM).

475DA/475DAV SERIES – REDUCED PRESSURE PRINCIPLE DETECTOR ASSEMBLY (CONTINUED)

SIZE	LEAD-FREE PART NUMBER	LEAD-FREE LIST PRICE EA.
475DAV: FLANGED OSY X FLANGED OSY		
4"	4-475DAV	10,032.00
6"	6-475DAV	14,651.00
8"	8-475DAV	24,906.00
10"	10-475DAV	32,557.00

For grooved options, part number will be designated using "GF", "FG" or "G" (e.g. 4-475DAVFG, 6-475DAVGF, 10-475DAVG).

SIZE	LEAD-FREE PART NUMBER	LEAD-FREE LIST PRICE EA.
475DAVPI: FLANGED PI X FLANGED PI		
4"	4-475DAVPI	10,032.00
6"	6-475DAVPI	14,651.00
8"	8-475DAVPI	24,906.00
10"	10-475DAVPI	32,557.00

For grooved options, part number will be designated using "GF", "FG" or "G" (e.g. 4-475DAVPIFG, 6-475DAVPIGF, 10-475DAVPIG).

SIZE	LEAD-FREE PART NUMBER	LEAD-FREE LIST PRICE EA.
475DAVBG: GROOVED BG X GROOVED BG (TAMPED BUTTERFLY VALVES)		
4"	4-475DAVBG	10,318.00
6"	6-475DAVBG	15,362.00
8"	8-475DAVBG	26,115.00
10"	10-475DAVBG	32,606.00

SIZE	LEAD-FREE PART NUMBER	LEAD-FREE LIST PRICE EA.
475DAVBF: FLANGED BF X FLANGED BF (TAMPED BUTTERFLY VALVES)		
4"	4-475DAVBF	10,644.00
6"	6-475DAVBF	15,779.00
8"	8-475DAVBF	26,552.00
10"	10-475DAVBF	33,072.00

SIZE	LEAD-FREE PART NUMBER	LEAD-FREE LIST PRICE EA.
475DAVBFG: FLANGED BF X GROOVED BG (TAMPED BUTTERFLY VALVES)		
4"	4-475DAVBFG	10,481.00
6"	6-475DAVBFG	15,571.00
8"	8-475DAVBFG	26,333.00
10"	10-475DAVBFG	32,839.00

SIZE	LEAD-FREE PART NUMBER	LEAD-FREE LIST PRICE EA.
475DAV WITH OSY AND PI SHUT-OFF VALVE COMBINATIONS		
4" - 10"		Use OSY Pricing

For grooved options, part number will be designated using "GF", "FG" or "G" (e.g. 4-475DAVPIOSYFG, 6-475DAVOSYPIGF, 10-475DAVOSYPIG).

SIZE	LEAD-FREE PART NUMBER	LEAD-FREE LIST PRICE EA.
475DAVOSYBG: GROOVED OSY X GROOVED BG (TAMPED BUTTERFLY VALVE)		
4"	4-475DAVOSYBG	10,538.00
6"	6-475DAVOSYBG	15,391.00
8"	8-475DAVOSYBG	26,163.00
10"	10-475DAVOSYBG	33,397.00

SIZE	LEAD-FREE PART NUMBER	LEAD-FREE LIST PRICE EA.
475DAVPIBG: GROOVED PI X GROOVED BG (TAMPED BUTTERFLY VALVE)		
4"	4-475DAVPIBG	10,538.00
6"	6-475DAVPIBG	15,391.00
8"	8-475DAVPIBG	26,163.00
10"	10-475DAVPIBG	33,397.00

SIZE	LEAD-FREE PART NUMBER	LEAD-FREE LIST PRICE EA.
475DAVL: GROOVED X GROOVED, LESS GATE VALVES		
4"	4-475DAVL	7,365.00
6"	6-475DAVL	10,637.00
8"	8-475DAVL	21,066.00
10"	10-475DAVL	27,179.00

Part number will be designated using "L" (e.g. 4-475DAVL, 6-475DAVLCFM, 10-475DAVLSCFM).

OPTIONS AND LIST PRICE ADDERS (ADD OPTION TO LIST PRICE TO DETERMINE TOTAL LIST PRICE)

OPTION	LIST PRICE
CUBIC FEET METER (CFM) OPTION	
4" - 10"	No Charge

Part number will be designated using "CFM" (e.g. 4-475DAVCFM, 6-475DAVCFMFG, 10-475DAVCFMOSYPIG).

OPTION	LIST PRICE
SENSUS CUBIC FEET METER (SCFM) OPTION	
4" - 10"	186.00

Part number will be designated using "SCFM" (e.g. 4-475DAVSCFM, 6-475DAVSCFMFG, 10-475DAVSCFMOSYPIG).

OPTION	LIST PRICE
LESS METER (LM) OPTION	
4" - 10"	(292.00)

Part number will be designated using "LM" (e.g. 4-475DAVLM, 6-475DAVLMFG, 10-475DAVLMOSYPIG).

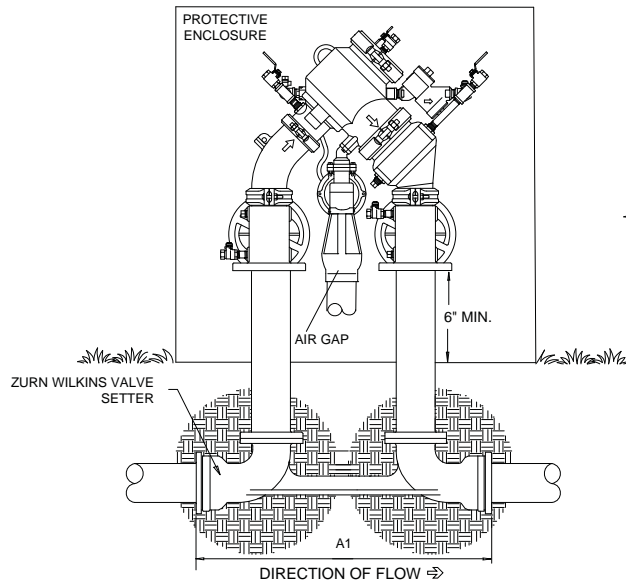
OPTION	LIST PRICE
AIR GAP (-AG) OPTION	
4" - 6" AG Option, Iron Air Gap (AG-9)	237.00
8" - 10" AG Option, Iron Air Gap (AG-10)	355.00

Part number will be designated with the "-AG" (e.g. 4-475DAV-AG, 6-475DAVLMFG-AG, 10-475DAVOSYPIG-AG).

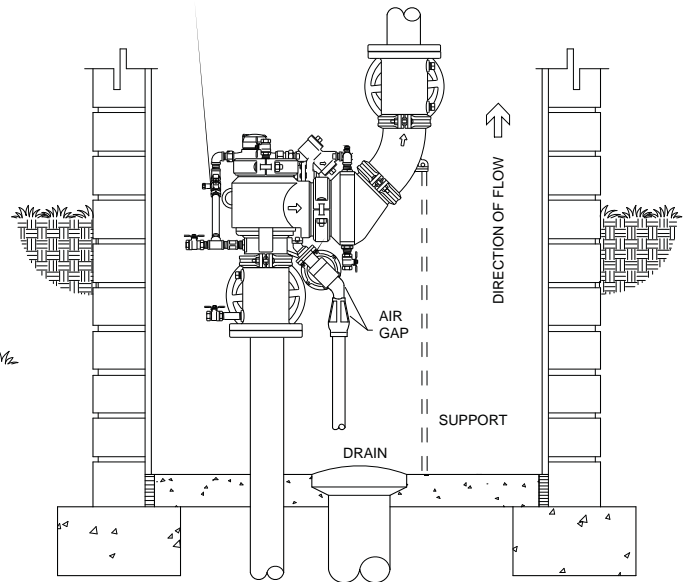
OPTION	LIST PRICE
RELIEF VALVE MONITOR SWITCH (MS) OPTION	
4" - 6"	1,048.00
8" - 10"	1,433.00

Part number will be designated using "MS" (e.g. 4-475DAVMS, 6-475DAVMSFG, 10-475DAVMSOSYPIG).

TYPICAL INSTALLATION



**OUTDOOR INSTALLATION
(MODEL 475DA)**



**VERTICAL INSTALLATION
(MODEL 475DAV)**

310/310DA SERIES – SINGLE CHECK VALVE ASSEMBLY



APPLICATIONS

Designed for use in water systems to prevent the reverse flow of non-hazardous substances into the remainder of the system. Used to protect upstream equipment, not adequate for low or high hazard backflow prevention.

FEATURES

- 4" - 10"
- 175 psi max
- 140°F max
- Available as a 310DA, with detector assembly for fire protection
- Epoxy-coated ductile iron body
- Modular, Center-Stem Guided Compound Checks

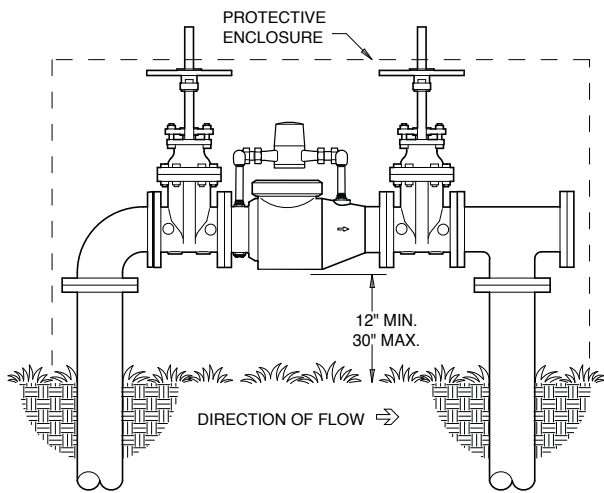
APPROVALS AND APPLICABLE SPECIFICATIONS

- FM® Approved, UL® Listed & C-UL® Listed (4" & 6")
- Certified to NSF/ANSI 372 (4", 6" & 8")

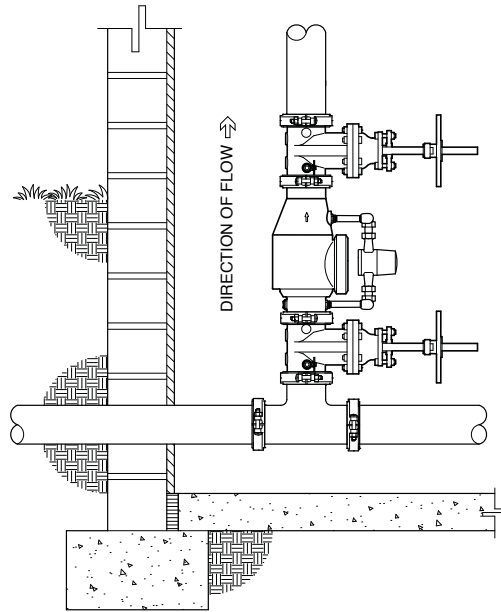
TYPICAL INSTALLATION

Check with local water authority for installation requirements

TYPICAL INSTALLATION



**OUTDOOR INSTALLATION
(310DAOSY)**



**VERTICAL INSTALLATION
(310DAOSYG)**

SIZE	LEAD-FREE EXEMPT PART NUMBER	LEAD-FREE EXEMPT LIST PRICE EA.
310: FLANGED X FLANGED		
4"	4-310	1,452.00
6"	6-310	2,030.00
8"	8-310	6,061.00
310G: GROOVED X GROOVED		
4"	4-310G	1,452.00
6"	6-310G	2,030.00
8"	8-310G	6,061.00
310DA: FLANGED X FLANGED, GPM METER		
4"	4-310DA	2,450.00
6"	6-310DA	3,028.00
8"	8-310DA	6,810.00
310DAG: GROOVED X GROOVED, GPM METER		
4"	4-310DAG	2,450.00
6"	6-310DAG	3,028.00
8"	8-310DAG	6,810.00
310DAOSY: FLANGED X FLANGED, GPM METER, OS & Y GATE VALVES		
4"	4-310DAOSY	4,532.00
6"	6-310DAOSY	6,292.00
8"	8-310DAOSY	10,476.00

For grooved options, part number will be designated using "GF", "FG" or "G" (e.g. 4-310OSYFG, 6-310OSYGF, 8-310OSYG).

Other OS&Y Connection Options - Grooved x Flanged (GF), Flanged x Grooved (FG) and Grooved x Grooved (G)

OPTIONS AND LIST PRICE ADDERS (ADD OPTION TO LIST PRICE TO DETERMINE TOTAL LIST PRICE)

CUBIC FEET METER (CFM) OPTION

4" - 8" **No Charge**

Part number will be designated using "CFM" (e.g. 4-310DACFM, 6-310DACFM, 8-310DACFMOSY).

SENSUS CUBIC FEET METER (SCFM) OPTION

4" - 8" **186.00**

Part number will be designated using "SCFM" (e.g. 4-310DASCFM, 6-310DASCFM, 8-310DASCFMOSY).

LESS METER (LM) OPTION

4" - 8" **(292.00)**

Part number will be designated using "LM" (e.g. 4-310DALM, 6-310DALMFG, 8-310DALMOSY).

420XL SERIES – PRESSURE VACUUM BREAKER



APPLICATIONS

The freeze resistant 420XL is a cartridge loaded Pressure Vacuum Breaker that is perfect for residential irrigations and plumbing systems. The 420XL is Lead-Free Law compliant.

FEATURES

- 3/4", 1"
- 175 psi max
- 140°F max
- Integral relief valve reduces the risk of valve damage under non-seasonal freezing conditions
- Thermoplastic modular cartridge design
- All bronze body and corrosion-resistant internal parts

APPROVALS AND APPLICABLE SPECIFICATIONS

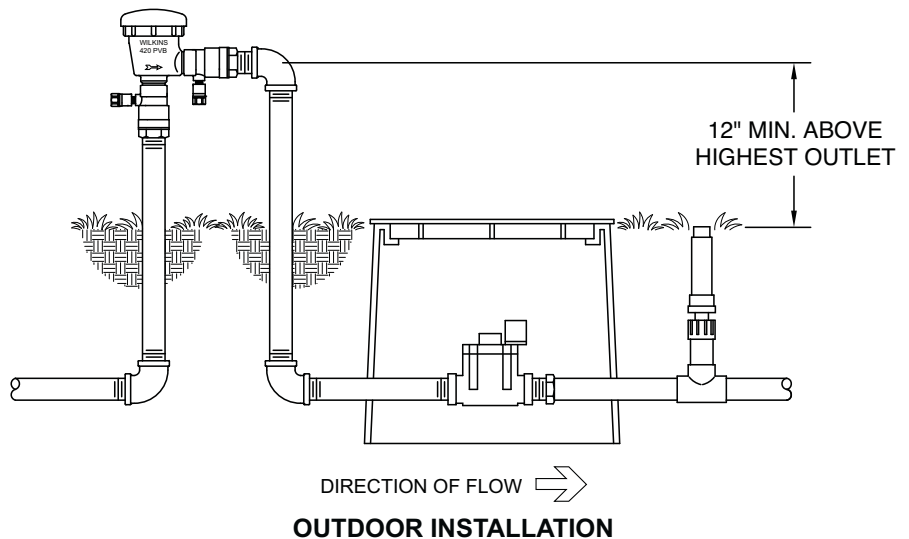
- Approved by the Foundation for Cross-Connection Control and Hydraulic Research at the University of Southern California
- ASSE® Listed 1020, IAPMO® Listed, CSA® Certified
- Certified to NSF/ANSI 372

ACCESSORIES

- Water hammer arrester (Model 1260XL)
- Repair kit

SIZE	LEAD-FREE PART NUMBER	LEAD-FREE LIST PRICE EA.
420XL : FNPT X FNPT		
3/4"	34-420XL	364.00
1"	1-420XL	423.00
OPTIONS AND LIST PRICE ADDERS (ADD OPTION TO LIST PRICE TO DETERMINE TOTAL LIST PRICE)		
FAST-TEST TEST COCKS (FT) OPTION (E.G. 1-420XLFT)		
3/4" - 1"		No Charge

TYPICAL INSTALLATION



460XL SERIES – SPILL RESISTANT PRESSURE VACUUM BREAKER



APPLICATIONS

The 460XL spill resistant Vacuum Breaker is perfect for indoor applications due to its "spill resistant" feature. Used in high hazard backsiphonage applications.

FEATURES

- 3/8" - 1"
- 150 psi max
- 180°F max
- Spill resistant feature for indoor use
- Easy maintenance - bonnet & seat removal tool built into canopy
- Replaceable modular thermoplastic cartridge

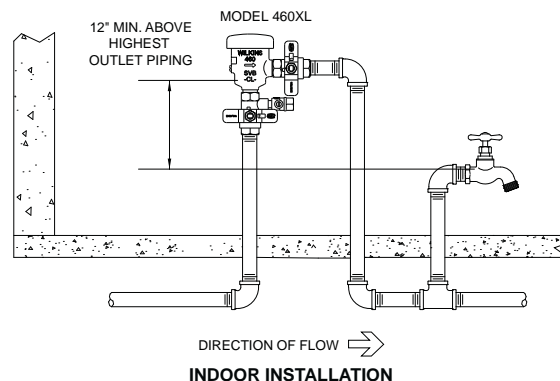
APPROVALS AND APPLICABLE SPECIFICATIONS

- Approved by the Foundation for Cross-Connection Control and Hydraulic Research at the University of Southern California
- ASSE® Listed 1056, IAPMO® Listed, CSA®
- Certified to NSF/ANSI 61 and 372

ACCESSORIES

- Water hammer arrester (Model 1260XL)
- Repair kit

TYPICAL INSTALLATION



720A SERIES – PRESSURE VACUUM BREAKER



SIZE	LEAD-FREE EXEMPT PART NUMBER	LEAD-FREE EXEMPT LIST PRICE EA.
720A: FNPT X FNPT		
1/2"	12-720A	316.00
3/4"	34-720A	321.00
1"	1-720A	370.00
1-1/4"	114-720A	896.00
1-1/2"	112-720A	935.00
2"	2-720A	1,089.00
720AU: FNPT X FNPT, UNION BALL VALVES (ASSE LISTED ONLY)		
3/4"	34-720AU	410.00
1"	1-720AU	478.00
OPTIONS AND LIST PRICE ADDERS (ADD OPTION TO LIST PRICE TO DETERMINE TOTAL LIST PRICE)		
FAST-TEST TEST COCKS (FT) OPTIONS (E.G. 34-720AFT, 2-720AFT), 1/2" THROUGH 1" USC APPROVED		
1/2" - 2"		No Charge
<i>Part number will be designated using "FT" (e.g. 34-720AFT, 2-720AFT).</i>		

APPLICATIONS

This time tested Pressure Vacuum Breaker will give years of unparalleled service in high hazard backsiphonage conditions.

FEATURES

- 1/2" - 2"
- 150 psi max
- 110°F max
- Bronze body & bonnet
- Lead-free exempt for non-potable applications only

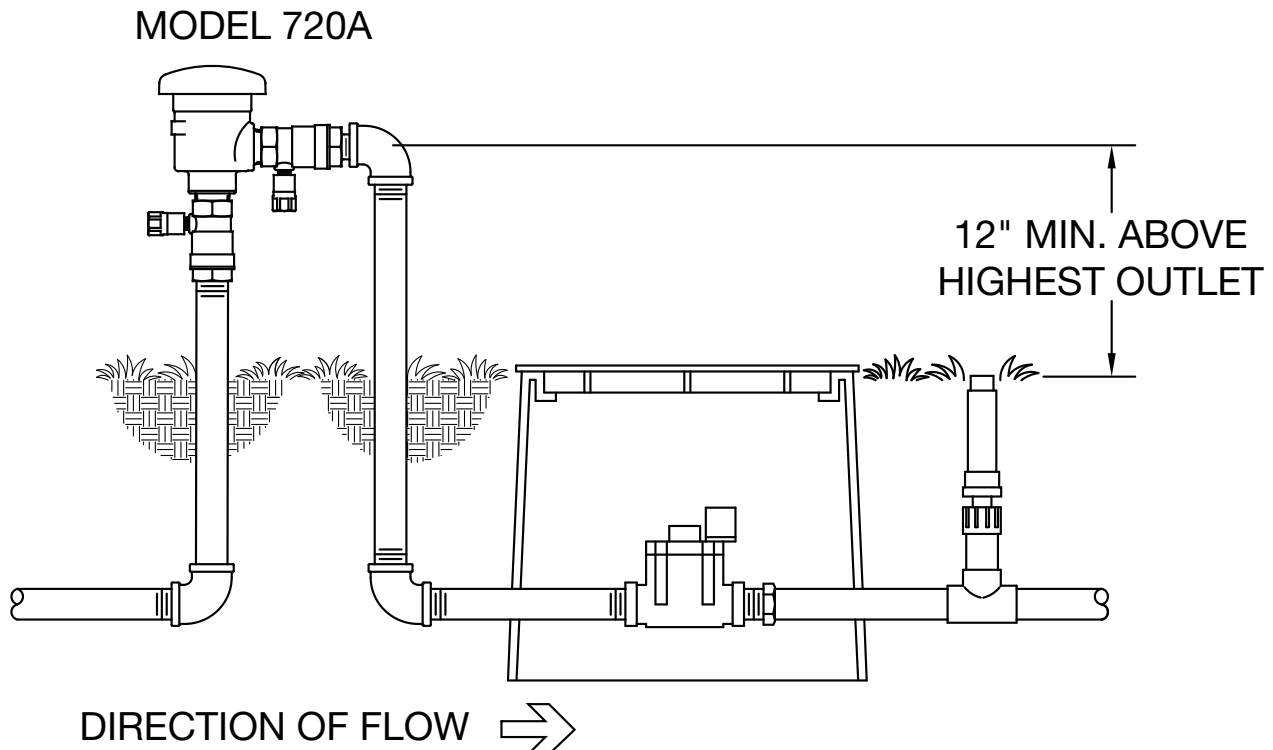
APPROVALS AND APPLICABLE SPECIFICATIONS

- Approved by the Foundation for Cross-Connection Control and Hydraulic Research at the University of Southern California
- ASSE® Listed 1020, IAPMO® Listed, CSA® Certified

ACCESSORIES

- Water Hammer Arrester (Model 1260XL)
- Freeze Relief Valve (Model ZWFR)
- Repair kit

TYPICAL INSTALLATION



700XL SERIES – DUAL CHECK VALVE



APPLICATIONS

The 700XL Dual Check Valve is available in many end configurations for easy installation on any low hazard piping system.

FEATURES

- 1/4" - 1"
- 175 psi max
- 180°F max
- Bronze body construction
- Single union standard on inlet of all models
- May be installed vertically or horizontally

APPROVALS AND APPLICABLE SPECIFICATIONS

- ASSE® Listed 1024, CSA® Certified
- Certified to NSF/ANSI 61 and 372

ACCESSORIES

- Thermal expansion tank (Model XT)
- Shut-off valve with integral thermal expansion relief valve (Model BVECXL)

KEY	
U	= Indicates location of "union" connection
FNPT	= Female National Pipe Tapered Thread
MNPT	= Male National Pipe Tapered Thread
FC	= Female Copper Sweat
FMTC	= Female Meter Thread Connection (National Hose Strait Thread)
MMTC	= Male Meter Thread Connection (National Hose Straight Thread)

SIZE	LEAD-FREE PART NUMBER	LEAD-FREE LIST PRICE EA.	LEAD-FREE EXEMPT PART NUMBER	LEAD-FREE EXEMPT LIST PRICE EA.
700XL/700: UNION FNPT X FNPT				
1/4"	14UFX14F-700XL	101.00	-	-
3/8"	38UFX38F-700XL	101.00	-	-
1/2"	12UFX12F-700XL	101.00	-	-
3/4"	34UFX34F-700XL	82.00	34UFX34F-700	71.00
3/4" x 1"	34UFX1F-700XL	118.00	-	-
1" x 3/4"	1UFX34F-700XL	92.00	-	-
1"	1UFX1F-700XL	96.00	1UFX1F-700	84.00

SIZE	LEAD-FREE PART NUMBER	LEAD-FREE LIST PRICE EA.
700XLCH: UNION FNPT X FNPT, CHROME PLATED		
1/4"	14UFX14F-700XLCH	139.00
3/8"	38UFX38F-700XLCH	139.00
1/2"	12UFX12F-700XLCH	139.00
700XL: UNION FNPT X MNPT		
3/4"	34UFX34M-700XL	110.00
1" x 3/4"	1UFX34M-700XL	94.00
1"	1UFX1M-700XL	126.00
700XL: UNION MNPT X FNPT		
1"	1UMX1F-700XL	110.00
3/4"	34UMX34M-700XL	110.00
1"	1UMX1M-700XL	110.00
700XL: FNPT X UNION FNPT		
3/4"	34FX34UF-700XL	110.00
1"	1FX1UF-700XL	92.00
700XL: MNPT X UNION FNPT		
3/4"	34MX34UF-700XL	110.00
1"	1MX1UF-700XL	127.00
700XL: MNPT X UNION MNPT		
3/4"	34MX34UM-700XL	110.00
700XL: UNION FEMALE CU SWT X FNPT		
3/4"	34UFCX34F-700XL	112.00
1"	1UFCX1F-700XL	124.00
700XL: UNION FEMALE CU SWT X MNPT		
3/4"	34UFCX34M-700XL	94.00
1"	1UFCX1M-700XL	124.00
700XL: UNION FEMALE CU SWT X FEMALE CU SWT		
1/2"	12UFCX12FC-700XL	82.00
1/2"	12FCX12UFC-700XL	82.00
700XL: UNION FEMALE CPVC X FNPT		
3/4"	34UFCPVCX34F-700XL	134.00
1" x 3/4"	1UFCPVCX34F-700XL	112.00
700XL: UNION FEMALE METER X FNPT		
3/4"	34UFMX34F-700XL	103.00
1" x 3/4"	1UFMX34F-700XL	112.00
1"	1UFMX1F-700XL	118.00
700XL: UNION FEMALE METER X MNPT		
3/4"	34UFMX34M-700XL	123.00
3/4" x 1"	34UFMX1M-700XL	109.00
1" x 3/4"	1UFMX34M-700XL	112.00
1"	1UFMX1M-700XL	118.00

SIZE	LEAD-FREE PART NUMBER	LEAD-FREE LIST PRICE EA.
700XL: UNION FEMALE METER X UNION FNPT		
1" x 3/4"	1UFMX34UF-700XL	150.00
1"	1UFMX1UF-700XL	150.00
1-1/4"	114UFMX1UF-700XL	164.00
700XL: UNION FEMALE METER X UNION MNPT		
1" x 3/4"	1UFMX34UM-700XL	142.00
700XL: UNION FEMALE METER X UNION FEMALE METER		
1"	1UFMX1UFM-700XL	152.00
700XL: UNION FEMALE METER X MALE METER		
3/4"	34UFMX34MM-700XL	100.00
3/4" x 1"	34UFMX1MM-700XL	123.00
1" x 3/4"	1UFMX34UMM-700XL	124.00
1"	1UFMX1MM-700XL	160.00
700XL: UNION FNPT X MALE METER		
3/4"	34UFX34MM-700XL	95.00
3/4" x 1"	34UFX1MM-700XL	100.00
1"	1UFX1MM-700XL	113.00
700XL: UNION MNPT X UNION FEMALE METER		
3/4" x 1"	34UMX1UFM-700XL	184.00
700XL: MALE METER X UNION FNPT		
3/4"	34MMX34UF-700XL	101.00
1"	1MMX1UF-700XL	114.00
700XL: MNPT X UNION FEMALE METER		
1"	1MX1UFM-700XL	127.00

700XLFP SERIES - DUAL CHECK VALVE

SIZE	LEAD-FREE PART NUMBER	LEAD-FREE LIST PRICE EA.
700XLFP: DUAL CHECK VALVE, UNION FNPT X FNPT		
1"	1UFX1F-700XLFP	287.00
1-1/4"	114UFX114F-700XLFP	287.00
1-1/2"	112UFX112F-700XLFP	300.00
700XLFP: DUAL CHECK VALVE, UNION FEMALE METER X FNPT		
1-1/4" x 1"	114UFMX1F-700XLFP	287.00
1-1/4"	114UFMX114F-700XLFP	287.00
700XLFP: DUAL CHECK VALVE, UNION FEMALE CU SWT X FNPT		
1-1/2"	112UFCX112F-700XLFP	300.00

705 SERIES - DUAL CHECK VALVE



APPLICATIONS

A composite version of the 700XL dual check for low hazard water systems.

FEATURES

- 3/4", 1"
- 175 psi max
- 180°F max
- Single union standard on inlet of all models
- May be installed vertically or horizontally

APPROVALS AND APPLICABLE SPECIFICATIONS

- ASSE® Listed 1024, CSA® Certified
- Certified to NSF/ANSI 61 and 372

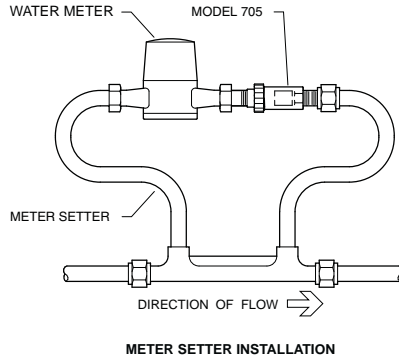
ACCESSORIES

- Thermal expansion tank (Model XT)

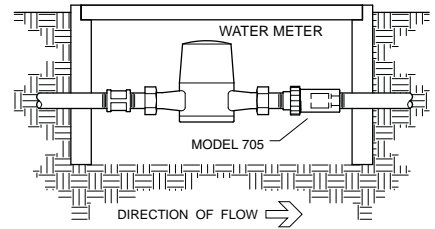
SIZE	LEAD-FREE PART NUMBER	LEAD-FREE LIST PRICE EA.
705: FNPT X UNION FNPT		
3/4"	34FX34UF-705	45.00
1"	1FX1UF-705	47.00
705: UNION FNPT X FNPT		
3/4"	34UFX34F-705	52.00
1"	1UFX1F-705	54.00
705: UNION MNPT X FNPT		
1"	1UMX1F-705	56.00

SIZE	LEAD-FREE PART NUMBER	LEAD-FREE LIST PRICE EA.
705: UNION FEMALE CU SWT X FNPT		
3/4"	34UFCX34F-705	64.00
705: UNION FEMALE METER X FNPT		
1" x 3/4"	1UFMX34F-705	54.00
1"	1UFMX1F-705	54.00

TYPICAL INSTALLATION



METER SETTER INSTALLATION



PIT INSTALLATION

730/735 SERIES - LABORATORY FAUCET VACUUM BREAKER



APPLICATIONS

The Zurn Wilkins 730 and 735 are intended to be used on laboratory service sinks where high hazard backflow could occur due to backsiphonage.

FEATURES

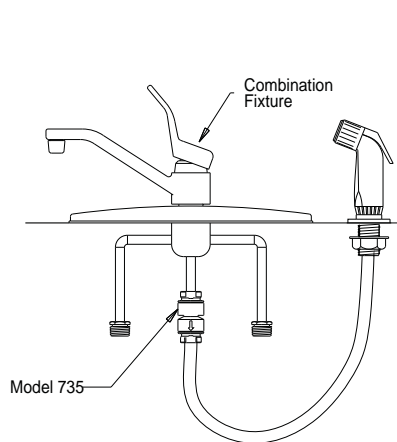
- Model 730: 3/8" [non-continuous pressure applications]
- Model 735: 3/8" [continuous pressure applications]
- 150 psi max
- 180°F max
- Main valve body brass ASTM B 16; polished chrome finish (Model 730)

APPROVALS AND APPLICABLE SPECIFICATIONS

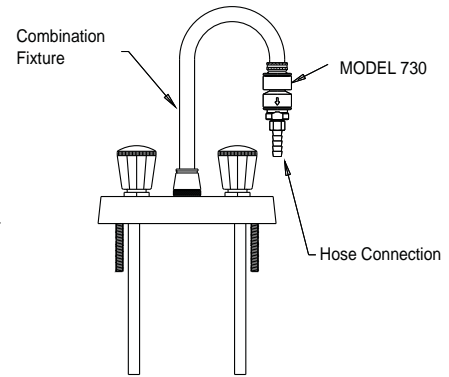
- Model 730 - ASSE® Listed 1035, CSA® Certified B64.7, IAPMO® Listed
- Model 735 - CSA® Certified B64.8
- Certified to NSF/ANSI 372

SIZE	LEAD-FREE PART NUMBER	LEAD-FREE LIST PRICE EA.
730: FNPT X FNPT, POLISHED CHROME		
3/8"	38-730	104.00
730FM: FNPT X MALE NPT, POLISHED CHROME		
3/8"	38-730FM	124.00
735: FNPT X FNPT, BRASS		
3/8"	38-735	101.00
735CH: FNPT X FNPT, CHROME		
3/8"	38-735CH	107.00

TYPICAL INSTALLATION



In-line continuous use
(see above for approvals)



Faucet hose connection

740 SERIES – BACKFLOW PREVENTER FOR VENDING MACHINE WATER SUPPLY



APPLICATIONS

The Model 740 is designed for installation in vending machine water supply lines to prevent backflow of carbon dioxide and carbonated water into the potable supply.

FEATURES

- 3/8"
- 150 psi max
- 130°F max
- SAE J513 flare fitting threads inlet and outlet
- All stainless steel construction
- Silicon rubber check valve discs

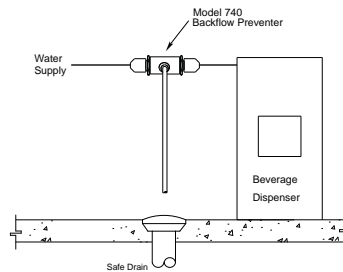
APPROVALS AND APPLICABLE SPECIFICATIONS

- ASSE® Listed 1022
- Certified to NSF/ANSI 372

TYPICAL INSTALLATION

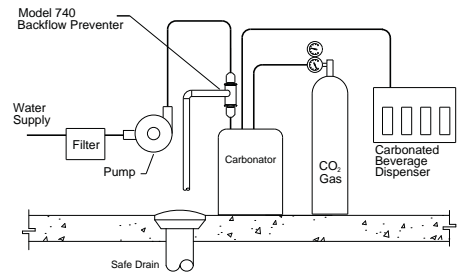
The Model 740 can be installed in the horizontal or vertical position. Under certain conditions the Model 740 may discharge water from the vent port. Provisions must be made to ensure that discharge will not damage surrounding property or equipment. Copper tubing shall not be used downstream of the Model 740.

TYPICAL INSTALLATION



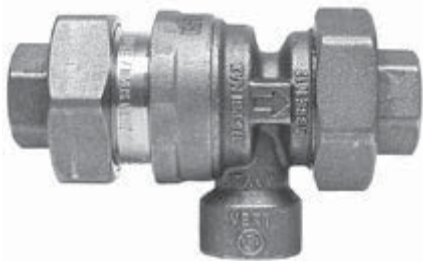
Non-Carbonated Beverage System

SIZE	LEAD-FREE PART NUMBER	LEAD-FREE LIST PRICE EA.
740: SAE 45 X SAE 45, STAINLESS STEEL		
3/8"	38-740	195.00
740F: FNPT X FNPT, STAINLESS STEEL		
3/8"	38-740F	195.00



Carbonated Beverage System

760 SERIES – DUAL CHECK WITH ATMOSPHERIC VENT



APPLICATIONS

The 760 provides low hazard protection against backflow from a residential boiler.

FEATURES

- 1/2", 3/4"
- 175 psi max
- 210°F max
- Continuous pressure type backflow preventer with threaded atmospheric vent drain
- Brass body construction
- Integral stainless steel screen
- Union connections both ends; available with FNPT or copper connections

APPROVALS AND APPLICABLE SPECIFICATIONS

- ASSE® Listed 1012, CSA® Certified

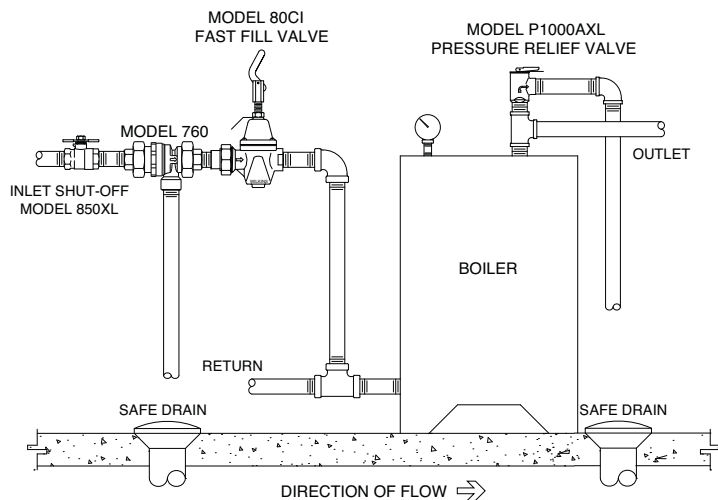
ACCESSORIES

- Fast fill regulator (80CI)
- Hydronic expansion tank (HXT)
- Pressure relief valve (P1000AXL or P3000BR)

TYPICAL INSTALLATION

Under certain conditions, the Model 760 will spill water from the vent port. WARNING: Provisions must be made to collect this spillage through an air gap or other means. The vent port should never be directly piped into a drainage ditch, sewer or pump. Under no circumstances should the vent port or drain line be plugged. Local codes shall govern installation requirements. To be installed in accordance with the manufacturers' instructions and the latest edition of the Uniform Plumbing Code. The installation shall be made so that no part of the unit can be submerged.

TYPICAL INSTALLATION



SIZE	LEAD-FREE EXEMPT PART NUMBER	LEAD-FREE EXEMPT LIST PRICE EA.
760: FNPT X FNPT		
1/2"	12-760	135.00
3/4"	34-760	136.00
760C: FEMALE CU SWT X FEMALE CU SWT		
1/2"	12-760C	135.00
3/4"	34-760C	136.00

40XL2 SERIES – IN-LINE SINGLE CHECK VALVE



SIZE	LEAD-FREE PART NUMBER	LEAD-FREE LIST PRICE EA.
40XL2: FNPT X FNPT		
1/4"	14-40XL2	69.00
3/8"	38-40XL2	62.00
1/2"	12-40XL2	68.00
3/4"	34-40XL2	105.00
1"	1-40XL2	141.00
1-1/4"	114-40XL2	203.00
1-1/2"	112-40XL2	352.00
2"	2-40XL2	379.00
2-1/2"	212-40XL2	687.00
3"	3-40XL2	926.00
4"	4-40XL2	1,518.00

APPLICATIONS

The soft seated slow closing check design of the 40XL2 series is ideal as a backdrop against inlet pressure fluctuations that may cause RP relief valve discharge and/or water hammer.

FEATURES

- 1/4" - 2"
- 200 psi
- 210°F max
- Brass body construction
- PEI poppet and NBR rubber seat gasket, stainless steel spring
- Female NPT inlet and outlet connections
- May be installed in any position

APPROVALS AND APPLICABLE SPECIFICATIONS

- Certified to NSF/ANSI 61 and 372

35XL SERIES – ATMOSPHERIC VACUUM BREAKER



SIZE	LEAD-FREE PART NUMBER	LEAD-FREE LIST PRICE EA.
35XL: FNPT X FNPT, BRONZE		
1/2"	12-35XL	52.00
3/4"	34-35XL	61.00
1"	1-35XL	78.00
1-1/4"	114-35XL	156.00
1-1/2"	112-35XL	194.00
2"	2-35XL	307.00
35XLCH: FNPT X FNPT, CHROME		
1/2"	12-35XLCH	55.00
35XLPCH: FNPT X FNPT, POLISHED CHROME		
1/2"	12-35XLPCH	50.00
35XLVCH: FNPT X FNPT, CHROME, VERTICAL INLET & OUTLET		
1/4"	14-35XLVCH	58.00

APPLICATIONS

The 35XL Atmospheric Vacuum Breaker is an economical way of preventing high hazard backsiphonage backflow in non-continuous pressure applications.

FEATURES

- 1/4", 1/2" - 2"
- 125 psi max
- 180°F max
- Bronze body
- Lightweight, plastic poppet float

APPROVALS AND APPLICABLE SPECIFICATIONS

- ASSE® Listed 1001, IAPMO® Listed, CSA® Certified
- Certified to NSF/ANSI 372

ACCESSORIES

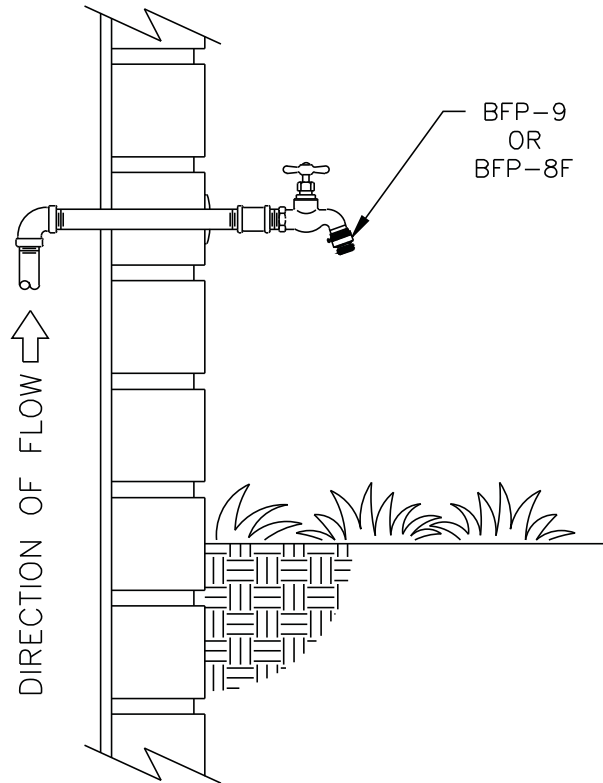
- Water hammer arrestor (Model 1260XL)

BFP-9 & BFP-8F SERIES – HOSE CONNECTION VACUUM BREAKER



SIZE	LEAD-FREE EXEMPT PART NUMBER	LEAD-FREE EXEMPT LIST PRICE EA.
BFP-9: FNH X MNH		
3/4"	BFP-9	14.00
BFP-9CH: FNH X MNH, CHROME PLATED		
3/4"	BFP-9CH	18.00
BFP-8F: FNH X MNH, MANUAL DRAIN FOR FREEZE PROTECTION		
3/4"	BFP-8F	23.00

TYPICAL INSTALLATION



TYPICAL HOSE BIBB INSTALLATION

APPLICATIONS

Designed for installation on hose bibbs to protect against backsiphonage of polluted water into the non-potable water supply.

FEATURES

- 3/4"
- 125 psi max
- 180°F max
- Brass hose bibb backflow preventer with vandal resistant feature

APPROVALS AND APPLICABLE SPECIFICATIONS

- ASSE® Listed 1011, IAPMO® Listed, CSA® Certified

BACKFLOW PREVENTERS

BACKFLOW PREVENTERS ACCESSORIES

STRAINERS

AUTOMATIC CONTROL VALVES

PRESSURE REDUCING VALVES

FIRE PROTECTION VALVES

THERMOSTATIC MIXING VALVES

RELIEF VALVES

MISCELLANEOUS PLUMBING PRODUCTS

REPAIR KITS

BACKFLOW PREVENTERS ACCESSORIES

Backflow prevention systems generally are comprised of more than just a backflow assembly. Zurn Wilkins offers a complete line of backflow accessories to accompany your installation, from ancillary shut-off valves to test kits, and accessories for valve monitoring and frost protection.

WBR SERIES – IN BUILDING RISERS	54
ZWFR – FREEZE RELIEF VALVE	54
BVMS – BALL VALVE MONITOR SWITCH	55
OSY-40 – GATE VALVE SUPERVISORY SWITCH KIT	55
850XL SERIES – FULL PORT BALL VALVE	56
48 SERIES – NRS GATE VALVE	57
48OSY SERIES – OS&Y GATE VALVE	57
48PIV – POST INDICATOR GATE VALVE	58
49 SERIES – BUTTERFLY VALVE	58
FLUSH FITTING TOOLS – 350/375 BACKFLOW PREVENTERS	59
TG-3 AND TG-5 – BACKFLOW ASSEMBLY TEST KITS	59
QT-SET (BRASS) AND QTP (PLASTIC) – QUICK TEST FITTINGS	59
400 SERIES SETTER	60
AG SERIES – AIR GAP	60

WBR SERIES – IN BUILDING RISERS



APPROVALS AND APPLICABLE SPECIFICATIONS

- UL * Listed, ULC * Listed, FM® Approved
- Certified to NSF/ANSI 372

SIZE	LEAD-FREE PART NUMBER	LEAD-FREE LIST PRICE EA.
WBR: PUSH-ON X GROOVED, 6' X 6' ELBOW STANDARD, INCLUDES END CAP		
4"	4-WBR	2,182.00
6"	6-WBR	2,842.00
8"	8-WBR	3,751.00
10"	10-WBR	5,654.00
WBR-F: PUSH-ON X FLANGED, 6' X 6' ELBOW STANDARD		
4"	4-WBR-F	2,228.00
6"	6-WBR-F	3,137.00
8"	8-WBR-F	4,206.00
10"	10-WBR-F	6,019.00
WBR-6X8.5: PUSH ON X GROOVED, 6' X 8.5' ELBOW STANDARD, INCLUDES END CAP		
4"	4-WBR6X8.5	2,322.00
6"	6-WBR6X8.5	2,877.00
8"	8-WBR6X8.5	3,791.00
10"	10-WBR6X8.5	6,465.00

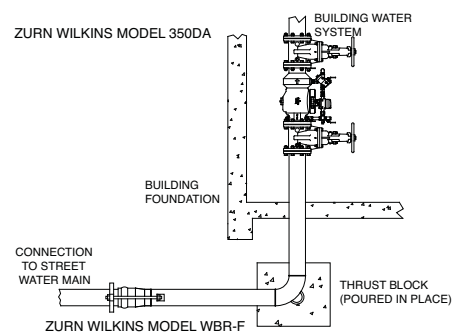
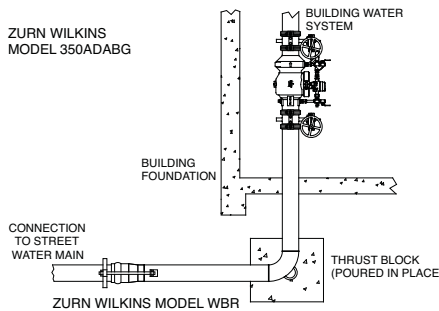
APPLICATIONS

Designed to connect a water supply line from outside the building to the water system inside the building. The Model WBR may be used in potable water or fire applications and has an all-stainless steel construction.

FEATURES

- 4" - 10"
- 200 psi max
- 140°F max
- Push-on inlet end connection (PVC or ductile iron pipe)
- Grooved (standard) or flanged outlet end connection
- Available with extended 8-1/2' (102") vertical leg (grooved outlet connection only)
- Brackets on inlet side provide attachment points for pipe installation equipment

TYPICAL INSTALLATION



ZWFR – FREEZE RELIEF VALVE



TYPICAL INSTALLATION

The Model ZWFR should be installed on the downstream test cock or downstream attached piping of any backflow device installed above ground where freezing is a concern.

NOTICE: If the Model ZWFR is installed on a test cock, the test cock must be left in the open position to allow the ZWFR to function properly.

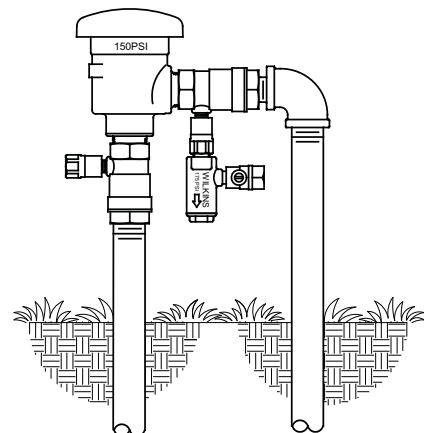
The device is best suited to be installed in the vertical down position, but may also be installed at any orientation up to horizontal. Orientations above horizontal may cause an ice dam during operation and impair valve function.

The device is not intended to replace the standard winterization process.

WARNING: Under freezing conditions the Model ZWFR will discharge water from the outlet port. Provisions must be made to insure that discharge will not damage surrounding property or equipment.

SIZE	LEAD-FREE EXEMPT PART NUMBER	LEAD-FREE EXEMPT LIST PRICE EA.
ZWFR: 1/4" MNPT FREEZE RELIEF VALVE, W/ TEST COCK, 175 PSI		
1/4"	14-ZWFR	167.00

TYPICAL INSTALLATION



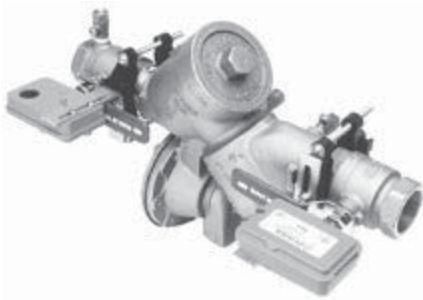
APPLICATIONS

For installation on backflow preventers and vacuum breakers. Ideal for regions where occasional/unexpected freezes occur, yet winterization (flushout) is not common.

FEATURES

- 1/4" MNPT
- 175 psi max
- 140°F max
- Opening temperature 35°F
- Closing temperature 40°F
- Test cock: 1/8" MNPT X 1/4" FNPT
- Compact size and shape allow for ease of installation

BVMS – BALL VALVE MONITOR SWITCH



SIZE	INLET X OUTLET CONNECTIONS / OPTIONS	LEAD-FREE PART NUMBER	LEAD-FREE LIST PRICE EA.
BVMS			
3/4" - 1"	Small clamp w/BV switch	BVMS-S40	472.00
1-1/4" - 2"	Large clamp w/BV switch	BVMS-L40	394.00

APPLICATIONS

The Model BVMS is designed to monitor the fully open position of a ball valve installed in a sprinkler system. The BVMS will mount onto Wilkins 950XL, 950XLT2, 975XL, and 975XL2 backflow preventers.

FEATURES

- 3/4" - 2"
- For use on 950XL, 950XLT2, 975XL, and 975XL2
- Complete with mounting hardware
- Contacts for both normally open and normally closed operation
- NO/NC SPDT contacts: 10A at 125/250 VAC, 2A at 30 VDC
- On backflow installations a switch is required on each ball valve, thus two BVMS are required

OSY-40 – GATE VALVE SUPERVISORY SWITCH KIT



APPLICATIONS

The OSY-40 supervisory switch is used to monitor the open position of an OS&Y (outside stem and yoke) type gate valve.

FEATURES

- For use on OS&Y type gate valves sizes 2-1/2" thru 12"
- Kit includes switch and bracket for installation
- On backflow installations a switch is required on each OS&Y gate valve

APPROVALS AND APPLICABLE STANDARDS

- UL listed and CSFM Listed, FM approved, NYMEA accepted, CE marked
- Complies with NFPA 13, 13D, 13R, 71 and 72

SIZE	INLET X OUTLET CONNECTIONS / OPTIONS	LEAD-FREE PART NUMBER	LEAD-FREE LIST PRICE EA.
OSY-40			
2-1/2" - 12"	OSY Switch	OSY-40	530.00

BACKFLOW PREVENTERS

BACKFLOW PREVENTERS ACCESSORIES

STRAINERS

AUTOMATIC CONTROL VALVES

PRESSURE REDUCING VALVES

FIRE PROTECTION VALVES

THERMOSTATIC MIXING VALVES

RELIEF VALVES

MISCELLANEOUS PLUMBING PRODUCTS

REPAIR KITS

850XL SERIES – FULL PORT BALL VALVE



APPLICATIONS

Zurn Wilkins Model 850XL full port brass ball valves are recommended for residential, commercial and industrial applications.

FEATURES

- 3/8" - 2"
- 600 psi max
- Full port solid ball
- Bronze body

APPROVALS AND APPLICABLE STANDARDS

- Certified to NSF/ANSI 372

SIZE	LEAD-FREE PART NUMBER	LEAD-FREE LIST PRICE EA.
850XL: FULL PORT BRONZE THREADED BALL VALVE, FNPT X FNPT		
3/8"	38-850XL	38.00
1/2"	12-850XL	42.00
3/4"	34-850XL	55.00
1"	1-850XL	86.00
1-1/4"	114-850XL	127.00
1-1/2"	112-850XL	176.00
2"	2-850XL	268.00
850TXL: FULL PORT BRONZE THREADED BALL VALVE, FNPT X FNPT, TAPPED		
3/8"	38-850TXL	50.00
1/2"	12-850TXL	54.00
3/4"	34-850TXL	58.00
1"	1-850TXL	94.00
1-1/4"	114-850TXL	132.00
1-1/2"	112-850TXL	186.00
2"	2-850TXL	308.00

SIZE	LEAD-FREE PART NUMBER	LEAD-FREE LIST PRICE EA.
850UXL: FULL PORT BRONZE THREADED BALL VALVE, FNPT UNION X FNPT		
3/4"	34-850UXL	97.00
1"	1-850UXL	143.00
1-1/4"	114-850UXL	224.00
1-1/2"	112-850UXL	340.00
2"	2-850UXL	471.00
850TUXL: FULL PORT BRONZE THREADED BALL VALVE, FNPT UNION X FNPT, TAPPED		
3/4"	34-850TUXL	106.00
1"	1-850TUXL	148.00
1-1/4"	114-850TUXL	236.00
1-1/2"	112-850TUXL	347.00
2"	2-850TUXL	484.00
850MXL: FULL PORT BRONZE THREADED BALL VALVE, MNPT X FNPT		
3/8"	38-850MXL	44.00
1/2"	12-850MXL	47.00
850TMXL: FULL PORT BRONZE THREADED BALL VALVE, MNPT X FNPT, TAPPED		
3/8"	38-850TMXL	48.00
1/2"	12-850TMXL	52.00

48 SERIES – NRS GATE VALVE



APPLICATIONS

Designed for installation on potable water lines, irrigation systems, and waterworks connections.

FEATURES

- 2-1/2" - 12"
- 250 psi max
- Non-rising stem
- Full flow waterway
- Tapped and plugged

APPROVALS AND APPLICABLE STANDARDS

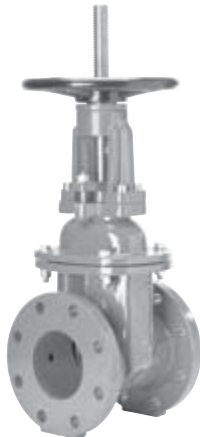
- Valves conform to ANSI/AWWA C515 and C550
- Flanges conform to ANSI/ASME B16.1
- Grooved end conforms to ANSI/AWWA C606
- UL® Listed, C-UL® Listed, FM® Approved
- Certified to NSF/ANSI 372

ACCESSORIES

2" Square operating nut available

SIZE	LEAD-FREE PART NUMBER	LEAD-FREE LIST PRICE EA.
48: NRS GATE VALVES, FLANGED X FLANGED		
2-1/2"	212-48	970.00
3"	3-48	1,211.00
4"	4-48	1,253.00
6"	6-48	1,694.00
8"	8-48	2,623.00
10"	10-48	3,565.00
12"	12IN-48	6,177.00
48G: NRS GATE VALVES, GROOVED X GROOVED		
2-1/2"	212-48G	970.00
3"	3-48G	1,132.00
4"	4-48G	1,253.00
6"	6-48G	1,694.00
8"	8-48G	2,623.00
10"	10-48G	3,565.00
48GXF: NRS GATE VALVES, GROOVED X FLANGED		
2-1/2"	212-48GXF	970.00
3"	3-48GXF	1,132.00
4"	4-48GXF	1,253.00
6"	6-48GXF	1,694.00
8"	8-48GXF	2,623.00
10"	10-48GXF	3,565.00

48OSY SERIES – OS&Y GATE VALVE



FEATURES

- Sizes: 2" - 12"
- 250 psi max
- Outside stem and yoke (rising stem for visual indication)
- Full flow waterway
- Tapped and plugged

APPROVALS AND APPLICABLE STANDARDS

- Grooved end conforms to ANSI/AWWA C606
- Flanged end conforms to ANSI/ASME B16.1
- Valves conform to ANSI/AWWA C515 and C550
- UL® listed, FM® Approved, C-UL® listed
- Certified to NSF/ANSI 372

ACCESSORIES

- OS&Y gate valve supervisory switch (OSY-40)

APPLICATIONS

Designed for installation on potable water lines, waterworks connections, and fire systems.

SIZE	LEAD-FREE PART NUMBER	LEAD-FREE LIST PRICE EA.
48OSYCIT: OS&Y GATE VALVES, FNPT X FNPT		
2"	2-48OSYCIT	1,159.00
48OSY: OS&Y GATE VALVES, FLANGED X FLANGED		
2-1/2"	212-48OSY	1,071.00
3"	3-48OSY	1,208.00
4"	4-48OSY	1,304.00
6"	6-48OSY	2,044.00
8"	8-48OSY	3,236.00
10"	10-48OSY	4,395.00
12"	12IN-48OSY	6,366.00
48OSYG: OS&Y GATE VALVES, GROOVED X GROOVED		
2-1/2"	212-48OSYG	1,071.00
3"	3-48OSYG	1,208.00
4"	4-48OSYG	1,304.00
6"	6-48OSYG	2,044.00
8"	8-48OSYG	3,236.00
10"	10-48OSYG	4,395.00
48OSYGXF: OS&Y GATE VALVES, GROOVED X FLANGED		
2-1/2"	212-48OSYGXF	1,071.00
3"	3-48OSYGXF	1,208.00
4"	4-48OSYGXF	1,304.00
6"	6-48OSYGXF	2,044.00
8"	8-48OSYGXF	3,236.00
10"	10-48OSYGXF	4,395.00

48PIV – POST INDICATOR GATE VALVE



APPLICATIONS

Designed for installation on potable water lines leading to fire suppression systems.

FEATURES

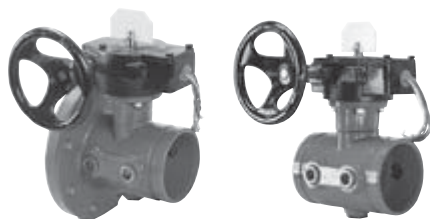
- 2-1/2" - 10"
- 250 psi max
- Universal post indicator (PI) plate and operating nut
- Resilient seated
- Full flow waterway
- Tapped and plugged

APPROVALS AND APPLICABLE STANDARDS

- Grooved end conforms to ANSI/AWWA C606
- Flanged end conforms to ANSI/ASME B16.1
- Valves conform to ANSI/AWWA C515 and C550
- UL® listed, FM® Approved, C-UL® listed
- Certified to NSF/ANSI 372

SIZE	LEAD-FREE PART NUMBER	LEAD-FREE LIST PRICE EA.
48PIV: POST INDICATOR GATE VALVE, FLANGED X FLANGED		
2-1/2"	212-48PIV	1,071.00
3"	3-48PIV	1,208.00
4"	4-48PIV	1,304.00
6"	6-48PIV	2,044.00
8"	8-48PIV	3,236.00
10"	10-48PIV	4,395.00
12"	12IN-48PIV	6,366.00
48PIVG: POST INDICATOR GATE VALVE, GROOVED X GROOVED		
2-1/2"	212-48PIVG	1,071.00
3"	3-48PIVG	1,208.00
4"	4-48PIVG	1,304.00
6"	6-48PIVG	2,044.00
8"	8-48PIVG	3,236.00
10"	10-48PIVG	4,395.00
48PIVGXF: POST INDICATOR GATE VALVE, GROOVED X FLANGED		
2-1/2"	212-48PIVGXF	1,071.00
3"	3-48PIVGXF	1,208.00
4"	4-48PIVGXF	1,304.00
6"	6-48PIVGXF	2,044.00
8"	8-48PIVGXF	3,236.00
10"	10-48PIVGXF	4,395.00
12"	12IN-48PIVGXF	6,366.00

49 SERIES – BUTTERFLY VALVE



FEATURES

- 2-1/2" - 10"
- 175 psi max
- Grooved or flanged end connections
- Weatherproof actuator for indoor or outdoor installations
- Integral supervisory switch with visual indicator

APPROVALS AND APPLICABLE STANDARDS

- UL® listed, FM® Approved, C-UL® listed
- Certified to NSF/ANSI 372

APPLICATIONS

Designed for installation on potable water lines, irrigation systems, waterworks connections, and fire systems.

SIZE	LEAD-FREE PART NUMBER	LEAD-FREE LIST PRICE EA.
49G: BUTTERFLY VALVE, GROOVED X GROOVED		
2-1/2"	212-49G	1,119.00
3"	3-49G	1,262.00
4"	4-49G	1,360.00
6"	6-49G	2,132.00
8"	8-49G	3,376.00
10"	10-49G	4,819.00
49FXG: BUTTERFLY VALVE, FLANGED X GROOVED		
2-1/2"	212-49FXG	1,192.00
3"	3-49FXG	1,383.00
4"	4-49FXG	1,517.00
6"	6-49FXG	2,333.00
8"	8-49FXG	3,586.00
10"	10-49FXG	5,043.00
49GXF: BUTTERFLY VALVE, GROOVED X FLANGED		
2-1/2"	212-49GXF	1,192.00
3"	3-49GXF	1,383.00
4"	4-49GXF	1,517.00
6"	6-49GXF	2,333.00
8"	8-49GXF	3,586.00
10"	10-49GXF	5,043.00

FLUSH FITTING TOOLS – 350/375 BACKFLOW PREVENTERS



APPLICATIONS

Line flushing is simple, safe and easily directed to a safe drain. Flushing can be accomplished by one person, saving up to 15 minutes per installation and preventing debris from fouling the backflow preventer, eliminating call-backs and unnecessary maintenance or replacement of the backflow preventer.

FEATURES

- Unique Blow-Out Flush Fitting (BOF)
- Two O-rings
- 18" leader garden hose (3/4" female hose swivel connection by 3/4" male hose thread connection)

SIZE	LEAD-FREE EXEMPT PART NUMBER	LEAD-FREE EXEMPT LIST PRICE EA.
350 SERIES FLUSH TOOL FOR EASY LINE FLUSHING AT STARTUP		
3/4"	RK34-350FLUSH	43.00
1"	RK1-350FLUSH	49.00
1-1/4" - 2"	RK114-350-375FLUSH	65.00
375 SERIES FLUSH TOOL FOR EASY LINE FLUSHING AT STARTUP		
1/2" - 3/4"	RK34-375FLUSH	42.00
1"	RK1-375FLUSH	46.00
1-1/4" - 2"	RK114-350-375FLUSH	65.00

TG-3 AND TG-5 – BACKFLOW ASSEMBLY TEST KITS



APPLICATIONS

Designed for testing all brands of pressure type vacuum breakers, spill resistant pressure vacuum breakers, double check valve, and reduce pressure type backflow prevention assemblies.

FEATURES

- 200 psi max
- Temperature range 35° to 150°F
- Gauge dial 4-1/2" diameter, 0 – 15 psi scale
- 200 psi line pressure gauge dial
- Accuracy: ±0.2 psid (descending)
- Soft-seated needle valve with replaceable seats (Model TG-3, 3 total) (Model TG-5, 5 total)
- Hoses and fittings (Three) 5' lengths; color-coded and (one 4' long clear bleed tube Model TG-5)
- SAE 45° flare fittings and 90-micron cleanable porous metal filters
- Five-year warranty against defects in materials and manufacturing

PART NUMBER	LIST PRICE EA.
TG-3 AND TG-5 – BACKFLOW ASSEMBLY TEST KITS	
TG-3	3,326.00
TG-5	3,326.00

QT-SET (BRASS) AND QTP (PLASTIC) – QUICK TEST FITTINGS



PART NUMBER	LIST PRICE EA.
QT-SET QUICK TEST FITTINGS	
Set includes 3 each sizes: 1/4", 1/2" and 3/4". SAE flare fittings for fast connect/disconnect.	
QT-SET	375.00
* Also available in a 1/4" thermoplastic model (RK-QTP).	
QTP QUICK TEST PLASTIC FITTINGS	
RK14-QTP	31.00



APPLICATIONS

Adapter kit designed to connect backflow prevention assemblies to a differential pressure test gauge.

FEATURES

- Set includes 3 each in sizes: 1/4", 1/2", 3/4"
- Tear resistant o-rings
- SAE 45 flare fittings – SAE J513
- Knurled for easy gripping
- Includes 3 spare o-rings per size

APPLICATIONS

High visibility, inexpensive adapters designed to connect backflow prevention assemblies to a differential pressure test gauge.

FEATURES

- 1/4"
- Bright orange for visibility
- SAE 45° Flare Fittings - SAE J513
- Sold in convenient 3-pack

BACKFLOW PREVENTERS
 BACKFLOW PREVENTERS ACCESSORIES
 STRAINERS
 AUTOMATIC CONTROL VALVES
 PRESSURE REDUCING VALVES
 FIRE PROTECTION VALVES
 THERMOSTATIC MIXING VALVES
 RELIEF VALVES
 MISCELLANEOUS PLUMBING PRODUCTS
 REPAIR KITS

400 SERIES SETTER



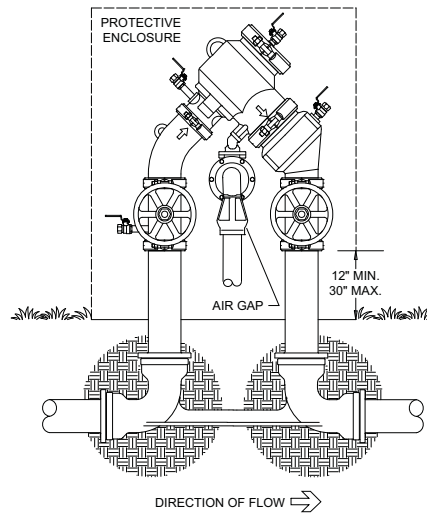
APPLICATIONS

Aids in installation of the ductile iron "n" shape Model 450 and 475 series backflow prevention assemblies.

FEATURES

- 2-1/2" - 10"
- Ductile iron epoxy coated inside and out

TYPICAL INSTALLATION



SIZE	LEAD-FREE PART NUMBER	LEAD-FREE LIST PRICE EA.
FLS: FLANGED X FLANGED		
2-1/2"	212-FLS	789.00
3"	3-FLS	789.00
4"	4-FLS	980.00
6"	6-FLS	1,502.00
8"	8-FLS	1,732.00
10"	10-FLS	2,562.00
MJFS: FLANGED X MECHANICAL JOINT		
3"	3-MJFS	763.00
4"	4-MJFS	951.00
6"	6-MJFS	1,474.00
8"	8-MJFS	1,781.00
10"	10-MJFS	2,601.00
MJS: MECHANICAL JOINT X MECHANICAL JOINT		
3"	3-MJS	763.00
4"	4-MJS	951.00
6"	6-MJS	1,474.00
8"	8-MJS	1,781.00
10"	10-MJS	2,601.00

AG SERIES - AIR GAP



SIZE	INLET X OUTLET CONNECTIONS / OPTIONS	PART NUMBER	LIST PRICE EA.
AG, AIR GAP DRAIN			
1/4" - 1/2"	975XL, Iron, 1" NPT Outlet	AG-8	102.00
3/4" - 1"	975XL, Iron, 1" NPT Outlet	AG-4	108.00
1-1/4" - 2"	975XL, Iron, 2" NPT Outlet	AG-5	143.00
3/4" - 1"	375, Composite, 2" IPS Slip Outlet	AG-11	86.00
1-1/4" - 2"	375, Composite, 3" IPS Slip Outlet	AG-12	113.00
2-1/2" - 6"	375, 375A & 475, Iron, 3" NPT Outlet	AG-6	182.00
8" - 10"	375, 375A & 475, Iron, 4" NPT Outlet	AG-7	300.00
2-1/2" - 3"	475V, Iron, 3" NPT Outlet	AG-6	182.00
4" - 6"	475V, Iron, with Elbow, 3" NPT Outlet	AG-9	237.00
8" - 10"	475V, Iron, with Elbow, 4" NPT Outlet	AG-10	355.00

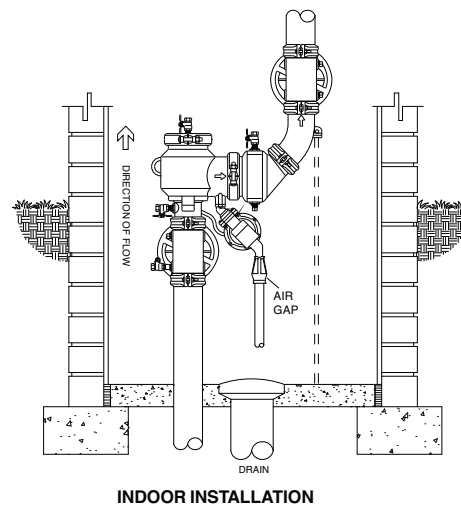
APPLICATIONS

Code mandated device that is necessary when installing a drain line to the relief valve on a Reduced Pressure Principle Assembly. Used primarily in indoor installations.

FEATURES

- See table for applicable outlet pipe sizes
- For use with 1/4" thru 10" Model 975 series, 375 series, and 475 series Reduced Pressure Principle backflow preventers

TYPICAL INSTALLATION



INDOOR INSTALLATION

STRAINERS

Strainers play an integral role in many types of plumbing systems by filtering out debris that could damage sensitive valves and equipment. Zurn Wilkins offers a variety of strainers to meet your plumbing product needs.

YBXL SERIES – WYE STRAINER	62
SXL SERIES – WYE STRAINER	63
FSC SERIES – WYE STRAINER	63
ACV PART NUMBER CONFIGURATION TOOL	64

YBXL SERIES – WYE STRAINER



SIZE	LEAD-FREE PART NUMBER	LEAD-FREE LIST PRICE EA.
YBXL: FNPT X FNPT, 20 MESH SCREEN		
1/2"	12-YBXL	93.00
3/4"	34-YBXL	108.00
1"	1-YBXL	131.00
1-1/4"	114-YBXL	191.00
1-1/2"	112-YBXL	266.00
2"	2-YBXL	396.00
2-1/2"	212-YBXL	721.00
3"	3-YBXL	1,162.00
YBXL: FEMALE CU SWT X FEMALE CU SWT		
1/2"	12-YBXL	90.00
3/4"	34-YBXL	106.00
1"	1-YBXL	127.00
1-1/4"	114-YBXL	178.00
1-1/2"	112-YBXL	241.00
2"	2-YBXL	366.00

OPTIONS AND LIST PRICE ADDERS (ADD OPTION TO LIST PRICE TO DETERMINE TOTAL LIST PRICE)

SIZE	LEAD-FREE LIST PRICE EA.
ALTERNATE MESH SCREENS AVAILABLE: 40, 60, 80 & 100 MESH SCREEN	
1/2"	9.00
3/4"	10.00
1"	12.00
1-1/4"	17.00
1-1/2"	24.00
2"	35.00
2-1/2"	63.00
3"	102.00

Part number will be designated using "-40", "-60", "-80" or "-100" (e.g. 2-YBXL-80).

CLOSURE PLUG (P) OPTION: FNPT X FNPT (E.G. 2-YBXL P)

1/2"	11.00
3/4"	13.00
1"	13.00
1-1/4"	29.00
1-1/2"	41.00
2"	60.00

Part number will be designated with the "P" option (e.g. 2-YBXL P).

APPLICATIONS

The YBXL series wye strainers are a perfect choice for preventing damage to downstream components due to sand and debris in the water.

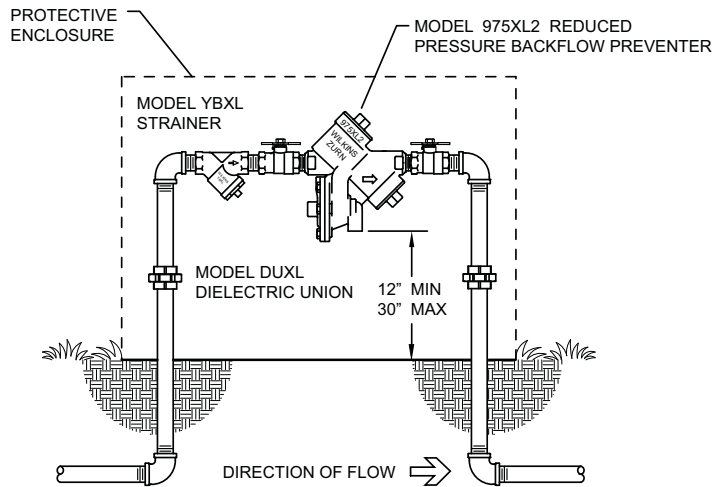
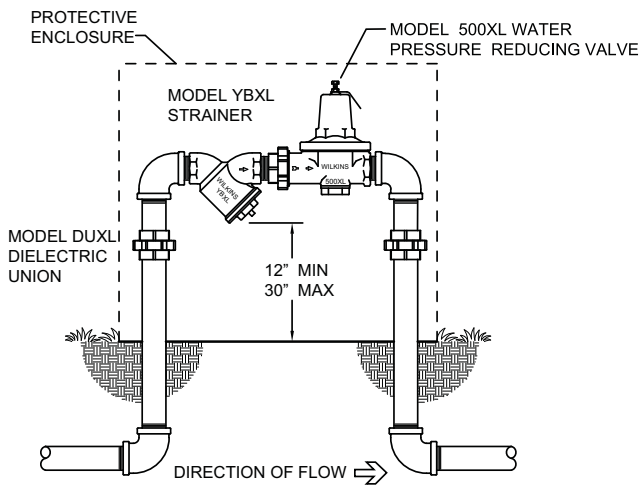
FEATURES

- 1/2" - 3"
- Furnished with 20 mesh stainless steel strainer
- 40, 60, 80 or 100 mesh screens available
- Bronze body construction
- FNPT connections less closure plug (standard)
- Domestic manufacture
- Certified to NSF/ANSI 372

APPROVALS AND APPLICABLE SPECIFICATIONS

Certified to NSF/ANSI 372

TYPICAL INSTALLATION



SXL SERIES - WYE STRAINER



APPLICATIONS

Recommended for a variety of water service lines including residential and commercial irrigation, swimming pools, and cooling tower water.

FEATURES

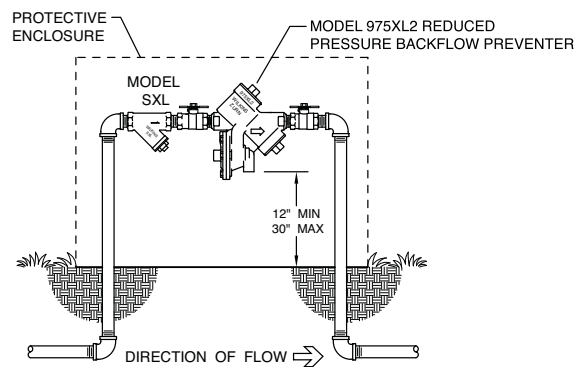
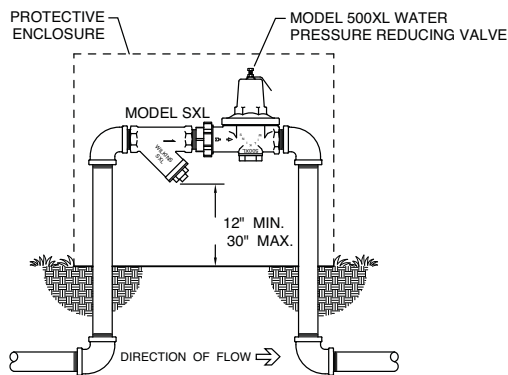
- 3/8" - 3"
- Furnished with 20 mesh stainless steel strainer
- Bronze body construction
- Supplied with brass closure plug
- Certified to NSF/ANSI 61

APPROVALS AND APPLICABLE SPECIFICATIONS

Certified to NSF/ANSI 61

SIZE	LEAD-FREE PART NUMBER	LEAD-FREE LIST PRICE EA.
SXL: FNPT X FNPT		
3/8"	38-SXL	42.00
1/2"	12-SXL	51.00
3/4"	34-SXL	76.00
1"	1-SXL	83.00
1-1/4"	114-SXL	120.00
1-1/2"	112-SXL	168.00
2"	2-SXL	242.00
2-1/2"	212-SXL	416.00
3"	3-SXL	688.00
SXLC: FEMALE CU SWT X FEMALE CU SWT		
3/4"	34-SXLC	76.00
1"	1-SXLC	83.00

TYPICAL INSTALLATION



FSC SERIES - WYE STRAINER



APPLICATIONS

The FSC series flanged wye strainers are perfectly suited for protecting downstream equipment from fouling due to debris.

FEATURES

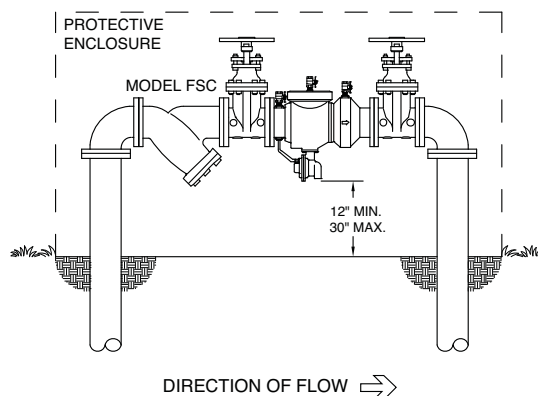
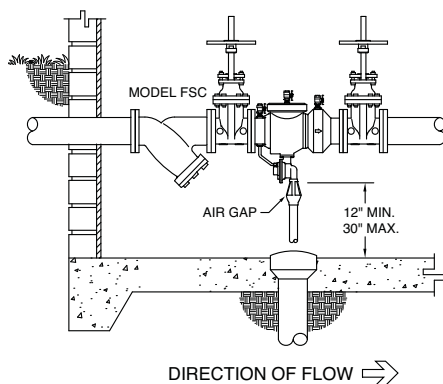
- 2-1/2" - 10"
- Epoxy coated cast iron
- Perforated self-aligning cylindrical metal screen
- Tapped for plug or blow off valve (Closure plug included)
- Domestic pricing available, please contact Zurn Customer Care

APPROVALS AND APPLICABLE SPECIFICATIONS

Certified to NSF/ANSI 372

SIZE	LEAD-FREE PART NUMBER	LEAD-FREE LIST PRICE EA.
FSC STRAINER (FSC) OPTION: FDA EPOXY COATED INTERIOR/EXTERIOR		
2-1/2"	212-FSC	443.00
3"	3-FSC	548.00
4"	4-FSC	903.00
6"	6-FSC	1,475.00
8"	8-FSC	2,994.00
10"	10-FSC	5,181.00
12"	12IN-FSC	9,442.00

TYPICAL INSTALLATION



For additional product information, please visit www.zurn.com.

ACV PART NUMBER CONFIGURATION TOOL

EXAMPLE

212 -	ZW209	A	Y	LP
-------	-------	---	---	----

Code	Description
Plumbing Pipe Size	
114	1-1/4"
112	1-1/2"
2	2"
212	2-1/2"
3	3"
4	4"
6	6"
8	8"
10	10"
12	12"
14	14"
16	16"
Base Part Number	
ZW204	Non-Modulating Float Valve
ZW205	Pressure Relief / Sustaining
ZW205FP	Pressure Relief / Sustaining, Fire Protection
ZW206	Solenoid
ZW207	Shut-Off Valve
ZW209	Pressure Reducing
ZW209BP	Pressure Reducing w / Integral Bypass
ZW209E	Pressure Reducing w / Solenoid
ZW209FP	Pressure Reducing, Fire Protection
ZW209H	Pressure Reducing / Sustaining
ZW209Q	Pressure Reducing / Surge Protection
ZW215FP	Pump Control, Fire Protection
ZW218	Check Valve
ZW221	Altitude Level Control - One Way
ZW222	Altitude Level Control - Two Way
Body Type	
(blank)	Globe In Line Body
A	Angle Body
R	Reduced Port Body

Code	Description
End Connections	
(blank)	Class 150 flanged (Fire Class 300)
G	Grooved
TH	Threaded
Y	Class 300 flanged
X	Class 150 flanged (Fire Only)
Available Options (Varies by Model)	
C	Hydraulic Check
L	Closing Speed Control
O	Opening Speed Control
V	Viton Rubber
Z	Position Indicator
LP	Low Pressure (by model)
LP2	2nd Lowest Pressure (by model)
LP3	Lowest pressure (varies by model)
HP	High Pressure Range
ST	Stainless Steel Tubing
SP	Stainless Steel Pilotry
SH	Stainless Braided Hose
VM	Valve Mounted Float Pilot
R2	24" Rod Extension
R1	12" Rod Extension
R3	36" Rod Extension
NC	120v60hz Normally Closed
NO	120v60hz Normally Open
24NC	24v60hz Normally Closed
24NO	24v60hz Normally Open
NS	Non-standard Solenoid
MO	Manual Operator
W	Remote Pressure/Sensing
F	Atmospheric Drain
RV	Pilot on Reverse side
GL	Liquid Filled Gauges

AUTOMATIC CONTROL VALVES

Zurn Wilkins automatic control valves provide innovative solutions to specific water system requirements. Zurn Wilkins offers the best valve features available, delivering lowest cost of ownership and life-cycle cost, the best industry lead time, and a comprehensive set of approvals.

With standard features such as isolation valves, gauges, wye strainer, and epoxy coating, the Zurn Wilkins 200 Series allows for easier and faster commissioning and maintenance.

ZW209 SERIES – PRESSURE REDUCING VALVE	66
ZW207 SERIES – EXCESS PRESSURE SHUT-OFF VALVE	67
ZW206 SERIES – SOLENOID CONTROL VALVE	68
ZW205 SERIES – PRESSURE RELIEF, PRESSURE SUSTAINING VALVE	69
ZW204 SERIES – NON-MODULATING FLOAT VALVE	70
ZW218 SERIES – SLOW CLOSE CHECK VALVE	71
ZW221/ZW222 SERIES – ALTITUDE LEVEL CONTROL VALVES	72
ZW209FP SERIES – FIRE PROTECTION PRESSURE REDUCING VALVE	73
ZW205FP SERIES – FIRE PROTECTION PRESSURE RELIEF VALVE	74
ZW215FP SERIES – FIRE PUMP SUCTION CONTROL VALVE	75
AUTOMATIC CONTROL VALVE OPTIONS AND ACCESSORIES	76

ZW209 SERIES – PRESSURE REDUCING VALVE



APPLICATIONS

Steady downstream pressure and high flow rates are provided with the ZW209 Pressure Reducing Automatic Control Valve.

FEATURES

- 1-1/4" - 16"
- Globe, reduced port globe, and angle bodies available
- Standard downstream pressure range 15 to 150 psi, contact factory for other range options
- Pressure rating: 150 Class flanged, 250 psi max; 300 Class flanged or grooved, 400 psi max; Threaded, 400 psi max
- 140°F max
- Pressure gauges, wye strainer, isolation valves, and epoxy coating come standard
- Opening Speed Control standard (sizes 1-1/4" - 4")

APPROVALS AND APPLICABLE STANDARDS

- Certified to NSF/ANSI 61 and 372

IMPORTANT

Completed order form required.

SIZE	LEAD-FREE PART NUMBER	LEAD-FREE LIST PRICE EA.
ZW209: PRESSURE REDUCING VALVE, CLASS 150, FLANGED X FLANGED		
1-1/4"	114-ZW209TH	2,977.00
1-1/2"	112-ZW209	2,977.00
2"	2-ZW209	3,504.00
2-1/2"	212-ZW209	3,670.00
3"	3-ZW209	3,754.00
4"	4-ZW209	4,785.00
6"	6-ZW209	7,474.00
8"	8-ZW209	12,501.00
10"	10-ZW209	17,719.00
12"	12-ZW209	23,124.00
14"	14-ZW209	36,817.00
16"	16-ZW209	42,886.00

SIZE	LEAD-FREE PART NUMBER	LEAD-FREE LIST PRICE EA.
ZW209Y: PRESSURE REDUCING VALVE, CLASS 300, FLANGED X FLANGED		
1-1/2"	112-ZW209Y	3,204.00
2"	2-ZW209Y	3,738.00
2-1/2"	212-ZW209Y	3,927.00
3"	3-ZW209Y	4,344.00
4"	4-ZW209Y	5,706.00
6"	6-ZW209Y	9,108.00
8"	8-ZW209Y	14,467.00
10"	10-ZW209Y	19,685.00
12"	12-ZW209Y	24,093.00
14"	14-ZW209Y	39,743.00
16"	16-ZW209Y	44,988.00

SIZE	LEAD-FREE PART NUMBER	LEAD-FREE LIST PRICE EA.
ZW209BP: PRESSURE REDUCING VALVE WITH LOW FLOW BY-PASS, CLASS 150, FLANGED X FLANGED		
1-1/4"	114-ZW209BPTH	3,573.00
1-1/2"	112-ZW209BP	3,573.00
2"	2-ZW209BP	4,199.00
2-1/2"	212-ZW209BP	4,876.00
3"	3-ZW209BP	4,937.00
4"	4-ZW209BP	6,022.00

SIZE	LEAD-FREE PART NUMBER	LEAD-FREE LIST PRICE EA.
ZW209BPY: PRESSURE REDUCING VALVE WITH LOW FLOW BY-PASS, CLASS 300, FLANGED X FLANGED		
1-1/2"	112-ZW209BPY	3,799.00
2"	2-ZW209BPY	4,434.00
2-1/2"	212-ZW209BPY	5,134.00
3"	3-ZW209BPY	5,526.00
4"	4-ZW209BPY	6,943.00

SIZE	LEAD-FREE PART NUMBER	LEAD-FREE LIST PRICE EA.
ZW209 / ZW209BP: OPTION		
OPENING SPEED CONTROL (O) OPTION, (STANDARD ON ZW209 AND ZW209BP 4" AND SMALLER)		
6" - 10"	O Option	184.00

SIZE	LEAD-FREE PART NUMBER	LEAD-FREE LIST PRICE EA.
ZW209E: PRESSURE REDUCING VALVE WITH SOLENOID SHUT-OFF, CLASS 150, FLANGED X FLANGED		
1-1/4"	114-ZW209ETH	3,727.00
1-1/2"	112-ZW209E	3,727.00
2"	2-ZW209E	4,253.00
2-1/2"	212-ZW209E	4,419.00
3"	3-ZW209E	4,503.00
6"	6-ZW209E	8,223.00
8"	8-ZW209E	13,250.00
10"	10-ZW209E	18,468.00
12"	12-ZW209E	23,873.00
14"	14-ZW209E	37,566.00
16"	16-ZW209E	43,635.00

SIZE	LEAD-FREE PART NUMBER	LEAD-FREE LIST PRICE EA.
ZW209EY: PRESSURE REDUCING VALVE WITH SOLENOID SHUT-OFF, CLASS 300, FLANGED X FLANGED		
1-1/2"	112-ZW209EY	3,953.00
2"	2-ZW209EY	4,487.00
2-1/2"	212-ZW209EY	4,677.00
3"	3-ZW209EY	5,093.00
4"	4-ZW209EY	6,455.00
6"	6-ZW209EY	9,857.00
8"	8-ZW209EY	15,216.00
10"	10-ZW209EY	20,434.00
12"	12-ZW209EY	24,842.00
14"	14-ZW209EY	40,492.00
16"	16-ZW209EY	45,737.00

Options for all ZW209s

SIZE	DESCRIPTION	LEAD-FREE ADDER
ZW209H: PRESSURE REDUCING / PRESSURE SUSTAINING FUNCTION, CLASS 150, FLANGED X FLANGED		
1-1/4" - 10"	H Option to ZW209	642.00

SIZE	DESCRIPTION	LEAD-FREE ADDER
ZW209Q: PRESSURE REDUCING / SURGE CONTROL VALVE, CLASS 150, FLANGED X FLANGED		
1-1/4" - 10"	Q Option to ZW209	1,215.00

SIZE	DESCRIPTION	LEAD-FREE ADDER
LOW PRESSURE RANGE PILOT (5-25 PSI) (LP) OPTION		
1-1/4" - 10"	LP Option	277.00

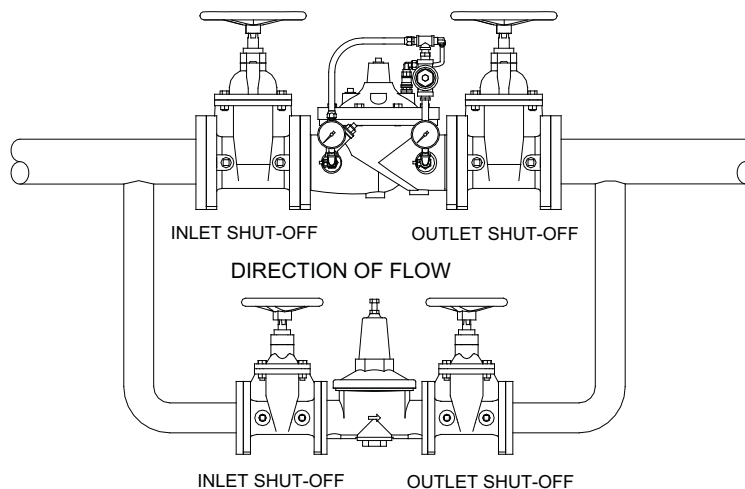
SIZE	DESCRIPTION	LEAD-FREE ADDER
HIGH PRESSURE RANGE PILOT (30-300 PSI) (HP) OPTION		
1-1/4" - 10"	HP Option	615.00

SIZE	DESCRIPTION	LEAD-FREE ADDER
FOR ZW209H ONLY - LOW PRESSURE RANGE PILOT AND HIGH PRESSURE RANGE PILOT (LPH) OPTION		
1-1/4" - 10"	LPH Option	615.00

For threaded or grooved end connections and angle body pricing, use Class 150 valve pricing.

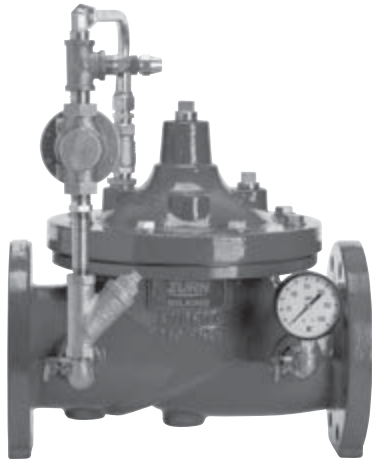
For reduced port body pricing, see Options and Accessories on page 76.

TYPICAL INSTALLATION



For additional product information, please visit www.zurn.com.

ZW207 SERIES – EXCESS PRESSURE SHUT-OFF VALVE



FEATURES

- 1-1/4" - 16"
- Globe, reduced port globe, and angle bodies available
- Pilot Spring Range 50-200 psi
- Pressure rating: 150 Class flanged, 250 psi max; 300 Class flanged or grooved, 400 psi max; Threaded, 400 psi max
- 140°F max
- Commonly used in conjunction with a ZW209 for system redundancy
- Pressure gauge, wye strainer, isolation valves, and epoxy coating come standard

APPROVALS AND APPLICABLE STANDARDS

- ANSI/AWWA C530
- Certified to NSF/ANSI 61 and 372

IMPORTANT

Completed order form required.

APPLICATIONS

Protect downstream equipment from over-pressurization with the ZW207 Excess Pressure Shutdown valve. Closes in the event of high supply pressure.

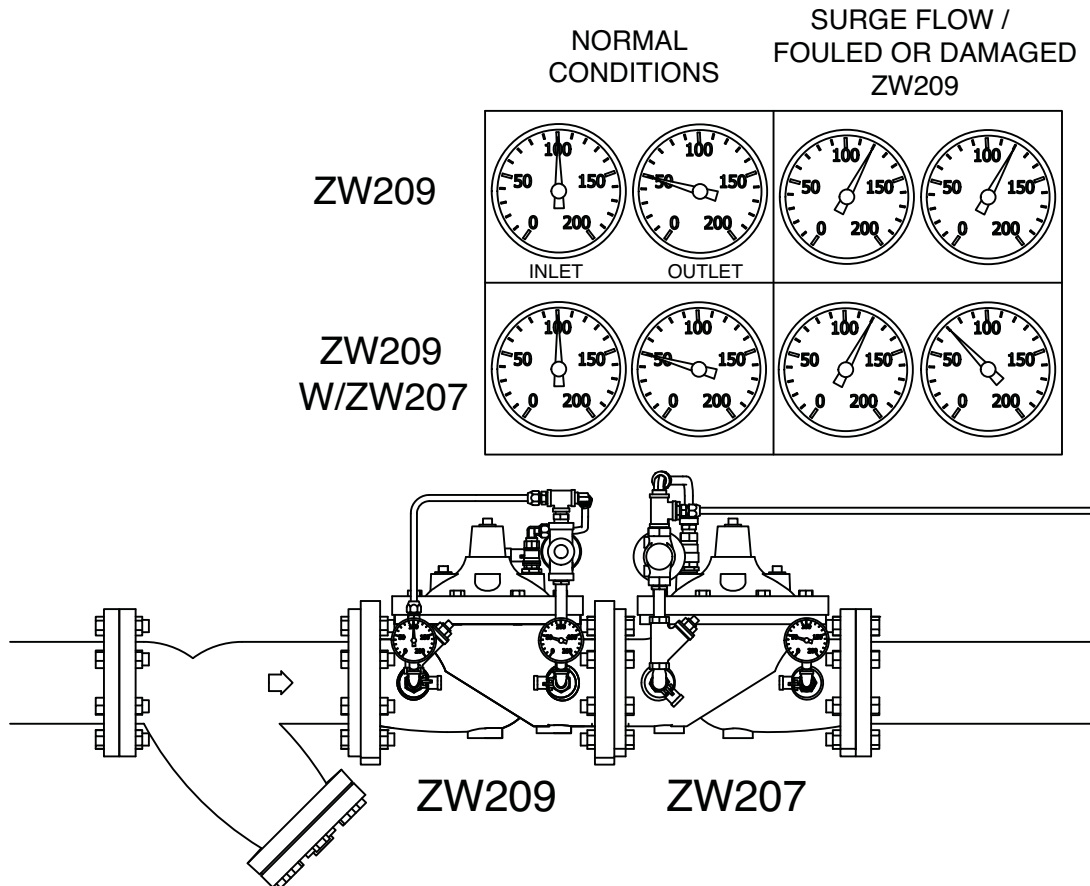
SIZE	LEAD-FREE PART NUMBER	LEAD-FREE LIST PRICE EA.
ZW207: EXCESS PRESSURE SHUTDOWN VALVE, CLASS 150, FLANGED X FLANGED		
1-1/4"	114-ZW207TH	3,277.00
1-1/2"	112-ZW207	3,277.00
2"	2-ZW207	3,909.00
2-1/2"	212-ZW207	4,088.00
3"	3-ZW207	4,269.00
4"	4-ZW207	5,481.00
6"	6-ZW207	8,258.00
8"	8-ZW207	13,372.00
10"	10-ZW207	18,590.00
12"	12-ZW207	23,863.00
14"	14-ZW207	38,271.00
16"	16-ZW207	44,596.00

SIZE	LEAD-FREE PART NUMBER	LEAD-FREE LIST PRICE EA.
ZW207Y: EXCESS PRESSURE SHUTDOWN VALVE, CLASS 300, FLANGED X FLANGED		
1-1/2"	112-ZW207Y	3,504.00
2"	2-ZW207Y	4,144.00
2-1/2"	212-ZW207Y	4,345.00
3"	3-ZW207Y	4,859.00
4"	4-ZW207Y	6,403.00
6"	6-ZW207Y	9,892.00
8"	8-ZW207Y	15,338.00
10"	10-ZW207Y	20,556.00

For threaded or grooved end connections and angle body pricing, use Class 150 valve pricing.

For reduced port body pricing, see Options and Accessories on page 76.

TYPICAL INSTALLATION



For additional product information, please visit www.zurn.com.

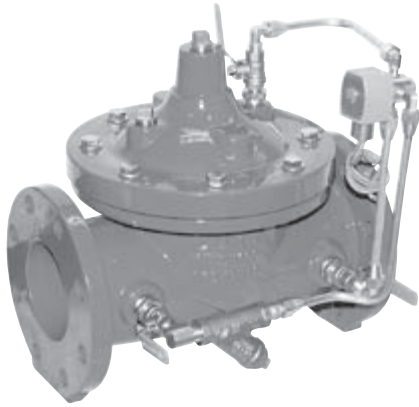
BACKFLOW PREVENTERS
 BACKFLOW PREVENTERS ACCESSORIES
 STRAINERS
 AUTOMATIC CONTROL VALVES
 PRESSURE REDUCING VALVES
 FIRE PROTECTION VALVES
 THERMOSTATIC MIXING VALVES
 RELIEF VALVES
 MISCELLANEOUS PLUMBING PRODUCTS
 REPAIR KITS

ZW206 SERIES – SOLENOID CONTROL VALVE

BACKFLOW PREVENTERS

BACKFLOW PREVENTERS ACCESSORIES

STRAINERS



FEATURES

- 1-1/4" - 16"
- Globe, reduced port globe, and angle bodies available
- Pressure rating: 150 Class flanged, 250 psi max; 300 Class flanged or grooved, 400 psi max; Threaded, 400 psi max
- 140°F max
- On/off type valve that either opens or closes upon receiving an electrical signal to the solenoid pilot control
- Valve is furnished either normally open (energized solenoid to close) or normally closed (energize solenoid to open)
- Wye strainer, isolation valves, and epoxy coating come standard
- NEMA Type 1, 2, 3, 3S, 4, 4X general purpose watertight solenoid

SIZE	LEAD-FREE PART NUMBER	LEAD-FREE LIST PRICE EA.
ZW206: SOLENOID CONTROL VALVE, CLASS 150, FLANGED X FLANGED		
1-1/4"	114-ZW206TH	3,178.00
1-1/2"	112-ZW206	3,178.00
2"	2-ZW206	3,743.00
2-1/2"	212-ZW206	3,783.00
3"	3-ZW206	3,970.00
4"	4-ZW206	5,546.00
6"	6-ZW206	9,042.00
8"	8-ZW206	13,881.00
10"	10-ZW206	18,984.00
12"	12-ZW206	23,660.00
14"	14-ZW206	37,460.00
16"	16-ZW206	43,446.00
ZW206: SOLENOID CONTROL VALVE, CLASS 300, FLANGED X FLANGED		
1-1/2"	112-ZW206Y	3,404.00
2"	2-ZW206Y	3,978.00
2-1/2"	212-ZW206Y	4,041.00
3"	3-ZW206Y	4,559.00
4"	4-ZW206Y	6,467.00
6"	6-ZW206Y	10,675.00
8"	8-ZW206Y	15,847.00
10"	10-ZW206Y	20,950.00
12"	12-ZW206Y	24,629.00
14"	14-ZW206Y	40,385.00
16"	16-ZW206Y	45,548.00
ZW206: OPTION		
MANUAL OPERATOR ON SOLENOID VALVE (MO) OPTION		
1-1/4" - 10"	MO Option	181.00

APPLICATIONS

When the need arises to open or close a valve electrically, look no further than the non-modulating ZW206 Solenoid Control Valve.

APPROVALS AND APPLICABLE STANDARDS

- ANSI/AWWA C530
- Certified to NSF/ANSI 61 and 372

IMPORTANT

Completed order form required.

AUTOMATIC CONTROL VALVES

PRESSURE REDUCING VALVES

FIRE PROTECTION VALVES

For threaded or grooved end connections and angle body pricing, use Class 150 valve pricing.

For reduced port body pricing, see Options and Accessories on page 76.

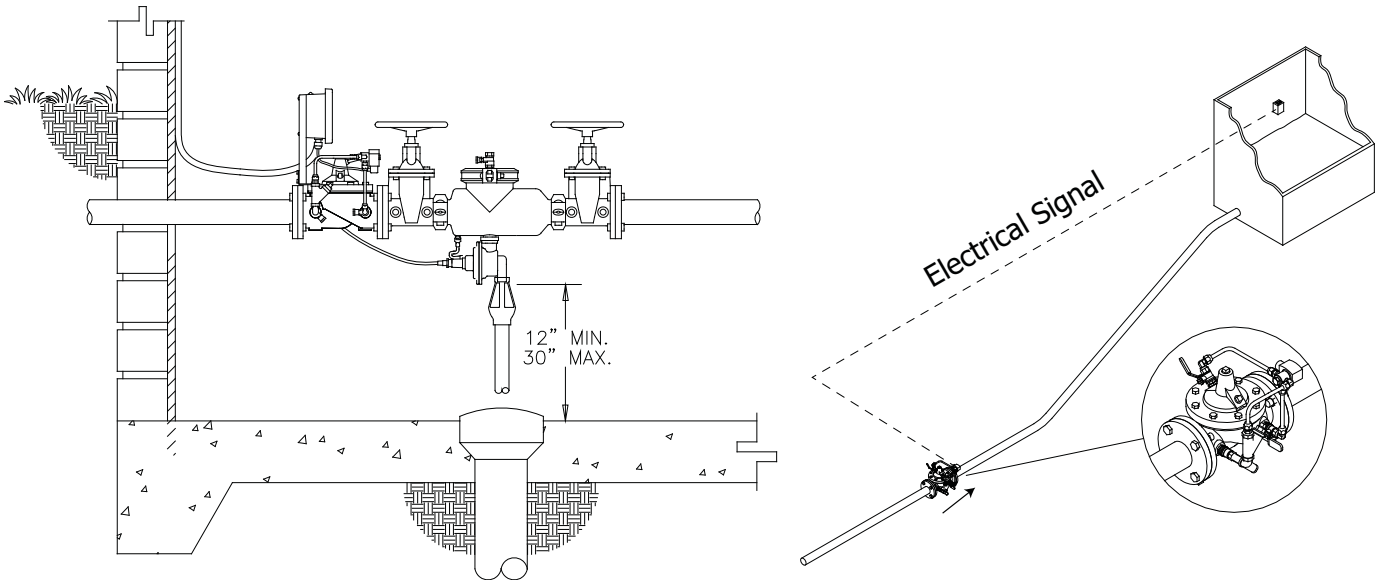
TYPICAL INSTALLATION

THERMOSTATIC MIXING VALVES

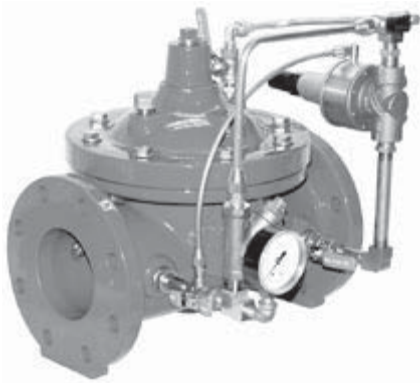
RELIEF VALVES

MISCELLANEOUS PLUMBING PRODUCTS

REPAIR KITS



ZW205 SERIES – PRESSURE RELIEF, PRESSURE SUSTAINING VALVE



APPLICATIONS

High capacity pressure relief or upstream pressure control is the function of the modulating ZW205 pressure relief / pressure sustaining valve.

FEATURES

- 1-1/4" - 16"
- Globe, reduced port globe, and angle bodies available
- Pilot spring range 50-200 psi
- Pressure rating: 150 Class flanged, 250 psi max; 300 Class flanged or grooved, 400 psi max; Threaded, 400 psi max
- 140°F max
- Pressure gauge, wye strainer, isolation valves, and epoxy coating come standard
- When used in a by-pass line, the Model ZW205 functions as a relief valve protecting against potentially damaging surges. Can also be used to sustain pressure when plumbed in line
- Closing speed control (Standard on 4" or smaller)

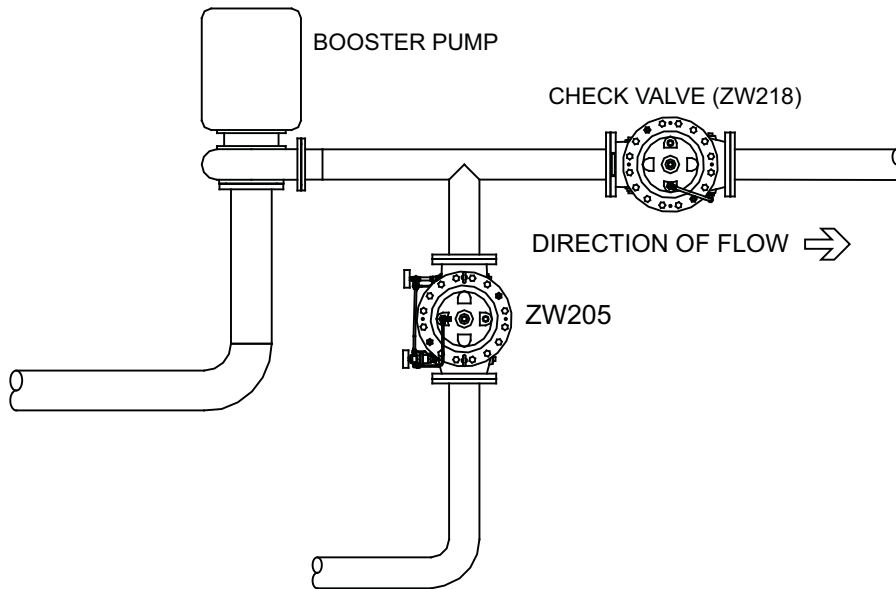
APPROVALS AND APPLICABLE STANDARDS

- ANSI/AWWA C530
- Certified to NSF/ANSI 61 and 372

IMPORTANT

Completed order form required.

TYPICAL INSTALLATION



SIZE	LEAD-FREE PART NUMBER	LEAD-FREE LIST PRICE EA.
ZW205: PRESSURE RELIEF, PRESSURE SUSTAINING VALVE, CLASS 150, FLANGED X FLANGED		
1-1/4"	114-ZW205TH	3,405.00
1-1/2"	112-ZW205	3,405.00
2"	2-ZW205	3,465.00
2-1/2"	212-ZW205	3,699.00
3"	3-ZW205	3,969.00
4"	4-ZW205	5,660.00
6"	6-ZW205	8,229.00
8"	8-ZW205	13,442.00
10"	10-ZW205	18,496.00
12"	12-ZW205	23,863.00
14"	14-ZW205	38,271.00
16"	16-ZW205	44,596.00
ZW205Y: PRESSURE RELIEF, PRESSURE SUSTAINING VALVE, CLASS 300, FLANGED X FLANGED		
1-1/2"	112-ZW205Y	3,631.00
2"	2-ZW205Y	3,700.00
2-1/2"	212-ZW205Y	3,957.00
3"	3-ZW205Y	4,558.00
4"	4-ZW205Y	6,581.00
6"	6-ZW205Y	9,863.00
8"	8-ZW205Y	15,408.00
10"	10-ZW205Y	20,462.00
12"	12-ZW205Y	24,832.00
14"	14-ZW205Y	41,197.00
16"	16-ZW205Y	46,698.00

ZW205: OPTIONS		
CLOSING SPEED CONTROL (L) OPTION (STANDARD ON MODEL ZW205 4" AND SMALLER)		
6" - 10"	L Option	184.00
HIGH PRESSURE RANGE PILOT (150-300 PSI) (HP) OPTION		
1-1/4" - 10"	HP Option	135.00
LOW PRESSURE RANGE PILOT (30-90 PSI) (LP) OPTION		
1-1/4" - 10"	LP Option	No Charge
LOW PRESSURE RANGE PILOT (10-35 PSI) (LP2) OPTION		
1-1/4" - 10"	LP2 Option	No Charge
LOW PRESSURE RANGE PILOT (5-15 PSI) (LP3) OPTION		
1-1/4" - 10"	LP3 Option	No Charge

For threaded or grooved end connections and angle body pricing, use Class 150 valve pricing.

For reduced port body pricing, see Options and Accessories on page 76.

ZW204 SERIES – NON-MODULATING FLOAT VALVE



FEATURES

- 1-1/4" - 16"
- Globe, reduced port globe, and angle bodies available
- Pressure rating: 150 Class flanged, 250 psi max; 300 Class flanged or grooved, 400 psi max; Threaded, 400 psi max
- 140°F max
- 1', 2', or 3' float rod extensions available
- Remotely mounted pilot (standard)
- Wye strainer, isolation valves, and epoxy coating come standard
- Corrosion resistant stainless steel float, rod, and Monel pilot valve seat

APPROVALS AND APPLICABLE STANDARDS

- ANSI/AWWA C530
- Certified to NSF/ANSI 61 and 372

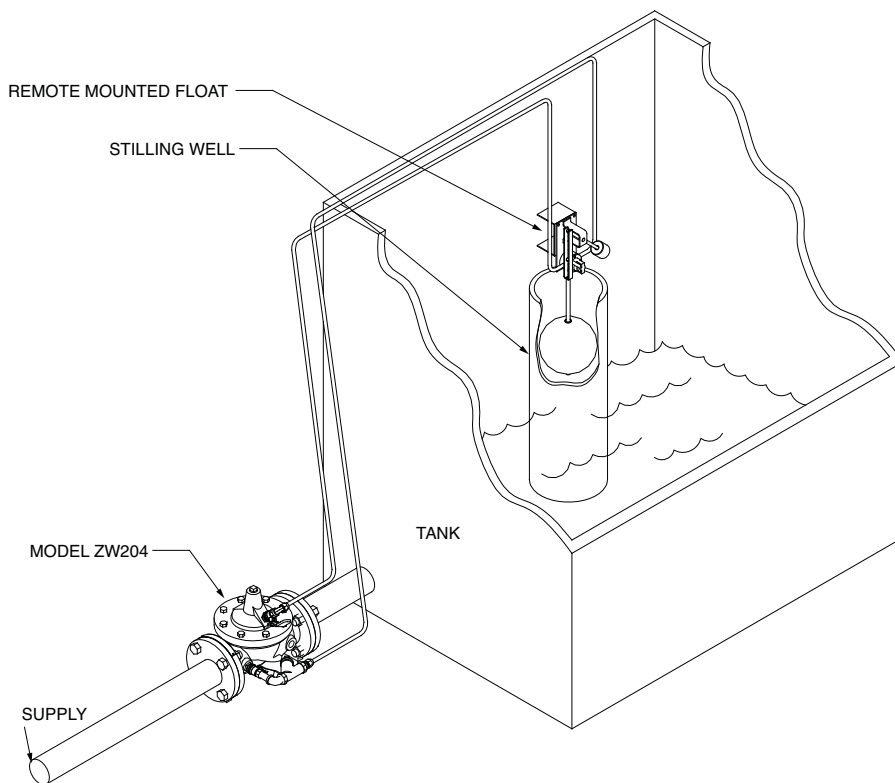
IMPORTANT

Completed order form required.

APPLICATIONS

Controlling the fluid level in a tank is easily accomplished with the Zurn Wilkins ZW204 non-modulating float valve that opens fully at a low set point and closes tightly at a high set point.

TYPICAL INSTALLATION



SIZE	LEAD-FREE PART NUMBER	LEAD-FREE LIST PRICE EA.
ZW204: NON-MODULATING FLOAT VALVE, CLASS 150, FLANGED X FLANGED		
1-1/4"	114-ZW204TH	2,410.00
1-1/2"	112-ZW204	2,410.00
2"	2-ZW204	2,672.00
2-1/2"	212-ZW204	2,887.00
3"	3-ZW204	3,154.00
4"	4-ZW204	4,517.00
6"	6-ZW204	6,805.00
8"	8-ZW204	12,918.00
10"	10-ZW204	18,660.00
12"	12-ZW204	23,897.00
14"	14-ZW204	37,933.00
16"	16-ZW204	44,021.00

SIZE	LEAD-FREE PART NUMBER	LEAD-FREE LIST PRICE EA.
ZW204Y: NON-MODULATING FLOAT VALVE, CLASS 300, FLANGED X FLANGED		
1-1/2"	112-ZW204Y	2,636.00
2"	2-ZW204Y	2,906.00
2-1/2"	212-ZW204Y	3,145.00
3"	3-ZW204Y	3,743.00
4"	4-ZW204Y	5,438.00
6"	6-ZW204Y	8,438.00
8"	8-ZW204Y	14,884.00
10"	10-ZW204Y	20,625.00
12"	12-ZW204Y	24,866.00
14"	14-ZW204Y	40,859.00
16"	16-ZW204Y	46,123.00

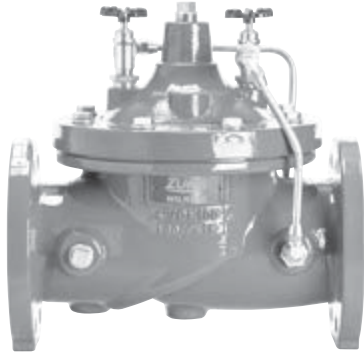
ZW204: OPTIONS		
VALVE MOUNTED FLOAT (VM) OPTION		
1-1/4" - 10"	VM Option	695.00
ROD EXTENSION (E.G. 4-ZW204R1, OR IF PURCHASED AS STANDALONE PRODUCT, PV-FNM-R1)		
1-1/4" - 10"	R1 Option, 1' Length	184.00
1-1/4" - 10"	R2 Option, 2' Length	206.00
1-1/4" - 10"	R3 Option, 3' Length	228.00

For threaded or grooved end connections and angle body pricing, use Class 150 valve pricing.

For reduced port body pricing, see Options and Accessories on page 76.

BACKFLOW PREVENTERS
BACKFLOW PREVENTERS ACCESSORIES
STRAINERS
AUTOMATIC CONTROL VALVES
PRESSURE REDUCING VALVES
FIRE PROTECTION VALVES
THERMOSTATIC MIXING VALVES
RELIEF VALVES
MISCELLANEOUS PLUMBING PRODUCTS
REPAIR KITS

ZW218 SERIES – SLOW CLOSE CHECK VALVE



APPLICATIONS

In applications that require a slow closing check valve, the ZW218 stands ready to perform.

FEATURES

- 1-1/4" - 16"
- Globe, reduced port globe, and angle bodies available
- Pressure rating: 150 Class flanged, 250 psi max; 300 Class flanged or grooved, 400 psi max; threaded, 400 psi max
- 140°F max
- Opening and closing speed controls standard for all sizes
- Epoxy coating standard

APPROVALS AND APPLICABLE STANDARDS

- ANSI/AWWA C530
- Certified to NSF/ANSI 61 and 372

IMPORTANT

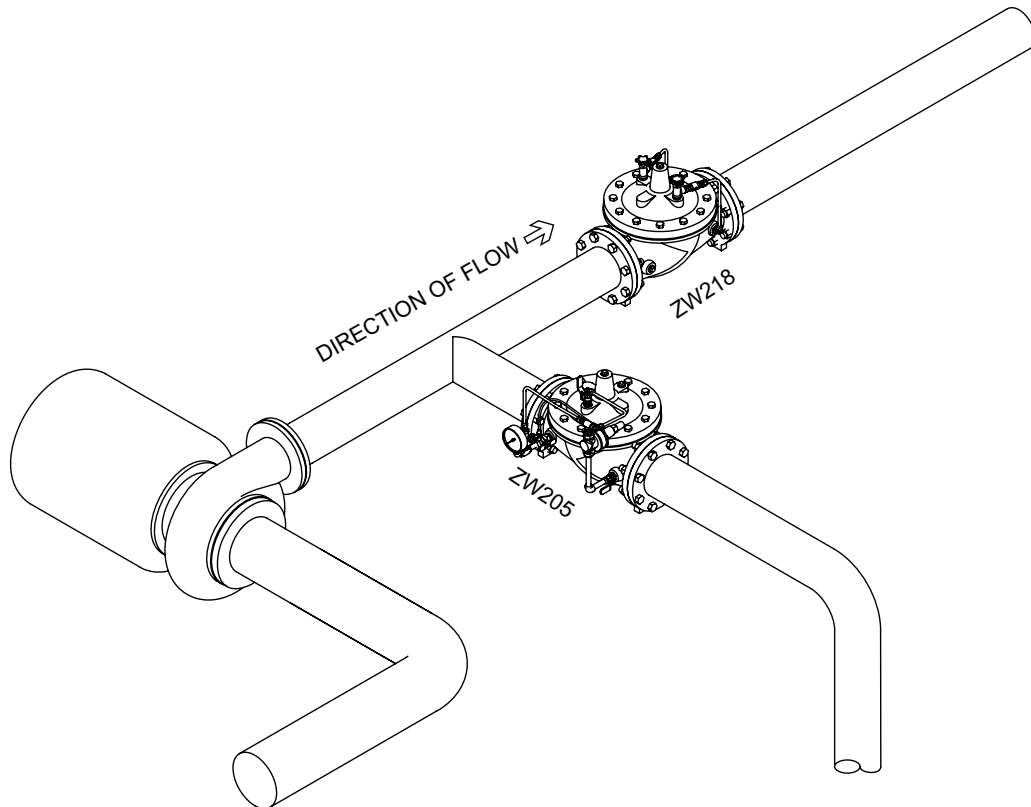
Completed order form required.

SIZE	LEAD-FREE PART NUMBER	LEAD-FREE LIST PRICE EA.
ZW218: CHECK VALVE, CLASS 150, FLANGED X FLANGED		
1-1/4"	114-ZW218TH	2,829.00
1-1/2"	112-ZW218	2,829.00
2"	2-ZW218	3,329.00
2-1/2"	212-ZW218	3,486.00
3"	3-ZW218	3,567.00
4"	4-ZW218	4,545.00
6"	6-ZW218	7,100.00
8"	8-ZW218	11,876.00
10"	10-ZW218	16,833.00
12"	12-ZW218	22,950.00
14"	14-ZW218	36,986.00
16"	16-ZW218	42,939.00
ZW218Y: CHECK VALVE, CLASS 300, FLANGED X FLANGED		
1-1/2"	112-ZW218Y	3,055.00
2"	2-ZW218Y	3,564.00
2-1/2"	212-ZW218Y	3,744.00
3"	3-ZW218Y	4,156.00
4"	4-ZW218Y	5,467.00
6"	6-ZW218Y	8,734.00
8"	8-ZW218Y	13,842.00
10"	10-ZW218Y	18,799.00

For threaded or grooved end connections and angle body pricing, use Class 150 valve pricing.

For reduced port body pricing, see Options and Accessories on page 76.

TYPICAL INSTALLATION



ZW221/ZW222 SERIES – ALTITUDE LEVEL CONTROL VALVES

BACKFLOW PREVENTERS
 BACKFLOW PREVENTERS ACCESSORIES
 STRAINERS
 AUTOMATIC CONTROL VALVES
 PRESSURE REDUCING VALVES
 FIRE PROTECTION VALVES
 THERMOSTATIC MIXING VALVES
 RELIEF VALVES
 MISCELLANEOUS PLUMBING PRODUCTS
 REPAIR KITS



FEATURES

- 1-1/4" - 16"
- Globe, reduced port globe, and angle bodies available
- Pressure rating: 150 Class flanged, 250 psi max; 300 Class flanged or grooved, 400 psi max; threaded, 400 psi max
- 140°F max
- Stainless steel braided hoses on pilotry standard for corrosion resistance
- Epoxy coating standard
- Standard valves come with one set point – the valve opens to fill the tank and will close drip-tight once the high water level is reached
- Adjustment ranges available from 5' to 230'
- "D" Delayed Opening/Dual Set Point Option delays opening of valve until water reaches a lower set point

APPLICATIONS

The ZW221 and ZW222 Altitude Level Control Valves accurately control water level based on relative pressure, without the need for floats and sensors. The ZW221 One Way Altitude Level Control Valve controls water level in a tank or reservoir. The ZW222 Two Way Altitude Level Control Valve controls water level in a tank or reservoir, while also allowing reverse flow, so that only one line is needed to the tank/reservoir. When upstream supply pressure drops below tank pressure, main valve opens, allowing water to flow back upstream.

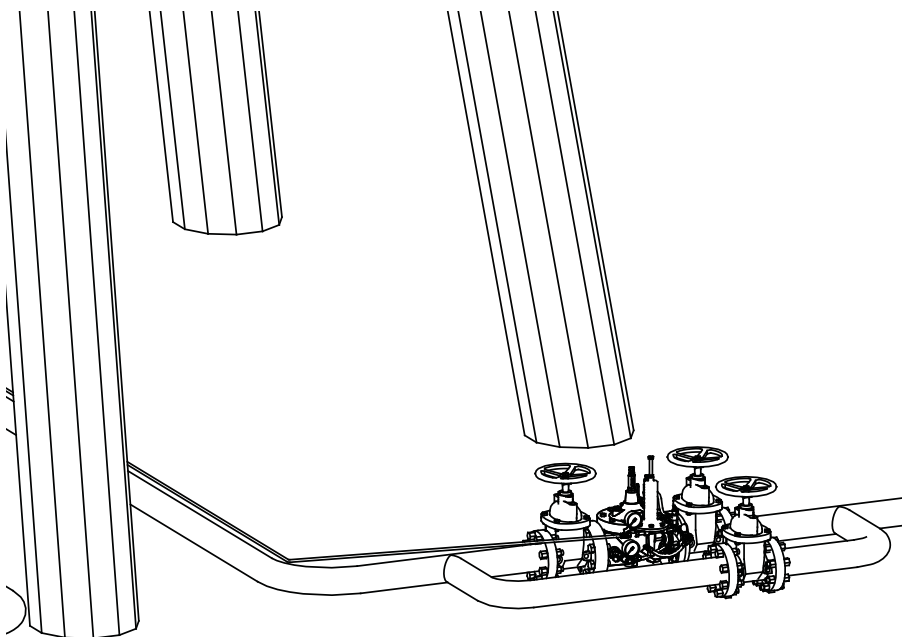
APPROVALS AND APPLICABLE STANDARDS

- ANSI/AWWA C530
- Certified to NSF/ANSI 61 and 372

IMPORTANT

Completed order form required.

TYPICAL INSTALLATION



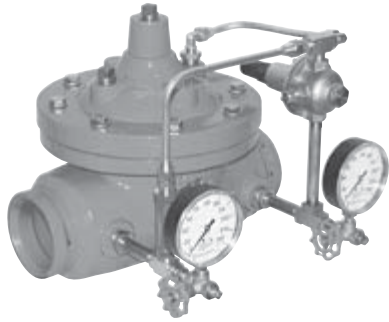
SIZE	LEAD-FREE PART NUMBER	LEAD-FREE LIST PRICE EA.
ZW221: ONE WAY ALTITUDE VALVE, CLASS 150, FLANGED X FLANGED		
1-1/4"	114-ZW221TH	4,059.00
1-1/2"	112-ZW221	4,059.00
2"	2-ZW221	5,632.00
2-1/2"	212-ZW221	6,613.00
3"	3-ZW221	6,698.00
4"	4-ZW221	7,915.00
6"	6-ZW221	9,792.00
8"	8-ZW221	14,088.00
10"	10-ZW221	15,542.00
12"	12-ZW221	23,626.00
14"	14-ZW221	35,836.00
16"	16-ZW221	42,093.00
ZW221Y: ONE WAY ALTITUDE VALVE, CLASS 300, FLANGED X FLANGED		
1-1/2"	112-ZW221Y	4,286.00
2"	2-ZW221Y	5,867.00
2-1/2"	212-ZW221Y	6,870.00
3"	3-ZW221Y	7,287.00
4"	4-ZW221Y	8,837.00
6"	6-ZW221Y	11,426.00
8"	8-ZW221Y	16,054.00
10"	10-ZW221Y	17,508.00
12"	12-ZW221Y	24,595.00
14"	14-ZW221Y	38,762.00
16"	16-ZW221Y	44,195.00

SIZE	LEAD-FREE PART NUMBER	LEAD-FREE LIST PRICE EA.
ZW222: TWO WAY ALTITUDE VALVE, CLASS 150, FLANGED X FLANGED		
1-1/4"	114-ZW222TH	4,313.00
1-1/2"	112-ZW222	4,313.00
2"	2-ZW222	5,886.00
2-1/2"	212-ZW222	6,867.00
3"	3-ZW222	6,951.00
4"	4-ZW222	8,169.00
6"	6-ZW222	10,046.00
8"	8-ZW222	14,325.00
10"	10-ZW222	15,711.00
12"	12-ZW222	23,744.00
14"	14-ZW222	35,971.00
16"	16-ZW222	42,246.00
ZW222Y: TWO WAY ALTITUDE VALVE, CLASS 300, FLANGED X FLANGED		
1-1/2"	112-ZW222Y	4,540.00
2"	2-ZW222Y	6,121.00
2-1/2"	212-ZW222Y	7,124.00
3"	3-ZW222Y	7,541.00
4"	4-ZW222Y	9,090.00
6"	6-ZW222Y	11,679.00
8"	8-ZW222Y	16,291.00
10"	10-ZW222Y	17,677.00
12"	12-ZW222Y	24,713.00
14"	14-ZW222Y	38,897.00
16"	16-ZW222Y	44,347.00

For threaded or grooved end connections and angle body pricing, use Class 150 valve pricing.

For reduced port body pricing, see Options and Accessories on page 76.

ZW209FP SERIES – FIRE PROTECTION PRESSURE REDUCING VALVE



FEATURES

- 1-1/4" - 10"
- Globe and angle bodies available
- Pressure rating: 300 Class flanged, grooved, or threaded 300 psi max
- Outlet pressure is field adjustable from 30 psi to 165 psi
- 140°F max
- Pressure gauges, wye strainers, and epoxy coating come standard

APPROVALS AND APPLICABLE STANDARDS

- UL and C-UL Listed

IMPORTANT

Completed order form required.

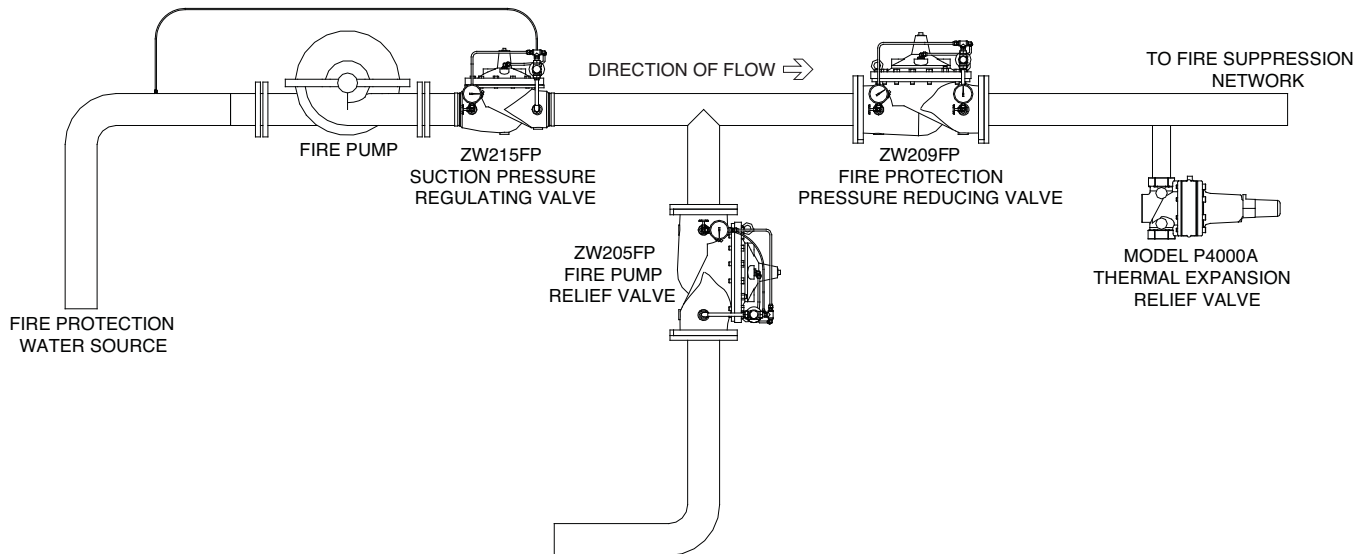
SIZE	LEAD-FREE PART NUMBER	LEAD-FREE LIST PRICE EA.
ZW209FP: FIRE PROTECTION PRESSURE REDUCING VALVE, CLASS 300, FLANGED X FLANGED		
1-1/2"	112-ZW209FPY	3,230.00
2"	2-ZW209FPY	3,617.00
2-1/2"	212-ZW209FPY	4,428.00
3"	3-ZW209FPY	4,637.00
4"	4-ZW209FPY	6,298.00
6"	6-ZW209FPY	8,386.00
8"	8-ZW209FPY	12,918.00
10"	10-ZW209FPY	20,274.00
ZW209FPX: FIRE PROTECTION PRESSURE REDUCING VALVE, CLASS 150, FLANGED X FLANGED		
1-1/4"	114-ZW209FPX	3,015.00
1-1/2"	112-ZW209FPX	3,015.00
2"	2-ZW209FPX	3,373.00
2-1/2"	212-ZW209FPX	3,808.00
3"	3-ZW209FPX	4,088.00
4"	4-ZW209FPX	5,412.00
6"	6-ZW209FPX	7,988.00
8"	8-ZW209FPX	12,506.00
10"	10-ZW209FPX	19,126.00

For threaded or grooved end connections and angle body pricing, use Class 150 valve pricing.

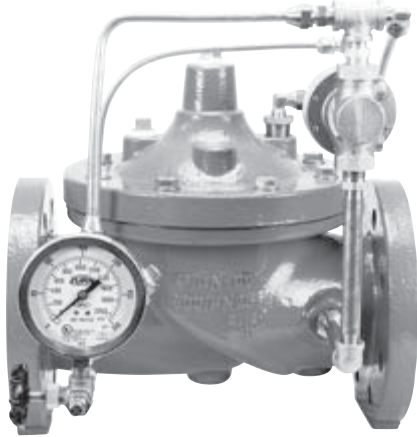
APPLICATIONS

When a Fire Protection System requires a reduction in pressure, the ZW209FP stands ready to perform.

TYPICAL INSTALLATION



ZW205FP SERIES – FIRE PROTECTION PRESSURE RELIEF VALVE



APPLICATIONS

Fire Protection Systems are susceptible to damage when pressure rises above 175 psi. Let the ZW205FP limit the pressure in your Fire Protection System.

FEATURES

- 2" - 10"
- Globe and angle bodies available
- Pressure rating: 150 Class flanged, 250 psi max; 300 Class flanged, grooved, or threaded 300 psi max
- Pilot spring ranges 50 to 200 psi (150 class); 150 to 300 psi (300 class)
- 140°F max
- Inlet pressure gauge, wye strainer, and epoxy coating come standard

APPROVALS AND APPLICABLE STANDARDS

- UL Listed, ULC Listed, and FM® Approved

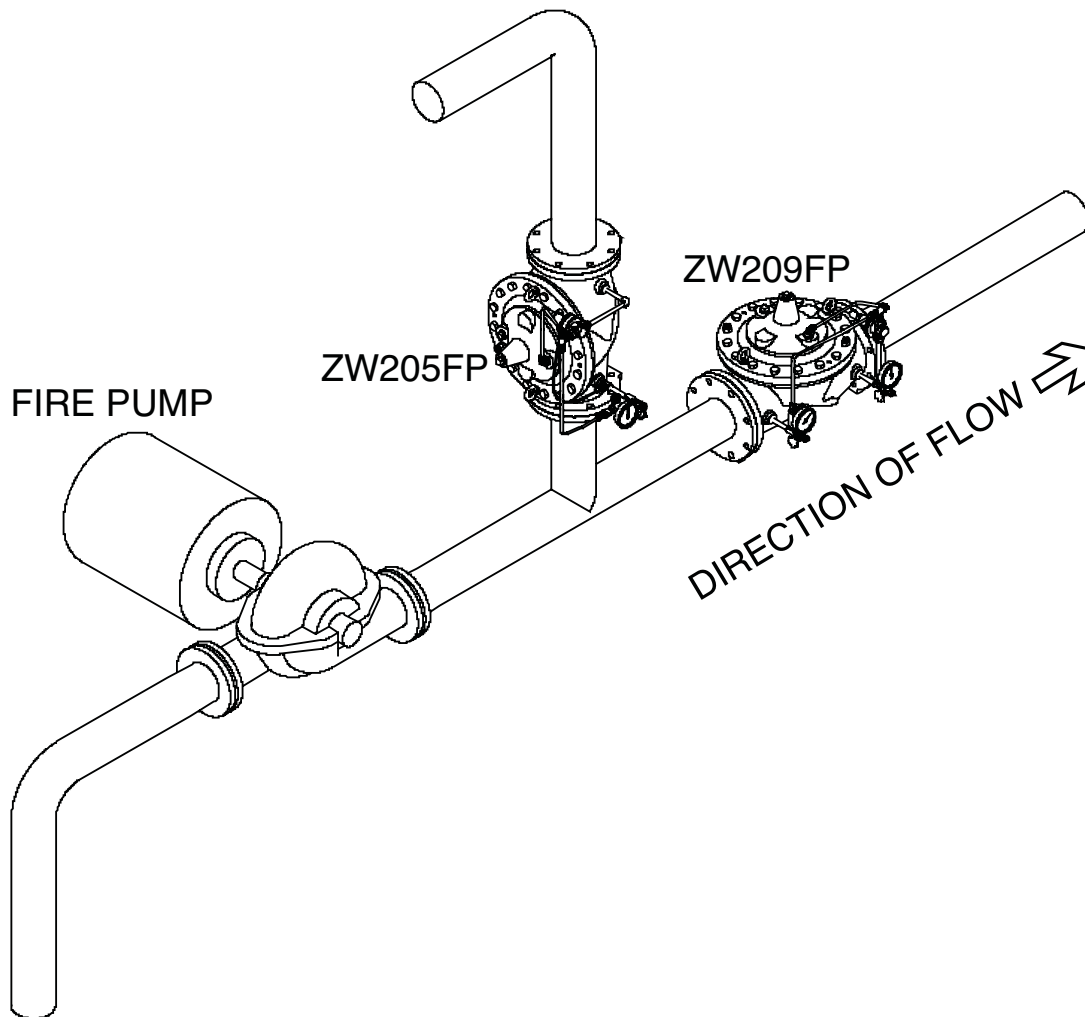
IMPORTANT

Completed order form required.

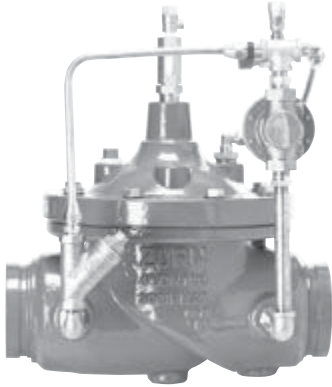
SIZE	LEAD-FREE PART NUMBER	LEAD-FREE LIST PRICE EA.
ZW205FP: FIRE PUMP RELIEF VALVE, CLASS 150, FLANGED X FLANGED		
2"	2-ZW205FP	3,463.00
2-1/2"	212-ZW205FP	4,235.00
3"	3-ZW205FP	4,468.00
4"	4-ZW205FP	6,136.00
6"	6-ZW205FP	8,290.00
8"	8-ZW205FP	13,098.00
10"	10-ZW205FP	18,660.00
ZW205FPY: FIRE PUMP RELIEF VALVE, CLASS 300, FLANGED X FLANGED		
2"	2-ZW205FPY	3,732.00
2-1/2"	212-ZW205FPY	4,450.00
3"	3-ZW205FPY	4,701.00
4"	4-ZW205FPY	6,388.00
6"	6-ZW205FPY	8,469.00
8"	8-ZW205FPY	13,515.00
10"	10-ZW205FPY	19,808.00

For threaded or grooved end connections and angle body pricing, use Class 150 valve pricing.

TYPICAL INSTALLATION



ZW215FP SERIES – FIRE PUMP SUCTION CONTROL VALVE



APPLICATIONS

The ZW215FP controls the suction pressure to a Fire Pump, preventing cavitation and potential backflow conditions.

FEATURES

- 2" - 10"
- Globe and angle bodies available
- Pressure rating: 150 Class flanged, 250 psi max; 300 Class flanged, grooved, or threaded 300 psi max
- Pilot Spring Range 10-30 psi
- 140°F max
- Wye strainer and epoxy coating come standard

APPROVALS AND APPLICABLE STANDARDS

- FM® Approved

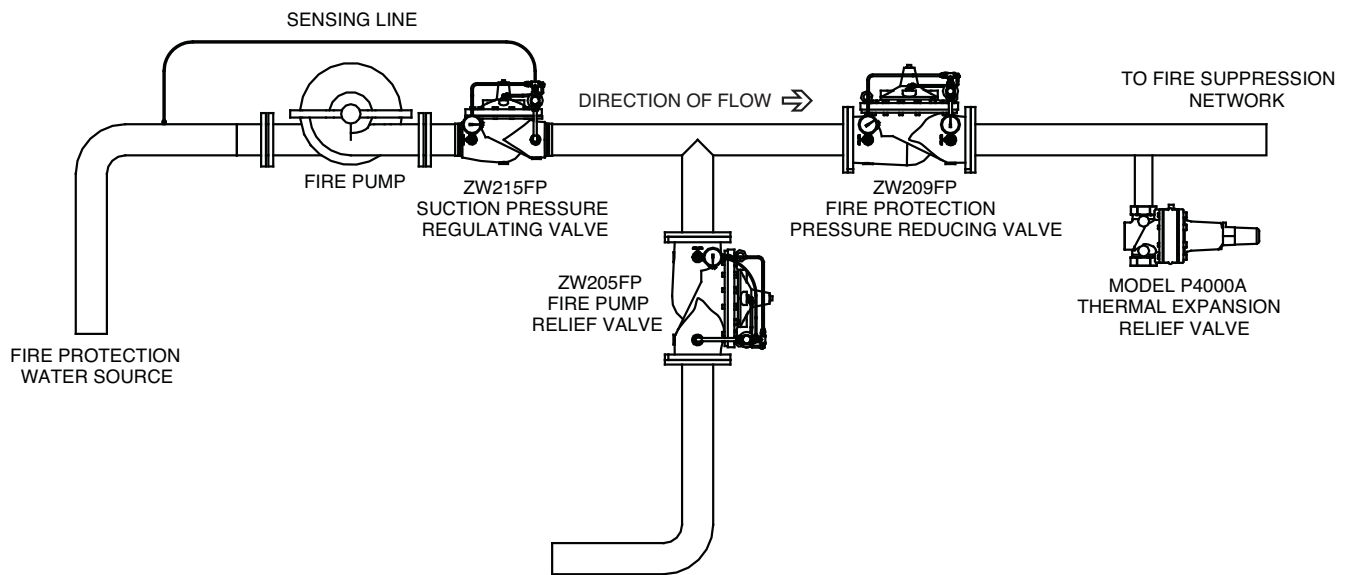
IMPORTANT

Completed order form required.

SIZE	LEAD-FREE PART NUMBER	LEAD-FREE LIST PRICE EA.
ZW215FP: FIRE PUMP SUCTION CONTROL VALVE, CLASS 150, FLANGED X FLANGED		
2"	2-ZW215FP	3,533.00
2-1/2"	212-ZW215FP	4,305.00
3"	3-ZW215FP	4,538.00
4"	4-ZW215FP	6,206.00
6"	6-ZW215FP	8,359.00
8"	8-ZW215FP	13,168.00
10"	10-ZW215FP	18,730.00
ZW215FPY: FIRE PUMP SUCTION CONTROL VALVE, CLASS 300, FLANGED X FLANGED		
2"	2-ZW215FPY	2,977.00
2-1/2"	212-ZW215FPY	4,502.00
3"	3-ZW215FPY	4,753.00
4"	4-ZW215FPY	6,440.00
6"	6-ZW215FPY	8,521.00
8"	8-ZW215FPY	13,567.00
10"	10-ZW215FPY	19,860.00

For threaded or grooved end connections and angle body pricing, use Class 150 valve pricing.

TYPICAL INSTALLATION



AUTOMATIC CONTROL VALVE OPTIONS AND ACCESSORIES

See main valve product specification sheets for details and available options.

SIZE	DESCRIPTION, INLET X OUTLET CONNECTIONS, OPTIONS	PURCHASED WITH VALVE		PURCHASED INDIVIDUALLY	
		PART NUMBER	LIST PRICE EA.	PART NUMBER	LIST PRICE EA.
1-1/4" - 3"	Threaded End Connections	TH Suffix	Same price as 150 – class flange price. Price for 1-1/4" Threaded is the same as 1-1/2".		-
1-1/4" - 16"	Grooved End Connections	G Suffix	Same price as 150 – class flange price		-
1-1/4" - 10"	Angle Body Valve	A Suffix	Same price as globe – 150 class flange price		-
3"	Reduced Port Body (3" body with 2" internals)	R Suffix	(237.00) –		-
4"	Reduced Port Body (4" body with 3" internals)	R Suffix	(979.00) –		-
6"	Reduced Port Body (6" body with 4" internals)	R Suffix	(2,384.00) –		-
8"	Reduced Port Body (8" body with 6" internals)	R Suffix	(4,350.00) –		-
10"	Reduced Port Body (10" body with 8" internals)	R Suffix	(5,120.00) –		-
1-1/4" - 16"	Check Valve with Isolation Valve	C Option	331.00 –		-
1-1/4" - 16"	Atmospheric Drain	F Option	No Charge –		-
1-1/4" - 16"	Liquid Filled Gauges	GL Option	137.00 –		-
1-1/4" - 16"	Pressure Sustaining Pilot	H Option	642.00 –		-
1-1/4" - 16"	Closing Speed Control	L Option	184.00 –		-
1-1/4" - 16"	Opening Speed Control	O Option	184.00 –		-
1-1/4" - 16"	Pilotry on Reverse Side	RV Option	No Charge –		-
1-1/4" - 16"	Stainless Steel Tubing and Flare Fittings	ST Option	764.00 –		-
1-1/4" - 16"	Stainless Braided Hoses	SH Option	No Charge –		-
1-1/4" - 16"	Stainless Pilotry; Pilot, Tubing, and Fittings	SP Option	POA –		-
1-1/4" - 16"	Independent Operating Pressure	W Option	No Charge –		-
1-1/4" - 2-1/2"	Viton Rubber Internals, 180 °F, Diaphragm, Seal Ring, O-rings, main valve and pilot	V Option	755.00 –		-
3"	Viton Rubber Internals, 180 °F, Diaphragm, Seal Ring, O-rings, main valve and pilot	V Option	1,106.00 –		-
4"	Viton Rubber Internals, 180 °F, Diaphragm, Seal Ring, O-rings, main valve and pilot	V Option	1,478.00 –		-
1-1/4" - 2-1/2"	Position Indicator (ZPI)	Z Option	305.00	114-212-ZPI	428.00
3"	Position Indicator (ZPI)	Z Option	427.00	3-ZPI	672.00
4"	Position Indicator (ZPI)	Z Option	427.00	4-ZPI	672.00
6"	Position Indicator (ZPI)	Z Option	391.00	6-ZPI	564.00
8" - 10"	Position Indicator (ZPI)	Z Option	668.00	8-10-ZPI	1052.00
12" - 16"	Position Indicator (ZPI)	Z Option	518.00	12-16-ZPI	867.00

For additional product information, please visit www.zurn.com.

AUTOMATIC CONTROL VALVE OPTIONS AND ACCESSORIES

See main valve product specification sheets for details and available options.

SIZE	DESCRIPTION, INLET X OUTLET CONNECTIONS, OPTIONS	PURCHASED WITH VALVE		PURCHASED INDIVIDUALLY	
		PART NUMBER	LIST PRICE EA.	PART NUMBER	LIST PRICE EA.
1-1/4" - 3"	Digital Position Indicator	Z3 Option	POA	114-3-ZPI3	POA
4" - 6"	Digital Position Indicator	Z3 Option	POA	4-6-ZPI3	POA
8" - 16"	Digital Position Indicator	Z3 Option	POA	8-16-ZPI3	POA
1-1/4" - 2-1/2"	Limit Switch - single switch that triggers when the valve is open	SO Option	1,670.00	114-212-SW1-0	1,518.00
3"	Limit Switch - single switch that triggers when the valve is open	SO Option	1,670.00	3-SW1-0	1,518.00
4" - 6"	Limit Switch - single switch that triggers when the valve is open	SO Option	1,670.00	4-6-SW1-0	1,518.00
8" - 12"	Limit Switch - single switch that triggers when the valve is open	SO Option	1,670.00	8-12-SW1-0	1,518.00
14" - 16"	Limit Switch - single switch that triggers when the valve is open	SO Option	1,670.00	14-16-SW1-0	1,518.00
1-1/4" - 2-1/2"	Limit Switch - single switch that triggers when the valve is closed	SC Option	1,670.00	114-212-SW1-C	1,518.00
3"	Limit Switch - single switch that triggers when the valve is closed	SC Option	1,670.00	3-SW1-C	1,518.00
4" - 6"	Limit Switch - single switch that triggers when the valve is closed	SC Option	1,670.00	4-6-SW1-C	1,518.00
8" - 10"	Limit Switch - single switch that triggers when the valve is closed	SC Option	1,670.00	8-10-SW1-C	1,518.00
12" - 16"	Limit Switch - single switch that triggers when the valve is closed	SC Option	1,670.00	12-16-SW1-C	1,518.00
1-1/4" - 2-1/2"	Limit Switch - dual switches one triggers open, one triggers closed	SD Option	3,135.00	114-212-SW2	2,850.00
3"	Limit Switch - dual switches one triggers open, one triggers closed	SD Option	3,135.00	3-SW2	2,850.00
4"	Limit Switch - dual switches one triggers open, one triggers closed	SD Option	3,135.00	4-SW2	2,850.00
6"	Limit Switch - dual switches one triggers open, one triggers closed	SD Option	3,135.00	6-SW2	2,850.00
8" - 10"	Limit Switch - dual switches one triggers open, one triggers closed	SD Option	3,135.00	8-10-SW2	2,850.00
12" - 16"	Limit Switch - dual switches one triggers open, one triggers closed	SD Option	3,135.00	12-16-SW2	2,850.00
1-1/4" - 6"	Pressure Gauge, 2-1/2" Dial, 0 - 300psi, 1/8" MNPT	-	-	2006-25BP-300	24.00
1-1/4" - 4"	Pressure Gauge, 2-1/2" Dial, 0 - 300psi, 1/4" MNPT	-	-	2004-25-300	75.00
6" - 16"	Pressure Gauge, 3 1/2" Dial, 0 - 300psi, 1/4" MNPT	-	-	2010-25-300	91.00
1-1/4" - 10"	Pressure Gauge, UL/FM Listed, 3 1/2" Dial, 0 - 300psi, 1/4" MNPT	-	-	2005-25UL	240.00
1-1/4" - 6"	Pressure Gauge, Liquid Filled, 2-1/2" Dial, 0 - 300psi, 1/8" MNPT	-	-	2006-25LBP-300	163.00
1-1/4" - 16"	Pressure Gauge, Liquid Filled, 2-1/2" Dial, 0 - 300psi, 1/4" MNPT	-	-	2004-25L-300	281.00
1-1/4" - 10"	Pilot ZW209 Pressure Reducing, 15-150psi, 1/2" FNPT	-	-	12-NR3XLHRSCDULU	190.00
1-1/4" - 16"	Pilot ZW209 Pressure Reducing, 15-150psi, 3/8" FNPT	-	-	38-PRXL	203.00
1-1/4" - 6"	Pilot ZW209HP Pressure Reducing, 30-300psi, 3/8" FNPT	-	-	38-PV-PRD-300	274.00
8" - 16"	Pilot ZW209HP Pressure Reducing, 30-300psi, 1/2" FNPT	-	-	12-PV-PRD-300	533.00
1-1/4" - 6"	Pilot ZW209FP Pressure Reducing, 50-175psi, 3/8" FNPT	-	-	38-PV-PRD-175	298.00
8" - 10"	Pilot ZW209FP Pressure Reducing, 50-175psi, 1/2" FNPT	-	-	12-PV-PRD-175	397.00
1-1/4" - 16"	Pilot ZW205/205FP Relief Valve, 50-200psi, 1/2" FNPT	-	-	12-PV-RLF-200	495.00
1-1/4" - 16"	Pilot ZW205/205FP Relief Valve, 150-300psi, 1/2" FNPT	-	-	12-PV-RLF-300	626.00
1-1/4" - 16"	Pilot ZW204 Float Valve, 1/8" FNPT	-	-	PV-FNM	780.00
1-1/4" - 16"	Pilot ZW206 Solenoid Valve, 3-Way NO or NC and 24VAC or 120VAC	-	-	PV-SOL3-XX	504.00
1-1/4" - 16"	Pilot ZW206 Solenoid Valve, 3-Way NO or NC and 24VAC or 120VAC with Manual Operator	-	-	PV-SOL3-XXM	685.00

BACKFLOW PREVENTERS

BACKFLOW PREVENTERS ACCESSORIES

STRAINERS

AUTOMATIC CONTROL VALVES

PRESSURE REDUCING VALVES

FIRE PROTECTION VALVES

THERMOSTATIC MIXING VALVES

RELIEF VALVES

MISCELLANEOUS PLUMBING PRODUCTS

REPAIR KITS

PRESSURE REDUCING VALVES

Zurn Wilkins is synonymous with quality in the water pressure reducing valves industry. When you purchase, specify, or install a Zurn Wilkins pressure reducing valve you are selecting the most reliable regulator in the industry.

NR3XL SERIES – PRESSURE REDUCING VALVE	80
70XL SERIES – PRESSURE REDUCING VALVE	81
500XL SERIES – PRESSURE REDUCING VALVE	82
500XLYSBR SERIES – PRESSURE REDUCING VALVE	82
510XL SERIES – OPTION FOR 500XL	82
500XLFC SERIES – PRESSURE REDUCING VALVE	83
510XLFC SERIES – OPTION FOR 500XLFC	83
600XL SERIES – PRESSURE REDUCING VALVE	84
610XL SERIES – OPTION FOR 600XL	84
625XL SERIES – OPTION FOR 600XL	84
WATER PRESSURE REDUCING VALVE ACCESSORIES	86
TPKXL SERIES – TAILPIECE KITS	86
25 SERIES – PRESSURE GAUGES	87

NR3XL SERIES – PRESSURE REDUCING VALVE



APPLICATIONS

With its corrosion resistant plastic cartridge and ease of repair, the NR3XL is the perfect Pressure Reducing Valve for residential applications.

FEATURES

- 1/2" - 2"
- Pressure rated 400 psi (1/2" - 1-1/4"), 300 psi (1-1/2", 2")
- Spring range 15 to 75 psi (1/2" - 1-1/4"), 25 to 75 psi (1-1/2", 2")
- Factory set at 50 psi
- 140°F max
- Replaceable acetal cartridge with integral stainless steel strainer
- Short lay length makes for easy retrofit

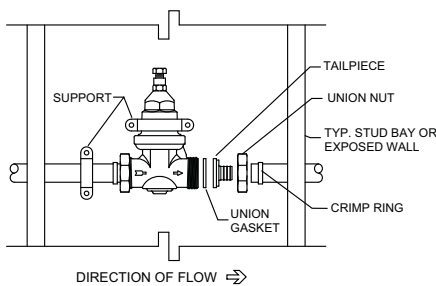
APPROVALS AND APPLICABLE SPECIFICATIONS

- ASSE® Listed 1003, IAPMO® Listed, CSA® Certified
- Certified to NSF/ANSI 61 and 372

ACCESSORIES

- Special plastic spacer nipple for use with 1/2", 3/4" and 1-1/4" NR3XL double union regulators (Model NR3XLDUSPC)
- Special spacer nipple for use with 1" NR3XL double union regulators (Model 70XLDUSPC)
- Thermal expansion tank (Model XT)

TYPICAL INSTALLATION



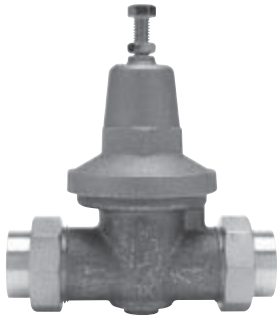
For Installation Drawing Please See Page Number 82

SIZE	LEAD-FREE PART NUMBER	LEAD-FREE LIST PRICE EA.
NR3XL: FNPT UNION X FNPT		
1/2"	12-NR3XL	186.00
3/4"	34-NR3XL	187.00
1"	1-NR3XL	244.00
1-1/4"	114-NR3XL	600.00
1-1/2"	112-NR3XL	917.00
2"	2-NR3XL	1,121.00
NR3XLDU: DOUBLE UNION FNPT		
1/2"	12-NR3XLDU	199.00
3/4"	34-NR3XLDU	202.00
1"	1-NR3XLDU	262.00
1-1/4"	114-NR3XLDU	673.00
1-1/2"	112-NR3XLDU	1,044.00
2"	2-NR3XLDU	1,294.00
NR3XLDUL: FNPT X FNPT, LESS UNION NUT & TAILPIECE		
1/2"	12-NR3XLDUL	171.00
3/4"	34-NR3XLDUL	172.00
1"	1-NR3XLDUL	224.00
1-1/4"	114-NR3XLDUL	534.00
1-1/2"	112-NR3XLDUL	793.00
2"	2-NR3XLDUL	951.00
NR3XLC: FEMALE CU SWT UNION X FNPT		
1/2"	12-NR3XLC	188.00
3/4"	34-NR3XLC	188.00
1"	1-NR3XLC	243.00
1-1/4"	114-NR3XLC	600.00
1-1/2"	112-NR3XLC	940.00
2"	2-NR3XLC	1,274.00
NR3XLDUC: DOUBLE UNION FEMALE CU SWT		
1/2"	12-NR3XLDUC	202.00
3/4"	34-NR3XLDUC	202.00
1"	1-NR3XLDUC	261.00
1-1/4"	114-NR3XLDUC	674.00
1-1/2"	112-NR3XLDUC	1,089.00
2"	2-NR3XLDUC	1,486.00
NR3XLCPCV: CPVC UNION X FNPT		
3/4"	34-NR3XLCPCV	188.00
1"	1-NR3XLCPCV	244.00
NR3XLDUCPCV: DOUBLE UNION CPVC		
3/4"	34-NR3XLDUCPCV	236.00
1"	1-NR3XLDUCPCV	288.00
NR3XLDUCCPCV: FEMALE CU SWT UNION X CPVC UNION		
3/4"	34-NR3XLDUCCPCV	236.00
1"	1-NR3XLDUCCPCV	288.00
NR3XLPEX: PEX UNION X FNPT		
3/4"	34-NR3XLPEX	188.00
1"	1-NR3XLPEX	266.00
NR3XLF1960: EXPANSION PEX UNION X FNPT		
3/4"	34-NR3XLF1960	188.00
1"	1-NR3XLF1960	266.00
NR3XLDUPEX: DOUBLE UNION PEX		
3/4"	34-NR3XLDUPEX	203.00
1"	1-NR3XLDUPEX	288.00
NR3XLDUPEXF1960: DOUBLE UNION EXPANSION PEX		
3/4"	34-NR3XLDUPEXF1960	203.00
1"	1-NR3XLDUPEXF1960	288.00
NR3XLDUCPEX: FEMALE CU SWT UNION X PEX UNION		
3/4"	34-NR3XLDUCPEX	203.00
1"	1-NR3XLDUCPEX	275.00
NR3XLDM: DOUBLE MALE METER THD		
3/4"	34-NR3XLDM	213.00
1"	1-NR3XLDM	288.00
NR3XLHRSCDUBPK: BY-PASS KIT FOR 500FCBP, HRSC OPTION, DOUBLE UNION FNPT, STREET ELBOWS		
3/4"	34-NR3XLHRSCDUBPK	395.00

OPTIONS AND LIST PRICE ADDERS:

PLUG (P) OPTION: TAPPED AND PLUGGED (E.G. 34-NR3P, 2-NR3XLP)	
1/2" - 2"	25.00
GAUGE (G) OPTION: TAPPED AND PLUGGED WITH GAUGE	
1/2" - 2"	43.00
SEALED CAGE (SC) OPTION WITH SS ADJ SCREW. FOR BELOW GRADE AND METER BOX APPLICATIONS (E.G. 34-NR3XLSC)	
1/2"	18.00
3/4"	19.00
1"	23.00
1-1/4"	43.00
1-1/2"	65.00
2"	105.00
HIGH RANGE / SEALED CAGE (HRSC) OPTION WITH SS ADJ SCREW: 15-150PSI, SET TO 50 PSI (E.G. NR3XLHRSC)	
1/2"	30.00
3/4"	30.00
1"	32.00
1-1/4"	74.00
EXPANSION CONTROL (EC) OPTION: 100 PSI RELIEF VALVE FOR THERMAL EXPANSION CONTROL (E.G. 34-NR3XLEC)	
1/2" - 1"	73.00
NR3XL SERIES SPACERS	
FNPT X FNPT, NR3XL SERIES SPACER KIT	
3/4"	SPK34-NR3 68.00
1-1/4"	SPK114-NR3 123.00
1-1/2"	SPK112-NR3 229.00
2"	SPK2-NR3 306.00
FEMALE CU SWT X FEMALE CU SWT, NR3XL SERIES SPACER KIT	
3/4"	SPK34-NR3C 68.00
1-1/4"	SPK114-NR3C 124.00
1-1/2"	SPK112-NR3C 218.00
2"	SPK2-NR3C 443.00
CPVC X CPVC, NR3XL SERIES SPACER KIT	
3/4"	SPK34-NR3CPVC 63.00

70XL SERIES – PRESSURE REDUCING VALVE



APPLICATIONS

The model 70XL has been providing residential and commercial customers with ruggedness and ease of repair for over 40 years.

FEATURES

- 3/4" - 1"
- 300 psi max
- Spring range 25 to 75 psi; factory set at 50 psi
- 140°F max
- All bronze body and bell housing provides durability and long life
- Corrosion-resistant, replaceable cartridge with integral stainless steel strainer

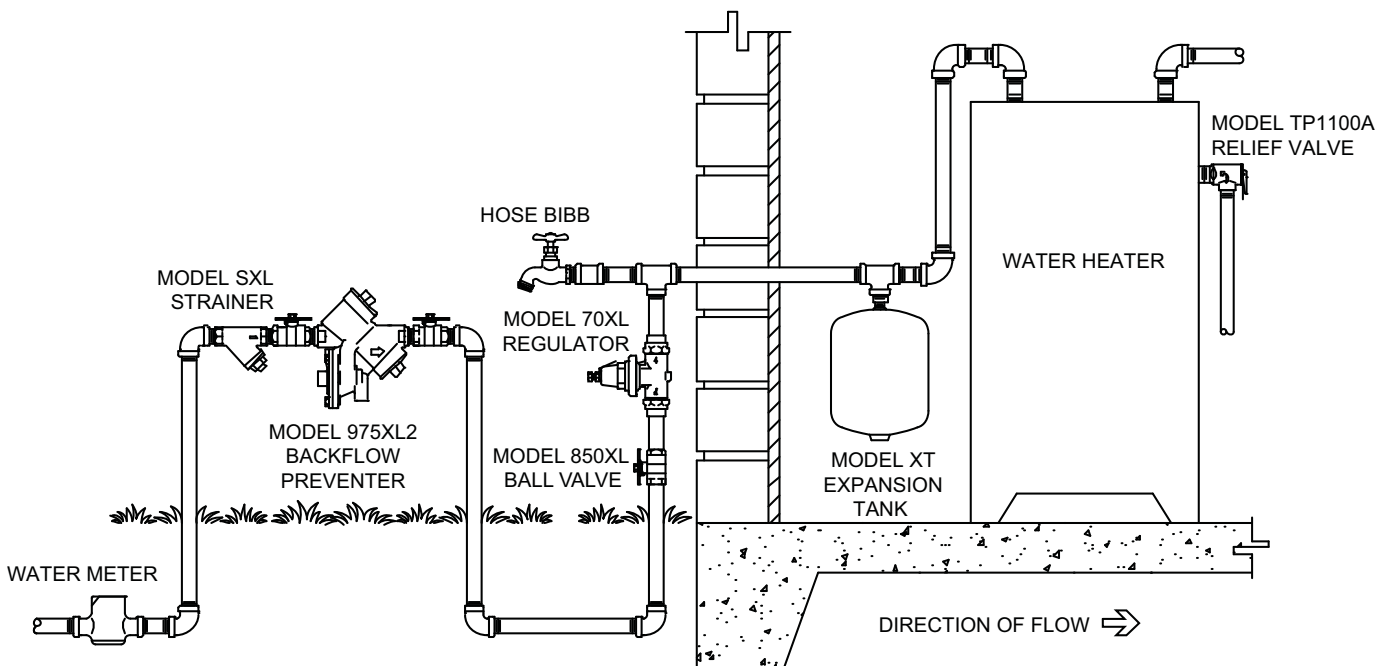
APPROVALS AND APPLICABLE SPECIFICATIONS

- ASSE® Listed 1003, IAPMO® Listed, CSA® Certified, City of Los Angeles Approved
- Certified to NSF/ANSI 61 and 372

ACCESSORIES

- Special plastic spacer nipple for use with 70XL series double union regulators (Model 70XLDUSPC)
- Thermal expansion tank (Model XT)

TYPICAL INSTALLATION



SIZE	LEAD-FREE PART NUMBER	LEAD-FREE LIST PRICE EA.
70XL: FNPT UNION X FNPT		
3/4"	34-70XL	241.00
1"	1-70XL	334.00
70XLDU: DOUBLE UNION FNPT		
3/4"	34-70XLDU	280.00
1"	1-70XLDU	368.00
70XLDULU: DOUBLE UNION, LESS UNION NUT & TAILPIECE		
3/4"	34-70XLDULU	230.00
1"	1-70XLDULU	315.00
70XLC: FEMALE CU SWT UNION X FNPT		
3/4"	34-70XLC	241.00
1"	1-70XLC	333.00
70XLDUC: DOUBLE UNION FEMALE CU SWT		
3/4"	34-70XLDUC	280.00
1"	1-70XLDUC	366.00
70XLCPCV: CPVC UNION X FNPT		
3/4"	34-70XLCPCV	241.00
1"	1-70XLCPCV	334.00
70XLPEX: PEX UNION X FNPT		
3/4"	34-70XLPEX	241.00
1"	1-70XLPEX	334.00
70XLDUCPVC: DOUBLE UNION CPVC		
3/4"	34-70XLDUCPVC	280.00
1"	1-70XLDUCPVC	368.00
70XLDUPEX: DOUBLE UNION PEX		
3/4"	34-70XLDUPEX	280.00
1"	1-70XLDUPEX	366.00
70XLDM: DOUBLE MALE METER THREADS		
3/4"	34-70XLDM	271.00

OPTIONS AND LIST PRICE ADDERS:

PLUG (P) OPTION: TAPPED AND PLUGGED (E.G. 34-70XLP)	
3/4" - 1"	26.00
GAUGE (G) OPTION: TAPPED AND PLUGGED WITH GAUGE	
3/4" - 1"	43.00
SEALED CAGE (SC) OPTION WITH SS ADJ. SCREW. FOR BELOW GRADE AND METER BOX APPLICATIONS (E.G. 34-70XLSC)	
3/4"	19.00
1"	23.00
70XL SERIES SPACERS	
FNPT X FNPT, 70XL SERIES SPACER KIT	
3/4"	SPK34-70 45.00
1"	SPK1-70 62.00
FEMALE CU SWT X FEMALE CU SWT, 70XL SERIES SPACER KIT	
3/4"	SPK34-70C 45.00
1"	SPK1-70C 63.00
MALE CU SWT X MALE CU SWT, 70XL SERIES SPACER KIT	
1"	SPK1-70CM 101.00
FEMALE CU SWT X MALE CU SWT, 70XL SERIES SPACER KIT	
1"	SPK1-70CXM 79.00
SPACER ONLY, 70XL SERIES	
3/4"	34-70DUSPC 31.00
1"	1-70DUSPC 42.00

500XL SERIES – PRESSURE REDUCING VALVE



APPLICATIONS

High flow rates and low fall-off are the hallmark of the 500XL series. Perfect for your commercial or industrial pressure reduction applications.

FEATURES

- 1/2" - 3"
- 300 psi max
- Spring range 25 to 75 psi
- 140°F max
- All bronze body and bell housing provides durability and long life
- All internal parts corrosion-resistant

APPROVALS AND APPLICABLE SPECIFICATIONS

- ASSE® Listed 1003 (1/2"-2-1/2"), IAPMO® Listed (1/2"-2"), CSA® Certified (1/2"-2"), City of Los Angeles (1/2"-3")
- Certified to NSF/ANSI 61 and 372

ACCESSORIES

- Thermal expansion tank (Model XT)
- Model 500XLYSBR available with strainer attached

SIZE	LEAD-FREE PART NUMBER	LEAD-FREE LIST PRICE EA.
500XL: FNPT UNION X FNPT		
1/2"	12-500XL	365.00
3/4"	34-500XL	368.00
1"	1-500XL	486.00
1-1/4"	114-500XL	974.00
1-1/2"	112-500XL	1,549.00
2"	2-500XL	1,818.00
500XL: FNPT X FNPT		
2-1/2"	212-500XL	3,197.00
3"	3-500XL	4,101.00
500XLC: FEMALE CU SWT UNION X FNPT		
1/2"	12-500XLC	369.00
3/4"	34-500XLC	372.00
1"	1-500XLC	491.00
1-1/4"	114-500XLC	984.00
1-1/2"	112-500XLC	1,565.00
2"	2-500XLC	1,837.00
500XLCpVC: CPVC UNION X FNPT		
3/4"	34-500XLCpVC	372.00
1"	1-500XLCpVC	491.00

500XLYSBR SERIES – PRESSURE REDUCING VALVE

SIZE	LEAD-FREE PART NUMBER	LEAD-FREE LIST PRICE EA.
500XLYSBR: FNPT X FNPT, IN-LINE BRONZE "Y" TYPE STRAINER		
1/2"	12-500XLYSBR	440.00
3/4"	34-500XLYSBR	478.00
1"	1-500XLYSBR	614.00
1-1/4"	114-500XLYSBR	1,161.00
1-1/2"	112-500XLYSBR	1,804.00
2"	2-500XLYSBR	2,191.00
2-1/2"	212-500XLYSBR	3,924.00
3"	3-500XLYSBR	5,229.00

See 500XL for Options and List Price adders.

510XL SERIES – OPTION FOR 500XL

SIZE	LEAD-FREE PART NUMBER	LEAD-FREE LIST PRICE EA.
510XL: FNPT UNION X FNPT (BUILT-IN BY-PASS 1/2" - 2", SIZES 2-1/2" & 3" LESS UNION). 400 PSI MAX, SPRING RANGE 75-125 PSI. SET TO 85 PSI, 2-1/2" - 3" FIELD SET.		
1/2"	12-510XL	391.00
3/4"	34-510XL	394.00
1"	1-510XL	520.00
1-1/4"	114-510XL	1,042.00
1-1/2"	112-510XL	1,657.00
2"	2-510XL	1,946.00
2-1/2"	212-510XL	3,421.00
3"	3-510XL	4,388.00

510XLC: FEMALE CU SWT UNION X FNPT		
1/2"	12-510XLC	395.00
3/4"	34-510XLC	398.00
1"	1-510XLC	525.00
1-1/4"	114-510XLC	1,052.00
1-1/2"	112-510XLC	1,673.00
2"	2-510XLC	1,964.00

510XLYSBR: FNPT X FNPT, IN-LINE BRONZE "Y" TYPE STRAINER. 400 PSI MAX, SPRING RANGE 75-125 PSI. SET TO 85 PSI, 2-1/2"-3" FIELD SET.		
1/2"	12-510XLYSBR	515.00
3/4"	34-510XLYSBR	550.00
1"	1-510XLYSBR	743.00
1-1/4"	114-510XLYSBR	1,285.00
1-1/2"	112-510XLYSBR	1,942.00
2"	2-510XLYSBR	2,315.00
2-1/2"	212-510XLYSBR	4,057.00
3"	3-510XLYSBR	5,572.00

See Model 500XL for Options and List Price adders.

OPTIONS AND LIST PRICE ADDERS:

PLUG (P) OPTION: TAPPED AND PLUGGED (E.G. 34-500XLP)	
1/2" - 3"	26.00
GAUGE (G) OPTION: TAPPED AND PLUGGED WITH GAUGE (E.G. 34-500XLG)	
1/2" - 3"	43.00
HIGH RANGE PRESSURE (HR) OPTION: 75-125 PSI, SET 85 PSI (E.G. 34-500XLRH)	
1/2"	26.00
3/4"	26.00
1"	35.00
1-1/4"	69.00
1-1/2"	109.00
2"	128.00
2-1/2"	225.00
3"	288.00
HIGH- LOW RANGE PRESSURE RANGE (HLR) OPTION: 10-125 PSI, SET 50 PSI (E.G. 34-500XHLR)	
1/2"	37.00
3/4"	38.00
1"	49.00
1-1/4"	98.00
1-1/2"	156.00
2"	182.00
2-1/2"	320.00
3"	411.00
LOW RANGE PRESSURE RANGE (LPC) OPTION: 10-35 PSI, SET 20 PSI (E.G. 34-500XLLPC)	
1/2"	24.00
3/4"	25.00
1"	33.00
1-1/4"	64.00
1-1/2"	101.00
2"	119.00
2-1/2"	209.00
3"	267.00
SEALED CAGE (SC) OPTION WITH SS ADJ SCREW. FOR BELOW GRADE AND METER BOX APPLICATIONS (E.G. 34-500XLS)	
1/2"	19.00
3/4"	19.00
1"	25.00
1-1/4"	49.00
1-1/2"	78.00
2"	92.00
2-1/2"	161.00
3"	206.00
HOT WATER SERVICE (HTSTSC) OPTION: HIGH TEMP 180 °F (E.G. 34-500XLHTSTSC)	
1/2"	74.00
3/4"	74.00
1"	98.00
1-1/4"	196.00
1-1/2"	310.00
2"	364.00
2-1/2"	640.00
3"	821.00
LOW RANGE PRESSURE AND HOT WATER SERVICE (LPV) OPTION: 10-35 PSI, SET 20 PSI, HIGH TEMP 180 °F (E.G. 34-500XLLPV)	
1/2"	98.00
3/4"	98.00
1"	129.00
1-1/4"	259.00
1-1/2"	411.00
2"	483.00
2-1/2"	848.00
3"	1,087.00

500XL SERIES – PRESSURE REDUCING VALVE

OPTIONS AND LIST PRICE ADDERS:	
CHROME INTERNALS (SW) OPTION FOR SALT WATER (E.G. 34-500XLSW)	
1/2"	52.00
3/4"	52.00
1"	69.00
1-1/4"	137.00
1-1/2"	218.00
2"	255.00
2-1/2"	448.00
3"	575.00
LOW RANGE PRESSURE CHROME (LPCH) OPTION: 10-35 PSI, SET 20 PSI, CHROME INTERNALS (E.G. 34-500XLLPCH)	
1/2"	56.00
3/4"	56.00
1"	74.00
1-1/4"	147.00
1-1/2"	233.00
2"	273.00
2-1/2"	480.00
3"	616.00
LESS INTERNAL BY-PASS (L) OPTION (E.G. 34-500XLL)	
1/2"	19.00
3/4"	19.00
1"	25.00
1-1/4"	49.00
1-1/2"	78.00
2"	92.00

500XLCF SERIES – PRESSURE REDUCING VALVE

SIZE	LEAD-FREE PART NUMBER	LEAD-FREE LIST PRICE EA.
500XLCF: CLASS 125# FLANGED X FLANGED, FIELD SET. 300 PSI MAX, SPRING RANGE 25-75 PSI.		
2"	2-500XLCF	4,667.00
2-1/2"	212-500XLCF	4,744.00
3"	3-500XLCF	5,917.00

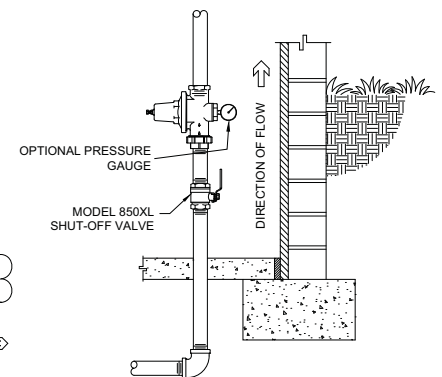
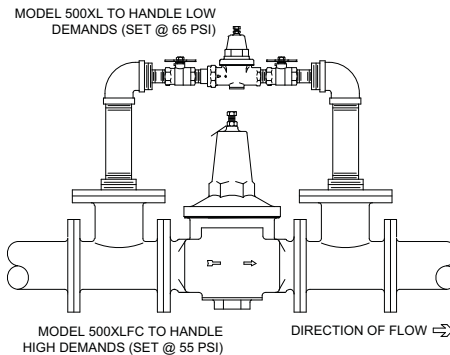
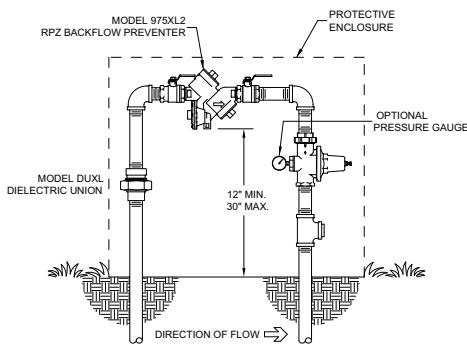
510XLCF SERIES – OPTION FOR 500XLCF

SIZE	LEAD-FREE PART NUMBER	LEAD-FREE LIST PRICE EA.
510XLCF: CLASS 125# FLANGED X FLANGED. 400 PSI MAX, SPRING RANGE 75-125 PSI. FIELD SET.		
2"	2-510XLCF	4,820.00
2-1/2"	212-510XLCF	4,849.00
3"	3-510XLCF	6,105.00

See 500XL for Options and List Price adders.

OPTIONS AND LIST PRICE ADDERS:	
PLUG FOR GAUGE (P) OPTION: TAPPED AND PLUGGED (E.G. 3-500XLFCP)	
2" - 3"	26.00
GAUGE (G) OPTION: TAPPED AND PLUGGED WITH GAUGE (E.G. 3-500XLFCG)	
2" - 3"	43.00
PLUGGED PORTS FOR LOW FLOW BY-PASS (BP) OPTION (E.G. 3-500XLFCBP)	
2" - 3"	186.00
HIGH RANGE PRESSURE (HR) OPTION: 75-125 PSI, FIELD SET (E.G. 3-500XLFCR)	
2"	299.00
2-1/2"	304.00
3"	380.00
HIGH-LOW RANGE PRESSURE (HLR) OPTION: 10-125 PSI, FIELD SET (E.G. 3-500XLFCHLR)	
2"	426.00
2-1/2"	433.00
3"	539.00
LOW RANGE PRESSURE (LPC) OPTION: 10-35 PSI, SET 20 PSI (E.G. 3-500XLFCCLPC)	
2"	369.00
2-1/2"	375.00
3"	468.00
SEALED CAGE (SC) OPTION: FOR BELOW GRADE AND METER BOX APPLICATIONS (E.G. 3-500XLFCSC)	
2"	206.00
2-1/2"	209.00
3"	261.00
HOT WATER SERVICE (HTSTSC) OPTION: HIGH TEMP 180 °F (E.G. 3-500XLFCSTSTSC)	
2"	364.00
2-1/2"	640.00
3"	821.00
LOW RANGE PRESSURE AND HOT WATER SERVICE (LPV) OPTION: 10-35 PSI, SET 20 PSI, HI TEMP 180 °F (E.G. 3-500XLFCCLPV)	
2"	733.00
2-1/2"	1,015.00
3"	1,288.00
FSC STRAINER (FSC) OPTION WITH BOLT KIT, FLANGED X FLANGED CONNECTION (E.G. 3-500XLFCFSC)	
2-1/2"	528.00
3"	614.00
CHROME INTERNALS (SW) OPTION: FLANGED X FLANGED, CHROME INTERNALS FOR SALT WATER (E.G. 3-500XLFCSW)	
2"	393.00
2-1/2"	399.00
3"	498.00

TYPICAL INSTALLATION



For additional product information, please visit www.zurn.com.

BACKFLOW PREVENTERS
ACCESSORIES
STRAINERS
AUTOMATIC CONTROL VALVES
PRESSURE REDUCING VALVES
FIRE PROTECTION VALVES
THERMOSTATIC MIXING VALVES
RELIEF VALVES
MISCELLANEOUS PLUMBING PRODUCTS
REPAIR KITS

600XL SERIES – PRESSURE REDUCING VALVE



APPLICATIONS

Sandy, debris laden water systems result in frequent PRV strainer cleanings. The 600XL, with its separate strainer cap allows this task to be completed very rapidly.

FEATURES

- 1/2" - 2"
- Spring range 25 to 75 psi
- 300 psi max
- 140°F max
- All bronze body and bell housing provides durability and long life
- Integral stainless steel strainer with separate access cover

APPROVALS AND APPLICABLE SPECIFICATIONS

- ASSE® Listed 1003, IAPMO® Listed, CSA® Certified, City of Los Angeles
- Certified to NSF/ANSI 61 and 372

ACCESSORIES

- Pressure gauges (Model 92-25A: 1/2", 3/4") (Model 92-25: 1" - 2")
- Thermal expansion tank (Model XT)

SIZE	LEAD-FREE PART NUMBER	LEAD-FREE LIST PRICE EA.
600XL: FNPT UNION X FNPT		
1/2"	12-600XL	286.00
3/4"	34-600XL	287.00
1"	1-600XL	385.00
1-1/4"	114-600XL	754.00
1-1/2"	112-600XL	1,147.00
2"	2-600XL	1,461.00
600XLC: FEMALE CU SWT UNION X FNPT		
1/2"	12-600XLC	286.00
3/4"	34-600XLC	287.00
1"	1-600XLC	385.00
1-1/4"	114-600XLC	754.00
1-1/2"	112-600XLC	1,147.00
2"	2-600XLC	1,461.00
600XLCPCV: CPVC UNION X FNPT		
3/4"	34-600XLCPCV	287.00
1"	1-600XLCPCV	385.00
600XLDM: DOUBLE MALE METER THREADS		
3/4"	34-600XLDM	355.00
1"	1-600XLDM	478.00
600XLLU: FNPT X FNPT, LESS UNION & TAILPIECE		
See NR3XL for other Less Union options		
1/2"	12-600XLLU	277.00
3/4"	34-600XLLU	279.00
1"	1-600XLLU	381.00

610XL SERIES – OPTION FOR 600XL

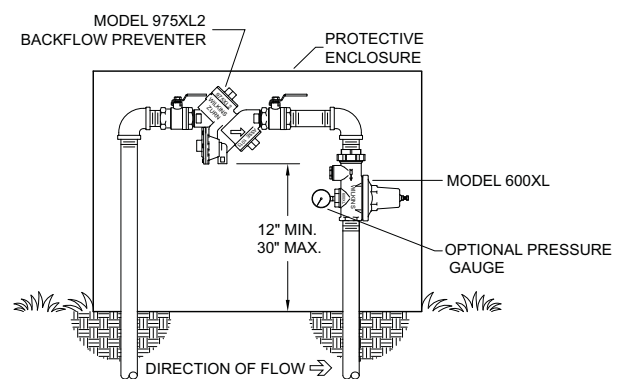
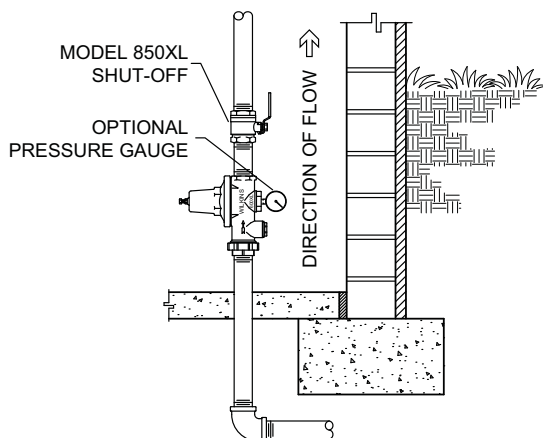
SIZE	LEAD-FREE PART NUMBER	LEAD-FREE LIST PRICE EA.
610XL: FNPT UNION X FNPT		
1/2"	12-610XL	326.00
3/4"	34-610XL	327.00
1"	1-610XL	467.00
1-1/4"	114-610XL	820.00
1-1/2"	112-610XL	1,206.00
2"	2-610XL	1,499.00
610XLC: FEMALE CU SWT UNION X FNPT		
1/2"	12-610XLC	326.00
3/4"	34-610XLC	327.00
1"	1-610XLC	467.00
1-1/4"	114-610XLC	820.00
1-1/2"	112-610XLC	1,206.00
2"	2-610XLC	1,499.00

See 600XL for Options and List Price adders.

625XL SERIES – OPTION FOR 600XL

SIZE	LEAD-FREE PART NUMBER	LEAD-FREE LIST PRICE EA.
625XLSULU: FNPT UNION X UNION CONNECTION, LESS TAILPIECE AND UNION NUT		
3/4"	34-625XLSULU	NEW 276.00
1"	1-625XLSULU	NEW 374.00
625XL: FNPT UNION X FNPT		
3/4"	34-625XL	NEW 287.00
1"	1-625XL	NEW 385.00
625XLC: FEMALE CU SWT UNION X FNPT		
3/4"	34-625XLC	NEW 287.00
1"	1-625XLC	NEW 385.00

TYPICAL INSTALLATION



600XL SERIES – PRESSURE REDUCING VALVE

OPTIONS AND LIST PRICE ADDERS:	
PLUG (P) OPTION: TAPPED AND PLUGGED (E.G. 2-600XLP)	
1/2" - 2"	26.00
GAUGE (G) OPTION: TAPPED AND PLUGGED WITH GAUGE (E.G. 2-600XLG)	
1/2" - 2"	43.00
HIGH RANGE PRESSURE (HR) OPTION: 75-125 PSI, SET 85 PSI (E.G. 2-600XKHR)	
1/2"	26.00
3/4"	26.00
1"	35.00
1-1/4"	69.00
1-1/2"	109.00
2"	128.00
HIGH-LOW RANGE PRESSURE (HLR) OPTION: 10-125 PSI, SET 50 PSI (E.G. 2-600XHLR)	
1/2"	37.00
3/4"	38.00
1"	49.00
1-1/4"	98.00
1-1/2"	156.00
2"	182.00
LOW RANGE PRESSURE (LPC) OPTION: 10-35 PSI, SET 20 PSI (E.G. 2-600XLLPC)	
1/2"	24.00
3/4"	25.00
1"	33.00
1-1/4"	64.00
1-1/2"	101.00
2"	119.00

SEALED CAGE (SC) OPTION WITH SS ADJ SCREW. FOR BELOW GRADE AND METER BOX APPLICATIONS (E.G. 2-600XLSC)	
1/2"	19.00
3/4"	19.00
1"	25.00
1-1/4"	49.00
1-1/2"	78.00
2"	92.00
HOT WATER SERVICE (HTSTSC) OPTION: HIGH TEMP 180 °F (E.G. 2-600XLHTSTSC)	
1/2"	74.00
3/4"	74.00
1"	98.00
1-1/4"	196.00
1-1/2"	310.00
2"	364.00
LOW RANGE PRESSURE AND HOT WATER SERVICE (LPV) OPTION: 10-35 PSI, SET 20 PSI, HIGH TEMP 180 °F (E.G. 2-600XLLPV)	
1/2"	98.00
3/4"	98.00
1"	129.00
1-1/4"	259.00
1-1/2"	411.00
2"	483.00

CHROME INTERNALS (CH) OPTION (E.G. 2-600XLCH)	
1/2"	52.00
3/4"	52.00
1"	69.00
1-1/4"	137.00
1-1/2"	218.00
2"	255.00
LOW RANGE PRESSURE CHROME (LPCH) OPTION: LOW PRESS 10-35 PSI, SET 20 PSI, CHROME INTERNALS (E.G. 2-600XLLPCH)	
1/2"	56.00
3/4"	56.00
1"	74.00
1-1/4"	147.00
1-1/2"	233.00
2"	273.00
LESS INTERNAL BY-PASS (L) OPTION (E.G. 2-600XLL)	
1/2"	19.00
3/4"	19.00
1"	25.00
1-1/4"	49.00
1-1/2"	78.00
2"	92.00

BACKFLOW
PREVENTERS

BACKFLOW/PREVENTERS
ACCESSORIES

STRAINERS

AUTOMATIC
CONTROL VALVES

PRESSURE
REDUCING VALVES

FIRE
PROTECTION VALVES

THERMOSTATIC
MIXING VALVES

RELIEF VALVES

MISCELLANEOUS
PLUMBING PRODUCTS

REPAIR KITS

WATER PRESSURE REDUCING VALVE ACCESSORIES

TPKXL SERIES – TAILPIECE KITS



APPLICATIONS

Designed for connection in different types of plumbing systems, to install pressure reducing valves (regulators) and thermostatic mixing valves. Available in a variety of sizes and end connections.

FEATURES

- 1/2" - 2" (TMV max size 1")
- Configurations include male NPT, female NPT, female copper sweat, male copper sweat, PEX barb, CPVC, compression, Z-Bite™ push type, Z-Press™ press type, and extended retrofit options
- Brass tailpiece or CPVC tailpiece
- Cast brass union nut
- EPDM gasket

SIZE	INLET X OUTLET CONNECTIONS / OPTIONS	LEAD-FREE PART NUMBER	LEAD-FREE LIST PRICE EA.
TPKXL: NPT CONNECTIONS			
1/2"	Female NPT	12-TPKXL	27.00
1/2" x 3/4"	1/2" Female NPT, 3/4" Union	12X34-TPKXL	22.00
3/4"	Female NPT	34-TPKXL	19.00
1"	Female NPT	1-TPKXL	27.00
1-1/4"	Female NPT	114-TPKXL	79.00
1-1/2"	Female NPT	112-TPKXL	135.00
2"	Female NPT	2-TPKXL	184.00
1/2" x 3/4"	1/2" Female NPT, 3/4" Union, SS Screen	12X34-TPKXLS	24.00
3/4"	Female NPT, SS Screen	34-TPKXLS	21.00
3/4"	Male NPT	34-TPKXLM	37.00
3/4"	Male NPT, SS Screen	34-TPKXLSM	40.00
1"	Male NPT	1-TPKXLM	44.00
TPKXLC: COPPER SWEAT CONNECTIONS			
1/2"	Female CU SWT	12-TPKXLC	29.00
1/2" x 3/4"	1/2" Female CU SWT, 3/4" Union	12X34-TPKXLC	29.00
3/4"	Female CU SWT	34-TPKXLC	21.00
1"	Female CU SWT	1-TPKXLC	31.00
1" x 3/4"	1" Female CU SWT, 3/4" Union	1X34-TPKXLC	28.00
1-1/4"	Female CU SWT	114-TPKXLC	80.00
1-1/2"	Female CU SWT	112-TPKXLC	159.00
2"	Female CU SWT	2-TPKXLC	179.00
1/2" x 3/4"	1/2" Female CU SWT, 3/4" Union, SS Screen	12X34-TPKXLCS	32.00
3/4"	Female CU SWT, SS Screen	34-TPKXLCS	21.00
1" x 3/4"	1" Female CU SWT, 3/4" Union, SS Screen	1X34-TPKXLCS	28.00
3/4"	Male CU SWT	34-TPKXLCM	27.00
1"	Male CU SWT	1-TPKXLCM	51.00
TPKCPVC: CPVC CONNECTIONS			
1/2" x 3/4"	1/2" CPVC, 3/4" Union	12X34-TPKCPVC	26.00
1/2" x 3/4"	1/2" CPVC, 3/4" Union, SS Screen	12X34-TPKCPVCS	28.00
3/4"	CPVC	34-TPKCPVC	16.00
3/4"	CPVC, SS Screen	34-TPKCPVCS	18.00
1"	CPVC	1-TPKCPVC	24.00
TPKXLPX: PEX CONNECTIONS			
1/2" x 3/4"	1/2" PEX, 3/4" Union	12X34-TPKXLPX	22.00
3/4"	PEX	34-TPKXLPX	19.00
1"	PEX	1-TPKXLPX	26.00
TPKXLPF: Z-BITE™ PUSH-TYPE SOLDERLESS TAILPIECE KIT			
1/2"	1/2" Push Fitting x Union	12-TPKXLPF	23.00
1/2" x 3/4"	1/2" Push Fitting x 3/4" Union	12X34-TPKXLPF	24.00
1/2" x 3/4"	1/2" Push Fitting x 3/4" Union, SS Screen	12X34-TPKXLPFS	33.00
3/4"	3/4" Push Fitting x Union	34-TPKXLPF	32.00
1"	1" Push Fitting x Union	1-TPKXLPF	51.00
TPKXLPR: Z-PRESS™ PRESS-TYPE SOLDERLESS TAILPIECE KIT			
1/2"	1/2" Press Fitting x Union	12-TPKXLPR	28.00
3/4"	3/4" Press Fitting x Union	34-TPKXLPR	29.00
1"	1" Press Fitting x Union	1-TPKXLPR	40.00
1-1/4"	1-1/4" Press Fitting x Union	114-TPKXLPR	64.00
1-1/2"	1-1/2" Press Fitting x Union	112-TPKXLPR	95.00
2"	2" Press Fitting x Union	2-TPKXLPR	167.00

WATER PRESSURE REDUCING VALVE ACCESSORIES

25 SERIES – PRESSURE GAUGES



SIZE	INLET X OUTLET CONNECTIONS / OPTIONS	LEAD-FREE EXEMPT PART NUMBER	LEAD-FREE EXEMPT LIST PRICE EA.
25 SERIES: PRESSURE GAUGE			
1/8"	Pressure Gauge, 2" Dial, 0-100 psi, 1/8" MNPT	92-25A	64.00
1/4"	Pressure Gauge, 2" Dial, 0-100 psi, 1/4" MNPT	92-25	64.00
3/4"	Pressure Gauge, 2" Dial, 0 - 200psi, 3/4" Female Hose Bibb	HGI-25	47.00
1/4"	Pressure Gauge, 2-1/2" Dial, 0 - 300psi, 1/4" MNPT	2004-25-300	75.00
1/4"	Pressure Gauge, 3 1/2" Dial, 0 - 300psi, 1/4" MNPT	2010-25-300	91.00
1/4"	Pressure Gauge, UL/FM Listed, 3 1/2" Dial, 0 - 300psi, 1/4" MNPT	2005-25UL	240.00
1/8"	Pressure Gauge, Liquid Filled, 2-1/2" Dial, 0 - 300psi, 1/8" MNPT	2006-25LBP-300	163.00
1/4"	Pressure Gauge, Liquid Filled, 2-1/2" Dial, 0 - 300psi, 1/4" MNPT	2004-25L-300	281.00

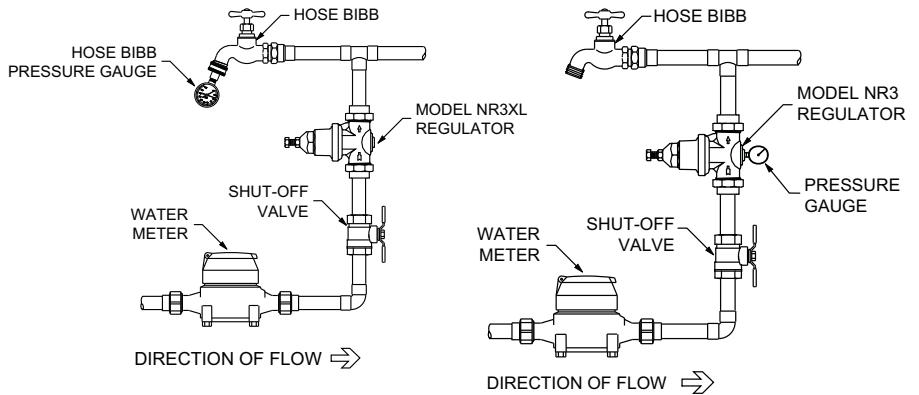
FEATURES (HGI-25)

- 3/4" hose bibb connection (Model HGI-25)
- Dial size 2"
- Indicator needle identifies the highest pressure
- Range: 0 – 200 psi; minimum 2 psi graduation
- Knurled for easy tightening on hose bibb
- Sold in convenient pegboard packaging

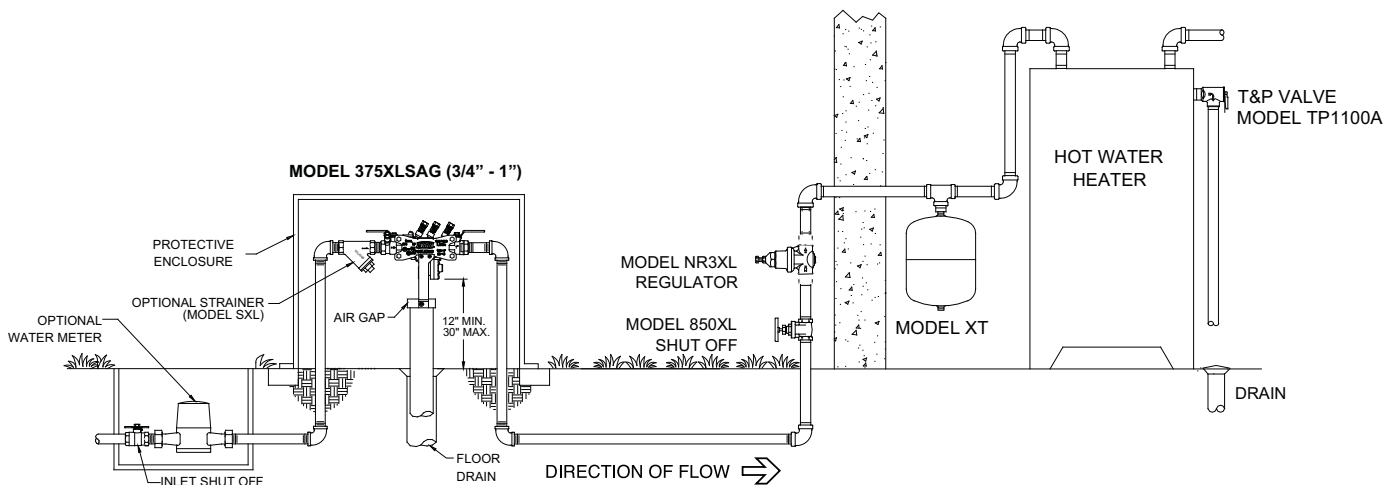
FEATURES (92-25 AND 92-25A)

- 1/8" NPT (Model 92-25A), 1/4" NPT (Model 92-25)
- Dial size 2"
- Range 0 – 100 psi; minimum 2 psi graduation
- Steel black case
- Specify part no. 92-25 (1/4" NPT); 92-25A (1/8" NPT)

TYPICAL INSTALLATION



MODEL NR3XL SERIES - TYPICAL INSTALLATION



NOTES

BACKFLOW
PREVENTERS

BACKFLOW PREVENTERS
ACCESSORIES

STRAINERS

AUTOMATIC
CONTROL VALVES

PRESSURE
REDUCING VALVES

FIRE
PROTECTION VALVES

THERMOSTATIC
MIXING VALVES

RELIEF VALVES

MISCELLANEOUS
PLUMBING PRODUCTS

REPAIR KITS

FIRE PROTECTION VALVES

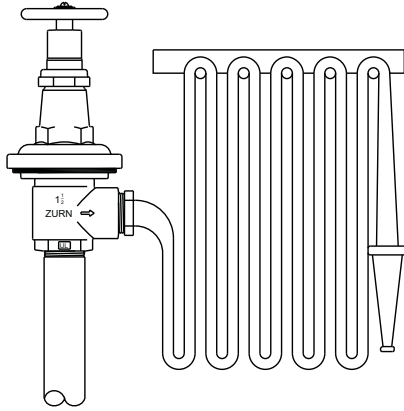
Zurn Wilkins Pressure-Tru® fire system valves are a reliable choice, delivering superior low life-cycle cost. Customers benefit from on-time delivery and availability for the complete line of Zurn Wilkins fire protection system products.

PRESSURE-TRU® Z2100/Z2105 SERIES – FIRE HOSE VALVE	90
PRESSURE-TRU® Z3004 SERIES – AUTOMATIC FIRE CONTROL VALVE	90
PRESSURE-TRU® ZW4004 SERIES – AUTOMATIC FIRE CONTROL VALVE	91
PRESSURE-TRU® ZW4000 SERIES – FIRE HOSE VALVE	91
PRESSURE-TRU® Z3000/Z3005 SERIES – FIRE HOSE VALVE	92
PRESSURE-TRU® ZW4104 SERIES – AUTOMATIC FIRE CONTROL VALVE	92
PRESSURE-TRU® ZW4100 SERIES – FIRE HOSE VALVE	93
F100/F100G SERIES – FIRE HOSE VALVE	94
F105 SERIES – PRESSURE RESTRICTING FIRE HOSE VALVE	94
FTD SERIES – TEST AND DRAIN VALVE	95
F49BR/F49BRG SERIES – POWERBALL BUTTERFLY VALVE	95
FEZR SERIES – COMMERCIAL RISER	96
P4000A – PRESSURE RELIEF VALVE	97

PRESSURE-TRU® Z2100/Z2105 SERIES – FIRE HOSE VALVE



TYPICAL INSTALLATION



APPLICATIONS

The Pressure-Tru Z2100 and Z2105 series pressure reducing valve is listed as a standpipe valve for individual hose stations in class II systems. Regulates pressure under both FLOW and NO-FLOW conditions. Can be adjusted and set at the factory or field adjustable without draining the standpipe riser.

FEATURES

- 1-1/2"
- 400 psi max
- All bronze construction
- Z2100 series features 1-1/2" FNPT inlet connection with 1-1/2" male outlet hose connection
- Z2105 series features 1-1/2" female NPT inlet and outlet connections
- Angle type valve configuration
- Factory set or field adjustable

APPROVALS AND APPLICABLE STANDARDS

- UL® Listed, C-UL® Listed

IMPORTANT

Completed order form required. Order form can be found on zurn.com under Related Documents of the valve.

SIZE	LEAD-FREE EXEMPT PART NUMBER	LEAD-FREE EXEMPT LIST PRICE EA.
Z2100: FNPT X MALE HOSE THREAD, ANGLE BODY		
1-1/2"	Z2100	1,578.00
Z2105: FNPT X FNPT, ANGLE BODY		
1-1/2"	Z2105	1,559.00
OPTIONS AND LIST PRICE ADDERS (ADD OPTION WITH LIST PRICE TO DETERMINE TOTAL LIST PRICE)		
CAP AND CHAIN (C/C) OPTION		
1-1/2"		69.00
<i>Part number will be designated with the "C/C" option (e.g. Z2100C/C, Z2100C/CCH, Z2100STC/CCH).</i>		
CHROME FINISH (CH) OPTION		
1-1/2"		189.00
<i>Part number will be designated with the "CH" option (e.g. Z2100CH, Z2100C/CH, Z2100STC/CCH).</i>		
SPECIAL THREAD (ST) OPTION		
1-1/2"		100.00
<i>Part number will be designated with the "ST" option (e.g. Z2100ST, Z2100STCH, Z2100STC/CCH).</i>		

PRESSURE-TRU® Z3004 SERIES – AUTOMATIC FIRE CONTROL VALVE



APPLICATIONS

The Pressure-Tru Z3004 series pressure reducing valve is listed as a floor control valve in automatic sprinkler systems as well as a standpipe valve for class I and class III systems. Regulates pressure under both FLOW and NO-FLOW conditions.

FEATURES

- 2-1/2"
- 400 psi max
- 500 gpm max
- Open-close indicating feature
- 2-1/2" female inlet and outlet connections or available with grooved options
- Factory set or field adjustable

APPROVALS AND APPLICABLE STANDARDS

- UL® Listed, C-UL® Listed

IMPORTANT

Completed order form required. Order form can be found on zurn.com under Related Documents of the valve.

SIZE	INLET X OUTLET CONNECTIONS / OPTIONS	LEAD-FREE EXEMPT PART NUMBER	LEAD-FREE EXEMPT LIST PRICE EA.
Z3004: FNPT X FNPT			
2-1/2"	Angle Body	Z3004	2,366.00
2-1/2"	Angle Body, Capped Bonnet, No Hand Wheel Assembly	Z3004CAP	2,150.00
2-1/2"	In-Line Body	Z3004IL	2,675.00
2-1/2"	In-Line Body, Capped Bonnet, No Hand Wheel Assembly	Z3004ILCAP	2,358.00
Z3004G: GROOVED X GROOVED			
2-1/2"	Angle Body	Z3004G	2,366.00
2-1/2"	Angle Body, Capped Bonnet, No Hand Wheel Assembly	Z3004GCAP	2,150.00
2-1/2"	In-Line Body	Z3004ILG	2,675.00
2-1/2"	In-Line Body, Capped Bonnet, No Hand Wheel Assembly	Z3004ILGCAP	2,358.00
OPTIONS AND LIST PRICE ADDERS (ADD OPTION WITH LIST PRICE TO DETERMINE TOTAL LIST PRICE)			
MONITOR SWITCH ADAPTER (MSA) OPTION			
2-1/2"			47.00
<i>Part number will be designated with the "MSA" option (e.g. Z3004MSA, Z3004ILMSACH, Z3004ILGMSA).</i>			
CHROME FINISH (CH) OPTION			
2-1/2"			329.00
<i>Part number will be designated with the "CH" option (e.g. Z3004CH, Z3004ILCH, Z3004ILMSACH).</i>			
SUPERVISORY SWITCH (SS) OPTION			
2-1/2"			332.00
<i>Part number will be designated with the "SS" option (e.g. Z3004SS, Z3004ILSS, ZW3004ILGSS).</i>			

PRESSURE-TRU® ZW4004 SERIES – AUTOMATIC FIRE CONTROL VALVE



APPLICATIONS

The Pressure-Tru ZW4004 series pressure reducing valve is listed as a floor control valve in automatic sprinkler systems as well as a standpipe valve for class I and class III systems. Regulates pressure under both FLOW and NO-FLOW conditions.

FEATURES

- 2-1/2"
- 400 psi max
- 500 gpm max
- Open-Close indicating feature
- 2-1/2" Female NPT inlet and outlet connection
- Factory set, non-field adjustable
- Use Part Number Assistant on zurn.com for factory setting (Available flow Curves N, O, P, Q, R, S, T & U, example: ZW4004G-T)

APPROVALS AND APPLICABLE STANDARDS

- UL® Listed, C-UL® Listed

SIZE	INLET X OUTLET CONNECTIONS / OPTIONS	LEAD-FREE EXEMPT PART NUMBER	LEAD-FREE EXEMPT LIST PRICE EA.
ZW4004: FNPT X FNPT			
2-1/2"	Angle Body	ZW4004	1,441.00
2-1/2"	Angle Body, Capped Bonnet, No Hand Wheel Assembly	ZW4004CAP	1,235.00
2-1/2"	In-Line Body	ZW4004IL	1,665.00
2-1/2"	In-Line Body, Capped Bonnet, No Hand Wheel Assembly	ZW4004ILCAP	1,460.00
ZW4004G: GROOVED X GROOVED			
2-1/2"	Angle Body	ZW4004G	1,441.00
2-1/2"	Angle Body, Capped Bonnet, No Hand Wheel Assembly	ZW4004GCAP	1,235.00
2-1/2"	In-Line Body	ZW4004ILG	1,665.00
2-1/2"	In-Line Body, Capped Bonnet, No Hand Wheel Assembly	ZW4004ILGCAP	1,460.00
OPTIONS AND LIST PRICE ADDERS (ADD OPTION WITH LIST PRICE TO DETERMINE TOTAL LIST PRICE)			
MONITOR SWITCH ADAPTER (MSA) OPTION			
2-1/2"			47.00
<i>Part number will be designated with the "MSA" option (e.g. ZW4004MSA-P, ZW4004ILMSA-S, ZW4004ILGMSA-T).</i>			
CHROME FINISH (CH) OPTION			
2-1/2"			329.00
<i>Part number will be designated with the "CH" option (e.g. ZW4004CH-P, ZW4004ILCH-S, ZW4004ILGMSACH-T).</i>			
SUPERVISORY SWITCH (SS)			
2-1/2"			332.00
<i>Part number will be designated with the "SS" option (e.g. ZW4004SS-P, ZW4004ILSS-S, ZW4004ILGSSCH-T).</i>			

IMPORTANT

Completed order form required. Order form can be found on zurn.com under Related Documents of the valve.

PRESSURE-TRU® ZW4000 SERIES – FIRE HOSE VALVE



APPLICATIONS

Listed as a standpipe valve for individual hose stations in CLASS I and CLASS III systems. Regulates pressure under both FLOW and NO-FLOW conditions.

FEATURES

- 2-1/2"
- 400 psi max
- Factory set, non-field adjustable
- All bronze construction
- Available in angle or in-line (globe) configurations
- Use Part Number Assistant on zurn.com for factory setting (Available flow Curves N, O, P, Q, R, S, T & U, example: ZW4000G-T)

APPROVALS AND APPLICABLE STANDARDS

- UL® Listed, C-UL® Listed

SIZE	INLET X OUTLET CONNECTIONS / OPTIONS	LEAD-FREE EXEMPT PART NUMBER	LEAD-FREE EXEMPT LIST PRICE EA.
ZW4000: FNPT X MALE HOSE THREAD, ANGLE BODY			
2-1/2"		ZW4000	1,417.00
ZW4000IL: FNPT X MALE HOSE THREAD, IN-LINE BODY			
2-1/2"		ZW4000IL	1,674.00
ZW4000G: GROOVED X MALE HOSE THREAD, ANGLE BODY			
2-1/2"		ZW4000G	1,417.00
ZW4000ILG: GROOVED X MALE HOSE THREAD, IN-LINE BODY			
2-1/2"		ZW4000ILG	1,674.00
ZW4000SF: WITH SAN FRANCISCO HOSE THREAD (3")			
2-1/2"	FNPT x SF Male Hose Thread, Angle Body	ZW4000SF	1,693.00
2-1/2"	FNPT x SF Male Hose Thread, In-Line Body	ZW4000ILSF	1,950.00
2-1/2"	Grooved x SF Male Hose Thread, Angle Body	ZW4000GSF	1,693.00
OPTIONS AND LIST PRICE ADDERS (ADD OPTION WITH LIST PRICE TO DETERMINE TOTAL LIST PRICE)			
CAP AND CHAIN (CC) OPTION			
2-1/2"			123.00
<i>Part number will be designated with the "CC" option (e.g. ZW4000C/C-M, ZW4000C/CCH-O, ZW4000STC/C-P).</i>			
CHROME FINISH (CH) OPTION			
2-1/2"			329.00
<i>Part number will be designated with the "CH" option (e.g. ZW4000CH-M, ZW4000CCCH-O, ZW4000STCCCH-P).</i>			
SPECIAL FIRE HOSE THREADS (ST) OPTION			
2-1/2"			100.00
<i>Part number will be designated with the "ST" option (e.g. ZW4000ST-M, ZW4000STCH-O, ZW4000GST-P).</i>			

IMPORTANT

Completed order form required. Order form can be found on zurn.com under Related Documents of the valve.

For additional product information, please visit www.zurn.com.

PRESSURE-TRU® Z3000/Z3005 SERIES – FIRE HOSE VALVE



APPLICATIONS

The Pressure-Tru Z3000 and Z3005 series pressure reducing valve is listed as a standpipe valve for individual hose stations in class I and class III systems. Regulates pressure under both FLOW and NO-FLOW conditions.

FEATURES

- 2-1/2"
- 400 psi max
- All bronze construction
- Model Z3000 series features female NPT inlet x male hose thread outlet or available with grooved inlet
- Model Z3005 series features female NPT inlet and outlet
- Available in angle or in-line (globe) configurations
- Factory set or field adjustable

APPROVALS AND APPLICABLE STANDARDS

- UL® Listed, C-UL® Listed

SIZE	INLET X OUTLET CONNECTIONS / OPTIONS	LEAD-FREE EXEMPT PART NUMBER	LEAD-FREE EXEMPT LIST PRICE EA.
Z3000: NATIONAL HOSE THREAD OUTLET			
2-1/2"	FNPT x Male Hose Thread, Angle Body	Z3000	2,240.00
Z3000IL: IN-LINE (GLOBE TYPE) VALVE			
2-1/2"	FNPT x Male Hose Thread, In-Line Body	Z3000IL	2,483.00
Z3000G: GROOVED X MALE HOSE THD			
2-1/2"	Angle Body	Z3000G	2,240.00
2-1/2"	In-Line Body	Z3000ILG	2,483.00
Z3000SF: WITH SAN FRANCISCO HOSE THREAD (3")			
2-1/2"	Angle Body	Z3000SF	2,531.00
2-1/2"	In-Line Body	Z3000ILSF	2,657.00
Z3005: FNPT X FNPT			
2-1/2"	Angle Body	Z3005	2,298.00
2-1/2"	In-Line Body	Z3005IL	2,678.00
OPTIONS AND LIST PRICE ADDERS (ADD OPTION WITH LIST PRICE TO DETERMINE TOTAL LIST PRICE)			
CAP AND CHAIN (C/C) OPTION			
2-1/2"			123.00
<i>Part number will be designated with the "C/C" option (e.g. Z3000C/C, Z3000C/CCH, Z3000STC/C).</i>			
CHROME FINISH (CH) OPTION			
2-1/2"			329.00
<i>Part number will be designated with the "CH" option (e.g. Z3000CH, Z3000C/CCH, Z3000STC/CCH).</i>			
SPECIAL THREAD (ST) OPTION			
2-1/2"			100.00
<i>Part number will be designated with the "ST" option (e.g. Z3000ST, Z3000ILST, Z3000GSTC/C).</i>			

IMPORTANT

Completed order form required. Order form can be found on zurn.com under Related Documents of the valve.

PRESSURE-TRU® ZW4104 SERIES – AUTOMATIC FIRE CONTROL VALVE



APPLICATIONS

The Pressure-Tru ZW4104 series pressure reducing valve is listed as a floor control valve in automatic sprinkler systems as well as a standpipe valve for class II systems. Regulates pressure under both FLOW and NO-FLOW conditions.

FEATURES

- 1-1/2"
- 400 psi max
- 200 gpm max
- Open-Close indicating feature
- 1-1/2" Female NPT inlet and outlet connections
- Available in angle style only
- Factory set, non-field adjustable
- Use Part Number Assistant on zurn.com for factory setting (Available flow Curves N, O, P, Q, R, S, T & U, example: ZW4104G-T)

SIZE	INLET X OUTLET CONNECTIONS / OPTIONS	LEAD-FREE EXEMPT PART NUMBER	LEAD-FREE EXEMPT LIST PRICE EA.
ZW4104: FNPT X FNPT			
1-1/2"	Angle Body	ZW4104	1,291.00
1-1/2"	Angle Body, Capped Bonnet, No Hand Wheel Assembly	ZW4104CAP	1,172.00
ZW4104G: GROOVED X GROOVED			
1-1/2"	Angle Body	ZW4104G	1,291.00
1-1/2"	Angle Body, Capped Bonnet, No Hand Wheel Assembly	ZW4104GCAP	1,172.00
OPTIONS AND LIST PRICE ADDERS (ADD OPTION WITH LIST PRICE TO DETERMINE TOTAL LIST PRICE)			
MSA OPTION, MONITOR SWITCH ADAPTER INSTALLED			
1-1/2"			47.00
<i>Part number will be designated with the "MSA" option (e.g. ZW4104MSA-M, ZW4104MSACH-O, ZW4104GCH-P).</i>			
CH OPTION, ROUGH CHROME FINISH			
1-1/2"			189.00
<i>Part number will be designated with the "CH" option (e.g. ZW4104CH-M, ZW4104GCH-O, ZW4100SSCH-P).</i>			
SS OPTION, SUPERVISORY SWITCH INSTALLED			
1-1/2"			182.00
<i>Part number will be designated with the "SS" option (e.g. ZW4104SS-M, ZW4104SSCH-O, ZW4104GSS-P).</i>			

APPROVALS AND APPLICABLE STANDARDS

- UL® Listed, C-UL® Listed
- SS option - California State Fire Marshall Listed

IMPORTANT

Completed order form required. Order form can be found on zurn.com under Related Documents of the valve.

PRESSURE-TRU® ZW4100 SERIES – FIRE HOSE VALVE



APPLICATIONS

The Pressure-Tru ZW4100 series pressure reducing valve is listed as a standpipe valve for individual hose stations in class II systems. Regulates pressure under both FLOW and NO-FLOW conditions.

FEATURES

- 1-1/2"
- 400 psi max
- All bronze construction
- Model ZW4100 series features female NPT inlet x male hose thread outlet
- Model ZW4100G series features grooved inlet x male hose thread outlet
- Available in angle style only
- Factory set, non-field adjustable
- Use Part Number Assistant on zurn.com for factory setting (Available flow Curves N, O, P, Q, R, S, T & U, example: ZW4100G-T)
- Contact factory for approvals & availability

APPROVALS AND APPLICABLE STANDARDS

- UL® Listed, C-UL® Listed

IMPORTANT

Completed order form required. Order form can be found on zurn.com under Related Documents of the valve.

SIZE	LEAD-FREE EXEMPT PART NUMBER	LEAD-FREE EXEMPT LIST PRICE EA.
ZW4100: FNPT X MALE HOSE THREAD, ANGLE BODY		
1-1/2"	ZW4100	1,291.00
ZW4100G: GROOVED X MALE HOSE THREAD, ANGLE BODY		
1-1/2"	ZW4100G	1,291.00
OPTIONS AND LIST PRICE ADDERS (ADD OPTION WITH LIST PRICE TO DETERMINE TOTAL LIST PRICE)		
CAP AND CHAIN (CC) OPTION		
1-1/2"		69.00
<i>Part number will be designated with the "CC" option (e.g. ZW4100CC-M, ZW4100CCCH-O, ZW4100STCC-P).</i>		
CHROME FINISH (CH) OPTION		
1-1/2"		189.00
<i>Part number will be designated with the "CH" option (e.g. ZW4100CH-M, ZW4100CCCH-O, ZW4100STCCCH-P).</i>		
SPECIAL THREAD (ST) OPTION		
1-1/2"		100.00
<i>Part number will be designated with the "ST" option (e.g. ZW4100ST-M, ZW4100STCH-O, ZW4100GST-P).</i>		

BACKFLOW PREVENTERS

BACKFLOW PREVENTERS ACCESSORIES

STRAINERS

AUTOMATIC CONTROL VALVES

PRESSURE REDUCING VALVES

FIRE PROTECTION VALVES

THERMOSTATIC MIXING VALVES

RELIEF VALVES

MISCELLANEOUS PLUMBING PRODUCTS

REPAIR KITS

F100/F100G SERIES – FIRE HOSE VALVE



APPLICATIONS

Zurn Model F100/F100G Fire Hose Valves are standpipe valves listed for use on a fire hose rack assembly, or as a fire department outlet connection. Suitable for test header application.

FEATURES

- 1-1/2", 2-1/2"
- 300 psi max
- All bronze construction
- Inlet Connections: FNPT
- Outlet Connections Options: NH, FNPT or Special Thread (2-1/2")
- Rough chrome plated optional

APPROVALS AND APPLICABLE STANDARDS

- UL® Listed, C-UL® Listed, ULC® Listed (2-1/2" only)

SIZE	INLET X OUTLET CONNECTIONS / OPTIONS	LEAD-FREE EXEMPT PART NUMBER	LEAD-FREE EXEMPT LIST PRICE EA.
F100: FNPT X NH			
1-1/2"	Angle Body, Brass	112-F100	103.00
2-1/2"	Angle Body, Brass	212-F100	154.00
2-1/2"	Angle Body, Rough Chrome Plated	212-F100CH	194.00
F100F: FNPT X FNPT			
1-1/2"	Angle Body, Brass	112-F100F	103.00
2-1/2"	Angle Body, Brass	212-F100F	154.00
F100ST: FNPT X SPECIAL THREAD			
2-1/2"	Angle Body, Brass	212-F100ST	154.00
2-1/2"	Angle Body, Rough Chrome Plated	212-F100STCH	194.00
F100G: GRV X NH			
2-1/2"	Angle Body, Brass	212-F100G	154.00
2-1/2"	Angle Body, Rough Chrome Plated	212-F100GCH	194.00
F100GF: GRV X FNPT			
2-1/2"	Angle Body, Brass	212-F100GF	154.00
F100GST: GRV X SPECIAL THREAD			
2-1/2"	Angle Body, Brass	212-F100GST	154.00
2-1/2"	Angle Body, Rough Chrome Plated	212-F100GSTCH	194.00

F105 SERIES – PRESSURE RESTRICTING FIRE HOSE VALVE



APPLICATIONS

Zurn Model F105 Pressure Restricting Fire Hose Valves are listed standpipe valves for hose stations. They regulate pressure under FLOW conditions only. Pressure at the valve can be adjusted and set in the field while flow testing a standpipe riser.

FEATURES

- 1-1/2", 2-1/2"
- 175 psi max
- All bronze construction
- Inlet Connections: FNPT
- Outlet Connections Options: NH, FNPT or Special Thread (2-1/2")

APPROVALS AND APPLICABLE STANDARDS

- UL® Listed, C-UL® Listed, ULC® Listed (2-1/2" only)

SIZE	INLET X OUTLET CONNECTIONS / OPTIONS	LEAD-FREE EXEMPT PART NUMBER	LEAD-FREE EXEMPT LIST PRICE EA.
F105: FNPT X NH			
1-1/2"	Angle Body, Brass	112-F105	137.00
2-1/2"	Angle Body, Brass	212-F105	208.00
F105F: FNPT X FNPT			
1-1/2"	Angle Body, Brass	112-F105F	137.00
2-1/2"	Angle Body, Brass	212-F105F	208.00
F105ST: FNPT X SPECIAL THREAD			
2-1/2"	Angle Body, Brass	212-F105ST	208.00

FTD SERIES- TEST AND DRAIN VALVE



APPLICATIONS

Zurn Model FTD Fire Test and Drain valves provide for required water flow testing and draining of a sprinkler system with one valve. In the test position this valve simulates flow of a single sprinkler with a 5.6 K-Factor orifice. The drain position allows unrestricted flow for rapid draining of the system. Clear sight glass plugs facilitates visual inspection of water flow through the valve.

FEATURES

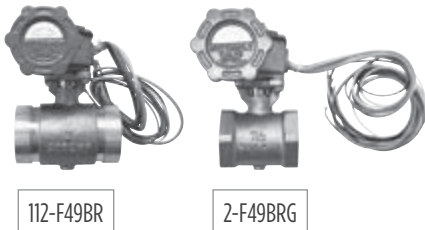
- 1", 1-1/4", 1-1/2", 2"
- 300 psi max
- Suitable for first fit construction or replacement of existing valve.

APPROVALS AND APPLICABLE STANDARDS

- UL® Listed, C-UL® Listed, FM® Approved

SIZE	INLET X OUTLET CONNECTIONS / OPTIONS	LEAD-FREE EXEMPT PART NUMBER	LEAD-FREE EXEMPT LIST PRICE EA.
FTD: FIRE TEST AND DRAIN VALVES			
1"	Straight Body, K5.6 Orifice, Brass	1-FTD-K56	250.00
1-1/4"	Straight Body, K5.6 Orifice, Brass	114-FTD-K56	257.00
1-1/2"	Straight Body, K5.6 Orifice, Brass	112-FTD-K56	330.00
2"	Straight Body, K5.6 Orifice, Brass	2-FTD-K56	427.00

F49BR/F49BRG SERIES – POWERBALL BUTTERFLY VALVE



SIZE	INLET X OUTLET CONNECTIONS / OPTIONS	LEAD-FREE EXEMPT PART NUMBER	LEAD-FREE EXEMPT LIST PRICE EA.
F49BR: THREADED			
1"	Brass with Supervisory Switch	1-F49BR	325.00
1-1/4"	Brass with Supervisory Switch	114-F49BR	347.00
1-1/2"	Brass with Supervisory Switch	112-F49BR	367.00
2"	Brass with Supervisory Switch	2-F49BR	433.00
2-1/2"	Brass with Supervisory Switch	212-F49BR	572.00
F49BRG: GROOVED			
1-1/4"	Brass with Supervisory Switch	114-F49BRG	359.00
1-1/2"	Brass with Supervisory Switch	112-F49BRG	379.00
2"	Brass with Supervisory Switch	2-F49BRG	429.00
2-1/2"	Brass with Supervisory Switch	212-F49BRG	517.00

APPLICATIONS

Zurn Model F49BR Fire Powerball Butterfly sprinkler control valves provide for easy system shutoff to facilitate repair and maintenance.

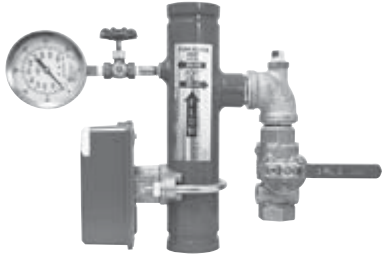
FEATURES

- 1", 1-1/4", 1-1/2", 2", 2-1/2"
- 300 psi max
- Threaded end connections
- Valves feature low torque actuation and a built-in tamper switch
- Operated with a slow closing 1/4 turn antiwater hammer valve
- Tamper switches signal movement of the valve from the full open position to an alarm

APPROVALS AND APPLICABLE STANDARDS

- UL® Listed, C-UL® Listed, FM® Approved

FEZR SERIES – COMMERCIAL RISER



SIZE	INLET X OUTLET CONNECTIONS / OPTIONS	LEAD-FREE EXEMPT PART NUMBER	LEAD-FREE EXEMPT LIST PRICE EA.
FEZR: COMMERCIAL RISERS			
2"	Commercial Riser, Test and Drain, Flow Switch, Pressure Gauge	2-FEZR-TD	896.00
2-1/2"	Commercial Riser, Test and Drain, Flow Switch, Pressure Gauge	212-FEZR-TD	933.00
3"	Commercial Riser, Test and Drain, Flow Switch, Pressure Gauge	3-FEZR-TD	1,023.00
4"	Commercial Riser, Test and Drain, Flow Switch, Pressure Gauge	4-FEZR-TD	1,124.00
6"	Commercial Riser, Test and Drain, Flow Switch, Pressure Gauge	6-FEZR-TD	1,195.00

APPLICATIONS

Zurn Model FEZR in building Fire Commercial Risers are vertically mounted assemblies designed to connect a water supply line to a fire sprinkler system. Each unit consists of a Test and Drain Valve, a Water Flow Detector Switch, and a Pressure Gauge.

FEATURES

- 2", 2-1/2", 3", 4", 6"
- 300 psi max
- Risers come standard with test & drain valve, water flow detector switch and a pressure gauge
- Fusion epoxy coated exterior main body

APPROVALS AND APPLICABLE STANDARDS

- UL® Listed, FM® Approved, Listed by California Fire Marshall

BACKFLOW PREVENTERS

BACKFLOW PREVENTERS ACCESSORIES

STRAINERS

AUTOMATIC CONTROL VALVES

PRESSURE REDUCING VALVES

FIRE PROTECTION VALVES

THERMOSTATIC MIXING VALVES

RELIEF VALVES

MISCELLANEOUS PLUMBING PRODUCTS

REPAIR KITS

P4000A – PRESSURE RELIEF VALVE



APPLICATIONS

The pressure relief valve prevents pressure build-up in a fire protection system or other closed type system whenever the line pressure exceeds the setting of the spring caused by pumps, elevated piping and thermal expansion.

FEATURES

- 1/2", 3/4"
- Available pressure ranges: 50 to 200 psi standard (UL), 150 to 300 psi (UL)
- 140°F max
- Body and cover materials: cast bronze, stainless steel

APPROVALS AND APPLICABLE STANDARDS

- UL® Listed, FM® Approved

IMPORTANT

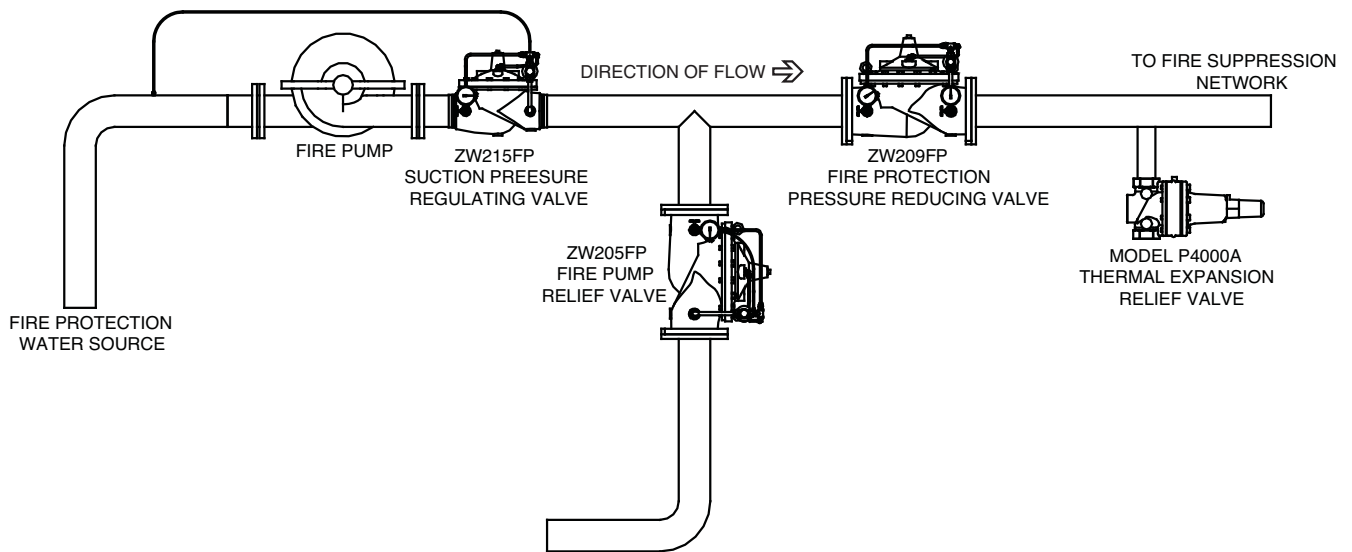
Completed order form required. Order form can be found on zurn.com under Related Documents of the valve.

TYPICAL INSTALLATION

Underwriters Laboratories requires the installation of pressure gauges upstream and downstream of the pressure reducing valve. Also, a relief valve of not less than 1/2" in size must be installed on the downstream side of the pressure control valve. Adequate drainage for the relief valve discharge must be provided.

SIZE	LEAD-FREE EXEMPT PART NUMBER	LEAD-FREE EXEMPT LIST PRICE EA.
P4000A: RELIEF VALVE, FNPT X FNPT, 50-200 PSI		
1/2"	12-P4000A	760.00
3/4"	34-P4000A	760.00
P4000AHR: RELIEF VALVE, FNPT X FNPT, 150-300 PSI		
1/2"	12-P4000AHR	850.00
3/4"	34-P4000AHR	850.00

TYPICAL INSTALLATION



NOTES

BACKFLOW
PREVENTERS

BACKFLOW PREVENTERS
ACCESSORIES

STRAINERS

AUTOMATIC
CONTROL VALVES

PRESSURE
REDUCING VALVES

FIRE
PROTECTION VALVES

THERMOSTATIC
MIXING VALVES

RELIEF VALVES

MISCELLANEOUS
PLUMBING PRODUCTS

REPAIR KITS

THERMOSTATIC MIXING VALVES

Zurn Wilkins thermostatic mixing valves protect users from scalding injuries while maintaining efficient temperatures to inhibit the growth of bacteria.

ZW1017XL – AQUA-GARD® THERMOSTATIC MIXING VALVE (ASSE 1017 POINT OF SOURCE)	100
ZW1017XLHT – AQUA-GARD® THERMOSTATIC MIXING VALVE (ASSE 1017 POINT OF SOURCE)	101
ZW1070XL – AQUA-GARD® THERMOSTATIC MIXING VALVE (ASSE 1070 POINT OF USE)	102
ZW3870XLT AND ZW3870XLT-4P – THERMOSTATIC MIXING VALVE (ASSE 1070 POINT OF USE)	103
THERMOSTATIC MIXING VALVES ACCESSORIES	104
TPKXL SERIES – TAILPIECE KITS	104

ZW1017XL – AQUA-GARD® THERMOSTATIC MIXING VALVE (ASSE 1017 POINT OF SOURCE)



APPLICATIONS

Designed to be used at the hot water source (residential and most light commercial installations) to mix hot and cold water in the distribution system.

FEATURES

- 3/8" - 1"
- Flow Capacity - 18 GPM @ 45 psi pressure loss
- Outlet temperature range of 95° - 131°F
- Integral check valves and stainless steel strainers (no strainer in 38-ZW1017XLCOMP)
- Multiple tailpiece options provide installation flexibility

APPROVALS AND APPLICABLE STANDARDS

- Certified to ASSE Standard 1017, CSA® Certified, IAPMO® Listed
- Certified to NSF/ANSI 61 and 372

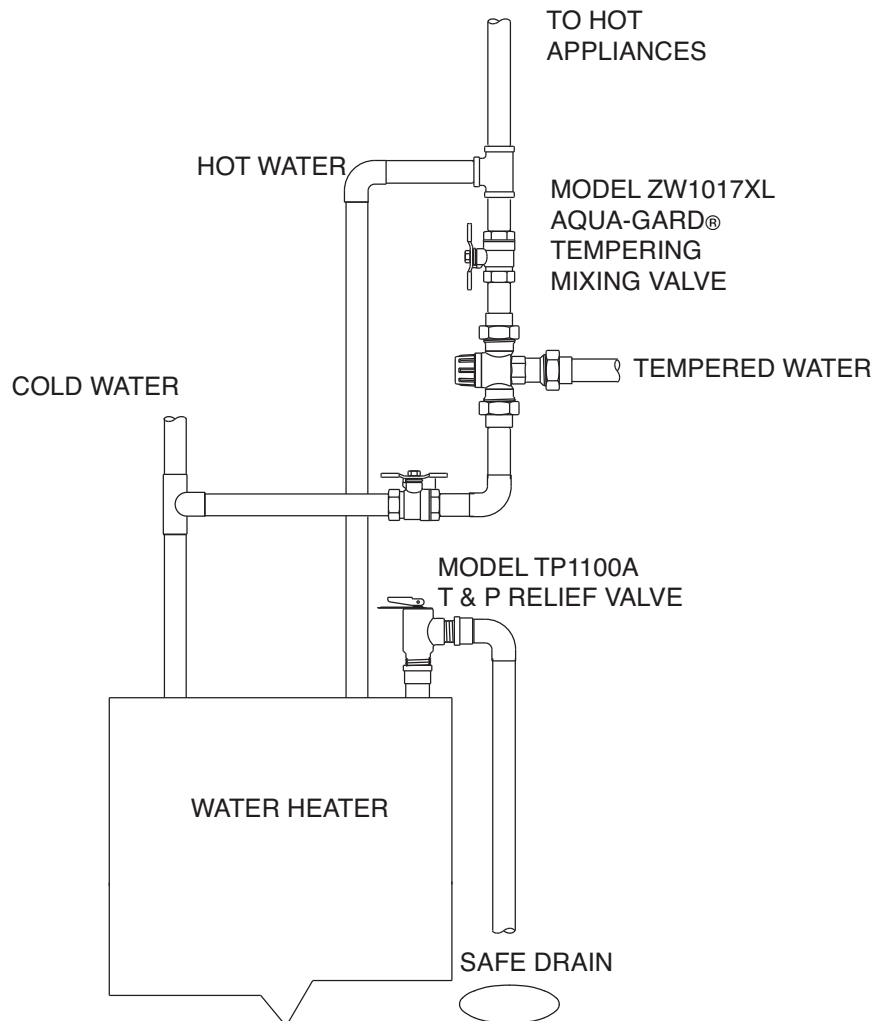
TYPICAL INSTALLATION

WARNING: This device should never be installed at the point of use where the end user could change its setting. Point of use device must be of the ASSE 1070 variety. It is recommended that the ZW1017XL be installed with a shut-off valve and thermometer in the tempered water line to provide accurate and safe water mixing temperatures, to be used in conjunction with an ASSE 1070 device.

Systems distribution application. Not to be used at point of use.

SIZE	INLET X OUTLET CONNECTIONS / OPTIONS	LEAD-FREE PART NUMBER	LEAD-FREE LIST PRICE EA.
ZW1017XL-LU: LESS UNIONS AND TAILPIECES, ASSE 1017			
	ZW1017XL valve less unions	ZW1017XL-LU	276.00
ZW1017XL: SUPPLIED WITH THREE FNPT TAILPIECES AND UNION NUTS			
1/2"	1/2" FNPT, ASSE 1017	12-ZW1017XL	326.00
3/4"	3/4" FNPT, ASSE 1017	34-ZW1017XL	317.00
3/4"	3/4" FNPT, ASSE 1017, Less Internal Screens	34-ZW1017XL-LS	315.00
ZW1017XL: SUPPLIED WITH THREE MNPT TAILPIECES AND UNION NUTS			
3/4"	3/4" MNPT, ASSE 1017	34-ZW1017XLM	362.00
ZW1017XLC: SUPPLIED WITH THREE FEMALE COPPER SWEAT TAILPIECES AND UNION NUTS			
1/2"	1/2" Female CU SWT, ASSE 1017	12-ZW1017XLC	346.00
3/4"	3/4" Female CU SWT, ASSE 1017	34-ZW1017XLC	318.00
1"	1" Female CU SWT, ASSE 1017	1-ZW1017XLC	322.00
ZW1017XLCPVC: SUPPLIED WITH THREE FEMALE CPVC TAILPIECES AND UNION NUTS			
1/2"	1/2" CPVC, ASSE 1017	12-ZW1017XLCPVC	370.00
3/4"	3/4" CPVC, ASSE 1017	34-ZW1017XLCPVC	317.00
ZW1017XLPEX: SUPPLIED WITH THREE MALE PEX TAILPIECES AND UNION NUTS			
1/2"	1/2" PEX, ASSE 1017	12-ZW1017XLPEX	317.00
3/4"	3/4" PEX, ASSE 1017	34-ZW1017XLPEX	317.00
ZW1017XLCOMP: SUPPLIED WITH THREE 3/8" COMPRESSION TAILPIECES AND UNION NUTS			
3/8"	3/8" Compression, ASSE 1017	38-ZW1017XLCOMP	353.00

TYPICAL INSTALLATION



ZW1017XLHT – AQUA-GARD® THERMOSTATIC MIXING VALVE (ASSE 1017 POINT OF SOURCE)



APPLICATIONS

Designed to be used at the hot water source with higher temperature applications (hydronic/radiant heating) to mix hot and cold water in the distribution system.

FEATURES

- 3/8" - 1"
- Flow capacity - 18 GPM @ 45 psi pressure loss
- Outlet temperature range of 80° - 165°F
- Integral check valves and stainless steel strainers (no strainer in 38-ZW1017XLHTCOMP)
- Multiple tailpiece options provide installation flexibility

APPROVALS AND APPLICABLE APPLICATIONS

- Certified to ASSE standard 1017, IAPMO® Listed
- Certified to NSF/ANSI 61 and 372

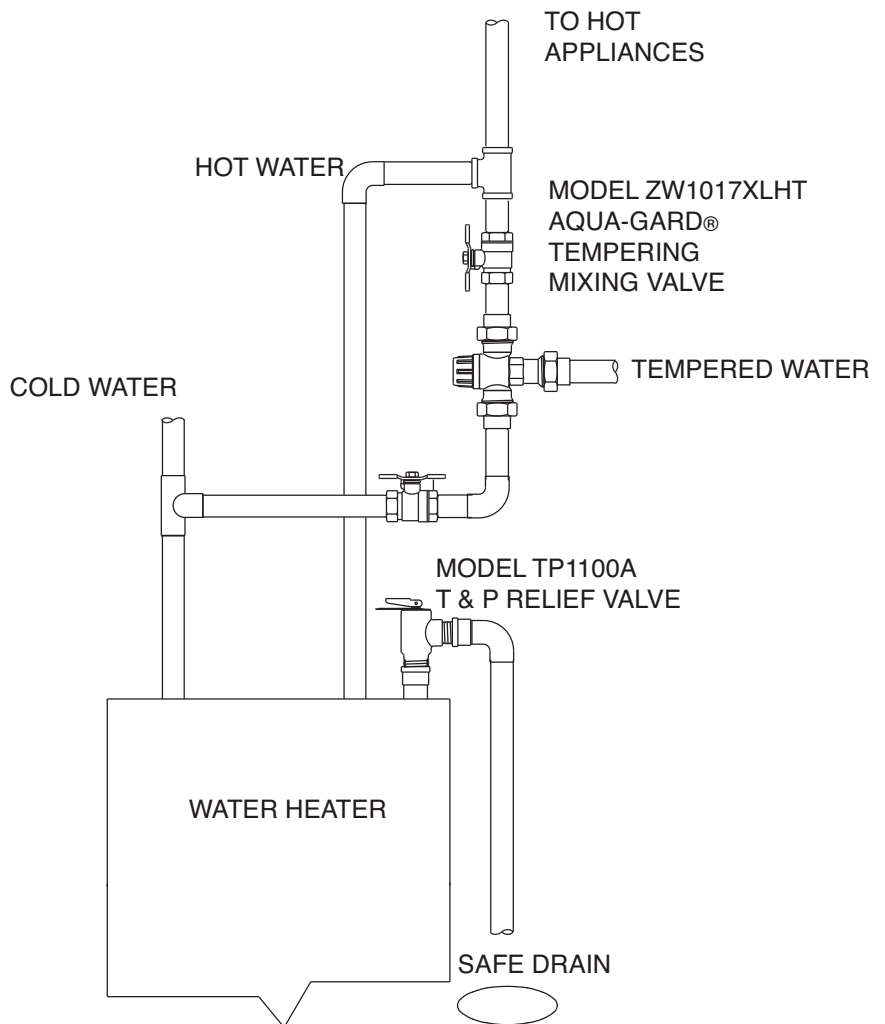
TYPICAL INSTALLATION

WARNING: This device should never be installed at the point of use where the end user could change its setting. It is recommended that the ZW1017XLHT be installed with shut-off valve and thermometer in the tempered water line to provide accurate and safe water mixing temperature.

Radiant heat systems distribution application. Not to be used at point of use

SIZE	INLET X OUTLET CONNECTIONS / OPTIONS	LEAD-FREE PART NUMBER	LEAD-FREE LIST PRICE EA.
ZW1017XLHT-LU: LESS UNIONS AND TAILPIECES, ASSE 1017			
	ZW1017XLHT valve less unions	ZW1017XLHT-LU	341.00
ZW1017XLHT: SUPPLIED WITH THREE FNPT TAILPIECES AND UNION NUTS			
1/2"	1/2" FNPT, ASSE 1017	12-ZW1017XLHT	386.00
3/4"	3/4" FNPT, ASSE 1017	34-ZW1017XLHT	375.00
ZW1017XLHTM: SUPPLIED WITH THREE MNPT TAILPIECES AND UNION NUTS			
3/4"	3/4" MNPT, ASSE 1017	34-ZW1017XLHTM	427.00
ZW1017XLHTC: SUPPLIED WITH THREE FEMALE COPPER SWEAT TAILPIECES AND UNION NUTS			
1/2"	1/2" Female CU SWT, ASSE 1017	12-ZW1017XLHTC	409.00
3/4"	3/4" Female CU SWT, ASSE 1017	34-ZW1017XLHTC	376.00
1"	1" Female CU SWT, ASSE 1017	1-ZW1017XLHTC	383.00
ZW1017XLHTCPVC: SUPPLIED WITH THREE FEMALE CPVC TAILPIECES AND UNION NUTS			
1/2"	1/2" CPVC, ASSE 1017	12-ZW1017XLHTCPVC	375.00
3/4"	3/4" CPVC, ASSE 1017	34-ZW1017XLHTCPVC	375.00
ZW1017XLHTPEX: SUPPLIED WITH THREE MALE PEX TAILPIECES AND UNION NUTS			
1/2"	1/2" PEX, ASSE 1017	12-ZW1017XLHTPEX	375.00
3/4"	3/4" PEX, ASSE 1017	34-ZW1017XLHTPEX	375.00
ZW1017XLHTCOMP: SUPPLIED WITH THREE 3/8" COMPRESSION TAILPIECES AND UNION NUTS			
3/8"	3/8" Compression, ASSE 1017	38-ZW1017XLHTCOMP	416.00

TYPICAL INSTALLATION



ZW1070XL – AQUA-GARD® THERMOSTATIC MIXING VALVE (ASSE 1070 POINT OF USE)



APPLICATIONS

Designed to be installed at the point of use (residential and most light commercial installations) to mix hot and cold water from the distribution system to a final safer temperature.

FEATURES

- 3/8" - 1"
- Flow capacity - 10 GPM @ 45 psi pressure loss
- Final safe temperature range of 95° - 115°F
- Set temp accuracy ±3°F
- Minimum Flow Rate: 0.35 GPM
- Integral check valves and stainless steel strainers (no strainer in 38-ZW1070XLCOMP)
- Rough chrome plated
- Multiple tailpiece options provide installation flexibility

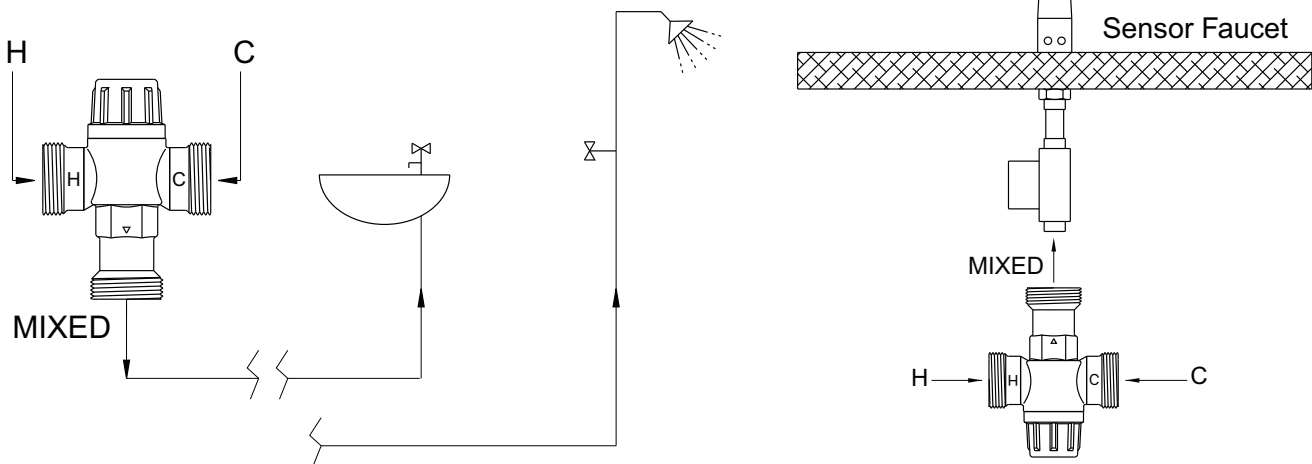
APPROVALS AND APPLICABLE APPLICATIONS

- ASSE® Listed 1070, CSA® Certified, IAPMO® Listed
- Certified to NSF/ANSI 61 and 372

TYPICAL INSTALLATION

The device is designed to be installed at a single outlet. It may be used to supply multiple individual outlets when there is sufficient supply pressure. It is suggested to use ball valves on the hot and cold inlet supplies.

TYPICAL INSTALLATION



SIZE	INLET X OUTLET CONNECTIONS / OPTIONS	LEAD-FREE PART NUMBER	LEAD-FREE LIST PRICE EA.
ZW1070XL-LU: LESS UNIONS AND TAILPIECES, ASSE 1070			
	ZW1070XL valve less unions	ZW1070XL-LU	303.00
ZW1070XL: SUPPLIED WITH THREE FNPT TAILPIECES AND UNION NUTS			
1/2"	1/2" FNPT, ASSE 1070	12-ZW1070XL	369.00
3/4"	3/4" FNPT, ASSE 1070	34-ZW1070XL	343.00
ZW1070XLM: SUPPLIED WITH THREE MNPT TAILPIECES AND UNION NUTS			
3/4"	3/4" MNPT, ASSE 1070	34-ZW1070XLM	388.00
ZW1070XLC: SUPPLIED WITH THREE FEMALE COPPER SWEAT TAILPIECES AND UNION NUTS			
1/2"	1/2" Female CU SWT, ASSE 1070	12-ZW1070XLC	391.00
3/4"	3/4" Female CU SWT, ASSE 1070	34-ZW1070XLC	344.00
1"	1" Female CU SWT, ASSE 1070	1-ZW1070XLC	349.00
ZW1070XLCPVC: SUPPLIED WITH THREE FEMALE CPVC TAILPIECES AND UNION NUTS			
1/2"	1/2" CPVC, ASSE 1070	12-ZW1070XLCPVC	382.00
3/4"	3/4" CPVC, ASSE 1070	34-ZW1070XLCPVC	343.00
ZW1070XLPEX: SUPPLIED WITH THREE MALE PEX TAILPIECES AND UNION NUTS			
1/2"	1/2" PEX, ASSE 1070	12-ZW1070XLPEX	369.00
3/4"	3/4" PEX, ASSE 1070	34-ZW1070XLPEX	343.00
ZW1070XLCOMP: SUPPLIED WITH THREE COMPRESSION TAILPIECES AND UNION NUTS			
3/8"	3/8" Compression, ASSE 1070	38-ZW1070XLCOMP	379.00

ZW3870XLT AND ZW3870XLT-4P – THERMOSTATIC MIXING VALVE (ASSE 1070 POINT OF USE)



SIZE	INLET X OUTLET CONNECTIONS / OPTIONS	LEAD-FREE PART NUMBER	LEAD-FREE LIST PRICE EA.
ZW3870XLT			
3/8"	3/8" Compression, ASSE 1070, 3 Port	38-ZW3870XLT	191.00
3/8"	3/8" Compression, ASSE 1070, 4 Port	38-ZW3870XLT-4P	215.00

APPLICATIONS

Designed to be installed with 3/8" point of use applications (residential and light commercial installations) to mix hot and cold water from the distribution system to a final safer temperature.

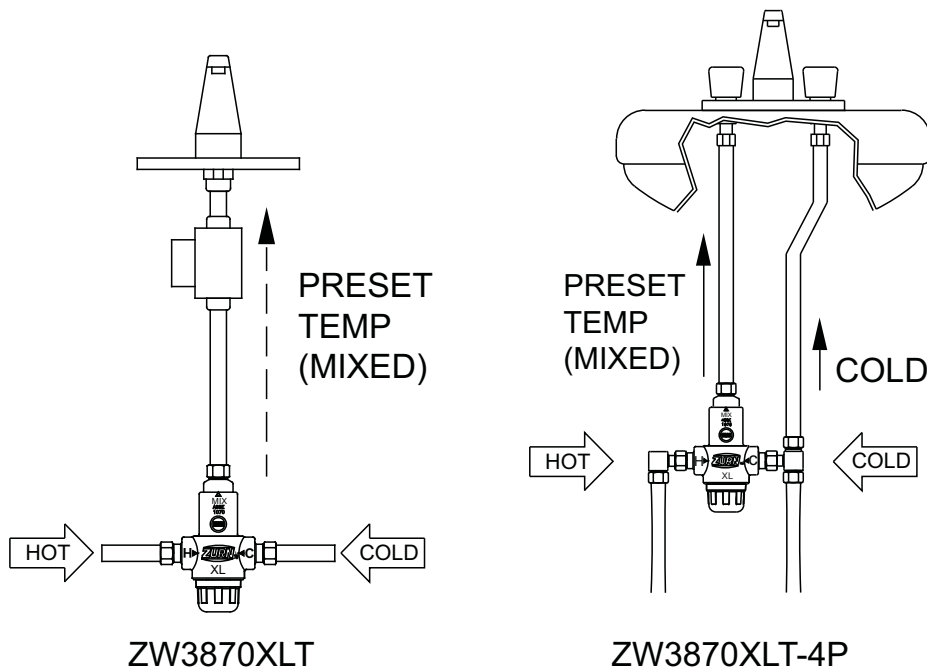
FEATURES

- 3/8" Compression
- Flow rate - 3.10 GPM @ 45 psi pressure loss
- Outlet temperature range: 95 - 115°F (35 - 46°C)
- Set temperature accuracy: ±3°F (1.78°C)
- Minimum flow rate: 0.35 GPM
- -4P option allows cold water bypass for dual handle sinks
- Integral check valves
- Includes wall clamp

APPROVALS AND APPLICABLE STANDARDS

- Certified to ASSE 1070, CSA® Certified, IAPMO® Listed
- Certified to NSF/ANSI 61 and 372

TYPICAL INSTALLATION



THERMOSTATIC MIXING VALVES ACCESSORIES

TPKXL SERIES – TAILPIECE KITS



APPLICATIONS

Designed for connection in different types of plumbing systems, to install pressure reducing valves (regulators) and thermostatic mixing valves. Available in a variety of sizes and end connections.

FEATURES

- 3/8" - 1"
- Configurations include male NPT, female NPT, female copper sweat, male copper sweat, PEX barb, CPVC, compression, Z-Bite™ push type, Z-Press™ press type, and extended retrofit options
- Cast brass union nut
- EPDM gasket

ACCESSORIES

- TMV-3 – CBNP Wall Access Cover

SIZE	INLET X OUTLET CONNECTIONS / OPTIONS	LEAD-FREE PART NUMBER	LEAD-FREE LIST PRICE EA.
TPKXL: NPT CONNECTIONS			
1/2" x 3/4"	1/2" Female NPT x 3/4" Union	12X34-TPKXL	22.00
3/4"	Female NPT Union	34-TPKXL	19.00
3/4"	Male NPT Union	34-TPKXLM	37.00
TPKXLS: NPT CONNECTIONS WITH STAINLESS STEEL STRAINER			
1/2" x 3/4"	1/2" Female NPT x 3/4" Union, SS Strainer	12X34-TPKXLS	24.00
3/4"	Female NPT Union, SS Strainer	34-TPKXLS	21.00
3/4"	Male NPT Union, SS Strainer	34-TPKXLSMS	40.00
TPKXLC: COPPER SWEAT CONNECTIONS			
1/2" x 3/4"	1/2" Female CU SWT x 3/4" Union	12X34-TPKXLC	29.00
3/4"	Female CU SWT Union	34-TPKXLC	21.00
1" x 3/4"	1" Female CU SWT x 3/4" Union	1X34-TPKXLC	28.00
TPKXCLS: COPPER SWEAT CONNECTIONS WITH STAINLESS STEEL STRAINER			
1/2" x 3/4"	1/2" Female CU SWT x 3/4" Union, SS Strainer	12X34-TPKXCLS	32.00
3/4"	Female CU SWT Union, SS Strainer	34-TPKXCLS	21.00
1" x 3/4"	1" Female CU SWT x 3/4" Union, SS Strainer	1X34-TPKXCLS	28.00
TPKCPVC: CPVC CONNECTIONS			
1/2" x 3/4"	1/2" CPVC, 3/4" Union	12X34-TPKCPVC	26.00
3/4"	CPVC Union	34-TPKCPVC	16.00
TPKCPVCS: CPVC CONNECTIONS WITH STAINLESS STEEL STRAINER			
1/2" x 3/4"	1/2" CPVC x 3/4" Union, SS Strainer	12X34-TPKCPVCS	28.00
3/4"	CPVC Union, SS Strainer	34-TPKCPVCS	18.00
TPKXLPX: PEX UNION TAILPIECE KIT			
1/2" x 3/4"	1/2" PEX x 3/4" Union	12X34-TPKXLPX	22.00
3/4"	PEX Union	34-TPKXLPX	19.00
TPKXLCOMP: COMPRESSION UNION TAILPIECE KIT			
3/8" x 3/4"	3/8" Compression x 3/4" Union	38X34-TPKXLCOMP	29.00
TPKXLPF: Z-BITE™ PUSH-TYPE SOLDERLESS TAILPIECE KIT			
1/2" x 3/4"	1/2" Push Fitting x 3/4" Union	12X34-TPKXLPF	24.00
1/2" x 3/4"	1/2" Push Fitting x 3/4" Union, SS Screen	12X34-TPKXLPFS	33.00
3/4"	3/4" Push Fitting x Union	34-TPKXLPF	32.00
TPKXLPR: Z-PRESS™ PRESS-TYPE SOLDERLESS TAILPIECE KIT			
3/4"	3/4" Press Fitting x Union	34-TPKXLPR	29.00
MISC. OPTIONS			
3/8"	Thermostatic Mixing Valve 3/8" Compression 4 Port Elbow Tee Kit	ZW3870XLT-4P-KIT	69.00

RELIEF VALVES

Protecting sensitive equipment from over-pressurizing and high temperatures is accomplished with relief valves. The Zurn Wilkins pressure and temperature, and pressure relief valves are the perfect choice against excessive line pressure and high temperatures.

TP1100A SERIES – RESIDENTIAL TEMPERATURE AND PRESSURE VALVE	106
TP220 SERIES – COMMERCIAL TEMPERATURE AND PRESSURE VALVE	106
TP3000 SERIES – COMMERCIAL TEMPERATURE AND PRESSURE VALVE	107
P1000AXL SERIES – PRESSURE RELIEF VALVE	108
P3000BR SERIES – PRESSURE RELIEF VALVE	108
P3000CI SERIES – PRESSURE RELIEF VALVE	109
P1500XL SERIES – CALIBRATED PRESSURE RELIEF VALVE	109
P1520XL SERIES – THERMAL EXPANSION PRESSURE RELIEF VALVE	110
P1550XL SERIES – THERMAL EXPANSION PRESSURE RELIEF VALVE	110

TP1100A SERIES – RESIDENTIAL TEMPERATURE AND PRESSURE VALVE



APPROVALS AND APPLICABLE STANDARDS

- CSA Compliance to ANSI Z21.22/CSA 4.4
- Certified to ASME Section IV by National Board

ACCESSORIES

- Expansion tank (Model XT)
- Water pressure reducing valve (Model NR3XL)
- Vacuum relief valve (Model VR10XL)
- Expansion control ball valves (Model BVECLX)

TYPICAL INSTALLATION

For Installation Drawing Please See Page Number 107

APPLICATIONS

Designed for installation on residential water heaters to protect against over-temperature or excessive pressure.

FEATURES

- 3/4"
- Relieving pressure 150 psi, also available in 75 and 125 psi
- Relieving temperature 210°F
- Exposed probe is protected with an electrostatic epoxy coating
- Male NPT inlet, female NPT outlet

SIZE	INLET X OUTLET CONNECTIONS / OPTIONS	LEAD-FREE EXEMPT PART NUMBER	LEAD-FREE EXEMPT LIST PRICE EA.
TP1100A: MNPT X FNPT			
3/4"	2" Probe, Set at 150	TP1100A-2C-150C	33.00
3/4"	4" Probe, Set at 75	TP1100A-4C-75C	33.00
3/4"	4" Probe, Set at 125	TP1100A-4C-125C	33.00
3/4"	4" Probe, Set at 150	TP1100A-4C-150C	33.00
3/4"	8" Probe, Set at 150	TP1100A-8C-150C	40.00
TP1100AE: MNPT X FNPT, EXTENDED SHANK			
3/4"	3" Probe, Set at 150	TP1100AE-3C-150C	35.00
TP1100AEE: MNPT X FNPT, EXTRA EXTENDED SHANK			
3/4"	3" Probe, Set at 150	TP1100AEE-3C-150C	87.00

TP220 SERIES – COMMERCIAL TEMPERATURE AND PRESSURE VALVE



APPROVAL AND APPLICABLE STANDARDS

- CSA Compliance to ANSI Z21.22/CSA 4.4
- Certified to ASME Section IV by National Board

ACCESSORIES

- Expansion tank (Model WXTP or XT)
- Water pressure reducing valve (Model NR3XL)
- Vacuum relief valve (Model VR10XL)
- Expansion control ball valves (Model BVECLX)

TYPICAL INSTALLATION

For Installation Drawing Please See Page Number 107

APPLICATIONS

Designed for installation on commercial water heaters to protect against over-temperature or excessive pressure.

FEATURES

- 3/4"
- Relieving pressure 150 psi, also available in 125 psi
- Relieving temperature 210°F
- Probe is protected with an electrostatic epoxy coating
- Available with male NPT inlet (male standard)
- Female NPT outlet

SIZE	INLET X OUTLET CONNECTIONS / OPTIONS	LEAD-FREE EXEMPT PART NUMBER	LEAD-FREE EXEMPT LIST PRICE EA.
TP220: MNPT X FNPT			
3/4"	5" Probe, Set at 125	TP220-5C-125C	254.00
3/4"	5" Probe, Set at 150	TP220-5C-150C	254.00
3/4"	8" Probe, Set at 150	TP220-8C-150C	255.00

TP3000 SERIES – COMMERCIAL TEMPERATURE AND PRESSURE VALVE



APPROVALS AND APPLICABLE STANDARDS

- CSA Compliance to ANSI Z21.22/CSA 4.4
- Certified to ASME Section IV by National Board

ACCESSORIES

- Expansion tank (Model WXTP)
- Water pressure reducing valve (Model NR3XL)
- Vacuum relief valve (Model VR10XL)
- Expansion control ball valves (Model BVECLX)

TYPICAL INSTALLATION

For Installation Drawing Please See Below

APPLICATIONS

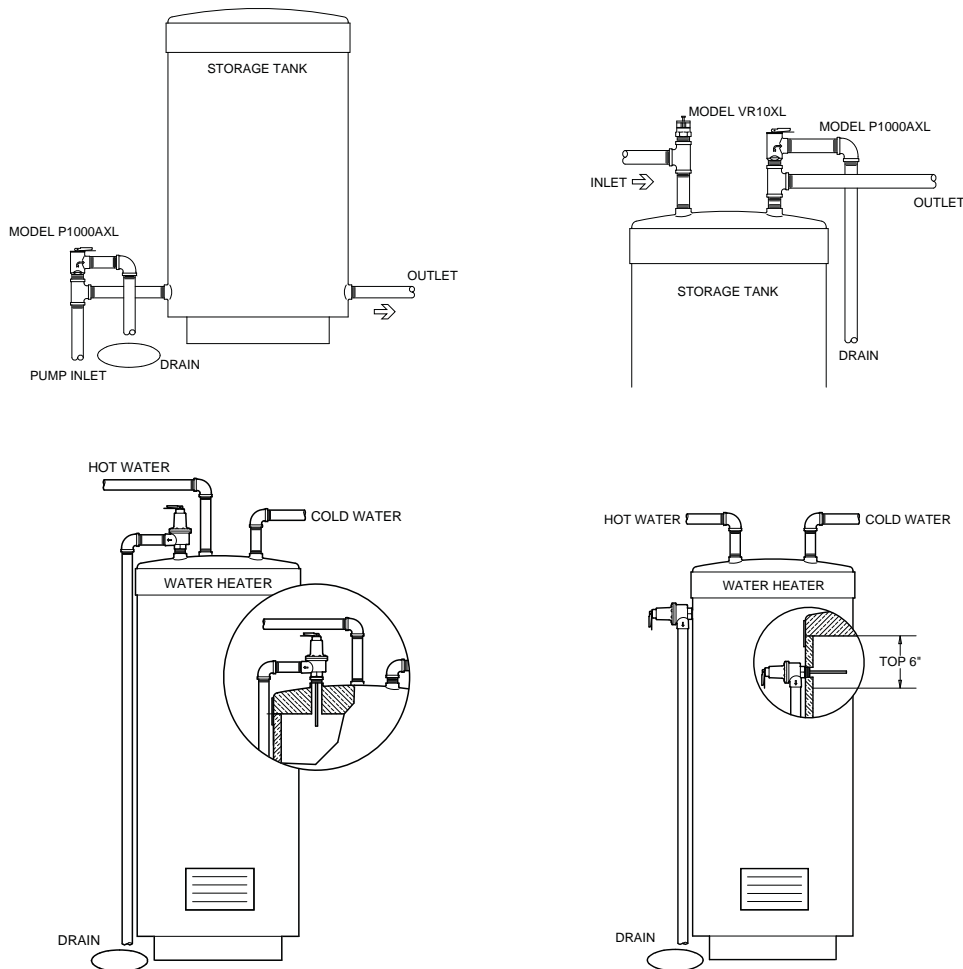
Designed for installation on commercial water heaters to protect against over-temperature or excessive pressure.

FEATURES

- 1"
- Relieving pressure 150 psi (standard), available in 75, 100, and 125 psi
- Relieving temperature 210°F
- Probe is protected with an electrostatic epoxy coating
- Female NPT inlet and outlet

SIZE	INLET X OUTLET CONNECTIONS / OPTIONS	LEAD-FREE EXEMPT PART NUMBER	LEAD-FREE EXEMPT LIST PRICE EA.
TP3000: FNPT X FNPT			
1"	5" Probe, Set at 75	TP3000-5C-75C	354.00
1"	5" Probe, Set at 100	TP3000-5C-100C	354.00
1"	5" Probe, Set at 125	TP3000-5C-125C	354.00
1"	5" Probe, Set at 150	TP3000-5C-150C	354.00
1"	8" Probe, Set at 125	TP3000-8C-125C	355.00
1"	8" Probe, Set at 150	TP3000-8C-150C	355.00

TP1000A/TP220/TP3000/P1000AXL/P3000BR/P3000CI SERIES -- TYPICAL INSTALLATION DRAWING



For additional product information, please visit www.zurn.com.

P1000AXL SERIES – PRESSURE RELIEF VALVE



APPROVALS AND APPLICABLE STANDARDS

- CSA Compliance to ANSI Z21.22/CSA 4.4
- Certified to ASME Section IV by National Board

ACCESSORIES

- Expansion tank (Model WXTP & XT)
- Water pressure reducing valve (Model NR3XL)
- Vacuum relief valve (Model VR10XL)
- Expansion control ball valves (Model BVECXL)

TYPICAL INSTALLATION

For Installation Drawing Please See Page Number 107

APPLICATIONS

Designed for installation on potable water systems and storage tanks to protect against excessive pressure.

FEATURES

- 3/4"
- Available in 30, 75, 125, and 150 psi settings (150 psi standard)
- Male NPT inlet, female NPT outlet

SIZE	INLET X OUTLET CONNECTIONS / OPTIONS	LEAD-FREE PART NUMBER	LEAD-FREE LIST PRICE EA.
P1000AXL: MNPT X FNPT			
3/4"	Set at 30	P1000AXL-30C	32.00
3/4"	Set at 75	P1000AXL-75C	32.00
3/4"	Set at 125	P1000AXL-125C	32.00
3/4"	Set at 150	P1000AXL-150C	32.00

P3000BR SERIES – PRESSURE RELIEF VALVE



APPROVALS AND APPLICABLE STANDARDS

- ASME listed and rated

ACCESSORIES

- Expansion tank (Model WXTP or WTTA)
- Water pressure reducing valve (Model 80CI)
- Backflow preventer (Model 760)

TYPICAL INSTALLATION

For Installation Drawing Please See Page Number 107

APPLICATIONS

Designed for use on hot water space heating boilers, water supply heaters and storage tanks. These valves are designed for use on hot water service only and are not to be used for steam.

FEATURES

- 3/4" - 2"
- Available with factory pressure relief settings of 30, 50, 75, 100, 125, 150 psi
- High capacity pressure-only relief valve
- Bronze body construction
- Pop-type design provides full opening as soon as pressure under the seat reaches the valve's pressure setting
- Female inlet and outlet

SIZE	INLET X OUTLET CONNECTIONS / OPTIONS	LEAD-FREE EXEMPT PART NUMBER	LEAD-FREE EXEMPT LIST PRICE EA.
P3000BR: FNPT X FNPT, BRONZE BODY, 30 PSI RELIEF SETTING			
3/4"		34-P3000BR-30	264.00
1"		1-P3000BR-30	560.00
1-1/4"		114-P3000BR-30	885.00
1-1/2"		112-P3000BR-30	1224.00
2"		2-P3000BR-30	1768.00
P3000BR AVAILABLE PRESSURE RELIEF OPTIONS			
3/4" - 2"	30, 50, 75, 100, 125, 150 psi options		No Charge
<i>Part number will be designated using 30, 50, 60, 75, 100, 125, 150. (e.g. 34-P3000BR-50, 114-P3000BR-100, 2-P3000BR-150).</i>			

P3000CI SERIES – PRESSURE RELIEF VALVE



APPLICATIONS

Designed for pressure protection for commercial/ industrial OEM boilers and hot water heating system applications. These valves are designed for use on hot water service only and not to be used for steam.

FEATURES

- 3/4" x 1", 1" x 1-1/4", 1-1/4" x 1-1/2", 1-1/2" x 2", 2" x 2-1/2"
- Available with factory pressure relief settings of 30, 50, 75 psi
- Expanded outlet water safety relief valve
- Cast iron body construction
- Female inlet and outlet

APPROVALS AND APPLICABLE STANDARDS

- ASME listed and rated

ACCESSORIES

- Expansion tank (Model WXT or WTTA)
- Water pressure reducing valve (Model 80CI)
- Backflow preventer (Model 760)

TYPICAL INSTALLATION

For Installation Drawing Please See Page Number 107

SIZE	INLET X OUTLET CONNECTIONS / OPTIONS	LEAD-FREE EXEMPT PART NUMBER	LEAD-FREE EXEMPT LIST PRICE EA.
P3000CI: CAST IRON, 30 PSI RELIEF SETTING			
3/4"	FNPT 3/4" x FNPT 1"	34-P3000CI-30	284.00
1"	FNPT 1" x FNPT 1-1/4"	1-P3000CI-30	490.00
1-1/4"	FNPT 1-1/4" x FNPT 1-1/2"	114-P3000CI-30	746.00
1-1/2"	FNPT 1-1/2" x FNPT 2"	112-P3000CI-30	1043.00
2"	FNPT 2" x FNPT 2-1/2"	2-P3000CI-30	1768.00
P3000CI AVAILABLE PRESSURE RELIEF OPTIONS			
3/4" - 2"	30, 50, 75 psi options		No Charge
<i>Part number will be designated using 30, 50, 75. (e.g. 34-P3000CI-30, 114-P3000CI-50, 2-P3000CI-75).</i>			

P1500XL SERIES – CALIBRATED PRESSURE RELIEF VALVE



APPLICATIONS

Designed for installation on cold water service lines as a means of protection against excessive pressure buildup. These devices are for pressure only and should be used in conjunction with other temperature limiting devices. Also suitable for static relief, low capacity pump relief, passive solar, thermal expansion relief and other similar uses in commercial and industrial applications.

FEATURES

- 1/2", 3/4"
- Calibrated adjustments from 25 to 175 psi
- All bronze body
- Scale permanently etched on stem
- Male NPT inlet, female NPT outlet

APPROVALS AND APPLICABLE STANDARDS

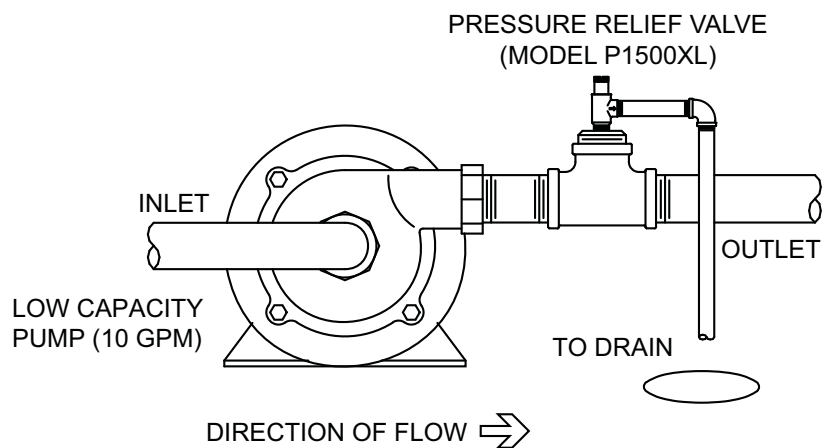
- Certified to NSF/ANSI 372

ACCESSORIES

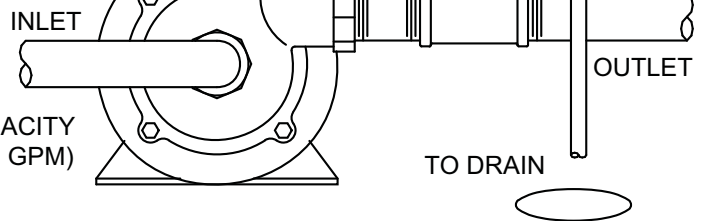
- Water Pressure Reducing Valve (Model NR3XL)
- Vacuum Relief Valve (Model VR10XL)

SIZE	INLET X OUTLET CONNECTIONS / OPTIONS	LEAD-FREE PART NUMBER	LEAD-FREE LIST PRICE EA.
P1500XL: CALIBRATED PRESSURE RELIEF VALVE			
1/2"	MNPT 1/2" x FNPT 1/2"	12-P1500XL	104.00
3/4"	MNPT 3/4" x FNPT 1/2"	34-P1500XL	109.00

TYPICAL INSTALLATION



PRESSURE RELIEF VALVE
(MODEL P1500XL)



DIRECTION OF FLOW →

P1520XL SERIES – THERMAL EXPANSION PRESSURE RELIEF VALVE



ACCESSORIES

- Water pressure reducing valve (Model NR3XL)
- Vacuum relief valve (Model VR10XL)

SIZE	INLET X OUTLET CONNECTIONS / OPTIONS	LEAD-FREE PART NUMBER	LEAD-FREE LIST PRICE EA.
P1520XL: THERMAL EXPANSION PRESSURE RELIEF VALVE			
1/2"	MNPT 1/2" x FNPT 1/2", Set at 50	12-P1520XL-50	95.00
1/2"	MNPT 1/2" x FNPT 1/2", Set at 75	12-P1520XL-75	95.00
1/2"	MNPT 1/2" x FNPT 1/2", Set at 100	12-P1520XL-100	95.00
1/2"	MNPT 1/2" x FNPT 1/2", Set at 125	12-P1520XL-125	95.00
3/4"	MNPT 3/4" x FNPT 1/2", Set at 50	34-P1520XL-50	95.00
3/4"	MNPT 3/4" x FNPT 1/2", Set at 75	34-P1520XL-75	95.00
3/4"	MNPT 3/4" x FNPT 1/2", Set at 100	34-P1520XL-100	95.00
3/4"	MNPT 3/4" x FNPT 1/2", Set at 125	34-P1520XL-125	95.00

APPLICATIONS

Designed for installation on cold water service lines as a means of protection against excessive pressure buildup. These devices are for pressure only and should be used in conjunction with other temperature limiting devices. Also suitable for static relief, low capacity pump relief, passive solar, thermal expansion relief and other similar uses in commercial and industrial applications.

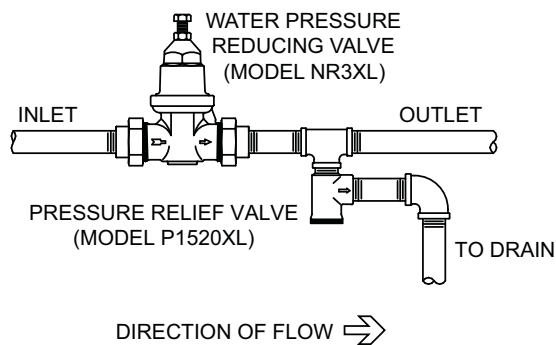
FEATURES

- 1/2", 3/4"
- Pressure settings 50, 75, 100 or 125 psi
- High capacity pressure relief valve
- All bronze body
- Male NPT inlet, female NPT outlet

APPROVALS AND APPLICABLE STANDARDS

- Certified to NSF/ANSI 372

TYPICAL INSTALLATION



P1550XL SERIES – THERMAL EXPANSION PRESSURE RELIEF VALVE



ACCESSORIES

- Water pressure reducing valve (Model NR3XL)
- Vacuum relief valve (Model VR10XL)

SIZE	INLET X OUTLET CONNECTIONS / OPTIONS	LEAD-FREE PART NUMBER	LEAD-FREE LIST PRICE EA.
P1550XL: THERMAL EXPANSION PRESSURE RELIEF VALVE			
1/2"	MNPT 1/2" x FNPT 1/2", Set at 75	12-P1550XL-75	48.00
1/2"	MNPT 1/2" x FNPT 1/2", Set at 125	12-P1550XL-125	48.00
3/4"	MNPT 3/4" x FNPT 1/2", Set at 75	34-P1550XL-75	55.00
3/4"	MNPT 3/4" x FNPT 1/2", Set at 125	34-P1550XL-125	55.00

APPLICATIONS

Designed for installation on cold water service lines as a means of protection against excessive pressure buildup. These devices are for pressure only and should be used in conjunction with other temperature limiting devices. Also suitable for static relief, low capacity pump relief, passive solar, thermal expansion relief and other similar uses in commercial and industrial applications.

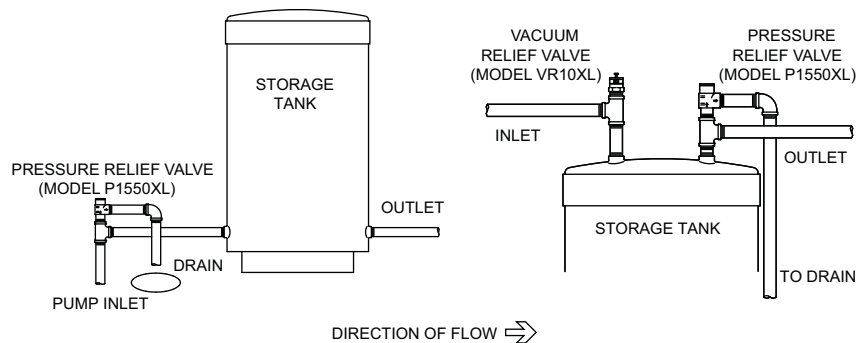
FEATURES

- 1/2", 3/4"
- For pressure relief only
- Pressure settings 75 or 125 psi
- Male NPT inlet, female NPT outlet

APPROVALS AND APPLICABLE STANDARDS

- Certified to NSF/ANSI 372

TYPICAL INSTALLATION



MISCELLANEOUS PLUMBING PRODUCTS

Zurn Wilkins offers a variety of plumbing accessories, such as thermal expansion tanks and water hammer arresters to ensure a complete plumbing system solution.

XT SERIES – POTABLE WATER EXPANSION TANK	112
WXTP SERIES – POTABLE WATER EXPANSION TANK	112
WTTA SERIES – ASME THERMAL EXPANSION TANK	113
HXT SERIES – HYDRONIC EXPANSION TANK	113
BVECXL SERIES – WATER HEATER SHUT-OFF VALVE WITH INTEGRAL THERMAL EXPANSION RELIEF VALVE	114
1260XL SERIES – WATER HAMMER ARRESTERS	115
25 SERIES – PRESSURE GAUGE	115
VR10XL SERIES – VACUUM RELIEF VALVE	116
DUXL SERIES – DIELECTRIC UNIONS	117
DUXLC SERIES – DIELECTRIC UNIONS	117
DUXLM SERIES – DIELECTRIC UNIONS	117
DUBI SERIES – DIELECTRIC UNIONS	118

XT SERIES – POTABLE WATER EXPANSION TANK

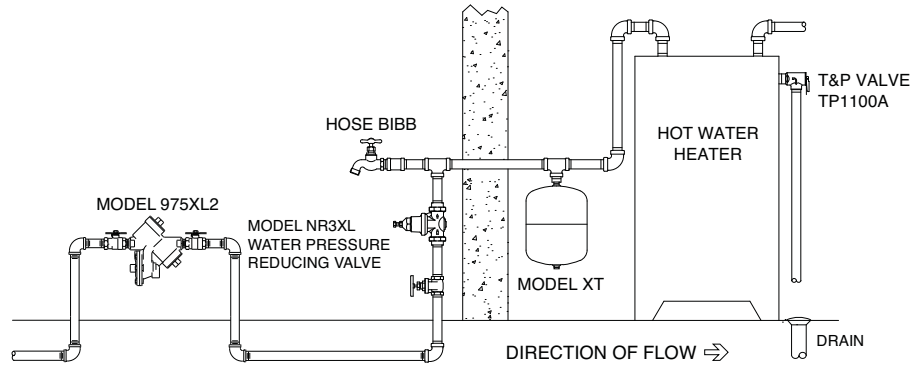


APPROVALS AND APPLICABLE STANDARDS

- IAPMO® Listed
- Certified to NSF/ANSI 61 and 372

SIZE (GAL)	LEAD-FREE PART NUMBER	LEAD-FREE LIST PRICE EA.
XT: POTABLE WATER EXPANSION TANK, 3/4" MNPT		
2.1	XT-8	124.00
4.8	XT-18	182.00
9.0	XT-35	431.00

TYPICAL INSTALLATION



APPLICATIONS

Designed for installation on potable water lines between the backflow preventer or pressure reducing valve and the water heater to protect against water thermal expansion.

FEATURES

- 2.1 gal. – 9.0 gal.
- 80 psi max supply pressure, factory air pre-charge – 40 psi
- 200°F max
- Diaphragm type expansion tank for water heaters
- Polypropylene lined water chamber

WXTP SERIES – POTABLE WATER EXPANSION TANK

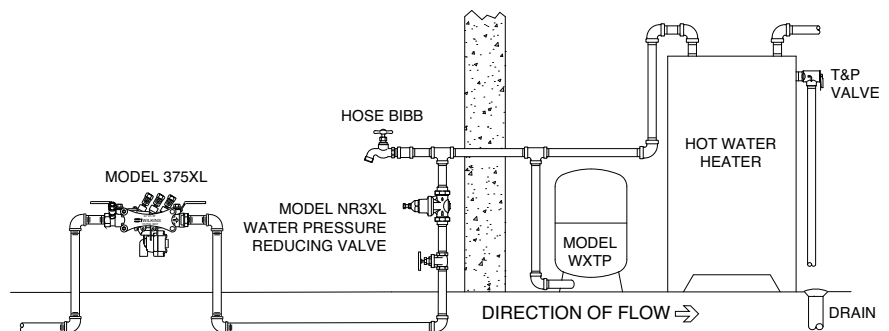


APPROVALS AND APPLICABLE STANDARDS

- IAPMO® Listed
- Certified to NSF/ANSI 61 and 372

SIZE (GAL)	LEAD-FREE PART NUMBER	LEAD-FREE LIST PRICE EA.
WXTP: POTABLE WATER EXPANSION TANK, 1" FNPT		
14	WXTP-50V	622.00
20	WXTP-75V	741.00
32	WXTP-120V	954.00
WXTP: POTABLE WATER EXPANSION TANK, 1 1/4" FNPT		
44	WXTP-165V	1,255.00
85	WXTP-320V	1,727.00

TYPICAL INSTALLATION



APPLICATIONS

Designed for installation on potable water lines between the backflow preventer or pressure reducing valve and the water heater to protect against water thermal expansion.

FEATURES

- 14 gal. – 85 gal.
- 80 psi max supply pressure, factory air pre-charge – 40 psi
- 200°F max
- Bladder type expansion tank for water heaters
- Free standing base mounted
- 5 year warranty

WTТА SERIES – ASME THERMAL EXPANSION TANK



APPLICATIONS

Designed for installation on hot water systems to protect against thermal expansion.

FEATURES

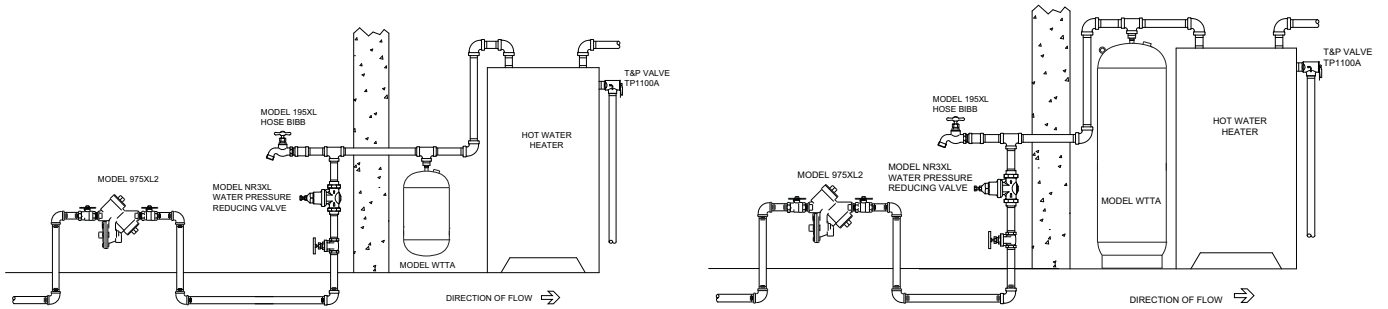
- 3.5 gal. – 90.0 gal.
- 80 psi max supply pressure, factory air pre-charge – 40 psi
- 240°F max
- Fixed bladder type for commercial and industrial applications

APPROVALS AND APPLICABLE STANDARDS

- ASME Section VIII

SIZE (GAL)	LEAD-FREE PART NUMBER	LEAD-FREE LIST PRICE EA.
WTТА: ASME THERMAL EXPANSION TANK, 3/4" FNPT		
3.5	WTТА-5	2,621.00
5.0	WTТА-12	3,017.00
8.0	WTТА-20	3,354.00
WTТА: ASME THERMAL EXPANSION TANK, 1" FNPT		
15.0	WTТА-30	3,783.00
22.0	WTТА-42	4,040.00
26.0	WTТА-60	4,922.00
35.0	WTТА-80	5,222.00
45.0	WTТА-100	5,907.00
60.0	WTТА-125	6,593.00
WTТА: ASME THERMAL EXPANSION TANK, 1½" FNPT		
70.0	WTТА-160	7,276.00
80.0	WTТА-180	7,960.00
90.0	WTТА-210	8,355.00

TYPICAL INSTALLATION

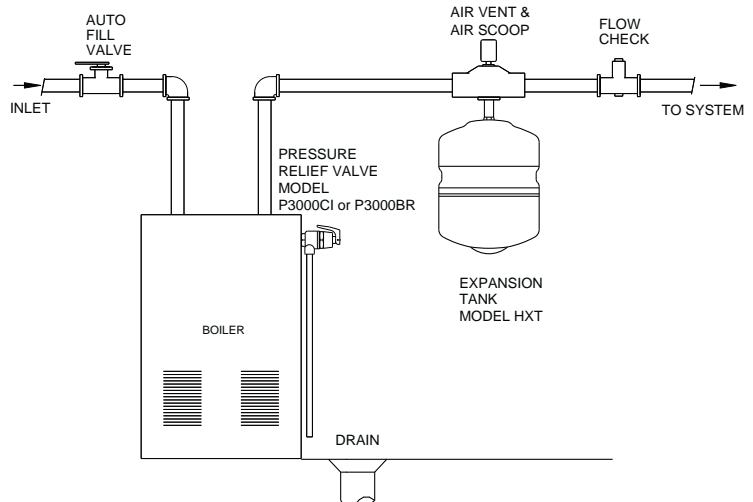


HXT SERIES – HYDRONIC EXPANSION TANK



SIZE (GAL)	LEAD-FREE EXEMPT PART NUMBER	LEAD-FREE EXEMPT LIST PRICE EA.
HXT: HYDRONIC EXPANSION TANK, 1/2" MNPT		
2.1	HXT-15	147.00
5.0	HXT-30	216.00
6.5	HXT-60	418.00
HXT: HYDRONIC EXPANSION TANK, 1/2" MNPT		
13.5	HXT-90	664.00

TYPICAL INSTALLATION



APPLICATIONS

Designed for installation on residential and commercial hydronic heating and cooling systems as a means of pressure control due to thermal expansion.

FEATURES

- 2.1 gal. – 13.5 gal.
- 150 psi max, factory air pre-charge – 12 psi
- 210°F max

BVECXL SERIES - WATER HEATER SHUT-OFF VALVE WITH INTEGRAL THERMAL EXPANSION RELIEF VALVE



APPLICATIONS

The Zurn Wilkins BVECXL series was designed to solve the need for a water heater shut-off and thermal expansion control relief valve in a single unit.

FEATURES

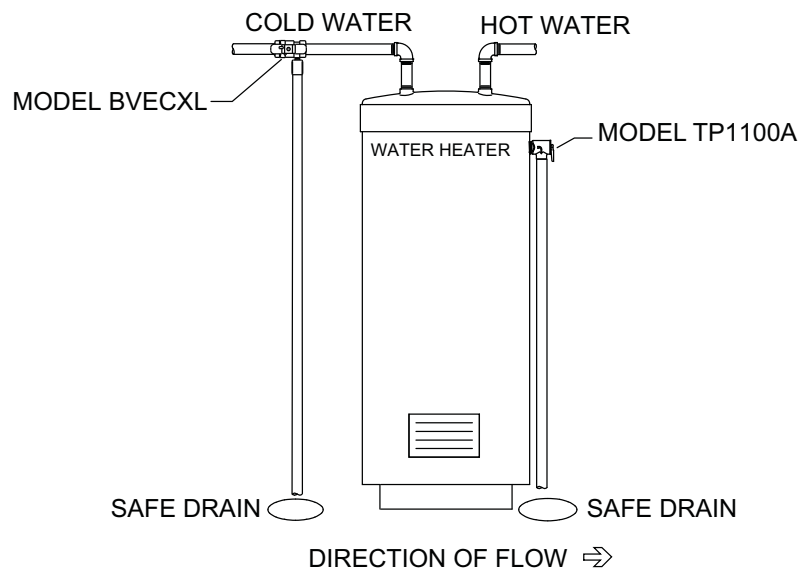
- Available in 3/4" with 3/8" or 1/2" drain line connections (refer to price list)
- 210°F max
- Relief valve settings of 80, 100, and 125 psi

APPROVALS AND APPLICABLE STANDARDS

- IAPMO® Listed
- Certified to NSF/ANSI 372

SIZE	CONNECTIONS / OPTIONS	LEAD-FREE PART NUMBER	LEAD-FREE LIST PRICE EA.
BVECXL: FNPT INLET AND OUTLET CONNECTIONS			
3/4"	3/4" FNPT x 3/4" FNPT, 1/8" FNPT Drain, 80 psi	34-BVECXL-80	162.00
3/4"	3/4" FNPT x 3/4" FNPT, 1/8" FNPT Drain, 100 psi	34-BVECXL-100	162.00
3/4"	3/4" FNPT x 3/4" FNPT, 1/8" FNPT Drain, 125 psi	34-BVECXL-125	162.00
3/4"	3/4" FNPT x 3/4" FNPT, 3/8" Hose Barb Drain, 80 psi	34-BVECXL-80BF	162.00
3/4"	3/4" FNPT x 3/4" FNPT, 3/8" Hose Barb Drain, 100 psi	34-BVECXL-100BF	162.00
3/4"	3/4" FNPT x 3/4" FNPT, 3/8" Hose Barb Drain, 125 psi	34-BVECXL-125BF	162.00
3/4"	3/4" FNPT x 3/4" FNPT, 3/8" Compression Drain, 80 psi	34-BVECXL-80CF	162.00
3/4"	3/4" FNPT x 3/4" FNPT, 3/8" Compression Drain, 100 psi	34-BVECXL-100CF	162.00
3/4"	3/4" FNPT x 3/4" FNPT, 3/8" Compression Drain, 125 psi	34-BVECXL-125CF	162.00
3/4"	3/4" FNPT x 3/4" FNPT, 1/2" PEX Drain, 80 psi	34-BVECXL-80-PEX	162.00
3/4"	3/4" FNPT x 3/4" FNPT, 1/2" PEX Drain, 100 psi	34-BVECXL-100-PEX	162.00
3/4"	3/4" FNPT x 3/4" FNPT, 1/2" PEX Drain, 125 psi	34-BVECXL-125-PEX	162.00
BVECXLC: COPPER SWEAT INLET AND OUTLET CONNECTIONS			
3/4"	3/4" FCU SWT x 3/4" FCU SWT, 1/8" FNPT Drain, 80 psi	34-BVECXLC-80	162.00
3/4"	3/4" FCU SWT x 3/4" FCU SWT, 1/8" FNPT Drain, 100 psi	34-BVECXLC-100	162.00
3/4"	3/4" FCU SWT x 3/4" FCU SWT, 1/8" FNPT Drain, 125 psi	34-BVECXLC-125	162.00
3/4"	3/4" FCU SWT x 3/4" FCU SWT, 3/8" Hose Barb Drain, 80 psi	34-BVECXLC-80BF	162.00
3/4"	3/4" FCU SWT x 3/4" FCU SWT, 3/8" Hose Barb Drain, 100 psi	34-BVECXLC-100BF	162.00
3/4"	3/4" FCU SWT x 3/4" FCU SWT, 3/8" Hose Barb Drain, 125 psi	34-BVECXLC-125BF	162.00
3/4"	3/4" FCU SWT x 3/4" FCU SWT, 3/8" Compression Drain, 80 psi	34-BVECXLC-80CF	162.00
3/4"	3/4" FCU SWT x 3/4" FCU SWT, 3/8" Compression Drain, 100 psi	34-BVECXLC-100CF	162.00
3/4"	3/4" FCU SWT x 3/4" FCU SWT, 3/8" Compression Drain, 125 psi	34-BVECXLC-125CF	162.00
3/4"	3/4" FCU SWT x 3/4" FCU SWT, 1/2" PEX Drain, 80 psi	34-BVECXLC-80-PEX	162.00
3/4"	3/4" FCU SWT x 3/4" FCU SWT, 1/2" PEX Drain, 100 psi	34-BVECXLC-100-PEX	162.00
3/4"	3/4" FCU SWT x 3/4" FCU SWT, 1/2" PEX Drain, 125 psi	34-BVECXLC-125-PEX	162.00
BVECXLPEX: PEX INLET AND OUTLET CONNECTIONS			
3/4"	3/4" PEX x 3/4" PEX, 3/8" Compression Drain, 125 psi	34-BVECXLPEX-125CF	162.00
3/4"	3/4" PEX x 3/4" PEX, 1/2" PEX Drain, 80 psi	34-BVECXLPEX-80-PEX	162.00
3/4"	3/4" PEX x 3/4" PEX, 1/2" PEX Drain, 100 psi	34-BVECXLPEX-100-PEX	162.00
3/4"	3/4" PEX x 3/4" PEX, 1/2" PEX Drain, 125 psi	34-BVECXLPEX-125-PEX	162.00

TYPICAL INSTALLATION



1260XL SERIES – WATER HAMMER ARRESTERS



APPLICATIONS

Designed to protect residential, commercial and industrial water lines against over-pressure during surges following quick valve closure.

FEATURES

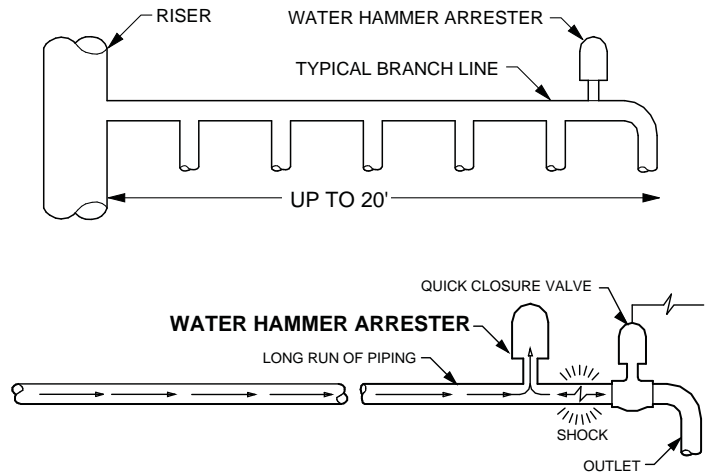
- Capacities A – F
- 200 psi max static pressure
- 212°F max
- Compact design allows installation in 2 x 4 wall cavities

APPROVALS AND APPLICABLE STANDARDS

- ASSE® Listed 1010, ANSI A112.26.1
- Certified to NSF/ANSI 372

CONNECTION SIZE	CAPACITY	LEAD-FREE PART NUMBER	LEAD-FREE LIST PRICE EA.
1260XL: MNPT			
1/2"	PDI Size A	1260XL-A	66.00
3/4"	PDI Size B	1260XL-B	92.00
1"	PDI Size C	1260XL-C	205.00
1"	PDI Size D	1260XL-D	244.00
1"	PDI Size E	1260XL-E	350.00
1"	PDI Size F	1260XL-F	550.00

TYPICAL INSTALLATION



25 SERIES – PRESSURE GAUGE

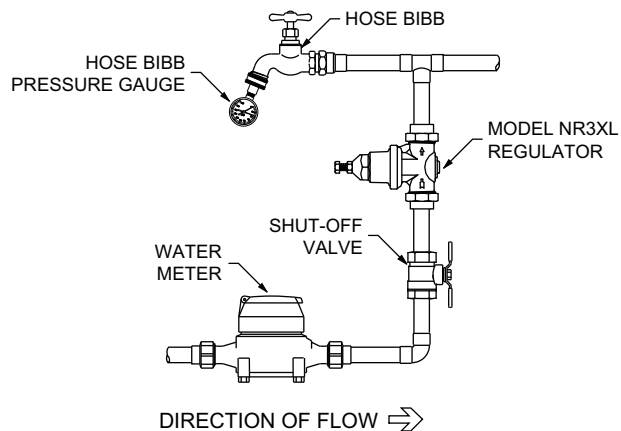


APPLICATIONS

The Zurn Wilkins HGI-25 is designed to measure the water pressure in a plumbing system.

SIZE	CONNECTIONS / OPTIONS	LEAD-FREE PART NUMBER	LEAD-FREE LIST PRICE EA.
25 SERIES: PRESSURE GAUGE			
1/8"	Pressure Gauge, 2" Dial, 0-100 psi, 1/8" MNPT	92-25A	64.00
1/4"	Pressure Gauge, 2" Dial, 0-100 psi, 1/4" MNPT	92-25	64.00
3/4"	Pressure Gauge, 2" Dial, 0 - 200psi, 3/4" Female Hose Bibb	HGI-25	47.00
1/4"	Pressure Gauge, 2-1/2" Dial, 0 - 300psi, 1/4" MNPT	2004-25-300	75.00
1/4"	Pressure Gauge, 3 1/2" Dial, 0 - 300psi, 1/4" MNPT	2010-25-300	91.00
1/4"	Pressure Gauge, UL/FM Listed, 3 1/2" Dial, 0 - 300psi, 1/4" MNPT	2005-25UL	240.00
1/8"	Pressure Gauge, Liquid Filled, 2-1/2" Dial, 0 - 300psi, 1/8" MNPT	2006-25LBP-300	163.00
1/4"	Pressure Gauge, Liquid Filled, 2-1/2" Dial, 0 - 300psi, 1/4" MNPT	2004-25L-300	281.00

TYPICAL INSTALLATION



For additional product information, please visit www.zurn.com.

VR10XL SERIES – VACUUM RELIEF VALVE



SIZE	CONNECTIONS / OPTIONS	LEAD-FREE PART NUMBER	LEAD-FREE LIST PRICE EA.
VR10XL: VACUUM RELIEF VALVE			
1/2"	1/2" MNPT	12-VR10XL	76.00
3/4"	3/4" MNPT	34-VR10XL	79.00

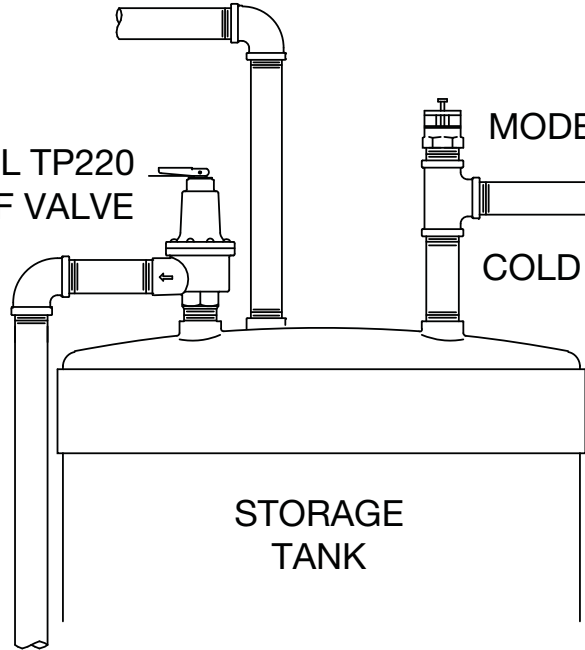
TYPICAL INSTALLATION

HOT WATER

MODEL TP220
RELIEF VALVE

MODEL VR10XL

COLD WATER



APPLICATIONS

Designed for commercial and residential water lines to protect water supply systems and pressure vessels against internal vacuum conditions that could drain a system by siphonage and possibly damage heating element or collapse storage tanks.

FEATURES

- 1/2", 3/4"
- 200 psi max
- 250°F max
- All brass body and cap
- Male inlet

APPROVALS AND APPLICABLE STANDARDS

- CSA Compliance to ANSI Z21.22/CSA 4.4
- Certified to NSF/ANSI 372

STORAGE
TANK

DUXL SERIES – DIELECTRIC UNIONS



DUXL



DUXLC



DUXLM

APPLICATIONS

Designed for installation on potable water lines to protect against piping system deterioration caused by galvanic and stray current corrosion. A dielectric fitting is necessary where dissimilar metals are used in piping systems. Used to connect brass pipe with iron pipe.

FEATURES

- 1/2" - 2"
- 250 psi max (threaded connections)
- 175 psi max (flange connections)
- 180°F max
- Female iron pipe x female brass pipe

APPROVALS AND APPLICABLE STANDARDS

- Certified to NSF/ANSI 372

SIZE	INLET X OUTLET CONNECTIONS / OPTIONS	LEAD-FREE PART NUMBER	LEAD-FREE LIST PRICE EA.
DUXL: FNPT X FNPT			
1/2"		12-DUXL	31.00
3/4"		34-DUXL	34.00
1"		1-DUXL	63.00
1-1/4"		114-DUXL	77.00
1-1/2"		112-DUXL	111.00
2"		2-DUXL	218.00

DUXLC SERIES – DIELECTRIC UNIONS

SIZE	INLET X OUTLET CONNECTIONS / OPTIONS	LEAD-FREE PART NUMBER	LEAD-FREE LIST PRICE EA.
DUXLC: FNPT X FEMALE CU SWT			
1/2"	1/2" FNPT x 1/2" Female CU SWT	12-DUXLC	15.00
3/4"	3/4" FNPT x 1/2" Female CU SWT	34-DUXL12C	16.00
3/4"	3/4" FNPT x 3/4" Female CU SWT	34-DUXLC	16.00
1"	1" FNPT x 1" Female CU SWT	1-DUXLC	22.00
1-1/4"	1 1/4" FNPT x 1 1/4" Female CU SWT	114-DUXLC	34.00
1-1/2"	1 1/2" FNPT x 1 1/2" Female CU SWT	112-DUXLC	51.00
2"	2" FNPT x 2" Female CU SWT	2-DUXLC	68.00
DUXLC: FNPT FLANGE X FEMALE CU SWT			
2-1/2"	2 1/2" FNPT Flange x 2 1/2" Female CU SWT	212-DUXLC	319.00
3"	3" FNPT Flange x 3" Female CU SWT	3-DUXLC	372.00

DUXLM SERIES – DIELECTRIC UNIONS

SIZE	INLET X OUTLET CONNECTIONS / OPTIONS	LEAD-FREE PART NUMBER	LEAD-FREE LIST PRICE EA.
DUXLM: MNPT X FEMALE CU SWT			
1/2"	1/2" MNPT x 1/2" Female CU SWT	12-DUXLM	22.00
3/4"	3/4" MNPT x 1/2" Female CU SWT	34-DUXLM12C	25.00
3/4"	3/4" MNPT x 3/4" Female CU SWT	34-DUXLM	23.00

DUBI SERIES – DIELECTRIC UNIONS



SIZE	INLET X OUTLET CONNECTIONS / OPTIONS	LEAD-FREE EXEMPT PART NUMBER	LEAD-FREE EXEMPT LIST PRICE EA.
DUBI: BLACK IRON, FNPT X FNPT			
1/2"	1/2" FNPT x 1/2" FNPT Black Iron	12-DUBI	22.00
3/4"	3/4" FNPT x 3/4" FNPT Black Iron	34-DUBI	24.00
1"	1" FNPT x 1" FNPT Black Iron	1-DUBI	31.00
1-1/4"	1 1/4" FNPT x 1 1/4" FNPT Black Iron	114-DUBI	44.00
1-1/2"	1 1/2" FNPT x 1 1/2" FNPT Black Iron	112-DUBI	68.00
2"	2" FNPT x 2" FNPT Black Iron	2-DUBI	96.00

APPLICATIONS

Designed to protect against piping system deterioration caused by galvanic and stray current corrosion. A dielectric fitting is necessary where dissimilar metals are used in piping systems. Primarily used on gas service.

FEATURES

- 1/2" - 2"
- 250 psi max
- 180°F max
- Female iron pipe x female iron pipe
- Black oxide coating for gas services

BACKFLOW PREVENTERS

BACKFLOW PREVENTERS ACCESSORIES

STRAINERS

AUTOMATIC CONTROL VALVES

PRESSURE REDUCING VALVES

FIRE PROTECTION VALVES

THERMOSTATIC MIXING VALVES

RELIEF VALVES

MISCELLANEOUS PLUMBING PRODUCTS

REPAIR KITS

REPAIR KITS

LARGE DIAMETER BACKFLOW PREVENTER REPAIR KITS	120
350/450 REPAIR KITS	120
375/475 REPAIR KITS	120
FIRST CHECK ASSEMBLY	120
SECOND CHECK ASSEMBLY	120
950/975 REPAIR KITS	121
BY-PASS VALVES FOR DETECTOR ASSEMBLIES REPAIR KITS	121
CHECK SEAT RETAINER	121
DOUBLE CHECK DETECTOR ASSEMBLY BYPASS REPLACEMENT KIT	121
RP DETECTOR ASSEMBLY BYPASS REPLACEMENT KIT	121
SMALL DIAMETER BACKFLOW PREVENTER REPAIR KITS	122
350XL/350 REPAIR KITS	122
375XL/375 REPAIR KITS	122
950XLT2/950XLT/950XL/950 REPAIR KITS	122
975XL2/975XL/975 REPAIR KITS	122
PRESSURE VACUUM BREAKER REPAIR KITS	123
420XL/420 REPAIR KITS	123
460XL/460 REPAIR KITS	123
720A REPAIR KITS	123
ATMOSPHERIC VACUUM BREAKER REPAIR KIT	123
DUAL CHECK ASSEMBLY REPAIR KITS	123
BALL VALVE HANDLE LOCKS	123
AUTOMATIC CONTROL VALVE REPAIR KITS	123
PRESSURE REDUCING VALVE REPAIR KITS	124
MISCELLANEOUS PARTS AND REPAIR KITS	124
QT/QTP – QUICK TEST BACKFLOW TEST FITTINGS	124
BVHD – BLUE STAINLESS STEEL BALL VALVE HANDLES WITH STAINLESS STEEL NUT	124
BVHDXL – GREEN STAINLESS STEEL BALL VALVE HANDLES WITH STAINLESS STEEL NUT	124
860XL – LEAD FREE TEST COCKS (SET)	124
860XLFT – LEAD FREE FAST-TEST COCKS WITH INTEGRAL SAE FITTINGS (SET)	124
860XL SERIES – BALL VALVE TEST COCKS (EACH)	125
RK-975TOOL – COMPLETE SET OF 950XL/975XL SEAT REMOVAL TOOLS	125
RK-BVTOOL – BALL VALVE HANDLE SOCKETS 3/4", 1", 1-1/4", 1-1/2", AND 2"	125
RPHBM REPAIR KITS	125
FIRE VALVE REPAIR KITS	125

LARGE DIAMETER BACKFLOW PREVENTER REPAIR KITS

350/450 REPAIR KITS

SIZE	LEAD-FREE PART NUMBER	LEAD-FREE LIST PRICE EA.
MODEL 350/450 RUBBER ONLY REPAIR KIT		
2-1/2" - 3"	RK212-350	41.00
4"	RK4-350	144.00
6"	RK6-350	258.00
8" - 12"	RK8-350	286.00
MODEL 350A RUBBER ONLY REPAIR KIT		
2-1/2" - 4"	RK4-350	144.00
6"	RK6-350	258.00
8" - 10"	RK8-350	286.00
MODEL 350DA/450DA RUBBER ONLY (INCLUDES BY-PASS RUBBER)		
2-1/2" - 3"	RK212-350DA	89.00
4"	RK4-350DA	214.00
6"	RK6-350DA	318.00
8" - 12"	RK8-350DA	343.00
MODEL 350ADA RUBBER ONLY (INCLUDES BY-PASS RUBBER)		
2-1/2" - 4"	RK4-350DA	214.00
6"	RK6-350DA	318.00
8" - 10"	RK8-350DA	343.00

375/475 REPAIR KITS

SIZE	LEAD-FREE PART NUMBER	LEAD-FREE LIST PRICE EA.
MODEL 375/375A/475 RELIEF RUBBER ONLY		
2-1/2" - 6"	RK212-375R	86.00
8" - 10"	RK8-375R	94.00
MODEL 375/375A/475 RELIEF COMPLETE		
2-1/2" - 6"	RK212-375	123.00
8" - 10"	RK8-375	313.00
MODEL 375/475 CHECKS RUBBER ONLY		
2-1/2" - 4"	RK4-350	144.00
6"	RK6-350	258.00
8" - 10"	RK8-350	286.00
MODEL 375DA/475DA CHECKS & RELIEF RUBBER ONLY (INCLUDES BY-PASS RUBBER)		
2-1/2" - 3"	RK212-375DAC	175.00
4"	RK4-375DAC	277.00
6"	RK6-375DAC	392.00
8" - 10"	RK8-375DAC	456.00
MODEL 375ADA CHECKS & RELIEF RUBBER ONLY (INCLUDES BY-PASS RUBBER)		
2-1/2" - 4"	RK4-375DAC	277.00
6"	RK6-375DAC	392.00
8" - 10"	RK8-375DAC	456.00

FIRST CHECK ASSEMBLY

SIZE	MODEL		LEAD-FREE PART NUMBER	LEAD-FREE LIST PRICE EA.
	300 SERIES	400 SERIES		
Includes retainer(s) or nuts and lubricant				
IRON BODY				
2-1/2" & 3"	350/350DA	450/450DA	RK212-350CK1	202.00
2-1/2", 3" & 4"	350A/350ADA	-	RK4-350CK1	524.00
4"	350/350DA	450/450DA	RK4-350CK1	524.00
6"	350/350DA	450/450DA	RK6-350CK1	683.00
8", 10" & 12"	350/350DA	450/450DA	RK8-350CK1	1,464.00
12"	350DA	-	RK12IN-350DACK1	1,464.00
2-1/2" & 3"	375/375DA	475/475DA	RK212-375CK1	208.00
2-1/2" & 3"	375A/375ADA	-	RK4-375CK1	576.00
4"	375/375DA	475/475DA	RK4-375CK1	576.00
6"	375/375DA	475/475DA	RK6-375CK1	768.00
8" & 10"	375/375DA	475/475DA	RK8-375CK1	1,646.00
STAINLESS STEEL BODY				
2-1/2", 3" & 4"	350AST/350ASTDA	-	RK4-350ASTCK1	524.00
6"	350AST/350ASTDA	-	RK6-350ASTCK1	683.00
8"	350AST/350ASTDA	-	RK8-350ASTCK1	1,464.00
10"	350AST/350ASTDA	-	RK10-350ASTCK1	1,464.00
4"	-	450ST/450STDA	RK4-450STCK4	524.00
6"	-	450ST/450STDA	RK6-450STCK4	683.00
8" & 10"	-	450ST/450STDA	RK8-450STCK1	1,464.00
2-1/2", 3" & 4"	375AST/375ASTDA	475ST/475STDA	RK4-375ASTCK1	576.00
6"	375AST/375ASTDA	475ST/475STDA	RK6-375ASTCK1	768.00
8" & 10"	375AST/375ASTDA	-	RK8-375ASTCK1	1,830.00
8" & 10"	-	475ST/475STDA	RK8-475STCK1	1,830.00

SECOND CHECK ASSEMBLY

SIZE	MODEL		LEAD-FREE PART NUMBER	LEAD-FREE LIST PRICE EA.
	300 SERIES	400 SERIES		
Includes retainer(s) or nuts and lubricant				
DUCTILE IRON BODY				
2-1/2" & 3"	375/350	475/450	RK212-350CK2	209.00
2-1/2", 3" & 4"	375A/350A	-	RK4-350CK2	548.00
4"	375/350	475/450	RK4-350CK2	548.00
6"	375/350	475/450	RK6-350CK2	704.00
8", 10" & 12"	375/350	475/450	RK8-350CK2	1,507.00
2-1/2" & 3"	375DA/350DA	475DA/450DA	RK212-350DACK2	219.00
2-1/2", 3" & 4"	375ADA/350ADA	-	RK4-350CK2	548.00
4"	375DA/350DA	475DA/450DA	RK4-350CK2	548.00
6"	375DA/350DA	475DA/450DA	RK6-350CK2	704.00
8" & 10"	375DA	475DA/450DA	RK8-450DACK2	1,657.00
8" & 10"	350DA	-	RK8-350DACK2	1,597.00
12"	350DA	-	RK12IN-350DACK2	1,597.00
8"	350ADA	-	RK8-350DACK2	1,597.00
10"	350ADA	-	RK8-450DACK2	1,657.00
STAINLESS STEEL BODY				
2-1/2"	375AST/350AST	-	RK212-350ASTCK2	513.00
3" & 4"	375AST/350AST	-	RK4-350ASTCK2	513.00
6"	375AST/350AST	-	RK6-350ASTCK2	666.00
8"	375AST	-	RK8-350ASTCK2	1,507.00
10"	375AST/350AST	-	RK10-350ASTCK2	1,507.00
2-1/2"	375ASTDA/350ASTDA	-	RK212-350ASTDACK2	513.00
3" & 4"	375ASTDA/350ASTDA	-	RK4-350ASTDACK2	513.00
6"	375ASTDA	-	RK6-375ASTDACK2	666.00
6"	350ASTDA	-	RK6-350ASTDACK2	666.00
8" & 10"	375ASTDA	-	RK8-375ASTDACK2	1,507.00
8" & 10"	350ASTDA	-	RK8-350ASTDACK2	1,507.00
4"	-	450ST/475ST	RK4-450STCK4	524.00
6"	-	450ST/475ST	RK6-450STCK4	683.00
8" & 10"	-	450ST/475ST	RK8-350ASTCK1	1,464.00
4"	-	450STDA/475STDA	RK4-350ASTDACK2	513.00
6"	-	450STDA/475STDA	RK6-450STDACK2	666.00
8" & 10"	-	450STDA/475STDA	RK8-450STDACK2	1,507.00

For additional product information, please visit www.zurn.com.

LARGE DIAMETER BACKFLOW PREVENTER REPAIR KITS

950/975 REPAIR KITS

SIZE	LEAD-FREE PART NUMBER	LEAD-FREE LIST PRICE EA.
MODEL 950/975 RUBBER (CHECKS ONLY)		
2-1/2" - 3"	RK212-950	103.00
4"	RK4-950	162.00
6"	RK6-950	292.00
8"	RK8-950	525.00
10"	RK10-950	848.00
MODEL 975 RELIEF (RUBBER ONLY)		
2-1/2" - 6"	RK212-975R	93.00
8" - 10"	RK8-975R	111.00
MODEL 975 RELIEF COMPLETE		
2-1/2" - 6"	RK212-975	132.00
8" - 10"	RK8-975	205.00
MODEL 950DA RUBBER ONLY (INCLUDES BY-PASS RUBBER)		
2-1/2" - 3"	RK212-950DA	180.00
4"	RK4-950DA	235.00
6"	RK6-950DA	366.00
8"	RK8-950DA	599.00
10"	RK10-950DA	922.00
MODEL 975DA CHECKS & RELIEF RUBBER ONLY (INCLUDES BY-PASS RUBBER)		
2-1/2" - 3"	RK212-975DAC	231.00
4"	RK4-975DAC	463.00
6"	RK6-975DAC	466.00
8"	RK8-975DAC	1,037.00
10"	RK10-975DAC	1,014.00

BY-PASS VALVES FOR DETECTOR ASSEMBLIES REPAIR KITS

SIZE	DESCRIPTION	LEAD-FREE PART NUMBER	LEAD-FREE LIST PRICE EA.
BY-PASS VALVE FOR 950XLTD SERIES			
3/4"	Double Check Valve By-Pass Assembly	34-350D	355.00
BY-PASS VALVE FOR 375DA, 375ADA, 375ASTDA, 475DA AND 475DAV			
3/4"	MNPT x MNPT, Less Ball Valves, RPDA By-Pass Assembly	34-975XLD	757.00
BY-PASS VALVE FOR 350DA, 350ADA, 350ASTDA, 450DA AND 450DAV			
3/4"	Double Check Valve By-Pass Assembly	34-950XLD	388.00

CHECK SEAT RETAINER

SIZE	MODEL		LEAD-FREE PART NUMBER	LEAD-FREE LIST PRICE EA.
	300 SERIES	400 SERIES		
CHECK NUMBER 1				
Bulk pack quantity of six				
2-1/2" - 3"	350/375	450/475	BRK212-300-SEAT1-RTNR	95.00
2-1/2" - 3"	350A/375A	-	BRK4-LBF-SEAT1RTNR	290.00
2-1/2" - 4"	350/375	450/475	BRK4-LBF-SEAT1RTNR	290.00
6"	350/375	450/475	BRK6-LBF-SEAT1RTNR	386.00
2-1/2" - 4"	300AST Series	400ST Series	BRK4-SSLBF-SEAT1RTNR	290.00
6"	300AST Series	400ST Series	BRK6-SSLBF-SEAT1RTNR	386.00
CHECK NUMBER 2				
Bulk pack quantity of six				
2-1/2" - 3"	350/375	450/475	BRK212-300-SEAT2-RTNR	136.00
2-1/2" - 4"	350/375	450/475	BRK4-LBF-SEAT2RTNR	597.00
6"	350/375	450/475	BRK6-LBF-SEAT2RTNR	652.00
2-1/2" - 4"	350AST/375AST	-	BRK4-SSLBF-SEAT2RTNR	398.00
6"	350AST/375AST	-	BRK6-SSLBF-SEAT2RTNR	435.00

DOUBLE CHECK DETECTOR ASSEMBLY BYPASS REPLACEMENT KIT

SIZE	MODEL		LEAD-FREE PART NUMBER	LEAD-FREE LIST PRICE EA.
	300 SERIES	400 SERIES		
2-1/2" & 3"	350DA	-	RK212-350DA-BP-LM	1,093.00
2-1/2" & 3"	350ADA	-	RK4-350DA-BP-LM	1,106.00
4"	350DA/350ADA	-	RK4-350DA-BP-LM	1,106.00
6"	350DA/350ADA	-	RK6-350DA-BP-LM	1,112.00
8"	350DA/350ADA	-	RK8-350DA-BP-LM	1,119.00
10"	350DA/350ADA	-	RK10-350DA-BP-LM	1,131.00
12"	350DA	-	RK12-350DA-BP-LM	1,131.00
2-1/2" & 3"	350ASTDA	-	RK212-350ASTDA-BP-LM	1,093.00
4"	350ASTDA	-	RK4-350ASTDA-BP-LM	1,106.00
6"	350ASTDA	-	RK6-350ASTDA-BP-LM	1,112.00
8"	350ASTDA	-	RK8-350ASTDA-BP-LM	1,119.00
10"	350ASTDA	-	RK10-350ASTDA-BP-LM	1,131.00
2-1/2" & 3"	-	450DA	RK212-450DA-BP-LM	1,093.00
4"	-	450DA	RK4-450DA-BP-LM	1,106.00
6"	-	450DA	RK6-450DA-BP-LM	1,119.00
8" & 10"	-	450DA	RK8-450DA-BP-LM	1,131.00

RP DETECTOR ASSEMBLY BYPASS REPLACEMENT KIT

SIZE	MODEL		LEAD-FREE PART NUMBER	LEAD-FREE LIST PRICE EA.
	300 SERIES	400 SERIES		
2-1/2" & 3"	375DA	-	RK212-375DA-BP-LM	1,315.00
2-1/2" & 3"	375ADA	-	RK4-375DA-BP-LM	1,328.00
4"	375DA	-	RK4-375DA-BP-LM	1,328.00
6"	375DA	-	RK6-375DA-BP-LM	1,335.00
8"	375DA	-	RK8-375DA-BP-LM	1,341.00
10"	375DA	-	RK10-375DA-BP-LM	1,354.00
2-1/2" & 3"	375ASTDA	-	RK212-375ASTDA-BP-LM	1,328.00
4"	375ASTDA	-	RK4-375ASTDA-BP-LM	1,106.00
6"	375ASTDA	-	RK6-375ASTDA-BP-LM	1,335.00
8"	375ASTDA	-	RK8-375ASTDA-BP-LM	1,341.00
10"	375ASTDA	-	RK10-375ASTDA-BP-LM	1,354.00
2-1/2" & 3"	-	475DA	RK3-475DA-BP-LM	1,315.00
4"	-	475DA	RK4-475DA-BP-LM	1,328.00
6"	-	475DA	RK6-475DA-BP-LM	1,335.00
8" & 10"	-	475DA	RK8-475DA-BP-LM	1,354.00

SMALL DIAMETER BACKFLOW PREVENTER REPAIR KITS

350XL/350 REPAIR KITS

SIZE	LEAD-FREE PART NUMBER	LEAD-FREE LIST PRICE EA.
MODEL 350XL/350 RUBBER REPAIR KIT		
2 vessel o-rings, 2 check o-rings, 2 poppets with seal rings		
1/2" - 3/4"	RK34-350R	26.00
1"	RK1-350R	27.00
1-1/4" - 2"	RK114-350R	38.00
MODEL 350XL/350 COMPLETE INTERNALS		
2 checks, vessel o-rings, and check o-rings		
1/2" - 3/4"	RK34-350	48.00
1"	RK1-350	51.00
1-1/4" - 2"	RK114-350	102.00
MODEL 350XL/350 COMPLETE PRESSURE VESSEL (HOUSING)		
Complete working Pressure Vessel, o-rings, test cocks and bolts. Also available, 350VFT (350V with Fast-Test Test Cocks)		
1/2" - 3/4"	RK34-350V	124.00
1"	RK1-350V	144.00
1-1/4" - 2"	RK114-350V	432.00
MODEL 350XL/350 BLOW-OUT/FLUSH FITTING		
Blow-Out/Flush Fitting and 2 o-rings		
1/2" - 3/4"	RK34-350BOF	23.00
1"	RK1-350BOF	29.00
1-1/4" - 2"	RK114-350-375BOF	45.00
MODEL 350XL/350 FLUSH KIT		
Flush Fitting, 2 O-rings and 18" Flush Hose		
1/2" - 3/4"	RK34-350FLUSH	43.00
1"	RK1-350FLUSH	49.00
1-1/4" - 2"	RK114-350-375FLUSH	65.00

375XL/375 REPAIR KITS

SIZE	LEAD-FREE PART NUMBER	LEAD-FREE LIST PRICE EA.
MODEL 375XL/375 RUBBER REPAIR KIT		
2 vessel o-rings, 2 check o-rings, seal rings, 2 relief valve o-rings, relief valve seal ring, diaphragm		
3/4"	RK34-375R	45.00
1"	RK1-375R	46.00
1-1/4" - 2"	RK114-375R	80.00
MODEL 375XL/375 COMPLETE INTERNALS		
2 checks, vessel o-rings, check o-rings, relief valve assembly, relief valve spring, relief valve spring seat, and relief valve spring o-rings		
3/4"	RK34-375	69.00
1"	RK1-375	118.00
1-1/4" - 2"	RK114-375	194.00
MODEL 375XL/375 COMPLETE PRESSURE VESSEL		
Complete working Pressure Vessel, o-rings and test cocks. Also available, 375VFT: 375V with Fast-Test Test Cocks (Wedge not included)		
3/4"	RK34-375V	223.00
1"	RK1-375V	231.00
1-1/4" - 2"	RK114-375V	498.00
MODEL 375XL/375 VESSEL WEDGE		
Pressure Vessel Wedge, sleeve and two screws		
3/4"	RK34-375W	37.00
1"	RK1-375W	44.00
MODEL 375XL/375 BLOW-OUT FLUSH FITTING		
Blow-Out/Flush Fitting and 2 O-rings		
3/4"	RK34-375BOF	22.00
1"	RK1-375BOF	25.00
1-1/4" - 2"	RK114-350-375BOF	45.00
MODEL 375XL/375 BLOW-OUT/FLUSH KITS		
Flush Fitting, 2 O-rings and 18" Flush Hose		
3/4"	RK34-375FLUSH	42.00
1"	RK1-375FLUSH	46.00
1-1/4" - 2"	RK114-350-375FLUSH	65.00
MODEL RK-375XLBV1: BALL VALVE, BRONZE, 375XL INLET, FNPT TO PRESSURE VESSEL, TAPPED, O-RING		
1/2"	RK12-375XLBV1	66.00
3/4"	RK34-375XLBV1	81.00
1"	RK1-375XLBV1	115.00
MODEL 48AXL: BALL VALVE, BRONZE, 375XL INLET, FNPT TO PRESSURE VESSEL, TAPPED		
1-1/4"	RK114-375XL-BV1	475.00
1-1/2"	RK112-375XL-BV1	475.00
2"	RK2-375XL-BV1	500.00
MODEL 48BXL: BALL VALVE, BRONZE, 375XL OUTLET, PRESSURE VESSEL TO FNPT		
1/2"	RK114-375XL-BV1	340.00
3/4"	RK34-375XL-BV2	325.00
1"	RK1-375XL-BV2	345.00
1-1/4"	RK114-375XL-BV2	470.00
1-1/2"	RK112-375XL-BV2	475.00
2"	RK2-375XL-BV2	500.00
MODEL RK-375STBV1: BALL VALVE, STAINLESS STEEL, 375ST INLET, FNPT TO PRESSURE VESSEL, TAPPED, O-RING		
1/2"	RK12-375STBV1	138.00
3/4"	RK34-375STBV1	158.00
1"	RK1-375STBV1	213.00

950XLT2/950XLT/950XL/950 REPAIR KITS

SIZE	LEAD-FREE PART NUMBER	LEAD-FREE LIST PRICE EA.
MODEL 950 COMPLETE		
3/4" - 1"	RK34-950	41.00
1-1/4" - 2"	RK114-950	62.00
MODEL 950 RUBBER		
3/4" - 1"	RK34-950R	26.00
1-1/4" - 2"	RK114-950R	30.00
MODEL 950XL COMPLETE		
3/4" - 1"	RK34-950XL	47.00
1-1/4" - 2"	RK114-950XL	78.00
MODEL 950XL/XLT/XLT2 RUBBER		
3/4" - 1"	RK34-950XLR	31.00
1-1/4" - 2"	RK114-950XLR	43.00
MODEL 950XL SEAT KIT		
3/4" - 1"	RK34-950XLSK	32.00
1-1/4" - 2"	RK114-950XLSK	39.00
MODEL 950XL COMPLETE WITH SEATS		
3/4" - 1"	RK34-950XLC	62.00
1-1/4" - 2"	RK114-950XLC	110.00
MODEL 950XLT/XLT2 SEAT KIT		
3/4" - 1"	RK34-950XLTsk	32.00
1-1/4" - 2"	RK114-950XLTsk	39.00
MODEL 950XLT/XLT2 COMPLETE WITH SEATS		
3/4" - 1"	RK34-950XLTC	62.00
1-1/4" - 2"	RK114-950XLTC	110.00

975XL2/975XL/975 REPAIR KITS

SIZE	LEAD-FREE PART NUMBER	LEAD-FREE LIST PRICE EA.
MODEL 975 COMPLETE RUBBER & SPRINGS (CHECKS & RELIEF)		
3/4" - 1"	RK34-975	57.00
1-1/4" - 2"	RK114-975	109.00
MODEL 975 RUBBER (CHECKS & RELIEF)		
3/4" - 1"	RK34-975R	45.00
1-1/4" - 2"	RK114-975R	74.00
MODEL 975XL/XL2 COMPLETE RUBBER & SPRINGS - NO SEATS (CHECKS & RELIEF)		
1/4" - 1/2"	RK14-975XL	54.00
3/4" - 1"	RK34-975XL	62.00
1-1/4" - 2"	RK114-975XL	128.00
MODEL 975XL/XL2 RUBBER (CHECKS & RELIEF)		
1/4" - 1/2"	RK14-975XLR	44.00
3/4" - 1"	RK34-975XLR	50.00
1-1/4" - 2"	RK114-975XLR	93.00
MODEL 975XL/XL2 SEAT KIT (#1 & #2 WITH O-RINGS)		
1/4" - 1/2"	RK14-975XLSK	36.00
3/4" - 1"	RK34-975XLSK	39.00
1-1/4" - 2"	RK114-975XLSK	41.00
MODEL 975XL/XL2 COMPLETE POPPETS, SPRINGS & SEATS (CHECKS & RELIEF)		
1/4" - 1/2"	RK14-975XLC	137.00
3/4" - 1"	RK34-975XLC	140.00
1-1/4" - 2"	RK114-975XLC	215.00

PRESSURE VACUUM BREAKER REPAIR KITS

420XL/420 REPAIR KITS

SIZE	LEAD-FREE PART NUMBER	LEAD-FREE LIST PRICE EA.
420XL/420 COMPLETE REPAIR KIT		
1/2" - 3/4"	RK12-420	60.00
1"	RK1-420	78.00
420XL/420 RUBBER REPAIR KIT		
1/2" - 3/4"	RK12-420R	30.00
1"	RK1-420R	31.00
420XL/420 POPPET/ BONNET		
1/2" - 3/4"	RK12-420FK	34.00
1"	RK1-420FK	42.00

460XL/460 REPAIR KITS

SIZE	LEAD-FREE PART NUMBER	LEAD-FREE LIST PRICE EA.
460XL/460 COMPLETE REPAIR KIT		
3/8" - 1/2"	RK12-460	69.00
3/4" - 1"	RK1-460	127.00
460XL/460 RUBBER		
3/8" - 1/2"	RK12-460R	42.00
3/4" - 1"	RK1-460R	63.00

720A REPAIR KITS

SIZE	LEAD-FREE PART NUMBER	LEAD-FREE LIST PRICE EA.
720A REPAIR KIT		
1/2" - 1"	RK1-720A	75.00
1-1/4" - 2"	RK2-720A	146.00
720A BONNET REPAIR KIT		
1/2" - 1"	RK1-720AB	35.00
720A POPPET & O-RING		
1/2" - 1"	RK1-720AP	37.00

ATMOSPHERIC VACUUM BREAKER REPAIR KIT

SIZE	LEAD-FREE PART NUMBER	LEAD-FREE LIST PRICE EA.
35/35XL REPAIR KIT		
1/4"	RK14-35	15.00
1/2"	RK12-35	17.00
3/4"	RK34-35	20.00
1"	RK1-35	23.00
1-1/4"	RK114-35	24.00
1-1/2"	RK112-35	29.00
2"	RK2-35	33.00

DUAL CHECK ASSEMBLY REPAIR KITS

SIZE	LEAD-FREE PART NUMBER	LEAD-FREE LIST PRICE EA.
700FP/700 REPAIR KIT		
1/4" - 1/2"	RK14-700	32.00
3/4" - 1"	RK34-700	33.00
1" - 1-1/2"	RK1-700FP	43.00
950LM COMPLETE REPAIR KIT		
3/4" - 1"	RK34-950	41.00
950LM RUBBER REPAIR KIT		
3/4" - 1"	RK34-950R	26.00
950LF COMPLETE REPAIR KIT		
3/4" - 1"	RK34-950	41.00
950LF RUBBER REPAIR KIT		
3/4" - 1"	RK34-950R	26.00
1-1/4" - 2"	RK114-950R	30.00

BALL VALVE HANDLE LOCKS

SIZE	LEAD-FREE PART NUMBER	LEAD-FREE LIST PRICE EA.
BVLK		
1/2"	RK12-BVLK	66.00
3/4" - 1"	RK34-1-BVLK	66.00
1-1/4"	RK114-BVLK	70.00
1-1/2" - 2"	RK112-2-BVLK	73.00
PADLOCK		
1/2" - 2"	RK-PDLK	39.00

AUTOMATIC CONTROL VALVE REPAIR KITS

SIZE	LEAD-FREE PART NUMBER	LEAD-FREE LIST PRICE EA.
RK-ZW109: ZW100 SERIES REPAIR KIT		
Includes diaphragm, disc and spacer washers		
1-1/4"-1-1/2"	RK114-112-ZW109	297.00
2"	RK2-ZW109	355.00
2-1/2"	RK212-ZW109	399.00
3"	RK3-ZW109	417.00
4"	RK4-ZW109	568.00
6"	RK6-ZW109	856.00
8"	RK8-ZW109	1,028.00
10"	RK10-ZW109	1,489.00
12"	RK12IN-ZW109	1,945.00

SIZE	LEAD-FREE PART NUMBER	LEAD-FREE LIST PRICE EA.
RK-ZW200R: ZW200 SERIES RUBBER REPAIR KIT		
Includes diaphragm, stem o-rings, and disc		
1-1/4"-1-1/2"	RK114-112-ZW200R	233.00
2"	RK2-ZW200R	278.00
2-1/2"	RK212-ZW200R	313.00
3"	RK3-ZW200R	327.00
4"	RK4-ZW200R	445.00
6"	RK6-ZW200R	670.00
8"	RK8-ZW200R	805.00
10"	RK10-ZW200R	1,166.00
12"	RK12-ZW200R	1,524.00
14"	RK14-ZW200R	2,770.00
16"	RK16-ZW200R	4,017.00

SIZE	LEAD-FREE PART NUMBER	LEAD-FREE LIST PRICE EA.
RK-ZW200C: ZW200 SERIES COMPLETE REPAIR KIT		
Includes stem assembly, spring.		
1-1/4"-1-1/2"	RK114-112-ZW200C	538.00
2"	RK2-ZW200C	932.00
2-1/2"	RK212-ZW200C	1,054.00
3"	RK3-ZW200C	1,261.00
4"	RK4-ZW200C	1,445.00
6"	RK6-ZW200C	2,564.00
8"	RK8-ZW200C	3,654.00
10"	RK10-ZW200C	4,904.00
12"	RK12-ZW200C	6,371.00
14"	RK14-ZW200C	2,909.00
16"	RK16-ZW200C	3,670.00

SIZE	LEAD-FREE PART NUMBER	LEAD-FREE LIST PRICE EA.
RK-ZW200SK: ZW200 SERIES SEAT REPAIR KIT		
Includes seat, o-ring. RK10-ZW200SK includes seat, o-ring, screws		
1-1/4"-1-1/2"	RK114-112-ZW200SK	113.00
2"	RK2-ZW200SK	162.00
2-1/2"	RK212-ZW200SK	183.00
3"	RK3-ZW200SK	213.00
4"	RK4-ZW200SK	314.00
6"	RK6-ZW200SK	565.00
8"	RK8-ZW200SK	1,118.00
10"	RK10-ZW200SK	1,233.00
12"	RK12-ZW200SK	1,662.00
14"	RK14-ZW200SK	2,216.00
16"	RK16-ZW200SK	2,840.00

SIZE	LEAD-FREE PART NUMBER	LEAD-FREE LIST PRICE EA.
RK-ZW200RV: ZW200 SERIES VITON RUBBER REPAIR KIT		
Includes diaphragm, stem o-rings, and disc		
1-1/4"-1-1/2"	RK114-112-ZW200RV	555.00
2"	RK2-ZW200RV	621.00
2-1/2"	RK212-ZW200RV	662.00
3"	RK3-ZW200RV	1,135.00
4"	RK4-ZW200RV	1,623.00

PRESSURE REDUCING VALVE REPAIR KITS

SIZE	LEAD-FREE PART NUMBER	LEAD-FREE LIST PRICE EA.
NR3XL/NR3 REPAIR KIT		
1/2"	RK12-NR3XL	77.00
3/4"	RK34-NR3XL	90.00
1"	RK1-NR3XL	114.00
1-1/4"	RK114-NR3XL	159.00
1-1/2"	RK112-NR3XL	309.00
2"	RK2-NR3XL	353.00
BR4 REPAIR KIT		
1/2"	RK12-BR4XL	83.00
3/4"	RK34-BR4XL	89.00
1"	RK1-BR4XL	110.00
1-1/4"	RK114-BR4	134.00
1-1/2"	RK112-BR4	247.00
2"	RK2-BR4	282.00
70XL/70 REPAIR KIT		
1/2"	RK12-70XL	152.00
3/4"	RK34-70XL	114.00
1"	RK1-70XL	136.00
70DU/70XLDU REPAIR KIT		
1-1/4"	RK114-70XLDU	197.00
1-1/2"	RK112-70XLDU	214.00
2"	RK2-70XLDU	249.00
70SS REPAIR KIT		
1/2"	RK34-70SS	101.00
3/4"	RK1-70SS	141.00
90 REPAIR KIT		
1/2"	RK34-90	60.00
3/4"	RK1-90	60.00
500XL AND 500 REPAIR KIT		
1/2"	RK12-500XL	68.00
3/4"	RK34-500XL	68.00
1"	RK1-500XL	78.00
1-1/4"	RK114-500XL	104.00
1-1/2"	RK112-500XL	220.00
2"	RK2-500XL	266.00
2-1/2"	RK212-500XL	536.00
3"	RK3-500XL	1,077.00
500XLHR/500HR REPAIR KIT		
1/2"	RK12-500XLHR	86.00
3/4"	RK34-500XLHR	92.00
1"	RK1-500XLHR	105.00
1-1/4"	RK114-500XLHR	164.00
1-1/2"	RK112-500XLHR	302.00
2"	RK2-500XLHR	310.00
2-1/2"	RK212-500XLHR	576.00
3"	RK3-500XLHR	1,116.00
500XLHLR/500HLR REPAIR KIT		
1/2"	RK12-500XLHLR	86.00
3/4"	RK34-500XLHLR	92.00
1"	RK1-500XLHLR	105.00
1-1/4"	RK114-500XLHLR	164.00
1-1/2"	RK112-500XLHLR	302.00
2"	RK2-500XLHLR	310.00
2-1/2"	RK212-500XLHLR	576.00
3"	RK3-500XLHLR	1,116.00
500XLHTSTSC REPAIR KIT		
1/2"	RK12-500XLHTSTSC	111.00
3/4"	RK34-500XLHTSTSC	148.00
1"	RK1-500XLHTSTSC	155.00
1-1/4"	RK114-500XLHTSTSC	205.00
1-1/2"	RK112-500XLHTSTSC	346.00
2"	RK2-500XLHTSTSC	401.00
2-1/2"	RK212-500XLHTSTSC	623.00
3"	RK3-500XLHTSTSC	1,170.00

SIZE	LEAD-FREE PART NUMBER	LEAD-FREE LIST PRICE EA.
500XLFC/500FC REPAIR KIT		
2"	RK2-500XLFC	358.00
2-1/2"	RK212-500XLFC	363.00
3"	RK3-500XLFC	869.00
510XL/510 REPAIR KIT		
1/2"	RK12-510XL	92.00
3/4"	RK34-510XL	93.00
1"	RK1-510XL	105.00
1-1/4"	RK114-510XL	164.00
1-1/2"	RK112-510XL	302.00
2"	RK2-510XL	310.00
2-1/2"	RK212-510XL	576.00
3"	RK3-510XL	1,117.00
600XL/600 REPAIR KIT		
1/2"	RK12-600XL	72.00
3/4"	RK34-600XL	73.00
1"	RK1-600XL	82.00
1-1/4"	RK114-600XL	107.00
1-1/2"	RK112-600XL	224.00
2"	RK2-600XL	274.00
600XLHR/600HR REPAIR KIT		
1/2"	RK12-600XLHR	90.00
3/4"	RK34-600XLHR	97.00
1"	RK1-600XLHR	109.00
1-1/4"	RK114-600XLHR	167.00
1-1/2"	RK112-600XLHR	306.00
2"	RK2-600XLHR	318.00
600XLHLR/600HLR REPAIR KIT		
1/2"	RK12-600XLHLR	90.00
3/4"	RK34-600XLHLR	97.00
1"	RK1-600XLHLR	109.00
1-1/4"	RK114-600XLHLR	167.00
1-1/2"	RK112-600XLHLR	306.00
2"	RK2-600XLHLR	318.00
600XLHTSTSC/600HTSTSC REPAIR KIT		
1/2"	RK12-600XLHTSTSC	110.00
3/4"	RK34-600XLHTSTSC	145.00
1"	RK1-600XLHTSTSC	164.00
1-1/4"	RK114-600XLHTSTSC	187.00
1-1/2"	RK112-600XLHTSTSC	316.00
2"	RK2-600XLHTSTSC	368.00
610XL/610 REPAIR KIT		
1/2"	RK12-610XL	88.00
3/4"	RK34-610XL	89.00
1"	RK1-610XL	105.00
1-1/4"	RK114-610XL	144.00
1-1/2"	RK112-610XL	278.00
2"	RK2-610XL	294.00

MISCELLANEOUS PARTS AND REPAIR KITS

QT/QTP – QUICK TEST BACKFLOW TEST FITTINGS

SIZE	BACKFLOW RANGE	QUANTITY PER PACK	PART NUMBER	LIST PRICE
MODEL QT: QUICK TEST BACKFLOW TEST FITTINGS				
1/4"	1/4" - 2"	3	RK14-QT	98.00
1/2"	2-1/2" - 4"	3	RK12-QT	134.00
3/4"	6" - 12"	3	RK34-QT	161.00
MODEL QTP: QUICK TEST BACKFLOW FITTINGS, THERMOPLASTIC				
1/4"	1/4" - 2"	3	RK14-QTP	31.00

BVHD – BLUE STAINLESS STEEL BALL VALVE HANDLES WITH STAINLESS STEEL NUT

SIZE	QUANTITY PER PACK	PART NUMBER	LIST PRICE
3/4"	2	RK34-BVHD	20.00
1"	2	RK1-BVHD	22.00
1-1/4"	2	RK114-BVHD	26.00
1-1/2"	2	RK112-BVHD	31.00
2"	2	RK2-BVHD	45.00

BVHDXL – GREEN STAINLESS STEEL BALL VALVE HANDLES WITH STAINLESS STEEL NUT

SIZE	QUANTITY PER PACK	PART NUMBER	LIST PRICE
3/4"	2	RK34-BVHDXL	20.00
1"	2	RK1-BVHDXL	22.00
1-1/4"	2	RK114-BVHDXL	26.00
1-1/2"	2	RK112-BVHDXL	31.00
2"	2	RK2-BVHDXL	45.00

860XL – LEAD FREE TEST COCKS (SET)

SIZE	QUANTITY PER PACK	PART NUMBER	LIST PRICE
1/8"	4	RK18-860XL	93.00
1/4"	4	RK14-860XL	87.00

860XLFT – LEAD FREE FAST-TEST COCKS WITH INTEGRAL SAE FITTINGS (SET)

SIZE	QUANTITY PER PACK	PART NUMBER	LIST PRICE
1/8"	4	RK18-860XLFT	93.00
1/4"	4	RK14-860XLFT	93.00

MISCELLANEOUS PARTS AND REPAIR KITS

860XL SERIES – BALL VALVE TEST COCKS (EACH)

SIZE	INLET X OUTLET CONNECTIONS / OPTIONS	LEAD-FREE PART NUMBER	LEAD-FREE LIST PRICE EA.
860XL: BALL TYPE TEST COCKS			
Sizes 1/8" and 1/4". Resilient seated ball type test cocks. All bronze construction. Certified to NSF/ANSI 372.			
1/8"	1/8" MNPT x 1/4" FNPT	18-860XL	32.00
1/4"	1/4" MNPT x 1/4" FNPT	14-860XL	30.00
860XLFT: BALL TYPE FAST-TEST TEST COCKS			
1/8"	1/8" MNPT x 1/4" 45° SAE	18-860XLFT	32.00
1/4"	1/4" MNPT x 1/4" 45° SAE	14-860XLFT	32.00

RK-975TOOL – COMPLETE SET OF 950XL/975XL SEAT REMOVAL TOOLS

SIZE	QUANTITY PER PACK	PART NUMBER	LIST PRICE
1/4" - 2"	3	RK-975TOOL	69.00

RK-BVTOOL – BALL VALVE HANDLE SOCKETS 3/4", 1", 1-1/4", 1-1/2", AND 2"

SIZE	QUANTITY PER PACK	PART NUMBER	LIST PRICE
3/4" - 2"	2	RK-BVTOOL	72.00

RPHBM REPAIR KITS

SIZE	DESCRIPTION	PART NUMBER	LIST PRICE
3"	Complete Repair Kit, 3-RPHBM	RK3-RPHBMC	109.00
3"	Rubber Repair Kit, 3-RPHBM	RK3-RPHBMR	96.00

FIRE VALVE REPAIR KITS

SIZE	DESCRIPTION	PART NUMBER	LIST PRICE
1-1/2"	Repair Kit for Models 2100 and 2105	RK112-FV	81.00
1-1/2"	Repair Kit for Models 4100 and 4104	RK4100	56.00
2-1/2"	Repair Kit for Models 3000, 3004, 3005, 4000 and 4004	RK212-FV	53.00

NOTES

BACKFLOW PREVENTERS
 BACKFLOW PREVENTERS ACCESSORIES
 STRAINERS
 AUTOMATIC CONTROL VALVES
 PRESSURE REDUCING VALVES
 FIRE PROTECTION VALVES
 THERMOSTATIC MIXING VALVES
 RELIEF VALVES
 MISCELLANEOUS PLUMBING PRODUCTS
REPAIR KITS

For additional product information, please visit www.zurn.com.

NOTES

BACKFLOW
PREVENTERS

BACKFLOW PREVENTERS
ACCESSORIES

STRAINERS

AUTOMATIC
CONTROL VALVES

PRESSURE
REDUCING VALVES

FIRE
PROTECTION VALVES

THERMOSTATIC
MIXING VALVES

RELIEF VALVES

MISCELLANEOUS
PLUMBING PRODUCTS

REPAIR KITS

INDEX AND ORDER FORM

TABLE OF CONTENTS IN ALPHABETICAL ORDER	128
ZURN WILKINS 300AR SERIES ORDER FORM	132

TABLE OF CONTENTS IN ALPHABETICAL ORDER

25 SERIES – PRESSURE GAUGE	115	625XL SERIES – OPTION FOR 600XL	84
25 SERIES – PRESSURE GAUGES	87	700XLPF SERIES – DUAL CHECK VALVE	47
35XL SERIES – ATMOSPHERIC VACUUM BREAKER	50	700XL SERIES – DUAL CHECK VALVE	47
40XL2 SERIES – IN-LINE SINGLE CHECK VALVE	50	705 SERIES – DUAL CHECK VALVE	48
480SY SERIES – OS&Y GATE VALVE	57	720A REPAIR KITS	123
48PIV – POST INDICATOR GATE VALVE	58	720A SERIES – PRESSURE VACUUM BREAKER	46
48 SERIES – NRS GATE VALVE	57	730/735 SERIES – LABORATORY FAUCET VACUUM BREAKER	48
49 SERIES – BUTTERFLY VALVE	58	740 SERIES – BACKFLOW PREVENTER FOR VENDING MACHINE WATER SUPPLY	49
70XL SERIES – PRESSURE REDUCING VALVE	81	760 SERIES – DUAL CHECK WITH ATMOSPHERIC VENT	49
300 SERIES PRODUCT DECODER	6	850XL SERIES – FULL PORT BALL VALVE	56
310/310DA SERIES – SINGLE CHECK VALVE ASSEMBLY	44	860XLFT – LEAD FREE FAST-TEST COCKS WITH INTEGRAL SAE FITTINGS (SET)	124
350/450 REPAIR KITS	120	860XL – LEAD FREE TEST COCKS (SET)	124
350A/350 SERIES – DOUBLE CHECK VALVE ASSEMBLY	12	860XL SERIES – BALL VALVE TEST COCKS (EACH)	125
350ADA/350DA SERIES – DOUBLE CHECK DETECTOR ASSEMBLY	18	950/975 REPAIR KITS	121
350ASTDA SERIES – DOUBLE CHECK DETECTOR ASSEMBLY WITH STAINLESS STEEL BODY	17	950XL SERIES – DOUBLE CHECK VALVE ASSEMBLY	10
350AST SERIES – DOUBLE CHECK VALVE ASSEMBLY WITH STAINLESS STEEL BODY	10	950XLT2/950XLT/950XL/950 REPAIR KITS	122
350XL/350 REPAIR KITS	122	950XLT2/950XLT SERIES – TOP ACCESS DOUBLE CHECK VALVE ASSEMBLY	9
350XL/350 SERIES – DOUBLE CHECK VALVE ASSEMBLY	8	950XLTD SERIES – DOUBLE CHECK DETECTOR ASSEMBLY	16
375/475 REPAIR KITS	120	975XL2/975XL/975 REPAIR KITS	122
375A/375 SERIES – REDUCED PRESSURE PRINCIPLE ASSEMBLY	28	975XL2/975XL SERIES – REDUCED PRESSURE PRINCIPLE ASSEMBLY	25
375ADA /375DA SERIES – REDUCED PRESSURE PRINCIPLE DETECTOR ASSEMBLY	38	975XL2V / 975XL2SE / 975XL2SEU SERIES – REDUCED PRESSURE PRINCIPLE ASSEMBLY WITH 90° STREET ELBOW	26
375ASTDA SERIES – REDUCED PRESSURE PRINCIPLE DETECTOR ASSEMBLY WITH STAINLESS STEEL BODY	36	975XLHBM SERIES – HYDRANT BACKFLOW AND METER VALVE	35
375AST SERIES – REDUCED PRESSURE PRINCIPLE ASSEMBLY WITH STAINLESS STEEL BODY	27	975XLST SERIES – STAINLESS STEEL REDUCED PRESSURE PRINCIPLE ASSEMBLY	25
375ST SERIES – STAINLESS STEEL REDUCED PRESSURE PRINCIPLE ASSEMBLY	24	1260XL SERIES – WATER HAMMER ARRESTERS	115
375XL/375 REPAIR KITS	122	ACV PART NUMBER CONFIGURATION TOOL	64
375XL/375 SERIES – REDUCED PRESSURE PRINCIPLE ASSEMBLY	22	AG SERIES – AIR GAP	60
375XLB SERIES – THEFT PREVENTION REDUCED PRESSURE PRINCIPLE ASSEMBLY	23	ATMOSPHERIC VACUUM BREAKER REPAIR KIT	123
400 SERIES SETTER	60	AUTOMATIC CONTROL VALVE OPTIONS AND ACCESSORIES	76
420XL/420 REPAIR KITS	123	AUTOMATIC CONTROL VALVE REPAIR KITS	123
420XL SERIES – PRESSURE VACUUM BREAKER	45	BALL VALVE HANDLE LOCKS	123
450DA SERIES – DOUBLE CHECK DETECTOR ASSEMBLY	21	BFP-9 & BFP-8F SERIES – HOSE CONNECTION VACUUM BREAKER	51
450 SERIES – DOUBLE CHECK VALVE ASSEMBLY	15	BVECXL SERIES – WATER HEATER SHUT-OFF VALVE WITH INTEGRAL THERMAL EXPANSION RELIEF VALVE	114
450STDA SERIES – DOUBLE CHECK DETECTOR ASSEMBLY WITH STAINLESS STEEL BODY	20	BVHD – BLUE STAINLESS STEEL BALL VALVE HANDLES WITH STAINLESS STEEL NUT	124
450ST SERIES – DOUBLE CHECK VALVE ASSEMBLY WITH STAINLESS STEEL BODY	14	BVHDXL – GREEN STAINLESS STEEL BALL VALVE HANDLES WITH STAINLESS STEEL NUT	124
460XL/460 REPAIR KITS	123	BVMS – BALL VALVE MONITOR SWITCH	55
460XL SERIES – SPILL RESISTANT PRESSURE VACUUM BREAKER	45	BY-PASS VALVES FOR DETECTOR ASSEMBLIES REPAIR KITS	121
475/475V SERIES – REDUCED PRESSURE PRINCIPLE ASSEMBLY	32	CHECK SEAT RETAINER	121
475DA/475DAV SERIES – REDUCED PRESSURE PRINCIPLE DETECTOR ASSEMBLY	42	DOUBLE CHECK DETECTOR ASSEMBLY BYPASS REPLACEMENT KIT	121
475ST/475STV SERIES – REDUCED PRESSURE PRINCIPLE ASSEMBLY WITH STAINLESS STEEL BODY	30	DUAL CHECK ASSEMBLY REPAIR KITS	123
475STDA/475STDAV SERIES – REDUCED PRESSURE PRINCIPLE DETECTOR ASSEMBLY WITH STAINLESS STEEL BODY	40	DUBI SERIES – DIELECTRIC UNIONS	118
500XLFC SERIES – PRESSURE REDUCING VALVE	83	DUXLC SERIES – DIELECTRIC UNIONS	117
500XL SERIES – PRESSURE REDUCING VALVE	82	DUXLM SERIES – DIELECTRIC UNIONS	117
500XLYSBR SERIES – PRESSURE REDUCING VALVE	82	DUXL SERIES – DIELECTRIC UNIONS	117
510XLFC SERIES – OPTION FOR 500XLFC	83	EST – ELECTRIC SOLENOID TIMER	34
510XL SERIES – OPTION FOR 500XL	82	F49BR/F49BRG SERIES – POWERBALL BUTTERFLY VALVE	95
600XL SERIES – PRESSURE REDUCING VALVE	84	F100/F100G SERIES – FIRE HOSE VALVE	94
610XL SERIES – OPTION FOR 600XL	84	F105 SERIES – PRESSURE RESTRICTING FIRE HOSE VALVE	94
		FCIS SERIES – FLOOD CONTROL INTEGRATED SYSTEM AND DISCHARGE MONITORING SOLUTIONS	34
		FEZR SERIES – COMMERCIAL RISER	96

TABLE OF CONTENTS IN ALPHABETICAL ORDER – (CONTINUED)

FIRE VALVE REPAIR KITS	125	WTTA SERIES – ASME THERMAL EXPANSION TANK	113
FIRST CHECK ASSEMBLY	120	WXTP SERIES – POTABLE WATER EXPANSION TANK	112
FLUSH FITTING TOOLS – 350/375 BACKFLOW PREVENTERS	59	XT SERIES – POTABLE WATER EXPANSION TANK	112
FSC SERIES – WYE STRAINER	63	YBXL SERIES – WYE STRAINER	62
FTD SERIES– TEST AND DRAIN VALVE	95	ZURN WILKINS 300AR SERIES ORDER FORM	132
GENERAL TERMS AND CONDITIONS	2	ZW204 SERIES – NON-MODULATING FLOAT VALVE	70
HXT SERIES – HYDRONIC EXPANSION TANK	113	ZW205FP SERIES – FIRE PROTECTION PRESSURE RELIEF VALVE	74
LARGE DIAMETER BACKFLOW PREVENTER REPAIR KITS	120	ZW205 SERIES – PRESSURE RELIEF, PRESSURE SUSTAINING VALVE	69
LEAD FREE	3	ZW206 SERIES – SOLENOID CONTROL VALVE	68
MISCELLANEOUS PARTS AND REPAIR KITS	124	ZW207 SERIES – EXCESS PRESSURE SHUT-OFF VALVE	67
MSK/BMSK SERIES – INTEGRAL RELIEF VALVE MONITOR SWITCH KIT	34	ZW209FP SERIES – FIRE PROTECTION PRESSURE REDUCING VALVE	73
NR3XL SERIES – PRESSURE REDUCING VALVE	80	ZW209 SERIES – PRESSURE REDUCING VALVE	66
OSY-40 – GATE VALVE SUPERVISORY SWITCH KIT	55	ZW215FP SERIES – FIRE PUMP SUCTION CONTROL VALVE	75
P1000AXL SERIES – PRESSURE RELIEF VALVE	108	ZW218 SERIES – SLOW CLOSE CHECK VALVE	71
P1500XL SERIES – CALIBRATED PRESSURE RELIEF VALVE	109	ZW221/ZW222 SERIES – ALTITUDE LEVEL CONTROL VALVES	72
P1520XL SERIES – THERMAL EXPANSION PRESSURE RELIEF VALVE	110	ZW1017XL –	
P1550XL SERIES – THERMAL EXPANSION PRESSURE RELIEF VALVE	110	AQUA-GARD® THERMOSTATIC MIXING VALVE (ASSE 1017 POINT OF SOURCE)	100
P3000BR SERIES – PRESSURE RELIEF VALVE	108	ZW1017XLHT –	
P3000CI SERIES – PRESSURE RELIEF VALVE	109	AQUA-GARD® THERMOSTATIC MIXING VALVE (ASSE 1017 POINT OF SOURCE)	101
P4000A – PRESSURE RELIEF VALVE	97	ZW1070XL –	
PRESSURE REDUCING VALVE REPAIR KITS	124	AQUA-GARD® THERMOSTATIC MIXING VALVE (ASSE 1070 POINT OF USE)	102
PRESSURE-TRU® Z2100/Z2105 SERIES – FIRE HOSE VALVE	90	ZW3870XLT AND ZW3870XLT-4P –	
PRESSURE-TRU® Z3000/Z3005 SERIES – FIRE HOSE VALVE	92	THERMOSTATIC MIXING VALVE (ASSE 1070 POINT OF USE)	103
PRESSURE-TRU® Z3004 SERIES – AUTOMATIC FIRE CONTROL VALVE	90	ZWFR – FREEZE RELIEF VALVE	54
PRESSURE-TRU® ZW4000 SERIES – FIRE HOSE VALVE	91		
PRESSURE-TRU® ZW4004 SERIES – AUTOMATIC FIRE CONTROL VALVE	91		
PRESSURE-TRU® ZW4100 SERIES – FIRE HOSE VALVE	93		
PRESSURE-TRU® ZW4104 SERIES – AUTOMATIC FIRE CONTROL VALVE	92		
PRESSURE VACUUM BREAKER REPAIR KITS	123		
QT/QTP – QUICK TEST BACKFLOW TEST FITTINGS	124		
QT-SET (BRASS) AND QTP (PLASTIC) – QUICK TEST FITTINGS	59		
RK-975TOOL – COMPLETE SET OF 950XL/975XL SEAT REMOVAL TOOLS	125		
RK-BVTOOL – BALL VALVE HANDLE SOCKETS 3/4", 1", 1-1/4", 1-1/2", AND 2"	125		
RP DETECTOR ASSEMBLY BYPASS REPLACEMENT KIT	121		
RPHBM REPAIR KITS	125		
RPHBM SERIES – HIGH CAPACITY HYDRANT BACKFLOW AND METER COMBINATION	35		
SECOND CHECK ASSEMBLY	120		
SMALL DIAMETER BACKFLOW PREVENTER REPAIR KITS	122		
SXL SERIES – WYE STRAINER	63		
TABLE OF CONTENTS BY PRODUCT CATEGORIES	4		
TABLE OF CONTENTS IN ALPHABETICAL ORDER	128		
TG-3 AND TG-5 – BACKFLOW ASSEMBLY TEST KITS	59		
THERMOSTATIC MIXING VALVES ACCESSORIES	104		
TP220 SERIES – COMMERCIAL TEMPERATURE AND PRESSURE VALVE	106		
TP1100A SERIES – RESIDENTIAL TEMPERATURE AND PRESSURE VALVE	106		
TP3000 SERIES – COMMERCIAL TEMPERATURE AND PRESSURE VALVE	107		
TPKXL SERIES – TAILPIECE KITS	86		
TPKXL SERIES – TAILPIECE KITS	104		
VR10XL SERIES – VACUUM RELIEF VALVE	116		
WATER PRESSURE REDUCING VALVE ACCESSORIES	86		
WBR SERIES – IN BUILDING RISERS	54		

NOTES

ZURN WILKINS 300AR SERIES ORDER FORM

Company Name	Contact
Address	Phone
City	Email
State	Zip Code
Project Location	
Rep Agency	Rep Contact
Ship Date	

FOR ZURN WILKINS CUSTOMER CARE ONLY

Sales Order #	PO #	Part #
---------------	------	--------

ORDER INFORMATION

	Ductile Iron Body Standard Valve (Lead Free)	Ductile Iron Body Detector Assembly (Lead Free)	Stainless Steel Body Standard Valve (Lead Free)	Stainless Steel Detector Assembly (Lead Free)
Double Check	<input type="checkbox"/> 350AR	<input type="checkbox"/> 350ADAR	<input type="checkbox"/> 350ASTR	<input type="checkbox"/> 350ASTDAR
Reduced Principle	<input type="checkbox"/> 375AR	<input type="checkbox"/> 375ADAR	<input type="checkbox"/> 375ASTR	<input type="checkbox"/> 375ASTDAR

Size	<input type="checkbox"/> 2-1/2"	<input type="checkbox"/> 3"	<input type="checkbox"/> 4"	<input type="checkbox"/> 6"	<input type="checkbox"/> 8"	<input type="checkbox"/> 10"
------	---------------------------------	-----------------------------	-----------------------------	-----------------------------	-----------------------------	------------------------------

Inlet Gate Valve	<input type="checkbox"/> NRS	<input type="checkbox"/> OS&Y	<input type="checkbox"/> Butterfly	<input type="checkbox"/> PI	<input type="checkbox"/> Other Details (include if .DOM. needed)
Outlet Gate Valve	<input type="checkbox"/> NRS	<input type="checkbox"/> OS&Y	<input type="checkbox"/> Butterfly	<input type="checkbox"/> PI	
Inlet End Connection	<input type="checkbox"/> Flanged		<input type="checkbox"/> Grooved		
Outlet End Connection	<input type="checkbox"/> Flanged		<input type="checkbox"/> Grooved		

VALVE TYPE BEING REPLACED (SUBMIT A SEPARATE FORM FOR EACH REPLACEMENT BACKFLOW)

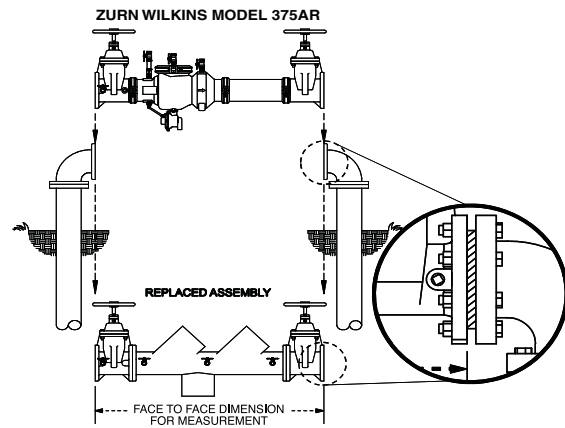
Manufacturer	Model
Face to Face Dimension (exact field measurement, $\pm 1/16"$) of the existing backflow preventer, including shut-offs (see image to the right)**	
Face to Face Dimension	

Assemblies manufactured within $+0"$ / $-1/4"$ tolerance of stated length.
Use 1/8" full-face rubber gaskets to make up tolerance gap.

CUSTOMER SIGNATURE TO GUARANTEE FIELD MEASUREMENT

300AR Series valve orders are non-cancellable and non-returnable. Signing this form guarantees the face to face dimensions to be accurate.

Signature
Date



VALVE SIZE	MINIMUM FACE TO FACE DIMENSION (OVERALL LAY LENGTH)				MAXIMUM LENGTHS		
	DUCTILE IRON BODY		STAINLESS STEEL BODY*		LENGTH RANGE "A"	LENGTH RANGE "B"	LENGTH RANGE "C"
	GATE VALVES	BUTTERFLY VALVES	GATE VALVES	BUTTERFLY VALVES			
2-1/2"	37-1/8"	34-1/8"	34"	31"	47-1/8"		
3"	38-1/8"	34-5/8"	35"	31-1/2"	48-1/8"		
4"	40-1/2"	35-3/4"	37-3/8"	32-5/8"	50"	62-1/4"	
6"	49-1/2"	42-1/2"	46"	39"	59"	71-1/4"	
8"	64-7/8"	57-7/8"	55-3/4"	48-3/4"	74"	86"	
10"	67-3/8"	61-3/8"	58-5/8"	52-5/8"	77"	89"	100-5/8"

Custom lengths longer than shown are available.

* Stainless steel backflow body is slightly shorter than ductile iron body.

**If ordered as a single part number including ancillary equipment such as wye strainers, the face to face length will be inclusive of that ancillary equipment, however the components may ship separately.

FAX or email this Order Form with the Purchase Order to: Zurn Wilkins Customer Care, FAX: 805- 237-7197, email: wilkinscs@zurn.com.

Zurn Industries, LLC
511 West Freshwater Way
Milwaukee, WI 53204

Zurn Wilkins
1747 Commerce Way
Paso Robles, CA 93446

In Canada
Zurn Industries Limited
7900 Goreway Drive, Unit 10
Brampton, ON L6T 5W6, 877.892.5216

ZURN.COM [US 1.855.0NE.ZURN](tel:18550NEZURN) [CANADA 1.877.892.5216](tel:18778925216)

