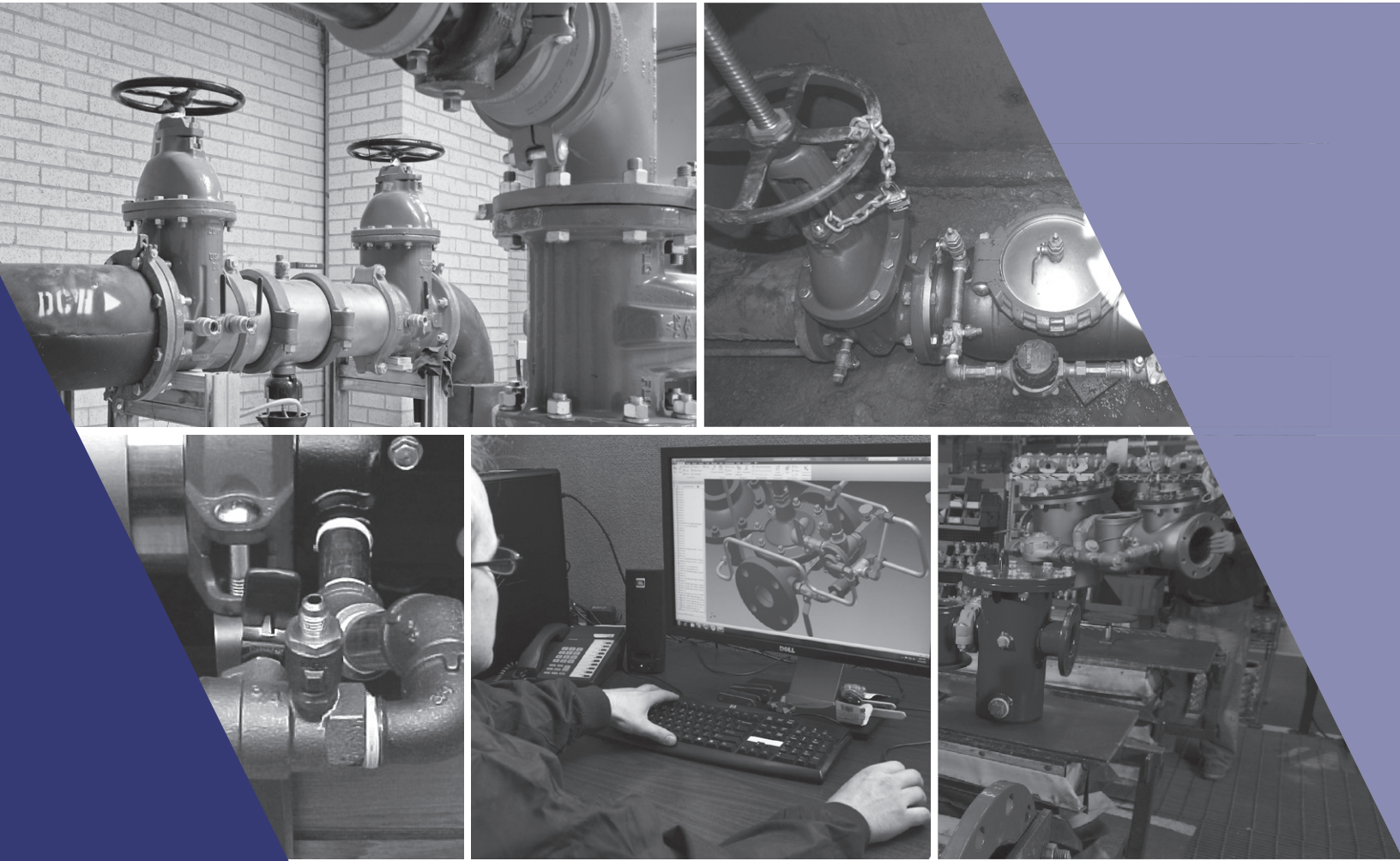


Price List

Backflow Prevention Products, Repair Kits, and Parts



Effective January 11, 2021

All prices supersede previous issues, are temporary and subject to change without notice.

Electronic is Green!

**For the latest Ames pricing information in
electronic format, visit our Data Exchange at:**

<http://www.wattswater.com/dataexchange>

- Download product and list price data in .csv, .pdf, .tsv, .xls and .xml formats
- Easy access to list price data for business systems
- Sign up for e-mail alerts when data is updated
- Access other Watts Water Technologies brands pricing data

Table of Contents — PRODUCTS

| Series | Page |
|---|-------|
| Single Detector Check Valves | |
| 1000SS DCV (Stainless Steel Body)..... | 3 |
| 1000 DCV (Fusion Bonded Epoxy Steel Body)..... | 3 |
| 1005 DCV (Fusion bonded Epoxy Steel Body)..... | 4 |
| 1010 DCV (Fusion Bonded Epoxy Steel Body)..... | 4 |
| 1000 DCV (Cast Iron Body)..... | 4 |
| ACVW-125 (Cast Iron Body)..... | 4 |
| In-Building Risers | |
| IBR (Stainless Steel)..... | 5 |
| Double Check Valve Assemblies | |
| 2000B/LF2000B. (Bronze Body)..... | 6 |
| C-200 (Stainless Steel Body)..... | 7 |
| M-200..... (Stainless Steel Body)..... | 8 |
| 2000SS..... (Stainless Steel Body)..... | 9 |
| Double Check Detector Assemblies | |
| 3000BM1 (Bronze Body)..... | 10 |
| C-300 (Stainless Steel Body)..... | 11-12 |
| M-300..... (Stainless Steel Body)..... | 12-13 |
| 3000SS..... (Stainless Steel Body)..... | 14-15 |
| Reduced Pressure Zone Assemblies | |
| 4000B/LF4000B. (Bronze Body)..... | 16 |
| C-400 (Stainless Steel Body)..... | 17 |
| M-400..... (Stainless Steel Body)..... | 18 |
| 4000SS..... (Stainless Steel Body)..... | 19 |
| Reduced Pressure Detector Assemblies | |
| C-500 (Stainless Steel Body)..... | 20-21 |
| M-500..... (Stainless Steel Body)..... | 21-23 |
| 5000SS..... (Stainless Steel Body)..... | 23-24 |
| Miscellaneous Backflow Products | |
| FFF/FPP Irrigation galvanized Swing Spring Check Valve..... | 23 |
| ASCV..... Anti-siphon Check Valve..... | 23 |
| 6000 HMB/ 4000 BLT Hydrant Meter Backflow | 23 |
| Miscellaneous Products | |
| 8000-F/8000-G . Stainless Steel Wye Strainers..... | 25 |
| 7001/7002..... Basket Strainers..... | 26 |
| LFAFBV-FP Gear Operated Slow-Close Ball Valve..... | 26 |
| AVS-C Valve Setters | 27 |
| Accessories | |
| Air gaps | 28 |
| Elbows..... | 28 |
| Test cocks | 28 |
| Test Kit | 28 |
| Meters..... | 28 |
| Spools/Flanges..... | 28 |

Table of Contents — REPAIR KITS & PARTS

| Series | Size | Page |
|---|-----------|-------|
| Single Check Valves | | |
| 1000DCV | 4" – 10" | 30 |
| 1000SS DCV | 4" – 10" | 31 |
| Double Check Valve Assemblies, Double Check Detector Assemblies | | |
| 200B | ½" – 2" | 32 |
| 2000B / LF2000B | ½" – 2" | 33 |
| 3000B | 2" | 34 |
| C200, C300 / LFC300..... | 2½" – 10" | 35 |
| C200(a), C300(a) | 2½" – 6" | 35 |
| M200, M300 / LFM300..... | 2½" – 10" | 36 |
| M200(a), M300(a) | 2½" – 4" | 36 |
| 2000SS, 3000SS..... | 2½" – 6" | 37 |
| 2000SE, 3000SE..... | 6" and 8" | 37 |
| 2000SS | 8" – 12" | 40 |
| 3000SS | 8" – 12" | 40 |
| 2001SS | 3" – 8" | 39 |
| 3001SS | 3" – 8" | 39 |
| 2000CIV | 2½" – 3" | 40 |
| 3000CIV | 2½" – 3" | 40 |
| 2000CIV | 4" – 10" | 41 |
| 3000CIV | 4" – 10" | 41 |
| 2000DCA..... | 4" – 10" | 42 |
| 3000DCDA..... | 4" – 10" | 42 |
| 2000DC..... | 4" – 10" | 43 |
| 3000DCDC..... | 4" – 10" | 43 |
| Reduced Pressure Zone Assemblies, Reduced Pressure Detector Assemblies | | |
| 400B | ¼" – 2" | 44 |
| 4000B / LF4000B | ½" – 2" | 45 |
| C400, C500 / LFC500 | 2½" – 10" | 46 |
| M400, M500 / LFM500 | 2½" – 10" | 47 |
| C400, C500 Relief Valve | | 48 |
| 4000SS | 2½" – 6" | 49 |
| 4000SS | 8" – 10" | 49 |
| 5000SS | 2½" – 6" | 49 |
| 4000CIV | 2½" – 3" | 50 |
| 4000CIV | 4" – 10" | 51 |
| 5000CIV | 2½" – 10" | 52-53 |
| 4000RP | 4" – 10" | 54 |
| 5000RPDA..... | 4" – 10" | 55 |
| 4000 Relief Valve | 4" – 10" | 56 |
| Miscellaneous | | |
| A200 | ½" – 2" | 57 |
| FFF, FPP, ASCV..... | 3" – 10" | 58 |
| Accessories | | |
| Air Gaps | | 59 |
| Elbows | | 59 |
| Test Cocks..... | | 59 |
| Test Kit | | 59 |
| Meters..... | | 59 |
| Ball Valves/Ball Valve Handle Kits..... | | 59 |
| Butterfly Valves | | 59 |
| Valve Stand | | 59 |
| Gate Valves | | 60 |
| Bypass Assemblies | | 61-62 |

- Freight Terms** All shipments are F.O.B. shipping point. Shipments from factory less than 1000 lbs. are F.O.B. factory. Factory shipments OF \$5000 net and over within the continental U.S.A. will be prepaid and allowed when made at the lowest motor carrier transportation rate.
- Terms of Sale** All sales are F.O.B. shipping point.
- Payment Terms** The invoices are due and payable 30 days from the date of invoice.
- Purchase Order Forms** Orders submitted on customers own purchase order forms will be accepted only with the express understanding that no statements, clauses, or conditions contained in said order form will be binding on the Seller if they in any way modify the Seller's own terms and conditions of sales.
- Stocking Wholesaler Minimum Charge** A minimum billing charge of \$100.00 applies to shipments F.O.B. factory. Stocking Wholesalers Customers are encouraged to order sufficient materials to avoid this charge which is necessitated by costs of processing small orders.
- Minimum Charge** A minimum billing charge of \$100.00 applies to shipments F.O.B. factory, necessitated by costs of processing small orders.
- Special Products** Orders for special or modified products are non-cancelable. In the event that the customer cancels an order for such products, Watts shall charge the customer an amount equal to Watts' costs and expenses incurred in performing the purchase order prior to receipt of notice of cancellation.
- Limited Warranty** Ames Fire & Waterworks (the "Company") warrants each product to be free from defects in material and workmanship under normal usage for a period of one year from the date of original shipment. In the event of such defects within the warranty period, the Company will, at its option, replace or recondition the product without charge.

THE WARRANTY SET FORTH HEREIN IS GIVEN EXPRESSLY AND IS THE ONLY WARRANTY GIVEN BY THE COMPANY WITH RESPECT TO THE PRODUCT. THE COMPANY MAKES NO OTHER WARRANTIES, EXPRESS OR IMPLIED. THE COMPANY HEREBY SPECIFICALLY DISCLAIMS ALL OTHER WARRANTIES, EXPRESS OR IMPLIED, INCLUDING BUT NOT LIMITED TO THE IMPLIED WARRANTIES OF MERCHANTABILITY AND FITNESS FOR A PARTICULAR PURPOSE.

The remedy described in the first paragraph of this warranty shall constitute the sole and exclusive remedy for breach of warranty, and the Company shall not be responsible for any incidental, special or consequential damages, including without limitation, lost profits or the cost of repairing or replacing other property which is damaged if this product does not work properly, other costs resulting from labor charges, delays, vandalism, negligence, fouling caused by foreign material, damage from adverse water conditions, chemical, or any other circumstances over which the Company has no control. This warranty shall be invalidated by any abuse, misuse, misapplication, improper installation or improper maintenance or alteration of the product. Some States do not allow limitations on how long an implied warranty lasts, and some States do not allow the exclusion or limitation of incidental or consequential damages. Therefore the above limitations may not apply to you. This Limited Warranty gives you specific legal rights, and you may have other rights that vary from State to State. You should consult applicable state laws to determine your rights. **SO FAR AS IS CONSISTENT WITH APPLICABLE STATE LAW, ANY IMPLIED WARRANTIES THAT MAY NOT BE DISCLAIMED, INCLUDING THE IMPLIED WARRANTIES OF MERCHANTABILITY AND FITNESS FOR A PARTICULAR PURPOSE, ARE LIMITED IN DURATION TO ONE YEAR FROM THE DATE OF ORIGINAL SHIPMENT.**

Service Policy For inoperative products beyond the warranty period, we assume no liability for replacement of valves due to service conditions beyond our control.

Returned Goods No material shall be returned without authorization. When credit is issued it will be at the price charged, or prevailing price if lower, less handling charges based on costs of reconditioning, boxing, etc. However, a minimum 25% handling charge will apply. A minimum handling charge of \$20.00 is applied whenever the 25% handling deduction does not total \$20.00. Products which are obsolete or made to special order are not returnable.

Note Prices and terms are subject to change without notice and supersede all previous quotations. The right is reserved to change or modify products design or construction without prior notice and without incurring any obligation to make such changes and modifications on products previously or subsequently sold.



Single Detector Check Valves



4" – 6" 1000SS-DCV



8" – 10" 1000SS-DCV



1000-DCV

| MODEL | ORDERING CODE | SIZE | QTY. PER CARTON | WEIGHT PER CARTON (LBS.) | LIST PRICE (EACH) |
|-------|---------------|------|-----------------|--------------------------|-------------------|
|-------|---------------|------|-----------------|--------------------------|-------------------|

1000SS DCV - Stainless Steel Bodies, Drilled, tapped and plugged for right or left bypass line. 125# flanged end connections. *UL/FM ♦UL

| | | | | | | |
|------------------------------|---------|---------|-----|---|-----|-------------|
| 1000SS-DCV♦ | 0690829 | – | 4" | 1 | 54 | \$ 1,637.00 |
| 1000SS-DCV♦ | 0690836 | – | 6" | 1 | 86 | 2,421.00 |
| 1000SS-DCV* | 0690869 | – | 8" | 1 | 139 | 3,924.00 |
| 1000SS-DCV* | 0690870 | – | 10" | 1 | 161 | 7,131.00 |
| 1000SS-DCV w/bypass-CFM/GPM♦ | 0690972 | 0690831 | 4" | 1 | 59 | 2,831.00 |
| 1000SS-DCV w/bypass-CFM/GPM♦ | 0690973 | 0690837 | 6" | 1 | 91 | 3,821.00 |
| 1000SS-DCV w/bypass-CFM/GPM* | 0691522 | 0691520 | 8" | 1 | 160 | 5,746.00 |
| 1000SS-DCV w/bypass-CFM/GPM* | 0691523 | 0691521 | 10" | 1 | 174 | 9,939.00 |

Less meter

| | | | | | | |
|-------------------------|---------|---|-----|---|-----|----------|
| 1000SS-DCV w/bypass-LM♦ | 0691702 | – | 4" | 1 | 57 | 2,714.00 |
| 1000SS-DCV w/bypass-LM♦ | 0691703 | – | 6" | 1 | 89 | 3,704.00 |
| 1000SS-DCV w/bypass-LM* | 0691719 | – | 8" | 1 | 158 | 5,629.00 |
| 1000SS-DCV w/bypass-LM* | 0691720 | – | 10" | 1 | 172 | 9,821.00 |

1000 DCV - Fusion Bonded Epoxy Steel Bodies, Drilled, tapped and plugged for right or left bypass line. 125# flanged end connections. UL/FM.

| | | | | | | |
|---------------------------|---------|---------|-----|---|-----|-----------|
| 1000-DCV | 0690264 | – | 4" | 1 | 65 | 1,976.00 |
| 1000-DCV | 0690265 | – | 6" | 1 | 101 | 2,921.00 |
| 1000-DCV | 0690266 | – | 8" | 1 | 159 | 4,735.00 |
| 1000-DCV | 0690267 | – | 10" | 1 | 184 | 8,605.00 |
| 1000-DCV (Not UL/FM) | 0691678 | – | 12" | 1 | 190 | 12,711.00 |
| 1000-DCV w/bypass-CFM/GPM | 0690871 | 0690312 | 4" | 1 | 75 | 2,734.00 |
| 1000-DCV w/bypass-CFM/GPM | 0690872 | 0690313 | 6" | 1 | 111 | 3,690.00 |
| 1000-DCV w/bypass-CFM/GPM | 0690873 | 0690314 | 8" | 1 | 169 | 5,549.00 |
| 1000-DCV w/bypass-CFM/GPM | 0690874 | 0690315 | 10" | 1 | 194 | 9,596.00 |

Less meter

| | | | | | | |
|----------------------|---------|---|-----|---|-----|----------|
| 1000-DCV w/bypass-LM | 7016184 | – | 4" | 1 | 73 | 2,631.00 |
| 1000-DCV w/bypass-LM | 7016185 | – | 6" | 1 | 109 | 3,584.00 |
| 1000-DCV w/bypass-LM | 7016186 | – | 8" | 1 | 167 | 5,445.00 |
| 1000-DCV w/bypass-LM | 7016187 | – | 10" | 1 | 192 | 9,493.00 |

GPM - Gallons per minute
 CPM - Cubic Feet per minute
 LM - Less Meter



*The wetted surface of this product contacted by consumable water contains less than 0.25% of lead by weight.

Single Detector Check Valves and In-Building Risers



1005-DCV

| MODEL | ORDERING CODE | SIZE | QTY. PER CARTON | WEIGHT PER CARTON (LBS.) | LIST PRICE (EACH) |
|-------|---------------|------|-----------------|--------------------------|-------------------|
|-------|---------------|------|-----------------|--------------------------|-------------------|

1005 DCV - Fusion Bonded Epoxy Steel Bodies, Drilled, tapped and plugged for right or left bypass line. 125# flanged x Grooved end connections.

| | | | | | | |
|---------------------------|---------|---------|----|---|-----|-------------|
| 1005-DCV | 0690612 | - | 4" | 1 | 61 | \$ 2,036.00 |
| 1005-DCV | 0690629 | - | 6" | 1 | 96 | 3,006.00 |
| 1005-DCV w/bypass-CFM/GPM | 0690952 | 0690613 | 4" | 1 | 74 | 2,817.00 |
| 1005-DCV w/bypass-CFM/GPM | 0690960 | 0690630 | 6" | 1 | 101 | 3,802.00 |

Less meter

| | | | | | | |
|----------------------|---------|---|----|---|----|----------|
| 1005-DCV w/bypass-LM | 0691558 | - | 4" | 1 | 72 | 2,708.00 |
| 1005-DCV w/bypass-LM | 0691559 | - | 6" | 1 | 99 | 3,691.00 |

1010 DCV - Fusion Bonded Epoxy Steel Bodies, Drilled, tapped and plugged for right or left bypass line. Groove x Groove end connections.

| | | | | | | |
|---------------------------|---------|---------|----|---|-----|----------|
| 1010-DCV | 0690614 | - | 4" | 1 | 63 | 2,036.00 |
| 1010-DCV | 0690631 | - | 6" | 1 | 96 | 3,006.00 |
| 1010-DCV w/bypass-CFM/GPM | 0690953 | 0690615 | 4" | 1 | 63 | 2,817.00 |
| 1010-DCV w/bypass-CFM/GPM | 0690961 | 0690632 | 6" | 1 | 101 | 3,802.00 |

Less meter

| | | | | | | |
|----------------------|---------|---|----|---|----|----------|
| 1010-DCV w/bypass-LM | 7016189 | - | 4" | 1 | 61 | 2,708.00 |
| 1010-DCV w/bypass-LM | 7016190 | - | 6" | 1 | 99 | 3,691.00 |

1000 DCV - Cast Iron Bodies - Available with Flanged or Threaded end connections.

| | | | | | | |
|-------------------------------|---------|---------|--------|---|----|----------|
| 1000-DCV-FLG | 0690259 | - | 2" | 1 | 31 | 1,762.00 |
| 1000-DCV-FLG w/bypass-CFM/GPM | 0690868 | 0690257 | 1 1/2" | 1 | 31 | 2,249.00 |
| 1000-DCV-FLG w/bypass-CFM/GPM | 0691508 | 0690261 | 2" | 1 | 38 | 2,148.00 |
| 1000-DCV-THD w/bypass-CFM/GPM | 0691507 | 0690260 | 2" | 1 | 38 | 2,148.00 |

Less meter

| | | | | | | |
|--------------------------|---------|---|--------|---|----|----------|
| 1000-DCV-FLG w/bypass-LM | 7016181 | - | 1 1/2" | 1 | 29 | 2,139.00 |
| 1000-DCV-FLG w/bypass-LM | 0690263 | - | 2" | 1 | 36 | 2,041.00 |
| 1000-DCV-THD w/bypass-LM | 7016182 | - | 2" | 1 | 36 | 2,041.00 |

Cast Iron Silent Check Valves

| | | | | | | |
|----------|---------|---|--------|---|-----|----------|
| ACVW-125 | 0625600 | - | 2 | 1 | 5 | 709.50 |
| ACVW-125 | 0625601 | - | 2 1/2" | 1 | 7 | 845.00 |
| ACVW-125 | 0625602 | - | 3 | 1 | 11 | 955.50 |
| ACVW-125 | 0625603 | - | 4 | 1 | 18 | 1,278.00 |
| ACVW-125 | 0625604 | - | 5 | 1 | 25 | 1,731.00 |
| ACVW-125 | 0625605 | - | 6 | 1 | 36 | 2,204.00 |
| ACVW-125 | 0625606 | - | 8 | 1 | 80 | 3,709.00 |
| ACVW-125 | 0625607 | - | 10 | 1 | 129 | 5,519.00 |

LEAD FREE*



ACVW-125

GPM - Gallons per minute
 CPM - Cubic Feet per minute
 LM - Less Meter



*The wetted surface of this product contacted by consumable water contains less than 0.25% of lead by weight.

Single Detector Check Valves and In-Building Risers



In-Building Risers

| MODEL | ORDERING CODE | SIZE | QTY. PER CARTON | WEIGHT PER CARTON (LBS.) | LIST PRICE (EACH) |
|-------|---------------|------|-----------------|--------------------------|-------------------|
|-------|---------------|------|-----------------|--------------------------|-------------------|

In-Building Risers-

| | | STAINLESS STEEL | UNIT WEIGHT | | | |
|-----------|--------------------|-----------------|-------------|----|-----|-------------|
| LEAD FREE | 6' x 6' Grv x CIPS | 0690970 | 4" | 14 | 71 | \$ 1,750.00 |
| | 6' x 6' Grv x CIPS | 0690969 | 6" | 10 | 98 | 2,533.00 |
| | 6' x 6' Grv x CIPS | 0690968 | 8" | 3 | 129 | 3,464.00 |
| | 6' x 6' Grv x CIPS | 0690971 | 10" | 2 | 202 | 5,334.00 |
| | 5' x 7' Grv x CIPS | 88008106 | 4" | 5 | 188 | 5,334.00 |
| | 5' x 7' Grv x CIPS | 88008107 | 6" | 4 | 234 | 5,334.00 |
| | 5' x 7' Grv x CIPS | 88008108 | 8" | 3 | 375 | 5,334.00 |
| | 5' x 7' Grv x CIPS | 88008109 | 10" | 2 | 390 | 5,334.00 |
| | | STAINLESS STEEL | UNIT WEIGHT | | | |
| LEAD FREE | 6' x 6' Flg x CIPS | 0691160 | 4" | 12 | 71 | 1,750.00 |
| | 6' x 6' Flg x CIPS | 0691161 | 6" | 5 | 98 | 2,533.00 |
| | 6' x 6' Flg x CIPS | 0691162 | 8" | 3 | 129 | 3,464.00 |
| | 6' x 6' Flg x CIPS | 0691163 | 10" | 2 | 202 | 5,334.00 |
| | 5' x 7' Flg x CIPS | 88008110 | 4" | 5 | 188 | 1,750.00 |
| | 5' x 7' Flg x CIPS | 88008111 | 6" | 4 | 235 | 2,533.00 |
| | 5' x 7' Flg x CIPS | 88008112 | 8" | 3 | 375 | 3,464.00 |
| | 5' x 7' Flg x CIPS | 88008113 | 10" | 2 | 390 | 5,334.00 |

IBR2 Small Diameter In-Building Risers

| | | | | | | |
|-----------|-------------------|----------|-------|----|-----|----------|
| LEAD FREE | 6' x 6' Grv x Grv | 88006374 | 2 | 13 | 53 | 684.00 |
| | 6' x 6' Thd x Thd | 88006372 | 2 | 13 | 53 | 684.00 |
| | 6' x 6' Grv x Thd | 88006373 | 2 | 13 | 53 | 684.00 |
| | 4' x 6' Grv x Grv | 88006371 | 2 | 13 | 47 | 640.00 |
| | 4' x 6' Thd x Thd | 88006369 | 2 | 13 | 47 | 640.00 |
| | 4' x 6' Grv x Thd | 88006370 | 2 | 13 | 47 | 640.00 |
| | 4' x 4' Grv x Grv | 88006368 | 2 | 13 | 41 | 587.00 |
| | 4' x 4' Thd x Thd | 88006366 | 2 | 13 | 41 | 587.00 |
| | 4' x 4' Grv x Thd | 88006367 | 2 | 13 | 41 | 587.00 |
| | 6' x 6' Grv x Grv | 88006666 | 2 1/2 | 11 | 84 | 1,000.00 |
| | 6' x 6' Thd x Thd | 88006667 | 2 1/2 | 10 | 84 | 1,000.00 |
| | 6' x 6' Grv x Thd | 88006665 | 2 1/2 | 11 | 84 | 1,000.00 |
| | 4' x 6' Grv x Grv | 88006663 | 2 1/2 | 11 | 72 | 934.00 |
| | 4' x 6' Thd x Thd | 88006662 | 2 1/2 | 11 | 72 | 813.00 |
| | 4' x 6' Grv x Thd | 88006664 | 2 1/2 | 11 | 72 | 934.00 |
| | 4' x 4' Grv x Grv | 88006660 | 2 1/2 | 11 | 64 | 813.00 |
| | 4' x 4' Thd x Thd | 88006661 | 2 1/2 | 11 | 64 | 934.00 |
| | 4' x 4' Grv x Thd | 88006659 | 2 1/2 | 11 | 64 | 813.00 |
| | 6' x 6' Grv x Grv | 88006697 | 3 | 9 | 107 | 1,111.00 |
| | 6' x 6' Thd x Thd | 88006695 | 3 | 9 | 107 | 1,111.00 |
| | 6' x 6' Grv x Thd | 88006696 | 3 | 9 | 107 | 1,111.00 |
| | 4' x 6' Grv x Grv | 88006694 | 3 | 9 | 92 | 1,024.00 |
| | 4' x 6' Thd x Thd | 88006692 | 3 | 9 | 92 | 1,024.00 |
| | 4' x 6' Grv x Thd | 88006693 | 3 | 9 | 92 | 1,024.00 |
| | 4' x 4' Grv x Grv | 88006691 | 3 | 9 | 77 | 870.00 |
| | 4' x 4' Thd x Thd | 88006689 | 3 | 9 | 77 | 870.00 |
| | 4' x 4' Grv x Thd | 88006690 | 3 | 9 | 77 | 870.00 |
| | Flange Adaptor | 88008100 | 2 | - | 5 | 128.00 |
| | Flange Adaptor | 88008101 | 2 1/2 | - | 8 | 154.00 |
| | Flange Adaptor | 88008102 | 3 | - | 9 | 170.00 |
| | FNPT Adaptor | 88008103 | 2 | - | 2 | 51.00 |
| | FNPT Adaptor | 88008104 | 2 1/2 | - | 3 | 100.00 |
| | FNPT Adaptor | 88008105 | 3 | - | 4 | 123.00 |

- CIPS - Cast Iron Pipe Size-

- For modified lengths contact factory for pricing.-



*The wetted surface of this product contacted by consumable water contains less than 0.25% of lead by weight.

Double Check Valve Assemblies

| MODEL | ORDERING CODE | SIZE | QTY. PER CARTON | WEIGHT PER CARTON (LBS.) | LIST PRICE (EACH) |
|-------|---------------|------|-----------------|--------------------------|-------------------|
|-------|---------------|------|-----------------|--------------------------|-------------------|

Double Check Valve Assembly - Bronze Body

With Ball Valves

| | | | | | | |
|-----------|---------|---|--------|---|----|-----------|
| 2000B | 0062490 | - | 1/2" | 1 | 3 | \$ 311.50 |
| 2000B-M3 | 0062489 | - | 3/4" | 1 | 7 | 352.50 |
| 2000B | 0062492 | - | 1" | 1 | 10 | 397.50 |
| 2000B | 0062493 | - | 1 1/4" | 1 | 23 | 585.00 |
| 2000B | 0062494 | - | 1 1/2" | 1 | 25 | 736.50 |
| 2000B | 0062495 | - | 2" | 1 | 26 | 824.50 |
| LF2000B | 0122630 | - | 1/2" | 1 | 3 | 390.00 |
| LF2000BM3 | 0425000 | - | 3/4" | 1 | 7 | 439.50 |
| LF2000BM1 | 0425001 | - | 1" | 1 | 10 | 497.00 |
| LF2000BM2 | 0425002 | - | 1 1/4" | 1 | 23 | 729.50 |
| LF2000BM2 | 0425003 | - | 1 1/2" | 1 | 25 | 919.50 |
| LF2000BM1 | 0425004 | - | 2" | 1 | 26 | 1,031.00 |

Less Ball Valves

| | | | | | | |
|--------------|---------|---|------|---|---|--------|
| 2000B-LBV | 0062472 | - | 1/2" | 1 | 2 | 276.00 |
| 2000B-M3-LBV | 0062538 | - | 3/4" | 1 | 6 | 313.50 |
| 2000B-LBV | 0062474 | - | 1" | 1 | 8 | 354.50 |

Less Ball Valves

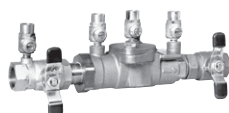
| | | | | | | |
|---------------|---------|---|--------|---|----|--------|
| LF2000BM3-LBV | 0425005 | - | 3/4" | 1 | 6 | 392.50 |
| LF2000BM1-LBV | 0425006 | - | 1" | 1 | 8 | 441.00 |
| LF2000BM2-LBV | 0122629 | - | 1 1/4" | 1 | 18 | 605.00 |
| LF2000BM2-LBV | 0425008 | - | 1 1/2" | 1 | 20 | 711.00 |
| LF2000BM1-LBV | 0425009 | - | 2" | 1 | 21 | 797.50 |

With Inlet/Outlet Gear Operated Slow Close Isolation Valves

| | Threaded | Grooved | | | | |
|--------------|----------|----------|-------|---|----|----------|
| 2000BM1-FP | 88007304 | 88005581 | 1 | 1 | 13 | 1,675.00 |
| 2000BM2-FP | 88007305 | 88005578 | 1 1/4 | 1 | 17 | 1,897.00 |
| 2000BM2-FP | 88007306 | 88005580 | 1 1/2 | 1 | 19 | 2,177.00 |
| 2000BM1-FP | 88007307 | 88005579 | 2 | 1 | 25 | 2,473.00 |
| LF2000BM1-FP | 88007252 | 88007253 | 1 | 1 | 13 | 1,751.00 |
| LF2000BM2-FP | 88007254 | 88007255 | 1 1/4 | 1 | 17 | 1,984.00 |
| LF2000BM2-FP | 88007256 | 88007257 | 1 1/2 | 1 | 19 | 2,276.00 |
| LF2000BM1-FP | 88007258 | 88007259 | 2 | 1 | 25 | 2,585.00 |

With quarter-turn shutoff valves. Inlet/Outlet fire hydrant fittings (2 1/2" inlet female hose thread swivel x 2 1/2" outlet male NST)

| | | | | | | |
|----------|---------|---|----|---|----|----------|
| 2000B-HC | 0691939 | - | 2" | 1 | 31 | 4,697.00 |
|----------|---------|---|----|---|----|----------|



2000B/LF2000B

LEAD FREE*



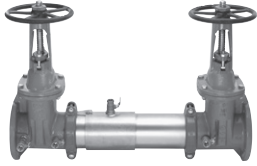
2000B-FP

LEAD FREE*



2000B-HC

Double Check Valve Assemblies



C-200-OSY

| MODEL | ORDERING CODE | SIZE | QTY. PER CARTON | WEIGHT PER CARTON (LBS.) | LIST PRICE (EACH) |
|-------|---------------|------|-----------------|--------------------------|-------------------|
|-------|---------------|------|-----------------|--------------------------|-------------------|

Double Check Valve Assembly - Stainless Steel Body

With OSY resilient seated shutoff valves

| | | | | | | | |
|------------|-----------|---------|---|--------|---|-----|-------------|
| LEAD FREE* | C-200-OSY | 0191198 | - | 2 1/2" | 1 | 125 | \$ 2,848.00 |
| | C-200-OSY | 0191199 | - | 3" | 1 | 145 | 2,897.00 |
| | C-200-OSY | 0191200 | - | 4" | 1 | 161 | 3,424.00 |
| | C-200-OSY | 0191201 | - | 6" | 1 | 295 | 5,344.00 |
| | C-200-OSY | 0191202 | - | 8" | 1 | 480 | 10,559.00 |
| | C-200-OSY | 0191203 | - | 10" | 1 | 781 | 16,684.00 |

N-Pattern with OSY resilient seated shutoff valves

| | | | | | | | |
|------------|------------|---------|---|--------|---|-----|-----------|
| LEAD FREE* | C-200N-OSY | 0191204 | - | 2 1/2" | 1 | 133 | 3,071.00 |
| | C-200N-OSY | 0191205 | - | 3" | 1 | 158 | 3,134.00 |
| | C-200N-OSY | 0191206 | - | 4" | 1 | 184 | 3,740.00 |
| | C-200N-OSY | 0191207 | - | 6" | 1 | 336 | 5,956.00 |
| | C-200N-OSY | 0191208 | - | 8" | 1 | 555 | 11,723.00 |
| | C-200N-OSY | 0191209 | - | 10" | 1 | 950 | 19,634.00 |

Double Check Valve Assemblies - Stainless Steel Body

With NRS resilient seated shutoff valves

| | | | | | | | |
|------------|-----------|---------|---|--------|---|-----|-----------|
| LEAD FREE* | C-200-NRS | 0191210 | - | 2 1/2" | 1 | 115 | 3,041.00 |
| | C-200-NRS | 0191211 | - | 3" | 1 | 131 | 3,072.00 |
| | C-200-NRS | 0191212 | - | 4" | 1 | 161 | 3,594.00 |
| | C-200-NRS | 0191213 | - | 6" | 1 | 273 | 5,779.00 |
| | C-200-NRS | 0191214 | - | 8" | 1 | 438 | 11,580.00 |
| | C-200-NRS | 0191215 | - | 10" | 1 | 721 | 16,292.00 |

N-Pattern with NRS resilient seated shutoff valves

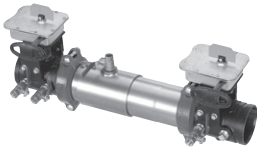
| | | | | | | | |
|------------|------------|---------|---|--------|---|-----|-----------|
| LEAD FREE* | C-200N-NRS | 0191216 | - | 2 1/2" | 1 | 123 | 3,286.00 |
| | C-200N-NRS | 0191217 | - | 3" | 1 | 144 | 3,326.00 |
| | C-200N-NRS | 0191218 | - | 4" | 1 | 184 | 3,941.00 |
| | C-200N-NRS | 0191219 | - | 6" | 1 | 314 | 6,451.00 |
| | C-200N-NRS | 0191220 | - | 8" | 1 | 513 | 12,860.00 |
| | C-200N-NRS | 0191221 | - | 10" | 1 | 891 | 19,455.00 |

With gear operated, UL/FM Butterfly valves

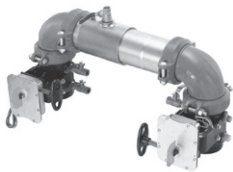
| | | | | | | | |
|------------|-----------|---------|---|--------|---|-----|-----------|
| LEAD FREE* | C-200-BFG | 0191222 | - | 2 1/2" | 1 | 56 | 3,237.00 |
| | C-200-BFG | 0191223 | - | 3" | 1 | 54 | 3,290.00 |
| | C-200-BFG | 0191224 | - | 4" | 1 | 61 | 3,827.00 |
| | C-200-BFG | 0191225 | - | 6" | 1 | 150 | 5,800.00 |
| | C-200-BFG | 0191419 | - | 8" | 1 | 400 | 11,132.00 |

N-Pattern with gear operated, UL/FM Butterfly valves

| | | | | | | | |
|------------|------------|---------|---|--------|---|-----|-----------|
| LEAD FREE* | C-200N-BFG | 0191226 | - | 2 1/2" | 1 | 64 | 3,482.00 |
| | C-200N-BFG | 0191227 | - | 3" | 1 | 67 | 3,547.00 |
| | C-200N-BFG | 0191228 | - | 4" | 1 | 84 | 4,169.00 |
| | C-200N-BFG | 0191229 | - | 6" | 1 | 157 | 6,440.00 |
| | C-200N-BFG | 0191420 | - | 8" | 1 | 337 | 12,335.00 |

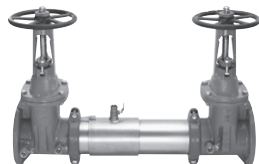


C-200-BFG



C-200N-BFG

Double Check Valve Assemblies



M-200-OSY

| MODEL | ORDERING CODE | SIZE | QTY. PER CARTON | WEIGHT PER CARTON (LBS.) | LIST PRICE (EACH) |
|-------|---------------|------|-----------------|--------------------------|-------------------|
|-------|---------------|------|-----------------|--------------------------|-------------------|

Double Check Valve Assemblies - Stainless Steel Body

With OSY resilient seated shutoff valves

| | | | | | | | |
|------------|-----------|---------|---|--------|---|-----|-------------|
| LEAD FREE* | M-200-OSY | 0191000 | - | 2 1/2" | 1 | 125 | \$ 3,834.00 |
| | M-200-OSY | 0191001 | - | 3" | 1 | 145 | 4,024.00 |
| | M-200-OSY | 0191002 | - | 4" | 1 | 219 | 4,753.00 |
| | M-200-OSY | 0191003 | - | 6" | 1 | 389 | 7,470.00 |
| | M-200-OSY | 0191004 | - | 8" | 1 | 564 | 14,400.00 |
| | M-200-OSY | 0191005 | - | 10" | 1 | 780 | 24,667.00 |

N-Pattern with OSY resilient seated shutoff valves

| | | | | | | | |
|------------|------------|---------|---|--------|---|-----|-----------|
| LEAD FREE* | M-200N-OSY | 0191006 | - | 2 1/2" | 1 | 133 | 4,216.00 |
| | M-200N-OSY | 0191007 | - | 3" | 1 | 158 | 4,302.00 |
| | M-200N-OSY | 0191008 | - | 4" | 1 | 242 | 5,137.00 |
| | M-200N-OSY | 0191009 | - | 6" | 1 | 430 | 8,180.00 |
| | M-200N-OSY | 0191010 | - | 8" | 1 | 640 | 16,100.00 |
| | M-200N-OSY | 0191011 | - | 10" | 1 | 951 | 26,971.00 |

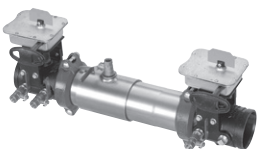
With NRS resilient seated shutoff valves

| | | | | | | | |
|------------|-----------|---------|---|--------|---|-----|-----------|
| LEAD FREE* | M-200-NRS | 0191012 | - | 2 1/2" | 1 | 115 | 3,690.00 |
| | M-200-NRS | 0191013 | - | 3" | 1 | 131 | 3,998.00 |
| | M-200-NRS | 0191014 | - | 4" | 1 | 219 | 4,496.00 |
| | M-200-NRS | 0191015 | - | 6" | 1 | 368 | 7,226.00 |
| | M-200-NRS | 0191016 | - | 8" | 1 | 522 | 14,245.00 |
| | M-200-NRS | 0191017 | - | 10" | 1 | 761 | 19,850.00 |

N-Pattern with NRS resilient seated shutoff valves

| | | | | | | | |
|------------|------------|---------|---|--------|---|-----|-----------|
| LEAD FREE* | M-200N-NRS | 0191018 | - | 2 1/2" | 1 | 123 | 4,060.00 |
| | M-200N-NRS | 0191019 | - | 3" | 1 | 144 | 4,111.00 |
| | M-200N-NRS | 0191020 | - | 4" | 1 | 242 | 4,872.00 |
| | M-200N-NRS | 0191021 | - | 6" | 1 | 408 | 7,973.00 |
| | M-200N-NRS | 0191022 | - | 8" | 1 | 598 | 15,897.00 |
| | M-200N-NRS | 0191023 | - | 10" | 1 | 891 | 24,054.00 |

With gear operated, UL/FM Butterfly valves



M-200-BFG

| | | | | | | | |
|------------|-----------|---------|---|--------|---|-----|-----------|
| LEAD FREE* | M-200-BFG | 0191024 | - | 2 1/2" | 1 | 56 | 4,726.00 |
| | M-200-BFG | 0191025 | - | 3" | 1 | 54 | 4,939.00 |
| | M-200-BFG | 0191026 | - | 4" | 1 | 119 | 5,745.00 |
| | M-200-BFG | 0191027 | - | 6" | 1 | 211 | 8,778.00 |
| | M-200-BFG | 0191425 | - | 8" | 1 | 345 | 16,479.00 |

N-Pattern with gear operated, UL/FM Butterfly valves

| | | | | | | | |
|------------|------------|---------|---|--------|---|-----|-----------|
| LEAD FREE* | M-200N-BFG | 0191028 | - | 2 1/2" | 1 | 64 | 5,674.00 |
| | M-200N-BFG | 0191029 | - | 3" | 1 | 67 | 5,780.00 |
| | M-200N-BFG | 0191030 | - | 4" | 1 | 142 | 6,803.00 |
| | M-200N-BFG | 0191031 | - | 6" | 1 | 251 | 10,534.00 |
| | M-200N-BFG | 0191426 | - | 8" | 1 | 421 | 20,215.00 |

Double Check Valve Assemblies

| MODEL | ORDERING CODE | SIZE | QTY. PER CARTON | WEIGHT PER CARTON (LBS.) | LIST PRICE (EACH) |
|-------|---------------|------|-----------------|--------------------------|-------------------|
|-------|---------------|------|-----------------|--------------------------|-------------------|

Double Check Valve Assemblies - Stainless Steel Body (cont.)

Less shutoff valves

| LEAD FREE* | MODEL | ORDERING CODE | SIZE | QTY. PER CARTON | WEIGHT PER CARTON (LBS.) | LIST PRICE (EACH) |
|------------|-----------|---------------|--------|-----------------|--------------------------|-------------------|
| | 2000SS-LG | 0690471 | 2 1/2" | 1 | 45 | \$ 2,281.00 |
| | 2000SS-LG | 0690480 | 3" | 1 | 50 | 2,200.00 |
| | 2000SS-LG | 0690489 | 4" | 1 | 75 | 2,780.00 |
| | 2000SS-LG | 0690499 | 6" | 1 | 112 | 4,587.00 |
| | 2000SS-LG | 0690452 | 8" | 1 | 205 | 9,767.00 |
| | 2000SS-LG | 0690529 | 10" | 1 | 220 | 12,608.00 |
| | 2000SS-LG | 0690562 | 12" | 1 | 240 | 17,768.00 |

With OSY resilient seated shutoff valves

| LEAD FREE* | MODEL | ORDERING CODE | SIZE | QTY. PER CARTON | WEIGHT PER CARTON (LBS.) | LIST PRICE (EACH) |
|------------|-------------|---------------|--------|-----------------|--------------------------|-------------------|
| | 2000SS-OSY | 0690472 | 2 1/2" | 1 | 198 | 3,471.00 |
| | 2000SS-OSY | 0690481 | 3" | 1 | 235 | 3,621.00 |
| | 2000SS-OSY | 0690490 | 4" | 1 | 301 | 4,303.00 |
| | 2000SS-OSY | 0690500 | 6" | 1 | 458 | 6,765.00 |
| | 2000SS-OSY | 0690453 | 8" | 1 | 720 | 13,040.00 |
| | 2000SS-OSY | 0690530 | 10" | 1 | 1080 | 18,303.00 |
| | 2000SS-DOSY | 0690563 | 12" | 1 | 1440 | 24,981.00 |

With NRS resilient seated shutoff valves

| LEAD FREE* | MODEL | ORDERING CODE | SIZE | QTY. PER CARTON | WEIGHT PER CARTON (LBS.) | LIST PRICE (EACH) |
|------------|-------------|---------------|--------|-----------------|--------------------------|-------------------|
| | 2000SS-NRS | 0690473 | 2 1/2" | 1 | 195 | 3,444.00 |
| | 2000SS-NRS | 0690482 | 3" | 1 | 230 | 3,753.00 |
| | 2000SS-NRS | 0690491 | 4" | 1 | 293 | 4,196.00 |
| | 2000SS-NRS | 0690501 | 6" | 1 | 458 | 6,743.00 |
| | 2000SS-NRS | 0690454 | 8" | 1 | 710 | 13,291.00 |
| | 2000SS-NRS | 0690531 | 10" | 1 | 1080 | 17,980.00 |
| | 2000SS-DNRS | 0690564 | 12" | 1 | 1440 | 23,546.00 |

With OSY resilient seated shutoff valves - Groove Inlet x Groove Outlet

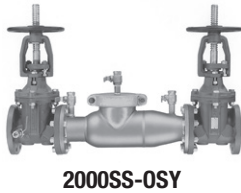
| LEAD FREE* | MODEL | ORDERING CODE | SIZE | QTY. PER CARTON | WEIGHT PER CARTON (LBS.) | LIST PRICE (EACH) |
|------------|-----------------|---------------|--------|-----------------|--------------------------|-------------------|
| | 2000SS-DOSY-GxG | 0690770 | 2 1/2" | 1 | 198 | 3,471.00 |
| | 2000SS-DOSY-GxG | 0690773 | 3" | 1 | 235 | 3,621.00 |
| | 2000SS-DOSY-GxG | 0690776 | 4" | 1 | 301 | 4,303.00 |
| | 2000SS-DOSY-GxG | 0690779 | 6" | 1 | 458 | 6,765.00 |
| | 2000SS-DOSY-GxG | 0690782 | 8" | 1 | 720 | 13,040.00 |
| | 2000SS-DOSY-GxG | 0690785 | 10" | 1 | 1080 | 18,303.00 |

With OSY resilient seated shutoff valves - Groove Inlet x Flange Outlet

| LEAD FREE* | MODEL | ORDERING CODE | SIZE | QTY. PER CARTON | WEIGHT PER CARTON (LBS.) | LIST PRICE (EACH) |
|------------|-----------------|---------------|--------|-----------------|--------------------------|-------------------|
| | 2000SS-DOSY-GxF | 0690771 | 2 1/2" | 1 | 198 | 3,471.00 |
| | 2000SS-DOSY-GxF | 0690774 | 3" | 1 | 235 | 3,621.00 |
| | 2000SS-DOSY-GxF | 0690777 | 4" | 1 | 301 | 4,303.00 |
| | 2000SS-DOSY-GxF | 0690780 | 6" | 1 | 458 | 6,765.00 |
| | 2000SS-DOSY-GxF | 0690783 | 8" | 1 | 720 | 13,040.00 |
| | 2000SS-DOSY-GxF | 0690786 | 10" | 1 | 1080 | 18,303.00 |

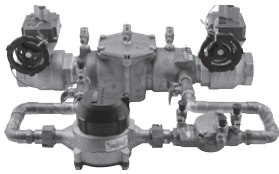
With OSY resilient seated shutoff valves - Flange Inlet x Groove Outlet

| LEAD FREE* | MODEL | ORDERING CODE | SIZE | QTY. PER CARTON | WEIGHT PER CARTON (LBS.) | LIST PRICE (EACH) |
|------------|-----------------|---------------|--------|-----------------|--------------------------|-------------------|
| | 2000SS-DOSY-FxG | 0690772 | 2 1/2" | 1 | 198 | 3,471.00 |
| | 2000SS-DOSY-FxG | 0690775 | 3" | 1 | 235 | 3,621.00 |
| | 2000SS-DOSY-FxG | 0690778 | 4" | 1 | 301 | 4,303.00 |
| | 2000SS-DOSY-FxG | 0690781 | 6" | 1 | 458 | 6,765.00 |
| | 2000SS-DOSY-FxG | 0690784 | 8" | 1 | 720 | 13,040.00 |
| | 2000SS-DOSY-FxG | 0690787 | 10" | 1 | 1080 | 18,303.00 |

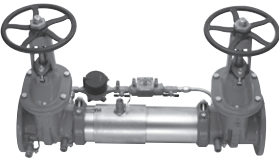


*The wetted surface of this product contacted by consumable water contains less than 0.25% of lead by weight.

Double Check Valve Assemblies



3000BM1-FP



C-300-OSY



C-300N-OSY

| MODEL | ORDERING CODE | SIZE | QTY. PER CARTON | WEIGHT PER CARTON (LBS.) | LIST PRICE (EACH) |
|-------|---------------|------|-----------------|--------------------------|-------------------|
|-------|---------------|------|-----------------|--------------------------|-------------------|

Double Check Detector Assemblies - Bronze Body

| | | | | | | |
|--|----------|----------|----|---|-----|-------------|
| 3000BM1-OSY-CFM/GPM | 0696040 | 0696041 | 2" | 1 | 155 | \$ 5,859.00 |
| Less meter | | | | | | |
| 3000BM1-OSY-LM | 0696042 | - | 2" | 1 | 153 | 5,766.00 |
| With Inlet/Outlet Gear Operated Slow Close Isolation Valves | | | | | | |
| 3000BM1-FP-CFM Thd/Grv | 88007308 | 88005599 | 2 | 1 | 96 | 3,837.00 |
| 3000BM1-FP-CFM Thd/Grv | 88007309 | 88005601 | 2 | 1 | 96 | 3,837.00 |
| 3000BM1-FP-LM Thd/Grv | 88007310 | 88005600 | 2 | 1 | 96 | 3,678.00 |

Double Check Detector Assemblies - Stainless Steel Body

With NRS resilient seated shutoff valves

| | | | | | | |
|-------------------|---------|---------|--------|---|-----|-----------|
| C-300-NRS-CFM/GPM | 0191435 | 0191440 | 2 1/2" | 1 | 129 | 3,876.00 |
| C-300-NRS-CFM/GPM | 0191436 | 0191441 | 3" | 1 | 145 | 4,267.00 |
| C-300-NRS-CFM/GPM | 0191437 | 0191442 | 4" | 1 | 175 | 4,959.00 |
| C-300-NRS-CFM/GPM | 0191438 | 0191443 | 6" | 1 | 287 | 6,360.00 |
| C-300-NRS-CFM/GPM | 0191439 | 0191444 | 8" | 1 | 452 | 11,541.00 |

With OSY resilient seated shutoff valves

| | | | | | | |
|--------------------|---------|---------|--------|---|-----|-----------|
| C-300-OSY-CFM/GPM | 0191230 | 0191236 | 2 1/2" | 1 | 139 | 4,096.00 |
| C-300-OSY-CFM/GPM | 0191231 | 0191237 | 3" | 1 | 159 | 4,519.00 |
| C-300-OSY-CFM/GPM | 0191232 | 0191238 | 4" | 1 | 175 | 5,235.00 |
| C-300-OSY-CFM/GPM | 0191233 | 0191239 | 6" | 1 | 309 | 6,633.00 |
| C-300-OSY-CFM/GPM | 0191234 | 0191240 | 8" | 1 | 494 | 11,412.00 |
| C-300-OSY-CFM/GPM | 0191235 | 0191241 | 10" | 1 | 795 | 16,769.00 |
| LFC300-OSY-CFM/GPM | 0124557 | 0124563 | 2 1/2" | 1 | 139 | 4,407.00 |
| LFC300-OSY-CFM/GPM | 0124558 | 0124564 | 3" | 1 | 159 | 4,861.00 |
| LFC300-OSY-CFM/GPM | 0124559 | 0124565 | 4" | 1 | 175 | 5,625.00 |
| LFC300-OSY-CFM/GPM | 0124560 | 0124566 | 6" | 1 | 309 | 7,131.00 |
| LFC300-OSY-CFM/GPM | 0124561 | 0124567 | 8" | 1 | 494 | 12,272.00 |
| LFC300-OSY-CFM/GPM | 0124562 | 0124568 | 10" | 1 | 795 | 18,026.00 |

LEAD FREE*

N-Pattern with OSY resilient seated shutoff valves

| | | | | | | |
|---------------------|---------|---------|--------|---|-----|-----------|
| C-300N-OSY-CFM/GPM | 0191242 | 0191248 | 2 1/2" | 1 | 147 | 4,382.00 |
| C-300N-OSY-CFM/GPM | 0191243 | 0191249 | 3" | 1 | 172 | 4,834.00 |
| C-300N-OSY-CFM/GPM | 0191244 | 0191250 | 4" | 1 | 198 | 5,645.00 |
| C-300N-OSY-CFM/GPM | 0191245 | 0191251 | 6" | 1 | 350 | 7,306.00 |
| C-300N-OSY-CFM/GPM | 0191246 | 0191252 | 8" | 1 | 569 | 12,617.00 |
| C-300N-OSY-CFM/GPM | 0191247 | 0191253 | 10" | 1 | 965 | 19,719.00 |
| LFC300N-OSY-CFM/GPM | 0124569 | 0124574 | 2 1/2" | 1 | 147 | 4,713.00 |
| LFC300N-OSY-CFM/GPM | 0425156 | 0124575 | 3" | 1 | 172 | 5,875.00 |
| LFC300N-OSY-CFM/GPM | 0124570 | 0124576 | 4" | 1 | 198 | 6,066.00 |
| LFC300N-OSY-CFM/GPM | 0124571 | 0124577 | 6" | 1 | 350 | 7,855.00 |
| LFC300N-OSY-CFM/GPM | 0124572 | 0124578 | 8" | 1 | 569 | 13,564.00 |
| LFC300N-OSY-CFM/GPM | 0124573 | 0425166 | 10" | 1 | 965 | 21,198.00 |

LEAD FREE*

With gear operated, UL/FM Butterfly valves

| | | | | | | |
|--------------------|---------|---------|--------|---|-----|-----------|
| C-300-BFG-CFM/GPM | 0191254 | 0191258 | 2 1/2" | 1 | 70 | 4,419.00 |
| C-300-BFG-CFM/GPM | 0191255 | 0191259 | 3" | 1 | 68 | 4,841.00 |
| C-300-BFG-CFM/GPM | 0191256 | 0191260 | 4" | 1 | 75 | 5,554.00 |
| C-300-BFG-CFM/GPM | 0191257 | 0191261 | 6" | 1 | 175 | 6,960.00 |
| C-300-BFG-CFM/GPM | 0191421 | 0191422 | 8" | 1 | 275 | 11,742.00 |
| LFC300-BFG-CFM/GPM | 0124579 | 0124583 | 2 1/2" | 1 | 70 | 4,750.00 |
| LFC300-BFG-CFM/GPM | 0124580 | 0124584 | 3" | 1 | 68 | 5,203.00 |
| LFC300-BFG-CFM/GPM | 0124581 | 0124585 | 4" | 1 | 75 | 5,970.00 |
| LFC300-BFG-CFM/GPM | 0124582 | 0124586 | 6" | 1 | 175 | 7,482.00 |
| LFC300-BFG-CFM/GPM | 0124595 | 0124596 | 8" | 1 | 275 | 12,622.00 |

LEAD FREE*

(LM) = Less Meter
(CFM) = Cubic Feet Meter
(GPM) = Gallons Per Minute Meter



*The wetted surface of this product contacted by consumable water contains less than 0.25% of lead by weight.

Double Check Detector Assemblies



| MODEL | ORDERING CODE | SIZE | QTY. PER CARTON | WEIGHT PER CARTON (LBS.) | LIST PRICE (EACH) |
|-------|---------------|------|-----------------|--------------------------|-------------------|
|-------|---------------|------|-----------------|--------------------------|-------------------|

Double Check Detector assemblies - Stainless Steel Body (cont.)

N-Pattern with gear operated, UL/FM Butterfly valves

| | | | | | | |
|---------------------|---------|---------|--------|---|-----|-------------|
| C-300N-BFG-CFM/GPM | 0191262 | 0191266 | 2 1/2" | 1 | 78 | \$ 4,722.00 |
| C-300N-BFG-CFM/GPM | 0191263 | 0191267 | 3" | 1 | 81 | 5,172.00 |
| C-300N-BFG-CFM/GPM | 0191264 | 0191268 | 4" | 1 | 98 | 5,979.00 |
| C-300N-BFG-CFM/GPM | 0191265 | 0191269 | 6" | 1 | 171 | 7,651.00 |
| C-300N-BFG-CFM/GPM | 0191423 | 0191424 | 8" | 1 | 351 | 12,963.00 |
| LFC300N-BFG-CFM/GPM | 0124587 | 0124591 | 2 1/2" | 1 | 78 | 5,077.00 |
| LFC300N-BFG-CFM/GPM | 0124588 | 0124592 | 3" | 1 | 81 | 5,560.00 |
| LFC300N-BFG-CFM/GPM | 0124589 | 0124593 | 4" | 1 | 98 | 6,430.00 |
| LFC300N-BFG-CFM/GPM | 0124590 | 0124594 | 6" | 1 | 171 | 8,227.00 |
| LFC300N-BFG-CFM/GPM | 0124597 | 0124598 | 8" | 1 | 351 | 13,935.00 |

With NRS resilient seated shutoff valves and less meter

| | | | | | | |
|--------------|---------|---|--------|---|-----|-----------|
| C-300-NRS-LM | 0206555 | - | 2 1/2" | 1 | 127 | 3,781.00 |
| C-300-NRS-LM | 0206556 | - | 3" | 1 | 143 | 4,171.00 |
| C-300-NRS-LM | 0206557 | - | 4" | 1 | 173 | 4,867.00 |
| C-300-NRS-LM | 0206558 | - | 6" | 1 | 285 | 6,263.00 |
| C-300-NRS-LM | 0206559 | - | 8" | 1 | 450 | 11,448.00 |

With OSY resilient seated shutoff valves and less meter

| | | | | | | |
|---------------|---------|---|--------|---|-----|-----------|
| C-300-OSY-LM | 0206560 | - | 2 1/2" | 1 | 137 | 4,002.00 |
| C-300-OSY-LM | 0206561 | - | 3" | 1 | 157 | 4,424.00 |
| C-300-OSY-LM | 0206562 | - | 4" | 1 | 173 | 5,137.00 |
| C-300-OSY-LM | 0206563 | - | 6" | 1 | 307 | 6,536.00 |
| C-300-OSY-LM | 0206564 | - | 8" | 1 | 492 | 11,318.00 |
| C-300-OSY-LM | 0206565 | - | 10" | 1 | 793 | 16,673.00 |
| LFC300-OSY-LM | 0124616 | - | 2 1/2" | 1 | 137 | 4,304.00 |
| LFC300-OSY-LM | 0425150 | - | 3" | 1 | 157 | 5,374.00 |
| LFC300-OSY-LM | 0124617 | - | 4" | 1 | 173 | 5,522.00 |
| LFC300-OSY-LM | 0124618 | - | 6" | 1 | 307 | 7,030.00 |
| LFC300-OSY-LM | 0124619 | - | 8" | 1 | 492 | 12,167.00 |
| LFC300-OSY-LM | 0124620 | - | 10" | 1 | 793 | 17,922.00 |

N-Pattern with OSY resilient seated shutoff valves and less meter

| | | | | | | |
|----------------|---------|---|--------|---|-----|-----------|
| C-300N-OSY-LM | 0206566 | - | 2 1/2" | 1 | 145 | 4,285.00 |
| C-300N-OSY-LM | 0206567 | - | 3" | 1 | 170 | 4,735.00 |
| C-300N-OSY-LM | 0206568 | - | 4" | 1 | 196 | 5,545.00 |
| C-300N-OSY-LM | 0206569 | - | 6" | 1 | 348 | 7,208.00 |
| C-300N-OSY-LM | 0206570 | - | 8" | 1 | 567 | 12,516.00 |
| C-300N-OSY-LM | 0206571 | - | 10" | 1 | 963 | 19,620.00 |
| LFC300N-OSY-LM | 0425167 | - | 2 1/2" | 1 | 145 | 5,203.00 |
| LFC300N-OSY-LM | 0425168 | - | 3" | 1 | 170 | 5,751.00 |
| LFC300N-OSY-LM | 0425169 | - | 4" | 1 | 196 | 6,732.00 |
| LFC300N-OSY-LM | 0425170 | - | 6" | 1 | 348 | 8,754.00 |
| LFC300N-OSY-LM | 0425171 | - | 8" | 1 | 567 | 13,454.00 |
| LFC300N-OSY-LM | 0425172 | - | 10" | 1 | 963 | 21,090.00 |

With gear operated, UL/FM Butterfly valves and less meter

| | | | | | | |
|---------------|---------|---|--------|---|-----|-----------|
| C-300-BFG-LM | 0206572 | - | 2 1/2" | 1 | 68 | 4,325.00 |
| C-300-BFG-LM | 0206573 | - | 3" | 1 | 66 | 4,744.00 |
| C-300-BFG-LM | 0206574 | - | 4" | 1 | 73 | 5,457.00 |
| C-300-BFG-LM | 0206575 | - | 6" | 1 | 129 | 6,866.00 |
| C-300-BFG-LM | 0206576 | - | 8" | 1 | 273 | 11,645.00 |
| LFC300-BFG-LM | 0124621 | - | 2 1/2" | 1 | 68 | 4,647.00 |
| LFC300-BFG-LM | 0124622 | - | 3" | 1 | 66 | 5,103.00 |
| LFC300-BFG-LM | 0124623 | - | 4" | 1 | 73 | 5,866.00 |
| LFC300-BFG-LM | 0124624 | - | 6" | 1 | 129 | 7,383.00 |
| LFC300-BFG-LM | 0124625 | - | 8" | 1 | 273 | 12,521.00 |

(LM) = Less Meter
(CFM) = Cubic Feet Meter
(GPM) = Gallons Per Minute Meter



*The wetted surface of this product contacted by consumable water contains less than 0.25% of lead by weight.

Double Check Detector Assemblies

| MODEL | ORDERING CODE | SIZE | QTY. PER CARTON | WEIGHT PER CARTON (LBS.) | LIST PRICE (EACH) |
|-------|---------------|------|-----------------|--------------------------|-------------------|
|-------|---------------|------|-----------------|--------------------------|-------------------|

N-Pattern with gear operated, UL/FM Butterfly valves and less meter

| | | | | | | |
|---------------|---------|---|--------|---|-----|-------------|
| C-300N-BFG-LM | 0206577 | - | 2 1/2" | 1 | 76 | \$ 4,620.00 |
| C-300N-BFG-LM | 0206578 | - | 3" | 1 | 79 | 5,072.00 |
| C-300N-BFG-LM | 0206579 | - | 4" | 1 | 96 | 5,880.00 |
| C-300N-BFG-LM | 0206580 | - | 6" | 1 | 169 | 7,552.00 |
| C-300N-BFG-LM | 0206581 | - | 8" | 1 | 349 | 12,860.00 |

Double Check Detector Assemblies - Stainless Steel Body

With OSY resilient seated shutoff valves

| | | | | | | |
|--------------------|---------|---------|--------|---|-----|-----------|
| M-300-OSY-CFM/GPM | 0191032 | 0191038 | 2 1/2" | 1 | 139 | 5,101.00 |
| M-300-OSY-CFM/GPM | 0191033 | 0191039 | 3" | 1 | 159 | 5,810.00 |
| M-300-OSY-CFM/GPM | 0191034 | 0191040 | 4" | 1 | 233 | 7,532.00 |
| M-300-OSY-CFM/GPM | 0191035 | 0191041 | 6" | 1 | 404 | 7,992.00 |
| M-300-OSY-CFM/GPM | 0191036 | 0191042 | 8" | 1 | 578 | 14,460.00 |
| M-300-OSY-CFM/GPM | 0191037 | 0191043 | 10" | 1 | 795 | 20,742.00 |
| LFM300-OSY-CFM/GPM | 0124338 | 0124344 | 2 1/2" | 1 | 139 | 5,406.00 |
| LFM300-OSY-CFM/GPM | 0124339 | 0124345 | 3" | 1 | 159 | 6,161.00 |
| LFM300-OSY-CFM/GPM | 0124340 | 0124346 | 4" | 1 | 233 | 7,984.00 |
| LFM300-OSY-CFM/GPM | 0124341 | 0124347 | 6" | 1 | 404 | 8,470.00 |
| LFM300-OSY-CFM/GPM | 0124342 | 0124348 | 8" | 1 | 578 | 15,329.00 |
| LFM300-OSY-CFM/GPM | 0124343 | 0124349 | 10" | 1 | 795 | 21,989.00 |

N-Pattern with OSY resilient seated shutoff valves

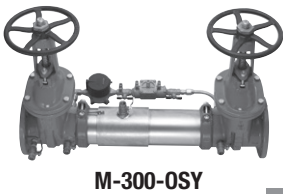
| | | | | | | |
|---------------------|---------|---------|--------|---|-----|-----------|
| M-300N-OSY-CFM/GPM | 0191044 | 0191050 | 2 1/2" | 1 | 147 | 5,415.00 |
| M-300N-OSY-CFM/GPM | 0191045 | 0191051 | 3" | 1 | 172 | 5,972.00 |
| M-300N-OSY-CFM/GPM | 0191046 | 0191052 | 4" | 1 | 256 | 6,972.00 |
| M-300N-OSY-CFM/GPM | 0191047 | 0191053 | 6" | 1 | 444 | 9,026.00 |
| M-300N-OSY-CFM/GPM | 0191048 | 0191054 | 8" | 1 | 654 | 15,587.00 |
| M-300N-OSY-CFM/GPM | 0191049 | 0191055 | 10" | 1 | 965 | 24,362.00 |
| LFM300N-OSY-CFM/GPM | 0124350 | 0124356 | 2 1/2" | 1 | 147 | 5,741.00 |
| LFM300N-OSY-CFM/GPM | 0124351 | 0124357 | 3" | 1 | 172 | 6,331.00 |
| LFM300N-OSY-CFM/GPM | 0124352 | 0124358 | 4" | 1 | 256 | 7,392.00 |
| LFM300N-OSY-CFM/GPM | 0124353 | 0124359 | 6" | 1 | 444 | 9,567.00 |
| LFM300N-OSY-CFM/GPM | 0124354 | 0124360 | 8" | 1 | 654 | 16,524.00 |
| LFM300N-OSY-CFM/GPM | 0124355 | 0124361 | 10" | 1 | 965 | 25,824.00 |

With gear operated, UL/FM Butterfly valves

| | | | | | | |
|--------------------|---------|---------|--------|---|-----|-----------|
| M-300-BFG-CFM/GPM | 0191056 | 0191060 | 2 1/2" | 1 | 71 | 5,479.00 |
| M-300-BFG-CFM/GPM | 0191057 | 0191061 | 3" | 1 | 68 | 6,188.00 |
| M-300-BFG-CFM/GPM | 0191058 | 0191062 | 4" | 1 | 133 | 7,909.00 |
| M-300-BFG-CFM/GPM | 0191059 | 0191063 | 6" | 1 | 225 | 8,377.00 |
| M-300-BFG-CFM/GPM | 0191427 | 0191428 | 8" | 1 | 211 | 14,848.00 |
| LFM300-BFG-CFM/GPM | 0124362 | 0124366 | 2 1/2" | 1 | 71 | 5,808.00 |
| LFM300-BFG-CFM/GPM | 0124363 | 0124367 | 3" | 1 | 68 | 6,561.00 |
| LFM300-BFG-CFM/GPM | 0124364 | 0124368 | 4" | 1 | 133 | 8,385.00 |
| LFM300-BFG-CFM/GPM | 0124365 | 0124369 | 6" | 1 | 225 | 8,879.00 |
| LFM300-BFG-CFM/GPM | 0124378 | 0124379 | 8" | 1 | 211 | 15,741.00 |

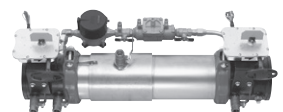
N-Pattern with gear operated, UL/FM Butterfly valves

| | | | | | | |
|---------------------|---------|---------|--------|---|-----|-----------|
| M-300N-BFG-CFM/GPM | 0191068 | 0191064 | 2 1/2" | 1 | 78 | 5,801.00 |
| M-300N-BFG-CFM/GPM | 0191069 | 0191065 | 3" | 1 | 81 | 6,360.00 |
| M-300N-BFG-CFM/GPM | 0191070 | 0191066 | 4" | 1 | 156 | 7,355.00 |
| M-300N-BFG-CFM/GPM | 0191071 | 0191067 | 6" | 1 | 265 | 9,422.00 |
| M-300N-BFG-CFM/GPM | 0191429 | 0191430 | 8" | 1 | 435 | 15,981.00 |
| LFM300N-BFG-CFM/GPM | 0124374 | 0124370 | 2 1/2" | 1 | 78 | 6,149.00 |
| LFM300N-BFG-CFM/GPM | 0124375 | 0124371 | 3" | 1 | 81 | 6,744.00 |
| LFM300N-BFG-CFM/GPM | 0124376 | 0124372 | 4" | 1 | 156 | 7,798.00 |
| LFM300N-BFG-CFM/GPM | 0124377 | 0124373 | 6" | 1 | 265 | 9,988.00 |
| LFM300N-BFG-CFM/GPM | 0124380 | 0124381 | 8" | 1 | 435 | 16,937.00 |



M-300-OSY

LEAD FREE



M-300-BFG

LEAD FREE

(LM) = Less Meter
(CFM) = Cubic Feet Meter
(GPM) = Gallons Per Minute Meter

LEAD FREE

Double Check Detector Assemblies

| MODEL | ORDERING CODE | SIZE | QTY. PER CARTON | WEIGHT PER CARTON (LBS.) | LIST PRICE (EACH) |
|-------|---------------|------|-----------------|--------------------------|-------------------|
|-------|---------------|------|-----------------|--------------------------|-------------------|

Double Check Detector Assemblies - Stainless Steel Body (cont.)

With OSY resilient seated shutoff valves and less meter

| | | | | | | |
|--------------|---------|---|--------|---|-----|-------------|
| M 300-OSY-LM | 0206598 | – | 2 1/2" | 1 | 137 | \$ 4,989.00 |
| M 300-OSY-LM | 0206599 | – | 3" | 1 | 157 | 5,700.00 |
| M 300-OSY-LM | 0206600 | – | 4" | 1 | 231 | 7,420.00 |
| M 300-OSY-LM | 0206601 | – | 6" | 1 | 402 | 7,876.00 |
| M 300-OSY-LM | 0206602 | – | 8" | 1 | 576 | 14,346.00 |
| M 300-OSY-LM | 0206603 | – | 10" | 1 | 793 | 20,632.00 |

LEAD FREE

| | | | | | | |
|---------------|---------|---|--------|---|-----|-----------|
| LFM300-OSY-LM | 0124404 | – | 2 1/2" | 1 | 137 | 5,287.00 |
| LFM300-OSY-LM | 0124405 | – | 3" | 1 | 157 | 6,041.00 |
| LFM300-OSY-LM | 0124406 | – | 4" | 1 | 231 | 7,867.00 |
| LFM300-OSY-LM | 0124407 | – | 6" | 1 | 402 | 8,350.00 |
| LFM300-OSY-LM | 0124408 | – | 8" | 1 | 576 | 15,206.00 |
| LFM300-OSY-LM | 0124409 | – | 10" | 1 | 793 | 21,872.00 |

N-Pattern with OSY resilient seated shutoff valves and less meter

| | | | | | | |
|---------------|---------|---|--------|---|-----|-----------|
| M 300N-OSY-LM | 0206604 | – | 2 1/2" | 1 | 145 | 5,302.00 |
| M 300N-OSY-LM | 0206605 | – | 3" | 1 | 170 | 5,857.00 |
| M 300N-OSY-LM | 0206606 | – | 4" | 1 | 254 | 6,856.00 |
| M 300N-OSY-LM | 0206607 | – | 6" | 1 | 442 | 8,913.00 |
| M 300N-OSY-LM | 0206608 | – | 8" | 1 | 652 | 15,472.00 |
| M 300N-OSY-LM | 0206609 | – | 10" | 1 | 963 | 24,249.00 |

LEAD FREE

| | | | | | | |
|----------------|---------|---|--------|---|-----|-----------|
| LFM300N-OSY-LM | 0124410 | – | 2 1/2" | 1 | 145 | 5,620.00 |
| LFM300N-OSY-LM | 0124411 | – | 3" | 1 | 170 | 6,211.00 |
| LFM300N-OSY-LM | 0124412 | – | 4" | 1 | 254 | 7,270.00 |
| LFM300N-OSY-LM | 0124413 | – | 6" | 1 | 442 | 9,448.00 |
| LFM300N-OSY-LM | 0124414 | – | 8" | 1 | 652 | 16,398.00 |
| LFM300N-OSY-LM | 0124415 | – | 10" | 1 | 963 | 25,706.00 |

With gear operated, UL/FM Butterfly valves and less meter

| | | | | | | |
|--------------|---------|---|--------|---|-----|-----------|
| M 300-BFG-LM | 0206610 | – | 2 1/2" | 1 | 69 | 5,366.00 |
| M 300-BFG-LM | 0206611 | – | 3" | 1 | 66 | 6,074.00 |
| M 300-BFG-LM | 0206612 | – | 4" | 1 | 131 | 7,797.00 |
| M 300-BFG-LM | 0206613 | – | 6" | 1 | 223 | 8,265.00 |
| M 300-BFG-LM | 0206614 | – | 8" | 1 | 209 | 14,734.00 |

LEAD FREE

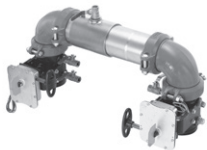
| | | | | | | |
|---------------|---------|---|--------|---|-----|-----------|
| LFM300-BFG-LM | 0124416 | – | 2 1/2" | 1 | 69 | 5,690.00 |
| LFM300-BFG-LM | 0124417 | – | 3" | 1 | 66 | 6,440.00 |
| LFM300-BFG-LM | 0124418 | – | 4" | 1 | 131 | 8,265.00 |
| LFM300-BFG-LM | 0124419 | – | 6" | 1 | 223 | 8,761.00 |
| LFM300-BFG-LM | 0124420 | – | 8" | 1 | 209 | 15,618.00 |

N-Pattern with gear operated, UL/FM Butterfly valves and less meter

| | | | | | | |
|---------------|---------|---|--------|---|-----|-----------|
| M 300N-BFG-LM | 0206615 | – | 2 1/2" | 1 | 76 | 5,688.00 |
| M 300N-BFG-LM | 0206616 | – | 3" | 1 | 79 | 6,246.00 |
| M 300N-BFG-LM | 0206617 | – | 4" | 1 | 154 | 7,244.00 |
| M 300N-BFG-LM | 0206618 | – | 6" | 1 | 263 | 9,307.00 |
| M 300N-BFG-LM | 0206619 | – | 8" | 1 | 433 | 15,868.00 |

LEAD FREE

| | | | | | | |
|----------------|---------|---|--------|---|-----|-----------|
| LFM300N-BFG-LM | 0124421 | – | 2 1/2" | 1 | 76 | 6,028.00 |
| LFM300N-BFG-LM | 0124422 | – | 3" | 1 | 79 | 6,619.00 |
| LFM300N-BFG-LM | 0124423 | – | 4" | 1 | 154 | 7,680.00 |
| LFM300N-BFG-LM | 0124424 | – | 6" | 1 | 263 | 9,865.00 |
| LFM300N-BFG-LM | 0124425 | – | 8" | 1 | 433 | 16,819.00 |



M-300N-BFG

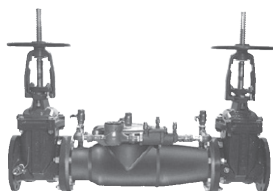
(LM) = Less Meter
(CFM) = Cubic Feet Meter
(GPM) = Gallons Per Minute Meter



*The wetted surface of this product contacted by consumable water contains less than 0.25% of lead by weight.

Double Check Detector Assemblies

| MODEL | ORDERING CODE | SIZE | QTY. PER CARTON | WEIGHT PER CARTON (LBS.) | LIST PRICE (EACH) | |
|--|---------------|---------|-----------------|--------------------------|-------------------|-------------|
| Double Check Detector Assemblies - Stainless Steel Body (cont.) | | | | | | |
| Less shutoff valves | | | | | | |
| 3000SS-LG-CFM/GPM | 0691052 | 0690474 | 2 1/2" | 1 | 50 | \$ 3,860.00 |
| 3000SS-LG-CFM/GPM | 0691053 | 0690483 | 3" | 1 | 55 | 3,909.00 |
| 3000SS-LG-CFM/GPM | 0691680 | 0690492 | 4" | 1 | 85 | 4,610.00 |
| 3000SS-LG-CFM/GPM | 0690927 | 0690502 | 6" | 1 | 124 | 5,805.00 |
| 3000SS-LG-CFM/GPM | 0690897 | 0690457 | 8" | 1 | 215 | 10,802.00 |
| 3000SS-LG-CFM/GPM | 0690934 | 0690532 | 10" | 1 | 225 | 13,899.00 |
| 3000SS-LG-CFM/GPM | 0690948 | 0690565 | 12" | 1 | 248 | 18,255.00 |
| Less shutoff valves, less meter | | | | | | |
| 3000SS-LG-LM | 0691577 | - | 2 1/2" | 1 | 48 | 3,772.00 |
| 3000SS-LG-LM | 0691580 | - | 3" | 1 | 53 | 3,824.00 |
| 3000SS-LG-LM | 0691583 | - | 4" | 1 | 83 | 4,521.00 |
| 3000SS-LG-LM | 0691544 | - | 6" | 1 | 121 | 5,720.00 |
| 3000SS-LG-LM | 0691541 | - | 8" | 1 | 213 | 10,715.00 |
| 3000SS-LG-LM | 0691550 | - | 10" | 1 | 223 | 13,811.00 |
| 3000SS-LG-LM | 0691554 | - | 12" | 1 | 246 | 18,168.00 |
| With OSY resilient seated shutoff valves | | | | | | |
| 3000SS-OSY-CFM/GPM | 0690980 | 0690475 | 2 1/2" | 1 | 212 | 5,014.00 |
| 3000SS-OSY-CFM/GPM | 0690984 | 0690484 | 3" | 1 | 248 | 5,235.00 |
| 3000SS-OSY-CFM/GPM | 0690988 | 0690493 | 4" | 1 | 308 | 6,061.00 |
| 3000SS-OSY-CFM/GPM | 0690928 | 0690503 | 6" | 1 | 468 | 7,855.00 |
| 3000SS-OSY-CFM/GPM | 0690898 | 0690458 | 8" | 1 | 732 | 14,216.00 |
| 3000SS-OSY-CFM/GPM | 0690935 | 0690533 | 10" | 1 | 1090 | 19,427.00 |
| 3000SS-DOSY-CFM/GPM | 0690949 | 0690566 | 12" | 1 | 1450 | 25,064.00 |
| With OSY resilient seated shutoff valves - Groove Inlet x Groove Outlet | | | | | | |
| 3000SS-DOSY GxG CFM/GPM | 0696000 | 0696001 | 2 1/2" | 1 | 212 | 5,014.00 |
| 3000SS-DOSY GxG CFM/GPM | 0696006 | 0696007 | 3" | 1 | 248 | 5,235.00 |
| 3000SS-DOSY GxG CFM/GPM | 0696012 | 0696013 | 4" | 1 | 308 | 6,061.00 |
| 3000SS-DOSY GxG CFM/GPM | 0696018 | 0696019 | 6" | 1 | 468 | 7,855.00 |
| 3000SS-DOSY GxG CFM/GPM | 0696024 | 0696025 | 8" | 1 | 732 | 14,216.00 |
| 3000SS-DOSY GxG CFM/GPM | 0696030 | 0696031 | 10" | 1 | 1090 | 19,427.00 |
| With OSY resilient seated shutoff valves - Groove Inlet x Flange Outlet | | | | | | |
| 3000SS DOSY GxF CFM/GPM | 0696002 | 0696003 | 2 1/2" | 1 | 212 | 5,014.00 |
| 3000SS DOSY GxF CFM/GPM | 0696008 | 0696009 | 3" | 1 | 248 | 5,235.00 |
| 3000SS DOSY GxF CFM/GPM | 0696014 | 0696015 | 4" | 1 | 308 | 6,061.00 |
| 3000SS DOSY GxF CFM/GPM | 0696020 | 0696021 | 6" | 1 | 468 | 7,855.00 |
| 3000SS DOSY GxF CFM/GPM | 0696026 | 0696027 | 8" | 1 | 732 | 14,216.00 |
| 3000SS DOSY GxF CFM/GPM | 0696032 | 0696033 | 10" | 1 | 1090 | 19,427.00 |
| With OSY resilient seated shutoff valves - Flange Inlet x Groove Outlet | | | | | | |
| 3000SS DOSY FxG CFM/GPM | 0696004 | 0696005 | 2 1/2" | 1 | 212 | 5,014.00 |
| 3000SS DOSY FxG CFM/GPM | 0696010 | 0696011 | 3" | 1 | 248 | 5,235.00 |
| 3000SS DOSY FxG CFM/GPM | 0696016 | 0696017 | 4" | 1 | 308 | 6,061.00 |
| 3000SS DOSY FxG CFM/GPM | 0696022 | 0696023 | 6" | 1 | 468 | 7,855.00 |
| 3000SS DOSY FxG CFM/GPM | 0696028 | 0696029 | 8" | 1 | 732 | 14,216.00 |
| 3000SS DOSY FxG CFM/GPM | 0696034 | 0696035 | 10" | 1 | 1090 | 19,427.00 |
| With OSY resilient seated shutoff valves and less Meter | | | | | | |
| 3000SS-OSY-LM | 0691561 | - | 2 1/2" | 1 | 210 | 4,927.00 |
| 3000SS-OSY-LM | 0691563 | - | 3" | 1 | 245 | 5,144.00 |
| 3000SS-OSY-LM | 0691565 | - | 4" | 1 | 305 | 5,972.00 |
| 3000SS-OSY-LM | 0691545 | - | 6" | 1 | 465 | 7,768.00 |
| 3000SS-OSY-LM | 0691542 | - | 8" | 1 | 717 | 14,129.00 |
| 3000SS-OSY-LM | 0691551 | - | 10" | 1 | 1087 | 19,336.00 |
| 3000SS-DOSY-LM | 0691555 | - | 12" | 1 | 1448 | 24,978.00 |



3000SS-OSY

(LM) = Less Meter
 (CFM) = Cubic Feet Meter
 (GPM) = Gallons Per Minute Meter



*The wetted surface of this product contacted by consumable water contains less than 0.25% of lead by weight.

Double Check Detector Assemblies

| MODEL | ORDERING CODE | SIZE | QTY. PER CARTON | WEIGHT PER CARTON (LBS.) | LIST PRICE (EACH) |
|--|---------------|---------|-----------------|--------------------------|-------------------|
| Double Check Detector Assemblies - Stainless Steel Body (cont.) | | | | | |
| With NRS resilient seated shutoff valves | | | | | |
| 3000SS-NRS-CFM/GPM | 0690981 | 0690476 | 2 1/2" | 1 | 212 \$ 4,899.00 |
| 3000SS-NRS-CFM/GPM | 0690985 | 0690485 | 3" | 1 | 248 5,113.00 |
| 3000SS-NRS-CFM/GPM | 0690989 | 0690494 | 4" | 1 | 308 6,235.00 |
| 3000SS-NRS-CFM/GPM | 0690929 | 0690504 | 6" | 1 | 468 7,994.00 |
| 3000SS-NRS-CFM/GPM | 0690899 | 0690459 | 8" | 1 | 732 14,517.00 |
| 3000SS-NRS-CFM/GPM | 0690936 | 0690534 | 10" | 1 | 1090 19,459.00 |
| With NRS resilient seated shutoff valves less meter | | | | | |
| 3000SS-NRS-LM | 0691562 | - | 2 1/2" | 1 | 139 5,157.00 |
| 3000SS-NRS-LM | 0691564 | - | 3" | 1 | 206 5,269.00 |
| 3000SS-NRS-LM | 0691566 | - | 4" | 1 | 242 6,143.00 |
| 3000SS-NRS-LM | 0691546 | - | 6" | 1 | 462 7,903.00 |
| 3000SS-NRS-LM | 0691543 | - | 8" | 1 | 726 14,423.00 |
| 3000SS-NRS-LM | 0691552 | - | 10" | 1 | 1084 19,367.00 |



*The wetted surface of this product contacted by consumable water contains less than 0.25% of lead by weight.

Reduced Pressure Zone Assemblies

| MODEL | ORDERING CODE | SIZE | QTY. PER CARTON | WEIGHT PER CARTON (LBS.) | LIST PRICE (EACH) |
|-------|---------------|------|-----------------|--------------------------|-------------------|
|-------|---------------|------|-----------------|--------------------------|-------------------|

Reduced Pressure Zone Assemblies - Bronze body

With Ball Valves



4000B/LF4000B

| | | | | | | |
|-----------|---------|---|--------|---|------|-----------|
| 4000B | 0436090 | - | 1/2" | 1 | 5 | \$ 444.00 |
| 4000B-M3 | 0436097 | - | 3/4" | 1 | 11 | 590.00 |
| 4000B-M2 | 0436096 | - | 1" | 1 | 12 | 696.50 |
| 4000B | 0436093 | - | 1 1/4" | 1 | 28 | 1,091.00 |
| 4000B | 0436094 | - | 1 1/2" | 1 | 29 | 1,178.00 |
| 4000B | 0436095 | - | 2" | 1 | 29.5 | 1,355.00 |
| LF4000B | 0425014 | - | 1/2" | 1 | 5 | 554.50 |
| LF4000BM3 | 0425015 | - | 3/4" | 1 | 11 | 738.50 |
| LF4000BM2 | 0425016 | - | 1" | 1 | 12 | 870.00 |
| LF4000B | 0425017 | - | 1 1/4" | 1 | 28 | 1,365.00 |
| LF4000B | 0425018 | - | 1 1/2" | 1 | 29 | 1,474.00 |
| LF4000B | 0425019 | - | 2" | 1 | 29.5 | 1,697.00 |

LEAD FREE*

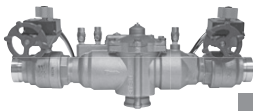


4000B-HC

With Inlet/Outlet fire hydrant fittings (2 1/2" inlet female hose thread swivel x 2 1/2" outlet male NST)

| | | | | | | |
|----------|---------|---|----|---|----|----------|
| 4000B-HC | 0691938 | - | 2" | 1 | 37 | 3,886.00 |
|----------|---------|---|----|---|----|----------|

With Inlet/Outlet Gear Operated Slow Close Isolation Valves

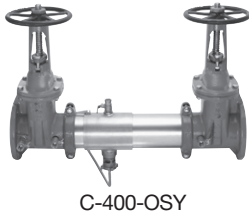


4000BM2-FP-GV

| | Threaded | Grooved | | | | |
|--------------|----------|----------|--------|---|----|----------|
| 4000BM2-FP | 88007311 | 88005691 | 1 | 1 | 15 | 1,740.00 |
| 4000BM2-FP | 88007312 | 88005692 | 1 1/4" | 1 | 21 | 2,349.00 |
| 4000BM2-FP | 88007313 | 88005690 | 1 1/2" | 1 | 23 | 2,695.00 |
| 4000BM2-FP | 88007314 | 88005693 | 2" | 1 | 33 | 3,036.00 |
| LF4000BM2-FP | 88007300 | 88007296 | 1 | 1 | 15 | 2,105.00 |
| LF4000BM2-FP | 88007301 | 88007297 | 1 1/4" | 1 | 19 | 2,842.00 |
| LF4000BM2-FP | 88007302 | 88007298 | 1 1/2" | 1 | 20 | 3,261.00 |
| LF4000BM2-FP | 88007303 | 88007299 | 2" | 1 | 30 | 3,674.00 |

LEAD FREE*

Reduced Pressure Zone Assemblies



| MODEL | ORDERING CODE | SIZE | QTY. PER CARTON | WEIGHT PER CARTON (LBS.) | LIST PRICE (EACH) |
|-------|---------------|------|-----------------|--------------------------|-------------------|
|-------|---------------|------|-----------------|--------------------------|-------------------|

Reduced Pressure Zone Assemblies - Stainless Steel Body

With OSY resilient seated shutoff valves

| LEAD FREE* | MODEL | ORDERING CODE | SIZE | QTY. PER CARTON | WEIGHT PER CARTON (LBS.) | LIST PRICE (EACH) |
|------------|-----------|---------------|--------|-----------------|--------------------------|-------------------|
| | C-400-OSY | 0191270 | 2 1/2" | 1 | 128 | \$ 3,328.00 |
| | C-400-OSY | 0191271 | 3" | 1 | 148 | 3,742.00 |
| | C-400-OSY | 0191272 | 4" | 1 | 164 | 4,977.00 |
| | C-400-OSY | 0191273 | 6" | 1 | 298 | 7,886.00 |
| | C-400-OSY | 0191274 | 8" | 1 | 483 | 13,385.00 |
| | C-400-OSY | 0191275 | 10" | 1 | 783 | 19,838.00 |

N-Pattern with OSY resilient seated shutoff valves

| LEAD FREE* | MODEL | ORDERING CODE | SIZE | QTY. PER CARTON | WEIGHT PER CARTON (LBS.) | LIST PRICE (EACH) |
|------------|------------|---------------|--------|-----------------|--------------------------|-------------------|
| | C-400N-OSY | 0191276 | 2 1/2" | 1 | 136 | 3,733.00 |
| | C-400N-OSY | 0191277 | 3" | 1 | 161 | 4,287.00 |
| | C-400N-OSY | 0191278 | 4" | 1 | 187 | 5,552.00 |
| | C-400N-OSY | 0191279 | 6" | 1 | 339 | 8,488.00 |
| | C-400N-OSY | 0191280 | 8" | 1 | 558 | 14,675.00 |
| | C-400N-OSY | 0191281 | 10" | 1 | 950 | 22,889.00 |

Z-Pattern with OSY resilient seated shutoff valves

| LEAD FREE* | MODEL | ORDERING CODE | SIZE | QTY. PER CARTON | WEIGHT PER CARTON (LBS.) | LIST PRICE (EACH) |
|------------|------------|---------------|--------|-----------------|--------------------------|-------------------|
| | C-400Z-OSY | 0191282 | 2 1/2" | 1 | 136 | 3,733.00 |
| | C-400Z-OSY | 0191283 | 3" | 1 | 161 | 4,287.00 |
| | C-400Z-OSY | 0191284 | 4" | 1 | 187 | 5,552.00 |
| | C-400Z-OSY | 0191285 | 6" | 1 | 339 | 8,488.00 |
| | C-400Z-OSY | 0191286 | 8" | 1 | 558 | 14,675.00 |
| | C-400Z-OSY | 0191287 | 10" | 1 | 950 | 22,889.00 |

With NRS resilient seated shutoff valves

| LEAD FREE* | MODEL | ORDERING CODE | SIZE | QTY. PER CARTON | WEIGHT PER CARTON (LBS.) | LIST PRICE (EACH) |
|------------|-----------|---------------|--------|-----------------|--------------------------|-------------------|
| | C-400-NRS | 0191288 | 2 1/2" | 1 | 118 | 3,296.00 |
| | C-400-NRS | 0191289 | 3" | 1 | 134 | 3,725.00 |
| | C-400-NRS | 0191290 | 4" | 1 | 164 | 4,949.00 |
| | C-400-NRS | 0191291 | 6" | 1 | 276 | 7,535.00 |
| | C-400-NRS | 0191292 | 8" | 1 | 441 | 13,055.00 |
| | C-400-NRS | 0191293 | 10" | 1 | 723 | 19,623.00 |

N-Pattern with NRS resilient seated shutoff valves

| LEAD FREE* | MODEL | ORDERING CODE | SIZE | QTY. PER CARTON | WEIGHT PER CARTON (LBS.) | LIST PRICE (EACH) |
|------------|------------|---------------|--------|-----------------|--------------------------|-------------------|
| | C-400N-NRS | 0191294 | 2 1/2" | 1 | 126 | 3,697.00 |
| | C-400N-NRS | 0191295 | 3" | 1 | 147 | 4,209.00 |
| | C-400N-NRS | 0191296 | 4" | 1 | 187 | 5,520.00 |
| | C-400N-NRS | 0191297 | 6" | 1 | 317 | 8,235.00 |
| | C-400N-NRS | 0191298 | 8" | 1 | 516 | 14,325.00 |
| | C-400N-NRS | 0191299 | 10" | 1 | 893 | 22,663.00 |

Z-Pattern with NRS resilient seated shutoff valves

| LEAD FREE* | MODEL | ORDERING CODE | SIZE | QTY. PER CARTON | WEIGHT PER CARTON (LBS.) | LIST PRICE (EACH) |
|------------|------------|---------------|--------|-----------------|--------------------------|-------------------|
| | C-400Z-NRS | 0191300 | 2 1/2" | 1 | 126 | 3,697.00 |
| | C-400Z-NRS | 0191301 | 3" | 1 | 147 | 4,209.00 |
| | C-400Z-NRS | 0191302 | 4" | 1 | 187 | 5,520.00 |
| | C-400Z-NRS | 0191303 | 6" | 1 | 317 | 8,235.00 |
| | C-400Z-NRS | 0191304 | 8" | 1 | 516 | 14,325.00 |
| | C-400Z-NRS | 0191305 | 10" | 1 | 893 | 22,663.00 |

With gear operated, UL/FM Butterfly valves

| LEAD FREE* | MODEL | ORDERING CODE | SIZE | QTY. PER CARTON | WEIGHT PER CARTON (LBS.) | LIST PRICE (EACH) |
|------------|-----------|---------------|------|-----------------|--------------------------|-------------------|
| | C-400-BFG | 0692865 | 4" | 1 | 75 | 5,531.00 |
| | C-400-BFG | 0692866 | 6" | 1 | 140 | 8,761.00 |

N-Pattern with gear operated, UL/FM Butterfly valves

| LEAD FREE* | MODEL | ORDERING CODE | SIZE | QTY. PER CARTON | WEIGHT PER CARTON (LBS.) | LIST PRICE (EACH) |
|------------|------------|---------------|--------|-----------------|--------------------------|-------------------|
| | C-400N-BFG | 0191416 | 2 1/2" | 1 | 85 | 4,061.00 |
| | C-400N-BFG | 0191417 | 3" | 1 | 90 | 4,557.00 |
| | C-400N-BFG | 0191415 | 4" | 1 | 200 | 5,879.00 |
| | C-400N-BFG | 0191418 | 6" | 1 | 300 | 8,826.00 |

Z-Pattern with gear operated, UL/FM Butterfly valves

| LEAD FREE* | MODEL | ORDERING CODE | SIZE | QTY. PER CARTON | WEIGHT PER CARTON (LBS.) | LIST PRICE (EACH) |
|------------|------------|---------------|--------|-----------------|--------------------------|-------------------|
| | C-400Z-BFG | 0191480 | 2 1/2" | 1 | 90 | 4,360.00 |
| | C-400Z-BFG | 0191481 | 3" | 1 | 93 | 4,898.00 |
| | C-400Z-BFG | 0191482 | 4" | 1 | 205 | 6,323.00 |
| | C-400Z-BFG | 0191483 | 6" | 1 | 305 | 9,505.00 |



*The wetted surface of this product contacted by consumable water contains less than 0.25% of lead by weight.

Reduced Pressure Zone Assemblies

| MODEL | ORDERING CODE | SIZE | QTY. PER CARTON | WEIGHT PER CARTON (LBS.) | LIST PRICE (EACH) |
|-------|---------------|------|-----------------|--------------------------|-------------------|
|-------|---------------|------|-----------------|--------------------------|-------------------|

Reduced Pressure Zone Assemblies - Stainless Steel Body (cont.)

With OSY resilient seated shutoff valves

| | | | | | | | |
|------------|-----------|---------|---|--------|---|-----|-------------|
| LEAD FREE* | M-400-OSY | 0191072 | - | 2 1/2" | 1 | 128 | \$ 4,332.00 |
| | M-400-OSY | 0191073 | - | 3" | 1 | 148 | 4,873.00 |
| | M-400-OSY | 0191074 | - | 4" | 1 | 222 | 6,482.00 |
| | M-400-OSY | 0191075 | - | 6" | 1 | 393 | 10,122.00 |
| | M-400-OSY | 0191076 | - | 8" | 1 | 567 | 17,428.00 |
| | M-400-OSY | 0191077 | - | 10" | 1 | 784 | 25,833.00 |

N-Pattern with OSY resilient seated shutoff valves

| | | | | | | | |
|------------|------------|---------|---|--------|---|-----|-----------|
| LEAD FREE* | M-400N-OSY | 0191078 | - | 2 1/2" | 1 | 136 | 4,946.00 |
| | M-400N-OSY | 0191079 | - | 3" | 1 | 161 | 5,604.00 |
| | M-400N-OSY | 0191080 | - | 4" | 1 | 245 | 7,355.00 |
| | M-400N-OSY | 0191081 | - | 6" | 1 | 433 | 11,250.00 |
| | M-400N-OSY | 0191082 | - | 8" | 1 | 643 | 18,529.00 |
| | M-400N-OSY | 0191083 | - | 10" | 1 | 954 | 28,858.00 |

Z-Pattern with OSY resilient seated shutoff valves

| | | | | | | | |
|------------|------------|---------|---|--------|---|-----|-----------|
| LEAD FREE* | M-400Z-OSY | 0191084 | - | 2 1/2" | 1 | 136 | 4,946.00 |
| | M-400Z-OSY | 0191085 | - | 3" | 1 | 161 | 5,604.00 |
| | M-400Z-OSY | 0191086 | - | 4" | 1 | 245 | 7,355.00 |
| | M-400Z-OSY | 0191087 | - | 6" | 1 | 433 | 11,250.00 |
| | M-400Z-OSY | 0191088 | - | 8" | 1 | 643 | 18,529.00 |
| | M-400Z-OSY | 0191089 | - | 10" | 1 | 954 | 28,858.00 |

With NRS resilient seated shutoff valves

| | | | | | | | |
|------------|-----------|---------|---|--------|---|-----|-----------|
| LEAD FREE* | M-400-NRS | 0191090 | - | 2 1/2" | 1 | 118 | 4,288.00 |
| | M-400-NRS | 0191091 | - | 3" | 1 | 134 | 4,851.00 |
| | M-400-NRS | 0191092 | - | 4" | 1 | 222 | 6,442.00 |
| | M-400-NRS | 0191093 | - | 6" | 1 | 371 | 9,810.00 |
| | M-400-NRS | 0191094 | - | 8" | 1 | 525 | 16,998.00 |
| | M-400-NRS | 0191095 | - | 10" | 1 | 724 | 25,552.00 |

N-Pattern with NRS resilient seated shutoff valves

| | | | | | | | |
|------------|------------|---------|---|--------|---|-----|-----------|
| LEAD FREE* | M-400N-NRS | 0191096 | - | 2 1/2" | 1 | 126 | 4,900.00 |
| | M-400N-NRS | 0191097 | - | 3" | 1 | 147 | 5,577.00 |
| | M-400N-NRS | 0191098 | - | 4" | 1 | 245 | 7,316.00 |
| | M-400N-NRS | 0191099 | - | 6" | 1 | 411 | 10,916.00 |
| | M-400N-NRS | 0191100 | - | 8" | 1 | 601 | 18,088.00 |
| | M-400N-NRS | 0191101 | - | 10" | 1 | 894 | 28,573.00 |

Z-Pattern with NRS resilient seated shutoff valves

| | | | | | | | |
|------------|------------|---------|---|--------|---|-----|-----------|
| LEAD FREE* | M-400Z-NRS | 0191484 | - | 2 1/2" | 1 | 126 | 4,900.00 |
| | M-400Z-NRS | 0191485 | - | 3" | 1 | 147 | 5,577.00 |
| | M-400Z-NRS | 0191486 | - | 4" | 1 | 187 | 7,316.00 |
| | M-400Z-NRS | 0191487 | - | 6" | 1 | 317 | 10,916.00 |
| | M-400Z-NRS | 0191488 | - | 8" | 1 | 516 | 18,088.00 |
| | M-400Z-NRS | 0191489 | - | 10" | 1 | 893 | 28,573.00 |

N-Pattern with gear operated, UL/FM Butterfly valves

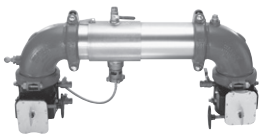
| | | | | | | | |
|------------|------------|---------|---|--------|---|-----|-----------|
| LEAD FREE* | M-400N-BFG | 0191102 | - | 2 1/2" | 1 | 67 | 5,348.00 |
| | M-400N-BFG | 0191103 | - | 3" | 1 | 70 | 6,005.00 |
| | M-400N-BFG | 0191104 | - | 4" | 1 | 145 | 7,760.00 |
| | M-400N-BFG | 0191105 | - | 6" | 1 | 254 | 11,664.00 |

Z-Pattern with gear operated, UL/FM Butterfly valves

| | | | | | | | |
|------------|------------|---------|---|--------|---|-----|-----------|
| LEAD FREE* | M-400Z-BFG | 0191106 | - | 2 1/2" | 1 | 67 | 5,348.00 |
| | M-400Z-BFG | 0191107 | - | 3" | 1 | 70 | 6,005.00 |
| | M-400Z-BFG | 0191108 | - | 4" | 1 | 145 | 7,760.00 |
| | M-400Z-BFG | 0191109 | - | 6" | 1 | 254 | 11,664.00 |



M-400N-OSY



M-400N-BFG

Reduced Pressure Zone Assemblies

| MODEL | ORDERING CODE | SIZE | QTY. PER CARTON | WEIGHT PER CARTON (LBS.) | LIST PRICE (EACH) |
|-------|---------------|------|-----------------|--------------------------|-------------------|
|-------|---------------|------|-----------------|--------------------------|-------------------|

Reduced Pressure Zone Assemblies - Stainless Steel Body (cont.)

Less shutoff valves

| | | | | | | | |
|------------|-----------|---------|---|--------|---|-----|-------------|
| LEAD FREE* | 4000SS-LG | 0690477 | - | 2 1/2" | 1 | 48 | \$ 2,957.00 |
| | 4000SS-LG | 0690486 | - | 3" | 1 | 58 | 3,341.00 |
| | 4000SS-LG | 0690495 | - | 4" | 1 | 79 | 4,764.00 |
| | 4000SS-LG | 0690505 | - | 6" | 1 | 140 | 7,443.00 |
| | 4000SS-LG | 0690467 | - | 8" | 1 | 225 | 12,586.00 |
| | 4000SS-LG | 0690535 | - | 10" | 1 | 232 | 17,989.00 |

With OSY resilient seated shutoff valves

| | | | | | | | |
|------------|------------|---------|---|--------|---|------|-----------|
| LEAD FREE* | 4000SS-OSY | 0690478 | - | 2 1/2" | 1 | 215 | 4,123.00 |
| | 4000SS-OSY | 0690487 | - | 3" | 1 | 260 | 4,639.00 |
| | 4000SS-OSY | 0690496 | - | 4" | 1 | 410 | 6,170.00 |
| | 4000SS-OSY | 0690506 | - | 6" | 1 | 470 | 9,633.00 |
| | 4000SS-OSY | 0690468 | - | 8" | 1 | 732 | 16,586.00 |
| | 4000SS-OSY | 0690536 | - | 10" | 1 | 1120 | 24,584.00 |

With NRS resilient seated shutoff valves

| | | | | | | | |
|------------|------------|---------|---|--------|---|------|-----------|
| LEAD FREE* | 4000SS-NRS | 0690479 | - | 2 1/2" | 1 | 210 | 4,084.00 |
| | 4000SS-NRS | 0690488 | - | 3" | 1 | 255 | 4,613.00 |
| | 4000SS-NRS | 0690497 | - | 4" | 1 | 337 | 6,131.00 |
| | 4000SS-NRS | 0690507 | - | 6" | 1 | 470 | 9,336.00 |
| | 4000SS-NRS | 0690469 | - | 8" | 1 | 732 | 16,175.00 |
| | 4000SS-NRS | 0690537 | - | 10" | 1 | 1020 | 24,319.00 |

With OSY resilient seated shutoff valves - Groove Inlet x Groove Outlet

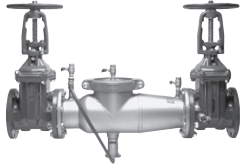
| | | | | | | | |
|------------|-----------------|---------|---|--------|---|------|-----------|
| LEAD FREE* | 4000SS DOSY GxG | 0694000 | - | 2 1/2" | 1 | 215 | 4,123.00 |
| | 4000SS DOSY GxG | 0694003 | - | 3" | 1 | 260 | 4,639.00 |
| | 4000SS DOSY GxG | 0694006 | - | 4" | 1 | 410 | 6,170.00 |
| | 4000SS DOSY GxG | 0694009 | - | 6" | 1 | 470 | 9,633.00 |
| | 4000SS DOSY GxG | 0694012 | - | 8" | 1 | 732 | 16,586.00 |
| | 4000SS DOSY GxG | 0694015 | - | 10" | 1 | 1120 | 24,584.00 |

With OSY resilient seated shutoff valves - Groove Inlet x Flange Outlet

| | | | | | | | |
|------------|-----------------|---------|---|--------|---|------|-----------|
| LEAD FREE* | 4000SS DOSY GxF | 0694001 | - | 2 1/2" | 1 | 215 | 4,123.00 |
| | 4000SS DOSY GxF | 0694004 | - | 3" | 1 | 260 | 4,639.00 |
| | 4000SS DOSY GxF | 0694007 | - | 4" | 1 | 410 | 6,170.00 |
| | 4000SS DOSY GxF | 0694010 | - | 6" | 1 | 470 | 9,633.00 |
| | 4000SS DOSY GxF | 0694013 | - | 8" | 1 | 732 | 16,586.00 |
| | 4000SS DOSY GxF | 0694016 | - | 10" | 1 | 1120 | 24,584.00 |

With OSY resilient seated shutoff valves - Flange Inlet x Groove Outlet

| | | | | | | | |
|------------|-----------------|---------|---|--------|---|------|-----------|
| LEAD FREE* | 4000SS DOSY FxG | 0694002 | - | 2 1/2" | 1 | 215 | 4,123.00 |
| | 4000SS DOSY FxG | 0694005 | - | 3" | 1 | 260 | 4,639.00 |
| | 4000SS DOSY FxG | 0694008 | - | 4" | 1 | 410 | 6,170.00 |
| | 4000SS DOSY FxG | 0694011 | - | 6" | 1 | 470 | 9,633.00 |
| | 4000SS DOSY FxG | 0694014 | - | 8" | 1 | 732 | 16,586.00 |
| | 4000SS DOSY FxG | 0694017 | - | 10" | 1 | 1120 | 24,584.00 |



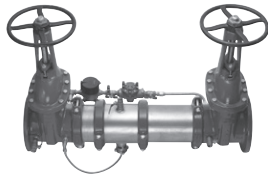
4000SS-OSY

Reduced Pressure Detector Assemblies

| MODEL | ORDERING CODE | SIZE | QTY. PER CARTON | WEIGHT PER CARTON (LBS.) | LIST PRICE (EACH) |
|-------|---------------|------|-----------------|--------------------------|-------------------|
|-------|---------------|------|-----------------|--------------------------|-------------------|

Reduced Pressure Detector Assemblies - Stainless Steel Body

With OSY resilient seated shutoff valves

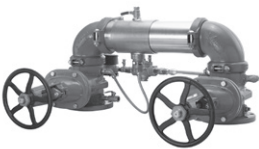


C-500-OSY

| | | | | | | |
|---------------------|---------|---------|--------|---|-----|-------------|
| C-500-OSY-CFM/GPM | 0191306 | 0191312 | 2 1/2" | 1 | 142 | \$ 4,491.00 |
| C-500-OSY-CFM/GPM | 0191307 | 0191313 | 3" | 1 | 162 | 4,963.00 |
| C-500-OSY-CFM/GPM | 0191308 | 0191314 | 4" | 1 | 178 | 5,853.00 |
| C-500-OSY-CFM/GPM | 0191309 | 0191315 | 6" | 1 | 312 | 8,593.00 |
| C-500-OSY-CFM/GPM | 0191310 | 0191316 | 8" | 1 | 497 | 15,281.00 |
| C-500-OSY-CFM/GPM | 0191311 | 0191317 | 10" | 1 | 797 | 21,799.00 |
| LFC-500-OSY-CFM/GPM | 0124633 | 0124639 | 2 1/2" | 1 | 142 | 4,764.00 |
| LFC-500-OSY-CFM/GPM | 0124634 | 0124640 | 3" | 1 | 162 | 5,264.00 |
| LFC-500-OSY-CFM/GPM | 0124635 | 0124641 | 4" | 1 | 178 | 6,206.00 |
| LFC-500-OSY-CFM/GPM | 0124636 | 0124642 | 6" | 1 | 312 | 9,110.00 |
| LFC-500-OSY-CFM/GPM | 0124637 | 0124643 | 8" | 1 | 797 | 16,197.00 |
| LFC-500-OSY-CFM/GPM | 0124638 | 0124644 | 10" | 1 | 797 | 23,106.00 |

LEAD FREE

N-Pattern with OSY resilient seated shutoff valves



C-500N-OSY

| | | | | | | |
|----------------------|---------|---------|--------|---|-----|-----------|
| C-500N-OSY-CFM/GPM | 0191318 | 0191324 | 2 1/2" | 1 | 150 | 4,947.00 |
| C-500N-OSY-CFM/GPM | 0191319 | 0191325 | 3" | 1 | 175 | 5,503.00 |
| C-500N-OSY-CFM/GPM | 0191320 | 0191326 | 4" | 1 | 201 | 6,463.00 |
| C-500N-OSY-CFM/GPM | 0191321 | 0191327 | 6" | 1 | 353 | 9,578.00 |
| C-500N-OSY-CFM/GPM | 0191322 | 0191328 | 8" | 1 | 572 | 16,650.00 |
| C-500N-OSY-CFM/GPM | 0191323 | 0191329 | 10" | 1 | 964 | 24,891.00 |
| LFC-500N-OSY-CFM/GPM | 0124645 | 0425283 | 2 1/2" | 1 | 150 | 5,245.00 |
| LFC-500N-OSY-CFM/GPM | 0425278 | 0425284 | 3" | 1 | 175 | 6,590.00 |
| LFC-500N-OSY-CFM/GPM | 0124646 | 0124649 | 4" | 1 | 201 | 6,850.00 |

LEAD FREE

Z-Pattern with OSY resilient seated shutoff valves

| | | | | | | |
|----------------------|---------|---------|--------|---|-----|-----------|
| C-500Z-OSY-CFM/GPM | 0191330 | 0191336 | 2 1/2" | 1 | 150 | 4,947.00 |
| C-500Z-OSY-CFM/GPM | 0191331 | 0191337 | 3" | 1 | 175 | 5,503.00 |
| C-500Z-OSY-CFM/GPM | 0191332 | 0191338 | 4" | 1 | 201 | 6,463.00 |
| C-500Z-OSY-CFM/GPM | 0191333 | 0191339 | 6" | 1 | 353 | 9,578.00 |
| C-500Z-OSY-CFM/GPM | 0191334 | 0191340 | 8" | 1 | 572 | 16,650.00 |
| C-500Z-OSY-CFM/GPM | 0191335 | 0191341 | 10" | 1 | 964 | 24,891.00 |
| LFC-500Z-OSY-CFM/GPM | 0124653 | 0124658 | 2 1/2" | 1 | 150 | 5,245.00 |
| LFC-500Z-OSY-CFM/GPM | 0124654 | 0124659 | 3" | 1 | 175 | 5,836.00 |
| LFC-500Z-OSY-CFM/GPM | 0124655 | 0124660 | 4" | 1 | 201 | 6,850.00 |

LEAD FREE

N-Pattern with gear operated, UL/FM Butterfly valves

| | | | | | | |
|----------------------|---------|---------|--------|---|-----|-----------|
| C-500N-BFG-CFM/GPM | 0191460 | 0191464 | 2 1/2" | 1 | 132 | 5,690.00 |
| C-500N-BFG-CFM/GPM | 0191461 | 0191465 | 3" | 1 | 134 | 6,287.00 |
| C-500N-BFG-CFM/GPM | 0191462 | 0191466 | 4" | 1 | 166 | 7,324.00 |
| C-500N-BFG-CFM/GPM | 0191463 | 0191467 | 6" | 1 | 285 | 10,697.00 |
| LFC-500N-BFG-CFM/GPM | 0124664 | 0124668 | 2 1/2" | 1 | 132 | 6,028.00 |
| LFC-500N-BFG-CFM/GPM | 0124665 | 0124669 | 3" | 1 | 134 | 6,664.00 |
| LFC-500N-BFG-CFM/GPM | 0124666 | 0124670 | 4" | 1 | 166 | 7,763.00 |

LEAD FREE

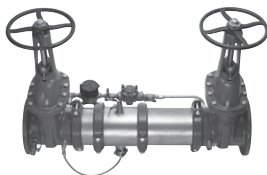
Z-Pattern with gear operated, UL/FM Butterfly valves

| | | | | | | |
|----------------------|---------|---------|--------|---|-----|-----------|
| C-500Z-BFG-CFM/GPM | 0191468 | 0191472 | 2 1/2" | 1 | 132 | 5,690.00 |
| C-500Z-BFG-CFM/GPM | 0191469 | 0191473 | 3" | 1 | 134 | 6,287.00 |
| C-500Z-BFG-CFM/GPM | 0191470 | 0191474 | 4" | 1 | 166 | 7,324.00 |
| C-500Z-BFG-CFM/GPM | 0191471 | 0191475 | 6" | 1 | 285 | 10,697.00 |
| LFC-500Z-BFG-CFM/GPM | 0124672 | 0124676 | 2 1/2" | 1 | 132 | 6,028.00 |
| LFC-500Z-BFG-CFM/GPM | 0124673 | 0124677 | 3" | 1 | 134 | 6,664.00 |
| LFC-500Z-BFG-CFM/GPM | 0124674 | 0124678 | 4" | 1 | 166 | 7,763.00 |

LEAD FREE

Reduced Pressure Detector Assemblies

| MODEL | ORDERING CODE | SIZE | QTY. PER CARTON | WEIGHT PER CARTON (LBS.) | LIST PRICE (EACH) | |
|--|---------------|---------|-----------------|--------------------------|-------------------|-----------|
| Reduced Pressure Detector Assemblies - Stainless Steel Body (cont.) | | | | | | |
| With OSY resilient seated shutoff valves and less meter | | | | | | |
| C-500-OSY-LM | 0206632 | 2 1/2" | 1 | 140 | \$ 4,404.00 | |
| C-500-OSY-LM | 0206633 | 3" | 1 | 160 | 4,875.00 | |
| C-500-OSY-LM | 0206634 | 4" | 1 | 176 | 5,764.00 | |
| C-500-OSY-LM | 0206635 | 6" | 1 | 310 | 8,506.00 | |
| C-500-OSY-LM | 0206636 | 8" | 1 | 495 | 15,193.00 | |
| C-500-OSY-LM | 0206637 | 10" | 1 | 795 | 21,707.00 | |
| N-Pattern with OSY resilient seated shutoff valves and less meter | | | | | | |
| C-500N-OSY-LM | 0206638 | 2 1/2" | 1 | 148 | 4,853.00 | |
| C-500N-OSY-LM | 0206639 | 3" | 1 | 173 | 5,408.00 | |
| C-500N-OSY-LM | 0206640 | 4" | 1 | 199 | 6,367.00 | |
| C-500N-OSY-LM | 0206641 | 6" | 1 | 351 | 9,485.00 | |
| C-500N-OSY-LM | 0206642 | 8" | 1 | 570 | 16,555.00 | |
| CC-500N-OSY-LM | 0206643 | 10" | 1 | 962 | 24,797.00 | |
| Z-Pattern with OSY resilient seated shutoff valves and less meter | | | | | | |
| C-500Z-OSY-LM | 0206644 | 2 1/2" | 1 | 148 | 4,853.00 | |
| C-500Z-OSY-LM | 0206645 | 3" | 1 | 173 | 5,408.00 | |
| C-500Z-OSY-LM | 0206646 | 4" | 1 | 199 | 6,367.00 | |
| C-500Z-OSY-LM | 0206647 | 6" | 1 | 351 | 9,485.00 | |
| C-500Z-OSY-LM | 0206648 | 8" | 1 | 570 | 16,555.00 | |
| C-500Z-OSY-LM | 0206649 | 10" | 1 | 962 | 24,797.00 | |
| N-Pattern with gear operated, UL/FM Butterfly valves and less meter | | | | | | |
| C-500N-BFG-LM | 0206676 | 2 1/2" | 1 | 130 | 5,594.00 | |
| C-500N-BFG-LM | 0206677 | 3" | 1 | 132 | 6,195.00 | |
| C-500N-BFG-LM | 0206678 | 4" | 1 | 164 | 7,227.00 | |
| C-500N-BFG-LM | 0206679 | 6" | 1 | 283 | 10,603.00 | |
| Z-Pattern with gear operated, UL/FM Butterfly valves and less meter | | | | | | |
| C-500Z-BFG-LM | 0206680 | 2 1/2" | 1 | 130 | 5,594.00 | |
| C-500Z-BFG-LM | 0206681 | 3" | 1 | 132 | 6,195.00 | |
| C-500Z-BFG-LM | 0206682 | 4" | 1 | 164 | 7,227.00 | |
| C-500Z-BFG-LM | 0206683 | 6" | 1 | 283 | 10,603.00 | |
| With OSY resilient seated shutoff valves | | | | | | |
| M-500-OSY-CFM/GPM | 0191110 | 0191116 | 2 1/2" | 1 | 142 | 6,259.00 |
| M-500-OSY-CFM/GPM | 0191111 | 0191117 | 3" | 1 | 162 | 6,920.00 |
| M-500-OSY-CFM/GPM | 0191112 | 0191118 | 4" | 1 | 236 | 8,159.00 |
| M-500-OSY-CFM/GPM | 0191113 | 0191119 | 6" | 1 | 407 | 11,977.00 |
| M-500-OSY-CFM/GPM | 0191114 | 0191120 | 8" | 1 | 581 | 20,684.00 |
| M-500-OSY-CFM/GPM | 0191115 | 0191121 | 10" | 1 | 798 | 29,504.00 |
| LFM-500-OSY-CFM/GPM | 0124777 | 0124783 | 2 1/2" | 1 | 142 | 6,502.00 |
| LFM-500-OSY-CFM/GPM | 0124778 | 0124784 | 3" | 1 | 162 | 7,185.00 |
| LFM-500-OSY-CFM/GPM | 0124779 | 0124785 | 4" | 1 | 236 | 8,472.00 |
| LFM-500-OSY-CFM/GPM | 0124780 | 0124786 | 6" | 1 | 407 | 12,438.00 |
| LFM-500-OSY-CFM/GPM | 0124781 | 0124787 | 8" | 1 | 581 | 21,479.00 |
| LFM-500-OSY-CFM/GPM | 0124782 | 0124788 | 10" | 1 | 798 | 30,640.00 |



M-500-OSY

LEAD FREE

(LM) = Less Meter
(CFM) = Cubic Feet Meter
(GPM) = Gallons Per Minute Meter



*The wetted surface of this product contacted by consumable water contains less than 0.25% of lead by weight.

Reduced Pressure Detector Assemblies



M-500N-OSY

| MODEL | ORDERING CODE | SIZE | QTY. PER CARTON | WEIGHT PER CARTON (LBS.) | LIST PRICE (EACH) |
|-------|---------------|------|-----------------|--------------------------|-------------------|
|-------|---------------|------|-----------------|--------------------------|-------------------|

Reduced Pressure Detector Assemblies - Stainless Steel Body

N-Pattern with OSY resilient seated shutoff valves

| | | | | | | |
|--------------------|---------|---------|--------|---|-----|-------------|
| M-500N-OSY-CFM/GPM | 0191122 | 0191128 | 2 1/2" | 1 | 150 | \$ 6,814.00 |
| M-500N-OSY-CFM/GPM | 0191123 | 0191129 | 3" | 1 | 175 | 7,580.00 |
| M-500N-OSY-CFM/GPM | 0191124 | 0191130 | 4" | 1 | 259 | 8,905.00 |
| M-500N-OSY-CFM/GPM | 0191125 | 0191131 | 6" | 1 | 447 | 13,196.00 |
| M-500N-OSY-CFM/GPM | 0191126 | 0191132 | 8" | 1 | 657 | 21,854.00 |
| M-500N-OSY-CFM/GPM | 0191127 | 0191133 | 10" | 1 | 968 | 32,634.00 |

Z-Pattern with OSY resilient seated shutoff valves

| | | | | | | |
|--------------------|---------|---------|--------|---|-----|-----------|
| M-500Z-OSY-CFM/GPM | 0191134 | 0191140 | 2 1/2" | 1 | 150 | 6,814.00 |
| M-500Z-OSY-CFM/GPM | 0191135 | 0191141 | 3" | 1 | 175 | 7,580.00 |
| M-500Z-OSY-CFM/GPM | 0191136 | 0191142 | 4" | 1 | 259 | 8,905.00 |
| M-500Z-OSY-CFM/GPM | 0191137 | 0191143 | 6" | 1 | 447 | 13,196.00 |
| M-500Z-OSY-CFM/GPM | 0191138 | 0191144 | 8" | 1 | 657 | 21,854.00 |
| M-500Z-OSY-CFM/GPM | 0191139 | 0191145 | 10" | 1 | 968 | 32,634.00 |

N-Pattern with gear operated, UL/FM Butterfly valves

| | | | | | | |
|----------------------|---------|---------|--------|---|-----|-----------|
| M-500N-BFG-CFM/GPM | 0191146 | 0191150 | 2 1/2" | 1 | 81 | 7,256.00 |
| M-500N-BFG-CFM/GPM | 0191147 | 0191151 | 3" | 1 | 84 | 8,021.00 |
| M-500N-BFG-CFM/GPM | 0191148 | 0191152 | 4" | 1 | 159 | 9,344.00 |
| M-500N-BFG-CFM/GPM | 0191149 | 0191153 | 6" | 1 | 268 | 13,646.00 |
| LFM-500N-BFG-CFM/GPM | 0124801 | 0124804 | 2 1/2" | 1 | 81 | 7,534.00 |
| LFM-500N-BFG-CFM/GPM | 0124802 | 0124805 | 3" | 1 | 84 | 8,328.00 |

LEAD FREE

Z-Pattern with gear operated, UL/FM Butterfly valves

| | | | | | | |
|----------------------|---------|---------|--------|---|-----|-----------|
| M-500Z-BFG-CFM/GPM | 0191154 | 0191158 | 2 1/2" | 1 | 81 | 7,256.00 |
| M-500Z-BFG-CFM/GPM | 0191155 | 0191159 | 3" | 1 | 84 | 8,021.00 |
| M-500Z-BFG-CFM/GPM | 0191156 | 0191160 | 4" | 1 | 159 | 9,344.00 |
| M-500Z-BFG-CFM/GPM | 0191157 | 0191161 | 6" | 1 | 268 | 13,646.00 |
| LFM-500Z-BFG-CFM/GPM | 0124808 | 0124812 | 2 1/2" | 1 | 81 | 7,534.00 |
| LFM-500Z-BFG-CFM/GPM | 0124809 | 0124813 | 3" | 1 | 84 | 8,328.00 |

LEAD FREE

With OSY resilient seated shutoff valves and less meter

| | | | | | | |
|--------------|---------|---|--------|---|-----|-----------|
| M-500-OSY-LM | 0206650 | - | 2 1/2" | 1 | 140 | 6,142.00 |
| M-500-OSY-LM | 0206651 | - | 3" | 1 | 160 | 6,800.00 |
| M-500-OSY-LM | 0206652 | - | 4" | 1 | 234 | 8,042.00 |
| M-500-OSY-LM | 0206653 | - | 6" | 1 | 405 | 11,861.00 |
| M-500-OSY-LM | 0206654 | - | 8" | 1 | 579 | 20,564.00 |
| M-500-OSY-LM | 0206655 | - | 10" | 1 | 796 | 29,383.00 |

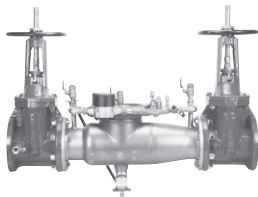
(LM) = Less Meter
(CFM) = Cubic Feet Meter
(GPM) = Gallons Per Minute Meter



*The wetted surface of this product contacted by consumable water contains less than 0.25% of lead by weight.

Reduced Pressure Detector Assemblies

| MODEL | ORDERING CODE | SIZE | QTY. PER CARTON | WEIGHT PER CARTON (LBS.) | LIST PRICE (EACH) | |
|--|---------------|---------|-----------------|--------------------------|-------------------|-----------|
| Reduced Pressure Detector Assemblies - Stainless Steel Body (cont.) | | | | | | |
| N-Pattern with OSY resilient seated shutoff valves and less meter | | | | | | |
| M-500N-OSY-LM | 0206656 | 2 1/2" | 1 | 148 | \$ 6,694.00 | |
| M-500N-OSY-LM | 0206657 | 3" | 1 | 173 | 7,460.00 | |
| M-500N-OSY-LM | 0206658 | 4" | 1 | 257 | 8,782.00 | |
| M-500N-OSY-LM | 0206659 | 6" | 1 | 445 | 13,075.00 | |
| M-500N-OSY-LM | 0206660 | 8" | 1 | 655 | 21,736.00 | |
| M-500N-OSY-LM | 0206661 | 10" | 1 | 966 | 32,512.00 | |
| Z-Pattern with OSY resilient seated shutoff valves and less meter | | | | | | |
| M-500Z-OSY-LM | 0206662 | 2 1/2" | 1 | 148 | 6,694.00 | |
| M-500Z-OSY-LM | 0206663 | 3" | 1 | 173 | 7,460.00 | |
| M-500Z-OSY-LM | 0206664 | 4" | 1 | 257 | 8,782.00 | |
| M-500Z-OSY-LM | 0206665 | 6" | 1 | 445 | 13,075.00 | |
| M-500Z-OSY-LM | 0206666 | 8" | 1 | 655 | 21,736.00 | |
| M-500Z-OSY-LM | 0206667 | 10" | 1 | 966 | 32,512.00 | |
| N-Pattern with gear operated, UL/FM Butterfly valves and less meter | | | | | | |
| M-500N-BFG-LM | 0206668 | 2 1/2" | 1 | 79 | 7,135.00 | |
| M-500N-BFG-LM | 0206669 | 3" | 1 | 83 | 7,899.00 | |
| M-500N-BFG-LM | 0206670 | 4" | 1 | 157 | 9,221.00 | |
| M-500N-BFG-LM | 0206671 | 6" | 1 | 266 | 13,525.00 | |
| Z-Pattern with gear operated, UL/FM Butterfly valves and less meter | | | | | | |
| M-500Z-BFG-LM | 0206672 | 2 1/2" | 1 | 79 | 7,135.00 | |
| M-500Z-BFG-LM | 0206673 | 3" | 1 | 82 | 7,899.00 | |
| M-500Z-BFG-LM | 0206674 | 4" | 1 | 157 | 9,221.00 | |
| M-500Z-BFG-LM | 0206675 | 6" | 1 | 266 | 13,525.00 | |
| Less shutoff valves | | | | | | |
| 5000SS-LG-CFM/GPM | 0690990 | 0690538 | 2 1/2" | 1 | 76 | 4,431.00 |
| 5000SS-LG-CFM/GPM | 0690992 | 0690541 | 3" | 1 | 80 | 4,852.00 |
| 5000SS-LG-CFM/GPM | 0690994 | 0690544 | 4" | 1 | 82 | 5,788.00 |
| 5000SS-LG-CFM/GPM | 0690946 | 0690547 | 6" | 1 | 120 | 8,385.00 |
| Less meter | | | | | | |
| 5000SS-LG-LM | 0691567 | - | 2 1/2" | 1 | 74 | 4,344.00 |
| 5000SS-LG-LM | 0691569 | - | 3" | 1 | 78 | 4,765.00 |
| 5000SS-LG-LM | 0691571 | - | 4" | 1 | 80 | 5,702.00 |
| 5000SS-LG-LM | 0691553 | - | 6" | 1 | 118 | 8,300.00 |
| With OSY resilient seated shutoff valves | | | | | | |
| 5000SS-OSY-CFM/GPM | 0690991 | 0690539 | 2 1/2" | 1 | 185 | 5,455.00 |
| 5000SS-OSY-CFM/GPM | 0690993 | 0690542 | 3" | 1 | 220 | 6,031.00 |
| 5000SS-OSY-CFM/GPM | 0690995 | 0690545 | 4" | 1 | 325 | 7,110.00 |
| 5000SS-OSY-CFM/GPM | 0690996 | 0690548 | 6" | 1 | 480 | 10,438.00 |
| Less meter | | | | | | |
| 5000SS-OSY-LM | 0691568 | - | 2 1/2" | 1 | 183 | 5,367.00 |
| 5000SS-OSY-LM | 0691570 | - | 3" | 1 | 218 | 5,944.00 |
| 5000SS-OSY-LM | 0691572 | - | 4" | 1 | 323 | 7,023.00 |
| 5000SS-OSY-LM | 0691560 | - | 6" | 1 | 478 | 10,353.00 |



5000SS-OSY

(LM) = Less Meter
 (CFM) = Cubic Feet Meter
 (GPM) = Gallons Per Minute Meter



*The wetted surface of this product contacted by consumable water contains less than 0.25% of lead by weight.

Reduced Pressure Detector Assemblies

| MODEL | ORDERING CODE | SIZE | QTY. PER CARTON | WEIGHT PER CARTON (LBS.) | LIST PRICE (EACH) |
|-------|---------------|------|-----------------|--------------------------|-------------------|
|-------|---------------|------|-----------------|--------------------------|-------------------|

Reduced Pressure Detector Assemblies - Stainless Steel Body (cont.)

With OSY resilient seated shutoff valves - Groove Inlet x Flange Outlet

| | | | | | | |
|-------------------------|---------|---------|--------|---|-----|-------------|
| 5000SS DOSY GxG CFM/GPM | 0694019 | 0694022 | 2 1/2" | 1 | 185 | \$ 5,455.00 |
| 5000SS DOSY GxG CFM/GPM | 0694025 | 0694028 | 3" | 1 | 220 | 6,031.00 |
| 5000SS DOSY GxG CFM/GPM | 0694031 | 0694034 | 4" | 1 | 325 | 7,110.00 |
| 5000SS DOSY GxG CFM/GPM | 0694037 | 0694040 | 6" | 1 | 480 | 10,438.00 |

With OSY resilient seated shutoff valves - Flange Inlet x Groove Outlet

| | | | | | | |
|-------------------------|---------|---------|--------|---|-----|-----------|
| 5000SS DOSY FxG CFM/GPM | 0694020 | 0694023 | 2 1/2" | 1 | 185 | 5,455.00 |
| 5000SS DOSY FxG CFM/GPM | 0694026 | 0694029 | 3" | 1 | 220 | 6,031.00 |
| 5000SS DOSY FxG CFM/GPM | 0694032 | 0694035 | 4" | 1 | 325 | 7,110.00 |
| 5000SS DOSY FxG CFM/GPM | 0694038 | 0694041 | 6" | 1 | 480 | 10,438.00 |

(LM) = Less Meter
 (CFM) = Cubic Feet Meter
 (GPM) = Gallons Per Minute Meter



*The wetted surface of this product contacted by consumable water contains less than 0.25% of lead by weight.

Miscellaneous Backflow Products

| MODEL | ORDERING CODE | SIZE | QTY. PER CARTON | WEIGHT PER CARTON (LBS.) | LIST PRICE (EACH) |
|-------|---------------|------|-----------------|--------------------------|-------------------|
|-------|---------------|------|-----------------|--------------------------|-------------------|

Irrigation Galvanized Swing Spring Check Valve

Flanged end connections

| MODEL | ORDERING CODE | SIZE | QTY. PER CARTON | WEIGHT PER CARTON (LBS.) | LIST PRICE (EACH) |
|-------|---------------|------|-----------------|--------------------------|-------------------|
| FFF | 0690233 | 3" | 1 | 15.5 | \$ 440.00 |
| FFF | 0690234 | 4" | 1 | 23 | 474.00 |
| FFF | 0690235 | 5" | 1 | 27.5 | 585.00 |
| FFF | 0690236 | 6" | 1 | 33 | 559.00 |
| FFF | 0690237 | 8" | 1 | 50.5 | 761.50 |
| FFF | 0690238 | 10" | 1 | 70.5 | 1,151.00 |
| FFF | 0690239 | 12" | 1 | 99 | 1,415.00 |

Plain end connections

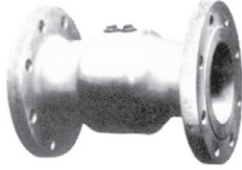
| MODEL | ORDERING CODE | SIZE | QTY. PER CARTON | WEIGHT PER CARTON (LBS.) | LIST PRICE (EACH) |
|-------|---------------|------|-----------------|--------------------------|-------------------|
| FPP | 0690220 | 3" | 1 | 6.5 | 289.00 |
| FPP | 0690221 | 4" | 1 | 9 | 300.50 |
| FPP | 0690222 | 5" | 1 | 14 | 383.50 |
| FPP | 0690223 | 6" | 1 | 17.5 | 370.00 |
| FPP | 0690224 | 8" | 1 | 26 | 482.50 |
| FPP | 0690225 | 10" | 1 | 42 | 773.00 |

Anti-Siphon Check Valves

| MODEL | ORDERING CODE | SIZE | QTY. PER CARTON | WEIGHT PER CARTON (LBS.) | LIST PRICE (EACH) |
|-------|---------------|------|-----------------|--------------------------|-------------------|
| ASCV | 0690287 | 3" | 1 | 20 | 823.00 |
| ASCV | 0690288 | 4" | 1 | 27 | 958.50 |
| ASCV | 0690284 | 6" | 1 | 40 | 1,008.00 |
| ASCV | 0690285 | 8" | 1 | 58 | 1,237.00 |
| ASCV | 0690286 | 10" | 1 | 79 | 1,703.00 |
| ASCV | 0690289 | 12" | 1 | 108 | 1,903.00 |

Hydrant Meter Backflow

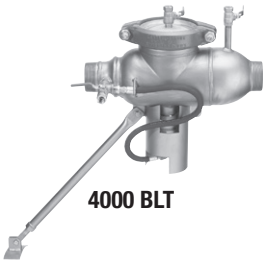
| MODEL | ORDERING CODE | SIZE | QTY. PER CARTON | WEIGHT PER CARTON (LBS.) | LIST PRICE (EACH) |
|--------------|---------------|------|-----------------|--------------------------|-------------------|
| 6000 HMB | 0690618 | | 1 | 120 | 8,215.00 |
| 6000 HMB CFM | 0692541 | | 1 | 120 | 8,215.00 |
| 4000BLT | 0690619 | | 1 | 211 | 4,641.00 |



FFF



ASCV



4000 BLT

Miscellaneous Products



8000-F



8000-G



7001 FLG



LFAFBV-FP-SW

| MODEL | ORDERING CODE | SIZE | QTY. PER CARTON | WEIGHT PER CARTON (LBS.) | LIST PRICE (EACH) |
|-------|---------------|------|-----------------|--------------------------|-------------------|
|-------|---------------|------|-----------------|--------------------------|-------------------|

WYE Strainers

Stainless Steel with Flange end connections

| LEAD FREE* | MODEL | ORDERING CODE | SIZE | QTY. PER CARTON | WEIGHT PER CARTON (LBS.) | LIST PRICE (EACH) |
|------------|--------|---------------|--------|-----------------|--------------------------|-------------------|
| | 8000-F | 0690192 | 2 1/2" | 1 | 21 | \$ 493.50 |
| | 8000-F | 0690193 | 3" | 1 | 26 | 547.00 |
| | 8000-F | 0690194 | 4" | 1 | 33 | 625.50 |
| | 8000-F | 0690196 | 6" | 1 | 70 | 888.50 |
| | 8000-F | 0690197 | 8" | 1 | 91 | 1,533.00 |
| | 8000-F | 0690198 | 10" | 1 | 134 | 2,368.00 |
| | 8000-F | 0690199 | 12" | 1 | 225 | 3,787.00 |

Stainless Steel with Groove end connections

| LEAD FREE* | MODEL | ORDERING CODE | SIZE | QTY. PER CARTON | WEIGHT PER CARTON (LBS.) | LIST PRICE (EACH) |
|------------|--------|---------------|--------|-----------------|--------------------------|-------------------|
| | 8000-G | 0690858 | 2 1/2" | 1 | 16 | 419.50 |
| | 8000-G | 0690859 | 3" | 1 | 21 | 465.50 |
| | 8000-G | 0690860 | 4" | 1 | 28 | 528.50 |
| | 8000-G | 0690862 | 6" | 1 | 60 | 989.00 |
| | 8000-G | 0690863 | 8" | 1 | 81 | 1,356.00 |
| | 8000-G | 0690864 | 10" | 1 | 114 | 2,065.00 |
| | 8000-G | 0690865 | 12" | 1 | 205 | 3,322.00 |

Basket Strainer

Fabricated Steel Epoxy lined and coated Fire Service Strainer. UL/FM

With one clean out port available with Flange end connections or Groove end connection.

| LEAD FREE* | MODEL | ORDERING CODE | SIZE | QTY. PER CARTON | WEIGHT PER CARTON (LBS.) | LIST PRICE (EACH) |
|------------|-------------------|---------------|------|-----------------|--------------------------|-------------------|
| | 7001 1 CO FLG/GRV | 0690894 | 3" | 1 | 70 | 4,534.00 |
| | 7001 1 CO FLG/GRV | 0690893 | 4" | 1 | 120 | 4,654.00 |
| | 7001 1 CO FLG/GRV | 0690892 | 6" | 1 | 232 | 6,681.00 |
| | 7001 1 CO FLG/GRV | 0690891 | 8" | 1 | 560 | 8,403.00 |

With two clean out port available with Flange end connections or Groove end connection.

| LEAD FREE* | MODEL | ORDERING CODE | SIZE | QTY. PER CARTON | WEIGHT PER CARTON (LBS.) | LIST PRICE (EACH) |
|------------|-------------------|---------------|------|-----------------|--------------------------|-------------------|
| | 7002 2 CO FLG/GRV | 0691006 | 3" | 1 | 170 | 4,534.00 |
| | 7002 2 CO FLG/GRV | 0691004 | 4" | 1 | 120 | 4,654.00 |
| | 7002 2 CO FLG/GRV | 0691003 | 6" | 1 | 232 | 6,681.00 |
| | 7002 2 CO FLG/GRV | 0691002 | 8" | 1 | 560 | 8,403.00 |
| | 7002 2 CO FLG/GRV | 0691005 | 10" | 1 | 570 | 10,695.00 |

Gear Operated Slow-Close Ball Valves

Slow-close gear operated ball valve with supervisory switches; NPT threaded end or grooved end connection.

| LEAD FREE* | MODEL | Connection | | QTY. PER CARTON | WEIGHT PER CARTON (LBS.) | LIST PRICE (EACH) |
|------------|-------------|------------|----------|-----------------|--------------------------|-------------------|
| | | Threaded | Grooved | | | |
| | LFAFBV-FP | 88005710 | 88005713 | 1 | 9 | 377.00 |
| | LFAFBV-FP | 88005717 | 88005714 | 1 1/4 | 6 | 405.00 |
| | LFAFBV-FP | 88005711 | 88005715 | 1 1/2 | 4 | 479.50 |
| | LFAFBV-FP | 88005712 | 88005716 | 2 | 4 | 576.00 |
| | LFAFBV-E-FP | 88005718 | - | 1 1/4 | 6 | 418.50 |
| | LFAFBV-E-FP | 88005720 | - | 1 1/2 | 4 | 493.00 |
| | LFAFBV-E-FP | 88005721 | - | 2 | 4 | 589.00 |

Miscellaneous Products

| MODEL | ORDERING CODE | SIZE | QTY. PER CARTON | WEIGHT PER CARTON (LBS.) | LIST PRICE (EACH) |
|-------|---------------|------|-----------------|--------------------------|-------------------|
|-------|---------------|------|-----------------|--------------------------|-------------------|

Valve setters



AVS-C FxF

| | | | | | | | |
|-----------|-----------|---------|---|----|---|-----|-----------|
| LEAD FREE | AVS-C FxF | 0693210 | - | 3 | 1 | 134 | \$ 792.50 |
| | AVS-C FxF | 0693211 | - | 4 | 1 | 161 | 981.00 |
| | AVS-C FxF | 0693212 | - | 6 | 1 | 274 | 1,348.00 |
| | AVS-C FxF | 0693213 | - | 8 | 1 | 379 | 1,913.00 |
| | AVS-C FxF | 0693214 | - | 10 | 1 | 491 | 2,635.00 |



AVS-C FxMJ

| | | | | | | | |
|-----------|------------|---------|---|----|---|-----|----------|
| LEAD FREE | AVS-C FxMJ | 0693215 | - | 3 | 1 | 130 | 792.50 |
| | AVS-C FxMJ | 0693216 | - | 4 | 1 | 157 | 943.00 |
| | AVS-C FxMJ | 0693217 | - | 6 | 1 | 282 | 1,299.00 |
| | AVS-C FxMJ | 0693218 | - | 8 | 1 | 367 | 1,913.00 |
| | AVS-C FxMJ | 0693219 | - | 10 | 1 | 469 | 2,636.00 |



AVS-C MJxMJ

| | | | | | | | |
|-----------|-------------|---------|---|----|---|-----|----------|
| LEAD FREE | AVS-C MJxMJ | 0693220 | - | 3 | 1 | 130 | 860.50 |
| | AVS-C MJxMJ | 0693221 | - | 4 | 1 | 157 | 1,145.00 |
| | AVS-C MJxMJ | 0693222 | - | 6 | 1 | 282 | 1,431.00 |
| | AVS-C MJxMJ | 0693223 | - | 8 | 1 | 367 | 1,843.00 |
| | AVS-C MJxMJ | 0693224 | - | 10 | 1 | 469 | 2,960.00 |

| | | | | | | | |
|-----------|------------------|---------|---|---|---|-----|----------|
| LEAD FREE | AVS-C FxF RP BFG | 0693231 | - | 3 | 1 | 134 | 792.50 |
| | AVS-C FxF RP BFG | 0693225 | - | 4 | 1 | 161 | 981.00 |
| | AVS-C FxF RP BFG | 0693226 | - | 6 | 1 | 274 | 1,481.00 |

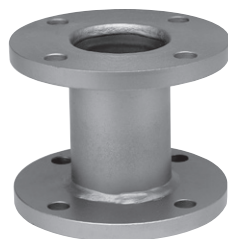
| | | | | | | | |
|-----------|--------------------|---------|---|---|---|-----|----------|
| LEAD FREE | AVS-C FxMJ RP BFG | 0693232 | - | 3 | 1 | 130 | 760.50 |
| | AVS-C FxMJ RP BFG | 0693227 | - | 4 | 1 | 161 | 981.00 |
| | AVS-C FxMJ RP BFG | 0693228 | - | 6 | 1 | 274 | 1,481.00 |
| | AVS-C MJxMJ RP BFG | 0693233 | - | 3 | 1 | 130 | 860.00 |
| | AVS-C MJxMJ RP BFG | 0693229 | - | 4 | 1 | 157 | 1,143.00 |
| | AVS-C MJxMJ RP BFG | 0693230 | - | 6 | 1 | 282 | 1,574.00 |

Accessories

Splash Guard



Air Gap



Spool

| MODEL | ORDERING CODE | SIZE | QTY. PER CARTON | WEIGHT PER CARTON (LBS.) | LIST PRICE (EACH) |
|-------|---------------|------|-----------------|--------------------------|-------------------|
|-------|---------------|------|-----------------|--------------------------|-------------------|

Air Gap Drains

| | | | | | |
|--|---------|---|---|---|----------|
| 1/2", 3/4" 4000B | 7014267 | - | 1 | - | \$ 60.00 |
| 1", 1 1/4", 1 1/2" 4000B | 0691853 | - | 1 | - | 74.00 |
| 2" 4000B | 0691866 | - | 1 | - | 151.00 |
| 2 1/2" - 6" 4000SS Vertical | 0690511 | - | 1 | - | 803.00 |
| 2 1/2" - 10" 4000SS Plastic | 0691842 | - | 1 | - | 192.00 |
| 4000RP/5000RPDA (Epoxy) | 7011361 | - | 1 | - | 827.00 |
| 4" - 10" 4000CIV | 7017299 | - | 1 | - | 303.50 |
| Air Gap, Splash Guard (C-400/M-400, C-500/M-500) | 7018367 | - | 1 | - | 199.00 |
| Splash Guard (only) | 7018894 | - | 1 | - | 59.25 |

LEAD FREE

Elbows

| | | | | | | |
|-------|---------|---|--------------------|---|---|-------|
| 4000B | 7012798 | - | 1/2", 3/4" | 1 | - | 42.25 |
| 4000B | 7012799 | - | 1", 1 1/4", 1 1/2" | 1 | - | 46.00 |
| 4000B | 7016586 | - | 2" | 1 | - | 88.25 |

LEAD FREE

‡Kits include: (2) Elbows, Nut, Bolts, Gaskets and Ring Gaskets.

Test Cocks - Bronze

| | | | | | | |
|---------------------|---------|---|------|---|---|--------|
| SAE-TC/Ames | 0425362 | - | 1/8" | 1 | - | 56.00 |
| TC/Ames | 7017250 | - | 1/8" | 1 | - | 30.50 |
| TC/Ames | 0425363 | - | 1/4" | 1 | - | 57.75 |
| TC for Colt/Maxim | 7018394 | - | 1/2" | 1 | - | 96.50 |
| TC for Colt/Maxim | 7018395 | - | 3/4" | 1 | - | 100.50 |
| SAE-TC Adapter/Ames | 7017627 | - | 1/4" | 1 | - | 48.00 |
| LFASAE-TC | 0425362 | - | 1/8" | 1 | - | 56.00 |
| LFASAE-TC | 0425363 | - | 1/4" | 1 | - | 57.75 |

LEAD FREE

Test Kit

| | | | | | | |
|-------|---------|---|--|---|---|----------|
| ATG-1 | 0385502 | - | | 1 | 8 | 2,092.00 |
|-------|---------|---|--|---|---|----------|

Meters

| | | | | | | |
|--------------------------------|---------|---|--|---|---|--------|
| 5/8 x 3/4 - Cubic Feet | 7011171 | - | | 1 | - | 287.50 |
| 5/8 x 3/4 - Gallons Per Minute | 7011172 | - | | 1 | - | 287.50 |
| 5/8 x 1/2 CFM - Badger | 7017978 | - | | 1 | - | 287.50 |
| 5/8 x 1/2 GPM - Badger | 7017979 | - | | 1 | - | 287.50 |

Remote Outside Meter - Badger

| | | | | | | |
|-----------------------|---------|---|--|---|---|--------|
| ROM DC/RP CFM-B | 7018895 | - | | 1 | - | 783.00 |
| ROM DC/RP GPM-B | 7018896 | - | | 1 | - | 783.00 |
| ROM includes 10' wire | | | | | | |

Spools and flanges For retrofitting backflow preventers

LEAD FREE

Spools available in sizes: 2 1/2" x 1 7/8" - 10" x 1/2"

Flanges available in sizes: 2" x 1/4" - 10" x 1/2"

Contact your local Ames Agent for ordering information and pricing.

Repair Kit Matrix

Kit Type Series Model Kit Contents Size

Example: RK – C500 – RPDA – CK1 – 8"

| <i>Kit Type</i> | <i>Series</i> | <i>Model</i> | <i>Kit Contents</i> | <i>Size</i> |
|--|---------------|--------------|--|-------------|
| RK = Repair Kit HK = Handle Kit AK = Accessory Kit UK = Union Kit | | | B = Bonnet Assembly C = Cover V = Vent or Relief Valve CK = Check or Spring RC = Rubber for Check RV = Rubber for Relief Valve RT = Total Rubber Parts S = Seat M = Metered Bypass L = Less Meter G = GPM C = CFM T = Total (all internal parts) 1 = First Check 2 = Second Check 3 = Both 1st and 2nd Check 4 = Either 1st or 2nd Check SS = Stainless Steel SM = Spring Module | |

| ORDERING CODE | KIT NO. | SIZE | LIST PRICE |
|---------------|---------|------|------------|
|---------------|---------|------|------------|

Cover Kits

| | | | |
|---------|-------------|----------|-----------|
| 7010142 | ARK EPOXY C | 4" | \$ 375.50 |
| 7010143 | ARK EPOXY C | 6" | 552.50 |
| 7010144 | ARK EPOXY C | 8" - 10" | 786.50 |

Kit includes: Cover, Cover Gasket, Vent Screw and Cover Hardware

Seat Kits

| | | | |
|---------|-------------|----------|--------|
| 7010145 | ARK EPOXY S | 4" | 184.00 |
| 7010146 | ARK EPOXY S | 6" | 276.00 |
| 7010147 | ARK EPOXY S | 8" - 10" | 400.50 |

Kit includes: Seat, Seat O-Ring and Cover Gasket

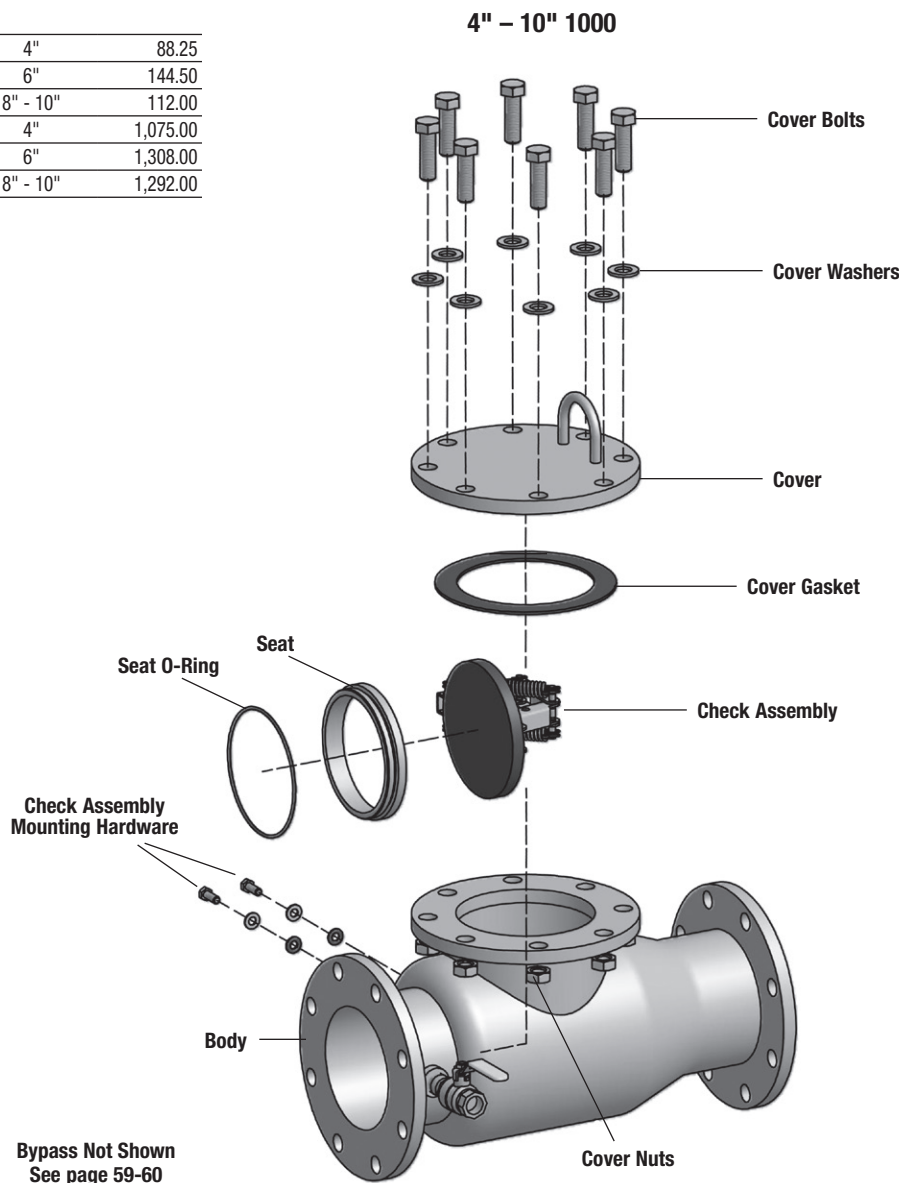
Check Kits

| | | | |
|---------|--------------|----------|--------|
| 7010148 | ARK 1000 CK1 | 4" | 484.50 |
| 7010149 | ARK 1000 CK1 | 6" | 575.00 |
| 7010150 | ARK 1000 CK1 | 8" - 10" | 828.50 |

Kit includes: Check Assembly and Mounting Hardware

Tools

| | | | |
|---------|---------------------------|----------|----------|
| 7013911 | RETAINER CLIP | 4" | 88.25 |
| 7013912 | RETAINER CLIP | 6" | 144.50 |
| 7013913 | RETAINER CLIP | 8" - 10" | 112.00 |
| 7013941 | SEAT INSTALL-REMOVAL TOOL | 4" | 1,075.00 |
| 7013946 | SEAT INSTALL-REMOVAL TOOL | 6" | 1,308.00 |
| 7013950 | SEAT INSTALL-REMOVAL TOOL | 8" - 10" | 1,292.00 |



Bypass Not Shown
See page 59-60

*The wetted surface of this product contacted by consumable water contains less than 0.25% of lead by weight.



| ORDERING CODE | KIT NO. | SIZE | LIST PRICE |
|---------------|---------|------|------------|
|---------------|---------|------|------------|

Check Kits

| | | | | |
|-----------|---------|---------------|----------|-----------|
| LEAD FREE | 7010094 | ARK 1000SS CK | 4" | \$ 710.00 |
| | 7010095 | ARK 1000SS CK | 6" | 891.50 |
| | 7010096 | ARK 1000SS CK | 8" - 10" | 1,025.00 |

Kit includes: Check Assembly, Check O-Ring (4"-6") or Mounting Hardware (8" - 10")

Cover Kits

| | | | | |
|-----------|---------|--------------|-------------|----------|
| LEAD FREE | 7010090 | ARK SS C | 2 1/2" - 4" | 297.00 |
| | 7010091 | ARK SS C | 6" | 421.00 |
| | 7010216 | ARK SS DCV C | 8" - 10" | 1,697.00 |

Kit includes: Cover and Groove Coupler

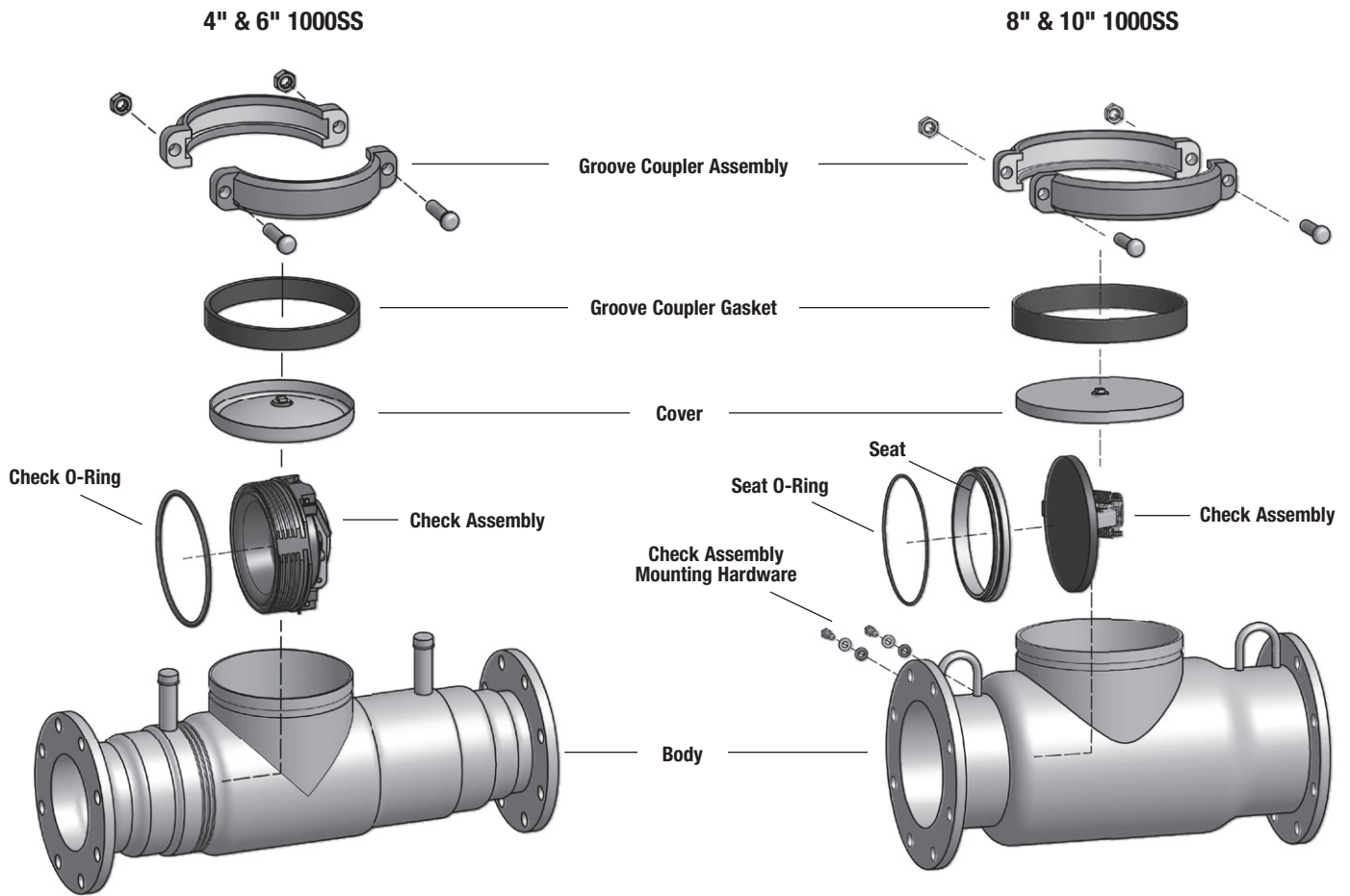
Seat Kits

| | | | |
|---------|-------------|----------|--------|
| 7010147 | ARK EPOXY S | 8" - 10" | 400.50 |
|---------|-------------|----------|--------|

Kit includes: Seat Ring, Seat O-Ring and Cover Gasket Tools

Tools

| | | | |
|---------|---------------------------|----------|----------|
| 7013913 | RETAINER CLIP | 8" - 10" | 112.00 |
| 7013950 | SEAT INSTALL-REMOVAL TOOL | 8" - 10" | 1,292.00 |



Bypass Not Shown
See page See page 59-60

| ORDERING CODE | KIT NO. | SIZE | LIST PRICE |
|---------------|---------|------|------------|
|---------------|---------|------|------------|

1st or 2nd Check Kits

| | | | | |
|-----------|---------|------------------|-----------------|----------|
| LEAD FREE | 7018460 | ARK 200B R10 CK4 | 1/2" - 3/4" | \$ 53.25 |
| | 7018461 | ARK 200B CK4 | 1/2" | 43.50 |
| | 7018462 | ARK 200B CK4 | 3/4" | 62.75 |
| | 7018463 | ARK 200B CK4 | 1" | 65.00 |
| | 7018464 | ARK 200B CK4 | 1 1/4" - 1 1/2" | 120.50 |
| | 7018465 | ARK 200B CK4 | 2" | 123.50 |

Kit includes: Seat, Seat O-Ring, Disc Holder Assembly, Spring, and Cover O-Ring

Total Rubber Parts Kits

| | | | | |
|-----------|---------|-----------------|-----------------|-------|
| LEAD FREE | 7018466 | ARK 200B R10 RT | 1/2" - 3/4" | 17.00 |
| | 7018467 | ARK 200B RT | 1/2" | 13.50 |
| | 7018468 | ARK 200B RT | 3/4" | 13.50 |
| | 7018469 | ARK 200B RT | 1" | 13.50 |
| | 7018470 | ARK 200B RT | 1 1/4" - 1 1/2" | 17.25 |
| | 7018471 | ARK 200B RT | 2" | 18.25 |

Kit includes: Disc Rubber, Seat O-Ring and Two Cover O-Rings

1st or 2nd Check Seat Kits

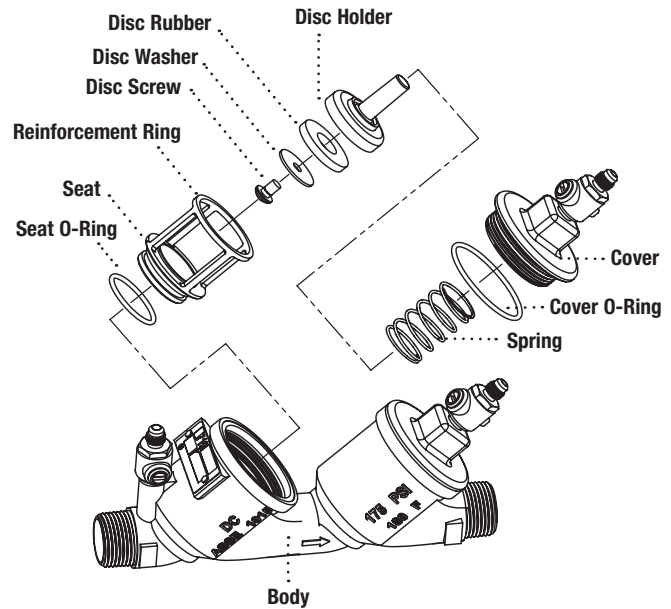
| | | | | |
|-----------|---------|----------------|-----------------|-------|
| LEAD FREE | 7018472 | ARK 200B R10 S | 1/2" - 3/4" | 37.25 |
| | 7018473 | ARK 200B S | 1/2" | 33.75 |
| | 7018474 | ARK 200B S | 3/4" | 44.25 |
| | 7018475 | ARK 200B S | 1" | 45.50 |
| | 7018476 | ARK 200B S | 1 1/4" - 1 1/2" | 69.50 |
| | 7018477 | ARK 200B S | 2" | 77.00 |

Kit includes: Seat, Seat O-Ring and Cover O-Ring

1st or 2nd Check Cover Kits

| | | | | |
|-----------|---------|------------------|-----------------|--------|
| LEAD FREE | 0425432 | LFARK 200B-R10-C | 1/2" - 3/4" | 99.25 |
| | 0425433 | LFARK 200B C | 1/2" | 76.00 |
| | 0425434 | LFARK 200B C | 3/4" | 123.00 |
| | 0425435 | LFARK 200B C | 1" | 128.50 |
| | 0425436 | LFARK 200B C | 1 1/4" - 1 1/2" | 169.00 |
| | 0425437 | LFARK 200B C | 2" | 198.00 |

Kit includes: Cover and Cover O-Ring



| ORDERING CODE | KIT NO. | SIZE | LIST PRICE |
|---------------|---------|------|------------|
|---------------|---------|------|------------|

1st Check Kits

| | | | | |
|-----------|---------|-----------------|-----------------|----------|
| LEAD FREE | 7016330 | ARK 2000B CK4 | 1/2" | \$ 43.50 |
| | 7016331 | ARK 2000BM2 CK1 | 3/4" | 23.75 |
| | 7016332 | ARK 2000BM3 CK1 | 3/4" | 29.50 |
| | 7016333 | ARK 2000BM2 CK4 | 1" | 65.00 |
| | 7016334 | ARK 2000BM2 CK1 | 1 1/4" - 1 1/2" | 120.50 |
| | 7016335 | ARK 2000BM2 CK1 | 2" | 123.50 |

Kit includes: Seat, Seat O-Ring, Disc Assembly, Spring, Check Cage and Cover O-Ring

2nd Check Kits

| | | | | |
|-----------|---------|-----------------|-----------------|--------|
| LEAD FREE | 7016330 | ARK 2000B CK4 | 1/2" | 43.50 |
| | 7016337 | ARK 2000BM2 CK2 | 3/4" | 21.25 |
| | 7016338 | ARK 2000BM3 CK2 | 3/4" | 29.50 |
| | 7016333 | ARK 2000BM1 CK4 | 1" | 65.00 |
| | 7016340 | ARK 2000BM2 CK2 | 1 1/4" - 1 1/2" | 120.50 |
| | 7016341 | ARK 2000BM1 CK2 | 2" | 123.50 |

Kit includes: Seat, Seat O-Ring, Disc Assembly, Spring, Check Cage and Cover O-Ring

Cover Kits

| | | | | |
|-----------|---------|-----------------|-----------------|--------|
| LEAD FREE | 0425400 | LFARK 2000BC | 1/2" | 72.25 |
| | 0425401 | LFARK 2000BM3 C | 3/4" | 84.75 |
| | 0425402 | LFARK 2000BM1 C | 1" | 123.00 |
| | 7016346 | ARK 2000BM2 C | 1 1/4" - 1 1/2" | 143.00 |
| | 7016347 | ARK 2000BM1 C | 2" | 162.00 |

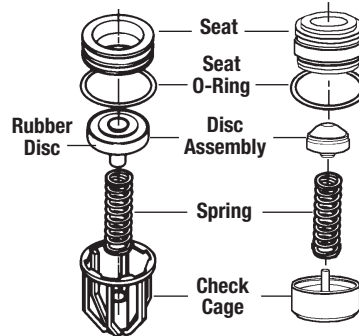
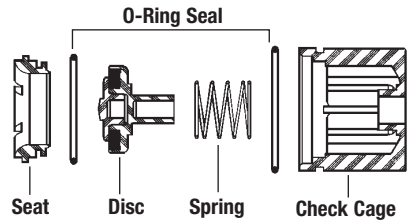
Kit includes: Cover and Cover O-Ring

Total Rubber Parts Kits

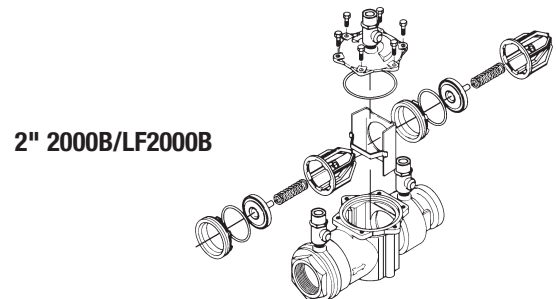
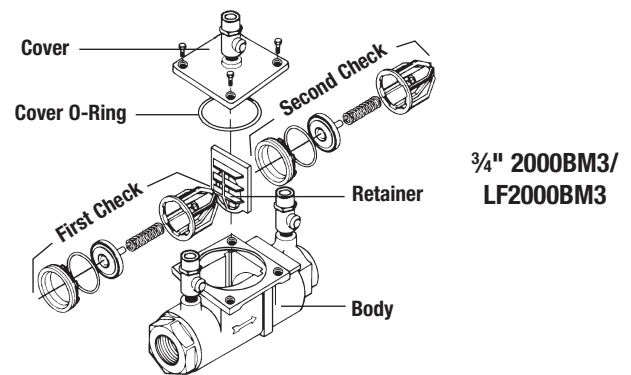
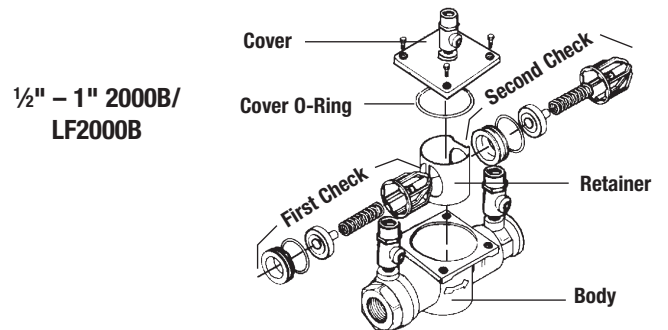
| | | | | |
|-----------|---------|----------------|-----------------|-------|
| LEAD FREE | 7016348 | ARK 2000B RT | 1/2" | 26.75 |
| | 7016349 | ARK 2000BM2 RT | 3/4" | 26.75 |
| | 7016350 | ARK 2000BM3 RT | 3/4" | 25.50 |
| | 7016351 | ARK 2000BM1 RT | 1" | 26.75 |
| | 7016352 | ARK 2000BM2 RT | 1 1/4" - 1 1/2" | 37.00 |
| | 7016353 | ARK 2000BM1 RT | 2" | 37.00 |

Kit includes: Two Cover O-Rings, Two Disc Assemblies and Two Seat O-Rings

Check Assembly 3/4" 2000BM3/LF2000BM3

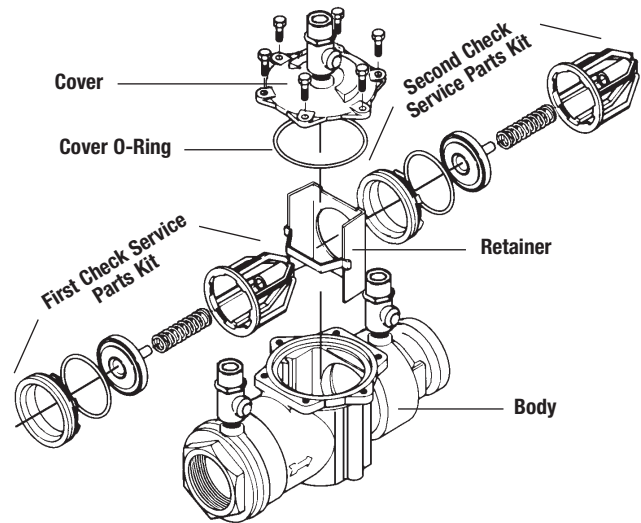
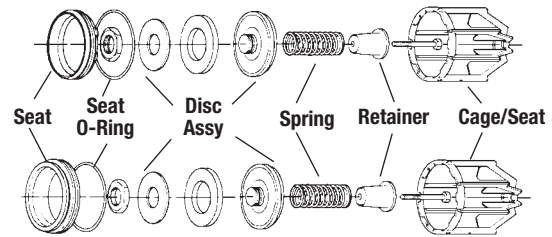


Note: Rubber seat disc can be replaced. However, disc holder and disc retainer are permanently bonded to prevent failure.



| ORDERING CODE | KIT NO. | SIZE | LIST PRICE |
|--|---------------|------|------------|
| 1st Check Kits | | | |
| LEAD FREE 7016200 | ARK 3000B CK1 | 2" | \$ 129.50 |
| Kit includes: Seat, Seat O-Ring, Disc Assembly, Spring, Spring Retainer, Check Cage and Cover O-Ring | | | |
| 2nd Check Kits | | | |
| LEAD FREE 7016201 | ARK 3000B CK2 | 2" | 117.00 |
| Kit includes: Seat, Seat O-Ring, Disc Assembly, Spring, Spring Retainer, Check Cage and Cover O-Ring | | | |
| Total Rubber Parts Kits | | | |
| LEAD FREE 7016202 | ARK 3000B RT | 2" | 35.25 |
| Kit includes: Two Seat Discs, Two seat O-Rings, and Cover O-Ring | | | |
| Cover Kits | | | |
| LEAD FREE 0425411 | LFARK 3000BC | 2" | 172.50 |
| Kit includes: Cover and Cover O-Ring | | | |
| Seat Kits | | | |
| LEAD FREE 7016204 | ARK 3000B S1 | 2" | 97.50 |
| LEAD FREE 7016205 | ARK 3000B S2 | 2" | 97.50 |
| Kit includes: Seat, Seat O-Ring and Cover O-Ring | | | |

Check Assemblies



Series C-200 Double Check Valve Assembly 2½" – 10"
Series C-300/LFC-300 Double Check Detector Assembly 2½" – 10"

| ORDERING CODE | KIT NO. | SIZE | CHECK DISK MATERIAL | LIST PRICE |
|---------------|---------|------|---------------------|------------|
|---------------|---------|------|---------------------|------------|

C200, C300 1st Check Kits

| | | | | | |
|-----------|---------|-------------------|-------------|--------------|-----------|
| LEAD FREE | 7010000 | ARK C200/C300 CK1 | 2 1/2" - 4" | Red Silicone | \$ 325.00 |
| | 7010001 | ARK C200/C300 CK1 | 6" | Red Silicone | 453.00 |
| | 7010002 | ARK C200/C300 CK1 | 8" | Red Silicone | 748.50 |
| | 7010003 | ARK C200/C300 CK1 | 10" | Red Silicone | 1,048.00 |

Kit includes: 1st Check Assembly, Check O-Ring and Lube

C200, C300 2nd Check Kits

| | | | | | |
|-----------|---------|-------------------|-------------|--------------|----------|
| LEAD FREE | 7010004 | ARK C200/C300 CK2 | 2 1/2" - 4" | Red Silicone | 282.50 |
| | 7010005 | ARK C200/C300 CK2 | 6" | Red Silicone | 440.00 |
| | 7010006 | ARK C200/C300 CK2 | 8" | Red Silicone | 748.50 |
| | 7010007 | ARK C200/C300 CK2 | 10" | Red Silicone | 1,048.00 |

Kit includes: 2nd Check Assembly, Check O-Ring and Lube

C200, C300 Check Rubber Kits

| | | | | | |
|-----------|---------|-------------------|-------------|--------------|--------|
| LEAD FREE | 7010008 | ARK C200/C300 RC4 | 2 1/2" - 4" | Red Silicone | 42.50 |
| | 7010009 | ARK C200/C300 RC4 | 6" | Red Silicone | 54.25 |
| | 7010010 | ARK C200/C300 RC4 | 8" | Red Silicone | 75.75 |
| | 7010011 | ARK C200/C300 RC4 | 10" | Red Silicone | 169.00 |

Kit includes: Shutoff Disk (1), Check O-Ring (1), E-Clip, Sleeve O-Ring(s) and Lube

Sleeve Kits

| | | | | | |
|-----------|---------|-----------|-------------|--|----------|
| LEAD FREE | 7010012 | ARK C/M C | 2 1/2" - 4" | | 411.50 |
| | 7010013 | ARK C/M C | 6" | | 552.50 |
| | 7010014 | ARK C/M C | 8" | | 943.50 |
| | 7010015 | ARK C/M C | 10" | | 1,152.00 |

Kit includes: Closure Sleeve, Sleeve O-Ring (2) and Lube

Test Cocks

| | | | | | |
|-----------|---------|-------------|------|---------------|--------|
| LEAD FREE | 7018152 | ARK C/M TC3 | 1/2" | (2 1/2" - 4") | 114.00 |
| | 7018153 | ARK C/M TC3 | 3/4" | (6" - 10") | 114.00 |

Sleeve Test Cock #3

C200a, C300a 1st Check Kits

| | | | | | |
|-----------|---------|---------------------|-------------|------|--------|
| LEAD FREE | 7010016 | ARK C200a/C300a CK1 | 2 1/2" - 4" | EPDM | 325.00 |
| | 7010017 | ARK C200a/C300a CK1 | 6" | EPDM | 453.00 |

Kit includes: 1st Check Assembly, Check O-Ring and Lube

C200a, C300a 2nd Check Kits

| | | | | | |
|-----------|---------|---------------------|-------------|------|--------|
| LEAD FREE | 7010018 | ARK C200a/C300a CK2 | 2 1/2" - 4" | EPDM | 282.50 |
| | 7010019 | ARK C200a/C300a CK2 | 6" | EPDM | 440.00 |

Kit includes: 2nd Check Assembly, Check O-Ring and Lube

C200a, C300a Check Rubber Kits

| | | | | | |
|-----------|---------|---------------------|-------------|------|-------|
| LEAD FREE | 7010020 | ARK C200a/C300a RC4 | 2 1/2" - 4" | EPDM | 42.50 |
| | 7010021 | ARK C200a/C300a RC4 | 6" | EPDM | 54.25 |

Kit includes: Shutoff Disk (1), Check O-Ring (1), E-Clip, Sleeve O-Ring(s) and Lube

Sleeve Kits

| | | | | | |
|-----------|---------|-----------|-------------|--|--------|
| LEAD FREE | 7010012 | ARK C/M C | 2 1/2" - 4" | | 411.50 |
| | 7010013 | ARK C/M C | 6" | | 552.50 |

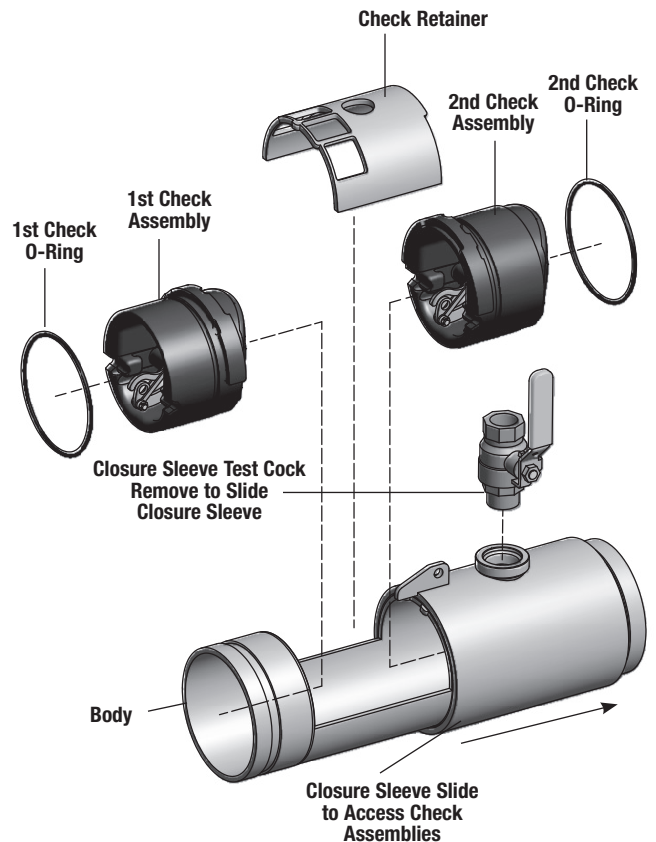
Kit includes: Closure Sleeve, Sleeve O-Ring (2) and Lube

Test Cocks

| | | | | | |
|-----------|---------|-------------|------|---------------|--------|
| LEAD FREE | 7018152 | ARK C/M TC3 | 1/2" | (2 1/2" - 4") | 114.00 |
| | 7018153 | ARK C/M TC3 | 3/4" | (6" - 10") | 114.00 |

Sleeve Test Cock #3

2½" – 10" C200/C300



Repair Parts

Series M-200 Double Check Valve Assembly 2½" – 10" Series M-300/LFM-300 Double Check Detector Assembly 2½" – 10"

| ORDERING CODE | KIT NO. | SIZE | CHECK DISK MATERIAL | LIST PRICE |
|---------------|---------|------|---------------------|------------|
|---------------|---------|------|---------------------|------------|

M200, M300 1st Check Kits

| | | | | | |
|-----------|---------|-------------------|-------------|--------------|-----------|
| LEAD FREE | 7010048 | ARK M200/M300 CK1 | 2 1/2" - 3" | Red Silicone | \$ 325.00 |
| | 7010049 | ARK M200/M300 CK1 | 4" | Red Silicone | 453.00 |
| | 7010050 | ARK M200/M300 CK1 | 6" | Red Silicone | 748.50 |
| | 7010051 | ARK M200/M300 CK1 | 8" - 10" | Red Silicone | 1,048.00 |

Kit includes: 1st Check Assembly, Check O-Ring and Lube

M200, M300 2nd Check Kits

| | | | | | |
|-----------|---------|-------------------|-------------|--------------|----------|
| LEAD FREE | 7010052 | ARK M200/M300 CK2 | 2 1/2" - 3" | Red Silicone | 282.50 |
| | 7010053 | ARK M200/M300 CK2 | 4" | Red Silicone | 440.00 |
| | 7010054 | ARK M200/M300 CK2 | 6" | Red Silicone | 747.50 |
| | 7010055 | ARK M200/M300 CK2 | 8" - 10" | Red Silicone | 1,048.00 |

Kit includes: 2nd Check Assembly, Check O-Ring and Lube

M200, M300 Check Rubber Kits

| | | | | | |
|-----------|---------|-------------------|-------------|--------------|--------|
| LEAD FREE | 7010056 | ARK M200/M300 RC4 | 2 1/2" - 3" | Red Silicone | 42.50 |
| | 7010057 | ARK M200/M300 RC4 | 4" | Red Silicone | 54.25 |
| | 7010058 | ARK M200/M300 RC4 | 6" | Red Silicone | 75.75 |
| | 7010059 | ARK M200/M300 RC4 | 8" - 10" | Red Silicone | 169.00 |

Kit includes: Shutoff Disk (1), Check O-Ring (1), E-Clip, Sleeve O-Ring(s) and Lube

Sleeve Kits

| | | | | | |
|-----------|---------|-----------|-------------|--|----------|
| LEAD FREE | 7010012 | ARK C/M C | 2 1/2" - 3" | | 411.50 |
| | 7010013 | ARK C/M C | 4" | | 552.50 |
| | 7010014 | ARK C/M C | 6" | | 943.50 |
| | 7010015 | ARK C/M C | 8" - 10" | | 1,152.00 |

Kit includes: Closure Sleeve, Sleeve O-Ring (2) and Lube

Test Cocks

| | | | | | |
|-----------|---------|-------------|------|---------------|--------|
| LEAD FREE | 7018152 | ARK C/M TC3 | 1/2" | (2 1/2" - 3") | 114.00 |
| | 7018153 | ARK C/M TC3 | 3/4" | (4" - 10") | 114.00 |

Sleeve Test Cock #3

M200a, M300a 1st Check Kits

| | | | | | |
|-----------|---------|---------------------|-------------|------|--------|
| LEAD FREE | 7010060 | ARK M200a/M300a CK1 | 2 1/2" - 3" | EPDM | 325.00 |
| | 7010061 | ARK M200a/M300a CK1 | 4" | EPDM | 453.00 |

Kit includes: 1st Check Assembly, Check O-Ring and Lube

M200a, M300a 2nd Check Kits

| | | | | | |
|-----------|---------|---------------------|-------------|------|--------|
| LEAD FREE | 7010062 | ARK M200a/M300a CK2 | 2 1/2" - 3" | EPDM | 282.50 |
| | 7010063 | ARK M200a/M300a CK2 | 4" | EPDM | 440.00 |

Kit includes: 2nd Check Assembly, Check O-Ring and Lube

M200a, M300a Check Rubber Kits

| | | | | | |
|-----------|---------|---------------------|-------------|------|-------|
| LEAD FREE | 7010064 | ARK M200a/M300a RC4 | 2 1/2" - 3" | EPDM | 42.50 |
| | 7010065 | ARK M200a/M300a RC4 | 4" | EPDM | 54.25 |

Kit includes: Shutoff Disk (1), Check O-Ring (1), E-Clip, Sleeve O-Ring(s) and Lube

Sleeve Kits

| | | | | | |
|-----------|---------|-----------|-------------|--|----------|
| LEAD FREE | 7010012 | ARK C/M C | 2 1/2" - 3" | | 411.50 |
| | 7010013 | ARK C/M C | 4" | | 552.50 |
| | 7010014 | ARK C/M C | 6" | | 943.50 |
| | 7010015 | ARK C/M C | 8" - 10" | | 1,152.00 |

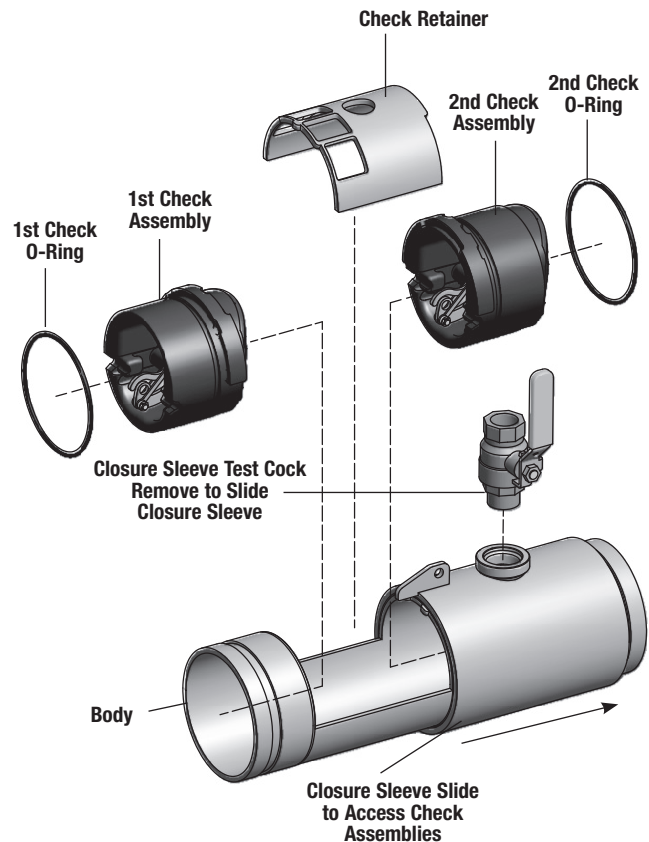
Kit includes: Closure Sleeve, Sleeve O-Ring (2) and Lube

Test Cocks

| | | | | | |
|-----------|---------|-------------|------|---------------|--------|
| LEAD FREE | 7018152 | ARK C/M TC3 | 1/2" | (2 1/2" - 3") | 114.00 |
| | 7018153 | ARK C/M TC3 | 3/4" | (4" - 10") | 114.00 |

Sleeve Test Cock #3

2½" – 10" M200/M300



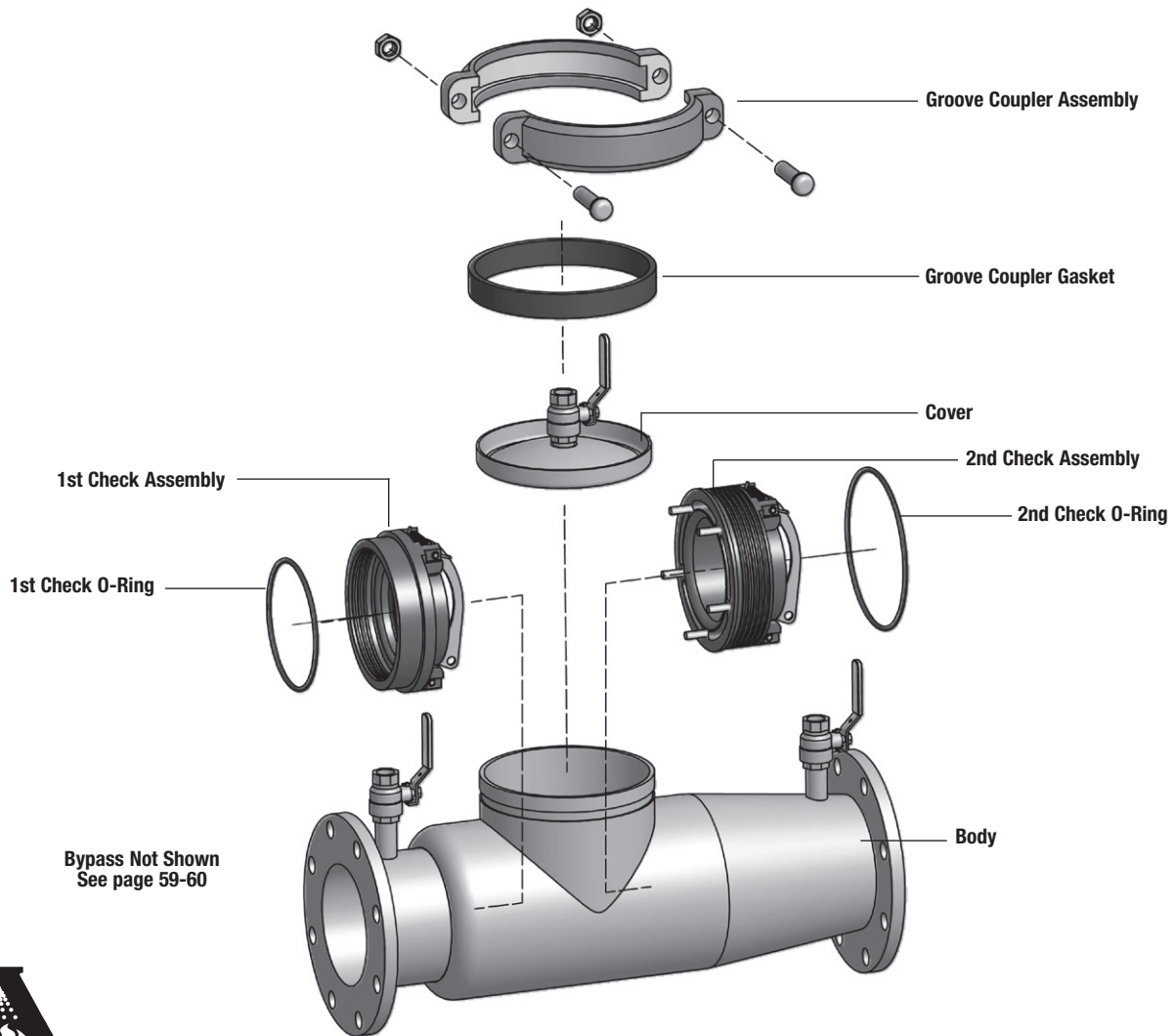
Repair Parts

Series 2000SS/2000SE Double Check Valve Assembly 2½" – 6", 6" & 8" Series 3000SS/3000SE Double Check Detector Assembly 2½" – 6", 6" & 8"

| ORDERING CODE | KIT NO. | SIZE | LIST PRICE |
|---|-----------------------|------|------------|
| 2000SE, 3000SE 1st Check Kits | | | |
| LEAD FREE 7010103 | ARK 2000SE/3000SE CK1 | 6" | \$ 309.50 |
| 7010104 | ARK 2000SE/3000SE CK1 | 8" | 330.00 |
| Kit includes: 1st Check Assembly, Check O-Ring and Lube | | | |
| 2000SE, 3000SE 2nd Check Kits | | | |
| LEAD FREE 7010105 | ARK 2000SE/3000SE CK2 | 6" | 309.50 |
| 7010106 | ARK 2000SE/3000SE CK2 | 8" | 330.00 |
| Kit includes: 2nd Check Assembly, Check O-Ring and Lube | | | |
| Cover Kits | | | |
| LEAD FREE 7010092 | ARK SE C | 6" | 526.50 |
| 7010093 | ARK SE/SS C | 8" | 647.50 |
| Kit includes: Cover, Groove Coupler and Gasket | | | |

| ORDERING CODE | KIT NO. | SIZE | LIST PRICE |
|---|-----------------------|-------------|------------|
| 2000SS, 3000SS 1st Check Kits | | | |
| LEAD FREE 7010097 | ARK 2000SS/3000SS CK1 | 2 1/2" - 4" | \$ 309.50 |
| 7010098 | ARK 2000SS/3000SS CK1 | 6" | 330.00 |
| Kit includes: 1st Check Assembly, Check O-Ring and Lube | | | |
| 2000SS, 3000SS 2nd Check Kits | | | |
| LEAD FREE 7010100 | ARK 2000SS/3000SS CK2 | 2 1/2" - 4" | 309.50 |
| 7010101 | ARK 2000SS/3000SS CK2 | 6" | 330.00 |
| Kit includes: 2nd Check Assembly, Check O-Ring and Lube | | | |
| Cover Kits | | | |
| LEAD FREE 7010090 | ARK SS C | 2 1/2" - 4" | 297.00 |
| 7010091 | ARK SS C | 6" | 421.00 |
| Kit includes: Cover, Groove Coupler and Gasket | | | |

2½" THROUGH 6" 2000SS/3000SS 6" & 8" 2000SE/3000SE



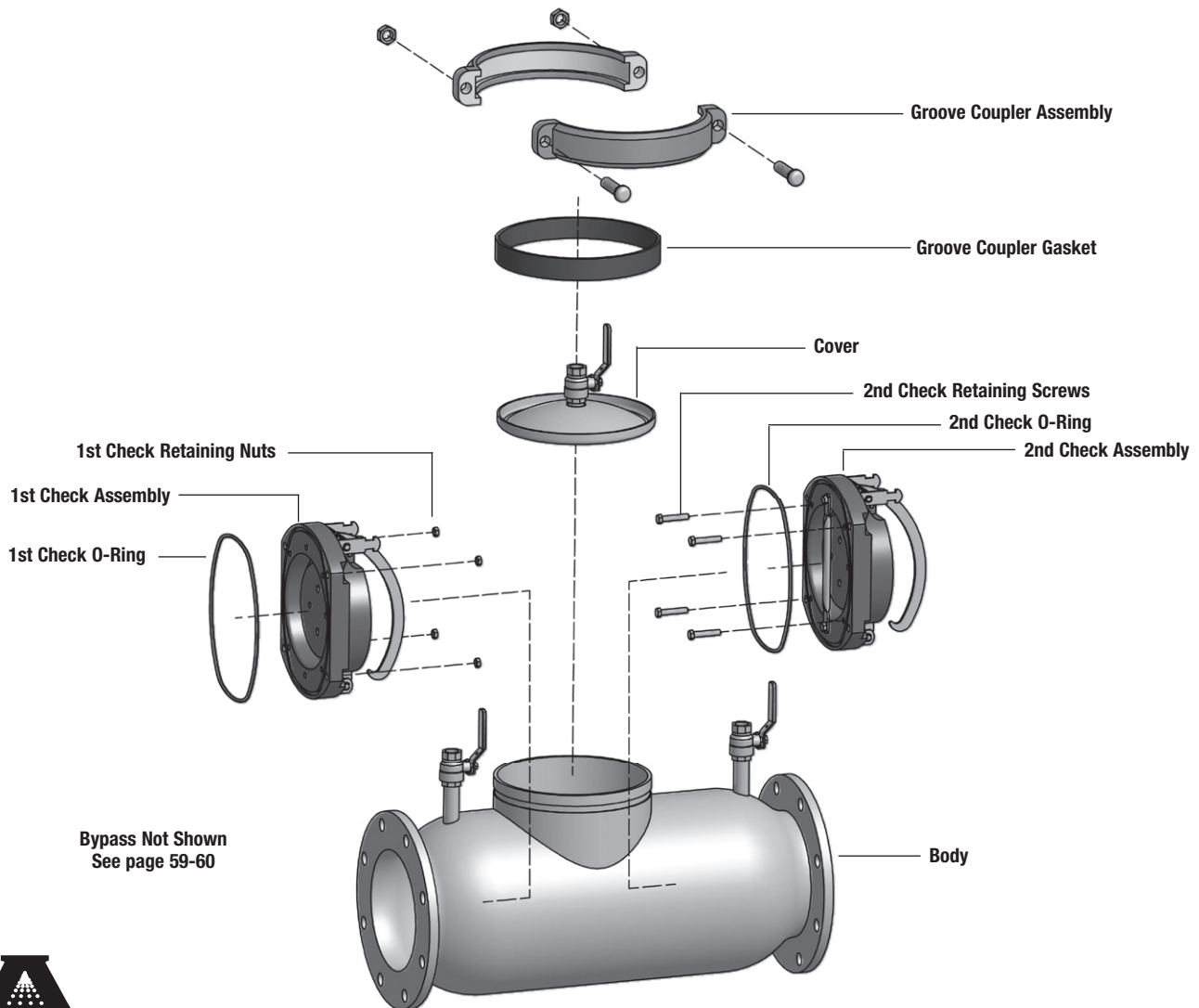
*The wetted surface of this product contacted by consumable water contains less than 0.25% of lead by weight.

Repair Parts

Series 2000SS Double Check Valve Assembly 8" – 12" Series 3000SS Double Check Detector Assembly 8" – 12"

| ORDERING CODE | KIT NO. | SIZE | LIST PRICE |
|---|-----------------------|----------|------------|
| 2000SS, 3000SS 1st Check Kit | | | |
| LEAD FREE 7010099 | ARK 2000SS/3000SS CK1 | 8" - 12" | \$ 950.00 |
| Kit includes: 1st Check Assembly, Check O-Ring, Retaining Nuts (4), and Lube | | | |
| 2000SS, 3000SS 2nd Check Kit | | | |
| LEAD FREE 7010102 | ARK 2000SS/3000SS CK2 | 8" - 12" | 950.00 |
| Kit includes: 2nd Check Assembly, Check O-Ring, Retaining Screws (4) and Lube | | | |
| Cover Kit | | | |
| LEAD FREE 7010093 | ARK SE/SS C | 8" - 12" | 647.50 |
| Kit includes: Cover, Groove Coupler and Gasket | | | |

8" THROUGH 12" 2000SS/3000SS



*The wetted surface of this product contacted by consumable water contains less than 0.25% of lead by weight.

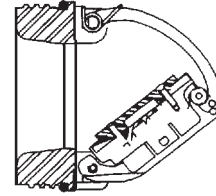
Repair Parts

Series 2001SS Double Check Valve Assembly 2½" – 8" Series 3001SS Double Check Detector Assembly 2½" – 8"

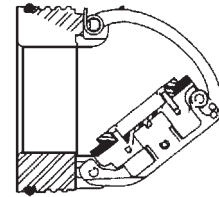
| ORDERING CODE | KIT NO. | SIZE | LIST PRICE |
|--|-----------------------|-------------|------------|
| 2001SS, 3001SS 1st Check Kits | | | |
| LEAD FREE 7010118 | ARK 2001SS/3001SS CK1 | 2 1/2" - 4" | \$ 512.50 |
| 7010119 | ARK 2001SS/3001SS CK1 | 6" - 8" | 633.50 |
| Kit includes: 1st Check Assembly, Check O-Ring and Lube | | | |
| 2001SS, 3001SS 2nd Check Kits | | | |
| LEAD FREE 7010120 | ARK 2001SS/3001SS CK2 | 2 1/2" - 4" | 598.00 |
| 7010121 | ARK 2001SS/3001SS CK2 | 6" - 8" | 805.00 |
| Kit includes: 2nd Check Assembly, Check O-Ring and Lube | | | |
| 1st Check Rubber Part Kits | | | |
| LEAD FREE 7010122 | ARK 2001SS/3001SS RC1 | 2 1/2" - 4" | 21.75 |
| 7010123 | ARK 2001SS/3001SS RC1 | 6" - 8" | 30.75 |
| Kit includes: Check Disc and Check O-Ring, C-Clips(2) and Lube | | | |
| 2nd Check Rubber Part Kits | | | |
| LEAD FREE 7010124 | ARK 2001SS/3001SS RC2 | 2 1/2" - 4" | 33.50 |
| 7010125 | ARK 2001SS/3001SS RC2 | 6" - 8" | 48.50 |
| Kit includes: Check Disc and Check O-Ring, C-Clips(2) and Lube | | | |
| Total Rubber Parts Kits | | | |
| LEAD FREE 7010126 | ARK 2001SS/3001SS RT | 2 1/2" - 4" | 48.75 |
| 7010127 | ARK 2001SS/3001SS RT | 6" - 8" | 54.75 |
| Kit includes: Check Disc (2) and Check O-Ring (2) | | | |
| Cover Kits | | | |
| LEAD FREE 7010090 | ARK SS C | 2 1/2" - 4" | 297.00 |
| 7010091 | ARK SS C | 6" - 8" | 421.00 |

Kit includes: Cover, Groove Coupler, and Gasket

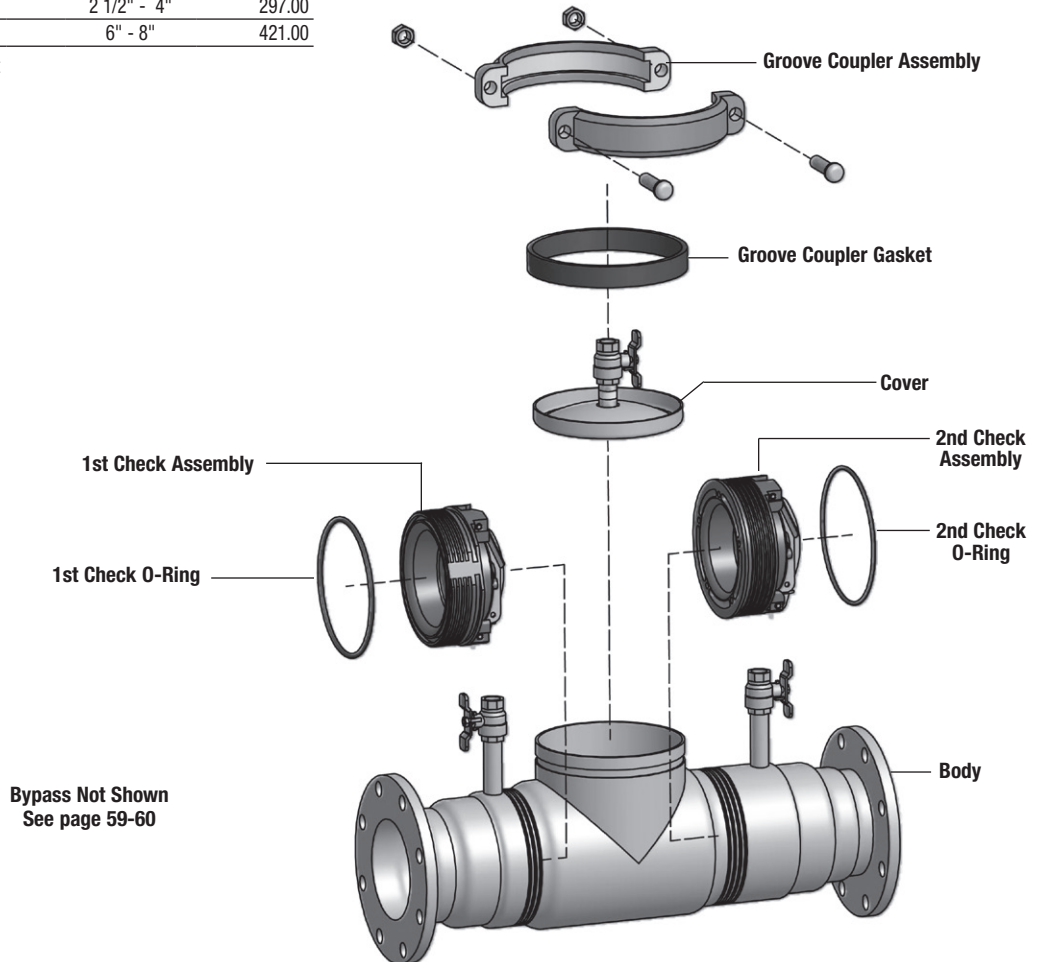
No. 1 Check Assembly



No. 2 Check Assembly



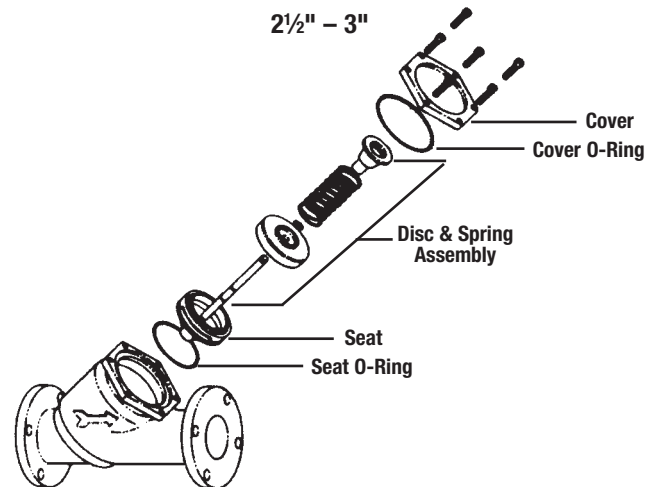
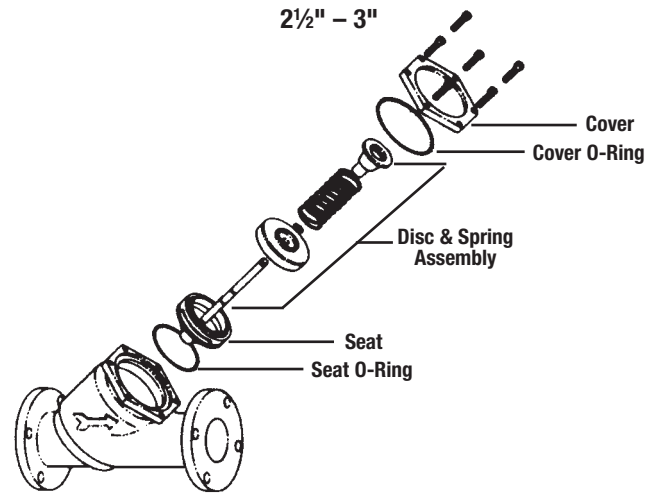
3" – 8" 2001SS/3001SS



Repair Parts

Series 2000CIV Double Check Valve Assembly 2½" – 3" Series 3000CIV Double Check Detector Assembly 2½" – 3"

| | ORDERING CODE | KIT NO. | SIZE | LIST PRICE |
|---|---------------|-------------------|------------|------------|
| 2000CIV 1st or 2nd Check Kit | | | | |
| LEAD FREE | 0425406 | LFARK 2000CIV CK4 | 2 1/2", 3" | \$ 558.50 |
| Kit includes: Disc & Spring Assembly and Cover O-Ring | | | | |
| Check Rubber Kit (for one 2000CIV check) | | | | |
| LEAD FREE | 7016305 | ARK 2000CIV RC4 | 2 1/2", 3" | 76.50 |
| Kit includes; Seat Discs, Seat O-Ring and Cover O-Ring | | | | |
| 2000CIV Seat Kit | | | | |
| LEAD FREE | 0425409 | LFARK 2000CIV S | 2 1/2", 3" | 224.50 |
| Kit includes: Seat, Seat O-Ring | | | | |
| 2000CIV Total Rubber Parts Kit | | | | |
| LEAD FREE | 7016310 | ARK 2000CIV RT | 2 1/2", 3" | 154.00 |
| Kit includes: Two Discs, Two Cover O-Rings | | | | |
| 2000CIV Cover Kit | | | | |
| LEAD FREE | 7016320 | ARK 2000CIV C | 2 1/2", 3" | 266.00 |
| Kit includes: Cover, Cover O-Ring | | | | |
| 3000CIV 1st Check Kit | | | | |
| LEAD FREE | 0425407 | LFARK 3000CIV CK1 | 2 1/2", 3" | 716.50 |
| Kit includes: Disc Assembly, Spring Assembly and Cover O-Ring | | | | |
| 3000CIV 2nd Check Kit | | | | |
| LEAD FREE | 0425408 | LFARK 3000CIV CK2 | 2 1/2", 3" | 561.00 |
| Kit includes: Disc Assembly, Spring Assembly and Cover O-Ring | | | | |
| 3000CIV Seat Kit | | | | |
| LEAD FREE | 7016615 | ARK 3000CIV S | 2 1/2", 3" | 167.00 |
| Kit includes: Seat, Seat O-Ring | | | | |
| 3000CIV Total Rubber Parts Kit | | | | |
| LEAD FREE | 7016610 | ARK 3000CIV RC4 | 2 1/2", 3" | 76.50 |
| Kit includes: Two Seat Discs, Two Seat O-Rings, Two Cover O-Rings | | | | |
| 3000CIV Cover Kit | | | | |
| LEAD FREE | 7016620 | ARK 3000CIV C | 2 1/2", 3" | 270.50 |
| Kit includes: Cover, Cover O-Ring | | | | |



Repair Parts

Series 2000CIV Double Check Valve Assembly 4" – 10" Series 3000CIV Double Check Detector Assembly 4" – 10"

| | ORDERING CODE | KIT NO. | SIZE | LIST PRICE |
|--------------------------------------|---------------|-------------------|------|------------|
| 2000CIV 1st or 2nd Check Kits | | | | |
| LEAD FREE | 0425412 | LFARK 2000CIV CK4 | 4" | \$ 911.00 |
| | 0425413 | LFARK 2000CIV CK4 | 6" | 1,573.00 |
| | 0425414 | LFARK 2000CIV CK4 | 8" | 2,880.00 |
| | 0425415 | LFARK 2000CIV CK4 | 10" | 3,876.00 |

Kit includes: Disc & Spring Assembly and Cover O-Ring

Check Rubber Parts Kits (for one 2000CIV check)

| | | | | |
|-----------|---------|-----------------|-----|--------|
| LEAD FREE | 7016306 | ARK 2000CIV RC4 | 4" | 102.50 |
| | 7016307 | ARK 2000CIV RC4 | 6" | 117.00 |
| | 7016308 | ARK 2000CIV RC4 | 8" | 141.00 |
| | 7016309 | ARK 2000CIV RC4 | 10" | 193.00 |

Kit includes: Disc and Cover O-Ring

2000CIV Total Rubber Parts Kits

| | | | | |
|-----------|---------|----------------|-----|--------|
| LEAD FREE | 7016311 | ARK 2000CIV RT | 4" | 204.50 |
| | 7016312 | ARK 2000CIV RT | 6" | 233.00 |
| | 7016313 | ARK 2000CIV RT | 8" | 282.00 |
| | 7016314 | ARK 2000CIV RT | 10" | 386.00 |

Kit includes: Two Discs and Two Cover O-Rings

2000CIV Seat Kits

| | | | | |
|-----------|---------|-----------------|-----|----------|
| LEAD FREE | 0425424 | LFARK 2000CIV S | 4" | 328.50 |
| | 0425425 | LFARK 2000CIV S | 6" | 565.00 |
| | 0425426 | LFARK 2000CIV S | 8" | 1,350.00 |
| | 0425427 | LFARK 2000CIV S | 10" | 1,577.00 |

Kit includes: Seat, Seat O-Ring, Retainer Wire and Cover O-Ring

2000CIV Cover Kits

| | | | | |
|-----------|---------|---------------|-----|----------|
| LEAD FREE | 7016321 | ARK 2000CIV C | 4" | 297.50 |
| | 7016322 | ARK 2000CIV C | 6" | 415.00 |
| | 7016323 | ARK 2000CIV C | 8" | 681.00 |
| | 7016324 | ARK 2000CIV C | 10" | 1,526.00 |

Kit includes: Cover and Cover O-Ring

3000CIV 1st Check Kits

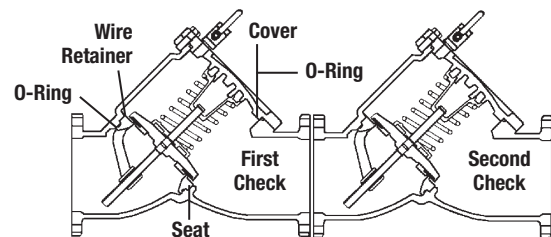
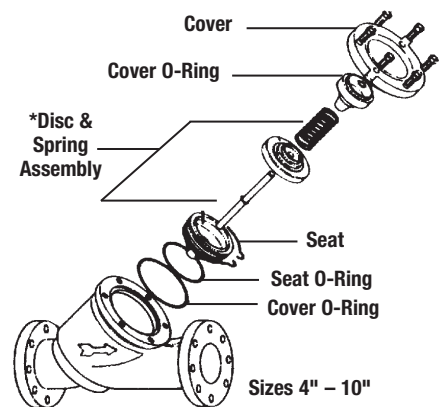
| | | | | |
|-----------|---------|------------------|-----|----------|
| LEAD FREE | 0425416 | LFARK 3000CIVCK1 | 4" | 995.50 |
| | 0425417 | LFARK 3000CIVCK1 | 6" | 1,798.00 |
| | 0425418 | LFARK 3000CIVCK1 | 8" | 3,250.00 |
| | 0425419 | LFARK 3000CIVCK1 | 10" | 4,824.00 |

Kit includes: Disc Assembly, Spring Assembly and Cover O-Ring

3000CIV 2nd Check Kits

| | | | | |
|-----------|---------|------------------|-----|----------|
| LEAD FREE | 0425420 | LFARK 3000CIVCK2 | 4" | 911.00 |
| | 0425421 | LFARK 3000CIVCK2 | 6" | 1,573.00 |
| | 0425422 | LFARK 3000CIVCK2 | 8" | 2,880.00 |
| | 0425423 | LFARK 3000CIVCK2 | 10" | 3,876.00 |

Kit includes: Disc Assembly, Spring Assembly and Cover O-Ring



| | ORDERING CODE | KIT NO. | SIZE | LIST PRICE |
|--|---------------|-----------------|------|------------|
| Rubber Parts Kits (for one 3000CIV check) | | | | |
| LEAD FREE | 7016611 | ARK 3000CIV RC4 | 4" | \$ 102.50 |
| | 7016612 | ARK 3000CIV RC4 | 6" | 117.00 |
| | 7016613 | ARK 3000CIV RC4 | 8" | 141.00 |
| | 7016614 | ARK 3000CIV RC4 | 10" | 193.00 |

Kit includes: Disc and Cover O-Ring

3000CIV Seat Kits

| | | | | |
|-----------|---------|----------------|-----|----------|
| LEAD FREE | 0425428 | LFARK 3000CIVS | 4" | 328.50 |
| | 0425429 | LFARK 3000CIVS | 6" | 565.00 |
| | 0425430 | LFARK 3000CIVS | 8" | 1,350.00 |
| | 0425431 | LFARK 3000CIVS | 10" | 1,577.00 |

Kit includes: Seat, Seat O-Ring, Retainer Wire and Cover O-Ring

3000CIV Cover Kits

| | | | | |
|-----------|---------|---------------|-----|----------|
| LEAD FREE | 7016621 | ARK 3000CIV C | 4" | 303.50 |
| | 7016622 | ARK 3000CIV C | 6" | 423.00 |
| | 7016623 | ARK 3000CIV C | 8" | 694.00 |
| | 7016624 | ARK 3000CIV C | 10" | 1,556.00 |

Kit includes: Cover and Cover O-Ring

Repair Parts

Series 2000DCA Double Check Valve Assembly 4" – 10" Series 3000DCDA Double Check Detector Assembly 4" – 10"

| ORDERING CODE | KIT NO. | SIZE | LIST PRICE |
|---------------|---------|------|------------|
|---------------|---------|------|------------|

2000DCA, 3000DCDA 1st or 2nd Check Kits

| | | | | |
|-----------|---------|--------------------------|-----|-----------|
| LEAD FREE | 7010154 | ARK 2000DCA CK4 | 4" | \$ 491.50 |
| | 7010155 | ARK 2000DCA CK4 | 6" | 515.50 |
| | 7010156 | ARK 2000DCA CK4 | 8" | 733.00 |
| | 7010157 | ARK 2000DCA/3000DCDA CK4 | 10" | 1,069.00 |
| | 7010158 | ARK 3000DCA CK4 | 4" | 517.50 |
| | 7010159 | ARK 3000DCA CK4 | 6" | 584.00 |
| | 7010160 | ARK 3000DCA CK4 | 8" | 809.50 |

Kit includes: Check Assembly (1) and Check Mounting Hardware

Cover Kits

| | | | | |
|-----------|---------|-------------|----------|--------|
| LEAD FREE | 7010142 | ARK EPOXY C | 4" | 375.50 |
| | 7010143 | ARK EPOXY C | 6" | 552.50 |
| | 7010144 | ARK EPOXY C | 8" - 10" | 786.50 |

Kit includes: Cover, Cover Gasket and Vent Screw

| ORDERING CODE | KIT NO. | SIZE | LIST PRICE |
|---------------|---------|------|------------|
|---------------|---------|------|------------|

Seat Kits

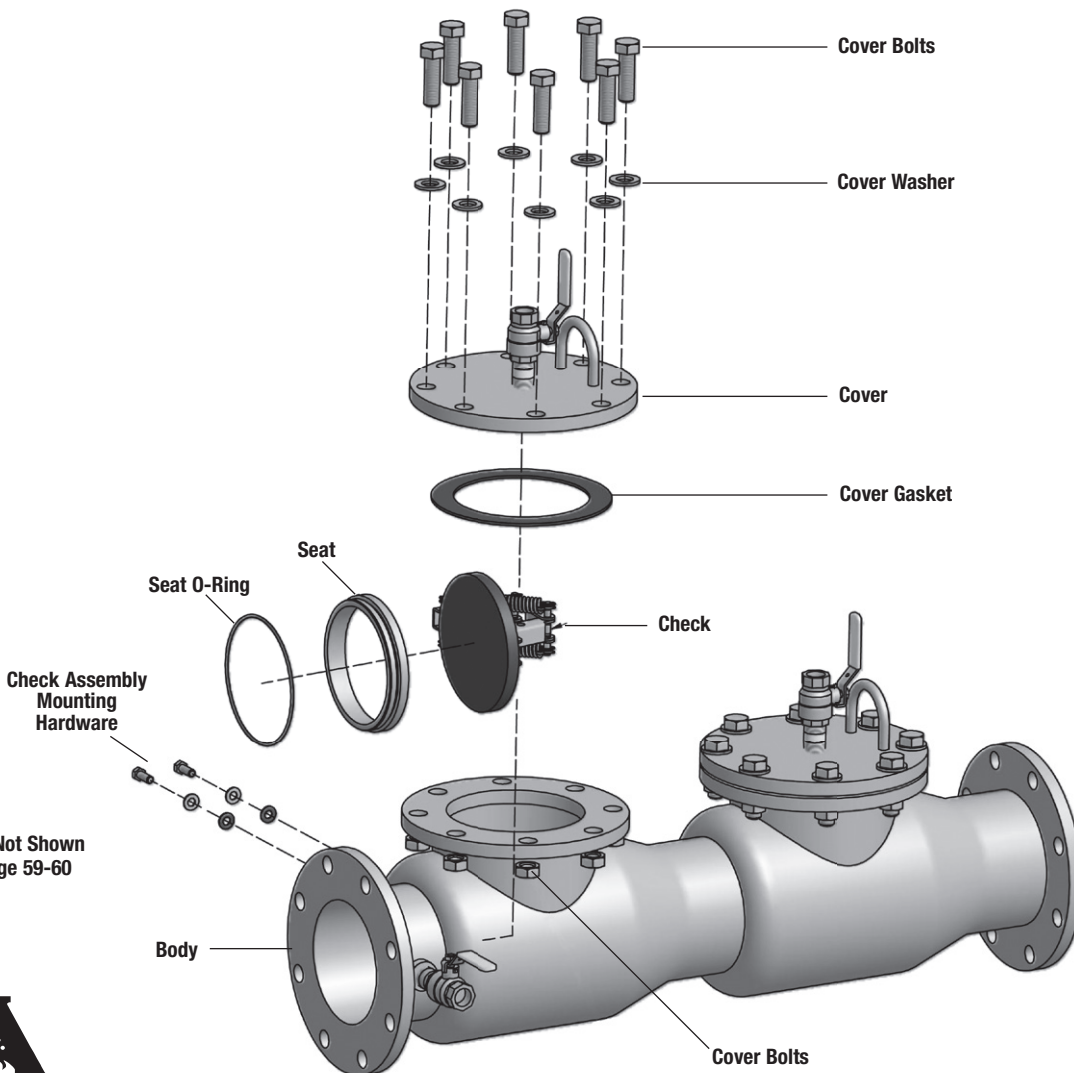
| | | | |
|---------|-------------|----------|-----------|
| 7010145 | ARK EPOXY S | 4" | \$ 184.00 |
| 7010146 | ARK EPOXY S | 6" | 276.00 |
| 7010147 | ARK EPOXY S | 8" - 10" | 400.50 |

Kit includes: Seat, Seat O-Ring and Cover Gasket

Tools

| | | | |
|---------|---------------------------|----------|----------|
| 7013911 | RETAINER CLIP | 4" | 88.25 |
| 7013912 | RETAINER CLIP | 6" | 144.50 |
| 7013913 | RETAINER CLIP | 8" - 10" | 112.00 |
| 7013941 | SEAT INSTALL-REMOVAL TOOL | 4" | 1,075.00 |
| 7013946 | SEAT INSTALL-REMOVAL TOOL | 6" | 1,308.00 |
| 7013950 | SEAT INSTALL-REMOVAL TOOL | 8" - 10" | 1,292.00 |

4" – 10" 2000DCA/3000DCDA



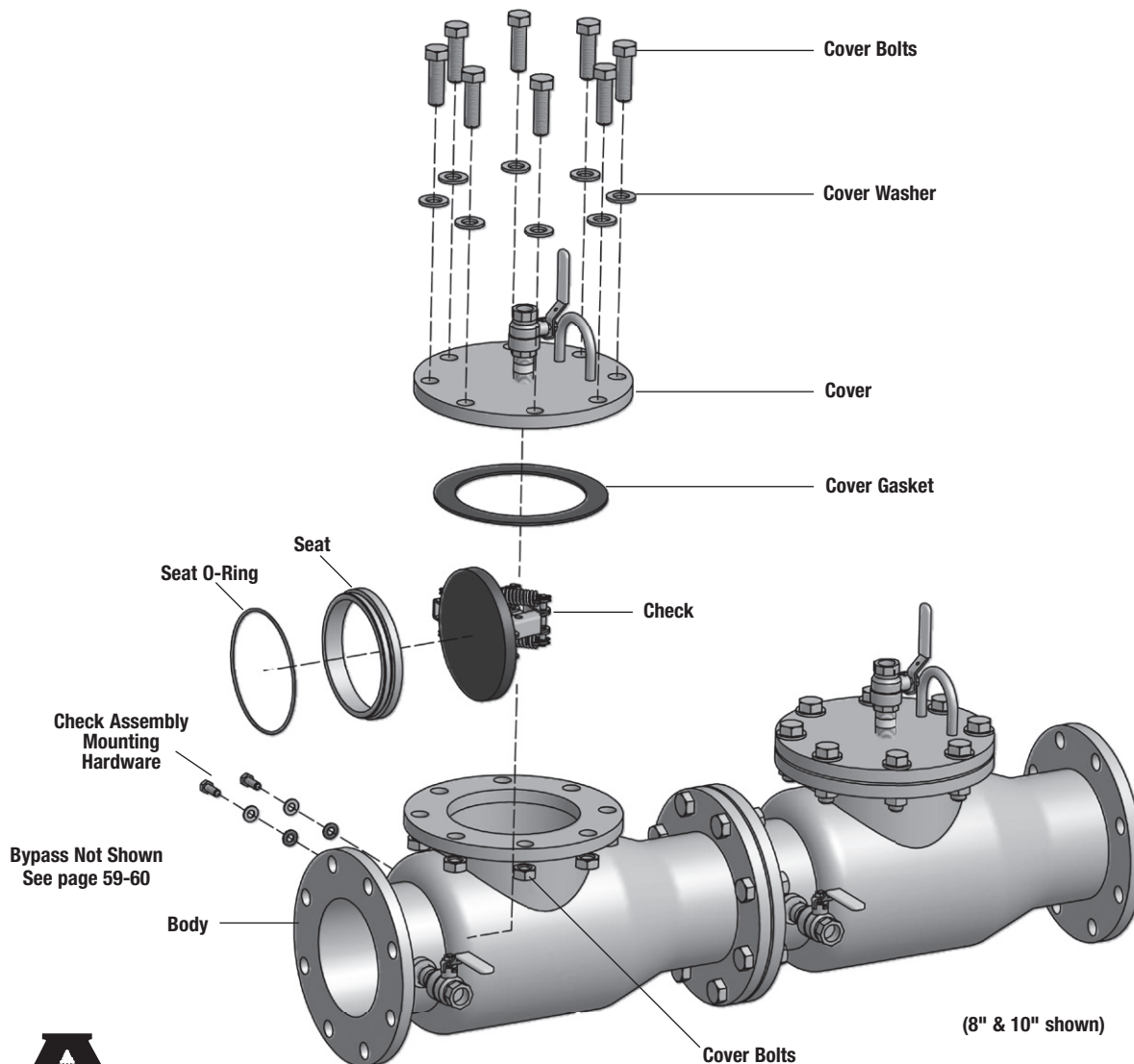
Repair Parts

Series 2000DC Double Check Valve Assembly 4" – 10" Series 3000DCDC Double Check Detector Assembly 4" – 10"

| ORDERING CODE | KIT NO. | SIZE | LIST PRICE |
|---|-------------------------|----------|-------------|
| 2000DC, 3000DCDC Check Kits | | | |
| LEAD FREE 7010151 | ARK 2000DC/3000DCDC CK4 | 4" | \$ 3,014.00 |
| 7010153 | ARK 2000DC/3000DCDC CK4 | 8" - 10" | 1,069.00 |
| Kit includes: Check Assembly, Bonnet Gasket and Check Mounting Hardware | | | |
| Cover Kits | | | |
| LEAD FREE 7010142 | ARK EPOXY C | 4" | 375.50 |
| 7010143 | ARK EPOXY C | 6" | 552.50 |
| 7010144 | ARK EPOXY C | 8" - 10" | 786.50 |
| Kit includes: Cover, Cover Gasket, Vent Screw | | | |

| ORDERING CODE | KIT NO. | SIZE | LIST PRICE |
|--|---------------------------|----------|------------|
| Seat Kits | | | |
| 7010145 | ARK EPOXY S | 4" | \$ 184.00 |
| 7010146 | ARK EPOXY S | 6" | 276.00 |
| 7010147 | ARK EPOXY S | 8" - 10" | 400.50 |
| Kit includes: Seat, Seat O-Ring and Cover Gasket | | | |
| Tools | | | |
| 7013911 | RETAINER CLIP | 4" | 88.25 |
| 7013912 | RETAINER CLIP | 6" | 144.50 |
| 7013913 | RETAINER CLIP | 8" - 10" | 112.00 |
| 7013941 | SEAT INSTALL-REMOVAL TOOL | 4" | 1,075.00 |
| 7013946 | SEAT INSTALL-REMOVAL TOOL | 6" | 1,308.00 |
| 7013950 | SEAT INSTALL-REMOVAL TOOL | 8" - 10" | 1,292.00 |
| 7016090 | TONG TOOL | | 211.00 |

4" – 10" 2000DC/3000DCDC



*The wetted surface of this product contacted by consumable water contains less than 0.25% of lead by weight.

| ORDERING CODE | KIT NO. | SIZE | LIST PRICE |
|---------------|---------|------|------------|
|---------------|---------|------|------------|

1st Check Kits

| | | | | |
|-----------|---------|--------------|-----------------|--------|
| LEAD FREE | 7018486 | ARK 400B CK1 | 3/4" | 69.00 |
| | 7018487 | ARK 400B CK1 | 1" | 69.00 |
| | 7018488 | ARK 400B CK1 | 1 1/4" - 1 1/2" | 126.50 |
| | 7018489 | ARK 400B CK1 | 2" | 135.50 |

Kit includes: Check Assembly, Seat, Seat O-Ring, Spring and Cover O-Ring

2nd Check Kits

| | | | | |
|-----------|---------|--------------|-----------------|--------|
| LEAD FREE | 7018491 | ARK 400B CK2 | 3/4" | 62.75 |
| | 7018492 | ARK 400B CK2 | 1" | 62.75 |
| | 7018493 | ARK 400B CK2 | 1 1/4" - 1 1/2" | 118.50 |
| | 7018494 | ARK 400B CK2 | 2" | 120.50 |

Kit includes: Check Assembly, Seat, Seat O-Ring, Spring and Cover O-Ring

1st or 2nd Check Rubber Parts Kits

| | | | | |
|-----------|---------|--------------|-----------------|-------|
| LEAD FREE | 7018496 | ARK 400B RC4 | 3/4" | 13.50 |
| | 7018497 | ARK 400B RC4 | 1" | 13.50 |
| | 7018498 | ARK 400B RC4 | 1 1/4" - 1 1/2" | 17.25 |
| | 7018499 | ARK 400B RC4 | 2" | 18.25 |

Kit includes: Disc, Seat O-Ring and Cover O-Ring

Seat Kits

| | | | | |
|-----------|---------|------------|-----------------|-------|
| LEAD FREE | 7018501 | ARK 400B S | 3/4" | 44.25 |
| | 7018502 | ARK 400B S | 1" | 45.50 |
| | 7018503 | ARK 400B S | 1 1/4" - 1 1/2" | 69.50 |
| | 7018504 | ARK 400B S | 2" | 77.00 |

Kit includes: Seat, Seat O-Ring and Cover O-Ring

Total Rubber Parts Kits

| | | | | |
|-----------|---------|-------------|-----------------|-------|
| LEAD FREE | 7018506 | ARK 400B RT | 3/4" | 74.00 |
| | 7018507 | ARK 400B RT | 1" | 77.00 |
| | 7018508 | ARK 400B RT | 1 1/4" - 1 1/2" | 93.50 |
| | 7018509 | ARK 400B RT | 2" | 97.25 |

Kit includes: 2 Check Discs, 2 Check Seat O-Rings, 2 Check Cover O-Rings, RV Disc, RV O-Ring, and RV Cover O-Ring, RV Diaphragm

Cover Kits

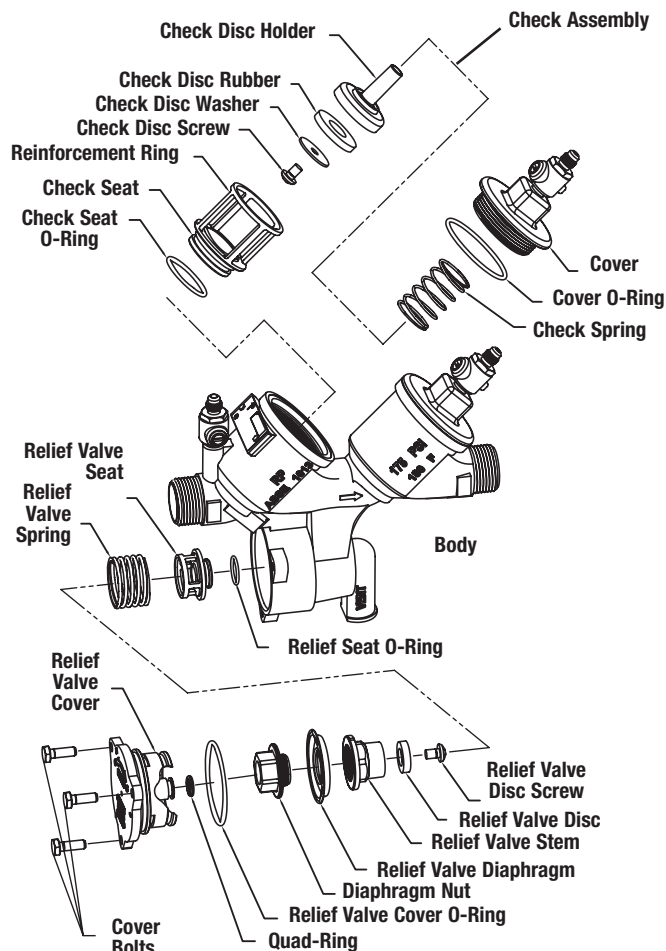
| | | | | |
|-----------|---------|--------------|-----------------|--------|
| LEAD FREE | 0425499 | LFARK 400B C | 1/4" - 1/2" | 73.25 |
| | 0425500 | LFARK 400B C | 3/4" | 123.00 |
| | 0425501 | LFARK 400B C | 1" | 123.00 |
| | 0425502 | LFARK 400B C | 1 1/4" - 1 1/2" | 165.00 |
| | 0425503 | LFARK 400B C | 2" | 186.50 |

Kit includes: Cover and Cover O-Ring

Total Relief Valve Kits

| | | | | |
|-----------|---------|-------------|-------------|--------|
| LEAD FREE | 7018516 | ARK 400B VT | 3/4" - 1" | 181.50 |
| | 7018517 | ARK 400B VT | 1 1/4" - 2" | 237.50 |

Kit includes: Relief Valve Assembly, RV Spring and RV Cover O-Ring



Note: For 1/2" and 3/4" 400B R10 models, use 1" repair kits.
For 1 1/4" 400B R15 models, use 1 1/4" - 1 1/2" repair kits.

| ORDERING CODE | KIT NO. | SIZE | LIST PRICE |
|---------------|---------|------|------------|
|---------------|---------|------|------------|

Relief Valve Rubber Parts Kits

| | | | | |
|-----------|---------|-------------|-------------|---------|
| LEAD FREE | 7018518 | ARK 400B RV | 1/4" - 1/2" | \$43.75 |
| | 7018519 | ARK 400B RV | 3/4" - 1" | 51.25 |
| | 7018520 | ARK 400B RV | 1 1/4" - 2" | 58.00 |

Kit includes: Relief Valve Disc, RV Diaphragm, RV Seat O-Ring and Cover O-Ring

Relief Valve Seat Kits

| | | | | |
|-----------|---------|-------------|-------------|-------|
| LEAD FREE | 7018522 | ARK 400B SV | 3/4" - 1" | 15.00 |
| | 7018523 | ARK 400B SV | 1 1/4" - 2" | 11.75 |

Kit includes: Relief Valve Seat, RV Seat O-Ring and RV Cover O-Ring

Relief Valve Cover Kits

| | | | | |
|-----------|---------|---------------|-------------|--------|
| LEAD FREE | 0425496 | LFARK 400B VC | 1/4" - 1/2" | 106.00 |
| | 0425497 | LFARK 400B VC | 3/4" - 1" | 102.00 |
| | 0425498 | LFARK 400B VC | 1 1/4" - 2" | 106.00 |

Kit includes: Relief Valve Cover and RV Cover O-Ring

| ORDERING CODE | KIT NO. | SIZE | LIST PRICE |
|-----------------------|-----------------|-----------------|------------|
| 1st Check Kits | | | |
| 7016635 | ARK 4000B CK1 | 1/2" | \$ 43.75 |
| 7016636 | ARK 4000BM2 CK1 | 3/4" | 36.75 |
| 7016637 | ARK 4000BM3 CK1 | 3/4" | 36.75 |
| 7016638 | ARK 4000B CK1 | 1" | 66.75 |
| 7018650 | ARK 4000BM2 CK1 | 1" | 66.75 |
| 7016639 | ARK 4000B CK1 | 1 1/4" - 1 1/2" | 127.50 |
| 7016640 | ARK 4000B CK1 | 2" | 135.50 |

Kit includes: Check Assembly and Cover O-Ring

2nd Check Kits

| | | | |
|---------|-----------------|-----------------|--------|
| 7016641 | ARK 4000B CK2 | 1/2" | 42.75 |
| 7016642 | ARK 4000BM2 CK2 | 3/4" | 30.25 |
| 7016643 | ARK 4000BM3 CK2 | 3/4" | 30.25 |
| 7016644 | ARK 4000B CK2 | 1" | 60.75 |
| 7018651 | ARK 4000BM2 CK2 | 1" | 60.75 |
| 7016645 | ARK 4000B CK2 | 1 1/4" - 1 1/2" | 118.50 |
| 7016646 | ARK 4000B CK2 | 2" | 120.50 |

Kit Includes: Check Assembly and Cover O-Ring

1st and 2nd Check Rubber Parts Kits

| | | | |
|---------|-----------------|------|-------|
| 7016647 | ARK 4000B RC3 | 1/2" | 26.00 |
| 7016648 | ARK 4000BM2 RC3 | 3/4" | 25.00 |
| 7016649 | ARK 4000BM3 RC3 | 3/4" | 25.00 |

1st Check Rubber Parts Kits

| | | | |
|---------|-----------------|-----------------|-------|
| 7016650 | ARK 4000B RC1 | 1" | 13.50 |
| 7018652 | ARK 4000BM2 RC1 | 1" | 13.50 |
| 7016652 | ARK 4000BM2 RC1 | 1 1/4" - 1 1/2" | 27.00 |
| 7016653 | ARK 4000BM2 RC1 | 2" | 28.50 |

Kit Includes: Disc, Cover O-Ring and Seat O-Ring

2nd Check Rubber Parts Kits

| | | | |
|---------|-----------------|-----------------|-------|
| 7016651 | ARK 4000B RC2 | 1" | 13.00 |
| 7018653 | ARK 4000BM2 RC2 | 1" | 13.00 |
| 7016659 | ARK 4000B RC2 | 1 1/4" - 1 1/2" | 27.00 |
| 7016660 | ARK 4000B RC2 | 2" | 28.50 |

Kit Includes: Second Check Assembly O-Ring, Disc Holder Assembly, Cover O-Ring, and Sensing Passage O-Ring

Check Retainers

| | | | |
|---------|-------------------------|-----------------|-------|
| 7016654 | ARK 4000B Retainer | 1/2" | 3.25 |
| 7016655 | ARK 4000B Retainer | 3/4" | 3.25 |
| 7016665 | ARK4000B-M2/M3 Retainer | 3/4" | 3.25 |
| 7016656 | ARK 4000B Retainer | 1" | 4.25 |
| 7016657 | ARK 4000B Retainer | 1 1/4" - 1 1/2" | 9.25 |
| 7016658 | ARK 4000B Retainer | 2" | 29.00 |

Total Relief Valve Kits

| | | | |
|---------|----------------|-----------------|--------|
| 7016363 | ARK 4000B VT | 1/2" | 102.00 |
| 7016364 | ARK 4000BM2 VT | 3/4" | 128.00 |
| 7016365 | ARK 4000BM3 VT | 3/4" | 128.00 |
| 7016366 | ARK 4000B VT | 1" | 175.00 |
| 7018654 | ARK 4000BM2 VT | 1" | 175.00 |
| 7016367 | ARK 4000B VT | 1 1/4" - 1 1/2" | 237.50 |
| 7016368 | ARK 4000B VT | 2" | 330.00 |

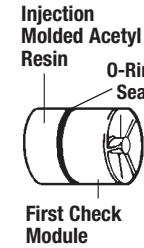
Kit Includes: Seat, Seat O-Ring, Stem & Diaphragm Assembly Stem O-Ring, Cover O-Ring and RV Spring

Relief Valve Rubber Parts Kits

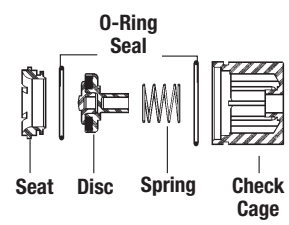
| | | | |
|---------|----------------|-----------------|-------|
| 7016369 | ARK 4000B RV | 1/2" | 43.75 |
| 7016370 | ARK 4000BM2 RV | 3/4" | 49.75 |
| 7016371 | ARK 4000BM3 RV | 3/4" | 49.75 |
| 7016372 | ARK 4000B RV | 1" | 49.75 |
| 7018655 | ARK 4000BM2 RV | 1" | 49.75 |
| 7016373 | ARK 4000B RV | 1 1/4" - 1 1/2" | 58.00 |
| 7016374 | ARK 4000B RV | 2" | 59.50 |

Kit Includes: Diaphragm, Disc Assembly, Stem O-Rings, Seat O-Ring and Cover O-Ring

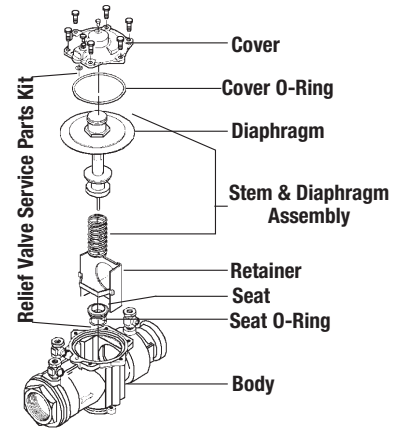
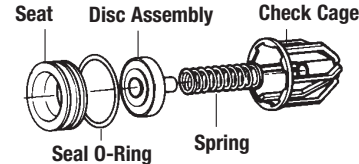
Check Assembly – 3/4"



Check Assembly 3/4" M3



Check Assembly 1" – 2"



| ORDERING CODE | KIT NO. | SIZE | LIST PRICE |
|---------------|---------|------|------------|
|---------------|---------|------|------------|

Total Rubber Parts Kits

| | | | |
|---------|----------------|-----------------|---------|
| 7016375 | ARK 4000B RT | 1/2" | \$69.50 |
| 7016376 | ARK 4000BM2 RT | 3/4" | 74.00 |
| 7016377 | ARK 4000BM3 RT | 3/4" | 77.00 |
| 7016378 | ARK 4000B RT | 1" | 74.00 |
| 7018656 | ARK 4000BM2 RT | 1" | 74.00 |
| 7016379 | ARK 4000B RT | 1 1/4" - 1 1/2" | 114.50 |
| 7016380 | ARK 4000B RT | 2" | 116.00 |

Kit Includes: Diaphragm, Two Disc, Two Disc Assemblies, Stem O-Rings, Cover O-Rings, Two Seat O-Rings and RV Seat O-Ring

Cover Kits

| | | | |
|---------|------------------|-----------------|--------|
| 7016382 | ARK 4000B M2 C | 3/4" | 70.25 |
| 7016384 | ARK 4000B C | 1" | 104.00 |
| 0425438 | LFARK 4000B C | 1/4" - 1/2" | 73.25 |
| 0425439 | LFARK 4000B M3 C | 3/4" | 81.50 |
| 0425440 | LFARK 4000B M2 C | 1" | 130.00 |
| 0425441 | LFARK 4000B C | 1 1/4" - 1 1/2" | 165.00 |
| 0425442 | LFARK 4000B C | 2" | 186.50 |

Kit Includes: Cover and Cover O-Ring

*The wetted surface of this product contacted by consumable water contains less than 0.25% of lead by weight.



Series C-400 Reduced Pressure Zone Assembly 2 1/2" – 10"
Series C-500/LFC-500 Reduced Pressure Zone Detector Assembly 2 1/2" – 10"

| ORDERING CODE | KIT NO. | SIZE | CHECK DISK MATERIAL | LIST PRICE |
|---------------|---------|------|---------------------|------------|
|---------------|---------|------|---------------------|------------|

C400, C500 1st Check Kits

| | | | | | |
|-----------|---------|---------------------|-------------|--------------|-----------|
| LEAD FREE | 7010023 | ARK C400/C500 CK1 | 2 1/2" - 4" | Red Silicone | \$ 344.50 |
| | 7010025 | ARK C400/C500 CK1 | 6" | Red Silicone | 511.50 |
| | 7010026 | ARK C400/C500 CK1 | 8" | Red Silicone | 813.50 |
| | 7010027 | ARK C400/C500 CK1 | 10" | Red Silicone | 1,104.00 |
| | 7010022 | ARK C400/C500 CK1-E | 2 1/2" - 4" | EPDM | 344.50 |
| | 7010024 | ARK C400/C500 CK1-E | 6" | EPDM | 511.50 |

Kit includes: 1st Check Assembly and Check O-Ring

C400, C500 2nd Check Kits

| | | | | | |
|-----------|---------|---------------------|-------------|--------------|--------|
| LEAD FREE | 7010029 | ARK C400/C500 CK2 | 2 1/2" - 4" | Red Silicone | 325.00 |
| | 7010031 | ARK C400/C500 CK2 | 6" | Red Silicone | 451.50 |
| | 7010032 | ARK C400/C500 CK2 | 8" | Red Silicone | 748.50 |
| | 7010033 | ARK C400/C500 CK2 | 10" | Red Silicone | 941.00 |
| | 7010028 | ARK C400/C500 CK2-E | 2 1/2" - 4" | EPDM | 325.00 |
| | 7010030 | ARK C400/C500 CK2-E | 6" | EPDM | 451.50 |

Kit Includes: 2nd Check Assembly and Check O-Ring

Check Rubber Parts Kits

| | | | | | |
|-----------|---------|---------------------|-------------|--------------|--------|
| LEAD FREE | 7010035 | ARK C400/C500 RC4 | 2 1/2" - 4" | Red Silicone | 42.50 |
| | 7010037 | ARK C400/C500 RC4 | 6" | Red Silicone | 54.25 |
| | 7010038 | ARK C400/C500 RC4 | 8" | Red Silicone | 75.75 |
| | 7010039 | ARK C400/C500 RC4 | 10" | Red Silicone | 170.00 |
| | 7010034 | ARK C400/C500 RC4-E | 2 1/2" - 4" | EPDM | 42.50 |
| | 7010036 | ARK C400/C500 RC4-E | 6" | EPDM | 54.25 |

Kit includes: Shutoff Disk (1), Check O-Ring (1), E-Clip and Lube

Total Rubber Parts Kits

| | | | | | |
|-----------|---------|--------------------|-------------|--------------|--------|
| LEAD FREE | 7010041 | ARK C400/C500 RT | 2 1/2" - 4" | Red Silicone | 289.50 |
| | 7010043 | ARK C400/C500 RT | 6" | Red Silicone | 311.00 |
| | 7010044 | ARK C400/C500 RT | 8" | Red Silicone | 354.50 |
| | 7010045 | ARK C400/C500 RT | 10" | Red Silicone | 582.00 |
| | 7010040 | ARK C400/C500 RT-E | 2 1/2" - 4" | EPDM | 289.50 |
| | 7010042 | ARK C400/C500 RT-E | 6" | EPDM | 311.00 |

Kit Includes: Shutoff Disk (2), Check O-Ring (2), E-Clip (2), RV Diaphragm, RV Piston, Sleeve O-Rings (2), RV E-Clip, RV O-Ring and Lube

Total Relief Valve Kit

| | | | | | |
|-----------|---------|--------------------|--------------|--|--------|
| LEAD FREE | 7010046 | ARK C/M 400/500 VT | 2 1/2" - 10" | | 762.50 |
|-----------|---------|--------------------|--------------|--|--------|

Kit Includes: Complete RV w/36" Hose, RV O-Ring and Lube

Relief Valve Rubber Parts Kit

| | | | | | |
|-----------|---------|--------------------|--------------|--|--------|
| LEAD FREE | 7010047 | ARK C/M 400/500 RV | 2 1/2" - 10" | | 216.00 |
|-----------|---------|--------------------|--------------|--|--------|

Kit Includes: RV Diaphragm, RV Piston, RV E-Clip, RV O-Ring and Lube

Cover Kits

| | | | | | |
|-----------|---------|-----------|-------------|--|----------|
| LEAD FREE | 7020198 | ARK C/M C | 2 1/2" - 4" | | 411.50 |
| | 7020199 | ARK C/M C | 6" | | 552.50 |
| | 7020200 | ARK C/M C | 8" | | 943.50 |
| | 7020201 | ARK C/M C | 10" | | 1,152.00 |

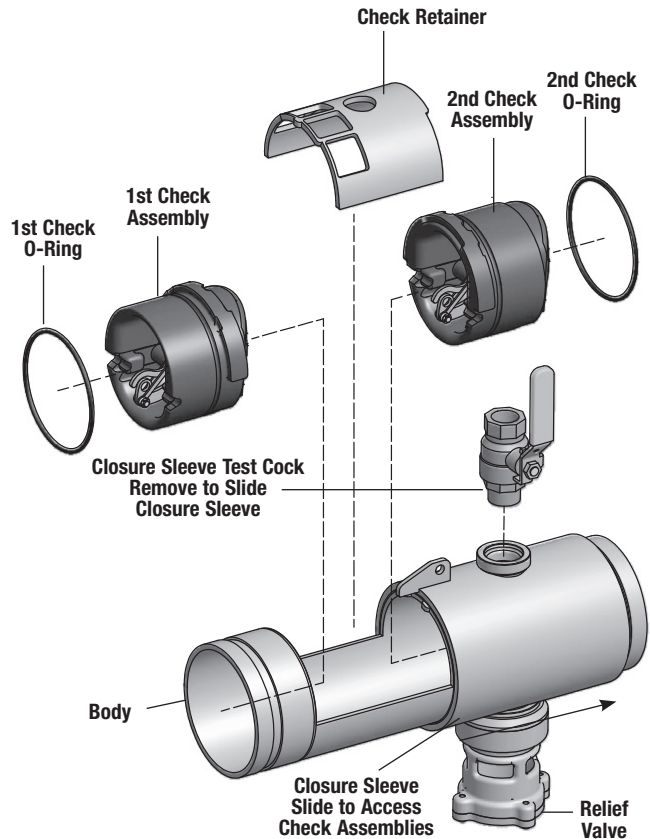
Kit Includes: Cover Sleeve, Sleeve O-Ring (2) and Lube

Test Cocks

| | | | | | |
|-----------|---------|-------------|------|---------------|--------|
| LEAD FREE | 7018152 | ARK C/M TC3 | 1/2" | (2 1/2" - 4") | 114.00 |
| | 7018153 | ARK C/M TC3 | 3/4" | (6" - 10") | 114.00 |

Sleeve Test Cock #3

2 1/2" – 10" C400/C500



| ORDERING CODE | KIT NO. | SIZE | CHECK DISK MATERIAL | LIST PRICE |
|---------------|---------|------|---------------------|------------|
|---------------|---------|------|---------------------|------------|

M400, M500 1st Check Kits

| | | | | | |
|-----------|---------|---------------------|-------------|--------------|-----------|
| LEAD FREE | 7010067 | ARK M400/M500 CK1 | 2 1/2" - 3" | Red Silicone | \$ 344.50 |
| | 7010069 | ARK M400/M500 CK1 | 4" | Red Silicone | 511.50 |
| | 7010070 | ARK M400/M500 CK1 | 6" | Red Silicone | 813.50 |
| | 7010071 | ARK M400/M500 CK1 | 8" - 10" | Red Silicone | 1,104.00 |
| | 7010066 | ARK M400/M500 CK1-E | 2 1/2" - 3" | EPDM | 344.50 |
| | 7010068 | ARK M400/M500 CK1-E | 4" | EPDM | 511.50 |

Kit includes: 1st Check Assembly, Check O-Ring and Lube

M400, M500 2nd Check Kits

| | | | | | |
|-----------|---------|---------------------|-------------|--------------|--------|
| LEAD FREE | 7010073 | ARK M400/M500 CK2 | 2 1/2" - 3" | Red Silicone | 325.00 |
| | 7010075 | ARK M400/M500 CK2 | 4" | Red Silicone | 451.50 |
| | 7010076 | ARK M400/M500 CK2 | 6" | Red Silicone | 748.50 |
| | 7010077 | ARK M400/M500 CK2 | 8" - 10" | Red Silicone | 941.00 |
| | 7010072 | ARK M400/M500 CK2-E | 2 1/2" - 3" | EPDM | 325.00 |
| | 7010074 | ARK M400/M500 CK2-E | 4" | EPDM | 451.50 |

Kit includes: 2nd Check Assembly, Check O-Ring and Lube

Check Rubber Parts Kits

| | | | | | |
|-----------|---------|---------------------|-------------|--------------|--------|
| LEAD FREE | 7010079 | ARK M400/M500 RC4 | 2 1/2" - 3" | Red Silicone | 42.50 |
| | 7010081 | ARK M400/M500 RC4 | 4" | Red Silicone | 54.25 |
| | 7010082 | ARK M400/M500 RC4 | 6" | Red Silicone | 34.50 |
| | 7010083 | ARK M400/M500 RC4 | 8" - 10" | Red Silicone | 170.00 |
| | 7010078 | ARK M400/M500 RC4-E | 2 1/2" - 3" | EPDM | 42.50 |
| | 7010080 | ARK M400/M500 RC4-E | 4" | EPDM | 54.25 |

Kit includes: Shutoff Disk (1), Check O-Ring (1), E-Clip and Lube

Total Rubber Parts Kits

| | | | | | |
|-----------|---------|--------------------|-------------|--------------|--------|
| LEAD FREE | 7010085 | ARK M400/M500 RT | 2 1/2" - 3" | Red Silicone | 289.50 |
| | 7010087 | ARK M400/M500 RT | 4" | Red Silicone | 311.00 |
| | 7010088 | ARK M400/M500 RT | 6" | Red Silicone | 354.50 |
| | 7010089 | ARK M400/M500 RT | 8" - 10" | Red Silicone | 582.00 |
| | 7010084 | ARK M400/M500 RT-E | 2 1/2" - 3" | EPDM | 289.50 |
| | 7010086 | ARK M400/M500 RT-E | 4" | EPDM | 311.00 |

Kit Includes: Shutoff Disk (2), Check O-Ring (2), Sleeve O-Ring (2), E-Clip (2), RV Diaphragm, RV Piston, RV E-Clip, RV O-Ring and Lube

Total Relief Valve Kit

| | | | | | |
|-----------|---------|--------------------|--------------|--|--------|
| LEAD FREE | 7010046 | ARK C/M 400/500 VT | 2 1/2" - 10" | | 762.50 |
|-----------|---------|--------------------|--------------|--|--------|

Kit Includes: Complete RV w/36" Hose, RV O-Ring and Lube

Relief Valve Rubber Parts Kit

| | | | | | |
|-----------|---------|--------------------|--------------|--|--------|
| LEAD FREE | 7010047 | ARK C/M 400/500 RV | 2 1/2" - 10" | | 216.00 |
|-----------|---------|--------------------|--------------|--|--------|

Kit Includes: RV Diaphragm, RV Piston, RV E-Clip, RV O-Ring and Lube

Cover Kits

| | | | | | |
|-----------|---------|-----------|-------------|--|----------|
| LEAD FREE | 7020198 | ARK C/M C | 2 1/2" - 4" | | 411.50 |
| | 7020199 | ARK C/M C | 6" | | 552.50 |
| | 7020200 | ARK C/M C | 8" | | 943.50 |
| | 7020201 | ARK C/M C | 10" | | 1,152.00 |

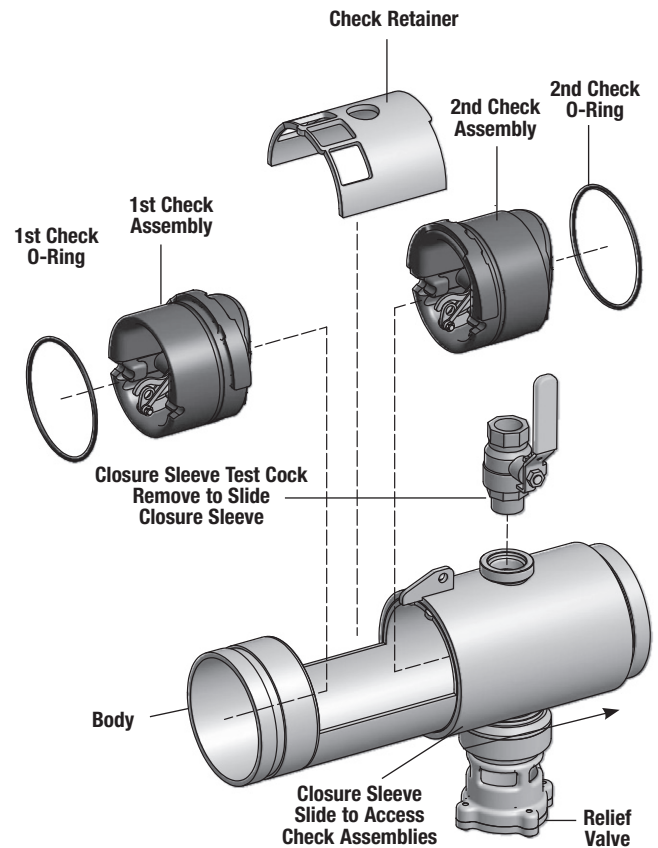
Kit includes: Closure Sleeve, Sleeve O-Ring (2) and Lube

Test Cocks

| | | | | | |
|-----------|---------|-------------|------|---------------|--------|
| LEAD FREE | 7018152 | ARK C/M TC3 | 1/2" | (2 1/2" - 3") | 114.00 |
| | 7018153 | ARK C/M TC3 | 3/4" | (4" - 10") | 114.00 |

Sleeve Test Cock #3

2½" – 10" M400/M500



Repair Parts

Series C-400/C/M-400 Reduced Pressure Zone Assembly 2½" – 10" Series C-500/C/M/LFC/LFM-500 Reduced Pressure Detector Assembly 2½" – 10"

Relief Valve Kits

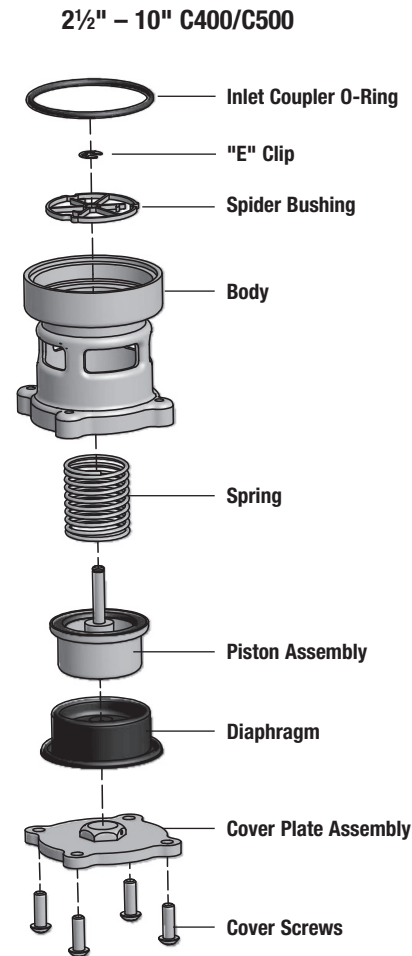
When ordering specify Ordering Code, Kit No., and Valve Size.

| | ORDERING CODE | KIT NO. | SIZE | LIST PRICE |
|-------------------------------|---------------|--------------------|--------------|------------|
| Total Relief Valve Kit | | | | |
| LEAD FREE | 7010046 | ARK C/M 400/500 VT | 2 1/2" - 10" | \$ 762.50 |

Kit Includes: Complete RV w/36" Hose, RV O-Ring and Lube

| | ORDERING CODE | KIT NO. | SIZE | LIST PRICE |
|-----------|---------------|--------------------|--------------|------------|
| LEAD FREE | 7010047 | ARK C/M 400/500 RV | 2 1/2" - 10" | 216.00 |

Kit Includes: RV Diaphragm, RV Piston, RV E-Clip, RV O-Ring and Lube



Repair Parts

Series C/M-400, C/M-500, LFC/LFM-500 Relief Valve Sensing Lines

Colt

| DESCRIPTION | USE FOR | ORDERING CODE | LIST PRICE |
|----------------|--|---------------|------------|
| Hose 1/2 x 20" | 2 1/2 – 4 C400, C500/LFC500 | 7018890 | \$9.25 |
| Hose 1/2 x 24" | 2 1/2 & 3 C400 N & Z | 7018891 | 10.25 |
| | 2 1/2 & 3 C500 N & Z | | |
| Hose 1/2 x 30" | 6 C400, 4 C400N, 2 1/2, 3, 4 C400Z, 6, 8 C500/LFC500 4, 6, 8 C500/LFC500 N & Z, 2 1/2, 3, 4 C500BFG/LFC500BFG, 2 1/2, 3, 4, 6 C500BFG/LFC500BFG N & Z | 7018892 | 11.50 |
| Hose 1/2 x 36" | 8 & 10 C400, 6, 8, 10 C400 N & Z, 10 C500/LFC500 N & Z, 6 & 8 C500BFG/LFC500BFG N & Z | 7018893 | 14.00 |

Maxim

| DESCRIPTION | USE FOR | ORDERING CODE | LIST PRICE |
|----------------|---|---------------|------------|
| Hose 1/2 x 20" | 2 1/2 & 3 M400, M500/LFM500 | 7018890 | \$9.25 |
| Hose 1/2 x 24" | 2 1/2 & 3 M400 N & Z | 7018891 | 10.25 |
| Hose 1/2 x 30" | 6 M400, 2.5, 3, 4 M500/LFM500, 2 1/2, 3, 4 M400 N & Z, 2 1/2, 3, 4 M500/LFM500 N & Z, 2 1/2 & 3 M500/LFM500 N & Z BFG | 7018892 | 11.50 |
| Hose 1/2 x 36" | 8 & 10 M400, 6, 8, 10 M400 N & Z, 4 & 6 M400BFG N & Z, 6, 8, 10 M500/LFM500, 6, 8, 10 M500/LFM500 N & Z 4 & 6 M500/LFM500BFG N & Z | 7018893 | 14.00 |



*The wetted surface of this product contacted by consumable water contains less than 0.25% of lead by weight.

Repair Parts

Series 4000SS Reduced Pressure Zone Assembly 2½" – 10" Series 5000SS Reduced Pressure Detector Assembly 2½" – 10"

| ORDERING CODE | KIT NO. | SIZE | LIST PRICE |
|---------------|---------|------|------------|
|---------------|---------|------|------------|

4000SS, 5000SS 1st Check Kits

| | | | | |
|-----------|---------|-----------------------|-------------|-----------|
| LEAD FREE | 7010107 | ARK 4000SS/5000SS CK1 | 2 1/2" - 4" | \$ 342.50 |
| | 7010108 | ARK 4000SS/5000SS CK1 | 6" | 367.50 |
| | 7010109 | ARK 4000SS/5000SS CK1 | 8" - 10" | 1,558.00 |

Kit includes: 1st Check, Check O-Ring, Retaining Nuts (4) and Lube

4000SS, 5000SS 2nd Check Kits

| | | | | |
|-----------|---------|-----------------------|-------------|--------|
| LEAD FREE | 7010110 | ARK 4000SS/5000SS CK2 | 2 1/2" - 4" | 309.50 |
| | 7010111 | ARK 4000SS/5000SS CK2 | 6" | 330.00 |
| | 7010112 | ARK 4000SS/5000SS CK2 | 8" - 10" | 950.00 |

Kit includes: 2nd Check, Check O-Ring, Retaining Bolts (4) and Lube

Relief Valve Kit

| | | | | |
|-----------|---------|----------------------|--------------|----------|
| LEAD FREE | 7010114 | ARK 4000SS/5000SS VT | 2 1/2" - 10" | 1,191.00 |
|-----------|---------|----------------------|--------------|----------|

Kit Includes: Complete RV, RV O-Ring and Lube

Relief Valve Rubber Parts Kit

| | | | | |
|-----------|---------|----------------------|--------------|--------|
| LEAD FREE | 7010113 | ARK 4000SS/5000SS RV | 2 1/2" - 10" | 189.50 |
|-----------|---------|----------------------|--------------|--------|

Kit Includes: RV Diaphragm, Piston, RV Disc, RV Disc O-Ring and Lube

Cover Kits

| | | | | |
|-----------|---------|-------------|-------------|--------|
| LEAD FREE | 7010090 | ARK SS C | 2 1/2" - 4" | 297.00 |
| | 7010091 | ARK SS C | 6" | 421.00 |
| | 7010093 | ARK SE/SS C | 8" - 12" | 647.50 |

Kit includes: Grooved Couple, and Gasket

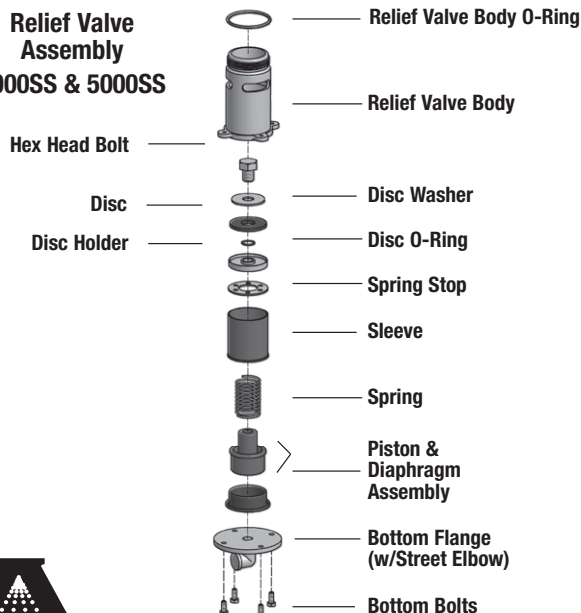
4000BLT, 6000HMB Kits

| | | | | |
|-----------|---------|--------------------------|-------------|----------|
| LEAD FREE | 7010115 | ARK HMB/BLT CK1 | 2 1/2" - 3" | 342.50 |
| | 7010116 | ARK HMB/BLT CK2 | 2 1/2" - 3" | 424.50 |
| | 7010117 | ARK HMB/BLT VT | 2 1/2" - 3" | 1,369.00 |
| | 7010090 | ARK SS C | 2 1/2" - 4" | 297.00 |
| | 7017555 | SUPPORT ROD, REPLACEMENT | | 378.00 |

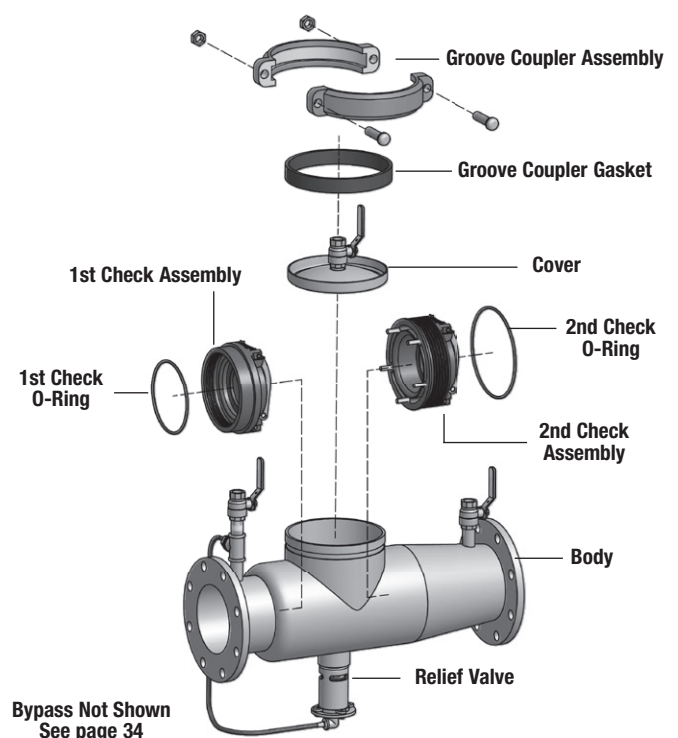
RV Sensing Hoses

| | | | | |
|-----------|---------|-----------------------|-------------|--------|
| LEAD FREE | 7013343 | ARK 4000SS/5000SS RVH | 2 1/2" - 6" | 184.00 |
| | 7013522 | ARK 4000SS/5000SS RVH | 8" - 10" | 200.50 |

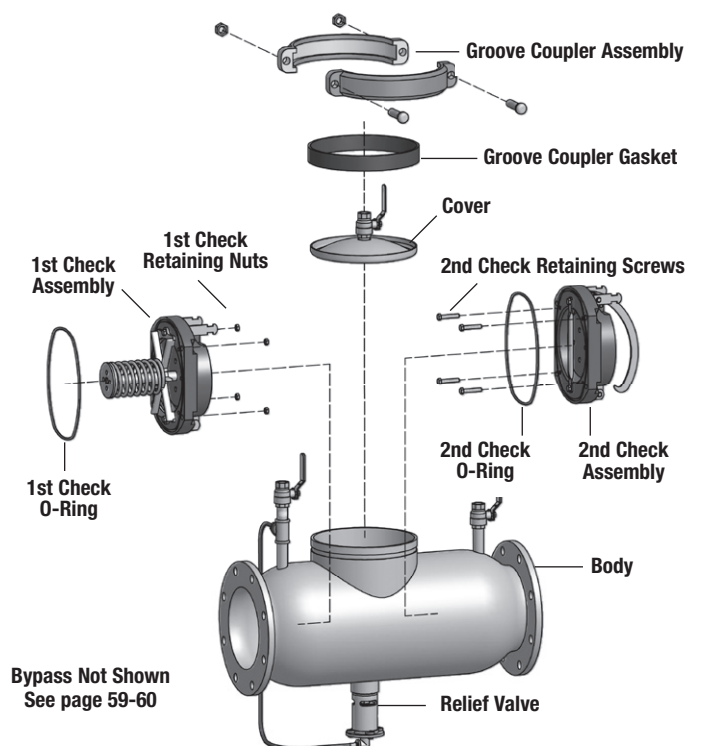
Relief Valve Assembly 4000SS & 5000SS



2½" – 6" 4000SS/5000SS

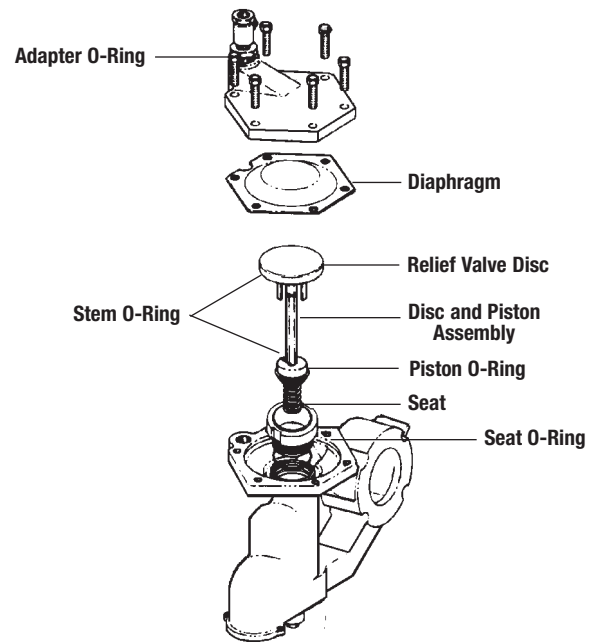
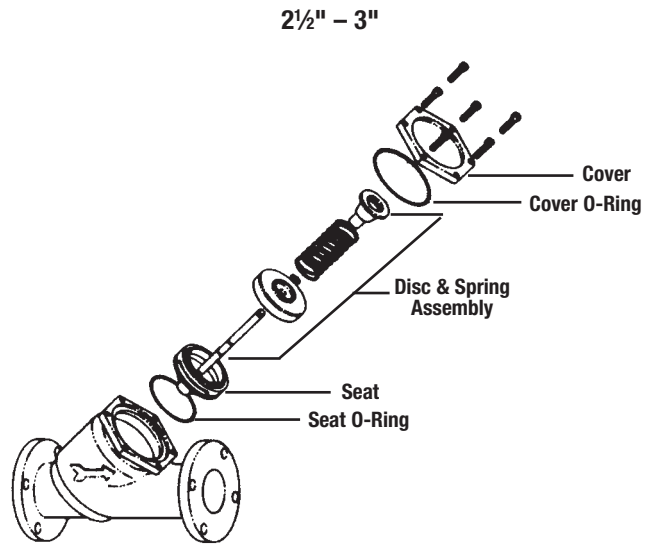


8" – 10" 4000SS/5000SS



| ORDERING CODE | KIT NO. | SIZE | LIST PRICE |
|--------------------------------------|------------------|-------------|------------|
| 1st Check Rubber Parts Kit | | | |
| 7016216 | ARK 4000CIV RC1 | 2 1/2" - 3" | 79.50 |
| Relief Valve Rubber Parts Kit | | | |
| 0425444 | LFARK 4000CIV RV | 2 1/2" - 3" | 240.00 |

LEAD FREE Kit includes: Diaphragm, Disc, Molded Disc Assembly, Piston O-Rings, Stem O-Ring and Cover O-Ring.



| ORDERING CODE | KIT NO. | SIZE | LIST PRICE |
|---------------|---------|------|------------|
|---------------|---------|------|------------|

1st Check Kits

| | | | | |
|-----------|---------|---------------------|----|-----------|
| LEAD FREE | 0425457 | LFLFARK 4000CIV CK1 | 4" | \$ 965.00 |
| | 0425458 | LFLFARK 4000CIV CK1 | 6" | 1,729.00 |

2nd Check Kits

| | | | | |
|-----------|---------|-------------------|----|----------|
| LEAD FREE | 0425462 | LFARK 4000CIV CK2 | 6" | 1,578.00 |
| | 0425463 | LFARK 4000CIV CK2 | 8" | 2,882.00 |

Kit includes: Disc & Spring Assembly, Cover O-Ring and Lubricant

Kit includes: Seat, Seat O-Ring, Cover O-Ring, Retainer Wire and Lubricant

First Check Rubber Parts Kits

| | | | | |
|-----------|---------|-----------------|----|--------|
| LEAD FREE | 7016217 | ARK 4000CIV RC1 | 4" | 105.50 |
| | 7016218 | ARK 4000CIV RC1 | 6" | 119.50 |
| | 7016219 | ARK 4000CIV RC1 | 8" | 144.50 |

Kit includes: Lower Stem O-Ring (6" only), Check Disc, Cover O-Ring and Lubricant

Second Check Rubber Parts Kits

| | | | | |
|-----------|---------|-----------------|----|--------|
| LEAD FREE | 7016223 | ARK 4000CIV RC2 | 6" | 119.50 |
| | 7016224 | ARK 4000CIV RC2 | 8" | 144.50 |

Kit includes: Lower Stem O-Ring (6" only), Check Disc, Cover O-Ring and Lubricant

Relief Valve Rubber Parts Kits

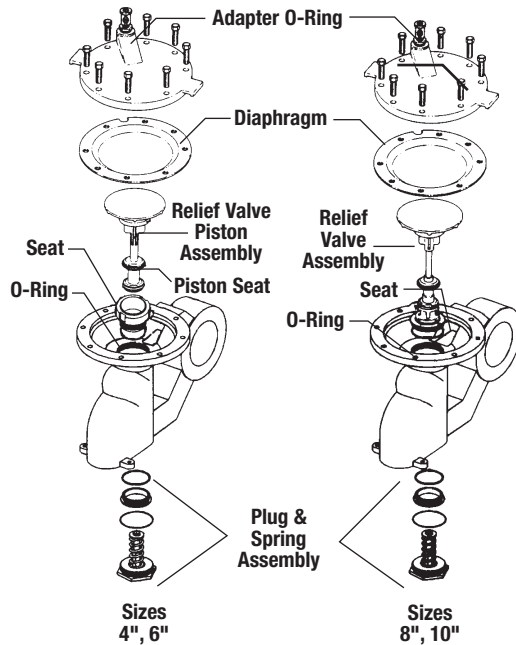
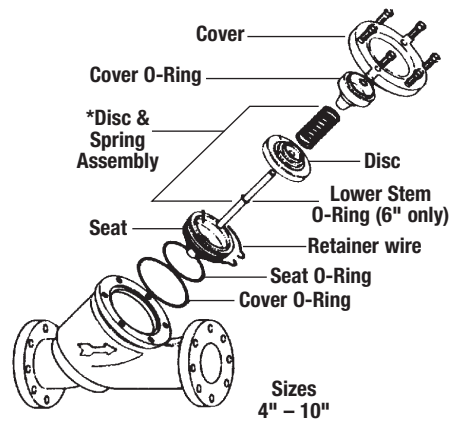
| | | | | |
|-----------|---------|------------------|----------|--------|
| LEAD FREE | 7016268 | ARK 4000CIV RV | 4" - 10" | 338.00 |
| | 0425450 | LFARK 4000CIV RV | 8" - 10" | 398.00 |

Kit includes: Sleeve O-Ring, Seat O-Ring, Piston O-Ring, Stem O-Ring, RV Disc Assembly, Diaphragm, Piston Seal, Bottom Plug O-Ring and Lubricant

Relief Valve Total Kit

| | | | | |
|-----------|---------|------------------|---------|----------|
| LEAD FREE | 0425451 | LFARK 4000CIV VT | 4" - 6" | 1,041.00 |
|-----------|---------|------------------|---------|----------|

Kit includes: Adapter O-Ring, Diaphragm, Disc & Piston Assembly Seat, Seat O-Ring and Lubricant



| ORDERING CODE | KIT NO. | SIZE | LIST PRICE |
|-----------------------|------------------|-------------|------------|
| 1st Check Kits | | | |
| 0425481 | LFARK5000CIV-CK1 | 2 1/2" - 3" | \$ 706.50 |
| 0425482 | LFARK5000CIV-CK1 | 4" | 998.50 |
| 0425483 | LFARK5000CIV-CK1 | 6" | 1,801.00 |
| 0425484 | LFARK5000CIV-CK1 | 8" | 3,252.00 |
| 0425485 | LFARK5000CIV-CK1 | 10" | 4,827.00 |

| | | | |
|-----------------------|------------------|-------------|----------|
| 2nd Check Kits | | | |
| 0425486 | LFARK5000CIV-CK2 | 2 1/2" - 3" | 573.50 |
| 0425487 | LFARK5000CIV-CK2 | 4" | 915.00 |
| 0425488 | LFARK5000CIV-CK2 | 6" | 1,578.00 |
| 0425489 | LFARK5000CIV-CK2 | 8" | 2,882.00 |
| 0425490 | LFARK5000CIV-CK2 | 10" | 3,879.00 |

Kit includes: Disc & Spring Assembly, Cover O-Ring and Lubricant

| | | | |
|------------------|-----------------|-------------|----------|
| Seat Kits | | | |
| 0425491 | LFARK 5000CIV-S | 2 1/2" - 3" | 227.50 |
| 0425492 | LFARK 5000CIV-S | 4" | 332.00 |
| 0425493 | LFARK 5000CIV-S | 6" | 568.00 |
| 0425494 | LFARK 5000CIV-S | 8" | 1,353.00 |
| 0425495 | LFARK 5000CIV-S | 10" | 1,581.00 |

Kit includes: Seat, Seat O-Ring, Cover O-Ring, Retainer Wire and Lubricant O-Ring

| | | | |
|------------------------------------|-----------------|-------------|--------|
| 1st Check Rubber Parts Kits | | | |
| 7016246 | ARK 5000CIV RC1 | 2 1/2" - 3" | 79.50 |
| 7016247 | ARK 5000CIV RC1 | 4" | 105.50 |
| 7016248 | ARK 5000CIV RC1 | 6" | 119.50 |
| 7016249 | ARK 5000CIV RC1 | 8" | 144.50 |
| 7016250 | ARK 5000CIV RC1 | 10" | 195.00 |

| | | | |
|------------------------------------|-----------------|-------------|--------|
| 2nd Check Rubber Parts Kits | | | |
| 7016251 | ARK 5000CIV RC2 | 2 1/2" - 3" | 79.50 |
| 7016252 | ARK 5000CIV RC2 | 4" | 105.50 |
| 7016253 | ARK 5000CIV RC2 | 6" | 119.50 |
| 7016254 | ARK 5000CIV RC2 | 8" | 144.50 |
| 7016255 | ARK 5000CIV RC2 | 10" | 195.00 |

Kit includes: Lower Stem O-Ring (6" only), Check Disc, Cover O-Ring and Lubricant

| ORDERING CODE | KIT NO. | SIZE | LIST PRICE |
|--------------------------------|------------------|-------------|------------|
| Total Rubber Parts Kits | | | |
| 0425476 | LFARK 5000CIV-RT | 2 1/2" - 3" | \$ 425.50 |
| 0425477 | LFARK 5000CIV-RT | 4" | 562.50 |
| 0425478 | LFARK 5000CIV-RT | 6" | 590.50 |
| 0425479 | LFARK 5000CIV-RT | 8" | 648.00 |
| 0425480 | LFARK 5000CIV-RT | 10" | 770.00 |

Kit includes: Lower Stem O-Ring (6" only), Check Disc, Cover O-Ring, Sleeve O-Ring, Piston O-Ring, RV Disc Assembly, Diaphragm, Piston Seat and Lubricant

| | | | |
|---------------------------------------|------------------|-------------|--------|
| Relief Valve Rubber Parts Kits | | | |
| 0425469 | LFARK 5000CIV RV | 2 1/2" - 3" | 240.00 |
| 0425472 | LFARK 5000CIV RV | 4" - 10" | 317.00 |

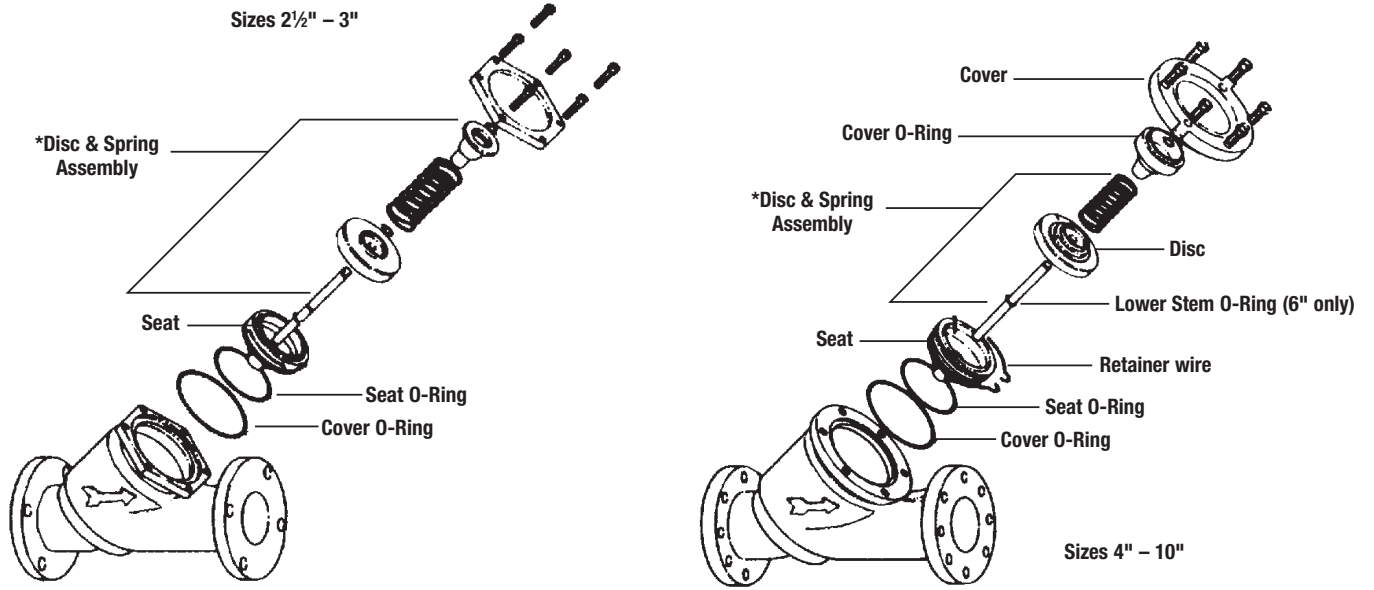
Kit includes: Sleeve O-Ring, Seat O-Ring, Piston O-Ring, Stem O-Ring, RV Disc Assembly, Diaphragm, Piston Seal, Bottom plug O-Ring and Lubricant

| | | | |
|--------------------------------|------------------|-------------|--------|
| Total Relief Valve Kits | | | |
| 0425473 | LFARK 5000CIV VT | 2 1/2" - 3" | 532.50 |
| 7016284 | ARK 5000CIV VT | 4" - 10" | 736.50 |

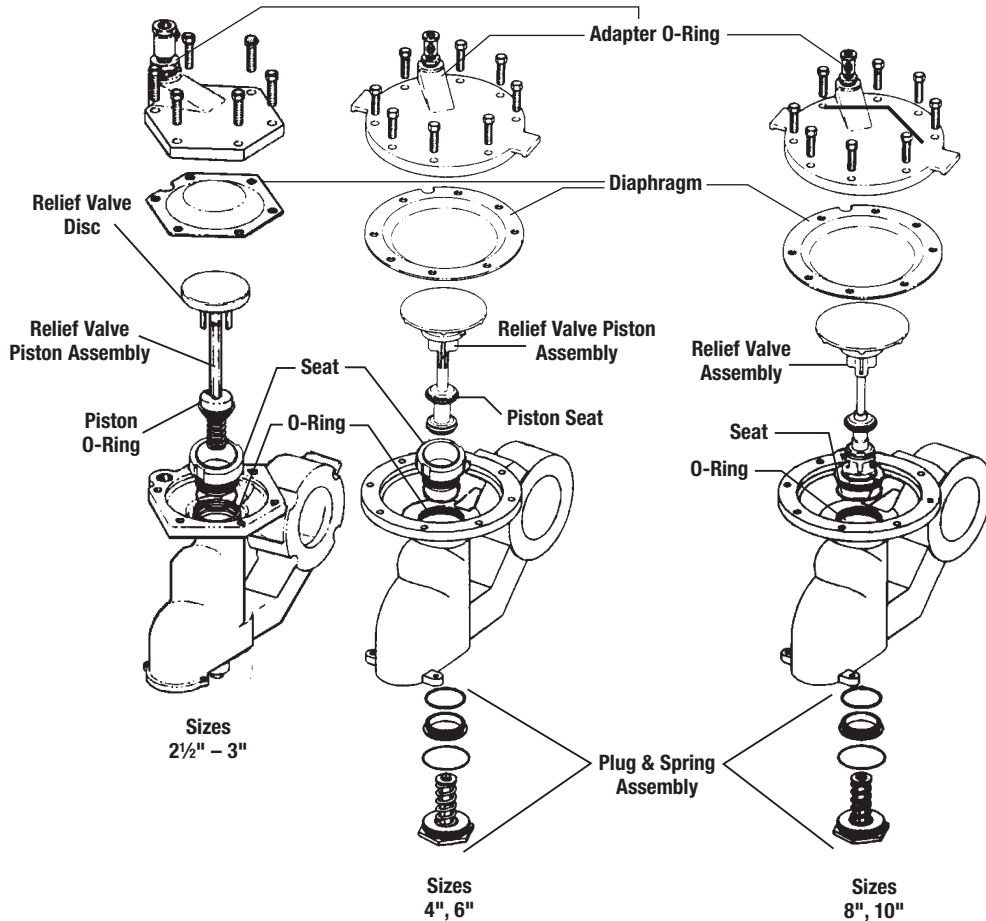
Kit includes: Adapter O-Ring, Diaphragm, Disc & Piston Assembly Seat, Seat O-Ring and Lubricant

| | | | |
|-------------------|---------------|-------------|----------|
| Cover Kits | | | |
| 7016287 | ARK 5000CIV C | 2 1/2" - 3" | 268.00 |
| 7016288 | ARK 5000CIV C | 4" | 300.50 |
| 7016289 | ARK 5000CIV C | 6" | 418.50 |
| 7016290 | ARK 5000CIV C | 8" | 683.50 |
| 7016291 | ARK 5000CIV C | 10" | 1,528.00 |

Kit includes: Cover, Cover O-Ring and Lubricant



Bypass Not Shown See page 34



| ORDERING CODE | KIT NO. | SIZE | LIST PRICE |
|---------------|---------|------|------------|
|---------------|---------|------|------------|

4000RP 1st Check Kits

| | | | | |
|-----------|---------|----------------|----------|-----------|
| LEAD FREE | 7010161 | ARK 4000RP CK1 | 4" | \$ 554.50 |
| | 7010162 | ARK 4000RP CK1 | 6" | 801.00 |
| | 7010163 | ARK 4000RP CK1 | 8" - 10" | 1,812.00 |

Kit includes: 1st Check Assembly, Cover Gasket and Mounting Hardware

4000RP 2nd Check Kits

| | | | | |
|-----------|---------|----------------|----------|--------|
| LEAD FREE | 7010164 | ARK 4000RP CK2 | 4" | 491.50 |
| | 7010165 | ARK 4000RP CK2 | 6" | 515.50 |
| | 7010166 | ARK 4000RP CK2 | 8" - 10" | 809.50 |

Kit includes: 2nd Check Assembly, Cover Gasket and Mounting Hardware

Total RV Kit

| | | | | |
|-----------|---------|------------------------|----------|----------|
| LEAD FREE | 7010173 | ARK 4000RP/5000RPDA VT | 4" - 10" | 2,517.00 |
|-----------|---------|------------------------|----------|----------|

Kit includes: Complete Relief Assembly, RV Mounting Seat Gasket

Rubber RV Kit

| | | | | |
|-----------|---------|------------------------|----------|--------|
| LEAD FREE | 7010174 | ARK 4000RP/5000RPDA RV | 4" - 10" | 237.00 |
|-----------|---------|------------------------|----------|--------|

Kit includes: O-ring, Diaphragm, RV Mounting Seat Gasket

| ORDERING CODE | KIT NO. | SIZE | LIST PRICE |
|---------------|---------|------|------------|
|---------------|---------|------|------------|

Cover Kits

| | | | | |
|-----------|---------|-------------|----------|-----------|
| LEAD FREE | 7010142 | ARK EPOXY C | 4" | \$ 375.50 |
| | 7010143 | ARK EPOXY C | 6" | 552.50 |
| | 7010144 | ARK EPOXY C | 8" - 10" | 786.50 |

Kit includes: Cover, Cover Gasket and Vent Screw

Seat Kits

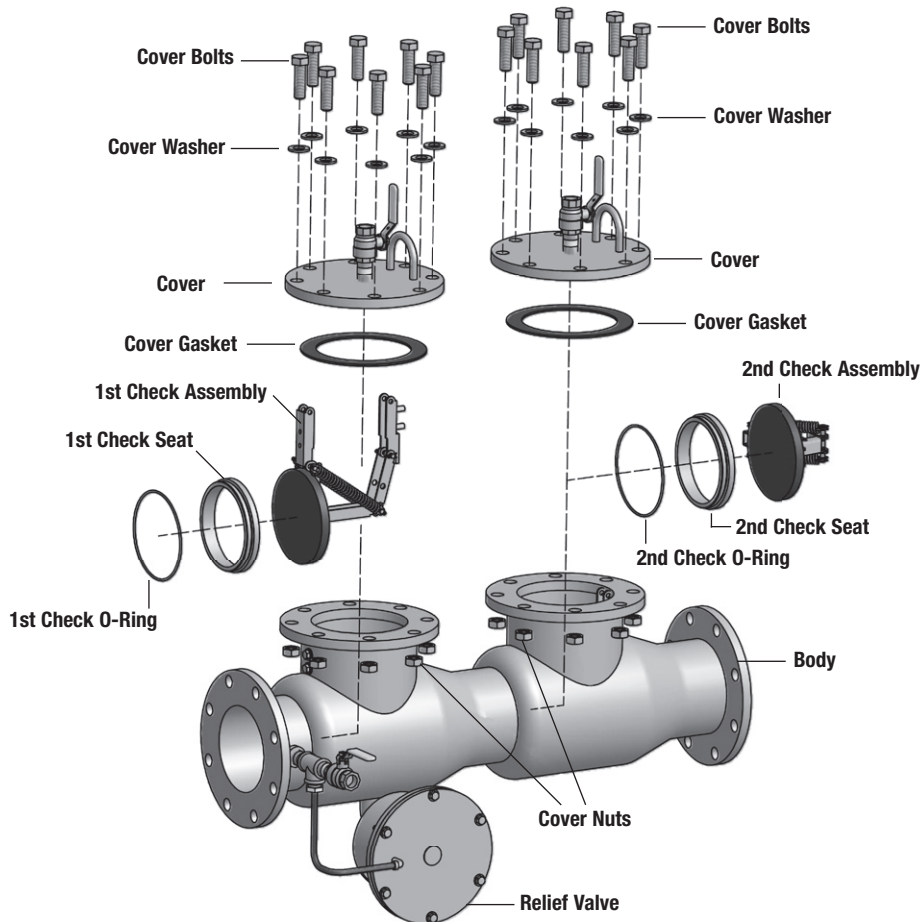
| | | | |
|---------|-------------|----------|--------|
| 7010145 | ARK EPOXY S | 4" | 184.00 |
| 7010146 | ARK EPOXY S | 6" | 276.00 |
| 7010147 | ARK EPOXY S | 8" - 10" | 400.50 |

Kit includes: Seat, Seat O-Ring and Cover Gasket

Tools

| | | | |
|---------|---------------------------|----------|----------|
| 7013911 | RETAINER CLIP | 4" | 88.25 |
| 7013912 | RETAINER CLIP | 6" | 144.50 |
| 7013913 | RETAINER CLIP | 8" - 10" | 112.00 |
| 7013941 | SEAT INSTALL-REMOVAL TOOL | 4" | 1,075.00 |
| 7013946 | SEAT INSTALL-REMOVAL TOOL | 6" | 1,308.00 |
| 7013950 | SEAT INSTALL-REMOVAL TOOL | 8" - 10" | 1,292.00 |
| 7016090 | TONG TOOL | | 211.00 |

4" – 10" 4000RP Epoxy



| ORDERING CODE | KIT NO. | SIZE | LIST PRICE |
|---------------|---------|------|------------|
|---------------|---------|------|------------|

5000RPDA 1st Check Kits

| | | | | |
|-----------|---------|------------------|----------|-----------|
| LEAD FREE | 7010167 | ARK 5000RPDA CK1 | 4" | \$ 726.50 |
| | 7010168 | ARK 5000RPDA CK1 | 6" | 801.50 |
| | 7010169 | ARK 5000RPDA CK1 | 8" - 10" | 1,812.00 |

Kit includes: 1st Check Assembly, Cover Gasket and Mounting Hardware

5000RPDA 2nd Check Kits

| | | | | |
|-----------|---------|------------------|----------|----------|
| LEAD FREE | 7010170 | ARK 5000RPDA CK2 | 4" | 491.50 |
| | 7010171 | ARK 5000RPDA CK2 | 6" | 584.00 |
| | 7010172 | ARK 5000RPDA CK2 | 8" - 10" | 1,069.00 |

Kit includes: 2nd Check Assembly, Cover Gasket and Mounting Hardware

Total Relief Valve Kit

| | | | | |
|-----------|---------|------------------------|----------|----------|
| LEAD FREE | 7010173 | ARK 4000RP/5000RPDA VT | 4" - 10" | 2,517.00 |
|-----------|---------|------------------------|----------|----------|

Kit includes: Complete Relief Assembly, Mounting Seat Gasket

Relief Valve Rubber Kit

| | | | | |
|-----------|---------|------------------------|----------|--------|
| LEAD FREE | 7010174 | ARK 4000RP/5000RPDA RV | 4" - 10" | 237.00 |
|-----------|---------|------------------------|----------|--------|

Kit includes: O-ring, Diaphragm, Mounting Seat Gasket

| ORDERING CODE | KIT NO. | SIZE | LIST PRICE |
|---------------|---------|------|------------|
|---------------|---------|------|------------|

Cover Kits

| | | | | |
|-----------|---------|-------------|----------|-----------|
| LEAD FREE | 7010142 | ARK EPOXY C | 4" | \$ 375.50 |
| | 7010143 | ARK EPOXY C | 6" | 552.50 |
| | 7010144 | ARK EPOXY C | 8" - 10" | 786.50 |

Kit includes: Cover, Cover Gasket, Cover Bolts, Test Cock and Vent Screw

Seat Kits

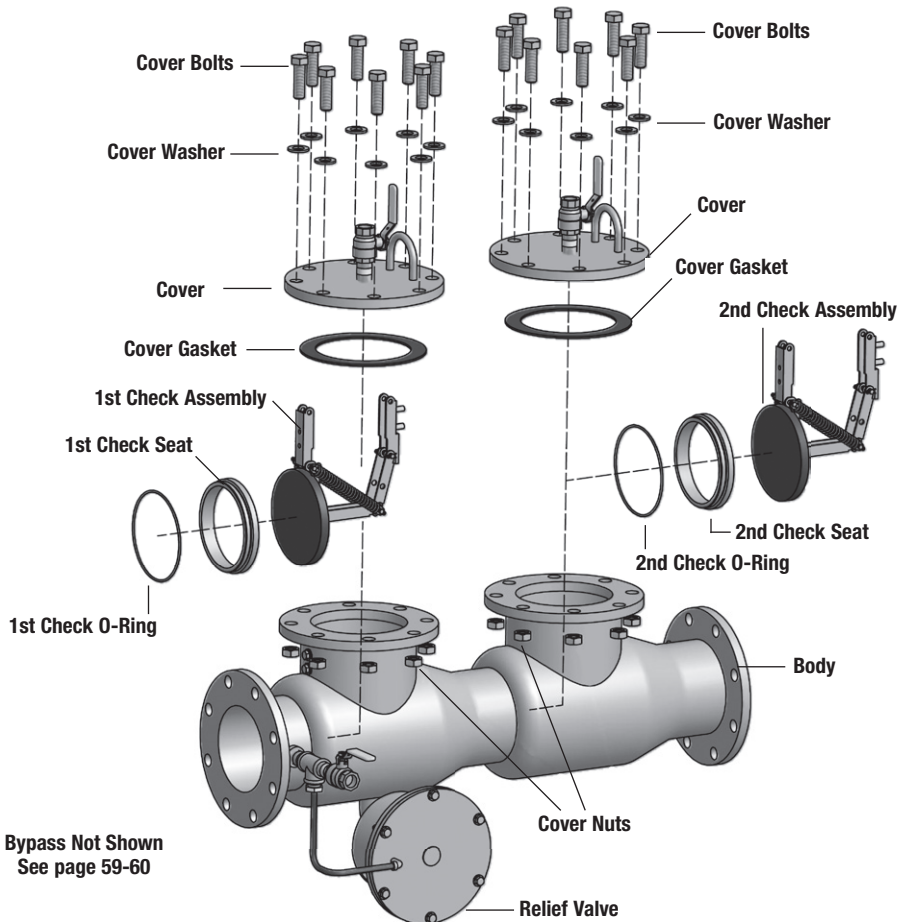
| | | | |
|---------|-------------|----------|--------|
| 7010145 | ARK EPOXY S | 4" | 184.00 |
| 7010146 | ARK EPOXY S | 6" | 276.00 |
| 7010147 | ARK EPOXY S | 8" - 10" | 400.50 |

Kit includes: Seat, Seat O-Ring and Cover Gasket

Tools

| | | | |
|---------|---------------------------|----------|----------|
| 7013911 | RETAINER CLIP | 4" | 88.25 |
| 7013912 | RETAINER CLIP | 6" | 144.50 |
| 7013913 | RETAINER CLIP | 8" - 10" | 112.00 |
| 7013941 | SEAT INSTALL-REMOVAL TOOL | 4" | 1,075.00 |
| 7013946 | SEAT INSTALL-REMOVAL TOOL | 6" | 1,308.00 |
| 7013950 | SEAT INSTALL-REMOVAL TOOL | 8" - 10" | 1,292.00 |
| 7016090 | TONG TOOL | | 211.00 |

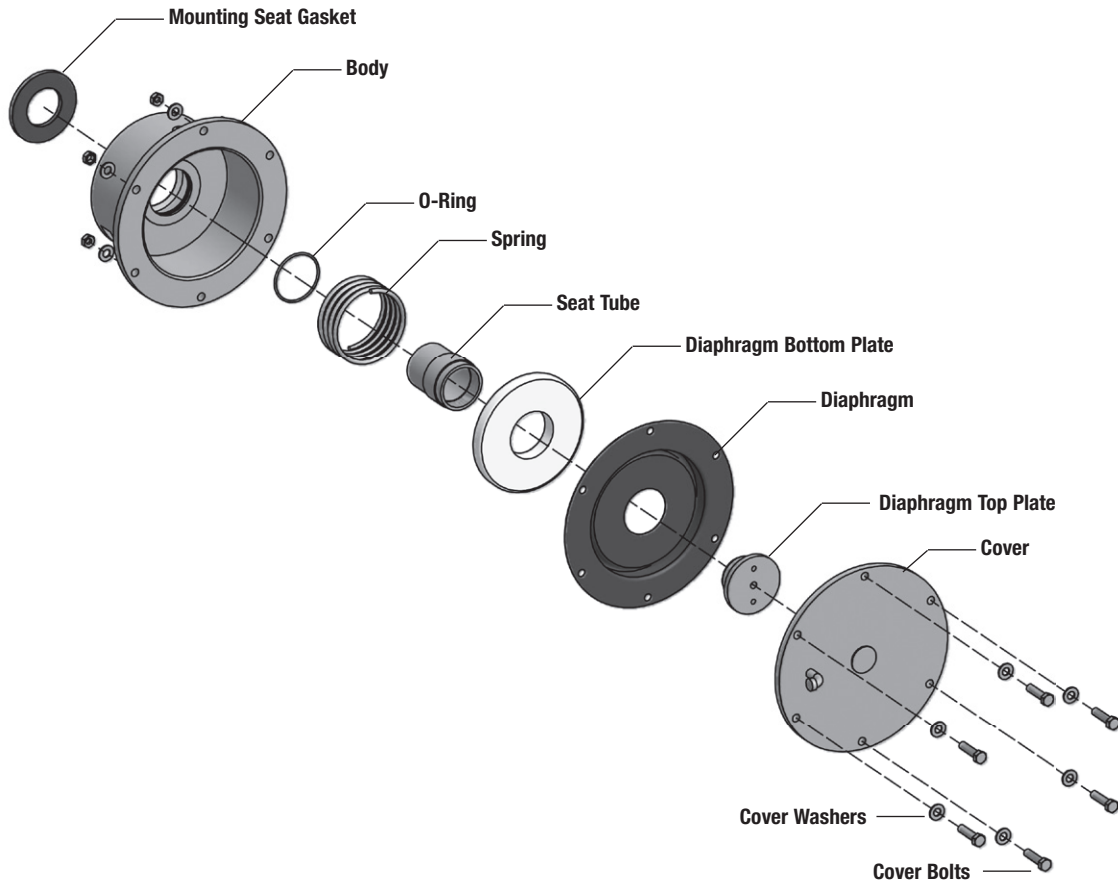
4" – 10" 5000 RPDA Epoxy



Bypass Not Shown
See page 59-60

| ORDERING CODE | KIT NO. | SIZE | LIST PRICE |
|--|------------------------|----------|-------------|
| Total Relief Valve Kit | | | |
| LEAD FREE 7010173 | ARK 4000RP/5000RPDA VT | 4" - 10" | \$ 2,517.00 |
| Kit includes: Complete Relief Assembly, Mounting Seat Gasket | | | |
| Rubber Relief Valve Kit | | | |
| LEAD FREE 7010174 | ARK 4000RP/5000RPDA RV | 4" - 10" | 237.00 |
| Kit includes: O-ring, Diaphragm, Mounting Seat Gasket | | | |

4" – 10" 4000/5000 Relief Valve
 (Note: Mounting Bolts not shown)



| ORDERING CODE | KIT NO. | SIZE | LIST PRICE |
|---------------|---------|------|------------|
|---------------|---------|------|------------|

Bonnet Assembly Kits

| | | | | |
|-----------|---------|------------|-------------|----------|
| LEAD FREE | 7017531 | ARK A200 B | 1/2" - 3/4" | \$ 39.75 |
| | 7017532 | ARK A200 B | 1" | 40.25 |
| | 7017533 | ARK A200 B | 1 1/2" – 2" | 87.00 |

Kit includes: Bonnet, Bonnet O-Ring, Vent Spring, Hood and Hood Screws

Check Kits

| | | | | |
|-----------|---------|-------------|-------------|-------|
| LEAD FREE | 7017534 | ARK A200 CK | 1/2" - 3/4" | 27.00 |
| | 7017535 | ARK A200 CK | 1" | 27.00 |
| | 7017536 | ARK A200 CK | 1 1/2" – 2" | 47.50 |

Kit includes: Check Disc Assembly (Disc and Disc Holder), Bonnet O-Ring and Check Spring

Rubber Parts Kits

| | | | | |
|-----------|---------|-------------|-------------|-------|
| LEAD FREE | 7017537 | ARK A200 RT | 1/2" - 3/4" | 18.00 |
| | 7017538 | ARK A200 RT | 1" | 18.00 |
| | 7017539 | ARK A200 RT | 1 1/2" – 2" | 25.50 |

Kit includes: Vent Seal, Check Disc and Bonnet O-Ring

Vent Float Kits

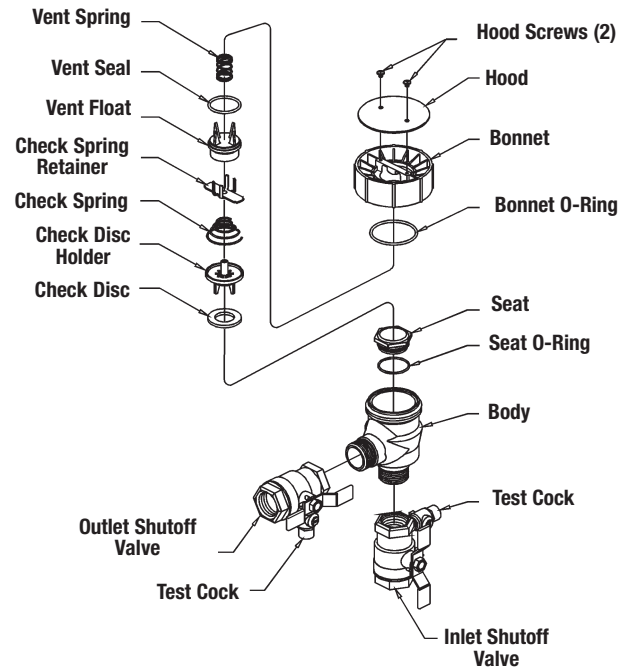
| | | | | |
|-----------|---------|------------|-------------|-------|
| LEAD FREE | 7017540 | ARK A200 V | 1/2" - 3/4" | 12.25 |
| | 7017541 | ARK A200 V | 1" | 12.25 |
| | 7017542 | ARK A200 V | 1 1/2" – 2" | 42.75 |

Kit includes: Float Vent Disc Assembly (Vent Float, Vent Seal and Spring) and Bonnet O-Ring

Seat Kits

| | | | | |
|-----------|---------|------------|-------------|-------|
| LEAD FREE | 7017543 | ARK A200 S | 1/2" - 3/4" | 20.75 |
| | 7017544 | ARK A200 S | 1" | 41.00 |
| | 7017545 | ARK A200 S | 1 1/2" – 2" | 58.25 |

Kit includes: Seat, Seat O-Ring and Bonnet O-Ring



IMPORTANT: Inquire with governing authorities for local installation requirements.

Irrigation Checks FFF/FCC/FPP/ASCV

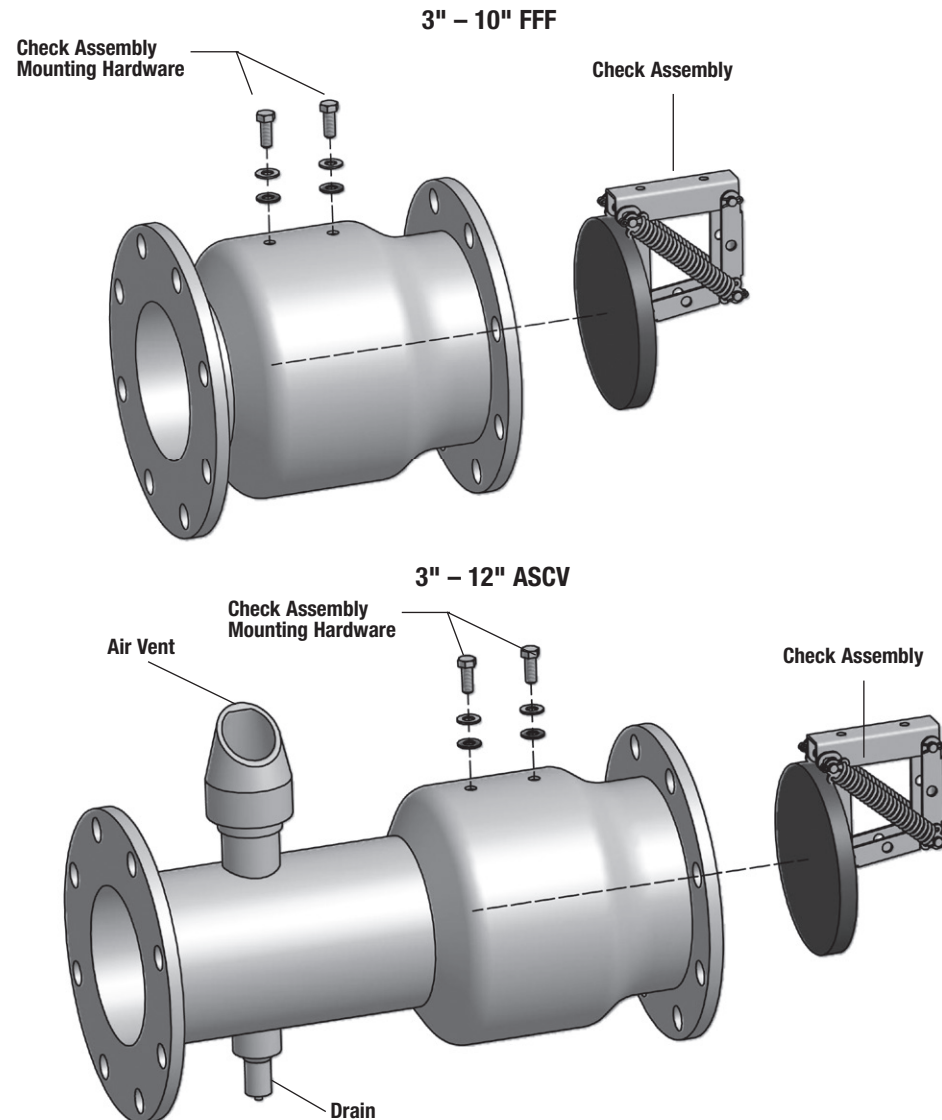
| ORDERING CODE | KIT NO. | SIZE | LIST PRICE |
|---------------|---------|------|------------|
|---------------|---------|------|------------|

1st Check Kits

| | | | | |
|-----------|---------|----------------------|-----------|-----------|
| LEAD FREE | 7010175 | ARK FFF/FPP/ASCV CK1 | 3" | \$ 358.50 |
| | 7010176 | ARK FFF/FPP/ASCV CK1 | 4" | 377.00 |
| | 7010177 | ARK FFF/FPP/ASCV CK1 | 5" | 449.00 |
| | 7010178 | ARK FFF/FPP/ASCV CK1 | 6" | 487.00 |
| | 7010179 | ARK FFF/FPP/ASCV CK1 | 8" | 555.00 |
| | 7010180 | ARK FFF/FPP/ASCV CK1 | 10" - 12" | 729.50 |
| | 7010181 | ARK FFF/FPP/ASCV CK1 | 14" | 1,460.00 |

Kit consists of: Check Assembly and Mounting Hardware

| | | | |
|-----------|---------|---------------------------|--------|
| LEAD FREE | 7013711 | AIR VENT, 2 BALL TYPE | 387.50 |
| | 7013661 | DRAIN, 1 1/2 LOW PRESSURE | 41.25 |



| ORDERING CODE | KIT NO. | PARTS QTY. REQUIRED | LIST PRICE |
|-----------------------|--|---------------------|------------|
| Air Gap Drains | | | |
| 0064661 | 3/4" - 1" 400B AG | 1 | \$ 70.50 |
| 0064662 | 1 1/4" - 2" 400B AG | 1 | 144.00 |
| 7014267 | 1/2", 3/4" 4000B | 1 | 60.00 |
| 0691853 | 1", 1 1/4", 1 1/2" 4000B | 1 | 74.00 |
| 0691866 | 2" 4000B | 1 | 151.00 |
| 0690511 | 2 1/2" - 6" 4000SS (Vertical) | 1 | 803.00 |
| 0691842 | 2 1/2" - 10" 4000SS Plastic | 1 | 192.00 |
| 7011361 | 4000RP / 5000RPDA (Epoxy) | 1 | 827.00 |
| 7017299 | 4" - 10" 4000CIV / 5000CIV | 1 | 303.50 |
| 7018367 | Air Gap Assy (Colt & Maxim) | 1 | 199.00 |
| 7018894 | Air Gap Splash Guard Only (Colt & Maxim) | 1 | 59.25 |

Test Kit

| | | | |
|---------|--------|---|----------|
| 0385502 | ATG -1 | 1 | 2,092.00 |
|---------|--------|---|----------|

Meters

| | | | |
|---------|--------------------------------|---|--------|
| 7016269 | 5/8 X 3/4 - Cubic Feet | 1 | 501.00 |
| 7016273 | 5/8 X 3/4 - Gallons Per Minute | 1 | 501.00 |

Meters for Colt / Maxim N & Z Pattern Valves

| | | | |
|---------|------------------------|---|--------|
| 7017978 | 5/8 X 1/2 - CFM Badger | 1 | 287.50 |
| 7017979 | 5/8 X 1/2 - GPM Badger | 1 | 287.50 |

Remote Outside Meters - Badger

| | | | |
|---------|-----------------|---|--------|
| 7018895 | ROM DC/RP CFM-B | 1 | 783.00 |
| 7018896 | ROM DC/RP GPM-B | 1 | 783.00 |

ROM includes 10' wire.

| ORDERING CODE | KIT NO. | SIZE | LIST PRICE |
|---------------|---------|------|------------|
|---------------|---------|------|------------|

Elbows

| | | | |
|---------|-------------|--------------------|----------|
| 7012798 | 4000B Elbow | 1/2", 3/4" | \$ 42.25 |
| 7012799 | 4000B Elbow | 1", 1 1/4", 1 1/2" | 46.00 |
| 7016586 | 4000B Elbow | 2" | 88.25 |

Kit includes: (2) Elbows, Nut, Bolts, Gaskets and Ring Gaskets.

Elbow Kits for N & Z Pattern C200 & C300 Valves and Elbow Kits for N & Z Pattern M200 & M300 Valves

| | | | |
|---------|--------------------|--------|----------|
| 7018538 | Kit 2.5 Std. Elbow | 2 1/2" | 462.00 |
| 7018539 | Kit 3 Std. Elbow | 3" | 488.00 |
| 7018540 | Kit 4 Std. Elbow | 4" | 550.50 |
| 7018541 | Kit 6 Std. Elbow | 6" | 878.00 |
| 7018542 | Kit 8 Std. Elbow | 8" | 1,366.00 |
| 7018543 | Kit 10 Std. Elbow | 10"*** | 3,348.00 |

**Kits not available for Butterfly valve units.

Kit includes: (2) GRV x GRV Elbows and (2) Groove Couplers

Elbow Kits for N & Z Pattern C400 & C500 Valves

| | | | |
|---------|----------------------|--------|----------|
| 7018544 | Kit 2.5 Ported Elbow | 2 1/2" | 759.50 |
| 7018545 | Kit 3 Ported Elbow | 3" | 875.00 |
| 7018546 | Kit 4 Ported Elbow | 4" | 877.00 |
| 7018547 | Kit 6 Ported Elbow | 6" | 1,359.00 |
| 7018548 | Kit 8 Ported Elbow | 8"*** | 1,381.00 |
| 7018549 | Kit 10 Ported Elbow | 10"*** | 3,362.00 |

**Kits not available for Butterfly valve units.

| ORDERING CODE | KIT NO. | HEIGHT ADJ. | LIST PRICE |
|---------------|---------|-------------|------------|
|---------------|---------|-------------|------------|

Valve Stands

| | | | |
|---------|------------|-----------|----------|
| 0693112 | ARK EZ STD | 10" - 14" | \$320.00 |
|---------|------------|-----------|----------|

| ORDERING CODE | KIT NO. | SIZE | LIST PRICE |
|---------------|---------|------|------------|
|---------------|---------|------|------------|

Test Cocks - Bronze

| | | | |
|-------------------|-----------------------|------|----------|
| 7017249 | RK SAE-TC / Ames | 1/8" | \$ 21.75 |
| 7017250 | TC / Ames | 1/8" | 30.50 |
| 7017627 | SAE-TC Adapter / Ames | 1/4" | 48.00 |
| LEAD FREE 0425362 | LFSAE-TC / Ames | 1/8" | 56.00 |
| 0425363 | LFTC / Ames | 1/4" | 57.75 |
| 7018394 | TC for Colt/Maxim | 1/2" | 96.50 |
| 7018395 | TC for Colt/Maxim | 3/4" | 100.50 |

In-Building Riser Gaskets

| | | | |
|-------------------|---------------------------|-----|-------|
| LEAD FREE 7014421 | In-Building Gasket - CIPS | 4" | 14.00 |
| 7014422 | In-Building Gasket - CIPS | 6" | 30.25 |
| 7014423 | In-Building Gasket - CIPS | 8" | 35.25 |
| 7014424 | In-Building Gasket - CIPS | 10" | 44.75 |

Replacement "T" Handle Ball Valves for Series 2000B, 4000B & A200

| | | | |
|---------|--------------|--------|--------|
| 0425350 | LFAFBV-TH | 1/2" | 59.25 |
| 0425351 | LFAFBV-TH | 3/4" | 94.25 |
| 0425352 | LFAFBV-TH | 1" | 148.50 |
| 0425353 | LFAFBV | 1 1/4" | 225.50 |
| 0425354 | LFAFBV | 1 1/2" | 289.00 |
| 0425355 | LFAFBV | 2" | 504.00 |
| 0425356 | LFAFBV-TC-TH | 1/2" | 66.25 |
| 0425357 | LFAFBV-TC-TH | 3/4" | 98.50 |
| 0425358 | LFAFBV-TC-TH | 1" | 155.00 |
| 0425359 | LFAFBV-TC-TH | 1 1/4" | 228.00 |
| 0425360 | LFAFBV-TC-TH | 1 1/2" | 292.00 |
| 0425361 | LFAFBV-TC-TH | 2" | 509.50 |

Handle Kits

| | | | |
|---------|-----------------|--------|-------|
| 7017597 | HK FBV-F-AMES | 1 1/4" | 22.75 |
| 7017598 | HK FBV-F-AMES | 1 1/2" | 22.75 |
| 7017599 | HK FBV-F-AMES | 2" | 22.75 |
| 7017600 | HK FBV-E-F-AMES | 1 1/4" | 22.75 |
| 7017606 | HK FBV-E-F-AMES | 1 1/2" | 22.75 |
| 7017607 | HK FBV-E-F-AMES | 2" | 22.75 |

*The wetted surface of this product contacted by consumable water contains less than 0.25% of lead by weight.



*The wetted surface of this product contacted by consumable water contains less than 0.25% of lead by weight.

| ORDERING CODE | KIT NO. | SIZE | LIST PRICE |
|--------------------------------|--------------------------|--------|------------|
| Replacement Gate Valves | | | |
| 7018670 | Gate Valve OSY GRV x GRV | 2 1/2" | \$ 927.50 |
| 7018671 | Gate Valve OSY GRV x GRV | 3" | 1,021.00 |
| 7018672 | Gate Valve OSY GRV x GRV | 4" | 1,238.00 |
| 7018673 | Gate Valve OSY GRV x GRV | 6" | 1,972.00 |
| 7018674 | Gate Valve OSY GRV x GRV | 8" | 3,333.00 |
| 7018675 | Gate Valve OSY GRV x GRV | 10" | 5,282.00 |
| 7018676 | Gate Valve NRS GRV x GRV | 2 1/2" | 713.00 |
| 7018677 | Gate Valve NRS GRV x GRV | 3" | 755.00 |
| 7018678 | Gate Valve NRS GRV x GRV | 4" | 964.00 |
| 7018679 | Gate Valve NRS GRV x GRV | 6" | 1,529.00 |
| 7018680 | Gate Valve NRS GRV x GRV | 8" | 2,431.00 |
| 7018681 | Gate Valve NRS GRV x GRV | 10" | 3,392.00 |
| 7018688 | Gate Valve PIV GRV x GRV | 3" | 1,305.00 |
| 7018689 | Gate Valve PIV GRV x GRV | 4" | 1,305.00 |
| 7018690 | Gate Valve PIV GRV x GRV | 6" | 2,031.00 |
| 7018691 | Gate Valve PIV GRV x GRV | 8" | 5,611.00 |
| 7018692 | Gate Valve PIV GRV x GRV | 10" | 9,028.00 |
| 7014773 | Gate Valve OSY FLG x FLG | 2 1/2" | 927.50 |
| 7014774 | Gate Valve OSY FLG x FLG | 3" | 1,021.00 |
| 7014777 | Gate Valve OSY FLG x FLG | 4" | 1,216.00 |
| 7014778 | Gate Valve OSY FLG x FLG | 6" | 1,934.00 |
| 7014779 | Gate Valve OSY FLG x FLG | 8" | 3,270.00 |
| 7014780 | Gate Valve OSY FLG x FLG | 10" | 5,181.00 |
| 7014775 | Gate Valve NRS FLG x FLG | 2 1/2" | 713.00 |
| 7014776 | Gate Valve NRS FLG x FLG | 3" | 740.50 |
| A000704 | Gate Valve NRS FLG x FLG | 4" | 964.00 |
| A000705 | Gate Valve NRS FLG x FLG | 6" | 1,529.00 |
| A000706 | Gate Valve NRS FLG x FLG | 8" | 2,431.00 |
| A000707 | Gate Valve NRS FLG x FLG | 10" | 3,392.00 |
| 7018792 | Gate Valve PIV FLG x FLG | 3" | 1,305.00 |
| 7018793 | Gate Valve PIV FLG x FLG | 4" | 1,305.00 |
| 7018794 | Gate Valve PIV FLG x FLG | 6" | 1,828.00 |
| 7018795 | Gate Valve PIV FLG x FLG | 8" | 5,052.00 |
| 7018772 | Gate Valve PIV FLG x FLG | 10" | 9,028.00 |
| 7017999 | Gate Valve OSY FLG x GRV | 2 1/2" | 927.50 |
| 7018000 | Gate Valve OSY FLG x GRV | 3" | 1,021.00 |
| 7018001 | Gate Valve OSY FLG x GRV | 4" | 1,238.00 |
| 7018002 | Gate Valve OSY FLG x GRV | 6" | 1,972.00 |
| 7018003 | Gate Valve OSY FLG x GRV | 8" | 3,333.00 |
| 7018687 | Gate Valve OSY FLG x GRV | 10" | 5,181.00 |

| ORDERING CODE | KIT NO. | SIZE | LIST PRICE |
|--|-----------------------------------|-----------|------------|
| Replacement Gate Valves (cont.) | | | |
| 7018004 | Gate Valve NRS FLG x GRV | 2 1/2" | \$ 713.00 |
| 7018005 | Gate Valve NRS FLG x GRV | 3" | 755.00 |
| 7018006 | Gate Valve NRS FLG x GRV | 4" | 964.00 |
| 7018007 | Gate Valve NRS FLG x GRV | 6" | 1,529.00 |
| 7018008 | Gate Valve NRS FLG x GRV | 8" | 2,431.00 |
| consult factory | Gate Valve NRS FLG x GRV | 10" | CF |
| 7018768 | Gate Valve PIV FLG x GRV | 3" | 1,305.00 |
| 7018769 | Gate Valve PIV FLG x GRV | 4" | 1,305.00 |
| 7018770 | Gate Valve PIV FLG x GRV | 6" | 1,828.00 |
| 7018771 | Gate Valve PIV FLG x GRV | 8" | 5,052.00 |
| 7012920 | Gate Valve Pack NRS FLG x FLG | 2 1/2" | 1,335.00 |
| 7012921 | Gate Valve Pack NRS FLG x FLG | 3" | 1,402.00 |
| 7012922 | Gate Valve Pack NRS FLG x FLG | 4" | 1,543.00 |
| 7012926 | Gate Valve Pack NRS FLG x FLG | 6" | 2,078.00 |
| 7012929 | Gate Valve Pack NRS FLG x FLG | 8" | 3,444.00 |
| 7012908 | Gate Valve Pack OSY FLG x FLG | 2 1/2" | 1,417.00 |
| 7012909 | Gate Valve Pack OSY FLG x FLG | 3" | 1,590.00 |
| 7012910 | Gate Valve Pack OSY FLG x FLG | 4" | 1,748.00 |
| 7012927 | Gate Valve Pack OSY FLG x FLG | 6" | 2,489.00 |
| 7012928 | Gate Valve Pack OSY FLG x FLG | 8" | 3,814.00 |
| Pack includes: 2 tapped gate valves, 1 test cock and nipple, flange gasket and bolts | | | |
| 7018783 | Gate Valve Pack OSY/PIV FLG x FLG | 3" | 2,163.00 |
| 7018784 | Gate Valve Pack OSY/PIV FLG x FLG | 4" | 2,287.00 |
| 7018785 | Gate Valve Pack OSY/PIV FLG x FLG | 6" | 3,310.00 |
| 7018786 | Gate Valve Pack OSY/PIV FLG x FLG | 8" | 7,384.00 |
| 7018787 | Gate Valve Pack OSY/PIV FLG x FLG | 10" | 11,799.00 |
| Pack includes: 1 flanged OSY, 1 flanged PIV, 1 test cock and nipple, flange gasket and bolts | | | |
| 7014570 | Handwheel OSY | 2 1/2" | 165.50 |
| 7014572 | Handwheel OSY | 3" & 4" | 753.50 |
| 7014573 | Handwheel OSY | 6" | 1,012.00 |
| 7014574 | Handwheel OSY | 8" | 1,016.00 |
| 7014575 | Handwheel OSY | 10" & 12" | 1,584.00 |
| 7014571 | Handwheel NRS | 2 1/2" | 165.50 |
| 7014576 | Handwheel NRS | 3" & 4" | 753.50 |
| 7014577 | Handwheel NRS | 6" | 1,012.00 |
| Replacement Butterfly Valves (Grooved) | | | |
| 0702360 | Butterfly Valve, 2.5 GRV Gear | 2 1/2" | 779.00 |
| 0702361 | Butterfly Valve, 3 GRV Gear | 3" | 856.50 |
| 0702362 | Butterfly Valve, 4 GRV Gear | 4" | 1,038.00 |
| 0702363 | Butterfly Valve, 6 GRV Gear | 6" | 1,654.00 |
| 0702364 | Butterfly Valve, 8 GRV Gear | 8" | 2,797.00 |
| 7018154 | Butterfly Valve, 10 GRV Gear | 10" | 8,877.00 |



| SIZE | MODEL | LESS METER ORDERING CODE | LIST PRICE | CUBIC FEET ORDERING CODE | LIST PRICE | GALLONS PER MINUTE ORDERING CODE | LIST PRICE |
|--------------------------|---------------|--------------------------|------------|--------------------------|------------|----------------------------------|------------|
| Bypass Assemblies | | | | | | | |
| 4" | 1000DCV EPOXY | 7016892 | \$465.50 | 7015274 | \$737.50 | 7011188 | \$ 724.00 |
| 6" | 1000DCV EPOXY | 7016893 | 558.00 | 7015275 | 832.00 | 7011189 | 816.00 |
| 8" | 1000DCV EPOXY | 7016894 | 724.00 | 7015276 | 1,001.00 | 7011190 | 981.50 |
| 10" | 1000DCV EPOXY | 7016960 | 759.00 | 7015277 | 1,022.00 | 7011191 | 1,022.00 |
| 4" | 1000SS | 7016496 | 475.50 | 7015547 | 530.00 | 7015573 | 530.00 |
| 6" | 1000SS | 7016497 | 562.00 | 7015548 | 602.50 | 7015582 | 591.00 |
| 8" | 1000SS | 7016894 | 724.00 | 7015276 | 1,001.00 | 7011190 | 981.50 |
| 10" | 1000SS | 7016500 | 621.50 | 7016498 | 773.50 | 7016499 | 773.50 |
| 2" | 3000B | N/A | — | 7018664 | 1,528.00 | 7018665 | 1,528.00 |
| 2 1/2" – 4" | 3000SS | 7016191 | 889.00 | 7015539 | 1,261.00 | 7015554 | 1,237.00 |
| 6" | 3000SS | 7016192 | 1,090.00 | 7015540 | 1,367.00 | 7015555 | 1,342.00 |
| 8" | 3000SS | 7016194 | 931.00 | 7015542 | 1,367.00 | 7015557 | 1,367.00 |
| 10" & 12" | 3000SS | 7016193 | 934.50 | 7015541 | 1,419.00 | 7015556 | 1,419.00 |
| 2 1/2" | 3000SE | 7016195 | 888.00 | 7015543 | 1,166.00 | 7015558 | 1,166.00 |
| 6" | 3000SE | 7016198 | 892.00 | 7015546 | 1,315.00 | 7015568 | 1,315.00 |
| 8" | 3000SE | 7016192 | 1,090.00 | 7015540 | 1,367.00 | 7015555 | 1,342.00 |
| 3" & 4" | 3001SS | 7016632 | 888.50 | 7016630 | 1,147.00 | 7016631 | 1,147.00 |
| 6" & 8" | 3001SS | 7016674 | 1,207.00 | 7016672 | 1,464.00 | 7016673 | 1,494.00 |
| 3" | 3000CIV | N/A | — | | | | |
| 4" | 3000CIV | N/A | — | | | | |
| 6" | 3000CIV | N/A | — | | | | |
| 8" | 3000CIV | N/A | — | | | | |
| 10" | 3000CIV | N/A | — | 7016396 | 1,349.00 | | |
| 2 1/2" – 4" | 5000SS | 7016196 | 1,055.00 | 7015544 | 1,437.00 | 7015562 | 1,437.00 |
| 6" | 5000SS | 7016197 | 1,044.00 | 7015545 | 1,486.00 | 7015563 | 1,486.00 |
| 3" & 4" | 5001SS | 7016677 | 979.50 | 7016675 | 1,238.00 | 7016676 | 1,238.00 |
| 6" | 5001SS | 7016680 | 1,288.00 | 7016678 | 1,545.00 | 7016679 | 1,545.00 |
| 3" | 5000CIV | N/A | — | 7016400 | 1,464.00 | 7016405 | 1,464.00 |
| 4" | 5000CIV | N/A | — | 7016401 | 1,477.00 | 7016406 | 1,477.00 |
| 6" | 5000CIV | N/A | — | 7016402 | 1,528.00 | 7016407 | 1,528.00 |
| 8" | 5000CIV | N/A | — | 7016403 | 1,549.00 | 7016408 | 1,549.00 |
| 10" | 5000CIV | N/A | — | 7016404 | 1,629.00 | 7016409 | 1,629.00 |
| 4" | 5000 RPDA | 7016165 | 2,243.00 | 7015278 | 2,506.00 | 7011278 | 2,506.00 |
| 6" | 5000 RPDA | | | 7015279 | 2,541.00 | 7011279 | 2,541.00 |
| 8" | 5000 RPDA | | | 7015280 | 2,620.00 | 7011280 | 2,620.00 |
| 10" | 5000 RPDA | | | 7015281 | 2,623.00 | 7011281 | 2,623.00 |

Bypass Assemblies include: Bypass line, meter, backflow preventer, all associated piping and connections.



*The wetted surface of this product contacted by consumable water contains less than 0.25% of lead by weight.

| MODEL LESS METER | ORDERING CODE | LIST PRICE | MODEL CUBIC FEET | ORDERING CODE | LIST PRICE | MODEL GALLONS PER MINUTE | ORDERING CODE | LIST PRICE |
|---|------------------|---------------|----------------------------|------------------|---------------|-----------------------------|------------------|---------------|
| Hard Piped Bypass Assemblies (use on all straight pattern Colt and Maxim valves) | | | | | | | | |
| MF34 DCDA LM HARD | 7018584 | \$946.50 | MF34 DCDA CFM HARD | 7018583 | \$970.50 | MF34 DCDA GPM HARD | 7018582 | \$ 970.50 |
| MF46 DCDA LM HARD | 7018587 | 1,056.00 | MF46 DCDA CFM HARD | 7018586 | 1,133.00 | MF46 DCDA GPM HARD | 7018585 | 1,133.00 |
| MF68 DCDA LM HARD | 7018590 | 1,039.00 | MF68 DCDA CFM HARD | 7018589 | 2,200.00 | MF68 DCDA GPM HARD | 7018588 | 2,200.00 |
| MF810 DCDA LM HARD | 7018593 | 1,123.00 | MF810 DCDA CFM HARD | 7018592 | 2,200.00 | MF810 DCDA GPM HARD | 7018591 | 2,200.00 |
| MF34 RPDA LM HARD | 7018596 | 1,803.00 | MF34 RPDA CFM HARD | 7018595 | 1,715.00 | MF34 RPDA GPM HARD | 7018594 | 1,715.00 |
| MF46 RPDA LM HARD | 7018599 | 1,849.00 | MF46 RPDA CFM HARD | 7018598 | 1,802.00 | MF46 RPDA GPM HARD | 7018597 | 1,802.00 |
| MF68 RPDA LM HARD | 7018602 | 1,875.00 | MF68 RPDA CFM HARD | 7018601 | 1,917.00 | MF68 RPDA GPM HARD | 7018600 | 1,917.00 |
| MF810 RPDA LM HARD | 7018605 | 1,901.00 | MF810 RPDA CFM HARD | 7018604 | 1,973.00 | MF810 RPDA GPM HARD | 7018603 | 1,973.00 |
| Hard Piped Bypass Assemblies (use on all N-pattern Colt and Maxim Valves) | | | | | | | | |
| BYP, M/C 2.5-3 300N LM | 7018821 | 1,349.00 | BYP, M/C 2.5-3 300N CFM | 7018797 | 1,612.00 | BYP, M/C 2.5-3 300N GPM | 7018798 | 1,612.00 |
| BYP, M/C 2.5-3 500N LM | | | BYP, M/C 2.5-3 500N CFM | 7018799 | 1,955.00 | BYP, M/C 2.5-3 500N GPM | 7018800 | 1,955.00 |
| BYP, M/C 4 300N LM | | | BYP, M/C 4 300N CFM | | | BYP, M/C 4 300N GPM | 7018804 | 1,645.00 |
| BYP, M/C 4 500N LM | | | BYP, M/C 4 500N CFM | 7018805 | 1,985.00 | BYP, M/C 4 500N GPM | 7018806 | 1,985.00 |
| BYP, M/C 6-8 300N LM | | | BYP, M/C 6-8 300N CFM | 7018813 | 1,744.00 | BYP, M/C 6-8 300N GPM | 7018814 | 1,744.00 |
| BYP, M/C 6 500N LM | 7018827 | 1,778.00 | BYP, M/C 6 500N CFM | 7018809 | 2,040.00 | BYP, M/C 6 500N GPM | 7018810 | 2,040.00 |
| BYP, M/C 8-10 300N LM | | | BYP, M/C 8-10 300N CFM OSY | 7018815 | 1,796.00 | BYP, M/C 8-10 300N GPM OSY | 7018816 | 1,796.00 |
| BYP, M/C 8-10 500N LM | 7018831 | 1,845.00 | BYP, M/C 8-10 500N CFM | 7018817 | 2,109.00 | BYP, M/C 8-10 500N GPM | 7018818 | 2,109.00 |
| Hard Piped Bypass Assemblies (use on all Z-pattern Colt and Maxim Valves) | | | | | | | | |
| BYP, M/C 2.5-3 500Z LM | 7018823 | 1,751.00 | BYP, M/C 2.5-3 500Z CFM | 7018801 | 2,013.00 | BYP, M/C 2.5-3 500Z GPM | 7018802 | 2,013.00 |
| BYP, M/C 4 500Z LM | 7018826 | 1,778.00 | BYP, M/C 4 500Z CFM | 7018807 | 2,040.00 | BYP, M/C 4 500Z GPM | 7018808 | 2,040.00 |
| BYP, M/C 6 500Z LM | 7018828 | 1,832.00 | BYP, M/C 6 500Z CFM | 7018811 | 2,095.00 | BYP, M/C 6 500Z GPM | 7018812 | 2,095.00 |
| BYP, M/C 8-10 500Z LM | | | BYP, M/C 8-10 500Z CFM | 7018819 | 2,168.00 | BYP, M/C 8-10 500Z GPM | 7018820 | 2,168.00 |

| Hard Piped Bypass Sizing Chart for Colt/Maxim | | |
|--|-------------|--------------|
| | Colt | Maxim |
| MF34 = | 2½", 3", 4" | 2½", 3" |
| MF46 = | 6" | 4" |
| MF68 = | 8" | 6" |
| MF810 = | 10" | 8" - 10" |



To locate your nearest Ames representative, please go to
AmesFireWater.com/Find_A_Rep

Represented by:



A WATTS Brand