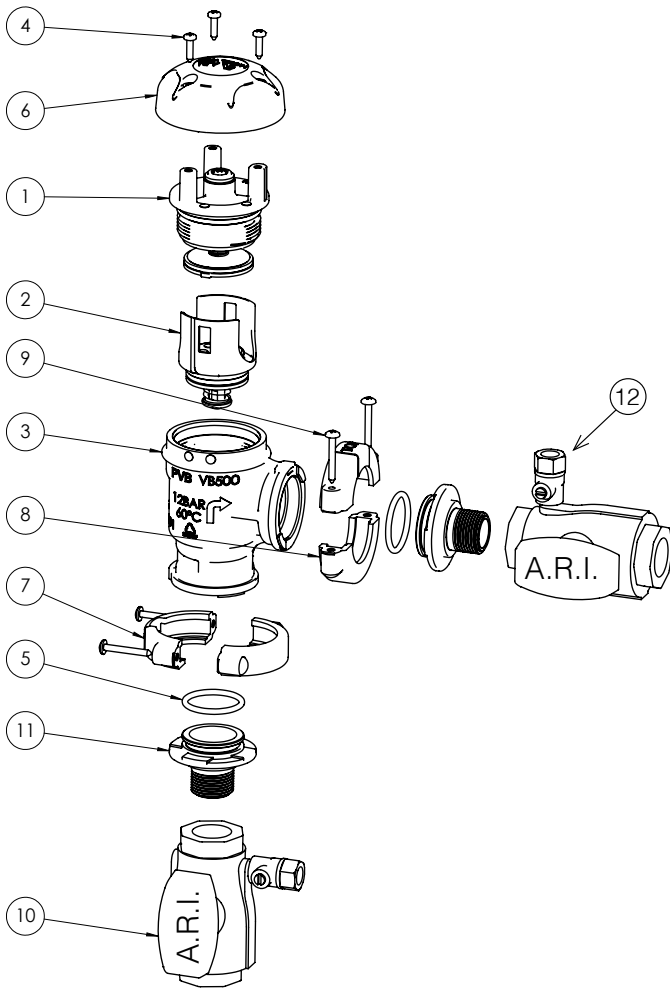




VB-500 VB-501 3/4" - 1"



ITEM	PART	Material	QTY.
1	Vent Assembly		1
2	Check Valve Assembly		1
3	Body VB500	Reinforced PA	1
4	Cover Bolts	SS304	3
5	O Rings 2-219	NBR	2
6	Cover VB500	PP	1
7	Band up RP500	Reinforced PA	2
8	Band down RP500	Reinforced PA	2
9	Band bolts	SS304	4
10 *	Ball Valve	Reinforced PA	2
11	Nipple Adaptor	Reinforced PA	2
12	Test cox	Brass	2

* Ball Valves can come in brass (Model VB-500)

1. Vent Assembly		0428-0501-VB-KIT	
1.1	Vent Seat	Reinforced PA	1
1.2	Vent piston	Acetal	1
1.3	Vent seal	EPDM	1
1.4	Sleeve	Reinforced PA	1
1.5	PLUG VB500	Acetal	2
1.6	VENT Spring	St.St.	1

2. Check Valve Assembly		0428-01-NR-KIT	
2.1	Check valve Seat	Acetal	1
2.2	Check valve seal	EPDM	1
2.3	O-ring 2-219	NBR	3
2.4	Check Valve Spring	St.St.	1
2.5	Check valve piston	Acetal	1