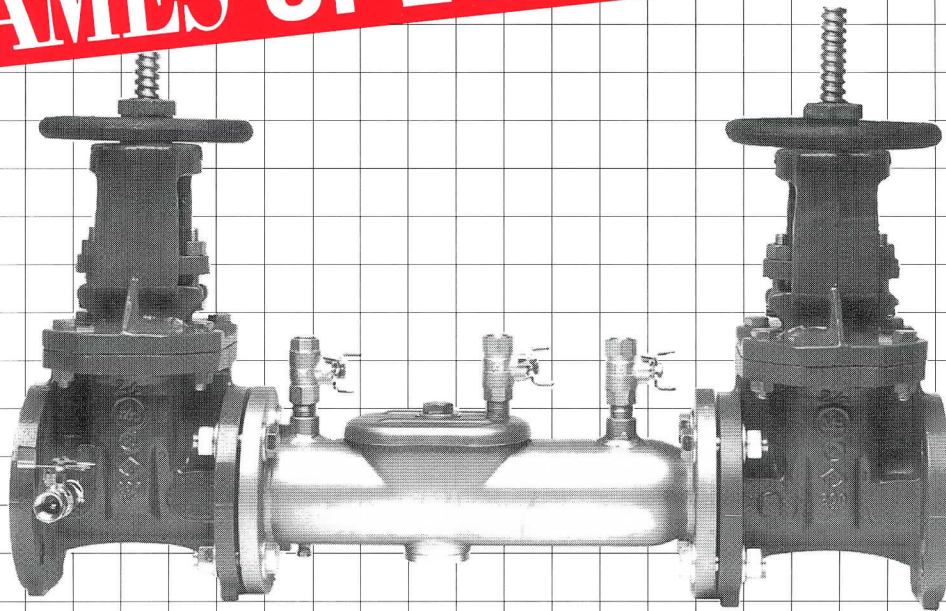


# AMES<sup>CO.</sup> SPECIAL EDITION



**MODEL 2000SE**  
Double Check Assembly

**MODEL 3000SE**  
Double Check Detector Check Assembly

## SHORTEST LAY LENGTH

*The Special Edition is shorter than any other competitive assembly. The Special Edition is perfect for space restricted retrofit installations.*

## DEPENDABILITY

*The long life 300 series Stainless Steel housing, along with the cartridge check assembly, substantially reduces the need to service or repair the assembly. No special tools are required for servicing. The assembly is 100% lead free through the waterway.*

## LONG ON SAVINGS

*From engineering to purchasing, to installation, to servicing, to long term dependability, the Special Edition is extra long on savings.*

## APPLICATION

*The Ames Special Edition provides positive drip-tight closure against the reverse flow of non-potable liquids caused by a cross connection. The SE can be used in irrigation systems, fire systems and other systems requiring low and intermediate hazard protection.*

## INSTALLATION

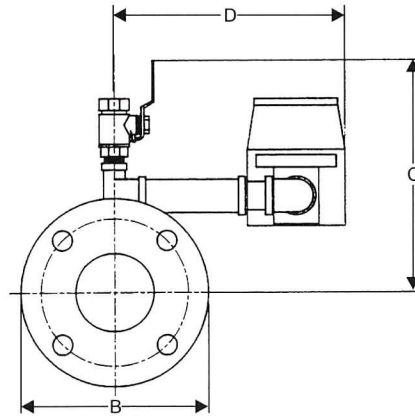
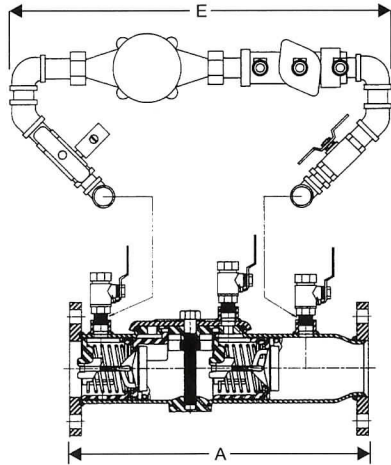
*Horizontal and vertical.*

## NATIONAL APPROVALS

*Contact factory for specific approvals.*

**AMES<sup>CO.</sup>**  
FLUID CONTROL SYSTEMS

# AMES SPECIAL EDITION



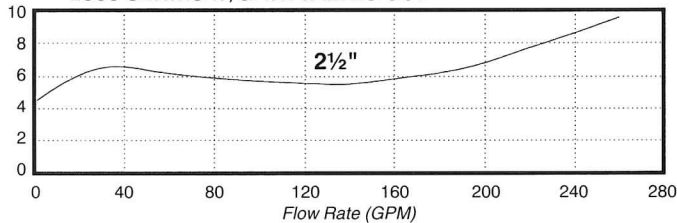
## AMES SPECIAL EDITION - WEIGHTS & DIMENSIONS (Inches)

SIZE	A	B	C	D	Lay Length with Gates	Wt. of Valves without Gates		Wt. of Valves with Gates	
						2000SE	3000SE	2000SE	3000SE
2 1/2"	15 3/4"	7"	10.5"	15"	31"	26#	37#	113#	124#

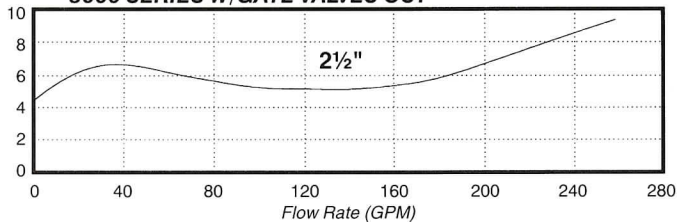
## OPERATION

In normal flow conditions, the independently operating cartridge checks remain closed until there is a demand for water. Each of the cartridge checks are designed to open at approximately (1) PSI pressure differential in the direction of flow. At cessation of flow or under back pressure condition, both checks will close until the resumption of normal flow.

2000 SERIES W/GATE VALVES OSY



3000 SERIES W/GATE VALVES OSY



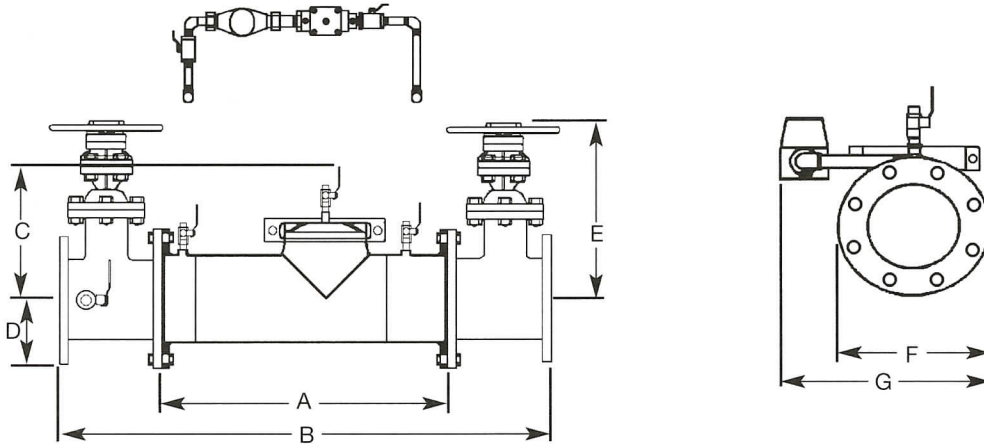
## SPECIFICATIONS

The Special Edition shall consist of two independently operating cartridge checks, appropriate test cocks and inlet and outlet resilient wedge shut off valves. Each cartridge check shall be internally loaded and provide a positive drip tight closure against the reverse flow of liquid caused by back siphonage or back pressure. The cartridge checks include a stainless steel spring and swing poppet, a rubber faced disc and a replaceable seat. The body shall be manufactured from 300 series stainless steel and is 100% lead free through the waterway with a single one-bolt access cover. No special tools shall be required for servicing. Double Check shall be Ames 2000SE. Double Check Detector Check shall be 3000SE.

## PHYSICAL CHARACTERISTICS

- Size - 2 1/2"
- Rated working pressure - 175 psi
- Hydrostatic pressure - 350 psi
- Temperature range - 32° F - 110° F
- Flange dimensions in accordance with AWWA
- All internal metal parts 300 series stainless steel
- Body material non-corrosive 300 series stainless steel (lead free) construction

# AMES SPECIAL EDITION



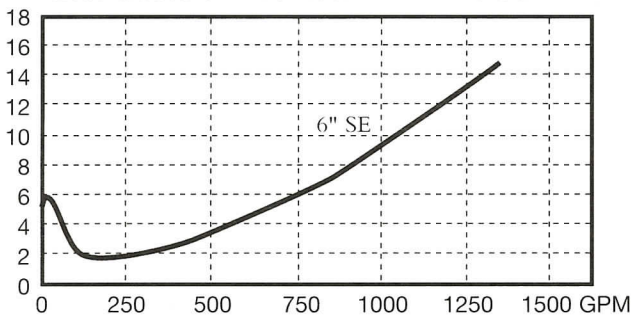
## AMES SPECIAL EDITION - WEIGHTS & DIMENSIONS (inches)

SIZE	A	B	C	D	OS & Y E (Open)	F	G	Wt. w/Gates		Wt. w/o Gates	
								2000SE	3000SE	2000SE	3000SE
6"	20"	41 1/2"	11 1/8"	5 1/2"	30"	11"	16 1/2"	328#	341#	58#	71#
8"	29 1/2"	52 1/2"	17 1/2"	6 3/4"	37 3/4"	13 1/2"	17 1/2"	540#	555#	120#	135#

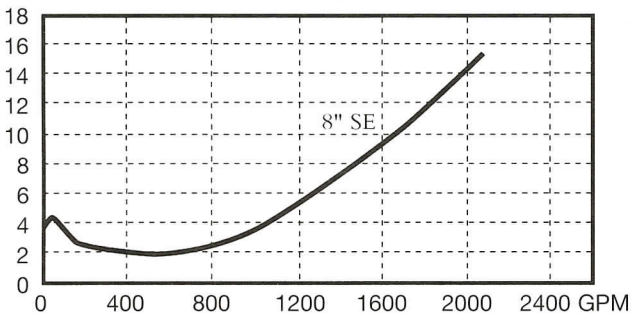
## OPERATION

In normal flow conditions, the independently operating check valves remain closed until there is a demand for water. Each of the check valves are designed to open at approximately (1) PSI pressure differential in the direction of flow. At cessation of flow or under back pressure condition, both checks will close until the resumption of normal flow.

2000 & 3000 SERIES W/GATE VALVES OSY



2000 & 3000 SERIES W/GATE VALVES OSY



## SPECIFICATIONS

The Special Edition shall consist of two independently operating spring loaded patented\* cam-check valves, appropriate test cocks and inlet and outlet resilient wedge shut off valves. Each patented\* cam-check shall be internally loaded and provide a positive drip tight closure against the reverse flow of liquid caused by back siphonage or back pressure. The modular cam-check includes a stainless steel spring and cam-arm, resilient faced disc and a replaceable seat. The body shall be manufactured from 300 series stainless steel and is 100% lead free through the waterway with a single two-bolt grooved style access cover. No special tools shall be required for servicing. Double Check shall be Ames 2000SE, Double Check Detector Check shall be 3000 SE.

## PHYSICAL CHARACTERISTICS

- Size - 6" and 8"
- Rated working pressure - 175 psi
- Hydrostatic pressure - 350 psi
- Temperature range - 32°F - 110°F
- Flange dimensions in accordance with AWWA Class D
- All internal metal parts 300 series stainless steel
- Body material non-corrosive 300 series stainless steel (lead free) construction

\* Patent # 5,046,525