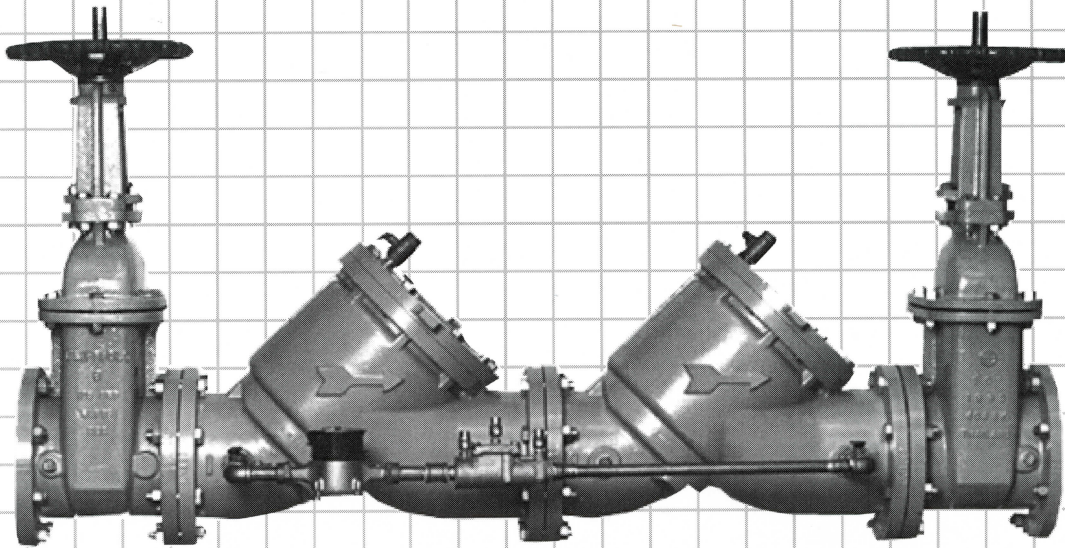


# MODEL 3000CIV

## Double Check Detector Assembly



**DESIGNED AND APPROVED  
FOR VERTICAL APPLICATIONS**

### ■ **Application**

The Ames 3000CIV Series Double Detector Check Valve Backflow Prevention Assembly protects the potable water system by preventing backflow from fire protection systems. The device also detects leaks or unauthorized use of water from fire protection lines.

### ■ **Operation**

In the incidence of minimal water flow, the valve clapper remains closed so that the water flows through the bypass loop. When major water flow is required, the water pressure will open the main valves to allow full water flow.

### ■ **Installation**

The 3000CIV should be installed vertically with adequate clearance and easy accessibility for maintenance and testing. The 3000CIV may be installed vertically or horizontally. Refer to local codes for specific installation requirements.

### ■ **Features**

- Replaceable bronze seats
- Maximum flow at low pressure drop
- Design simplicity for easy maintenance
- No Special Tools Required for Servicing
- Captured spring assemblies for safety
- Fusion bonded epoxy coated cast iron

### ■ **Approvals**

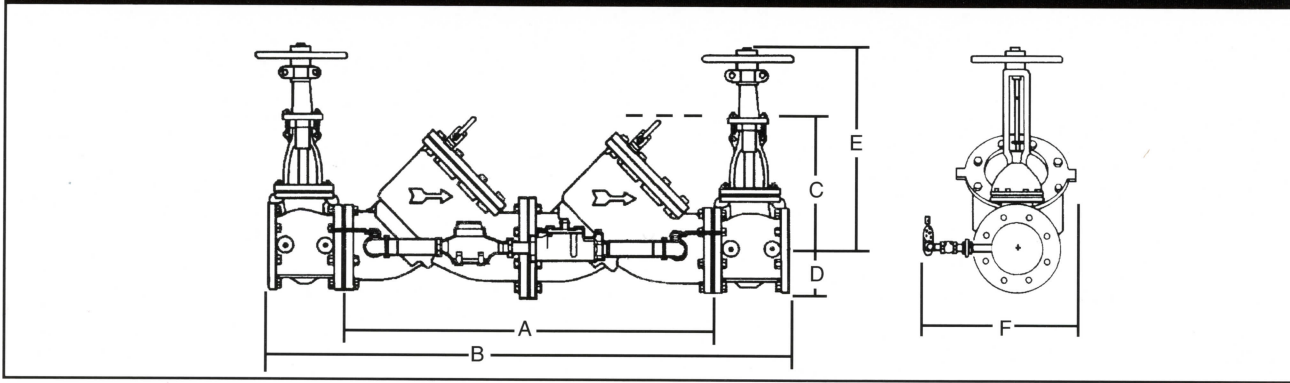
Approved by national approval agencies for horizontal and vertical (flow up) applications.

# AMIES<sup>CO</sup>

FLUID CONTROL SYSTEMS

# MODEL 3000CIV

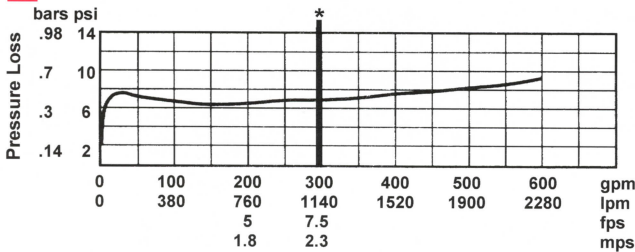
# Double Check Detector Assembly



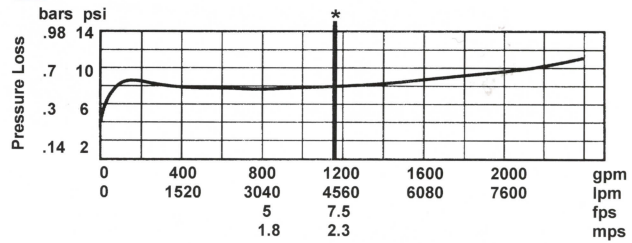
## 4" - 10" (64-254mm) 3000CIV Dimensions

Size		A		B		Service Clearance For Check C		D		Service Clearance OS&Y Open E		F		Weight With OS&Y Valves	
in.	mm	in.	mm	in.	mm	in.	mm	in.	mm	in.	mm	in.	mm	lbs.	kgs.
4	102	34	867	52	1321	14	356	4.5	114	23.75	603	21	533	403	183
6	152	41.5	1057	62.5	1597	16	406	5.5	140	32.5	826	23.5	597	727	330
8	203	52	1321	75	1905	21	533	6.5	165	39.25	997	26	661	1327	602
10	254	64	1626	90	2286	25	635	8	203	40	1016	28.25	718	2093	949

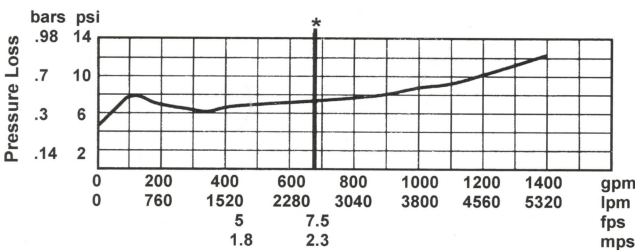
## 4" (102mm) Flow Characteristics



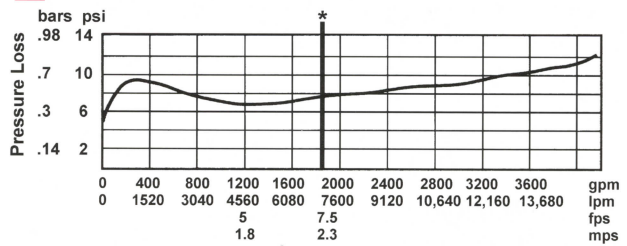
## 8" (203mm) Flow Characteristics



## 6" (152mm) Flow Characteristics



## 10" (254mm) Flow Characteristics



## Specifications

A double check detector backflow preventer shall be installed on fire protection systems when connected to a potable water supply. Degree of hazard is determined by the local authority having jurisdiction. The unit shall be a complete assembly including UL listed resilient seated OS&Y shutoff valves and test cocks. The auxiliary line shall consist of an approved backflow preventer and water meter. Valve shall feature modular check assemblies with center stem guiding. Each check module shall have a captured spring and be accessible through a bolted cover plate. Seats shall be replaceable without special tools. The assembly shall meet the requirements of ASSE No. 1048; AWWA C510 for Double Check Valves and shall be Ames model 3000 CIV.

## Physical Characteristics

Sizes - 4", 6", 8", 10"  
 Rated working pressure - 175 psi  
 Temperature Range - 32°F to 110°F  
 ASSE 1048, AWWA C510

Ames product specifications in U.S. customary units and metric are approximate and are provided for reference only. For precise measurements, please contact Ames Technical Service. Ames reserves the right to change or modify product design, construction, specifications, or materials without prior notice and without incurring any obligation to make such changes and modifications on Ames products previously or subsequently sold.