

MODEL 4000SS **Reduced Pressure Principle Backflow Prevention Assembly**



FOR HIGH HAZARD CROSS CONNECTION CONTROL

Ames Silver Bullet: The Right Choice for Today, Tomorrow, and the 21st Century

■ **Features**

- Non-corrosive 300 series stainless steel (lead free) construction. Superior strength.
- Fully serviceable inline, no special tools.
- Low pressure loss.
- Pretested cartridge check assembly for long term reliability, ease of serviceability.
- Single top entry inspection port for easy servicing.
- ASSE 1013 approved assembly.
- Optional air gap drain.
- Hot and cold water applications.
- Optional wye strainer.
- 175 PSI rated working pressure.
- Straight through flow-way.

■ **National Approvals***

Approved by all national approval agencies.

■ **Application**

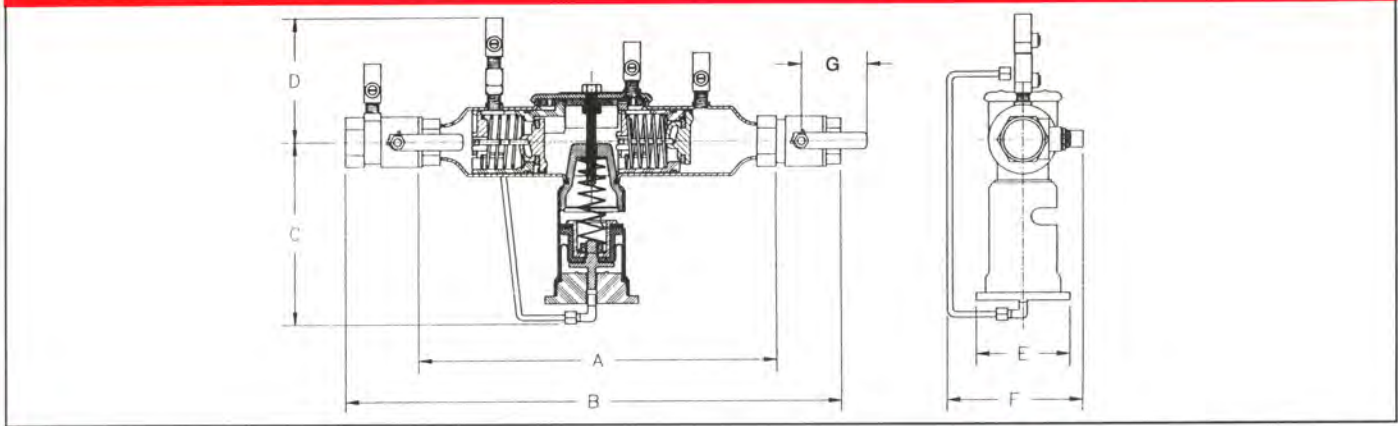
The Ames 4000ss provides protection to the potable water supply from contamination caused by a cross connection in a high hazard application.

■ **Installation**

The 4000ss should be installed with a minimum clearance of 12" between the lowest point of the assembly and the floor or grade. The 4000ss may be installed horizontally or vertically (flow up). Refer to local codes for specific installation requirements. The assembly should be installed so the discharge can be positively drained away.

AMES
CO.
FLUID CONTROL SYSTEMS

MODEL 4000ss **Reduced Pressure Principle Backflow Prevention Assembly**

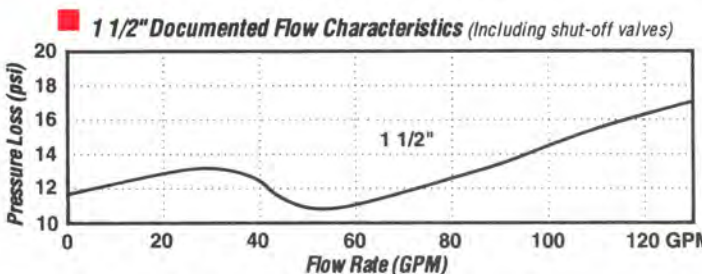
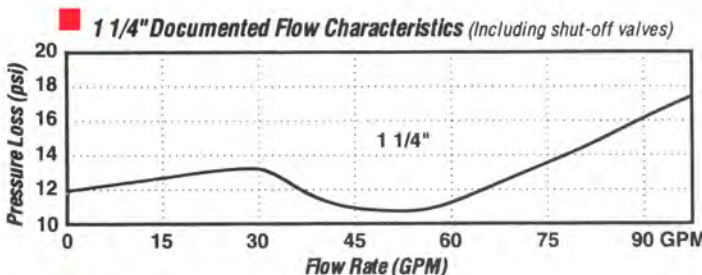
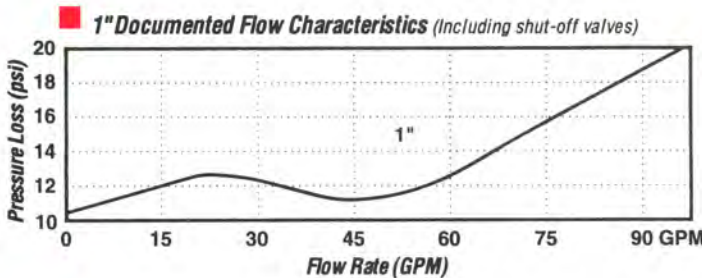
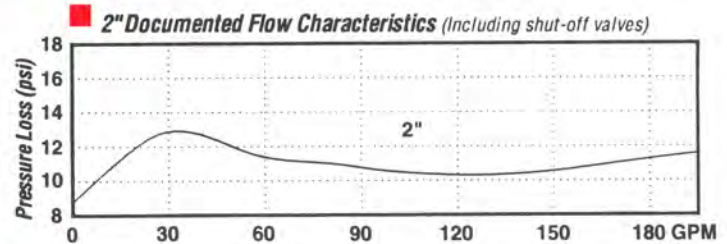
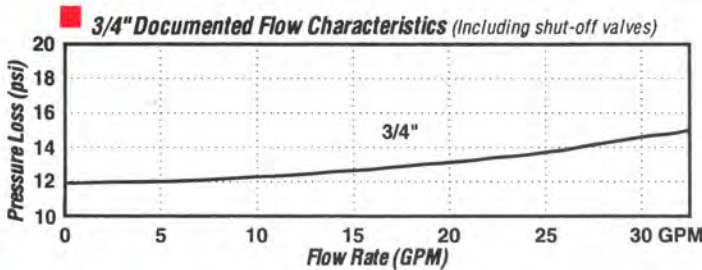


Ames 4000ss - Weights & Dimensions (inches)

SIZE	A	B	C	D	E	F	H	Net Wt. (lb.) w/Ball Valves	Net Wt. (lb.) w/o Ball Valves
3/4"	10 3/4"	15"	5 1/2"	3 5/8"	2 3/4"	5"	4"	5.75#	4#
1"	10 3/4"	16"	5 1/2"	3 5/8"	2 3/4"	5 1/4"	4 1/2"	6.75#	4#
1 1/4"	10 3/4"	16 1/4"	5 1/2"	3 5/8"	2 3/4"	5 1/2"	4 3/4"	8#	4#
1 1/2"	10 3/4"	17"	5 1/2"	3 5/8"	2 3/4"	5 1/2"	4 3/4"	10.50#	4#
2"	15"	23 1/4"	7"	4"	2 3/4"	5 1/2"	6 1/2"	25.75#	14 3/4#

Physical Characteristics

Sizes - 3/4", 1", 1 1/4", 1 1/2", 2"
 Rated working pressure - 175 psi
 Temperature range - 32°F - 110°F
 Construction 300 series stainless steel
 Assembly shall be ASSE 1013 approved for vertical installations.



Specifications

The reduced pressure backflow preventer shall consist of two independently operating, spring loaded cartridge checks with a hydraulically operated differential pressure relief valve located between and below the cartridge checks, required test cocks and optional inlet and outlet resilient seat ball type shut off valves. When normal flow exists, both checks are open and the pressure in the area between the checks, called the zone, is at least 2 PSI lower than the inlet pressure. The differential pressure relief valve is closed during normal flow.

If cessation of normal flow occurs, the differential pressure relief valve will automatically open and discharge to maintain the zone at least 2 PSI lower than the inlet pressure. This action will prevent a backflow or back siphonage condition. After the required differential is established, the differential pressure relief valve again closes.

The cartridge checks include a stainless steel spring and swing poppet, rubber faced disc and a replaceable seat. The body shall be manufactured from 300 stainless steel, lead free through the waterway, with a single access cover. No special tools shall be required for servicing. The relief valve shall be compact with a rolling diaphragm and no sliding seals. The relief valve shall discharge in a 360° radius.

*Contact the factory for specific approvals

Dimensions are subject to manufacturer's tolerance and change without notice. We assume no responsibility for use of superseded or void data.