

Job Name:	
Job Location:	
Engineer:	
Contractor:	
Tag:	
PO#:	
Rep:	
Wholesale Dist.:	

DESCRIPTION

The Apollo® Series FPV Freeze Protection Valve protects backflow preventers from freezing when installed in accordance with manufacturer's instructions. All internal parts of the Freeze Protection Valve are replaceable.

FEATURES

- Corrosion Resistant
- 1/4" MNPT Inlet Port
- Installs Easily on all Backflow Preventers
- Discharge Port Accommodates 5/8" I.D. Hose
- Compact, Patented Design (US # 6,374,849)
- **Made in USA**

APPROVALS

- IAMPO IGC 163-2001r1 (R2013)

PERFORMANCE RATING

- Operating Pressures 20 - 175 psi
- Temperature Range 33°F - 180°F
- Nominal Start to Open Temperature 35 °F

STANDARD MATERIALS LIST

BODY	Bronze (C84400/LF C89836)
CAP	Brass
SPRING GUIDE	Brass
SPRING	Stainless Steel
CAP O-RING	Buna-N
GUIDE O-RING	Buna-N
THERMAL ELEMENT	Copper/Stainless Steel/EPDM

WEIGHTS

MODEL NO.	NET WEIGHT (LB.)
40-000-FPV1	.70
40-000-FPV2	.77

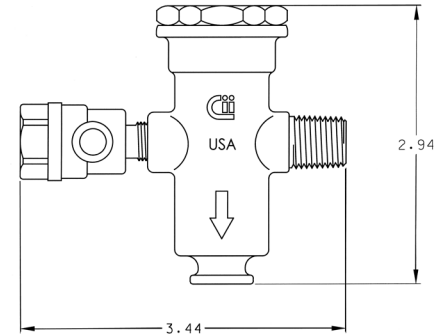
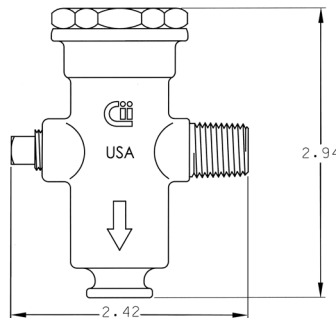
MODEL NUMBERS

MODEL NO.
40-000-FPV1
40-000-FPV2 - w/test cock
40LF-000-FPV1
40LF-000-FPV2F - w/SAE testcock

PART NUMBER MATRIX

40 [X]	000	FPV X
		OPTIONS
40	- STANDARD	1 - W/1/8" NPT PLUG
40LF	- LEAD FREE	2 - W/1/8" MALE X 1/4" FEMALE TEST COCK
		2F - SAE TEST COCK
		R - REPAIR KIT* FOR FPV1 AND FPV2

* Repair kit includes: Thermal element, spring, spring guide, two o-rings (all internal parts)



*LEAD FREE: The wetted surfaces of this product shall contain no more than 0.25% lead by weighted average. Complies with Federal Public Law 111-380. ANSI 3rd party approved and listed.