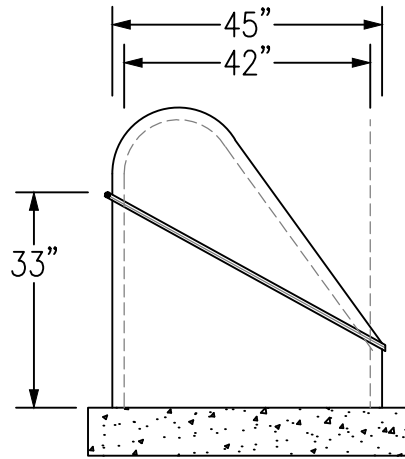
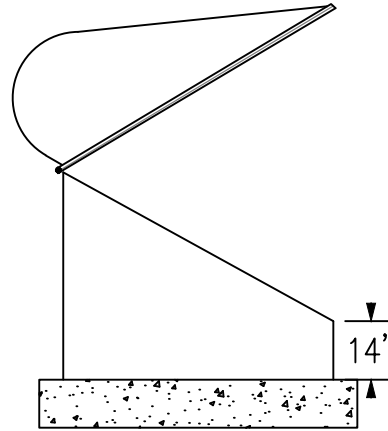


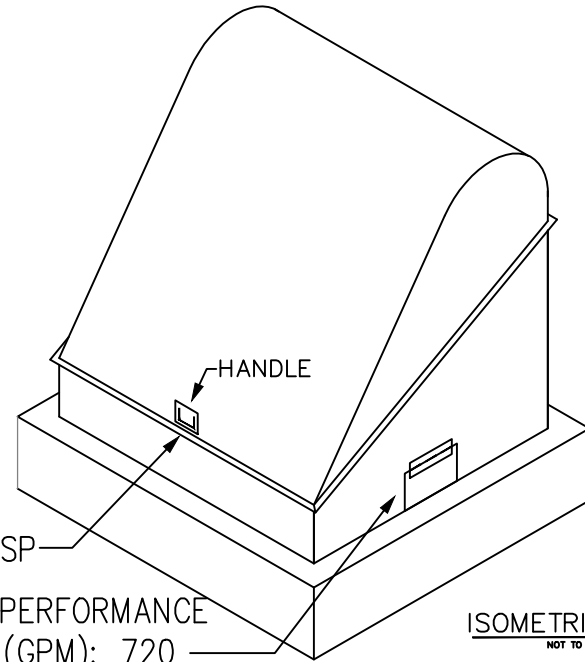
ENGINEERED TO FIT 2½" THROUGH 6" "N" PATTERN BACKFLOW PREVENTION DEVICE INSTALLATIONS



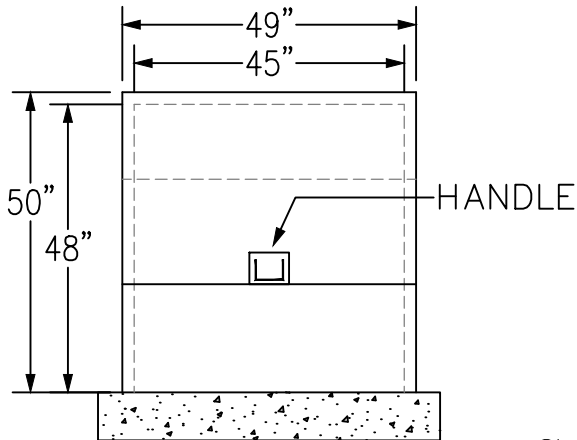
SIDE VIEW  
NOT TO SCALE



SIDE VIEW OPEN  
NOT TO SCALE



ISOMETRIC VIEW  
NOT TO SCALE



FRONT VIEW  
NOT TO SCALE

LOCKING HASP  
DISCHARGE PERFORMANCE  
FLOW RATE (GPM): 720

SLAB OR FOOTER  
RECOMMENDED PAD/FOOTER SIZE:  
LENGTH: 57" x 53"

WEIGHT: 155 LBS

Options:  
 HU-SS HEATER – Internal Heat Source, Damp  
 Location Listed, 120v, 500w or 1000w,  
 Thermostatically Controlled.

ASSE-1060

FIBERGLASS ENCLOSURE  
 MODEL # 45N-APD  
 Submittal Sheet