

MODEL 475ST

Reduced Pressure Principle – Backflow Preventers 4" to 10"



Repair Kit Components		4"						4" and 6"	4" and 8"	6"						6" and 10"	8"	8" and 10"			10"						
Size Range		RK4-350	RK4-375ASTCK1	RK4-375AST-SEATI-ASY	RK4-350AST-SEATZASSY	RK4-450STCK4	RK4-475ST-RVELBOW	RK4-475STR-RVELBOW	BRK4-SSLBF-SEATIRTNR	RK212-RV-ASSY	RK4-RV475ST-HOSE	RK6-350	RK6-375ASTCK1	RK6-450STCK4	RK6-475ST-RVELBOW	RK6-475STR-RVELBOW	BRK6-SSLBF-SEATIRTNR	RK6-RV475ST-HOSE	RK8-475ST-RVELBOW	RK8-475STR-RVELBOW	RK8-350	RK8-450STCK1	RK8-475STCK1	RK8-RV-ASSY	RK10-475ST-RVELBOW	RK10-475STR-RVELBOW	
4"		•	•	•	•	•	•	•	•	•																	
6"												•	•	•	•	•	•										
8"																					•	•	•	•	•	•	•
10"																									•	•	•
Item #	Item Description																										
1	O-Ring, Relief Valve						•	•	•						•	•					•	•			•	•	•
2	Relief Valve Elbow						•	•							•	•					•	•				•	•
3	O-Ring, Relief Valve Elbow						•	•							•	•					•	•				•	•
4	Relief Valve Assembly									•															•		•
5	Bolt, Relief Valve									•(x2)														•(x2)			•
6	Seat Retainer		•			•			•(x6)			•	•				•(x6)										
7	O-Ring, Seat	•(x2)	•			•					•(x2)	•	•								•(x2)	•	•				•
8	Bolt, Poppet Retainer		•(x4)			•(x4)						•(x4)	•(x4)									•(x6)	•(x6)				•
9	Handle, Poppet Assembly		•			•						•	•														•
10	Washer		•(x4)			•(x4)						•(x4)	•(x4)												•(x6)	•(x6)	•
11	O-Ring, Retainer	•(x8)	•(x4)			•(x4)					•(x8)	•(x4)	•(x4)								•(x12)	•(x6)	•(x6)			•	•
12	Poppet Retainer		•			•						•	•												•	•	•
13	Seal Ring	•(x2)	•			•					•(x2)	•	•								•(x2)	•	•				•
14	Seat Assembly, #1 Poppet		•	•								•														•	•
15	Seat Assembly, #2 Poppet					•	•						•												•		•
16	Sensing Tube Fitting								•																	•	•
17	Sensing Tube						•	•							•	•					•	•				•	•
18	Washer, Seat Retainer																								•(x4)	•(x4)	•
19	Nut, Seat Retainer																								•(x4)	•(x4)	•
20	Elbow																										•
21	Nipple																										•
22	Grooved Coupling, Body							•								•											•
	Spool							•								•											•

Whole Goods (Available for individual sale)

Item #	Item Description	4"	6"	8"	10"
23	Gate Valve, NRS (GXG)	4-48G	6-48G	8-48G	10-48G
	Gate Valve, NRS (GXF)	4-48GXF	6-48GXF	8-48GXF	10-48GXF
	Gate Valve, OS&Y (GXG)	4-48OSYG	6-48OSYG	8-48OSYG	10-48OSYG
	Gate Valve, OS&Y (GXF)	4-48OSYGXF	6-48OSYGXF	8-48OSYGXF	10-48OSYGXF
	Butterfly Valve (GXG)	4-49G	6-49G	8-49G	10-49G
	Butterfly Valve (GXF)	4-49GXF	6-49GXF	8-49GXF	10-49GXF
24	Grooved Coupling, Cover	6-23	8-23		
25	Ball Valve, Cover	12-850MXL		34-850MXL	12-23
26	Ball Valve, FxF	12-850XL		34-850XL	
22	Grooved Coupling, Body	4-23	6-23	8-23	10-23
27	Cover	3509ST-3	3510ST-3		3511ST-3

Item No.	Repair Kit Description
RK4-350	Rubber Kit, 4"
RK4-375ASTCK1	#1 Check Assembly Kit, 4"
RK4-375AST-SEATI-ASY	#1 Seat Assembly Kit, 4"
RK4-350AST-SEATZASSY	#2 Seat Assembly Kit, 4"
RK4-450STCK4	#2 Check Assembly Kit, 4"
RK4-475ST-RVELBOW	400STR to Standard Conversion Kit, 4"
RK4-475STR-RVELBOW	Standard to 400STR Conversion Kit, 4"
BRK4-SSLBF-SEATIRTNR	Bulk Seat Retainer Kit, 4"
4" and 6"	
RK212-RV-ASSY	Relief Assembly Kit, 4" and 6"
4" and 8"	
RK4-RV475ST-HOSE	Relief Valve Hose Kit, 4" and 8"

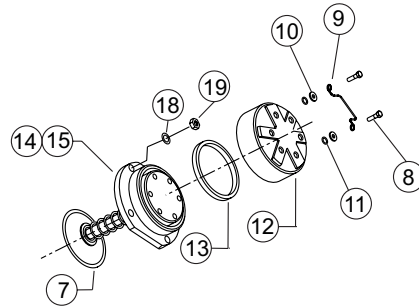
Item No.	Repair Kit Description
RK6-350	Rubber Kit, 6"
RK6-375ASTCK1	#1 Check Assembly Kit, 6"
RK6-450STCK4	#2 Check Assembly Kit, 6"
RK6-475ST-RVELBOW	400STR to Standard Conversion Kit, 6"
RK6-475STR-RVELBOW	Standard to 400STR Conversion Kit, 6"
BRK6-SSLBF-SEATIRTNR	Bulk Seat Retainer Kit, 6"
6" and 10"	
RK6-RV475ST-HOSE	Relief Valve Hose Kit, 6" and 10"
8"	
RK8-475ST-RVELBOW	400STR to Standard Conversion Kit, 8"
RK8-475STR-RVELBOW	Standard to 400STR Conversion Kit, 8"

Item No.	Repair Kit Description
8" and 10"	
RK8-350	Rubber Kit, 8" and 10"
RK8-475STCK1	#1 Check Assembly Kit, 8" and 10"
RK8-450STCK1	#2 Check Assembly Kit, 8" and 10"
RK8-RV-ASSY	Relief Assembly Kit, 8" and 10"
10"	
RK10-475ST-RVELBOW	400STR to Standard Conversion Kit, 10"
RK10-475STR-RVELBOW	Standard to 400STR Conversion Kit, 10"

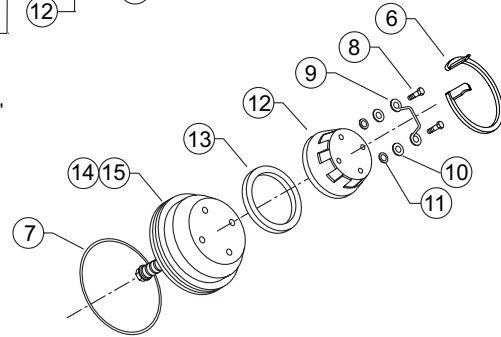
MODEL 475ST

Reduced Pressure Principle – Backflow Preventers 4" to 10"

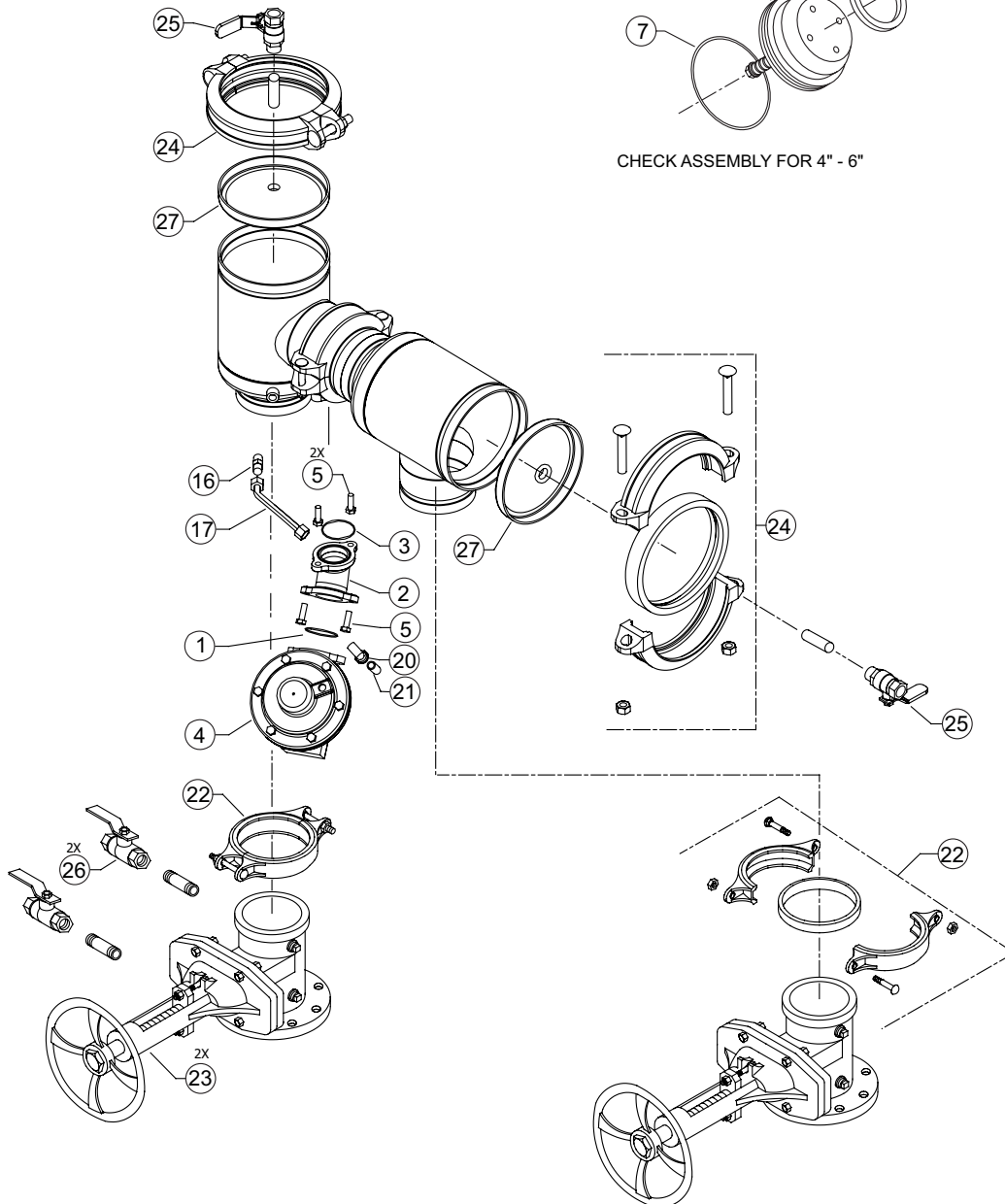
Parts Drawing



CHECK ASSEMBLY FOR 8" - 10"



CHECK ASSEMBLY FOR 4" - 6"



RELIEF VALVE - 2-1/2" to 10"

Models 375, 375A, 375AST, 475 and 475V



Repair Kit Components		2-1/2" - 6"					8" and 10"			
Item #	Item Description	RK212-375	RK212-375R	RK212-375RVCI	RK212-RV-COVER	RK212-RV-PLUNGER	RK8-375	RK8-375R	RK8-375RVCI	RK8-RV-COVER
1	Bolt, Cover				● (x6)					● (x6)
2	Cover				●					●
3	O-Ring, Upper Plunger	●	●	●			●	●	●	
4	Upper Plunger			●		●			●	
5	Diaphragm	●	●	●			●	●	●	
6	Lower Plunger			●		●			●	
7	Seal Ring	●	●	●			●	●	●	
8	Seal Retainer			●					●	
9	Washer			●					●	
10	Bolt			●					●	
11	Relief Valve Spring	●		●			●		●	
12	Relief Valve Seat			●					●	
13	O-Ring, Relief Valve Seat	●	●	●		●	●	●	●	
14	O-Ring, Relief Valve	●	●	●			●	●	●	
	Sensing Tube Fitting				●					●

Item No.	Repair Kit Description
2-1/2" - 6"	
RK212-375	Complete Relief Valve Repair Kit, 2-1/2" - 6"
RK212-375R	Relief Valve Rubber Repair Kit, 2-1/2" - 6"
RK212-375RVCI	Relief Valve Complete Internals Repair Kit, 2-1/2" - 6"
RK212-RV-COVER	Relief Valve Cover Repair Kit 2-1/2" - 6"
RK212-RV-PLUNGER	Relief Valve Plunger Repair Kit 2-1/2" - 6"
8" and 10"	
RK8-375	Complete Relief Valve Repair Kit, 8" and 10"
RK8-375R	Relief Valve Rubber Repair Kit, 8" and 10"
RK8-375RVCI	Relief Valve Complete Internals Repair Kit, 8" and 10"
RK8-RV-COVER	Relief Valve Cover Repair Kit 8" and 10"

RELIEF VALVE - 2-1/2" to 10"

Models 375, 375A, 375AST, 475 and 475V

Parts Drawing

