

5001SS

APPLICATION

The Ames 5001SS Reduced Pressure Detector Assembly provides maximum protection to the potable water system by preventing backflow or backsiphonage from the fire protection system containing substances. The 5001SS also detects leaks or unauthorized usage of water from fire protection lines.

INSTALLATION

The 5001SS is designed to be installed in a horizontal position (device not shown). The 5001SSN and 5001SSZ may be installed in confined areas where space is limited. Refer to local codes for specific installation requirements.

SPECIFICATIONS

The reduced pressure detector assembly shall consist of two independently operated spring loaded cam-checks, required test cocks, bypass meter, assembly and inlet and outlet resilient seat shut off valves. When normal flow exists, both checks are open and the pressure in the area between the checks, called the zone is at least 2PSI lower than the inlet pressure. The differential pressure relief valve is closed during normal flow.

NATIONAL APPROVALS

Contact the Ames factory for specific approvals.

Reduced Pressure Detector Assembly



5001SSN



5001SSZ

Features

- Detects leaks or unauthorized use of water
- 60% lighter and 40% shorter than other manufacturer's assembly
- Stainless steel, one-piece body is lead free, requires no coatings
- Dia-Seal™ Relief Valve assembly improves performance, utilizes fewer parts, reduces maintenance time and cost
- Lowest documented flow loss in the industry
- Enhanced cam-check assembly utilizes a spring-loaded center-loaded check to radically improve seating consistency and reduce replacement part costs
- Flanged, in-line "N" & "Z" configurations
- Excellent for retrofit

Physical Characteristics

- Sizes: 3", 4" & 6"
- Rated working pressure: 175psi
- Temperature range: 32° F to 140° F
- Flange dimension in accordance with AWWA Class D
- All internal metal parts: 300 series stainless steel
- Construction: 300 series stainless steel

AMES
CO.

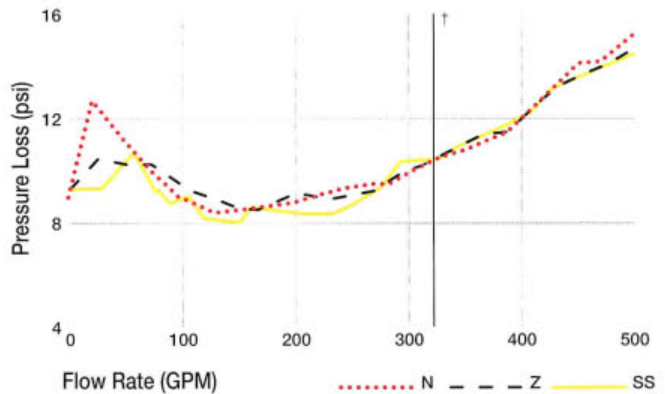
FLUID CONTROL SYSTEMS
A Division of Watts Industries, Inc.

SILVER BULLET
next generation

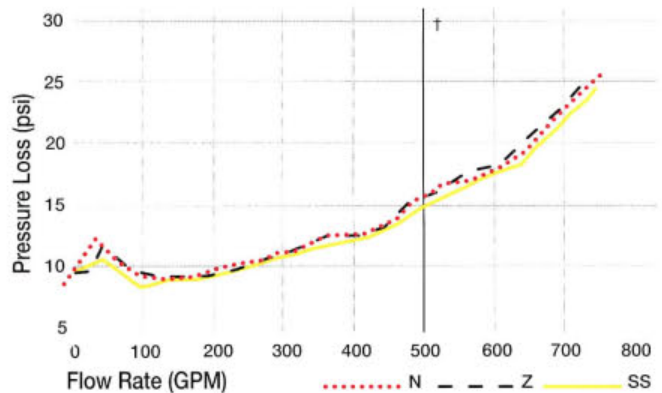
5001SS

Reduced Pressure Detector Assembly

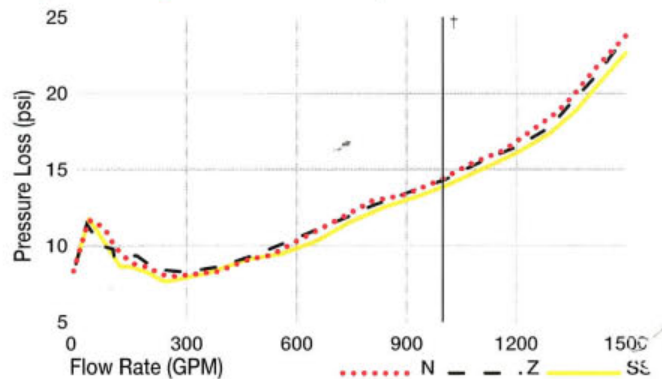
3" Documented Flow Characteristics (including Shut-off Valves)



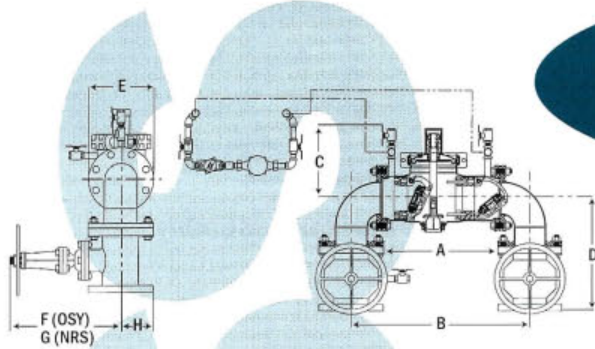
4" Documented Flow Characteristics (including Shut-off Valves)



6" Documented Flow Characteristics (including Shut-off Valves)



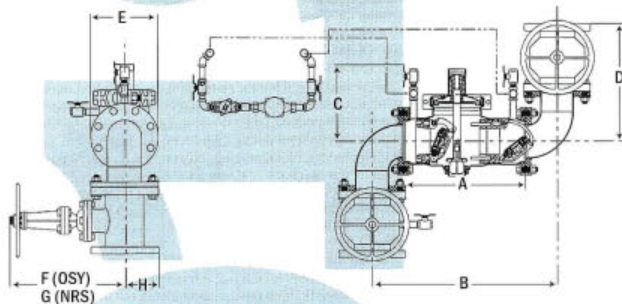
*Approximate head loss at the UL rated flow.



5001SSN with NRS/OSY Gates

Size in.	A in.	B in.	C in.	D in.	E in.	F in.	G in.	H in.	Weight	Weight
									w/gates*	w/o gates
									lbs.	lbs.
3	20	29-5/8	13-1/4	12-13/16	7-1/2	18-7/8	12-3/8	3-3/4	241	94
4	16-1/2	25-1/8	13-1/4	15-13/16	9	22-3/4	14-3/4	4-1/2	323	110
6	22-1/2	35-1/8	15	18-5/16	11	30-1/8	19	5-1/2	503	182

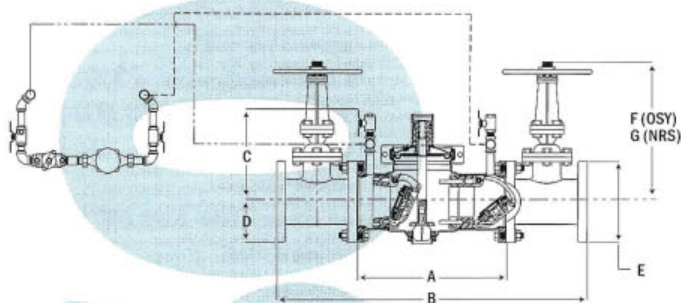
*Includes elbows



5001SSZ with NRS/OSY Gates

Size in.	A in.	B in.	C in.	D in.	E in.	F in.	G in.	H in.	Weight	Weight
									w/gates*	w/o gates
									lbs.	lbs.
3	20	29-5/8	13-1/4	12-13/16	7-1/2	18-7/8	12-3/8	3-3/4	241	94
4	16-1/2	25-1/8	13-1/4	15-13/16	9	22-3/4	14-3/4	4-1/2	323	110
6	22-1/2	35-1/8	15	18-5/16	11	30-1/8	19	5-1/2	503	182

*Includes elbows



5001SS with NRS/OSY Gates

Size in.	A in.	B in.	C in.	D in.	E in.	F in.	G in.	H in.	Weight	Weight
									w/gates*	w/o gates
									lbs.	lbs.
3	20	36-1/8	13-1/4	3-3/4	7-1/2	18-7/8	12-3/8	-	205	58
4	16-1/2	34-5/8	13-1/4	4-1/2	9	22-3/4	14-3/4	-	270	57
6	22-1/2	43-5/8	15	5-1/2	11	30-1/8	19	-	420	99

AMES
CO.
FLUID CONTROL SYSTEMS
A Division of Watts Industries, Inc.

SILVER BULLET
next generation

530-666-2493 • 1485 Tanforan Avenue • Woodland, CA 95776 • FAX 530-666-3914

M82-119 7/00