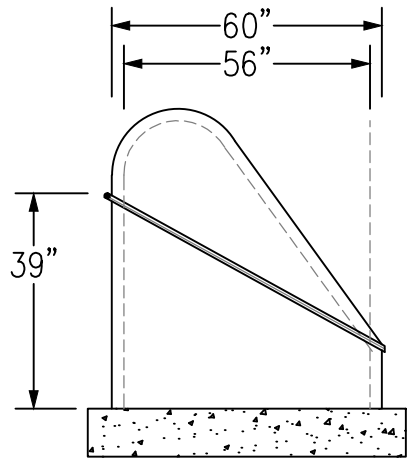
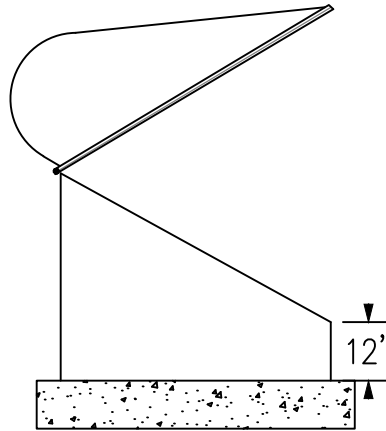


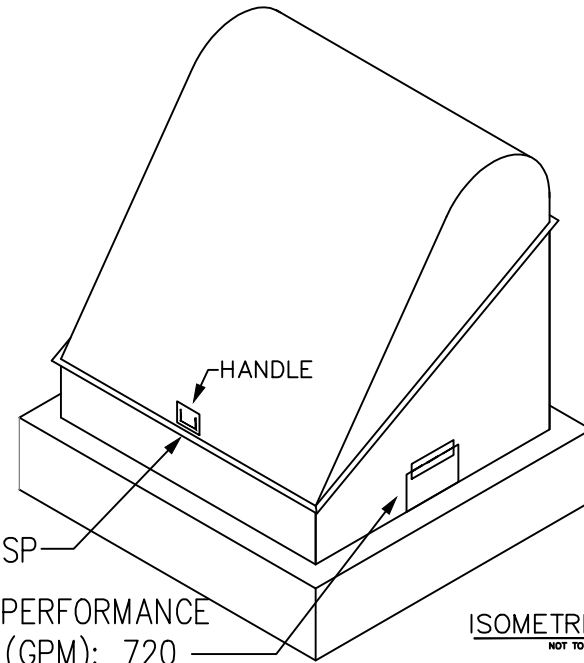
ENGINEERED TO FIT 6" THROUGH 10" "N" PATTERN BACKFLOW PREVENTION DEVICE INSTALLATIONS



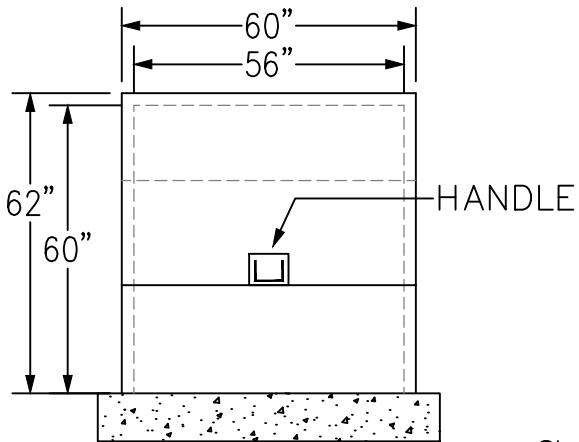
SIDE VIEW
NOT TO SCALE



SIDE VIEW OPEN
NOT TO SCALE



ISOMETRIC VIEW
NOT TO SCALE



FRONT VIEW
NOT TO SCALE

LOCKING HASP
DISCHARGE PERFORMANCE
FLOW RATE (GPM): 720

SLAB OR FOOTER
RECOMMENDED PAD/FOOTER SIZE:
LENGTH: 68" x 68"

WEIGHT: 205 LBS

Options:

- HU-SS HEATER – Internal Heat Source, Damp Location Listed, 120v, 500w or 1000w, Thermostatically Controlled.

ASSE-1060

FIBERGLASS ENCLOSURE
MODEL # 56N-APD
Submittal Sheet