

WILKINS



a step ahead of tomorrow
ZURN INDUSTRIES, INC.

MODEL 575

Reduced Pressure Principle
Backflow Preventers

Sizes 3/4", 1", 1 1/4", 1 1/2" & 2"



FEATURES

LOW HEAD LOSS

Lowest in industry

LOW MAINTENANCE COSTS

No special tools required to service units
Few moving parts
In-line serviceability

CAST BRONZE MAINCASE

Sturdy, durable, corrosion resistant

POPPET TYPE CHECK VALVES

Independently operated
Stainless steel springs

HYDRAULICALLY ACTUATED RELIEF VALVE

Bronze body, corrosion resistant

COMPACT SIZE

Easy to install

PERFORMANCE

WILKINS Model 575 Reduced Pressure Principle Backflow Preventer meets or exceeds the requirements for flow rates and head loss of AWWA, FCCCHR at U.S.C., IAPMO (UPC)[®], ASSE, CSA. Consult your local WILKINS representative or factory for other state, county or city acceptances.



APPLICATION

The WILKINS Model 575 Reduced Pressure Principle Backflow Preventer has been designed for installation in potable water lines where potential health hazards exist.

WILKINS' low head loss makes the device most suitable where system pressures are low or where it is important to hold pressure loss to a minimum.

NOTICE

Proper performance is dependent upon the user adhering to recommended installation procedures and by having licensed, qualified personnel perform regular, periodic inspection and maintenance. For proper installation, consult WILKINS' installation and maintenance manual and prevailing governmental and local codes.

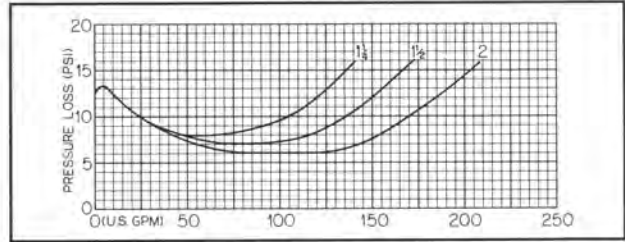
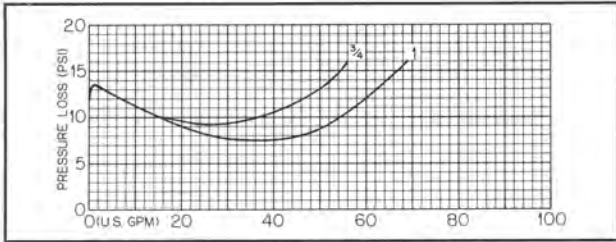
Two shut-off valves and four test cocks are provided for testing and maintenance. All Model 575 Reduced Pressure Principle Backflow Assemblies can be disassembled and repaired without removing the device from the line.

Damage to the device could result whenever water hammer and/or thermal expansion could cause excessive line pressure. Where this could occur, a spring check, shock arrestor and/or pressure relief valve should be installed downstream of the device.

WARRANTY

WILKINS Backflow Preventers are warranted against defects in material and workmanship for a period of one year from date of shipment strictly in accordance with WILKINS' Certificate of Limited Warranty.

SPECIFICATIONS



PURPOSE

The WILKINS Model 575 Reduced Pressure Principle Backflow Preventer consists of a main body with two check valves and a connecting external pressure differential relief valve located between the two check valves. The check valves are spring loaded and operate independently. The relief valve functions automatically by sensing the pressure differential across the first check valve and discharging the backflow to atmosphere in the event a check valve becomes damaged or fouled.

MATERIALS

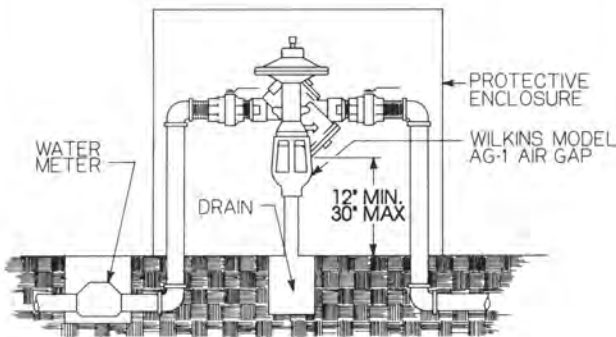
All corrosion resistant
 Cast bronze maincase
 Stainless steel springs
 Rubber check valve discs
 Cast bronze relief valve body
 Stainless steel bolts

PRESSURE-TEMPERATURE

Suitable for supply pressure up to 150 PSI and water temperatures from 33°F to 140°F.

TYPICAL INSTALLATION

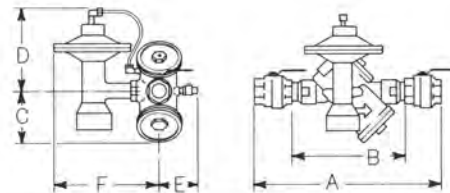
Install with minimum clearance of 12" from floor or grade.
 Install with adequate side clearance for testing and maintenance.
 Protect from freezing.
 Do not install in pit or vault.



OPTIONS

Suffix (options can be combined)
 B - with full port resilient seated ball valves
 S - with bronze "Y" strainer
 U - with union connections
 L - without shut-off valves

DIMENSIONS & WEIGHTS



MODEL SIZE	DIMENSIONS (INCHES)								WEIGHT (LBS)			
	A Ball Valves	A Gate Valves	A Double Union Ball Valves	B Less Stop Valves	C	D	E	F	Less Stop Valves	With Gates	With Ball Valves	Double Union w/ Ball Valves
3/4	13.75	12.25	15.12	8.5	3.5	5.75	3	7	15	16.5	16.5	19.44
1	14.75	12.75	16.12	8.5	3.5	5.75	3	7	15	17.5	18	20.63
1 1/4	19.25	16.75	N/A	12	4.7	5	3.5	7.25	22	26	26.5	N/A
1 1/2	19.75	16.75	21.25	12	4.7	5	3.5	7.25	22	26.5	28.5	28.6
2	21	16.75	22.25	12	4.7	5	3.5	7.25	22	28.5	33	33.2



- PRESSURE REDUCING VALVES • BACKFLOW PREVENTERS
- TEMPERATURE AND/OR PRESSURE RELIEF VALVES
- BALL VALVES • IRRIGATION VALVES • DIELECTRIC UNIONS
- "Y" STRAINERS

PERFORMANCE UNDER PRESSURE

WILKINS

REGULATOR DIVISION

1747 Commerce Way, Paso Robles, CA 93446-3696
 PHONE: 805/238-7100 FAX: 805/238-5766