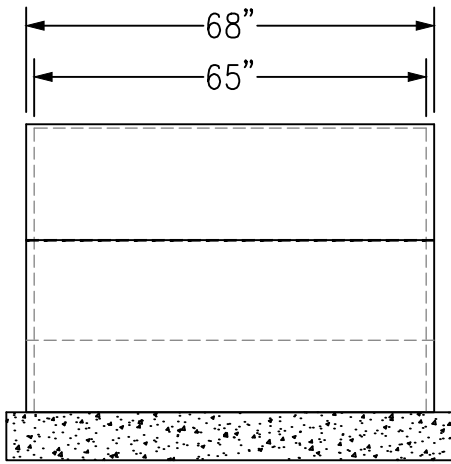
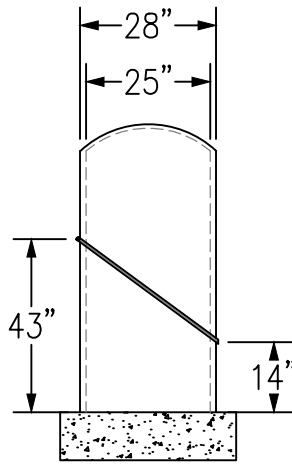


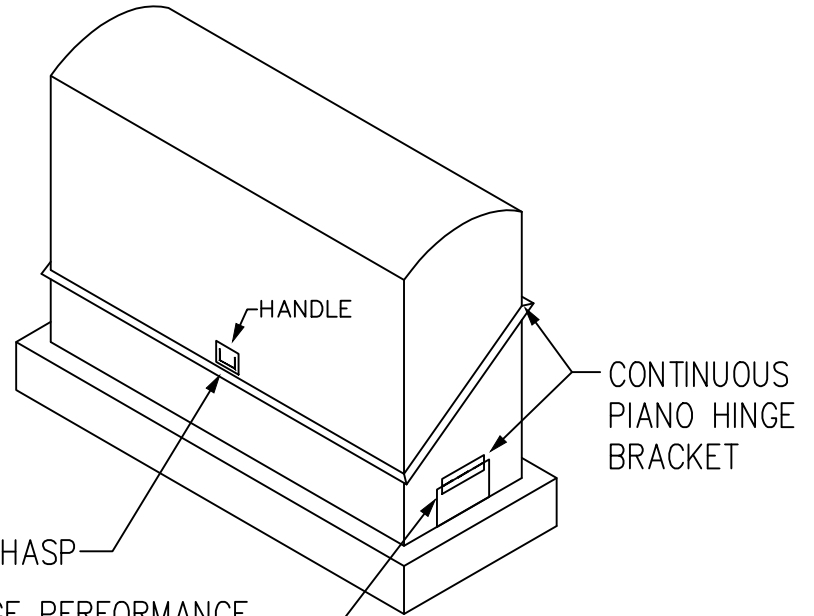
ENGINEERED TO FIT 2½" THROUGH 4" BACKFLOW PREVENTION DEVICE INSTALLATIONS



BACK VIEW
NOT TO SCALE

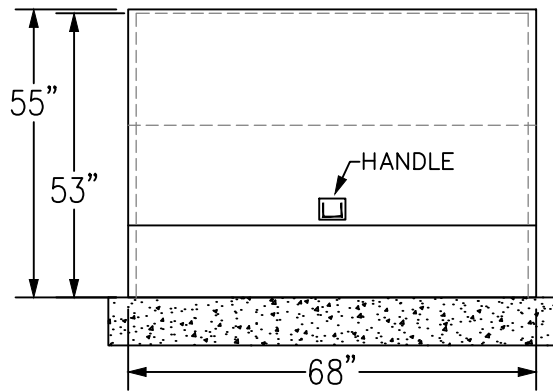


SIDE VIEW
NOT TO SCALE



LOCKING HASP
DISCHARGE PERFORMANCE
FLOW RATE (GPM): 720

ISOMETRIC VIEW
NOT TO SCALE



FRONT VIEW
NOT TO SCALE

SLAB OR FOOTER
RECOMMENDED PAD/FOOTER SIZE:
LENGTH: 76" x 36"

WEIGHT: 160 LBS

Options:

- HU-SS HEATER – Internal Heat Source, Damp Location Listed, 120v, 500w or 1000w, Thermostatically Controlled.

ASSE-1060

FIBERGLASS ENCLOSURE
MODEL # 65-APD
Submittal Sheet