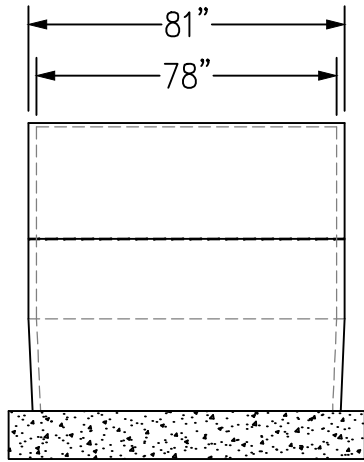
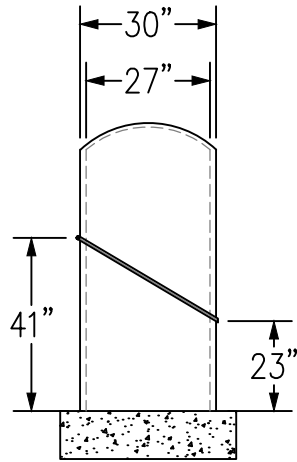


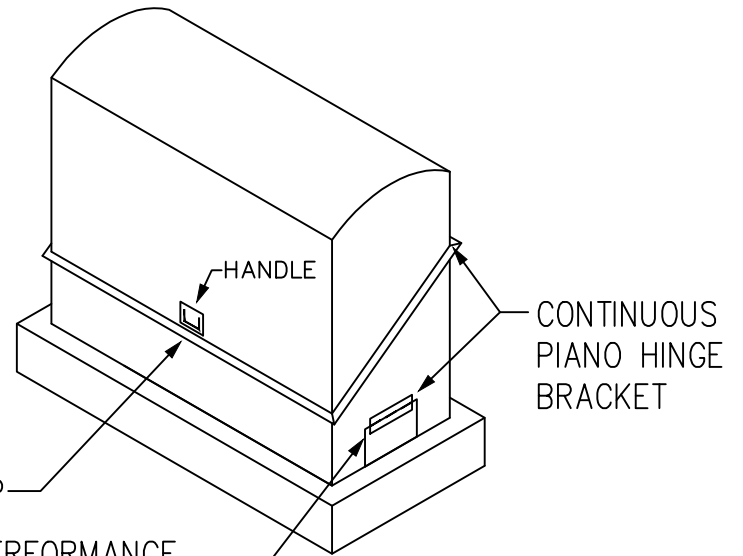
ENGINEERED TO FIT 4" THROUGH 6" BACKFLOW PREVENTION DEVICE INSTALLATIONS



BACK VIEW
NOT TO SCALE



SIDE VIEW
NOT TO SCALE

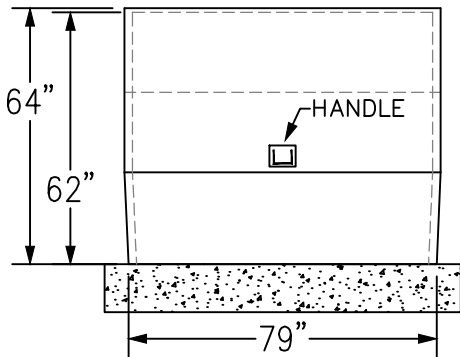


LOCKING HASP

DISCHARGE PERFORMANCE
FLOW RATE (GPM): 720

ISOMETRIC VIEW
NOT TO SCALE

CONTINUOUS
PIANO HINGE
BRACKET



FRONT VIEW
NOT TO SCALE

SLAB OR FOOTER
RECOMMENDED PAD/FOOTER SIZE:
LENGTH: 88" x 38"

WEIGHT: 195 LBS

Options:

- HU-SS HEATER – Internal Heat Source, Damp Location Listed, 120v, 500w or 1000w, Thermostatically Controlled.

ASSE-1060

FIBERGLASS ENCLOSURE
MODEL # 78-APD
Submittal Sheet