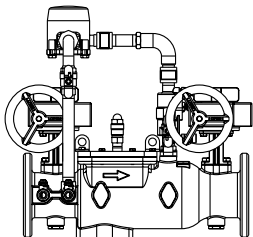


SPECIFICATION SHEET MODEL 831 (2 1/2" - 10")



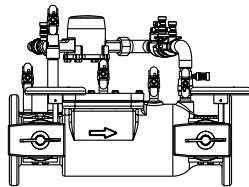
DOUBLE CHECK DETECTOR ASSEMBLY

Model 831
2 1/2", 3", 6", 8", 10"



Patent Pending

Model 831H
4"



Patent Pending

Application

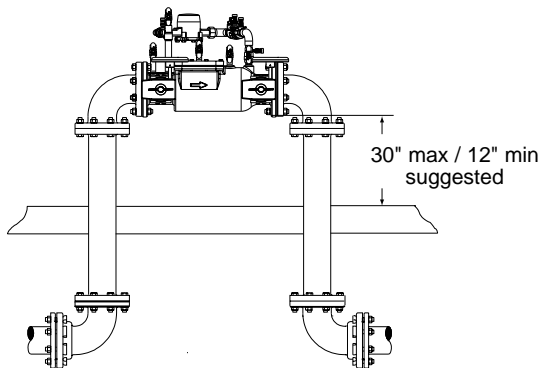
The new **MicroSeries Model 831 Double Check Detector** with integral butterfly shut-offs is very compact and has modular checks for ease of service. It is used in non-health hazard (nontoxic) connections including fire sprinkler and standpipe systems requiring detection of unauthorized water use.

Features

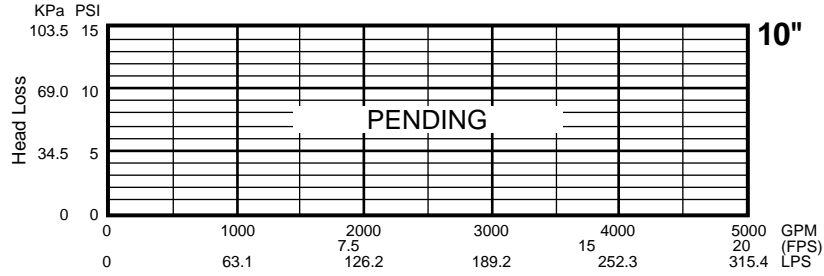
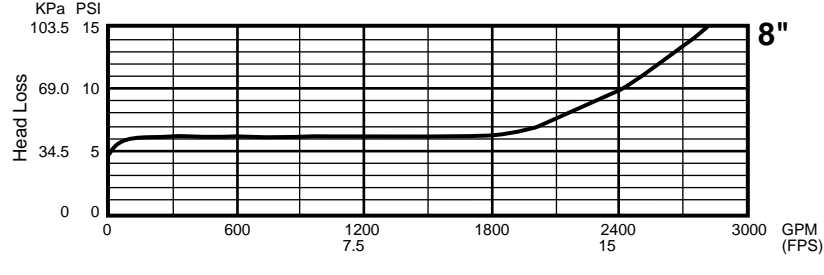
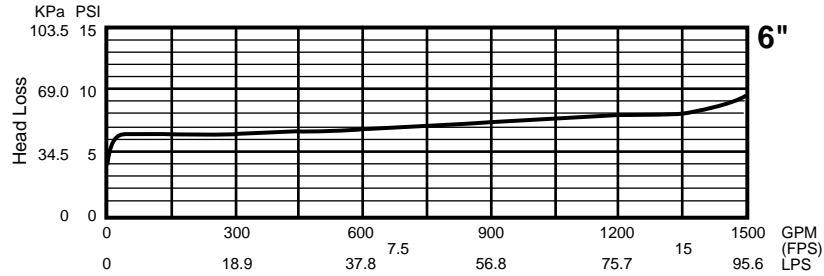
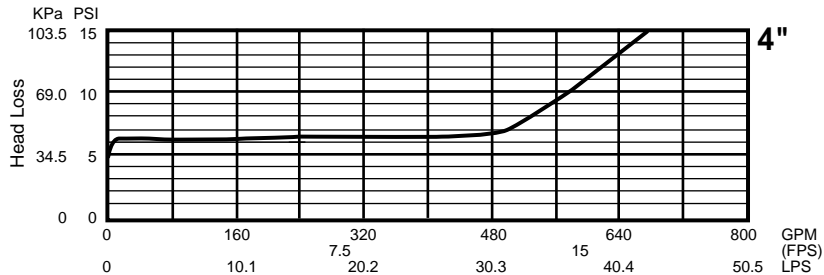
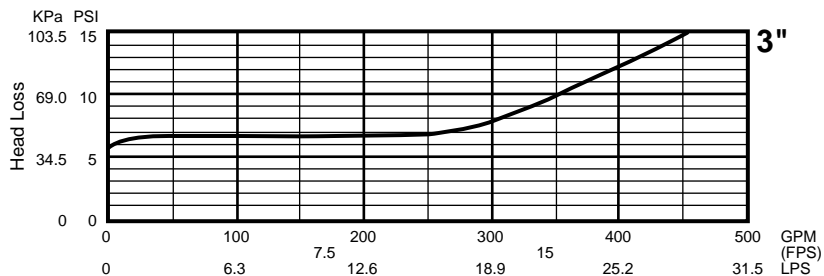
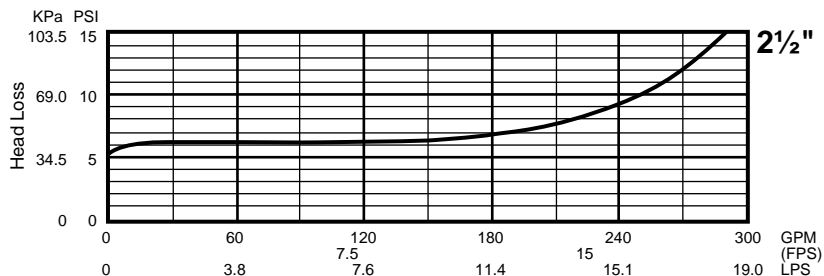
- Short lay length
- Integral butterfly shut-offs
- Low head loss
- Light weight
- Low Lead
- Modular check design
- Easy to service and install
- Top entry and upward facing testcocks for ease of testing and maintenance

Installation

FEBCO Model 831
Outdoor Horizontal Installation

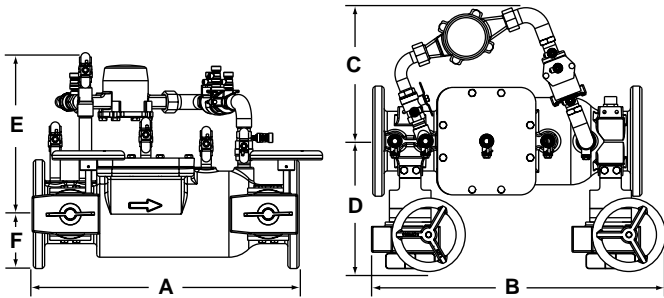


Model 831 Flow Curves

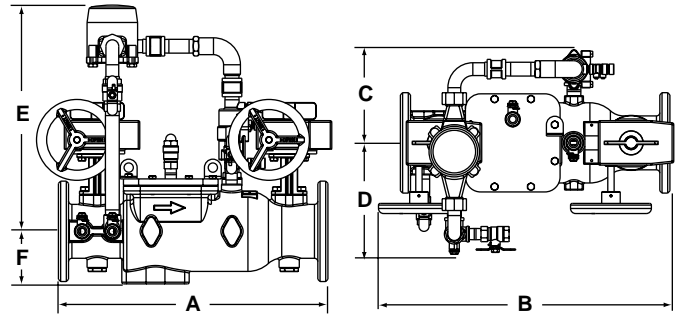


Dimensions and Weights

4" Model 831H



2 1/2", 3", 6", 8", 10" Model 831



Characteristics and Materials

Maximum Working Pressure:	175 PSI (1200 KPa)
Hydrostatic Test Pressure:	350 PSI (2400 KPa)
Temperature Range:	32°F to 140°F (0°C to 60°C)
Fluid:	Water
End Detail:	Flanged ANSI B16.1 Class 125 Din PN-16 AS 2129 Style "E" (optional) Groove per AWWA C606 steelpipe size
Main Valve Body:	Ductile iron ASTM A-536 grade 65-45-12
Main Valve Trim:	Stainless steel
Internal Check Modules:	Stainless steel
Elastomers:	Silicone rubber
Springs:	Stainless steel
Shut-Off Valves:	Rubber seated internal butterfly valves, gear with tamper switch
Coating:	Fusion epoxy coated internal and external, AWWA C550-90.

Agency Compliance

- Contact factory or go to www.FEBCOonline.com for approval updates.

Options

- Gear Operator
- Gear Operator with Tamper Switch

U.S. – INCHES							Weight
Size	A	B	C	D	E	F	(lbs.)
2 1/2"	20	22	7	8 1/4	17 1/4	4	126
3"	20	22	7	8 1/4	17 1/4	4	126
4"	22	24	10 7/8	10 5/8	13 1/4	4 1/2	171
6"	27 1/2	32	11 1/2	8 1/2	16 1/4	6 1/2	253
8"	34	35	7 5/9	13 7/8	15 3/5	8	385
10"	Pending						

MM – METRIC							Weight
Size	A	B	C	D	E	F	(kgs.)
65	508.0	558.8	177.8	209.6	438.2	101.6	57
80	508.0	558.8	177.8	209.6	438.2	101.6	57
100	558.8	609.6	275.6	270.5	336.6	114.3	73
150	698.5	814.1	292	213.6	409.8	165.1	115
200	863.6	887.9	191.7	352.5	395.9	203.2	175
250	Pending						

Weights shown are approximate.

Dimensions shown are nominal, allowances must be made for normal manufacturing tolerances.

FEBCO Backflow Prevention

P.O. Box 8070 • Fresno, CA 93747-8070
559 252-0791 • Fax: 559 453-9030 • www.cmb-ind.com • FEBCOonline.com