



Job Name:	
Job Location:	
Engineer:	
Contractor:	
Tag:	
PO#:	
Rep:	
Wholesale Dist.:	

DESCRIPTION

The Apollo International™ 94ALF-A Lead Free* Forged Brass Ball Valve combines reliable operation with maximum economy. Featuring multi-agency approvals, the 94ALF-A is ideal for gas, fuels, fire protection and general plumbing and HVAC applications including potable water. Valves are ANSI 3rd party lead free* certified.

FEATURES

- EZ Solder™ Lead Free Materials**
- Distinctive White "Lead Free" Handle Grip
- 2-Piece, Full Port Design
- Blowout-Proof Stem
- 100% Factory Testing
- Adjustable Stem Packing Nut
- Multiple Agency Approvals
- Stem Seal O-Ring (Solder Version 1/2" - 2")

PERFORMANCE RATING

- 600 CWP - 1/4" to 2"
- 400 CWP - 2-1/2" to 4"
- Temperature Range: 0°F to 400°F

APPROVALS

- MSS SP-110 - Ball Valves
- NSF/ANSI 61 Water Quality
- NSF/ANSI 372 Lead Free
- IAPMO IGC 157 (cUPC)

CSA LISTED

- (File # 226234) per the following standards:
- ANSI Z21.15 (1/2 psi) (CSA 9.1) (1/4" - 2")
- ASME B16.44 (5 psi) (CR91-002) (1/4" - 2")
- ASME B16.33 (125 psi) (CGA 3.16) (1/4" - 2")

UL LISTED

- Guides YQNZ, YRBX, YRPV, YSDT and MHKZ (1/4" - 4" NPT only)
- UL 258 - VQGU Fire Protection Trim & Drain 175psi max (1/4" - 2")

FM LISTED

- FM 1140 Fire Protection Quick Opening Valves

*Gas approvals apply to NPT models only

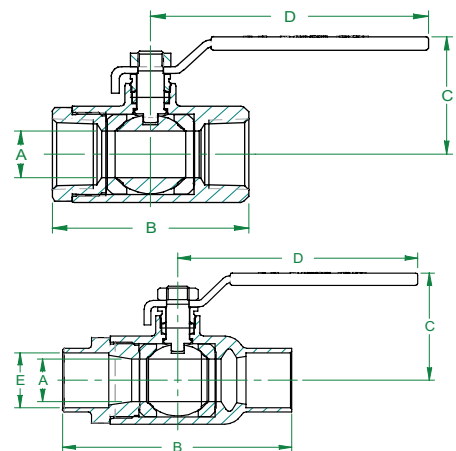
STANDARD MATERIALS LIST

BODY	Lead Free Brass (DZR)
RETAINER	Lead Free Brass (DZR)
BALL 1/4" - 1"	Lead Free Brass (DZR), Chr. Plated
BALL 1-1/4" - 4"	SS Type 316
STEM	Brass C36000
STEM SEAL/O-RING	EPDM
SEATS	PTFE
STEM PACKING	PTFE
GLAND NUT	Brass, C37700
SEAL	PTFE
HANDLE	Steel, Plated (with PVC grip)
HANDLE NUT	Steel, Plated

**94ALF-2xx intended for soft solder installation using solders with melting temperature < 500°F.

DIMENSIONS

PART NUMBER	SIZE (IN.)	DIMENSIONS (IN.)					WT. (LB.)	KIT OPTIONS	
		A	B	C	D	E		2-1/4" STEM EXTENSION + MEMORY STOP	REPLACEMENT LEVER HANDLES
NPT									
94ALF-101-01A	1/4"	0.39	1.76	1.73	3.54	-	0.3	78217101	W234700
94ALF-102-01A	3/8"	0.39	1.76	1.73	3.54	-	0.3		
94ALF-103-01A	1/2"	0.58	2.05	2.04	3.54	-	0.4	78217201	W234800
94ALF-104-01A	3/4"	0.75	2.36	2.26	3.78	-	0.7	78217301	W234900
94ALF-105-01A	1"	0.95	2.76	2.58	4.53	-	1.1	78217401	W235000
94ALF-106-01A	1-1/4"	1.26	3.31	3.05	4.53	-	1.6	78217501	W235100
94ALF-107-01A	1-1/2"	1.58	3.66	3.37	5.51	-	2.4	78217601	W235200
94ALF-108-01A	2"	1.97	4.18	3.70	6.30	-	3.4		W283000
94ALF-109-01A	2-1/2"	2.52	5.38	4.65	8.66	-	7.6	78217701	W235300
94ALF-100-01A	3"	2.95	6.04	4.97	8.66	-	9.3		
94ALF-10A-01A	4"	3.95	7.39	6.13	11.02	-	16.9	78217801	W273800
SOLDER									
94ALF-203-01A	1/2"	0.58	2.05	1.84	3.54	0.63	0.4	78217201	W234800
94ALF-204-01A	3/4"	0.75	2.75	2.14	3.78	0.88	0.7	78217301	W234900
94ALF-205-01A	1"	0.95	3.31	2.45	4.53	1.13	1.1	78217401	W235000
94ALF-206-01A	1-1/4"	1.26	3.82	3.04	4.53	1.38	1.4	78217501	W235100
94ALF-207-01A	1-1/2"	1.58	4.43	3.17	5.51	1.63	2.2	78217601	W235200
94ALF-208-01A	2"	1.97	5.38	3.49	6.30	2.13	3.0		W283000
94ALF-209-01A	2-1/2"	2.52	6.28	4.66	8.66	2.63	6.4	78217701	W235300
94ALF-200-01A	3"	2.95	7.15	4.87	8.66	3.13	8.5		
94ALF-20A-01A	4"	3.95	9.28	5.87	11.02	4.13	15.8	78217801	W273800



*LEAD FREE: The wetted surfaces of this product shall contain no more than 0.25% lead by weighted average. Complies with Federal Public Law 111-380. ANSI 3rd party approved and listed.