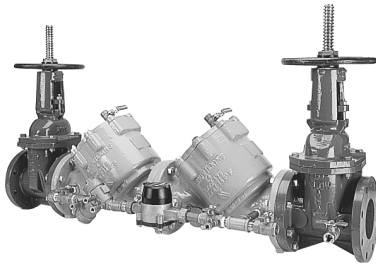


SPECIFICATION SUBMITTAL SHEET



FEATURES

Sizes: 2½" 3" 8" 10"

Maximum working water pressure	175 PSI
Maximum working water temperature	140°F
Hydrostatic test pressure	350 PSI
End connections Flanged	ANSI B16.1 Class 125

OPTIONS

(Suffixes can be combined)

- with OS & Y gate valves (standard)
- G - with groove end OS&Y gate valves
- L - less shut-off valves
- LM - less water meter
- with remote reading meter
- with gpm meter (standard)
- with cu ft/min meter

ACCESSORIES

- Repair kit (rubber only)
- Thermal expansion tank (Model WXTP)
- Gate valve tamper switch (OSY-40)

APPLICATION

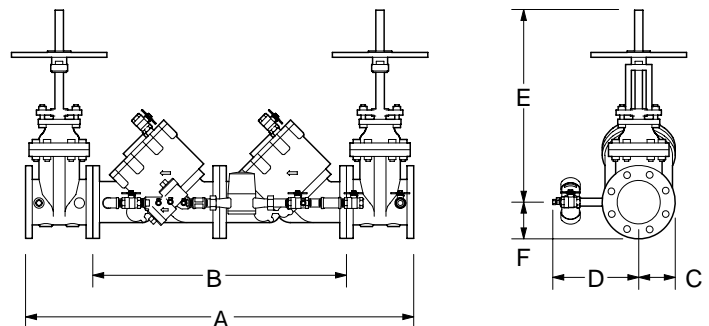
Designed for installation on potable water fire protection lines to protect against both backsiphonage and backpressure of polluted water into the potable water supply. Assembly shall provide protection where a potential health hazard does not exist.

STANDARDS COMPLIANCE

- ASSE® Listed 1048 (Horizontal and Vertical Flow-Up)
- AWWA Compliant C510 (Horizontal & Vertical Flow-Up)
- UL® Classified (Horizontal)
- C-UL® Classified (Horizontal)
- CSA® Certified (Horizontal and Vertical Flow-Up)
- FM® Approved (Horizontal and Vertical Flow-Up)
- Approved by the Foundation for Cross Connection Control and Hydraulic Research at the University of Southern California (Horizontal and Vertical Flow-Up, except 10" vertical)

MATERIALS

Main valve body	Cast Iron ASTM A126 Class B
Access covers	Cast Iron ASTM A126 Class B
Coatings	FDA Approved Epoxy finish
Internals	Stainless Steel, 300 Series Cast Bronze ASTM B 584
Elastomers	EPDM (FDA approved) Buna Nitrile (FDA approved)
Polymers	Delrin™, NSF Listed
Springs	Stainless steel, 300 series

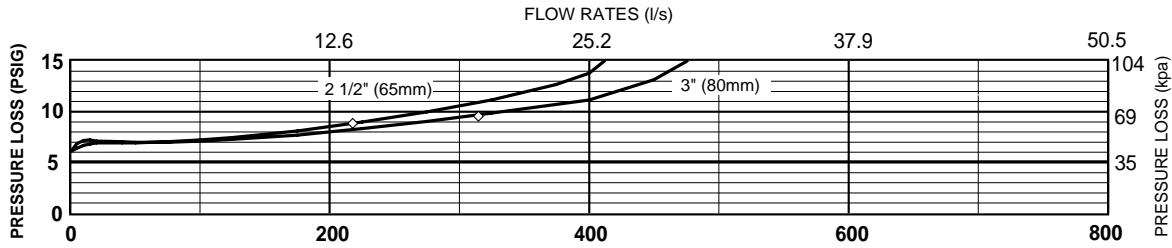


DIMENSIONS & WEIGHTS (do not include pkg.)

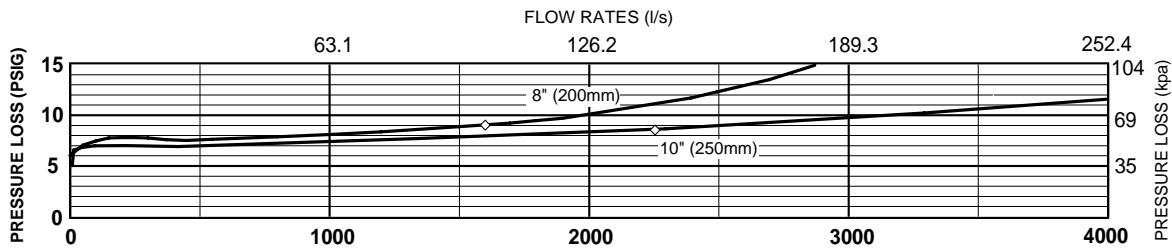
MODEL SIZE	DIMENSIONS (approximate)															WEIGHT			
	A		B WITHOUT GATE VALVES		C		D		E OS&Y GATE VALVES OPEN		E OS&Y GATE VALVES		F		WITHOUT GATE VALVES		WITH OS&Y GATE VALVES		
	in.	mm	in.	mm	in.	mm	in.	mm	in.	mm	in.	mm	in.	mm	lbs.	kg	lbs.	kg	
2 1/2	65	37 1/8	943	22	559	4	102	10	254	16 3/8	416	13 7/8	352	4	102	101	45.9	211	95.8
3	80	38 1/8	968	22	559	4	102	10	254	18 7/8	479	15 5/8	397	4	102	101	45.9	231	104.9
8	200	71 1/8	1807	48	1219	7 1/2	191	16	406	37 3/4	959	29 1/4	743	7 1/2	191	847	384.5	1323	600.6
10	250	84 1/8	2137	58	1473	9	229	18	457	45 3/4	1162	35 3/8	899	9	229	1410	640.1	2228	1011.5

FLOW CHARACTERISTICS

MODEL 950DA 2 1/2" & 3" (STANDARD & METRIC)



MODEL 950DA 8" & 10" (STANDARD & METRIC)

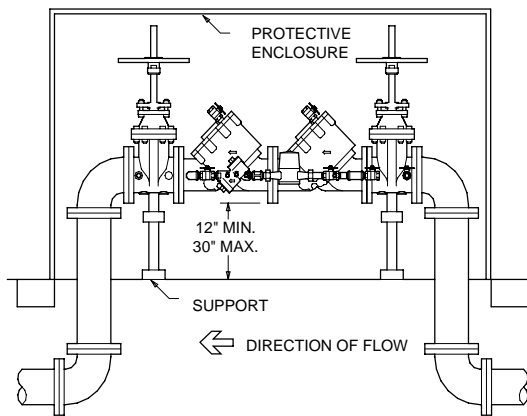


◇ Rated Flow (Established by approval agencies)

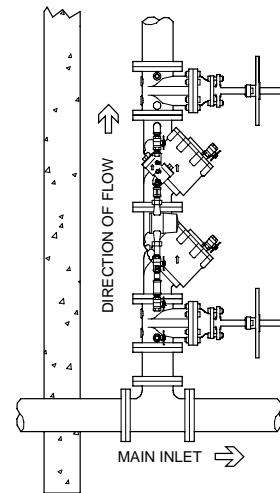
TYPICAL INSTALLATION

Local codes shall govern installation requirements. Unless otherwise specified, the assembly shall be mounted at a minimum of 12" (305mm) and a maximum of 30" (762mm) above adequate drains with sufficient side clearance for testing and maintenance. The installation shall be made so that no part of the unit can be submerged.

Capacity thru Schedule 40 Pipe (GPM)				
Pipe size	5 ft/sec	7.5 ft/sec	10 ft/sec	15 ft/sec
2 1/2"	75	112	149	224
3"	115	173	230	346
4"	198	298	397	595
6"	450	675	900	1351
8"	780	1169	1559	2339
10"	1229	1843	2458	3687



OUTDOOR INSTALLATION



VERTICAL INSTALLATION

SPECIFICATIONS

The Double Check Detector Backflow Preventer shall be ASSE® Listed 1048, and supplied with full port OS&Y gate valves. The main body and access covers shall be epoxy coated cast iron (ASTM A126 Class B), the seat ring and check valve shall be cast bronze (ASTM B 584), the stem shall be stainless steel (ASTM A 276) and the seat disc elastomers shall be EPDM. The first and second check valves shall be accessible for maintenance without removing the device from the line. The Double Check Detector Backflow Preventer shall be a WILKINS Model 950DA.