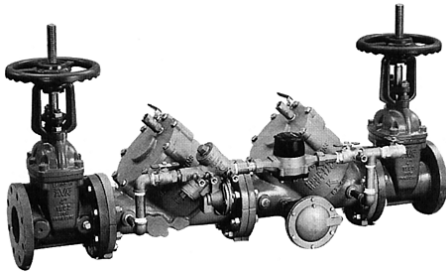


# SPECIFICATION SUBMITTAL SHEET



### FEATURES

Sizes:  2½"  3"  8"  10"

Maximum working water pressure 175 PSI  
 Maximum working water temperature 140°F  
 Hydrostatic test pressure 350 PSI  
 End connections flanged ANSI B16.1 Class 125

### OPTIONS

(Suffixes can be combined)

- with OS & Y gate valves (standard)
- G - with grooved by flanged OS&Y gate valves
- L - less shut-off valves
- LM - less water meter
- with remote reading meter
- with gpm meter (standard)
- with cu ft/min meter
- MS - with relief valve monitor switch

### ACCESSORIES

- Air gap (Model AG)
- Repair kit (rubber only)
- Thermal expansion tank (Model WXTP)
- Gate valve tamper switch (OSY-40)

### APPLICATION

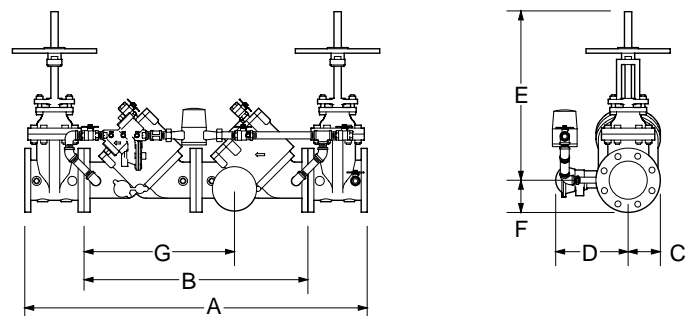
Designed for installation on potable water connections in fire sprinkler systems to protect against both backsiphonage and backpressure of contaminated water into the potable water supply. Assembly shall provide protection where a potential health hazard exists.

### STANDARDS COMPLIANCE

- ASSE® Listed 1047
- CSA® Certified
- UL® Classified
- C-UL® Classified
- FM® Approved
- Approved by the Foundation for Cross-Connection Control and Hydraulic Research at the University of Southern California

### MATERIALS

Main valve body Cast Iron ASTM A126 Class B  
 Access covers Cast Iron ASTM A126 Class B  
 Coatings FDA Approved Epoxy finish  
 Internals Stainless Steel, 300 Series  
 Cast Bronze ASTM B 584  
 Brass ASTM B-16  
 Elastomers EPDM (FDA approved)  
 Buna Nitrile (FDA approved)  
 Polymers Delrin™, NSF Listed  
 Springs Stainless steel, 300 series

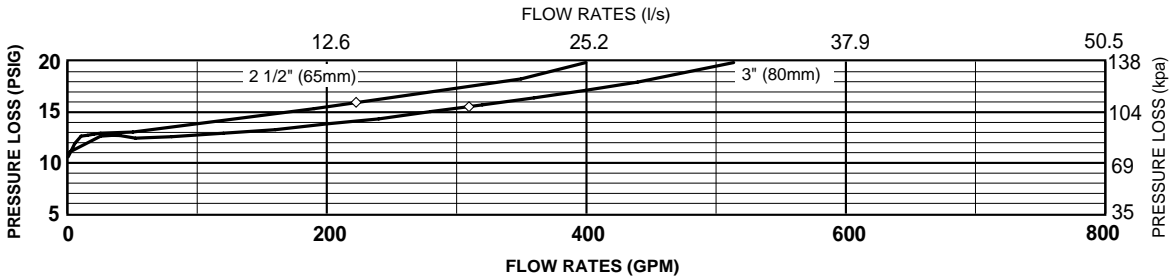


### DIMENSIONS & WEIGHTS (do not include pkg.)

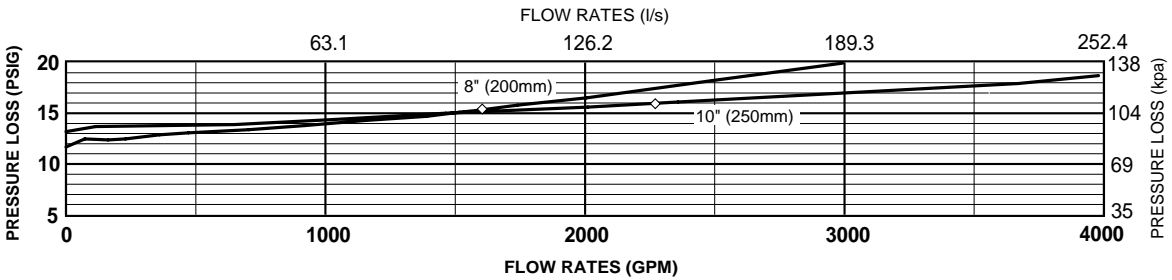
MODEL SIZE	DIMENSIONS (approximate)																WEIGHT				
	A		B WITHOUT GATE		C		D		E OS&Y GATE VALVE		E OS&Y VALVE		F		G		WITHOUT GATE		WITH OS&Y GATE		
	in.	mm	in.	mm	in.	mm	in.	mm	in.	mm	in.	mm	in.	mm	in.	mm	lbs.	kg	lbs.	kg	
2 1/2	65	37 1/8	943	22	559	4	102	10	254	16 3/8	416	13 7/8	352	4	102	16	406	111	50.4	221	100.3
3	80	38 1/8	968	22	559	4	102	10	254	18 7/8	479	15 5/8	397	4	102	16	406	111	50.4	241	109.4
8	200	71 1/8	1807	48	1219	7 1/2	191	16	406	37 3/4	959	29 1/4	743	7 1/2	191	31	787	857	389.1	1333	605
10	250	84 1/8	2137	58	1473	9	229	18	457	45 3/4	1162	35 3/8	899	9	229	41	1041	1420	644.7	2238	1016

## FLOW CHARACTERISTICS

### MODEL 975DA 2 1/2" & 3" (STANDARD & METRIC)



### MODEL 975DA 8" & 10" (STANDARD & METRIC)

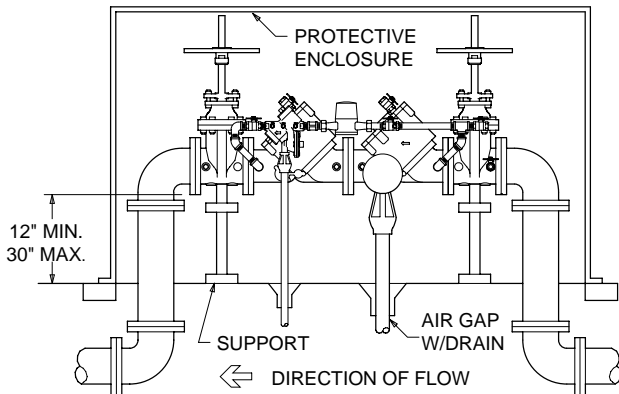


◇ Rated Flow (Established by approval agencies)

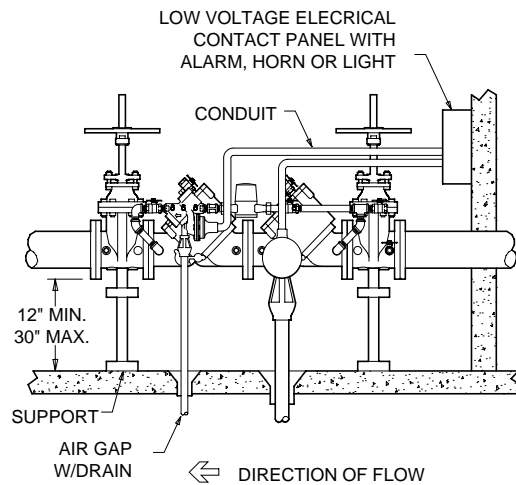
## TYPICAL INSTALLATION

Local codes shall govern installation requirements. Unless otherwise specified, the assembly shall be mounted at a minimum of 12" (305mm) and a maximum of 30" (762mm) above adequate drains with sufficient side clearance for testing and maintenance. The installation shall be made so that no part of the unit can be submerged.

Capacity thru Schedule 40 Pipe (GPM)				
Pipe size	5 ft/sec	7.5 ft/sec	10 ft/sec	15 ft/sec
2 1/2"	75	112	149	224
3"	115	173	230	346
4"	198	298	397	595
6"	450	675	900	1351
8"	780	1169	1559	2339
10"	1229	1843	2458	3687



**OUTDOOR INSTALLATION**



**INDOOR INSTALLATION**  
(shown with optional MS switch)

## SPECIFICATIONS

The Reduced Pressure Pressure Detector Backflow Preventer shall be ASSE® Listed 1047, and supplied with full port OS&Y gate valves. The main body and access covers shall be epoxy coated cast iron (ASTMA 126 Class B), the seat ring and check valve shall be cast bronze (ASTM B 584), the stem shall be stainless steel (ASTM A 276) and the seat disc elastomers shall be EPDM. The first check shall be accessible for maintenance without removing the relief valve or the entire device from the line. If installed indoors, the installation shall be supplied with an air gap adapter, and integral monitor switch. The Reduced Pressure Principle Detector Backflow Preventer shall be a WILKINS Model 975DA.