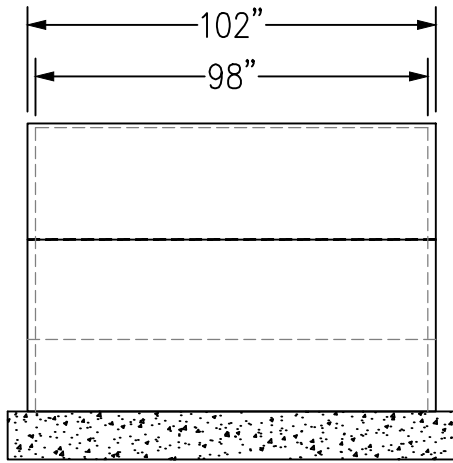
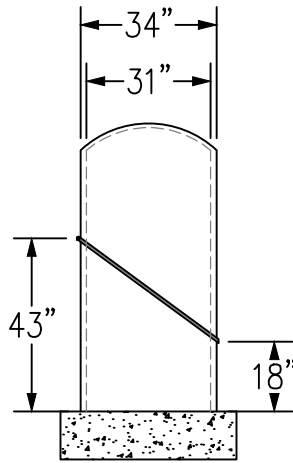


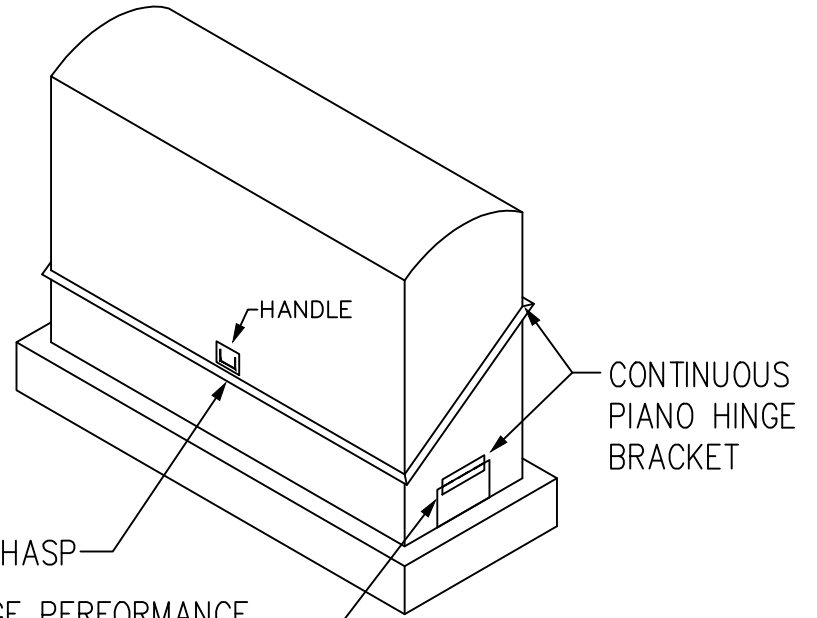
ENGINEERED TO FIT 6" THROUGH 8" BACKFLOW PREVENTION DEVICE INSTALLATIONS



BACK VIEW
NOT TO SCALE



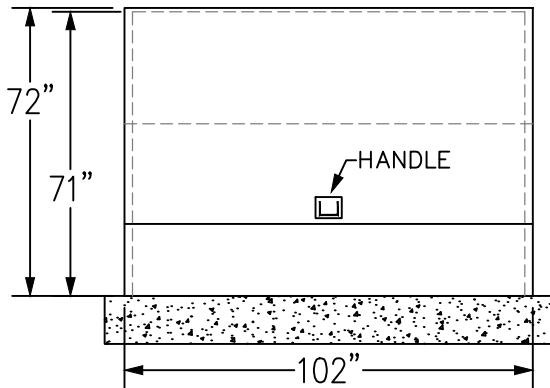
SIDE VIEW
NOT TO SCALE



ISOMETRIC VIEW
NOT TO SCALE

LOCKING HASP
DISCHARGE PERFORMANCE
FLOW RATE (GPM): 720

CONTINUOUS
PIANO HINGE
BRACKET



FRONT VIEW
NOT TO SCALE

SLAB OR FOOTER
RECOMMENDED PAD/FOOTER SIZE:
LENGTH: 112" x 44"

WEIGHT: 250 LBS

Options:

- HU-SS HEATER - Internal Heat Source, Damp Location Listed, 120v, 500w or 1000w, Thermostatically Controlled.

ASSE-1060

FIBERGLASS ENCLOSURE
MODEL # 98-APD
Submittal Sheet