

Job Name _____

Contractor _____

Job Location _____

Approval _____

Engineer _____

Contractor's P.O. No. _____

Approval _____

Representative _____

LEAD FREE*

Series LFAFBV-FP

2-Piece, Full Port, Lead Free* Slow Close Ball Valve

Series LFAFBV-FP are full-port bronze body ball valves UL/FM rated for 400psi (27.6 bar) service in fire protection systems. Available in threaded ends (NPT) as well as grooved ends, with chrome-plated brass ball, brass stem and PTFE seats for low torque and positive shut off. Valve is designed for use with Schedule 40 pipe and is approved for indoor and outdoor use, has a reversible wiring harness for applications in close proximity to obstacles, and be wired as either Normally-open or Normally-closed.

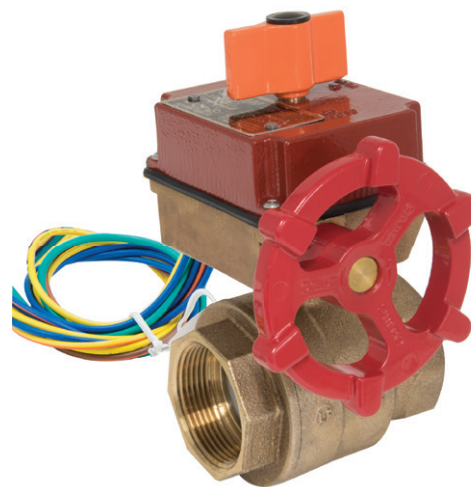
Features

- Slow open and slow closing eliminates water hammer
- Can be wired as either Normally Open or Normally Closed
- Reversible supervisory switch box simplifies electrical wiring access
- Gear operated quarter-turn operation
- Standard internal tamper switches (2)
- Conforms to NFPA 13 Section 6.7.1
- Threaded NPT or grooved end connections
- Clockwise-to-close handle
- Ergonomic handle design

Specifications

A two-piece, full-port, gear operated slow close ball valve shall be installed as indicated on the design plans. The ball valve must be UL/FM pressure rated to 400 psi (27.6 bar) maximum. The valve must contain two integrated supervisory position switches and an external position indicating flag and shall be FM approved and UL listed for indoor and outdoor service. The valve shall be constructed of a Lead-Free cast copper silicon alloy body, a chrome-plated brass ball, brass stem and PTFE seats and must comply with state codes and standards, where applicable, requiring reduced lead content. The valve shall be an Ames LFAFBV-FP-SW (threaded) or LFAFBV-FP-GV-SW (grooved).

*The wetted surface of this product contacted by consumable water contains less than 0.25% of lead by weight.



LFAFBV-FP

Approvals



Certified to NSF/ANSI 372



11,13,14,15,16, 20, 22, and 24 Compliant

NOTICE

The information contained herein is not intended to replace the full product installation and safety information available or the experience of a trained product installer. You are required to thoroughly read all installation instructions and product safety information before beginning the installation of this product.



Ames Fire & Waterworks product specifications in U.S. customary units and metric are approximate and are provided for reference only. For precise measurements, please contact Ames Fire & Waterworks Technical Service. Ames Fire & Waterworks reserves the right to change or modify product design, construction, specifications, or materials without prior notice and without incurring any obligation to make such changes and modifications on Ames Fire & Waterworks products previously or subsequently sold.

Materials

Ball Valve

Valve Body:	Lead Free Copper-Silicon Alloy
Ball:	Chrome Plated Brass
Seats:	Virgin PTFE
Stem:	Brass
Stem Packing:	Virgin PTFE
Stem O-Ring:	EPDM

Operator

Box/Cover:	Bronze ASTM B584 Alloy 844
Yoke:	LEAD-FREE Copper Silicon Alloy
Screw:	Brass
Traveler Nut:	Brass

Available Models

LFAFBV-FP: Full Port Gear Operated Ball Valve

Product Configuration (Suffix)

Standard:	Thread x Thread Connection (NPT x NPT); Compliant to ANSI/ASME B1.20.1
GV:	Grooved x Grooved Connection; Compliant to AWWA C606
SW:	Integrated Tamper Switches

Pressure — Temperature

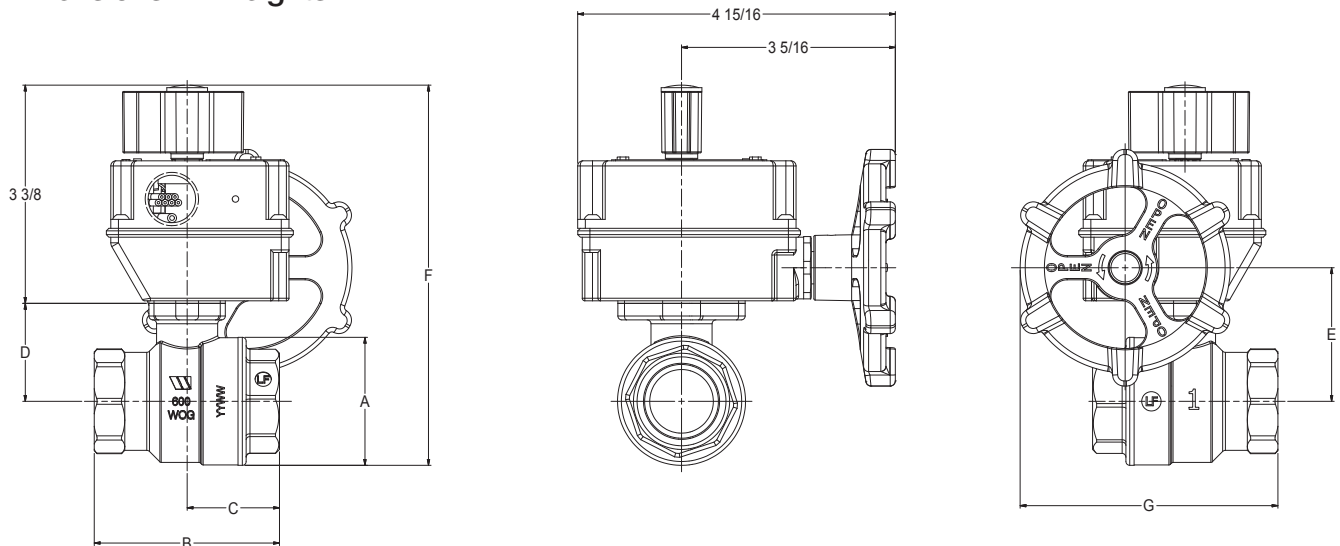
Maximum UL/FM Rated Working Pressure:	400psi (27.6 bar)
Maximum Work Pressure (WOG):	600psi (41.4 bar)
Hydrostatic Test Pressure:	900psi (62.0 bar)
Temperature Range:	33°F - 180°F (0.5°C - 82°C)

Switch Ratings

	RESISTIVE	LAMP
125 VAC	10.1A	1.5A
250 VAC	10.1A	1A
30 VDC	.4A	2A
250 VDC	0.2A	0.03A

See installation instructions for switch wiring information.

Dimensions — Weights



LFAFBV-FP-G & LFAFBV-FP-T

SIZE		DIMENSIONS																			
		DIA. A		LFAFBV-FP-G				LFAFBV-FP-T				D		E		F		LFAFBV-FP-G		LFAFBV-FP-T	
				B		C		B		C								G		G	
in	mm	in	mm	in	mm	in	mm	in	mm	in	mm	in	mm	in	mm	in	mm	in	mm	in	mm
1"	25	2	50	4 ¹ / ₁₆	103	1 ³ / ₄	44	2 ⁷ / ₈	73	1 ⁷ / ₁₆	36	1 ⁹ / ₁₆	39	2 ¹ / ₁₆	53	5 ⁷ / ₈	149	4 ⁷ / ₈	124	4	101
1 ¹ / ₄ "	32	2 ³ / ₈	61	4 ⁵ / ₈	117	1 ¹⁵ / ₁₆	49	3 ³ / ₁₆	82	1 ⁵ / ₈	41	1 ³ / ₄	45	2 ¹ / ₄	58	6 ⁵ / ₁₆	160	5 ³ / ₁₆	132	4 ¹ / ₈	106
1 ¹ / ₂ "	40	2 ³ / ₄	71	4 ¹¹ / ₁₆	119	2	51	3 ⁹ / ₁₆	90	1 ³ / ₄	45	2 ¹ / ₈	54	2 ⁵ / ₈	66	6 ¹³ / ₁₆	174	5 ¹ / ₁₆	133	4 ⁵ / ₁₆	110
2"	50	3 ¹ / ₁₆	87	5 ¹ / ₄	134	2 ⁵ / ₁₆	59	4 ¹ / ₈	105	2 ¹ / ₁₆	52	2 ¹ / ₁₆	62	2 ¹⁵ / ₁₆	74	7 ¹ / ₂	190	5 ¹ / ₂	140	4 ⁵ / ₈	118



A WATTS Brand

NOTICE

Inquire with governing authorities for local installation requirements

USA: Backflow T: (978) 689-6066 • F: (978) 975-8350 • AmesFireWater.com
USA: Control Valves T: (713) 943-0688 • F: (713) 944-9445 • AmesFireWater.com
Canada: T: (905) 332-4090 • F: (905) 332-7068 • AmesFireWater.ca
Latin America: T: (52) 81-1001-8600 • AmesFireWater.com