

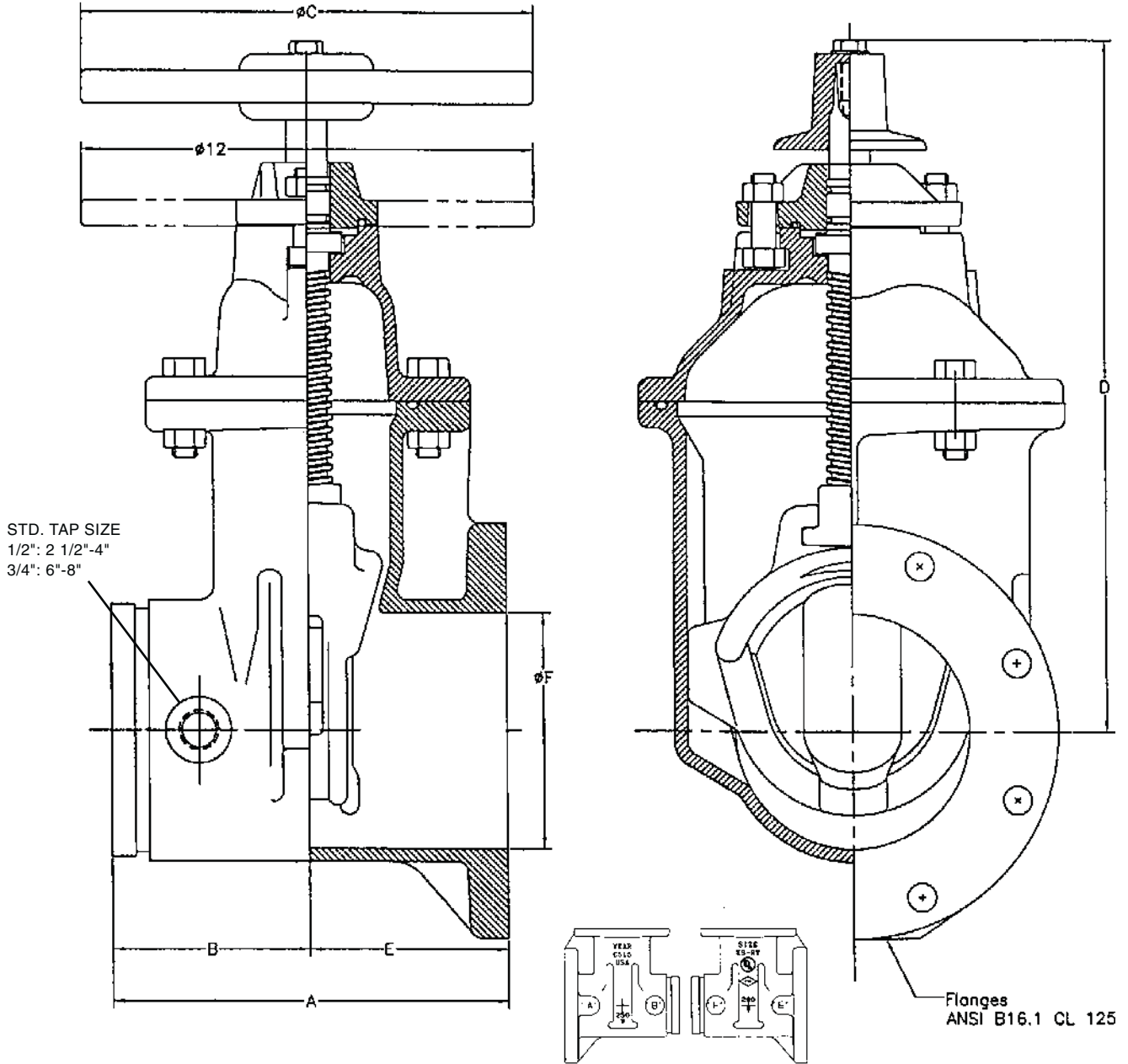


**2 1/2"-10" R/S VALVE GROOVE x FLANGE  
NRS GENERAL DIMENSIONS**

KENNEDY VALVE MODEL KS-RW

Complies with applicable requirements of AWWA C515

**7592ABF  
7592PABF**



BOSS LOCATION

GRV X FLG VALVES TAPPED & PLUGGED @ POSITION "A", "B", "F"

VALVE SIZE	A	B	C	D	E	F
2 1/2	7 1/2	3 3/4	7 1/4	11 3/8	3 3/4	2 1/2
3	8	4	10	12 3/8	4	3
4	9	4 1/2	10	14 3/4	4 1/2	4 1/4
6	10 1/2	5 1/4	12	19	5 1/4	6 1/4
8	11 1/2	5 3/4	14	22 1/2	5 3/4	8 1/4
10	13	6 1/2	18	26 1/2	6 1/2	10 1/4