



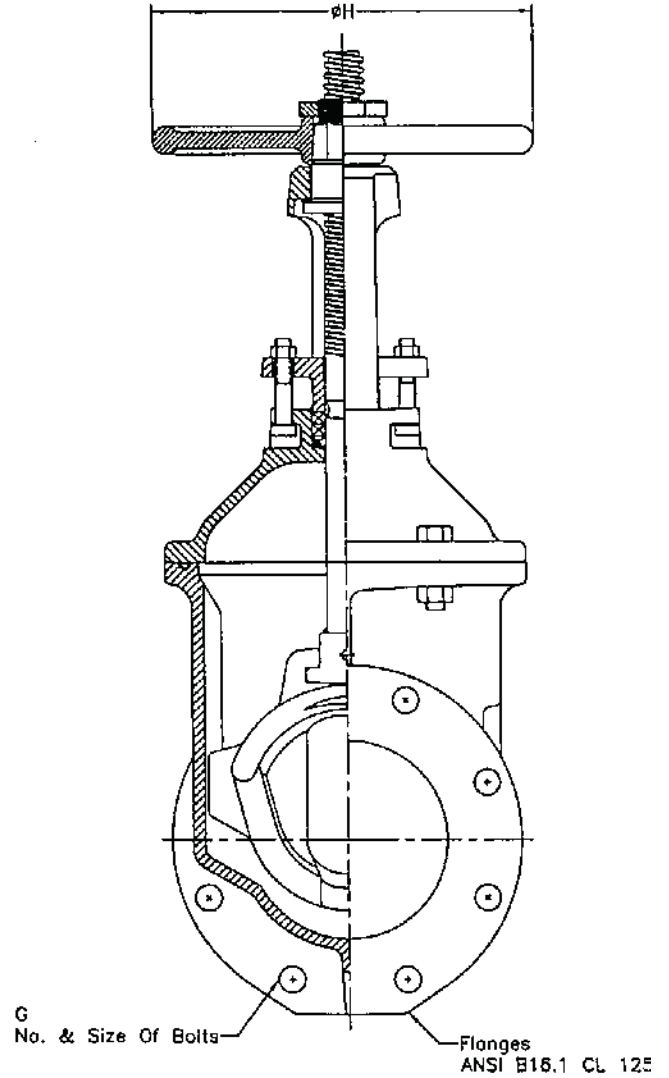
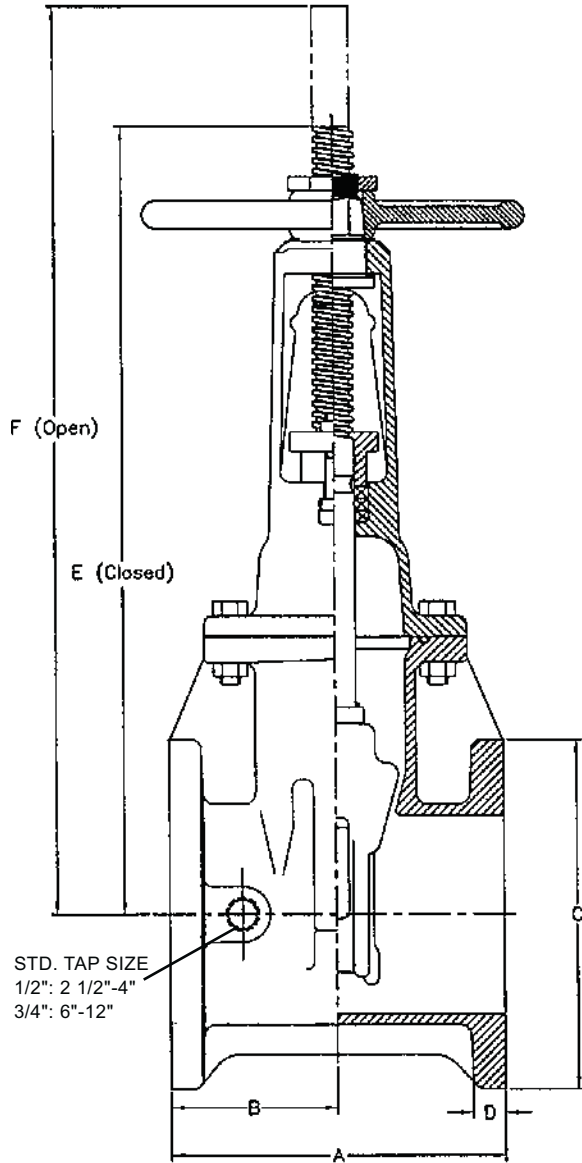
**2" - 12" R/S VALVE FLANGE ENDS
OS&Y GENERAL DIMENSIONS**

KENNEDY VALVE MODEL KS-FW

Complies with applicable requirements of AWWA C509

8068A

*Face to face dimensions (inch) conform to ASME B16.10



| VALVE SIZE | * A | B | C | D | E | F | G | H | WEIGHT |
|------------|--------|-------|--------|--------|--------|--------|--------|-------|--------|
| 2 | 7 | 3 1/2 | 6 | 5/8 | 12 | 10 | 4 5/8 | 7 1/4 | N/A |
| 2 1/2 | 7 1/2 | 3 3/4 | 7 | 11/16 | 13 7/8 | 16 3/8 | 4 5/8 | 7 1/4 | 51 |
| 3 | 8 | 4 | 7 1/2 | 3/4 | 15 5/8 | 18 7/8 | 4 5/8 | 10 | 64 |
| 4 | 9 | 4 1/2 | 9 | 15/16 | 18 1/4 | 22 3/4 | 8 5/8 | 10 | 105 |
| 6 | 10 1/2 | 5 1/4 | 11 | 1 | 23 3/4 | 30 1/8 | 8 3/4 | 12 | 152 |
| 8 | 11 1/2 | 5 3/4 | 13 1/2 | 1 1/8 | 29 1/4 | 37 3/4 | 8 3/4 | 14 | 253 |
| 10 | 13 | 6 1/2 | 16 | 1 3/16 | 35 3/8 | 45 3/4 | 12 7/8 | 18 | 427 |
| 12 | 14 | 7 | 19 | 1 1/4 | 40 5/8 | 53 1/8 | 12 7/8 | 18 | 581 |

ALL FLANGE VALVES TAPPED & PLUGGED @ POSITION "A"