

LEAD FREE*

MasterSeries® LF880V

Reduced Pressure Zone Prevention Assemblies

Size: 2½" - 10" (65mm - 250mm)

The FEBCO MasterSeries LF880V Reduced Pressure Zone Assembly is specifically designed to protect against possible backpressure and backsiphonage conditions for high hazard [i.e., toxic] application in accordance with Local Governing Water Utility Code. This Backflow Assembly is primarily used on potable drinking water systems where Local Governing Code mandates protection from non-potable quality water being pumped or siphoned back into the potable water system.

The LF880V features Lead Free* construction to comply with low lead installation requirements. The Lead Free* Reduced Pressure Zone Assemblies shall comply with state codes and standards, where applicable, requiring reduced lead content.

Features

- Inline Serviceable Assembly
- Horizontal "N-Pattern" Installations
- Vertical-Up "Z-Pattern" Installations
- No Special Tools Required for Servicing
- Captured Modular Spring Assembly
- Reversible & Replaceable Discs
- Field Replaceable Seats
- Ductile Iron Valve Body Design
- Stainless Steel Check Components
- Modular Pressure Differential Relief Valve
- Repairable Pressure Differential Relief Valve
- Clapper Check Assembly
- Captured O-ring Design



MODEL 880V REDUCED PRESSURE ZONE ASSEMBLY
(Shown in standard orientation)

Specifications

The FEBCO MasterSeries LF880V Reduced Pressure Zone Assembly shall be installed on the potable water supply and at each point of cross-connection to protect against possible backpressure and backsiphonage conditions for high hazard [i.e., toxic] applications. The assembly shall consist of a main line valve body composed of a pressure differential relief valve located in a zone between two (2) independently acting approved clapper style check modules with replaceable seats and disc rubbers. Servicing of the pressure differential relief valve and both check modules does not require any special tools; both check modules are accessed through independently top entry covers. This assembly shall be fitted with AWWA Compliant inlet/outlet resilient seated shutoff valves; when used on a Fire-Sprinkler application, the assembly shall be fitted with approved UL/FM inlet/outlet resilient seated shutoff valves and contain four (4) properly located resilient seated test cocks as specified by AWWA Standard C511. Flow and pressure loss performance parameters shall meet the requirements of AWWA Standard C511.

IMPORTANT: INQUIRE WITH GOVERNING AUTHORITIES FOR LOCAL INSTALLATION REQUIREMENTS

*The wetted surface of this product contacted by consumable water contains less than 0.25% of lead by weight.

Job Name _____

Job Location _____

Engineer _____

Approval _____

Contractor _____

Approval _____

Contractor's P.O. No. _____

Representative _____

FEBCO product specifications in U.S. customary units and metric are approximate and are provided for reference only. For precise measurements, please contact FEBCO. FEBCO reserves the right to change or modify product design, construction, specifications, or materials without prior notice and without incurring any obligation to make such changes and modifications on FEBCO products previously or subsequently sold.

Options - Suffix

OSY: UL/FM Approved OS&Y Gate Valves (ANSI/AWWA C515 Compliant)

NRS: Non-Rising Stem Gate Valves (ANSI/AWWA C509 Compliant)

LG : Less Shut-off valves; This is NOT an APPROVED ASSEMBLY

Example Ordering Description:

4" LF880V-OSY - Valve Assembly fitted with OS&Y Shutoff Valves

Available Components

Wye Strainer: FDA Approved (ASME B16.1 Class 125 & AWWA Class D Flange)

Series 611 Valve Setter: MJ x MJ - Mechanical Joint x Mechanical Joint (AWWA C111/A21.11)
MJ x FL - Mechanical Joint x Flange (AWWA C111/A21.11; ASME B16.1 Class 125/ AWWA Class D Flange)
FL x FL - Flange x Flange (ASME B16.1 Class 125 & AWWA Class D Flange)

Materials

Below is a general materials list of the Model LF880V. All assemblies size 2½" through 10" is similar in materials and construction. Please contact your local FEBCO Representative if you require further information.

Main Valve Body: Ductile iron Grade 65-45-12

Relief Valve Body: Ductile iron Grade 65-45-12

Coating: Fusion epoxy coated internal and external AWWA C550-90

Shutoff Valves: NRS resilient wedge gate valve AWWA C509 (Standard)
OSY resilient wedge gate valve AWWA C515 (UL/FM)

Check Seats: Stainless Steel

Disc Holder: Stainless Steel

Elastomer Disc: Silicone

Spring: Stainless Steel

Clamp: AWWA C606

Approvals – Standards:

- Approved by the Foundation for Cross-Connection Control and Hydraulic Research at The University of Southern California [FCCCHR-USC]
- ASSE 1013 Listed
- **UL Classified [US & Canada]
- **FM Approved
- IAPMO/cUPC
- AWWA Standard C511 Compliant
- End Connections: Compliant to ASME B16.1 Class 125 & AWWA Class D Flange

**Assembly configured with UL/FM Approved OS&Y RW Gate Valves. Less gate valve assemblies are not UL/FM approved configurations.



Assembly Flow Orientation:

Horizontal (N-Pattern 2½" – 8") - Approved by FCCCHR-USC, ASSE, cULus, FM, IAPMO/cUPC

Vertical Up (Z-Pattern 2½" – 8") - Approved by FCCCHR-USC, ASSE, cULus, FM, IAPMO/cUPC

Pressure - Temperature

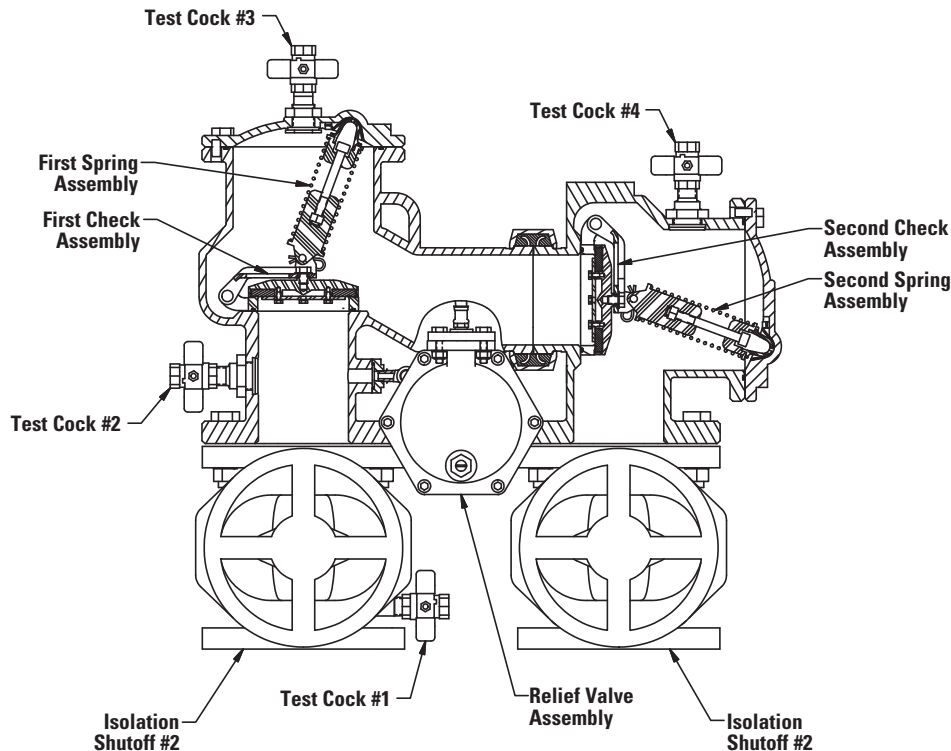
Max. Working Pressure: 175psi (12.1 bar)

Min. Working Pressure: 20psi (1.4 bar)

Hydrostatic Test Pressure: 350psi (24.1 bar)

Hydrostatic Safety Pressure: 700psi (48.3 bar)

Temperature Range: 33°F - 140°F (0.5°C- 60°C) Continuous

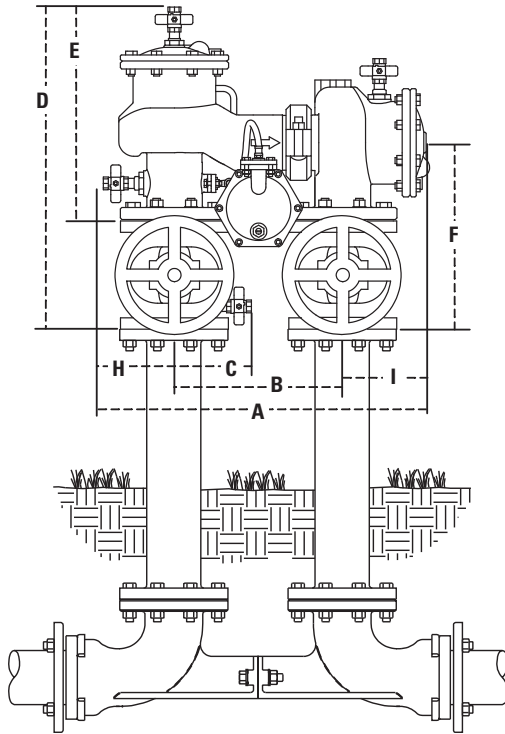


Dimensions – Weights

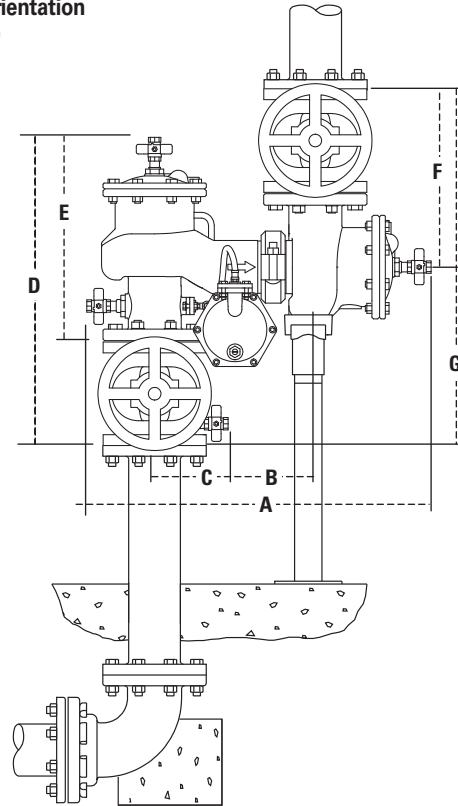
Size: 2½" - 10" (65 - 80mm)

Below are the nominal dimensions and physical weights for the Model LF880V size 2½" through 10". Allowances must be made for normal manufacturing tolerances. Please visit our website to download a copy of this product's installation instructions, or contact your local FEBCO Representative for more information.

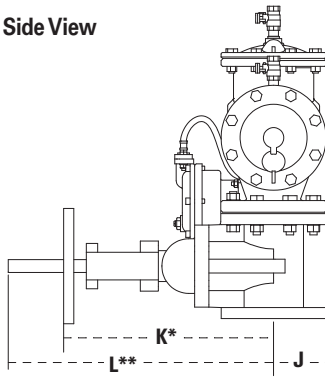
**Model LF880V
Standard Orientation
(N-Pattern)**



**Model LF880V
Vertical Orientation
(Z-Pattern)**

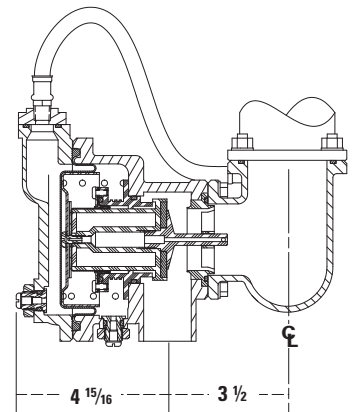


Gate Valve Side View



Relief Valve Detail

Relief shipped on right side (shown) field reversible to left side.



SIZE (DN)		DIMENSIONS														WEIGHT***													
in.	mm	A		B		C		D		E		F		G		H		I		J		K*		L**		NRS		OSY	
		in.	mm	in.	mm	in.	mm	in.	mm	in.	mm	in.	mm	in.	mm	in.	mm	in.	mm	in.	mm	in.	mm	in.	mm	lbs.	kg.	lbs.	kg.
2½	65	25½	654	12½	318	6¼	159	24¼	616	16%	422	13%	346	27¼	692	5½	140	7¼	184	3½	89	12%	321	16%	416	221	100	225	102
3	80	25¾	654	12½	318	6¼	159	24¼	629	16%	422	14%	359	28¼	718	5½	140	7¼	184	3¾	95	12%	327	22¼	565	247	112	251	114
4	100	27¾	708	14	356	7	178	26¾	680	17%	451	15½	394	31	787	6	152	7¼	184	4½	114	14%	365	23¼	591	344	156	356	162
6	150	32¼	819	16	406	8	203	32¼	819	21%	548	18%	473	37¼	946	7½	191	9½	241	5½	140	18%	479	30%	765	517	235	537	244
8	200	37½	953	18½	470	9¼	235	36%	324	24%	632	20¾	527	41½	1054	8¾	222	10¼	260	6¾	172	23½	597	37¾	959	808	366	836	379
10	250	42½	1080	21	533	10	254	40¾	1035	27½	699	24	610	48	1219	9¾	248	11½	292	8	203	27½	699	48	1219	1306	592	1344	610

Notes:

* Indicates nominal dimensions with NRS Gate Valves

** Indicates nominal dimensions with OSY Gate Valves (Full Open Position)

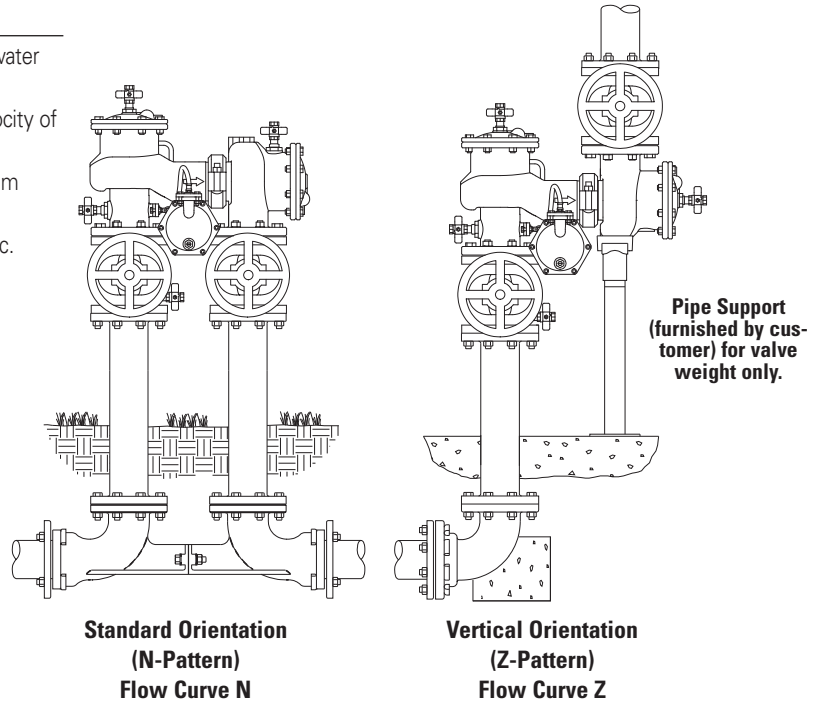
*** Indicates weight of complete Backflow Assemblies with specified Gate Valves

The gap drain is not designed to catch the maximum discharge possible from the relief valve. The installation of the FEBCO air gap with the drain line terminating above a floor drain will handle any normal discharge or nuisance spitting through the relief valve. However, floor drain size may need to be designed to prevent water damage caused by a catastrophic failure condition. Do not reduce the size of the drain line from the air gap fitting.

Performance

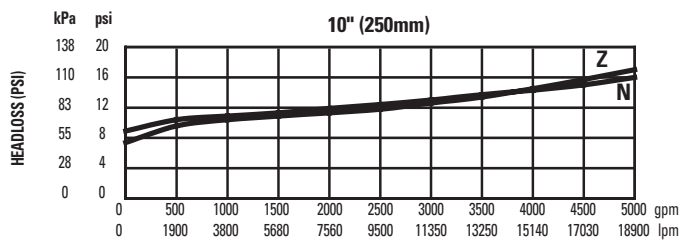
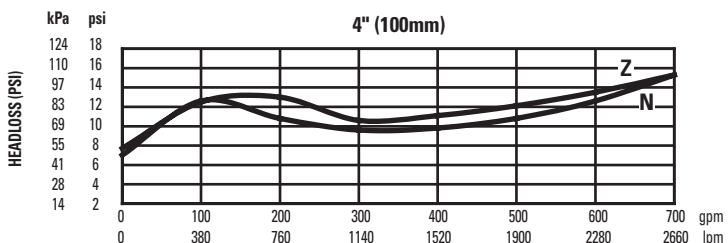
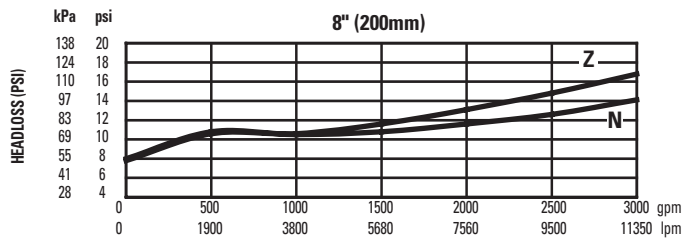
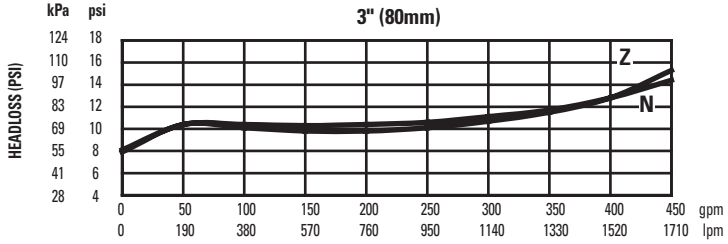
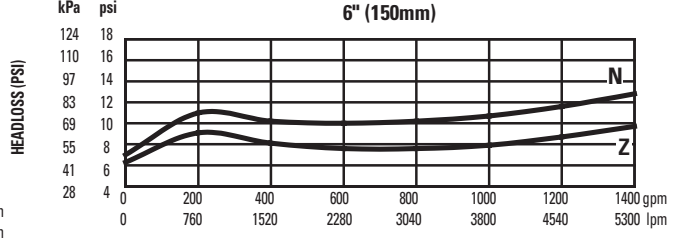
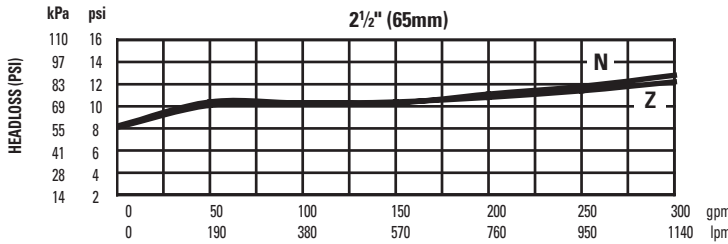
Flow capacity chart identifies valve performance based upon rated water Velocity up to 20fps

- Maximum service flow rate is determined by maximum rated Velocity of 7.5fps.
- AWWA Manual M-22 [Appendix C] recommends that the maximum water Velocity in the services be not more than 10fps.
- UL flow rate is determined by typically rated Velocity of 15 feet/sec.



**Standard Orientation
(N-Pattern)
Flow Curve N**

**Vertical Orientation
(Z-Pattern)
Flow Curve Z**



Z-Vertical orientation
N-Standard orientation

The 6" and 10" flow curves (N-standard orientation) include the FEBCO valve setter model 611.



A Watts Water Technologies Company



USA: Fresno, CA • Tel: (559) 441-5300 • Fax: (559) 441-5301 • www.FEBCOonline.com
Canada: Burlington, ON • Tel: (905) 332-4090 • Fax: (905) 332-7068 • www.FEBCOonline.ca