

## VB-501 175 psi

### Composite Pressure Vacuum Breaker

No Lead-Theft Deterrent-Corrosion Free

### Specification

Application Designed for installation on irrigation water lines to protect against Backsiphonage of contaminated water into the potable water supply. Assembly shall provide protection where a potential health hazard exists. Standards Compliance

Sizes: 3/4", 1"

- Maximum working water pressure - 175 PSI
- Maximum working water temperature - 140°F / 60° C
- Hydrostatic test pressure - 300 PSI
- End connections threaded NPT -ANSI B1.20.1



VB-501

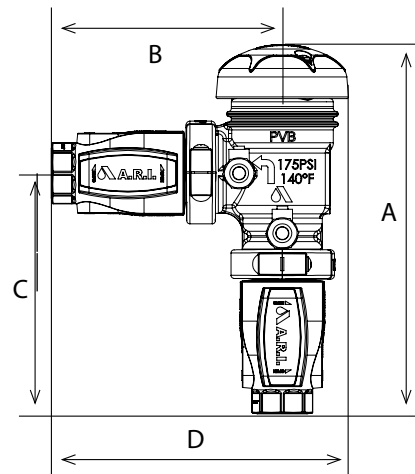


1020

### Dimensions & Weights

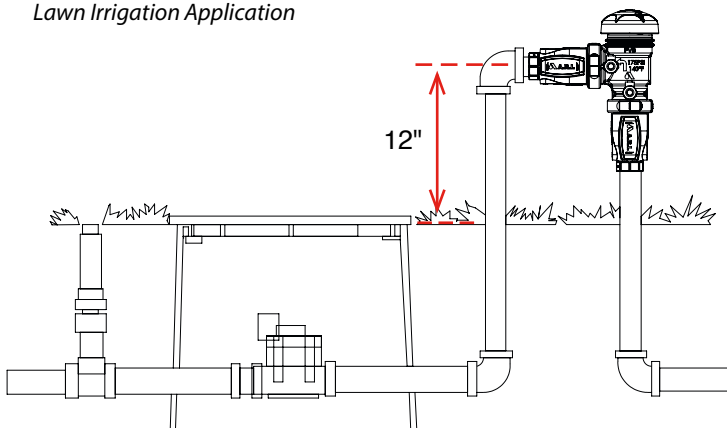
Size w/ Nylon Composite Valves

Size	Dimensions [in.]				Weight [LB]
	A	B	C	D	
3/4"	9.92	6.50	6.77	8.11	2.12
1"	10.59	7.56	7.44	8.82	2.43



### Outdoor Installation

Lawn Irrigation Application



### Pressure Loss Curve

