



Model F49

Fire Butterfly Valves



Application

Zurn F49 Fire Butterfly Valves provide a slow opening anti-waterhammer adjustment to control waterflow. An integral supervisory tamper switch provides a fire alarm control signal when the valve is moved from the open position.

Standards Compliance

- UL® Listed
- C-UL® Listed
- FM® Approved

Features

Maximum Pressure: 300 PSI
 Sizes: 2-1/2", 3", 4", 6", 8"

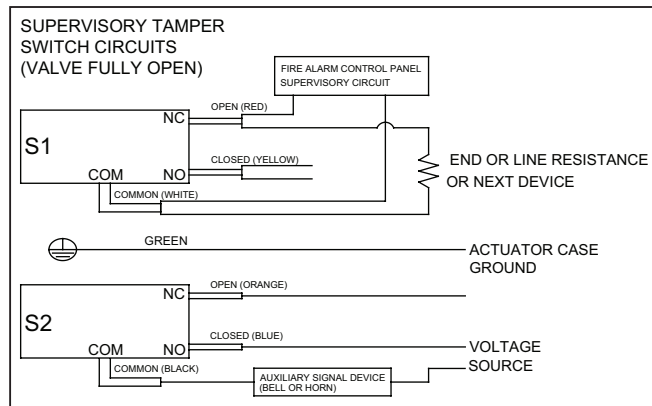
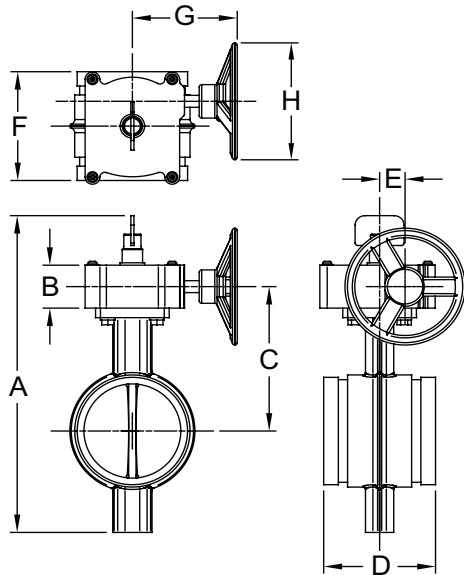
Materials

Body ASTM A-536 Nylon-11 Coated
 Disc ASTM A-536 EPDM Encapsulated
 Upper & Lower Stems AISI 420-SS
 AISI 410-SS
 Housing ASTM A-536
 Hand Wheel ASTM A-536
 Flag Indicator ASTM A-536
 Shear Pin ASTM A-510
 Segment Gear ASTM B-148 or B-584
 Housing Gasket EPDM Grade E
 O-Rings (All) EPDM Grade E



4-F49

Dimensions & Weights (do not include pkg.)



MODEL	DIMENSIONS (approximate)								Weight (lb.)
	A (in.)	B (in.)	C (in.)	D (in.)	E (in.)	F (in.)	G (in.)	H (in.)	
212-F49	11.750	2.360	5.310	3.815	0.980	5.485	5.310	5.040	11.8
3-F49	12.315	2.360	5.590	3.805	0.980	5.495	5.310	5.040	12.7
4-F49	13.925	2.360	6.900	4.560	0.980	5.755	5.310	5.040	15.7
6-F49	17.115	2.360	8.230	5.235	0.980	6.115	7.600	8.660	28.5
8-F49	19.060	2.360	9.210	5.835	0.980	6.420	7.600	8.660	43.5