



Model FP63 Mechanical Tees

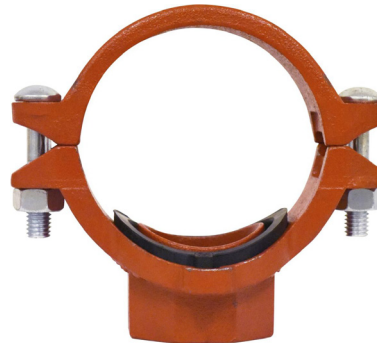


Application

Zurn Model FP63 mechanical tees provide a fast, convenient mid-pipe branch connections without welding. These parts are ideal for adding sprinkler to runs of pipe. A hole-locator collar secures the branch position; an EPDM gasket, molded to suit the pipe size seals the connection leak tight.

Materials

Casting ASTM A536 65-45-12 Ductile Iron
Gasket EPDM, Pre-lubricated, Pressure responsive
Bolts & Nuts Grade 8



4X2-FP63TF



4X2-FP63G

Standards Compliance

- UL® Listed
- C-UL® Listed
- FM® Approved

Features

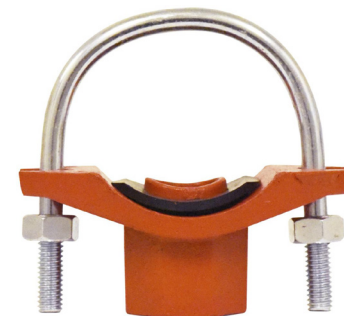
Maximum Pressure: 300 PSI

Options

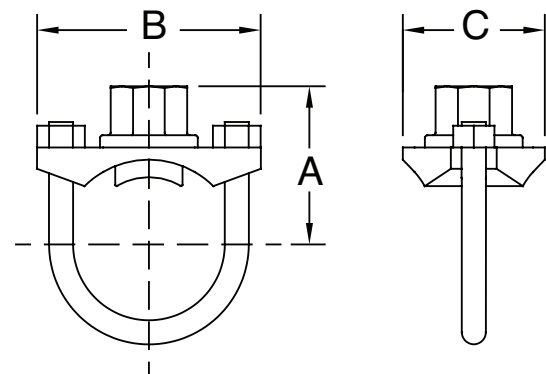
- LTF - U-Bolted, Threaded female NPT outlet
- TF - Threaded female NPT outlet
- G - Grooved

Dimensions & Weights (do not include pkg.)

SIZE in.	MODEL	DIMENSIONS (approximate)			
		A in.	B in.	C in.	Weight lb.
1 1/4 X 1/2	114X12-FP63LTF	1.69	3.54	2.21	0.8
1 1/4 X 3/4	114X34-FP63LTF	1.77	3.54	2.21	0.9
1 1/4 X 1	114X1-FP63LTF	1.97	3.54	2.21	1.0
1 1/2 X 1/2	112X12-FP63LTF	1.69	3.66	2.32	0.8
1 1/2 X 3/4	112X34-FP63LTF	2.13	3.66	2.32	1.0
1 1/2 X 1	112X1-FP63LTF	2.28	3.66	2.32	1.0
2 X 1/2	2X12-FP63LTF	2.13	3.75	2.32	0.8
2 X 3/4	2X34-FP63LTF	2.21	3.78	2.32	0.9
2 X 1	2X1-FP63LTF	2.60	3.78	2.32	1.0
2 1/2 X 1/2	212X12-FP63LTF	2.36	4.33	2.32	0.9
2 1/2 X 3/4	212X34-FP63LTF	2.48	4.33	2.32	0.9
2 1/2 X 1	212X1-FP63LTF	2.76	4.33	2.32	1.0



112X1-FP63LTF



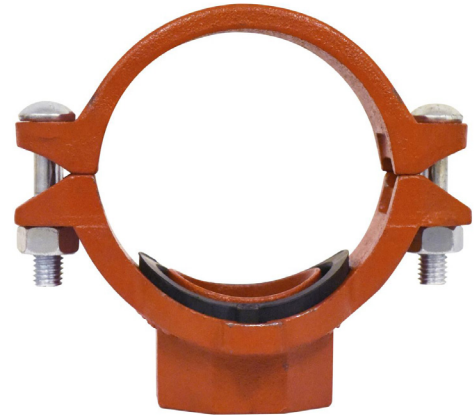


Model FP63TF

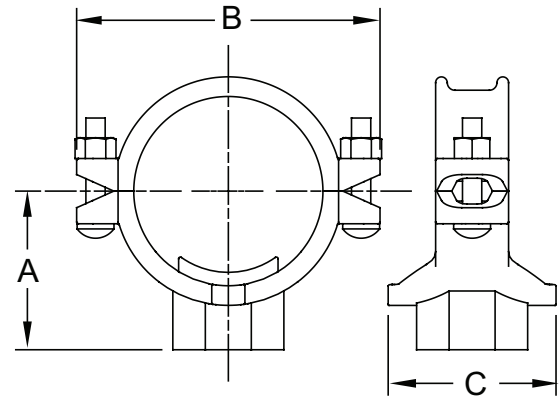
Mechanical Tees, Threaded Female Branch

Dimensions & Weights (do not include pkg.)

SIZE in.	MODEL	DIMENSIONS (approximate)			
		A in.	B in.	C in.	Weight lb.
2 X 1	2X1-FP63TF	2.24	4.57	2.72	1.6
2 X 1 1/4	2X114-FP63TF	2.24	4.57	2.84	1.7
2 X 1 1/2	2X112-FP63TF	2.24	4.57	2.84	1.9
2 1/2 X 1	212X1-FP63TF	2.56	5.67	3.07	2.0
2 1/2 X 1 1/4	212X114-FP63TF	2.56	5.67	3.31	3.8
2 1/2 X 1 1/2	212X112-FP63TF	2.36	5.67	3.27	3.6
3 X 1	3X1-FP63TF	2.91	5.98	3.03	2.5
3 X 1 1/4	3X114-FP63TF	2.99	5.98	3.31	2.5
3 X 1 1/2	3X112-FP63TF	2.87	5.98	3.62	2.7
3 X 2	3X2-FP63TF	3.07	5.98	3.90	3.0
4 X 1	4X1-FP63TF	3.47	7.40	3.03	2.9
4 X 1 1/4	4X114-FP63TF	3.66	7.40	3.31	3.3
4 X 1 1/2	4X112-FP63TF	3.66	7.40	3.62	3.3
4 X 2	4X2-FP63TF	3.66	7.09	4.06	3.6
4 X 2 1/2	4X212-FP63TF	3.82	7.40	4.84	3.7
4 X 3	4X3-FP63TF	3.66	7.40	4.92	4.9
6 X 1 1/4	6X114-FP63TF	4.72	9.72	3.23	5.4
6 X 1 1/2	6X112-FP63TF	4.72	9.72	6.62	5.9
6 X 2	6X2-FP63TF	4.72	9.84	4.25	6.2
6 X 2 1/2	6X212-FP63TF	4.80	9.84	4.25	5.4
6 X 3	6X3-FP63TF	4.72	9.72	5.35	7.5
8 X 2	8X2-FP63TF	5.75	12.21	3.82	7.7
8 X 2 1/2	8X212-FP63TF	5.75	12.21	5.11	8.1



4X2-FP63TF





Model FP63G

Mechanical Tees, Grooved Branch



Dimensions & Weights (do not include pkg.)

SIZE in.	MODEL	DIMENSIONS (approximate)			
		A in.	B in.	C in.	Weight lb.
2 X 1 1/4	2X114-FP63G	2.56	4.57	2.84	1.9
2 1/2 X 1 1/4	212X114-FP63G	2.56	5.67	3.31	2.5
2 1/2 X 1 1/2	212X112-FP63G	2.95	5.67	3.31	2.5
3 X 1 1/4	3X114-FP63G	3.27	5.98	3.31	2.6
3 X 1 1/2	3X112-FP63G	3.27	5.98	3.31	3.0
3 X 2	3X2-FP63G	3.27	5.98	4.02	3.3
4 X 1 1/4	4X114-FP63G	3.86	7.09	3.04	3.5
4 X 1 1/2	4X112-FP63G	3.86	7.09	3.31	3.2
4 X 2	4X2-FP63G	3.86	7.09	4.06	3.4
4 X 2 1/2	4X212-FP63G	3.86	7.09	4.06	5.9
4 X 3	4X3-FP63G	3.82	7.40	4.92	6.1
6 X 1 1/4	6X114-FP63G	4.72	9.72	3.23	5.6
6 X 1 1/2	6X112-FP63G	4.72	9.72	6.62	5.7
6 X 2	6X2-FP63G	4.92	9.84	4.25	6.4
6 X 2 1/2	6X212-FP63G	4.92	9.84	4.25	5.4
6 X 3	6X3-FP63G	5.04	9.72	5.35	7.5
6 X 4	6X4-FP63G	5.04	9.72	6.18	7.8
8 X 2	8X2-FP63G	5.98	12.20	5.11	7.7
8 X 2 1/2	8X212-FP63G	5.98	12.20	4.57	8.1
8 X 3	8X3-FP63G	5.98	12.20	5.39	8.5
8 X 4	8X4-FP63G	5.98	12.20	6.38	9.3



4X2-FP63G

