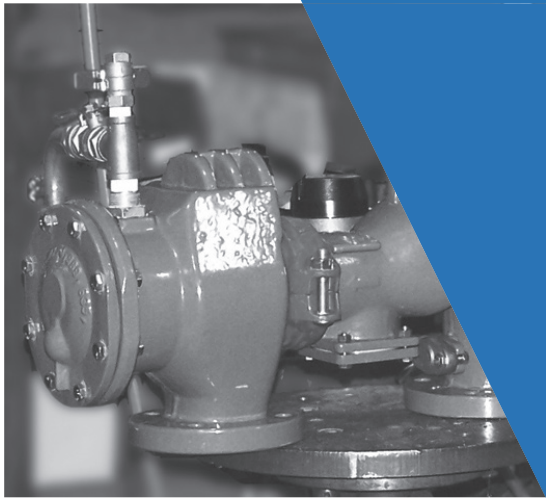
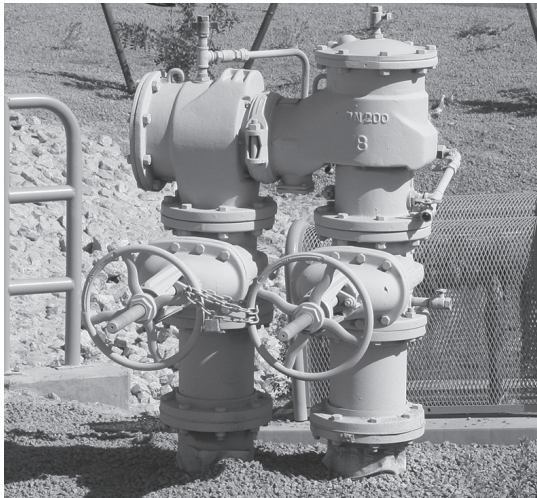


Price List

Backflow Prevention Products and Repair Kits



Effective January 10, 2022

All prices supersede previous issues, are temporary and subject to change without notice.

Your Discount[†]

[†] Excludes kits and parts

Electronic is Green!

For the latest FEBCO pricing information in electronic format, visit our Data Exchange at:

<http://www.wattswater.com/dataexchange/>

- Download product and list price data in .csv, .pdf, .tsv, .xls and .xml formats
- Easy access to list price data for business systems
- Sign up for e-mail alerts when data is updated
- Access our Watts Water Technologies brands pricing data

TABLE OF CONTENTS

TERMS AND CONDITIONS 2

HOW TO ORDER 2

SINGLE DETECTOR CHECK ASSEMBLIES

800 (4" - 10") 3

DOUBLE CHECK VALVE ASSEMBLIES-BRONZE BODY

850-QT DC (½" - 2") 3

LF850-QT DC (½" - 2") 3

850U-QT DC (½" - 2") 3

LF850U (½" - 2") 3

DOUBLE CHECK VALVE ASSEMBLIES-DUCTILE IRON BODY

LF850-LG DC (2½" - 10") 4

LF850-NRS DC (2½" - 10") 4

LF850-OSY DC (2½" - 10") 4

LF870W-LG (4" - 10") 5

LF870W-NRS (4" - 10") 5

LF870W-OSY (4" - 10") 5

LF870WZ-LG (4" - 10") 6

LF870WZ-NRS (4" - 10") 6

LF870WZ-OSY (4" - 10") 6

LF870V-LG DC (2½" - 8") 5

LF870V-NRS DC (2½" - 8") 5

LF870V-OSY DC (2½" - 8") 5

DOUBLE CHECK DETECTOR ASSEMBLIES (TYPE II) DUCTILE IRON BODY

LF856-LF-GPM (2½" - 10") 7

LF856-DOSY-GPM (2½" - 10") 7

LF876V-DOSY-GPM (2½" - 8") 7

REDUCED PRESSURE ZONE ASSEMBLIES-BRONZE BODY

825Y-QT RP (¾" - 2") 8

LF825Y-QT RP (¾" - 2") 8

825YA-QT RP (¾" - 2") 8

LF825YA-QT RP (¾" - 2") 8

860-QT RP (½" - 2") 8

LF860-QT RP (½" - 2") 8

860U-QT RP (½" - 2") 8

LF860U-QT RP (½" - 2") 8

REDUCED PRESSURE ZONE ASSEMBLIES-DUCTILE IRON BODY

LF860-LG RP (2½" - 10") 9

LF860-NRS RP (2½" - 10") 9

LF860-DOSY RP (2½" - 10") 9

LF880V-LG RP (2½" - 8") 9

LF880V-NRS RP (2½" - 8") 9

LF880V-DOSY RP (2½" - 8") 9

LF880W-LG (4" - 10") 9

LF880W-DNRS (4" - 10") 10

LF880W-DOSY (4" - 10") 10

LF880WZ-LG (4" - 10") 10

LF880WZ-DNRS (4" - 10") 10

LF880WZ-DOSY (4" - 10") 10

REDUCED PRESSURE DETECTOR ASSEMBLIES (TYPE II) DUCTILE IRON BODY

LF866-LG (2½" - 10") 11

LF866-DOSY (2½" - 10") 11

LF886V-DOSY (2½" - 8") 11

VACUUM BREAKERS

Atmospheric Vacuum Breaker

715A AVB (½" - ¾") 12

710A AVB (1" - 2") 12

Pressure Vacuum Breakers

765-QT PVB (½" - 2") 12

U765-QT PVB (½" - 2") 12

LF767FR PVB (½" - 2") 12

ACCESSORIES

Air Gap 13

Valve Setters 13

Wye-Strainer 14

Spool 14

Full Port Test Cock 14

Backflow Test Kit 14

Valve Stand 14

Gate Valve Mounting Kit 14

IRRIGATION SPECIALTIES

Key Operated Wall Hydrant 14

PARTS AND ACCESSORIES

MODEL	ASSEMBLY TYPE	PAGE (BY ASSEMBLY SIZE)	
		2" & SMALLER	2½" & LARGER
Quick Reference Parts List..... 15			
710	Atmospheric Vacuum Breaker	16	
715	Atmospheric Vacuum Breaker	16	
765	Pressure Vacuum Breaker	16	
805	Double Check Valves	17	21
806	Double Check Detector Assemblies	21	
825/LF825	Reduced Pressure Zone Assemblies	18	24, 25
826	Reduced Pressure Detector Assemblies	24, 25	
835	Double Check Valves	17	
850/LF850	Double Check Valves	19	22, 23
856/856ST/			
LF856	Double Check Detector Assemblies	22, 23	
860/LF860/860U/LF860U/880/880U			
Reduced Pressure Zone Assemblies..... 20			
860/LF860	Reduced Pressure Zone Assemblies	28	29, 32
LF866	Reduced Pressure Zone Detector Assemblies	29, 32	
870/LF870	Double Check Valves	26, 27	
876/876ST/LF876			
Double Check Detector Assemblies 26, 27			
880/LF880	Reduced Pressure Zone Assemblies	30, 31	
LF880V/LF886V			
Reduced Pressure Zone Detector Assemblies 30, 31			
860/LF880/LF860/LF880/LF866/LF886			
Relief Valve Parts 32			
LF856/LF876V/LF866/LF886V			
Bypass Assemblies and Bypass Repair Kits..... 32			
Misc	Replacement Shutoffs	33	

Supersedes all other price lists / Prices subject to change / Weights are estimated

¹Grooved ends available on all OS&Y gate valves in some models and sizes. Expect larger lead times.

- FREIGHT TERMS:** All shipments are F.O.B. shipping point. Shipments from factory less than 1000 lbs. are F.O.B. factory. Factory shipments OF \$5000 and over within the continental U.S.A. will be prepaid and allowed when made at the lowest motor carrier transportation rate.
- TERMS OF SALE:** All sales are F.O.B. shipping point.
- PAYMENT TERMS:** The invoices are due and payable 30 days from the date of invoice.
- PURCHASE ORDER FORMS:** Orders submitted on customer's own purchase order forms will be accepted only with the express understanding that no statements, clauses, or conditions contained in said order form will be binding on the Seller if they in any way modify the Seller's own terms and conditions of sales.
- STOCKING WHOLESALE MINIMUM CHARGE:** A minimum billing charge of \$100.00 applies to shipments F.O.B. factory. Stocking Wholesaler Customers are encouraged to order sufficient material to avoid this charge which is necessitated by increased costs of processing small orders.
- SPECIAL PRODUCTS:** Orders for special or modified products are non-cancelable. In the event that the customer cancels an order for such products, Watts shall charge the customer an amount equal to Watts' costs and expenses incurred in performing the purchase order prior to receipt of notice of cancellation.
- LIMITED WARRANTY:** FEBCO warrants each product to be free from defects in material and workmanship under normal usage for a period of one year from the date of original shipment. In the event of such defects within the warranty period, the Company will, at its option, replace or recondition the product without charge. THE WARRANTY SET FORTH HEREIN IS GIVEN EXPRESSLY AND IS THE ONLY WARRANTY GIVEN BY THE COMPANY WITH RESPECT TO THE PRODUCT. THE COMPANY MAKES NO OTHER WARRANTIES, EXPRESS OR IMPLIED. THE COMPANY HEREBY SPECIFICALLY DISCLAIMS ALL OTHER WARRANTIES, EXPRESS OR IMPLIED, INCLUDING BUT NOT LIMITED TO THE IMPLIED WARRANTIES OF MERCHANT ABILITY AND FITNESS FOR A PARTICULAR PURPOSE. The remedy described in the first paragraph of this warranty shall constitute the sole and exclusive remedy for breach of warranty, and the Company shall not be responsible for any incidental, special or consequential damages, including without limitation, lost profits or the cost of repairing or replacing other property which is damaged if this product does not work properly, other costs resulting from labor charges, delays, vandalism, negligence, fouling caused by foreign material, damage from adverse water conditions, chemical, or any other circumstances over which the Company has no control. This warranty shall be invalidated by any abuse, misuse, misapplication, improper installation or improper maintenance or alteration of the product. Some States do not allow limitations on how long an implied warranty lasts, and some States do not allow the exclusion or limitation of incidental or consequential damages. Therefore the above limitations may not apply to you. This Limited Warranty gives you specific legal rights, and you may have other rights that vary from State to State. You should consult applicable state laws to determine your rights. SO FAR AS IS CONSISTENT WITH APPLICABLE STATE LAW, ANY IMPLIED WARRANTIES THAT MAY NOT BE DISCLAIMED, INCLUDING THE IMPLIED WARRANTIES OF MERCHANTABILITY AND FITNESS FOR A PARTICULAR PURPOSE, ARE LIMITED IN DURATION TO ONE YEAR FROM THE DATE OF ORIGINAL SHIPMENT.
- SERVICE POLICY:** For inoperative products beyond the warranty period, we assume no liability for replacement of valves due to service conditions beyond our control.
- RETURNED GOODS:** No material shall be returned without authorization. When credit is issued it will be at the price charged, or prevailing price if lower, less handling charges based on costs of reconditioning, boxing, etc. However, a minimum 25% handling charge will apply. A minimum handling charge of \$20.00 is applied whenever the 25% handling deduction does not total \$20.00. Products which are obsolete or made to special order are not returnable.
- NOTE:** Prices and terms are subject to change without notice and supersede all previous quotations. The right is reserved to change or modify product design or construction without prior notice and without incurring any obligation to make such changes and modifications on products previously or subsequently sold.

HOW TO ORDER

1. Determine the type of valve assembly required, such as a Double Check Assembly (DC).
2. Determine size, options, and accessories.
3. Use the following pages to determine the part number, list price and shipping weight.
4. Contact your local representative or visit our website at www.FEBCOonline.com for up-to-date approvals.
5. Prices subject to change without notice.
6. Weights are estimated.

SINGLE DETECTOR CHECK ASSEMBLIES



A WATTS Brand

Model	Size	Ordering Code	UPC	Net Content	Consumer Unit Weight (lbs)	Case Qty	Case Weight (lbs)	List Price
-------	------	---------------	-----	-------------	----------------------------	----------	-------------------	------------

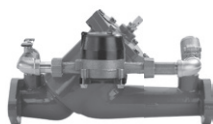
Single Detector Check Assemblies

Less Bypass

800	4"	800M	643925008111	1	122	-	-	\$ 1,844.00
800	6"	800R	643925008265	1	212	-	-	2,342.00
800	8"	800S	643925008463	1	337	-	-	4,234.00
800	10"	800T	643925008715	1	485	-	-	6,558.00
LEAD FREE	LF406	2"	88005353	643925546712	1	35.6	-	4,590.00
LEAD FREE	LF800	4"	88006232	643925539042	1	122	-	2,420.00
LEAD FREE	LF800	6"	88006230	643925539073	1	212	-	3,074.00
LEAD FREE	LF800	8"	88006237	-	1	337	-	5,560.00
LEAD FREE	LF800	10"	88006242	-	1	-	-	8,609.00



800



LF406

With Bypass

		GPM	CFM					
800	4"	800M2211	800M2311	643925008173	1	135	-	2,363.00
800	6"	800R2211	800R2311	643925008326	1	234	-	3,138.00
800	8"	800S2211	800S2311	643925008531	1	346	-	4,573.00
800	10"	800T2211	800T2311	643925008760	1	472	-	8,113.00
LEAD FREE	LF406	2"	88005355	88005354	643925550320	1	42.3	5,376.00
LEAD FREE	LF800	4"	88006229	88006227	643925539059	1	136	3,101.00
LEAD FREE	LF800	6"	88006233	88006234	643925539097	1	234	4,120.00
LEAD FREE	LF800	8"	88006238	88006239	643925565997	1	-	6,002.00
LEAD FREE	LF800	10"	88006244	88006245	-	1	-	10,650.00

DOUBLE CHECK VALVE ASSEMBLIES

Model	Size	Ordering Code	UPC	Net Content	Consumer Unit Weight (lbs)	Case Qty	Case Weight (lbs)	List Price
-------	------	---------------	-----	-------------	----------------------------	----------	-------------------	------------

Double Check Valve Assemblies-Bronze Body

With Quarter-Turn Shutoff Valves

850-QT DC	1/2"	1111	643925000535	1	4.99	-	-	\$ 303.50
850-QT DC	3/4"	1112	643925000542	1	5.05	-	-	321.50
850-QT DC	1"	1113	643925000559	1	7.55	-	-	362.00
850-QT DC	1 1/4"	1114	643925000566	1	16.65	-	-	685.00
850-QT DC	1 1/2"	1115	643925000573	1	18.65	-	-	725.00
850-QT DC	2"	1116	643925000580	1	23.35	-	-	863.50
LEAD FREE	LF850-QT DC	1/2"	0683038	098268455540	1	4.99	-	411.00
LEAD FREE	LF850-QT DC	3/4"	0683039	098268455557	1	5.05	-	437.00
LEAD FREE	LF850-QT DC	1"	0683040	098268455564	1	7.55	-	488.50
LEAD FREE	LF850-QT DC	1 1/4"	0683041	098268455571	1	16.65	-	928.50
LEAD FREE	LF850-QT DC	1 1/2"	0683042	098268455588	1	18.65	-	987.00
LEAD FREE	LF850-QT DC	2"	0683043	098268455595	1	23.35	-	1,174.00



Model LF850-QT DC

With Union Connections and Quarter-Turn Shutoff Valves

850U-QT DC	1/2"	2611	643925017441	1	4.6	-	-	353.50
850U-QT DC	3/4"	2612	643925017458	1	6	-	-	387.00
850U-QT DC	1"	2613	643925017465	1	8.85	-	-	422.50
850U-QT DC	1 1/2"	2615	643925017489	1	21.8	-	-	883.50
850U-QT DC	2"	2616	643925017496	1	25.25	-	-	1,032.00
LEAD FREE	LF850U-QT DC	1/2"	0122963	098268734614	1	4.6	-	478.50
LEAD FREE	LF850U-QT DC	3/4"	0122964	098268649888	1	6	-	525.00
LEAD FREE	LF850U-QT DC	1"	0122965	098268649901	1	8.85	-	574.50
LEAD FREE	LF850U-QT DC	1 1/4"	0122966	098268649918	1	17.4	-	1,170.00
LEAD FREE	LF850U-QT DC	1 1/2"	0122967	098268649963	1	21.8	-	1,202.00
LEAD FREE	LF850U-QT DC	2"	0122968	098268649970	1	25.25	-	1,401.00

*The wetted surface of this product contacted by consumable water contains less than 0.25% of lead by weight.

Supersedes all other price lists / Prices subject to change / Weights are estimated

¹Grooved ends available on all OS&Y gate valves in some models and sizes. Expect larger lead times.

DOUBLE CHECK VALVE ASSEMBLIES



A WATTS Brand

Model	Size	Ordering Code	UPC	Net Content	Consumer Unit Weight (lbs)	Case Qty	Case Weight (lbs)	List Price
-------	------	---------------	-----	-------------	----------------------------	----------	-------------------	------------

Double Check Valve Assemblies-Ductile Iron Body

Inline, Less Shutoff Valves

LEAD FREE	LF850-LG DC	2 1/2"	0124520	098268836790	1	165	-	\$ 3,205.00
	LF850-LG DC	3"	0124522	098268836813	1	165	-	3,669.00
	LF850-LG DC	4"	0124523	098268836820	1	235	-	3,786.00
	LF850-LG DC	6"	0124524	098268836837	1	320	-	5,917.00
	LF850-LG DC	8"	0124525	098268836844	1	520	-	11,687.00
	LF850-LG DC	10"	0124526	098268836851	1	595	-	16,093.00

Inline, NRS Shutoff Valves

LEAD FREE	LF850-NRS DC	2 1/2"	0124527	098268836868	1	265	-	4,802.00
	LF850-NRS DC	3"	0124528	098268836875	1	290	-	5,498.00
	LF850-NRS DC	4"	0124529	098268836882	1	435	-	5,675.00
	LF850-NRS DC	6"	0124530	098268836899	1	605	-	8,869.00
	LF850-NRS DC	8"	0124531	098268836905	1	1000	-	17,525.00
	LF850-NRS DC	10"	0124532	098268836912	1	1410	-	24,138.00

Inline, Domestic NRS Shutoffs

LEAD FREE	LF850-DNRS DC	2 1/2"	0683080	643925026108	1	260	-	4,802.00
	LF850-DNRS DC	3"	0683081	643925026115	1	285	-	5,498.00
	LF850-DNRS DC	4"	0683082	643925026122	1	425	-	5,675.00
	LF850-DNRS DC	6"	0683083	643925026139	1	595	-	8,869.00
	LF850-DNRS DC	8"	0683084	643925026146	1	980	-	17,525.00
	LF850-DNRS DC	10"	0683085	643925026153	1	1410	-	24,138.00

Inline, OSY Shutoff Valves

LEAD FREE	LF850-DOSY DC	2 1/2"	0683074	643925026047	1	270	-	5,121.00
	LF850-DOSY DC	3"	0683075	643925026054	1	295	-	5,867.00
	LF850-DOSY DC	4"	0683076	643925026061	1	445	-	6,054.00
	LF850-DOSY DC	6"	0683077	643925026078	1	625	-	9,462.00
	LF850-DOSY DC	8"	0683078	643925026085	1	1030	-	18,693.00
	LF850-DOSY DC	10"	0683079	643925026092	1	1450	-	25,742.00



LF850-NRS DC
Horizontal Installation



LF850-NRS DC
Vertical Installation

*The wetted surface of this product contacted by consumable water contains less than 0.25% of lead by weight.

Supersedes all other price lists / Prices subject to change / Weights are estimated

¹Grooved ends available on all OS&Y gate valves in some models and sizes. Expect larger lead times.

DOUBLE CHECK VALVE ASSEMBLIES



A WATTS Brand

Model	Size	Ordering Code	UPC	Net Content	Consumer Unit Weight (lbs)	Case Qty	Case Weight (lbs)	List Price
-------	------	---------------	-----	-------------	----------------------------	----------	-------------------	------------

Double Check Valve Assemblies-Ductile Iron Body Continued

N-Pattern, Less Shutoff Valves

LEAD FREE	LF870V-LG DC	2 1/2"	0124536	098268836950	1	145	-	\$ 3,527.00
	LF870V-LG DC	3"	0124537	098268836967	1	145	-	4,035.00
	LF870V-LG DC	4"	0124538	098268836974	1	235	-	4,167.00
	LF870V-LG DC	6"	0124539	098268836981	1	395	-	6,508.00
	LF870V-LG DC	8"	0124540	098268836998	1	640	-	12,855.00
	LF870V-LG DC	10"	0124541	098268837001	1	711	-	17,701.00

N-Pattern, NRS Shutoff Valves

LEAD FREE	LF870V-NRS DC	2 1/2"	0124542	098268837018	1	245	-	5,282.00
	LF870V-NRS DC	3"	0124543	098268837025	1	270	-	6,046.00
	LF870V-NRS DC	4"	0124544	098268837032	1	435	-	6,244.00
	LF870V-NRS DC	6"	0124545	098268837049	1	680	-	9,757.00
	LF870V-NRS DC	8"	0124546	098268837056	1	1115	-	19,277.00
	LF870V-NRS DC	10"	0124547	098268837063	1	1525	-	26,548.00

N-Pattern, OSY Shutoff Valves

LEAD FREE	LF870V-DOSY DC	2 1/2"	0683110	643925026405	1	250	-	5,635.00
	LF870V-DOSY DC	3"	0683111	643925026412	1	275	-	6,453.00
	LF870V-DOSY DC	4"	0683112	643925026429	1	445	-	6,659.00
	LF870V-DOSY DC	6"	0683113	643925026436	1	700	-	10,406.00
	LF870V-DOSY DC	8"	0683114	643925026443	1	1145	-	20,557.00
	LF870V-OSY DC	10"	0124553	098268837193	1	1565	-	28,318.00

N-Pattern, Domestic NRS Shutoffs

LEAD FREE	LF870V-DNRS DC	2 1/2"	0683116	643925026467	1	240	-	5,282.00
	LF870V-DNRS DC	3"	0683117	643925026474	1	265	-	6,046.00
	LF870V-DNRS DC	4"	0683118	643925026481	1	425	-	6,244.00
	LF870V-DNRS DC	6"	0683119	643925026498	1	670	-	9,757.00
	LF870V-DNRS DC	8"	0683120	643925026504	1	1095	-	19,277.00
	LF870V-DNRS DC	10"	0683121	643925026511	1	1525	-	26,548.00

N-Pattern, Longer Lay Length, Less Shutoff Valves

LEAD FREE	LF870W-LG	4"	88005412	643925557589	1	225	-	4,167.00
	LF870W-LG	6"	88005413	643925557909	1	386	-	6,508.00
	LF870W-LG	8"	88005400	643925559552	1	593	-	12,855.00
	LF870W-LG	10"	88005401	643925559224	1	770	-	17,701.00

N-Pattern, Longer Lay Length, NRS Shutoff Valves

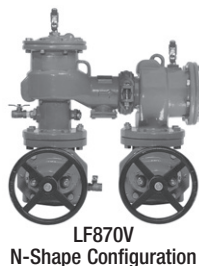
LEAD FREE	LF870W-NRS	4"	88005402	643925557558	1	425	-	6,244.00
	LF870W-NRS	6"	88005421	643925557879	1	670	-	9,757.00
	LF870W-NRS	8"	88005422	643925559569	1	1096	-	19,277.00
	LF870W-NRS	10"	88005403	643925559231	1	1586	-	26,548.00

N-Pattern, Longer Lay Length, Domestic NRS Shutoff Valves

LEAD FREE	LF870W-DNRS	4"	88005408	643925557572	1	425	-	6,244.00
	LF870W-DNRS	6"	88005415	643925557893	1	670	-	9,757.00
	LF870W-DNRS	8"	88005420	643925559613	1	1096	-	19,277.00
	LF870W-DNRS	10"	88005419	643925559200	1	1586	-	26,548.00

N-Pattern, Longer Lay Length, OSY Shutoff Valves

LEAD FREE	LF870W-DOSY	4"	88005407	643925557565	1	435	-	6,659.00
	LF870W-DOSY	6"	88005417	643925557886	1	690	-	10,406.00
	LF870W-DOSY	8"	88005414	643925559545	1	1110	-	20,557.00
	LF870W-DOSY	10"	88005416	643925559217	1	1624	-	28,318.00



LF870V
N-Shape Configuration

*The wetted surface of this product contacted by consumable water contains less than 0.25% of lead by weight.

Supersedes all other price lists / Prices subject to change / Weights are estimated

¹Grooved ends available on all OS&Y gate valves in some models and sizes. Expect larger lead times.

DOUBLE CHECK VALVE ASSEMBLIES



A WATTS Brand

Model	Size	Ordering Code	UPC	Net Content	Consumer Unit Weight (lbs)	Case Qty	Case Weight (lbs)	List Price
Double Check Valve Assemblies-Ductile Iron Body Continued								
Z-Pattern, Longer Lay Length, Less Shutoff Valves								
LF870WZ-LG	4"	88007320	643925557619	1	225	-	-	\$4,167.00
LF870WZ-LG	6"	88007323	643925557930	1	386	-	-	6,508.00
LF870WZ-LG	8"	88007326	643925559606	1	598	-	-	12,855.00
LF870WZ-LG	10"	88007317	643925559279	1	775	-	-	17,701.00
Z-Pattern, Longer Lay Length, Domestic NRS Shutoff Valves								
LF870WZ-DNRS	4"	88007318	643925557602	1	425	-	-	6,244.00
LF870WZ-DNRS	6"	88007321	643925557923	1	670	-	-	9,757.00
LF870WZ-DNRS	8"	88007324	643925559583	1	1101	-	-	19,277.00
LF870WZ-DNRS	10"	88007315	643925559255	1	1591	-	-	26,548.00
Z-Pattern, Longer Lay Length, OSY Shutoff Valves								
LF870WZ-DOSY	4"	88007319	643925557596	1	435	-	-	6,659.00
LF870WZ-DOSY	6"	88007322	643925557916	1	690	-	-	10,406.00
LF870WZ-DOSY	8"	88007325	643925559590	1	1115	-	-	20,557.00
LF870WZ-DOSY	10"	88007316	643925559262	1	1629	-	-	28,318.00

*The wetted surface of this product contacted by consumable water contains less than 0.25% of lead by weight.

Supersedes all other price lists / Prices subject to change / Weights are estimated

¹Grooved ends available on all OS&Y gate valves in some models and sizes. Expect larger lead times.

DOUBLE CHECK DETECTOR VALVE ASSEMBLIES



A WATTS Brand

Model	Size	Ordering Code	UPC	Net Content	Consumer Unit Weight (lbs)	Case Qty	Case Weight (lbs)	List Price
-------	------	---------------	-----	-------------	----------------------------	----------	-------------------	------------

Double Check Detector Assemblies (Type II) DUCTILE Iron Body

Inline, Less Shutoff Valves

		GPM	CFM					
LEAD FREE	LF856-LF-GPM	2 1/2"	0124426	-	098268833362	1	174	\$ 4,285.00
	LF856-LF-GPM	3"	0124427	-	098268833386	1	180	4,901.00
	LF856-LF-GPM	4"	0124428	-	098268833393	1	210	5,059.00
	LF856-LF-GPM	6"	0124429	-	098268833409	1	317	7,906.00
	LF856-LF-GPM	8"	0124430	-	098268833423	1	541	15,622.00
	LF856-LF-GPM	10"	0124431	-	098268833430	1	559	21,515.00

Inline, OSY Shutoff Valves

		GPM	CFM					
LEAD FREE	LF856-DOSY-GPM	2 1/2"	0124433	0124435	098268833492	1	285	6,847.00
	LF856-DOSY-GPM	3"	0124438	0124440	098268833539	1	310	7,838.00
	LF856-DOSY-GPM	4"	0124443	0124445	098268833652	1	460	8,090.00
	LF856-DOSY-GPM	6"	0124449	0124451	098268834772	1	640	12,646.00
	LF856-DOSY-GPM	8"	0124455	0124458	098268834918	1	1045	24,990.00
	LF856-DOSY-GPM	10"	0124461	0124463	098268835281	1	1465	34,417.00

N-Pattern, OSY Shutoff Valves

		GPM	CFM					
LEAD FREE	LF876V-DOSY-GPM	2 1/2"	0124472	0124474	098268835397	1	265	7,532.00
	LF876V-DOSY-GPM	3"	0124476	0124844	098268835441	1	290	8,626.00
	LF876V-DOSY-GPM	4"	0124478	0124480	098268835489	1	460	8,898.00
	LF876V-DOSY-GPM	6"	0124483	0124485	098268835625	1	715	13,909.00
	LF876V-DOSY-GPM	8"	0124488	0124490	098268835748	1	1160	27,487.00
	LF876V-DOSY DC	10"	0124493	0124495	098268835793	1	1220	37,861.00

N-Pattern, Longer Lay Length, Less Shutoff Valves

		GPM	CFM					
LEAD FREE	LF876W-LG	4"	88007331		643925557657	1	255	5,564.00
	LF876W-LG	6"	88007338		643925557978	1	410	8,699.00
	LF876W-LG	8"	88007343		643925559422	1	605	17,185.00
	LF876W-LG	10"	88007330		643925559156	1	791	23,668.00

N-Pattern, Longer Lay Length, OSY Shutoff Valves

		GPM	CFM					
LEAD FREE	LF876W-DOSY	4"	88007333	88007332	643925557626	1	450	8,898.00
	LF876W-DOSY	6"	88007336	88007335	643925557947	1	705	13,909.00
	LF876W-DOSY	8"	88007340	88007339	643925559392	1	1123	27,487.00
	LF876W-DOSY	10"	88007328	88007327	643925559132	1	1641	37,861.00

Z-Pattern, Longer Lay Length, Less Shutoff Valves

		GPM	CFM					
LEAD FREE	LF876WZ-LG	4"	88007348		643925557695	1	255	5,564.00
	LF876WZ-LG	6"	88007355		643925558005	1	410	8,699.00
	LF876WZ-LG	8"	88007360		643925559477	1	610	17,185.00
	LF876WZ-LG	10"	88007347		643925559194	1	796	23,668.00

Z-Pattern, Longer Lay Length, OSY Shutoff Valves

		GPM	CFM					
LEAD FREE	LF876WZ-DOSY	4"	88007350	88007349	643925557664	1	450	8,898.00
	LF876WZ-DOSY	6"	88007353	88007352	643925558302	1	705	13,909.00
	LF876WZ-DOSY	8"	88007357	88007356	643925559446	1	1128	27,487.00
	LF876WZ-DOSY	10"	88007345	88007344	643925559170	1	1646	37,861.00



LF856DCDA-OSY



LF876VDCDA
N-Shape Configuration

*The wetted surface of this product contacted by consumable water contains less than 0.25% of lead by weight.

Supersedes all other price lists / Prices subject to change / Weights are estimated

¹Grooved ends available on all OS&Y gate valves in some models and sizes. Expect larger lead times.

REDUCED PRESSURE ZONE ASSEMBLIES



A WATTS Brand

Model	Size	Ordering Code	UPC	Net Content	Consumer Unit Weight (lbs)	Case Qty	Case Weight (lbs)	List Price
-------	------	---------------	-----	-------------	----------------------------	----------	-------------------	------------

Reduced Pressure Zone Assemblies-Bronze Body

With Quarter-Turn Shutoff Valves

825Y-QT RP	3/4"	825DBV	643925001686	1	12.9	-	-	\$ 660.00
825Y-QT RP	1"	825EBV	643925001815	1	14.06	-	-	696.50
825Y-QT RP	1 1/4"	825FBV	643925001945	1	15.65	-	-	1,283.00
825Y-QT RP	1 1/2"	825GBV	643925002003	1	32.2	-	-	1,320.00
825Y-QT RP	2"	825HBV	643925002133	1	37.85	-	-	1,401.00



LF825Y-QT RP	3/4"	0683006	098268455274	1	12.9	-	-	895.50
LF825Y-QT RP	1"	0683007	098268455281	1	14.06	-	-	944.50
LF825Y-QT RP	1 1/4"	0683008	098268455298	1	15.65	-	-	1,740.00
LF825Y-QT RP	1 1/2"	0683009	098268455304	1	32.2	-	-	1,792.00
LF825Y-QT RP	2"	0683010	098268455311	1	37.85	-	-	1,901.00



With Angled Union Connections and Quarter-Turn Shutoff Valves

825YA-QT RP	3/4"	825DBV70	643925001716	1	15.15	-	-	854.00
825YA-QT RP	1"	825EBV70	643925001853	1	16.15	-	-	910.00
825YA-QT RP	1 1/2"	825GBV70	643925002041	1	39	-	-	1,648.00
825YA-QT RP	2"	825HBV70	643925002164	1	44.75	-	-	1,781.00
LF825YA-QT RP	3/4"	0683011	098268455328	1	15.15	-	-	1,160.00
LF825YA-QT RP	1"	0683012	098268455335	1	16.15	-	-	1,235.00
LF825YA-QT RP	1 1/2"	0683013	098268455342	1	39	-	-	2,236.00
LF825YA-QT RP	2"	0683014	098268455359	1	44.75	-	-	2,423.00

With Quarter-Turn Shutoff Valves

860-QT RP	1/2"	1311	643925000658	1	6.5	-	-	564.50
860-QT RP	3/4"	1312	643925000665	1	7.15	-	-	590.50
860-QT RP	1"	1313	643925000672	1	9.55	-	-	629.50
860-QT RP	1 1/4"	1314	643925000689	1	20.95	-	-	1,204.00
860-QT RP	1 1/2"	1315	643925000696	1	23.4	-	-	1,284.00
860-QT RP	2"	1316	643925000702	1	27.75	-	-	1,364.00

LF860-QT RP	1/2"	0683000	098268455212	1	6.5	-	-	766.50
LF860-QT RP	3/4"	0683001	098268455229	1	7.15	-	-	800.50
LF860-QT RP	1"	0683002	098268455236	1	9.55	-	-	852.50
LF860-QT RP	1 1/4"	0683003	098268455243	1	20.95	-	-	1,636.00
LF860-QT RP	1 1/2"	0683004	098268455250	1	23.4	-	-	1,745.00
LF860-QT RP	2"	0683005	098268455267	1	27.75	-	-	1,857.00



With Union Connections and Quarter-Turn Shutoff Valves

860U-QT RP	1/2"	2811	643925017564	1	7.25	-	-	682.00
860U-QT RP	3/4"	2812	643925017571	1	8.2	-	-	769.50
860U-QT RP	1"	2813	643925017588	1	10.6	-	-	841.00
860U-QT RP	1 1/4"	2814	643925017601	1	22.2	-	-	1,360.00
860U-QT RP	1 1/2"	2815	643925017625	1	25.9	-	-	1,551.00
860U-QT RP	2"	2816	643925017649	1	31.3	-	-	1,653.00

LF860U-QT RP	1/2"	0122969	098268649987	1	7.25	-	-	928.00
LF860U-QT RP	3/4"	0122970	098268649994	1	8.2	-	-	1,046.00
LF860U-QT RP	1"	0122971	098268650006	1	10.6	-	-	1,144.00
LF860U-QT RP	1 1/4"	0122972	098268650013	1	22.2	-	-	1,847.00
LF860U-QT RP	1 1/2"	0122973	098268650020	1	25.9	-	-	2,111.00
LF860U-QT RP	2"	0122974	098268650037	1	31.3	-	-	2,244.00

*The wetted surface of this product contacted by consumable water contains less than 0.25% of lead by weight.

Supersedes all other price lists / Prices subject to change / Weights are estimated

¹Grooved ends available on all OS&Y gate valves in some models and sizes. Expect larger lead times.

REDUCED PRESSURE ZONE ASSEMBLIES



A WATTS Brand

Model	Size	Ordering Code	UPC	Net Content	Consumer Unit Weight (lbs)	Case Qty	Case Weight (lbs)	List Price
-------	------	---------------	-----	-------------	----------------------------	----------	-------------------	------------

Reduced Pressure Zone Assemblies-ductile Iron Body

Inline, Less Shutoff Valves

LEAD FREE	Model	Size	Ordering Code	UPC	Net Content	Consumer Unit Weight (lbs)	Case Qty	Case Weight (lbs)	List Price
	LF860-LG RP	2 1/2"	0122926	098268648126	1	195	-	-	\$ 4,531.00
	LF860-LG RP	3"	0122927	098268648133	1	195	-	-	5,264.00
	LF860-LG RP	4"	0122928	098268648140	1	265	-	-	5,826.00
	LF860-LG RP	6"	0122929	098268648232	1	360	-	-	9,265.00
	LF860-LG RP	8"	0122930	098268648256	1	560	-	-	16,216.00
	LF860-LG RP	10"	0122931	098268648263	1	635	-	-	22,094.00

Inline, NRS Shutoff Valves

LEAD FREE	Model	Size	Ordering Code	UPC	Net Content	Consumer Unit Weight (lbs)	Case Qty	Case Weight (lbs)	List Price
	LF860-NRS RP	2 1/2"	0122932	098268648331	1	295	-	-	6,790.00
	LF860-NRS RP	3"	0122933	098268648348	1	320	-	-	7,894.00
	LF860-NRS RP	4"	0122934	098268648355	1	465	-	-	8,734.00
	LF860-NRS RP	6"	0122935	098268648393	1	645	-	-	13,892.00
	LF860-NRS RP	8"	0122936	098268648492	1	1040	-	-	24,319.00
	LF860-NRS RP	10"	0122937	098268648508	1	1440	-	-	33,138.00

Inline, Less Shutoff Valves

LEAD FREE	Model	Size	Ordering Code	UPC	Net Content	Consumer Unit Weight (lbs)	Case Qty	Case Weight (lbs)	List Price
	LF860-DOSY RP	2 1/2"	0683098	643925026283	1	300	-	-	7,244.00
	LF860-DOSY RP	3"	0683099	643925026290	1	325	-	-	8,419.00
	LF860-DOSY RP	4"	0683100	643925026306	1	475	-	-	9,315.00
	LF860-DOSY RP	6"	0683101	643925026313	1	665	-	-	14,815.00
	LF860-DOSY RP	8"	0683102	643925026320	1	1070	-	-	25,937.00
	LF860-DOSY RP	10"	0683103	643925026337	1	1480	-	-	35,346.00

N-Pattern, Less Shutoff Valves

LEAD FREE	Model	Size	Ordering Code	UPC	Net Content	Consumer Unit Weight (lbs)	Case Qty	Case Weight (lbs)	List Price
	LF880V-LG RP	2 1/2"	0122945	098268649000	1	165	-	-	4,921.00
	LF880V-LG RP	3"	0122946	098268649024	1	165	-	-	5,724.00
	LF880V-LG RP	4"	0122947	098268649048	1	255	-	-	6,325.00
	LF880V-LG RP	6"	0122948	098268649109	1	415	-	-	10,064.00
	LF880V-LG RP	8"	0122949	098268649116	1	660	-	-	17,615.00
	LF880V-LG DC	10"	0122950	098268649123	1	731	-	-	24,006.00

N-Pattern, NRS Shutoff Valves

LEAD FREE	Model	Size	Ordering Code	UPC	Net Content	Consumer Unit Weight (lbs)	Case Qty	Case Weight (lbs)	List Price
	LF880V-NRS RP	2 1/2"	0122951	098268649130	1	265	-	-	7,379.00
	LF880V-NRS RP	3"	0122952	098268649147	1	290	-	-	8,579.00
	LF880V-NRS RP	4"	0122953	098268649154	1	455	-	-	9,487.00
	LF880V-NRS RP	6"	0122954	098268649208	1	700	-	-	15,096.00
	LF880V-NRS RP	8"	0122955	098268649215	1	1135	-	-	26,422.00
	LF880V-NRS DC	10"	0122956	098268649253	1	1545	-	-	36,007.00

N-Pattern, OSY Shutoff Valves

LEAD FREE	Model	Size	Ordering Code	UPC	Net Content	Consumer Unit Weight (lbs)	Case Qty	Case Weight (lbs)	List Price
	LF880V-DOSY RP	2 1/2"	0683134	6439255026641	1	270	-	-	7,871.00
	LF880V-DOSY RP	3"	0683135	6439255026658	1	295	-	-	9,148.00
	LF880V-DOSY RP	4"	0683136	6439255026665	1	465	-	-	10,119.00
	LF880V-DOSY RP	6"	0683137	6439255026672	1	720	-	-	16,100.00
	LF880V-DOSY RP	8"	0683138	6439255026689	1	1165	-	-	28,182.00
	LF880V-DOSY DC	10"	0683139	643925026696	1	1585	-	-	38,404.00

N-Pattern, Domestic NRS Shutoff Valves

LEAD FREE	Model	Size	Ordering Code	UPC	Net Content	Consumer Unit Weight (lbs)	Case Qty	Case Weight (lbs)	List Price
	LF880V-DNRS RP	2 1/2"	0683140	643925026702	1	260	-	-	7,379.00
	LF880V-DNRS RP	3"	0683141	643925026719	1	285	-	-	8,579.00
	LF880V-DNRS RP	4"	0683142	643925026726	1	445	-	-	9,487.00
	LF880V-DNRS RP	6"	0683143	643925026733	1	690	-	-	15,096.00
	LF880V-DNRS RP	8"	0683144	643925026740	1	1115	-	-	26,422.00
	LF880V-DNRS RP	10"	0683145	643925026757	1	1545	-	-	36,003.00

N-Pattern, Longer Lay Length, Less Shutoff Valves

LEAD FREE	Model	Size	Ordering Code	UPC	Net Content	Consumer Unit Weight (lbs)	Case Qty	Case Weight (lbs)	List Price
	LF880W-LG	4"	88007366	643925557725	1	255	-	-	6,325.00
	LF880W-LG	6"	88007369	643925558036	1	406	-	-	10,064.00
	LF880W-LG	8"	88007372	643925559507	1	618	-	-	17,615.00
	LF880W-LG	10"	88007363	643925559088	1	796	-	-	24,006.00



LF860-NRS RP



LF880V
N-Shape Configuration

*The wetted surface of this product contacted by consumable water contains less than 0.25% of lead by weight.

Supersedes all other price lists / Prices subject to change / Weights are estimated

¹Grooved ends available on all OS&Y gate valves in some models and sizes. Expect larger lead times.

REDUCED PRESSURE ZONE ASSEMBLIES



A WATTS Brand

Model	Size	Ordering Code	UPC	Net Content	Consumer Unit Weight (lbs)	Case Qty	Case Weight (lbs)	List Price
Reduced Pressure Zone Assemblies-ductile Iron Body								
N-Pattern, Longer Lay Length, Domestic NRS Shutoff Valves								
LEAD FREE	LF880W-DNRS	4"	88007364	643925557718	1	445	-	9,487.00
	LF880W-DNRS	6"	88007367	643925558029	1	690	-	15,096.00
	LF880W-DNRS	8"	88007370	643925559484	1	1116	-	26,422.00
	LF880W-DNRS	10"	88007361	643925559064	1	1612	-	36,003.00
N-Pattern, Longer Lay Length, OSY Shutoff Valves								
LEAD FREE	LF880W-DOSY	4"	88007365	643925557701	1	455	-	10,119.00
	LF880W-DOSY	6"	88007368	643925558012	1	710	-	16,100.00
	LF880W-DOSY	8"	88007371	643925559491	1	1135	-	28,182.00
	LF880W-DOSY	10"	88007362	643925559071	1	1650	-	38,404.00
Z-Pattern, Longer Lay Length, Less Shutoff Valves								
LEAD FREE	LF880WZ-LG	4"	88007378	643925557756	1	255	-	6,325.00
	LF880WZ-LG	6"	88007381	643925558067	1	406	-	10,064.00
	LF880WZ-LG	8"	88007384	643925559538	1	618	-	17,615.00
	LF880WZ-LG	10"	88007375	643925559118	1	801	-	24,006.00
Z-Pattern, Longer Lay Length, Domestic NRS Shutoff Valves								
LEAD FREE	LF880WZ-DNRS	4"	88007376	643925557749	1	445	-	9,487.00
	LF880WZ-DNRS	6"	88007379	643925557473	1	690	-	15,096.00
	LF880WZ-DNRS	8"	88007382	643925559514	1	1121	-	26,422.00
	LF880WZ-DNRS	10"	88007373	643925559095	1	1617	-	36,003.00
Z-Pattern, Longer Lay Length, OSY Shutoff Valves								
LEAD FREE	LF880WZ-DOSY	4"	88007377	643925557732	1	455	-	10,119.00
	LF880WZ-DOSY	6"	88007380	643925558043	1	710	-	16,100.00
	LF880WZ-DOSY	8"	88007383	643925559521	1	1135	-	28,182.00
	LF880WZ-DOSY	10"	88007374	643925559101	1	1655	-	38,404.00

*The wetted surface of this product contacted by consumable water contains less than 0.25% of lead by weight.

Supersedes all other price lists / Prices subject to change / Weights are estimated

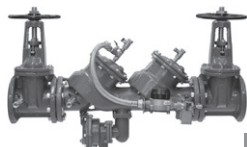
¹Grooved ends available on all OS&Y gate valves in some models and sizes. Expect larger lead times.

REDUCED PRESSURE DETECTOR ASSEMBLIES



A WATTS Brand

Model	Size	Ordering Code	UPC	Net Content	Consumer Unit Weight (lbs)	Case Qty	Case Weight (lbs)	List Price
-------	------	---------------	-----	-------------	----------------------------	----------	-------------------	------------



LF866

Reduced Pressure Detector Assemblies (type ii) DUCTILE Iron Body

Inline Pattern Less Shutoff Valves

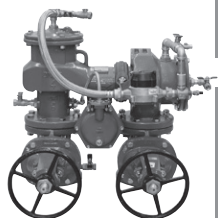
			GPM	CFM					
LEAD FREE	LF866-LG	2 1/2"	0683150	0683156	098268077797	1	205	-	\$ 5,375.00
	LF866-LG	3"	0683151	0683157	098268077803	1	211	-	6,250.00
	LF866-LG	4"	0683152	0683158	098268077810	1	280	-	6,914.00
	LF866-LG	6"	0683153	0683159	098268077827	1	375	-	10,998.00
	LF866-LG	8"	0683154	0683160	098268077858	1	525	-	19,252.00
	LF866-LG	10"	0683155	0683161	098268077896	1	650	-	26,230.00

Inline Pattern, OSY Shutoff Valves

LEAD FREE	LF866-DOSY	2 1/2"	0683162	0683163	098268078022	1	315	-	8,595.00
	LF866-DOSY	3"	0683164	0683165	098268078039	1	340	-	9,997.00
	LF866-DOSY	4"	0683166	0683167	098268078060	1	450	-	11,055.00
	LF866-DOSY	6"	0683168	0683169	098268078114	1	680	-	17,591.00
	LF866-DOSY	8"	0683170	0683171	098268078145	1	1080	-	30,793.00
	LF866-DOSY	10"	0683172	0683173	098268078169	1	1495	-	41,963.00

N-Pattern, OSY Shutoff Valves

LEAD FREE	LF886V-DOSY	2 1/2"	0683210	0683211	098268079166	1	288	-	9,454.00
	LF886V-DOSY	3"	0683212	0683213	098268079210	1	320	-	10,994.00
	LF886V-DOSY	4"	0683214	0683215	098268079241	1	480	-	12,162.00
	LF886V-DOSY	6"	0683216	0683217	098268079364	1	735	-	19,348.00
	LF886V-DOSY	8"	0683218	0683219	098268079395	1	1180	-	33,872.00
	LF886V-DOSY DC	10"	0683220	0683221	098268079425	1	1363	-	46,161.00



LF886V

N-Pattern, Longer Lay Length, Less Shutoff Valves

LEAD FREE	LF886W-LG	4"	88007394	88007393	643925557794	1	172	-	7,605.00
	LF886W-LG	6"	88007399	88007398	643925558104	1	245	-	12,094.00
	LF886W-LG	8"	88007404	88007403	643925559323	1	658	-	21,174.00
	LF886W-LG	10"	88007389	88007388	643925559828	1	987	-	28,851.00

N-Pattern, Longer Lay Length, OSY Shutoff Valves

LEAD FREE	LF886W-DOSY	4"	88007391	88007390	643925557763	1	342	-	12,162.00
	LF886W-DOSY	6"	88007396	88007395	643925558074	1	530	-	19,348.00
	LF886W-DOSY	8"	88007401	88007400	643925559293	1	1143	-	33,872.00
	LF886W-DOSY	10"	88007386	88007385	643925559798	1	987	-	46,161.00

Z-Pattern, Longer Lay Length, Less Shutoff Valves

LEAD FREE	LF886WZ-LG	4"	88007414	88007413	643925557848	1	172	-	7,605.00
	LF886WZ-LG	6"	88007419	88007418	643925558159	1	245	-	12,094.00
	LF886WZ-LG	8"	88007424	88007423	643925559378	1	662	-	21,174.00
	LF886WZ-LG	10"	88007409	88007408	643925559873	1	987	-	28,851.00

Z-Pattern, Longer Lay Length, OSY Shutoff Valves

LEAD FREE	LF886WZ-DOSY	4"	88007411	88007410	643925557817	1	342	-	12,162.00
	LF886WZ-DOSY	6"	88007416	88007415	643925558128	1	530	-	19,348.00
	LF886WZ-DOSY	8"	88007421	88007420	643925559347	1	1147	-	33,872.00
	LF886WZ-DOSY	10"	88007406	88007405	643925559842	1	987	-	46,161.00

*The wetted surface of this product contacted by consumable water contains less than 0.25% of lead by weight.

Supersedes all other price lists / Prices subject to change / Weights are estimated

¹Grooved ends available on all OS&Y gate valves in some models and sizes. Expect larger lead times.

Model	Size	Ordering Code	UPC	Net Content	Consumer Unit Weight (lbs)	Case Qty	Case Weight (lbs)	List Price
-------	------	---------------	-----	-------------	----------------------------	----------	-------------------	------------

Atmospheric Vacuum Breaker

715A AVB	3/4"	715D	643925001051	1	1.39	-	-	\$ 143.00
710A AVB	1"	710E	643925000948	1	2.12	-	-	187.00
710A AVB	1 1/4"	710F	643925000962	1	3.49	-	-	306.50
710A AVB	1 1/2"	710G	643925000986	1	5.84	-	-	327.00
710A AVB	2"	710H	643925001006	1	6	-	-	435.50

Pressure Vacuum Breaker with Quarter-Turn Shutoffs

765-QT PVB	1/2"	765CBV	643925001105	1	3.1	-	-	246.00
765-QT PVB	3/4"	765DBV	643925001112	1	3.6	-	-	250.50
765-QT PVB	1"	765EBV	643925001136	1	8.35	-	-	281.50
765-QT PVB	1 1/4"	765FBV	643925001150	1	8.4	-	-	834.50
765-QT PVB	1 1/2"	765GBV	643925001174	1	19.4	-	-	916.50
765-QT PVB	2"	765HBV	643925001198	1	22.2	-	-	1,019.00

Pressure Vacuum Breaker w/Union Connections and Quarter-Turn Shutoffs

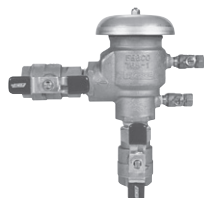
U765-QT PVB	1/2"	765CUB	643925017953	1	4	-	-	277.50
U765-QT PVB	3/4"	765DUB	643925017960	1	4.75	-	-	281.50
U765-QT PVB	1"	765EUB	643925017977	1	8.35	-	-	323.50
U765-QT PVB	1 1/4"	765FUB	643925017984	1	10.81	-	-	916.50
U765-QT PVB	1 1/2"	765GUB	643925017991	1	23.4	-	-	1,047.00
U765-QT PVB	2"	765HUB	643925018004	1	28.75	-	-	1,176.00

Freeze Resistant Pressure Vacuum Breaker with Quarter-Turn Shutoffs

LF767FR PVB	1/2"	0683027	098268455489	1	3.3	-	-	691.00
LF767FR PVB	3/4"	0683028	098268455496	1	4.1	-	-	691.00
LF767FR PVB	1"	0683029	098268455502	1	5.9	-	-	700.00
LF767FR PVB	1 1/4"	0683030	098268455519	1	11.3	-	-	1,253.00
LF767FR PVB	1 1/2"	0683031	098268455526	1	16.52	-	-	1,412.00
LF767FR PVB	2"	0683032	098268455533	1	17.8	-	-	1,587.00



710 / 715 AVB



765-QT PVB



LF767FR

*The wetted surface of this product contacted by consumable water contains less than 0.25% of lead by weight.

Supersedes all other price lists / Prices subject to change / Weights are estimated

¹Grooved ends available on all OS&Y gate valves in some models and sizes. Expect larger lead times.

Model	Size	Ordering Code	UPC	Net Content	Consumer Unit Weight (lbs)	Case Qty	Case Weight (lbs)	List Price
Air Gap								
867-AG-1	2 1/2" - 3"	0710199	643925022162	1	4.23	6	25.37	\$ 181.50
867-AGE-1	2 1/2" - 3"	0710200	643925022179	1	3.06	6	18.6	323.00
825Y-AG Plastic	3/4" - 2"	905082	643925000467	1	0.55	-	-	44.50
825Y-AG Metal	2 1/2" - 10"	905083	643925014600	1	1.55	-	-	183.00
601-AG Metal	2 1/2" - 10"	905213	643925000450	1	2.6	-	-	170.00
601-AG Plastic	1/2" - 1"	905358	643925018943	1	0.51	-	-	35.75
601-AG Plastic	1 1/4" - 2"	905359	643925018950	1	0.82	-	-	46.00
825Y-AG Metal	3/4" - 2"	905531	643925019186	1	0.92	-	-	83.50
860-AG Metal	1/2" - 1"	905532	643925019209	1	1.68	-	-	57.00
860-AG Aluminum	1 1/4" - 2"	905533	643925019216	1	2.81	-	-	77.50



601-AG

Valve Setters for Series LF870V, LF876VST, LF880V, LF886V

Mechanical Joint x Flange

LEAD FREE ¹	611-MJ x FL	3"	905199	643925015249	1	105	-	-	788.00
	611-MJ x FL	4"	905200	643925015256	1	112	-	-	991.50
	611-MJ x FL	6"	905201	643925015263	1	232	-	-	1,295.00
	611-MJ x FL	8"	905202	643925015270	1	334	-	-	1,735.00
	611-MJ x FL	10"	905203	643925015287	1	395	-	-	2,577.00

Flange x Flange

LEAD FREE ¹	611-FL x FL	2 1/2"	905204	643925015294	1	102	-	-	745.00
	611-FL x FL	3"	905205	643925015300	1	89	-	-	788.00
	611-FL x FL	4"	905206	643925015317	1	113	-	-	991.50
	611-FL x FL	6"	905207	643925015324	1	229	-	-	1,295.00
	611-FL x FL	8"	905208	643925015331	1	330	-	-	1,735.00
	611-FL x FL	10"	905209	643925015348	1	430	-	-	2,577.00

Mechanical Joint x Mechanical Joint

LEAD FREE ¹	611-MJ x MJ	3"	905329	643925015959	1	105	-	-	788.00
	611-MJ x MJ	4"	905330	643925015966	1	109	-	-	991.50
	611-MJ x MJ	6"	905331	643925015973	1	248	-	-	1,295.00
	611-MJ x MJ	8"	905332	643925015980	1	335	-	-	1,735.00
	611-MJ x MJ	10"	905333	643925015997	1	328	-	-	2,577.00



611-FL x FL



611-MJ x MJ

¹The wetted surface of this product contacted by consumable water contains less than 0.25% of lead by weight.

Supersedes all other price lists / Prices subject to change / Weights are estimated

¹Grooved ends available on all OS&Y gate valves in some models and sizes. Expect larger lead times.

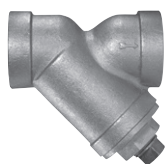
ACCESSORIES



A WATTS Brand

Model	Size	Ordering Code	UPC	Net Content	Consumer Unit Weight (lbs)	Case Qty	Case Weight (lbs)	List Price
-------	------	---------------	-----	-------------	----------------------------	----------	-------------------	------------

Copper Silicon Alloy Wye-Strainer



LF650A

LF650A	1/2"	0122975	098268650044	1	1	8	8	\$ 60.50
LF650A	3/4"	0122976	098268707380	1	1.87	12	22.4	71.50
LF650A	1"	0122977	098268650181	1	1.75	6	10.5	94.00
LF650A	1 1/4"	0122978	098268650198	1	3.72	3	11.18	147.50
LF650A	1 1/2"	0122979	098268707397	1	4.75	4	19	194.00
LF650A	2"	0122980	098268707403	1	7.1	3	21.3	296.50

Epoxy Coated Iron Wye-Strainer



758A

758A	2 1/2"	4325	098268343274	1	32.54	-	-	537.50
758A	3"	4326	098268343281	1	36	-	-	593.00
758A	4"	4327	098268343298	1	69.85	-	-	900.00
758A	6"	4328	098268343304	1	159	-	-	1,661.00
758A	8"	4329	098268343311	1	270	-	-	3,503.00
758A	10"	4330	098268343328	1	393	-	-	5,711.00

Epoxy Coated Spool for Series 850/LF850, 856, 856ST, 860/LF860

Spool	4"	905523	643925019810	1	25.33	-	-	452.00
Spool	6"	905524	643925019827	1	36.57	-	-	551.50
Spool	8"	905525	643925019834	1	51.95	-	-	684.00

Full Port Test Cock



LFFPTC-1

LFFPTC-F	1/8"	781074LL	098268504194	1	0.13	-	-	24.25
LFFPTC-F	1/4"	781075LL	098268504200	1	0.13	-	-	24.25
LFFPTC-M	1/8"x1/4"	0124835	098268845006	1	0.10	-	-	22.00
SAE TC ADAPTOR	1/4"x1/4"	781076	098268472417	1	0.21	-	-	50.50

Backflow Test Kit for all Testable Assemblies

TK1	NA	0710194	643925022117	1	7.9	-	-	5,286.00
-----	----	---------	--------------	---	-----	---	---	----------

Stand fits all valve sizes - Adjustable 10 - 38 IN

BFSTD-1		0710249	643925025118	1	20	-	20	437.00
---------	--	---------	--------------	---	----	---	----	--------

Gate Valve Mounting Kit for 2 1/2 - 10 DuraCheck and Master Series

FAK 2 1/2 MT	2 1/2"	905036	643925014402	1	4.44	-	-	169.00
FAK 3 MT	3"	905037	643925014419	1	3.88	-	-	190.00
FAK 4 MT	4"	905038	643925014426	1	7.0	-	-	351.50
FAK 10 MT	10"	905041	643925014457	1	30.06	-	-	671.00

IRRIGATION SPECIALTIES

Model	Size	Ordering Code	UPC	Net Content	Consumer Unit Weight (lbs)	Case Qty	Case Weight (lbs)	List Price
-------	------	---------------	-----	-------------	----------------------------	----------	-------------------	------------

Irrigation Specialties

Key Operated Wall Hydrant



FPHB1

FPHB1-8	3/4" x 8"	0710013	643925020304	1	7.95	-	-	\$ 878.50
FPHB1-10	3/4" x 10"	0710014	643925020311	1	7.8	-	-	909.50
FPHB1-8	1" x 8"	0710016	643925020335	1	7.7	-	-	879.50
FPHB1-10	1" x 10"	0710017	643925020342	1	8.25	-	-	915.00
FPHB1-12	1" x 12"	0710018	643925020359	1	8.68	-	-	936.50

*The wetted surface of this product contacted by consumable water contains less than 0.25% of lead by weight. Supersedes all other price lists / Prices subject to change / Weights are estimated

¹Grooved ends available on all OS&Y gate valves in some models and sizes. Expect larger lead times.

HOW TO ORDER REPAIR KITS

1. Determine FEBCO Model number and unit size, typically these are cast into the body of the unit and/or imprinted on the valve label.
2. Locate the page corresponding to the Model number and determine the parts needing replacement.
3. Obtain the part number for the repair kit containing the parts required.
4. Contact your FEBCO Distributor to order the repair kit.
5. A more detailed description of repair procedures can be found in the FEBCO Maintenance Manual. Maintenance Manuals are available from your local FEBCO Representative or can be downloaded from the FEBCO website at www.FEBCOonline.com.

QUICK REFERENCE PARTS LIST

Following is a list of the most commonly used items for the repair and service of FEBCO Backflow Preventers. A more comprehensive list follows. Visit www.FEBCOonline.com to download the FEBCO Parts Selection Guide which can help identify specific part numbers needed to repair your FEBCO unit.

FEBCO Model 765

Ordering Code	Size	Desc.	List Price
901857	1 1/2" & 2"	Bonnet Assembly Kit	\$ 189.50
901860	1 1/2" & 2"	Poppet Assembly Kit	58.50
905020	1/2" & 3/4"	Rubber Parts Kit	42.25
905021	1" & 1 1/4"	Rubber Parts Kit	46.75
905022	1 1/2" & 2"	Rubber Parts Kit	53.50
905047	1/2" & 3/4"	Bonnet Assembly Kit	46.75
905048	1" & 1 1/4"	Bonnet Assembly Kit	56.00
905049	1/2" & 3/4"	Poppet Assembly Kit	28.50
905050	1" & 1 1/4"	Poppet Assembly Kit	37.75
905051	1/2" & 3/4"	Check Assembly Kit	40.25
905052	1" & 1 1/4"	Check Assembly Kit	49.00
905070	1 1/2" & 2"	Check Assembly Kit	136.00
905211	1/2" & 3/4"	Bonnet/Poppet Kit	58.50
905212	1" & 1 1/4"	Bonnet/Poppet Kit	72.00

FEBCO Models 850/LF850, 850U/LF850U, 860/LF860 & 860U/LF860U (1/2" - 2")

Ordering Code	Size	Desc.	List Price
905342	1/2" & 3/4"	Rubber Kit for both checks	\$ 17.25
905343	1"	Rubber Kit for both checks	19.75
905344	1 1/4" - 2"	Rubber Kit for both checks	35.00
905345	1/2" - 1"	Relief Valve Rubber Kit	40.25
905346	1 1/4" - 2"	Relief Valve Rubber Kit	56.00
905347	1/2" & 3/4"	Single Check Kit (860 outlet)	46.75
905349	1"	Single Check Kit (860 outlet)	53.50
905351	1 1/4" - 2"	Single Check Kit (860 outlet)	56.00
905348	1/2" & 3/4"	860 Inlet Check Kit	49.00
905350	1"	860 Inlet Check Kit	56.00
905352	1 1/4" - 2"	860 Inlet Check Kit	56.00
905353	1/2" - 1"	Full Relief Valve Module Kit	199.00
905354	1 1/4" - 2"	Full Relief Valve Module Kit	271.00
905355	1/2" & 3/4"	Check & RV Rubber Kit	53.50
905356	1"	Check & RV Rubber Kit	56.00
905357	1 1/4" - 2"	Check & RV Rubber Kit	81.00

FEBCO DURACHECK (2 1/2" - 10") MODELS 805YD, 806YD, 825YD, 826YD

Ordering Code	Size	Desc.	List Price
905059	2 1/2"	Rubber Parts Kit	\$ 62.75
905060	3"	Rubber Parts Kit	92.75
905061	4"	Rubber Parts Kit	141.50
905062	6"	Rubber Parts Kit	200.50
905063	8"	Rubber Parts Kit	274.00
905064	10"	Rubber Parts Kit	321.00
905102	All	Relief Valve Rubber Kit	274.00

FEBCO Models 825Y/LF825Y, 825YA/LF825YA (1/2" - 2")

Ordering Code	Size	Desc.	List Price
905042	3/4" - 1 1/4"	Rubber Kit for both checks	\$ 30.75
905053	1 1/2" & 2"	Rubber Kit for both checks	49.00
905043	3/4" - 1 1/4"	Relief Valve Rubber Kit	53.50
905054	1 1/2" & 2"	Relief Valve Rubber Kit	92.75
905111	3/4" - 1 1/4"	Complete Rubber Kit	67.50
905112	1 1/2" & 2"	Complete Rubber Kit	136.00
905044	3/4" - 1 1/4"	Single Check Kit	83.75
905055	1 1/2" & 2"	Single Check Kit	125.00
905045	3/4" - 1 1/4"	Relief Valve Kit	260.00
905056	1 1/2" & 2"	Relief Valve Kit	395.00
905113	3/4" & 1"	Relief Valve Seat Ring Kit	53.50
905114	1 1/2" & 2"	Relief Valve Seat Ring Kit	74.25
905417	3/4" & 1"	Relief Valve Seat Kit	78.25
905418	1 1/2" & 2"	Relief Valve Seat Kit	108.50

FEBCO MasterSeries (2 1/2" - 10") Models 850, 856, 870V, 876V, 860, 880V

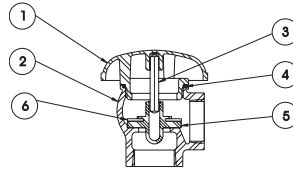
Ordering Code	Size	Desc.	List Price
905153	4"	DC/DCDA Disc Assembly	\$ 187.00
905154	6"	DC/DCDA Disc Assembly	233.00
905155	8"	DC/DCDA Disc Assembly	434.00
905162	2 1/2" - 3"	DC/DCDA Rubber Parts Kit	361.00
905163	4"	DC/DCDA Rubber Parts Kit	361.00
905164	6"	DC/DCDA Rubber Parts Kit	497.50
905165	8" (&10" 850/856)	DC/DCDA Rubber Parts Kit	1,081.00
905187	2 1/2" & 3"	860 Check & RV Rubber Kit	557.00
905188	4"	860 Check & RV Rubber Kit	557.00
905189	6"	860 Check & RV Rubber Kit	637.00
905190	8" &10"	860 Check & RV Rubber Kit	1,098.00
905224	2 1/2" & 3"	880 Disc Assembly	187.00
905225	4"	880 Disc Assembly	187.00
905226	6"	880 Disc Assembly	233.00
905227	2 1/2" & 3"	880 Check & RV Rubber Kit	557.00
905228	4"	880 Check & RV Rubber Kit	557.00
905229	6"	880 Check & RV Rubber Kit	637.00
905316	All	RP Relief Valve Rubber Kit	157.50

FEBCO MODELS 710, 715

Ordering Code	Size	Desc.	List Price
901217	1"	710 Bonnet/Stem Kit	\$ 35.00
901549	1"	710 Poppet Kit	21.25
901550	1 1/4"	710 Poppet Kit	40.25
901551	1 1/2"	710 Poppet Kit	72.00
901552	2"	710 Poppet Kit	74.25
905046	All	715 Poppet Kit	21.25

710/715

1/2" - 2" Atmospheric Vacuum Breaker



Ordering Code	Size	List Price
Model 715 Bonnet/Stem Kit		
901217	1/2"-3/4"	\$ 35.00
901250	1"	51.25

Kit Includes: Items 1 & 3

Model 715 Poppet Kit

Ordering Code	Size	List Price
905046	1/2"-3/4"	21.25
901549	1"	21.25

Kit Includes: Items 4, 5 & 6

Ordering Code	Size	List Price
Model 710 Bonnet/Stem Kit		
901251	1 1/4"	\$ 101.50
901252	1 1/2"	101.50
901253	2"	120.00

Kit Includes: Items 1 & 3

Model 710 Poppet Kit

Ordering Code	Size	List Price
901550	1 1/4"	40.25
901551	1 1/2"	72.00
901552	2"	74.25

Kit Includes: Items 4, 5 & 6

765

1/2" - 2" Pressure Vacuum Breaker

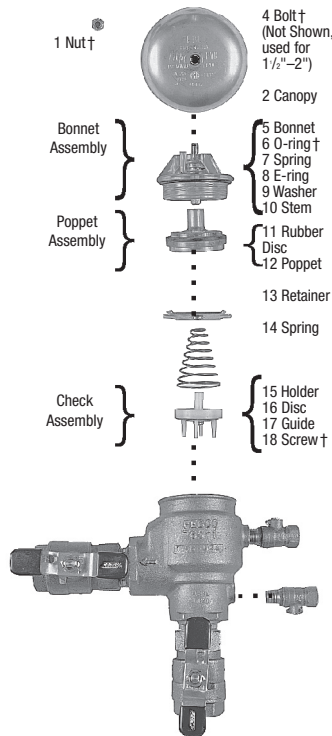


Illustration shown is for sizes 3/4" through 1 1/4" only.

Bonnet and bolt for 1/2" and 2" not shown.

† Commercial Parts

‡The FEBCO Model 765 design differs slightly from the illustration for sizes 1 1/2" and 2". Kits may include additional parts not listed on diagram.

*The wetted surface of this product contacted by consumable water contains 0.25% of lead by weight.

Supersedes all other price lists / Prices subject to change / Weights are estimated

†Grooved ends available on all OS&Y gate valves in some models and sizes. Expect larger lead times.

Ordering Code	Size	List Price
Bonnet/Poppet Kit		
905211	1/2"-3/4"	\$ 58.50
905212	1"-1 1/4"	72.00

Kit Includes: Items 5-12

Poppet Assembly Kit

Ordering Code	Size	List Price
905049	1/2"-3/4"	28.50
905050	1"-1 1/4"	37.75
901860	1 1/2"-2"	58.50

Kit Includes: Items 11, 12

Bonnet Assembly Kit

Ordering Code	Size	List Price
905047	1/2"-3/4"	46.75
905048	1"-1 1/4"	56.00
901857	1 1/2"-2"	189.50

Kit Includes: Items 5-10

Check Assembly Kit

Ordering Code	Size	List Price
905051	1/2"-3/4"	40.25
905052	1"-1 1/4"	49.00
905070	1 1/2"-2"	136.00

Kit Includes: Items 15-18

Rubber Parts Kit

Ordering Code	Size	List Price
905020	1/2"-3/4"	42.25
905021	1"-1 1/4"	46.75
905022	1 1/2"-2"	53.50

Kit Includes: Items 6, 11, 16

Canopy

Ordering Code	Size	List Price
300092	1/2"	35.00
300093	3/4"	35.00
300089	1"-1 1/4"	44.50
300083	1 1/2"-2"	62.75

Kit Includes: Item 2

Retainer

Ordering Code	Size	List Price
300096	1/2"-3/4"	19.75
300088	1"-1 1/4"	21.25

Included in Check Kit‡

Kit Includes: Item 13

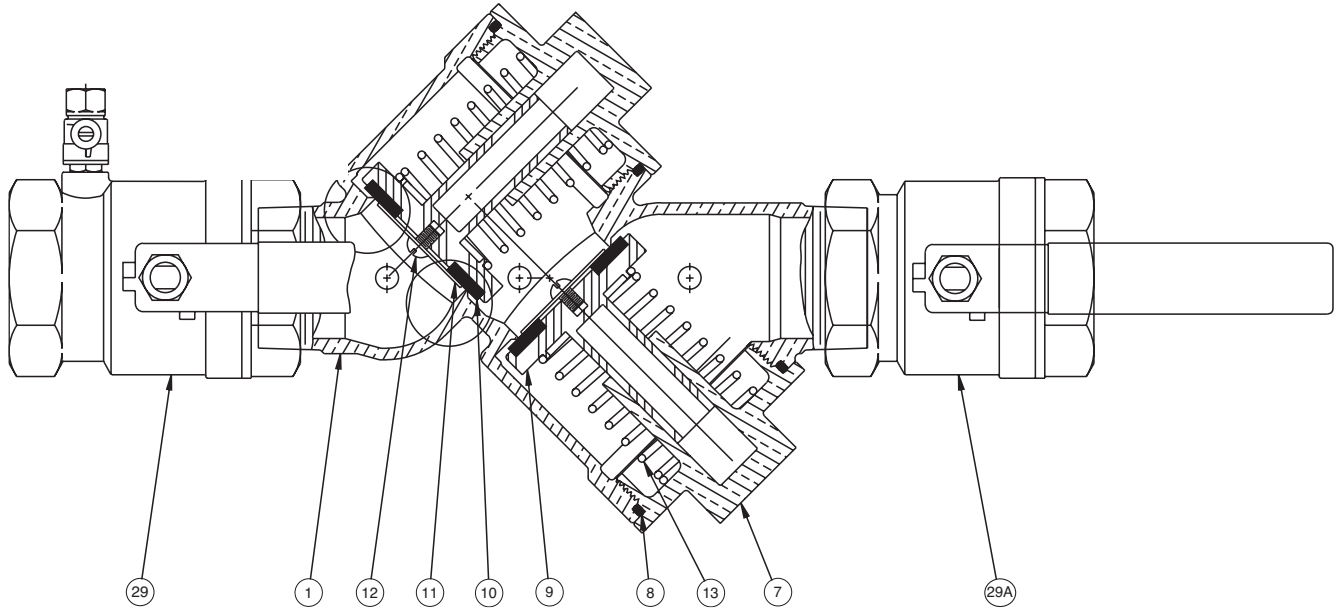
Check Spring

Ordering Code	Size	List Price
630108	1/2"-3/4"	19.75
630106	1"-1 1/4"	21.25
630063	1 1/2"-2"	32.25

Kit Includes: Item 14

805Y, 805YB, 805YS

3/4" - 2" Double Check Valve Assembly



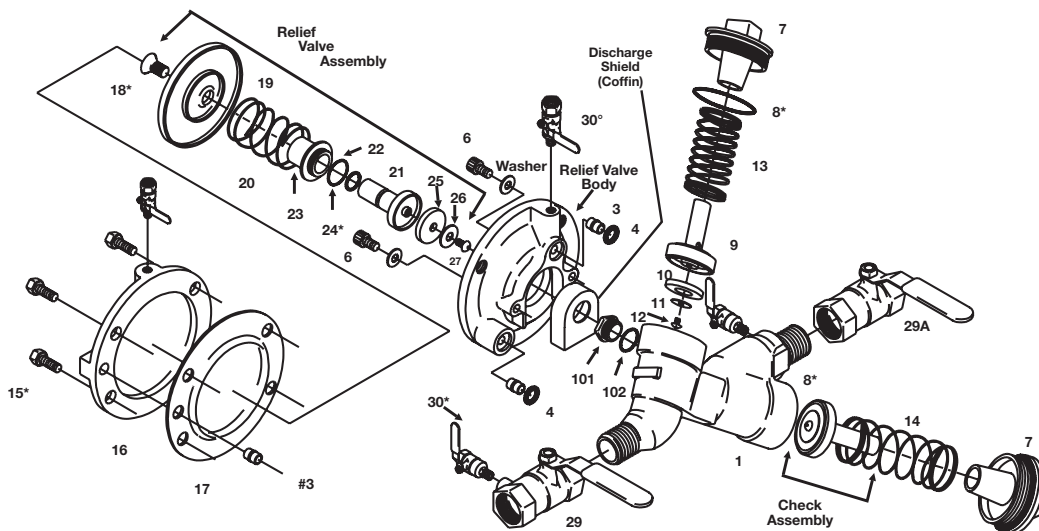
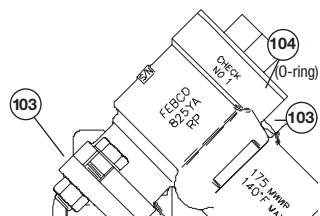
	Ordering Code	Style	Size	List Price
	Rubber Kit for Both Checks			
LEAD FREE*	905042	Y, YB	3/4"-1 1/4"	\$ 30.75
	905053	Y, YB	1 1/2" & 2"	49.00
	905042S	YS	3/4"-1 1/4"	30.75
	905053S	YS	1 1/2" & 2"	49.00
	Kit Includes: Items 8, 10, 2 ea.			
	Single Check Repair Kit			
LEAD FREE*	905044	Y, YB	3/4"-1 1/4"	83.75
	905055	Y, YB	1 1/2" & 2"	125.00
	905044S	YS	3/4"-1 1/4"	88.00
	905055S	YS	1 1/2" & 2"	129.00
	Kit Includes: Valve has two checks. Items 8-12, 1 ea.			
	Double Check Kit w/Springs			
LEAD FREE*	905242	Y, YB	3/4"-1 1/4"	191.00
	905243	Y, YB	1 1/2" & 2"	250.00
	630115	Y, YS	3/4"-1 1/4"	19.75
	630118	Y, YS	1 1/2" & 2"	46.75
	630167	YB	3/4"-1 1/4"	19.75
			1 1/2" & 2"	N/A
	Kit Includes: Items 8-13, 2 ea.			

805, 835B Double Check Assembly

Contact FEBCO Representative for information on components for these older designs. To replace the entire assembly (recommended), use FEBCO Model 850/LF850 Double Check.

*The wetted surface of this product contacted by consumable water contains less than 0.25% of lead by weight.
Supersedes all other price lists / Prices subject to change / Weights are estimated
†Grooved ends available on all OS&Y gate valves in some models and sizes. Expect larger lead times.

825-Y, -YS, -YA, -YR, -YAR & YAS LF825Y and LF825YA 3/4" - 2" Reduced Pressure Zone Assembly



Ordering Code	Style	Size	List Price
---------------	-------	------	------------

Check Rubber Kit

LEAD FREE 905042	Y, YA, YAR	3/4"-1 1/4"	\$ 30.75
905053	Y, YA, YAR	1 1/2" & 2"	49.00
905042S	YS, YAS	3/4"-1 1/4"	30.75
905053S	YS, YAS	1 1/2" & 2"	49.00

Kit Includes: Items 8, 10, 2 ea.

Relief Valve Rubber Kit

LEAD FREE 905043	Y, YA, YAR	3/4"-1 1/4"	53.50
905054	Y, YA, YAR	1 1/2" & 2"	92.75
905043S	YS, YAS	3/4"-1 1/4"	53.50
905054S	YS, YAS	1 1/2" & 2"	92.75

Complete Rubber Kit

LEAD FREE 905111	Y, YA, YAR	3/4"-1 1/4"	67.50
905112	Y, YA, YAR	1 1/2" & 2"	136.00

Kit Includes: Both checks & relief valve. Items 3, 4, 5, 8, 10, 17, 22, 24, 25, 102, 104

Single Check Kit

LEAD FREE 905044	Y, YA, YAR	3/4"-1 1/4"	83.75
905055	Y, YA, YAR	1 1/2" & 2"	125.00
905044S	YS, YAS	3/4"-1 1/4"	88.00
905055S	YS, YAS	1 1/2" & 2"	129.00

Each valve has two checks. (Items 8-12, 1 ea.)

Relief Valve Kit

LEAD FREE 905045	ALL	3/4"-1 1/4"	260.00
905056	ALL	1 1/2" & 2"	395.00

Kit Includes: Items 17-27

Check Valve Cover Kit

LEAD FREE 905616	ALL	3/4"-1"	61.50
905617	ALL	1 1/2" & 2"	136.50

Relief Valve Cover Kit

LEAD FREE 905621	ALL	3/4"-1"	176.00
905622	ALL	1 1/2" & 2"	199.00

Ordering Code	Style	Size	List Price
---------------	-------	------	------------

Relief Valve Seat Ring Kit

905113	Y, YA	3/4"-1 1/4"	\$ 53.50
905114	YS, YA	1 1/2" & 2"	74.25

Kit Includes: Items 101, 102. (N/A for 1 1/2" size)

Relief Valve Seat Ring Kit

LEAD FREE 905417	Y, YA	3/4"-1"	78.25
905418	YS, YA	1 1/2" & 2"	108.50

Kit Includes: Items 101, 102. (N/A for 1 1/4" size)

Check Valve Seat Ring

905280	YR, YAR	3/4"-1 1/4"	42.25
905281	Y, YA†	1 1/2" & 2"	49.00

Kit Includes: Items Seat Ring & O-ring

Check Valve Seat Ring

LEAD FREE 905419	YR, YAR	3/4"-1 1/4"	75.75
905420	Y, YA†	1 1/2" & 2"	104.50

Kit Includes: Items Seat Ring & O-ring

#1 Check Springs (inlet)

LEAD FREE 630125	ALL	3/4"-1 1/4"	37.75
630137	ALL	1 1/2" & 2"	67.50

#2 Check Springs (outlet)

LEAD FREE 630115	ALL	3/4"-1 1/4"	19.75
630118	ALL	1 1/2" & 2"	46.75

†825Y & YA with "J" prefix serial numbers only (not available for 1 1/4" size)

825YA, YAR, YAS Elbow Parts

Ordering Code	Part	Size	List Price
---------------	------	------	------------

YA Elbow Parts

101194	103 Elbow	3/4"	\$ 64.75
101195	103 Elbow	1"	74.25
101189	103 Elbow	1 1/2"	92.75
101190	103 Elbow	2"	106.50

YA Elbow Parts

LEAD FREE 39822372	104 O-ring	3/4"-1"	12.50
39823072	104 O-ring	1 1/2"-2"	17.25

Kit Includes: Items 103, 104

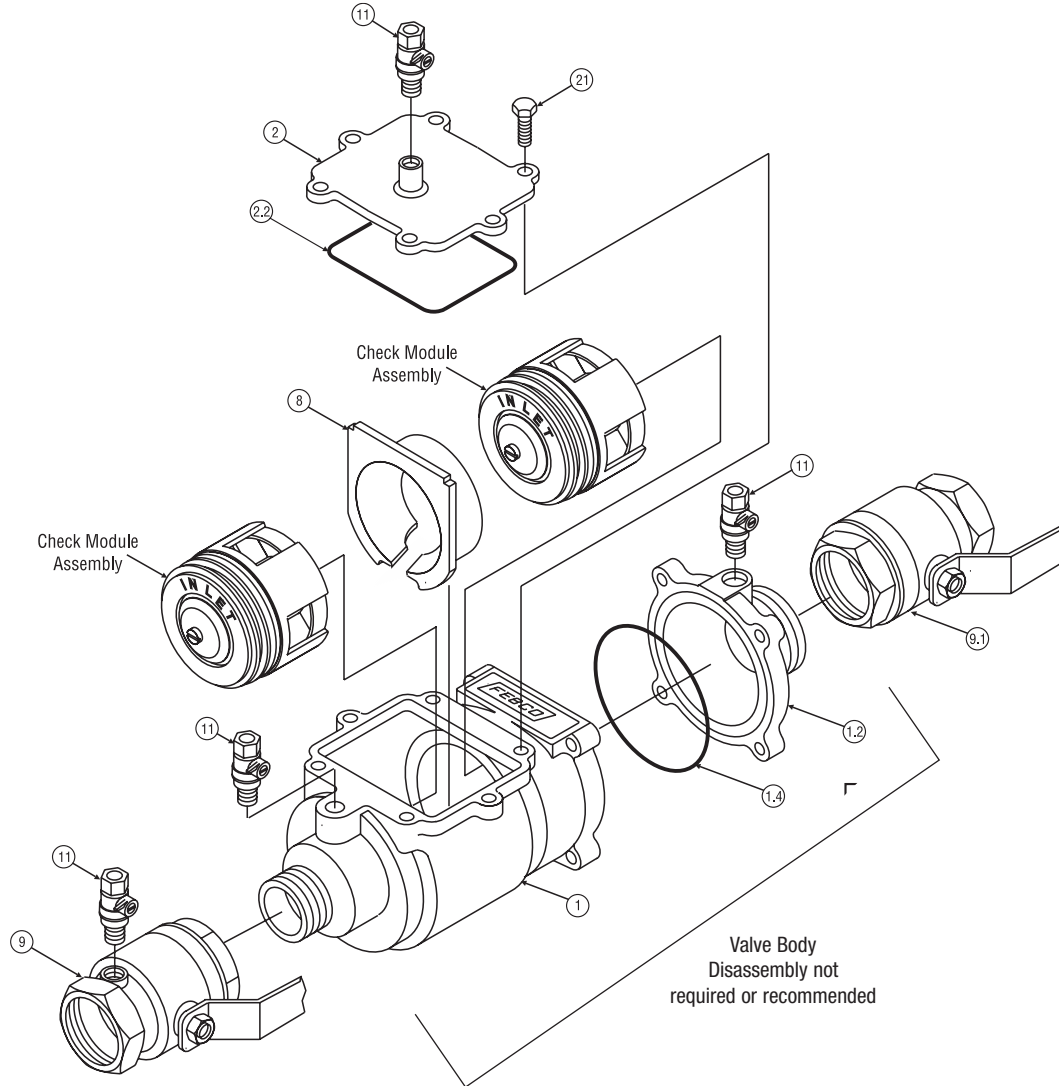
*The wetted surface of this product contacted by consumable water contains less than 0.25% of lead by weight.

Supersedes all other price lists / Prices subject to change / Weights are estimated

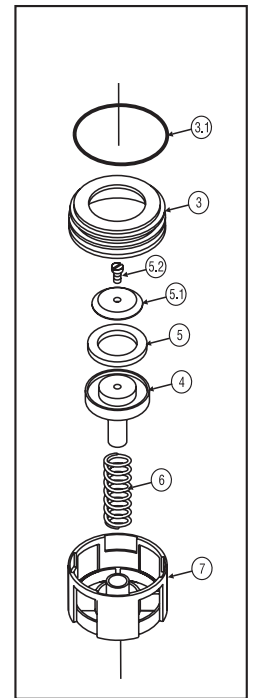
†Grooved ends available on all OS&Y gate valves in some models and sizes. Expect larger lead times.

850, LF850, 850U, LF850U, 850B

1/2" - 2" Double Check Valve Assembly



Models 850/LF850 & 860/LF860 Check Module Assembly:



Ordering Code	Style	Size	List Price
---------------	-------	------	------------

Check Rubber Kit

LEAD FREE 905342	ALL	1/2" & 3/4"	\$ 17.25
905343	ALL	1"	19.75
905344	ALL	1 1/4"-2"	35.00

For both checks. Kit Includes: Items 1.4, 2.2 & 2 ea. of Items 3.1 & 5

Single Check Kit†

LEAD FREE 905347	850	1/2" & 3/4"	46.75
905349	850	1"	53.50
905351	850	1 1/4"-2"	56.00

Valve has two checks. Kit Includes: Items 3 - 7

Single Poppet Kit

LEAD FREE 905339	ALL	1/2" & 3/4"	19.75
905340	ALL	1"	21.25
905341	ALL	1 1/4"-2"	28.50

Valve has two poppets. Kit Includes: Items 4 - 5.2

Ordering Code	Style	Size	List Price
---------------	-------	------	------------

COVER Kit

LEAD FREE 905618	ALL	1/2" & 3/4"	\$ 42.50
905619	ALL	1"	51.50
905620	ALL	1 1/4"-2"	97.75

Kit Includes: Items 2 and 2.2

†May use this kit for 850B with exception of spring (item #6). Contact factory service center for price and availability on 850B spring.

*The wetted surface of this product contacted by consumable water contains less than 0.25% of lead by weight.

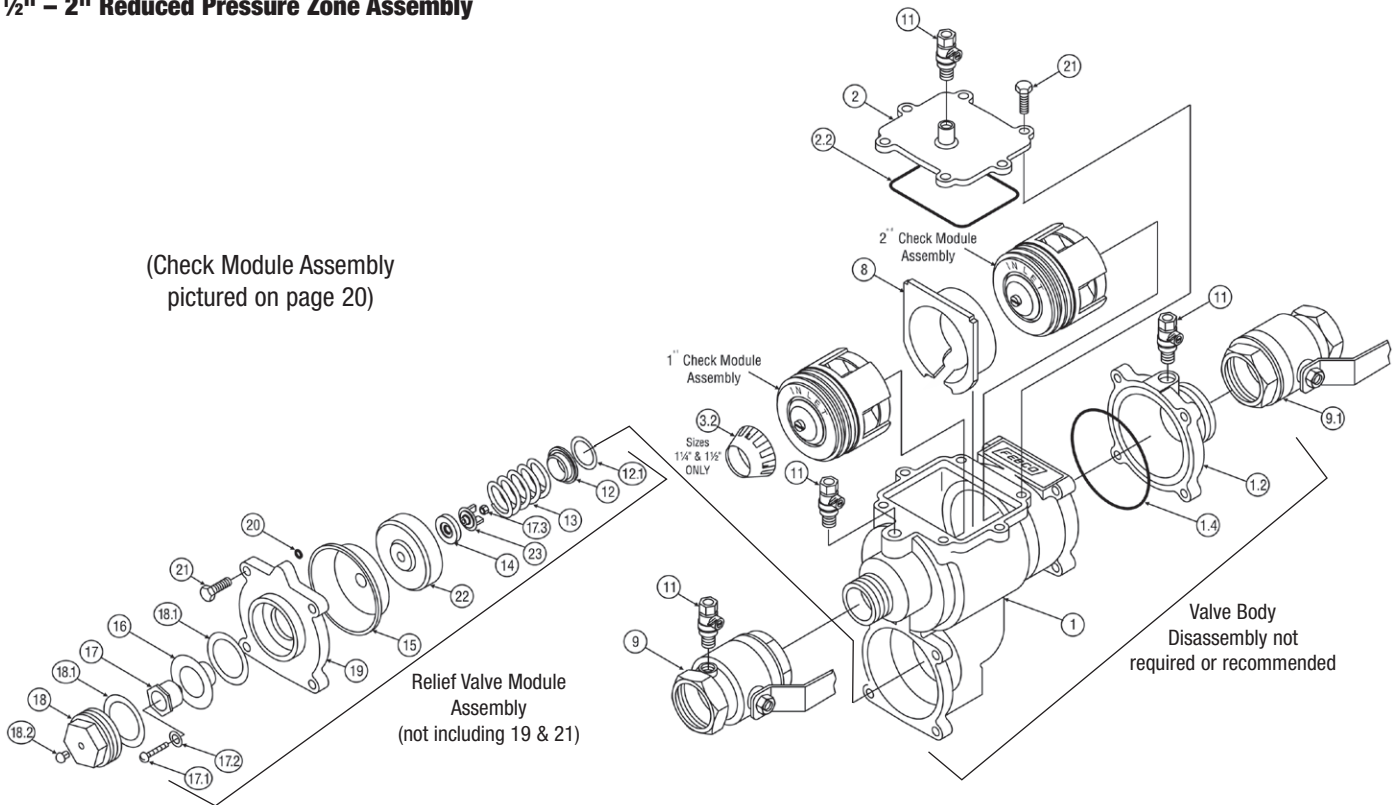
Supersedes all other price lists / Prices subject to change / Weights are estimated

†Grooved ends available on all OS&Y gate valves in some models and sizes. Expect larger lead times.

Detailed maintenance manuals can be downloaded at www.FEBCOonline.com.

860, LF860, 860U, LF860U, 880, 880U 1/2" - 2" Reduced Pressure Zone Assembly

(Check Module Assembly
pictured on page 20)



Ordering Code	Style	Size	List Price
Complete Rubber Kit			
LEAD FREE 905355	ALL	1/2" & 3/4"	\$ 53.50
905356	ALL	1"	56.00
905357	ALL	1 1/4"-2"	81.00
Kit Includes: All rubber parts			
Check Module Rubber Kit			
LEAD FREE 905342	ALL	1/2" & 3/4"	17.25
905343	ALL	1"	19.75
905344	ALL	1 1/4"-2"	35.00
Both checks. Kit Includes: Item 2.2 & 2 ea. of items 3.1 & 5			
Relief Valve Rubber Kit			
LEAD FREE 905345	ALL	1/2" & 3/4"	40.25
905345	ALL	1"	40.25
905346	ALL	1 1/4"-2"	56.00
Kit Includes: Items 12, 12.1, 14 - 16, 18.1 (2 ea) & 20			
Single Poppet Kit			
LEAD FREE 905339	ALL	1/2" & 3/4"	19.75
905340	ALL	1"	21.25
905341	ALL	1 1/4"-2"	28.50
Valve has two poppets. Kit Includes: Items 4 thru 5.2			

Ordering Code	Style	Size	List Price
#1 Check Module Kit (inlet)			
LEAD FREE 905348	ALL	1/2" & 3/4"	\$ 49.00
905350	ALL	1"	56.00
905352	ALL	1 1/4"-2"	56.00
Kit Includes: Items 3 - 7 for inlet check			
#2 Check Module Kit (outlet)			
LEAD FREE 905347	ALL	1/2" & 3/4"	46.75
905349	ALL	1"	53.50
905351	ALL	1 1/4"-2"	56.00
Kit Includes: Items 3 - 7 for outlet check			
Full Relief Valve Module Kit			
LEAD FREE 905421	ALL	1/2" & 3/4"	609.00
905421	ALL	1"	609.00
905422	ALL	1 1/4"-2"	771.00
Kit Includes: 1 ea of Items 12 - 17.3, 20, 22 & 23 & 2 ea. of 18.1			
Cover Kit			
LEAD FREE 905618	ALL	1/2" & 3/4"	42.50
905619	ALL	1"	51.50
905620	ALL	1 1/4"-2"	97.75
Kit Includes: Items 2 and 2.2			

*The wetted surface of this product contacted by consumable water contains less than 0.25% of lead by weight.

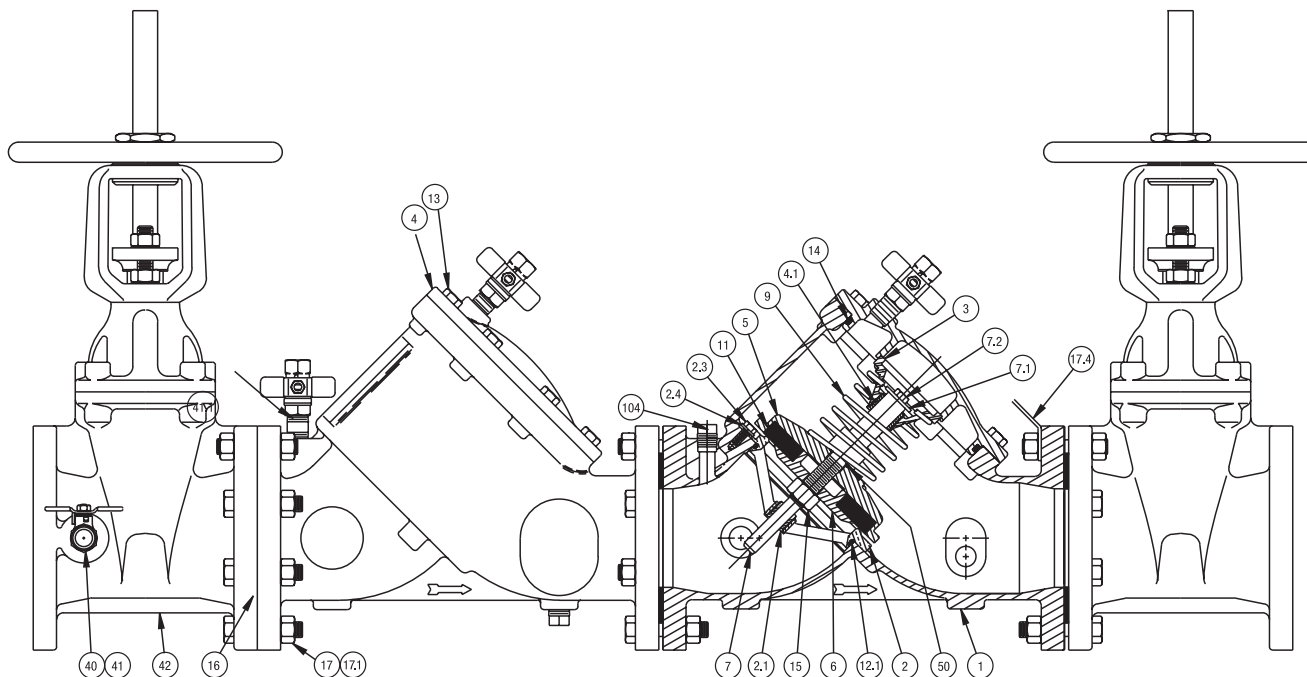
Supersedes all other price lists / Prices subject to change / Weights are estimated

¹Grooved ends available on all OS&Y gate valves in some models and sizes. Expect larger lead times.

Detailed maintenance manuals can be downloaded at www.FEBCOonline.com.

805, 805D, 805YD, 806YD

2 1/2" – 10" Double Check / Double Check Detector Assemblies



Ordering Code	Style	Size	List Price
---------------	-------	------	------------

Rubber Parts

905059	805, 805D, 805YD, 806YD	2 1/2"	\$ 62.75
905060	805, 805D, 805YD, 806YD	3"	92.75
905061	805, 805D, 805YD, 806YD	4"	141.50
905062	805, 805D, 805YD, 806YD	6"	200.50
905063	805, 805D, 805YD, 806YD	8"	274.00
905064	805, 805D, 805YD, 806YD	10"	321.00

Kit Includes: Items 11, 14, 50

Single Check Assembly

905086	805YD	2 1/2"	909.50
905088	805YD	3"	965.50
902467	805YD	4"	1,295.00
902469	805YD	6"	2,072.00
902471	805YD	8"	3,515.00
902473	805YD	10"	5,731.00
—	806YD	2 1/2"	N/A
902514	806YD	4"	1,417.00
902515	806YD	6"	2,257.00
902516	806YD	8"	3,831.00
902517	806YD	10"	6,303.00

Kit Includes: Items 3, 4.1, 5, 6, 7, 7.1, 7.2, 9, 11, 15, 50

Ordering Code	Style	Size	List Price
---------------	-------	------	------------

Seat Kit

902386YD	805YD, 806YD	2 1/2"	\$ 443.00
902385YD	805YD, 806YD	3"	493.00
902384YD	805YD, 806YD	4"	729.00
902383YD	805YD, 806YD	6"	976.00
902382YD	805YD, 806YD	8"	1,566.00
902381YD	805YD, 806YD	10"	1,949.00

Kit Includes: Items 2, 2.1 & 12.1

Gate Mounting Kit

905036	805, 805D, 805YD, 806Y	2 1/2"	169.00
905037	805, 805D, 805YD, 806Y	3"	190.00
905038	805, 805D, 805YD, 806Y	4"	351.50
905041	805, 805D, 805YD, 806Y	10"	671.00

Kit Includes: Both ends. Items 16, 17, 17.1

Cover Assembly

902497	805YD, 806YD	2 1/2"	486.50
902498	805YD, 806YD	3"	538.50
902499	805YD, 806YD	4"	635.00
902500	805YD, 806YD	6"	818.00
902501	805YD, 806YD	8"	1,927.00
902502	805YD, 806YD	10"	1,927.00

Kit Includes: Items 4, 4.1, 14 & Aircock (not shown)

805, 805D

Double Check Valve Assemblies

Contact FEBCO Representative for information on unlisted components for these older designs.

To replace the entire assembly (recommended) use FEBCO Model LF850 Double Check Assembly with Spool Adapter.

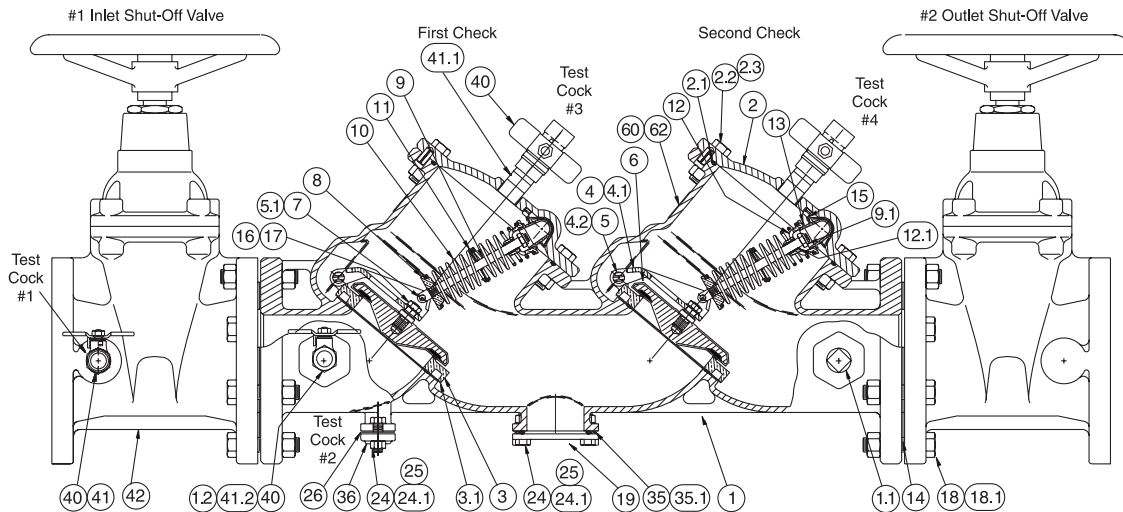
Supersedes all other price lists / Prices subject to change / Weights are estimated

*Grooved ends available on all OS&Y gate valves in some models and sizes. Expect larger lead times.

Detailed maintenance manuals can be downloaded at www.FEBCOonline.com.

850, 856

2 1/2" - 10" Double Check / Double Check Detector Assemblies



Ordering Code	Style	Size	List Price
Disc Assembly			
905182	ALL	2 1/2" & 3"	\$ 187.00
905153	ALL	4"	187.00
905154	ALL	6"	233.00
905155	ALL	8" & 10"	434.00

Kit Includes: Items 6, 16, 17

Ordering Code	Style	Size	List Price
Spring Module			
905142	850	2 1/2" & 3"	183.00
905143	850	4"	200.50
905144	850	6"	241.50
905145	850	8" & 10"	274.00
905147	856	2 1/2" & 3"	187.00
905148	856	4"	208.00
905149	856	6"	256.00
905150	856	8" & 10"	282.00

Kit Includes: Items 5.1, 7, 8, 9, 9.1, 10, 11, 12, 12.1

Ordering Code	Style	Size	List Price
Check Replacement Kit			
905527	850	2 1/2" & 3"	856.50
905534	850	4"	965.50
905537	850	6"	1,263.00
905539	850	8" & 10"	1,613.00
905529	856	2 1/2" & 3"	860.50
905536	856	4"	973.50
905538	856	6"	1,281.00
905541	856	8" & 10"	1,748.00

Kit Includes: Items 2.1, and 3 - 17

Ordering Code	Style	Size	List Price
Seat Ring / Arm Assembly			
905157	ALL	2 1/2" & 3"	304.00
905158	ALL	4"	317.50
905159	ALL	6"	457.50
905160	ALL	8" & 10"	500.50

Kit Includes: Items 3, 3.1, 3.2, 3.4, 4, 4.1, 4.2, 5

Ordering Code	Style	Size	List Price
Rubber Parts Kit			
905249	ALL	2 1/2" & 3"	\$ 361.00
905163	ALL	4"	361.00
905164	ALL	6"	497.50
905165	ALL	8" & 10"	1,081.00

Kit Includes: Items 2.1, 3.1, 6, 15, 26, 35, 35.1, 45, 45.1

Ordering Code	Style	Size	List Price
Cover Assembly			
905167	With Bulkhead Fitting	2 1/2" & 3"	304.00
905168	With Bulkhead Fitting	4"	345.00
905169	With Bulkhead Fitting	6"	399.00
905170	With Bulkhead Fitting	8" & 10"	457.50
905376	Tapped	2 1/2" & 3"	304.00
905377	Tapped	4"	345.00
905378	Tapped	6"	399.00

Kit Includes: Items 2, 2.1, 15

Ordering Code	Style	Size	List Price
Bulkhead Fitting for Cover†			
905275	850	2 1/2", 3", 4"	40.25
905277	850	6", 8" & 10"	53.50
905277	856	2 1/2"-10"	53.50

Kit Includes: Items 43.1, 45.1, 46.1, 47.1

Ordering Code	Style	Size	List Price
Bulkhead Fitting for Body†			
905276	850	2 1/2", 3", 4"	49.00
905277	850	6", 8" & 10"	53.50
905277	856	2 1/2"-10"	53.50

Kit Includes: Items 43, 45, 46, 47

†Bulkhead fittings are not furnished on late models. Very early productions of Model 856 may require a different bulkhead fitting. Consult your FEBCO representative for assistance.

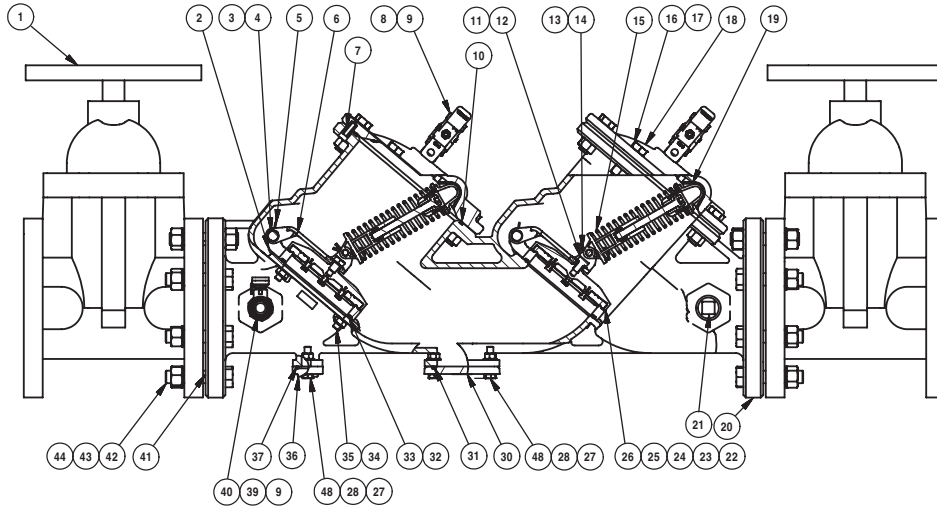
Supersedes all other price lists / Prices subject to change / Weights are estimated

†Grooved ends available on all OS&Y gate valves in some models and sizes. Expect larger lead times.

Detailed maintenance manuals can be downloaded at www.FEBCOonline.com.

LF850, 856ST, LF856

2 1/2" - 10" Double Check / Double Check Detector Assemblies



Ordering Code	Style	Size	List Price
---------------	-------	------	------------

Disc Assembly

905466	ALL	2 1/2" & 3"	\$ 217.00
905467	ALL	4"	227.50
905468	ALL	6"	299.00
905469	ALL	8" & 10"	555.00

Kit Includes: Items 11, 12, 22, 23, 24, 25, 26

Total Rubber Kit

905490	ALL	2 1/2" & 3"	124.00
905491	ALL	4"	135.00
905492	ALL	6"	155.50
905493	ALL	8" & 10"	258.00

Kit Includes: Items 10, 25, 31, 32, 33, 37

Spring Module

905470	LF850 (1st & 2nd) 856ST, LF856 (1st)	2 1/2" & 3"	93.25
905471	LF850 (1st & 2nd) 856ST, LF856 (1st)	4"	120.00
905472	LF850 (1st & 2nd) 856ST, LF856 (1st)	6"	195.00
905473	LF850 (1st & 2nd) 856ST, LF856 (1st)	8" & 10"***	217.00
905474	856ST (2nd)	2 1/2" & 3"	136.50
905475	856ST (2nd)	4"	157.00
905476	856ST (2nd)	6"	235.00
905477	856ST (2nd)	8" & 10"***	229.00
905608	LF856 (2nd)	2 1/2" & 3"	133.00
905609	LF856 (2nd)	4"	153.50
905610	LF856 (2nd)	6"	230.00
905611	LF856 (2nd)	8" & 10"***	224.00

Kit Includes: Items 15

Seat Ring / Arm Assembly

905486	ALL	2 1/2" & 3"	390.50
905487	ALL	4"	405.50
905488	ALL	6"	578.50
905489	ALL	8" & 10"***	575.50

Kit Includes: Items 2, 3, 4, 5, 6, 32, 33, 34, 35

Ordering Code	Style	Size	List Price
---------------	-------	------	------------

Check Replacement Kit

905478	LF850 (1st & 2nd) 856ST, LF856 (1st)	2 1/2" & 3"	\$ 780.50
905479	LF850 (1st & 2nd) 856ST, LF856 (1st)	4"	982.50
905480	LF850 (1st & 2nd) 856ST, LF856 (1st)	6"	1,430.00
905481	LF850 (1st & 2nd) 856ST, LF856 (1st)	8" & 10"	2,087.00
905482	856ST (2nd)	2 1/2" & 3"	854.50
905483	856ST (2nd)	4"	1,032.00
905484	856ST (2nd)	6"	1,499.00
905485	856ST (2nd)	8" & 10"	2,243.00
905612	LF856 (2nd)	2 1/2" & 3"	832.50
905613	LF856 (2nd)	4"	1,006.00
905614	LF856 (2nd)	6"	1,461.00
905615	LF856 (2nd)	8" & 10"	2,188.00

Kit Includes: Items 2, 3, 4, 5, 6, 10, 11, 12, 15, 22, 23, 24, 25, 26, 32, 33, 34, 35

Cover Assembly

905376	ALL	2 1/2" & 3"	304.00
905377	ALL	4"	345.00
905378	ALL	6"	399.00

Kit Includes: Items 7, 10, 18, 19

**10" uses 8" internals

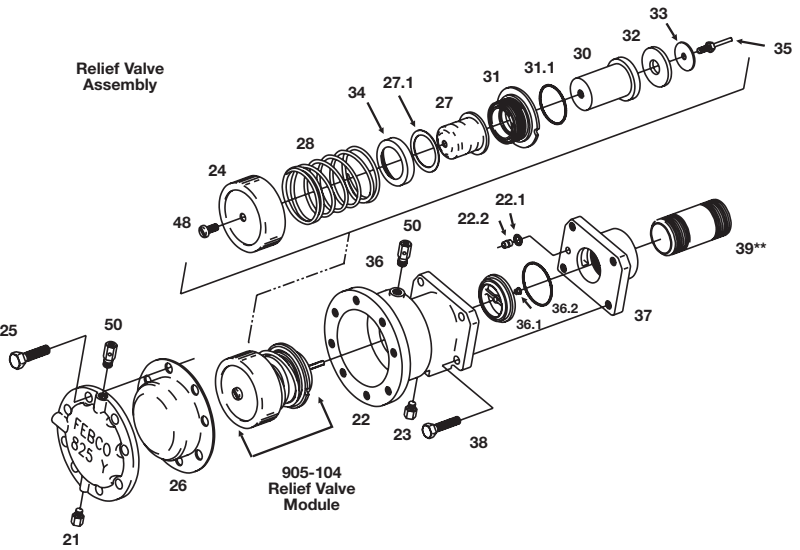
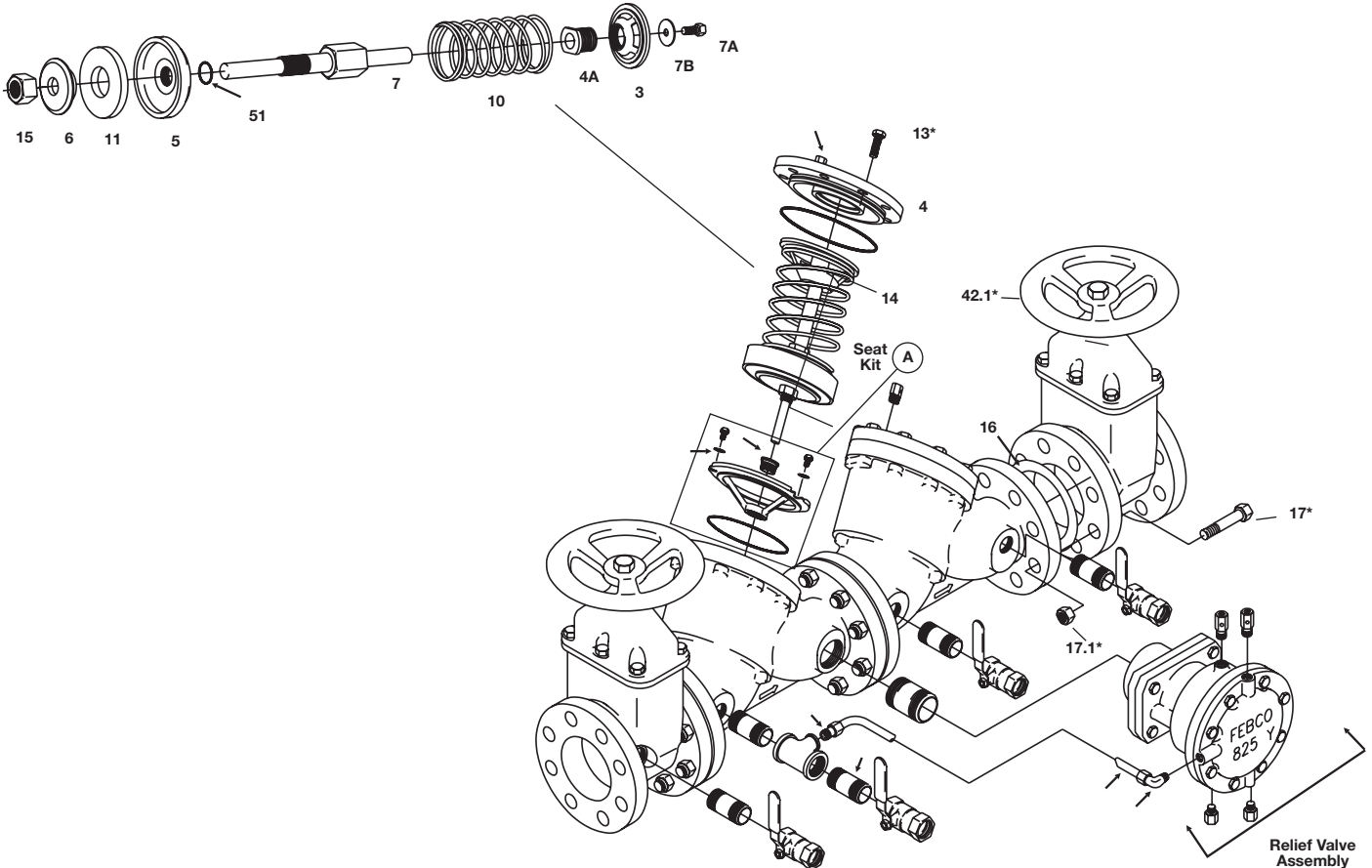
*The wetted surface of this product contacted by consumable water contains less than 0.25% of lead by weight.

Supersedes all other price lists / Prices subject to change / Weights are estimated

¹Grooved ends available on all OS&Y gate valves in some models and sizes. Expect larger lead times.

Detailed maintenance manuals can be downloaded at www.FEBCOonline.com.

825, 825D, 825YD, 826YD
2½" - 10" Reduced Pressure / Reduced Pressure Detector Assemblies



825, 825D, 825YD, 826YD

2½" - 10" Reduced Pressure / Reduced Pressure Detector Assemblies

Ordering Code	Style	Size	List Price
Check Rubber Parts			
905059	ALL	2 1/2"	\$ 62.75
905060	ALL	3"	92.75
905061	ALL	4"	141.50
905062	ALL	6"	200.50
905063	ALL	8"	274.00
905064	ALL	10"	321.00

Kit Includes: Items 11, 14, 51

Check #1 (inlet) Check Assembly			
905085	825YD	2 1/2"	989.50
905087	825YD	3"	1,111.00
902466	825YD	4"	1,547.00
902468	825YD	6"	2,768.00
902470	825YD	8"	3,469.00
902472	825YD	10"	6,941.00
—	826YD	2 1/2"	N/A
—	826YD	3"	N/A
902623	826YD	4"	1,669.00
902624	826YD	6"	3,057.00
902625	826YD	8"	3,866.00
902626	826YD	10"	7,405.00

Kit Includes: Items 3,4A,5,6,7,7A,7B,10,11,15,51

Check #2 (outlet) Check Assembly			
905086	825YD	2 1/2"	909.50
905088	825YD	3"	965.50
902467	825YD	4"	1,295.00
902469	825YD	6"	2,072.00
902471	825YD	8"	3,515.00
902473	825YD	10"	5,731.00
—	826YD	2 1/2"	N/A
—	826YD	3"	N/A
902514	826YD	4"	1,417.00
902515	826YD	6"	2,257.00
902516	826YD	8"	3,831.00
902517	826YD	10"	6,303.00

Kit Includes: Items 3,4A,5,6,7,7A,7B,10,11,15,51

Seat Kit			
902386YD	825YD, 826YD	2 1/2"	443.00
902385YD	825YD, 826YD	3"	493.00
902384YD	825YD, 826YD	4"	729.00
902383YD	825YD, 826YD	6"	976.00
902382YD	825YD, 826YD	8"	1,566.00
902381YD	825YD, 826YD	10"	1,949.00

Kit Includes: Items A

Ordering Code	Style	Size	List Price
Gate Mounting Kit (both ends)			
905036	ALL	2 1/2"	\$ 169.00
905037	ALL	3"	190.00
905038	ALL	4"	351.50
905041	ALL	10"	671.00

Kit Includes: Items 16, 17, 17.1

Relief Valve Conversion Kit			
905100	825	3"	2,417.00
905101	825	4", 6"	2,486.00
905522	825	8", 10"	2,669.00
905100	825D	2 1/2"-4"	2,417.00
905101	825D	6"	2,486.00
905522	825D	8", 10"	2,669.00

Kit Includes: Convert 825, 825D. Relief Valve to 825YD design

Relief Valve Assembly			
905100	825YD, 826YD	2 1/2"-4"	2,417.00
905101	825YD, 826YD	6"-10"	2,486.00

Kit Includes: Items 21 thru 50

Relief Valve Rubber Kit			
905102	825YD, 826YD	2 1/2"-10"	274.00

Kit Includes: Items 26, 27, 27A, 31A, 32

Relief Valve Seat Ring Kit			
905103	825YD, 826YD	2 1/2"-10"	356.50

Kit Includes: Items 22A, 22B, 36, 36A, 36B

Relief Valve Module Kit			
905104	825YD, 826YD	2 1/2"-10"	1,549.00

Kit Includes: Items 905-104

Cover Assembly			
902497	825YD, 826YD	2 1/2"	486.50
902498	825YD, 826YD	3"	538.50
902499	825YD, 826YD	4"	635.00
902500	825YD, 826YD	6"	818.00
902501	825YD, 826YD	8"	1,927.00
902502	825YD, 826YD	10"	1,927.00

Kit Includes: Items 4, 4.1, 14 & Aircocock (not shown)

825, 825D

Reduced Pressure Zone Assembly

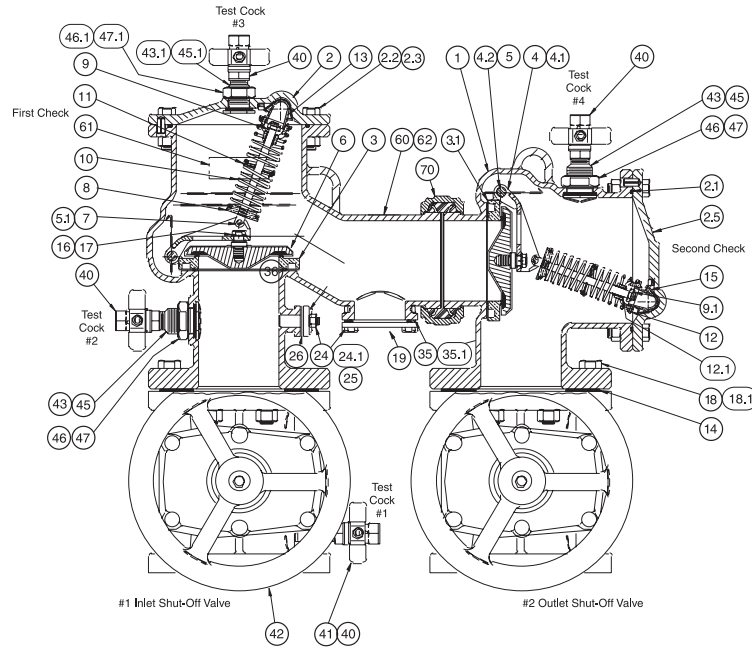
Contact FEBCO Representative for information on unlisted components for these older designs. To replace the entire assembly (recommended) use FEBCO Model LF860 Reduced Pressure Assembly and Spool Kit.

Supersedes all other price lists / Prices subject to change / Weights are estimated

¹Grooved ends available on all OS&Y gate valves in some models and sizes. Expect larger lead times.

Detailed maintenance manuals can be downloaded at www.FEBCOonline.com.

870, 870V / 876, 876V 2½" – 10" Double Check / Double Check Detector Assemblies



Ordering Code	Style	Size	List Price
Disc Assembly			
905152	ALL	2 1/2" & 3"	\$ 187.00
905153	ALL	4"	187.00
905154	ALL	6"	233.00
905155	ALL	8"	434.00
400145	ALL	10"	448.00

Kit Includes: Items 6, 16, 17 (10", Item 6 only)

Ordering Code	Style	Size	List Price
Spring Module			
905142	870, 870V	2 1/2" & 3"	183.00
905143	870, 870V	4"	200.50
905144	870, 870V	6"	241.50
905145	870, 870V	8"	274.00
905146	870, 870V	10"	811.00
905147	876, 876V	2 1/2" & 3"	187.00
905148	876, 876V	4"	208.00
905149	876, 876V	6"	256.00
905150	876, 876V	8"	282.00
905151	876, 876V	10"	811.00

Kit Includes: Items 5.1, 7, 8, 9, 9.1, 10, 11, 12, 12.1

Ordering Code	Style	Size	List Price
Check Replacement Kit			
905528	870, 870V	2 1/2" & 3"	998.00
905534	870, 870V	4"	965.50
905537	870, 870V	6"	1,263.00
905539	870, 870V	8"	1,613.00
905540	870, 870V	10"	2,722.00
905530	876, 876V	2 1/2" & 3"	1,010.00
905536	876, 876V	4"	973.50
905538	876, 876V	6"	1,281.00
905541	876, 876V	8"	1,748.00
—	876, 876V	10"	N/A

Kit Includes: Items 2.1, and 3 - 17

Ordering Code	Style	Size	List Price
Seat Ring / Arm Assembly			
905157	ALL	2 1/2" & 3"	304.00
905158	ALL	4"	317.50
905159	ALL	6"	457.50
905160	ALL	8"	500.50
905161	ALL	10"	534.50

Kit Includes: Items 3, 3.1, 3.2, 3.4, 4, 4.1, 4.2, 5

Ordering Code	Style	Size	List Price
Rubber Parts Kit			
905162	ALL	2 1/2" & 3"	\$ 361.00
905163	ALL	4"	361.00
905164	ALL	6"	497.50
905165	ALL	8"	1,081.00
905166	ALL	10"	1,142.00

Kit Includes: Items 2.1, 3.1, 6, 15, 26, 35, 35.1, 45, 45.1

Ordering Code	Style	Size	List Price
Cover Assembly (Inlet Check)[†]			
905167	ALL	2 1/2" & 3"	304.00
905168	ALL	4"	345.00
905169	ALL	6"	399.00
905170	ALL	8"	457.50
905171	ALL	10"	474.00

Kit Includes: Items 2, 2.1, 15

Ordering Code	Style	Size	List Price
Cover Assembly (Outlet Check)[†]			
905244	ALL	2 1/2" & 3"	304.00
905245	ALL	4"	345.00
905246	ALL	6"	399.00
905247	ALL	8", 10"	457.50

Kit Includes: Items 2, 2.1, 15

Ordering Code	Style	Size	List Price
Bulkhead Fitting For Cover[†]			
905275	870, 870V	2 1/2", 3", 4"	40.25
905277	870, 870V	6", 8", 10"	53.50
905275	876, 876V	2 1/2", 3", 4"	40.25
905277	876, 876V	6", 8", 10"	53.50

Kit Includes: Items 43.1, 45.1, 46.1, 47.1

Ordering Code	Style	Size	List Price
Bulkhead Fitting For Body[†]			
905276	870, 870V	2 1/2", 3", 4"	49.00
905277	870, 870V	6", 8", 10"	53.50
905275	876, 876V	2 1/2"-10"	40.25

Kit Includes: Items 43, 45, 46, 47

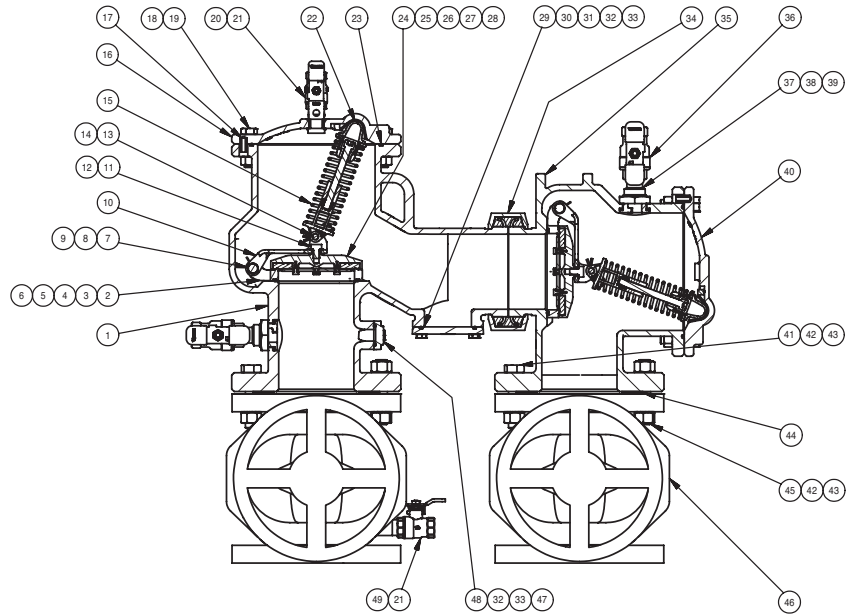
[†] Bulkhead fittings are not furnished on late models. Very early productions may require a different bulkhead fitting. Consult your FEBCO representative for assistance.

Supersedes all other price lists / Prices subject to change / Weights are estimated

[†]Grooved ends available on all OSY gate valves in some models and sizes. Expect larger lead times.

Detailed maintenance manuals can be downloaded at www.FEBCOonline.com.

LF870V, 876VST, LF876V 2 1/2" - 10" Double Check / Double Check Detector Assemblies



Ordering Code	Style	Size	List Price
Disc Assembly			
905466	ALL	2 1/2" & 3"	\$ 217.00
905467	ALL	4"	227.50
905468	ALL	6"	299.00
905469	ALL	8"	555.00
400145	ALL	10"	448.00

Kit Includes: Items 11, 12, 23, 24, 25, 26, 27, 28

Ordering Code	Style	Size	List Price
Check Rubber Kit			
905490	ALL	2 1/2" & 3"	124.00
905491	ALL	4"	135.00
905492	ALL	6"	155.50
905493	ALL	8" & 10"	258.00

Kit Includes: Items 3, 4, 23 and 25 Disk, Cover O-Ring, Port cover o-rings

Ordering Code	Style	Size	List Price
Spring Module			
905470	LF870 (1st & 2nd) 876ST, LF876 (1st)	2 1/2" & 3"	93.25
905471	LF870 (1st & 2nd) 876ST, LF876 (1st)	4"	120.00
905472	LF870 (1st & 2nd) 876ST, LF876 (1st)	6"	195.00
905473	LF870 (1st & 2nd) 876ST, LF876 (1st)	8"	217.00
905496	LF870 (1st & 2nd), LF876 (1st)	10"	217.00
905474	876ST (2nd)	2 1/2" & 3"	136.50
905475	876ST (2nd)	4"	157.00
905476	876ST (2nd)	6"	235.00
905477	876ST (2nd)	8"	229.00
905608	LF876 (2nd)	2 1/2" & 3"	133.00
905609	LF876 (2nd)	4"	153.50
905610	LF876 (2nd)	6"	230.00
905611	LF876 (2nd)	8"	224.00

Kit Includes: Item 15

Ordering Code	Style	Size	List Price
Seat Ring / Arm Assembly			
905486	ALL	2 1/2" & 3"	390.50
905487	ALL	4"	405.50
905488	ALL	6"	578.50
905489	ALL	8"	575.50
905501	ALL	10"	525.50

Kit Includes: Items 2, 3, 4, 5, 6, 7, 8, 9, 10

Ordering Code	Style	Size	List Price
Check Replacement Kit			
905478	LF870 (1st & 2nd) 876ST, LF876 (1st)	2 1/2" & 3"	\$ 780.50
905479	LF870 (1st & 2nd) 876ST, LF876 (1st)	4"	982.50
905480	LF870 (1st & 2nd) 876ST, LF876 (1st)	6"	1,430.00
905481	LF870 (1st & 2nd) 876ST, LF876 (1st)	8"	2,087.00
905499	LF870 (1st & 2nd), LF876 (1st)	10"	3,285.00
905482	876ST (2nd)	2 1/2" & 3"	854.50
905483	876ST (2nd)	4"	1,032.00
905484	876ST (2nd)	6"	1,499.00
905485	876ST (2nd)	8"	2,243.00
905612	LF876 (2nd)	2 1/2" & 3"	832.50
905613	LF876 (2nd)	4"	1,006.00
905614	LF876 (2nd)	6"	1,461.00
905615	LF876 (2nd)	8"	2,188.00

Kit Includes: Items 2 thru 12, 15, 23 thru 28
Cover O-Rings on all Check Kits

Ordering Code	Style	Size	List Price
Cover Assembly (Inlet Check LF870V, 876VST) (Outlet Check LF876V)			
905167	ALL	2 1/2" & 3"	304.00
905168	ALL	4"	345.00
905169	ALL	6"	399.00
905170	ALL	8"	457.50
905171	ALL	10"	474.00

Kit Includes: Items 16, 17, 22, 23

Ordering Code	Style	Size	List Price
Cover Assembly (Outlet Check LF870V)			
905244	ALL	2 1/2" & 3"	304.00
905245	ALL	4"	345.00
905246	ALL	6"	399.00
905247	ALL	8"	457.50
905248	ALL	10"	461.00

Kit Includes: Items 17, 22, 23, 40

Ordering Code	Style	Size	List Price
Bulkhead Fitting for Inlet Cover			
905275	ALL	2 1/2", 3", 4"	40.25
905277	ALL	6", 8", 10"	53.50

Kit Includes: Items 20

Ordering Code	Style	Size	List Price
Bulkhead Fitting for Body			
905276	870V	2 1/2", 3", 4"	49.00
905277	870V	6", 8", 10"	53.50
905277	876V	2 1/2"-10"	53.50

Kit Includes: Items 37, 38, 39

*The wetted surface of this product contacted by consumable water contains less than 0.25% of lead by weight.

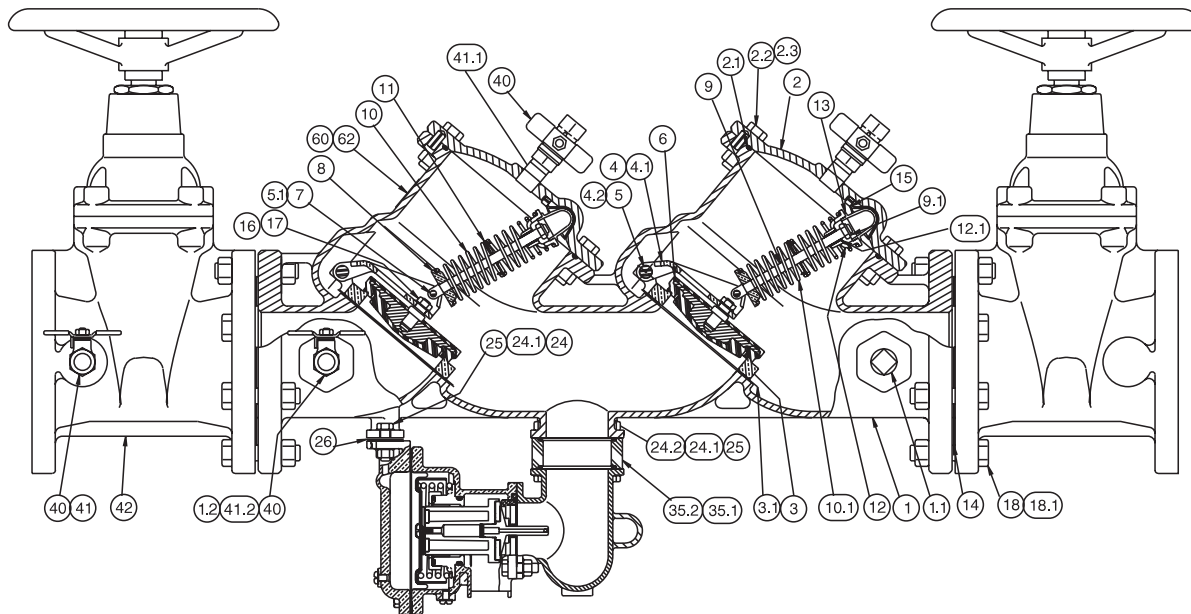
Supersedes all other price lists / Prices subject to change / Weights are estimated

¹Grooved ends available on all OS&Y gate valves in some models and sizes. Expect larger lead times.

Detailed maintenance manuals can be downloaded at www.FEBCOonline.com.

860

2 1/2" - 10" Reduced Pressure Zone Assemblies



Ordering Code	Style	Size	List Price
---------------	-------	------	------------

Disc Assembly

905182	860	2 1/2" & 3"	\$ 187.00
905183	860	4"	187.00
905184	860	6"	233.00
905185	860	8", 10"	434.00

Kit Includes: Items 6, 16, 17

Spring Module

905172	INLET	2 1/2" & 3"	183.00
905173	INLET	4"	200.50
905174	INLET	6"	241.50
905175	INLET	8", 10"	274.00
905142	OUTLET	2 1/2" & 3"	183.00
905143	OUTLET	4"	200.50
905144	OUTLET	6"	241.50
905145	OUTLET	8", 10"	274.00

Kit Includes: Items 2.1, 5.1, 7, 8, 9, 9.1, 10, 11, 12, 12.1

Check Replacement Kit

905543	INLET	2 1/2" & 3"	877.00
905546	INLET	4"	986.00
905550	INLET	6"	1,392.00
905554	INLET	8", 10"	2,006.00
905527	OUTLET	2 1/2" & 3"	856.50
905547	OUTLET	4"	948.00
905551	OUTLET	6"	1,256.00
905555	OUTLET	8", 10"	1,737.00

Kit Includes: Items 2.1, and 3 - 17

Seat Ring / Arm Assembly

905157	860	2 1/2" & 3"	304.00
905158	860	4"	317.50
905159	860	6"	457.50
905160	860	8", 10"	500.50

Kit Includes: Items 3, 3.1, 3.2, 3.4, 4, 4.1, 4.2, 5

Ordering Code	Style	Size	List Price
---------------	-------	------	------------

Check Rubber Kit

905409	860	2 1/2" & 3"	\$ 363.00
905410	860	4"	448.00
905411	860	6"	518.50
905412	860	8", 10"	832.00

Kit Includes: Items 2.1, 3.1, 6, 15-17, 26, 35, 35.1, 45, 45.1

Full Rubber Kit

905187	860	2 1/2" & 3"	557.00
905188	860	4"	557.00
905189	860	6"	637.00
905190	860	8", 10"	1,098.00

Kit Includes: (For two Checks and RV)

Cover Assembly

905167	With Bulkhead Fitting	2 1/2" & 3"	304.00
905168	With Bulkhead Fitting	4"	345.00
905169	With Bulkhead Fitting	6"	399.00
905170	With Bulkhead Fitting	8", 10"	457.50
905376	TAPPED	2 1/2" & 3"	304.00
905377	TAPPED	4"	345.00
905378	TAPPED	6"	399.00

Kit Includes: Items 2, 2.1, 15

For relief valve parts, see page 34.

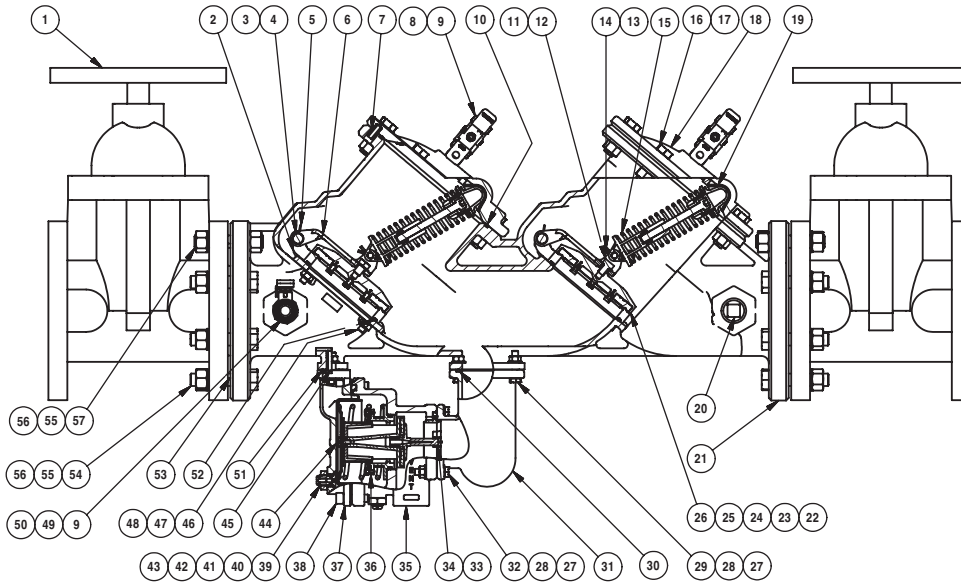
Supersedes all other price lists / Prices subject to change / Weights are estimated

¹Grooved ends available on all OS&Y gate valves in some models and sizes. Expect larger lead times.

Detailed maintenance manuals can be downloaded at www.FEBCOonline.com.

LF860, LF866

2 1/2" - 10" Reduced Pressure Zone Assemblies/Reduced Pressure Zone Detector Assemblies



Ordering Code	Style	Size	List Price
Disc Assembly			
LEAD FREE 905466	ALL	2 1/2" & 3"	\$ 217.00
905467	ALL	4"	227.50
905468	ALL	6"	299.00
905469	ALL	8" & 10"	555.00
Kit Includes: Items 11, 12, 22, 23, 24, 25, 26			
Check Rubber Kit			
LEAD FREE 905490	ALL	2 1/2" & 3"	124.00
905491	ALL	4"	135.00
905492	ALL	6"	155.50
905493	ALL	8" & 10"	258.00
Kit Includes: Items 10, 25, 30, and 51 and Seat Ring O-Rings			
Spring Module			
LEAD FREE 905507	LF860, 866 (1st)	2 1/2" & 3"	207.00
905508	LF860, 866 (1st)	4"	227.50
905509	LF860, 866 (1st)	6"	278.50
905510	LF860, 866 (1st)	8" & 10"	309.00
LEAD FREE 905470	LF860 (2nd)	2 1/2" & 3"	93.25
905471	LF860 (2nd)	4"	120.00
905472	LF860 (2nd)	6"	195.00
905473	LF860 (2nd)	8" & 10"	217.00
LEAD FREE 905608	866 (2nd)	2 1/2" & 3"	133.00
905609	866 (2nd)	4"	153.50
905610	866 (2nd)	6"	230.00
905611	866 (2nd)	8" & 10"	224.00
Kit Includes: Item 15			
Seat Ring / Arm Assembly			
LEAD FREE 905486	ALL	2 1/2" & 3"	390.50
905487	ALL	4"	405.50
905488	ALL	6"	578.50
905489	ALL	8" & 10"	575.50
Kit Includes: Items 2, 3, 4, 5, 6, 46, 47, 48, 52			

Ordering Code	Style	Size	List Price
Check Replacement Kit			
LEAD FREE 905511	860, 866 (1st)	2 1/2" & 3"	\$ 785.00
905512	860, 866 (1st)	4"	991.50
905514	860, 866 (1st)	6"	1,642.00
905515	860, 866 (1st)	8" & 10"	2,440.00
LEAD FREE 905478	860 (2nd)	2 1/2" & 3"	780.50
905479	860 (2nd)	4"	982.50
905480	860 (2nd)	6"	1,430.00
905481	860 (2nd)	8" & 10"	2,087.00
LEAD FREE 905612	866 (2nd)	2 1/2" & 3"	832.50
905613	866 (2nd)	4"	1,006.00
905614	866 (2nd)	6"	1,461.00
905615	866 (2nd)	8" & 10"	2,188.00
Kit Includes: Check Assembly, Seat Ring Arm, Spring Assembly, and Disc Assembly. Cover O-Rings on all Check Kits			
Full Rubber Kit			
LEAD FREE 905535	ALL	2 1/2" & 3"	299.00
905566	ALL	4"	309.00
905579	ALL	6"	330.00
905580	ALL	8" & 10"	432.00
Kit Includes: (For Two Checks and RV)			
Cover Assembly			
LEAD FREE 905376	ALL	2 1/2" & 3"	304.00
905377	ALL	4"	345.00
905378	ALL	6"	399.00
Kit Includes: Items 7, 10, 18, 19			

*The wetted surface of this product contacted by consumable water contains less than 0.25% of lead by weight.

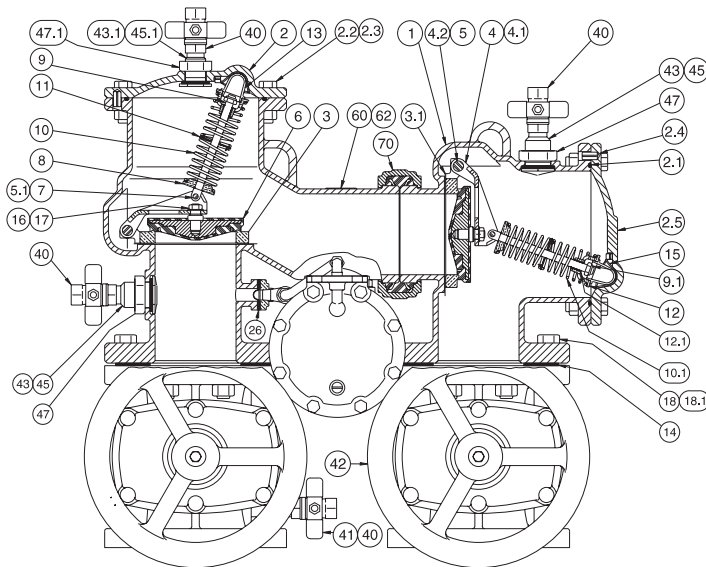
Supersedes all other price lists / Prices subject to change / Weights are estimated

¹Grooved ends available on all OS&Y gate valves in some models and sizes. Expect larger lead times.

Detailed maintenance manuals can be downloaded at www.FEBCOonline.com.

880, 880V

2 1/2" - 10" Reduced Pressure Zone Assemblies



Ordering Code	Style	Size	List Price
Disc Assembly			
905224	ALL	2 1/2" & 3"	\$ 187.00
905225	ALL	4"	187.00
905226	ALL	6"	233.00
905185	ALL	8"	434.00
400145	ALL	10"	448.00
Kit Includes: Items 6, 16, 17. (10", Item 6 only)			
Spring Module			
905172	INLET	2 1/2" & 3"	183.00
905173	INLET	4"	200.50
905174	INLET	6"	241.50
905175	INLET	8"	274.00
905176	INLET	10"	811.00
905142	OUTLET	2 1/2" & 3"	183.00
905143	OUTLET	4"	200.50
905144	OUTLET	6"	241.50
905145	OUTLET	8"	274.00
905146	OUTLET	10"	811.00
Kit Includes: Items 2.1, 5.1, 7, 8, 9, 9.1, 10, 11, 12, 12.1			
Check Replacement Kit			
905544	INLET	2 1/2" & 3"	846.50
905548	INLET	4"	954.00
905552	INLET	6"	1,406.00
905554	INLET	8"	2,006.00
905556	INLET	10"	2,990.00
905545	OUTLET	2 1/2" & 3"	829.00
905549	OUTLET	4"	920.50
905553	OUTLET	6"	1,274.00
905555	OUTLET	8"	1,737.00
905557	OUTLET	10"	2,727.00
Kit Includes: Items 2.1, and 3 - 17			

Ordering Code	Style	Size	List Price
Seat Ring / Arm Assembly			
905157	ALL	2 1/2" & 3"	\$ 304.00
905158	ALL	4"	317.50
905159	ALL	6"	457.50
905160	ALL	8"	500.50
905161	ALL	10"	534.50
Kit Includes: Items 3, 3.1, 3.2, 3.4, 4, 4.1, 4.2, 5			
Check Rubber Kit			
905413	ALL	2 1/2" & 3"	321.00
905414	ALL	4"	407.00
905415	ALL	6"	522.50
905412	ALL	8"	832.00
905416	ALL	10"	623.50
Kit Includes: Items 2.1, 3.1, 6, 15-17, 26, 35, 35.1, 45, 45.1			
Full Rubber Kit			
905227	ALL	2 1/2" & 3"	557.00
905228	ALL	4"	557.00
905229	ALL	6"	637.00
905190	ALL	8"	1,098.00
905191	ALL	10"	1,191.00
Kit Includes: For 2 Checks and RV			
Cover Assembly (Inlet Check)[†]			
905167	ALL	2 1/2" & 3"	304.00
905168	ALL	4"	345.00
905169	ALL	6"	399.00
905170	ALL	8"	457.50
905171	ALL	10"	474.00
Kit Includes: Items 2, 2.1, 15			
Cover Assembly (Outlet Check)[†]			
905244	ALL	2 1/2" & 3"	304.00
905245	ALL	4"	345.00
905246	ALL	6"	399.00
905247	ALL	8"	457.50
905248	ALL	10"	461.00
Kit Includes: Items 2, 2.1, 15			
Bulkhead Fittings[†]			
905275	FOR COVER	2 1/2", 3", 4"	40.25
905277	FOR COVER	6", 8", 10"	53.50
Bulkhead Fittings[†]			
905276	FOR BODY	2 1/2", 3", 4"	49.00
905277	FOR BODY	6", 8", 10"	53.50

[†] Bulkhead fittings are not furnished on late models. Very early productions of Model 876 may require a different bulkhead fitting. Consult your FEBCO representative for assistance.

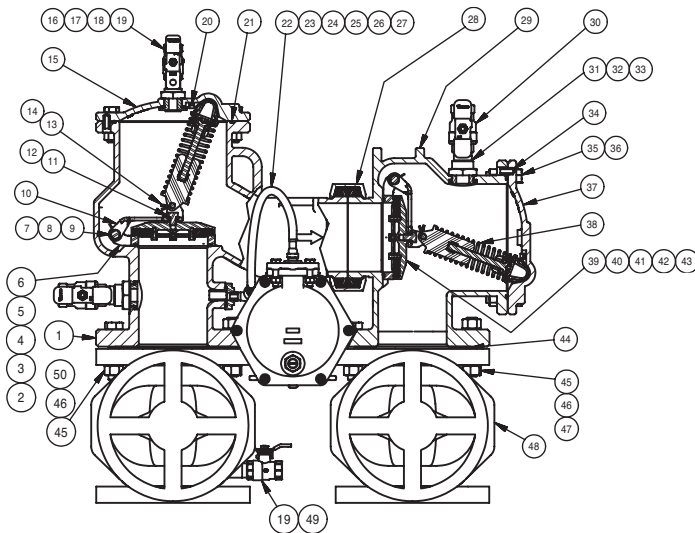
Supersedes all other price lists / Prices subject to change / Weights are estimated

¹Grooved ends available on all OS&Y gate valves in some models and sizes. Expect larger lead times.

Detailed maintenance manuals can be downloaded at www.FEBCOonline.com.

LF880V, LF886V

2 1/2" - 10" Reduced Pressure Zone Assemblies/ Reduced Pressure Zone Detector Assemblies



Ordering Code	Style	Size	List Price
Disc Assembly			
905466	ALL	2 1/2" & 3"	\$ 217.00
905467	ALL	4"	227.50
905468	ALL	6"	299.00
905469	ALL	8"	555.00
400145	ALL	10"	448.00
Kit Includes: Items 11, 12, 21, 39, 40, 41, 42, 43			
Check Rubber Kit			
905490	ALL	2 1/2" & 3"	124.00
905491	ALL	4"	135.00
905492	ALL	6"	155.50
905493	ALL	8" & 10"	258.00
Kit Includes: Items 4, 5, 21, 40			
Spring Module			
905507	880, 886 (1st)	2 1/2" & 3"	207.00
905508	880, 886 (1st)	4"	227.50
905509	880, 886 (1st)	6"	278.50
905510	880, 886 (1st)	8"	309.00
905584	880, 886 (1st)	10"	307.50
905470	880 (2nd)	2 1/2" & 3"	93.25
905471	880 (2nd)	4"	120.00
905472	880 (2nd)	6"	195.00
905473	880 (2nd)	8"	217.00
905496	880 (2nd)	10"	217.00
905608	886 (2nd)	2 1/2" & 3"	133.00
905609	886 (2nd)	4"	153.50
905610	886 (2nd)	6"	230.00
905611	886 (2nd)	8"	224.00
Kit Includes: Item 38			

Ordering Code	Style	Size	List Price
Seat Ring / Arm Assembly			
905486	ALL	2 1/2" & 3"	\$ 390.50
905487	ALL	4"	405.50
905488	ALL	6"	578.50
905489	ALL	8"	575.50
Kit Includes: Items 2 thru 10, 21			
Check Replacement Kit			
905511	880,886 (1st)	2 1/2" & 3"	785.00
905512	880,886 (1st)	4"	991.50
905514	880,886 (1st)	6"	1,642.00
905515	880,886 (1st)	8"	2,440.00
905589	880, 886 (1st)	10"	3,625.00
905478	880 (2nd)	2 1/2" & 3"	780.50
905479	880 (2nd)	4"	982.50
905480	880 (2nd)	6"	1,430.00
905481	880 (2nd)	8"	2,087.00
905499	880 (2nd)	10"	3,285.00
905612	886 (2nd)	2 1/2" & 3"	832.50
905613	886 (2nd)	4"	1,006.00
905614	886 (2nd)	6"	1,461.00
905615	886 (2nd)	8"	2,188.00
Kit Includes: Items 2 thru 12, 21, 38, 39, 40, 41, 42, 43 Cover O-Rings on all Check Kits			
Cover Assembly (Inlet Check 880V, Outlet 886V)			
905167	ALL	2 1/2" & 3"	304.00
905168	ALL	4"	345.00
905169	ALL	6"	399.00
905170	ALL	8"	457.50
905171	ALL	10"	474.00
Kit Includes: Items 2.4, 15, 20, 21			
Cover Assembly (Outlet Check 880V)			
905244	ALL	2 1/2" & 3"	304.00
905245	ALL	4"	345.00
905246	ALL	6"	399.00
905247	ALL	8"	457.50
905248	ALL	10"	461.00
Kit Includes: Items 2.4, 20, 21, 37			
Bulkhead Fittings for Cover			
905275	ALL	2 1/2", 3", 4"	40.25
905277	ALL	6", 8", 10"	53.50
Kit Includes: Items 16, 17, 18			
Bulkhead Fittings for Body			
905276	880V	2 1/2", 3", 4"	49.00
905277	880V	6", 8", 10"	53.50
905277	886V	2 1/2" - 10"	53.50
Kit Includes: Items 31, 32, 33			

*The wetted surface of this product contacted by consumable water contains less than 0.25% of lead by weight.

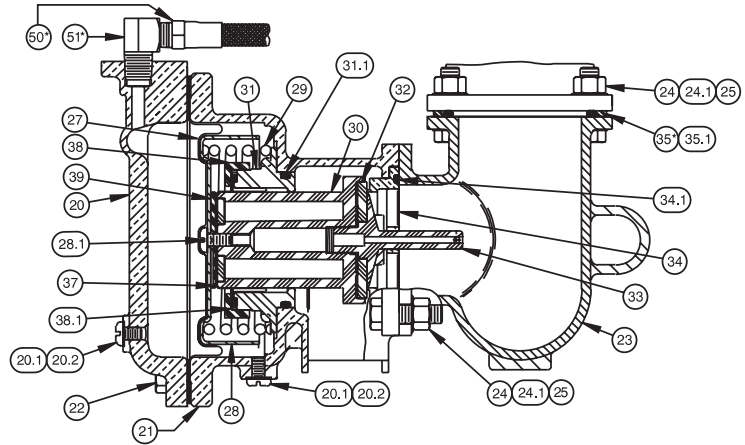
Supersedes all other price lists / Prices subject to change / Weights are estimated

¹Grooved ends available on all OS&Y gate valves in some models and sizes. Expect larger lead times.

860, 880

Relief Valve Repair Kits

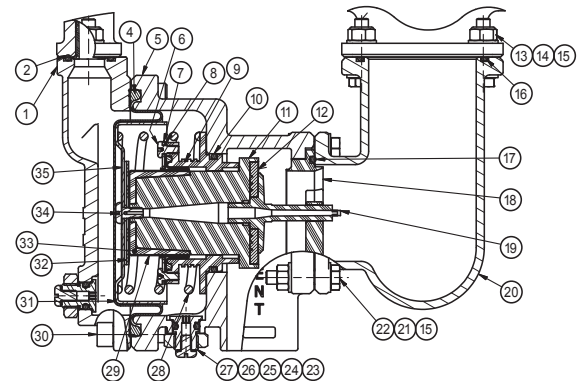
Ordering Code	List Price
RV Rubber Kit	
LEAD FREE 905316	\$ 157.50
Kit Includes: Items 26, 27, 31.1, 32, 34.1, 37	
RV Repair Parts Kit	
905192	390.50
Kit Includes: Items 26, 27, 28, 28.1, 29, 30, 31, 31.1, 32, 33, 34, 34.1, 37, 38, 38.1, 39	
Internal Module (Fully Assembled)	
905320	327.50
Kit Includes: Items 27, 28, 28.1, 29, 30, 31, 31.1, 32, 33, 37, 38, 38.1, 39	
Complete Relief Valve (860)	
905294	1,256.00
Kit Includes: Fully Assembled	
Complete Relief Valve (880V)	
905295	1,417.00
Kit Includes: Fully Assembled	



LF860, LF880V, LF866, LF886V

Relief Valve Repair Kits

Ordering Code	List Price
RV Rubber Kit	
LEAD FREE 905602	\$ 176.00
Kit Includes: Items 2, 4, 10, 12, 17 & 29	
RV Repair Parts Kit	
LEAD FREE 905603	340.50
Kit Includes: Items 2, 4, 6, 7, 8, 9, 10, 11, 12, 17, 18, 19, 28, 29, 31, 32, 33, 34 & 35	
Complete RV W/Elbows (LF860/LF866 2 1/2" - 8")	
LEAD FREE 905606	1,077.00
Kit Includes: Fully Assembled	
Complete RV W/Elbows (LF880V, LF886V, LF860/LF866 10")	
LEAD FREE 905607	1,231.00
Kit Includes: Fully Assembled	



LF856, LF876V, LF866, LF886V

Bypass Assemblies and Bypass Repair Kits

Ordering Code	Size	List Price
LF856/LF866		
LEAD FREE 905629	2 1/2" - 4"	\$ 754.50
905630	6" - 10"	780.50
LF876V/LF886V		
LEAD FREE 905625	2 1/2" - 3"	830.00
905638	4"	843.00
905626	6"	851.00
905639	8"	860.00
905640	10"	869.00
Kit supplied loosely assembled		

LF856, LF876V, LF866, LF886V cont.

Bypass Assemblies and Bypass Repair Kits

Ordering Code	Size	List Price
LF856/LF886/LF876V/LF886V/Bypass Hose		
LEAD FREE 905631	2 1/2" - 4"	36.25
905632	6" - 10"	54.00
FFFRK 619 CK1 Bypass Check Repair Kit		
LEAD FREE 905633	2 1/2" - 10"	97.50
FFFRK 619 Bypass Check Assembly		
LEAD FREE 905634	2 1/2" - 10"	279.00

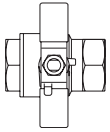
*The wetted surface of this product contacted by consumable water contains less than 0.25% of lead by weight.

Supersedes all other price lists / Prices subject to change / Weights are estimated

¹Grooved ends available on all OS&Y gate valves in some models and sizes. Expect larger lead times.

Detailed maintenance manuals can be downloaded at www.FEBCOonline.com.

Full Port Ball Valve



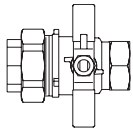
Model LF622F

Model LF622FT (Tapped)

Ordering Code	Size	List Price
LF622F (Non Tapped)		
781047LL	1/2"	\$ 27.50
781048LL	3/4"	32.00
781049LL	1"	62.00
781050LL	1 1/4"	107.50
781051LL	1 1/2"	153.50
781052LL	2"	199.00

Ordering Code	Size	List Price
LF622FT (Tapped)		
781244LL	1/2"	\$ 30.00
781053LL	3/4"	35.75
781054LL	1"	66.50
781055LL	1 1/4"	125.00
781056LL	1 1/2"	163.00
781057LL	2"	236.50

Union End Full Port Ball Valve



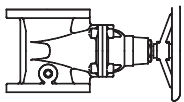
Model LF622UF

Model LF622UFT (Tapped)

Ordering Code	Size	List Price
LF622UF (Non Tapped)		
781288LL	3/4"	\$ 50.25
781289LL	1"	79.25
781290LL	1 1/4"	175.00
781291LL	1 1/2"	253.00
781292LL	2"	353.50

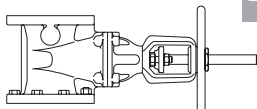
Ordering Code	Size	List Price
LF622UFT (Tapped)		
781293LL	1/2"	\$ 50.25
781294LL	3/4"	75.75
781295LL	1"	99.75
781296LL	1 1/4"	195.50
781297LL	1 1/2"	271.50
781298LL	2"	423.00

Resilient Wedge Gate Valve



NRS Gate Valve

Ordering Code	Size	List Price
NRS RW Gate Valves		
781005	2 1/2"	\$ 1,155.00
781006	3"	1,184.00
781007	4"	1,513.00
781008	6"	2,133.00
781009	8"	3,100.00
781010	10"	5,432.00



OSY Gate Valve

Ordering Code	Size	List Price
OSY RW Gate Valves		
780891	2 1/2"	\$ 1,513.00
780893	3"	1,880.00
780895	4"	1,891.00
780897	6"	2,631.00
780899	8"	4,538.00
780901	10"	6,368.00

The resilient wedge gate valve consists of a cast iron, epoxy coated body, with fully rubber encapsulated wedge. The valve body is flanged and rated to 200 PSI and tapped for test cock requirements. The non-rising stem gate valve is tested to AWWA (C509 NRS). The outside stem and yoke gate valve is UL Listed and FM Approved. Customer needs to specify the gate valve manufacturer required on the project.

*The wetted surface of this product contacted by consumable water contains less than 0.25% of lead by weight.

Supersedes all other price lists / Prices subject to change / Weights are estimated

¹Grooved ends available on all OS&Y gate valves in some models and sizes. Expect larger lead times.

To locate your nearest FEBCO representative, please go to
FEBCOonline.com/pages/contact.asp

Represented by:



A WATTS Brand

USA: T: (800) 767-1234 • F: (800) 788-4491 • FEBCOonline.com
Canada: T: (888) 208-8927 • F: (905) 481-2316 • FEBCOonline.ca
Latin America: T: (52) 55-4122-0138 • FEBCOonline.com