

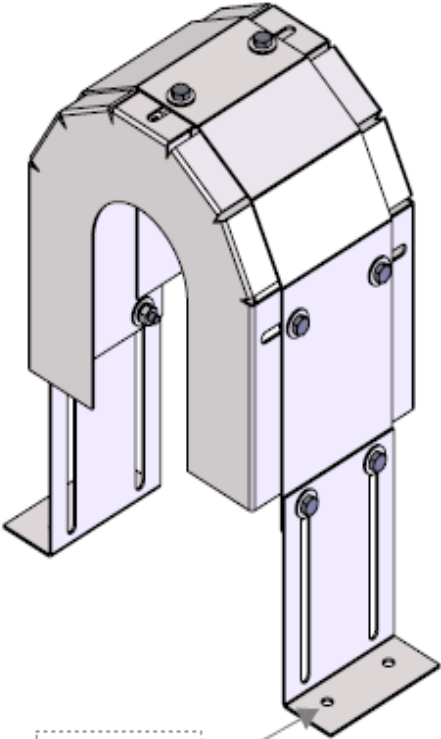
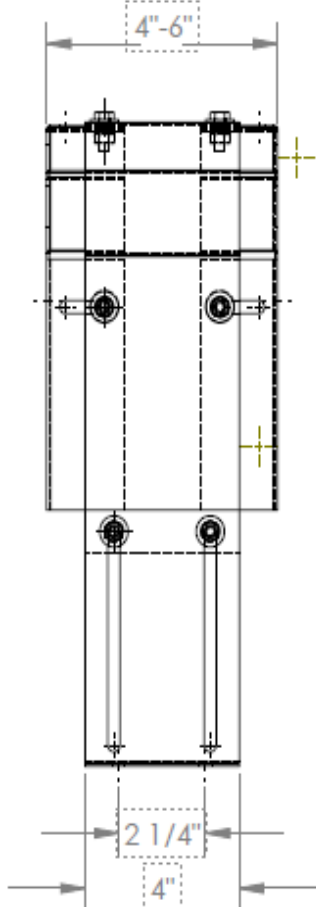
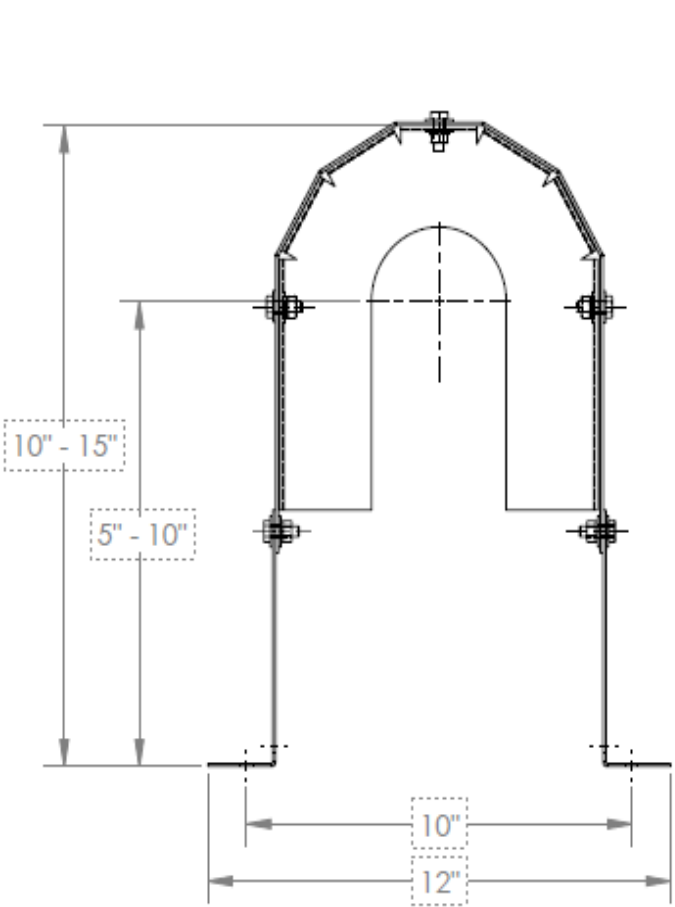
Adjustable Coupling Guard

***See Pages Below For Size Options**



Adjustable Coupling Guard Size Option (A) 4"

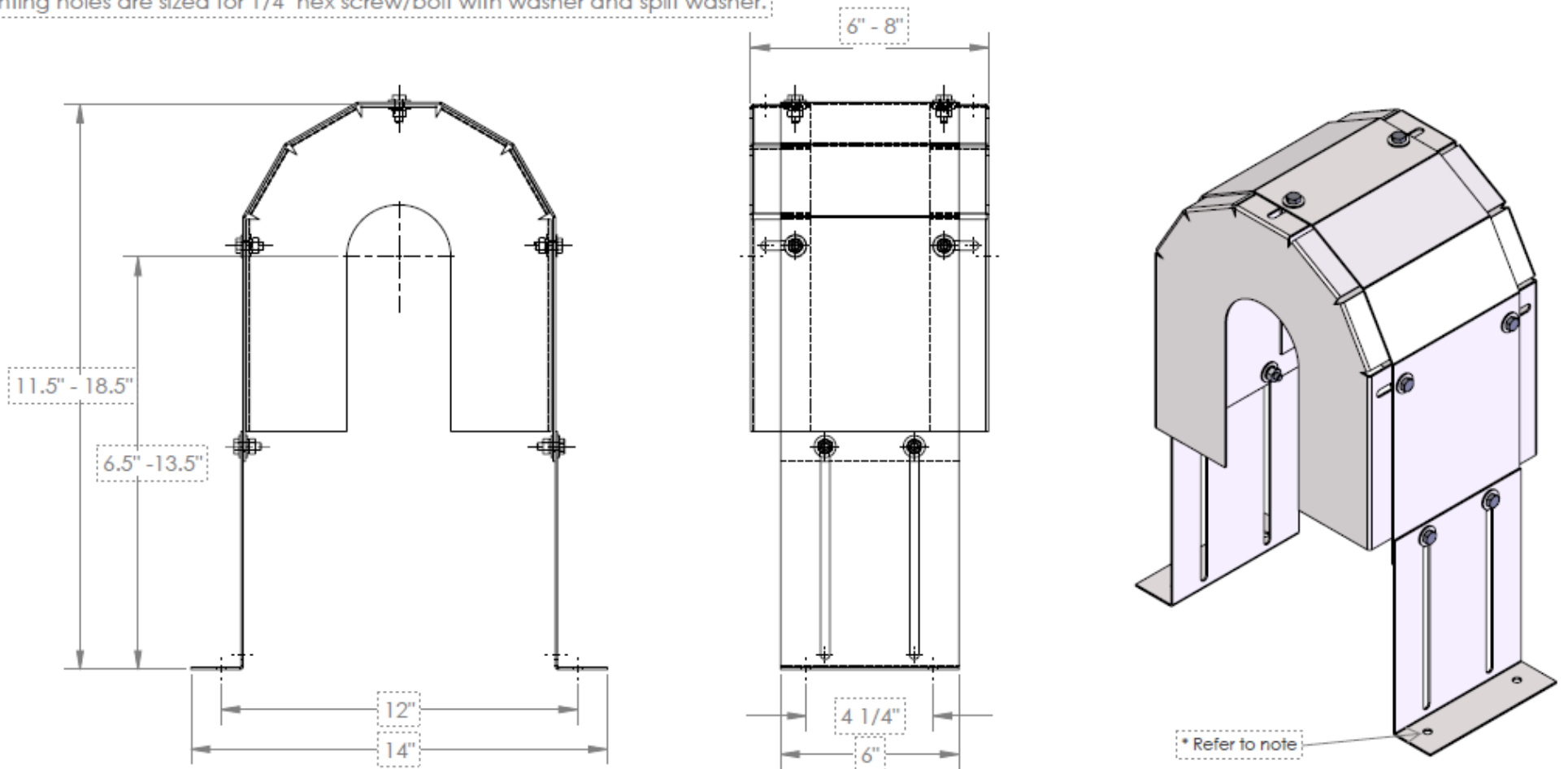
* Mounting holes are sized for 1/4" hex screw/bolt with washer and split washer.



* Refer to note

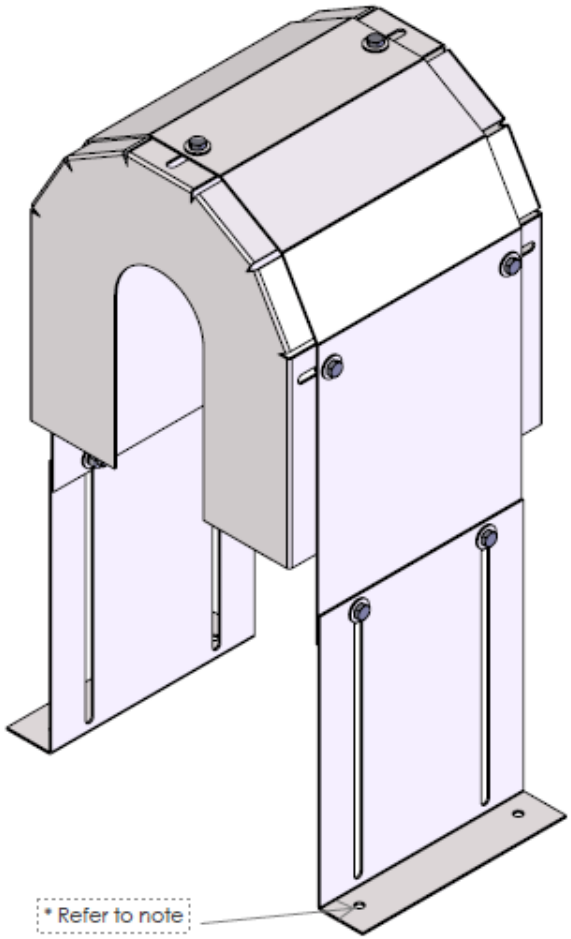
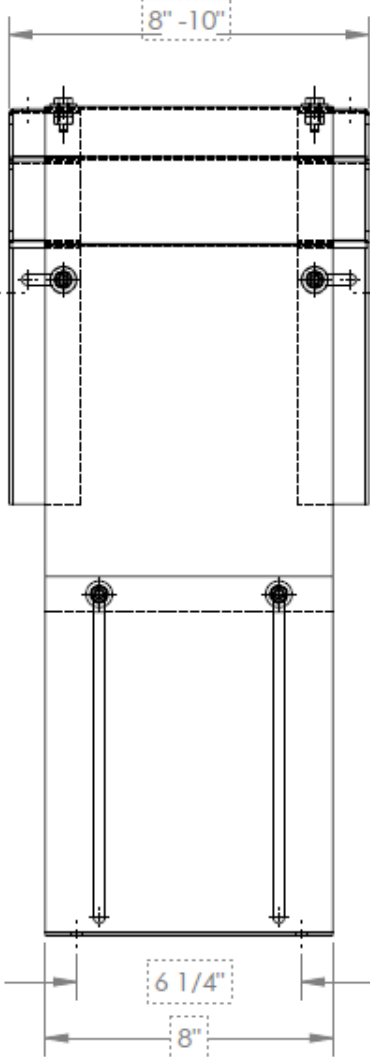
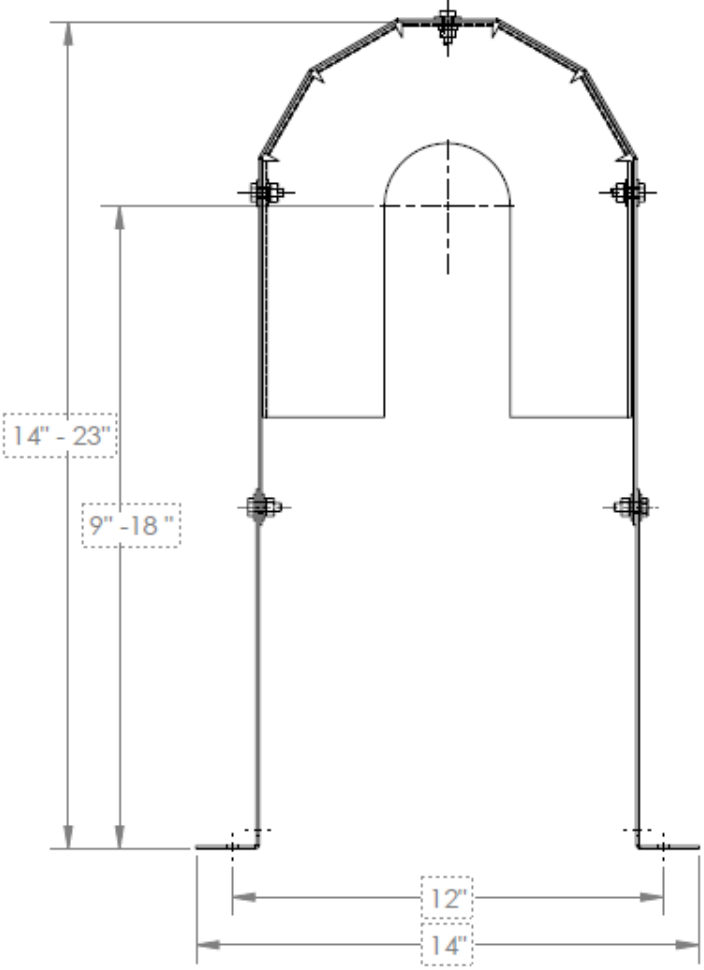
Adjustable Coupling Guard Size Option (B) 6"

* Mounting holes are sized for 1/4" hex screw/bolt with washer and split washer.



Adjustable Coupling Guard Size Option (C) 8 "

* Mounting holes are sized for 1/4" hex screw/bolt with washer and split washer.



* Refer to note

Adjustable Coupling Guard Size Option (D) 10"

* Mounting holes are sized for 1/4" hex screw/bolt with washer and split washer.

