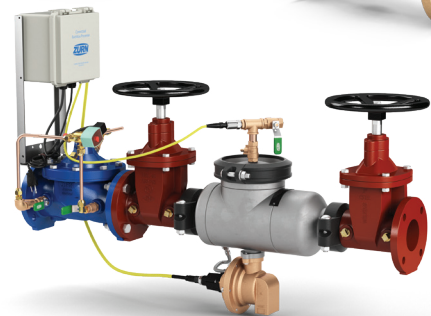
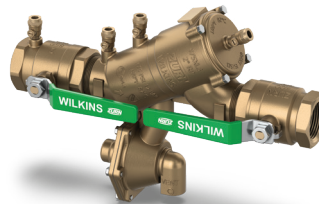
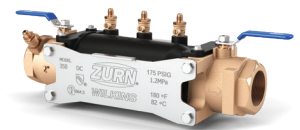


# Zurn Wilkins Water Control & Water Safety

ZW0624 Customer Guide – North America



# INTRODUCTION

<b>GENERAL TERMS AND CONDITIONS</b>	<b>2</b>
<b>TABLE OF CONTENTS BY PRODUCT CATEGORIES</b>	<b>4</b>
<b>LEAD FREE</b>	<b>6</b>

## GENERAL TERMS AND CONDITIONS

### Zurn Terms and Conditions for the United States

#### PRICE AND TERMS OF PAYMENT

Terms are net, payable 30 days from date of invoice. Zurn Credit must be identified of potential pricing errors within 30 days of invoice date. Shortage claims must be reported within 10 working days of receiving product to your local Zurn Rep or Zurn Customer Care. The Buyer shall pay all sales, consumers, or other applicable taxes. A 1-1/2% monthly (18% annual) service charge will be added to the outstanding balance of all past due invoices.

Minimum invoice \$250.00. Zurn Water, LLC ("Zurn") reserves the right to apply a minimum order charge in order to meet the \$250.00 minimum invoice requirement. All orders are subject to credit approval by the Zurn Credit Department prior to the acceptance of an order. Orders may be refused, delivery may be withheld, or shipment stopped in transit without any liability on Zurn's part at Zurn's sole discretion based upon Buyer's credit worthiness as determined by Zurn.

#### FREIGHT

All sales are F.O.B. seller's location. Zurn will allow full freight allowance when any of the following conditions are met: 1) Plumbing Fixtures only orders totaling \$10,000 or more; 2) Zurn One Systems orders of \$7,500 or more; 3) Any combination of Linear Drainage and/or Stainless Drains orders of \$5,000 or more; 4) Any combination of Specification Drainage, Finish Plumbing, and/or Zurn Wilkins of \$5,000 or more; 5) Commercial Drainage only orders of \$3,500 or more; 6) PEX orders of \$3,000 or more. This full freight allowance applies when the shipment is within the continental United States and has a single destination of a Buyer's standard address or job location. Routing of shipment shall be determined at the sole discretion of Zurn. Shipping dates are estimates and time of delivery shall not be of the essence of this sale contract. Under no circumstances will the Seller have any responsibility on account of any delays in manufacture, transportation, or otherwise. Terms of Export Shipment on application.

**NOTE:** Shipments in excess of 90" long or 3,000 lbs may be subject to additional charges, and shall be defined as an oversized and/or overweight product and Zurn's standard FFA terms may not apply. Please contact our Customer Service Department for guidance on potential additional shipping charges. This new policy supersedes any existing agreements.

These charges and restrictions apply in addition to Zurn standard terms and conditions for sale unless otherwise agreed upon by the parties.

#### LIMITED WARRANTY

Zurn goods sold hereunder are warranted to be free from defects in material and factory workmanship for the period of time from the date of purchase: AquaVantage® Flush Valves, AquaFlush® Flush Valves, Commercial Fixtures, Faucets, Showers, and Tubular Brass: three years; Chemical Drainage, Linear Drainage, Commercial Drainage, Specification Drainage, Zurn Wilkins, and Flush Valve, Faucets, and Tubular Brass decorative finishes: one year; PHIX® Cartridge: ten years; FOG-ceptor®: thirty years. Where permitted by law, **THE IMPLIED WARRANTY OF MERCHANTABILITY IS LIMITED TO THE ABOVE IDENTIFIED PERIOD OF TIME AND SHALL BE LIMITED SOLELY TO THE REPLACEMENT OF THE DEFECTIVE GOODS.** A damaged/broken test cock or ball valve is not considered defective. Please contact Zurn Customer Care for assistance.

Zurn will replace goods at no cost that prove defective provided Zurn is notified in writing of such defect and the goods are returned prepaid at the specified Zurn location with evidence that they have been properly maintained and used in accordance with instructions. **ZURN SHALL NOT BE RESPONSIBLE FOR ANY LABOR CHARGES OR ANY LOSS, INJURY, OR DAMAGES WHATSOEVER, INCLUDING, BUT NOT LIMITED TO, INCIDENTAL OR CONSEQUENTIAL DAMAGES.** The sole and exclusive remedy shall be limited to the replacement of the defective goods. Before installation and use, the purchaser shall determine the suitability of the product for his intended use and the purchaser assumes all risk and liability whatever in the connection therewith. All weights stated in Zurn catalogs and lists are approximate and are not guaranteed.

#### RETURNED GOODS

Standard cataloged material may be returned only with the written permission of Zurn. Returned goods are subject to a 25% restocking charge of total saleable material returned, plus the cost of reconditioning, if necessary, to make material sellable. Transportation charges are the responsibility of the Buyer. Credit allowance will be in the form of merchandise credit only – not cash credit. The value of the return must total at least \$100.00 to qualify for credit allowance. No credit will be allowed for parts unless originally ordered and invoiced as parts. No credit will be allowed for discontinued or made-to-order items. Items that have been specially made are not subject to return or cancellation except by special negotiation. Material must be returned within one year of invoice date for credit to be issued for Commercial Fixtures, Flush Valve Products, Specification Drainage, Tubular Brass, Zurn Wilkins, Chemical Drainage, Linear Drainage, and Commercial Drainage. No credit is allowed for Linear Drainage products that have been cut and Specification Drainage product with auxiliary tapings. Flush Valve material over one year old will be subject to a 50% handling charge. Flush Valve material over five years old will not be accepted. Commercial Drainage and Specification Drainage galvanized material will be credited at value of Dura-Coated cast iron, and chrome-plated at value of bronze. Zurn Wilkins damaged/broken test cocks or ball valves are not considered defective.

#### ILLUSTRATIONS OF TYPICAL INSTALLATIONS

The typical installations for various products found in each product section are intended to illustrate the products and potential options for the use of these products. Under no circumstances are they to be construed as recommended installation procedures. Consult local codes and project specifications for proper installation instructions.

#### SHORTAGE/DAMAGE CLAIMS

Notification of material shortages or incorrect filling of orders must be made to Zurn within 10 days of receipt. No claims over three months old will be honored. Buyer agrees to make all complaints for damage in transit or "short count" directly to the carrier; before the contents are unloaded have the carrier agent's acknowledgment of such damage noted on the bill of lading and to present to the carrier its agent's acknowledgment of such damaged material with formal claim covering said damage.

#### GENERAL

Zurn reserves the right to make changes in design or equipment of any item or product without incurring any obligation on previously sold items, and to discontinue items at any time, without notice. Possession of this Catalog or other sales literature is not to be construed as an offer to sell. All orders are subject to acceptance by Zurn. Catalog printed in U.S.A.

Zurn flush valves are designed to comply with Army Corp of Engineers and Naval guide specifications, Military Specification MIL.V.29193 and Federal Specification WWP541.

Zurn flush valves comply with the following standards: ASME A112.18.1/CSA B125.1, A112.19.5, A112.19.2, A112.19.6, ASSE 1037 and 101 are listed by the following agencies: Canadian Standards, IAPMO/UPC/CUPC, and CSA 125.3. Zurn flush valves are manufactured from dezincification resistant alloys. For additional compliances, contact Zurn Water, LLC, Finish Plumbing Operation, or 1-800-997-3876.

Zurn is not responsible for typographical errors. The contents of this guide are subject to revision without notice.

© 2024 Zurn Water, LLC Items in this guide may be covered by U.S. and foreign Patents and Patents Pending. Registered Trademarks.

# GENERAL TERMS AND CONDITIONS

## Zurn Terms and Conditions for Canada

### PRICE AND TERMS OF PAYMENT

Terms are net, payable 30 days from date of invoice. Zurn Credit must be identified of potential pricing errors within 30 days of invoice date. Shortage claims must be reported within 10 working days of receiving product to your local Zurn Rep or Zurn Customer Care. The Buyer shall pay all sales, consumers, or other applicable taxes. A 1-1/2% monthly (18% annual) service charge will be added to the outstanding balance of all past due invoices.

Minimum invoice \$100.00. Zurn Water, LLC ("Zurn") reserves the right to apply a minimum order charge in order to meet the \$100.00 minimum invoice requirement. All orders are subject to credit approval by the Zurn Credit Department prior to the acceptance of an order. Orders may be refused, delivery may be withheld, or shipment stopped in transit without any liability on Zurn's part at Zurn's sole discretion based upon Buyer's credit worthiness as determined by Zurn.

### FREIGHT

Zurn Canada is pleased to provide an industry-leading \$3,500 combined prepaid freight amount, not including Zurn Green Turtle product sales.

All sales are F.O.B. seller's location. Routing of shipment shall be determined at the sole discretion of Zurn. Shipping dates are estimates and time of delivery shall not be of the essence of this sale contract. Under no circumstances will the Seller have any responsibility on account of any delays in manufacture, transportation, or otherwise.

**NOTE:** Any product dimension larger than 92" or any single item weighing more than 3,500 lb, shall be defined as an oversized and/or overweight product and Zurn's standard FFA terms may not apply. Please contact our customer service department for guidance on potential additional shipping charges.

These charges and restrictions apply in addition to Zurn standard terms and conditions for sale unless otherwise agreed upon by the parties.

### LIMITED WARRANTY

Zurn goods sold hereunder are warranted to be free from defects in material and factory workmanship for the period of time from the date of purchase: AquaVantage® Flush Valves, AquaFlush® Flush Valves, Commercial Fixtures, Faucets, Showers, and Tubular Brass: three years; Chemical Drainage, Trench Drainage, Commercial Drainage, Specification Drainage, Zurn Wilkins, and Flush Valve and Tubular Brass decorative finishes: one year, PHIX® Cartridge ten years. Where permitted by law, **THE IMPLIED WARRANTY OF MERCHANTABILITY IS LIMITED TO THE ABOVE IDENTIFIED PERIOD OF TIME AND SHALL BE LIMITED SOLELY TO THE REPLACEMENT OF THE DEFECTIVE GOODS.** A damaged/broken test cock or ball valve is not considered defective. Please contact Zurn Customer Care for assistance.

Zurn will replace goods at no cost that prove defective provided Zurn is notified in writing of such defect and the goods are returned prepaid at the specified Zurn location with evidence that they have been properly maintained and used in accordance with instructions. **ZURN SHALL NOT BE RESPONSIBLE FOR ANY LABOR CHARGES OR ANY LOSS, INJURY, OR DAMAGES WHATSOEVER, INCLUDING, BUT NOT LIMITED TO, INCIDENTAL OR CONSEQUENTIAL DAMAGES.** The sole and exclusive remedy shall be limited to the replacement of the defective goods. Before installation and use, the purchaser shall determine the suitability of the product for his intended use and the purchaser assumes all risk and liability whatever in the connection therewith. All weights stated in Zurn catalogs and lists are approximate and are not guaranteed.

### RETURNED GOODS

Standard cataloged material may be returned only with the written permission of Zurn. Returned goods are subject to a 25% restocking charge of total saleable material returned, plus the cost of reconditioning, if necessary, to make material sellable. Transportation charges are the responsibility of the Buyer. The value of the return must total at least \$100.00 to qualify for credit allowance. No credit will be allowed for parts unless originally ordered and invoiced as parts. No credit will be allowed for discontinued or made-to-order items. Items that have been specially made are not subject to return or cancellation except by special negotiation. Material must be returned within one year of invoice date for credit to be issued. Commercial Drainage and Specification Drainage galvanized material will be credited at value of Dura-Coated cast iron, and chrome plated at value of bronze. Zurn Wilkins damaged/broken test cocks or ball valves are not considered defective.

### ILLUSTRATIONS OF TYPICAL INSTALLATIONS

The typical installations for various products found in each product section are intended to illustrate the products and potential options for the use of these products. Under no circumstances are they to be construed as recommended installation procedures. Consult local codes and project specifications for proper installation instructions.

### SHORTAGE/DAMAGE CLAIMS

Notification of material shortages or incorrect filling of orders must be made to Zurn within 10 days of receipt. No claims over three months old will be honored. Buyer agrees to make all complaints for damage in transit or "short count" directly to the carrier; before the contents are unloaded have the carrier agent's acknowledgment of such damage noted on the bill of lading and to present to the carrier its agent's acknowledgment of such damaged material with formal claim covering said damage.

### GENERAL

Zurn reserves the right to make changes in design or equipment of any item or product without incurring any obligation on previously sold items, and to discontinue items at any time, without notice. Possession of this Catalog or other sales literature is not to be construed as an offer to sell. All orders are subject to acceptance by Zurn. Catalog printed in U.S.A.

Zurn flush valves are designed to comply with Army Corp of Engineers and Naval guide specifications, Military Specification MIL.V.29193 and Federal Specification WWP541.

Zurn flush valves comply with the following standards: ASME A112.18.1/CSA B125.1, A112.19.5, A112.19.2, A112.19.6, ASSE 1037 and 101 are listed by the following agencies: Canadian Standards, IAPMO/UPC/CUPC, and CSA 125.3. Zurn flush valves are manufactured from dezincification resistant alloys. For additional compliances, contact Zurn Water, LLC, Commercial Brass Operation, or 1-800-997-3876.

Zurn is not responsible for typographical errors. The contents of this guide are subject to revision without notice.

© 2024 Zurn Water, LLC Items in this guide may be covered by U.S. and foreign Patents and Patents Pending. Registered Trademarks.

## TABLE OF CONTENTS BY PRODUCT CATEGORIES

<b>GENERAL TERMS AND CONDITIONS</b>	<b>2</b>	<b>460XL SERIES – SPILL RESISTANT PRESSURE VACUUM BREAKER</b>	<b>47</b>
<b>TABLE OF CONTENTS BY PRODUCT CATEGORIES</b>	<b>4</b>	<b>710 SERIES – PRESSURE VACUUM BREAKER</b>	<b>48</b>
<b>LEAD FREE</b>	<b>6</b>	<b>720A SERIES – PRESSURE VACUUM BREAKER</b>	<b>49</b>
<b>BACKFLOW PREVENTERS</b>	<b>7</b>	<b>700XL SERIES – DUAL CHECK VALVE</b>	<b>50</b>
<b>300 SERIES PRODUCT DECODER</b>	<b>8</b>	<b>700XLFP SERIES – DUAL CHECK VALVE</b>	<b>50</b>
<b>350XL/350 SERIES – DOUBLE CHECK VALVE ASSEMBLY</b>	<b>9</b>	<b>705 SERIES – DUAL CHECK VALVE</b>	<b>51</b>
<b>950XL2/950XLT SERIES – TOP ACCESS DOUBLE CHECK VALVE ASSEMBLY</b>	<b>10</b>	<b>730/735 SERIES – LABORATORY FAUCET VACUUM BREAKER</b>	<b>51</b>
<b>950XL SERIES – DOUBLE CHECK VALVE ASSEMBLY</b>	<b>11</b>	<b>740 SERIES – BACKFLOW PREVENTER FOR VENDING MACHINE WATER SUPPLY</b>	<b>52</b>
<b>350AST SERIES – DOUBLE CHECK VALVE ASSEMBLY WITH STAINLESS STEEL BODY</b>	<b>11</b>	<b>760 SERIES – DUAL CHECK WITH ATMOSPHERIC VENT</b>	<b>52</b>
<b>950XL3 SERIES – DOUBLE CHECK VALVE ASSEMBLY</b>	<b>12</b>	<b>40XL2 SERIES – IN-LINE SINGLE CHECK VALVE</b>	<b>53</b>
<b>350A/350 SERIES – DOUBLE CHECK VALVE ASSEMBLY</b>	<b>14</b>	<b>35XL SERIES – ATMOSPHERIC VACUUM BREAKER</b>	<b>53</b>
<b>450ST SERIES – DOUBLE CHECK VALVE ASSEMBLY WITH STAINLESS STEEL BODY</b>	<b>16</b>	<b>BFP-9 &amp; BFP-8F SERIES – HOSE CONNECTION VACUUM BREAKER</b>	<b>54</b>
<b>450 SERIES – DOUBLE CHECK VALVE ASSEMBLY</b>	<b>17</b>	<b>BACKFLOW PREVENTERS ACCESSORIES</b>	<b>55</b>
<b>950XLTD SERIES – DOUBLE CHECK DETECTOR ASSEMBLY</b>	<b>18</b>	<b>WBR SERIES – IN BUILDING RISERS</b>	<b>56</b>
<b>350ASTDA SERIES – DOUBLE CHECK DETECTOR ASSEMBLY WITH STAINLESS STEEL BODY</b>	<b>19</b>	<b>ZWFR – FREEZE RELIEF VALVE</b>	<b>56</b>
<b>350ADA/350DA SERIES – DOUBLE CHECK DETECTOR ASSEMBLY</b>	<b>20</b>	<b>BVMS – BALL VALVE MONITOR SWITCH</b>	<b>57</b>
<b>450STDA SERIES – DOUBLE CHECK DETECTOR ASSEMBLY WITH STAINLESS STEEL BODY</b>	<b>22</b>	<b>OSY-40 – GATE VALVE SUPERVISORY SWITCH KIT</b>	<b>57</b>
<b>450DA SERIES – DOUBLE CHECK DETECTOR ASSEMBLY</b>	<b>23</b>	<b>850XL SERIES – FULL PORT BALL VALVE</b>	<b>57</b>
<b>375XL/375 SERIES – REDUCED PRESSURE PRINCIPLE ASSEMBLY</b>	<b>24</b>	<b>48 SERIES – NRS GATE VALVE</b>	<b>58</b>
<b>375XLB SERIES – THEFT PREVENTION REDUCED PRESSURE PRINCIPLE ASSEMBLY</b>	<b>25</b>	<b>48OSY SERIES – OS&amp;Y GATE VALVE</b>	<b>58</b>
<b>375ST SERIES – STAINLESS STEEL REDUCED PRESSURE PRINCIPLE ASSEMBLY</b>	<b>25</b>	<b>48PIV – POST INDICATOR GATE VALVE</b>	<b>59</b>
<b>975XL2/975XL SERIES – REDUCED PRESSURE PRINCIPLE ASSEMBLY</b>	<b>26</b>	<b>F48OSYF SERIES – FIRE OS&amp;Y UNTAPPED GATE VALVE</b>	<b>59</b>
<b>975XLST SERIES – STAINLESS STEEL REDUCED PRESSURE PRINCIPLE ASSEMBLY</b>	<b>26</b>	<b>49 SERIES – BUTTERFLY VALVE</b>	<b>60</b>
<b>975XL2SE / 975XL2SEU SERIES – REDUCED PRESSURE PRINCIPLE ASSEMBLY WITH 90° STREET ELBOW</b>	<b>27</b>	<b>FLUSH FITTING TOOLS – 350/375 BACKFLOW PREVENTERS</b>	<b>60</b>
<b>975XL3 SERIES – REDUCED PRESSURE PRINCIPLE ASSEMBLY</b>	<b>28</b>	<b>TG-3 AND TG-5 – BACKFLOW ASSEMBLY TEST KITS</b>	<b>60</b>
<b>375AST SERIES – REDUCED PRESSURE PRINCIPLE ASSEMBLY WITH STAINLESS STEEL BODY</b>	<b>29</b>	<b>QT-SET (BRASS) AND QTP (PLASTIC) – QUICK TEST FITTINGS</b>	<b>61</b>
<b>375A/375 SERIES – REDUCED PRESSURE PRINCIPLE ASSEMBLY</b>	<b>30</b>	<b>400 SERIES SETTER</b>	<b>61</b>
<b>475ST/475STV SERIES – REDUCED PRESSURE PRINCIPLE ASSEMBLY WITH STAINLESS STEEL BODY</b>	<b>32</b>	<b>400ST SERIES SETTER</b>	<b>61</b>
<b>475/475V SERIES – REDUCED PRESSURE PRINCIPLE ASSEMBLY</b>	<b>34</b>	<b>RFK4X3-400ST – 4" X 3" SETTER ADAPTERS FOR 400ST SERIES</b>	<b>62</b>
<b>375W1/375AW1/375ASTW1 SERIES AND W1 RETROFIT KIT – CONNECTED BACKFLOW W/ WIRELESS MONITOR (2-1/2" - 10")</b>	<b>36</b>	<b>AG SERIES – AIR GAP</b>	<b>62</b>
<b>GATEWAY</b>	<b>36</b>	<b>STRAINERS</b>	<b>63</b>
<b>FCIS SERIES – CONNECTED FLOOD CONTROL SYSTEM (2-1/2" - 10") / FLOOD CONTROL INTEGRATED SYSTEM (1-1/4" - 2")</b>	<b>37</b>	<b>YBXL SERIES – WYE STRAINER</b>	<b>64</b>
<b>GATEWAY</b>	<b>37</b>	<b>SXL SERIES – WYE STRAINER</b>	<b>65</b>
<b>ZCSM-PF AND ZCSM-BTM – CONNECTED PRESSURE MONITOR (ZCSM-PF) WITH OPTIONAL CONNECTED FLOW METER (ZCSM-BTM)</b>	<b>38</b>	<b>FSC SERIES – WYE STRAINER</b>	<b>65</b>
<b>GATEWAY</b>	<b>38</b>	<b>AUTOMATIC CONTROL VALVES</b>	<b>67</b>
<b>975XLHBM SERIES – HYDRANT BACKFLOW AND METER VALVE</b>	<b>39</b>	<b>ACV PART NUMBER CONFIGURATION TOOL</b>	<b>68</b>
<b>RPHBM SERIES – HIGH CAPACITY HYDRANT BACKFLOW AND METER COMBINATION</b>	<b>39</b>	<b>ZW209 SERIES – PRESSURE REDUCING VALVE</b>	<b>69</b>
<b>375ASTDA SERIES – REDUCED PRESSURE PRINCIPLE DETECTOR ASSEMBLY WITH STAINLESS STEEL BODY</b>	<b>40</b>	<b>ZW207 SERIES – EXCESS PRESSURE SHUT-OFF VALVE</b>	<b>70</b>
<b>375ADA/375DA SERIES – REDUCED PRESSURE PRINCIPLE DETECTOR ASSEMBLY</b>	<b>42</b>	<b>ZW206 SERIES – SOLENOID CONTROL VALVE</b>	<b>71</b>
<b>475STDA/475STDAV SERIES – REDUCED PRESSURE PRINCIPLE DETECTOR ASSEMBLY WITH STAINLESS STEEL BODY</b>	<b>44</b>	<b>ZW205 SERIES – PRESSURE RELIEF, PRESSURE SUSTAINING VALVE</b>	<b>72</b>
<b>475DA/475DAV SERIES – REDUCED PRESSURE PRINCIPLE DETECTOR ASSEMBLY</b>	<b>45</b>	<b>ZW204 SERIES – NON-MODULATING FLOAT VALVE</b>	<b>73</b>
<b>310/310DA SERIES – SINGLE CHECK VALVE ASSEMBLY</b>	<b>46</b>	<b>ZW218 SERIES – SLOW CLOSE CHECK VALVE</b>	<b>74</b>
<b>420XL SERIES – PRESSURE VACUUM BREAKER</b>	<b>47</b>	<b>ZW221/ZW222 SERIES – ALTITUDE LEVEL CONTROL VALVES</b>	<b>75</b>
		<b>ZW209FP SERIES – FIRE PROTECTION PRESSURE REDUCING VALVE</b>	<b>76</b>
		<b>ZW205FP SERIES – FIRE PROTECTION PRESSURE RELIEF VALVE</b>	<b>77</b>
		<b>ZW215FP SERIES – FIRE PUMP SUCTION CONTROL VALVE</b>	<b>78</b>
		<b>AUTOMATIC CONTROL VALVE OPTIONS AND ACCESSORIES</b>	<b>79</b>

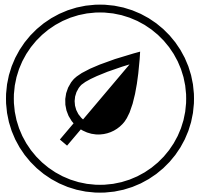
## TABLE OF CONTENTS BY PRODUCT CATEGORIES

<b>PRESSURE REDUCING VALVES</b>	<b>81</b>	<b>THERMOSTATIC MIXING VALVES</b>	<b>107</b>
20XL SERIES – PRESSURE REDUCING VALVE	82	ZW1017XL – AQUA-GARD® THERMOSTATIC MIXING VALVE (ASSE 1017 POINT OF SOURCE)	108
NR3XL SERIES – PRESSURE REDUCING VALVE	83	ZW1017XLHT – AQUA-GARD® THERMOSTATIC MIXING VALVE (ASSE 1017 POINT OF SOURCE)	109
70XL SERIES – PRESSURE REDUCING VALVE	84	ZW1070XL – AQUA-GARD® THERMOSTATIC MIXING VALVE (ASSE 1070 POINT OF USE)	110
500XL3 SERIES – PRESSURE REDUCING VALVE	85	ZW3870XL – THERMOSTATIC MIXING VALVE (ASSE 1070 POINT OF USE)	111
500XL SERIES – PRESSURE REDUCING VALVE	86	<b>THERMOSTATIC MIXING VALVES ACCESSORIES</b>	112
500XLYSBR SERIES – PRESSURE REDUCING VALVE	86	TPKXL SERIES – TAILPIECE KITS	112
510XL SERIES – OPTION FOR 500XL	86	<b>RELIEF VALVES</b>	<b>113</b>
500XLFC SERIES – PRESSURE REDUCING VALVE	87	TP1100A SERIES – RESIDENTIAL TEMPERATURE AND PRESSURE VALVE	114
510XLFC SERIES – OPTION FOR 500XLFC	87	TP220 SERIES – COMMERCIAL TEMPERATURE AND PRESSURE VALVE	114
600XL3 SERIES – PRESSURE REDUCING VALVE	88	TP3000 SERIES – COMMERCIAL TEMPERATURE AND PRESSURE VALVE	115
625XL3 SERIES – OPTION FOR 600XL3	88	P1000AXL SERIES – PRESSURE RELIEF VALVE	116
600XL SERIES – PRESSURE REDUCING VALVE	89	P1500XL SERIES – CALIBRATED PRESSURE RELIEF VALVE	116
610XL SERIES – OPTION FOR 600XL	89	P1520XL/1550XL SERIES – THERMAL EXPANSION PRESSURE RELIEF VALVE	117
625XL SERIES – OPTION FOR 600XL	89	HBRV – HOSE BIBB RELIEF VALVE	117
<b>WATER PRESSURE REDUCING VALVE ACCESSORIES</b>	90	<b>MISCELLANEOUS PLUMBING PRODUCTS</b>	<b>119</b>
TPKXL SERIES – TAILPIECE KITS	90	ZCSM-RP – CONNECTED REMOTE PRESSURE MONITOR	120
25 SERIES – PRESSURE GAUGES	91	<b>GATEWAY</b>	120
<b>FIRE PROTECTION VALVES</b>	<b>93</b>	XT SERIES – POTABLE WATER EXPANSION TANK	121
ZW5000 SERIES – PRESSURE-TRU® FIRE HOSE VALVES	94	WXTP SERIES – POTABLE WATER EXPANSION TANK	121
ZW5004 SERIES – PRESSURE-TRU® FIRE FLOOR CONTROL VALVES	94	WTTA SERIES – ASME THERMAL EXPANSION TANK	122
Z3004 SERIES – PRESSURE-TRU® FIRE FLOOR CONTROL VALVES	95	HXT SERIES – HYDRONIC EXPANSION TANK	122
ZW4004 SERIES – PRESSURE-TRU® FIRE FLOOR CONTROL VALVES	95	BVECXL SERIES – WATER HEATER SHUT-OFF VALVE WITH INTEGRAL THERMAL EXPANSION RELIEF VALVE	123
ZW4000 SERIES – PRESSURE-TRU® FIRE HOSE VALVES	96	1260XL SERIES – WATER HAMMER ARRESTERS	124
Z3000/Z3005 SERIES – PRESSURE-TRU® FIRE HOSE VALVES	96	25 SERIES – PRESSURE GAUGE	124
ZW4104 SERIES – PRESSURE-TRU® FIRE FLOOR CONTROL VALVES	97	VR10XL SERIES – VACUUM RELIEF VALVE	125
ZW4100 SERIES – PRESSURE-TRU® FIRE HOSE VALVES	97	DUXL/DUXLC SERIES – DIELECTRIC UNIONS	126
F100/F100G SERIES – FIRE HOSE VALVES	98	<b>REPAIR KITS</b>	<b>127</b>
F49BR/F49BRG SERIES – POWERBALL BUTTERFLY VALVES	98	LARGE DIAMETER BACKFLOW PREVENTER REPAIR KITS	128
F49 SERIES – FIRE BUTTERFLY VALVES	99	350/450 REPAIR KITS	128
F210R SERIES – RISER CHECKS	99	375/475 REPAIR KITS	128
P4000A – PRESSURE RELIEF VALVES	100	FIRST CHECK ASSEMBLY	128
<b>COUPLINGS AND FITTINGS</b>	101	SECOND CHECK ASSEMBLY	128
FP23 SERIES - COUPLINGS – SINGLE BOLT (EZI), RIGID (R), FLEX (F), REDUCING	101	950/975 REPAIR KITS	129
FP52 SERIES - ELBOWS – 90° STANDARD RADIUS, 90° SHORT RADIUS (S), 45° STANDARD RADIUS (-45), 22.5° STANDARD RADIUS (-22), 11.25° STANDARD RADIUS (-11), END OF RUN ADAPTER (GTF)	102	BY-PASS VALVES FOR DETECTOR ASSEMBLIES REPAIR KITS	129
FP53 SERIES - TEES – STANDARD RADIUS, SHORT RADIUS (S), REDUCING BRANCH	103	CHECK SEAT RETAINER	129
FP56 SERIES - CROSSES	103	DOUBLE CHECK DETECTOR ASSEMBLY BYPASS REPLACEMENT KIT	129
FP3 SERIES - CAPS	103	RP DETECTOR ASSEMBLY BYPASS REPLACEMENT KIT	129
FP63 SERIES - MECHANICAL TEES – GROOVED (G), THREADED (TF), U-BOLT (LTF)	104	SMALL DIAMETER BACKFLOW PREVENTER REPAIR KITS	130
FP8 SERIES - GROOVED FLANGES	105	350XL/350 REPAIR KITS	130
FP51 SERIES - GROOVED REDUCERS	105	375XL/375 REPAIR KITS	130
		950XLT2/950XLT/950XL/950 REPAIR KITS	130
		975XL2/975XL/975 REPAIR KITS	130
		PRESSURE VACUUM BREAKER REPAIR KITS	131
		420XL/420 REPAIR KITS	131
		460XL/460 REPAIR KITS	131
		720A REPAIR KITS	131

## TABLE OF CONTENTS BY PRODUCT CATEGORIES

ATMOSPHERIC VACUUM BREAKER REPAIR KIT	131	RK-975TOOL – COMPLETE SET OF 950XL/975XL SEAT REMOVAL TOOLS	133
DUAL CHECK ASSEMBLY REPAIR KITS	131	RK-BVTOOL – BALL VALVE HANDLE SOCKETS 3/4", 1", 1-1/4", 1-1/2", AND 2"	133
AUTOMATIC CONTROL VALVE REPAIR KITS	131	RPHBM REPAIR KITS	133
PRESSURE REDUCING VALVE REPAIR KITS	132	FIRE VALVE REPAIR KITS	133
MISCELLANEOUS PARTS AND REPAIR KITS	132	<b>INDEX</b>	<b>135</b>
QT/QTP – QUICK TEST BACKFLOW TEST FITTINGS	132	<b>TABLE OF CONTENTS IN ALPHABETICAL ORDER</b>	<b>136</b>
BVHD – BLUE STAINLESS STEEL BALL VALVE HANDLES WITH STAINLESS STEEL NUT	132		
BVHDXL – GREEN STAINLESS STEEL BALL VALVE HANDLES WITH STAINLESS STEEL NUT	132		
860XL – LEAD FREE TEST COCKS (SET)	132		
860XLFT – LEAD FREE FAST-TEST COCKS WITH INTEGRAL SAE FITTINGS (SET)	132		
860XL SERIES – BALL VALVE TEST COCKS (EACH)	133		

## LEAD FREE



### XL LEAD FREE

On January 4th, 2014, changes to the Safe Drinking Water Act went into effect which mandate that all commercial plumbing fixtures, valves, pipes, and fittings that are directly intended for human water consumption are required to be manufactured with less than .25% leaded brass content.

The majority of Zurn Wilkins plumbing products fall within this category and as such have been changed to "lead-free" meaning they are compliant. Exceptions exist for product used in non-potable applications such as fire protection and irrigation, and therefore these products have not been converted. For purposes of this catalog, such products are referred to as "lead-free exempt". Finally, there are Zurn Wilkins products which may fall into either category based on the final application in which they are used. In such instances you will notice pricing for both "lead-free" and "lead-free exempt" part numbers.

# BACKFLOW PREVENTERS

Zurn Wilkins backflow products offer the greatest value of any backflow preventer on the market. Zurn Wilkins offers a variety of configurations to meet your needs, as well as reliable proven designs with an emphasis on maintenance, repair, and total cost of ownership.

Use this catalog to help guide you to your specific product needs, then follow up by visiting [www.zurn.com](http://www.zurn.com) or contact a Zurn Wilkins customer care representative for more information.

<b>300 SERIES PRODUCT DECODER</b>	<b>8</b>	<b>375W1/375AW1/375ASTW1 SERIES AND W1 RETROFIT KIT</b> – CONNECTED BACKFLOW W/ WIRELESS MONITOR (2-1/2" - 10")	<b>36</b>
<b>350XL/350 SERIES</b> – DOUBLE CHECK VALVE ASSEMBLY	<b>9</b>	<b>FCIS SERIES</b> – CONNECTED FLOOD CONTROL SYSTEM (2-1/2" - 10") / FLOOD CONTROL INTEGRATED SYSTEM (1-1/4" - 2")	<b>37</b>
<b>950XLT2/950XLT SERIES</b> – TOP ACCESS DOUBLE CHECK VALVE ASSEMBLY	<b>10</b>	<b>ZCSM-PF AND ZCSM-BTM</b> – CONNECTED PRESSURE MONITOR (ZCSM-PF) WITH OPTIONAL CONNECTED FLOW METER (ZCSM-BTM)	<b>38</b>
<b>950XL SERIES</b> – DOUBLE CHECK VALVE ASSEMBLY	<b>11</b>	<b>975XLHBM SERIES</b> – HYDRANT BACKFLOW AND METER VALVE	<b>39</b>
<b>350AST SERIES</b> – DOUBLE CHECK VALVE ASSEMBLY WITH STAINLESS STEEL BODY	<b>11</b>	<b>RPHBM SERIES</b> – HIGH CAPACITY HYDRANT BACKFLOW AND METER COMBINATION	<b>39</b>
<b>950XL3 SERIES</b> – DOUBLE CHECK VALVE ASSEMBLY	<b>12</b>	<b>375ASTDA SERIES</b> – REDUCED PRESSURE PRINCIPLE DETECTOR ASSEMBLY WITH STAINLESS STEEL BODY	<b>40</b>
<b>350A/350 SERIES</b> – DOUBLE CHECK VALVE ASSEMBLY	<b>14</b>	<b>375ADA/375DA SERIES</b> – REDUCED PRESSURE PRINCIPLE DETECTOR ASSEMBLY	<b>42</b>
<b>450ST SERIES</b> – DOUBLE CHECK VALVE ASSEMBLY WITH STAINLESS STEEL BODY	<b>16</b>	<b>475STDA/475STDAV SERIES</b> – REDUCED PRESSURE PRINCIPLE DETECTOR ASSEMBLY WITH STAINLESS STEEL BODY	<b>44</b>
<b>450 SERIES</b> – DOUBLE CHECK VALVE ASSEMBLY	<b>17</b>	<b>475DA/475DAV SERIES</b> – REDUCED PRESSURE PRINCIPLE DETECTOR ASSEMBLY	<b>45</b>
<b>950XLTD SERIES</b> – DOUBLE CHECK DETECTOR ASSEMBLY	<b>18</b>	<b>310/310DA SERIES</b> – SINGLE CHECK VALVE ASSEMBLY	<b>46</b>
<b>350ASTDA SERIES</b> – DOUBLE CHECK DETECTOR ASSEMBLY WITH STAINLESS STEEL BODY	<b>19</b>	<b>420XL SERIES</b> – PRESSURE VACUUM BREAKER	<b>47</b>
<b>350ADA/350DA SERIES</b> – DOUBLE CHECK DETECTOR ASSEMBLY	<b>20</b>	<b>460XL SERIES</b> – SPILL RESISTANT PRESSURE VACUUM BREAKER	<b>47</b>
<b>450STDA SERIES</b> – DOUBLE CHECK DETECTOR ASSEMBLY WITH STAINLESS STEEL BODY	<b>22</b>	<b>710 SERIES</b> – PRESSURE VACUUM BREAKER	<b>48</b>
<b>450DA SERIES</b> – DOUBLE CHECK DETECTOR ASSEMBLY	<b>23</b>	<b>720A SERIES</b> – PRESSURE VACUUM BREAKER	<b>49</b>
<b>375XL/375 SERIES</b> – REDUCED PRESSURE PRINCIPLE ASSEMBLY	<b>24</b>	<b>700XL SERIES</b> – DUAL CHECK VALVE	<b>50</b>
<b>375XLB SERIES</b> – THEFT PREVENTION REDUCED PRESSURE PRINCIPLE ASSEMBLY	<b>25</b>	<b>705 SERIES</b> – DUAL CHECK VALVE	<b>51</b>
<b>375ST SERIES</b> – STAINLESS STEEL REDUCED PRESSURE PRINCIPLE ASSEMBLY	<b>25</b>	<b>730/735 SERIES</b> – LABORATORY FAUCET VACUUM BREAKER	<b>51</b>
<b>975XL2/975XL SERIES</b> – REDUCED PRESSURE PRINCIPLE ASSEMBLY	<b>26</b>	<b>740 SERIES</b> – BACKFLOW PREVENTER FOR VENDING MACHINE WATER SUPPLY	<b>52</b>
<b>975XL3 SERIES</b> – REDUCED PRESSURE PRINCIPLE ASSEMBLY	<b>28</b>	<b>760 SERIES</b> – DUAL CHECK WITH ATMOSPHERIC VENT	<b>52</b>
<b>375AST SERIES</b> – REDUCED PRESSURE PRINCIPLE ASSEMBLY WITH STAINLESS STEEL BODY	<b>29</b>	<b>40XL2 SERIES</b> – IN-LINE SINGLE CHECK VALVE	<b>53</b>
<b>375A/375 SERIES</b> – REDUCED PRESSURE PRINCIPLE ASSEMBLY	<b>30</b>	<b>35XL SERIES</b> – ATMOSPHERIC VACUUM BREAKER	<b>53</b>
<b>475ST/475STV SERIES</b> – REDUCED PRESSURE PRINCIPLE ASSEMBLY WITH STAINLESS STEEL BODY	<b>32</b>	<b>BFP-9 &amp; BFP-8F SERIES</b> – HOSE CONNECTION VACUUM BREAKER	<b>54</b>
<b>475/475V SERIES</b> – REDUCED PRESSURE PRINCIPLE ASSEMBLY	<b>34</b>		



# 300 SERIES PRODUCT DECODER

**212 - 375 AST DA R MS B G FSC -AG**

Code	Description
<b>PLUMBING PIPE SIZE</b>	
212	2-1/2"
3	3"
4	4"
6	6"
8	8"
10	10"
<b>BASE PART NUMBER</b>	
350	Double Check Assembly
375	Reduced Pressure Principle Assembly
<b>BACKFLOW BODY STYLE</b>	
A	Grooved Body, Ductile Iron Body
AST	Grooved Body, Stainless Steel Body
<b>DETECTOR ASSEMBLY</b>	
	Standard Assembly
DA	Detector Assembly
<b>REPLACEMENT SERIES</b>	
	Standard Assembly
R	Custom Length Assembly Replacement
<b>MONITOR SWITCH</b>	
	Standard Assembly
MS	with Integral Relief Valve Monitor Switch
<b>SHUT-OFF VALVES</b>	
	NRS Gate Valves
OSY	OS&Y Gate Valves
PI	Post Indicator Valves
B	Butterfly Valves
<b>END CONNECTIONS</b>	
F	Flange x Flange User Connections
FG	Flange x Groove User Connections
G	Groove x Groove User Connections
GF	Groove x Flange User Connections
<b>BACKFLOW ACCESSORIES</b>	
FSC	with Epoxy Coated Wye Type Strainer (Flanged Only)
-AG	Air Gap

## 350XL/350 SERIES – DOUBLE CHECK VALVE ASSEMBLY



### APPLICATIONS

The 350XL and 350 provide low health hazard backflow protection while embodying state-of-the-art materials in a easily maintained design. Used in all market segments.

### FEATURES

- 3/4" - 2"
- 175 psi max
- 180°F max
- Short lay length – fits in smaller valve box
- Top access to test cocks and shutoff valves and check assembly – easy to test
- Entire pressure vessel is removable to facilitate check access for cleaning or repair
- Stainless steel ball valve handles and nuts standard

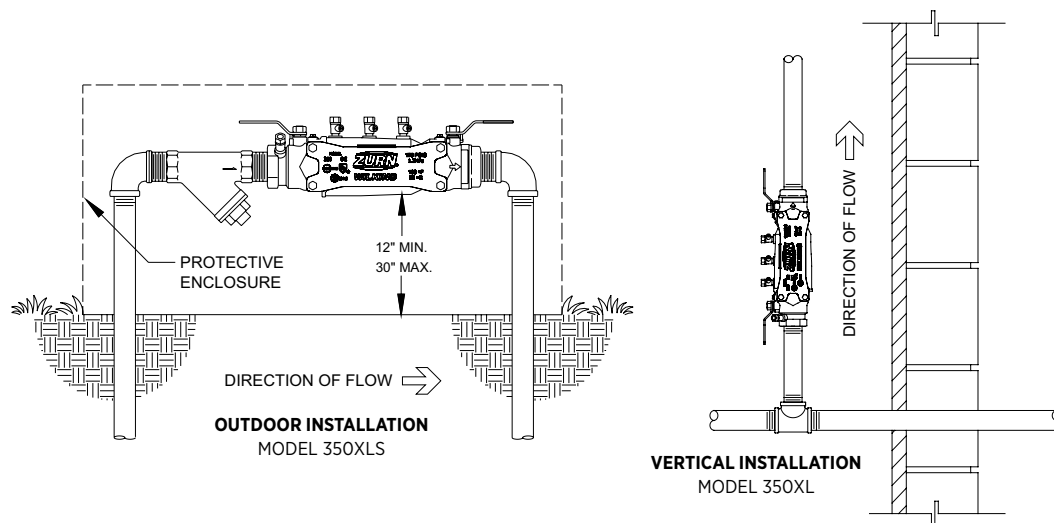
### APPROVALS AND APPLICABLE STANDARDS

- Approved by the Foundation for Cross-Connection Control and Hydraulic Research at the University of Southern California
- ASSE® Listed 1015 (horizontal/vertical), cUPC® Listed, CSA® Certified, UL® Classified, C-UL®, and AWWA Compliant
- 350XL is certified to NSF/ANSI 61 and 372

### ACCESSORIES

- Bronze wye strainer (Model SXL)
- Thermal expansion tank (Model XT)
- Quick test set (QT-SET)
- Winterizing blow out flush fitting (RK34-350FLUSH, RK1-350FLUSH, or RK114-350-375FLUSH)
- Repair kits

### TYPICAL INSTALLATION



SIZE	LEAD-FREE PART NUMBER	LEAD-FREE EXEMPT PART NUMBER
<b>350XL/350: FNPT X FNPT</b>		
3/4"	34-350XL	34-350
1"	1-350XL	1-350
1-1/4"	114-350XL	114-350
1-1/2"	112-350XL	112-350
2"	2-350XL	2-350
<b>350XL/350L: MNPT X MNPT, LESS SHUT-OFF VALVES</b>		
3/4"	34-350LXL	34-350L
1"	1-350LXL	1-350L
<b>VALVE FOR BY-PASS ASSEMBLY FOR 950XLTA SERIES</b>		
3/4"	34-350D	-
<b>OPTIONS AND LIST PRICE ADDERS (ADD OPTION TO LIST PRICE TO DETERMINE TOTAL LIST PRICE)</b>		
<b>FAST-TEST TEST COCKS (FT) OPTION (E.G. 2-350XLFT), 3/4" AND 1" USC APPROVED</b>		
3/4" - 2"	FT Suffix	-
<b>LEAD-FREE BRONZE WYE STRAINER (S) OPTION WITH NIPPLE (E.G. 2-350XLS)</b>		
3/4" - 2"	S Suffix	-
<b>STREET ELBOWS (SE) OPTION, FNPT X FNPT (E.G. 34-350XLSE)</b>		
3/4" - 1"	SE Suffix	-

# 950XLT2/950XLT SERIES – TOP ACCESS DOUBLE CHECK VALVE ASSEMBLY



## APPLICATIONS

Top Access check valves and test cocks make this valve most suitable for low health hazard meter box applications that require easy access during testing and repair.

## FEATURES

- 3/4" - 2"
- 175 psi max
- 180°F max
- Complete with two full port resilient seated ball valves for shut-off and four resilient seated ball valve test cocks
- Both check valves and test cocks are designed at an inclined angle upward for easy access during repair, maintenance and testing
- Bronze body construction
- Stainless steel ball valve handles and nuts standard

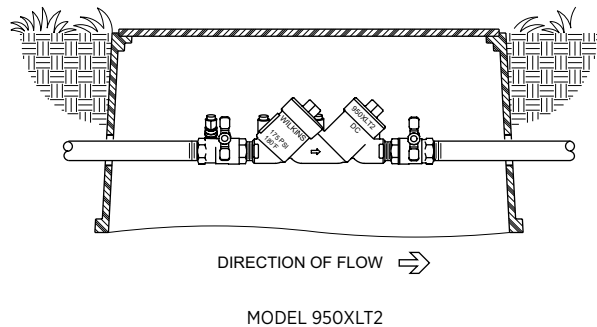
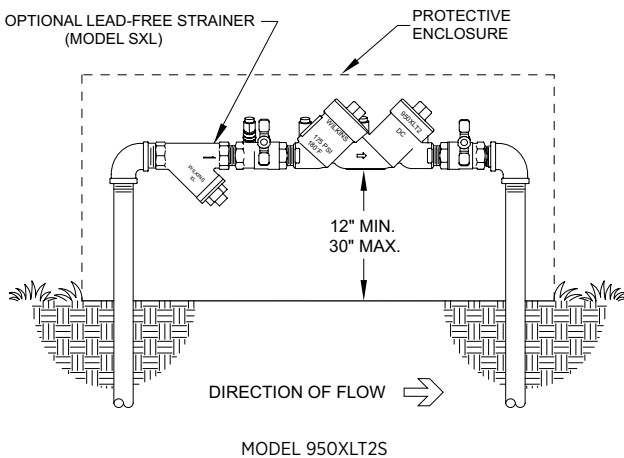
## APPROVALS AND APPLICABLE STANDARDS

- Approved by the Foundation for Cross-Connection Control and Hydraulic Research at the University of Southern California
- ASSE® Listed 1015, cUPC® Listed, CSA® Certified, UL® Classified, C-UL® Classified
- Model 950XLT2 is certified to NSF/ANSI 61 and 372

## ACCESSORIES

- Thermal expansion tank (Model XT)
- Bronze wye strainer (Model SXL)
- Quick test set (QT-SET)
- Ball valve monitor switch (Model BVMS)
- Repair Kit

## TYPICAL INSTALLATION



SIZE	LEAD-FREE PART NUMBER	LEAD-FREE EXEMPT PART NUMBER
<b>950XLT2/950XLT: FNPT X FNPT END CONNECTIONS</b>		
3/4"	34-950XLT2	34-950XLT
1"	1-950XLT2	1-950XLT
1-1/4"	114-950XLT2	114-950XLT
1-1/2"	112-950XLT2	112-950XLT
2"	2-950XLT2	2-950XLT
<b>950XLT2U: FNPT UNION X FNPT UNION</b>		
3/4"	34-950XLT2U	34-950XLTU
1"	1-950XLT2U	1-950XLTU
1-1/4"	114-950XLT2U	-
1-1/2"	112-950XLT2U	-
2"	2-950XLT2U	-
<b>950XLT2/950XLT: MNPT X MNPT, LESS SHUT-OFF VALVES</b>		
3/4"	34-950XLT2	34-950XLT
1"	1-950XLT2	1-950XLT
1-1/4"	114-950XLT2	114-950XLT
1-1/2"	112-950XLT2	112-950XLT
2"	2-950XLT2	2-950XLT
<b>950XLT2BFSS/950XLTBFSS: FNPT BF X FNPT BF, SUPERVISORY SWITCH (TAMPURED BUTTERFLY VALVES)</b>		
1-1/4"	114-950XLT2BFSS	114-950XLTBFSS
1-1/2"	112-950XLT2BFSS	112-950XLTBFSS
2"	2-950XLT2BFSS	2-950XLTBFSS
<b>OPTIONS AND LIST PRICE ADDERS</b> (ADD OPTION TO LIST PRICE TO DETERMINE TOTAL LIST PRICE)		
<b>FAST-TEST TEST COCKS (FT) OPTION (E.G. 34-950XLT2FT), 3/4" AND 1" USC APPROVED</b>		
3/4" - 2"	FT Suffix	-
<b>STRAINER (S) OPTION WITH NIPPLE (E.G. 2-950XLT2S)</b>		
3/4" - 2"	S Suffix	-

## 950XL SERIES – DOUBLE CHECK VALVE ASSEMBLY



### APPLICATIONS

The traditional wye pattern design Double Check that the irrigation and fire professional relies upon for superior backflow protection.

### FEATURES

- 3/4", 1", 1-1/2", 2"
- 175 psi max
- 180°F max
- Bronze body construction
- Noryl® replaceable seats and silicone rubber check discs
- Stainless steel ball valve handles and nuts standard

### APPROVALS AND APPLICABLE STANDARDS

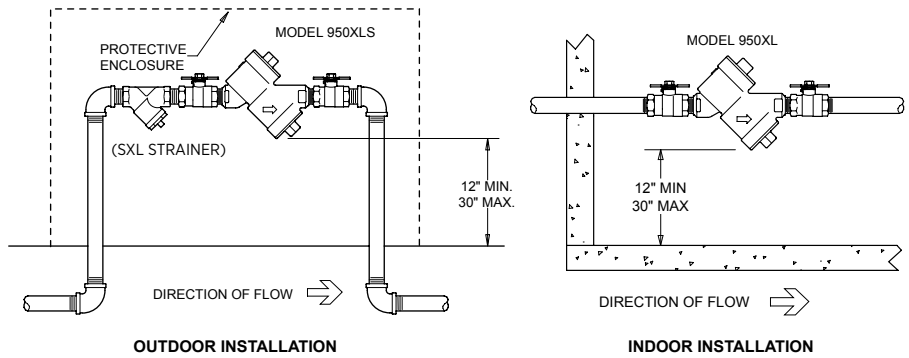
- Approved by the Foundation for Cross-Connection Control and Hydraulic Research at the University of Southern California
- ASSE® Listed 1015, cUPC® Listed, CSA® Certified, UL® Classified, C- UL® Classified, AWWA Compliant

### ACCESSORIES

- Quick test set (QT-SET)
- Ball valve monitor switch (Model BVMS)
- SXL strainer
- Repair kits

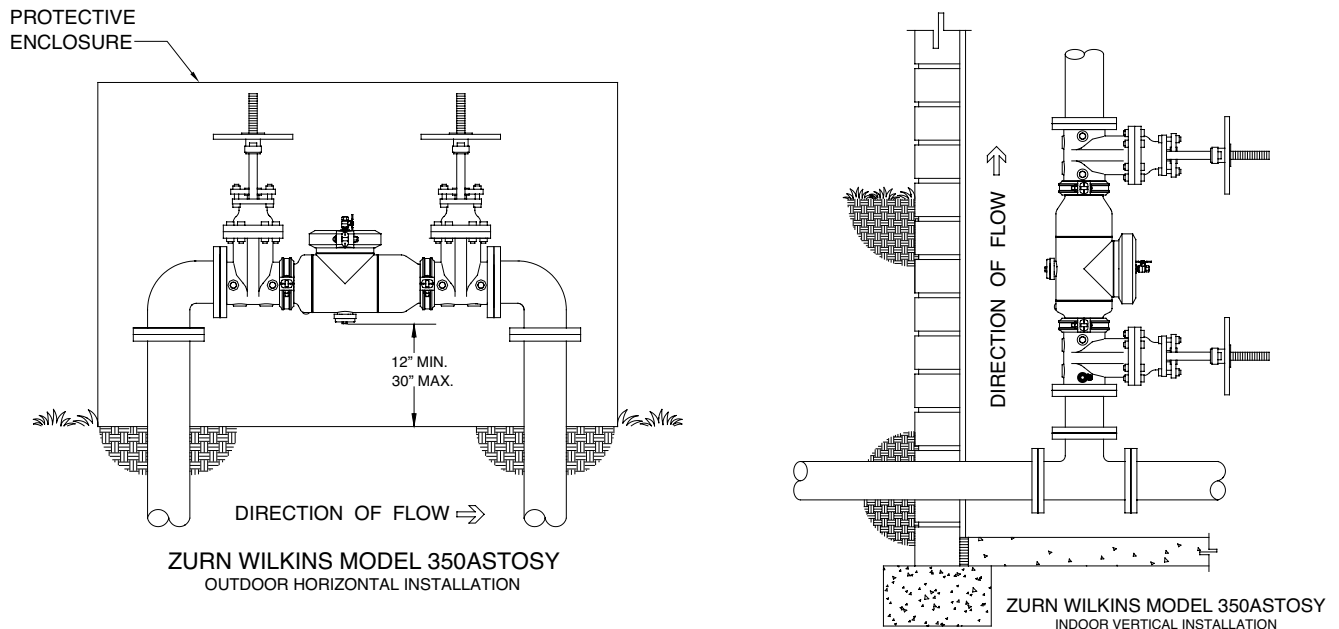
SIZE	LEAD-FREE PART NUMBER	LEAD-FREE EXEMPT PART NUMBER
<b>950XL: FNPT X FNPT END CONNECTIONS</b>		
3/4"	-	34-950XL
1"	-	1-950XL
1-1/2"	-	112-950XL
2"	-	2-950XL
<b>950XLD: LEAD-FREE, FNPT X FNPT END CONNECTIONS FOR BY-PASS ASSEMBLY FOR 350DA/350ADA/450DA SERIES</b>		
3/4"	34-950XLD	-

### TYPICAL INSTALLATION



## 350AST SERIES – DOUBLE CHECK VALVE ASSEMBLY WITH STAINLESS STEEL BODY

### TYPICAL INSTALLATION



For additional product information, please visit [www.zurn.com](http://www.zurn.com).

# 950XL3 SERIES – DOUBLE CHECK VALVE ASSEMBLY

**NEW**



## APPLICATIONS

Ideal for use where lead-free valves are required. Designed for installation on potable water lines to protect against both backsiphonage and backpressure of polluted water into the potable water supply. Assembly shall provide protection where a potential non-health hazard exists.

## FEATURES

- 3/4" - 2"
- 175 psi max
- 180°F max
- Compact and shortest bronze small backflow valve on the market allowing for installation versatility
- All-bronze body ensures durability against the elements, with a Noryl<sup>®</sup> check body and stainless-steel fasteners to resist corrosion over time
- EZSwap<sup>®</sup> modular check with top access speeds up repairs and replacements
- Test ports located on valve's centerline make install and testing easy
- Checks have a twist lock connection for easy access and disassembly

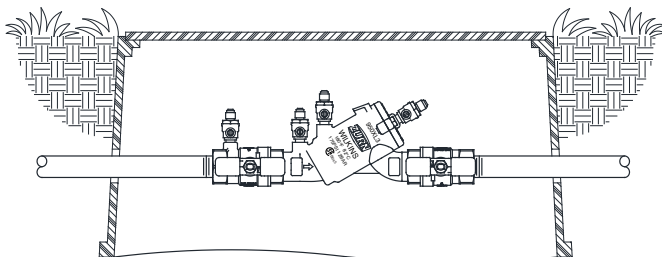
## APPROVALS AND APPLICABLE STANDARDS

- ASSE<sup>®</sup> Listed 1015
- cUPC<sup>®</sup> Listed
- AWWA Compliant C510
- Meets the requirements of NSF/ANSI/CAN 61 and 372
- Approved by the Foundation for Cross-Connection Control and Hydraulic Research at the University of Southern California
- CSA<sup>®</sup> Certified B64.4

## ACCESSORIES

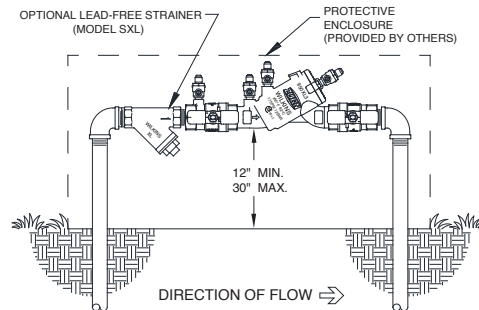
- Repair kits (see repair kit guide for full list)
- Thermal expansion tank (Model XT)
- QT-SET Quick Test Fitting Set (1-1/4" - 2")
- Flush fitting/blow out kit (3/4" RK34-900XL3WF, 1" RK1-900XL3WF, 1-1/4" & 1-1/2" RK114-900XL3WF, 2" RK2-900XL3WF)

## TYPICAL INSTALLATION



DIRECTION OF FLOW →

**TYPICAL INSTALLATION**



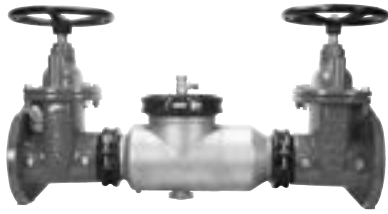
**OUTDOOR INSTALLATION**

SIZE	LEAD-FREE PART NUMBER
<b>950XL3: FNPT X FNPT END CONNECTIONS</b>	
3/4"	34-950XL3
1"	1-950XL3
1-1/4"	114-950XL3
1-1/2"	112-950XL3
2"	2-950XL3
<b>950XL3U: FNPT X FNPT END CONNECTIONS WITH UNION BALL VALVES</b>	
3/4"	34-950XL3U
1"	1-950XL3U
1-1/4"	114-950XL3U
1-1/2"	112-950XL3U
2"	2-950XL3U
<b>OPTIONS AND LIST PRICE ADDERS (ADD OPTION TO LIST PRICE TO DETERMINE TOTAL LIST PRICE)</b>	
<b>FAST-TEST TEST COCKS (FT) OPTION, CONTACT FACTORY FOR APPROVALS</b>	
1-1/4" - 2"	FT Suffix
<b>STRAINER (S) OPTION WITH NIPPLE (E.G. 2-950XL3S)</b>	
3/4"	S Suffix
1"	S Suffix
1-1/4"	S Suffix
1-1/2"	S Suffix
2"	S Suffix
<b>950XL3BFSS: FNPT BF X FNPT BF, SUPERVISORY SWITCH (TAMPED BUTTERFLY VALVES)</b>	
1-1/4"	114-950XL3BFSS
1-1/2"	112-950XL3BFSS
2"	2-950XL3BFSS

\*Noryl<sup>®</sup> is a registered trademark of SABIC Global Technologies B.V.

For additional product information, please visit [www.zurn.com](http://www.zurn.com).

## 350AST SERIES – DOUBLE CHECK VALVE ASSEMBLY WITH STAINLESS STEEL BODY



### APPLICATIONS

The 350AST combines the features you expect from a Zurn Wilkins Double Check, in a corrosion resistant, stainless steel body for any low health hazard application in all market segments.

### FEATURES

- 2-1/2" - 10" [grooved body]
- 175 psi max
- 140°F max
- Grooved or flanged end connections
- Improved Compound Check design
- Short lay-length for small space installation
- Lower maintenance costs from corrosion resistance of stainless body

### APPROVALS AND APPLICABLE STANDARDS

- Approved by the Foundation for Cross Connection Control and Hydraulic Research at the University of Southern California
- ASSE® Listed 1015, AWWA Compliant C510 (with gates only), and C550, UL® Classified, C-UL® Classified, FM® Approved, CSA® Certified, cUPC® Listed
- Certified to NSF/ANSI 61 and 372

### ACCESSORIES

- Thermal expansion tank (Model XT)
- OS&Y Gate valve tamper switch (OSY-40)
- Model FSC wye strainer (non fire applications)
- Repair kits

### TYPICAL INSTALLATION

See previous page

SIZE	LEAD-FREE PART NUMBER
<b>350AST (GROOVED BODY): FLANGED NRS X FLANGED NRS</b>	
2-1/2"	212-350AST
3"	3-350AST
4"	4-350AST
6"	6-350AST
8"	8-350AST
10"	10-350AST

*For grooved options, part number will be designated using "GF", "FG" or "G" (e.g. 212-350ASTFG, 4-350ASTGF, 10-350ASTG).*

SIZE	LEAD-FREE PART NUMBER
<b>350ASTOSY (GROOVED BODY): FLANGED OSY X FLANGED OSY</b>	
2-1/2"	212-350ASTOSY
3"	3-350ASTOSY
4"	4-350ASTOSY
6"	6-350ASTOSY
8"	8-350ASTOSY
10"	10-350ASTOSY

*For grooved options, part number will be designated using "GF", "FG" or "G" (e.g. 212-350ASTOSYFG, 4-350ASTOSYGF, 10-350ASTOSYG).*

SIZE	LEAD-FREE PART NUMBER
<b>350ASTBG (GROOVED BODY): GROOVED BG X GROOVED BG (TAMPED BUTTERFLY VALVES)</b>	
2-1/2"	212-350ASTBG
3"	3-350ASTBG
4"	4-350ASTBG
6"	6-350ASTBG
8"	8-350ASTBG
10"	10-350ASTBG

SIZE	LEAD-FREE PART NUMBER
<b>350ASTBF (GROOVED BODY): FLANGED BF X FLANGED BF (TAMPED BUTTERFLY VALVES)</b>	
2-1/2"	212-350ASTBF
3"	3-350ASTBF
4"	4-350ASTBF
6"	6-350ASTBF
8"	8-350ASTBF
10"	10-350ASTBF

SIZE	LEAD-FREE PART NUMBER
<b>350ASTBFG (GROOVED BODY): FLANGED BF X GROOVED BG (TAMPED BUTTERFLY VALVES)</b>	
2-1/2"	212-350ASTBFG
3"	3-350ASTBFG
4"	4-350ASTBFG
6"	6-350ASTBFG
8"	8-350ASTBFG
10"	10-350ASTBFG

SIZE	LEAD-FREE PART NUMBER
<b>350ASTOSYPI (GROOVED BODY): OSY &amp; PI GATE VALVES</b>	
2-1/2"-10"	OSY & PI GATE VALVES

*For grooved options, part number will be designated using "GF", "FG" or "G" (e.g. 212-350ASTPIOSYFG, 4-350ASTOSYPIGF, 10-350ASTOSYPIG).*

### OPTIONS AND LIST PRICE ADDERS (ADD OPTION TO LIST PRICE TO DETERMINE TOTAL LIST PRICE)

#### FSC STRAINER (FSC) OPTION WITH BOLT KIT, FLANGED X FLANGED CONNECTION

##### SIZE

2-1/2" - 10" FSC Suffix

*Part number will be designated using "FSC" (e.g. 212-350ASTFSC, 4-350ASTOSYFSC, 10-350ASTOSYPIFSC).*

#### 300AR SERIES - REPLACEMENT BACKFLOW ASSEMBLY (2-1/2" - 10")

Custom length Double Check Valve Assembly for drop in replacements. Stainless steel grooved x grooved spool installed between the backflow valve and the outlet shut-off valve. Can be used with 350 Series and 375 Series grooved body models. For replacement of longer lay-length backflow preventers.

350ASTR list price adder to be added to list price of the 350AST to determine total list price.

See order form and product specification sheet on the website for details and options.

SIZE	INLET X OUTLET CONNECTIONS / OPTIONS
2-1/2"	Length Range: Up to 47-1/8"
3"	Length Range: Up to 48-1/8"
4"	Length Range: Up to 62-1/4"
6"	Length Range: Up to 71-1/4"
8"	Length Range: Up to 86"
10"	Length Range: Up to 100-5/8"

*Part number will be designated using "350ASTR-A".*

## 350A/350 SERIES – DOUBLE CHECK VALVE ASSEMBLY



### APPLICATIONS

Traditional ductile iron bodies and grooved or flanged shut-off valve attachment define the Zurn Wilkins 350 series Double Check Valve Assemblies. Used in low health hazard applications and all market segments.

### FEATURES

- 350A: 2-1/2" - 10" [grooved body]
- 350: 2-1/2" - 12" [flanged body]
- 175 psi max
- 140°F max
- Epoxy coated ductile iron body
- No threads or taps in body or cover, eliminating exposure to corrosion

### APPROVALS AND APPLICABLE STANDARDS

- Approved by the Foundation for Cross-Connection Control and Hydraulic Research at the University of Southern California (horizontal/vertical) (2-1/2" - 10", 12" Horizontal)
- ASSE® Listed 1015 (horizontal/vertical), AWWA Listed (horizontal/vertical), cUPC® Listed (horizontal/vertical)
- CSA® Certified (horizontal/vertical), C-UL® Classified (horizontal/vertical), UL® Classified (horizontal/vertical), FM® Approved (horizontal/vertical) (2-1/2" - 10")
- 12" UL Classified (horizontal)
- Certified to NSF/ANSI 61 and 372

### ACCESSORIES

- Repair kits
- Thermal expansion tank (Model XT)
- OS&Y Gate valve tamper switch (OSY-40)
- Model FSC wye strainer (non fire applications)

SIZE	LEAD-FREE PART NUMBER
<b>350A (GROOVED BODY): FLANGED NRS X FLANGED NRS</b>	
2-1/2"	212-350A
3"	3-350A
4"	4-350A
6"	6-350A
8"	8-350A
10"	10-350A

For grooved options, part number will be designated using "GF", "FG" or "G" (e.g. 212-350AFG, 4-350AGF, 10-350AG).

SIZE	LEAD-FREE PART NUMBER
<b>350AOSY (GROOVED BODY): FLANGED OSY X FLANGED OSY</b>	
2-1/2"	212-350AOSY
3"	3-350AOSY
4"	4-350AOSY
6"	6-350AOSY
8"	8-350AOSY
10"	10-350AOSY

For grooved options, part number will be designated using "GF", "FG" or "G" (e.g. 212-350AOSYFG, 4-350AOSYGF, 10-350AOSYFG).

SIZE	LEAD-FREE PART NUMBER
<b>350ABG (GROOVED BODY): GROOVED BG X GROOVED BG (TAMPURED BUTTERFLY VALVES)</b>	
2-1/2"	212-350ABG
3"	3-350ABG
4"	4-350ABG
6"	6-350ABG
8"	8-350ABG
10"	10-350ABG

#### 350ABF (GROOVED BODY): FLANGED BF X FLANGED BF (TAMPURED BUTTERFLY VALVES)

2-1/2"	212-350ABF
3"	3-350ABF
4"	4-350ABF
6"	6-350ABF
8"	8-350ABF
10"	10-350ABF

#### 350ABFG (GROOVED BODY): FLANGED BF X GROOVED BG (TAMPURED BUTTERFLY VALVES)

2-1/2"	212-350ABFG
3"	3-350ABFG
4"	4-350ABFG
6"	6-350ABFG
8"	8-350ABFG
10"	10-350ABFG

#### 350AL (GROOVED BODY): LESS GATE VALVES

2-1/2"	212-350AL
3"	3-350AL
4"	4-350AL
6"	6-350AL
8"	8-350AL
10"	10-350AL

Part number will be designated using "L" (e.g. 4-350AL, 6-350AL, 10-350AL).

SIZE	LEAD-FREE PART NUMBER
<b>350 (FLANGED BODY): FLANGED NRS X FLANGED NRS</b>	
2-1/2"	212-350
3"	3-350
4"	4-350
6"	6-350
8"	8-350
10"	10-350
12"	12IN-350

For grooved options, part number will be designated using "GF", "FG" or "G" (e.g. 212-350FG, 4-350GF, 10-350G).

SIZE	LEAD-FREE PART NUMBER
<b>350OSY (FLANGED BODY): FLANGED OSY X FLANGED OSY</b>	
2-1/2"	212-350OSY
3"	3-350OSY
4"	4-350OSY
6"	6-350OSY
8"	8-350OSY
10"	10-350OSY
12"	12IN-350OSY

For grooved options, part number will be designated using "GF", "FG" or "G" (e.g. 212-350OSYFG, 4-350OSYGF, 10-350OSYFG).

#### 350OSYPI (FLANGED BODY): FLANGED OSY X FLANGED PI 2-1/2" - 12" OSY & PI GATE VALVES

For grooved options, part number will be designated using "GF", "FG" or "G" (e.g. 212-350PIOSYFG, 4-350OSYPIGF, 10-350OSYPIG).

# 350A/350 SERIES – DOUBLE CHECK VALVE ASSEMBLY (CONTINUED)

**OPTIONS AND LIST PRICE ADDERS**  
(ADD OPTION TO LIST PRICE TO DETERMINE TOTAL LIST PRICE)

**SIZE**

**FSC STRAINER (FSC) OPTION WITH BOLT KIT, FLANGED X FLANGED CONNECTION**

2-1/2" - 12" FSC Suffix

Part number will be designated using "FSC" (e.g. 212-350FSC, 4-350OSYFSC, 10-350OSYPIFSC). Lead Law Compliant.

**300AR SERIES - REPLACEMENT BACKFLOW ASSEMBLY (2-1/2" - 10")**

Custom length Double Check Valve Assembly for drop in replacements. Stainless steel grooved x grooved spool installed between the backflow valve and the outlet shut-off valve. Can be used with 350 Series and 375 Series grooved body models. For replacement of longer lay-length backflow preventers.

350AR list price adder to be added to list price of the 350A to determine total list price.

See order form and product specification sheet on the website for details and options.

**SIZE**                      **INLET X OUTLET CONNECTIONS / OPTIONS**

2-1/2"                      Length Range: Up to 47-1/8"

3"                              Length Range: Up to 48-1/8"

4"                              Length Range: Up to 62-1/4"

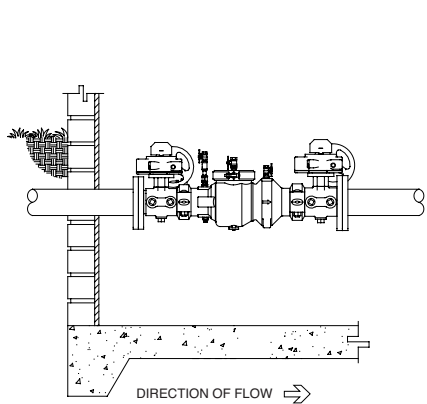
6"                              Length Range: Up to 71-1/4"

8"                              Length Range: Up to 86"

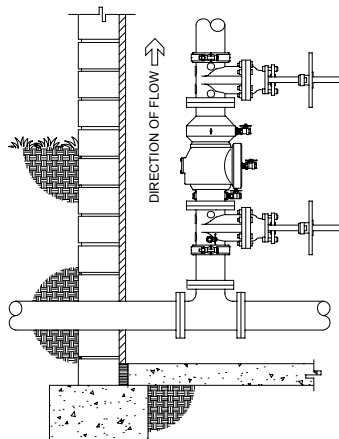
10"                             Length Range: Up to 100-5/8"

Part number will be designated using "350ASTR-A".

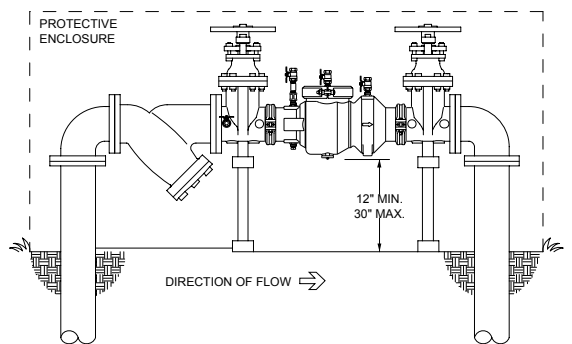
## TYPICAL INSTALLATION



**INDOOR INSTALLATION**  
MODEL 350ABF



**INDOOR INSTALLATION (VERT.)**  
MODEL 350OSYG



**OUTDOOR INSTALLATION**  
MODEL 350AFSC



## 450ST SERIES – DOUBLE CHECK VALVE ASSEMBLY WITH STAINLESS STEEL BODY



SIZE	LEAD-FREE PART NUMBER
<b>450ST: FLANGED NRS X FLANGED NRS</b>	

4"	4-450ST
6"	6-450ST
8"	8-450ST
10"	10-450ST

For grooved options, part number will be designated using "GF", "FG", or "G" (e.g. 4-450STFG, 4-450STGF, 4-450STG)

<b>450STOSY: FLANGED OSY X FLANGED OSY</b>	
--	--

4"	4-450STOSY
6"	6-450STOSY
8"	8-450STOSY
10"	10-450STOSY

For grooved options, part number will be designated using "GF", "FG", or "G" (e.g. 4-450STOSYFG, 4-450STOSYGF, 4-450STOSYG)

<b>450STBG: GROOVED BG X GROOVED BG (TAMPED BUTTERFLY VALVES)</b>	
---	--

4"	4-450STBG
6"	6-450STBG
8"	8-450STBG
10"	10-450STBG

<b>450STBF: FLANGED BF X FLANGED BF (TAMPED BUTTERFLY VALVES)</b>	
---	--

4"	4-450STBF
6"	6-450STBF
8"	8-450STBF
10"	10-450STBF

SIZE	LEAD-FREE PART NUMBER
<b>450STPI: FLANGED PI X FLANGED PI</b>	

4"	4-450STPI
6"	6-450STPI
8"	8-450STPI
10"	10-450STPI

<b>450STR: FLANGED NRS X FLANGED NRS REPLACEMENT BACKFLOW</b>	
---	--

4"	4-450STR
6"	6-450STR
8"	8-450STR
10"	10-450STR

### APPLICATIONS

Designed for drop in replacement of competitor valves and new installation on potable water lines to protect against both backsiphonage and backpressure of polluted water into the potable water supply. The Model 450ST shall provide protection in a low hazard health application. Ideal for use where lead-free valves are required.

### FEATURES

- 4" - 10"
- 175 psi max
- 140°F max
- n-Pattern space saving design
- Stainless steel body
- Direct drop in replacement of competitor valves

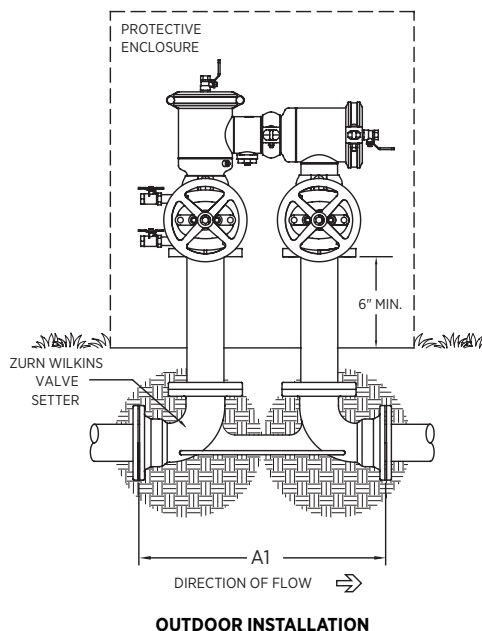
### APPROVALS AND APPLICABLE STANDARDS

- Approved by the Foundation for Cross-Connection Control and Hydraulic Research at the University of Southern California
- ASSE® Listed 1013, UL® Classified, FM® Approved, C-UL® Classified, CSA® Certified, AWWA Compliant C511 (with gates only), and C550
- Certified to NSF/ANSI 61

### ACCESSORIES

- Air gap (Model AG)
- Valve setter (Model FLSST or MJSST or MJFSST)
- OS&Y gate valve supervisory switch (OSY-40)
- Repair kits
- 4" to 3" adaptor (RFK4X3-400ST)

### TYPICAL INSTALLATION



# 450 SERIES – DOUBLE CHECK VALVE ASSEMBLY



## APPLICATIONS

A large diameter double check in the "n" pattern, for new or retrofit installations in tight locations.

## FEATURES

- 2-1/2" - 10"
- 175 psi max
- 140°F max
- n-Pattern space saving design
- Epoxy coated ductile iron body
- Utilizes modular, center-stem guided Compound Check

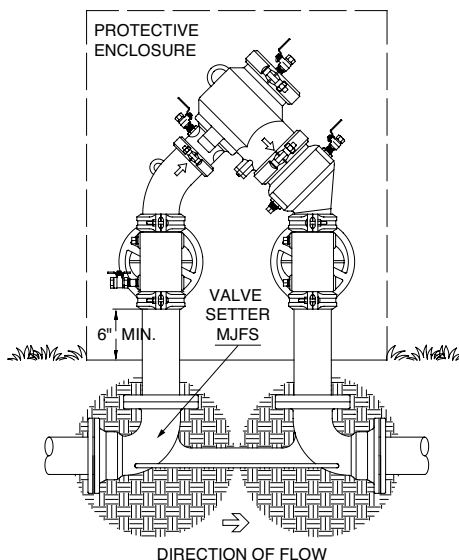
## APPROVALS AND APPLICABLE STANDARDS

- Approved by the Foundation for Cross-Connection Control and Hydraulic Research at the University of Southern California
- ASSE® Listed 1015, cUPC® Listed, AWWA Compliant, UL® Classified, C-UL® Classified, FM® Approved
- CSA® Certified
- Certified to NSF/ANSI 61 and 372

## ACCESSORIES

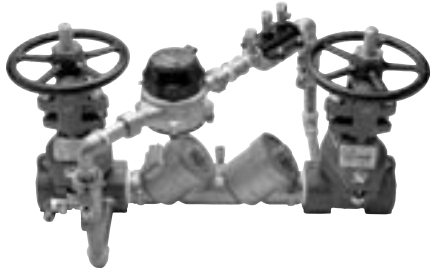
- Thermal expansion tank (Model XT)
- Valve setter (Model FLS or MJS or MJFS)
- OS&Y gate valve supervisory switch (OSY-40)
- Quick test set (QT-SET)
- Repair kits

## TYPICAL INSTALLATION



SIZE	LEAD-FREE PART NUMBER
<b>450: FLANGED NRS X FLANGED NRS</b>	
2-1/2"	212-450
3"	3-450
4"	4-450
6"	6-450
8"	8-450
10"	10-450
<i>For grooved options, part number will be designated using "GF", "FG" or "G" (e.g. 212-450FG, 4-450GF, 10-450G).</i>	
<b>450OSY: FLANGED OSY X FLANGED OSY</b>	
2-1/2"	212-450OSY
3"	3-450OSY
4"	4-450OSY
6"	6-450OSY
8"	8-450OSY
10"	10-450OSY
<i>For grooved options, part number will be designated using "GF", "FG" or "G" (e.g. 212-450OSYFG, 4-450OSYGF, 10-450OSYG).</i>	
<b>450BG: GROOVED BG X GROOVED BG (TAMPED BUTTERFLY VALVES)</b>	
4"	4-450BG
6"	6-450BG
8"	8-450BG
10"	10-450BG
<b>450BF: FLANGED BF X FLANGED BF (TAMPED BUTTERFLY VALVES)</b>	
4"	4-450BF
6"	6-450BF
8"	8-450BF
10"	10-450BF

# 950XLTA SERIES – DOUBLE CHECK DETECTOR ASSEMBLY



SIZE	OPTIONS	LEAD-FREE EXEMPT PART NUMBER
<b>950XLTA: FNPT OSY X FNPT OSY</b>		
2"	GPM Meter	2-950XLTA
2"	CFM Meter	2-950XLTDACFM
2"	Less Meter	2-950XLTDALM
<b>950XLTDABFSS: FNPT BF X FNPT BF, SUPERVISORY SWITCH (TAMPERED BUTTERFLY VALVES)</b>		
2"	GPM Meter	2-950XLTDABFSS
2"	CFM Meter	2-950XLTDABFSSCFM
2"	Less Meter	2-950XLTDABFSSLM
<b>950XLDAF: OVAL METER FLANGE X OVAL METER FLANGE</b>		
2"	GPM Meter	2-950XLDAF
2"	CFM Meter	2-950XLDAFCFM
2"	Less Meter	2-950XLDAFLM
<b>950XLTA: MNPT X MNPT, LESS SHUT-OFF VALVES</b>		
2"	GPM Meter	2-950XLTA

## APPLICATIONS

Double Check Detector Assembly for residential and light commercial Fire Protection Systems.

## FEATURES

- Available in 2" only
- 175 psi max
- 180°F max
- The by-pass assembly consists of a water meter (gallons standard) in series with a double check backflow preventer
- Bronze body construction

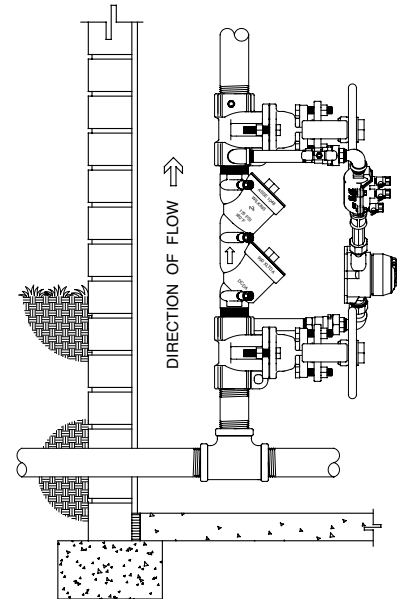
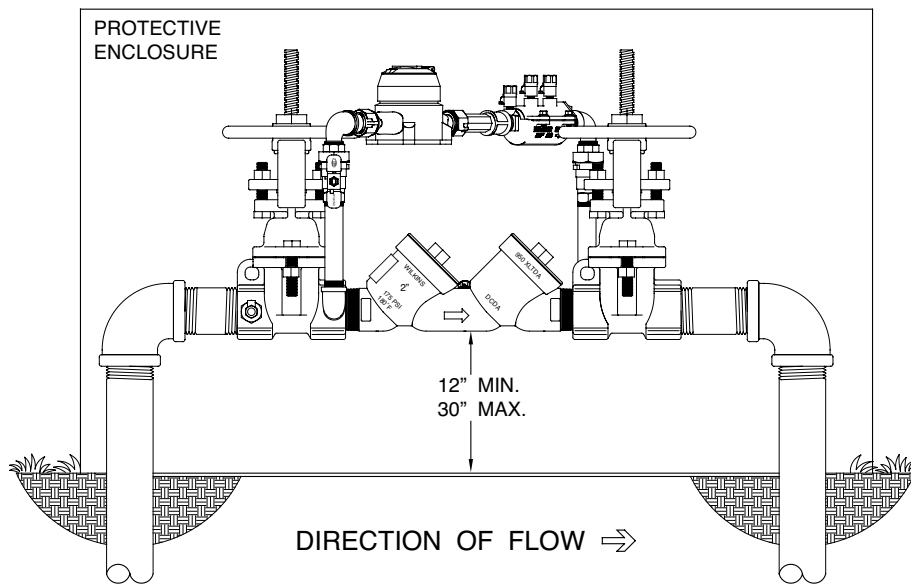
## APPROVALS AND APPLICABLE STANDARDS

- Approved by the Foundation for Cross-Connection Control and Hydraulic Research at the University of Southern California
- ASSE® Listed 1048, UL® Classified, C-UL® Classified

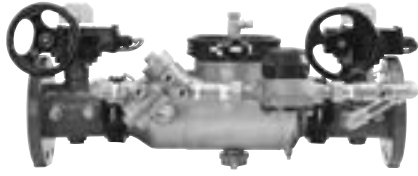
## ACCESSORIES

- OS&Y gate valve supervisory switch (OSY-40)
- Quick test set (QT-SET)
- Repair kits

## TYPICAL INSTALLATION



# 350ASTDA SERIES – DOUBLE CHECK DETECTOR ASSEMBLY WITH STAINLESS STEEL BODY



## APPLICATIONS

Fire protection double check detector constructed around a corrosion resistant, stainless steel body. Used in low health hazard applications.

## FEATURES

- 2-1/2" - 10"
- 175 psi max
- 140°F max
- Grooved or flanged end connections
- Improved Compound Check design
- Lower maintenance costs from corrosion resistance of stainless body

## APPROVALS AND APPLICABLE STANDARDS

- Approved by the Foundation for Cross Connection Control and Hydraulic Research at the University of Southern California
- ASSE® Listed 1048, AWWA Compliant C510 (with gates only) and C550, UL® Classified, C-UL® Classified, FM® Approved, CSA® Certified B64.5
- Certified to NSF/ANSI 61 and 372

## ACCESSORIES

- Thermal expansion tank (Model XT)
- OS&Y Gate valve tamper switch (OSY-40)
- Available with CFM water meter (5/8" x 3/4")
- Repair kits

SIZE	LEAD-FREE PART NUMBER
<b>350ASTDA: FLANGED OSY X FLANGED OSY</b>	
2-1/2"	212-350ASTDA
3"	3-350ASTDA
4"	4-350ASTDA
6"	6-350ASTDA
8"	8-350ASTDA
10"	10-350ASTDA

*For grooved options, part number will be designated using "GF", "FG" or "G" (e.g. 212-350ADAFG, 4-350ADAGF, 10-350ADAG).*

SIZE	LEAD-FREE PART NUMBER
<b>350ASTDAPI: FLANGED PI X FLANGED PI</b>	
2-1/2"	212-350ASTDAPI
3"	3-350ASTDAPI
4"	4-350ASTDAPI
6"	6-350ASTDAPI
8"	8-350ASTDAPI
10"	10-350ASTDAPI

*For grooved options, part number will be designated using "GF", "FG" or "G" (e.g. 212-350ASTDAPIFG, 4-350ASTDAPIGF, 10-350ASTDAPIG).*

SIZE	LEAD-FREE PART NUMBER
<b>350ASTDABG: GROOVED BG X GROOVED BG (TAMPURED BUTTERFLY VALVES)</b>	
2-1/2"	212-350ASTDABG
3"	3-350ASTDABG
4"	4-350ASTDABG
6"	6-350ASTDABG
8"	8-350ASTDABG
10"	10-350ASTDABG

SIZE	LEAD-FREE PART NUMBER
<b>350ASTDABF: FLANGED BF X FLANGED BF (TAMPURED BUTTERFLY VALVES)</b>	
2-1/2"	212-350ASTDABF
3"	3-350ASTDABF
4"	4-350ASTDABF
6"	6-350ASTDABF
8"	8-350ASTDABF
10"	10-350ASTDABF

SIZE	LEAD-FREE PART NUMBER
<b>350ASTDA OSY &amp; PI SHUT-OFF VALVE COMBINATIONS</b>	
2-1/2"-10"	OSY & PI GATE VALVES

*For grooved options, part number will be designated using "GF", "FG" or "G" (e.g. 212-350ASTDAPIOSYFG, 4-350ASTDAOSYPIGF, 10-350ASTDAOSYPIG).*

## OPTIONS AND LIST PRICE ADDERS (ADD OPTION TO LIST PRICE TO DETERMINE TOTAL LIST PRICE)

SIZE	OPTION
2-1/2" - 10"	CFM Suffix

*Part number will be designated using "CFM" (e.g. 212-350ASTDACFM, 4-350ASTDACFMBG, 10-350ASTDACFMOSYPIG).*

## 300AR SERIES - REPLACEMENT BACKFLOW ASSEMBLY (2-1/2" - 10")

Custom length Double Check Valve Assembly for drop in replacements. Stainless steel grooved x grooved spool installed between the backflow valve and the outlet shut-off valve. Can be used with 350 Series and 375 Series grooved body models. For replacement of longer lay-length backflow preventers.

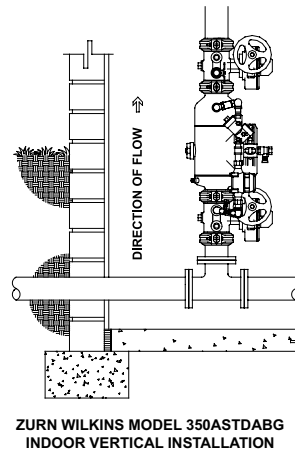
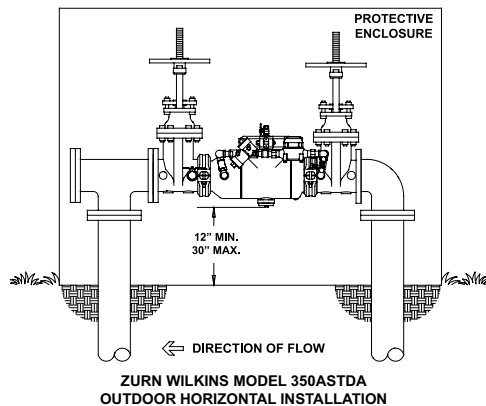
350ASTDAR list price adder to be added to list price of the 350ASTDA to determine total list price.

See order form and product specification sheet on the website for details and options.

SIZE	INLET X OUTLET CONNECTIONS / OPTIONS
2-1/2"	Length Range: Up to 47-1/8"
3"	Length Range: Up to 48-1/8"
4"	Length Range: Up to 62-1/4"
6"	Length Range: Up to 71-1/4"
8"	Length Range: Up to 86"
10"	Length Range: Up to 100-5/8"

*Part number will be designated using "350ASTDAR-A".*

## TYPICAL INSTALLATION



BACKFLOW PREVENTERS  
ACCESSORIES  
STRAINERS  
AUTOMATIC CONTROL VALVES  
PRESSURE REDUCING VALVES  
FIRE PROTECTION VALVES  
THERMOSTATIC MIXING VALVES  
RELIEF VALVES  
MISCELLANEOUS PLUMBING PRODUCTS  
REPAIR KITS

# 350ADA/350DA SERIES – DOUBLE CHECK DETECTOR ASSEMBLY



## APPLICATIONS

Ideal for fire protection applications. Epoxy coated, ductile iron Zurn Wilkins 350 series Double Check Valve Assembly with integral by-pass consisting of a water meter in series with a double check backflow preventer.

## FEATURES

- 350ADA: 2-1/2" - 10"
- 350DA: 2-1/2" - 12" [flanged body]
- 175 psi max
- 140°F max
- Resilient wedge OS&Y gate valves standard
- Epoxy-coated ductile iron body
- Modular check design

## APPROVALS AND APPLICABLE SPECIFICATIONS

- Approved by the Foundation for Cross-Connection Control and Hydraulic Research at the University of Southern California (2-1/2" - 10" 350ADA/350DA, 12" 350DA)
- ASSE® Listed 1048, UL® Classified, C-UL® Classified, FM® Approved, CSA® Classified, AWWA Compliant
- 12" UL classified (horizontal only)
- Certified to NSF/ANSI 61 and 372

## ACCESSORIES

- OS&Y gate valve supervisory switch (OSY-40)
- Available with CFM water meter (5/8" x 3/4")
- Repair kits

## TYPICAL INSTALLATION

See next page

SIZE	LEAD-FREE PART NUMBER
<b>350ADA (GROOVED BODY): FLANGED OSY X FLANGED OSY</b>	
2-1/2"	212-350ADA
3"	3-350ADA
4"	4-350ADA
6"	6-350ADA
8"	8-350ADA
10"	10-350ADA

For grooved options, part number will be designated using "GF", "FG" or "G" (e.g. 212-350ADAFG, 4-350ADAGF, 10-350ADAG).

SIZE	LEAD-FREE PART NUMBER
<b>350ADAPI (GROOVED BODY): FLANGED PI X FLANGED PI</b>	
2-1/2"	212-350ADAPI
3"	3-350ADAPI
4"	4-350ADAPI
6"	6-350ADAPI
8"	8-350ADAPI
10"	10-350ADAPI

For grooved options, part number will be designated using "GF", "FG" or "G" (e.g. 212-350ADAPIFG, 4-350ADAPIGF, 10-350ADAPIG).

SIZE	LEAD-FREE PART NUMBER
<b>350ADABG (GROOVED BODY): GROOVED BG X GROOVED BG (TAMPED BUTTERFLY VALVES)</b>	
2-1/2"	212-350ADABG
3"	3-350ADABG
4"	4-350ADABG
6"	6-350ADABG
8"	8-350ADABG
10"	10-350ADABG

SIZE	LEAD-FREE PART NUMBER
<b>350ADABF (GROOVED BODY): FLANGED BF X FLANGED BF (TAMPED BUTTERFLY VALVE)</b>	
2-1/2"	212-350ADABF
3"	3-350ADABF
4"	4-350ADABF
6"	6-350ADABF
8"	8-350ADABF
10"	10-350ADABF

SIZE	LEAD-FREE PART NUMBER
<b>350ADA OSY &amp; PI SHUT-OFF VALVE COMBINATIONS</b>	
2-1/2"-10"	OSY & PI GATE VALVES

For grooved options, part number will be designated using "GF", "FG" or "G" (e.g. 212-350ADAPIOSYFG, 4-350ADAOSYPIGF, 10-350ADAOSYPIG).

## OPTIONS AND LIST PRICE ADDERS (ADD OPTION TO LIST PRICE TO DETERMINE TOTAL LIST PRICE)

### 300AR SERIES - REPLACEMENT BACKFLOW ASSEMBLY (2-1/2" - 10")

Custom length Double Check Valve Assembly for drop in replacements. Stainless steel grooved x grooved spool installed between the backflow valve and the outlet shut-off valve. Can be used with 350 Series and 375 Series grooved body models. For replacement of longer lay-length backflow preventers.

350ADAR list price adder to be added to list price of the 350ADA to determine total list price.

See order form and product specification sheet on the website for details and options.

SIZE	INLET X OUTLET CONNECTIONS / OPTIONS
2-1/2"	Length Range: Up to 47-1/8"
3"	Length Range: Up to 48-1/8"
4"	Length Range: Up to 62-1/4"
6"	Length Range: Up to 71-1/4"
8"	Length Range: Up to 86"
10"	Length Range: Up to 100-5/8"

Part number will be designated using "350ADAR-A".

## 350ADA/350DA SERIES – DOUBLE CHECK DETECTOR ASSEMBLY (CONTINUED)

SIZE	LEAD-FREE PART NUMBER
<b>350DA (FLANGED BODY): FLANGED OSY X FLANGED OSY</b>	
2-1/2"	212-350DA
3"	3-350DA
4"	4-350DA
6"	6-350DA
8"	8-350DA
10"	10-350DA
12"	12IN-350DA

For grooved options, part number will be designated using "GF", "FG" or "G" (e.g. 212-350DAFG, 4-350DAFG, 10-350DAG).

<b>350DAPI (FLANGED BODY): FLANGED PI X FLANGED PI</b>	
2-1/2"	212-350DAPI
3"	3-350DAPI
4"	4-350DAPI
6"	6-350DAPI
8"	8-350DAPI
10"	10-350DAPI
12"	12IN-350DAPI

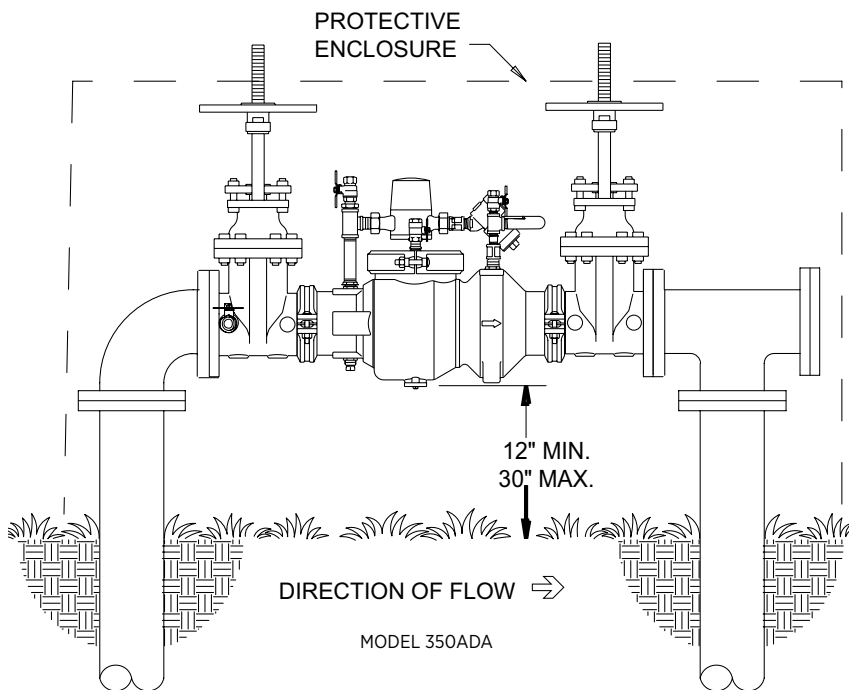
For grooved options, part number will be designated using "GF", "FG" or "G" (e.g. 212-350DAPIFG, 4-350DAPIFG, 10-350DAPIG).

<b>350DA (FLANGED BODY): OSY &amp; PI SHUT-OFF VALVE COMBINATIONS</b>	
2-1/2"-12"	OSY & PI GATE VALVES

For grooved options, part number will be designated using "GF", "FG" or "G" (e.g. 212-350DAPIOSYFG, 4-350DAOSYPIGF, 10-350DAOSYPIG).

OPTIONS AND LIST PRICE ADDERS (ADD OPTION TO LIST PRICE TO DETERMINE TOTAL LIST PRICE)	
<b>SIZE</b>	
<b>CUBIC FEET METER (CFM) OPTION</b>	
2-1/2" - 12"	CFM Suffix
Part number will be designated using "CFM" (e.g. 212-350DACFM, 4-350DACFMFG, 10-350DACFMOSYPIG).	
<b>LESS METER (LM) OPTION</b>	
2-1/2" - 12"	LM Suffix
Part number will be designated using "LM" (e.g. 212-350DALM, 4-350DALMFG, 10-350DALMOSYPIG).	

### TYPICAL INSTALLATION



## 450STDA SERIES – DOUBLE CHECK DETECTOR ASSEMBLY WITH STAINLESS STEEL BODY



SIZE	LEAD-FREE PART NUMBER
<b>450STDA: FLANGED OSY X FLANGED OSY</b>	
4"	4-450STDA
6"	6-450STDA
8"	8-450STDA
10"	10-450STDA
<b>450STDAR: FLANGED OSY X FLANGED OSY REPLACEMENT BACKFLOW</b>	
4"	4-450STDAR
6"	6-450STDAR
8"	8-450STDAR
10"	10-450STDAR

### APPLICATIONS

Designed for drop in replacement of competitor valves and new installation on water lines in fire protection systems to protect against both backsiphonage and backpressure of polluted water into the potable water supply. Model 450STDA shall provide protection in a low hazard health application. Incorporates metered by-pass to detect leaks and unauthorized water use.

### FEATURES

- 4" - 10"
- 175 psi max
- 140°F max
- n-Pattern space saving design
- Stainless steel body
- Direct drop in replacement of competitor valves
- The by-pass assembly consists of a water meter in series with a reduced pressure principle backflow preventer

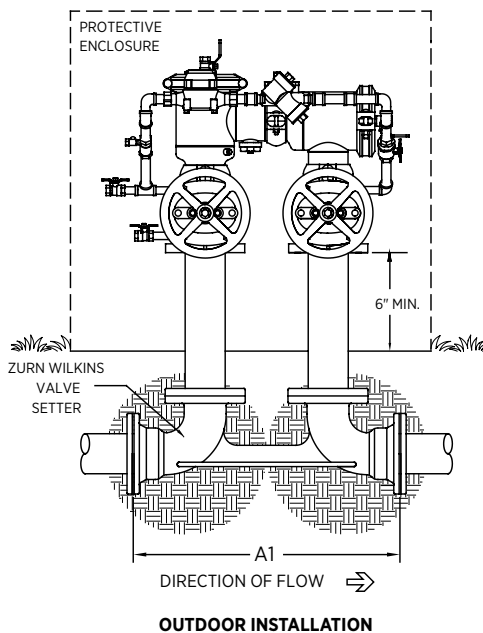
### APPROVALS AND APPLICABLE STANDARDS

- Approved by the Foundation for Cross-Connection Control and Hydraulic Research at the University of Southern California
- ASSE® Listed 1013, UL® Classified, FM® Approved, UL® Classified, CSA® Certified, AWWA Compliant C511 (with gates only), and C550
- Certified to NSF/ANSI 61

### ACCESSORIES

- Air gap (Model AG)
- Valve setter (Model FLSST or MJSST or MJFSST)
- OS&Y gate valve supervisory switch (OSY-40)
- Repair kits
- 4" to 3" adaptor (RFK4X3-400ST)

### TYPICAL INSTALLATION



## 450DA SERIES – DOUBLE CHECK DETECTOR ASSEMBLY



### APPLICATIONS

A large diameter Double Check Detector Assembly for low health hazard fire applications. Excellent for new or retrofit installations in tight locations.

### FEATURES

- 4", 6", 8", 10"
- 175 psi max
- 140°F max
- n-Pattern space saving design
- OS&Y gate valves standard
- Epoxy coated ductile iron body
- Utilizes a patented center-stem guided Compound Check closure

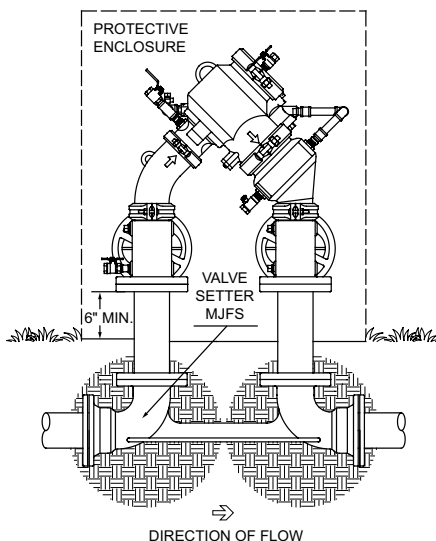
### APPROVALS AND APPLICABLE SPECIFICATIONS

- Approved by the Foundation for Cross-Connection Control and Hydraulic Research at the University of Southern California
- ASSE® Listed 1048, UL® Classified, FM® Approved, C-UL® Classified, AWWA Compliant, CSA® Certified
- Certified to NSF/ANSI 61 and 372

### ACCESSORIES

- Valve setter (Model FLS or MJS or MJFS)
- OS&Y gate valve supervisory switch (OSY-40)
- Quick test set (QT-SET)
- Available with CFM water meter (5/8" x 3/4")
- Repair kits

### TYPICAL INSTALLATION



SIZE	LEAD-FREE PART NUMBER
<b>450DA: FLANGED X FLANGED OS&amp;Y GATE VALVES</b>	
4"	4-450DA
6"	6-450DA
8"	8-450DA
10"	10-450DA

For grooved options, part number will be designated using "GF", "FG" or "G" (e.g. 4-450DAFG, 6-450DAGF, 10-450DAG).

<b>450DABG: GROOVED BG X GROOVED BG (TAMPED BUTTERFLY VALVE)</b>	
4"	4-450DABG
6"	6-450DABG
8"	8-450DABG
10"	10-450DABG

<b>450DABF: FLANGED BF X FLANGED BF (TAMPED BUTTERFLY VALVE)</b>	
4"	4-450DABF
6"	6-450DABF
8"	8-450DABF
10"	10-450DABF

<b>450DA OSY &amp; PI SHUT-OFF VALVE COMBINATIONS</b>	
4" - 10"	OSY & PI GATE VALVES

For grooved options, part number will be designated using "GF", "FG" or "G" (e.g. 4-450DAPIOSYFG, 6-450DAOSYPIGF, 10-450DAOSYPIG).

### OPTIONS AND LIST PRICE ADDERS (ADD OPTION TO LIST PRICE TO DETERMINE TOTAL LIST PRICE)

#### CUBIC FEET METER (CFM) OPTION

4" - 10" CFM Suffix

Part number will be designated using "CFM" (e.g. 4-450DACFM, 6-450DACFMBG, 10-450DACFMOSYPIG).

#### LESS METER (LM) OPTION

4" - 10" LM Suffix

Part number will be designated using "LM" (e.g. 4-450DALM, 6-450DALMBG, 10-450DALMOSYPIG).



## 375XL/375 SERIES – REDUCED PRESSURE PRINCIPLE ASSEMBLY



### APPLICATIONS

A high health hazard level of protection in a small, modular package, the 375XL and 375 are the top of the line in backflow prevention assemblies. This patented, unique design allows for rapid commissioning and winterizing because the entire pressure vessel can be removed for line flushing.

### FEATURES

- 1/2" - 2"
- 175 psi max
- 180°F max
- Short lay length – fits in smaller area
- Removable pressure vessel simplifies service and maintenance
- Composite housing and check modules resist corrosion

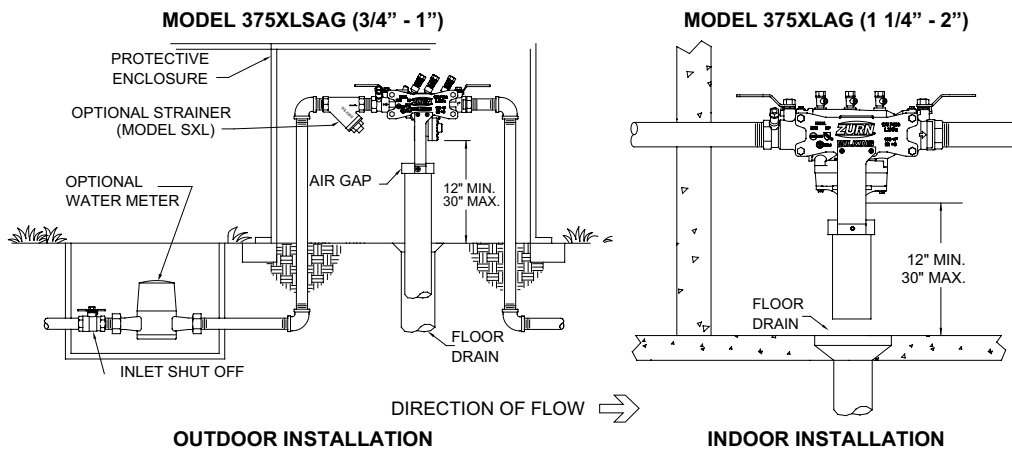
### APPROVALS AND APPLICABLE SPECIFICATIONS

- Approved by the Foundation for Cross-Connection Control and Hydraulic Research at the University of Southern California
- ASSE® Listed 1013, cUPC® Listed, CSA® Certified, AWWA compliant C511
- 375XL is certified to NSF/ANSI 61 and 372

### ACCESSORIES

- Air gap (Model AG)
- Thermal expansion tank (Model XT)
- Soft seated check valve (Model 40XL2)
- Water hammer arrestor (Model 1260XL)
- Quick test set (QT-SET)
- Flush fitting/blow out kit (RK34-375FLUSH or RK1-375FLUSH or RK114-350-375FLUSH)
- Bronze wye strainer (Model SXL)

### TYPICAL INSTALLATION



SIZE	LEAD-FREE PART NUMBER	LEAD-FREE EXEMPT PART NUMBER
<b>375XL/375: FNPT X FNPT</b>		
1/2"	12-375XL	12-375
3/4"	34-375XL	34-375
1"	1-375XL	1-375
1-1/4"	114-375XL	114-375
1-1/2"	112-375XL	112-375
2"	2-375XL	2-375
<b>OPTIONS AND LIST PRICE ADDERS (ADD OPTION TO LIST PRICE TO DETERMINE TOTAL LIST PRICE)</b>		
<b>FAST-TEST TEST COCKS (FT) OPTION (E.G. 2-375XLFT), 1/2" THROUGH 1" USC APPROVED</b>		
1/2" - 2"	FT Suffix	-
<b>AIR GAP (AG) OPTION (E.G. 2-375XLAG)</b>		
1/2" - 1"	AG Option, Composite Air Gap (AG-11)	-
1-1/4" - 2"	AG Option, Composite Air Gap (AG-12)	-
<b>LEAD-FREE BRONZE WYE STRAINER (S) OPTION WITH NIPPLE (E.G. 2-375XLS)</b>		
1/2" - 2"	S Suffix	-
<b>STREET ELBOWS (SE) OPTION (E.G. 2-375XLSE)</b>		
1/2" - 2"	SE Suffix	-

## 375XLB SERIES – THEFT PREVENTION REDUCED PRESSURE PRINCIPLE ASSEMBLY



### APPLICATIONS

Theft deterrent version of the 375XL, with durable black UV stabilized fusion epoxy coating applied to the exterior bronze. Ideal for high visibility outdoor irrigation, plumbing, and waterworks applications.

### FEATURES

- 1/2" - 2"
- 175 psi max
- 180°F max
- Durable black UV stabilized fusion epoxy coating applied to the exterior bronze ball valves
- Stainless steel struts are uncoated
- Short lay length – fits in smaller area
- Removable pressure vessel eliminates the need of union connections
- Composite housing and check modules resist corrosion

### APPROVALS AND APPLICABLE SPECIFICATIONS

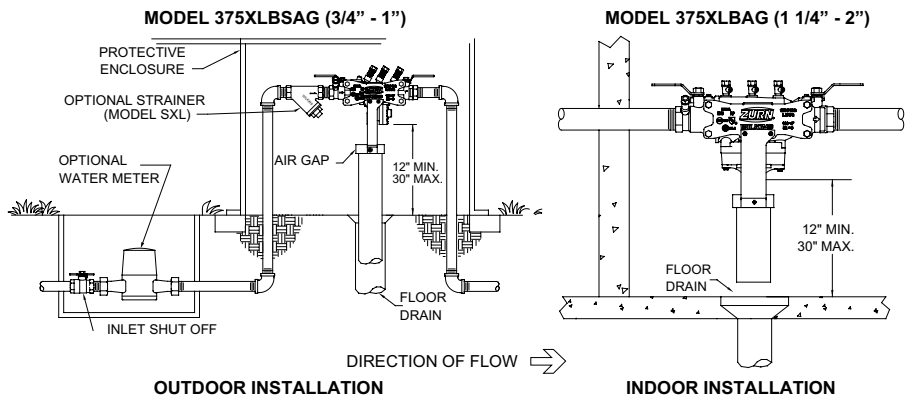
- Approved by the Foundation for Cross Connection Control and Hydraulic Research at the University of Southern California
- ASSE® Listed 1013, cUPC® Listed, CSA® Certified B64.4, AWWA compliant C511
- UL® Classified, C-UL® Classified
- Certified to NSF/ANSI 61 and 372

### ACCESSORIES

- Thermal expansion tank (Model XT)
- Soft seated check valve (Model 40XL2)
- Water hammer arrester (Model 1260XL)
- QT-SET Quick Test Fitting Set
- Flush fitting/blow out kit (RK34-375FLUSH, RK1-375FLUSH or RK114-350-375FLUSH)
- Air gap (Model AG)
- SXL strainer
- Repair kits

SIZE	LEAD-FREE PART NUMBER
<b>375XLB: FNPT X FNPT, BLACK ANTI-THEFT COATING</b>	
1/2"	12-375XLB
3/4"	34-375XLB
1"	1-375XLB
1-1/4"	114-375XLB
1-1/2"	112-375XLB
2"	2-375XLB

### TYPICAL INSTALLATION



## 375ST SERIES – STAINLESS STEEL REDUCED PRESSURE PRINCIPLE ASSEMBLY



### APPLICATIONS

The Reduced Pressure Principle Assembly for high hazard applications in corrosive environments, such as medical, food processing, distilleries, and brewery applications.

### FEATURES

- 1/2" - 1"
- 175 psi max
- 180°F max
- Short lay length – fits in smaller area
- Plastic pressure vessel and stainless steel struts are corrosion resistant
- Removable pressure vessel simplifies service and maintenance

### APPROVALS AND APPLICABLE SPECIFICATIONS

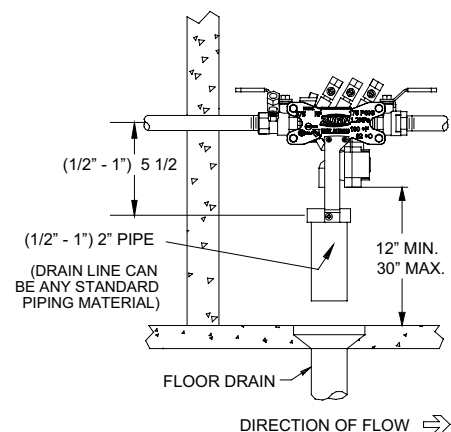
- Approved by the Foundation for Cross Connection Control and Hydraulic Research at the University of Southern California
- ASSE® Listed 1013, CSA B64.4
- Certified to NSF/ANSI 61 and 372

### ACCESSORIES

- Air gap (Model AG)
- Thermal expansion tank (Model XT)
- Quick test set (QT-SET)
- Flush fitting/blow out kit (RK34-375FLUSH or RK1-375FLUSH or RK114-350-375FLUSH)
- Repair kits

SIZE	LEAD-FREE PART NUMBER
<b>375ST: FNPT X FNPT, STAINLESS STEEL</b>	
1/2"	12-375ST
3/4"	34-375ST
1"	1-375ST

### TYPICAL INSTALLATION



For additional product information, please visit [www.zurn.com](http://www.zurn.com).

## 975XL2/975XL SERIES – REDUCED PRESSURE PRINCIPLE ASSEMBLY



### APPLICATIONS

The 975XL2 provides high hazard backflow protection in all market segments.

### FEATURES

- 1/4" - 1/2" [top access design]
- 3/4" - 2" [wye pattern design]
- 175 psi max
- 180°F max
- Individual access covers for ease of repair
- Bronze body construction
- Noryl® replaceable seats

### APPROVALS AND APPLICABLE SPECIFICATIONS

- Approved by the Foundation for Cross Connection Control and Hydraulic Research at the University of Southern California
- ASSE® Listed 1013, cUPC® Listed, CSA® Certified B64.4, AWWA compliant C511, UL® Classified, C-UL® Classified
- Model 975XL2 is certified to NSF/ANSI 61 and 372

### ACCESSORIES

- Air gap (Model AG)
- Thermal expansion tank (Model XT)
- Soft seated check valve (Model 40XL2)
- Water hammer arrestor (Model 1260XL)
- SXL strainer
- Repair kits

### TYPICAL INSTALLATION

See next page

SIZE	LEAD-FREE PART NUMBER	LEAD-FREE EXEMPT PART NUMBER
<b>975XL2/975XL: FNPT X FNPT</b>		
1/4"	14-975XL2	-
3/8"	38-975XL2	-
1/2"	12-975XL2	-
3/4"	34-975XL2	34-975XL
1"	1-975XL2	1-975XL
1-1/4"	114-975XL2	114-975XL
1-1/2"	112-975XL2	112-975XL
2"	2-975XL2	2-975XL
<b>975XL2U/975XLU: FNPT UNION X FNPT UNION</b>		
3/4"	34-975XL2U	34-975XLU
1"	1-975XL2U	1-975XLU
1-1/4"	114-975XL2U	-
1-1/2"	112-975XL2U	-
2"	2-975XL2U	-
<b>975XL2: FNPT X FNPT, LESS SHUT-OFF VALVES</b>		
1/4"	14-975LXL2	-
3/8"	38-975LXL2	-
1/2"	12-975LXL2	-
<b>975XL2/975LXL: MNPT X MNPT, LESS SHUT-OFF VALVES</b>		
3/4"	34-975LXL2	34-975LXL
1"	1-975LXL2	1-975LXL
1-1/4"	114-975LXL2	114-975LXL
1-1/2"	112-975LXL2	112-975LXL
2"	2-975LXL2	2-975LXL
<b>975XLBFB: FNPT BF X FNPT BF (TAMPED BUTTERFLY VALVES), SUPERVISORY SWITCH</b>		
1-1/4"	-	114-975XLBFBSS
1-1/2"	-	112-975XLBFBSS
2"	-	2-975XLBFBSS
<b>975XLOS: FNPT OSY X FNPT OSY</b>		
3/4"	-	34-975XLOS
1"	-	1-975XLOS
1-1/4"	-	114-975XLOS
1-1/2"	-	112-975XLOS
2"	-	2-975XLOS
<b>975XLFDC: FIRE HOSE CONNECTIONS, 2-1/2" FEMALE NATIONAL HOSE THD SWIVEL X 2-1/2" MALE NATIONAL HOSE THD</b>		
2"	-	2-975XLFDC
<b>975XLD: MNPT X MNPT, LESS BALL VALVES, RPD BY-PASS ASSEMBLY FOR 375DA, 375ADA, 375ASTDA, 475DA AND 475DAV</b>		
3/4"	34-975XLD	-

## 975XLST SERIES – STAINLESS STEEL REDUCED PRESSURE PRINCIPLE ASSEMBLY

SIZE	LEAD-FREE PART NUMBER
<b>975XLST: FNPT X FNPT, STAINLESS STEEL BODY</b>	
3/8"	38-975XLST
1/2"	12-975XLST



## 975XL2/975XL SERIES - REDUCED PRESSURE PRINCIPLE ASSEMBLY (CONTINUED)

### 975XL2SE / 975XL2SEU SERIES - REDUCED PRESSURE PRINCIPLE ASSEMBLY WITH 90° STREET ELBOW

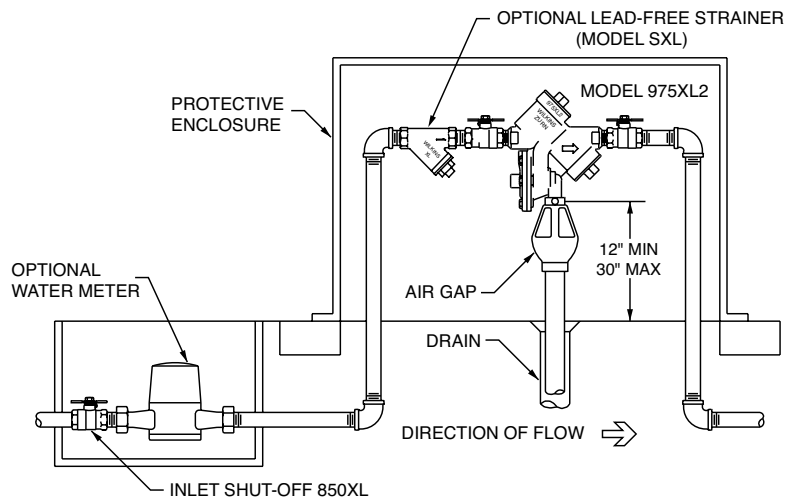


SIZE	LEAD-FREE PART NUMBER
<b>975XL2SE: FNPT X FNPT, SWEEP ELBOWS, STANDARD BALL VALVES</b>	
3/4"	34-975XL2SE
1"	1-975XL2SE
<b>975XL2SEU: FNPT X FNPT, STREET ELBOWS, UNION BALL VALVES</b>	
3/4"	34-975XL2SEU
1"	1-975XL2SEU
1-1/4"	114-975XL2SEU
1-1/2"	112-975XL2SEU
2"	2-975XL2SEU

See 975XL for available options.

OPTIONS AND LIST PRICE ADDERS (ADD OPTION TO LIST PRICE TO DETERMINE TOTAL LIST PRICE)	
<b>FAST-TEST TEST COCKS (FT) OPTION (E.G. 2-975XL2FT), 1/4" THROUGH 1" USC APPROVED</b>	
1/4"-2"	FT Suffix
<b>AIR GAP (-AG) OPTION</b>	
1/4"-1/2"	AG Option, Iron Air Gap (AG-8)
3/4"-1"	AG Option, Iron Air Gap (AG-4)
1-1/4"-2"	AG Option, Iron Air Gap (AG-5)
<b>LEAD-FREE BRONZE WYE STRAINER (S) OPTION WITH NIPPLE (E.G. 2-975XL2S)</b>	
1/2"-2"	S Suffix
<b>TEST COCKS UP (TCU) OPTION (E.G. 2-975XL2TCU)</b>	
1/4"-2"	TCU Suffix

### TYPICAL INSTALLATION



# 975XL3 SERIES – REDUCED PRESSURE PRINCIPLE ASSEMBLY

**NEW**



## APPLICATIONS

Ideal for use where lead-free valves are required. Designed for installation on potable water lines to protect against both backsiphonage and backpressure of contaminated water into the potable water supply. Assembly shall provide protection where a potential health hazard exists.

## FEATURES

- 1/2" - 2"
- 175 psi max
- 180°F max
- Compact and shortest bronze small backflow valve on the market allowing for installation versatility
- All-bronze body ensures durability against the elements, with a Noryl<sup>®</sup> check body and stainless-steel fasteners to resist corrosion over time
- EZSwap<sup>®</sup> modular check with top access speeds up repairs and replacements
- Test ports located on valve's centerline make install and testing easy
- Checks have a twist lock connection for easy access and disassembly

## APPROVALS AND APPLICABLE STANDARDS

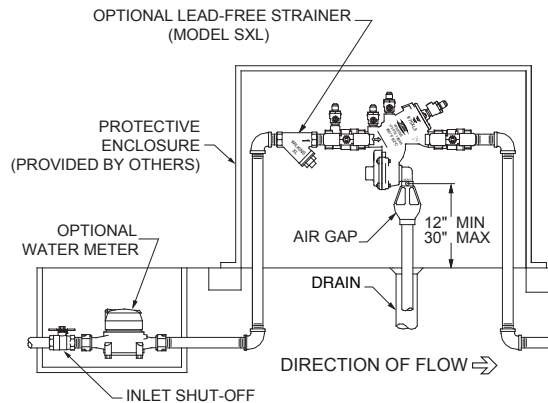
- ASSE<sup>®</sup> Listed 1013
- cUPC<sup>®</sup> Listed
- AWWA Compliant C511
- Meets the requirements of NSF/ANSI/CAN 61 and 372
- Approved by the Foundation for Cross-Connection Control and Hydraulic Research at the University of Southern California
- CSA<sup>®</sup> Certified B64.4

## ACCESSORIES

- Air gap (Model AG-X)
- Repair kits (see repair kit guide for full list)
- Thermal expansion tank (Model XT)
- Soft seated check valve (Model 40XL2)
- Shock arrester (Model 1260XL)
- QT-SET Quick Test Fitting Set (1-1/4" - 2")
- Flush fitting/blow out kit (3/4" RK34-900XL3WF, 1" RK1-900XL3WF, 1-1/4" & 1-1/2" RK114-112-900XL3WF, 2" RK2-900XL3WF)

SIZE	LEAD-FREE PART NUMBER
<b>975XL3: FNPT X FNPT</b>	
1/2"	12-975XL3
3/4"	34-975XL3
1"	1-975XL3
1-1/4"	114-975XL3
1-1/2"	112-975XL3
2"	2-975XL3
<b>975XL3U: FNPT UNION X FNPT UNION</b>	
3/4"	34-975XL3U
1"	1-975XL3U
1-1/4"	114-975XL3U
1-1/2"	112-975XL3U
2"	2-975XL3U
<b>975XL3SE: FNPT X FNPT, SWEEP ELBOW, STANDARD BALL VALVES</b>	
1/2"	12-975XL3SE
3/4"	34-975XL3SE
1"	1-975XL3SE
<b>975XL3SEU: FNPT X FNPT, STREET ELBOWS, UNION BALL VALVES</b>	
3/4"	34-975XL3SEU
1"	1-975XL3SEU
<b>OPTIONS AND LIST PRICE ADDERS</b> (ADD OPTION TO LIST PRICE TO DETERMINE TOTAL LIST PRICE)	
<b>FAST-TEST TEST COCKS (FT) OPTION (E.G. 2-975XL3FT), CONTACT FACTORY FOR APPROVALS</b>	
1-1/4" - 2"	FT Suffix
<b>AIR GAP (-AG) OPTION</b>	
1/2" - 1"	AG Option, Iron Air Gap (AG-8)
1-1/4" - 1-1/2"	AG Option, Iron Air Gap (AG-4)
2"	AG Option, Iron Air Gap (AG-5)
<b>LEAD-FREE BRONZE WYE STRAINER (S) OPTION WITH NIPPLE</b>	
1/2" - 2"	S Suffix
<b>975XL3BFSS: FNPT BF X FNPT BF, SUPERVISORY SWITCH (TAMPED BUTTERFLY VALVES)</b>	
1-1/4"	114-975XL3BFSS
1-1/2"	112-975XL3BFSS
2"	2-975XL3BFSS

## TYPICAL INSTALLATION



## OUTDOOR INSTALLATION

\*Noryl<sup>®</sup> is a registered trademark of SABIC Global Technologies B.V.

For additional product information, please visit [www.zurn.com](http://www.zurn.com).

## 375AST SERIES – REDUCED PRESSURE PRINCIPLE ASSEMBLY WITH STAINLESS STEEL BODY



### APPLICATIONS

Zurn Wilkins state of the art Reduced Pressure Principle Assembly for high hazard applications in all market segments.

### FEATURES

- 2-1/2" - 10"
- 175 psi max
- 140°F max
- Grooved or flanged end connections
- Improved Compound Check design
- Short lay-length for small space installation
- Lower maintenance costs from corrosion resistance of stainless body

### APPROVALS AND APPLICABLE SPECIFICATIONS

- Approved by the Foundation for Cross Connection Control and Hydraulic Research at the University of Southern California
- ASSE® Listed 1013, AWWA Compliant C511 (with gates only), and C550, FM® Approved, UL® Classified, C-UL® Classified, CSA® Certified, cUPC® Listed
- Certified to NSF/ANSI 61 and 372

### ACCESSORIES

- OS&Y Gate valve tamper switch (OSY-40)
- Air gap (Model AG)
- FSC strainer
- Repair kits

SIZE	LEAD-FREE PART NUMBER
<b>375AST: FLANGED NRS X FLANGED NRS</b>	
2-1/2"	212-375AST
3"	3-375AST
4"	4-375AST
6"	6-375AST
8"	8-375AST
10"	10-375AST

For grooved options, part number will be designated using "GF", "FG" or "G" (e.g. 212-375ASTFG, 4-375ASTGF, 10-375ASTG).

SIZE	LEAD-FREE PART NUMBER
<b>375ASTOSY: FLANGED OSY X FLANGED OSY</b>	
2-1/2"	212-375ASTOSY
3"	3-375ASTOSY
4"	4-375ASTOSY
6"	6-375ASTOSY
8"	8-375ASTOSY
10"	10-375ASTOSY

For grooved options, part number will be designated using "GF", "FG" or "G" (e.g. 212-375ASTOSYFG, 4-375ASTOSYGF, 10-375ASTOSYG).

SIZE	LEAD-FREE PART NUMBER
<b>375ASTBG: GROOVED BG X GROOVED BG (TAMPED BUTTERFLY VALVES)</b>	
2-1/2"	212-375ASTBG
3"	3-375ASTBG
4"	4-375ASTBG
6"	6-375ASTBG
8"	8-375ASTBG
10"	10-375ASTBG

SIZE	LEAD-FREE PART NUMBER
<b>375ASTBF: FLANGED BF X FLANGED BF (TAMPED BUTTERFLY VALVES)</b>	
2-1/2"	212-375ASTBF
3"	3-375ASTBF
4"	4-375ASTBF
6"	6-375ASTBF
8"	8-375ASTBF
10"	10-375ASTBF

SIZE	LEAD-FREE PART NUMBER
<b>375AST WITH OSY &amp; PI SHUT-OFF VALVE COMBINATIONS</b>	
2-1/2" - 10"	OSY & PI GATE VALVES

Part number will be designated using "GF", "FG" or "G" (e.g. 212-375ASTPIOSYFG, 4-375ASTOSYPIGF, 10-375ASTOSYPIG).

### OPTIONS AND LIST PRICE ADDERS (ADD OPTION TO LIST PRICE TO DETERMINE TOTAL LIST PRICE)

OPTION	DESCRIPTION
<b>AIR GAP (-AG) OPTION</b>	
2-1/2" - 6"	AG Option, Iron Air Gap (AG-6)
8" - 10"	AG Option, Iron Air Gap (AG-7)

Part number will be designated using "-AG" (e.g. 212-375A-AG, 4-375ALMFG-AG, 10-375AOSYPIG-AG).

### FSC STRAINER (FSC) OPTION WITH BOLT KIT, FLANGED X FLANGED CONNECTION

OPTION	DESCRIPTION
2-1/2" - 10"	FSC Suffix

Part number will be designated using "FSC" (e.g. 212-375AFSC, 4-375AOSYFSC, 10-375AOSYPIFSC).

### 300AR SERIES - REPLACEMENT BACKFLOW ASSEMBLY (2-1/2" - 10")

Custom length Double Check Valve Assembly for drop in replacements. Stainless steel grooved x grooved spool installed between the backflow valve and the outlet shut-off valve. Can be used with 350 Series and 375 Series grooved body models. For replacement of longer lay-length backflow preventers.

375ASTR list price adder to be added to list price of the 375AST to determine total list price.

See order form and product specification sheet on the website for details and options.

SIZE	INLET X OUTLET CONNECTIONS / OPTIONS
2-1/2"	Length Range: Up to 47-1/8"
3"	Length Range: Up to 48-1/8"
4"	Length Range: Up to 62-1/4"
6"	Length Range: Up to 71-1/4"
8"	Length Range: Up to 86"
10"	Length Range: Up to 100-5/8"

Part number will be designated using "375ASTR-A".

## 375A/375 SERIES – REDUCED PRESSURE PRINCIPLE ASSEMBLY



### APPLICATIONS

Traditional Reduced Pressure Principal Assembly with an epoxy coated, ductile iron body. Used in high health hazard applications and all market segments.

### FEATURES

- 375A 2-1/2" - 10"
- 375 2-1/2" - 10"
- 175 psi max
- 140°F max
- Complete with two flange-ended non-rising stem resilient wedge gate valves and four resilient seated ball valve test cocks
- No threads or taps in body or cover, eliminating exposure to corrosion

### APPROVALS AND APPLICABLE SPECIFICATIONS

- Approved by the Foundation for Cross-Connection Control and Hydraulic Research at the University of Southern California
- ASSE® Listed 1013, UL® Classified, FM® Approved, AWWA Compliant, C-UL® Classified, CSA® Certified, cUPC® Listed
- Certified to NSF/ANSI 61 and 372

### ACCESSORIES

- Air gap (Model AG)
- Thermal expansion tank (Model XT)
- FSC strainer
- Repair kits

### TYPICAL INSTALLATION

See next page

SIZE	LEAD-FREE PART NUMBER
<b>375A: FLANGED NRS X FLANGED NRS</b>	
2-1/2"	212-375A
3"	3-375A
4"	4-375A
6"	6-375A
8"	8-375A
10"	10-375A

For grooved options, part number will be designated using "GF", "FG" or "G" (e.g. 212-375AFG, 4-375AGF, 10-375AG).

SIZE	LEAD-FREE PART NUMBER
<b>375AOSY: FLANGED OSY X FLANGED OSY</b>	
2-1/2"	212-375AOSY
3"	3-375AOSY
4"	4-375AOSY
6"	6-375AOSY
8"	8-375AOSY
10"	10-375AOSY

For grooved options, part number will be designated using "GF", "FG" or "G" (e.g. 212-375AOSYFG, 4-375AOSYGF, 10-375AOSYG).

SIZE	LEAD-FREE PART NUMBER
<b>375ABG: GROOVED BG X GROOVED BG (TAMPED BUTTERFLY VALVES)</b>	
2-1/2"	212-375ABG
3"	3-375ABG
4"	4-375ABG
6"	6-375ABG
8"	8-375ABG
10"	10-375ABG

SIZE	LEAD-FREE PART NUMBER
<b>375ABF: FLANGED BF X FLANGED BF (TAMPED BUTTERFLY VALVES)</b>	
2-1/2"	212-375ABF
3"	3-375ABF
4"	4-375ABF
6"	6-375ABF
8"	8-375ABF
10"	10-375ABF

SIZE	LEAD-FREE PART NUMBER
<b>375A WITH OSY AND PI SHUT-OFF VALVE COMBINATIONS</b>	
2-1/2" - 10"	OSY & PI GATE VALVES

Part number will be designated using "GF", "FG" or "G" (e.g. 212-375APIOSYFG, 4-375AOSYPIGF, 10-375AOSYPIG).

### OPTIONS AND LIST PRICE ADDERS (ADD OPTION TO LIST PRICE TO DETERMINE TOTAL LIST PRICE)

#### 300AR SERIES - REPLACEMENT BACKFLOW ASSEMBLY (2-1/2" - 10")

Custom length Double Check Valve Assembly for drop in replacements. Stainless steel grooved x grooved spool installed between the backflow valve and the outlet shut-off valve. Can be used with 350 Series and 375 Series grooved body models. For replacement of longer lay-length backflow preventers.

375AR list price adder to be added to list price of the 375A to determine total list price.

See order form and product specification sheet on the website for details and options.

SIZE	INLET X OUTLET CONNECTIONS / OPTIONS
2-1/2"	Length Range: Up to 47-1/8"
3"	Length Range: Up to 48-1/8"
4"	Length Range: Up to 62-1/4"
6"	Length Range: Up to 71-1/4"
8"	Length Range: Up to 86"
10"	Length Range: Up to 100-5/8"

Part number will be designated using "375AR-A".

# 375A/375 SERIES – REDUCED PRESSURE PRINCIPLE ASSEMBLY (CONTINUED)

SIZE	LEAD-FREE PART NUMBER
<b>375: FLANGED NRS X FLANGED NRS</b>	
2-1/2"	212-375
3"	3-375
4"	4-375
6"	6-375
8"	8-375
10"	10-375

For grooved options, part number will be designated using "GF", "FG" or "G" (e.g. 212-375FG, 4-375GF, 10-375G).

<b>375OSY: FLANGED OSY X FLANGED OSY</b>	
2-1/2"	212-375OSY
3"	3-375OSY
4"	4-375OSY
6"	6-375OSY
8"	8-375OSY
10"	10-375OSY

For grooved options, part number will be designated using "GF", "FG" or "G" (e.g. 212-375OSYFG, 4-375OSYGF, 10-375OSYG).

<b>375 OSY AND PI SHUT-OFF VALVE COMBINATIONS</b>	
2-1/2"-10"	OSY & PI GATE VALVES

For grooved options, part number will be designated using "GF", "FG" or "G" (e.g. 212-375PIOSYFG, 4-375OSYPIGF, 10-375OSYPIG).

## OPTIONS AND LIST PRICE ADDERS (ADD OPTION TO LIST PRICE TO DETERMINE TOTAL LIST PRICE)

<b>AIR GAP (-AG) OPTION</b>	
2-1/2" - 6"	AG Option, Iron Air Gap (AG-6)
8" - 10"	AG Option, Iron Air Gap (AG-7)

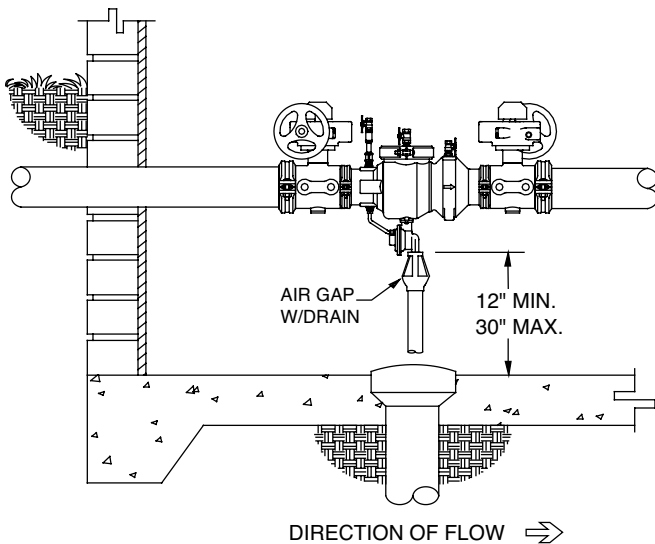
Part number will be designated using "-AG" (e.g. 212-375-AG, 4-375LMFG-AG, 10-375OSYPIG-AG).

<b>FSC STRAINER (FSC) OPTION WITH BOLT KIT, FLANGED X FLANGED CONNECTION</b>	
2-1/2" - 10"	FSC Suffix

Part number will be designated using "FSC" (e.g. 212-375FSC, 4-375OSYFSC, 10-375OSYPIFSC).

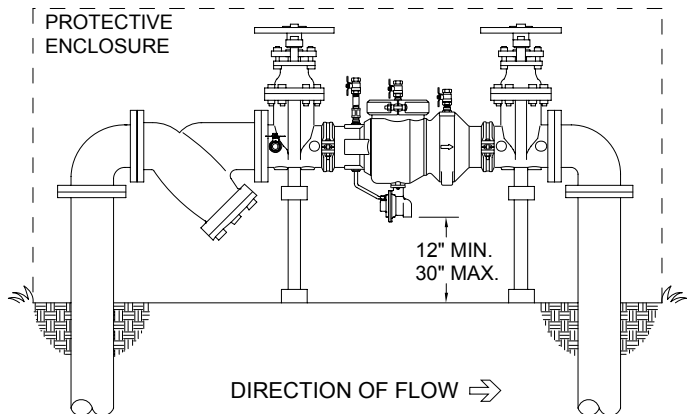
## TYPICAL INSTALLATION

### MODEL 375ABG



### INDOOR INSTALLATION

### MODEL 375AFSC



### OUTDOOR INSTALLATION



## 475ST/475STV SERIES – REDUCED PRESSURE PRINCIPLE ASSEMBLY WITH STAINLESS STEEL BODY



### APPLICATIONS

Designed for drop in replacement of competitor valves and new installation on potable water lines to protect against both backsiphonage and backpressure of contaminated water into the potable water supply. The Model 475ST shall provide protection in a high hazard health application. The configuration 475STV is for applications requiring vertical flow up. Ideal for use where lead-free valves are required.

### FEATURES

- 4" - 10"
- 175 psi max
- 140°F max
- n-Pattern space saving design
- Available in up/down (475ST) or up/up (475STV) configuration
- Stainless steel body
- Direct drop in replacement of competitor valves

### APPROVALS AND APPLICABLE SPECIFICATIONS

- Approved by the Foundation for Cross-Connection Control and Hydraulic Research at the University of Southern California
- ASSE® Listed 1013, UL® Classified, FM® Approved, C-UL® Classified, CSA® Certified, AWWA Compliant C511 (with gates only), and C550
- Certified to NSF/ANSI 61

### ACCESSORIES

- Air gap (Model AG)
- Valve setter (Model FLSST or MJSST or MJFSST)
- OS&Y gate valve supervisory switch (OSY-40)
- Repair kits
- 4" to 3" adaptor (RFK4X3-400ST)

### TYPICAL INSTALLATION

See next page

SIZE	LEAD-FREE PART NUMBER
<b>475ST: FLANGED NRS X FLANGED NRS</b>	
4"	4-475ST
6"	6-475ST
8"	8-475ST
10"	10-475ST

*For grooved options, part number will be designated using "GF", "FG", or "G" (e.g. 4-475STFG, 4-475STGF, 4-475STG)*

SIZE	LEAD-FREE PART NUMBER
<b>475STOSY: FLANGED OSY X FLANGED OSY</b>	
4"	4-475STOSY
6"	6-475STOSY
8"	8-475STOSY
10"	10-475STOSY

*For grooved options, part number will be designated using "GF", "FG", or "G" (e.g. 4-475STOSYFG, 4-475STOSYGF, 4-475STOSYG)*

SIZE	LEAD-FREE PART NUMBER
<b>475STBG: GROOVED BG X GROOVED BG (TAMPURED BUTTERFLY VALVES)</b>	
4"	4-475STBG
6"	6-475STBG
8"	8-475STBG
10"	10-475STBG

SIZE	LEAD-FREE PART NUMBER
<b>475STBF: FLANGED BF X FLANGED BF (TAMPURED BUTTERFLY VALVES)</b>	
4"	4-475STBF
6"	6-475STBF
8"	8-475STBF
10"	10-475STBF

SIZE	LEAD-FREE PART NUMBER
<b>475STPI: FLANGED PI X FLANGED PI</b>	
4"	4-475STPI
6"	6-475STPI
8"	8-475STPI
10"	10-475STPI

SIZE	LEAD-FREE PART NUMBER
<b>475STV: FLANGED NRS X FLANGED NRS</b>	
4"	4-475STV
6"	6-475STV
8"	8-475STV
10"	10-475STV

SIZE	LEAD-FREE PART NUMBER
<b>475STVOSY: FLANGED OSY X FLANGED OSY</b>	
4"	4-475STVOSY
6"	6-475STVOSY
8"	8-475STVOSY
10"	10-475STVOSY

SIZE	LEAD-FREE PART NUMBER
<b>475STVPI: FLANGED PI X FLANGED PI</b>	
4"	4-475STVPI
6"	6-475STVPI
8"	8-475STVPI
10"	10-475STVPI

SIZE	LEAD-FREE PART NUMBER
<b>475STVBG: GROOVED BG X GROOVED BG (TAMPURED BUTTERFLY VALVES)</b>	
4"	4-475STVBG
6"	6-475STVBG
8"	8-475STVBG
10"	10-475STVBG

SIZE	LEAD-FREE PART NUMBER
<b>475STVBF: FLANGED BF X FLANGED BF (TAMPURED BUTTERFLY VALVES)</b>	
4"	4-475STVBF
6"	6-475STVBF
8"	8-475STVBF
10"	10-475STVBF

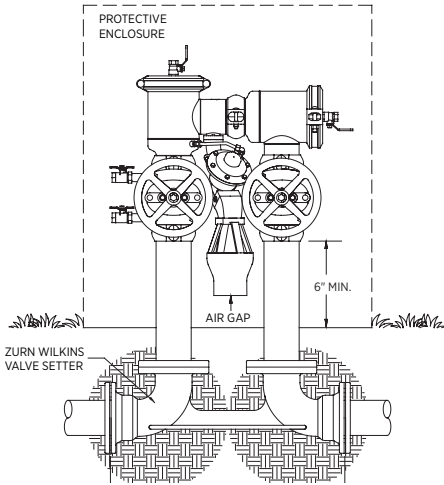
SIZE	LEAD-FREE PART NUMBER
<b>475STR: FLANGED NRS X FLANGED NRS REPLACEMENT BACKFLOW</b>	
4"	4-475STR
6"	6-475STR
8"	8-475STR
10"	10-475STR

SIZE	LEAD-FREE PART NUMBER
<b>475STROSY: FLANGED NRS X FLANGED NRS REPLACEMENT BACKFLOW</b>	
4"	4-475STROSY
6"	6-475STROSY
8"	8-475STROSY
10"	10-475STROSY

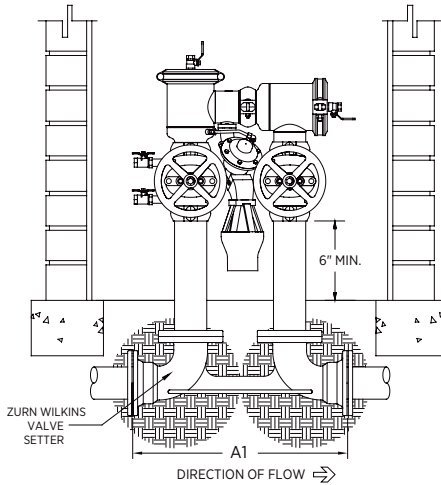
SIZE	LEAD-FREE PART NUMBER
<b>475STRV: FLANGED NRS X FLANGED NRS REPLACEMENT BACKFLOW</b>	
4"	4-475STRV
6"	6-475STRV
8"	8-475STRV
10"	10-475STRV

# 475ST/475STV SERIES – REDUCED PRESSURE PRINCIPLE ASSEMBLY WITH STAINLESS STEEL BODY (CONTINUED)

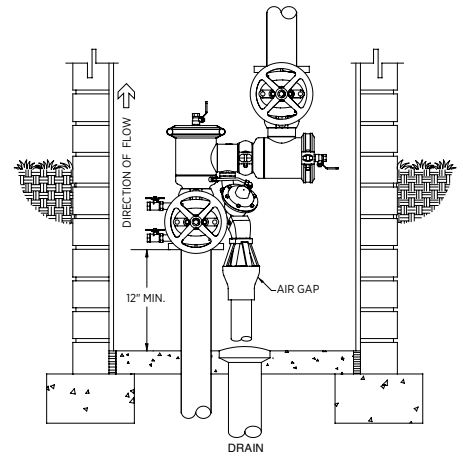
## TYPICAL INSTALLATION



**OUTDOOR INSTALLATION**



**INDOOR INSTALLATION**



**VERTICAL INSTALLATION**

BACKFLOW PREVENTERS

BACKFLOW PREVENTERS ACCESSORIES

STRAINERS

AUTOMATIC CONTROL VALVES

PRESSURE REDUCING VALVES

FIRE PROTECTION VALVES

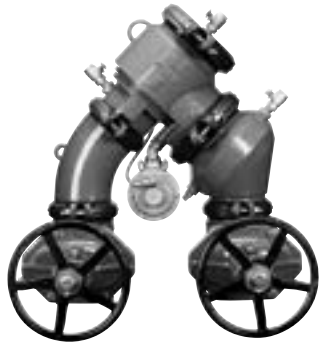
THERMOSTATIC MIXING VALVES

RELIEF VALVES

MISCELLANEOUS PLUMBING PRODUCTS

REPAIR KITS

# 475/475V SERIES – REDUCED PRESSURE PRINCIPLE ASSEMBLY



## APPLICATIONS

A compact reduced pressure principle assembly in the "n" pattern for new or retrofit installations in tight locations. Also available as a 475V for vertical flow path.

## FEATURES

- 2-1/2" - 10"
- 2-1/2" and 3" sizes use 375 with 90° elbows
- 175 psi max
- 140°F max
- n-Pattern space saving design
- Available in up/down (475) or up/up (475V) configuration
- Epoxy coated ductile iron body
- Utilizes modular, center-stem guided Compound Check

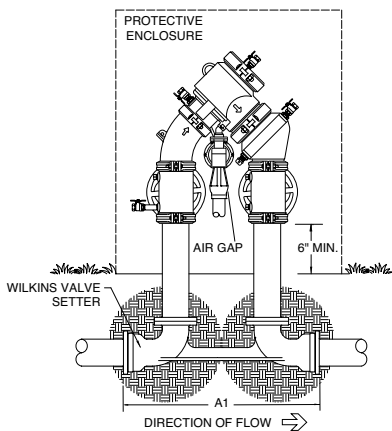
## APPROVALS AND APPLICABLE SPECIFICATIONS

- Approved by the Foundation for Cross-Connection Control and Hydraulic Research at the University of Southern California
- ASSE® Listed 1013, UL® Classified, FM® Approved, C-UL® Classified, cUPC® Listed, CSA® Certified, AWWA Compliant
- Certified to NSF/ANSI 61 and 372

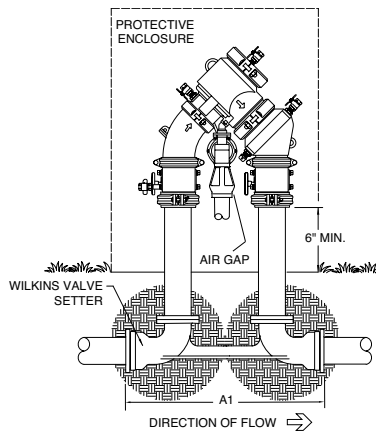
## ACCESSORIES

- Air gap (Model AG)
- Valve setter (Model FLS or MJS or MJFS)
- Repair kits

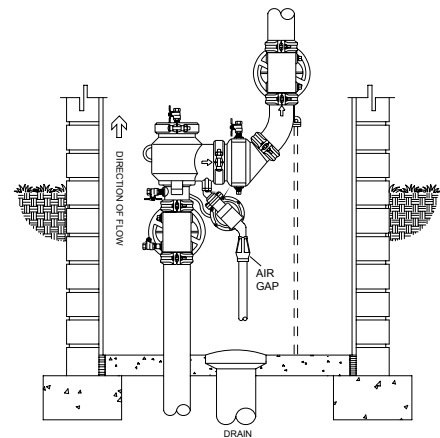
## TYPICAL INSTALLATION



**OUTDOOR INSTALLATION**  
MODEL 475G



**OUTDOOR INSTALLATION**  
MODEL 475BG



**VERTICAL INSTALLATION**  
MODEL 475VG

SIZE	LEAD-FREE PART NUMBER
<b>475: FLANGED NRS X FLANGED NRS</b>	
2-1/2"	212-475
3"	3-475
4"	4-475
6"	6-475
8"	8-475
10"	10-475

For grooved options, part number will be designated using "GF", "FG" or "G" (e.g. 212-475FG, 4-475GF, 10-475G).

SIZE	LEAD-FREE PART NUMBER
<b>475OSY: FLANGED OSY X FLANGED OSY</b>	
2-1/2"	212-475OSY
3"	3-475OSY
4"	4-475OSY
6"	6-475OSY
8"	8-475OSY
10"	10-475OSY

For grooved options, part number will be designated using "GF", "FG" or "G" (e.g. 212-475OSYFG, 4-475OSYGF, 10-475OSYG).

SIZE	LEAD-FREE PART NUMBER
<b>475BG: GROOVED BG X GROOVED BG (TAMPERS BUTTERFLY VALVES)</b>	
4"	4-475BG
6"	6-475BG
8"	8-475BG
10"	10-475BG

SIZE	LEAD-FREE PART NUMBER
<b>475BF: FLANGED BF X FLANGED BF (TAMPERS BUTTERFLY VALVES)</b>	
4"	4-475BF
6"	6-475BF
8"	8-475BF
10"	10-475BF

SIZE	LEAD-FREE PART NUMBER
<b>475 OSY AND PI SHUT-OFF VALVE COMBINATIONS</b>	
2-1/2" - 10"	OSY & PI GATE VALVES

For grooved options, part number will be designated using "GF", "FG" or "G" (e.g. 212-475PIOSYFG, 4-475OSYPIGF, 10-475OSYPIG).

## OPTIONS AND LIST PRICE ADDERS (ADD OPTION TO LIST PRICE TO DETERMINE TOTAL LIST PRICE)

### AIR GAP (-AG) OPTION

2-1/2" - 6" AG Option, Iron Air Gap (AG-6)  
8" - 10" AG Option, Iron Air Gap (AG-7)

Part number will be designated using "-AG" (e.g. 212-475-AG, 6-475LMFG-AG, 10-475OSYPIG-AG).

### FSC STRAINER (FSC) OPTION WITH BOLT KIT, FLANGED X FLANGED CONNECTION

2-1/2" - 10" FSC Suffix

Part number will be designated using "FSC" (e.g. 212-475FSC, 4-475OSYFSC, 10-475OSYPIFSC).

## 475/475V SERIES – REDUCED PRESSURE PRINCIPLE ASSEMBLY (CONTINUED)

SIZE	LEAD-FREE PART NUMBER
------	-----------------------

**475V: FLANGED NRS X FLANGED NRS**

2-1/2"	212-475V
3"	3-475V
4"	4-475V
6"	6-475V
8"	8-475V
10"	10-475V

*For grooved options, part number will be designated using "GF", "FG" or "G" (e.g. 212-475VFG, 4-475VGF, 10-475VG).*

**475VOSY: FLANGED OSY X FLANGED OSY**

2-1/2"	212-475VOSY
3"	3-475VOSY
4"	4-475VOSY
6"	6-475VOSY
8"	8-475VOSY
10"	10-475VOSY

*For grooved options, part number will be designated using "GF", "FG" or "G" (e.g. 212-475VOSYFG, 4-475VOSYGF, 10-475VOSYVG).*

**475VBG: GROOVED BG X GROOVED BG (TAMPED BUTTERFLY VALVES)**

4"	4-475VBG
6"	6-475VBG
8"	8-475VBG
10"	10-475VBG

**475VBF: FLANGED BF X FLANGED BF (TAMPED BUTTERFLY VALVES)**

4"	4-475VBF
6"	6-475VBF
8"	8-475VBF
10"	10-475VBF

**475V WITH OSY AND PI SHUT-OFF VALVE COMBINATIONS**

2-1/2"-10"	OSY & PI GATE VALVES
------------	----------------------

*For grooved options, part number will be designated using "GF", "FG" or "G" (e.g. 212-475VPIOSYFG, 4-475VOSYPIGF, 10-475VOSYPIG).*

**OPTIONS AND LIST PRICE ADDERS  
(ADD OPTION TO LIST PRICE TO DETERMINE TOTAL LIST PRICE)**

**AIR GAP (-AG) OPTION**

2-1/2" - 3"	AG Option, Iron Air Gap (AG-6)
4" - 6"	AG Option, Iron Air Gap (AG-9)
8" - 10"	AG Option, Iron Air Gap (AG-10)

*Part number will be designated using "-AG" (e.g. 212-475V-AG, 6-475VLMFG-AG, 10-475VOSYPIG-AG).*

BACKFLOW PREVENTERS

BACKFLOW PREVENTERS ACCESSORIES

STRAINERS

AUTOMATIC CONTROL VALVES

PRESSURE REDUCING VALVES

FIRE PROTECTION VALVES

THERMOSTATIC MIXING VALVES

RELIEF VALVES

MISCELLANEOUS PLUMBING PRODUCTS

REPAIR KITS

# 375W1/375AW1/375ASTW1 SERIES AND W1 RETROFIT KIT - CONNECTED BACKFLOW W/ WIRELESS MONITOR (2-1/2" - 10")



## APPLICATIONS

Ideal for use in mechanical rooms, basements and enclosures where undetected relief valve discharge could potentially cause water damage. The controller monitors zone pressure and relief valve position and sends this data by wireless to the cloud. This data is processed to determine how much water is being discharged, then notifications are sent to the user as desired. Designed for plumbing, waterworks, and irrigation systems.

## FEATURES

- Sizes 2-1/2" - 10" - Reduced Pressure Principle Backflow Preventer with Integral Relief Valve Monitor (Model 375W1, 375AW1, 375ASTW1 - Connected Backflow w/Wireless Monitor)
- 175 psi max
- 140°F max
- Transmits relief water discharge data via plumbSMART™, a secure web portal with 24/7 access
- Customizable alert parameters
- Opt in to real-time notifications via email or text
- Dashboard-style device alerts, performance data and trends

## APPROVALS AND APPLICABLE SPECIFICATIONS

- Approved by the Foundation for Cross Connection Control and Hydraulic Research at the University of Southern California
- AWWA Compliant C511 (with gates only) and C550
- ASSE® Listed 1013
- cUPC® Listed
- Meets the requirements of NSF/ANSI 61

## IMPORTANT

Completed order form required. Order form can be found on [zurn.com](http://zurn.com) under Related Documents of Connected Backflow.

## TYPICAL INSTALLATION

Local codes shall govern installation requirements. Unless otherwise specified, the assembly shall be mounted at a minimum of 12" (305 mm) and a maximum of 30" (762 mm) above adequate drains with sufficient side clearance for testing and maintenance. The installation shall be made so that no part of the unit can be submerged.

SIZE	LEAD-FREE PART NUMBER
<b>375W1: FLANGED NRS X FLANGED NRS</b>	
2-1/2"	212-375W1
3"	3-375W1
4"	4-375W1
6"	6-375W1
8"	8-375W1
10"	10-375W1

SIZE	LEAD-FREE PART NUMBER
<b>375W1OSY: FLANGED OSY X FLANGED OSY</b>	
2-1/2"	212-375W1OSY
3"	3-375W1OSY
4"	4-375W1OSY
6"	6-375W1OSY
8"	8-375W1OSY
10"	10-375W1OSY

SIZE	LEAD-FREE PART NUMBER
<b>375AW1: FLANGED NRS X FLANGED NRS</b>	
2-1/2"	212-375AW1
3"	3-375AW1
4"	4-375AW1
6"	6-375AW1
8"	8-375AW1
10"	10-375AW1

SIZE	LEAD-FREE PART NUMBER
<b>375AW1OSY: FLANGED OSY X FLANGED OSY</b>	
2-1/2"	212-375AW1OSY
3"	3-375AW1OSY
4"	4-375AW1OSY
6"	6-375AW1OSY
8"	8-375AW1OSY
10"	10-375AW1OSY

SIZE	LEAD-FREE PART NUMBER
<b>375ASTW1: STAINLESS STEEL BACKFLOW, FLANGED NRS X FLANGED NRS</b>	
2-1/2"	212-375ASTW1
3"	3-375ASTW1
4"	4-375ASTW1
6"	6-375ASTW1
8"	8-375ASTW1
10"	10-375ASTW1

SIZE	LEAD-FREE PART NUMBER
<b>375ASTW1OSY: STAINLESS STEEL BACKFLOW, FLANGED OSY X FLANGED OSY</b>	
2-1/2"	212-375ASTW1OSY
3"	3-375ASTW1OSY
4"	4-375ASTW1OSY
6"	6-375ASTW1OSY
8"	8-375ASTW1OSY
10"	10-375ASTW1OSY

For grooved options, part number will be designated using "GF", "FG" or "G" (e.g. 212-375W1GF, 4-375W1FG, 10-375W1G).

## OPTIONS AND LIST PRICE ADDERS (ADD OPTION TO LIST PRICE TO DETERMINE TOTAL LIST PRICE)

### AIR GAP (-AG) OPTION

2-1/2" - 6"	AG Option, Iron Air Gap (AG-6)
8" - 10"	AG Option, Iron Air Gap (AG-7)
<i>Part number will be designated using "-AG" (e.g. 212-375W1-AG).</i>	

### FSC STRAINER (FSC) OPTION WITH BOLT KIT, FLANGED X FLANGED CONNECTION (E.G. 212-375W1FSC)

2-1/2" - 10"	FSC Suffix
<i>Part number will be designated using "FSC" (e.g. 212-375W1FSC).</i>	

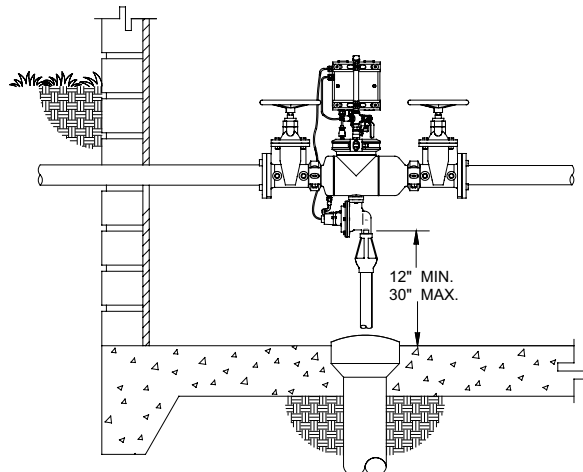
## GATEWAY

DESCRIPTION	LEAD-FREE PART NUMBER
Ethernet Gateway	ZGW-LORA-W1-ETH
LTE Cellular Gateway	ZGW-LORA-W1-LTE

## W1 RETROFIT KIT

DESCRIPTION	LEAD-FREE PART NUMBER
W1 Retrofit Kit for Zurn Wilkins RP Valve: 2-1/2" - 6"	212-6-RFK-375W1
W1 Retrofit Kit for Zurn Wilkins RP Valve: 6" - 10"	6-10-RFK-375W1

## TYPICAL INSTALLATION



# FCIS SERIES – CONNECTED FLOOD CONTROL SYSTEM (2-1/2" - 10") / FLOOD CONTROL INTEGRATED SYSTEM (1-1/4" - 2")



## APPLICATIONS

For the prevention of catastrophic flooding in indoor applications. Automatically shuts off the water supply in the event of relief valve discharge. Designed for plumbing, waterworks, and irrigation systems.

## FEATURES

- 1-1/4" - 2" (FCIS with EST)
- 2-1/2" - 10" (FCIS Connected)
- 175 psi max
- 140°F max
- Sizes 1-1/4" - 2" - Reduced Pressure Principle Backflow Preventer with Monitor Switch (Model 975XL2MSFC)
- Sizes 2-1/2" - 10" - Reduced Pressure Principle Backflow Preventer with Integral Relief Valve Monitor Switch (Model 375W1, 375AW1, 375ASTW1 - Connected Backflow w/Wireless Monitor)
- Sizes 1-1/4" - 2" - Electronic Solenoid Timer (Model EST) attached to a Solenoid Control Valve (Model ZW206) to shut off the water supply
- Sizes 2-1/2" - 10" - Zurn Connected Endpoint Controller attached to a Solenoid Control Valve (Model ZW206) to shut off the water supply
- Sizes 1-1/4" - 2" - threaded NPT end connections
- Sizes 2-1/2" - 10" - grooved or flanged end connections
- Quick disconnect connectors
- Alarm Output contacts
- Ships as two components

## IMPORTANT

Completed order form required. Order form can be found on [zurn.com](http://zurn.com) under Related Documents of FCIS.

## TYPICAL INSTALLATION

Sizes 1-1/4" - 2":

CAUTION: To prevent water damage, an adequately sized drain MUST still be installed to handle water discharge from the backflow relief valve.

Sizes 2-1/2" - 10":

CAUTION: To prevent water damage, an adequately sized drain MUST still be installed to handle water discharge from the backflow relief valve. The relief valve monitor senses relief valve position and zone pressure to determine discharged water volume. When it has measured 50 gallons of continuous discharge it will shut off the inlet water supply. This shut off threshold may be modified via our secure web portal, [plumbSMART™](http://plumbSMART.com) by authorized users, and will remain an active function of the Connected Flood Control System regardless of Internet connection or Portal subscription status. Designated users of the Portal may also receive alerts and notifications via email and/or text message when discharge exceeds preset thresholds and when inlet water supply has been shut off.

SIZE	LEAD-FREE PART NUMBER
<b>FCIS: NPT X NPT</b>	
1-1/4"	114-FCIS
1-1/2"	112-FCIS
2"	2-FCIS
<b>FCIS: FLANGED NRS X FLANGED NRS</b>	
2-1/2"	212-FCIS
3"	3-FCIS
4"	4-FCIS
6"	6-FCIS
8"	8-FCIS
10"	10-FCIS
<b>FCISOSY: FLANGED OSY X FLANGED OSY</b>	
2-1/2"	212-FCISOSY
3"	3-FCISOSY
4"	4-FCISOSY
6"	6-FCISOSY
8"	8-FCISOSY
10"	10-FCISOSY
<b>FCISAST: STAINLESS STEEL BACKFLOW, FLANGED NRS X FLANGED NRS</b>	
2-1/2"	212-FCISAST
3"	3-FCISAST
4"	4-FCISAST
6"	6-FCISAST
8"	8-FCISAST
10"	10-FCISAST
<b>FCISASTOSY: STAINLESS STEEL BACKFLOW, FLANGED OSY X FLANGED OSY</b>	
2-1/2"	212-FCISASTOSY
3"	3-FCISASTOSY
4"	4-FCISASTOSY
6"	6-FCISASTOSY
8"	8-FCISASTOSY
10"	10-FCISASTOSY

*For grooved options, part number will be designated using "GF", "FG" or "G" (e.g. 212-FCISGF, 4-FCISFG, 10-FCISG).*

## OPTIONS AND LIST PRICE ADDERS (ADD OPTION TO LIST PRICE TO DETERMINE TOTAL LIST PRICE)

AIR GAP (-AG) OPTION	
1-1/4" - 2"	AG Option, Iron Air Gap (AG-5)
2-1/2" - 6"	AG Option, Iron Air Gap (AG-6)
8" - 10"	AG Option, Iron Air Gap (AG-7)

*Part number will be designated using "-AG" (e.g. 212-FCIS-AG).*

## FSC STRAINER (FSC) OPTION WITH BOLT KIT, FLANGED X FLANGED CONNECTION (E.G. 212-FCISFSC)

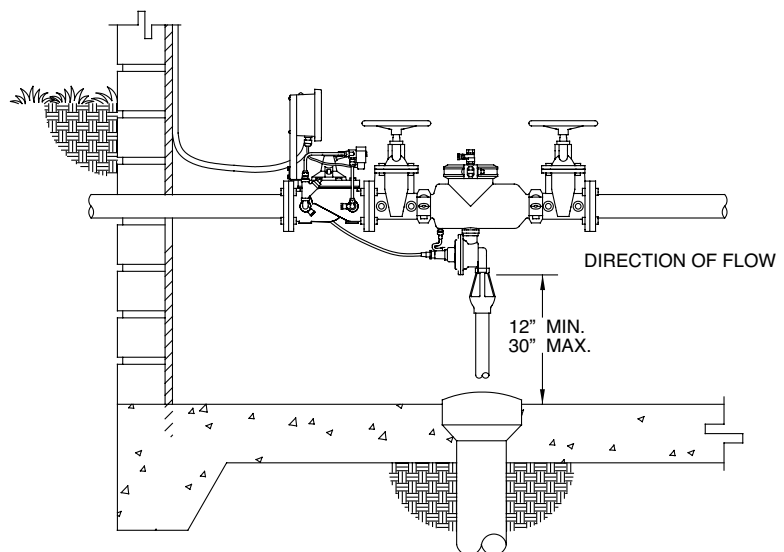
2-1/2" - 10"	FSC Suffix
--------------	------------

*Part number will be designated using "FSC" (e.g. 212-FCISFSC).*

## GATEWAY

DESCRIPTION	LEAD-FREE PART NUMBER
Ethernet Gateway	ZGW-LORA-W1-ETH
LTE Cellular Gateway	ZGW-LORA-W1-LTE

## TYPICAL INSTALLATION



## ZCSM-PF AND ZCSM-BTM - CONNECTED PRESSURE MONITOR (ZCSM-PF) WITH OPTIONAL CONNECTED FLOW METER (ZCSM-BTM)

NEW



SIZE	LEAD-FREE PART NUMBER
<b>ZCSM-PF: CONNECTED PRESSURE MONITOR</b>	
2-1/2" - 12"	ZCSM-PF
SIZE	LEAD-FREE PART NUMBER
<b>ZCSM-BTM: CONNECTED FLOW METER</b>	
3"	3-ZCSM-BTM
4"	4-ZCSM-BTM
6"	6-ZCSM-BTM
8"	8-ZCSM-BTM
10"	10-ZCSM-BTM

### ZCSM-PF APPLICATIONS

Designed for use and installation on 2-1/2" – 12" Zurn Wilkins backflow prevention valves to continually monitor your plumbing system water pressure. The ZCSM-PF Connected Pressure Monitor transmits plumbing system pressure data 24/7 to the Zurn plumbSMART™ web portal and mobile app. Proactively monitor your incoming water pressure, receive real-time alerts for preset high and low pressure parameters, and access system data for trends and predictive maintenance anytime and anywhere.

### ZCSM-PF FEATURES

- Maximum working water pressure of 200 PSI
- Proactively monitor your incoming water pressure
- Receive real-time text and/or email alerts for preset high and low pressure
- View performance data and trends via a secure web portal with 24/7 remote access
- The Flow Meter option (ZCSM-BTM) is an optional upgrade combined with the Zurn Connected Pressure Monitor (ZCSM-PF)

### APPROVALS AND APPLICABLE SPECIFICATIONS

- Meets the requirements of NSF/ANSI 61

### IMPORTANT

The ZCSM-PF Connected Pressure Monitor must be ordered in combination with a Zurn Wilkins Backflow Preventer.

The ZCSM-BTM Connected Flow Meter option is an available upgrade combined with the ZCSM-PF Connected Pressure Monitor (ZCSM-PF). The ZCSM-PF with optional ZCSM-BTM must be ordered in combination with a Zurn Wilkins Backflow Preventer. The ZCSM-PF Connected Pressure Monitor and ZCSM-BTM Connected Flow Meter option must have a one Zurn Gateway installed within a 1,000 ft radius. Communicates via Ethernet or LTE.

### ZCSM-BTM APPLICATIONS

Designed for use with 3" – 10" Zurn Wilkins backflow prevention valves to continually monitor water flow and consumption. This turbine water meter with electronic register can be installed either upstream or downstream of the backflow preventer. It connects with the ZCSM-PF Connected Pressure Monitor to transmit flow and consumption data to plumbSMART™.

### ZCSM-BTM FEATURES

- Monitor water flow rate and incoming water pressure
- Receive real-time text and/or email alerts for water waste and preset high and low pressure
- View performance data and trends via a secure web portal with 24/7 remote access
- Optional upgrade available for all Double Check Backflow Preventers or Reduced Pressure Principle Backflow Preventers 3" or larger
- Opt in to real-time notifications via email or text
- Dashboard-style device alerts, performance data and trends
- The Flow Meter option (ZCSM-BTM) is an available upgrade combined with the Zurn Connected Pressure Monitor (ZCSM-PF)

### GATEWAY

DESCRIPTION	LEAD-FREE PART NUMBER
Ethernet Gateway	ZGW-LORA-W1-ETH
LTE Cellular Gateway	ZGW-LORA-W1-LTE

### ZCSM-PF TYPICAL INSTALLATION

Typical Installation on 4" Model 375AST backflow preventer, shown with ZCSM-PF Connected Pressure Monitor



### ZCSM-PF WITH ZCSM-BTM TYPICAL INSTALLATION

Typical Installation on 4" Model 375AST backflow preventer, shown with ZCSM-PF Connected Pressure Monitor and 4-ZCSM-BTM Connected Flow Meter upgrade



## 975XLHBM SERIES - HYDRANT BACKFLOW AND METER VALVE



### APPLICATIONS

Combines a meter and backflow preventer in a common package. Helps maintain water quality while generating revenue for the water purveyor.

### FEATURES

- 2"
- 175 psi max
- 180°F max
- Maximum intermittent flow rate of 250 gpm
- Maximum continuous flow rate of 160 gpm
- Outlet shutoff valve allows for easy flow adjustment
- NSFHT adapters allow for connection to 2-1/2" fire hydrant (inlet) and 2-1/2" fire hose (outlet)

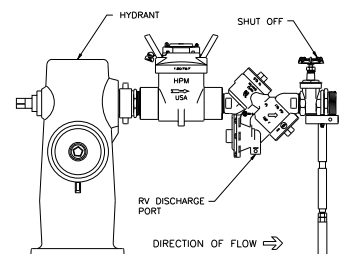
### APPROVALS AND APPLICABLE SPECIFICATIONS

- Meter portion meets the requirements of ANSI / AWWA C701-88 Class II
- Meets the design requirements of most national standards. Due to the portability of the assembly, there are no national approvals available

### ACCESSORIES

- Breakaway Hydrant Lock for barrel lock (BHLB)
- Breakaway Hydrant Lock for padlock (BHLP)

### TYPICAL INSTALLATION



## RPHBM SERIES - HIGH CAPACITY HYDRANT BACKFLOW AND METER COMBINATION



### APPLICATIONS

Combines a meter and backflow preventer in a common package. Helps maintain water quality while generating revenue for the water purveyor.

### FEATURES

- 3"
- 175 psi max
- 140°F max
- Max intermittent flow rate 650 gpm
- Max continuous flow rate 450 gpm
- Min flow rate 2½ gpm
- Epoxy coated aluminum body with approved internal components and relief valve

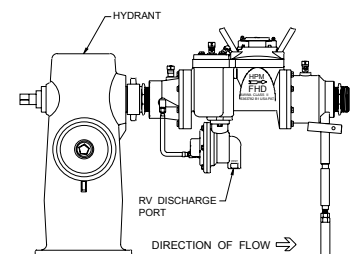
### APPROVALS AND APPLICABLE SPECIFICATIONS

- Meets the requirements of ANSI/AWWA C701-88 class II (for meter only)
- Meets the design requirements of most national standards. Due to the portability of the assembly, there are no national approvals available

### ACCESSORIES

- Breakaway hydrant lock for barrel lock (BHLB)
- Breakaway hydrant lock for padlock (BHLP)

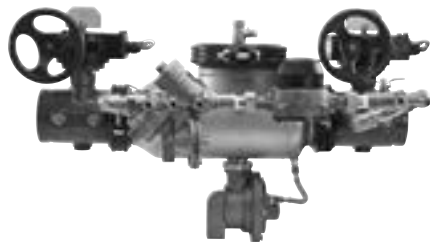
### TYPICAL INSTALLATION



SIZE	INLET X OUTLET CONNECTIONS / OPTIONS	LEAD-FREE EXEMPT PART NUMBER
<b>2" HBM</b>		
2"	2-1/2" Swivel FNH X 2-1/2" MNH, GPM Meter	2-975XLHBM
2"	2-1/2" Swivel FNH X 2-1/2" MNH, CFM Meter	2-975XLHBMCFM
2"	2-1/2" Swivel FNH X 2-1/2" MNH, Cubic Meter Register	2-975XLHBMCM
2"	2-1/2" Swivel FNH X 2-1/2" MNH, Less Meter	2-975XLHBMML
2"	2-1/2" FNPT x 2" MNPT, GPM Meter, Less Hose Connections	2-975XLHBMML
2"	2-1/2" FNPT x 2" MNPT, CFM Meter, Less Hose Connections	2-975XLHBMCFML
2"	2-1/2" FNPT x 2" MNPT, Cubic Meter Register, Less Hose Connections	2-975XLHBMCMML
2"	2" MNPT x 2" MNPT, Less Hose Connections, Less Meter	2-975XLHBMML
<b>3" RPHBM</b>		
3"	2-1/2" Swivel FNH X 2-1/2" MNH, GPM Meter	3-RPHBM
3"	2-1/2" Swivel FNH X 2-1/2" MNH, CFM Meter	3-RPHBMCFM
3"	2-1/2" Swivel FNH X 2-1/2" MNH, GPM Meter, NRS Outlet Gate Valve	3-RPHBMGV
3"	2-1/2" Swivel FNH X 2-1/2" MNH, CFM Meter, NRS Outlet Gate Valve	3-RPHBMCFMGV
<b>HBM ACCESSORIES</b>		
2"	HBM Adjustable Support Stand, For 2" 975XLHBM	HBM-55
3"	HBM Adjustable Support Stand, For 3" RPHBM	HBM-55A
	Breakaway Hydrant Lock for Padlock (Lock Not Included)	HBM-BHLP
	Breakaway Hydrant Lock for Barrel Lock (Lock Not Included)	HBM-BHLB



# 375ASTDA SERIES – REDUCED PRESSURE PRINCIPLE DETECTOR ASSEMBLY WITH STAINLESS STEEL BODY



## APPLICATIONS

Fire protection Reduced Pressure Principal Assembly constructed around a corrosion resistant, stainless steel body. Used in high health hazard applications.

## FEATURES

- 2-1/2" - 10"
- 175 psi max
- 140°F max
- Grooved or flanged end connections
- Improved Compound Check design
- Lower maintenance costs from corrosion resistance of stainless body

## APPROVALS AND APPLICABLE SPECIFICATIONS

- Approved by the Foundation for Cross Connection Control and Hydraulic Research at the University of Southern California
- ASSE® Listed 1047, AWWA Compliant C550, UL® Classified, C-UL® Classified, FM® Approved, CSA® Certified
- Certified to NSF/ANSI 61 and 372

## ACCESSORIES

- Air gap (Model AG)
- OS&Y gate valve tamper switch (OSY-40)
- Available with CFM water meter (5/8" x 3/4")
- Repair kits

## TYPICAL INSTALLATION

See next page

SIZE	LEAD-FREE PART NUMBER
<b>375ASTDA: FLANGED OSY X FLANGED OSY</b>	
2-1/2"	212-375ASTDA
3"	3-375ASTDA
4"	4-375ASTDA
6"	6-375ASTDA
8"	8-375ASTDA
10"	10-375ASTDA

For grooved options, part number will be designated using "GF", "FG" or "G" (e.g. 212-375ASTDAFG, 4-375ASTDAGF, 10-375ASTDAG).

SIZE	LEAD-FREE PART NUMBER
<b>375ASTDAPI: FLANGED PI X FLANGED PI</b>	
2-1/2"	212-375ASTDAPI
3"	3-375ASTDAPI
4"	4-375ASTDAPI
6"	6-375ASTDAPI
8"	8-375ASTDAPI
10"	10-375ASTDAPI

For grooved options, part number will be designated using "GF", "FG" or "G" (e.g. 212-375ASTDAPIFG, 4-375ASTDAPIGF, 10-375ASTDAPIG).

SIZE	LEAD-FREE PART NUMBER
<b>375ASTDABG: GROOVED BG X GROOVED BG (TAMPED BUTTERFLY VALVES)</b>	
2-1/2"	212-375ASTDABG
3"	3-375ASTDABG
4"	4-375ASTDABG
6"	6-375ASTDABG
8"	8-375ASTDABG
10"	10-375ASTDABG

SIZE	LEAD-FREE PART NUMBER
<b>375ASTDABF: FLANGED BF X FLANGED BF (TAMPED BUTTERFLY VALVES)</b>	
2-1/2"	212-375ASTDABF
3"	3-375ASTDABF
4"	4-375ASTDABF
6"	6-375ASTDABF
8"	8-375ASTDABF
10"	10-375ASTDABF

SIZE	LEAD-FREE PART NUMBER
<b>375ASTDA WITH OSY AND PI SHUT-OFF VALVE COMBINATIONS</b>	
2-1/2" - 10"	OSY & PI GATE VALVES

For grooved options, part number will be designated using "GF", "FG" or "G" (e.g. 212-375ASTDAPIOSYFG, 4-375ASTDAOSYPIGF, 10-375ASTDAOSYPIG).

## OPTIONS AND LIST PRICE ADDERS (ADD OPTION TO LIST PRICE TO DETERMINE TOTAL LIST PRICE)

### CUBIC FEET METER (CFM) OPTION

2-1/2" - 10" CFM Suffix

Part number will be designated using "CFM" (e.g. 212-375ASTDACFM, 4-375ASTDACFMFG, 10-375ASTDACFMOSYPIG).

### LESS METER (LM) OPTION

2-1/2" - 10" LM Suffix

Part number will be designated using "LM" (e.g. 212-375ASTDALM, 4-375ASTDALMFG, 10-375ASTDALMOSYPIG).

### AIR GAP (-AG) OPTION

2-1/2" - 6" AG Option, Iron Air Gap (AG-6)

8" - 10" AG Option, Iron Air Gap (AG-7)

Part number will be designated using "-AG" (e.g. 212-375ASTDA-AG, 4-375ASTDALMFG-AG, 10-375ASTDAOSYPIG-AG).

### FSC STRAINER (FSC) OPTION WITH BOLT KIT, FLANGED X FLANGED CONNECTION

2-1/2" - 10" FSC Suffix

Part number will be designated using "FSC" (e.g. 212-375ASTDAFSC, 4-375ASTDAFSC, 10-375ASTDAOSYPIFSC).

### 300AR SERIES - REPLACEMENT BACKFLOW ASSEMBLY (2-1/2" - 10")

Custom Length Double Check Valve Assembly for drop in replacements. Stainless Steel Grooved x Grooved Nipple Installed Between the Backflow Valve and the Outlet Shut-Off Valve. Can be used with grooved backflow models. For replacement of longer lay-length backflow preventers.

375ASTDAR list price adder to be added to list price of the 375ASTDA to determine total list price.

See order form and product specification sheet on the website for details and options.

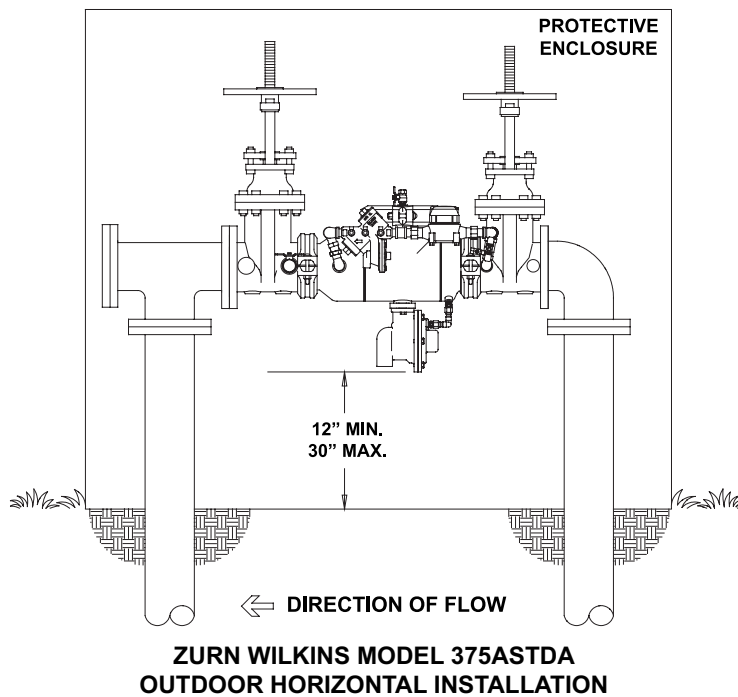
### INLET X OUTLET CONNECTIONS / OPTIONS

SIZE	INLET X OUTLET CONNECTIONS / OPTIONS
2-1/2"	Length Range: Up to 47-1/8"
3"	Length Range: Up to 48-1/8"
4"	Length Range: Up to 62-1/4"
6"	Length Range: Up to 71-1/4"
8"	Length Range: Up to 86"
10"	Length Range: Up to 100-5/8"

Part number will be designated using "375ASTDAR-A".

# 375ASTDA SERIES – REDUCED PRESSURE DETECTOR ASSEMBLY WITH STAINLESS STEEL BODY

## TYPICAL INSTALLATION



BACKFLOW  
PREVENTERS

BACKFLOW PREVENTERS  
ACCESSORIES

STRAINERS

AUTOMATIC  
CONTROL VALVES

PRESSURE  
REDUCING VALVES

FIRE  
PROTECTION VALVES

THERMOSTATIC  
MIXING VALVES

RELIEF VALVES

MISCELLANEOUS  
PLUMBING PRODUCTS

REPAIR KITS

# 375ADA/375DA SERIES – REDUCED PRESSURE PRINCIPLE DETECTOR ASSEMBLY



## APPLICATIONS

Ideal for fire protection applications. Epoxy coated, ductile iron Zurn Wilkins 375ADA Reduced Pressure Principal Valve Assembly with integral by-pass consisting of a water meter in series with a Reduced Pressure Principal backflow preventer.

## FEATURES

- 2-1/2" - 10"
- 175 psi max
- 140°F max
- Resilient wedge OS&Y gate valves standard
- Epoxy-coated ductile iron body
- Modular, Center-Stem Guided Compound Checks

## APPROVALS AND APPLICABLE SPECIFICATIONS

- Approved by the Foundation for Cross-Connection Control and Hydraulic Research at the University of Southern California
- ASSE Listed 1047 375DA, UL Classified, FM Approved, C-UL Classified
- Certified to NSF/ANSI 61 and 372

## ACCESSORIES

- Air gap (Model AG)
- OS&Y gate valve supervisory switch (OSY-40)
- Available with CFM water meter (5/8" x 3/4")
- Repair kits

## TYPICAL INSTALLATION

See next page

SIZE	LEAD-FREE PART NUMBER
<b>375ADA: FLANGED OSY X FLANGED OSY</b>	
2-1/2"	212-375ADA
3"	3-375ADA
4"	4-375ADA
6"	6-375ADA
8"	8-375ADA
10"	10-375ADA

*For grooved options, part number will be designated using "GF", "FG" or "G" (e.g. 212-375ADAFG, 4-375ADAGF, 10-375ADAG).*

SIZE	LEAD-FREE PART NUMBER
<b>375ADAPI: FLANGED PI X FLANGED PI</b>	
2-1/2"	212-375ADAPI
3"	3-375ADAPI
4"	4-375ADAPI
6"	6-375ADAPI
8"	8-375ADAPI
10"	10-375ADAPI

*For grooved options, part number will be designated using "GF", "FG" or "G" (e.g. 212-375ADAPIFG, 4-375ADAPIGF, 10-375ADAPIG).*

SIZE	LEAD-FREE PART NUMBER
<b>375ADABG: GROOVED BG X GROOVED BG (TAMPURED BUTTERFLY VALVES)</b>	
2-1/2"	212-375ADABG
3"	3-375ADABG
4"	4-375ADABG
6"	6-375ADABG
8"	8-375ADABG
10"	10-375ADABG

SIZE	LEAD-FREE PART NUMBER
<b>375ADABF: FLANGED BF X FLANGED BF</b>	
2-1/2"	212-375ADABF
3"	3-375ADABF
4"	4-375ADABF
6"	6-375ADABF
8"	8-375ADABF
10"	10-375ADABF

SIZE	LEAD-FREE PART NUMBER
<b>375ADA WITH OSY AND PI SHUT-OFF VALVE COMBINATIONS</b>	
2-1/2" - 10"	OSY & PI GATE VALVES

*For grooved options, part number will be designated using "GF", "FG" or "G" (e.g. 212-375ADAPIOSYFG, 4-375ADAOSYPIGF, 10-375ADAOSYPIG).*

## OPTIONS AND LIST PRICE ADDERS (ADD OPTION TO LIST PRICE TO DETERMINE TOTAL LIST PRICE)

### 300AR SERIES - REPLACEMENT BACKFLOW ASSEMBLY (2-1/2" - 10")

Custom Length Double Check Valve Assembly for drop in replacements. Stainless Steel Grooved x Grooved Nipple Installed Between the Backflow Valve and the Outlet Shut-Off Valve. Can be used with grooved backflow models. For replacement of longer lay-length backflow preventers.

375ADAR list price adder to be added to list price of the 375ADA to determine total list price.

See order form and product specification sheet on the website for details and options.

SIZE	INLET X OUTLET CONNECTIONS / OPTIONS
2-1/2"	Length Range: Up to 47-1/8"
3"	Length Range: Up to 48-1/8"
4"	Length Range: Up to 62-1/4"
6"	Length Range: Up to 71-1/4"
8"	Length Range: Up to 86"
10"	Length Range: Up to 100-5/8"

*Part number will be designated using "375ADAR-A".*

# 375ADA/375DA SERIES – REDUCED PRESSURE PRINCIPLE DETECTOR ASSEMBLY (CONTINUED)

SIZE	LEAD-FREE PART NUMBER
------	-----------------------

375DA: FLANGED OSY X FLANGED OSY	
2"	2-375DA
2-1/2"	212-375DA
3"	3-375DA
4"	4-375DA
6"	6-375DA
8"	8-375DA
10"	10-375DA

For grooved options, part number will be designated using "GF", "FG" or "G" (e.g. 212-375DAFG, 4-375DAFG, 10-375DAG).

375DAPI: FLANGED PI X FLANGED PI	
2"	2-375DAPI
2-1/2"	212-375DAPI
3"	3-375DAPI
4"	4-375DAPI
6"	6-375DAPI
8"	8-375DAPI
10"	10-375DAPI

For grooved options, part number will be designated using "GF", "FG" or "G" (e.g. 212-375DAPIFG, 4-375DAPIFG, 10-375DAPIG).

375DA WITH OSY AND PI SHUT-OFF VALVE COMBINATIONS	
2-1/2" - 10"	OSY & PI GATE VALVES

For grooved options, part number will be designated using "GF", "FG" or "G" (e.g. 212-375DAPIOSYFG, 4-375DAOSYPIFG, 10-375DAOSYPIG).

## OPTIONS AND LIST PRICE ADDERS (ADD OPTION TO LIST PRICE TO DETERMINE TOTAL LIST PRICE)

### CUBIC FEET METER (CFM) OPTION

2" - 10" CFM Suffix  
Part number will be designated using "CFM" (e.g. 212-375DACFM, 4-375DACFMFG, 10-375DACFMOSYPIG).

### LESS METER (LM) OPTION

2" - 10" LM Suffix  
Part number will be designated using "LM" (e.g. 212-375DALM, 4-375DALMFG, 10-375DALMOSYPIG).

### AIR GAP (-AG) OPTION

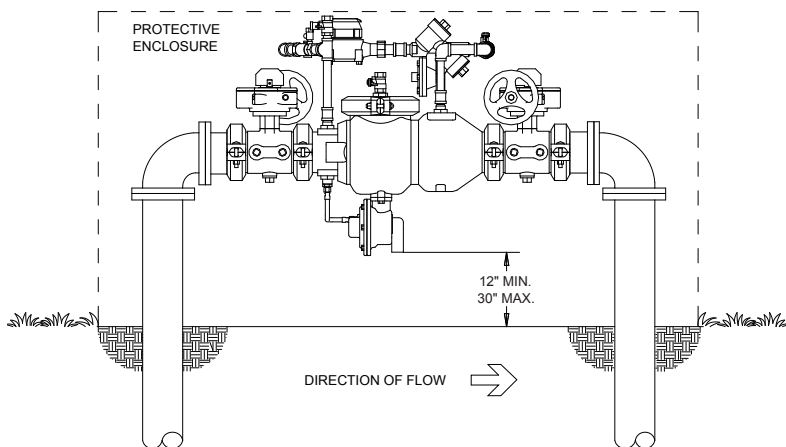
2" - 6" AG Option, Iron Air Gap (AG-6)  
8" - 10" AG Option, Iron Air Gap (AG-7)

Part number will be designated using "-AG" (e.g. 212-375DA-AG, 4-375DALMFG-AG, 10-375DAOSYPIG-AG).

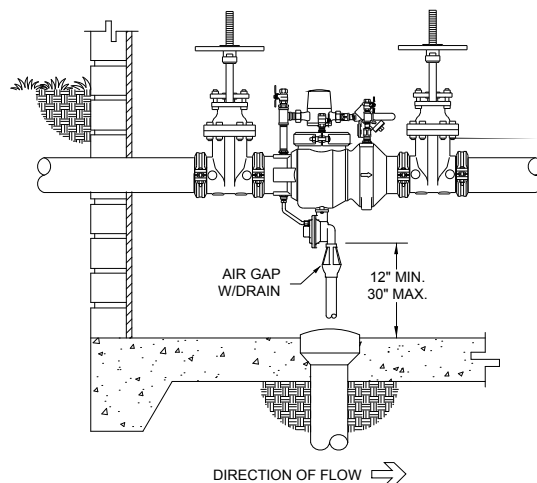
### FSC STRAINER (FSC) OPTION WITH BOLT KIT, FLANGED X FLANGED CONNECTION

2-1/2" - 10" FSC Suffix  
Part number will be designated using "FSC" (e.g. 212-375DAFSC, 4-375DAFSC, 10-375PIFSC). Lead-Free Law Compliant.

## TYPICAL INSTALLATION



**OUTDOOR INSTALLATION  
(MODEL 375ADABG)**



**INDOOR INSTALLATION  
(MODEL 375ADAG)**

# 475STDA/475STDAV SERIES – REDUCED PRESSURE PRINCIPLE DETECTOR ASSEMBLY WITH STAINLESS STEEL BODY



SIZE	LEAD-FREE PART NUMBER
<b>475STDA: FLANGED OSY X FLANGED OSY</b>	
4"	4-475STDA
6"	6-475STDA
8"	8-475STDA
10"	10-475STDA
<b>475STDAV: FLANGED OSY X FLANGED OSY</b>	
4"	4-475STDAV
6"	6-475STDAV
8"	8-475STDAV
10"	10-475STDAV
<b>475STDAR: FLANGED OSY X FLANGED OSY REPLACEMENT BACKFLOW</b>	
4"	4-475STDAR
6"	6-475STDAR
8"	8-475STDAR
10"	10-475STDAR
<b>475STDARV: FLANGED OSY X FLANGED OSY REPLACEMENT BACKFLOW</b>	
4"	4-475STDARV
6"	6-475STDARV
8"	8-475STDARV
10"	10-475STDARV

## APPLICATIONS

Designed for drop in replacement of competitor valves and new installation on water lines in fire protection systems to protect against both backsiphonage and backpressure of contaminated water into the potable water supply. The Model 475STDA shall provide protection in a high hazard health application. The configuration 475STDAV is for applications requiring vertical flow up. Incorporates metered by-pass to detect leaks and unauthorized water use.

## FEATURES

- 4" - 10"
- 175 psi max
- 140°F max
- n-Pattern space saving design
- Available in up/down (475STDA) or up/up (475STDAV) configuration
- Stainless steel body
- Direct drop in replacement of competitor valves
- The by-pass assembly consists of a water meter in series with a reduced pressure principle backflow preventer

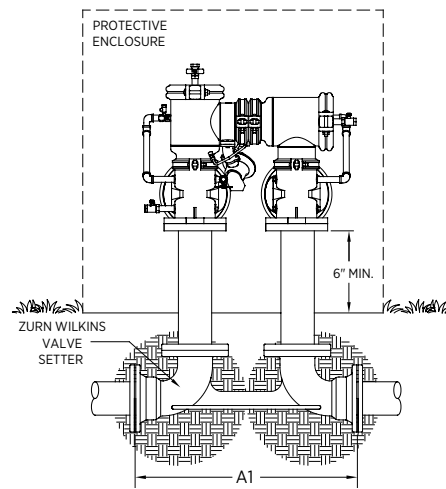
## APPROVALS AND APPLICABLE SPECIFICATIONS

- Approved by the Foundation for Cross-Connection Control and Hydraulic Research at the University of Southern California
- ASSE® Listed 1013, UL® Classified, FM® Approved, UL® Classified, CSA® Certified, AWWA Compliant C511 (with gates only), and C550
- Certified to NSF/ANSI 61

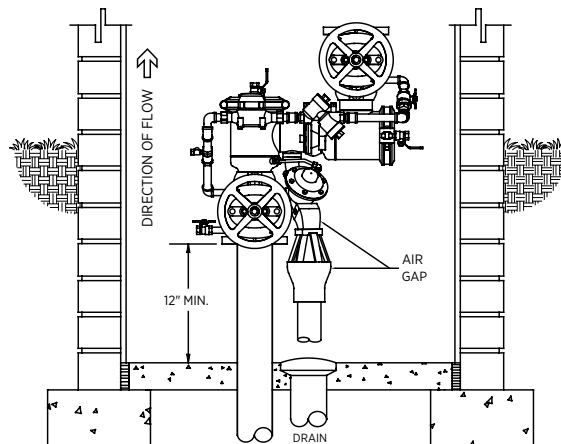
## ACCESSORIES

- Air gap (Model AG)
- Valve setter (Model FLSST or MJSST or MJFSST)
- OS&Y gate valve supervisory switch (OSY-40)
- Repair kits
- 4" to 3" adaptor (RFK4X3-400ST)

## TYPICAL INSTALLATION



OUTDOOR INSTALLATION



VERTICAL INSTALLATION

# 475DA/475DAV SERIES – REDUCED PRESSURE PRINCIPLE DETECTOR ASSEMBLY



## APPLICATIONS

Reduced Pressure Detector Assembly for high hazard fire protection system applications. Small footprint and vertical flow for new or retrofit installations with the Zurn Wilkins 475DA and 475DAV.

## FEATURES

- 4" - 10"
- 175 psi max
- 140°F max
- Available in up/down (475DA) or up/up (475DAV) configuration
- The by-pass assembly consists of a water meter in series with a reduced pressure principle backflow preventer
- Epoxy coated ductile iron body
- Modular, Center-Stem Guided Compound Checks

## APPROVALS AND APPLICABLE SPECIFICATIONS

- Approved by the Foundation for Cross-Connection Control and Hydraulic Research at the University of Southern California (sizes 4" – 8")
- UL® Classified, C-UL® Classified, AWWA Compliant
- ASSE® Listed 1047 (4" – 8)
- FM approved (4" – 8")
- Certified to NSF/ANSI 61 and 372

## ACCESSORIES

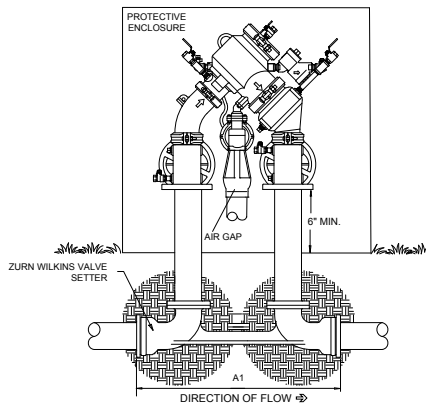
- Air gap (Model AG)
- Valve setter (Model FLS or MJS or MJFS)
- OS&Y gate valve supervisory switch (OSY-40)
- Available with CFM water meter (5/8" x 3/4")
- Repair kits

SIZE	LEAD-FREE PART NUMBER
<b>475DAV: FLANGED OSY X FLANGED OSY</b>	
4"	4-475DAV
6"	6-475DAV
8"	8-475DAV
10"	10-475DAV
<i>For grooved options, part number will be designated using "GF", "FG" or "G" (e.g. 4-475DAVGF, 6-475DAVGF, 10-475DAVGF).</i>	
<b>475DAVPI: FLANGED PI X FLANGED PI</b>	
4"	4-475DAVPI
6"	6-475DAVPI
8"	8-475DAVPI
10"	10-475DAVPI
<i>For grooved options, part number will be designated using "GF", "FG" or "G" (e.g. 4-475DAVPIGF, 6-475DAVPIGF, 10-475DAVPIGF).</i>	

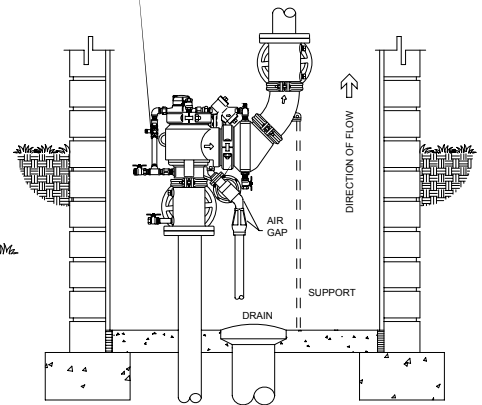
SIZE	LEAD-FREE PART NUMBER
<b>475DA: FLANGED OSY X FLANGED OSY</b>	
4"	4-475DA
6"	6-475DA
8"	8-475DA
10"	10-475DA
<i>For grooved options, part number will be designated using "GF", "FG" or "G" (e.g. 4-475DAFG, 6-475DAFG, 10-475DAFG).</i>	
<b>475DAPI: FLANGED PI X FLANGED PI</b>	
4"	4-475DAPI
6"	6-475DAPI
8"	8-475DAPI
10"	10-475DAPI
<i>For grooved options, part number will be designated using "GF", "FG" or "G" (e.g. 4-475DAPIGF, 6-475DAPIGF, 10-475DAPIGF).</i>	
<b>475DABG: GROOVED BG X GROOVED BG (TAMPURED BUTTERFLY VALVES)</b>	
4"	4-475DABG
6"	6-475DABG
8"	8-475DABG
10"	10-475DABG
<b>475DABF: FLANGED BF X FLANGED BF (TAMPURED BUTTERFLY VALVES)</b>	
4"	4-475DABF
6"	6-475DABF
8"	8-475DABF

SIZE	LEAD-FREE PART NUMBER
10"	10-475DABF
<b>475DA WITH OSY AND PI SHUT-OFF VALVE COMBINATIONS</b>	
4" - 10"	OSY & PI GATE VALVES
<i>For grooved options, part number will be designated using "GF", "FG" or "G" (e.g. 4-475DAPIOSYFG, 6-475DAOSYPIGF, 10-475DAOSYPIG).</i>	
<b>475DAL: GROOVED X GROOVED, LESS SHUT-OFF VALVES</b>	
4"	4-475DAL
6"	6-475DAL
8"	8-475DAL
10"	10-475DAL
<i>Part number will be designated using "L" (e.g. 4-475DAL, 6-475DALCFM).</i>	

## TYPICAL INSTALLATION



**OUTDOOR INSTALLATION (MODEL 475DA)**



**VERTICAL INSTALLATION (MODEL 475DAV)**

SIZE	LEAD-FREE PART NUMBER
<b>475DAVBG: GROOVED BG X GROOVED BG (TAMPURED BUTTERFLY VALVES)</b>	
4"	4-475DAVBG
6"	6-475DAVBG
8"	8-475DAVBG
10"	10-475DAVBG
<b>475DAVBF: FLANGED BF X FLANGED BF (TAMPURED BUTTERFLY VALVES)</b>	
4"	4-475DAVBF
6"	6-475DAVBF
8"	8-475DAVBF
10"	10-475DAVBF
<b>475DAV WITH OSY AND PI SHUT-OFF VALVE COMBINATIONS</b>	
4" - 10"	OSY & PI GATE VALVES
<i>For grooved options, part number will be designated using "GF", "FG" or "G" (e.g. 4-475DAVPIOSYFG, 6-475DAVOSYPIGF, 10-475DAVOSYPIG).</i>	

OPTIONS AND LIST PRICE ADDERS (ADD OPTION TO LIST PRICE TO DETERMINE TOTAL LIST PRICE)	
<b>CUBIC FEET METER (CFM) OPTION</b>	
4" - 10"	CFM Suffix
<i>Part number will be designated using "CFM" (e.g. 4-475DAVCFM, 6-475DAVCFMFG, 10-475DAVCFMOSYPIG).</i>	
<b>LESS METER (LM) OPTION</b>	
4" - 10"	LM Suffix
<i>Part number will be designated using "LM" (e.g. 4-475DAVLM, 6-475DAVLMFG, 10-475DAVLMOSYPIG).</i>	
<b>AIR GAP (-AG) OPTION</b>	
4" - 6"	AG Option, Iron Air Gap (AG-9)
8" - 10"	AG Option, Iron Air Gap (AG-10)
<i>Part number will be designated with the "-AG" (e.g. 4-475DAV-AG, 6-475DAVLMFG-AG, 10-475DAVOSYPIG-AG).</i>	

For additional product information, please visit [www.zurn.com](http://www.zurn.com).

BACKFLOW PREVENTERS  
BACKFLOW PREVENTERS ACCESSORIES  
STRAINERS  
AUTOMATIC CONTROL VALVES  
PRESSURE REDUCING VALVES  
FIRE PROTECTION VALVES  
THERMOSTATIC MIXING VALVES  
RELIEF VALVES  
MISCELLANEOUS PLUMBING PRODUCTS  
REPAIR KITS

# 310/310DA SERIES – SINGLE CHECK VALVE ASSEMBLY



SIZE	LEAD-FREE EXEMPT PART NUMBER
<b>310: FLANGED X FLANGED</b>	
4"	4-310
6"	6-310
8"	8-310

SIZE	LEAD-FREE PART NUMBER
<b>310DA: FLANGED X FLANGED, GPM METER</b>	
4"	4-310DA
6"	6-310DA
8"	8-310DA

<b>310DAOSY: FLANGED X FLANGED, GPM METER, OS &amp; Y GATE VALVES</b>	
4"	4-310DAOSY
6"	6-310DAOSY
8"	8-310DAOSY

For grooved options, part number will be designated using "GF", "FG" or "G" (e.g. 4-310SYFG, 6-310OSYGF, 8-310OSYG).

Other OS&Y Connection Options - Grooved x Flanged (GF), Flanged x Grooved (FG)

**OPTIONS AND LIST PRICE ADDERS**  
(ADD OPTION TO LIST PRICE TO DETERMINE TOTAL LIST PRICE)

**CUBIC FEET METER (CFM) OPTION**

4" - 8" CFM Suffix

Part number will be designated using "CFM" (e.g. 4-310DACFM, 6-310DACFM, 8-310DACFMOSY).

**LESS METER (LM) OPTION**

4" - 8" LM Suffix

Part number will be designated using "LM" (e.g. 4-310DALM, 6-310DALMFG, 8-310DALMOSY).

## APPLICATIONS

Designed for use in water systems to prevent the reverse flow of non-hazardous substances into the remainder of the system. Used to protect upstream equipment, not adequate for low or high hazard backflow prevention.

## FEATURES

- 4" - 8"
- 175 psi max
- 140°F max
- Available as a 310DA, with detector assembly for fire protection
- Epoxy-coated ductile iron body
- Modular, Center-Stem Guided Compound Checks

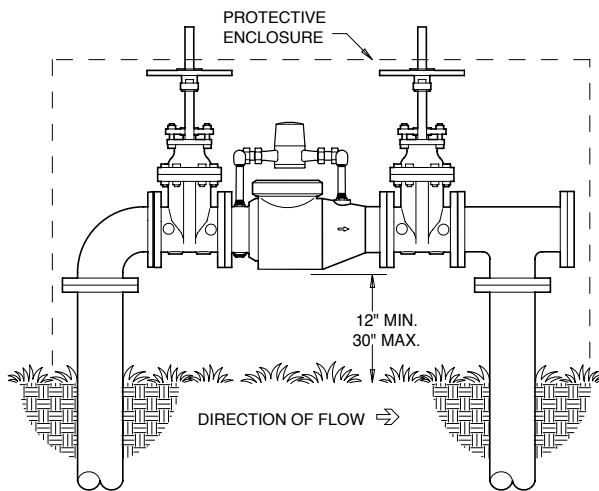
## APPROVALS AND APPLICABLE SPECIFICATIONS

- FM® Approved, UL® Listed & C-UL® Listed (4" & 6")
- Certified to NSF/ANSI 372 (4", 6" & 8")

## TYPICAL INSTALLATION

Check with local water authority for installation requirements

## TYPICAL INSTALLATION



**OUTDOOR INSTALLATION  
(310DAOSY)**

## 420XL SERIES – PRESSURE VACUUM BREAKER



### APPLICATIONS

The freeze resistant 420XL is a cartridge loaded Pressure Vacuum Breaker that is perfect for residential irrigations and plumbing systems. The 420XL is Lead-Free Law compliant.

### FEATURES

- 3/4", 1"
- 175 psi max
- 140°F max
- Integral relief valve reduces the risk of valve damage under non-seasonal freezing conditions
- Thermoplastic modular cartridge design
- All bronze body and corrosion-resistant internal parts

### APPROVALS AND APPLICABLE SPECIFICATIONS

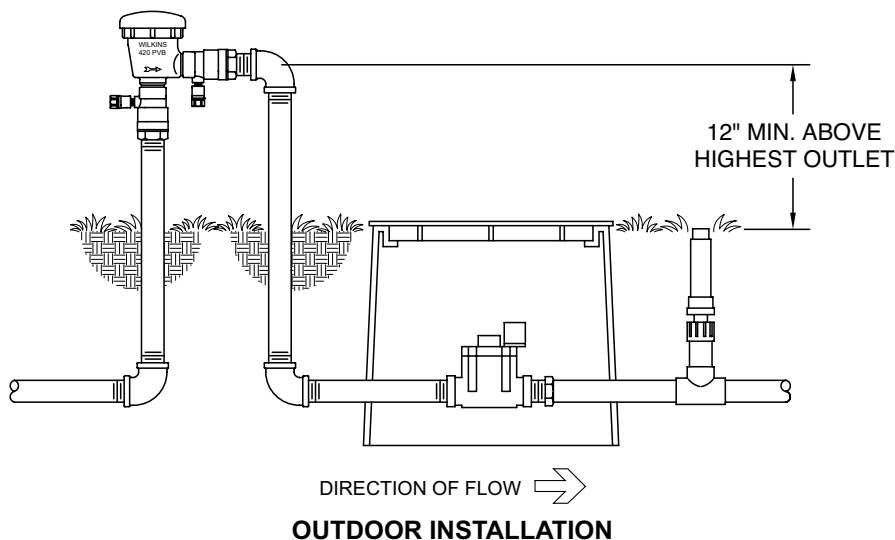
- Approved by the Foundation for Cross-Connection Control and Hydraulic Research at the University of Southern California
- ASSE® Listed 1020, cUPC® Listed, CSA® Certified
- Certified to NSF/ANSI 372

### ACCESSORIES

- Water hammer arrester (Model 1260XL)
- Repair kit

SIZE	LEAD-FREE PART NUMBER
<b>420XL: FNPT X FNPT</b>	
3/4"	34-420XL
1"	1-420XL
<b>OPTIONS AND LIST PRICE ADDERS (ADD OPTION TO LIST PRICE TO DETERMINE TOTAL LIST PRICE)</b>	
<b>FAST-TEST TEST COCKS (FT) OPTION (E.G. 1-420XLFT)</b>	
3/4" - 1"	FT Suffix

### TYPICAL INSTALLATION



## 460XL SERIES – SPILL RESISTANT PRESSURE VACUUM BREAKER



### APPLICATIONS

The 460XL spill resistant Vacuum Breaker is perfect for indoor applications due to its "spill resistant" feature. Used in high hazard backsiphonage applications.

### FEATURES

- 3/8" - 1"
- 150 psi max
- 180°F max
- Spill resistant feature for indoor use
- Easy maintenance - bonnet & seat removal tool built into canopy
- Replaceable modular thermoplastic cartridge

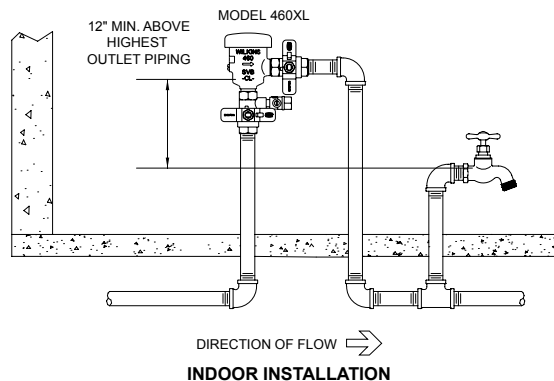
### APPROVALS AND APPLICABLE SPECIFICATIONS

- Approved by the Foundation for Cross-Connection Control and Hydraulic Research at the University of Southern California
- ASSE® Listed 1056, cUPC® Listed, CSA®
- Certified to NSF/ANSI 61 and 372

### ACCESSORIES

- Water hammer arrester (Model 1260XL)
- Repair kit

### TYPICAL INSTALLATION





# 710 SERIES – PRESSURE VACUUM BREAKER



SIZE	LEAD-FREE EXEMPT PART NUMBER
710: FNPT X FNPT	
3/4"	34-710
1"	1-710

## APPLICATIONS

This Pressure Vacuum Breaker Assembly protects against backsiphonage and is a low-maintenance, cost effective solution for high-hazard irrigation applications – commercial or residential.

## FEATURES

- 3/4", 1"
- 150 psi max
- 140°F max
- Bronze body
- Lead-free exempt for non-potable applications only

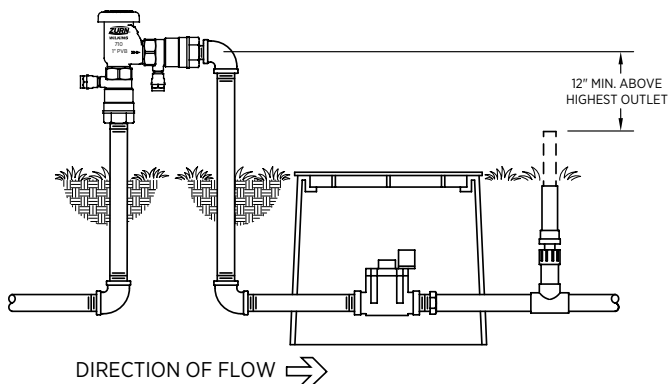
## APPROVALS AND APPLICABLE SPECIFICATIONS

- Approved by the Foundation for Cross-Connection Control and Hydraulic Research at the University of Southern California
- ASSE® Listed 1020, cUPC® Listed, CSA® Certified

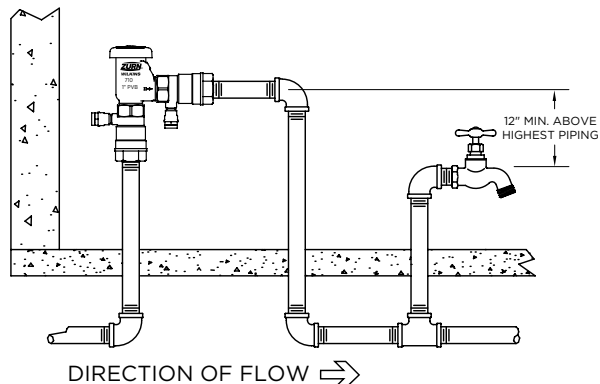
## ACCESSORIES

- Water Hammer Arrestor (Model 1260XL)
- Freeze Relief Valve (Model ZWFR)
- QT-SET Quick Test Fitting Set
- Repair kits

## TYPICAL INSTALLATION



OUTDOOR INSTALLATION



INDOOR INSTALLATION

## 720A SERIES – PRESSURE VACUUM BREAKER



### APPLICATIONS

This time tested Pressure Vacuum Breaker will give years of unparalleled service in high hazard backsiphonage conditions.

### FEATURES

- 1/2" - 2"
- 150 psi max
- 110°F max
- Bronze body & bonnet
- Lead-free exempt for non-potable applications only

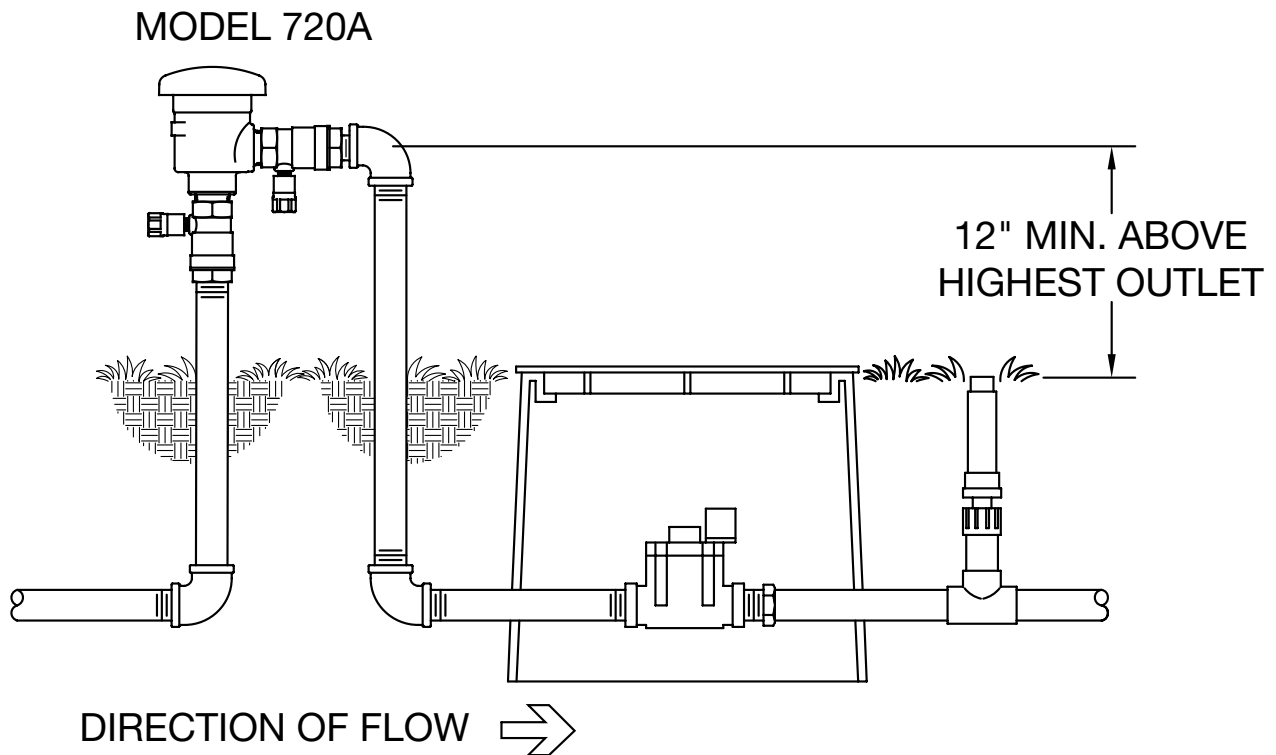
### APPROVALS AND APPLICABLE SPECIFICATIONS

- Approved by the Foundation for Cross-Connection Control and Hydraulic Research at the University of Southern California
- ASSE® Listed 1020, cUPC® Listed, CSA® Certified

### ACCESSORIES

- Water Hammer Arrester (Model 1260XL)
- Freeze Relief Valve (Model ZWFR)
- Repair kits

### TYPICAL INSTALLATION



SIZE	LEAD-FREE EXEMPT PART NUMBER
<b>720A: FNPT X FNPT</b>	
1/2"	12-720A
3/4"	34-720A
1"	1-720A
1-1/4"	114-720A
1-1/2"	112-720A
2"	2-720A
<b>720AU: FNPT X FNPT, UNION BALL VALVES (ASSE LISTED ONLY)</b>	
3/4"	34-720AU
1"	1-720AU
<b>OPTIONS AND LIST PRICE ADDERS (ADD OPTION TO LIST PRICE TO DETERMINE TOTAL LIST PRICE)</b>	
<b>FAST-TEST TEST COCKS (FT) OPTIONS (E.G. 34-720AFT, 2-720AFT), 1/2" THROUGH 1" USC APPROVED</b>	
1/2" - 2"	FT Suffix
<i>Part number will be designated using "FT" (e.g. 34-720AFT, 2-720AFT).</i>	

## 700XL SERIES – DUAL CHECK VALVE



### APPLICATIONS

The 700XL Dual Check Valve is available in many end configurations for easy installation on any low hazard piping system.

### FEATURES

- 1/4" - 1"
- 175 psi max
- 180°F max
- Bronze body construction
- Single union standard on inlet of all models
- May be installed vertically or horizontally

### APPROVALS AND APPLICABLE SPECIFICATIONS

- ASSE® Listed 1024, CSA® Certified
- Certified to NSF/ANSI 61 and 372

### ACCESSORIES

- Thermal expansion tank (Model XT)
- Shut-off valve with integral thermal expansion relief valve (Model BVECXL)

KEY	
U	= Indicates location of "union" connection
FNPT	= Female National Pipe Tapered Thread
MNPT	= Male National Pipe Tapered Thread
FC	= Female Copper Sweat
FMTC	= Female Meter Thread Connection (National Hose Strait Thread)
MMTC	= Male Meter Thread Connection (National Hose Straight Thread)

SIZE	LEAD-FREE PART NUMBER	LEAD-FREE EXEMPT PART NUMBER
<b>700XL/700: UNION FNPT X FNPT</b>		
1/4"	14UFX14F-700XL	-
3/8"	38UFX38F-700XL	-
1/2"	12UFX12F-700XL	-
3/4"	34UFX34F-700XL	34UFX34F-700
1"	1UFX1F-700XL	1UFX1F-700

SIZE	LEAD-FREE PART NUMBER
<b>700XL: MNPT X UNION FNPT</b>	
3/4"	34MX34UF-700XL
1"	1MX1UF-700XL
<b>700XL: UNION FEMALE METER X FNPT</b>	
3/4"	34UFMX34F-700XL
1" x 3/4"	1UFMX34F-700XL
1"	1UFMX1F-700XL
<b>700XL: UNION FEMALE METER X MNPT</b>	
3/4"	34UFMX34M-700XL
3/4" x 1"	34UFMX1M-700XL
1" x 3/4"	1UFMX34M-700XL
1"	1UFMX1M-700XL
<b>700XL: UNION FEMALE METER X UNION FNPT</b>	
1" x 3/4"	1UFMX34UF-700XL
1"	1UFMX1UF-700XL
1-1/4"	114UFMX1UF-700XL
<b>700XL: UNION FEMALE METER X MALE METER</b>	
3/4"	34UFMX34MM-700XL
3/4" x 1"	34UFMX1MM-700XL
1" x 3/4"	1UFMX34UMM-700XL
1"	1UFMX1MM-700XL

## 700XLF SERIES - DUAL CHECK VALVE

SIZE	LEAD-FREE PART NUMBER
<b>700XLF: DUAL CHECK VALVE, UNION FNPT X FNPT</b>	
1"	1UFX1F-700XLFP
1-1/4"	114UFX114F-700XLFP
1-1/2"	112UFX112F-700XLFP
<b>700XLF: DUAL CHECK VALVE, UNION FEMALE METER X FNPT</b>	
1-1/4" x 1"	114UFMX1F-700XLFP
1-1/4"	114UFMX114F-700XLFP
<b>700XLF: DUAL CHECK VALVE, UNION FEMALE CU SWT X FNPT</b>	
1-1/2"	112UFCX112F-700XLFP

## 705 SERIES – DUAL CHECK VALVE



### APPLICATIONS

A composite version of the 700XL dual check for low hazard water systems.

### FEATURES

- 3/4", 1"
- 175 psi max
- 180°F max
- Single union standard on inlet of all models
- May be installed vertically or horizontally

### APPROVALS AND APPLICABLE SPECIFICATIONS

- ASSE® Listed 1024, CSA® Certified
- Certified to NSF/ANSI 61 and 372

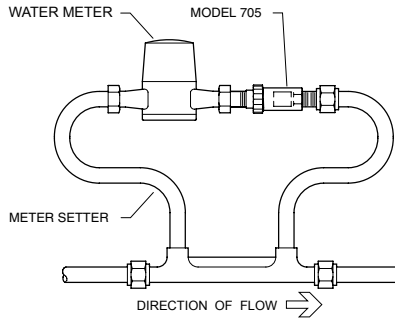
### ACCESSORIES

- Thermal expansion tank (Model XT)

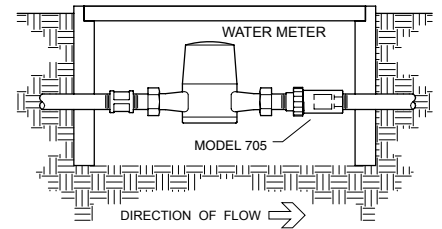
SIZE	LEAD-FREE PART NUMBER
<b>705: FNPT X UNION FNPT</b>	
3/4"	34FX34UF-705
1"	1FX1UF-705
<b>705: UNION FNPT X FNPT</b>	
3/4"	34UFX34F-705
1"	1UFX1F-705
<b>705: UNION MNPT X FNPT</b>	
1"	1UMX1F-705

SIZE	LEAD-FREE PART NUMBER
<b>705: UNION FEMALE CU SWT X FNPT</b>	
3/4"	34UFCX34F-705
<b>705: UNION FEMALE METER X FNPT</b>	
1" x 3/4"	1UFMX34F-705
1"	1UFMX1F-705

### TYPICAL INSTALLATION

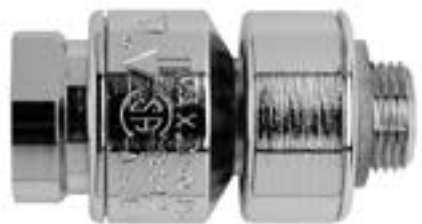


METER SETTER INSTALLATION



PIT INSTALLATION

## 730/735 SERIES – LABORATORY FAUCET VACUUM BREAKER



### APPLICATIONS

The Zurn Wilkins 730 and 735 are intended to be used on laboratory service sinks where high hazard backflow could occur due to backsiphonage.

### FEATURES

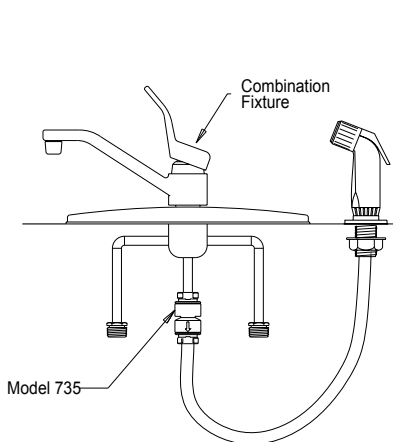
- Model 730: 3/8" [non-continuous pressure applications]
- Model 735: 3/8" [continuous pressure applications]
- 150 psi max
- 180°F max
- Main valve body brass ASTM B 16; polished chrome finish (Model 730)

### APPROVALS AND APPLICABLE SPECIFICATIONS

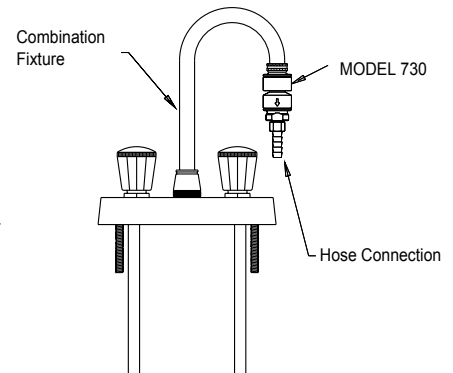
- Model 730 - ASSE® Listed 1035, CSA® Certified B64.7, cUPC® Listed
- Model 735 - CSA® Certified B64.8
- Certified to NSF/ANSI 372

SIZE	LEAD-FREE PART NUMBER
<b>730: FNPT X FNPT, POLISHED CHROME</b>	
3/8"	38-730
<b>730FM: FNPT X MALE NPT, POLISHED CHROME</b>	
3/8"	38-730FM
<b>735: FNPT X FNPT, BRASS</b>	
3/8"	38-735
<b>735CH: FNPT X FNPT, CHROME</b>	
3/8"	38-735CH

### TYPICAL INSTALLATION



In-line continuous use  
(see above for approvals)



Faucet hose connection

## 740 SERIES – BACKFLOW PREVENTER FOR VENDING MACHINE WATER SUPPLY



### APPLICATIONS

The Model 740 is designed for installation in vending machine water supply lines to prevent backflow of carbon dioxide and carbonated water into the potable supply.

### FEATURES

- 3/8"
- 150 psi max
- 130°F max
- SAE J513 flare fitting threads inlet and outlet
- All stainless steel construction
- Silicon rubber check valve discs

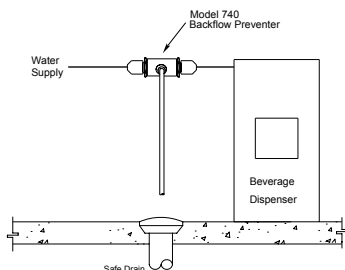
### APPROVALS AND APPLICABLE SPECIFICATIONS

- ASSE® Listed 1022
- Certified to NSF/ANSI 372

### TYPICAL INSTALLATION

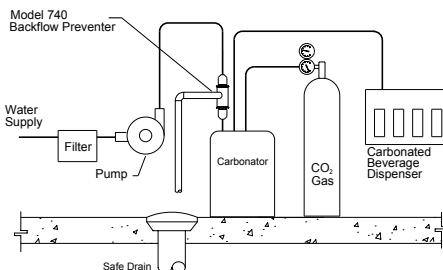
The Model 740 can be installed in the horizontal or vertical position. Under certain conditions the Model 740 may discharge water from the vent port. Provisions must be made to ensure that discharge will not damage surrounding property or equipment. Copper tubing shall not be used downstream of the Model 740.

### TYPICAL INSTALLATION



Non-Carbonated Beverage System

SIZE	LEAD-FREE PART NUMBER
740: SAE 45 X SAE 45, STAINLESS STEEL	
3/8"	38-740
740F: FNPT X FNPT, STAINLESS STEEL	
3/8"	38-740F



Carbonated Beverage System

## 760 SERIES – DUAL CHECK WITH ATMOSPHERIC VENT



### APPLICATIONS

The 760 provides low hazard protection against backflow from a residential boiler.

### FEATURES

- 1/2", 3/4"
- 175 psi max
- 210°F max
- Continuous pressure type backflow preventer with threaded atmospheric vent drain
- Brass body construction
- Integral stainless steel screen
- Union connections both ends; available with FNPT or copper connections

### APPROVALS AND APPLICABLE SPECIFICATIONS

- ASSE® Listed 1012, CSA® Certified

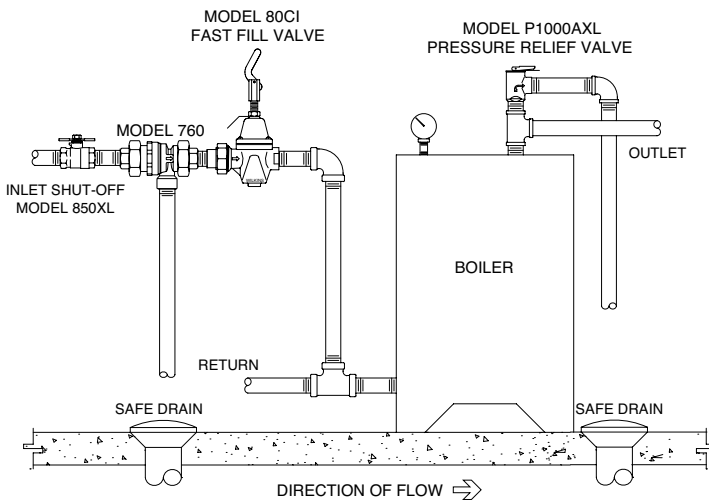
### ACCESSORIES

- Hydronic expansion tank (HXT)
- Pressure relief valve (P1000AXL)

### TYPICAL INSTALLATION

Under certain conditions, the Model 760 will spill water from the vent port. WARNING: Provisions must be made to collect this spillage through an air gap or other means. The vent port should never be directly piped into a drainage ditch, sewer or pump. Under no circumstances should the vent port or drain line be plugged. Local codes shall govern installation requirements. To be installed in accordance with the manufacturers' instructions and the latest edition of the Uniform Plumbing Code. The installation shall be made so that no part of the unit can be submerged.

### TYPICAL INSTALLATION



SIZE	LEAD-FREE EXEMPT PART NUMBER
760: FNPT X FNPT	
1/2"	12-760
3/4"	34-760
760C: FEMALE CU SWT X FEMALE CU SWT	
1/2"	12-760C
3/4"	34-760C

## 40XL2 SERIES – IN-LINE SINGLE CHECK VALVE



### APPLICATIONS

The soft seated slow closing check design of the 40XL2 series is ideal as a backdrop against inlet pressure fluctuations that may cause RP relief valve discharge and/or water hammer.

### FEATURES

- 1/4" - 2"
- 200 psi
- 210°F max
- Brass body construction
- PEI poppet and NBR rubber seat gasket, stainless steel spring
- Female NPT inlet and outlet connections
- May be installed in any position

### APPROVALS AND APPLICABLE SPECIFICATIONS

- Certified to NSF/ANSI 61 and 372

SIZE	LEAD-FREE PART NUMBER
<b>40XL2: FNPT X FNPT</b>	
1/4"	14-40XL2
3/8"	38-40XL2
1/2"	12-40XL2
3/4"	34-40XL2
1"	1-40XL2
1-1/4"	114-40XL2
1-1/2"	112-40XL2
2"	2-40XL2
2-1/2"	212-40XL2
3"	3-40XL2
4"	4-40XL2

## 35XL SERIES – ATMOSPHERIC VACUUM BREAKER



### APPLICATIONS

The 35XL Atmospheric Vacuum Breaker is an economical way of preventing high hazard backsiphonage backflow in non-continuous pressure applications.

### FEATURES

- 1/4", 1/2" - 2"
- 125 psi max
- 180°F max
- Bronze body
- Lightweight, plastic poppet float

### APPROVALS AND APPLICABLE SPECIFICATIONS

- ASSE® Listed 1001, cUPC® Listed, CSA® Certified
- Certified to NSF/ANSI 372

### ACCESSORIES

- Water hammer arrestor (Model 1260XL)

SIZE	LEAD-FREE PART NUMBER
<b>35XL: FNPT X FNPT, BRONZE</b>	
1/2"	12-35XL
3/4"	34-35XL
1"	1-35XL
1-1/4"	114-35XL
1-1/2"	112-35XL
2"	2-35XL
<b>35XLCH: FNPT X FNPT, CHROME</b>	
1/2"	12-35XLCH
<b>35XLPCH: FNPT X FNPT, POLISHED CHROME</b>	
1/2"	12-35XLPCH
<b>35XLVCH: FNPT X FNPT, CHROME, VERTICAL INLET &amp; OUTLET</b>	
1/4"	14-35XLVCH

BACKFLOW PREVENTERS

BACKFLOW PREVENTERS ACCESSORIES

STRAINERS

AUTOMATIC CONTROL VALVES

PRESSURE REDUCING VALVES

FIRE PROTECTION VALVES

THERMOSTATIC MIXING VALVES

RELIEF VALVES

MISCELLANEOUS PLUMBING PRODUCTS

REPAIR KITS

## BFP-9 & BFP-8F SERIES – HOSE CONNECTION VACUUM BREAKER



SIZE	LEAD-FREE EXEMPT PART NUMBER
<b>BFP-9: FNH X MNH</b>	
3/4"	BFP-9
<b>BFP-9CH: FNH X MNH, CHROME PLATED</b>	
3/4"	BFP-9CH
<b>BFP-8F: FNH X MNH, MANUAL DRAIN FOR FREEZE PROTECTION</b>	
3/4"	BFP-8F

### TYPICAL INSTALLATION

#### APPLICATIONS

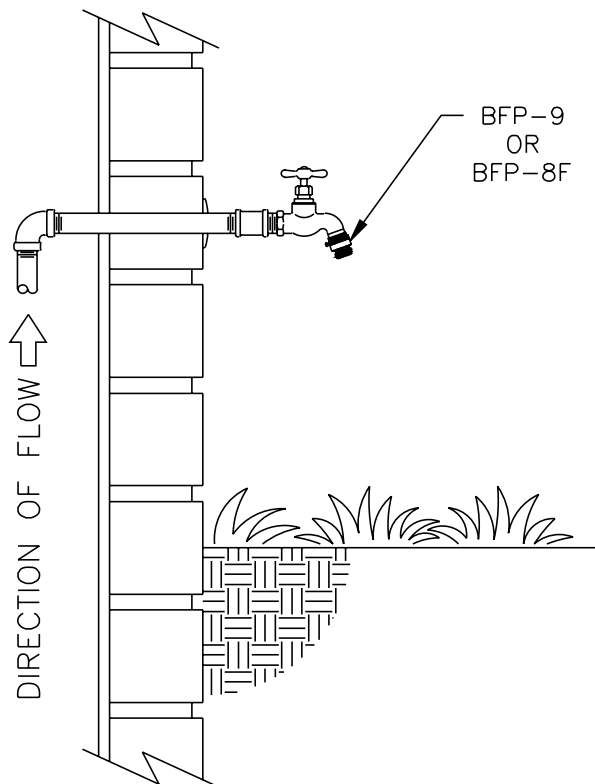
Designed for installation on hose bibbs to protect against backsiphonage of polluted water into the non-potable water supply.

#### FEATURES

- 3/4"
- 125 psi max
- 180°F max
- Brass hose bibb backflow preventer with vandal resistant feature

#### APPROVALS AND APPLICABLE SPECIFICATIONS

- ASSE® Listed 1011, cUPC® Listed, CSA® Certified



### TYPICAL HOSE BIBB INSTALLATION

# BACKFLOW PREVENTERS ACCESSORIES

Backflow prevention systems generally are comprised of more than just a backflow assembly. Zurn Wilkins offers a complete line of backflow accessories to accompany your installation, from ancillary shut-off valves to test kits, and accessories for valve monitoring and frost protection.

<b>WBR SERIES</b> – IN BUILDING RISERS	<b>56</b>
<b>ZWFR</b> – FREEZE RELIEF VALVE	<b>56</b>
<b>BVMS</b> – BALL VALVE MONITOR SWITCH	<b>57</b>
<b>OSY-40</b> – GATE VALVE SUPERVISORY SWITCH KIT	<b>57</b>
<b>850XL SERIES</b> – FULL PORT BALL VALVE	<b>57</b>
<b>48 SERIES</b> – NRS GATE VALVE	<b>58</b>
<b>48OSY SERIES</b> – OS&Y GATE VALVE	<b>58</b>
<b>48PIV</b> – POST INDICATOR GATE VALVE	<b>59</b>
<b>F48OSYF SERIES</b> – FIRE OS&Y UNTAPPED GATE VALVE	<b>59</b>
<b>49 SERIES</b> – BUTTERFLY VALVE	<b>60</b>
<b>FLUSH FITTING TOOLS</b> – 350/375 BACKFLOW PREVENTERS	<b>60</b>
<b>TG-3 AND TG-5</b> – BACKFLOW ASSEMBLY TEST KITS	<b>60</b>
<b>QT-SET (BRASS) AND QTP (PLASTIC)</b> – QUICK TEST FITTINGS	<b>61</b>
<b>400 SERIES SETTER</b>	<b>61</b>
<b>400ST SERIES SETTER</b>	<b>61</b>
<b>RFK4X3-400ST</b> – 4" X 3" SETTER ADAPTERS FOR 400ST SERIES	<b>62</b>
<b>AG SERIES</b> – AIR GAP	<b>62</b>



## WBR SERIES - IN BUILDING RISERS



### APPROVALS AND APPLICABLE SPECIFICATIONS

- UL ® Listed, ULC ® Listed, FM® Approved
- Certified to NSF/ANSI 372

SIZE	LEAD-FREE PART NUMBER
<b>WBR: PUSH-ON X GROOVED, 6' X 6' ELBOW STANDARD, INCLUDES END CAP</b>	
4"	4-WBR
6"	6-WBR
8"	8-WBR
10"	10-WBR
<b>WBR-F: PUSH-ON X FLANGED, 6' X 6' ELBOW STANDARD</b>	
4"	4-WBR-F
6"	6-WBR-F
8"	8-WBR-F
10"	10-WBR-F
<b>WBR-6X8.5: PUSH ON X GROOVED, 6' X 8.5' ELBOW STANDARD, INCLUDES END CAP</b>	
4"	4-WBR6X8.5
6"	6-WBR6X8.5
8"	8-WBR6X8.5
10"	10-WBR6X8.5

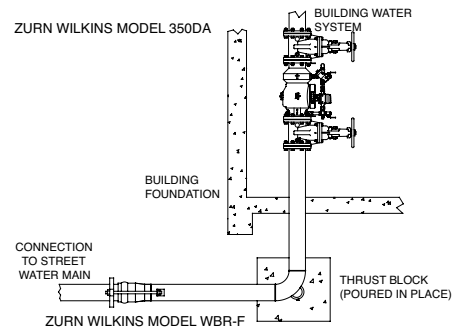
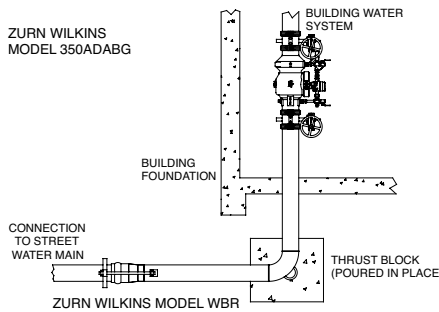
### APPLICATIONS

Designed to connect a water supply line from outside the building to the water system inside the building. The Model WBR may be used in potable water or fire applications and has an all-stainless steel construction.

### FEATURES

- 4" - 10"
- 200 psi max
- 140°F max
- Push-on inlet end connection (PVC or ductile iron pipe)
- Grooved (standard) or flanged outlet end connection
- Available with extended 8-1/2' (102") vertical leg (grooved outlet connection only)
- Brackets on inlet side provide attachment points for pipe installation equipment

### TYPICAL INSTALLATION



## ZWFR - FREEZE RELIEF VALVE



### TYPICAL INSTALLATION

The Model ZWFR should be installed on the downstream test cock or downstream attached piping of any backflow device installed above ground where freezing is a concern.

**NOTICE:** If the Model ZWFR is installed on a test cock, the test cock must be left in the open position to allow the ZWFR to function properly.

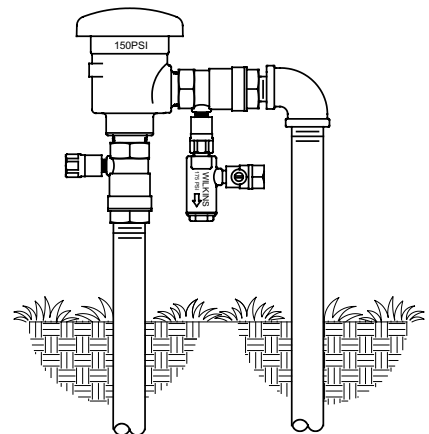
The device is best suited to be installed in the vertical down position, but may also be installed at any orientation up to horizontal. Orientations above horizontal may cause an ice dam during operation and impair valve function.

The device is not intended to replace the standard winterization process.

**WARNING:** Under freezing conditions the Model ZWFR will discharge water from the outlet port. Provisions must be made to insure that discharge will not damage surrounding property or equipment.

SIZE	LEAD-FREE EXEMPT PART NUMBER
<b>ZWFR: 1/4" MNPT FREEZE RELIEF VALVE, W/ TEST COCK, 175 PSI</b>	
1/4"	14-ZWFR

### TYPICAL INSTALLATION



### APPLICATIONS

For installation on backflow preventers and vacuum breakers. Ideal for regions where occasional/unexpected freezes occur, yet winterization (flushout) is not common.

### FEATURES

- 1/4" MNPT
- 175 psi max
- 140°F max
- Opening temperature 35°F
- Closing temperature 40°F
- Test cock: 1/8" MNPT X 1/4" FNPT
- Compact size and shape allow for ease of installation

## BVMS – BALL VALVE MONITOR SWITCH



### APPLICATIONS

The Model BVMS is designed to monitor the fully open position of a ball valve installed in a sprinkler system. The BVMS will mount onto Wilkins 950XL, 950XL2, 975XL, and 975XL2 backflow preventers.

### FEATURES

- 3/4" - 2"
- For use on 950XL, 950XL2, 975XL, and 975XL2
- Complete with mounting hardware
- Contacts for both normally open and normally closed operation
- NO/NC SPDT contacts: 10A at 125/250 VAC, 2A at 30 VDC
- On backflow installations a switch is required on each ball valve, thus two BVMS are required

SIZE	INLET X OUTLET CONNECTIONS / OPTIONS	LEAD-FREE PART NUMBER
<b>BVMS</b>		
3/4" - 1"	Small clamp w/ BV switch	BVMS-S40
1-1/4" - 2"	Large clamp w/ BV switch	BVMS-L40

## OSY-40 – GATE VALVE SUPERVISORY SWITCH KIT



### APPLICATIONS

The OSY-40 supervisory switch is used to monitor the open position of an OS&Y (outside stem and yoke) type gate valve.

### FEATURES

- For use on OS&Y type gate valves sizes 2-1/2" thru 12"
- Kit includes switch and bracket for installation
- On backflow installations a switch is required on each OS&Y gate valve

### APPROVALS AND APPLICABLE STANDARDS

- UL listed and CSFM Listed, FM approved, NYMEA accepted, CE marked
- Complies with NFPA 13, 13D, 13R, 71 and 72

SIZE	INLET X OUTLET CONNECTIONS / OPTIONS	LEAD-FREE PART NUMBER
<b>OSY-40</b>		
2-1/2" - 12"	OSY Switch	OSY-40

## 850XL SERIES – FULL PORT BALL VALVE



### APPLICATIONS

Zurn Wilkins Model 850XL full port brass ball valves are recommended for residential, commercial and industrial applications.

### FEATURES

- 3/8" - 2"
- 600 psi max
- Full port solid ball
- Bronze body

### APPROVALS AND APPLICABLE STANDARDS

- Certified to NSF/ANSI 372

SIZE	LEAD-FREE PART NUMBER
<b>850XL: FULL PORT BRONZE THREADED BALL VALVE, FNPT X FNPT</b>	
3/8"	38-850XL
1/2"	12-850XL
3/4"	34-850XL
1"	1-850XL
1-1/4"	114-850XL
1-1/2"	112-850XL
2"	2-850XL
<b>850TXL: FULL PORT BRONZE THREADED BALL VALVE, FNPT X FNPT, TAPPED</b>	
3/8"	38-850TXL
1/2"	12-850TXL
3/4"	34-850TXL
1"	1-850TXL
1-1/4"	114-850TXL
1-1/2"	112-850TXL
2"	2-850TXL

SIZE	LEAD-FREE PART NUMBER
<b>850UXL: FULL PORT BRONZE THREADED BALL VALVE, FNPT UNION X FNPT</b>	
3/4"	34-850UXL
1"	1-850UXL
1-1/4"	114-850UXL
1-1/2"	112-850UXL
2"	2-850UXL
<b>850TUXL: FULL PORT BRONZE THREADED BALL VALVE, FNPT UNION X FNPT, TAPPED</b>	
3/4"	34-850TUXL
1"	1-850TUXL
1-1/4"	114-850TUXL
1-1/2"	112-850TUXL
2"	2-850TUXL
<b>850MXL: FULL PORT BRONZE THREADED BALL VALVE, MNPT X FNPT</b>	
3/8"	38-850MXL
1/2"	12-850MXL
<b>850TMXL: FULL PORT BRONZE THREADED BALL VALVE, MNPT X FNPT, TAPPED</b>	
3/8"	38-850TMXL
1/2"	12-850TMXL

## 48 SERIES – NRS GATE VALVE



### APPLICATIONS

Designed for installation on potable water lines, irrigation systems, and waterworks connections.

### FEATURES

- 2-1/2" - 12"
- 250 psi max
- Non-rising stem
- Full flow waterway
- Tapped and plugged

### APPROVALS AND APPLICABLE STANDARDS

- Valves conform to ANSI/AWWA C515 and C550
- Flanges conform to ANSI/ASME B16.1
- Grooved end conforms to ANSI/AWWA C606
- UL® Listed, C-UL® Listed, FM® Approved
- Certified to NSF/ANSI 372

### ACCESSORIES

2" Square operating nut available

SIZE	LEAD-FREE PART NUMBER
<b>48: NRS GATE VALVES, FLANGED X FLANGED</b>	
2-1/2"	212-48
3"	3-48
4"	4-48
6"	6-48
8"	8-48
10"	10-48
12"	12IN-48
<b>48G: NRS GATE VALVES, GROOVED X GROOVED</b>	
2-1/2"	212-48G
3"	3-48G
4"	4-48G
6"	6-48G
8"	8-48G
10"	10-48G
<b>48GXF: NRS GATE VALVES, GROOVED X FLANGED</b>	
2-1/2"	212-48GXF
3"	3-48GXF
4"	4-48GXF
6"	6-48GXF
8"	8-48GXF
10"	10-48GXF

## 48OSY SERIES – OS&Y GATE VALVE



### FEATURES

- Sizes: 2" - 12"
- 250 psi max
- Outside stem and yoke (rising stem for visual indication)
- Full flow waterway
- Tapped and plugged

### APPROVALS AND APPLICABLE STANDARDS

- Grooved end conforms to ANSI/AWWA C606
- Flanged end conforms to ANSI/ASME B16.1
- Valves conform to ANSI/AWWA C515 and C550
- UL® listed, FM® Approved, C-UL® listed
- Certified to NSF/ANSI 372

### ACCESSORIES

- OS&Y gate valve supervisory switch (OSY-40)

SIZE	LEAD-FREE PART NUMBER
<b>48OSYCIT: OS&amp;Y GATE VALVES, FNPT X FNPT</b>	
2"	2-48OSYCIT
<b>48OSY: OS&amp;Y GATE VALVES, FLANGED X FLANGED</b>	
2-1/2"	212-48OSY
3"	3-48OSY
4"	4-48OSY
6"	6-48OSY
8"	8-48OSY
10"	10-48OSY
12"	12IN-48OSY
<b>48OSYG: OS&amp;Y GATE VALVES, GROOVED X GROOVED</b>	
2-1/2"	212-48OSYG
3"	3-48OSYG
4"	4-48OSYG
6"	6-48OSYG
8"	8-48OSYG
10"	10-48OSYG
<b>48OSYGXF: OS&amp;Y GATE VALVES, GROOVED X FLANGED</b>	
2-1/2"	212-48OSYGXF
3"	3-48OSYGXF
4"	4-48OSYGXF
6"	6-48OSYGXF
8"	8-48OSYGXF
10"	10-48OSYGXF

### APPLICATIONS

Designed for installation on potable water lines, waterworks connections, and fire systems.

## 48PIV – POST INDICATOR GATE VALVE



### APPLICATIONS

Designed for installation on potable water lines leading to fire suppression systems.

### FEATURES

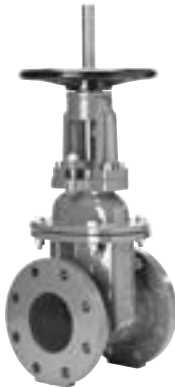
- 2-1/2" - 10"
- 250 psi max
- Universal post indicator (PI) plate and operating nut
- Resilient seated
- Full flow waterway
- Tapped and plugged

### APPROVALS AND APPLICABLE STANDARDS

- Grooved end conforms to ANSI/AWWA C606
- Flanged end conforms to ANSI/ASME B16.1
- Valves conform to ANSI/AWWA C515 and C550
- UL® listed, FM® Approved, C-UL® listed
- Certified to NSF/ANSI 372

SIZE	LEAD-FREE PART NUMBER
<b>48PIV: POST INDICATOR GATE VALVE, FLANGED X FLANGED</b>	
2-1/2"	212-48PIV
3"	3-48PIV
4"	4-48PIV
6"	6-48PIV
8"	8-48PIV
10"	10-48PIV
12"	12IN-48PIV
<b>48PIVG: POST INDICATOR GATE VALVE, GROOVED X GROOVED</b>	
2-1/2"	212-48PIVG
3"	3-48PIVG
4"	4-48PIVG
6"	6-48PIVG
8"	8-48PIVG
10"	10-48PIVG
<b>48PIVGXF: POST INDICATOR GATE VALVE, GROOVED X FLANGED</b>	
2-1/2"	212-48PIVGXF
3"	3-48PIVGXF
4"	4-48PIVGXF
6"	6-48PIVGXF
8"	8-48PIVGXF
10"	10-48PIVGXF
12"	12IN-48PIVGXF

## F48OSYF SERIES – FIRE OS&Y UNTAPPED GATE VALVE



### APPLICATIONS

The Zurn F48OSYF Fire OS&Y Untapped rising stem resilient wedge gate valve provides a visual indication of valves open/closed position. Used as a control valve in fire protection systems.

### FEATURES

- Sizes: 2 1/2" - 10"
- 250 psi max
- Outside stem and yoke, resilient wedge gate valve
- Low-lead law compliant

### APPROVALS AND APPLICABLE STANDARDS

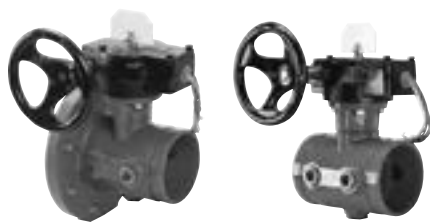
- Valves conform to AWWA C515 and C550
- Flanged end conforms to ANSI/ASME B16.42 class 150
- UL® Listed, C-UL® Listed, FM® Approved

### ACCESSORIES

OS&Y gate valve supervisory switch (OSY-40)

SIZE	LEAD-FREE EXEMPT PART NUMBER
<b>F48OSYF: FIRE OS&amp;Y UNTAPPED GATE VALVES, FLANGED X FLANGED, NO TAPPED BOSSES</b>	
2-1/2"	212-F48OSYF
3"	3-F48OSYF
4"	4-F48OSYF
6"	6-F48OSYF
8"	8-F48OSYF
10"	10-F48OSYF

## 49 SERIES – BUTTERFLY VALVE



### APPLICATIONS

Designed for installation on potable water lines, irrigation systems, waterworks connections, and fire systems.

### FEATURES

- 2-1/2" - 10"
- 175 psi max
- Grooved or flanged end connections
- Weatherproof actuator for indoor or outdoor installations
- Integral supervisory switch with visual indicator

### APPROVALS AND APPLICABLE STANDARDS

- UL® listed, FM® Approved, C-UL® listed
- Certified to NSF/ANSI 372

SIZE	LEAD-FREE PART NUMBER
<b>49G: BUTTERFLY VALVE, GROOVED X GROOVED</b>	
2-1/2"	212-49G
3"	3-49G
4"	4-49G
6"	6-49G
8"	8-49G
10"	10-49G
<b>49FXG: BUTTERFLY VALVE, FLANGED X GROOVED</b>	
2-1/2"	212-49FXG
3"	3-49FXG
4"	4-49FXG
6"	6-49FXG
8"	8-49FXG
10"	10-49FXG
<b>49GXF: BUTTERFLY VALVE, GROOVED X FLANGED</b>	
2-1/2"	212-49GXF
3"	3-49GXF
4"	4-49GXF
6"	6-49GXF
8"	8-49GXF
10"	10-49GXF

## FLUSH FITTING TOOLS – 350/375 BACKFLOW PREVENTERS



### FEATURES

- Unique Blow-Out Flush Fitting (BOF)
- Two O-rings
- 18" leader garden hose (3/4" female hose swivel connection by 3/4" male hose thread connection)

SIZE	LEAD-FREE EXEMPT PART NUMBER
<b>350 SERIES FLUSH TOOL FOR EASY LINE FLUSHING AT STARTUP</b>	
3/4"	RK34-350FLUSH
1"	RK1-350FLUSH
1-1/4" - 2"	RK114-350-375FLUSH
<b>375 SERIES FLUSH TOOL FOR EASY LINE FLUSHING AT STARTUP</b>	
1/2" - 3/4"	RK34-375FLUSH
1"	RK1-375FLUSH
1-1/4" - 2"	RK114-350-375FLUSH

### APPLICATIONS

Line flushing is simple, safe and easily directed to a safe drain. Flushing can be accomplished by one person, saving up to 15 minutes per installation and preventing debris from fouling the backflow preventer, eliminating call-backs and unnecessary maintenance or replacement of the backflow preventer.

## TG-3 AND TG-5 – BACKFLOW ASSEMBLY TEST KITS



### FEATURES

- 200 psi max
- Temperature range 35° to 150°F
- Gauge dial 4-1/2" diameter, 0 – 15 psi scale
- 200 psi line pressure gauge dial
- Accuracy: ±0.2 psid (descending)
- Soft-seated needle valve with replaceable seats (Model TG-3, 3 total) (Model TG-5, 5 total)
- Hoses and fittings (Three) 5' lengths; color-coded and (one) 4' long clear bleed tube (Model TG-5)
- SAE 45° flare fittings and 90-micron cleanable porous metal filters
- Five-year warranty against defects in materials and manufacturing

PART NUMBER
<b>TG-3 AND TG-5 – BACKFLOW ASSEMBLY TEST KITS</b>
TG-3
TG-5

### APPLICATIONS

Designed for testing all brands of pressure type vacuum breakers, spill resistant pressure vacuum breakers, double check valve, and reduce pressure type backflow prevention assemblies.

## QT-SET (BRASS) AND QTP (PLASTIC) – QUICK TEST FITTINGS



### PART NUMBER

#### QT-SET QUICK TEST FITTINGS

Set includes 3 each sizes: 1/4", 1/2" and 3/4". SAE flare fittings for fast connect/disconnect.

#### QT-SET

\* Also available in a 1/4" thermoplastic model (RK-QTP).

#### QTP QUICK TEST PLASTIC FITTINGS

RK14-QTP



### APPLICATIONS

Adapter kit designed to connect backflow prevention assemblies to a differential pressure test gauge.

### FEATURES

- Set includes 3 each in sizes: 1/4", 1/2", 3/4"
- Tear resistant o-rings
- SAE 45 flare fittings – SAE J513
- Knurled for easy gripping
- Includes 3 spare o-rings per size

### APPLICATIONS

High visibility, inexpensive adapters designed to connect backflow prevention assemblies to a differential pressure test gauge.

### FEATURES

- 1/4"
- Bright orange for visibility
- SAE 45° Flare Fittings – SAE J513
- Sold in convenient 3-pack

## 400 SERIES SETTER



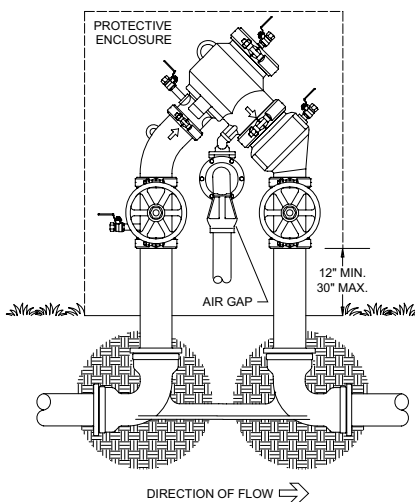
### APPLICATIONS

Aids in installation of the ductile iron n-Pattern Model 450 and 475 series backflow prevention assemblies.

### FEATURES

- 2-1/2" - 10"
- Ductile iron epoxy coated inside and out

### TYPICAL INSTALLATION



SIZE	LEAD-FREE PART NUMBER
<b>FLS: FLANGED X FLANGED</b>	
2-1/2"	212-FLS
3"	3-FLS
4"	4-FLS
6"	6-FLS
8"	8-FLS
10"	10-FLS
<b>MJFS: FLANGED X MECHANICAL JOINT</b>	
3"	3-MJFS
4"	4-MJFS
6"	6-MJFS
8"	8-MJFS
10"	10-MJFS
<b>MJS: MECHANICAL JOINT X MECHANICAL JOINT</b>	
3"	3-MJS
4"	4-MJS
6"	6-MJS
8"	8-MJS
10"	10-MJS

## 400ST SERIES SETTER

**NEW**



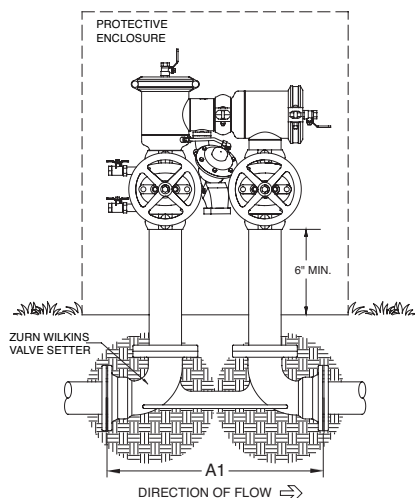
### APPLICATIONS

Aids in installation of the stainless steel n-Pattern Model 450ST and 475ST series backflow prevention assemblies.

### FEATURES

- 4" - 10"
- Ductile iron epoxy coated inside and out

### TYPICAL INSTALLATION



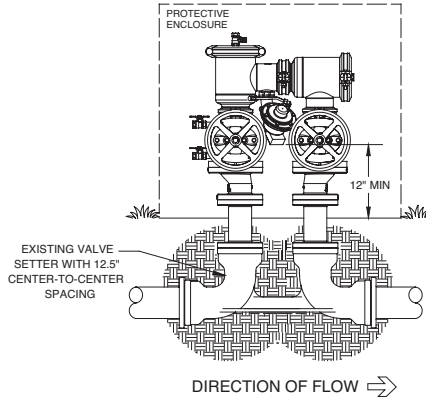
SIZE	LEAD-FREE PART NUMBER
<b>FLSST: FLANGED X FLANGED</b>	
4"	4-FLSST
6"	6-FLSST
8"	8-FLSST
10"	10-FLSST
<b>MJFSST: FLANGED X MECHANICAL JOINT</b>	
4"	4-MJFSST
6"	6-MJFSST
8"	8-MJFSST
10"	10-MJFSST
<b>MJSST: MECHANICAL JOINT X MECHANICAL JOINT</b>	
4"	4-MJSST
6"	6-MJSST
8"	8-MJSST
10"	10-MJSST

For additional product information, please visit [www.zurn.com](http://www.zurn.com).

## RFK4X3-400ST - 4" X 3" SETTER ADAPTERS FOR 400ST SERIES



### TYPICAL INSTALLATION



SIZE	LEAD-FREE EXEMPT PART NUMBER
RFK4X3-400ST: FLANGED X FLANGED	
4" X 3"	RFK4X3-400ST

### APPLICATIONS

The RFK4X3-400ST Zurn Wilkins setter adapters are ideal for retrofitting existing competitor 3" n-Pattern backflow installations with a Zurn Wilkins 4" 400ST series stainless steel n-Pattern backflow preventer.

### FEATURES

- Retrofit kit includes two offset adapters with 4" x 3" flanged connections
- Designed to adapt Zurn Wilkins 4" 400ST series stainless steel n-pattern backflow preventers to existing 3" risers with 12.5" center-to-center spacing
- Adapters used in conjunction with Zurn Wilkins 4" 400ST series for a direct drop-in-replacement for retrofitting existing competitor 3" n-Pattern backflow installations
- Lead-free ductile iron body with FDA Approved fusion epoxy coating

## AG SERIES - AIR GAP



AG-4 thru AG-8 AG-9 & AG-10 AG-11 & AG-12 AG-13 & AG-14

SIZE	INLET X OUTLET CONNECTIONS / OPTIONS	PART NUMBER
<b>AG, AIR GAP DRAIN</b>		
1/4" - 1/2"	975XL, Iron, 1" NPT Outlet	AG-8
3/4" - 1"	975XL, Iron, 1" NPT Outlet	AG-4
1-1/4" - 2"	975XL, Iron, 2" NPT Outlet	AG-5
3/4" - 1"	375, Composite, 2" IPS Slip Outlet	AG-11
1-1/4" - 2"	375, Composite, 3" IPS Slip Outlet	AG-12
2-1/2" - 6"	375, 375A & 475, Iron, 3" NPT Outlet	AG-6
8" - 10"	375, 375A & 475, Iron, 4" NPT Outlet	AG-7
2-1/2" - 3"	475V, Iron, 3" NPT Outlet	AG-6
4" - 6"	475V, Iron, with Elbow, 3" NPT Outlet	AG-9
8" - 10"	475V, Iron, with Elbow, 4" NPT Outlet	AG-10
4" - 6"	475ST, 475STV, with Elbow, 3" NPT Outlet	AG-13
8" - 10"	475ST, 475STV, with Elbow, 4" NPT Outlet	AG-14

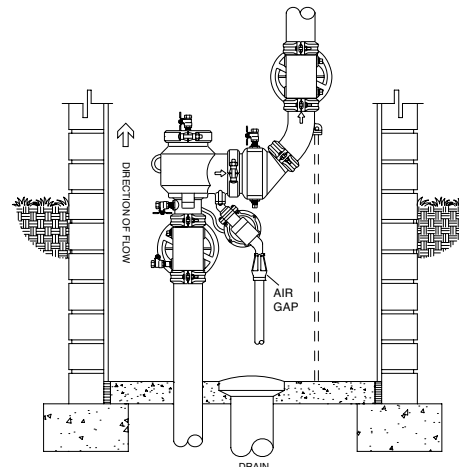
### APPLICATIONS

Code mandated device that is necessary when installing a drain line to the relief valve on a Reduced Pressure Principle Assembly. Used primarily in indoor installations.

### FEATURES

- See table for applicable outlet pipe sizes
- For use with 1/4" thru 10" Model 975 series, 375 series, 475 and 475ST series Reduced Pressure Principle backflow preventers

### TYPICAL INSTALLATION



INDOOR INSTALLATION

# STRAINERS

Strainers play an integral role in many types of plumbing systems by filtering out debris that could damage sensitive valves and equipment. Zurn Wilkins offers a variety of strainers to meet your plumbing product needs.

<b>YBXL SERIES</b> – WYE STRAINER	<b>64</b>
<b>SXL SERIES</b> – WYE STRAINER	<b>65</b>
<b>FSC SERIES</b> – WYE STRAINER	<b>65</b>



# YBXL SERIES - WYE STRAINER



SIZE	LEAD-FREE PART NUMBER
<b>YBXL: FNPT X FNPT, 20 MESH SCREEN</b>	
1/2"	12-YBXL
3/4"	34-YBXL
1"	1-YBXL
1-1/4"	114-YBXL
1-1/2"	112-YBXL
2"	2-YBXL
2-1/2"	212-YBXL
3"	3-YBXL
<b>YBXL: FEMALE CU SWT X FEMALE CU SWT</b>	
1/2"	12-YBXL
3/4"	34-YBXL
1"	1-YBXL
1-1/4"	114-YBXL
1-1/2"	112-YBXL
2"	2-YBXL

OPTIONS AND LIST PRICE ADDERS (ADD OPTION TO LIST PRICE TO DETERMINE TOTAL LIST PRICE)	
SIZE	
<b>100 MESH SCREEN</b>	
1/2"	
3/4"	
1"	
1-1/4"	
1-1/2"	
2"	
2-1/2"	
3"	
<i>Part number will be designated using "-100" (e.g. 2-YBXL-100).</i>	
<b>CLOSURE PLUG (P) OPTION: FNPT X FNPT (E.G. 2-YBXL P)</b>	
1/2"	
3/4"	
1"	
1-1/4"	
1-1/2"	
2"	
<i>Part number will be designated with the "P" option (e.g. 2-YBXL P).</i>	

## APPLICATIONS

The YBXL series wye strainers are a perfect choice for preventing damage to downstream components due to sand and debris in the water.

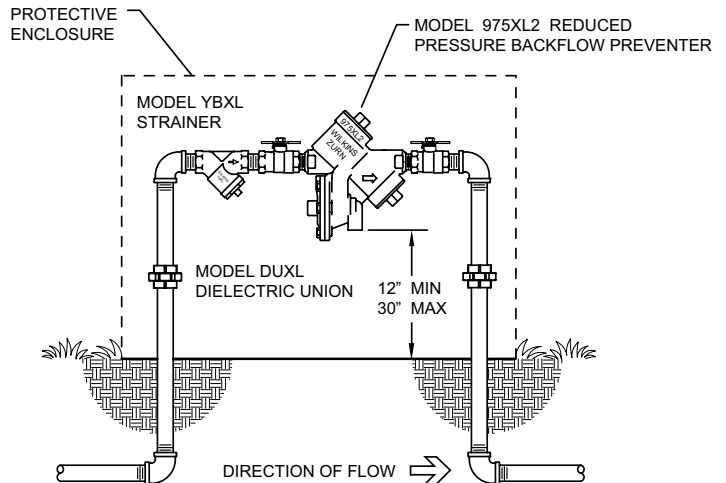
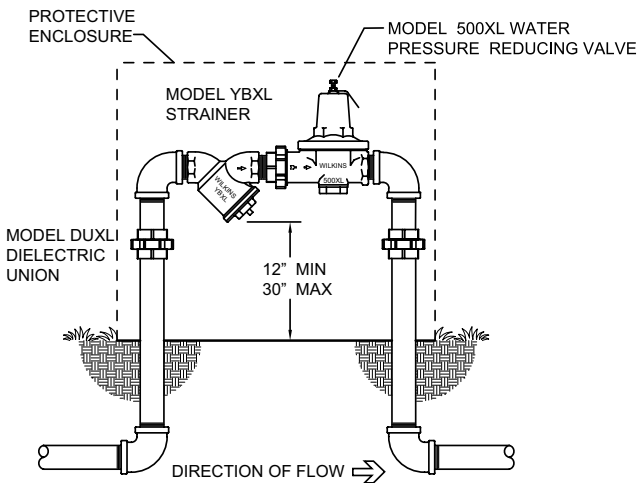
## FEATURES

- 1/2" - 3"
- Furnished with 20 mesh stainless steel strainer
- 100 mesh screens available
- Bronze body construction
- FNPT connections less closure plug (standard)
- Domestic manufacture
- Certified to NSF/ANSI 372

## APPROVALS AND APPLICABLE SPECIFICATIONS

Certified to NSF/ANSI 372

## TYPICAL INSTALLATION



## SXL SERIES - WYE STRAINER



### APPLICATIONS

Recommended for a variety of water service lines including residential and commercial irrigation, swimming pools, and cooling tower water.

### FEATURES

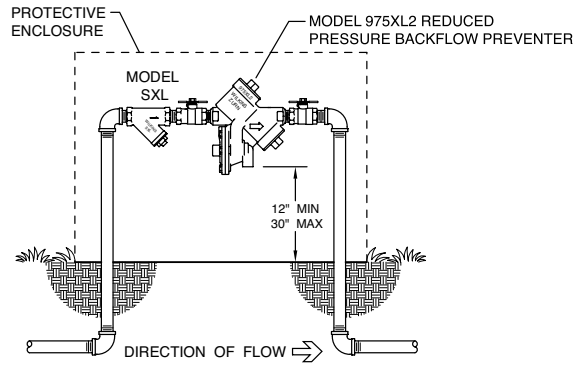
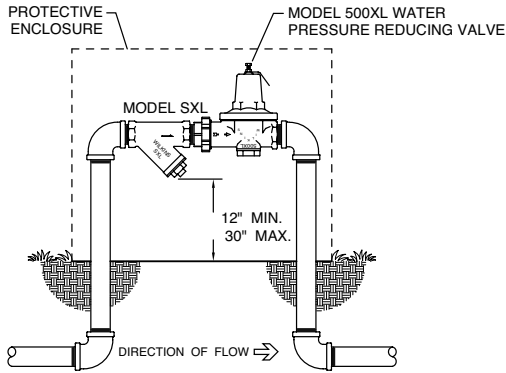
- 3/8" - 3"
- Furnished with 20 mesh stainless steel strainer
- Bronze body construction
- Supplied with brass closure plug
- Certified to NSF/ANSI 61

### APPROVALS AND APPLICABLE SPECIFICATIONS

Certified to NSF/ANSI 61

SIZE	LEAD-FREE PART NUMBER
<b>SXL: FNPT X FNPT</b>	
3/8"	38-SXL
1/2"	12-SXL
3/4"	34-SXL
1"	1-SXL
1-1/4"	114-SXL
1-1/2"	112-SXL
2"	2-SXL
2-1/2"	212-SXL
3"	3-SXL
<b>SXLC: FEMALE CU SWT X FEMALE CU SWT</b>	
3/4"	34-SXLC
1"	1-SXLC

### TYPICAL INSTALLATION



## FSC SERIES - WYE STRAINER



### APPLICATIONS

The FSC series flanged wye strainers are perfectly suited for protecting downstream equipment from fouling due to debris.

### FEATURES

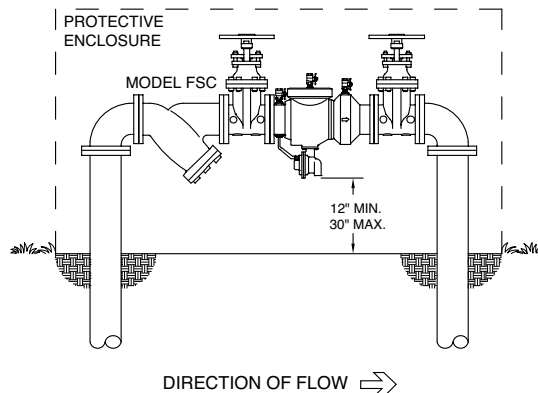
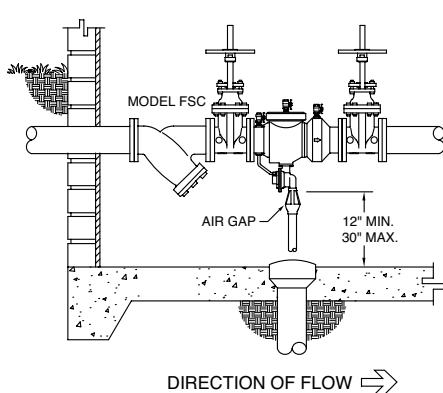
- 2-1/2" - 10"
- Epoxy coated cast iron
- Perforated self-aligning cylindrical metal screen
- Tapped for plug or blow off valve (Closure plug included)
- Domestic pricing available, please contact Zurn Customer Care

### APPROVALS AND APPLICABLE SPECIFICATIONS

Certified to NSF/ANSI 372

SIZE	LEAD-FREE PART NUMBER
<b>FSC STRAINER (FSC) OPTION: FDA EPOXY COATED INTERIOR/EXTERIOR</b>	
2-1/2"	212-FSC
3"	3-FSC
4"	4-FSC
6"	6-FSC
8"	8-FSC
10"	10-FSC
12"	12IN-FSC

### TYPICAL INSTALLATION



# NOTES

BACKFLOW  
PREVENTERS

BACKFLOW PREVENTERS  
ACCESSORIES

STRAINERS

AUTOMATIC  
CONTROL VALVES

PRESSURE  
REDUCING VALVES

FIRE  
PROTECTION VALVES

THERMOSTATIC  
MIXING VALVES

RELIEF VALVES

MISCELLANEOUS  
PLUMBING PRODUCTS

REPAIR KITS

# AUTOMATIC CONTROL VALVES

Zurn Wilkins automatic control valves provide innovative solutions to specific water system requirements. Zurn Wilkins offers the best valve features available, delivering lowest cost of ownership and life-cycle cost, the best industry lead time, and a comprehensive set of approvals.

With standard features such as isolation valves, gauges, wye strainer, and epoxy coating, the Zurn Wilkins 200 Series allows for easier and faster commissioning and maintenance.

<b>ACV PART NUMBER CONFIGURATION TOOL</b>	<b>68</b>
<b>ZW209 SERIES</b> – PRESSURE REDUCING VALVE	<b>69</b>
<b>ZW207 SERIES</b> – EXCESS PRESSURE SHUT-OFF VALVE	<b>70</b>
<b>ZW206 SERIES</b> – SOLENOID CONTROL VALVE	<b>71</b>
<b>ZW205 SERIES</b> – PRESSURE RELIEF, PRESSURE SUSTAINING VALVE	<b>72</b>
<b>ZW204 SERIES</b> – NON-MODULATING FLOAT VALVE	<b>73</b>
<b>ZW218 SERIES</b> – SLOW CLOSE CHECK VALVE	<b>74</b>
<b>ZW221/ZW222 SERIES</b> – ALTITUDE LEVEL CONTROL VALVES	<b>75</b>
<b>ZW209FP SERIES</b> – FIRE PROTECTION PRESSURE REDUCING VALVE	<b>76</b>
<b>ZW205FP SERIES</b> – FIRE PROTECTION PRESSURE RELIEF VALVE	<b>77</b>
<b>ZW215FP SERIES</b> – FIRE PUMP SUCTION CONTROL VALVE	<b>78</b>
<b>AUTOMATIC CONTROL VALVE OPTIONS AND ACCESSORIES</b>	<b>79</b>

# ACV PART NUMBER CONFIGURATION TOOL

## EXAMPLE

212 -

ZW209

A

Y

LP

Code	Description
<b>Plumbing Pipe Size</b>	
114	1-1/4"
112	1-1/2"
2	2"
212	2-1/2"
3	3"
4	4"
6	6"
8	8"
10	10"
12	12"
14	14"
16	16"
<b>Base Part Number</b>	
ZW204	Non-Modulating Float Valve
ZW205	Pressure Relief / Sustaining
ZW205FP	Pressure Relief / Sustaining, Fire Protection
ZW206	Solenoid
ZW207	Shut-Off Valve
ZW209	Pressure Reducing
ZW209BP	Pressure Reducing w / Integral Bypass
ZW209E	Pressure Reducing w / Solenoid
ZW209FP	Pressure Reducing, Fire Protection
ZW209H	Pressure Reducing / Sustaining
ZW209Q	Pressure Reducing / Surge Protection
ZW215FP	Pump Control, Fire Protection
ZW218	Check Valve
ZW221	Altitude Level Control - One Way
ZW222	Altitude Level Control - Two Way
<b>Body Type</b>	
(blank)	Globe In Line Body
A	Angle Body
R	Reduced Port Body

Code	Description
<b>End Connections</b>	
(blank)	Class 150 flanged (Fire Class 300)
G	Grooved
TH	Threaded
Y	Class 300 flanged
X	Class 150 flanged (Fire Only)
<b>Available Options (Varies by Model)</b>	
C	Hydraulic Check
L	Closing Speed Control
O	Opening Speed Control
V	Viton Rubber
Z	Position Indicator
LP	Low Pressure (by model)
LP2	2nd Lowest Pressure (by model)
LP3	Lowest pressure (varies by model)
HP	High Pressure Range
SP	Stainless Steel Pilotry
SH	Stainless Braided Hose
VM	Valve Mounted Float Pilot
R2	24" Rod Extension
R1	12" Rod Extension
R3	36" Rod Extension
NC	120v60hz Normally Closed
NO	120v60hz Normally Open
24NC	24v60hz Normally Closed
24NO	24v60hz Normally Open
NS	Non-standard Solenoid
MO	Manual Operator
W	Remote Pressure/Sensing
F	Atmospheric Drain
RV	Pilot on Reverse side
GL	Liquid Filled Gauges

# ZW209 SERIES – PRESSURE REDUCING VALVE



## APPLICATIONS

Steady downstream pressure and high flow rates are provided with the ZW209 Pressure Reducing Automatic Control Valve.

## FEATURES

- 1-1/4" - 16"
- Globe, reduced port globe, and angle bodies available
- Standard downstream pressure range 15 to 150 psi, contact factory for other range options
- Pressure rating: 150 Class flanged, 250 psi max; 300 Class flanged or grooved, 400 psi max; Threaded, 400 psi max
- 140°F max
- Pressure gauges, wye strainer, isolation valves, and epoxy coating come standard
- Opening Speed Control standard (sizes 1-1/4" - 4")

## APPROVALS AND APPLICABLE STANDARDS

- Certified to NSF/ANSI 61 and 372

## IMPORTANT

Completed order form required.

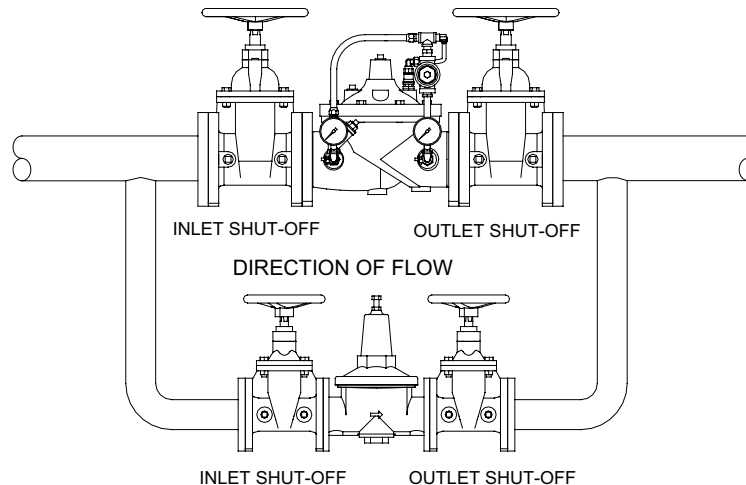
SIZE	LEAD-FREE PART NUMBER
<b>ZW209: PRESSURE REDUCING VALVE, CLASS 150, FLANGED X FLANGED</b>	
1-1/4"	114-ZW209TH
1-1/2"	112-ZW209
2"	2-ZW209
2-1/2"	212-ZW209
3"	3-ZW209
4"	4-ZW209
6"	6-ZW209
8"	8-ZW209
10"	10-ZW209
12"	12-ZW209
14"	14-ZW209
16"	16-ZW209
<b>ZW209Y: PRESSURE REDUCING VALVE, CLASS 300, FLANGED X FLANGED</b>	
1-1/2"	112-ZW209Y
2"	2-ZW209Y
2-1/2"	212-ZW209Y
3"	3-ZW209Y
4"	4-ZW209Y
6"	6-ZW209Y
8"	8-ZW209Y
10"	10-ZW209Y
12"	12-ZW209Y
14"	14-ZW209Y
16"	16-ZW209Y
<b>ZW209BP: PRESSURE REDUCING VALVE WITH LOW FLOW BY-PASS, CLASS 150, FLANGED X FLANGED</b>	
1-1/4"	114-ZW209BPTH
1-1/2"	112-ZW209BP
2"	2-ZW209BP
2-1/2"	212-ZW209BP
3"	3-ZW209BP
4"	4-ZW209BP
<b>ZW209BPY: PRESSURE REDUCING VALVE WITH LOW FLOW BY-PASS, CLASS 300, FLANGED X FLANGED</b>	
1-1/2"	112-ZW209BPY
2"	2-ZW209BPY
2-1/2"	212-ZW209BPY
3"	3-ZW209BPY
4"	4-ZW209BPY
<b>ZW209 / ZW209BP: OPTION</b>	
<b>OPENING SPEED CONTROL (O) OPTION, (STANDARD ON ZW209 AND ZW209BP 4" AND SMALLER)</b>	
6" - 10"	O Option

SIZE	LEAD-FREE PART NUMBER
<b>ZW209E: PRESSURE REDUCING VALVE WITH SOLENOID SHUT-OFF, CLASS 150, FLANGED X FLANGED</b>	
1-1/4"	114-ZW209ETH
1-1/2"	112-ZW209E
2"	2-ZW209E
2-1/2"	212-ZW209E
3"	3-ZW209E
4"	4-ZW209E
6"	6-ZW209E
8"	8-ZW209E
10"	10-ZW209E
12"	12-ZW209E
14"	14-ZW209E
16"	16-ZW209E
<b>ZW209EY: PRESSURE REDUCING VALVE WITH SOLENOID SHUT-OFF, CLASS 300, FLANGED X FLANGED</b>	
1-1/2"	112-ZW209EY
2"	2-ZW209EY
2-1/2"	212-ZW209EY
3"	3-ZW209EY
4"	4-ZW209EY
6"	6-ZW209EY
8"	8-ZW209EY
10"	10-ZW209EY
12"	12-ZW209EY
14"	14-ZW209EY
16"	16-ZW209EY
<b>OPTIONS FOR ALL ZW209S</b>	
SIZE	DESCRIPTION
<b>ZW209H: PRESSURE REDUCING / PRESSURE SUSTAINING FUNCTION, CLASS 150, FLANGED X FLANGED</b>	
1-1/4" - 16"	H Option to ZW209
<b>ZW209Q: PRESSURE REDUCING / SURGE CONTROL VALVE, CLASS 150, FLANGED X FLANGED</b>	
1-1/4" - 16"	Q Option to ZW209
<b>LOW PRESSURE RANGE PILOT (5-25 PSI) (LP) OPTION</b>	
1-1/4" - 16"	LP Option
<b>HIGH PRESSURE RANGE PILOT (30-300 PSI) (HP) OPTION</b>	
1-1/4" - 16"	HP Option
<b>FOR ZW209H ONLY - LOW PRESSURE RANGE PILOT AND HIGH PRESSURE RANGE PILOT (LPHP) OPTION</b>	
1-1/4" - 16"	LPHP Option

For threaded or grooved end connections and angle body pricing, use Class 150 valve pricing.

For reduced port body pricing, see Options and Accessories on page 79.

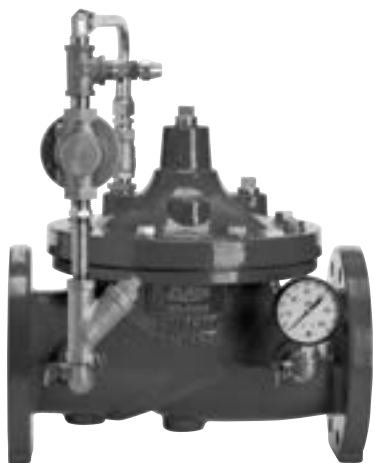
## TYPICAL INSTALLATION



For additional product information, please visit [www.zurn.com](http://www.zurn.com).

BACKFLOW PREVENTERS  
ACCESSORIES  
STRAINERS  
AUTOMATIC CONTROL VALVES  
PRESSURE REDUCING VALVES  
PROTECTION VALVES  
FIRE  
THERMOSTATIC MIXING VALVES  
RELIEF VALVES  
MISCELLANEOUS PLUMBING PRODUCTS  
REPAIR KITS

# ZW207 SERIES – EXCESS PRESSURE SHUT-OFF VALVE



## FEATURES

- 1-1/4" - 16"
- Globe, reduced port globe, and angle bodies available
- Pilot Spring Range 50-200 psi
- Pressure rating: 150 Class flanged, 250 psi max; 300 Class flanged or grooved, 400 psi max; Threaded, 400 psi max
- 140°F max
- Commonly used in conjunction with a ZW209 for system redundancy
- Pressure gauge, wye strainer, isolation valves, and epoxy coating come standard

## APPROVALS AND APPLICABLE STANDARDS

- ANSI/AWWA C530
- Certified to NSF/ANSI 61 and 372

## IMPORTANT

Completed order form required.

SIZE	LEAD-FREE PART NUMBER
<b>ZW207: EXCESS PRESSURE SHUTDOWN VALVE, CLASS 150, FLANGED X FLANGED</b>	
1-1/4"	114-ZW207TH
1-1/2"	112-ZW207
2"	2-ZW207
2-1/2"	212-ZW207
3"	3-ZW207
4"	4-ZW207
6"	6-ZW207
8"	8-ZW207
10"	10-ZW207
12"	12-ZW207
14"	14-ZW207
16"	16-ZW207
<b>ZW207Y: EXCESS PRESSURE SHUTDOWN VALVE, CLASS 300, FLANGED X FLANGED</b>	
1-1/2"	112-ZW207Y
2"	2-ZW207Y
2-1/2"	212-ZW207Y
3"	3-ZW207Y
4"	4-ZW207Y
6"	6-ZW207Y
8"	8-ZW207Y
10"	10-ZW207Y

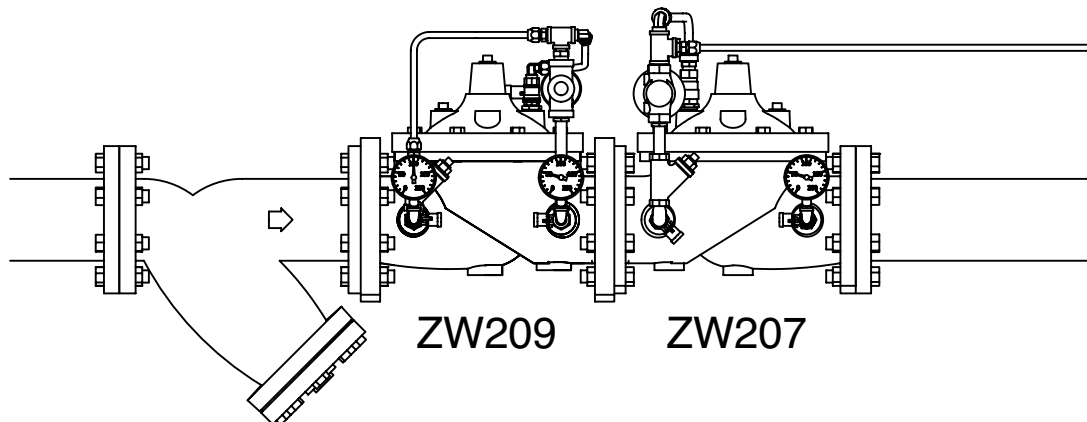
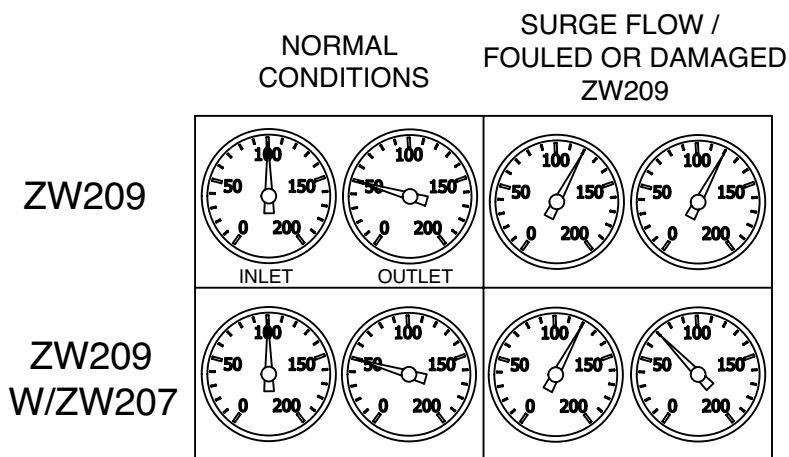
## APPLICATIONS

Protect downstream equipment from over-pressurization with the ZW207 Excess Pressure Shutdown valve. Closes in the event of high supply pressure.

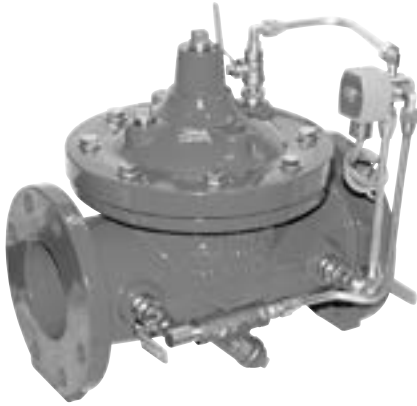
For threaded or grooved end connections and angle body pricing, use Class 150 valve pricing.

For reduced port body pricing, see Options and Accessories on page 79.

## TYPICAL INSTALLATION



# ZW206 SERIES – SOLENOID CONTROL VALVE



## FEATURES

- 1-1/4" - 16"
- Globe, reduced port globe, and angle bodies available
- Pressure rating: 150 Class flanged, 250 psi max; 300 Class flanged or grooved, 400 psi max; Threaded, 400 psi max
- 140°F max
- On/off type valve that either opens or closes upon receiving an electrical signal to the solenoid pilot control
- Valve is furnished either normally open (energized solenoid to close) or normally closed (energize solenoid to open)
- Wye strainer, isolation valves, and epoxy coating come standard
- NEMA Type 1, 2, 3, 3S, 4, 4X general purpose watertight solenoid

## APPLICATIONS

When the need arises to open or close a valve electrically, look no further than the non-modulating ZW206 Solenoid Control Valve.

## APPROVALS AND APPLICABLE STANDARDS

- ANSI/AWWA C530
- Certified to NSF/ANSI 61 and 372

## IMPORTANT

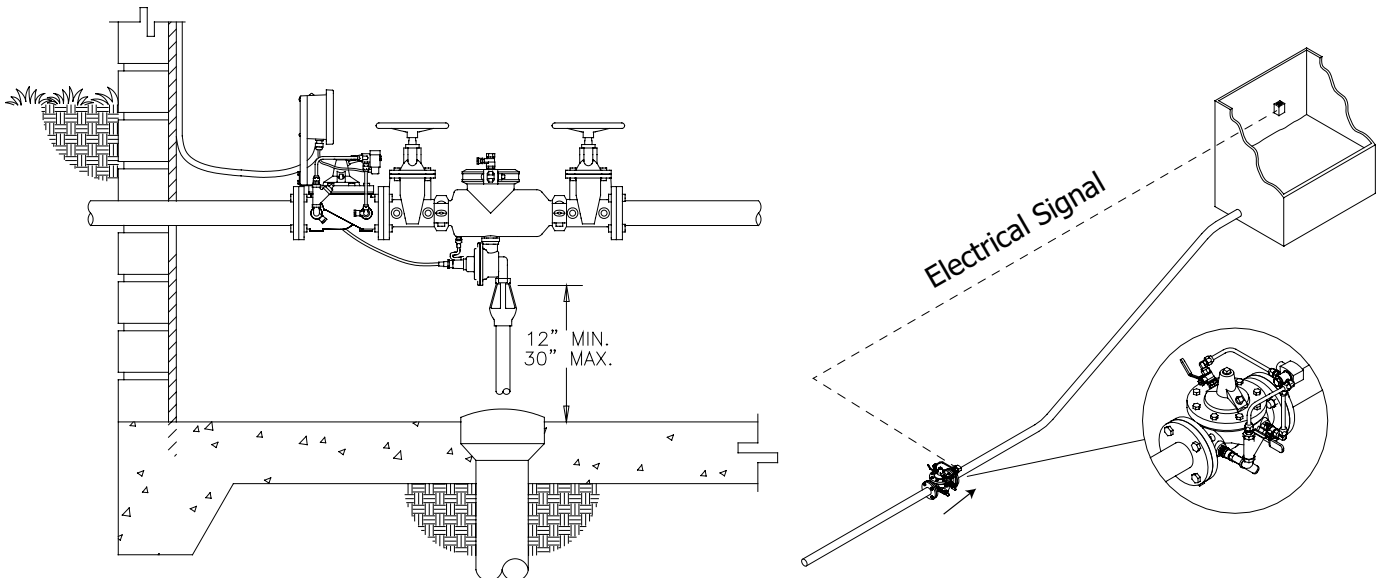
Completed order form required.

SIZE	LEAD-FREE PART NUMBER
<b>ZW206: SOLENOID CONTROL VALVE, CLASS 150, FLANGED X FLANGED</b>	
1-1/4"	114-ZW206TH
1-1/2"	112-ZW206
2"	2-ZW206
2-1/2"	212-ZW206
3"	3-ZW206
4"	4-ZW206
6"	6-ZW206
8"	8-ZW206
10"	10-ZW206
12"	12-ZW206
14"	14-ZW206
16"	16-ZW206
<b>ZW206: SOLENOID CONTROL VALVE, CLASS 300, FLANGED X FLANGED</b>	
1-1/2"	112-ZW206Y
2"	2-ZW206Y
2-1/2"	212-ZW206Y
3"	3-ZW206Y
4"	4-ZW206Y
6"	6-ZW206Y
8"	8-ZW206Y
10"	10-ZW206Y
12"	12-ZW206Y
14"	14-ZW206Y
16"	16-ZW206Y
<b>ZW206: OPTION</b>	
<b>MANUAL OPERATOR ON SOLENOID VALVE (MO) OPTION</b>	
1-1/4" - 10"	MO Option

For threaded or grooved end connections and angle body pricing, use Class 150 valve pricing.

For reduced port body pricing, see Options and Accessories on page 79.

## TYPICAL INSTALLATION





# ZW205 SERIES – PRESSURE RELIEF, PRESSURE SUSTAINING VALVE



## APPLICATIONS

High capacity pressure relief or upstream pressure control is the function of the modulating ZW205 pressure relief / pressure sustaining valve.

## FEATURES

- 1-1/4" - 16"
- Globe, reduced port globe, and angle bodies available
- Pilot spring range 50-200 psi
- Pressure rating: 150 Class flanged, 250 psi max; 300 Class flanged or grooved, 400 psi max; Threaded, 400 psi max
- 140°F max
- Pressure gauge, wye strainer, isolation valves, and epoxy coating come standard
- When used in a by-pass line, the Model ZW205 functions as a relief valve protecting against potentially damaging surges. Can also be used to sustain pressure when plumbed in line
- Closing speed control (Standard on 4" or smaller)

## APPROVALS AND APPLICABLE STANDARDS

- ANSI/AWWA C530
- Certified to NSF/ANSI 61 and 372

## IMPORTANT

Completed order form required.

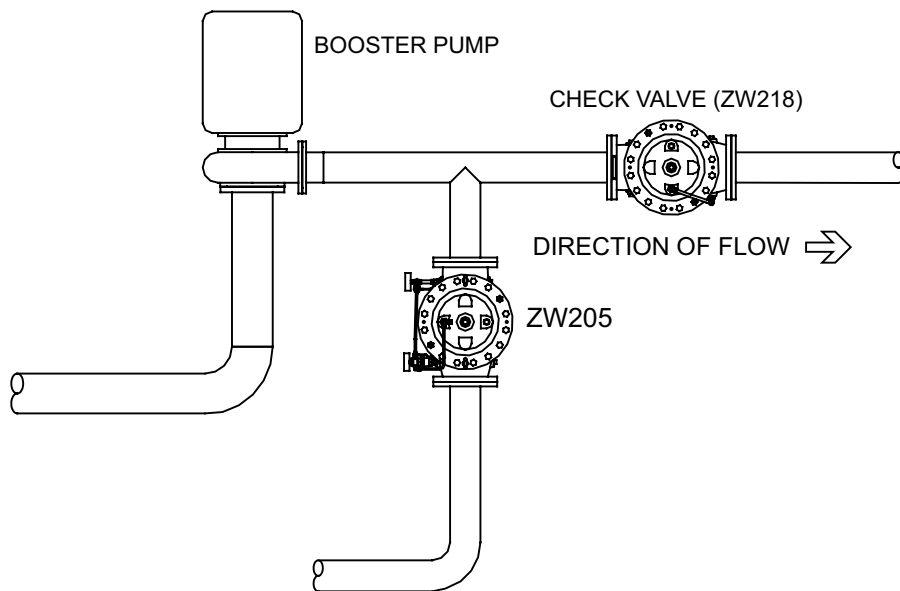
SIZE	LEAD-FREE PART NUMBER
<b>ZW205: PRESSURE RELIEF, PRESSURE SUSTAINING VALVE, CLASS 150, FLANGED X FLANGED</b>	
1-1/4"	114-ZW205TH
1-1/2"	112-ZW205
2"	2-ZW205
2-1/2"	212-ZW205
3"	3-ZW205
4"	4-ZW205
6"	6-ZW205
8"	8-ZW205
10"	10-ZW205
12"	12-ZW205
14"	14-ZW205
16"	16-ZW205
<b>ZW205Y: PRESSURE RELIEF, PRESSURE SUSTAINING VALVE, CLASS 300, FLANGED X FLANGED</b>	
1-1/2"	112-ZW205Y
2"	2-ZW205Y
2-1/2"	212-ZW205Y
3"	3-ZW205Y
4"	4-ZW205Y
6"	6-ZW205Y
8"	8-ZW205Y
10"	10-ZW205Y
12"	12-ZW205Y
14"	14-ZW205Y
16"	16-ZW205Y

<b>ZW205: OPTIONS</b>	
<b>CLOSING SPEED CONTROL (L) OPTION (STANDARD ON MODEL ZW205 4" AND SMALLER)</b>	
6" - 10"	L Option
<b>HIGH PRESSURE RANGE PILOT (150-300 PSI) (HP) OPTION</b>	
1-1/4" - 10"	HP Option
<b>LOW PRESSURE RANGE PILOT (30-90 PSI) (LP) OPTION</b>	
1-1/4" - 10"	LP Option
<b>LOW PRESSURE RANGE PILOT (10-35 PSI) (LP2) OPTION</b>	
1-1/4" - 10"	LP2 Option
<b>LOW PRESSURE RANGE PILOT (5-15 PSI) (LP3) OPTION</b>	
1-1/4" - 10"	LP3 Option

For threaded or grooved end connections and angle body pricing, use Class 150 valve pricing.

For reduced port body pricing, see Options and Accessories on page 79.

## TYPICAL INSTALLATION



# ZW204 SERIES – NON-MODULATING FLOAT VALVE



## FEATURES

- 1-1/4" - 16"
- Globe, reduced port globe, and angle bodies available
- Pressure rating: 150 Class flanged, 250 psi max; 300 Class flanged or grooved, 400 psi max; Threaded, 400 psi max
- 140°F max
- 1', 2', or 3' float rod extensions available
- Remotely mounted pilot (standard)
- Wye strainer, isolation valves, and epoxy coating come standard
- Corrosion resistant stainless steel float, rod, and Monel pilot valve seat

## APPROVALS AND APPLICABLE STANDARDS

- ANSI/AWWA C530
- Certified to NSF/ANSI 61 and 372

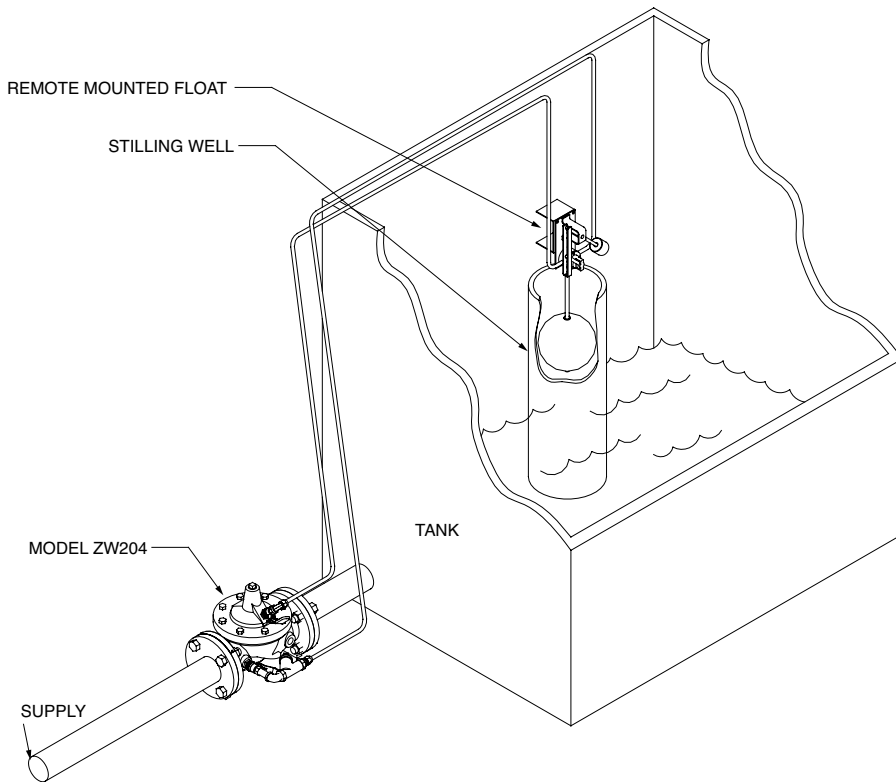
## IMPORTANT

Completed order form required.

## APPLICATIONS

Controlling the fluid level in a tank is easily accomplished with the Zurn Wilkins ZW204 non-modulating float valve that opens fully at a low set point and closes tightly at a high set point.

## TYPICAL INSTALLATION



SIZE	LEAD-FREE PART NUMBER
<b>ZW204: NON-MODULATING FLOAT VALVE, CLASS 150, FLANGED X FLANGED</b>	
1-1/4"	114-ZW204TH
1-1/2"	112-ZW204
2"	2-ZW204
2-1/2"	212-ZW204
3"	3-ZW204
4"	4-ZW204
6"	6-ZW204
8"	8-ZW204
10"	10-ZW204
12"	12-ZW204
14"	14-ZW204
16"	16-ZW204
<b>ZW204Y: NON-MODULATING FLOAT VALVE, CLASS 300, FLANGED X FLANGED</b>	
1-1/2"	112-ZW204Y
2"	2-ZW204Y
2-1/2"	212-ZW204Y
3"	3-ZW204Y
4"	4-ZW204Y
6"	6-ZW204Y
8"	8-ZW204Y
10"	10-ZW204Y
12"	12-ZW204Y
14"	14-ZW204Y
16"	16-ZW204Y

## ZW204: OPTIONS

### VALVE MOUNTED FLOAT (VM) OPTION

1-1/4" - 10" VM Option

### ROD EXTENSION (E.G. 4-ZW204R1, OR IF PURCHASED AS STANDALONE PRODUCT, PV-FNM-R1)

1-1/4" - 10" R1 Option, 1' Length

1-1/4" - 10" R2 Option, 2' Length

1-1/4" - 10" R3 Option, 3' Length

For threaded or grooved end connections and angle body pricing, use Class 150 valve pricing.

For reduced port body pricing, see Options and Accessories on page 79.

## ZW218 SERIES – SLOW CLOSE CHECK VALVE



### FEATURES

- 1-1/4" - 16"
- Globe, reduced port globe, and angle bodies available
- Pressure rating: 150 Class flanged, 250 psi max; 300 Class flanged or grooved, 400 psi max; threaded, 400 psi max
- 140°F max
- Opening and closing speed controls standard for all sizes
- Epoxy coating standard

### APPROVALS AND APPLICABLE STANDARDS

- ANSI/AWWA C530
- Certified to NSF/ANSI 61 and 372

### IMPORTANT

Completed order form required.

SIZE	LEAD-FREE PART NUMBER
<b>ZW218: CHECK VALVE, CLASS 150, FLANGED X FLANGED</b>	
1-1/4"	114-ZW218TH
1-1/2"	112-ZW218
2"	2-ZW218
2-1/2"	212-ZW218
3"	3-ZW218
4"	4-ZW218
6"	6-ZW218
8"	8-ZW218
10"	10-ZW218
12"	12-ZW218
14"	14-ZW218
16"	16-ZW218
<b>ZW218Y: CHECK VALVE, CLASS 300, FLANGED X FLANGED</b>	
1-1/2"	112-ZW218Y
2"	2-ZW218Y
2-1/2"	212-ZW218Y
3"	3-ZW218Y
4"	4-ZW218Y
6"	6-ZW218Y
8"	8-ZW218Y
10"	10-ZW218Y

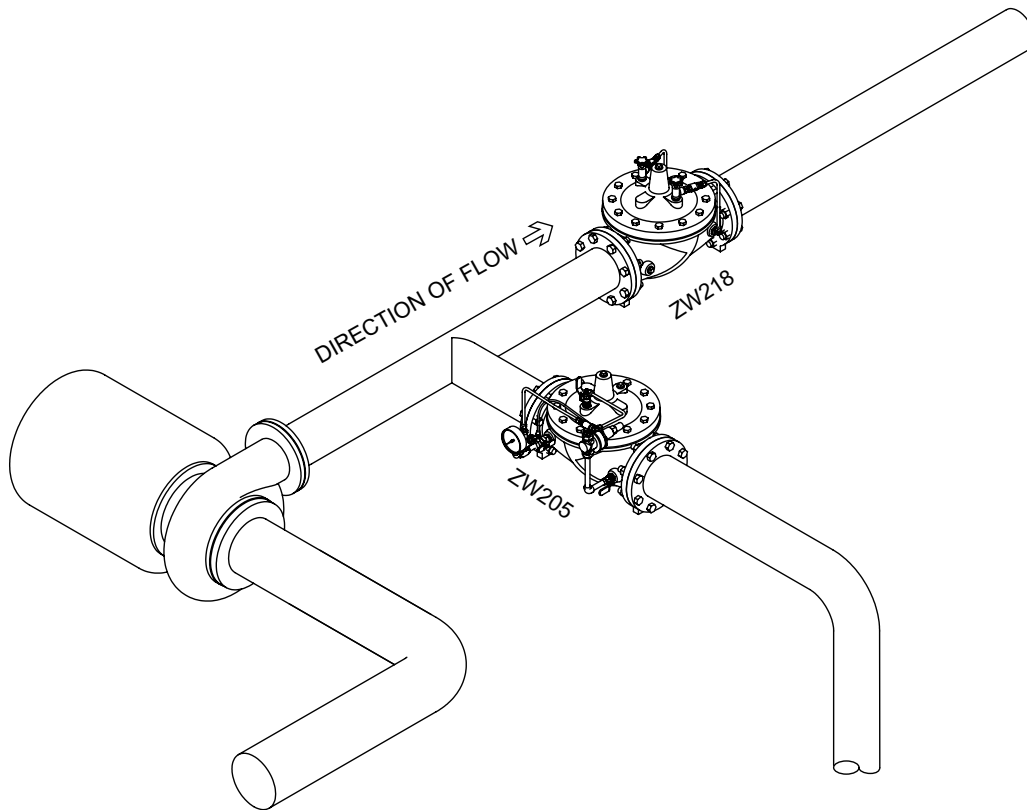
For threaded or grooved end connections and angle body pricing, use Class 150 valve pricing.

For reduced port body pricing, see Options and Accessories on page 79.

### APPLICATIONS

In applications that require a slow closing check valve, the ZW218 stands ready to perform.

### TYPICAL INSTALLATION



# ZW221/ZW222 SERIES – ALTITUDE LEVEL CONTROL VALVES



## FEATURES

- 1-1/4" - 16"
- Globe, reduced port globe, and angle bodies available
- Pressure rating: 150 Class flanged, 250 psi max; 300 Class flanged or grooved, 400 psi max; threaded, 400 psi max
- 140°F max
- Stainless steel braided hoses on pilotry standard for corrosion resistance
- Epoxy coating standard
- Standard valves come with one set point – the valve opens to fill the tank and will close drip-tight once the high water level is reached
- Adjustment ranges available from 5' to 230'
- "D" Delayed Opening/Dual Set Point Option delays opening of valve until water reaches a lower set point

## APPLICATIONS

The ZW221 and ZW222 Altitude Level Control Valves accurately control water level based on relative pressure, without the need for floats and sensors. The ZW221 One Way Altitude Level Control Valve controls water level in a tank or reservoir. The ZW222 Two Way Altitude Level Control Valve controls water level in a tank or reservoir, while also allowing reverse flow, so that only one line is needed to the tank/reservoir. When upstream supply pressure drops below tank pressure, main valve opens, allowing water to flow back upstream.

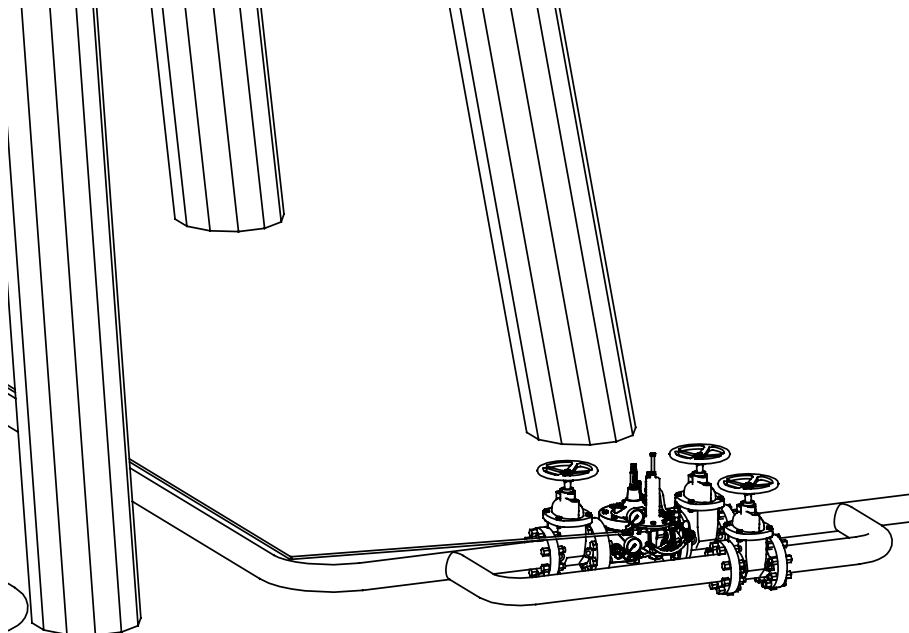
## APPROVALS AND APPLICABLE STANDARDS

- ANSI/AWWA C530
- Certified to NSF/ANSI 61 and 372

## IMPORTANT

Completed order form required.

## TYPICAL INSTALLATION



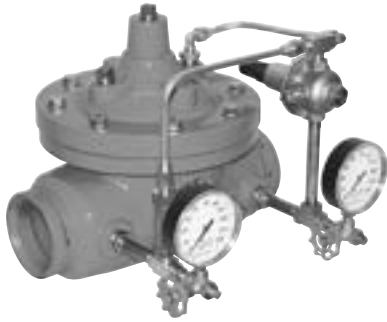
SIZE	LEAD-FREE PART NUMBER
<b>ZW221: ONE WAY ALTITUDE VALVE, CLASS 150, FLANGED X FLANGED</b>	
1-1/4"	114-ZW221TH
1-1/2"	112-ZW221
2"	2-ZW221
2-1/2"	212-ZW221
3"	3-ZW221
4"	4-ZW221
6"	6-ZW221
8"	8-ZW221
10"	10-ZW221
12"	12-ZW221
14"	14-ZW221
16"	16-ZW221
<b>ZW221Y: ONE WAY ALTITUDE VALVE, CLASS 300, FLANGED X FLANGED</b>	
1-1/2"	112-ZW221Y
2"	2-ZW221Y
2-1/2"	212-ZW221Y
3"	3-ZW221Y
4"	4-ZW221Y
6"	6-ZW221Y
8"	8-ZW221Y
10"	10-ZW221Y
12"	12-ZW221Y
14"	14-ZW221Y
16"	16-ZW221Y

SIZE	LEAD-FREE PART NUMBER
<b>ZW222: TWO WAY ALTITUDE VALVE, CLASS 150, FLANGED X FLANGED</b>	
1-1/4"	114-ZW222TH
1-1/2"	112-ZW222
2"	2-ZW222
2-1/2"	212-ZW222
3"	3-ZW222
4"	4-ZW222
6"	6-ZW222
8"	8-ZW222
10"	10-ZW222
12"	12-ZW222
14"	14-ZW222
16"	16-ZW222
<b>ZW222Y: TWO WAY ALTITUDE VALVE, CLASS 300, FLANGED X FLANGED</b>	
1-1/2"	112-ZW222Y
2"	2-ZW222Y
2-1/2"	212-ZW222Y
3"	3-ZW222Y
4"	4-ZW222Y
6"	6-ZW222Y
8"	8-ZW222Y
10"	10-ZW222Y
12"	12-ZW222Y
14"	14-ZW222Y
16"	16-ZW222Y

For threaded or grooved end connections and angle body pricing, use Class 150 valve pricing.

For reduced port body pricing, see Options and Accessories on page 79.

# ZW209FP SERIES – FIRE PROTECTION PRESSURE REDUCING VALVE



## FEATURES

- 1-1/4" - 10"
- Globe and angle bodies available
- Pressure rating: 300 Class flanged, grooved, or threaded 300 psi max
- Outlet pressure is field adjustable from 30 psi to 165 psi
- 140°F max
- Pressure gauges, wye strainers, and epoxy coating come standard

## APPROVALS AND APPLICABLE STANDARDS

- UL and C-UL Listed

## IMPORTANT

Completed order form required.

SIZE	LEAD-FREE PART NUMBER
<b>ZW209FP: FIRE PROTECTION PRESSURE REDUCING VALVE, CLASS 300, FLANGED X FLANGED</b>	

1-1/2"	112-ZW209FPY
2"	2-ZW209FPY
2-1/2"	212-ZW209FPY
3"	3-ZW209FPY
4"	4-ZW209FPY
6"	6-ZW209FPY
8"	8-ZW209FPY
10"	10-ZW209FPY

<b>ZW209FPX: FIRE PROTECTION PRESSURE REDUCING VALVE, CLASS 150, FLANGED X FLANGED</b>	
1-1/4"	114-ZW209FPTH
1-1/2"	112-ZW209FPX
2"	2-ZW209FPX
2-1/2"	212-ZW209FPX
3"	3-ZW209FPX
4"	4-ZW209FPX
6"	6-ZW209FPX
8"	8-ZW209FPX
10"	10-ZW209FPX

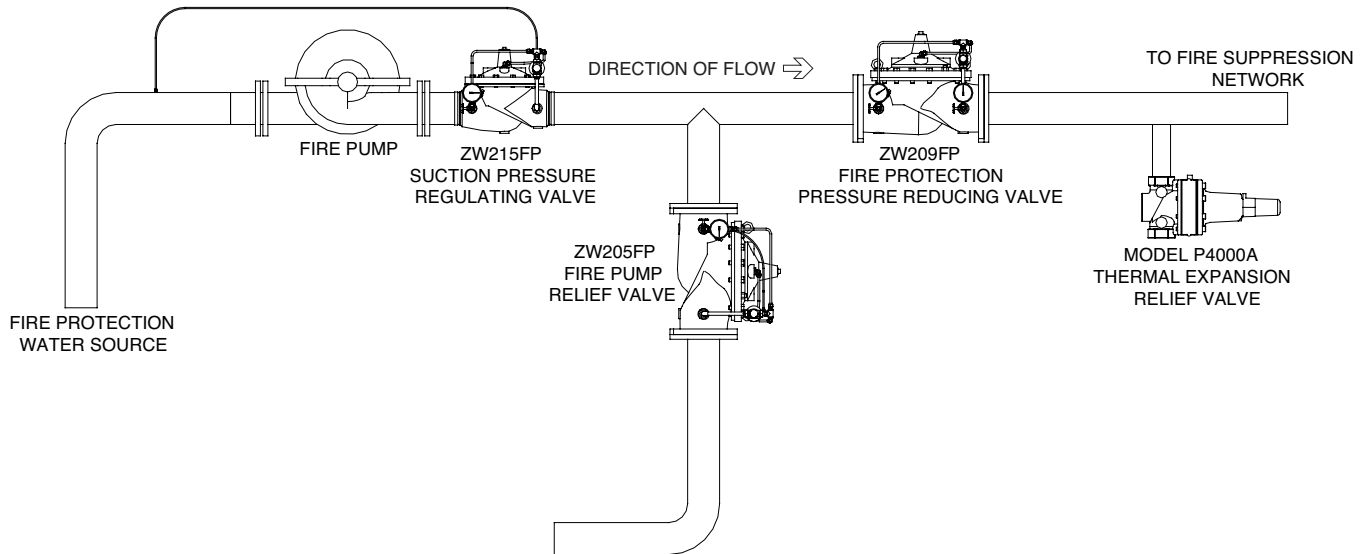
1-1/4"	114-ZW209FPTH
1-1/2"	112-ZW209FPX
2"	2-ZW209FPX
2-1/2"	212-ZW209FPX
3"	3-ZW209FPX
4"	4-ZW209FPX
6"	6-ZW209FPX
8"	8-ZW209FPX
10"	10-ZW209FPX

For threaded or grooved end connections and angle body pricing, use Class 150 valve pricing.

## APPLICATIONS

When a Fire Protection System requires a reduction in pressure, the ZW209FP stands ready to perform.

## TYPICAL INSTALLATION



## ZW205FP SERIES – FIRE PROTECTION PRESSURE RELIEF VALVE



### APPLICATIONS

Fire Protection Systems are susceptible to damage when pressure rises above 175 psi. Let the ZW205FP limit the pressure in your Fire Protection System.

### FEATURES

- 2" - 10"
- Globe and angle bodies available
- Pressure rating: 150 Class flanged, 250 psi max; 300 Class flanged, grooved, or threaded 300 psi max
- Pilot spring ranges 50 to 200 psi (150 class); 150 to 300 psi (300 class)
- 140°F max
- Inlet pressure gauge, wye strainer, and epoxy coating come standard

### APPROVALS AND APPLICABLE STANDARDS

- UL Listed, ULC Listed, and FM® Approved

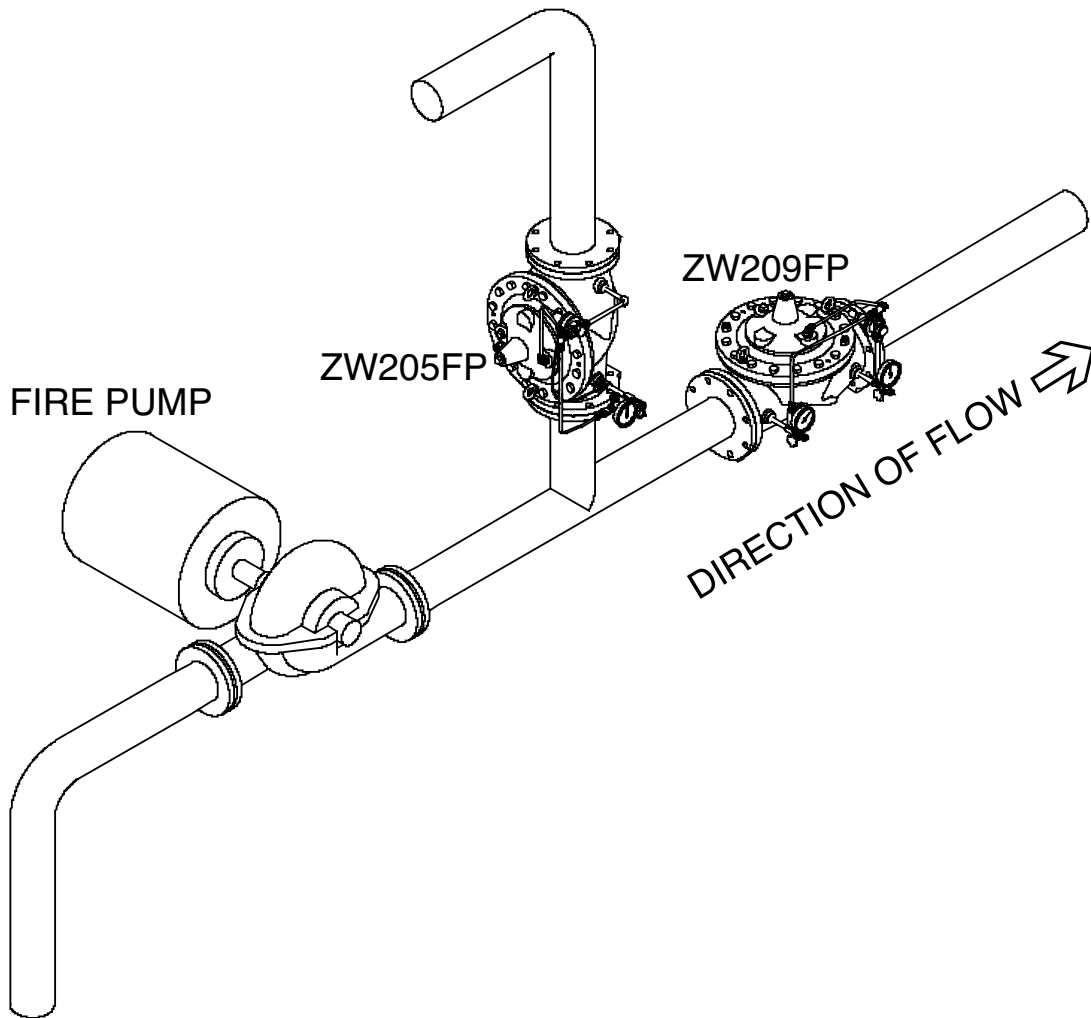
### IMPORTANT

Completed order form required.

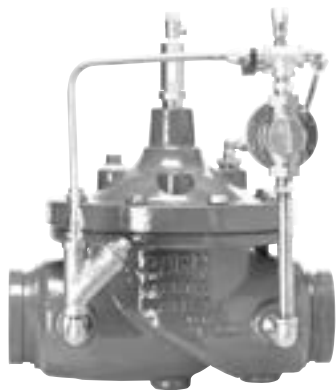
SIZE	LEAD-FREE PART NUMBER
<b>ZW205FP: FIRE PUMP RELIEF VALVE, CLASS 150, FLANGED X FLANGED</b>	
2"	2-ZW205FP
2-1/2"	212-ZW205FP
3"	3-ZW205FP
4"	4-ZW205FP
6"	6-ZW205FP
8"	8-ZW205FP
10"	10-ZW205FP
<b>ZW205FPY: FIRE PUMP RELIEF VALVE, CLASS 300, FLANGED X FLANGED</b>	
2"	2-ZW205FPY
2-1/2"	212-ZW205FPY
3"	3-ZW205FPY
4"	4-ZW205FPY
6"	6-ZW205FPY
8"	8-ZW205FPY
10"	10-ZW205FPY

For threaded or grooved end connections and angle body pricing, use Class 150 valve pricing.

### TYPICAL INSTALLATION



## ZW215FP SERIES – FIRE PUMP SUCTION CONTROL VALVE



### APPLICATIONS

The ZW215FP controls the suction pressure to a Fire Pump, preventing cavitation and potential backflow conditions.

### FEATURES

- 2" - 10"
- Globe and angle bodies available
- Pressure rating: 150 Class flanged, 250 psi max; 300 Class flanged, grooved, or threaded 300 psi max
- Pilot Spring Range 10-30 psi
- 140°F max
- Wye strainer and epoxy coating come standard

### APPROVALS AND APPLICABLE STANDARDS

- FM® Approved

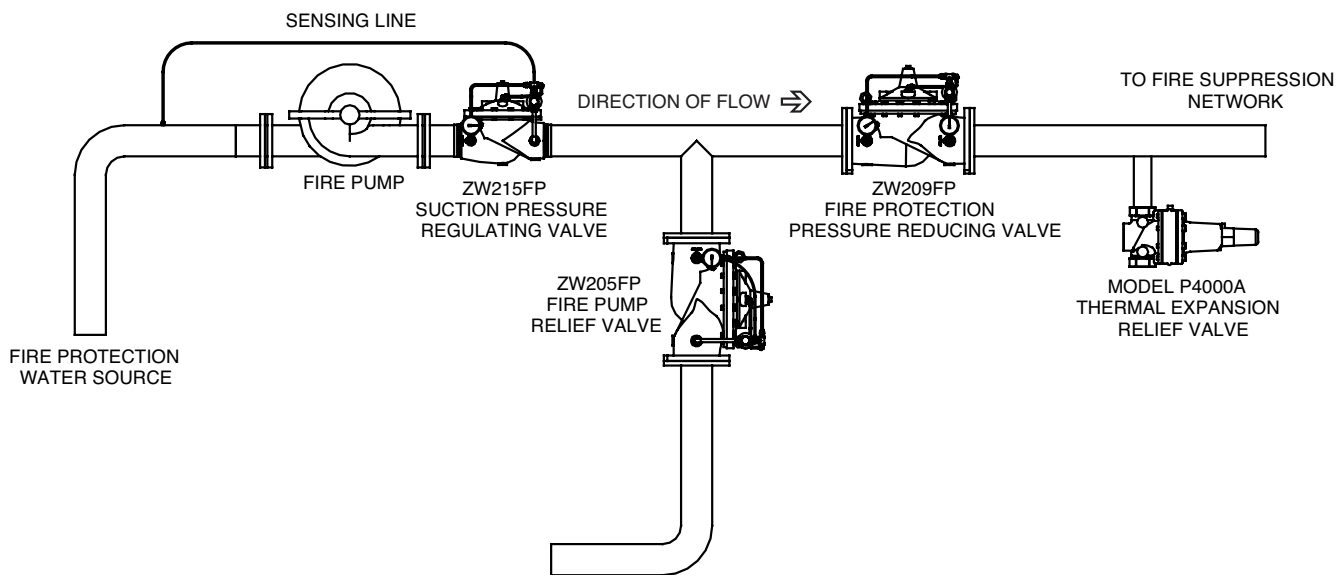
### IMPORTANT

Completed order form required.

SIZE	LEAD-FREE PART NUMBER
<b>ZW215FP: FIRE PUMP SUCTION CONTROL VALVE, CLASS 150, FLANGED X FLANGED</b>	
2"	2-ZW215FP
2-1/2"	212-ZW215FP
3"	3-ZW215FP
4"	4-ZW215FP
6"	6-ZW215FP
8"	8-ZW215FP
10"	10-ZW215FP
<b>ZW215FPY: FIRE PUMP SUCTION CONTROL VALVE, CLASS 300, FLANGED X FLANGED</b>	
2"	2-ZW215FPY
2-1/2"	212-ZW215FPY
3"	3-ZW215FPY
4"	4-ZW215FPY
6"	6-ZW215FPY
8"	8-ZW215FPY
10"	10-ZW215FPY

For threaded or grooved end connections and angle body pricing, use Class 150 valve pricing.

### TYPICAL INSTALLATION



## AUTOMATIC CONTROL VALVE OPTIONS AND ACCESSORIES

See main valve product specification sheets for details and available options.

SIZE	DESCRIPTION, INLET X OUTLET CONNECTIONS, OPTIONS	PURCHASED WITH VALVE	PURCHASED INDIVIDUALLY
		PART NUMBER	PART NUMBER
1-1/4" - 3"	Threaded End Connections	TH Suffix	-
1-1/4" - 16"	Grooved End Connections	G Suffix	-
1-1/4" - 10"	Angle Body Valve	A Suffix	-
3"	Reduced Port Body (3" body with 2" internals)	R Suffix	-
4"	Reduced Port Body (4" body with 3" internals)	R Suffix	-
6"	Reduced Port Body (6" body with 4" internals)	R Suffix	-
8"	Reduced Port Body (8" body with 6" internals)	R Suffix	-
10"	Reduced Port Body (10" body with 8" internals)	R Suffix	-
1-1/4" - 16"	Check Valve with Isolation Valve	C Option	-
1-1/4" - 16"	Atmospheric Drain	F Option	-
1-1/4" - 16"	Liquid Filled Gauges	GL Option	-
1-1/4" - 16"	Pressure Sustaining Pilot	H Option	-
1-1/4" - 16"	Closing Speed Control	L Option	-
1-1/4" - 16"	Opening Speed Control	O Option	-
1-1/4" - 16"	Pilotry on Reverse Side	RV Option	-
1-1/4" - 16"	Stainless Braided Hoses	SH Option	-
1-1/4" - 16"	Stainless Pilotry; Pilot, Tubing, and Fittings	SP Option	-
1-1/4" - 16"	Independent Operating Pressure	W Option	-
1-1/4" - 2-1/2"	Viton Rubber Internals, 180 °F, Diaphragm, Seal Ring, O-rings, main valve and pilot	V Option	-
3"	Viton Rubber Internals, 180 °F, Diaphragm, Seal Ring, O-rings, main valve and pilot	V Option	-
4"	Viton Rubber Internals, 180 °F, Diaphragm, Seal Ring, O-rings, main valve and pilot	V Option	-
1-1/4" - 3"	Digital Position Indicator	Z3 Option	114-3-ZPI3
4" - 6"	Digital Position Indicator	Z3 Option	4-6-ZPI3
8" - 16"	Digital Position Indicator	Z3 Option	8-16-ZPI3
1-1/4" - 2-1/2"	Limit Switch - single switch that triggers when the valve is open	SO Option	114-212-SW1-O
3"	Limit Switch - single switch that triggers when the valve is open	SO Option	3-SW1-O
4" - 6"	Limit Switch - single switch that triggers when the valve is open	SO Option	4-6-SW1-O
8" - 12"	Limit Switch - single switch that triggers when the valve is open	SO Option	8-12-SW1-O
14" - 16"	Limit Switch - single switch that triggers when the valve is open	SO Option	14-16-SW1-O
1-1/4" - 2-1/2"	Limit Switch - single switch that triggers when the valve is closed	SC Option	114-212-SW1-C
3"	Limit Switch - single switch that triggers when the valve is closed	SC Option	3-SW1-C
4" - 6"	Limit Switch - single switch that triggers when the valve is closed	SC Option	4-6-SW1-C
8" - 10"	Limit Switch - single switch that triggers when the valve is closed	SC Option	8-10-SW1-C
12" - 16"	Limit Switch - single switch that triggers when the valve is closed	SC Option	12-16-SW1-C
1-1/4" - 2-1/2"	Limit Switch - dual switches one triggers open, one triggers closed	SD Option	114-212-SW2
3"	Limit Switch - dual switches one triggers open, one triggers closed	SD Option	3-SW2
4"	Limit Switch - dual switches one triggers open, one triggers closed	SD Option	4-SW2
6"	Limit Switch - dual switches one triggers open, one triggers closed	SD Option	6-SW2
8" - 10"	Limit Switch - dual switches one triggers open, one triggers closed	SD Option	8-10-SW2
12" - 16"	Limit Switch - dual switches one triggers open, one triggers closed	SD Option	12-16-SW2

BACKFLOW PREVENTERS

BACKFLOW PREVENTERS ACCESSORIES

STRAINERS

AUTOMATIC CONTROL VALVES

PRESSURE REDUCING VALVES

FIRE PROTECTION VALVES

THERMOSTATIC MIXING VALVES

RELIEF VALVES

MISCELLANEOUS PLUMBING PRODUCTS

REPAIR KITS



## AUTOMATIC CONTROL VALVE OPTIONS AND ACCESSORIES

See main valve product specification sheets for details and available options.

SIZE	DESCRIPTION, INLET X OUTLET CONNECTIONS, OPTIONS	PURCHASED WITH VALVE	PURCHASED INDIVIDUALLY
		PART NUMBER	PART NUMBER
1-1/4" - 6"	Pressure Gauge, 2-1/2" Dial, 0 - 300psi, 1/8" MNPT	-	2006-25BP-300
1-1/4" - 4"	Pressure Gauge, 2-1/2" Dial, 0 - 300psi, 1/4" MNPT	-	2004-25-300
6" - 16"	Pressure Gauge, 3 1/2" Dial, 0 - 300psi, 1/4" MNPT	-	2010-25-300
1-1/4" - 10"	Pressure Gauge, UL/FM Listed, 3 1/2" Dial, 0 - 300psi, 1/4" MNPT	-	2005-25UL
1-1/4" - 6"	Pressure Gauge, Liquid Filled, 2-1/2" Dial, 0 - 300psi, 1/8" MNPT	-	2006-25LBP-300
1-1/4" - 16"	Pressure Gauge, Liquid Filled, 2-1/2" Dial, 0 - 300psi, 1/4" MNPT	-	2004-25L-300
1-1/4" - 10"	Pilot ZW209 Pressure Reducing, 15-150psi, 1/2" FNPT	-	12-NR3XLHRSCDULU
1-1/4" - 16"	Pilot ZW209 Pressure Reducing, 15-150psi, 3/8" FNPT	-	38-PRXL
1-1/4" - 6"	Pilot ZW209HP Pressure Reducing, 30-300psi, 3/8" FNPT	-	38-PV-PRD-300
8" - 16"	Pilot ZW209HP Pressure Reducing, 30-300psi, 1/2" FNPT	-	12-PV-PRD-300
1-1/4" - 6"	Pilot ZW209FP Pressure Reducing, 50-175psi, 3/8" FNPT	-	38-PV-PRD-175
8" - 10"	Pilot ZW209FP Pressure Reducing, 50-175psi, 1/2" FNPT	-	12-PV-PRD-175
1-1/4" - 16"	Pilot ZW205/205FP Relief Valve, 50-200psi, 1/2" FNPT	-	12-PV-RLF-200
1-1/4" - 16"	Pilot ZW205/205FP Relief Valve, 150-300psi, 1/2" FNPT	-	12-PV-RLF-300
1-1/4" - 16"	Pilot ZW204 Float Valve, 1/8" FNPT	-	PV-FNM
1-1/4" - 16"	Pilot ZW206 Solenoid Valve, 3-Way NO or NC and 24VAC or 120VAC	-	PV-SOL3-XX
1-1/4" - 16"	Pilot ZW206 Solenoid Valve, 3-Way NO or NC and 24VAC or 120VAC with Manual Operator	-	PV-SOL3-XXM

For additional product information, please visit [www.zurn.com](http://www.zurn.com).

# PRESSURE REDUCING VALVES

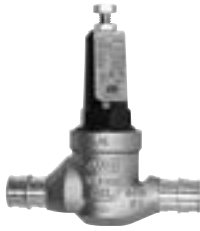
Zurn Wilkins is synonymous with quality in the water pressure reducing valves industry. When you purchase, specify, or install a Zurn Wilkins pressure reducing valve you are selecting the most reliable regulator in the industry.

<b>20XL SERIES</b> – PRESSURE REDUCING VALVE	<b>82</b>
<b>NR3XL SERIES</b> – PRESSURE REDUCING VALVE	<b>83</b>
<b>70XL SERIES</b> – PRESSURE REDUCING VALVE	<b>84</b>
<b>500XL3 SERIES</b> – PRESSURE REDUCING VALVE	<b>85</b>
<b>500XL SERIES</b> – PRESSURE REDUCING VALVE	<b>86</b>
<b>500XLYSBR SERIES</b> – PRESSURE REDUCING VALVE	<b>86</b>
<b>510XL SERIES</b> – OPTION FOR 500XL	<b>86</b>
<b>500XLFC SERIES</b> – PRESSURE REDUCING VALVE	<b>87</b>
<b>510XLFC SERIES</b> – OPTION FOR 500XLFC	<b>87</b>
<b>600XL3 SERIES</b> – PRESSURE REDUCING VALVE	<b>88</b>
<b>625XL3 SERIES</b> -OPTION FOR 600XL3	<b>88</b>
<b>600XL SERIES</b> – PRESSURE REDUCING VALVE	<b>89</b>
<b>610XL SERIES</b> – OPTION FOR 600XL	<b>89</b>
<b>625XL SERIES</b> – OPTION FOR 600XL	<b>89</b>
<b>WATER PRESSURE REDUCING VALVE ACCESSORIES</b>	<b>90</b>
<b>TPKXL SERIES</b> – TAILPIECE KITS	<b>90</b>
<b>25 SERIES</b> – PRESSURE GAUGES	<b>91</b>

## 20XL SERIES – PRESSURE REDUCING VALVE



3/4" 20XL



3/4" 20XLEPEX

### APPLICATIONS

With a short lay length and smaller design, the 20XL Pressure Reducing Valve is ideal for tight spaces or retrofits. Its universal connection options ease installation time and minimize the potential for leaks.

### FEATURES

- 3/4", 1"
- Pressure rated 300 psi
- Spring range 25 to 75 psi
- Factory set at 50 psi
- 140°F max
- Composite cartridge and bell housing deliver superior strength and corrosion resistance
- Short lay length and smaller design makes this valve ideal for tight spaces or retrofits
- Multiple connection options include threaded, copper sweat, integral expansion PEX and integral crimp PEX

### APPROVALS AND APPLICABLE SPECIFICATIONS

- ASSE® Listed 1003, cUPC® Listed, CSA® Certified
- Certified to NSF/ANSI/CAN 61 and 372

SIZE	LEAD-FREE PART NUMBER
<b>20XL: FNPT UNION X FNPT</b>	
3/4"	34-20XL
1"	1-20XL
<b>20XLC: FEMALE CU SWT UNION X FNPT</b>	
3/4"	34-20XLC
1"	1-20XLC
<b>20XLDU: DOUBLE UNION FNPT</b>	
3/4"	34-20XLDU
1"	1-20XLDU
<b>20XLDUC: DOUBLE UNION FEMAL CU SWT</b>	
3/4"	34-20XLDUC
1"	1-20XLDUC
<b>20XLDULU: FNPT X FNPT, LESS UNION NUT &amp; TAILPIECE</b>	
3/4"	34-20XLDULU
1"	1-20XLDULU
<b>20XLEPEX: INTEGRAL EXPANSION PEX</b>	
3/4"	34-20XLEPEX
1"	1-20XLEPEX
<b>20XLEPEX: INTEGRAL CRIMP PEX</b>	
3/4"	34-20XLEPEX
1"	1-20XLEPEX

### OPTIONS AND LIST PRICE ADDERS:

#### 20XL SERIES SPACERS

#### FNPT X FNPT, 20XL SERIES SPACER KIT

3/4" SPK34-20XL

1" SPK1-20XL

#### FEMALE CU SWT X FEMALE CU SWT, 20XL SERIES SPACER KIT

3/4" SPK34-20XLC

1" SPK1-20XLC

#### RETROFIT KIT: ORDER AND INSTALL WITH 20XLDULU TO REPLACE EXISTING PRV (SINGLE AND DOUBLE UNION UNLESS NOTED)

3/4" NR3XL, NR3, BR4 RFK34-NR3-20XL

1" NR3XL, NR3, BR4 RFK1-NR3-20XL

3/4" 70XL, 70 RFK34-70-20XL

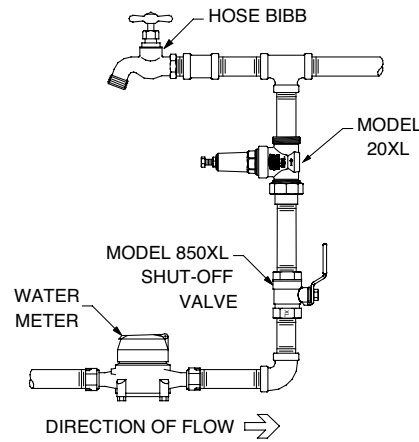
(Single Union only)

3/4" 70XL, 70 RFK34-70DU-20XL

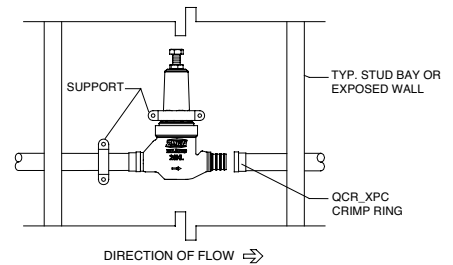
(Double Union only)

1" 70XL, 70 RFK-70-20XL

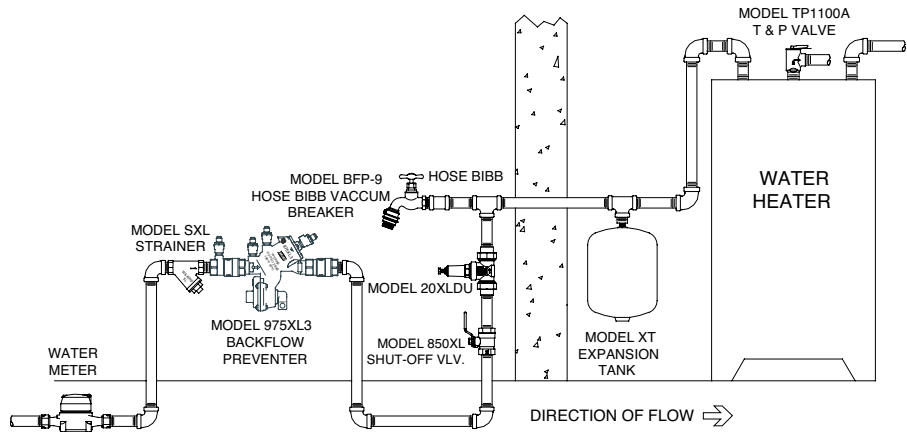
### TYPICAL INSTALLATION



INDOOR INSTALLATION



20XLEPEX INSTALLATION



OUTDOOR INSTALLATION

# NR3XL SERIES – PRESSURE REDUCING VALVE



## APPLICATIONS

With its corrosion resistant plastic cartridge and ease of repair, the NR3XL is the perfect Pressure Reducing Valve for residential applications.

## FEATURES

- 1/2" - 2"
- Pressure rated 400 psi (1/2" - 1-1/4"), 300 psi (1-1/2", 2")
- Spring range 15 to 75 psi (1/2" - 1-1/4"), 25 to 75 psi (1-1/2", 2")
- Factory set at 50 psi
- 140°F max
- Replaceable acetal cartridge with integral stainless steel strainer
- Short lay length makes for easy retrofit

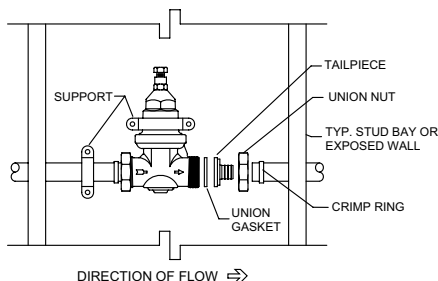
## APPROVALS AND APPLICABLE SPECIFICATIONS

- ASSE® Listed 1003, cUPC® Listed, CSA® Certified
- Certified to NSF/ANSI/CAN 61 and 372

## ACCESSORIES

- Special plastic spacer nipple for use with 1/2", 3/4" and 1-1/4" NR3XL double union regulators (Model NR3XLDUSPC)
- Special spacer nipple for use with 1" NR3XL double union regulators (Model 70XLDUSPC)
- Thermal expansion tank (Model XT)

## TYPICAL INSTALLATION



For Installation Drawing Please See Page Number 91

SIZE	LEAD-FREE PART NUMBER
<b>NR3XL: FNPT UNION X FNPT</b>	
1/2"	12-NR3XL
3/4"	34-NR3XL
1"	1-NR3XL
1-1/4"	114-NR3XL
1-1/2"	112-NR3XL
2"	2-NR3XL
<b>NR3XLDU: DOUBLE UNION FNPT</b>	
1/2"	12-NR3XLDU
3/4"	34-NR3XLDU
1"	1-NR3XLDU
1-1/4"	114-NR3XLDU
1-1/2"	112-NR3XLDU
2"	2-NR3XLDU
<b>NR3XLDULU: FNPT X FNPT, LESS UNION NUT &amp; TAILPIECE</b>	
1/2"	12-NR3XLDULU
3/4"	34-NR3XLDULU
1"	1-NR3XLDULU
1-1/4"	114-NR3XLDULU
1-1/2"	112-NR3XLDULU
2"	2-NR3XLDULU
<b>NR3XLC: FEMALE CU SWT UNION X FNPT</b>	
1/2"	12-NR3XLC
3/4"	34-NR3XLC
1"	1-NR3XLC
1-1/4"	114-NR3XLC
1-1/2"	112-NR3XLC
2"	2-NR3XLC
<b>NR3XLDUC: DOUBLE UNION FEMALE CU SWT</b>	
1/2"	12-NR3XLDUC
3/4"	34-NR3XLDUC
1"	1-NR3XLDUC
1-1/4"	114-NR3XLDUC
1-1/2"	112-NR3XLDUC
2"	2-NR3XLDUC
<b>NR3XLDUCPVC: DOUBLE UNION CPVC</b>	
3/4"	34-NR3XLDUCPVC
1"	1-NR3XLDUCPVC
<b>NR3XLPEX: PEX UNION X FNPT</b>	
3/4"	34-NR3XLPEX
1"	1-NR3XLPEX
<b>NR3XLF1960: EXPANSION PEX UNION X FNPT</b>	
3/4"	34-NR3XLF1960
1"	1-NR3XLF1960
<b>NR3XLDUPEX: DOUBLE UNION PEX</b>	
3/4"	34-NR3XLDUPEX
1"	1-NR3XLDUPEX
<b>NR3XLDUPEXF1960: DOUBLE UNION EXPANSION PEX</b>	
3/4"	34-NR3XLDUPEXF1960
1"	1-NR3XLDUPEXF1960
<b>NR3XLDUCPEX: FEMALE CU SWT UNION X PEX UNION</b>	
3/4"	34-NR3XLDUCPEX
1"	1-NR3XLDUCPEX
<b>NR3XLDM: DOUBLE MALE METER THD</b>	
3/4"	34-NR3XLDM
1"	1-NR3XLDM
<b>NR3XLHRSCDUBPK: BY-PASS KIT FOR 500FCBP, HRSC OPTION, DOUBLE UNION FNPT, STREET ELBOWS</b>	
3/4"	34-NR3XLHRSCDUBPK

## OPTIONS AND LIST PRICE ADDERS:

**PLUG (P) OPTION: TAPPED AND PLUGGED (E.G. 34-NR3P, 2-NR3XLP)**

1/2" - 2" P Suffix

**GAUGE (G) OPTION: TAPPED AND PLUGGED WITH GAUGE**

1/2" - 2" G Suffix

**SEALED CAGE (SC) OPTION WITH SS ADJ SCREW. FOR BELOW GRADE AND METER BOX APPLICATIONS (E.G. 34-NR3XLS)**

1/2" - 2" SC Suffix

**HIGH RANGE / SEALED CAGE (HRSC) OPTION WITH SS ADJ SCREW: 15-150PSI, SET TO 50 PSI (E.G. NR3XLHRSC)**

1/2" - 1-1/4" HRSC Suffix

**EXPANSION CONTROL (EC) OPTION: 100 PSI RELIEF VALVE FOR THERMAL EXPANSION CONTROL (E.G. 34-NR3XLEC)**

1/2" - 1" EC Suffix

## NR3XL SERIES SPACERS

### FNPT X FNPT, NR3XL SERIES SPACER KIT

3/4" SPK34-NR3

1-1/4" SPK114-NR3

1-1/2" SPK112-NR3

2" SPK2-NR3

### FEMALE CU SWT X FEMALE CU SWT, NR3XL SERIES SPACER KIT

3/4" SPK34-NR3C

1-1/4" SPK114-NR3C

1-1/2" SPK112-NR3C

2" SPK2-NR3C

### CPVC X CPVC, NR3XL SERIES SPACER KIT

3/4" SPK34-NR3CPVC

BACKFLOW PREVENTERS

BACKFLOW PREVENTERS ACCESSORIES

STRAINERS

AUTOMATIC CONTROL VALVES

PRESSURE REDUCING VALVES

FIRE PROTECTION VALVES

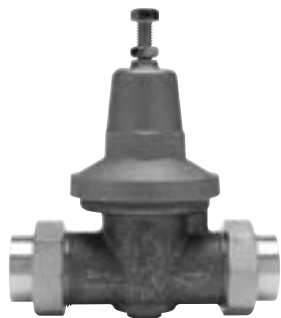
THERMOSTATIC MIXING VALVES

RELIEF VALVES

MISCELLANEOUS PLUMBING PRODUCTS

REPAIR KITS

## 70XL SERIES – PRESSURE REDUCING VALVE



### APPLICATIONS

The model 70XL has been providing residential and commercial customers with ruggedness and ease of repair for over 40 years.

### FEATURES

- 3/4" - 1"
- 300 psi max
- Spring range 25 to 75 psi; factory set at 50 psi
- 140°F max
- All bronze body and bell housing provides durability and long life
- Corrosion-resistant, replaceable cartridge with integral stainless steel strainer

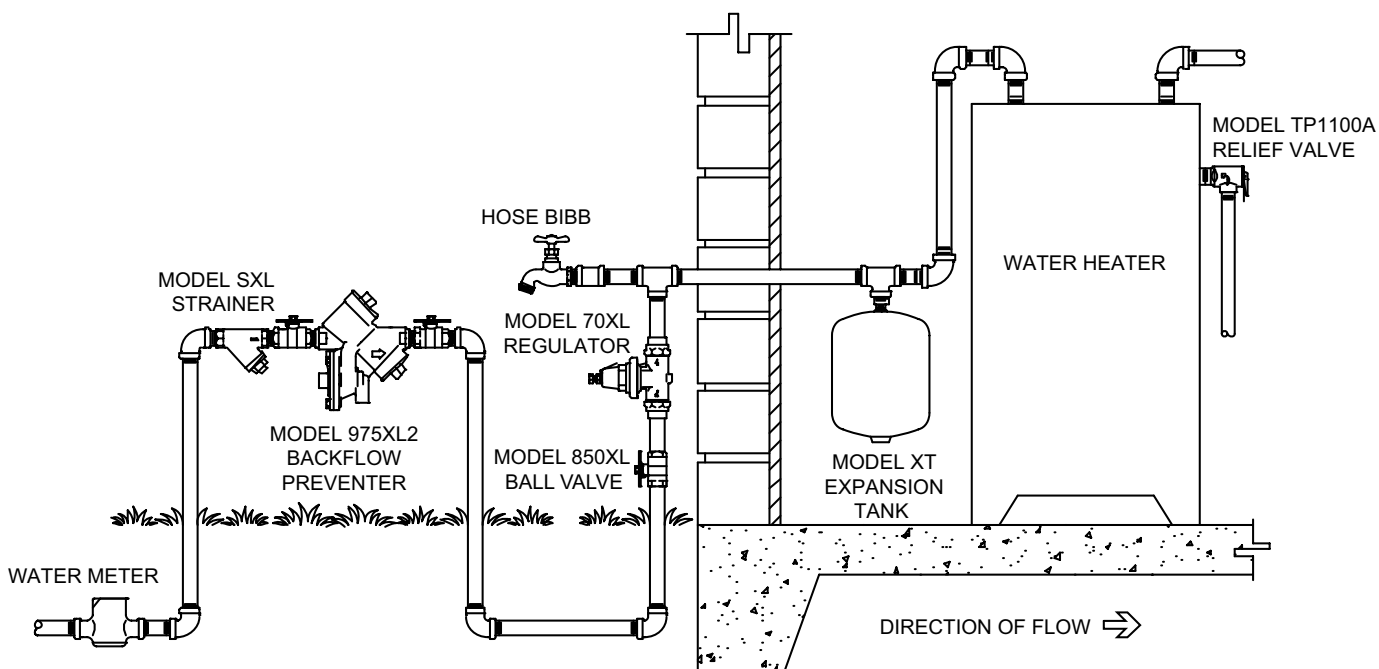
### APPROVALS AND APPLICABLE SPECIFICATIONS

- ASSE® Listed 1003, cUPC® Listed, CSA® Certified, City of Los Angeles Approved
- Certified to NSF/ANSI/CAN 61 and 372

### ACCESSORIES

- Special plastic spacer nipple for use with 70XL series double union regulators (Model 70XLDUSPC)
- Thermal expansion tank (Model XT)

### TYPICAL INSTALLATION



SIZE	LEAD-FREE PART NUMBER
<b>70XL: FNPT UNION X FNPT</b>	
3/4"	34-70XL
1"	1-70XL
<b>70XLDU: DOUBLE UNION FNPT</b>	
3/4"	34-70XLDU
1"	1-70XLDU
<b>70XLDULU: DOUBLE UNION, LESS UNION NUT &amp; TAILPIECE</b>	
3/4"	34-70XLDULU
1"	1-70XLDULU
<b>70XLC: FEMALE CU SWT UNION X FNPT</b>	
3/4"	34-70XLC
1"	1-70XLC
<b>70XLDUC: DOUBLE UNION FEMALE CU SWT</b>	
3/4"	34-70XLDUC
1"	1-70XLDUC
<b>70XLPEX: PEX UNION X FNPT</b>	
3/4"	34-70XLPEX
1"	1-70XLPEX
<b>70XLDUPEX: DOUBLE UNION PEX</b>	
3/4"	34-70XLDUPEX
1"	1-70XLDUPEX
<b>70XLDM: DOUBLE MALE METER THREADS</b>	
3/4"	34-70XLDM

### OPTIONS AND LIST PRICE ADDERS:

#### PLUG (P) OPTION: TAPPED AND PLUGGED (E.G. 34-70XLP)

3/4" - 1" P Suffix

#### GAUGE (G) OPTION: TAPPED AND PLUGGED WITH GAUGE

3/4" - 1" G Suffix

#### SEALED CAGE (SC) OPTION WITH SS ADJ SCREW. FOR BELOW GRADE AND METER BOX APPLICATIONS (E.G. 34-70XLS)

3/4" - 1" SC Suffix

#### 70XL SERIES SPACERS

##### FNPT X FNPT, 70XL SERIES SPACER KIT

3/4" SPK34-70

1" SPK1-70

##### FEMALE CU SWT X FEMALE CU SWT, 70XL SERIES SPACER KIT

3/4" SPK34-70C

1" SPK1-70C

##### MALE CU SWT X MALE CU SWT, 70XL SERIES SPACER KIT

1" SPK1-70CM

##### FEMALE CU SWT X MALE CU SWT, 70XL SERIES SPACER KIT

1" SPK1-70CXM

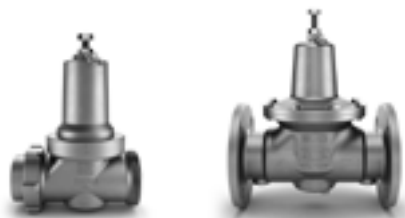
#### SPACER ONLY, 70XL SERIES

3/4" 34-70DUSPC

1" 1-70DUSPC

# 500XL3 SERIES – PRESSURE REDUCING VALVE

**NEW**



2" 500XL3

3" 500XL3F

## APPLICATIONS

Designed for installation on potable water lines to reduce high inlet pressure to a lower outlet pressure. The patented integral venturi enables the 500XL3 to have best-in-class flow performance. The high flow capacity makes this device most suitable for commercial plumbing systems and industrial water lines.

## FEATURES

- 1" - 4"
- Spring range 15 to 75 psi
- 400 psi max
- 140°F max
- All bronze body and bell housing provides durability and long life
- Tapped and plugged standard on all valves – provides ease to add downstream gauge
- Stainless steel stem and composite cartridge internals resist corrosion to extend lifespan
- Stainless steel fasteners withstand heavy wear and harsh environments

## APPROVALS AND APPLICABLE SPECIFICATIONS

- ASSE® Listed 1003, cUPC® Listed, CSA® Certified
- Certified to NSF/ANSI 61 /CAN 61 & 372

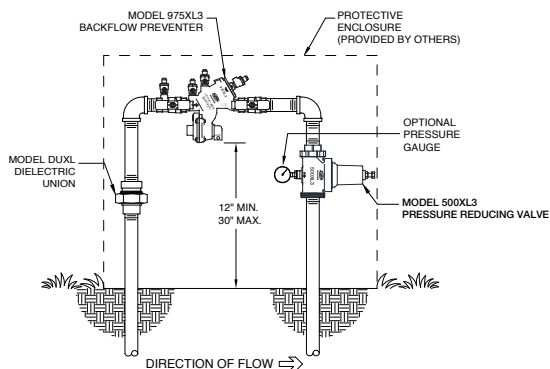
## ACCESSORIES

- Thermal expansion tank (Model XT)
- Model 500XL3Y available with strainer
- Integral Low Flow Bypass Kit 2-1/2" or 3" (1-500XL3BPK or 1-500XL3HRBPK)

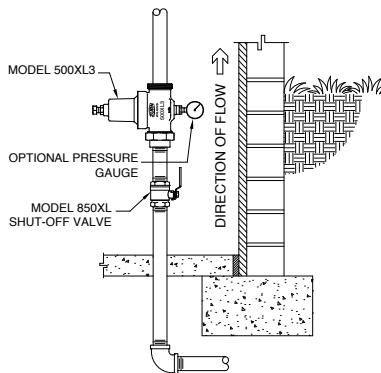
SIZE	LEAD-FREE PART NUMBER
<b>500XL3: FNPT UNION X FNPT</b>	
1"	1-500XL3
1-1/4"	114-500XL3
1-1/2"	112-500XL3
2"	2-500XL3
<b>500XL3: FNPT X FNPT</b>	
2-1/2"	212-500XL3
3"	3-500XL3
<b>500XL3C: COPPER SWEAT UNION X FNPT</b>	
1"	1-500XL3C
1-1/4"	114-500XL3C
1-1/2"	112-500XL3C
2"	2-500XL3C
<b>500XL3DU: FNPT UNION X FNPT UNION</b>	
1"	1-500XL3DU
1-1/4"	114-500XL3DU
1-1/2"	112-500XL3DU
2"	2-500XL3DU
<b>500XL3DUC: COPPER SWEAT UNION X COPPER SWEAT UNION</b>	
1"	1-500XL3DUC
1-1/4"	114-500XL3DUC
1-1/2"	112-500XL3DUC
2"	2-500XL3DUC
<b>500XL3F: CLASS 150# FLANGED X FLANGED</b>	
2-1/2"	212-500XL3F
3"	3-500XL3F
4"	4-500XL3F
<b>500XL3FY: CLASS 150# FLANGED X FLANGED, IN-LINE DUCTLIE IRON WYE TYPE STRAINER</b>	
2-1/2"	212-500XL3FY
3"	3-500XL3FY
4"	4-500XL3FY
<b>500XL3Y: FNPT UNION X FNPT, IN-LINE BRONZE WYE TYPE STRAINER</b>	
1"	1-500XL3Y
1-1/4"	114-500XL3Y
1-1/2"	112-500XL3Y
2"	2-500XL3Y
<b>500XL3Y: FNPT X FNPT, IN-LINE WYE TYPE STRAINER</b>	
2-1/2"	212-500XL3Y
3"	3-500XL3Y

<b>500XL3FBP: CLASS 150# FLANGED X FLANGED, TAPPED FOR LOW FLOW BYPASS</b>	
2-1/2"	212-500XL3FBP
3"	3-500XL3FBP
4"	4-500XL3F
<b>500XL3HR: FNPT UNION X FNPT, HIGH RANGE PRESSURE (HR) OPTION: 60-125 PSI, FIELD SET</b>	
1"	1-500XL3HR
1-1/4"	114-500XL3HR
1-1/2"	112-500XL3HR
2"	2-500XL3HR
<b>500XL3HR: FNPT X FNPT, HIGH RANGE PRESSURE (HR) OPTION: 60-125 PSI, FIELD SET</b>	
2-1/2"	212-500XL3HR
3"	3-500XL3HR
<b>500XL3FHR: CLASS 150# FLANGED X FLANGED, HIGH RANGE PRESSURE (HR) OPTION: 60-125 PSI, FIELD SET</b>	
2-1/2"	212-500XL3FHR
3"	3-500XL3FHR
4"	4-500XL3FHR
<b>500XL3HRY: SINGLE UNION FNPT X FNPT HIGH RANGE PRESSURE (HR) OPTION: 60-125 PSI, FIELD SET, IN-LINE WYE TYPE STRAINER</b>	
1-1/4"	114-500XL3HRY
1-1/2"	112-500XL3HRY
2"	2-500XL3HRY
<b>500XL3HRY: FNPT X FNPT, HIGH RANGE PRESSURE (HR) OPTION: 60-125 PSI, FIELD SET, IN-LINE WYE</b>	
2-1/2"	212-500XL3HRY
3"	3-500XL3HRY
<b>500XL3FHRY: CLASS 150# FLANGED X FLANGED, HIGH RANGE PRESSURE (HR) OPTION: 60-125 PSI, FIELD SET, IN-LINE DUCTLIE IRON WYE TYPE STRAINER</b>	
2-1/2"	212-500XL3FHRY
3"	3-500XL3FHRY
4"	4-500XL3FHRY
<b>GAUGE (G) OPTION: WITH GAUGE IN BOX (E.G. 1-500XL3G)</b>	
1" - 4"	

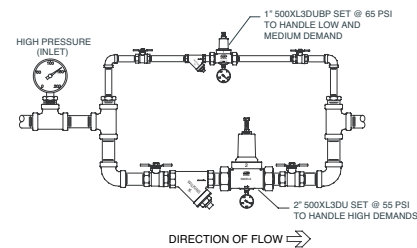
## TYPICAL INSTALLATION



TYPICAL INSTALLATION



VERTICAL INSTALLATION



PARALLEL INSTALLATION

BACKFLOW PREVENTERS  
 BACKFLOW PREVENTERS ACCESSORIES  
 STRAINERS  
 AUTOMATIC CONTROL VALVES  
 PRESSURE REDUCING VALVES  
 FIRE PROTECTION VALVES  
 THERMOSTATIC MIXING VALVES  
 RELIEF VALVES  
 MISCELLANEOUS PLUMBING PRODUCTS  
 REPAIR KITS

## 500XL SERIES – PRESSURE REDUCING VALVE



### APPLICATIONS

High flow rates and low fall-off are the hallmark of the 500XL series. Perfect for your commercial or industrial pressure reduction applications.

### FEATURES

- 1/2" - 3"
- 300 psi max
- Spring range 25 to 75 psi
- 140°F max
- All bronze body and bell housing provides durability and long life
- All internal parts corrosion-resistant

### APPROVALS AND APPLICABLE SPECIFICATIONS

- ASSE® Listed 1003 (1/2"-2-1/2"), cUPC® Listed (1/2"-2"), CSA® Certified (1/2"-2"), City of Los Angeles (1/2"-3")
- Certified to NSF/ANSI/CAN 61 and 372

### ACCESSORIES

- Thermal expansion tank (Model XT)
- Model 500XLYSBR available with strainer attached

SIZE	LEAD-FREE PART NUMBER
<b>500XL: FNPT UNION X FNPT</b>	
1/2"	12-500XL
3/4"	34-500XL
1"	1-500XL
1-1/4"	114-500XL
1-1/2"	112-500XL
2"	2-500XL
<b>500XL: FNPT X FNPT</b>	
2-1/2"	212-500XL
3"	3-500XL
<b>500XLC: FEMALE CU SWT UNION X FNPT</b>	
1/2"	12-500XLC
3/4"	34-500XLC
1"	1-500XLC
1-1/4"	114-500XLC
1-1/2"	112-500XLC
2"	2-500XLC
<b>500XLCPVC: CPVC UNION X FNPT</b>	
3/4"	34-500XLCPVC
1"	1-500XLCPVC

## 500XLYSBR SERIES – PRESSURE REDUCING VALVE

SIZE	LEAD-FREE PART NUMBER
<b>500XLYSBR: FNPT X FNPT, IN-LINE BRONZE "Y" TYPE STRAINER</b>	
1/2"	12-500XLYSBR
3/4"	34-500XLYSBR
1"	1-500XLYSBR
1-1/4"	114-500XLYSBR
1-1/2"	112-500XLYSBR
2"	2-500XLYSBR
2-1/2"	212-500XLYSBR
3"	3-500XLYSBR

See 500XL for Options and List Price adders.

## 510XL SERIES – OPTION FOR 500XL

SIZE	LEAD-FREE PART NUMBER
<b>510XL: FNPT UNION X FNPT (BUILT-IN BY-PASS 1/2" - 2", SIZES 2-1/2" &amp; 3" LESS UNION). 400 PSI MAX, SPRING RANGE 75-125 PSI. SET TO 85 PSI, 2-1/2" - 3" FIELD SET.</b>	
1/2"	12-510XL
3/4"	34-510XL
1"	1-510XL
1-1/4"	114-510XL
1-1/2"	112-510XL
2"	2-510XL
2-1/2"	212-510XL
3"	3-510XL

<b>510XLC: FEMALE CU SWT UNION X FNPT</b>	
1/2"	12-510XLC
3/4"	34-510XLC
1"	1-510XLC
1-1/4"	114-510XLC
1-1/2"	112-510XLC
2"	2-510XLC

<b>510XLYSBR: FNPT X FNPT, IN-LINE BRONZE "Y" TYPE STRAINER. 400 PSI MAX, SPRING RANGE 75-125 PSI. SET TO 85 PSI, 2-1/2"-3" FIELD SET.</b>	
1/2"	12-510XLYSBR
3/4"	34-510XLYSBR
1"	1-510XLYSBR
1-1/4"	114-510XLYSBR
1-1/2"	112-510XLYSBR
2"	2-510XLYSBR
2-1/2"	212-510XLYSBR
3"	3-510XLYSBR

See Model 500XL for Options and List Price adders.

### OPTIONS AND LIST PRICE ADDERS:

**PLUG (P) OPTION: TAPPED AND PLUGGED (E.G. 34-500XLP)**

1/2" - 3" P Suffix

**GAUGE (G) OPTION: TAPPED AND PLUGGED WITH GAUGE (E.G. 34-500XLG)**

1/2" - 3" G Suffix

**HIGH RANGE PRESSURE (HR) OPTION: 75-125 PSI, SET 85 PSI (E.G. 34-500XLHR)**

1/2" - 3" HR Suffix

**HIGH - LOW RANGE PRESSURE RANGE (HLR) OPTION: 10-125 PSI, SET 50 PSI (E.G. 34-500XHLR)**

1/2" - 3" HLR Suffix

**SEALED CAGE (SC) OPTION WITH SS ADJ SCREW. FOR BELOW GRADE AND METER BOX APPLICATIONS (E.G. 34-500XLSC)**

1/2" - 3" SC Suffix

**HOT WATER SERVICE (HTSTSC) OPTION: HIGH TEMP 180 °F (E.G. 34-500XLHTSTSC)**

1/2" - 3" HTSTSC Suffix

**LOW RANGE PRESSURE AND HOT WATER SERVICE (LPV) OPTION: 10-35 PSI, SET 20 PSI, HIGH TEMP 180 °F (E.G. 34-500XLLPV)**

1/2" - 3" LPV Suffix

**CHROME INTERNALS (SW) OPTION FOR SALT WATER (E.G. 34-500XLSW)**

1/2" - 3" SW Suffix

**LESS INTERNAL BY-PASS (L) OPTION (E.G. 34-500XLL)**

1/2" - 2" L Suffix

## 500XL SERIES – PRESSURE REDUCING VALVE

### 500XLF SERIES – PRESSURE REDUCING VALVE

SIZE	LEAD-FREE PART NUMBER
<b>500XLF: CLASS 125# FLANGED X FLANGED, FIELD SET. 300 PSI MAX, SPRING RANGE 25-75 PSI.</b>	
2"	2-500XLF
2-1/2"	212-500XLF
3"	3-500XLF

### 510XLF SERIES – OPTION FOR 500XLF

SIZE	LEAD-FREE PART NUMBER
<b>510XLF: CLASS 125# FLANGED X FLANGED. 400 PSI MAX, SPRING RANGE 75-125 PSI. FIELD SET.</b>	
2"	2-510XLF
2-1/2"	212-510XLF
3"	3-510XLF

See 500XL for Options and List Price adders.

#### OPTIONS AND LIST PRICE ADDERS:

**PLUG FOR GAUGE (P) OPTION: TAPPED AND PLUGGED (E.G. 3-500XLFCP)**

2" - 3" P Suffix

**GAUGE (G) OPTION: TAPPED AND PLUGGED WITH GAUGE (E.G. 3-500XLFCG)**

2" - 3" G Suffix

**HIGH RANGE PRESSURE (HR) OPTION: 75-125 PSI, FIELD SET (E.G. 3-500XLFCHR)**

2" - 3" HR Suffix

**HIGH-LOW RANGE PRESSURE (HLR) OPTION: 10-125 PSI, FIELD SET (E.G. 3-500XLFCHLR)**

2" - 3" HLR Suffix

**SEALED CAGE (SC) OPTION: FOR BELOW GRADE AND METER BOX APPLICATIONS (E.G. 3-500XLFCSC)**

2" - 3" SC Suffix

**HOT WATER SERVICE (HTSTSC) OPTION: HIGH TEMP 180 °F (E.G. 3-500XLFCHTSTSC)**

2" - 3" HTSTSC Suffix

**LOW RANGE PRESSURE AND HOT WATER SERVICE (LPV) OPTION: 10-35 PSI, SET 20 PSI, HI TEMP 180 °F (E.G. 3-500XLFLPV)**

2" - 3" LPV Suffix

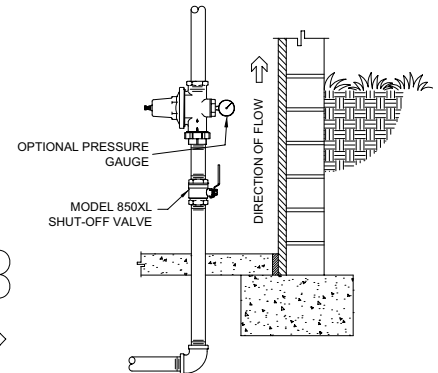
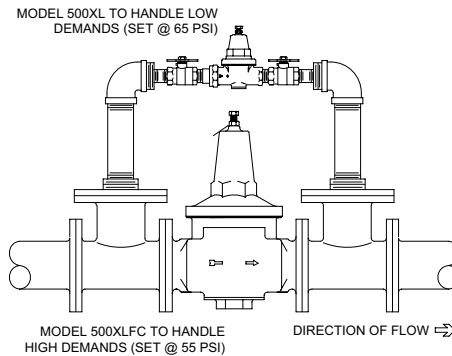
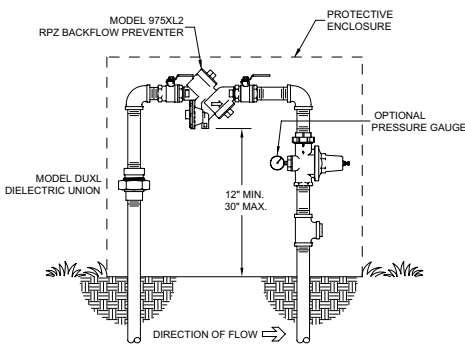
**FSC STRAINER (FSC) OPTION WITH BOLT KIT, FLANGED X FLANGED CONNECTION (E.G. 3-500XLFCFSC)**

2-1/2" - 3" FSC Suffix

**CHROME INTERNALS (SW) OPTION: FLANGED X FLANGED, CHROME INTERNALS FOR SALT WATER (E.G. 3-500XLFCSW)**

2" - 3" SW Suffix

### TYPICAL INSTALLATION





## 600XL3 SERIES – PRESSURE REDUCING VALVE



### APPLICATIONS

Designed for installation on potable water lines to reduce high inlet pressure to a lower outlet pressure. The venturi technology enables the 600XL3 to have best-in-class flow performance. The high flow capacity makes this device most suitable for commercial plumbing systems and residential water lines. Includes a strainer with separate access port for easy strainer cleanout.

### FEATURES

- 3/4" - 2"
- Spring range 15 to 75 psi (60-125 psi High Range Option)
- 400 psi max
- 140°F max
- All bronze body and bell housing provides durability and long life
- Tapped and plugged standard on all valves – provides ease to add downstream gauge
- Stainless steel stem and composite cartridge internals resist corrosion to extend lifespan
- Stainless steel fasteners withstand heavy wear and harsh environments
- 625XL3 versions have the same lay length and connection thread type as competitor valves

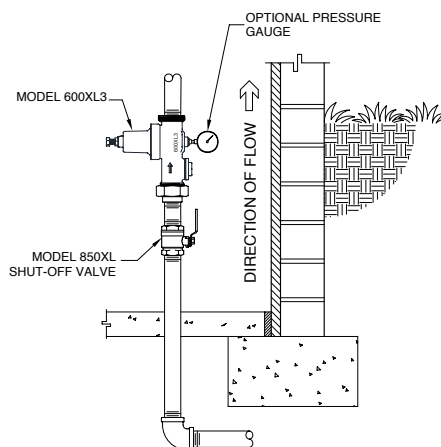
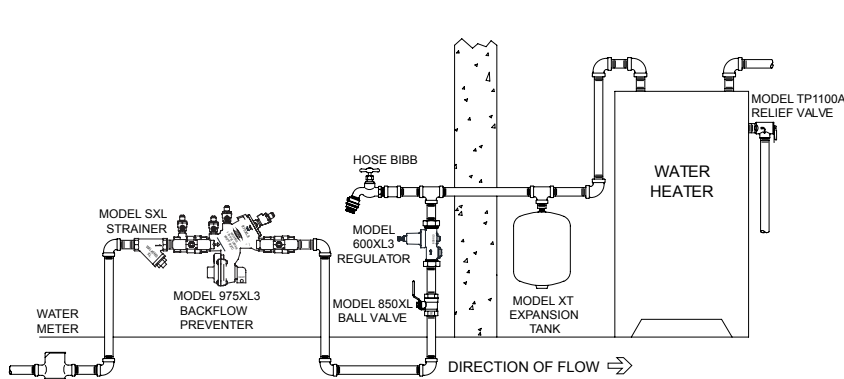
### APPROVALS AND APPLICABLE SPECIFICATIONS

- ASSE® Listed 1003, cUPC® Listed, CSA® Certified
- Certified to NSF/ANSI 61/CAN 61 & 372

### ACCESSORIES

- Thermal expansion tank (Model XT)

### TYPICAL INSTALLATION



SIZE	PART NUMBER
<b>600XL3: FNPT UNION X FNPT</b>	
3/4"	34-600XL3
1"	1-600XL3
1-1/4"	114-600XL3
1-1/2"	112-600XL3
2"	2-600XL3
<b>600XL3C: COPPER SWEAT UNION X FNPT</b>	
3/4"	34-600XL3C
1"	1-600XL3C
1-1/4"	114-600XL3C
1-1/2"	112-600XL3C
2"	2-600XL3C
<b>600XL3 PRV 15-75 PSI SINGLE UNION X FNPT W/ GAUGE</b>	
3/4"	34-600XL3G
1"	1-600XL3G
1-1/4"	114-600XL3G
1-1/2"	112-600XL3G
2"	2-600XL3G
<b>600XL3 PRV DBL METER THREAD 7.5" LONG</b>	
3/4" (15-75 PSI)	34-600XL3DM
3/4" (60-125 PSI)	34-600XL3DMHR
<b>600XL3 PRV 15-75 PSI FEM X FEM NPT LEAD FREE</b>	
3/4"	34-600XL3LU*
<b>600XL3HR: FNPT UNION X FNPT, HIGH RANGE PRESSURE (HR) OPTION: 60-125 PSI, FIELD SET</b>	
3/4"	34-600XL3HR
1"	1-600XL3HR
1-1/4"	114-600XL3HR
1-1/2"	112-600XL3HR
2"	2-600XL3HR
<b>600XL3DU: FNPT UNION X FNPT UNION</b>	
3/4"	34-600XL3DU
1"	1-600XL3DU
1-1/4"	114-600XL3DU
1-1/2"	112-600XL3DU
2"	2-600XL3DU
<b>600XL3DUC: COPPER SWEAT UNION X COPPER SWEAT UNION</b>	
3/4"	34-600XL3DUC
1"	1-600XL3DUC
1-1/4"	114-600XL3DUC
1-1/2"	112-600XL3DUC
2"	2-600XL3DUC

SIZE	PART NUMBER
<b>600XL3 PRV 15-75 PSI LOW FLOW BYPASS DOUBLE UNION TAILPIECES</b>	
1"	1-600XL3DUBP
1-1/2"	112-600XL3DUBP
2"	2-600XL3DUBP

## 625XL3 SERIES - OPTION FOR 600XL3

SIZE	PART NUMBER
<b>625XL3: FNPT UNION X FNPT</b>	
3/4"	34-625XL3
1"	1-625XL3
1-1/4"	114-625XL3*
1-1/2"	112-625XL3*
2"	2-625XL3*
<b>625XL3C: COPPER SWEAT UNION X FNPT</b>	
3/4"	34-625XL3C
1"	1-625XL3C
1-1/4"	114-625XL3C*
1-1/2"	112-625XL3C*
2"	2-625XL3C*
<b>625XL3 PRV 15-75 PSI SINGLE UNION X FNPT W/ GAUGE</b>	
3/4"	34-625XL3G
1"	1-625XL3G
1-1/4"	114-625XL3G*
1-1/2"	112-625XL3G*
2"	2-625XL3G*
<b>625XL3HR: FNPT UNION X FNPT, HIGH RANGE PRESSURE (HR) OPTION: 60-125 PSI, FIELD SET</b>	
3/4"	34-625XL3HR
1"	1-625XL3HR
1-1/4"	114-625XL3HR*
1-1/2"	112-625XL3HR*
2"	2-625XL3HR*

\*Available in Late 2024

## 600XL SERIES – PRESSURE REDUCING VALVE



### APPLICATIONS

Sandy, debris laden water systems result in frequent PRV strainer cleanings. The 600XL, with its separate strainer cap allows this task to be completed very rapidly.

### FEATURES

- 1/2" - 2"
- Spring range 25 to 75 psi
- 300 psi max
- 140°F max
- All bronze body and bell housing provides durability and long life
- Integral stainless steel strainer with separate access cover

### APPROVALS AND APPLICABLE SPECIFICATIONS

- ASSE® Listed 1003, cUPC® Listed, CSA® Certified, City of Los Angeles
- Certified to NSF/ANSI/CAN 61 and 372

### ACCESSORIES

- Pressure gauges (Model 92-25A: 1/2", 3/4") (Model 92-25: 1" - 2")
- Thermal expansion tank (Model XT)

SIZE	LEAD-FREE PART NUMBER
<b>600XL: FNPT UNION X FNPT</b>	
1/2"	12-600XL
3/4"	34-600XL
1"	1-600XL
1-1/4"	114-600XL
1-1/2"	112-600XL
2"	2-600XL
<b>600XLC: FEMALE CU SWT UNION X FNPT</b>	
1/2"	12-600XLC
3/4"	34-600XLC
1"	1-600XLC
1-1/4"	114-600XLC
1-1/2"	112-600XLC
2"	2-600XLC
<b>600XLDM: DOUBLE MALE METER THREADS</b>	
3/4"	34-600XLDM
1"	1-600XLDM
<b>600XLLU: FNPT X FNPT, LESS UNION &amp; TAILPIECE</b>	
See NR3XL for other Less Union options	
1/2"	12-600XLLU
3/4"	34-600XLLU
1"	1-600XLLU

## 610XL SERIES – OPTION FOR 600XL

SIZE	LEAD-FREE PART NUMBER
<b>610XL: FNPT UNION X FNPT</b>	
1/2"	12-610XL
3/4"	34-610XL
1"	1-610XL
1-1/4"	114-610XL
1-1/2"	112-610XL
2"	2-610XL
<b>610XLC: FEMALE CU SWT UNION X FNPT</b>	
1/2"	12-610XLC
3/4"	34-610XLC
1"	1-610XLC
1-1/4"	114-610XLC
1-1/2"	112-610XLC
2"	2-610XLC

See 600XL for Options and List Price adders.

## 625XL SERIES – OPTION FOR 600XL

SIZE	LEAD-FREE PART NUMBER
<b>625XLSULU: FNPT UNION X UNION CONNECTION, LESS TAILPIECE AND UNION NUT</b>	
3/4"	34-625XLSULU
1"	1-625XLSULU
<b>625XL: FNPT UNION X FNPT</b>	
3/4"	34-625XL
1"	1-625XL
<b>625XLC: FEMALE CU SWT UNION X FNPT</b>	
3/4"	34-625XLC
1"	1-625XLC

### OPTIONS AND LIST PRICE ADDERS:

**PLUG (P) OPTION: TAPPED AND PLUGGED (E.G. 2-600XLP)**

1/2" - 2" P Suffix

**GAUGE (G) OPTION: TAPPED AND PLUGGED WITH GAUGE (E.G. 2-600XLG)**

1/2" - 2" G Suffix

**HIGH RANGE PRESSURE (HR) OPTION: 75-125 PSI, SET 85 PSI (E.G. 2-600XLR)**

1/2" - 2" HR Suffix

**HIGH-LOW RANGE PRESSURE (HLR) OPTION: 10-125 PSI, SET 50 PSI (E.G. 2-600XLR)**

1/2" - 2" HLR Suffix

**SEALED CAGE (SC) OPTION WITH SS ADJ. SCREW. FOR BELOW GRADE AND METER BOX APPLICATIONS (E.G. 2-600XLS)**

1/2" - 2" SC Suffix

**HOT WATER SERVICE (HTSTSC) OPTION: HIGH TEMP 180 °F (E.G. 2-600XLHTSTSC)**

1/2" - 2" HTSTSC Suffix

**LOW RANGE PRESSURE AND HOT OR COLD WATER SERVICE (LPV) OPTION: 10-35 PSI, SET 20 PSI, HIGH TEMP 180 °F (E.G. 2-600XLLPV)**

1/2" - 2" LPV Suffix

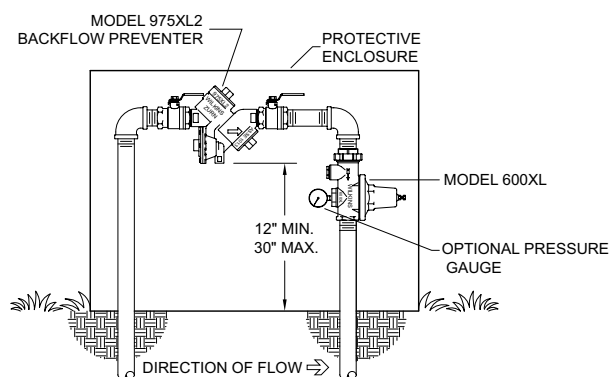
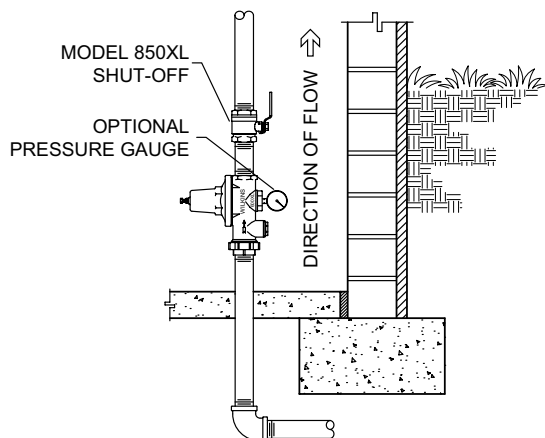
**CHROME INTERNALS (CH) OPTION (E.G. 2-600XLCH)**

1/2" - 2" CH Suffix

**LESS INTERNAL BY-PASS (L) OPTION (E.G. 2-600XLL)**

1/2" - 2" L Suffix

### TYPICAL INSTALLATION



# WATER PRESSURE REDUCING VALVE ACCESSORIES

## TPKXL SERIES – TAILPIECE KITS



### APPLICATIONS

Designed for connection in different types of plumbing systems, to install pressure reducing valves (regulators) and thermostatic mixing valves. Available in a variety of sizes and end connections.

### FEATURES

- 1/2" - 2" (TMV max size 1")
- Configurations include male NPT, female NPT, female copper sweat, male copper sweat, PEX barb, CPVC, compression, Z-Bite™ push type, Z-Press™ press type, and extended retrofit options
- Brass tailpiece or CPVC tailpiece
- Cast brass union nut
- EPDM gasket

SIZE	INLET X OUTLET CONNECTIONS / OPTIONS	LEAD-FREE PART NUMBER
<b>TPKXL: NPT CONNECTIONS</b>		
1/2"	Female NPT	12-TPKXL
1/2" x 3/4"	1/2" Female NPT, 3/4" Union	12X34-TPKXL
3/4"	Female NPT	34-TPKXL
1"	Female NPT	1-TPKXL
1-1/4"	Female NPT	114-TPKXL
1-1/2"	Female NPT	112-TPKXL
2"	Female NPT	2-TPKXL
1/2" x 3/4"	1/2" Female NPT, 3/4" Union, SS Screen	12X34-TPKXLS
3/4"	Female NPT, SS Screen	34-TPKXLS
3/4"	Male NPT	34-TPKXLM
3/4"	Male NPT, SS Screen	34-TPKXLMs
1"	Male NPT	1-TPKXLM
<b>TPKXLC: COPPER SWEAT CONNECTIONS</b>		
1/2"	Female CU SWT	12-TPKXLC
1/2" x 3/4"	1/2" Female CU SWT, 3/4" Union	12X34-TPKXLC
3/4"	Female CU SWT	34-TPKXLC
1"	Female CU SWT	1-TPKXLC
1" x 3/4"	1" Female CU SWT, 3/4" Union	1X34-TPKXLC
1-1/4"	Female CU SWT	114-TPKXLC
1-1/2"	Female CU SWT	112-TPKXLC
2"	Female CU SWT	2-TPKXLC
1/2" x 3/4"	1/2" Female CU SWT, 3/4" Union, SS Screen	12X34-TPKXLCS
3/4"	Female CU SWT, SS Screen	34-TPKXLCS
1" x 3/4"	1" Female CU SWT, 3/4" Union, SS Screen	1X34-TPKXLCS
3/4"	Male CU SWT	34-TPKXLCM
1"	Male CU SWT	1-TPKXLCM
<b>TPKCPVC: CPVC CONNECTIONS</b>		
1/2" x 3/4"	1/2" CPVC, 3/4" Union	12X34-TPKCPVC
1/2" x 3/4"	1/2" CPVC, 3/4" Union, SS Screen	12X34-TPKCPVCS
3/4"	CPVC	34-TPKCPVC
3/4"	CPVC, SS Screen	34-TPKCPVCS
1"	CPVC	1-TPKCPVC
<b>TPKXLPEX: PEX CONNECTIONS</b>		
1/2" x 3/4"	1/2" PEX, 3/4" Union	12X34-TPKXLPEX
3/4"	PEX	34-TPKXLPEX
1"	PEX	1-TPKXLPEX
<b>TPKXLPF: Z-BITE™ PUSH-TYPE SOLDERLESS TAILPIECE KIT</b>		
1/2"	1/2" Push Fitting x Union	12-TPKXLPF
1/2" x 3/4"	1/2" Push Fitting x 3/4" Union	12X34-TPKXLPF
1/2" x 3/4"	1/2" Push Fitting x 3/4" Union, SS Screen	12X34-TPKXLPFS
3/4"	3/4" Push Fitting x Union	34-TPKXLPF
1"	1" Push Fitting x Union	1-TPKXLPF

# WATER PRESSURE REDUCING VALVE ACCESSORIES

## 25 SERIES – PRESSURE GAUGES



SIZE	INLET X OUTLET CONNECTIONS / OPTIONS	LEAD-FREE EXEMPT PART NUMBER
<b>25 SERIES: PRESSURE GAUGE</b>		
1/8"	Pressure Gauge, 2" Dial, 0-100 psi, 1/8" MNPT	92-25A
1/4"	Pressure Gauge, 2" Dial, 0-100 psi, 1/4" MNPT	92-25
3/4"	Pressure Gauge, 2" Dial, 0 - 200psi, 3/4" Female Hose Bibb	HGI-25
1/4"	Pressure Gauge, 2-1/2" Dial, 0 - 300psi, 1/4" MNPT	2004-25-300
1/4"	Pressure Gauge, 3 1/2" Dial, 0 - 300psi, 1/4" MNPT	2010-25-300
1/4"	Pressure Gauge, UL/FM Listed, 3 1/2" Dial, 0 - 300psi, 1/4" MNPT	2005-25UL
1/8"	Pressure Gauge, Liquid Filled, 2-1/2" Dial, 0 - 300psi, 1/8" MNPT	2006-25LBP-300
1/4"	Pressure Gauge, Liquid Filled, 2-1/2" Dial, 0 - 300psi, 1/4" MNPT	2004-25L-300

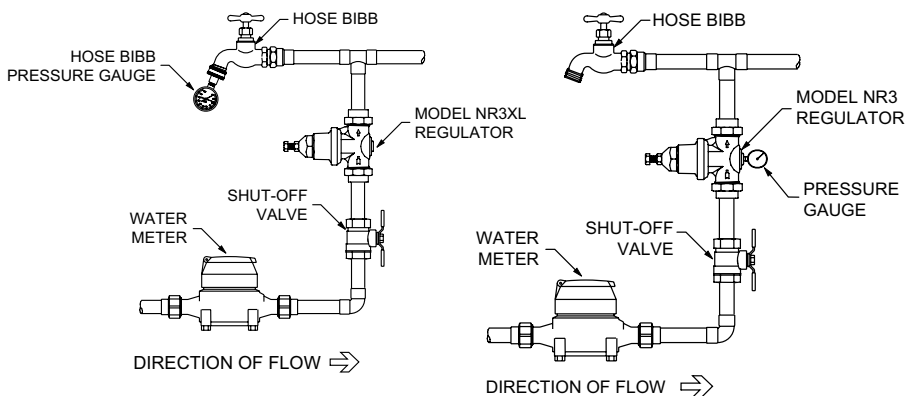
### FEATURES (HGI-25)

- 3/4" hose bibb connection (Model HGI-25)
- Dial size 2"
- Indicator needle identifies the highest pressure
- Range: 0 - 200 psi; minimum 2 psi graduation
- Knurled for easy tightening on hose bibb
- Sold in convenient pegboard packaging

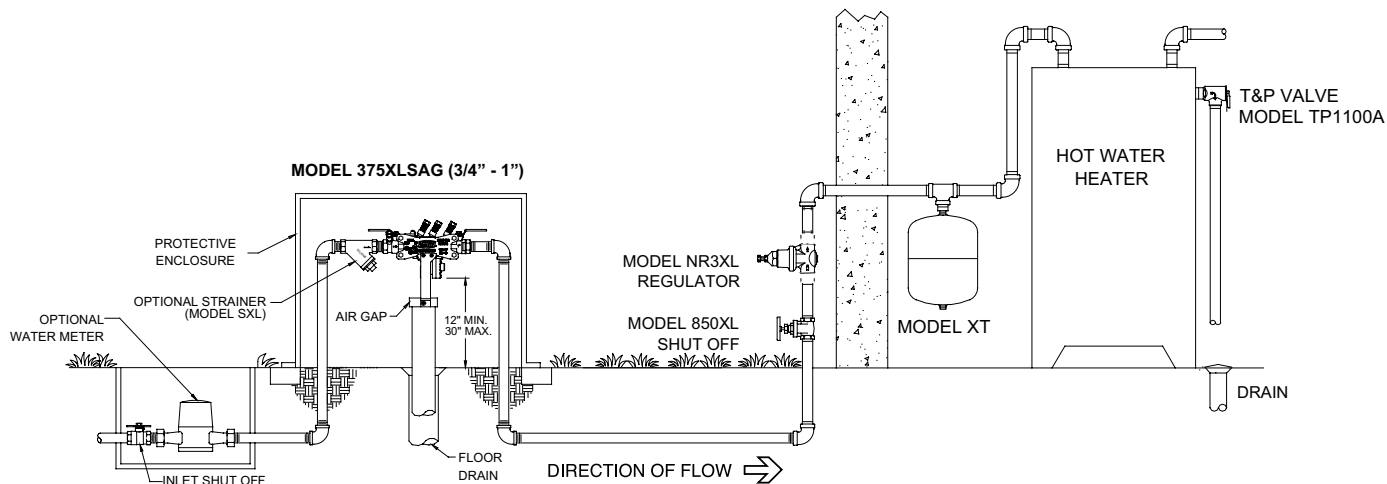
### FEATURES (92-25 AND 92-25A)

- 1/8" NPT (Model 92-25A), 1/4" NPT (Model 92-25)
- Dial size 2"
- Range 0 - 100 psi; minimum 2 psi graduation
- Steel black case
- Specify part no. 92-25 (1/4" NPT); 92-25A (1/8" NPT)

### TYPICAL INSTALLATION



### MODEL NR3XL SERIES - TYPICAL INSTALLATION



# NOTES

BACKFLOW  
PREVENTERS

BACKFLOW PREVENTERS  
ACCESSORIES

STRAINERS

AUTOMATIC  
CONTROL VALVES

PRESSURE  
REDUCING VALVES

FIRE  
PROTECTION VALVES

THERMOSTATIC  
MIXING VALVES

RELIEF VALVES

MISCELLANEOUS  
PLUMBING PRODUCTS

REPAIR KITS

# FIRE PROTECTION VALVES

Zurn Wilkins Pressure-Tru® fire system valves are a reliable choice, delivering superior low life-cycle cost. Customers benefit from on-time delivery and availability for the complete line of Zurn Wilkins fire protection system products.

<b>ZW5000 SERIES</b> – PRESSURE-TRU® FIRE HOSE VALVES	<b>94</b>
<b>ZW5004 SERIES</b> – PRESSURE-TRU® FIRE FLOOR CONTROL VALVES	<b>94</b>
<b>Z3004 SERIES</b> – PRESSURE-TRU® FIRE FLOOR CONTROL VALVES	<b>95</b>
<b>ZW4004 SERIES</b> – PRESSURE-TRU® FIRE FLOOR CONTROL VALVES	<b>95</b>
<b>ZW4000 SERIES</b> – PRESSURE-TRU® FIRE HOSE VALVES	<b>96</b>
<b>Z3000/Z3005 SERIES</b> – PRESSURE-TRU® FIRE HOSE VALVES	<b>96</b>
<b>ZW4104 SERIES</b> – PRESSURE-TRU® FIRE FLOOR CONTROL VALVES	<b>97</b>
<b>ZW4100 SERIES</b> – PRESSURE-TRU® FIRE HOSE VALVES	<b>97</b>
<b>F100/F100G SERIES</b> – FIRE HOSE VALVES	<b>98</b>
<b>F49BR/F49BRG SERIES</b> – POWERBALL BUTTERFLY VALVES	<b>98</b>
<b>F49 SERIES</b> – FIRE BUTTERFLY VALVES	<b>99</b>
<b>F210R SERIES</b> – RISER CHECKS	<b>99</b>
<b>P4000A</b> – PRESSURE RELIEF VALVES	<b>100</b>
<b>COUPLINGS AND FITTINGS</b>	<b>101</b>
<b>FP23 SERIES - COUPLINGS</b> – SINGLE BOLT (EZT), RIGID (R), FLEX (F), REDUCING	<b>101</b>
<b>FP52 SERIES - ELBOWS</b> – 90° STANDARD RADIUS, 90° SHORT RADIUS (S), 45° STANDARD RADIUS (-45), 22.5° STANDARD RADIUS (-22), 11.25° STANDARD RADIUS (-11), END OF RUN ADAPTER (GTF)	<b>102</b>
<b>FP53 SERIES - TEES</b> – STANDARD RADIUS, SHORT RADIUS (S), REDUCING BRANCH	<b>103</b>
<b>FP56 SERIES - CROSSES</b>	<b>103</b>
<b>FP3 SERIES - CAPS</b>	<b>103</b>
<b>FP63 SERIES - MECHANICAL TEES</b> – GROOVED (G), THREADED (TF), U-BOLT (LTF)	<b>104</b>
<b>FP8 SERIES - GROOVED FLANGES</b>	<b>105</b>
<b>FP51 SERIES - GROOVED REDUCERS</b>	<b>105</b>

## ZW5000 SERIES – PRESSURE-TRU® FIRE HOSE VALVES



### APPLICATIONS

The Pressure-Tru® ZW5000 Series Pressure Reducing Valve is listed as a standpipe valve for individual hose stations in CLASS I and CLASS III systems. Regulates pressure under both FLOW and NO-FLOW conditions. Ideal for applications where immediate field adjustments are needed. Can be set in the field as needed.

### FEATURES

- Sizes: 2 1/2"
- 400 psi max
- End connection (FNPT) ANSI B1.20.1, (Grooved) AWWA C606, (Male hose) NFPA1963
- Available in angle or in-line (globe) configurations
- Field adjustable
- Tapped and plugged inlet and outlet for pressure gauge.

### OPTIONS

(Suffixes can be combined)  
 ZW5000 - angle type valve  
 IL - in-line (globe type) valve  
 G - with grooved inlet  
 SF - with San Francisco hose thread (3")  
 ST - with special hose thread  
 CC - with cap and chain  
 CCCH - with cap and chain and chrome finish

ZW5000F - female NPT inlet and outlet angle valve  
 IL - female NPT inlet and outlet in-line valve  
 CH - with chrome finish

### APPROVALS AND APPLICABLE STANDARDS

UL® Listed, C-UL® Listed

### IMPORTANT

Completed order form required. Order form can be found on zurn.com under Related Documents of the valve.

SIZE	INLET X OUTLET CONNECTIONS / OPTIONS	LEAD-FREE EXEMPT PART NUMBER
<b>ZW5000: NATIONAL HOSE THREAD OUTLET</b>		
2-1/2"	FNPT x Male Hose Thread, Angle Body	ZW5000
<b>ZW5000IL: IN-LINE (GLOBE TYPE) VALVE</b>		
2-1/2"	FNPT x Male Hose Thread, In-Line Body	ZW5000IL
<b>ZW5000G: GROOVED X MALE HOSE THD</b>		
2-1/2"	Angle Body	ZW5000G
2-1/2"	In-Line Body	ZW5000ILG
<b>ZW5000SF: WITH SAN FRANCISCO HOSE THREAD (3")</b>		
2-1/2"	Angle Body	ZW5000SF
<b>ZW5000F: FNPT X FNPT</b>		
2-1/2"	Angle Body	ZW5000F
2-1/2"	In-Line Body	ZW5000FIL
<b>OPTIONS AND LIST PRICE ADDERS (ADD OPTION WITH LIST PRICE TO DETERMINE TOTAL LIST PRICE)</b>		
<b>CAP AND CHAIN (CC) OPTION</b>		
2-1/2"		
<i>Part number will be designated with the "CC" option (e.g. ZW5000CC, ZW5000GCC, ZW5000ILCC, ZW5000ILGCC, ZW5000SFCC, ZW5000STCC).</i>		
<b>CHROME FINISH (CH) OPTION</b>		
2-1/2"		
<i>Part number will be designated with the "CH" option (e.g. ZW5000CCCH, ZW5000FCH, ZW5000FILCH, ZW5000GCCCH, ZW5000ILCCCH, ZW5000ILGCCCH, ZW5000SFCCCH).</i>		
<b>SPECIAL THREAD (ST) OPTION</b>		
2-1/2"		
<i>Part number will be designated with the "ST" option (e.g. ZW5000ST, ZW5000GST, ZW5000STCC, ZW5000GSTCC, ZW5000STCCCH, ZW5000GSTCCCH).</i>		

## ZW5004 SERIES – PRESSURE-TRU® FIRE FLOOR CONTROL VALVES



### APPLICATIONS

The Pressure-Tru® ZW5004 Series Pressure Reducing Valve is listed as a floor control valve, an indicating valve, and a check valve in automatic sprinkler systems as well as a standpipe valve for CLASS I and CLASS III systems. Regulates pressure under both FLOW and NO-FLOW conditions. Ideal for applications where immediate field adjustments are needed. Can be set in the field as needed.

### FEATURES

- Sizes: 2 1/2"
- 400 psi max
- End connection (FNPT) ANSI B1.20.1, (Grooved) AWWA C606
- Available in angle or in-line (globe) configurations
- Field adjustable
- Tapped and plugged inlet and outlet for pressure gauge.
- Integral supervisory switch contact rating of 3 amps at 125VAC and a tamper resistant cover

SIZE	INLET X OUTLET CONNECTIONS / OPTIONS	LEAD-FREE EXEMPT PART NUMBER
<b>ZW5004: FNPT X FNPT</b>		
2-1/2"	Angle Body	ZW5004
2-1/2"	Angle Body, Capped Bonnet, No Hand Wheel Assembly	ZW5004CAP
2-1/2"	In-Line Body	ZW5004IL
2-1/2"	In-Line Body, Capped Bonnet, No Hand Wheel Assembly	ZW5004ILCAP
<b>ZW5004G: GROOVED X GROOVED</b>		
2-1/2"	Angle Body	ZW5004G
2-1/2"	Angle Body, Capped Bonnet, No Hand Wheel Assembly	ZW5004GCAP
2-1/2"	In-Line Body	ZW5004ILG
2-1/2"	In-Line Body, Capped Bonnet, No Hand Wheel Assembly	ZW5004ILGCAP

### OPTIONS

(Suffixes can be combined)  
 ZW5004 - angle type valve  
 IL - in-line (globe type) valve  
 G - with grooved inlet  
 CAP - with capped bonnet, no hand wheel assembly

### APPROVALS AND APPLICABLE STANDARDS

UL® Listed, C-UL® Listed

### IMPORTANT

Completed order form required. Order form can be found on zurn.com under Related Documents of the valve.

## Z3004 SERIES – PRESSURE-TRU® FIRE FLOOR CONTROL VALVES



### APPLICATIONS

The Pressure-Tru Z3004 series pressure reducing valve is listed as a floor control valve in automatic sprinkler systems as well as a standpipe valve for class I and class III systems. Regulates pressure under both FLOW and NO-FLOW conditions.

### FEATURES

- 2-1/2"
- 400 psi max
- 500 gpm max
- Open-close indicating feature
- 2-1/2" female inlet and outlet connections or available with grooved options
- Factory set or field adjustable

### APPROVALS AND APPLICABLE STANDARDS

UL® Listed, C-UL® Listed

SIZE	INLET X OUTLET CONNECTIONS / OPTIONS	LEAD-FREE EXEMPT PART NUMBER
<b>Z3004: FNPT X FNPT</b>		
2-1/2"	Angle Body	Z3004
2-1/2"	Angle Body, Capped Bonnet, No Hand Wheel Assembly	Z3004CAP
2-1/2"	In-Line Body	Z3004IL
2-1/2"	In-Line Body, Capped Bonnet, No Hand Wheel Assembly	Z3004ILCAP
<b>Z3004G: GROOVED X GROOVED</b>		
2-1/2"	Angle Body	Z3004G
2-1/2"	Angle Body, Capped Bonnet, No Hand Wheel Assembly	Z3004GCAP
2-1/2"	In-Line Body	Z3004ILG
2-1/2"	In-Line Body, Capped Bonnet, No Hand Wheel Assembly	Z3004ILGCAP
<b>OPTIONS AND LIST PRICE ADDERS (ADD OPTION WITH LIST PRICE TO DETERMINE TOTAL LIST PRICE)</b>		
<b>MONITOR SWITCH ADAPTER (MSA) OPTION</b>		
2-1/2"	<i>Part number will be designated with the "MSA" option (e.g. Z3004MSA, Z3004ILMSACH, Z3004ILGMSA).</i>	
<b>CHROME FINISH (CH) OPTION</b>		
2-1/2"	<i>Part number will be designated with the "CH" option (e.g. Z3004CH, Z3004ILCH, Z3004ILMSACH).</i>	
<b>SUPERVISORY SWITCH (SS) OPTION</b>		
2-1/2"	<i>Part number will be designated with the "SS" option (e.g. Z3004SS, Z3004ILSS, ZW3004ILGSS).</i>	

### IMPORTANT

Completed order form required. Order form can be found on [zurn.com](http://zurn.com) under Related Documents of the valve.

## ZW4004 SERIES – PRESSURE-TRU® FIRE FLOOR CONTROL VALVES



### APPLICATIONS

The Pressure-Tru ZW4004 series pressure reducing valve is listed as a floor control valve in automatic sprinkler systems as well as a standpipe valve for class I and class III systems. Regulates pressure under both FLOW and NO-FLOW conditions.

### FEATURES

- 2-1/2"
- 400 psi max
- 500 gpm max
- Open-Close indicating feature
- 2-1/2" Female NPT inlet and outlet connection
- Factory set, non-field adjustable
- Use Part Number Assistant on [zurn.com](http://zurn.com) for factory setting (Available flow Curves N, O, P, Q, R, S, T & U, example: ZW4004G-T)

### APPROVALS AND APPLICABLE STANDARDS

UL® Listed, C-UL® Listed

SIZE	INLET X OUTLET CONNECTIONS / OPTIONS	LEAD-FREE EXEMPT PART NUMBER
<b>ZW4004: FNPT X FNPT</b>		
2-1/2"	Angle Body	ZW4004
2-1/2"	Angle Body, Capped Bonnet, No Hand Wheel Assembly	ZW4004CAP
2-1/2"	In-Line Body	ZW4004IL
2-1/2"	In-Line Body, Capped Bonnet, No Hand Wheel Assembly	ZW4004ILCAP
<b>ZW4004G: GROOVED X GROOVED</b>		
2-1/2"	Angle Body	ZW4004G
2-1/2"	Angle Body, Capped Bonnet, No Hand Wheel Assembly	ZW4004GCAP
2-1/2"	In-Line Body	ZW4004ILG
2-1/2"	In-Line Body, Capped Bonnet, No Hand Wheel Assembly	ZW4004ILGCAP
<b>OPTIONS AND LIST PRICE ADDERS (ADD OPTION WITH LIST PRICE TO DETERMINE TOTAL LIST PRICE)</b>		
<b>MONITOR SWITCH ADAPTER (MSA) OPTION</b>		
2-1/2"	<i>Part number will be designated with the "MSA" option (e.g. ZW4004MSA-P, ZW4004ILMSA-S, ZW4004ILGMSA-T).</i>	
<b>CHROME FINISH (CH) OPTION</b>		
2-1/2"	<i>Part number will be designated with the "CH" option (e.g. ZW4004CH-P, ZW4004ILCH-S, ZW4004ILGMSACH-T).</i>	
<b>SUPERVISORY SWITCH (SS)</b>		
2-1/2"	<i>Part number will be designated with the "SS" option (e.g. ZW4004SS-P, ZW4004ILSS-S, ZW4004ILGSSCH-T).</i>	

### IMPORTANT

Completed order form required. Order form can be found on [zurn.com](http://zurn.com) under Related Documents of the valve.

BACKFLOW PREVENTERS  
BACKFLOW PREVENTERS ACCESSORIES  
STRAINERS  
AUTOMATIC CONTROL VALVES  
PRESSURE REDUCING VALVES  
FIRE PROTECTION VALVES  
THERMOSTATIC MIXING VALVES  
RELIEF VALVES  
MISCELLANEOUS PLUMBING PRODUCTS  
REPAIR KITS



BACKFLOW PREVENTERS  
 BACKFLOW PREVENTERS ACCESSORIES  
 STRAINERS  
 AUTOMATIC CONTROL VALVES  
 PRESSURE REDUCING VALVES  
 FIRE PROTECTION VALVES  
 THERMOSTATIC MIXING VALVES  
 RELIEF VALVES  
 MISCELLANEOUS PLUMBING PRODUCTS  
 REPAIR KITS

## ZW4000 SERIES – PRESSURE-TRU® FIRE HOSE VALVES



### APPLICATIONS

Listed as a standpipe valve for individual hose stations in CLASS I and CLASS III systems. Regulates pressure under both FLOW and NO-FLOW conditions.

### FEATURES

- 2-1/2"
- 400 psi max
- Factory set, non-field adjustable
- All bronze construction
- Available in angle or in-line (globe) configurations
- Use Part Number Assistant on zurn.com for factory setting (Available flow Curves N, O, P, Q, R, S, T & U, example: ZW4000G-T)

### APPROVALS AND APPLICABLE STANDARDS

UL® Listed, C-UL® Listed

SIZE	INLET X OUTLET CONNECTIONS / OPTIONS	LEAD-FREE EXEMPT PART NUMBER
<b>ZW4000: FNPT X MALE HOSE THREAD, ANGLE BODY</b>		
2-1/2"		ZW4000
<b>ZW4000IL: FNPT X MALE HOSE THREAD, IN-LINE BODY</b>		
2-1/2"		ZW4000IL
<b>ZW4000G: GROOVED X MALE HOSE THREAD, ANGLE BODY</b>		
2-1/2"		ZW4000G
<b>ZW4000ILG: GROOVED X MALE HOSE THREAD, IN-LINE BODY</b>		
2-1/2"		ZW4000ILG
<b>ZW4000SF: WITH SAN FRANCISCO HOSE THREAD (3")</b>		
2-1/2"	FNPT x SF Male Hose Thread, Angle Body	ZW4000SF
2-1/2"	FNPT x SF Male Hose Thread, In-Line Body	ZW4000ILSF
2-1/2"	Grooved x SF Male Hose Thread, Angle Body	ZW4000GSF
<b>OPTIONS AND LIST PRICE ADDERS (ADD OPTION WITH LIST PRICE TO DETERMINE TOTAL LIST PRICE)</b>		
<b>CAP AND CHAIN (CC) OPTION</b>		
2-1/2"		
<i>Part number will be designated with the "CC" option (e.g. ZW4000C/C-M, ZW4000C/CCH-O, ZW4000STC/C-P).</i>		
<b>CHROME FINISH (CH) OPTION</b>		
2-1/2"		
<i>Part number will be designated with the "CH" option (e.g. ZW4000CH-M, ZW4000CCCH-O, ZW4000STCCCH-P).</i>		
<b>SPECIAL FIRE HOSE THREADS (ST) OPTION</b>		
2-1/2"		
<i>Part number will be designated with the "ST" option (e.g. ZW4000ST-M, ZW4000STCH-O, ZW4000GST-P).</i>		

### IMPORTANT

Completed order form required. Order form can be found on zurn.com under Related Documents of the valve.

## Z3000/Z3005 SERIES – PRESSURE-TRU® FIRE HOSE VALVES



### APPLICATIONS

The Pressure-Tru Z3000 and Z3005 series pressure reducing valve is listed as a standpipe valve for individual hose stations in class I and class III systems. Regulates pressure under both FLOW and NO-FLOW conditions.

### FEATURES

- 2-1/2"
- 400 psi max
- All bronze construction
- Model Z3000 series features female NPT inlet x male hose thread outlet or available with grooved inlet
- Model Z3005 series features female NPT inlet and outlet
- Available in angle or in-line (globe) configurations
- Factory set or field adjustable

### APPROVALS AND APPLICABLE STANDARDS

UL® Listed, C-UL® Listed

SIZE	INLET X OUTLET CONNECTIONS / OPTIONS	LEAD-FREE EXEMPT PART NUMBER
<b>Z3000: NATIONAL HOSE THREAD OUTLET</b>		
2-1/2"	FNPT x Male Hose Thread, Angle Body	Z3000
<b>Z3000IL: IN-LINE (GLOBE TYPE) VALVE</b>		
2-1/2"	FNPT x Male Hose Thread, In-Line Body	Z3000IL
<b>Z3000G: GROOVED X MALE HOSE THD</b>		
2-1/2"	Angle Body	Z3000G
2-1/2"	In-Line Body	Z3000ILG
<b>Z3000SF: WITH SAN FRANCISCO HOSE THREAD (3")</b>		
2-1/2"	Angle Body	Z3000SF
2-1/2"	In-Line Body	Z3000ILSF
<b>Z3005: FNPT X FNPT</b>		
2-1/2"	Angle Body	Z3005
2-1/2"	In-Line Body	Z3005IL
<b>OPTIONS AND LIST PRICE ADDERS (ADD OPTION WITH LIST PRICE TO DETERMINE TOTAL LIST PRICE)</b>		
<b>CAP AND CHAIN (C/C) OPTION</b>		
2-1/2"		
<i>Part number will be designated with the "C/C" option (e.g. Z3000C/C, Z3000C/CCH, Z3000STC/C).</i>		
<b>CHROME FINISH (CH) OPTION</b>		
2-1/2"		
<i>Part number will be designated with the "CH" option (e.g. Z3000CH, Z3000C/CCH, Z3000STC/CCH).</i>		
<b>SPECIAL THREAD (ST) OPTION</b>		
2-1/2"		
<i>Part number will be designated with the "ST" option (e.g. Z3000ST, Z3000ILST, Z3000GSTC/C).</i>		

### IMPORTANT

Completed order form required. Order form can be found on zurn.com under Related Documents of the valve.

For additional product information, please visit [www.zurn.com](http://www.zurn.com).

## ZW4104 SERIES – PRESSURE-TRU® FIRE FLOOR CONTROL VALVES



### APPLICATIONS

The Pressure-Tru ZW4104 series pressure reducing valve is listed as a floor control valve in automatic sprinkler systems as well as a standpipe valve for class II systems. Regulates pressure under both FLOW and NO-FLOW conditions.

### FEATURES

- 1-1/2"
- 400 psi max
- 200 gpm max
- Open-Close indicating feature
- 1-1/2" Female NPT inlet and outlet connections
- Available in angle style only
- Factory set, non-field adjustable
- Use Part Number Assistant on [zurn.com](http://zurn.com) for factory setting (Available flow Curves N, O, P, Q, R, S, T & U, example: ZW4104G-T)

SIZE	INLET X OUTLET CONNECTIONS / OPTIONS	LEAD-FREE EXEMPT PART NUMBER
<b>ZW4104: FNPT X FNPT</b>		
1-1/2"	Angle Body	ZW4104
1-1/2"	Angle Body, Capped Bonnet, No Hand Wheel Assembly	ZW4104CAP
<b>ZW4104G: GROOVED X GROOVED</b>		
1-1/2"	Angle Body	ZW4104G
1-1/2"	Angle Body, Capped Bonnet, No Hand Wheel Assembly	ZW4104GCAP
<b>OPTIONS AND LIST PRICE ADDERS (ADD OPTION WITH LIST PRICE TO DETERMINE TOTAL LIST PRICE)</b>		
<b>MSA OPTION, MONITOR SWITCH ADAPTER INSTALLED</b>		
1-1/2"	<i>Part number will be designated with the "MSA" option (e.g. ZW4104MSA-M, ZW4104MSACH-O, ZW4104GCH-P).</i>	
<b>CH OPTION, ROUGH CHROME FINISH</b>		
1-1/2"	<i>Part number will be designated with the "CH" option (e.g. ZW4104CH-M, ZW4104GCH-O, ZW4104SSCH-P).</i>	
<b>SS OPTION, SUPERVISORY SWITCH INSTALLED</b>		
1-1/2"	<i>Part number will be designated with the "SS" option (e.g. ZW4104SS-M, ZW4104SSCH-O, ZW4104GSS-P).</i>	

### APPROVALS AND APPLICABLE STANDARDS

- UL® Listed, C-UL® Listed
- SS option - California State Fire Marshall Listed

### IMPORTANT

Completed order form required. Order form can be found on [zurn.com](http://zurn.com) under Related Documents of the valve.

## ZW4100 SERIES – PRESSURE-TRU® FIRE HOSE VALVES



### APPLICATIONS

The Pressure-Tru ZW4100 series pressure reducing valve is listed as a standpipe valve for individual hose stations in class II systems. Regulates pressure under both FLOW and NO-FLOW conditions.

### FEATURES

- 1-1/2"
- 400 psi max
- All bronze construction
- Model ZW4100 series features female NPT inlet x male hose thread outlet
- Model ZW4100G series features grooved inlet x male hose thread outlet
- Available in angle style only
- Factory set, non-field adjustable
- Use Part Number Assistant on [zurn.com](http://zurn.com) for factory setting (Available flow Curves N, O, P, Q, R, S, T & U, example: ZW4100G-T)
- Contact factory for approvals & availability

SIZE	LEAD-FREE EXEMPT PART NUMBER
<b>ZW4100: FNPT X MALE HOSE THREAD, ANGLE BODY</b>	
1-1/2"	ZW4100
<b>ZW4100G: GROOVED X MALE HOSE THREAD, ANGLE BODY</b>	
1-1/2"	ZW4100G
<b>OPTIONS AND LIST PRICE ADDERS (ADD OPTION WITH LIST PRICE TO DETERMINE TOTAL LIST PRICE)</b>	
<b>CAP AND CHAIN (CC) OPTION</b>	
1-1/2"	<i>Part number will be designated with the "CC" option (e.g. ZW4100CC-M, ZW4100CCCH-O, ZW4100STCC-P).</i>
<b>CHROME FINISH (CH) OPTION</b>	
1-1/2"	<i>Part number will be designated with the "CH" option (e.g. ZW4100CH-M, ZW4100CCCH-O, ZW4100STCCCH-P).</i>
<b>SPECIAL THREAD (ST) OPTION</b>	
1-1/2"	<i>Part number will be designated with the "ST" option (e.g. ZW4100ST-M, ZW4100STCH-O, ZW4100GST-P).</i>

### APPROVALS AND APPLICABLE STANDARDS

- UL® Listed, C-UL® Listed

### IMPORTANT

Completed order form required. Order form can be found on [zurn.com](http://zurn.com) under Related Documents of the valve.

BACKFLOW PREVENTERS  
BACKFLOW PREVENTERS ACCESSORIES  
STRAINERS  
AUTOMATIC CONTROL VALVES  
PRESSURE REDUCING VALVES  
FIRE PROTECTION VALVES  
THERMOSTATIC MIXING VALVES  
RELIEF VALVES  
MISCELLANEOUS PLUMBING PRODUCTS  
REPAIR KITS

## F100/F100G SERIES – FIRE HOSE VALVES



### APPLICATIONS

Zurn Model F100/F100G Fire Hose Valves are standpipe valves listed for use on a fire hose rack assembly, or as a fire department outlet connection. Suitable for test header application.

### FEATURES

- 1-1/2", 2-1/2"
- 300 psi max
- All bronze construction
- Inlet Connections: FNPT or Grooved
- Outlet Connections Options: NH, FNPT or Special Thread (2-1/2")
- Rough chrome plated optional

SIZE	INLET X OUTLET CONNECTIONS / OPTIONS	LEAD-FREE EXEMPT PART NUMBER
<b>F100: FNPT X NH</b>		
1-1/2"	Angle Body, Brass	112-F100
2-1/2"	Angle Body, Brass	212-F100
2-1/2"	Angle Body, Rough Chrome Plated	212-F100CH
<b>F100F: FNPT X FNPT</b>		
1-1/2"	Angle Body, Brass	112-F100F
2-1/2"	Angle Body, Brass	212-F100F
<b>F100ST: FNPT X SPECIAL THREAD</b>		
2-1/2"	Angle Body, Brass	212-F100ST
2-1/2"	Angle Body, Rough Chrome Plated	212-F100STCH
<b>F100G: GRV X NH</b>		
2-1/2"	Angle Body, Brass	212-F100G
2-1/2"	Angle Body, Rough Chrome Plated	212-F100GCH
<b>F100GF: GRV X FNPT</b>		
2-1/2"	Angle Body, Brass	212-F100GF
<b>F100GST: GRV X SPECIAL THREAD</b>		
2-1/2"	Angle Body, Brass	212-F100GST
2-1/2"	Angle Body, Rough Chrome Plated	212-F100GSTCH

### APPROVALS AND APPLICABLE STANDARDS

UL® Listed, FM® Approved, C-UL® Listed, ULC® Listed (2-1/2" only)

## F49BR/F49BRG SERIES – POWERBALL BUTTERFLY VALVES



112-F49BR

2-F49BRG

### APPLICATIONS

Zurn Model F49BR Fire Powerball Butterfly sprinkler control valves provide for easy system shutoff to facilitate repair and maintenance.

SIZE	INLET X OUTLET CONNECTIONS / OPTIONS	LEAD-FREE EXEMPT PART NUMBER
<b>F49BR: THREADED</b>		
1"	Brass with Supervisory Switch	1-F49BR
1-1/4"	Brass with Supervisory Switch	114-F49BR
1-1/2"	Brass with Supervisory Switch	112-F49BR
2"	Brass with Supervisory Switch	2-F49BR
2-1/2"	Brass with Supervisory Switch	212-F49BR
<b>F49BRG: GROOVED</b>		
1-1/4"	Brass with Supervisory Switch	114-F49BRG
1-1/2"	Brass with Supervisory Switch	112-F49BRG
2"	Brass with Supervisory Switch	2-F49BRG
2-1/2"	Brass with Supervisory Switch	212-F49BRG

### FEATURES

- 1", 1-1/4", 1-1/2", 2", 2-1/2"
- 300 psi max
- Threaded or grooved end connections
- Valves feature low torque actuation and a built-in tamper switch
- Operated with a slow closing 1/4 turn antiwater hammer valve
- Tamper switches signal movement of the valve from the full open position to an alarm

### APPROVALS AND APPLICABLE STANDARDS

UL® Listed, C-UL® Listed, FM® Approved

## F49 SERIES – FIRE BUTTERFLY VALVES



### APPLICATIONS

The Zurn F49 Fire Butterfly Valves provide a slow opening anti-waterhammer adjustment to control water flow. An integral supervisory tamper switch provides a fire alarm control signal when the valve is moved from the open position.

SIZE	INLET X OUTLET CONNECTIONS / OPTIONS	LEAD-FREE EXEMPT PART NUMBER
<b>F49: FIRE BUTTERFLY VALVES</b>		
2-1/2"	Grooved Butterfly valve, ductile iron, w/ tamper switch	212-F49
3"	Grooved Butterfly valve, ductile iron, w/ tamper switch	3-F49
4"	Grooved Butterfly valve, ductile iron, w/ tamper switch	4-F49
6"	Grooved Butterfly valve, ductile iron, w/ tamper switch	6-F49
8"	Grooved Butterfly valve, ductile iron, w/ tamper switch	8-F49

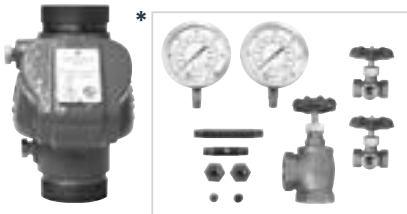
### FEATURES

- Sizes: 2 1/2" - 8"
- 300 psi max
- Short lay length

### APPROVALS AND APPLICABLE STANDARDS

UL® Listed, C-UL® Listed, FM® Approved

## F210R SERIES – RISER CHECKS



### APPLICATIONS

The Zurn F210R Fire Riser Check is a zone water check to prevent system reversal of flow; as required by systems including sprinkler standpipe systems and fire department connections. The F210R Fire Riser Check includes tapped and plugged drilled holes for use with optional Check Trim Kit (sold separately)\* to complete Riser Check. Check Trim Kit includes two gauges, two isolation valves, fittings and drain valve.

SIZE	INLET X OUTLET CONNECTIONS / OPTIONS	LEAD-FREE EXEMPT PART NUMBER
<b>F210R: RISER CHECKS</b>		
2-1/2"	Fire Riser Check, grooved, Tapped for gauge and drain	212-F210R
3"	Fire Riser Check, grooved, Tapped for gauge and drain	3-F210R
4"	Fire Riser Check, grooved, Tapped for gauge and drain	4-F210R
6"	Fire Riser Check, grooved, Tapped for gauge and drain	6-F210R
8"	Fire Riser Check, grooved, Tapped for gauge and drain	8-F210R
<b>OPTIONS</b>		
<b>CHECKTRIM: RISER CHECK TRIM KIT</b>		
2-1/2" - 3"	1-1/4" drain valve, nipples, gauges, for 2-1/2" and 3" riser check	212-3-CHECKTRIM
4" - 8"	2" drain valve, nipples, gauges, for 4", 6" and 8" riser check	4-8-CHECKTRIM

### FEATURES

- Sizes: 2-1/2" - 8"
- 200 psi max
- Tapped and plugged drilled holes for use with optional Check Trim Kit (sold separately) to complete Riser Check

### APPROVALS AND APPLICABLE STANDARDS

UL® Listed, C-UL® Listed, FM® Approved

### ACCESSORIES

Optional Check Trim Kit (CHECKTRIM) to be used with F210R Riser Check. Kit includes two gauges, two isolation valves, fittings and drain valve.

# P4000A - PRESSURE RELIEF VALVES



## TYPICAL INSTALLATION

Underwriters Laboratories requires the installation of pressure gauges upstream and downstream of the pressure reducing valve. Also, a relief valve of not less than 1/2" in size must be installed on the downstream side of the pressure control valve. Adequate drainage for the relief valve discharge must be provided.

SIZE	LEAD-FREE EXEMPT PART NUMBER
<b>P4000A: RELIEF VALVE, FNPT X FNPT, 50-200 PSI</b>	
1/2"	12-P4000A
3/4"	34-P4000A
<b>P4000AHR: RELIEF VALVE, FNPT X FNPT, 150-300 PSI</b>	
1/2"	12-P4000AHR
3/4"	34-P4000AHR

## APPLICATIONS

The pressure relief valve prevents pressure build-up in a fire protection system or other closed type system whenever the line pressure exceeds the setting of the spring caused by pumps, elevated piping and thermal expansion.

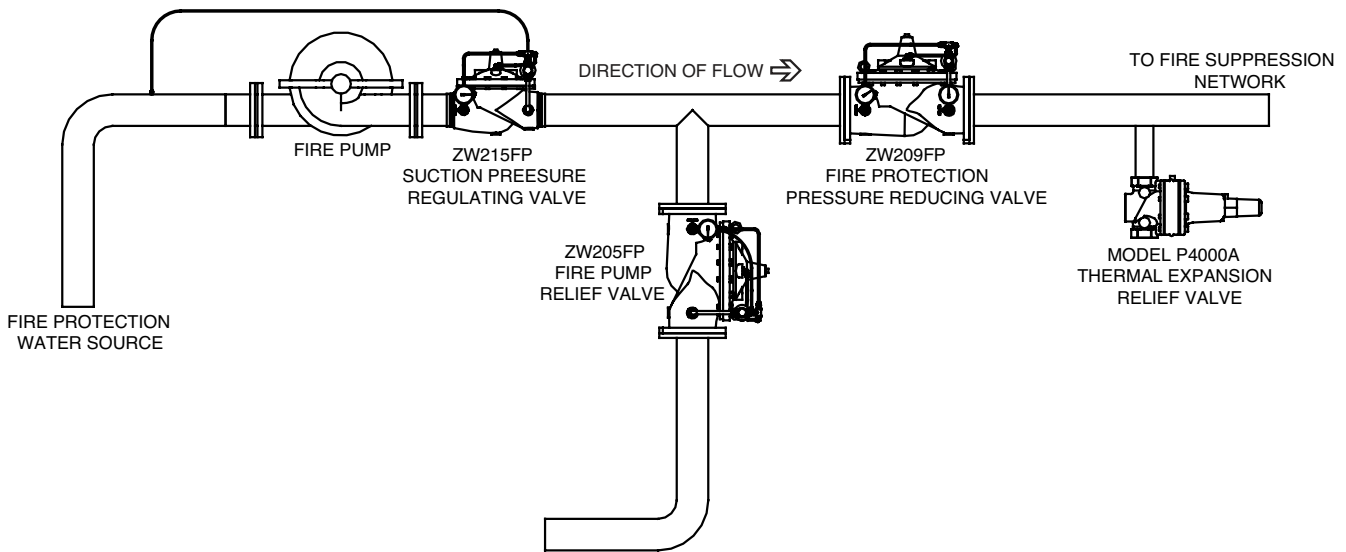
## FEATURES

- 1/2", 3/4"
- Available pressure ranges: 50 to 200 psi standard (UL), 150 to 300 psi (UL)
- 140°F max
- Body and cover materials: cast bronze, stainless steel

## APPROVALS AND APPLICABLE STANDARDS

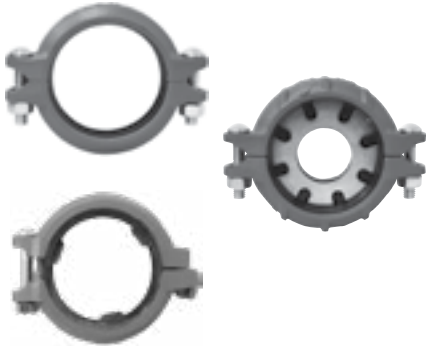
UL® Listed, FM® Approved

## TYPICAL INSTALLATION



## COUPLINGS AND FITTINGS

### FP23 SERIES - COUPLINGS – SINGLE BOLT (EZ1), RIGID (R), FLEX (F), REDUCING



#### APPLICATIONS

Zurn Model FP23 couplings are listed to join grooved pipes together. FP23 couplings are available with Rigid or Flexible options, or for reducing connections.

FP23EZ1 - One-Bolt coupling with gasket tabs for easy push on assembly where rigid joints are desired. FP23R - Rigid Couplings provide sturdy inflexible joints comparable to flanged, welded, or threaded connections. They are designed to prevent angular and axial deflection of connected pipes.

FP23F - Flexible Couplings allow joints to flex at the connection without leakage. They meet flexure requirements for structural settling, inter-building piping, and seismic motion.

FP23 - Reducing Couplings provide a flexible style joint between pipes of different sizes. Each reducing coupling makes a connection that would otherwise require two separate couplings and a reducer.

#### FEATURES

- Sizes: 1 ¼", 1 ½", 2", 2 ½", 3", 4, 6", 8", 10
- Maximum Pressure: 300 PSI

#### APPROVALS AND APPLICABLE STANDARDS

UL® Listed, C-UL® Listed, FM® Approved

SIZE	INLET X OUTLET CONNECTIONS / OPTIONS	LEAD-FREE EXEMPT PART NUMBER
<b>FP23R - RIGID COUPLINGS</b>		
1-1/4"	Grooved coupling, rigid	114-FP23R
1-1/2"	Grooved coupling, rigid	112-FP23R
2"	Grooved coupling, rigid	2-FP23R
2-1/2"	Grooved coupling, rigid	212-FP23R
3"	Grooved coupling, rigid	3-FP23R
4"	Grooved coupling, rigid	4-FP23R
6"	Grooved coupling, rigid	6-FP23R
8"	Grooved coupling, rigid	8-FP23R
10"	Grooved coupling, rigid	10-FP23R
<b>FP23F - FLEXIBLE COUPLINGS</b>		
1-1/4"	Grooved coupling, flexible	114-FP23F
1-1/2"	Grooved coupling, flexible	112-FP23F
2"	Grooved coupling, flexible	2-FP23F
2-1/2"	Grooved coupling, flexible	212-FP23F
3"	Grooved coupling, flexible	3-FP23F
4"	Grooved coupling, flexible	4-FP23F
6"	Grooved coupling, flexible	6-FP23F
8"	Grooved coupling, flexible	8-FP23F
<b>FP23 - REDUCING COUPLINGS</b>		
1-1/2" by 1-1/4"	Grooved coupling, reducing	112X114-FP23
2" by 2-1/2"	Grooved coupling, reducing	2X112-FP23
2-1/2" by 2"	Grooved coupling, reducing	212X2-FP23
3" by 2"	Grooved coupling, reducing	3X2-FP23
3" by 2-1/2"	Grooved coupling, reducing	3X212-FP23
4" by 2"	Grooved coupling, reducing	4X2-FP23
4" by 2-1/2"	Grooved coupling, reducing	4X212-FP23
4" by 3"	Grooved coupling, reducing	4X3-FP23
6" by 4"	Grooved coupling, reducing	6X4-FP23
8" by 6"	Grooved coupling, reducing	8X6-FP23
<b>FP23EZ1 - GROOVED ONE-BOLT COUPLING (REQUIRES DEEP SOCKET FOR ASSEMBLY)</b>		
1-1/4"	One-bolt coupling	114-FP23EZ1
1-1/2"	One-bolt coupling	112-FP23EZ1
2"	One-bolt coupling	2-FP23EZ1
2-1/2"	One-bolt coupling	212-FP23EZ1
3"	One-bolt coupling	3-FP23EZ1
4"	One-bolt coupling	4-FP23EZ1
6"	One-bolt coupling	6-FP23EZ1

## FP52 SERIES - ELBOWS – 90° STANDARD RADIUS, 90° SHORT RADIUS (S), 45° STANDARD RADIUS (-45), 22.5° STANDARD RADIUS (-22), 11.25° STANDARD RADIUS (-11), END OF RUN ADAPTER (GTF)



### APPLICATIONS

The Zurn FP52 Elbows maximize configurability of piping with a range of bend angles from 90 degree to 11.25 degree, including standard and short patterned options and end of run adapters.

### FEATURES

- Elbow Sizes: 1 ¼", 1 ½", 2", 2 ½", 3", 4, 6", 8", 10"
- Elbow Bend Angles: 90°, short radius 90°, 45°, 22.5°, 11.25°
- 90° Grooved End Adapter Outlets: NPT ½", ¾", 1"
- Maximum Pressure: 1 ¼" – 4" Elbows 400 PSI, 6"-10" Elbows 300 PSI, Grooved End of Run Adapters 300 PSI

### APPROVALS AND APPLICABLE STANDARDS

UL® Listed, C-UL® Listed, FM® Approved

SIZE	INLET X OUTLET CONNECTIONS / OPTIONS	LEAD-FREE EXEMPT PART NUMBER
<b>FP52 - 90 DEGREE ELBOW - STANDARD RADIUS</b>		
1-1/4"	Grooved 90 degree elbow	114-FP52
1-1/2"	Grooved 90 degree elbow	112-FP52
2"	Grooved 90 degree elbow	2-FP52
2-1/2"	Grooved 90 degree elbow	212-FP52
3"	Grooved 90 degree elbow	3-FP52
4"	Grooved 90 degree elbow	4-FP52
6"	Grooved 90 degree elbow	6-FP52
8"	Grooved 90 degree elbow	8-FP52
10"	Grooved 90 degree elbow	10-FP52
<b>FP52S - 90 DEGREE ELBOW - SHORT RADIUS</b>		
1-1/4"	Grooved 90 degree elbow, short radius	114-FP52S
1-1/2"	Grooved 90 degree elbow, short radius	112-FP52S
2"	Grooved 90 degree elbow, short radius	2-FP52S
2-1/2"	Grooved 90 degree elbow, short radius	212-FP52S
3"	Grooved 90 degree elbow, short radius	3-FP52S
4"	Grooved 90 degree elbow, short radius	4-FP52S
6"	Grooved 90 degree elbow, short radius	6-FP52S
8"	Grooved 90 degree elbow, short radius	8-FP52S
<b>FP52-45 - 45 DEGREE ELBOW - STANDARD RADIUS</b>		
1-1/4"	Grooved 45 degree elbow	114-FP52-45
1-1/2"	Grooved 45 degree elbow	112-FP52-45
2"	Grooved 45 degree elbow	2-FP52-45
2-1/2"	Grooved 45 degree elbow	212-FP52-45
3"	Grooved 45 degree elbow	3-FP52-45
4"	Grooved 45 degree elbow	4-FP52-45
6"	Grooved 45 degree elbow	6-FP52-45
8"	Grooved 45 degree elbow	8-FP52-45
10"	Grooved 45 degree elbow	10-FP52-45
<b>FP52-22 - 22.5 DEGREE ELBOW - STANDARD RADIUS</b>		
1-1/2"	Grooved 22.5 degree elbow	112-FP52-22
2"	Grooved 22.5 degree elbow	2-FP52-22
2-1/2"	Grooved 22.5 degree elbow	212-FP52-22
3"	Grooved 22.5 degree elbow	3-FP52-22
4"	Grooved 22.5 degree elbow	4-FP52-22
6"	Grooved 22.5 degree elbow	6-FP52-22
8"	Grooved 22.5 degree elbow	8-FP52-22
<b>FP52-11 - 11.25 DEGREE ELBOW - STANDARD RADIUS</b>		
1-1/2"	Grooved 11.25 degree elbow	112-FP52-11
2"	Grooved 11.25 degree elbow	2-FP52-11
2-1/2"	Grooved 11.25 degree elbow	212-FP52-11
3"	Grooved 11.25 degree elbow	3-FP52-11
4"	Grooved 11.25 degree elbow	4-FP52-11
6"	Grooved 11.25 degree elbow	6-FP52-11
<b>FP52GTF - END OF RUN ADAPTER</b>		
1-1/4" by 1/2"	End of run elbow, grooved x Female NPT	114X12-FP52GTF
1-1/4" by 3/4"	End of run elbow, grooved x Female NPT	114X34-FP52GTF
1-1/4" by 1"	End of run elbow, grooved x Female NPT	114X1-FP52GTF
1-1/2" by 1/2"	End of run elbow, grooved x Female NPT	112X12-FP52GTF
1-1/2" by 3/4"	End of run elbow, grooved x Female NPT	112X34-FP52GTF
1-1/2" by 1"	End of run elbow, grooved x Female NPT	112X1-FP52GTF
2" by 1/2"	End of run elbow, grooved x Female NPT	2X12-FP52GTF
2" by 3/4"	End of run elbow, grooved x Female NPT	2X34-FP52GTF
2" by 1"	End of run elbow, grooved x Female NPT	2X1-FP52GTF
2-1/2" by 3/4"	End of run elbow, grooved x Female NPT	212X34-FP52GTF
2-1/2" by 1"	End of run elbow, grooved x Female NPT	212X1-FP52GTF

## FP53 SERIES - TEES – STANDARD RADIUS, SHORT RADIUS (S), REDUCING BRANCH



### APPLICATIONS

The Zurn FP53 Tees provide branch connections for 1 1/4" through 10" pipes and are available tee short radius (S), tee standard radius and reducing branch tree.

### FEATURES

Maximum Pressure: 1 1/4" – 4" Tees 400 PSI, 6"-10" Tees 300 PSI

### APPROVALS AND APPLICABLE STANDARDS

UL® Listed, C-UL® Listed, FM® Approved

SIZE	INLET X OUTLET CONNECTIONS / OPTIONS	LEAD-FREE EXEMPT PART NUMBER
<b>FP53 - TEE - STANDARD RADIUS</b>		
1-1/4"	Grooved Tee	114-FP53
1-1/2"	Grooved Tee	112-FP53
2"	Grooved Tee	2-FP53
2-1/2"	Grooved Tee	212-FP53
3"	Grooved Tee	3-FP53
4"	Grooved Tee	4-FP53
6"	Grooved Tee	6-FP53
8"	Grooved Tee	8-FP53
10"	Grooved Tee	10-FP53
<b>FP53S - TEE - SHORT RADIUS</b>		
1-1/4"	Grooved Tee, short radius	114-FP53S
1-1/2"	Grooved Tee, short radius	112-FP53S
2"	Grooved Tee, short radius	2-FP53S
2-1/2"	Grooved Tee, short radius	212-FP53S
3"	Grooved Tee, short radius	3-FP53S
4"	Grooved Tee, short radius	4-FP53S
6"	Grooved Tee, short radius	6-FP53S
8"	Grooved Tee, short radius	8-FP53S
<b>FP53 - REDUCING BRANCH TEE</b>		
2-1/2" by 2"	Grooved Reducing Branch Tee	212X2-FP53
3" by 2"	Grooved Reducing Branch Tee	3X2-FP53
3" by 2-1/2"	Grooved Reducing Branch Tee	3X212-FP53
4" by 2"	Grooved Reducing Branch Tee	4X2-FP53
4" by 2-1/2"	Grooved Reducing Branch Tee	4X212-FP53
4" by 3"	Grooved Reducing Branch Tee	4X3-FP53
6" by 2"	Grooved Reducing Branch Tee	6X2-FP53
6" by 2-1/2"	Grooved Reducing Branch Tee	6X212-FP53
6" by 3"	Grooved Reducing Branch Tee	6X3-FP53
6" by 4"	Grooved Reducing Branch Tee	6X4-FP53
8" by 4"	Grooved Reducing Branch Tee	8X4-FP53
8" by 6"	Grooved Reducing Branch Tee	8X6-FP53

## FP56 SERIES - CROSSES



### APPLICATIONS

The Zurn Model FP56 Crosses are standard grooved fittings to connect runs of pipe in crossing directions.

### FEATURES

- Sizes: 2", 2-1/2", 3", 4", 6", 8"
- Maximum Pressure: 2"-4" 400 PSI, 6"-8" 300 PSI

### APPROVALS AND APPLICABLE STANDARDS

UL® Listed, C-UL® Listed, FM® Approved

SIZE	INLET X OUTLET CONNECTIONS / OPTIONS	LEAD-FREE EXEMPT PART NUMBER
<b>FP56 - CROSSES</b>		
2"	Grooved Cross	2-FP56
2-1/2"	Grooved Cross	212-FP56
3"	Grooved Cross	3-FP56
4"	Grooved Cross	4-FP56
6"	Grooved Cross	6-FP56
8"	Grooved Cross	8-FP56

## FP3 SERIES - CAPS



### APPLICATIONS

The Zurn FP3 Caps are standard grooved pipe ends.

### FEATURES

Maximum Pressure: 1 1/4" – 4" 400 PSI, 6"-8" 300 PSI

### APPROVALS AND APPLICABLE STANDARDS

UL® Listed, C-UL® Listed, FM® Approved

SIZE	INLET X OUTLET CONNECTIONS / OPTIONS	LEAD-FREE EXEMPT PART NUMBER
<b>FP3 - CAPS</b>		
1-1/4"	Grooved Cap	114-FP3
1-1/2"	Grooved Cap	112-FP3
2"	Grooved Cap	2-FP3
2-1/2"	Grooved Cap	212-FP3
3"	Grooved Cap	3-FP3
4"	Grooved Cap	4-FP3
6"	Grooved Cap	6-FP3
8"	Grooved Cap	8-FP3



# FP63 SERIES - MECHANICAL TEES - GROOVED (G), THREADED (TF), U-BOLT (LTF)



## APPLICATIONS

The Zurn Model FP63 mechanical tees provide a fast, convenient mid-pipe branch connections without welding. These parts are ideal for adding sprinkler to runs of pipe. A hole-locator collar secures the branch position; an EPDM gasket, molded to suit the pipe size seals the connection leak tight.

## FEATURES

Maximum Pressure: 300 PSI

## OPTIONS

- LTF - U-Bolted, Threaded female NPT outlet
- TF - Threaded female NPT outlet
- G - Grooved

## APPROVALS AND APPLICABLE STANDARDS

UL® Listed, C-UL® Listed, FM® Approved

SIZE	INLET X OUTLET CONNECTIONS / OPTIONS	LEAD-FREE EXEMPT PART NUMBER
<b>FP63G - GROOVED MECHANICAL TEES</b>		
2" by 1-1/4"	Mechanical Tee, grooved outlet	2X114-FP63G
2-1/2" by 1-1/4"	Mechanical Tee, grooved outlet	212X114-FP63G
2-1/2" by 1-1/2"	Mechanical Tee, grooved outlet	212X112-FP63G
3" by 1-1/4"	Mechanical Tee, grooved outlet	3X114-FP63G
3" by 1-1/2"	Mechanical Tee, grooved outlet	3X112-FP63G
3" by 2"	Mechanical Tee, grooved outlet	3X2-FP63G
4" by 1-1/4"	Mechanical Tee, grooved outlet	4X114-FP63G
4" by 1-1/2"	Mechanical Tee, grooved outlet	4X112-FP63G
4" by 2"	Mechanical Tee, grooved outlet	4X2-FP63G
4" by 2-1/2"	Mechanical Tee, grooved outlet	4X212-FP63G
4" by 3"	Mechanical Tee, grooved outlet	4X3-FP63G
6" by 1-1/4"	Mechanical Tee, grooved outlet	6X114-FP63G
6" by 1-1/2"	Mechanical Tee, grooved outlet	6X112-FP63G
6" by 2"	Mechanical Tee, grooved outlet	6X2-FP63G
6" by 2-1/2"	Mechanical Tee, grooved outlet	6X212-FP63G
6" by 3"	Mechanical Tee, grooved outlet	6X3-FP63G
6" by 4"	Mechanical Tee, grooved outlet	6X4-FP63G
8" by 2"	Mechanical Tee, grooved outlet	8X2-FP63G
8" by 2-1/2"	Mechanical Tee, grooved outlet	8X212-FP63G
8" by 3"	Mechanical Tee, grooved outlet	8X3-FP63G
8" by 4"	Mechanical Tee, grooved outlet	8X4-FP63G
<b>FP63TF - THREADED MECHANICAL TEES</b>		
2" by 1"	Mechanical Tee, female NPT outlet	2X1-FP63TF
2" by 1-1/4"	Mechanical Tee, female NPT outlet	2X114-FP63TF
2" by 1-1/2"	Mechanical Tee, female NPT outlet	2X112-FP63TF
2-1/2" by 1"	Mechanical Tee, female NPT outlet	212X1-FP63TF
2-1/2" by 1-1/4"	Mechanical Tee, female NPT outlet	212X114-FP63TF
2-1/2" by 1-1/2"	Mechanical Tee, female NPT outlet	212X112-FP63TF
3" by 1"	Mechanical Tee, female NPT outlet	3X1-FP63TF
3" by 1-1/4"	Mechanical Tee, female NPT outlet	3X114-FP63TF
3" by 1-1/2"	Mechanical Tee, female NPT outlet	3X112-FP63TF
3" by 2"	Mechanical Tee, female NPT outlet	3X2-FP63TF
4" by 1"	Mechanical Tee, female NPT outlet	4X1-FP63TF
4" by 1-1/4"	Mechanical Tee, female NPT outlet	4X114-FP63TF
4" by 1-1/2"	Mechanical Tee, female NPT outlet	4X112-FP63TF
4" by 2"	Mechanical Tee, female NPT outlet	4X2-FP63TF
4" by 2-1/2"	Mechanical Tee, female NPT outlet	4X212-FP63TF
4" by 3"	Mechanical Tee, female NPT outlet	4X3-FP63TF
6" by 1-1/4"	Mechanical Tee, female NPT outlet	6X114-FP63TF
6" by 1-1/2"	Mechanical Tee, female NPT outlet	6X112-FP63TF
6" by 2"	Mechanical Tee, female NPT outlet	6X2-FP63TF
6" by 2-1/2"	Mechanical Tee, female NPT outlet	6X212-FP63TF
6" by 3"	Mechanical Tee, female NPT outlet	6X3-FP63TF
8" by 2"	Mechanical Tee, female NPT outlet	8X2-FP63TF
8" by 2-1/2"	Mechanical Tee, female NPT outlet	8X212-FP63TF
<b>FP63LTF - U-BOLT MECHANICAL TEES</b>		
1-1/4" by 1/2"	Mechanical Tee, U-bolt clamp, female NPT outlet	114X12-FP63LTF
1-1/4" by 3/4"	Mechanical Tee, U-bolt clamp, female NPT outlet	114X34-FP63LTF
1-1/4" by 1"	Mechanical Tee, U-bolt clamp, female NPT outlet	114X1-FP63LTF
1-1/2" by 1/2"	Mechanical Tee, U-bolt clamp, female NPT outlet	112X12-FP63LTF
1-1/2" by 3/4"	Mechanical Tee, U-bolt clamp, female NPT outlet	112X34-FP63LTF
1-1/2" by 1"	Mechanical Tee, U-bolt clamp, female NPT outlet	112X1-FP63LTF
2" by 1/2"	Mechanical Tee, U-bolt clamp, female NPT outlet	2X12-FP63LTF
2" by 3/4"	Mechanical Tee, U-bolt clamp, female NPT outlet	2X34-FP63LTF
2" by 1"	Mechanical Tee, U-bolt clamp, female NPT outlet	2X1-FP63LTF
2-1/2" by 1/2"	Mechanical Tee, U-bolt clamp, female NPT outlet	212X12-FP63LTF
2-1/2" by 3/4"	Mechanical Tee, U-bolt clamp, female NPT outlet	212X34-FP63LTF
2-1/2" by 1"	Mechanical Tee, U-bolt clamp, female NPT outlet	212X1-FP63LTF

## FP8 SERIES - GROOVED FLANGES



### APPLICATIONS

The Zurn FP8 Grooved Flanges are standard converters for connecting flanges to grooved or threaded pipes.

### FEATURES

- Sizes: 2", 2-1/2", 3", 4", 6", 8", 10"
- Maximum Pressure: 300 PSI

### APPROVALS AND APPLICABLE STANDARDS

UL® Listed, C-UL® Listed, FM® Approved

SIZE	INLET X OUTLET CONNECTIONS / OPTIONS	LEAD-FREE EXEMPT PART NUMBER
<b>FP8 - GROOVED FLANGES</b>		
2"	Grooved split ring flange adapter	2-FP8
2-1/2"	Grooved split ring flange adapter	212-FP8
3"	Grooved split ring flange adapter	3-FP8
4"	Grooved split ring flange adapter	4-FP8
6"	Grooved split ring flange adapter	6-FP8
8"	Grooved split ring flange adapter	8-FP8
10"	Grooved split ring flange adapter	10-FP8

## FP51 SERIES - GROOVED REDUCERS



### APPLICATIONS

The Zurn FP51 Grooved Reducers connect pipes of different sizes.

### FEATURES

- Maximum Pressure: 2X - 4X 400 PSI, 6X - 10X 300 PSI
- Concentric grooved-grooved, grooved-male, and grooved-female options are available.
- Grooved-grooved reducers are also available for eccentric pipe alignment.

### APPROVALS AND APPLICABLE STANDARDS

UL® Listed, C-UL® Listed, FM® Approved

SIZE	INLET X OUTLET CONNECTIONS / OPTIONS	LEAD-FREE EXEMPT PART NUMBER
<b>FP51 - GROOVED REDUCERS</b>		
2-1/2" by 1"	Grooved x Grooved Concentric Reducer	2X1-FP51
2-1/2" by 1-1/4"	Grooved x Grooved Concentric Reducer	2X114-FP51
2-1/2" by 1-1/2"	Grooved x Grooved Concentric Reducer	2X112-FP51
2-1/2" by 1-1/2"	Grooved x Grooved Concentric Reducer	212X112-FP51
2-1/2" by 2"	Grooved x Grooved Concentric Reducer	212X2-FP51
3" by 2"	Grooved x Grooved Concentric Reducer	3X2-FP51
3" by 2-1/2"	Grooved x Grooved Concentric Reducer	3X212-FP51
4" by 2"	Grooved x Grooved Concentric Reducer	4X2-FP51
4" by 2-1/2"	Grooved x Grooved Concentric Reducer	4X212-FP51
4" by 2"	Grooved x Grooved Concentric Reducer	4X3-FP51
4" by 3"	Grooved x Grooved Concentric Reducer	6X2-FP51
6" by 2"	Grooved x Grooved Concentric Reducer	6X3-FP51
6" by 3"	Grooved x Grooved Concentric Reducer	6X4-FP51
6" by 4"	Grooved x Grooved Concentric Reducer	8X3-FP51
8" by 3"	Grooved x Grooved Concentric Reducer	8X4-FP51
8" by 4"	Grooved x Grooved Concentric Reducer	8X6-FP51
10" by 6"	Grooved x Grooved Concentric Reducer	10X6-FP51
10" by 8"	Grooved x Grooved Concentric Reducer	10X8-FP51

# NOTES

BACKFLOW  
PREVENTERS

BACKFLOW PREVENTERS  
ACCESSORIES

STRAINERS

AUTOMATIC  
CONTROL VALVES

PRESSURE  
REDUCING VALVES

FIRE  
PROTECTION VALVES

THERMOSTATIC  
MIXING VALVES

RELIEF VALVES

MISCELLANEOUS  
PLUMBING PRODUCTS

REPAIR KITS

# THERMOSTATIC MIXING VALVES

Zurn Wilkins thermostatic mixing valves protect users from scalding injuries while maintaining efficient temperatures to inhibit the growth of bacteria.

<b>ZW1017XL</b> – AQUA-GARD® THERMOSTATIC MIXING VALVE (ASSE 1017 POINT OF SOURCE)	<b>108</b>
<b>ZW1017XLHT</b> – AQUA-GARD® THERMOSTATIC MIXING VALVE (ASSE 1017 POINT OF SOURCE)	<b>109</b>
<b>ZW1070XL</b> – AQUA-GARD® THERMOSTATIC MIXING VALVE (ASSE 1070 POINT OF USE)	<b>110</b>
<b>ZW3870XL</b> – THERMOSTATIC MIXING VALVE (ASSE 1070 POINT OF USE)	<b>111</b>
<b>THERMOSTATIC MIXING VALVES ACCESSORIES</b>	<b>112</b>
<b>TPKXL SERIES</b> – TAILPIECE KITS	<b>112</b>

## ZW1017XL – AQUA-GARD® THERMOSTATIC MIXING VALVE (ASSE 1017 POINT OF SOURCE)



### APPLICATIONS

Designed to be used at the hot water source (residential and most light commercial installations) to mix hot and cold water in the distribution system.

### FEATURES

- 3/8" - 1"
- Flow Capacity - 18 GPM @ 45 psi pressure loss
- Outlet temperature range of 95° - 131°F
- Integral check valves and stainless steel strainers (no strainer in 38-ZW1017XLCOMP)
- Multiple tailpiece options provide installation flexibility

### APPROVALS AND APPLICABLE STANDARDS

- Certified to ASSE Standard 1017, CSA® Certified, cUPC® Listed
- Certified to NSF/ANSI 61 and 372

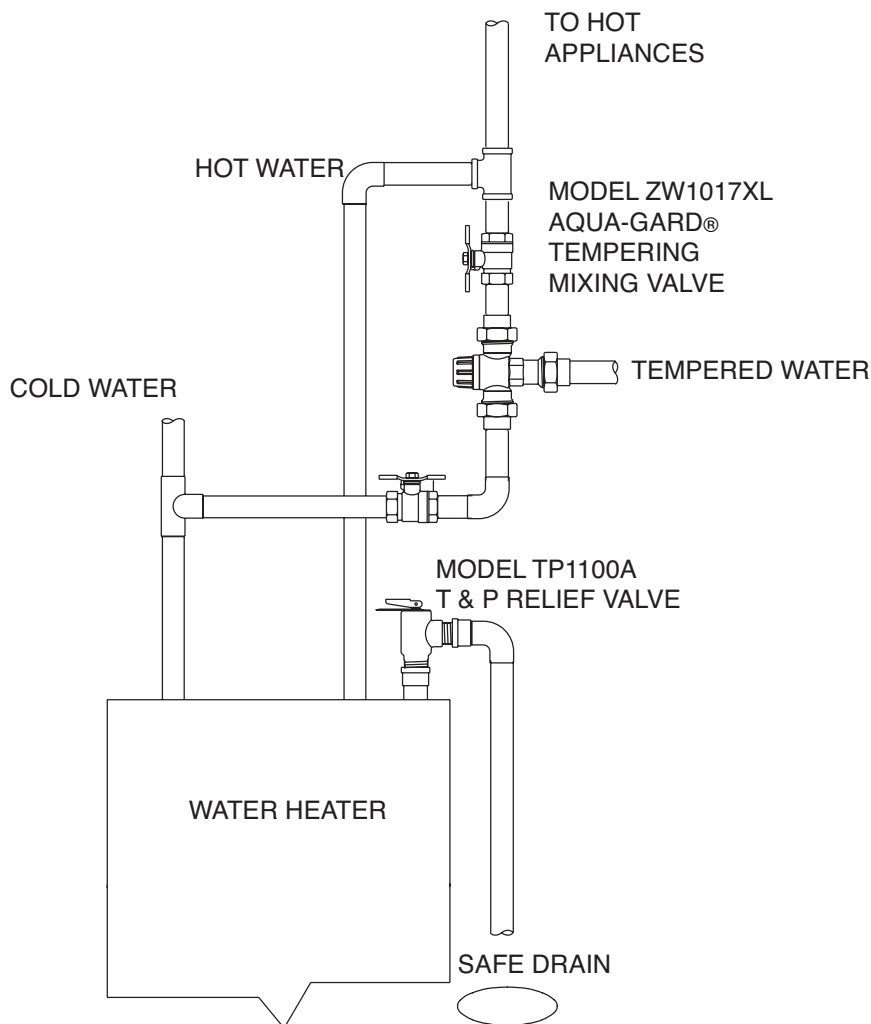
### TYPICAL INSTALLATION

WARNING: This device should never be installed at the point of use where the end user could change its setting. Point of use device must be of the ASSE 1070 variety. It is recommended that the ZW1017XL be installed with a shut-off valve and thermometer in the tempered water line to provide accurate and safe water mixing temperatures, to be used in conjunction with an ASSE 1070 device.

Systems distribution application. Not to be used at point of use.

SIZE	INLET X OUTLET CONNECTIONS / OPTIONS	LEAD-FREE PART NUMBER
<b>ZW1017XL-LU: LESS UNIONS AND TAILPIECES, ASSE 1017</b>		
	ZW1017XL valve less unions	ZW1017XL-LU
<b>ZW1017XL: SUPPLIED WITH THREE FNPT TAILPIECES AND UNION NUTS</b>		
1/2"	1/2" FNPT, ASSE 1017	12-ZW1017XL
3/4"	3/4" FNPT, ASSE 1017	34-ZW1017XL
3/4"	3/4" FNPT, ASSE 1017, Less Internal Screens	34-ZW1017XL-LS
<b>ZW1017XL: SUPPLIED WITH THREE MNPT TAILPIECES AND UNION NUTS</b>		
3/4"	3/4" MNPT, ASSE 1017	34-ZW1017XLM
<b>ZW1017XLC: SUPPLIED WITH THREE FEMALE COPPER SWEAT TAILPIECES AND UNION NUTS</b>		
1/2"	1/2" Female CU SWT, ASSE 1017	12-ZW1017XLC
3/4"	3/4" Female CU SWT, ASSE 1017	34-ZW1017XLC
1"	1" Female CU SWT, ASSE 1017	1-ZW1017XLC
<b>ZW1017XLCPVC: SUPPLIED WITH THREE FEMALE CPVC TAILPIECES AND UNION NUTS</b>		
1/2"	1/2" CPVC, ASSE 1017	12-ZW1017XLCPVC
3/4"	3/4" CPVC, ASSE 1017	34-ZW1017XLCPVC
<b>ZW1017XLPEX: SUPPLIED WITH THREE MALE PEX TAILPIECES AND UNION NUTS</b>		
1/2"	1/2" PEX, ASSE 1017	12-ZW1017XLPEX
3/4"	3/4" PEX, ASSE 1017	34-ZW1017XLPEX
<b>ZW1017XLCOMP: SUPPLIED WITH THREE 3/8" COMPRESSION TAILPIECES AND UNION NUTS</b>		
3/8"	3/8" Compression, ASSE 1017	38-ZW1017XLCOMP

### TYPICAL INSTALLATION



## ZW1017XLHT – AQUA-GARD® THERMOSTATIC MIXING VALVE (ASSE 1017 POINT OF SOURCE)



### APPLICATIONS

Designed to be used at the hot water source with higher temperature applications (hydronic/radiant heating) to mix hot and cold water in the distribution system.

### FEATURES

- 3/8" - 1"
- Flow capacity - 18 GPM @ 45 psi pressure loss
- Outlet temperature range of 80° - 165°F
- Integral check valves and stainless steel strainers (no strainer in 38-ZW1017XLHTCOMP)
- Multiple tailpiece options provide installation flexibility

### APPROVALS AND APPLICABLE APPLICATIONS

- Certified to ASSE standard 1017, cUPC® Listed
- Certified to NSF/ANSI 61 and 372

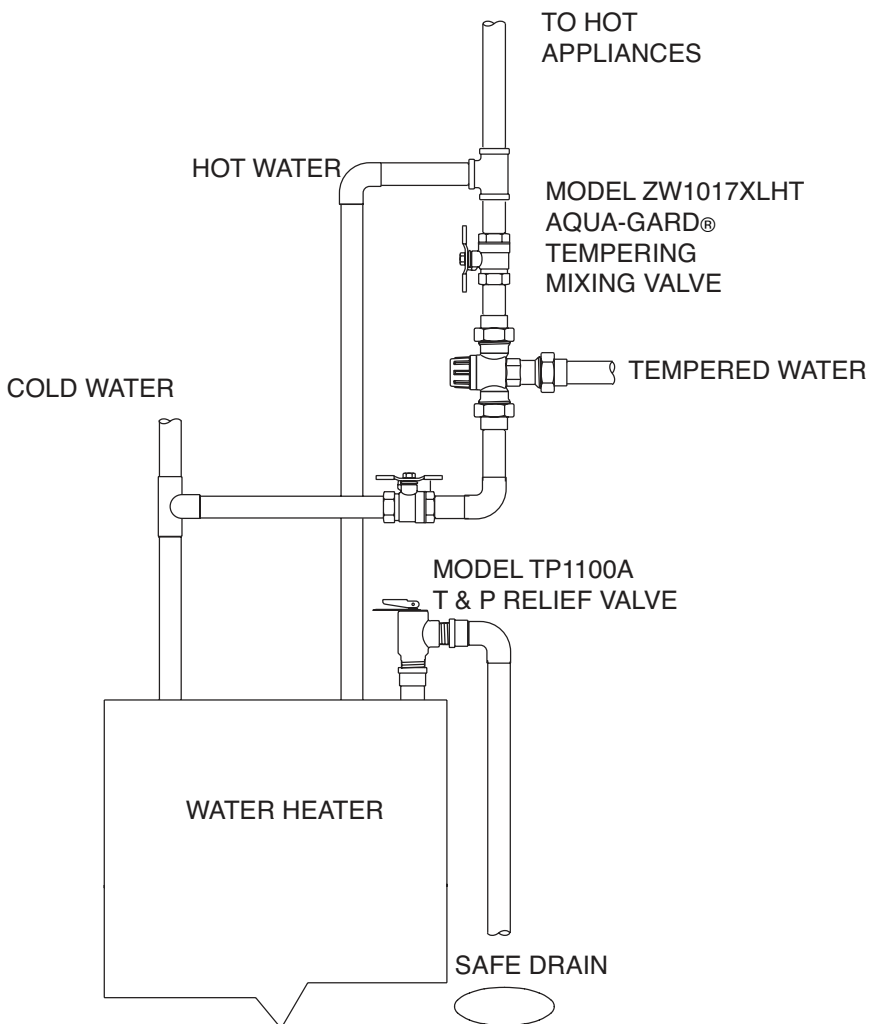
### TYPICAL INSTALLATION

**WARNING:** This device should never be installed at the point of use where the end user could change its setting. It is recommended that the ZW1017XLHT be installed with shut-off valve and thermometer in the tempered water line to provide accurate and safe water mixing temperature.

Radiant heat systems distribution application. Not to be used at point of use

SIZE	INLET X OUTLET CONNECTIONS / OPTIONS	LEAD-FREE PART NUMBER
<b>ZW1017XLHT-LU: LESS UNIONS AND TAILPIECES, ASSE 1017</b>		
	ZW1017XLHT valve less unions	ZW1017XLHT-LU
<b>ZW1017XLHT: SUPPLIED WITH THREE FNPT TAILPIECES AND UNION NUTS</b>		
1/2"	1/2" FNPT, ASSE 1017	12-ZW1017XLHT
3/4"	3/4" FNPT, ASSE 1017	34-ZW1017XLHT
<b>ZW1017XLHTM: SUPPLIED WITH THREE MNPT TAILPIECES AND UNION NUTS</b>		
3/4"	3/4" MNPT, ASSE 1017	34-ZW1017XLHTM
<b>ZW1017XLHTC: SUPPLIED WITH THREE FEMALE COPPER SWEAT TAILPIECES AND UNION NUTS</b>		
1/2"	1/2" Female CU SWT, ASSE 1017	12-ZW1017XLHTC
3/4"	3/4" Female CU SWT, ASSE 1017	34-ZW1017XLHTC
1"	1" Female CU SWT, ASSE 1017	1-ZW1017XLHTC
<b>ZW1017XLHTCPVC: SUPPLIED WITH THREE FEMALE CPVC TAILPIECES AND UNION NUTS</b>		
1/2"	1/2" CPVC, ASSE 1017	12-ZW1017XLHTCPVC
3/4"	3/4" CPVC, ASSE 1017	34-ZW1017XLHTCPVC
<b>ZW1017XLHTPEX: SUPPLIED WITH THREE MALE PEX TAILPIECES AND UNION NUTS</b>		
1/2"	1/2" PEX, ASSE 1017	12-ZW1017XLHTPEX
3/4"	3/4" PEX, ASSE 1017	34-ZW1017XLHTPEX
<b>ZW1017XLHTCOMP: SUPPLIED WITH THREE 3/8" COMPRESSION TAILPIECES AND UNION NUTS</b>		
3/8"	3/8" Compression, ASSE 1017	38-ZW1017XLHTCOMP

### TYPICAL INSTALLATION



## ZW1070XL – AQUA-GARD® THERMOSTATIC MIXING VALVE (ASSE 1070 POINT OF USE)



SIZE	INLET X OUTLET CONNECTIONS / OPTIONS	LEAD-FREE PART NUMBER
<b>ZW1070XL-LU: LESS UNIONS AND TAILPIECES, ASSE 1070</b>		
	ZW1070XL valve less unions	ZW1070XL-LU
<b>ZW1070XL: SUPPLIED WITH THREE FNPT TAILPIECES AND UNION NUTS</b>		
1/2"	1/2" FNPT, ASSE 1070	12-ZW1070XL
3/4"	3/4" FNPT, ASSE 1070	34-ZW1070XL
<b>ZW1070XLM: SUPPLIED WITH THREE MNPT TAILPIECES AND UNION NUTS</b>		
3/4"	3/4" MNPT, ASSE 1070	34-ZW1070XLM
<b>ZW1070XLC: SUPPLIED WITH THREE FEMALE COPPER SWEAT TAILPIECES AND UNION NUTS</b>		
1/2"	1/2" Female CU SWT, ASSE 1070	12-ZW1070XLC
3/4"	3/4" Female CU SWT, ASSE 1070	34-ZW1070XLC
1"	1" Female CU SWT, ASSE 1070	1-ZW1070XLC
<b>ZW1070XLCPVC: SUPPLIED WITH THREE FEMALE CPVC TAILPIECES AND UNION NUTS</b>		
1/2"	1/2" CPVC, ASSE 1070	12-ZW1070XLCPVC
3/4"	3/4" CPVC, ASSE 1070	34-ZW1070XLCPVC
<b>ZW1070XLPEX: SUPPLIED WITH THREE MALE PEX TAILPIECES AND UNION NUTS</b>		
1/2"	1/2" PEX, ASSE 1070	12-ZW1070XLPEX
3/4"	3/4" PEX, ASSE 1070	34-ZW1070XLPEX
<b>ZW1070XLCOMP: SUPPLIED WITH THREE COMPRESSION TAILPIECES AND UNION NUTS</b>		
3/8"	3/8" Compression, ASSE 1070	38-ZW1070XLCOMP

### APPLICATIONS

Designed to be installed at the point of use (residential and most light commercial installations) to mix hot and cold water from the distribution system to a final safer temperature.

### FEATURES

- 3/8" - 1"
- Flow capacity - 10 GPM @ 45 psi pressure loss
- Final safe temperature range of 95° - 115°F
- Set temp accuracy ±3°F
- Minimum Flow Rate: 0.35 GPM
- Integral check valves and stainless steel strainers (no strainer in 38-ZW1070XLCOMP)
- Rough chrome plated
- Multiple tailpiece options provide installation flexibility

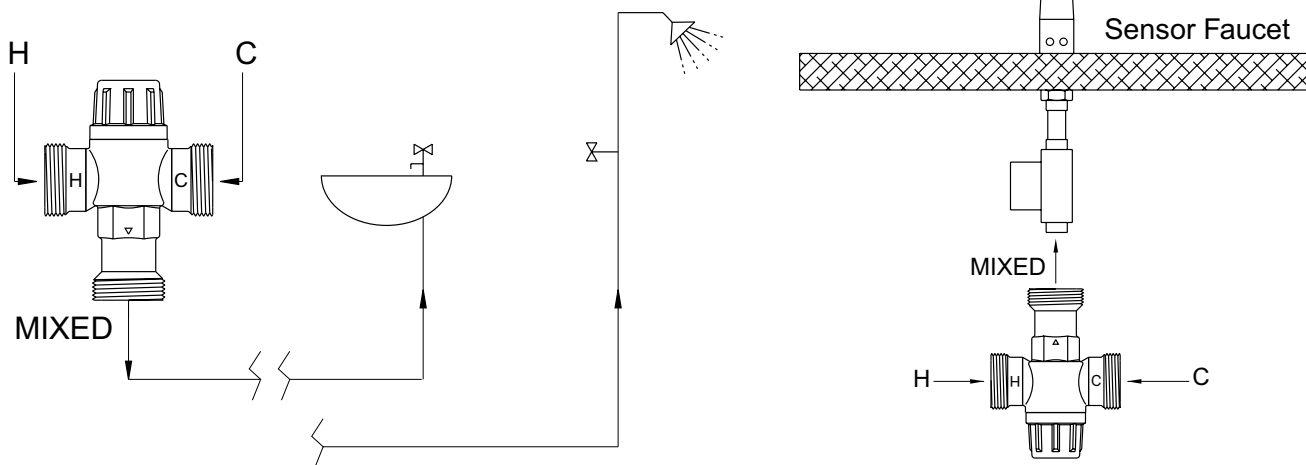
### APPROVALS AND APPLICABLE APPLICATIONS

- ASSE® Listed 1070, CSA® Certified, cUPC® Listed
- Certified to NSF/ANSI 61 and 372

### TYPICAL INSTALLATION

The device is designed to be installed at a single outlet. It may be used to supply multiple individual outlets when there is sufficient supply pressure. It is suggested to use ball valves on the hot and cold inlet supplies.

### TYPICAL INSTALLATION



## ZW3870XL – THERMOSTATIC MIXING VALVE (ASSE 1070 POINT OF USE)



SIZE	INLET X OUTLET CONNECTIONS / OPTIONS	LEAD-FREE PART NUMBER
<b>ZW3870XLT</b>		
3/8"	3/8" Compression, ASSE 1070, 3 Port	38-ZW3870XLT
3/8"	3/8" Compression, ASSE 1070, 4 Port	38-ZW3870XLT-4P
<b>ZW3870XLTF</b>		
3/8"	3/8" Compression, flush mode, ASSE 1070, 3 Port	ZW3870XLTF
3/8"	3/8" Compression, flush mode, ASSE 1070, 4 Port	ZW3870XLTF-4P

### APPLICATIONS

Designed to be installed with 3/8" point of use applications (residential and light commercial installations) to mix hot and cold water from the distribution system to a final safer temperature.

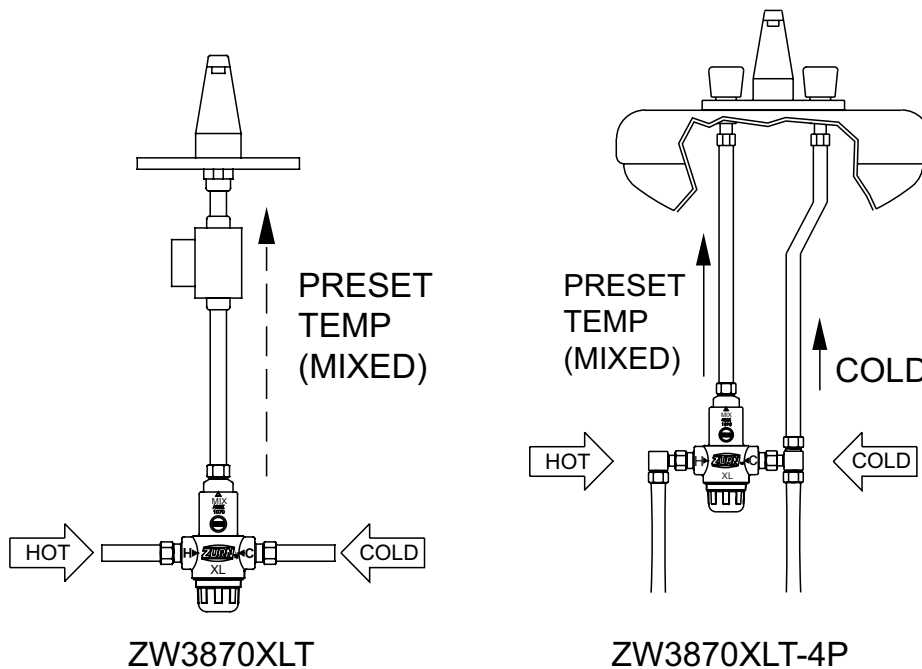
### FEATURES

- 3/8" Compression
- Flow rate - 3.10 GPM @ 45 psi pressure loss
- Outlet temperature range: 95 – 115°F (35 – 46°C)
- Set temperature accuracy: ±3°F (1.78°C)
- Minimum flow rate: 0.25 GPM
- -4P option allows cold water bypass for dual handle sinks
- Integral check valves
- Includes wall clamp
- Optional flush mode allows for untempered hot water flush

### APPROVALS AND APPLICABLE STANDARDS

- Certified to ASSE 1070, CSA® Certified, cUPC® Listed
- Certified to NSF/ANSI 61 and 372

### TYPICAL INSTALLATION





# THERMOSTATIC MIXING VALVES ACCESSORIES

## TPKXL SERIES – TAILPIECE KITS



### APPLICATIONS

Designed for connection in different types of plumbing systems, to install pressure reducing valves (regulators) and thermostatic mixing valves. Available in a variety of sizes and end connections.

### FEATURES

- 3/8" - 1"
- Configurations include male NPT, female NPT, female copper sweat, male copper sweat, PEX barb, CPVC, compression, Z-Bite™ push type, Z-Press™ press type, and extended retrofit options
- Cast brass union nut
- EPDM gasket

### ACCESSORIES

- TMV-3 – CBNP Wall Access Cover

SIZE	INLET X OUTLET CONNECTIONS / OPTIONS	LEAD-FREE PART NUMBER
<b>TPKXL: NPT CONNECTIONS</b>		
1/2" x 3/4"	1/2" Female NPT x 3/4" Union	12X34-TPKXL
3/4"	Female NPT Union	34-TPKXL
3/4"	Male NPT Union	34-TPKXLM
<b>TPKXLS: NPT CONNECTIONS WITH STAINLESS STEEL STRAINER</b>		
1/2" x 3/4"	1/2" Female NPT x 3/4" Union, SS Strainer	12X34-TPKXLS
3/4"	Female NPT Union, SS Strainer	34-TPKXLS
3/4"	Male NPT Union, SS Strainer	34-TPKXLSM
<b>TPKXLC: COPPER SWEAT CONNECTIONS</b>		
1/2" x 3/4"	1/2" Female CU SWT x 3/4" Union	12X34-TPKXLC
3/4"	Female CU SWT Union	34-TPKXLC
1" x 3/4"	1" Female CU SWT x 3/4" Union	1X34-TPKXLC
<b>TPKXLCS: COPPER SWEAT CONNECTIONS WITH STAINLESS STEEL STRAINER</b>		
1/2" x 3/4"	1/2" Female CU SWT x 3/4" Union, SS Strainer	12X34-TPKXLCS
3/4"	Female CU SWT Union, SS Strainer	34-TPKXLCS
1" x 3/4"	1" Female CU SWT x 3/4" Union, SS Strainer	1X34-TPKXLCS
<b>TPKCPVC: CPVC CONNECTIONS</b>		
1/2" x 3/4"	1/2" CPVC, 3/4" Union	12X34-TPKCPVC
3/4"	CPVC Union	34-TPKCPVC
<b>TPKCPVCS: CPVC CONNECTIONS WITH STAINLESS STEEL STRAINER</b>		
1/2" x 3/4"	1/2" CPVC x 3/4" Union, SS Strainer	12X34-TPKCPVCS
3/4"	CPVC Union, SS Strainer	34-TPKCPVCS
<b>TPKXLPEX: PEX UNION TAILPIECE KIT</b>		
1/2" x 3/4"	1/2" PEX x 3/4" Union	12X34-TPKXLPEX
3/4"	PEX Union	34-TPKXLPEX
<b>TPKXLCOMP: COMPRESSION UNION TAILPIECE KIT</b>		
3/8" x 3/4"	3/8" Compression x 3/4" Union	38X34-TPKXLCOMP
<b>TPKXLPF: Z-BITE™ PUSH-TYPE SOLDERLESS TAILPIECE KIT</b>		
1/2" x 3/4"	1/2" Push Fitting x 3/4" Union	12X34-TPKXLPF
1/2" x 3/4"	1/2" Push Fitting x 3/4" Union, SS Screen	12X34-TPKXLPFSS
3/4"	3/4" Push Fitting x Union	34-TPKXLPF
<b>TPKXLPR: Z-PRESS™ PRESS-TYPE SOLDERLESS TAILPIECE KIT</b>		
3/4"	3/4" Press Fitting x Union	34-TPKXLPR
<b>MISC. OPTIONS</b>		
3/8"	Thermostatic Mixing Valve 3/8" Compression 4 Port Elbow Tee Kit	ZW3870XLT-4P-KIT

# RELIEF VALVES

Protecting sensitive equipment from over-pressurizing and high temperatures is accomplished with relief valves. The Zurn Wilkins pressure and temperature, and pressure relief valves are the perfect choice against excessive line pressure and high temperatures.

<b>TP1100A SERIES</b> – RESIDENTIAL TEMPERATURE AND PRESSURE VALVE	<b>114</b>
<b>TP220 SERIES</b> – COMMERCIAL TEMPERATURE AND PRESSURE VALVE	<b>114</b>
<b>TP3000 SERIES</b> – COMMERCIAL TEMPERATURE AND PRESSURE VALVE	<b>115</b>
<b>P1000AXL SERIES</b> – PRESSURE RELIEF VALVE	<b>116</b>
<b>P1500XL SERIES</b> – CALIBRATED PRESSURE RELIEF VALVE	<b>116</b>
<b>P1520XL/1550XL SERIES</b> – THERMAL EXPANSION PRESSURE RELIEF VALVE	<b>117</b>
<b>HBRV</b> – HOSE BIBB RELIEF VALVE	<b>117</b>

## TP1100A SERIES – RESIDENTIAL TEMPERATURE AND PRESSURE VALVE



### APPROVALS AND APPLICABLE STANDARDS

- CSA Compliance to ANSI Z21.22/CSA 4.4
- Certified to ASME Section IV by National Board

### ACCESSORIES

- Expansion tank (Model XT)
- Water pressure reducing valve (Model NR3XL)
- Vacuum relief valve (Model VR10XL)
- Expansion control ball valves (Model BVECL)

### TYPICAL INSTALLATION

For Installation Drawing Please See Page Number 115

### APPLICATIONS

Designed for installation on residential water heaters to protect against over-temperature or excessive pressure.

### FEATURES

- 3/4"
- Relieving pressure 150 psi, also available in 75 and 125 psi
- Relieving temperature 210°F
- Exposed probe is protected with an electrostatic epoxy coating
- Male NPT inlet, female NPT outlet

SIZE	INLET X OUTLET CONNECTIONS / OPTIONS	LEAD-FREE EXEMPT PART NUMBER
<b>TP1100A: MNPT X FNPT</b>		
3/4"	2" Probe, Set at 150	TP1100A-2C-150C
3/4"	4" Probe, Set at 75	TP1100A-4C-75C
3/4"	4" Probe, Set at 125	TP1100A-4C-125C
3/4"	4" Probe, Set at 150	TP1100A-4C-150C
3/4"	8" Probe, Set at 150	TP1100A-8C-150C
<b>TP1100AE: MNPT X FNPT, EXTENDED SHANK</b>		
3/4"	3" Probe, Set at 150	TP1100AE-3C-150C
<b>TP1100AEE: MNPT X FNPT, EXTRA EXTENDED SHANK</b>		
3/4"	3" Probe, Set at 150	TP1100AEE-3C-150C

## TP220 SERIES – COMMERCIAL TEMPERATURE AND PRESSURE VALVE



### APPROVAL AND APPLICABLE STANDARDS

- CSA Compliance to ANSI Z21.22/CSA 4.4
- Certified to ASME Section IV by National Board

### ACCESSORIES

- Expansion tank (Model WXT or XT)
- Water pressure reducing valve (Model NR3XL)
- Vacuum relief valve (Model VR10XL)
- Expansion control ball valves (Model BVECL)

### TYPICAL INSTALLATION

For Installation Drawing Please See Page Number 115

### APPLICATIONS

Designed for installation on commercial water heaters to protect against over-temperature or excessive pressure.

### FEATURES

- 3/4"
- Relieving pressure 150 psi, also available in 125 psi
- Relieving temperature 210°F
- Probe is protected with an electrostatic epoxy coating
- Available with male NPT inlet (male standard)
- Female NPT outlet

SIZE	INLET X OUTLET CONNECTIONS / OPTIONS	LEAD-FREE EXEMPT PART NUMBER
<b>TP220: MNPT X FNPT</b>		
3/4"	5" Probe, Set at 125	TP220-5C-125C
3/4"	5" Probe, Set at 150	TP220-5C-150C
3/4"	8" Probe, Set at 150	TP220-8C-150C

# TP3000 SERIES – COMMERCIAL TEMPERATURE AND PRESSURE VALVE



## APPROVALS AND APPLICABLE STANDARDS

- CSA Compliance to ANSI Z21.22/CSA 4.4
- Certified to ASME Section IV by National Board

## ACCESSORIES

- Expansion tank (Model WXTTP)
- Water pressure reducing valve (Model NR3XL)
- Vacuum relief valve (Model VR10XL)
- Expansion control ball valves (Model BVECLX)

## TYPICAL INSTALLATION

For Installation Drawing Please See Below

## APPLICATIONS

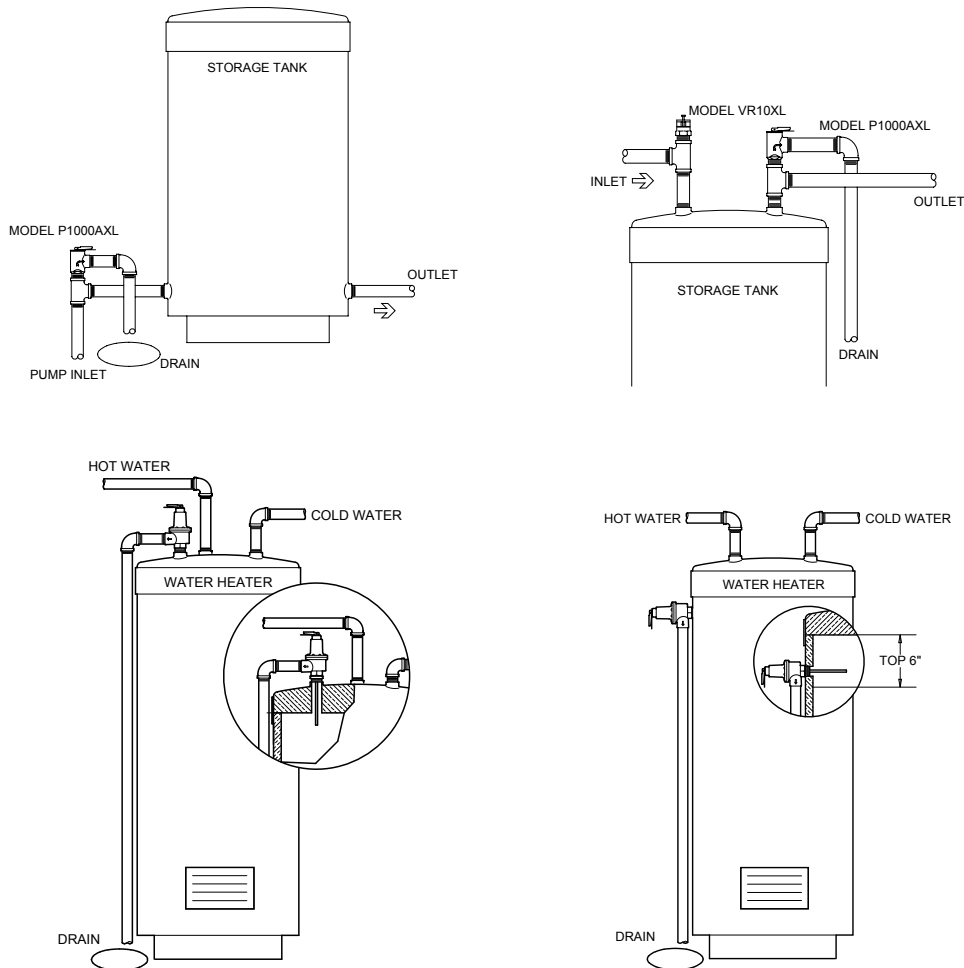
Designed for installation on commercial water heaters to protect against over-temperature or excessive pressure.

## FEATURES

- 1"
- Relieving pressure 150 psi (standard), available in 75, 100, and 125 psi
- Relieving temperature 210°F
- Probe is protected with an electrostatic epoxy coating
- Female NPT inlet and outlet

SIZE	INLET X OUTLET CONNECTIONS / OPTIONS	LEAD-FREE EXEMPT PART NUMBER
<b>TP3000: FNPT X FNPT</b>		
1"	5" Probe, Set at 75	TP3000-5C-75C
1"	5" Probe, Set at 100	TP3000-5C-100C
1"	5" Probe, Set at 125	TP3000-5C-125C
1"	5" Probe, Set at 150	TP3000-5C-150C
1"	8" Probe, Set at 125	TP3000-8C-125C
1"	8" Probe, Set at 150	TP3000-8C-150C

## TP1000A/TP220/TP3000/P1000AXL SERIES – TYPICAL INSTALLATION DRAWING



For additional product information, please visit [www.zurn.com](http://www.zurn.com).

## P1000AXL SERIES – PRESSURE RELIEF VALVE



### APPROVALS AND APPLICABLE STANDARDS

- CSA Compliance to ANSI Z21.22/CSA 4.4
- Certified to ASME Section IV by National Board

### ACCESSORIES

- Expansion tank (Model WXTX & XT)
- Water pressure reducing valve (Model NR3XL)
- Vacuum relief valve (Model VR10XL)
- Expansion control ball valves (Model BVECL)

### TYPICAL INSTALLATION

For Installation Drawing Please See Page Number 115

### APPLICATIONS

Designed for installation on potable water systems and storage tanks to protect against excessive pressure.

### FEATURES

- 3/4"
- Available in 30, 75, 125, and 150 psi settings (150 psi standard)
- Male NPT inlet, female NPT outlet

SIZE	INLET X OUTLET CONNECTIONS / OPTIONS	LEAD-FREE PART NUMBER
<b>P1000AXL: MNPT X FNPT</b>		
3/4"	Set at 30	P1000AXL-30C
3/4"	Set at 75	P1000AXL-75C
3/4"	Set at 125	P1000AXL-125C
3/4"	Set at 150	P1000AXL-150C

## P1500XL SERIES – CALIBRATED PRESSURE RELIEF VALVE



SIZE	INLET X OUTLET CONNECTIONS / OPTIONS	LEAD-FREE PART NUMBER
<b>P1500XL: CALIBRATED PRESSURE RELIEF VALVE</b>		
1/2"	MNPT 1/2" x FNPT 1/2"	12-P1500XL
3/4"	MNPT 3/4" x FNPT 1/2"	34-P1500XL

### TYPICAL INSTALLATION

### APPLICATIONS

Designed for installation on cold water service lines as a means of protection against excessive pressure buildup. These devices are for pressure only and should be used in conjunction with other temperature limiting devices. Also suitable for static relief, low capacity pump relief, passive solar, thermal expansion relief and other similar uses in commercial and industrial applications.

### FEATURES

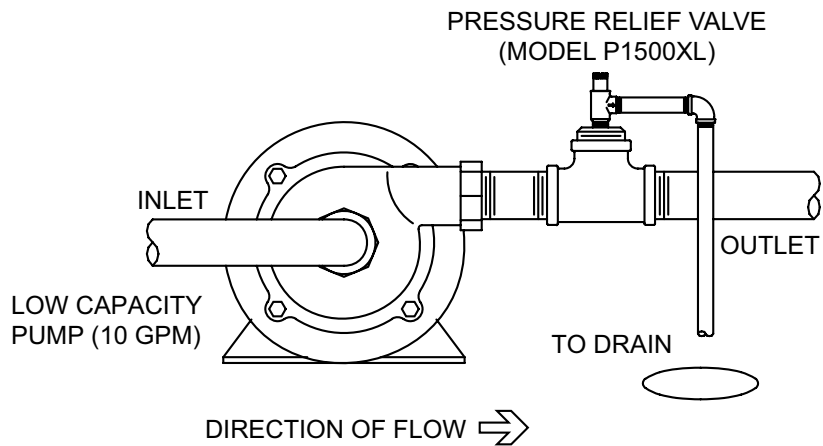
- 1/2", 3/4"
- Calibrated adjustments from 25 to 175 psi
- All bronze body
- Scale permanently etched on stem
- Male NPT inlet, female NPT outlet

### APPROVALS AND APPLICABLE STANDARDS

- Certified to NSF/ANSI 372

### ACCESSORIES

- Water Pressure Reducing Valve (Model NR3XL)
- Vacuum Relief Valve (Model VR10XL)



## P1520XL/1550XL SERIES – THERMAL EXPANSION PRESSURE RELIEF VALVE



### APPLICATIONS

Designed for installation on cold water service lines as a means of protection against excessive pressure buildup. These devices are for pressure only and should be used in conjunction with other temperature limiting devices. Also suitable for static relief, low capacity pump relief, passive solar, thermal expansion relief and other similar uses in commercial and industrial applications.

### FEATURES

- 1/2", 3/4"
- For pressure relief only
- Pressure settings 50, 75, 100, or 125 psi
- Male NPT inlet, female NPT outlet

### APPROVALS AND APPLICABLE STANDARDS

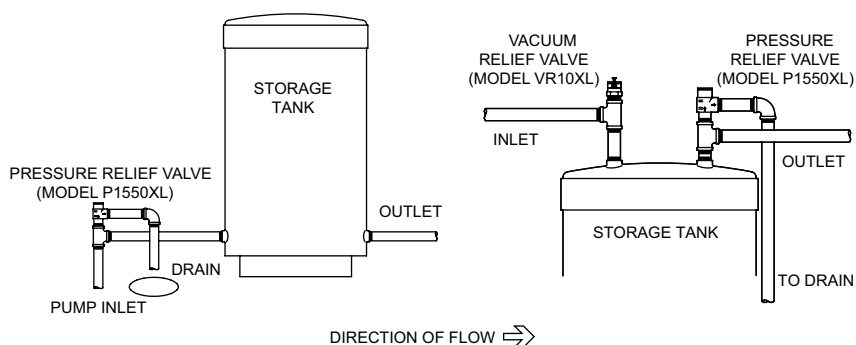
- Certified to NSF/ANSI 372

### ACCESSORIES

- Water pressure reducing valve (Model NR3XL)
- Vacuum relief valve (Model VR10XL)

SIZE	INLET X OUTLET CONNECTIONS / OPTIONS	LEAD-FREE PART NUMBER
<b>P1520XL: THERMAL EXPANSION PRESSURE RELIEF VALVE</b>		
1/2"	MNPT 1/2" x FNPT 1/2", set at 50	12-P1520XL-50
1/2"	MNPT 1/2" x FNPT 1/2", set at 75	12-P1520XL-75
1/2"	MNPT 1/2" x FNPT 1/2", set at 100	12-P1520XL-100
1/2"	MNPT 1/2" x FNPT 1/2", set at 125	12-P1520XL-125
3/4"	MNPT 3/4" x FNPT 3/4", set at 50	34-P1520XL-50
3/4"	MNPT 3/4" x FNPT 3/4", set at 75	34-P1520XL-75
3/4"	MNPT 3/4" x FNPT 3/4", set at 100	34-P1520XL-100
3/4"	MNPT 3/4" x FNPT 3/4", set at 125	34-P1520XL-125
<b>P1550XL: THERMAL EXPANSION PRESSURE RELIEF VALVE</b>		
1/2"	MNPT 1/2" x FNPT 1/2", Set at 75	12-P1550XL-75
1/2"	MNPT 1/2" x FNPT 1/2", Set at 125	12-P1550XL-125
3/4"	MNPT 3/4" x FNPT 1/2", Set at 75	34-P1550XL-75
3/4"	MNPT 3/4" x FNPT 1/2", Set at 125	34-P1550XL-125

### TYPICAL INSTALLATION



## HBRV – HOSE BIBB RELIEF VALVE



### APPLICATIONS

Designed for installation on washing machine fill valve to provide protection from thermal expansion. The HBRV is to be threaded on the cold water washing machine fill valve using an adapter (not provided). The washing machine fill hose is then attached to the HBRV. The device is for pressure relief only and should be used in conjunction with other temperature limiting devices.

### FEATURES

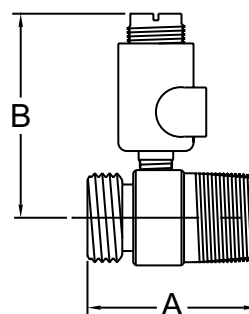
- 3/4"

### ACCESSORIES

- Water hammer arrestor (Model 1250XL)
- Water pressure reducing valve (Model NR3XL)
- Temperature and pressure relief valve (Model TP1100A)

SIZE	INLET X OUTLET CONNECTIONS / OPTIONS	LEAD-FREE PART NUMBER
<b>HBRV: HOSE BIBB RELIEF VALVE</b>		
3/4"	Washing machine fill valve	100-HBRV

### TYPICAL INSTALLATION



BACKFLOW PREVENTERS  
BACKFLOW PREVENTERS ACCESSORIES  
STRAINERS  
AUTOMATIC CONTROL VALVES  
PRESSURE REDUCING VALVES  
FIRE PROTECTION VALVES  
THERMOSTATIC MIXING VALVES  
RELIEF VALVES  
MISCELLANEOUS PLUMBING PRODUCTS  
REPAIR KITS

# NOTES

BACKFLOW  
PREVENTERS

BACKFLOW PREVENTERS  
ACCESSORIES

STRAINERS

AUTOMATIC  
CONTROL VALVES

PRESSURE  
REDUCING VALVES

FIRE  
PROTECTION VALVES

THERMOSTATIC  
MIXING VALVES

RELIEF VALVES

MISCELLANEOUS  
PLUMBING PRODUCTS

REPAIR KITS

# MISCELLANEOUS PLUMBING PRODUCTS

Zurn Wilkins offers a variety of plumbing accessories, such as thermal expansion tanks and water hammer arresters to ensure a complete plumbing system solution.

<b>ZCSM-RP</b> – CONNECTED REMOTE PRESSURE MONITOR	<b>120</b>
<b>GATEWAY</b>	<b>120</b>
<b>XT SERIES</b> – POTABLE WATER EXPANSION TANK	<b>121</b>
<b>WXTP SERIES</b> – POTABLE WATER EXPANSION TANK	<b>121</b>
<b>WTTA SERIES</b> – ASME THERMAL EXPANSION TANK	<b>122</b>
<b>HXT SERIES</b> – HYDRONIC EXPANSION TANK	<b>122</b>
<b>BVECXL SERIES</b> – WATER HEATER SHUT-OFF VALVE WITH INTEGRAL THERMAL EXPANSION RELIEF VALVE	<b>123</b>
<b>1260XL SERIES</b> – WATER HAMMER ARRESTERS	<b>124</b>
<b>25 SERIES</b> – PRESSURE GAUGE	<b>124</b>
<b>VR10XL SERIES</b> – VACUUM RELIEF VALVE	<b>125</b>
<b>DUXL/DUXLC SERIES</b> – DIELECTRIC UNIONS	<b>126</b>





**APPROVALS AND APPLICABLE SPECIFICATIONS**

Meets the requirements of NSF/ANSI 61

**IMPORTANT**

The ZCSM-RP Connected Remote Pressure Monitor must have one Zurn Gateway installed within a 1,000 ft radius. Communicates via Ethernet or LTE.

**TYPICAL INSTALLATION**

**IMPORTANT:** The ZCSM-RP Connected Remote Pressure Monitor should be installed indoors in a dry location. Outdoor installations, direct sunlight, or high humidity may affect the life of the product. Avoid installing the device where the device or cables may extend into walkways or present a tripping hazard. The Connected Remote Pressure Monitor can be installed on any existing test port in your plumbing system. Flush all dirt and debris from the system connection before installation. Wrench on the brass fittings to install. Bleed air from system, if applicable.

SIZE	LEAD-FREE PART NUMBER
<b>ZCSM-RP: CONNECTED REMOTE PRESSURE MONITOR</b>	
1/4", 1/2", 3/4"	ZCSM-RP

**GATEWAY**

DESCRIPTION	LEAD-FREE PART NUMBER
Ethernet Gateway	ZGW-LORA-W1-ETH
LTE Cellular Gateway	ZGW-LORA-W1-LTE

**APPLICATIONS**

Zurn Connected Pressure Monitors transmit data 24/7 to the Zurn plumbSMART™ web portal and mobile app. Proactively monitor your plumbing system water pressure, receive real-time alerts for preset high and low pressure parameters, and access system data for trends and predictive maintenance anytime and anywhere. Designed for use and installation anywhere in your plumbing system to continually monitor system water pressure. Plug into existing test ports or tie directly into pipes. Installation is simple and flexible to meet your needs.

**FEATURES**

- Maximum working water pressure of 200 PSI
- End connection: 1/4" male NPT (ANSI/ASME B1.20.1)
- Bleed valve: 1/4" female NPT (ANSI/ASME B1.20.1)
- 1/2" x 1/4" NPT bushing
- 3/4" x 1/2" NPT bushing
- AC wall adapter with 6 foot power cord
- Easily installs and can tie into pipes with t-fittings or can take pressure reads from existing test ports
- Receive real-time alerts based on your customized high- or low-pressure warnings and alerts
- Monitor pressure anywhere and know your water pressure at any location in your building
- Choose the floor, room and/or product you would like to monitor and install in sensitive areas where consistent pressure is important
- Gain valuable insights and view historical low, average and high pressures
- Establish trends, identify pressure issues and use advanced analytics to optimize system performance
- Connect multiple remote pressure monitors to read pressure throughout your building

BACKFLOW PREVENTERS  
 BACKFLOW PREVENTERS ACCESSORIES  
 STRAINERS  
 AUTOMATIC CONTROL VALVES  
 PRESSURE REDUCING VALVES  
 FIRE PROTECTION VALVES  
 THERMOSTATIC MIXING VALVES  
 RELIEF VALVES  
 MISCELLANEOUS PLUMBING PRODUCTS  
 REPAIR KITS

## XT SERIES – POTABLE WATER EXPANSION TANK

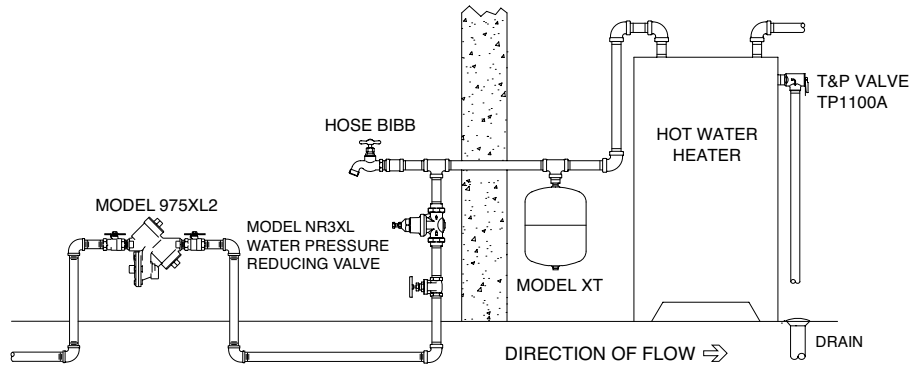


### APPROVALS AND APPLICABLE STANDARDS

- cUPC® Listed
- Certified to NSF/ANSI 61 and 372

SIZE (GAL)	LEAD-FREE PART NUMBER
<b>XT: POTABLE WATER EXPANSION TANK, 3/4" MNPT</b>	
2.1	XT-8
4.8	XT-18
9.0	XT-35

### TYPICAL INSTALLATION



### APPLICATIONS

Designed for installation on potable water lines between the backflow preventer or pressure reducing valve and the water heater to protect against water thermal expansion.

### FEATURES

- 2.1 gal. – 9.0 gal.
- 80 psi max supply pressure, factory air pre-charge – 40 psi
- 200°F max
- Diaphragm type expansion tank for water heaters
- Polypropylene lined water chamber

## WXTP SERIES – POTABLE WATER EXPANSION TANK

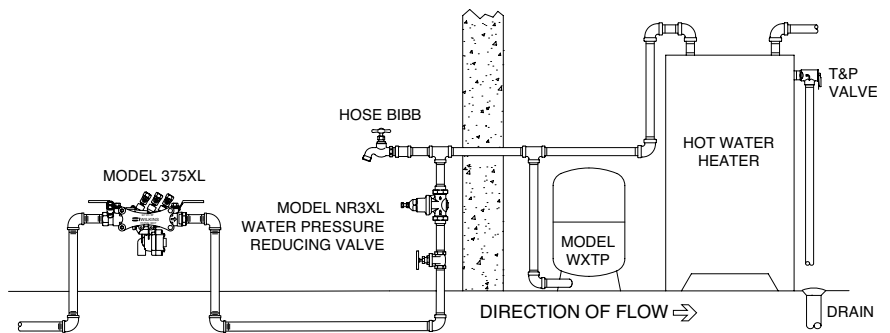


### APPROVALS AND APPLICABLE STANDARDS

- cUPC® Listed
- Certified to NSF/ANSI 61 and 372

SIZE (GAL)	LEAD-FREE PART NUMBER
<b>WXTP: POTABLE WATER EXPANSION TANK, 1" FNPT</b>	
14	WXTP-50V
20	WXTP-75V
32	WXTP-120V
<b>WXTP: POTABLE WATER EXPANSION TANK, 1 1/4" FNPT</b>	
44	WXTP-165V
85	WXTP-320V

### TYPICAL INSTALLATION



### APPLICATIONS

Designed for installation on potable water lines between the backflow preventer or pressure reducing valve and the water heater to protect against water thermal expansion.

### FEATURES

- 14 gal. – 85 gal.
- 80 psi max supply pressure, factory air pre-charge – 40 psi
- 200°F max
- Bladder type expansion tank for water heaters
- Free standing base mounted
- 5 year warranty

## WTTA SERIES - ASME THERMAL EXPANSION TANK



### APPLICATIONS

Designed for installation on hot water systems to protect against thermal expansion.

### FEATURES

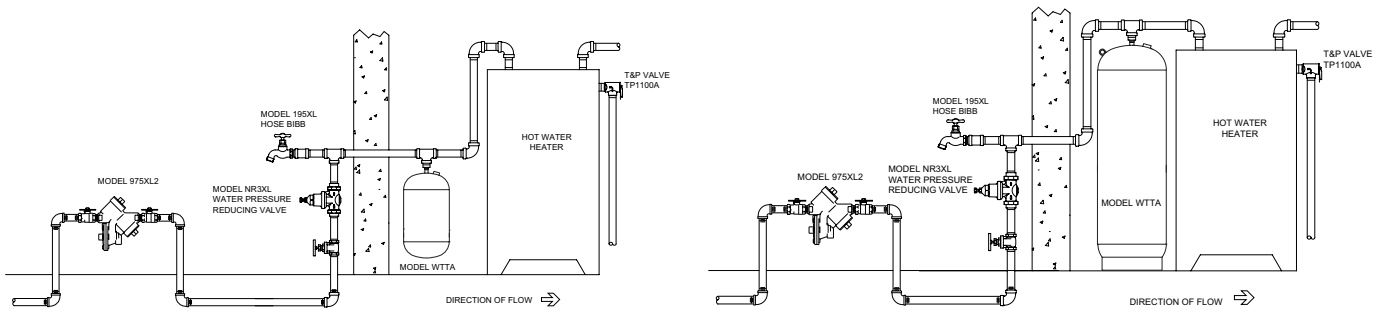
- 3.5 gal. - 90.0 gal.
- 80 psi max supply pressure, factory air pre-charge - 40 psi
- 240°F max
- Fixed bladder type for commercial and industrial applications

### APPROVALS AND APPLICABLE STANDARDS

- ASME Section VIII

SIZE (GAL)	LEAD-FREE PART NUMBER
<b>WTTA: ASME THERMAL EXPANSION TANK, 3/4" FNPT</b>	
3.5	WTTA-5
5.0	WTTA-12
8.0	WTTA-20
<b>WTTA: ASME THERMAL EXPANSION TANK, 1" FNPT</b>	
15.0	WTTA-30
22.0	WTTA-42
26.0	WTTA-60
35.0	WTTA-80
45.0	WTTA-100
60.0	WTTA-125
<b>WTTA: ASME THERMAL EXPANSION TANK, 1 1/2" FNPT</b>	
70.0	WTTA-160
80.0	WTTA-180
90.0	WTTA-210

### TYPICAL INSTALLATION

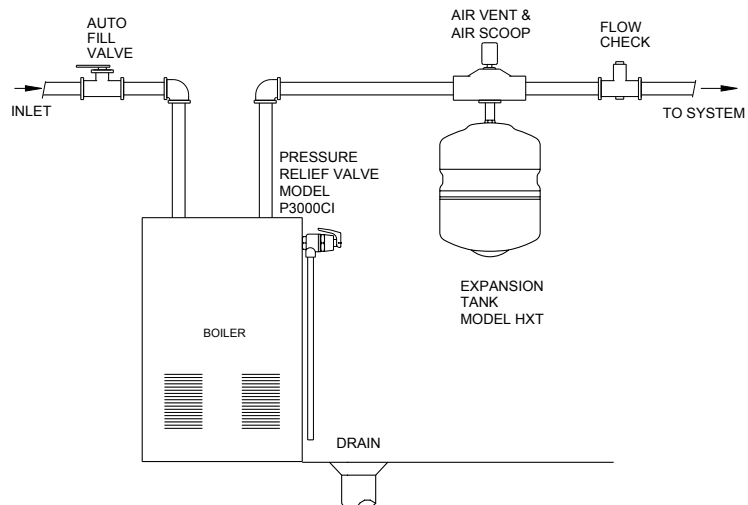


## HXT SERIES - HYDRONIC EXPANSION TANK



SIZE (GAL)	LEAD-FREE EXEMPT PART NUMBER
<b>HXT: HYDRONIC EXPANSION TANK, 1/2" MNPT</b>	
2.1	HXT-15
5.0	HXT-30
6.5	HXT-60
<b>HXT: HYDRONIC EXPANSION TANK, 1/2" MNPT</b>	
13.5	HXT-90

### TYPICAL INSTALLATION



### APPLICATIONS

Designed for installation on residential and commercial hydronic heating and cooling systems as a means of pressure control due to thermal expansion.

### FEATURES

- 2.1 gal. - 13.5 gal.
- 150 psi max, factory air pre-charge - 12 psi
- 210°F max

## BVECXL SERIES – WATER HEATER SHUT-OFF VALVE WITH INTEGRAL THERMAL EXPANSION RELIEF VALVE



SIZE	CONNECTIONS / OPTIONS	LEAD-FREE PART NUMBER
<b>BVECXL: FNPT INLET AND OUTLET CONNECTIONS</b>		
3/4"	3/4" FNPT x 3/4" FNPT, 3/8" Hose Barb Drain, 125 psi	34-BVECXL-125BF
3/4"	3/4" FNPT x 3/4" FNPT, 3/8" Compression Drain, 125 psi	34-BVECXL-125CF
3/4"	3/4" FNPT x 3/4" FNPT, 1/2" PEX Drain, 125 psi	34-BVECXL-125-PEX
<b>BVECXL: COPPER SWEAT INLET AND OUTLET CONNECTIONS</b>		
3/4"	3/4" FCU SWT x 3/4" FCU SWT, 3/8" Hose Barb Drain, 125 psi	34-BVECXL-125BF
3/4"	3/4" FCU SWT x 3/4" FCU SWT, 3/8" Compression Drain, 125 psi	34-BVECXL-125CF
<b>BVECXLPEX: PEX INLET AND OUTLET CONNECTIONS</b>		
3/4"	3/4" PEX x 3/4" PEX, 3/8" Hose Barb Drain, 125 psi	34-BVECXLPEX-125BF
3/4"	3/4" PEX x 3/4" PEX, 1/2" PEX Drain, 125 psi	34-BVECXLPEX-125-PEX

### APPLICATIONS

The Zurn Wilkins BVECXL series was designed to solve the need for a water heater shut-off and thermal expansion control relief valve in a single unit.

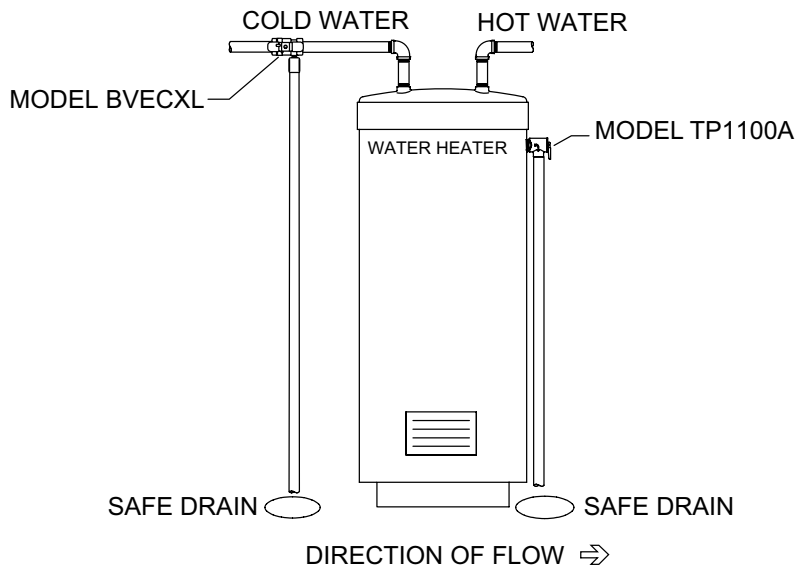
### FEATURES

- Available in 3/4" with 3/8" or 1/2" drain line connections (refer to price list)
- 210°F max
- Relief valve settings of 80, 100, and 125 psi

### APPROVALS AND APPLICABLE STANDARDS

- cUPC® Listed
- Certified to NSF/ANSI 372

### TYPICAL INSTALLATION



BACKFLOW PREVENTERS

BACKFLOW PREVENTERS ACCESSORIES

STRAINERS

AUTOMATIC CONTROL VALVES

PRESSURE REDUCING VALVES

FIRE PROTECTION VALVES

THERMOSTATIC MIXING VALVES

RELIEF VALVES

MISCELLANEOUS PLUMBING PRODUCTS

REPAIR KITS

## 1260XL SERIES – WATER HAMMER ARRESTERS



CONNECTION SIZE	CAPACITY	LEAD-FREE PART NUMBER
<b>1260XL: MNPT</b>		
1/2"	PDI Size A	1260XL-A
3/4"	PDI Size B	1260XL-B
1"	PDI Size C	1260XL-C
1"	PDI Size D	1260XL-D
1"	PDI Size E	1260XL-E
1"	PDI Size F	1260XL-F

### APPLICATIONS

Designed to protect residential, commercial and industrial water lines against over-pressure during surges following quick valve closure.

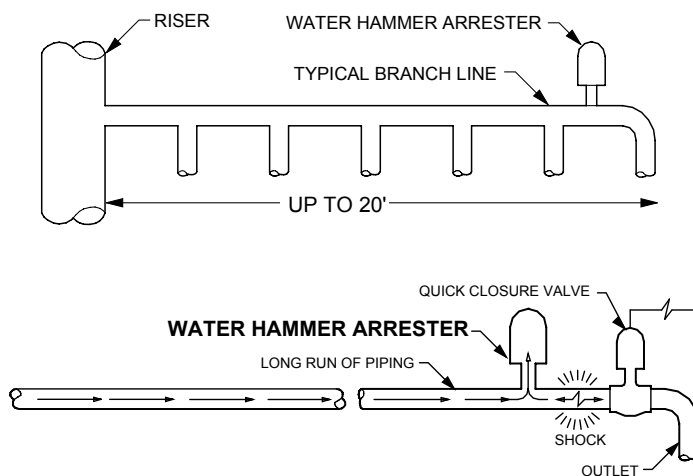
### FEATURES

- Capacities A – F
- 200 psi max static pressure
- 212°F max
- Compact design allows installation in 2 x 4 wall cavities

### APPROVALS AND APPLICABLE STANDARDS

- ASSE® Listed 1010, ANSI A112.26.1
- Certified to NSF/ANSI 372

### TYPICAL INSTALLATION



## 25 SERIES – PRESSURE GAUGE

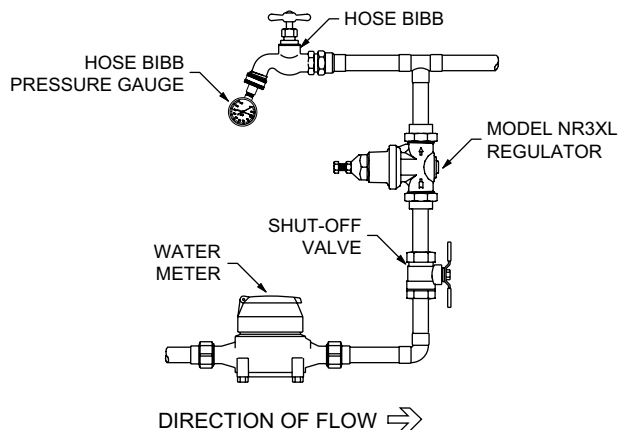


SIZE	CONNECTIONS / OPTIONS	LEAD-FREE PART NUMBER
<b>25 SERIES: PRESSURE GAUGE</b>		
1/8"	Pressure Gauge, 2" Dial, 0-100 psi, 1/8" MNPT	92-25A
1/4"	Pressure Gauge, 2" Dial, 0-100 psi, 1/4" MNPT	92-25
3/4"	Pressure Gauge, 2" Dial, 0 - 200psi, 3/4" Female Hose Bibb	HGI-25
1/4"	Pressure Gauge, 2-1/2" Dial, 0 - 300psi, 1/4" MNPT	2004-25-300
1/4"	Pressure Gauge, 3 1/2" Dial, 0 - 300psi, 1/4" MNPT	2010-25-300
1/4"	Pressure Gauge, UL/FM Listed, 3 1/2" Dial, 0 - 300psi, 1/4" MNPT	2005-25UL
1/8"	Pressure Gauge, Liquid Filled, 2-1/2" Dial, 0 - 300psi, 1/8" MNPT	2006-25LBP-300
1/4"	Pressure Gauge, Liquid Filled, 2-1/2" Dial, 0 - 300psi, 1/4" MNPT	2004-25L-300

### APPLICATIONS

The Zurn Wilkins HGI-25 is designed to measure the water pressure in a plumbing system.

### TYPICAL INSTALLATION



## VR10XL SERIES – VACUUM RELIEF VALVE



### APPLICATIONS

Designed for commercial and residential water lines to protect water supply systems and pressure vessels against internal vacuum conditions that could drain a system by siphonage and possibly damage heating element or collapse storage tanks.

### FEATURES

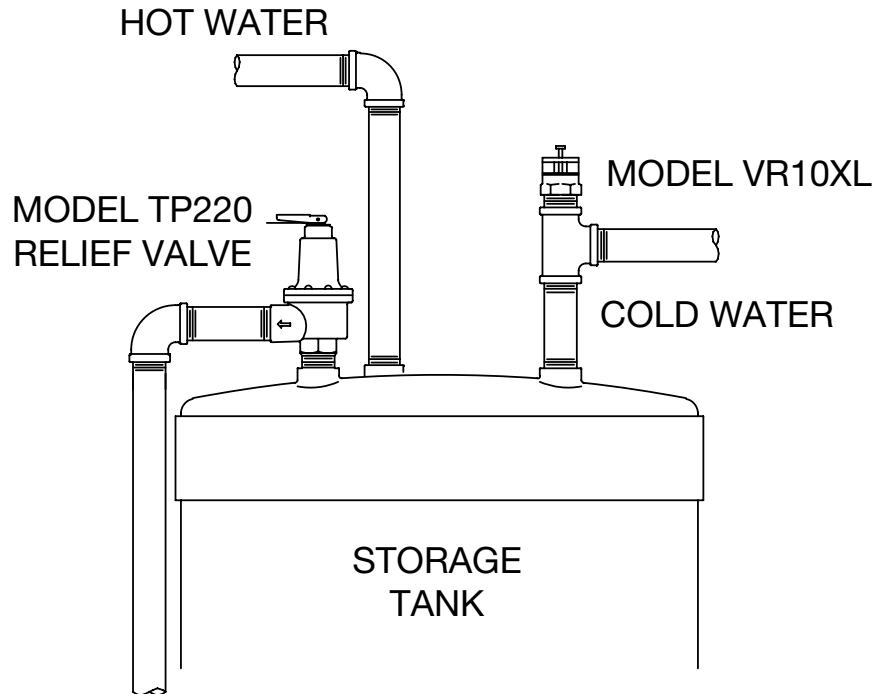
- 1/2", 3/4"
- 200 psi max
- 250°F max
- All brass body and cap
- Male inlet

### APPROVALS AND APPLICABLE STANDARDS

- CSA Compliance to ANSI Z21.22/CSA 4.4
- Certified to NSF/ANSI 372

SIZE	CONNECTIONS / OPTIONS	LEAD-FREE PART NUMBER
<b>VR10XL: VACUUM RELIEF VALVE</b>		
1/2"	1/2" MNPT	12-VR10XL
3/4"	3/4" MNPT	34-VR10XL

### TYPICAL INSTALLATION



BACKFLOW  
PREVENTERS

BACKFLOW PREVENTERS  
ACCESSORIES

STRAINERS

AUTOMATIC  
CONTROL VALVES

PRESSURE  
REDUCING VALVES

FIRE  
PROTECTION VALVES

THERMOSTATIC  
MIXING VALVES

RELIEF VALVES

MISCELLANEOUS  
PLUMBING PRODUCTS

REPAIR KITS

## DUXL/DUXLC SERIES – DIELECTRIC UNIONS



DUXL



DUXLC

### APPLICATIONS

Designed for installation on potable water lines to protect against piping system deterioration caused by galvanic and stray current corrosion. A dielectric fitting is necessary where dissimilar metals are used in piping systems. Used to connect brass pipe with iron pipe.

### FEATURES

- 1/2" - 2"
- 250 psi max (threaded connections)
- 175 psi max (flange connections)
- 180°F max
- Female iron pipe x female brass pipe

### APPROVALS AND APPLICABLE STANDARDS

- Certified to NSF/ANSI 372

## DUXL SERIES – DIELECTRIC UNIONS

SIZE	INLET X OUTLET CONNECTIONS / OPTIONS	LEAD-FREE PART NUMBER
<b>DUXL: FNPT X FNPT</b>		
1/2"		12-DUXL
3/4"		34-DUXL
1"		1-DUXL
1-1/4"		114-DUXL
1-1/2"		112-DUXL
2"		2-DUXL

## DUXLC SERIES – DIELECTRIC UNIONS

SIZE	INLET X OUTLET CONNECTIONS / OPTIONS	LEAD-FREE PART NUMBER
<b>DUXLC: FNPT X FEMALE CU SWT</b>		
1/2"	1/2" FNPT x 1/2" Female CU SWT	12-DUXLC
3/4"	3/4" FNPT x 1/2" Female CU SWT	34-DUXLC12C
3/4"	3/4" FNPT x 3/4" Female CU SWT	34-DUXLC
1"	1" FNPT x 1" Female CU SWT	1-DUXLC
1-1/4"	1 1/4" FNPT x 1 1/4" Female CU SWT	114-DUXLC
1-1/2"	1 1/2" FNPT x 1 1/2" Female CU SWT	112-DUXLC
2"	2" FNPT x 2" Female CU SWT	2-DUXLC
<b>DUXLC: FNPT FLANGE X FEMALE CU SWT</b>		
2-1/2"	2 1/2" FNPT Flange x 2 1/2" Female CU SWT	212-DUXLC
3"	3" FNPT Flange x 3" Female CU SWT	3-DUXLC

# REPAIR KITS

<b>LARGE DIAMETER BACKFLOW PREVENTER REPAIR KITS</b>	<b>128</b>
350/450 REPAIR KITS	128
375/475 REPAIR KITS	128
FIRST CHECK ASSEMBLY	128
SECOND CHECK ASSEMBLY	128
950/975 REPAIR KITS	129
BY-PASS VALVES FOR DETECTOR ASSEMBLIES REPAIR KITS	129
CHECK SEAT RETAINER	129
DOUBLE CHECK DETECTOR ASSEMBLY BYPASS REPLACEMENT KIT	129
RP DETECTOR ASSEMBLY BYPASS REPLACEMENT KIT	129
<b>SMALL DIAMETER BACKFLOW PREVENTER REPAIR KITS</b>	<b>130</b>
350XL/350 REPAIR KITS	130
375XL/375 REPAIR KITS	130
950XLT2/950XLT/950XL/950 REPAIR KITS	130
975XL2/975XL/975 REPAIR KITS	130
<b>PRESSURE VACUUM BREAKER REPAIR KITS</b>	<b>131</b>
420XL/420 REPAIR KITS	131
460XL/460 REPAIR KITS	131
720A REPAIR KITS	131
<b>ATMOSPHERIC VACUUM BREAKER REPAIR KIT</b>	<b>131</b>
<b>DUAL CHECK ASSEMBLY REPAIR KITS</b>	<b>131</b>
<b>AUTOMATIC CONTROL VALVE REPAIR KITS</b>	<b>131</b>
<b>PRESSURE REDUCING VALVE REPAIR KITS</b>	<b>132</b>
<b>MISCELLANEOUS PARTS AND REPAIR KITS</b>	<b>132</b>
QT/QTP – QUICK TEST BACKFLOW TEST FITTINGS	132
BVHD – BLUE STAINLESS STEEL BALL VALVE HANDLES WITH STAINLESS STEEL NUT	132
BVHDXL – GREEN STAINLESS STEEL BALL VALVE HANDLES WITH STAINLESS STEEL NUT	132
860XL – LEAD FREE TEST COCKS (SET)	132
860XLFT – LEAD FREE FAST-TEST COCKS WITH INTEGRAL SAE FITTINGS (SET)	132
860XL SERIES – BALL VALVE TEST COCKS (EACH)	133
RK-975TOOL – COMPLETE SET OF 950XL/975XL SEAT REMOVAL TOOLS	133
RK-BVTOOL – BALL VALVE HANDLE SOCKETS 3/4", 1", 1-1/4", 1-1/2", AND 2"	133
RPHBM REPAIR KITS	133
FIRE VALVE REPAIR KITS	133



# LARGE DIAMETER BACKFLOW PREVENTER REPAIR KITS

## 350/450 REPAIR KITS

SIZE	LEAD-FREE PART NUMBER
<b>MODEL 350/450 RUBBER ONLY REPAIR KIT</b>	
2-1/2" - 3"	RK212-350
4"	RK4-350
6"	RK6-350
8" - 12"	RK8-350
<b>MODEL 350A RUBBER ONLY REPAIR KIT</b>	
2-1/2" - 4"	RK4-350
6"	RK6-350
8" - 10"	RK8-350
<b>MODEL 350DA/450DA RUBBER ONLY (INCLUDES BY-PASS RUBBER)</b>	
2-1/2" - 3"	RK212-350DA
4"	RK4-350DA
6"	RK6-350DA
8" - 12"	RK8-350DA
<b>MODEL 350ADA RUBBER ONLY (INCLUDES BY-PASS RUBBER)</b>	
2-1/2" - 4"	RK4-350DA
6"	RK6-350DA
8" - 10"	RK8-350DA

## 375/475 REPAIR KITS

SIZE	LEAD-FREE PART NUMBER
<b>MODEL 375/375A/475 RELIEF RUBBER ONLY</b>	
2-1/2" - 6"	RK212-375R
8" - 10"	RK8-375R
<b>MODEL 375/375A/475 RELIEF COMPLETE</b>	
2-1/2" - 6"	RK212-375
8" - 10"	RK8-375
<b>MODEL 375/475 CHECKS RUBBER ONLY</b>	
2-1/2" - 4"	RK4-350
6"	RK6-350
8" - 10"	RK8-350
<b>MODEL 375DA/475DA CHECKS &amp; RELIEF RUBBER ONLY (INCLUDES BY-PASS RUBBER)</b>	
2-1/2" - 3"	RK212-375DAC
4"	RK4-375DAC
6"	RK6-375DAC
8" - 10"	RK8-375DAC
<b>MODEL 375ADA CHECKS &amp; RELIEF RUBBER ONLY (INCLUDES BY-PASS RUBBER)</b>	
2-1/2" - 4"	RK4-375DAC
6"	RK6-375DAC
8" - 10"	RK8-375DAC

## FIRST CHECK ASSEMBLY

SIZE	MODEL		LEAD-FREE PART NUMBER
	300 SERIES	400 SERIES	
Includes retainer(s) or nuts and lubricant			
<b>IRON BODY</b>			
2-1/2" & 3"	350/350DA	450/450DA	RK212-350CK1
2-1/2", 3" & 4"	350A/350ADA	-	RK4-350CK1
4"	350/350DA	450/450DA	RK4-350CK1
6"	350/350DA	450/450DA	RK6-350CK1
8", 10" & 12"	350/350DA	450/450DA	RK8-350CK1
12"	350DA	-	RK12IN-350DACK1
2-1/2" & 3"	375/375DA	475/475DA	RK212-375CK1
2-1/2" & 3"	375A/375ADA	-	RK4-375CK1
4"	375/375DA	475/475DA	RK4-375CK1
6"	375/375DA	475/475DA	RK6-375CK1
8" & 10"	375/375DA	475/475DA	RK8-375CK1
<b>STAINLESS STEEL BODY</b>			
2-1/2", 3" & 4"	350AST/350ASTDA	-	RK4-350ASTCK1
6"	350AST/350ASTDA	-	RK6-350ASTCK1
8"	350AST/350ASTDA	-	RK8-350ASTCK1
10"	350AST/350ASTDA	-	RK10-350ASTCK1
4"	-	450ST/450STDA	RK4-450STCK4
6"	-	450ST/450STDA	RK6-450STCK4
8" & 10"	-	450ST/450STDA	RK8-450STCK1
2-1/2", 3" & 4"	375AST/375ASTDA	475ST/475STDA	RK4-375ASTCK1
6"	375AST/375ASTDA	475ST/475STDA	RK6-375ASTCK1
8" & 10"	375AST/375ASTDA	-	RK8-375ASTCK1
8" & 10"	-	475ST/475STDA	RK8-475STCK1

## SECOND CHECK ASSEMBLY

SIZE	MODEL		LEAD-FREE PART NUMBER
	300 SERIES	400 SERIES	
Includes retainer(s) or nuts and lubricant			
<b>DUCTILE IRON BODY</b>			
2-1/2" & 3"	375/350	475/450	RK212-350CK2
2-1/2", 3" & 4"	375A/350A	-	RK4-350CK2
4"	375/350	475/450	RK4-350CK2
6"	375/350	475/450	RK6-350CK2
8", 10" & 12"	375/350	475/450	RK8-350CK2
2-1/2" & 3"	375DA/350DA	475DA/450DA	RK212-350DACK2
2-1/2", 3" & 4"	375ADA/350ADA	-	RK4-350CK2
4"	375DA/350DA	475DA/450DA	RK4-350CK2
6"	375DA/350DA	475DA/450DA	RK6-350CK2
8" & 10"	375DA	475DA/450DA	RK8-450DACK2
8" & 10"	350DA	-	RK8-350DACK2
12"	350DA	-	RK12IN-350DACK2
8"	350ADA	-	RK8-350DACK2
10"	350ADA	-	RK8-450DACK2
<b>STAINLESS STEEL BODY</b>			
2-1/2"	375AST/350AST	-	RK212-350ASTCK2
3" & 4"	375AST/350AST	-	RK4-350ASTCK2
6"	375AST/350AST	-	RK6-350ASTCK2
8"	375AST	-	RK8-350ASTCK2
10"	375AST/350AST	-	RK10-350ASTCK2
2-1/2"	375ASTDA/350ASTDA	-	RK212-350ASTDACK2
3" & 4"	375ASTDA/350ASTDA	-	RK4-350ASTDACK2
6"	375ASTDA	-	RK6-375ASTDACK2
6"	350ASTDA	-	RK6-350ASTDACK2
8" & 10"	375ASTDA	-	RK8-375ASTDACK2
8" & 10"	350ASTDA	-	RK8-350ASTDACK2
4"	-	450ST/475ST	RK4-450STCK4
6"	-	450ST/475ST	RK6-450STCK4
8" & 10"	-	450ST/475ST	RK8-450STCK1
4"	-	450STDA/475STDA	RK4-450STDACK2
6"	-	450STDA/475STDA	RK6-450STDACK2
8" & 10"	-	450STDA/475STDA	RK8-450STDACK2

# LARGE DIAMETER BACKFLOW PREVENTER REPAIR KITS

## 950/975 REPAIR KITS

SIZE	LEAD-FREE PART NUMBER
<b>MODEL 950/975 RUBBER (CHECKS ONLY)</b>	
2-1/2" - 3"	RK212-950
4"	RK4-950
6"	RK6-950
8"	RK8-950
10"	RK10-950
<b>MODEL 975 RELIEF (RUBBER ONLY)</b>	
2-1/2" - 6"	RK212-975R
8" - 10"	RK8-975R
<b>MODEL 975 RELIEF COMPLETE</b>	
2-1/2" - 6"	RK212-975
8" - 10"	RK8-975
<b>MODEL 950DA RUBBER ONLY (INCLUDES BY-PASS RUBBER)</b>	
2-1/2" - 3"	RK212-950DA
4"	RK4-950DA
6"	RK6-950DA
8"	RK8-950DA
10"	RK10-950DA
<b>MODEL 975DA CHECKS &amp; RELIEF RUBBER ONLY (INCLUDES BY-PASS RUBBER)</b>	
2-1/2" - 3"	RK212-975DAC
4"	RK4-975DAC
6"	RK6-975DAC
8"	RK8-975DAC
10"	RK10-975DAC

## BY-PASS VALVES FOR DETECTOR ASSEMBLIES REPAIR KITS

SIZE	DESCRIPTION	LEAD-FREE PART NUMBER
<b>BY-PASS VALVE FOR 950XLTD SERIES</b>		
3/4"	Double Check Valve By-Pass Assembly	34-350D
<b>BY-PASS VALVE FOR 375DA, 375ADA, 375ASTDA, 475DA AND 475DAV</b>		
3/4"	MNPT x MNPT, Less Ball Valves, RPDA By-Pass Assembly	34-975XLD
<b>BY-PASS VALVE FOR 350DA, 350ADA, 350ASTDA, 450DA AND 450DAV</b>		
3/4"	Double Check Valve By-Pass Assembly	34-950XLD

## CHECK SEAT RETAINER

SIZE	MODEL		LEAD-FREE PART NUMBER
	300 SERIES	400 SERIES	
<b>CHECK NUMBER 1</b>			
Bulk pack quantity of six			
2-1/2" - 3"	350/375	450/475	BRK212-300-SEAT1-RTNR
2-1/2" - 3"	350A/375A	-	BRK4-LBF-SEAT1RTNR
2-1/2" - 4"	350/375	450/475	BRK4-LBF-SEAT1RTNR
6"	350/375	450/475	BRK6-LBF-SEAT1RTNR
2-1/2" - 4"	300AST Series	400ST Series	BRK4-SSLBF-SEAT1RTNR
6"	300AST Series	400ST Series	BRK6-SSLBF-SEAT1RTNR
<b>CHECK NUMBER 2</b>			
Bulk pack quantity of six			
2-1/2" - 3"	350/375	450/475	BRK212-300-SEAT2-RTNR
2-1/2" - 4"	350/375	450/475	BRK4-LBF-SEAT2RTNR
6"	350/375	450/475	BRK6-LBF-SEAT2RTNR
2-1/2" - 4"	350AST/375AST	-	BRK4-SSLBF-SEAT2RTNR
6"	350AST/375AST	-	BRK6-SSLBF-SEAT2RTNR

## DOUBLE CHECK DETECTOR ASSEMBLY BYPASS REPLACEMENT KIT

SIZE	MODEL		LEAD-FREE PART NUMBER
	300 SERIES	400 SERIES	
2-1/2" & 3"	350DA	-	RK212-350DA-BP-LM
2-1/2" & 3"	350ADA	-	RK4-350DA-BP-LM
4"	350DA/350ADA	-	RK4-350DA-BP-LM
6"	350DA/350ADA	-	RK6-350DA-BP-LM
8" & 10"	350DA/350ADA	-	RK8-350DA-BP-LM
12"	350DA	-	RK12IN-350DA-BP-LM
2-1/2" & 3"	350ASTDA	-	RK212-350ASTDA-BP-LM
4"	350ASTDA	-	RK4-350ASTDA-BP-LM
6"	350ASTDA	-	RK6-350ASTDA-BP-LM
8" & 10"	350ASTDA	-	RK8-350ASTDA-BP-LM
2-1/2" & 3"	-	450DA	RK212-450DA-BP-LM
4"	-	450DA	RK4-450DA-BP-LM
6"	-	450DA	RK6-450DA-BP-LM
8" & 10"	-	450DA	RK8-450DA-BP-LM

## RP DETECTOR ASSEMBLY BYPASS REPLACEMENT KIT

SIZE	MODEL		LEAD-FREE PART NUMBER
	300 SERIES	400 SERIES	
2-1/2" & 3"	375DA	-	RK212-375DA-BP-LM
2-1/2" & 3"	375ADA	-	RK4-375DA-BP-LM
4"	375DA	-	RK4-375DA-BP-LM
6"	375DA	-	RK6-375DA-BP-LM
8"	375DA	-	RK8-375DA-BP-LM
10"	375DA	-	RK10-375DA-BP-LM
2-1/2" & 3"	375ASTDA	-	RK212-375ASTDA-BP-LM
4"	375ASTDA	-	RK4-375ASTDA-BP-LM
6"	375ASTDA	-	RK6-375ASTDA-BP-LM
8"	375ASTDA	-	RK8-375ASTDA-BP-LM
10"	375ASTDA	-	RK10-375ASTDA-BP-LM
2-1/2" & 3"	-	475DA	RK3-475DA-BP-LM
4"	-	475DA	RK4-475DA-BP-LM
6"	-	475DA	RK6-475DA-BP-LM
8" & 10"	-	475DA	RK8-475DA-BP-LM

# SMALL DIAMETER BACKFLOW PREVENTER REPAIR KITS

## 350XL/350 REPAIR KITS

SIZE	LEAD-FREE PART NUMBER
<b>MODEL 350XL/350 RUBBER REPAIR KIT</b>	
2 vessel o-rings, 2 check o-rings, 2 poppets with seal rings	
1/2" - 3/4"	RK34-350R
1"	RK1-350R
1-1/4" - 2"	RK114-350R
<b>MODEL 350XL/350 COMPLETE INTERNALS</b>	
2 checks, vessel o-rings, and check o-rings	
1/2" - 3/4"	RK34-350
1"	RK1-350
1-1/4" - 2"	RK114-350
<b>MODEL 350XL/350 COMPLETE PRESSURE VESSEL (HOUSING)</b>	
Complete working Pressure Vessel, o-rings, test cocks and bolts. Also available, 350VFT (350V with Fast-Test Test Cocks)	
1/2" - 3/4"	RK34-350V
1"	RK1-350V
1-1/4" - 2"	RK114-350V
<b>MODEL 350XL/350 BLOW-OUT/FLUSH FITTING</b>	
Blow-Out/Flush Fitting and 2 o-rings	
1/2" - 3/4"	RK34-350BOF
1"	RK1-350BOF
1-1/4" - 2"	RK114-350-375BOF
<b>MODEL 350XL/350 FLUSH KIT</b>	
Flush Fitting, 2 O-rings and 18" Flush Hose	
1/2" - 3/4"	RK34-350FLUSH
1"	RK1-350FLUSH
1-1/4" - 2"	RK114-350-375FLUSH

## 375XL/375 REPAIR KITS

SIZE	LEAD-FREE PART NUMBER
<b>MODEL 375XL/375 RUBBER REPAIR KIT</b>	
2 vessel o-rings, 2 check o-rings, seal rings, 2 relief valve o-rings, relief valve seal ring, diaphragm	
3/4"	RK34-375R
1"	RK1-375R
1-1/4" - 2"	RK114-375R
<b>MODEL 375XL/375 COMPLETE INTERNALS</b>	
2 checks, vessel o-rings, check o-rings, relief valve assembly, relief valve spring, relief valve spring seat, and relief valve spring o-rings	
3/4"	RK34-375
1"	RK1-375
1-1/4" - 2"	RK114-375
<b>MODEL 375XL/375 COMPLETE PRESSURE VESSEL</b>	
Complete working Pressure Vessel, o-rings and test cocks. Also available, 375VFT: 375V with Fast-Test Test Cocks (Wedge not included)	
3/4"	RK34-375V
1"	RK1-375V
1-1/4" - 2"	RK114-375V
<b>MODEL 375XL/375 VESSEL WEDGE</b>	
Pressure Vessel Wedge, sleeve and two screws	
3/4"	RK34-375W
1"	RK1-375W
<b>MODEL 375XL/375 BLOW-OUT FLUSH FITTING</b>	
Blow-Out/Flush Fitting and 2 O-rings	
3/4"	RK34-375BOF
1"	RK1-375BOF
1-1/4" - 2"	RK114-350-375BOF
<b>MODEL 375XL/375 BLOW-OUT/FLUSH KITS</b>	
Flush Fitting, 2 O-rings and 18" Flush Hose	
3/4"	RK34-375FLUSH
1"	RK1-375FLUSH
1-1/4" - 2"	RK114-350-375FLUSH
<b>MODEL RK-375XLBV1: BALL VALVE, BRONZE, 375XL INLET, FNPT TO PRESSURE VESSEL, TAPPED, O-RING</b>	
1/2"	RK12-375XLBV1
3/4"	RK34-375XLBV1
1"	RK1-375XLBV1
<b>MODEL 48AXL: BALL VALVE, BRONZE, 375XL INLET, FNPT TO PRESSURE VESSEL, TAPPED</b>	
1-1/4"	RK114-375XL-BV1
1-1/2"	RK112-375XL-BV1
2"	RK2-375XL-BV1
<b>MODEL 48BXL: BALL VALVE, BRONZE, 375XL OUTLET, PRESSURE VESSEL TO FNPT</b>	
1/2"	RK114-375XL-BV1
3/4"	RK34-375XL-BV2
1"	RK1-375XL-BV2
1-1/4"	RK114-375XL-BV2
1-1/2"	RK112-375XL-BV2
2"	RK2-375XL-BV2
<b>MODEL RK-375STBV1: BALL VALVE, STAINLESS STEEL, 375ST INLET, FNPT TO PRESSURE VESSEL, TAPPED, O-RING</b>	
1/2"	RK12-375STBV1
3/4"	RK34-375STBV1
1"	RK1-375STBV1

## 950XLT2/950XLT/950XL/950 REPAIR KITS

SIZE	LEAD-FREE PART NUMBER
<b>MODEL 950 COMPLETE</b>	
3/4" - 1"	RK34-950
1-1/4" - 2"	RK114-950
<b>MODEL 950 RUBBER</b>	
3/4" - 1"	RK34-950R
1-1/4" - 2"	RK114-950R
<b>MODEL 950XL COMPLETE</b>	
3/4" - 1"	RK34-950XL
1-1/4" - 2"	RK114-950XL
<b>MODEL 950XL/XLT/XLT2 RUBBER</b>	
3/4" - 1"	RK34-950XLR
1-1/4" - 2"	RK114-950XLR
<b>MODEL 950XL SEAT KIT</b>	
3/4" - 1"	RK34-950XLSK
1-1/4" - 2"	RK114-950XLSK
<b>MODEL 950XL COMPLETE WITH SEATS</b>	
3/4" - 1"	RK34-950XLC
1-1/4" - 2"	RK114-950XLC
<b>MODEL 950XLT/XLT2 SEAT KIT</b>	
3/4" - 1"	RK34-950XLTSK
1-1/4" - 2"	RK114-950XLTSK
<b>MODEL 950XLT/XLT2 COMPLETE WITH SEATS</b>	
3/4" - 1"	RK34-950XLTC
1-1/4" - 2"	RK114-950XLTC

## 975XL2/975XL/975 REPAIR KITS

SIZE	LEAD-FREE PART NUMBER
<b>MODEL 975 COMPLETE RUBBER &amp; SPRINGS (CHECKS &amp; RELIEF)</b>	
3/4" - 1"	RK34-975
1-1/4" - 2"	RK114-975
<b>MODEL 975 RUBBER (CHECKS &amp; RELIEF)</b>	
3/4" - 1"	RK34-975R
1-1/4" - 2"	RK114-975R
<b>MODEL 975XL/XL2 COMPLETE RUBBER &amp; SPRINGS - NO SEATS (CHECKS &amp; RELIEF)</b>	
1/4" - 1/2"	RK14-975XL
3/4" - 1"	RK34-975XL
1-1/4" - 2"	RK114-975XL
<b>MODEL 975XL/XL2 RUBBER (CHECKS &amp; RELIEF)</b>	
1/4" - 1/2"	RK14-975XLR
3/4" - 1"	RK34-975XLR
1-1/4" - 2"	RK114-975XLR
<b>MODEL 975XL/XL2 SEAT KIT (#1 &amp; #2 WITH O-RINGS)</b>	
1/4" - 1/2"	RK14-975XLSK
3/4" - 1"	RK34-975XLSK
1-1/4" - 2"	RK114-975XLSK
<b>MODEL 975XL/XL2 COMPLETE POPPETS, SPRINGS &amp; SEATS (CHECKS &amp; RELIEF)</b>	
1/4" - 1/2"	RK14-975XLC
3/4" - 1"	RK34-975XLC
1-1/4" - 2"	RK114-975XLC

## PRESSURE VACUUM BREAKER REPAIR KITS

### 420XL/420 REPAIR KITS

SIZE	LEAD-FREE PART NUMBER
<b>420XL/420 COMPLETE REPAIR KIT</b>	
1/2" - 3/4"	RK12-420
1"	RK1-420
<b>420XL/420 RUBBER REPAIR KIT</b>	
1/2" - 3/4"	RK12-420R
1"	RK1-420R
<b>420XL/420 POPPET/ BONNET</b>	
1/2" - 3/4"	RK12-420FK
1"	RK1-420FK

### 460XL/460 REPAIR KITS

SIZE	LEAD-FREE PART NUMBER
<b>460XL/460 COMPLETE REPAIR KIT</b>	
3/8" - 1/2"	RK12-460
3/4" - 1"	RK1-460
<b>460XL/460 RUBBER</b>	
3/8" - 1/2"	RK12-460R
3/4" - 1"	RK1-460R

### 720A REPAIR KITS

SIZE	LEAD-FREE PART NUMBER
<b>720A REPAIR KIT</b>	
1/2" - 1"	RK1-720A
1-1/4" - 2"	RK2-720A
<b>720A BONNET REPAIR KIT</b>	
1/2" - 1"	RK1-720AB
<b>720A POPPET &amp; O-RING</b>	
1/2" - 1"	RK1-720AP

## ATMOSPHERIC VACUUM BREAKER REPAIR KIT

SIZE	LEAD-FREE PART NUMBER
<b>35/35XL REPAIR KIT</b>	
1/4"	RK14-35
1/2"	RK12-35
3/4"	RK34-35
1"	RK1-35
1-1/4"	RK114-35
1-1/2"	RK112-35
2"	RK2-35

## DUAL CHECK ASSEMBLY REPAIR KITS

SIZE	LEAD-FREE PART NUMBER
<b>700FP/700 REPAIR KIT</b>	
1/4" - 1/2"	RK14-700
3/4" - 1"	RK34-700
1" - 1-1/2"	RK1-700FP
<b>950LM COMPLETE REPAIR KIT</b>	
3/4" - 1"	RK34-950
<b>950LM RUBBER REPAIR KIT</b>	
3/4" - 1"	RK34-950R
<b>950LF COMPLETE REPAIR KIT</b>	
3/4" - 1"	RK34-950
<b>950LF RUBBER REPAIR KIT</b>	
3/4" - 1"	RK34-950R
1-1/4" - 2"	RK114-950R

## AUTOMATIC CONTROL VALVE REPAIR KITS

SIZE	LEAD-FREE PART NUMBER
<b>RK-ZW200R: ZW200 SERIES RUBBER REPAIR KIT</b>	
Includes diaphragm, stem o-rings, and disc	
1-1/4" - 1-1/2"	RK114-112-ZW200R
2"	RK2-ZW200R
2-1/2"	RK212-ZW200R
3"	RK3-ZW200R
4"	RK4-ZW200R
6"	RK6-ZW200R
8"	RK8-ZW200R
10"	RK10-ZW200R
12"	RK12-ZW200R
14"	RK14-ZW200R
16"	RK16-ZW200R
<b>RK-ZW200C: ZW200 SERIES COMPLETE REPAIR KIT</b>	
Includes stem assembly, spring.	
1-1/4" - 1-1/2"	RK114-112-ZW200C
2"	RK2-ZW200C
2-1/2"	RK212-ZW200C
3"	RK3-ZW200C
4"	RK4-ZW200C
6"	RK6-ZW200C
8"	RK8-ZW200C
10"	RK10-ZW200C
12"	RK12-ZW200C
14"	RK14-ZW200C
16"	RK16-ZW200C
<b>RK-ZW200SK: ZW200 SERIES SEAT REPAIR KIT</b>	
Includes seat, o-ring. RK10-ZW200SK includes seat, o-ring, screws	
1-1/4" - 1-1/2"	RK114-112-ZW200SK
2"	RK2-ZW200SK
2-1/2"	RK212-ZW200SK
3"	RK3-ZW200SK
4"	RK4-ZW200SK
6"	RK6-ZW200SK
8"	RK8-ZW200SK
10"	RK10-ZW200SK
12"	RK12-ZW200SK
14"	RK14-ZW200SK
16"	RK16-ZW200SK
<b>RK-ZW200RV: ZW200 SERIES VITON RUBBER REPAIR KIT</b>	
Includes diaphragm, stem o-rings, and disc	
1-1/4" - 1-1/2"	RK114-112-ZW200RV
2"	RK2-ZW200RV
2-1/2"	RK212-ZW200RV
3"	RK3-ZW200RV
4"	RK4-ZW200RV

BACKFLOW PREVENTERS

BACKFLOW PREVENTERS ACCESSORIES

STRAINERS

AUTOMATIC CONTROL VALVES

PRESSURE REDUCING VALVES

FIRE PROTECTION VALVES

THERMOSTATIC MIXING VALVES

RELIEF VALVES

MISCELLANEOUS PLUMBING PRODUCTS

REPAIR KITS

## PRESSURE REDUCING VALVE REPAIR KITS

SIZE	LEAD-FREE PART NUMBER
<b>NR3XL/NR3 REPAIR KIT</b>	
1/2"	RK12-NR3XL
3/4"	RK34-NR3XL
1"	RK1-NR3XL
1-1/4"	RK114-NR3XL
1-1/2"	RK112-NR3XL
2"	RK2-NR3XL
<b>BR4 REPAIR KIT</b>	
1/2"	RK12-BR4XL
3/4"	RK34-BR4XL
1"	RK1-BR4XL
1-1/4"	RK114-BR4
1-1/2"	RK112-BR4
2"	RK2-BR4
<b>70XL/70 REPAIR KIT</b>	
1/2"	RK12-70XL
3/4"	RK34-70XL
1"	RK1-70XL
<b>70DU/70XLDU REPAIR KIT</b>	
1-1/4"	RK114-70XLDU
1-1/2"	RK112-70XLDU
2"	RK2-70XLDU
<b>70SS REPAIR KIT</b>	
1/2"	RK34-70SS
3/4"	RK1-70SS
<b>90 REPAIR KIT</b>	
1/2"	RK34-90
3/4"	RK1-90
<b>500XL AND 500 REPAIR KIT</b>	
1/2"	RK12-500XL
3/4"	RK34-500XL
1"	RK1-500XL
1-1/4"	RK114-500XL
1-1/2"	RK112-500XL
2"	RK2-500XL
2-1/2"	RK212-500XL
3"	RK3-500XL
<b>500XLHR/500HR REPAIR KIT</b>	
1/2"	RK12-500XLHR
3/4"	RK34-500XLHR
1"	RK1-500XLHR
1-1/4"	RK114-500XLHR
1-1/2"	RK112-500XLHR
2"	RK2-500XLHR
2-1/2"	RK212-500XLHR
3"	RK3-500XLHR
<b>500XLHLR/500HLR REPAIR KIT</b>	
1/2"	RK12-500XLHLR
3/4"	RK34-500XLHLR
1"	RK1-500XLHLR
1-1/4"	RK114-500XLHLR
1-1/2"	RK112-500XLHLR
2"	RK2-500XLHLR
2-1/2"	RK212-500XLHLR
3"	RK3-500XLHLR
<b>500XLHTSTSC REPAIR KIT</b>	
1/2"	RK12-500XLHTSTSC
3/4"	RK34-500XLHTSTSC
1"	RK1-500XLHTSTSC
1-1/4"	RK114-500XLHTSTSC
1-1/2"	RK112-500XLHTSTSC
2"	RK2-500XLHTSTSC
2-1/2"	RK212-500XLHTSTSC
3"	RK3-500XLHTSTSC

SIZE	LEAD-FREE PART NUMBER
<b>500XLFC/500FC REPAIR KIT</b>	
2"	RK2-500XLF
2-1/2"	RK212-500XLF
3"	RK3-500XLF
<b>510XL/510 REPAIR KIT</b>	
1/2"	RK12-510XL
3/4"	RK34-510XL
1"	RK1-510XL
1-1/4"	RK114-510XL
1-1/2"	RK112-510XL
2"	RK2-510XL
2-1/2"	RK212-510XL
3"	RK3-510XL
<b>600XL/600 REPAIR KIT</b>	
1/2"	RK12-600XL
3/4"	RK34-600XL
1"	RK1-600XL
1-1/4"	RK114-600XL
1-1/2"	RK112-600XL
2"	RK2-600XL
<b>600XLHR/600HR REPAIR KIT</b>	
1/2"	RK12-600XLHR
3/4"	RK34-600XLHR
1"	RK1-600XLHR
1-1/4"	RK114-600XLHR
1-1/2"	RK112-600XLHR
2"	RK2-600XLHR
<b>600XLHLR/600HLR REPAIR KIT</b>	
1/2"	RK12-600XLHLR
3/4"	RK34-600XLHLR
1"	RK1-600XLHLR
1-1/4"	RK114-600XLHLR
1-1/2"	RK112-600XLHLR
2"	RK2-600XLHLR
<b>600XLHTSTSC/600HTSTSC REPAIR KIT</b>	
1/2"	RK12-600XLHTSTSC
3/4"	RK34-600XLHTSTSC
1"	RK1-600XLHTSTSC
1-1/4"	RK114-600XLHTSTSC
1-1/2"	RK112-600XLHTSTSC
2"	RK2-600XLHTSTSC
<b>610XL/610 REPAIR KIT</b>	
1/2"	RK12-610XL
3/4"	RK34-610XL
1"	RK1-610XL
1-1/4"	RK114-610XL
1-1/2"	RK112-610XL
2"	RK2-610XL

## MISCELLANEOUS PARTS AND REPAIR KITS

### QT/QTP – QUICK TEST BACKFLOW TEST FITTINGS

SIZE	BACKFLOW RANGE	QUANTITY PER PACK	PART NUMBER
<b>MODEL QT: QUICK TEST BACKFLOW TEST FITTINGS</b>			
1/4"	1/4" - 2"	3	RK14-QT
1/2"	2-1/2" - 4"	3	RK12-QT
3/4"	6" - 12"	3	RK34-QT
<b>MODEL QTP: QUICK TEST BACKFLOW FITTINGS, THERMOPLASTIC</b>			
1/4"	1/4" - 2"	3	RK14-QTP

### BVHD – BLUE STAINLESS STEEL BALL VALVE HANDLES WITH STAINLESS STEEL NUT

SIZE	QUANTITY PER PACK	PART NUMBER
3/4"	2	RK34-BVHD
1"	2	RK1-BVHD
1-1/4"	2	RK114-BVHD
1-1/2"	2	RK112-BVHD
2"	2	RK2-BVHD

### BVHDXL – GREEN STAINLESS STEEL BALL VALVE HANDLES WITH STAINLESS STEEL NUT

SIZE	QUANTITY PER PACK	PART NUMBER
3/4"	2	RK34-BVHDXL
1"	2	RK1-BVHDXL
1-1/4"	2	RK114-BVHDXL
1-1/2"	2	RK112-BVHDXL
2"	2	RK2-BVHDXL

### 860XL – LEAD FREE TEST COCKS (SET)

SIZE	QUANTITY PER PACK	PART NUMBER
1/8"	4	RK18-860XL
1/4"	4	RK14-860XL

### 860XLFT – LEAD FREE FAST-TEST COCKS WITH INTEGRAL SAE FITTINGS (SET)

SIZE	QUANTITY PER PACK	PART NUMBER
1/8"	4	RK18-860XLFT
1/4"	4	RK14-860XLFT

## MISCELLANEOUS PARTS AND REPAIR KITS

### 860XL SERIES – BALL VALVE TEST COCKS (EACH)

SIZE	INLET X OUTLET CONNECTIONS / OPTIONS	LEAD-FREE PART NUMBER
<b>860XL: BALL TYPE TEST COCKS</b>		

Sizes 1/8" and 1/4". Resilient seated ball type test cocks. All bronze construction. Certified to NSF/ANSI 372.

1/8"	1/8" MNPT x 1/4" FNPT	18-860XL
1/4"	1/4" MNPT x 1/4" FNPT	14-860XL

#### **860XLFT: BALL TYPE FAST-TEST TEST COCKS**

1/8"	1/8" MNPT x 1/4" 45° SAE	18-860XLFT
1/4"	1/4" MNPT x 1/4" 45° SAE	14-860XLFT

### RK-975TOOL – COMPLETE SET OF 950XL/975XL SEAT REMOVAL TOOLS

SIZE	QUANTITY PER PACK	PART NUMBER
1/4" - 2"	3	RK-975TOOL

### RK-BVTOOL – BALL VALVE HANDLE SOCKETS 3/4", 1", 1-1/4", 1-1/2", AND 2"

SIZE	QUANTITY PER PACK	PART NUMBER
3/4" - 2"	2	RK-BVTOOL

### RPHBM REPAIR KITS

SIZE	DESCRIPTION	PART NUMBER
3"	Complete Repair Kit, 3-RPHBM	RK3-RPHBMC
3"	Rubber Repair Kit, 3-RPHBM	RK3-RPHBMR

### FIRE VALVE REPAIR KITS

SIZE	DESCRIPTION	PART NUMBER
1-1/2"	Repair Kit for Models 2100 and 2105	RK112-FV
1-1/2"	Repair Kit for Models 4100 and 4104	RK4100
2-1/2"	Repair Kit for Models 3000, 3004, 3005, 4000, 4004, ZW5000 and ZW5004	RK212-FV

## NOTES

# NOTES

BACKFLOW  
PREVENTERS

BACKFLOW PREVENTERS  
ACCESSORIES

STRAINERS

AUTOMATIC  
CONTROL VALVES

PRESSURE  
REDUCING VALVES

FIRE  
PROTECTION VALVES

THERMOSTATIC  
MIXING VALVES

RELIEF VALVES

MISCELLANEOUS  
PLUMBING PRODUCTS

REPAIR KITS

# INDEX



## TABLE OF CONTENTS IN ALPHABETICAL ORDER

<b>20XL SERIES – PRESSURE REDUCING VALVE</b>	82	<b>500XLYSBR SERIES – PRESSURE REDUCING VALVE</b>	86
<b>25 SERIES – PRESSURE GAUGE</b>	124	<b>510XLFC SERIES – OPTION FOR 500XLFC</b>	87
<b>25 SERIES – PRESSURE GAUGES</b>	91	<b>510XL SERIES – OPTION FOR 500XL</b>	86
<b>35XL SERIES – ATMOSPHERIC VACUUM BREAKER</b>	53	<b>600XL3 SERIES – PRESSURE REDUCING VALVE</b>	88
<b>40XL2 SERIES – IN-LINE SINGLE CHECK VALVE</b>	53	<b>600XL SERIES – PRESSURE REDUCING VALVE</b>	89
<b>48OSY SERIES – OS&amp;Y GATE VALVE</b>	58	<b>610XL SERIES – OPTION FOR 600XL</b>	89
<b>48PIV – POST INDICATOR GATE VALVE</b>	59	<b>625XL3 SERIES – OPTION FOR 600XL3</b>	88
<b>48 SERIES – NRS GATE VALVE</b>	58	<b>625XL SERIES – OPTION FOR 600XL</b>	89
<b>49 SERIES – BUTTERFLY VALVE</b>	60	<b>700XLFP SERIES – DUAL CHECK VALVE</b>	50
<b>70XL SERIES – PRESSURE REDUCING VALVE</b>	84	<b>700XL SERIES – DUAL CHECK VALVE</b>	50
<b>300 SERIES PRODUCT DECODER</b>	8	<b>705 SERIES – DUAL CHECK VALVE</b>	51
<b>310/310DA SERIES – SINGLE CHECK VALVE ASSEMBLY</b>	46	<b>710 SERIES – PRESSURE VACUUM BREAKER</b>	48
<b>350/450 REPAIR KITS</b>	128	<b>720A REPAIR KITS</b>	131
<b>350A/350 SERIES – DOUBLE CHECK VALVE ASSEMBLY</b>	14	<b>720A SERIES – PRESSURE VACUUM BREAKER</b>	49
<b>350ADA/350DA SERIES – DOUBLE CHECK DETECTOR ASSEMBLY</b>	20	<b>730/735 SERIES – LABORATORY FAUCET VACUUM BREAKER</b>	51
<b>350ASTDA SERIES – DOUBLE CHECK DETECTOR ASSEMBLY WITH STAINLESS STEEL BODY</b>	19	<b>740 SERIES – BACKFLOW PREVENTER FOR VENDING MACHINE WATER SUPPLY</b>	52
<b>350AST SERIES – DOUBLE CHECK VALVE ASSEMBLY WITH STAINLESS STEEL BODY</b>	11	<b>760 SERIES – DUAL CHECK WITH ATMOSPHERIC VENT</b>	52
<b>350XL/350 REPAIR KITS</b>	130	<b>850XL SERIES – FULL PORT BALL VALVE</b>	57
<b>350XL/350 SERIES – DOUBLE CHECK VALVE ASSEMBLY</b>	9	<b>860XLFT – LEAD FREE FAST-TEST COCKS WITH INTEGRAL SAE FITTINGS (SET)</b>	132
<b>375/475 REPAIR KITS</b>	128	<b>860XL – LEAD FREE TEST COCKS (SET)</b>	132
<b>375A/375 SERIES – REDUCED PRESSURE PRINCIPLE ASSEMBLY</b>	30	<b>860XL SERIES – BALL VALVE TEST COCKS (EACH)</b>	133
<b>375ADA/375DA SERIES – REDUCED PRESSURE PRINCIPLE DETECTOR ASSEMBLY</b>	42	<b>950/975 REPAIR KITS</b>	129
<b>375ASTDA SERIES – REDUCED PRESSURE PRINCIPLE DETECTOR ASSEMBLY WITH STAINLESS STEEL BODY</b>	40	<b>950XL3 SERIES – DOUBLE CHECK VALVE ASSEMBLY</b>	12
<b>375AST SERIES – REDUCED PRESSURE PRINCIPLE ASSEMBLY WITH STAINLESS STEEL BODY</b>	29	<b>950XL SERIES – DOUBLE CHECK VALVE ASSEMBLY</b>	11
<b>375ST SERIES – STAINLESS STEEL REDUCED PRESSURE PRINCIPLE ASSEMBLY</b>	25	<b>950XLT2/950XLT/950XL/950 REPAIR KITS</b>	130
<b>375W1/375AW1/375ASTW1 SERIES AND W1 RETROFIT KIT – CONNECTED BACKFLOW W/ WIRELESS MONITOR (2-1/2" - 10")</b>	36	<b>950XLT2/950XLT SERIES – TOP ACCESS DOUBLE CHECK VALVE ASSEMBLY</b>	10
<b>375XL/375 REPAIR KITS</b>	130	<b>950XLTDA SERIES – DOUBLE CHECK DETECTOR ASSEMBLY</b>	18
<b>375XL/375 SERIES – REDUCED PRESSURE PRINCIPLE ASSEMBLY</b>	24	<b>975XL2/975XL/975 REPAIR KITS</b>	130
<b>375XLB SERIES – THEFT PREVENTION REDUCED PRESSURE PRINCIPLE ASSEMBLY</b>	25	<b>975XL2/975XL SERIES – REDUCED PRESSURE PRINCIPLE ASSEMBLY</b>	26
<b>400 SERIES SETTER</b>	61	<b>975XL2SE / 975XL2SEU SERIES – REDUCED PRESSURE PRINCIPLE ASSEMBLY WITH 90° STREET ELBOW</b>	27
<b>400ST SERIES SETTER</b>	61	<b>975XL3 SERIES – REDUCED PRESSURE PRINCIPLE ASSEMBLY</b>	28
<b>420XL/420 REPAIR KITS</b>	131	<b>975XLHBM SERIES – HYDRANT BACKFLOW AND METER VALVE</b>	39
<b>420XL SERIES – PRESSURE VACUUM BREAKER</b>	47	<b>975XLST SERIES – STAINLESS STEEL REDUCED PRESSURE PRINCIPLE ASSEMBLY</b>	26
<b>450DA SERIES – DOUBLE CHECK DETECTOR ASSEMBLY</b>	23	<b>1260XL SERIES – WATER HAMMER ARRESTERS</b>	124
<b>450 SERIES – DOUBLE CHECK VALVE ASSEMBLY</b>	17	<b>ACV PART NUMBER CONFIGURATION TOOL</b>	68
<b>450STDA SERIES – DOUBLE CHECK DETECTOR ASSEMBLY WITH STAINLESS STEEL BODY</b>	22	<b>AG SERIES – AIR GAP</b>	62
<b>450ST SERIES – DOUBLE CHECK VALVE ASSEMBLY WITH STAINLESS STEEL BODY</b>	16	<b>ATMOSPHERIC VACUUM BREAKER REPAIR KIT</b>	131
<b>460XL/460 REPAIR KITS</b>	131	<b>AUTOMATIC CONTROL VALVE OPTIONS AND ACCESSORIES</b>	79
<b>460XL SERIES – SPILL RESISTANT PRESSURE VACUUM BREAKER</b>	47	<b>AUTOMATIC CONTROL VALVE REPAIR KITS</b>	131
<b>475/475V SERIES – REDUCED PRESSURE PRINCIPLE ASSEMBLY</b>	34	<b>BFP-9 &amp; BFP-8F SERIES – HOSE CONNECTION VACUUM BREAKER</b>	54
<b>475DA/475DAV SERIES – REDUCED PRESSURE PRINCIPLE DETECTOR ASSEMBLY</b>	45	<b>BVECXL SERIES – WATER HEATER SHUT-OFF VALVE WITH INTEGRAL THERMAL EXPANSION RELIEF VALVE</b>	123
<b>475ST/475STV SERIES – REDUCED PRESSURE PRINCIPLE ASSEMBLY WITH STAINLESS STEEL BODY</b>	32	<b>BVHD – BLUE STAINLESS STEEL BALL VALVE HANDLES WITH STAINLESS STEEL NUT</b>	132
<b>475STDA/475STDAV SERIES – REDUCED PRESSURE PRINCIPLE DETECTOR ASSEMBLY WITH STAINLESS STEEL BODY</b>	44	<b>BVHDXL – GREEN STAINLESS STEEL BALL VALVE HANDLES WITH STAINLESS STEEL NUT</b>	132
<b>500XL3 SERIES – PRESSURE REDUCING VALVE</b>	85	<b>BVMS – BALL VALVE MONITOR SWITCH</b>	57
<b>500XLFC SERIES – PRESSURE REDUCING VALVE</b>	87	<b>BY-PASS VALVES FOR DETECTOR ASSEMBLIES REPAIR KITS</b>	129
<b>500XL SERIES – PRESSURE REDUCING VALVE</b>	86	<b>CHECK SEAT RETAINER</b>	129
		<b>COUPLINGS AND FITTINGS</b>	101
		<b>DOUBLE CHECK DETECTOR ASSEMBLY BYPASS REPLACEMENT KIT</b>	129
		<b>DUAL CHECK ASSEMBLY REPAIR KITS</b>	131
		<b>DUXL/DUXLC SERIES – DIELECTRIC UNIONS</b>	126

## TABLE OF CONTENTS IN ALPHABETICAL ORDER – (CONTINUED)

<b>F480SYF SERIES – FIRE OS&amp;Y UNTAPPED GATE VALVE</b>	59	<b>TABLE OF CONTENTS IN ALPHABETICAL ORDER</b>	136
<b>F49BR/F49BRG SERIES – POWERBALL BUTTERFLY VALVES</b>	98	<b>TG-3 AND TG-5 – BACKFLOW ASSEMBLY TEST KITS</b>	60
<b>F49 SERIES – FIRE BUTTERFLY VALVES</b>	99	<b>THERMOSTATIC MIXING VALVES ACCESSORIES</b>	112
<b>F100/F100G SERIES – FIRE HOSE VALVES</b>	98	<b>TP220 SERIES – COMMERCIAL TEMPERATURE AND PRESSURE VALVE</b>	114
<b>F210R SERIES – RISER CHECKS</b>	99	<b>TP1100A SERIES – RESIDENTIAL TEMPERATURE AND PRESSURE VALVE</b>	114
<b>FCIS SERIES – CONNECTED FLOOD CONTROL SYSTEM (2-1/2" - 10") / FLOOD CONTROL INTEGRATED SYSTEM (1-1/4" - 2")</b>	37	<b>TP3000 SERIES – COMMERCIAL TEMPERATURE AND PRESSURE VALVE</b>	115
<b>FIRE VALVE REPAIR KITS</b>	133	<b>TPKXL SERIES – TAILPIECE KITS</b>	90
<b>FIRST CHECK ASSEMBLY</b>	128	<b>TPKXL SERIES – TAILPIECE KITS</b>	112
<b>FLUSH FITTING TOOLS – 350/375 BACKFLOW PREVENTERS</b>	60	<b>VR10XL SERIES – VACUUM RELIEF VALVE</b>	125
<b>FP3 SERIES - CAPS</b>	103	<b>WATER PRESSURE REDUCING VALVE ACCESSORIES</b>	90
<b>FP8 SERIES - GROOVED FLANGES</b>	105	<b>WBR SERIES – IN BUILDING RISERS</b>	56
<b>FP23 SERIES - COUPLINGS – SINGLE BOLT (EZ1), RIGID (R), FLEX (F), REDUCING</b>	101	<b>WTTA SERIES – ASME THERMAL EXPANSION TANK</b>	122
<b>FP51 SERIES - GROOVED REDUCERS</b>	105	<b>WXTP SERIES – POTABLE WATER EXPANSION TANK</b>	121
<b>FP52 SERIES - ELBOWS – 90° STANDARD RADIUS, 90° SHORT RADIUS (S), 45° STANDARD RADIUS (-45), 22.5° STANDARD RADIUS (-22), 11.25° STANDARD RADIUS (-11), END OF RUN ADAPTER (GTF)</b>	102	<b>XT SERIES – POTABLE WATER EXPANSION TANK</b>	121
<b>FP53 SERIES - TEES – STANDARD RADIUS, SHORT RADIUS (S), REDUCING BRANCH</b>	103	<b>YBXL SERIES – WYE STRAINER</b>	64
<b>FP56 SERIES - CROSSES</b>	103	<b>Z3000/Z3005 SERIES – PRESSURE-TRU® FIRE HOSE VALVES</b>	96
<b>FP63 SERIES - MECHANICAL TEES – GROOVED (G), THREADED (TF), U-BOLT (LTF)</b>	104	<b>Z3004 SERIES – PRESSURE-TRU® FIRE FLOOR CONTROL VALVES</b>	95
<b>FSC SERIES – WYE STRAINER</b>	65	<b>ZCSM-PF AND ZCSM-BTM – CONNECTED PRESSURE MONITOR (ZCSM-PF) WITH OPTIONAL CONNECTED FLOW METER (ZCSM-BTM)</b>	38
<b>GATEWAY</b>	36	<b>ZCSM-RP – CONNECTED REMOTE PRESSURE MONITOR</b>	120
<b>GATEWAY</b>	37	<b>ZW204 SERIES – NON-MODULATING FLOAT VALVE</b>	73
<b>GATEWAY</b>	38	<b>ZW205FP SERIES – FIRE PROTECTION PRESSURE RELIEF VALVE</b>	77
<b>GATEWAY</b>	120	<b>ZW205 SERIES – PRESSURE RELIEF, PRESSURE SUSTAINING VALVE</b>	72
<b>GENERAL TERMS AND CONDITIONS</b>	2	<b>ZW206 SERIES – SOLENOID CONTROL VALVE</b>	71
<b>HBRV – HOSE BIBB RELIEF VALVE</b>	117	<b>ZW207 SERIES – EXCESS PRESSURE SHUT-OFF VALVE</b>	70
<b>HXT SERIES – HYDRONIC EXPANSION TANK</b>	122	<b>ZW209FP SERIES – FIRE PROTECTION PRESSURE REDUCING VALVE</b>	76
<b>LARGE DIAMETER BACKFLOW PREVENTER REPAIR KITS</b>	128	<b>ZW209 SERIES – PRESSURE REDUCING VALVE</b>	69
<b>LEAD FREE</b>	6	<b>ZW215FP SERIES – FIRE PUMP SUCTION CONTROL VALVE</b>	78
<b>MISCELLANEOUS PARTS AND REPAIR KITS</b>	132	<b>ZW218 SERIES – SLOW CLOSE CHECK VALVE</b>	74
<b>NR3XL SERIES – PRESSURE REDUCING VALVE</b>	83	<b>ZW221/ZW222 SERIES – ALTITUDE LEVEL CONTROL VALVES</b>	75
<b>OSY-40 – GATE VALVE SUPERVISORY SWITCH KIT</b>	57	<b>ZW1017XL – AQUA-GARD® THERMOSTATIC MIXING VALVE (ASSE 1017 POINT OF SOURCE)</b>	108
<b>P1000AXL SERIES – PRESSURE RELIEF VALVE</b>	116	<b>ZW1017XLHT – AQUA-GARD® THERMOSTATIC MIXING VALVE (ASSE 1017 POINT OF SOURCE)</b>	109
<b>P1500XL SERIES – CALIBRATED PRESSURE RELIEF VALVE</b>	116	<b>ZW1070XL – AQUA-GARD® THERMOSTATIC MIXING VALVE (ASSE 1070 POINT OF USE)</b>	110
<b>P1520XL/1550XL SERIES – THERMAL EXPANSION PRESSURE RELIEF VALVE</b>	117	<b>ZW3870XL – THERMOSTATIC MIXING VALVE (ASSE 1070 POINT OF USE)</b>	111
<b>P4000A – PRESSURE RELIEF VALVES</b>	100	<b>ZW4000 SERIES – PRESSURE-TRU® FIRE HOSE VALVES</b>	96
<b>PRESSURE REDUCING VALVE REPAIR KITS</b>	132	<b>ZW4004 SERIES – PRESSURE-TRU® FIRE FLOOR CONTROL VALVES</b>	95
<b>PRESSURE VACUUM BREAKER REPAIR KITS</b>	131	<b>ZW4100 SERIES – PRESSURE-TRU® FIRE HOSE VALVES</b>	97
<b>QT/QTP – QUICK TEST BACKFLOW TEST FITTINGS</b>	132	<b>ZW4104 SERIES – PRESSURE-TRU® FIRE FLOOR CONTROL VALVES</b>	97
<b>QT-SET (BRASS) AND QTP (PLASTIC) – QUICK TEST FITTINGS</b>	61	<b>ZW5000 SERIES – PRESSURE-TRU® FIRE HOSE VALVES</b>	94
<b>RFK4X3-400ST – 4" X 3" SETTER ADAPTERS FOR 400ST SERIES</b>	62	<b>ZW5004 SERIES – PRESSURE-TRU® FIRE FLOOR CONTROL VALVES</b>	94
<b>RK-975TOOL – COMPLETE SET OF 950XL/975XL SEAT REMOVAL TOOLS</b>	133	<b>ZWFR – FREEZE RELIEF VALVE</b>	56
<b>RK-BVTOOL – BALL VALVE HANDLE SOCKETS 3/4", 1", 1-1/4", 1-1/2", AND 2"</b>	133		
<b>RP DETECTOR ASSEMBLY BYPASS REPLACEMENT KIT</b>	129		
<b>RPHBM REPAIR KITS</b>	133		
<b>RPHBM SERIES – HIGH CAPACITY HYDRANT BACKFLOW AND METER COMBINATION</b>	39		
<b>SECOND CHECK ASSEMBLY</b>	128		
<b>SMALL DIAMETER BACKFLOW PREVENTER REPAIR KITS</b>	130		
<b>SXL SERIES – WYE STRAINER</b>	65		
<b>TABLE OF CONTENTS BY PRODUCT CATEGORIES</b>	4		







