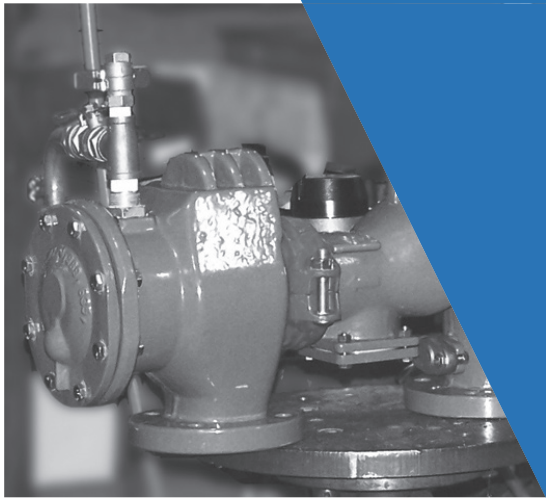
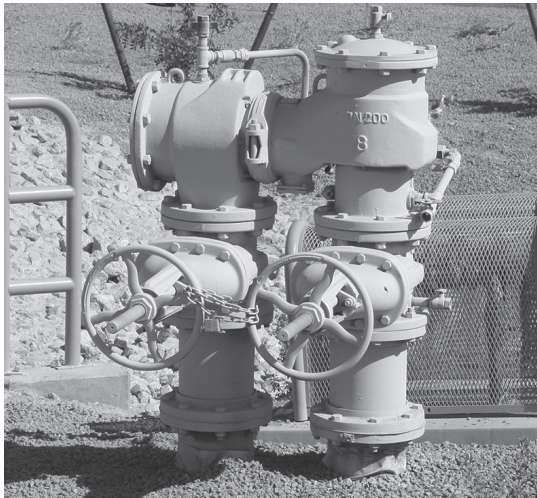


Price List

Backflow Prevention Products and Repair Kits



Effective January 6, 2025

All prices supersede previous issues, are temporary and subject to change without notice.

Your Discount[†]

[†] Excludes kits and parts

Electronic is Green!

For the latest FEBCO pricing information in electronic format, visit our Data Exchange at:

<http://www.wattswater.com/dataexchange/>

- Download product and list price data in .csv, .pdf, .tsv, .xls and .xml formats
- Easy access to list price data for business systems
- Sign up for e-mail alerts when data is updated
- Access our Watts Water Technologies brands pricing data

TERMS AND CONDITIONS	2	LF866-OSY-LM (2½" - 10")	12
HOW TO ORDER	2	LF886V-OSY-GPM/CFM (2½" - 10")	13
SINGLE DETECTOR CHECK ASSEMBLIES		LF886V-DOSY-GPM/CFM (2½" - 10")	13
800 (4" - 10")	3	LF886V-OSY-LM (2½" - 10")	13
LF406 (2")	3	LF886V-DOSY-LM (2½" - 10")	13
DOUBLE CHECK VALVE ASSEMBLIES-BRONZE BODY		LF886V-LG-GPM/CFM (2½" - 10")	13
850-QT DC (½" - 2")	3	LF886W-LG-GPM/CFM (4" - 10")	14
LF850-QT DC (½" - 2")	3	LF886W-DOSY-GPM/CFM (4" - 10")	14
850U-QT DC (½" - 2")	3	LF886W-DOSY-LM (4" - 10")	14
LF850U-QT DC (½" - 2")	3	LF886WZ-LG-GPM/CFM (4" - 10")	14
DOUBLE CHECK VALVE ASSEMBLIES-DUCTILE IRON BODY		LF886WZ-DOSY-LM (4" - 10")	14
LF850-LG DC (2½" - 10")	4	VACUUM BREAKERS	
LF850-NRS DC (2½" - 10")	4	Atmospheric Vacuum Breaker	
LF850-DNRS DC (2½" - 10")	4	715A AVB (¾")	15
LF850-DOSY DC (2½" - 10")	4	710A AVB (1" - 2")	15
LF870V-LG DC (2½" - 10")	5	Pressure Vacuum Breakers	
LF870V-NRS DC (2½" - 10")	5	765-QT PVB (½" - 2")	15
LF870V-DOSY DC (2½" - 10")	5	U765-QT PVB (½" - 2")	15
LF870V-DNRS DC (2½" - 10")	5	LF767FR PVB (½" - 2")	15
LF870W-LG (4" - 10")	5	ACCESSORIES	
LF870W-NRS (4" - 10")	5	Air Gap	16
LF870W-DNRS (4" - 10")	5	Valve Setters	16
LF870WZ-DOSY (4" - 10")	6	Wye-Strainer	17
DOUBLE CHECK DETECTOR ASSEMBLIES (TYPE II) DUCTILE IRON BODY		Spool	17
LF856-LF-GPM (2½" - 8")	7	Full Port Test Cock	17
LF856-DOSY-GPM (2½" - 10")	7	Backflow Test Kit	17
LF876V-DOSY-GPM (2½" - 10")	7	Valve Stand	17
LF876V-DOSY DC (10")	7	Gate Valve Mounting Kit	17
LF876W-LG (4" - 10")	7	IRRIGATION SPECIALTIES	
LF876W-DOSY (4" - 10")	7	Key Operated Wall Hydrant	17
LF876WZ-LG (4" - 10")	7		
LF876WZ-DOSY (4" - 10")	7		
LF876V-DOSY-GPM (2½" - 8")	7		
REDUCED PRESSURE ZONE ASSEMBLIES-BRONZE BODY		PARTS AND ACCESSORIES	
825Y-QT RP (¾" - 2")	8	ATMOSPHERIC VACUUM BREAKER	
LF825Y-QT RP (¾" - 2")	8	710/715	19
825YA-QT RP (¾" - 2")	8	PRESSURE VACUUM BREAKER	
LF825YA-QT RP (¾" - 2")	8	765	19
860-QT RP (½" - 2")	8	DOUBLE CHECK VALVE ASSEMBLY	
LF860-QT RP (½" - 2")	8	805	20
860U-QT RP (½" - 2")	8	835B	20
LF860U-QT RP (½" - 2")	8	850/LF850	22
REDUCED PRESSURE ZONE ASSEMBLIES-DUCTILE IRON BODY		DOUBLE CHECK/DOUBLE CHECK DETECTOR ASSEMBLIES	
LF860-LG (2½" - 10")	9	805	24
LF860-NRS (2½" - 10")	9	806YD	24
LF860-DNRS (2½" - 10")	9	850/LF850	25, 26
LF860-OSY (2½" - 10")	9	856/LF856	25, 26
LF860-DOSY (2½" - 10")	9	856ST	25, 26
LF880V-LG (2½" - 10")	9	870/LF870, 870V	29, 30
LF880V-NRS (2½" - 10")	9	876, 876V/LF876V, 876VST	29, 30
LF880V-DOSY (2½" - 10")	10	REDUCED PRESSURE ZONE ASSEMBLY	
LF880V-OSY (2½" - 10")	10	825/LF825	21, 28
LF880V-DNRS (2½" - 10")	10	860/LF860	23, 31, 32
LF880W-LG (4" - 10")	10	LF866	32
Sensor Kits for MasterSeries	10	880/880U/880V	23, 33
LF880W-DNRS (4" - 10")	11	REDUCED PRESSURE/REDUCED PRESSURE DETECTOR ASSEMBLIES	
LF880W-DOSY (4" - 10")	11	825, 825D, 825YD	27, 28
LF880WZ-LG (4" - 10")	11	826YD	27, 28
LF880WZ-DNRS (4" - 10")	11	REDUCED PRESSURE ZONE ASSEMBLIES/REDUCED PRESSURE ZONE DETECTOR ASSEMBLIES	
LF880WZ-DOSY (4" - 10")	11	LF880V	34
REDUCED PRESSURE DETECTOR ASSEMBLIES (TYPE II) DUCTILE IRON BODY		LF886V	34
LF866-LG-GPM/CFM (2½" - 10")	12	Relief Valve Repair Kits	35
LF866-DOSY-GPM/CFM (2½" - 10")	12	Ball Valve/Gate Valve	36
LF866-OSY-GPM/CFM (2½" - 10")	12		
LF866-DOSY-LM (2½" - 10")	12		

- FREIGHT TERMS:** All shipments are F.O.B. shipping point. Shipments from factory less than 1000 lbs. are F.O.B. factory. Factory shipments OF \$2500 and over within the continental U.S.A. will be prepaid and allowed when made at the lowest motor carrier transportation rate.
- TERMS OF SALE:** All sales are F.O.B. shipping point.
- PAYMENT TERMS:** The invoices are due and payable 30 days from the date of invoice.
- PURCHASE ORDER FORMS:** Orders submitted on customer's own purchase order forms will be accepted only with the express understanding that no statements, clauses, or conditions contained in said order form will be binding on the Seller if they in any way modify the Seller's own terms and conditions of sales.
- STOCKING WHOLESALE MINIMUM CHARGE:** A minimum billing charge of \$200.00 applies to shipments F.O.B. factory. Stocking Wholesaler Customers are encouraged to order sufficient material to avoid this charge which is necessitated by increased costs of processing small orders.
- SPECIAL PRODUCTS:** Orders for special or modified products are non-cancelable. In the event that the customer cancels an order for such products, Watts shall charge the customer an amount equal to Watts' costs and expenses incurred in performing the purchase order prior to receipt of notice of cancellation.
- LIMITED WARRANTY:** FEBCO warrants each product to be free from defects in material and workmanship under normal usage for a period of one year from the date of original shipment. In the event of such defects within the warranty period, the Company will, at its option, replace or recondition the product without charge. THE WARRANTY SET FORTH HEREIN IS GIVEN EXPRESSLY AND IS THE ONLY WARRANTY GIVEN BY THE COMPANY WITH RESPECT TO THE PRODUCT. THE COMPANY MAKES NO OTHER WARRANTIES, EXPRESS OR IMPLIED. THE COMPANY HEREBY SPECIFICALLY DISCLAIMS ALL OTHER WARRANTIES, EXPRESS OR IMPLIED, INCLUDING BUT NOT LIMITED TO THE IMPLIED WARRANTIES OF MERCHANT ABILITY AND FITNESS FOR A PARTICULAR PURPOSE. The remedy described in the first paragraph of this warranty shall constitute the sole and exclusive remedy for breach of warranty, and the Company shall not be responsible for any incidental, special or consequential damages, including without limitation, lost profits or the cost of repairing or replacing other property which is damaged if this product does not work properly, other costs resulting from labor charges, delays, vandalism, negligence, fouling caused by foreign material, damage from adverse water conditions, chemical, or any other circumstances over which the Company has no control. This warranty shall be invalidated by any abuse, misuse, misapplication, improper installation or improper maintenance or alteration of the product. Some States do not allow limitations on how long an implied warranty lasts, and some States do not allow the exclusion or limitation of incidental or consequential damages. Therefore the above limitations may not apply to you. This Limited Warranty gives you specific legal rights, and you may have other rights that vary from State to State. You should consult applicable state laws to determine your rights. SO FAR AS IS CONSISTENT WITH APPLICABLE STATE LAW, ANY IMPLIED WARRANTIES THAT MAY NOT BE DISCLAIMED, INCLUDING THE IMPLIED WARRANTIES OF MERCHANTABILITY AND FITNESS FOR A PARTICULAR PURPOSE, ARE LIMITED IN DURATION TO ONE YEAR FROM THE DATE OF ORIGINAL SHIPMENT.
- SERVICE POLICY:** For inoperative products beyond the warranty period, we assume no liability for replacement of valves due to service conditions beyond our control.
- RETURNED GOODS:** No material shall be returned without authorization. When credit is issued it will be at the price charged, or prevailing price if lower, less handling charges based on costs of reconditioning, boxing, etc. However, a minimum 25% handling charge will apply. A minimum handling charge of \$20.00 is applied whenever the 25% handling deduction does not total \$20.00. Products which are obsolete or made to special order are not returnable.
- NOTE:** Prices and terms are subject to change without notice and supersede all previous quotations. The right is reserved to change or modify product design or construction without prior notice and without incurring any obligation to make such changes and modifications on products previously or subsequently sold.

HOW TO ORDER

1. Determine the type of valve assembly required, such as a Double Check Assembly (DC).
2. Determine size, options, and accessories.
3. Use the following pages to determine the part number, list price and shipping weight.
4. Contact your local representative or visit our website at www.FEBCOonline.com for up-to-date approvals.
5. Prices subject to change without notice.
6. Weights are estimated.

SINGLE DETECTOR CHECK ASSEMBLIES



A WATTS Brand

Model	Size	Ordering Code	UPC	Net Content	Consumer Unit Weight (lbs)	Case Qty	Case Weight (lbs)	List Price
-------	------	---------------	-----	-------------	----------------------------	----------	-------------------	------------

Single Detector Check Assemblies

Less Bypass

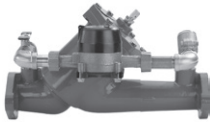
Model	Size	Ordering Code	UPC	Net Content	Consumer Unit Weight (lbs)	Case Qty	Case Weight (lbs)	List Price
LF406	2"	88005353	643925546712	1	35.6			\$ 5,352.00
LF800	4"	88006232	643925539042	1	122			2,964.00
LF800	6"	88006230	643925539073	1	212			3,766.00
LF800	8"	88006237		1	337			6,808.00
LF800	10"	88006242		1				10,541.00

With Bypass

Model	Size	Ordering Code	GPM	CFM	UPC	Net Content	Consumer Unit Weight (lbs)	Case Qty	Case Weight (lbs)	List Price
LF406	2"	88005355	88005354		643925550320	1	42.3			\$ 6,269.00
LF800	4"	88006229	88006227		643925539059	1	136			3,798.00
LF800	6"	88006233	88006234		643925539097	1	234			5,045.00
LF800	8"	88006238	88006239		643925565997	1				7,351.00
LF800	10"	88006244	88006245			1				13,040.00



800



LF406

DOUBLE CHECK VALVE ASSEMBLIES

Model	Size	Ordering Code	UPC	Net Content	Consumer Unit Weight (lbs)	Case Qty	Case Weight (lbs)	List Price
-------	------	---------------	-----	-------------	----------------------------	----------	-------------------	------------

Double Check Valve Assemblies-Bronze Body and Freeze Sensor

With Quarter-Turn Shutoff Valves and Freeze Sensor

850-QT-FZ	1/2"	T1111		643925585360	1	4.99	-	-	430.50
850-QT-FZ	3/4"	T1112		643925585377	1	5.05	-	-	456.00
850-QT-FZ	1"	T1113		643925585575	1	7.55	-	-	514.00
850-QT-FZ	1 1/4"	T1114		643925585384	1	16.65	-	-	970.50
850-QT-FZ	1 1/2"	T1115		643925585391	1	18.65	-	-	1,028.00
850-QT-FZ	2"	T1116		643925585407	1	23.35	-	-	1,225.00

LF850-QT-FZ	3/4"	T683039		643925585476	1	5.05	-	-	541.00
LF850-QT-FZ	1"	T683040		643925585483	1	7.55	-	-	604.50
LF850-QT-FZ	1 1/4"	T683041		643925585490	1	16.65	-	-	1,150.00
LF850-QT-FZ	1 1/2"	T683042		643925585506	1	18.65	-	-	1,222.00
LF850-QT-FZ	2"	T683043		643925585513	1	23.35	-	-	1,453.00

With Union Connections, Quarter-Turn Shutoff Valves and Freeze Sensor

850U-QT-FZ	1/2"	T2611		643925585414	1	4.6	-	-	501.00
850U-QT-FZ	3/4"	T2612		643925585421	1	6	-	-	549.00
850U-QT-FZ	1"	T2613		643925585438	1	8.85	-	-	598.50
850U-QT-FZ	1 1/2"	T2615		643925585445	1	21.8	-	-	1,253.00
850U-QT-FZ	2"	T2616		643925585452	1	25.25	-	-	1,463.00
LF850U-QT-FZ	1 1/4"	T122966		643925585469	1	17.4	-	-	1,447.00

Freeze Sensor Connection Kit with Wi-Fi for 850, LF850 Small sizes 1/2" - 2" and Other Cold-vulnerable, Water-carrying Equipment

Ordering Code	Kit No.	Description	List Price (each)
88009516	FP-FBF-WiFi/BMS/IMS-FZ	Freeze Sensor Connection Kit	216.50

Replacement Kits

Ordering Code	Kit No.	Description	List price
Replacement Freeze Sensors for 850 Small, LF850 Small sizes 1/2" - 2"			
0683251	FP-FBF-SATSZA29-FEBCO FZ	Freeze Sensor Replacement	12.75

*The wetted surface of this product contacted by consumable water contains less than 0.25% of lead by weight.

Supersedes all other price lists / Prices subject to change / Weights are estimated

¹Grooved ends available on all OS&Y gate valves in some models and sizes. Expect larger lead times.

DOUBLE CHECK VALVE ASSEMBLIES



A WATTS Brand

Model	Size	Ordering Code	UPC	Net Content	Consumer Unit Weight (lbs)	Case Qty	Case Weight (lbs)	List Price
-------	------	---------------	-----	-------------	----------------------------	----------	-------------------	------------

Double Check Valve Assemblies-Ductile Iron Body

Inline, Less Shutoff Valves

LEAD FREE	LF850-LG DC	2 1/2"	0124520	098268836790	1	165	-	\$ 4,161.00
	LF850-LG DC	3"	0124522	098268836813	1	165	-	4,763.00
	LF850-LG DC	4"	0124523	098268836820	1	235	-	4,915.00
	LF850-LG DC	6"	0124524	098268836837	1	320	-	7,680.00
	LF850-LG DC	8"	0124525	098268836844	1	520	-	15,169.00
	LF850-LG DC	10"	0124526	098268836851	1	595	-	20,888.00

Inline, NRS Shutoff Valves

LEAD FREE	LF850-NRS DC	2 1/2"	0124527	098268836868	1	265	-	6,233.00
	LF850-NRS DC	3"	0124528	098268836875	1	290	-	7,136.00
	LF850-NRS DC	4"	0124529	098268836882	1	435	-	7,366.00
	LF850-NRS DC	6"	0124530	098268836899	1	605	-	11,512.00
	LF850-NRS DC	8"	0124531	098268836905	1	1000	-	22,745.00
	LF850-NRS DC	10"	0124532	098268836912	1	1410	-	31,328.00

Inline, Domestic NRS Shutoffs

LEAD FREE	LF850-DNRS DC	2 1/2"	0683080	643925026108	1	260	-	6,233.00
	LF850-DNRS DC	3"	0683081	643925026115	1	285	-	7,136.00
	LF850-DNRS DC	4"	0683082	643925026122	1	425	-	7,366.00
	LF850-DNRS DC	6"	0683083	643925026139	1	595	-	11,512.00
	LF850-DNRS DC	8"	0683084	643925026146	1	980	-	22,745.00
	LF850-DNRS DC	10"	0683085	643925026153	1	1410	-	31,328.00

Inline, OSY Shutoff Valves

LEAD FREE	LF850-DOSY DC	2 1/2"	0683074	643925026047	1	270	-	6,649.00
	LF850-DOSY DC	3"	0683075	643925026054	1	295	-	7,617.00
	LF850-DOSY DC	4"	0683076	643925026061	1	445	-	7,858.00
	LF850-DOSY DC	6"	0683077	643925026078	1	625	-	12,282.00
	LF850-DOSY DC	8"	0683078	643925026085	1	1030	-	24,261.00
	LF850-DOSY DC	10"	0683079	643925026092	1	1450	-	33,410.00



LF850-NRS DC
Horizontal Installation



LF850-NRS DC
Vertical Installation

*The wetted surface of this product contacted by consumable water contains less than 0.25% of lead by weight.

Supersedes all other price lists / Prices subject to change / Weights are estimated

¹Grooved ends available on all OS&Y gate valves in some models and sizes. Expect larger lead times.

DOUBLE CHECK VALVE ASSEMBLIES



A WATTS Brand

Model	Size	Ordering Code	UPC	Net Content	Consumer Unit Weight (lbs)	Case Qty	Case Weight (lbs)	List Price
-------	------	---------------	-----	-------------	----------------------------	----------	-------------------	------------

Double Check Valve Assemblies-Ductile Iron Body Continued

N-Pattern, Less Shutoff Valves

LEAD FREE	LF870V-LG DC	2 1/2"	0124536	098268836950	1	145	-	\$ 4,579.00
	LF870V-LG DC	3"	0124537	098268836967	1	145	-	5,239.00
	LF870V-LG DC	4"	0124538	098268836974	1	235	-	5,410.00
	LF870V-LG DC	6"	0124539	098268836981	1	395	-	8,448.00
	LF870V-LG DC	8"	0124540	098268836998	1	640	-	16,685.00
	LF870V-LG DC	10"	0124541	098268837001	1	711	-	22,975.00

N-Pattern, NRS Shutoff Valves

LEAD FREE	LF870V-NRS DC	2 1/2"	0124542	098268837018	1	245	-	6,857.00
	LF870V-NRS DC	3"	0124543	098268837025	1	270	-	7,849.00
	LF870V-NRS DC	4"	0124544	098268837032	1	435	-	8,106.00
	LF870V-NRS DC	6"	0124545	098268837049	1	680	-	12,663.00
	LF870V-NRS DC	8"	0124546	098268837056	1	1115	-	25,019.00
	LF870V-NRS DC	10"	0124547	098268837063	1	1525	-	34,455.00

N-Pattern, OSY Shutoff Valves

LEAD FREE	LF870V-DOSY DC	2 1/2"	0683110	643925026405	1	250	-	7,314.00
	LF870V-DOSY DC	3"	0683111	643925026412	1	275	-	8,377.00
	LF870V-DOSY DC	4"	0683112	643925026429	1	445	-	8,644.00
	LF870V-DOSY DC	6"	0683113	643925026436	1	700	-	13,506.00
	LF870V-DOSY DC	8"	0683114	643925026443	1	1145	-	26,680.00
	LF870V-OSY DC	10"	0124553	098268837193	1	1565	-	36,751.00

N-Pattern, Domestic NRS Shutoffs

LEAD FREE	LF870V-DNRS DC	2 1/2"	0683116	643925026467	1	240	-	6,857.00
	LF870V-DNRS DC	3"	0683117	643925026474	1	265	-	7,849.00
	LF870V-DNRS DC	4"	0683118	643925026481	1	425	-	8,106.00
	LF870V-DNRS DC	6"	0683119	643925026498	1	670	-	12,663.00
	LF870V-DNRS DC	8"	0683120	643925026504	1	1095	-	25,019.00
	LF870V-DNRS DC	10"	0683121	643925026511	1	1525	-	34,455.00

N-Pattern, Longer Lay Length, Less Shutoff Valves

LEAD FREE	LF870W-LG	4"	88005412	643925557589	1	225	-	5,410.00
	LF870W-LG	6"	88005413	643925557909	1	386	-	8,448.00
	LF870W-LG	8"	88005400	643925559552	1	593	-	16,685.00
	LF870W-LG	10"	88005401	643925559224	1	770	-	22,975.00

N-Pattern, Longer Lay Length, NRS Shutoff Valves

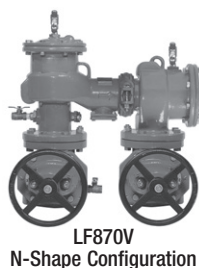
LEAD FREE	LF870W-NRS	4"	88005402	643925557558	1	425	-	8,106.00
	LF870W-NRS	6"	88005421	643925557879	1	670	-	12,663.00
	LF870W-NRS	8"	88005422	643925559569	1	1096	-	25,019.00
	LF870W-NRS	10"	88005403	643925559231	1	1586	-	34,455.00

N-Pattern, Longer Lay Length, Domestic NRS Shutoff Valves

LEAD FREE	LF870W-DNRS	4"	88005408	643925557572	1	425	-	8,106.00
	LF870W-DNRS	6"	88005415	643925557893	1	670	-	12,663.00
	LF870W-DNRS	8"	88005420	643925559613	1	1096	-	25,019.00
	LF870W-DNRS	10"	88005419	643925559200	1	1586	-	34,455.00

N-Pattern, Longer Lay Length, OSY Shutoff Valves

LEAD FREE	LF870W-DOSY	4"	88005407	643925557565	1	435	-	8,644.00
	LF870W-DOSY	6"	88005417	643925557886	1	690	-	13,506.00
	LF870W-DOSY	8"	88005414	643925559545	1	1110	-	26,680.00
	LF870W-DOSY	10"	88005416	643925559217	1	1624	-	36,751.00



LF870V
N-Shape Configuration

*The wetted surface of this product contacted by consumable water contains less than 0.25% of lead by weight.

Supersedes all other price lists / Prices subject to change / Weights are estimated

¹Grooved ends available on all OS&Y gate valves in some models and sizes. Expect larger lead times.



A WATTS Brand

Model	Size	Ordering Code	UPC	Net Content	Consumer Unit Weight (lbs)	Case Qty	Case Weight (lbs)	List Price
Double Check Valve Assemblies-Ductile Iron Body Continued								
Z-Pattern, Longer Lay Length, Less Shutoff Valves								
LF870WZ-LG	4"	88007320	643925557619	1	225	-	-	\$ 5,410.00
LF870WZ-LG	6"	88007323	643925557930	1	386	-	-	8,448.00
LF870WZ-LG	8"	88007326	643925559606	1	598	-	-	16,685.00
LF870WZ-LG	10"	88007317	643925559279	1	775	-	-	22,975.00
Z-Pattern, Longer Lay Length, Domestic NRS Shutoff Valves								
LF870WZ-DNRS	4"	88007318	643925557602	1	425	-	-	8,106.00
LF870WZ-DNRS	6"	88007321	643925557923	1	670	-	-	12,663.00
LF870WZ-DNRS	8"	88007324	643925559583	1	1101	-	-	25,019.00
LF870WZ-DNRS	10"	88007315	643925559255	1	1591	-	-	34,455.00
Z-Pattern, Longer Lay Length, OSY Shutoff Valves								
LF870WZ-DOSY	4"	88007319	643925557596	1	435	-	-	8,644.00
LF870WZ-DOSY	6"	88007322	643925557916	1	690	-	-	13,506.00
LF870WZ-DOSY	8"	88007325	643925559590	1	1115	-	-	26,680.00
LF870WZ-DOSY	10"	88007316	643925559262	1	1629	-	-	36,751.00

*The wetted surface of this product contacted by consumable water contains less than 0.25% of lead by weight.
 Supersedes all other price lists / Prices subject to change / Weights are estimated
¹Grooved ends available on all OS&Y gate valves in some models and sizes. Expect larger lead times.

DOUBLE CHECK DETECTOR VALVE ASSEMBLIES



A WATTS Brand

Model	Size	Ordering Code	UPC	Net Content	Consumer Unit Weight (lbs)	Case Qty	Case Weight (lbs)	List Price
-------	------	---------------	-----	-------------	----------------------------	----------	-------------------	------------

Double Check Detector Assemblies (Type II) Ductile Iron Body

Inline, Less Shutoff Valves

		GPM	CFM					
LEAD FREE	LF856-LF-GPM	3"	0124427	-	098268833386	1	180	\$ 6,059.00
	LF856-LF-GPM	4"	0124428	-	098268833393	1	210	6,253.00
	LF856-LF-GPM	6"	0124429	-	098268833409	1	317	9,773.00
	LF856-LF-GPM	8"	0124430	-	098268833423	1	541	19,311.00
	LF856-LF-GPM	10"	0124431	-	098268833430	1	559	26,594.00

Inline, OSY Shutoff Valves

		GPM	CFM					
LEAD FREE	LF856-DOSY-GPM	2 1/2"	0124433	0124435	098268833492	1	285	8,464.00
	LF856-DOSY-GPM	3"	0124438	0124440	098268833539	1	310	9,689.00
	LF856-DOSY-GPM	4"	0124443	0124445	098268833652	1	460	9,999.00
	LF856-DOSY-GPM	6"	0124449	0124451	098268834772	1	640	15,631.00
	LF856-DOSY-GPM	8"	0124455	0124458	098268834918	1	1045	30,888.00
	LF856-DOSY-GPM	10"	0124461	0124463	098268835281	1	1465	42,539.00

N-Pattern, OSY Shutoff Valves

		GPM	CFM					
LEAD FREE	LF876V-DOSY-GPM	2 1/2"	0124472	0124474	098268835397	1	265	9,778.00
	LF876V-DOSY-GPM	3"	0124476	0124844	098268835441	1	290	11,196.00
	LF876V-DOSY-GPM	4"	0124478	0124480	098268835489	1	460	11,549.00
	LF876V-DOSY-GPM	6"	0124483	0124485	098268835625	1	715	18,051.00
	LF876V-DOSY-GPM	8"	0124488	0124490	098268835748	1	1160	35,674.00
	LF876V-DOSY DC	10"	0124493	0124495	098268835793	1	1220	49,137.00

N-Pattern, Longer Lay Length, Less Shutoff Valves

		GPM	CFM					
LEAD FREE	LF876W-LG	4"	88007331		643925557657	1	255	7,223.00
	LF876W-LG	6"	88007338		643925557978	1	410	11,292.00
	LF876W-LG	8"	88007343		643925559422	1	605	22,304.00
	LF876W-LG	10"	88007330		643925559156	1	791	30,717.00

N-Pattern, Longer Lay Length, OSY Shutoff Valves

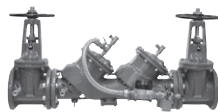
		GPM	CFM					
LEAD FREE	LF876W-DOSY	4"	88007333	88007332	643925557626	1	450	11,549.00
	LF876W-DOSY	6"	88007336	88007335	643925557947	1	705	18,051.00
	LF876W-DOSY	8"	88007340	88007339	643925559392	1	1123	35,674.00
	LF876W-DOSY	10"	88007328	88007327	643925559132	1	1641	49,137.00

Z-Pattern, Longer Lay Length, Less Shutoff Valves

		GPM	CFM					
LEAD FREE	LF876WZ-LG	4"	88007348		643925557695	1	255	7,223.00
	LF876WZ-LG	6"	88007355		643925558005	1	410	11,292.00
	LF876WZ-LG	8"	88007360		643925559477	1	610	22,304.00
	LF876WZ-LG	10"	88007347		643925559194	1	796	30,717.00

Z-Pattern, Longer Lay Length, OSY Shutoff Valves

		GPM	CFM					
LEAD FREE	LF876WZ-DOSY	4"	88007350	88007349	643925557664	1	450	11,549.00
	LF876WZ-DOSY	6"	88007353	88007352	643925558302	1	705	18,051.00
	LF876WZ-DOSY	8"	88007357	88007356	643925559446	1	1128	35,674.00
	LF876WZ-DOSY	10"	88007345	88007344	643925559170	1	1646	49,137.00



LF856DCDA-OSY



LF876VDCDA
N-Shape Configuration

*The wetted surface of this product contacted by consumable water contains less than 0.25% of lead by weight.

Supersedes all other price lists / Prices subject to change / Weights are estimated

¹Grooved ends available on all OS&Y gate valves in some models and sizes. Expect larger lead times.

REDUCED PRESSURE ZONE ASSEMBLIES



A WATTS Brand

Model	Size	Ordering Code	UPC	Net Content	Consumer Unit Weight (lbs)	Case Qty	Case Weight (lbs)	List Price
-------	------	---------------	-----	-------------	----------------------------	----------	-------------------	------------

Reduced Pressure Zone Assemblies-Bronze Body

With Quarter-Turn Shutoff Valves with Flood Sensor



825Y-QT-RP-FS	3/4"	F825DBV	643925581546	1	12.60	-	-	873.00
825Y-QT-RP-FS	1"	F825EBV	643925581553	1	13.44	-	-	921.50
825Y-QT-RP-FS	1 1/4"	F825FBV	643925581737	1	14.56	-	-	1,698.00
825Y-QT-RP-FS	1 1/2"	F825GBV	643925581744	1	30.18	-	-	1,746.00
825Y-QT-RP-FS	2"	F825HBV	643925581751	1	33.73	-	-	1,854.00



LF825Y-QT-RP-FS	3/4"	F683006	643925581584	1	12.45	-	-	1,207.00
LF825Y-QT-RP-FS	1"	F683007	643925581591	1	13.50	-	-	1,272.00
LF825Y-QT-RP-FS	1 1/4"	F683008	643925581805	1	30.50	-	-	2,343.00
LF825Y-QT-RP-FS	1 1/2"	F683009	643925581812	1	30.75	-	-	2,412.00
LF825Y-QT-RP-FS	2"	F683010	643925581829	1	33.72	-	-	2,559.00

With Angled Union Connections, Quarter-Turn Shutoff Valves with Flood Sensor

825YA-QT-RP-FS	3/4"	F825DYA	643925581560	1	14.40	-	-	1,129.00
825YA-QT-RP-FS	1"	F825EYA	643925581577	1	15.69	-	-	1,206.00
825YA-QT-RP-FS	1 1/2"	F825GYA	643925581713	1	37.07	-	-	2,179.00
825YA-QT-RP-FS	2"	F825HYA	643925581720	1	41.62	-	-	2,355.00

LF825YA-QT-RP-FS	3/4"	F683011	643925581607	1	14.47	-	-	1,563.00
LF825YA-QT-RP-FS	1"	F683012	643925581614	1	15.47	-	-	1,663.00
LF825YA-QT-RP-FS	1 1/2"	F683013	643925581782	1	35.20	-	-	3,010.00
LF825YA-QT-RP-FS	2"	F683014	643925581799	1	39.71	-	-	3,261.00

Reduced Pressure Zone Assemblies-Ductile Iron Body

With Quarter-Turn Shutoff Valves with Flood Sensor



860-QT-RP-FS	3/4"	F1312	643925581621	1	6.44	-	-	837.50
860-QT-RP-FS	1"	F1313	643925581638	1	8.76	-	-	892.00
860-QT-RP-FS	1 1/2"	F1315	643925581768	1	21.80	-	-	1,819.00
860-QT-RP-FS	2"	F1316	643925581775	1	25.74	-	-	1,933.00

LF860-QT-RP-FS	1/2"	F683000	643925581669	1	5.89	-	-	996.00
LF860-QT-RP-FS	3/4"	F683001	643925581676	1	6.44	-	-	1,040.00
LF860-QT-RP-FS	1"	F683002	643925581683	1	8.76	-	-	1,108.00
LF860-QT-RP-FS	1 1/4"	F683003	643925581850	1	18.96	-	-	2,125.00
LF860-QT-RP-FS	1 1/2"	F683004	643925581867	1	21.80	-	-	2,267.00
LF860-QT-RP-FS	2"	F683005	643925581874	1	25.74	-	-	2,412.00

With Union Connections, Quarter-Turn Shutoff Valves with Flood Sensor

860U-QT-RP-FS	3/4"	F2812	643925581645	1	7.27	-	-	1,090.00
860U-QT-RP-FS	1"	F2813	643925581652	1	10.04	-	-	1,193.00
LF860U-QT-RP-FS	1 1/2"	F122973	643925581836	1	25.90	-	-	2,743.00
LF860U-QT-RP-FS	2"	F122974	643925581843	1	31.30	-	-	2,914.00

Replacement Kits

Ordering Code	Kit No.	Description	List price
Sensor Replacement Kit for 860 Small, LF860 Small sizes 1/2" - 3/4"			
88009479	FP-FBF-SA-860-1/2-3/4	Flood Sensor Replacement	12.75
Sensor Replacement Kit for 860 Small, LF860 Small sizes 1" - 2"			
88009480	FP-FBF-SA-860-1-2	Flood Sensor Replacement	14.00
Sensor Replacement Kit for 825Y, LF825Y, 825YA, LF825YA sizes 3/4" - 1"			
88009481	FP-FBF-SA-825-3/4-1	Flood Sensor Replacement	14.00
Sensor Replacement Kit for 825Y, LF825Y, 825YA, LF825YA sizes 1 1/4" - 2"			
88009482	FP-FBF-SA-FMS-2 1/2-10	Flood Sensor Replacement	132.50

*The wetted surface of this product contacted by consumable water contains less than 0.25% of lead by weight.

Supersedes all other price lists / Prices subject to change / Weights are estimated

1 Grooved ends available on all OS&Y gate valves in some models and sizes. Expect larger lead times.

REDUCED PRESSURE ZONE ASSEMBLIES



A WATTS Brand

Model	Size	Ordering Code	UPC	Net Content	Consumer Unit Weight (lbs)	Case Qty	Case Weight (lbs)	List Price
-------	------	---------------	-----	-------------	----------------------------	----------	-------------------	------------

Reduced Pressure Zone Assemblies-Ductile Iron Body

Inline, Less Shutoff Valves with Flood Sensor

LEAD FREE	Model	Size	Ordering Code	UPC	Net Content	Consumer Unit Weight (lbs)	Case Qty	Case Weight (lbs)	List Price
	LF860-LG-FS	2 1/2"	F122926	643925577266	1	193.00	-	-	5,883.00
	LF860-LG-FS	3"	F122927	643925577259	1	192.00	-	-	6,833.00
	LF860-LG-FS	4"	F122928	643925577273	1	255.00	-	-	7,563.00
	LF860-LG-FS	6"	F122929	643925577280	1	351.00	-	-	12,026.00
	LF860-LG-FS	8"	F122930	643925577297	1	544.00	-	-	21,047.00
	LF860-LG-FS	10"	F122931	643925577334	1	626.00	-	-	28,676.00

Inline, NRS Shutoff Valves with Flood Sensor

LEAD FREE	Model	Size	Ordering Code	UPC	Net Content	Consumer Unit Weight (lbs)	Case Qty	Case Weight (lbs)	List Price
	LF860-NRS-FS	2 1/2"	F122932	643925577303	1	295.00	-	-	8,813.00
	LF860-NRS-FS	3"	F122933	643925577310	1	320.00	-	-	10,248.00
	LF860-NRS-FS	4"	F122934	643925577327	1	465.00	-	-	11,337.00
	LF860-NRS-FS	6"	F122935	643925577341	1	645.00	-	-	18,030.00
	LF860-NRS-FS	8"	F122936	643925577358	1	1040.00	-	-	31,562.00
	LF860-NRS-FS	10"	F122937	643925577365	1	1440.00	-	-	43,007.00

Inline, Domestic NRS Shutoff Valves with Flood Sensor

LEAD FREE	Model	Size	Ordering Code	UPC	Net Content	Consumer Unit Weight (lbs)	Case Qty	Case Weight (lbs)	List Price
	LF860-DNRS-FS	2 1/2"	F683104	643925577679	1	290.00	-	-	8,813.00
	LF860-DNRS-FS	3"	F683105	643925577686	1	315.00	-	-	10,248.00
	LF860-DNRS-FS	4"	F683106	643925577693	1	455.00	-	-	11,337.00
	LF860-DNRS-FS	6"	F683107	643925577709	1	635.00	-	-	18,030.00
	LF860-DNRS-FS	8"	F683108	643925577716	1	1020.00	-	-	31,562.00
	LF860-DNRS-FS	10"	F683109	643925577723	1	1440.00	-	-	43,007.00

Inline, OSY Shutoff Valves with Flood Sensor

LEAD FREE	Model	Size	Ordering Code	UPC	Net Content	Consumer Unit Weight (lbs)	Case Qty	Case Weight (lbs)	List Price
	LF860-OSY-FS	2 1/2"	F122939	643925577372	1	295.00	-	-	9,404.00
	LF860-OSY-FS	3"	F122940	643925577389	1	320.00	-	-	10,927.00
	LF860-OSY-FS	4"	F122941	643925577396	1	475.00	-	-	12,091.00
	LF860-OSY-FS	6"	F122942	643925577402	1	665.00	-	-	19,228.00
	LF860-OSY-FS	8"	F122943	643925577419	1	1050.00	-	-	33,662.00
	LF860-OSY-FS	10"	F122944	643925577426	1	1480.00	-	-	45,872.00

Inline, Domestic OSY Shutoff Valves with Flood Sensor

LEAD FREE	Model	Size	Ordering Code	UPC	Net Content	Consumer Unit Weight (lbs)	Case Qty	Case Weight (lbs)	List Price
	LF860-DOSY-FS	2 1/2"	F683098	643925577617	1	295.00	-	-	9,404.00
	LF860-DOSY-FS	3"	F683099	643925577624	1	320.00	-	-	10,927.00
	LF860-DOSY-FS	4"	F683100	643925577631	1	465.00	-	-	12,091.00
	LF860-DOSY-FS	6"	F683101	643925577648	1	655.00	-	-	19,228.00
	LF860-DOSY-FS	8"	F683102	643925577655	1	1050.00	-	-	33,662.00
	LF860-DOSY-FS	10"	F683103	643925577662	1	1480.00	-	-	45,872.00

N-Pattern, Less Shutoff Valves with Flood Sensor

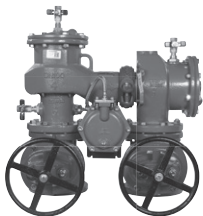
LEAD FREE	Model	Size	Ordering Code	UPC	Net Content	Consumer Unit Weight (lbs)	Case Qty	Case Weight (lbs)	List Price
	LF880V-LG-FS	2 1/2"	F122945	643925577433	1	163.00	-	-	6,388.00
	LF880V-LG-FS	3"	F122946	643925577440	1	162.00	-	-	7,430.00
	LF880V-LG-FS	4"	F122947	643925577457	1	255.00	-	-	8,210.00
	LF880V-LG-FS	6"	F122948	643925577464	1	406.00	-	-	13,063.00
	LF880V-LG-FS	8"	F122949	643925577471	1	639.00	-	-	22,862.00
	LF880V-LG-FS	10"	F122950	643925577488	1	731.00	-	-	31,156.00

N-Pattern, NRS Shutoff Valves with Flood Sensor

LEAD FREE	Model	Size	Ordering Code	UPC	Net Content	Consumer Unit Weight (lbs)	Case Qty	Case Weight (lbs)	List Price
	LF880V-NRS-FS	2 1/2"	F122951	643925577495	1	265.00	-	-	9,579.00
	LF880V-NRS-FS	3"	F122952	643925577501	1	290.00	-	-	11,136.00
	LF880V-NRS-FS	4"	F122953	643925577518	1	425.00	-	-	12,315.00
	LF880V-NRS-FS	6"	F122954	643925577525	1	700.00	-	-	19,594.00
	LF880V-NRS-FS	8"	F122955	643925577532	1	1135.00	-	-	34,291.00
	LF880V-NRS-FS	10"	F122956	643925577549	1	1545.00	-	-	46,731.00



LF860-OSY-FS



LF880V-FS-NRS

*The wetted surface of this product contacted by consumable water contains less than 0.25% of lead by weight.

Supersedes all other price lists / Prices subject to change / Weights are estimated

¹Grooved ends available on all OS&Y gate valves in some models and sizes. Expect larger lead times.

REDUCED PRESSURE ZONE ASSEMBLIES



A WATTS Brand

Model	Size	Ordering Code	UPC	Net Con-tent	Consumer Unit Weight (lbs)	Case Qty	Case Weight (lbs)	List Price
-------	------	---------------	-----	--------------	----------------------------	----------	-------------------	------------

Reduced Pressure Zone Assemblies-Bronze Body

N-Pattern, Domestic OSY Shutoff Valves with Flood Sensor

Model	Size	Ordering Code	UPC	Net Con-tent	Consumer Unit Weight (lbs)	Case Qty	Case Weight (lbs)	List Price
LF880V-DOSY-FS	2 1/2	F683134	643925577730	1	265.00	-	-	10,217.00
LF880V-DOSY-FS	3	F683135	643925577747	1	290.00	-	-	11,874.00
LF880V-DOSY-FS	4	F683136	643925577754	1	455.00	-	-	13,133.00
LF880V-DOSY-FS	6	F683137	643925577761	1	710.00	-	-	20,895.00
LF880V-DOSY-FS	8	F683138	643925577778	1	1145.00	-	-	36,577.00
LF880V-DOSY-FS	10	F683139	643925577785	1	1585.00	-	-	49,841.00

N-Pattern, OSY Shutoff Valves with Flood Sensor

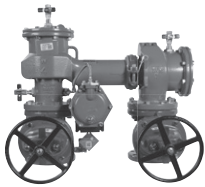
Model	Size	Ordering Code	UPC	Net Con-tent	Consumer Unit Weight (lbs)	Case Qty	Case Weight (lbs)	List Price
LF880V-OSY-FS	2 1/2	F122957	643925577556	1	270.00	-	-	10,217.00
LF880V-OSY-FS	3	F122958	643925577563	1	395.00	-	-	11,874.00
LF880V-OSY-FS	4	F122959	643925577570	1	465.00	-	-	13,133.00
LF880V-OSY-FS	6	F122960	643925577587	1	720.00	-	-	20,895.00
LF880V-OSY-FS	8	F122961	643925577594	1	1165.00	-	-	36,577.00
LF880V-OSY-FS	10	F122962	643925577600	1	1585.00	-	-	49,841.00

N-Pattern, Domestic NRS Shutoff Valves with Flood Sensor

Model	Size	Ordering Code	UPC	Net Con-tent	Consumer Unit Weight (lbs)	Case Qty	Case Weight (lbs)	List Price
LF880V-DNRS-FS	2 1/2	F683140	643925577792	1	260.00	-	-	9,579.00
LF880V-DNRS-FS	3	F683141	643925577808	1	285.00	-	-	11,136.00
LF880V-DNRS-FS	4	F683142	643925577815	1	445.00	-	-	12,315.00
LF880V-DNRS-FS	6	F683143	643925577822	1	690.00	-	-	19,594.00
LF880V-DNRS-FS	8	F683144	643925577839	1	1115.00	-	-	34,291.00
LF880V-DNRS-FS	10	F683145	643925577846	1	1545.00	-	-	46,726.00

N-Pattern, Longer Lay Length, Less Shutoff Valves with Flood Sensor

Model	Size	Ordering Code	UPC	Net Con-tent	Consumer Unit Weight (lbs)	Case Qty	Case Weight (lbs)	List Price
LF880W-LG-FS	4	F8007366	643925578850	1	255.00	-	-	8,210.00
LF880W-LG-FS	6	F8007369	643925578881	1	406.00	-	-	13,063.00
LF880W-LG-FS	8	F8007372	643925578904	1	618.00	-	-	22,862.00
LF880W-LG-FS	10	F8007363	643925579444	1	796.00	-	-	31,156.00



LF880W-FS

Sensor Kits

Ordering Code	Kit No.	Description	List price
---------------	---------	-------------	------------

Sensor Connection Kits, for FEBCO MasterSeries sizes 2½" - 10"

88009414	FP-FBF-BMS-2.5-10	BMS Sensor Connection Kit	752.50
88009416	FP-FBF-CFS-2.5-10	Cellular Sensor Connection Kit	1,882.00

Sensor Retrofit Connection Kits, for FEBCO MasterSeries sizes 2½" - 10"

88009415	FP-RFK-FBF-BMS-CFS-2.5-10	BMS Sensor Retrofit Connection Kit	940.50
88009417	FP-RFK-FBF-CFS-2.5-10	Cellular Sensor Retrofit Connection Kit	1,882.00



LF880W-FS

Replacement Kits

Ordering Code	Kit No.	Description	List price
---------------	---------	-------------	------------

Sensor Replacement Kit for MasterSeries LF860 Large, 866, 880V sizes 2½" - 10"

88009475	FP-FBF-SA-FMS-2 1/2-10	Flood Sensor Replacement	752.50
----------	------------------------	--------------------------	--------

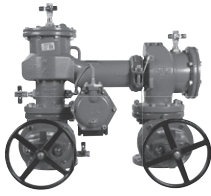
*The wetted surface of this product contacted by consumable water contains less than 0.25% of lead by weight. Supersedes all other price lists / Prices subject to change / Weights are estimated

¹Grooved ends available on all OS&Y gate valves in some models and sizes. Expect larger lead times.

REDUCED PRESSURE ZONE ASSEMBLIES



A WATTS Brand



LF880W-FS-DNRS

Model	Size	Ordering Code	UPC	Net Content	Consumer Unit Weight (lbs)	Case Qty	Case Weight (lbs)	List Price
-------	------	---------------	-----	-------------	----------------------------	----------	-------------------	------------

Reduced Pressure Zone Assemblies-Ductile Iron Body

N-Pattern, Longer Lay Length, Domestic NRS Shutoff Valves with Flood Sensor

LEAD FREE	LF880W-DNRS-FS	4	F8007364	643925578836	1	445.00	-	-	12,315.00
	LF880W-DNRS-FS	6	F8007367	643925578867	1	690.00	-	-	19,594.00
	LF880W-DNRS-FS	10	F8007361	643925578812	1	1612.00	-	-	46,726.00

N-Pattern, Longer Lay Length, Domestic OSY Shutoff Valves with Flood Sensor

LEAD FREE	LF880W-DOSY-FS	4	F8007365	643925578843	1	455.00	-	-	13,133.00
	LF880W-DOSY-FS	6	F8007368	643925578874	1	710.00	-	-	20,895.00
	LF880W-DOSY-FS	8	F8007371	643925578898	1	1135.00	-	-	36,577.00
	LF880W-DOSY-FS	10	F8007362	643925578829	1	1650.00	-	-	49,841.00

Z-Pattern, Longer Lay Length, Less Shutoff Valves with Flood Sensor

LEAD FREE	LF880WZ-LG-FS	4	F8007378	643925578966	1	255.00	-	-	8,210.00
	LF880WZ-LG-FS	6	F8007381	643925578997	1	406.00	-	-	13,063.00
	LF880WZ-LG-FS	8	F8007384	643925579024	1	618.00	-	-	22,862.00
	LF880WZ-LG-FS	10	F8007375	643925578935	1	801.00	-	-	31,156.00

Z-Pattern, Longer Lay Length, Domestic NRS Shutoff Valves with Flood Sensor

LEAD FREE	LF880WZ-DNRS-FS	4	F8007376	643925578942	1	445.00	-	-	12,315.00
	LF880WZ-DNRS-FS	6	F8007379	643925578973	1	690.00	-	-	19,594.00
	LF880WZ-DNRS-FS	8	F8007382	643925579000	1	1121.00	-	-	34,291.00
	LF880WZ-DNRS-FS	10	F8007373	643925578911	1	1617.00	-	-	46,726.00

Z-Pattern, Longer Lay Length, Domestic OSY Shutoff Valves with Flood Sensor

LEAD FREE	LF880WZ-DOSY-FS	4	F8007377	643925578959	1	455.00	-	-	13,133.00
	LF880WZ-DOSY-FS	6	F8007380	643925578980	1	710.00	-	-	20,895.00
	LF880WZ-DOSY-FS	8	F8007383	643925579017	1	1135.00	-	-	36,577.00
	LF880WZ-DOSY-FS	10	F8007374	643925578928	1	1655.00	-	-	49,841.00

*The wetted surface of this product contacted by consumable water contains less than 0.25% of lead by weight.

Supersedes all other price lists / Prices subject to change / Weights are estimated

¹Grooved ends available on all OS&Y gate valves in some models and sizes. Expect larger lead times.

REDUCED PRESSURE DETECTOR ASSEMBLIES



A WATTS Brand

Model	Size	Ordering Code	UPC	Net Content	Consumer Unit Weight (lbs)	Case Qty	Case Weight (lbs)	List Price
-------	------	---------------	-----	-------------	----------------------------	----------	-------------------	------------

Reduced Pressure Detector Assemblies (Type II) Ductile Iron Body

Inline Pattern Less Shutoff Valves with Flood Sensor



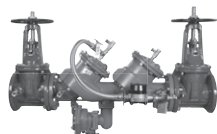
LF866-LG-GPM-FS

LF866-LG-GPM-FS	2 1/2	F683150	643925577853	1	172.00	-	-	6,977.00
LF866-LG-GPM-FS	3	F683151	643925577860	1	187.00	-	-	8,113.00
LF866-LG-GPM-FS	4	F683152	643925577877	1	154.00	-	-	8,976.00
LF866-LG-GPM-FS	6	F683153	643925577884	1	235.00	-	-	14,274.00
LF866-LG-GPM-FS	8	F683154	643925577891	1	350.00	-	-	24,987.00
LF866-LG-GPM-FS	10	F683155	643925577907	1	386.00	-	-	34,042.00
LF866-LG-CFM-FS	2 1/2	F683156	643925577914	1	172.00	-	-	6,977.00
LF866-LG-CFM-FS	3	F683157	643925577921	1	187.00	-	-	8,113.00
LF866-LG-CFM-FS	4	F683158	643925577938	1	154.00	-	-	8,976.00
LF866-LG-CFM-FS	6	F683159	643925577945	1	235.00	-	-	14,274.00
LF866-LG-CFM-FS	8	F683160	643925577952	1	350.00	-	-	24,987.00
LF866-LG-CFM-FS	10	F683161	643925577969	1	386.00	-	-	34,042.00

Inline Pattern, Domestic OSY Shutoff Valves with Flood Sensor

LF866-DOSY-GPM-FS	2 1/2	F683162	643925577976	1	218.00	-	-	11,157.00
LF866-DOSY-GPM-FS	3	F683164	643925577990	1	245.00	-	-	12,975.00
LF866-DOSY-GPM-FS	4	F683166	643925578010	1	324.00	-	-	14,349.00
LF866-DOSY-GPM-FS	6	F683168	643925578034	1	520.00	-	-	22,832.00
LF866-DOSY-GPM-FS	8	F683170	643925578058	1	835.00	-	-	39,965.00
LF866-DOSY-GPM-FS	10	F683172	643925578072	1	1240.00	-	-	54,460.00
LF866-DOSY-CFM-FS	2 1/2	F683163	643925577983	1	218.00	-	-	11,157.00
LF866-DOSY-CFM-FS	3	F683165	643925578003	1	245.00	-	-	12,975.00
LF866-DOSY-CFM-FS	4	F683167	643925578027	1	324.00	-	-	14,349.00
LF866-DOSY-CFM-FS	6	F683169	643925578041	1	520.00	-	-	22,832.00
LF866-DOSY-CFM-FS	8	F683171	643925578065	1	835.00	-	-	39,965.00
LF866-DOSY-CFM-FS	10	F683173	643925578089	1	1240.00	-	-	54,460.00

Inline Pattern, OSY Shutoff Valves with Flood Sensor



LF866-OSY-GPM-FS

LF866-OSY-GPM-FS	2 1/2	F683174	643925578096	1	218.00	-	-	11,157.00
LF866-OSY-GPM-FS	3	F683176	643925578119	1	245.00	-	-	12,975.00
LF866-OSY-GPM-FS	4	F683178	643925578133	1	324.00	-	-	14,349.00
LF866-OSY-GPM-FS	6	F683180	643925578157	1	520.00	-	-	22,832.00
LF866-OSY-GPM-FS	8	F683182	643925578171	1	835.00	-	-	39,965.00
LF866-OSY-GPM-FS	10	F683184	643925578195	1	1240.00	-	-	54,460.00
LF866-OSY-CFM-FS	2 1/2	F683175	643925578102	1	218.00	-	-	11,157.00
LF866-OSY-CFM-FS	3	F683177	643925578126	1	245.00	-	-	12,975.00
LF866-OSY-CFM-FS	4	F683179	643925578140	1	324.00	-	-	14,349.00
LF866-OSY-CFM-FS	6	F683181	643925578164	1	520.00	-	-	22,832.00
LF866-OSY-CFM-FS	8	F683183	643925578188	1	835.00	-	-	39,965.00
LF866-OSY-CFM-FS	10	F683185	643925578201	1	1240.00	-	-	54,460.00

Inline Pattern, Domestic OSY Shutoff Valves, Less Meter with Flood Sensor



LF866-DOSY-LM-FS

LF866-DOSY-LM-FS	2 1/2	F683186	643925578218	1	218.00	-	-	11,097.00
LF866-DOSY-LM-FS	3	F683187	643925578225	1	245.00	-	-	12,913.00
LF866-DOSY-LM-FS	4	F683188	643925578232	1	324.00	-	-	14,286.00
LF866-DOSY-LM-FS	6	F683189	643925578249	1	520.00	-	-	22,766.00
LF866-DOSY-LM-FS	8	F683190	643925578256	1	835.00	-	-	39,901.00
LF866-DOSY-LM-FS	10	F683191	643925578263	1	1240.00	-	-	54,400.00

Inline Pattern, OSY Shutoff Valves, Less Meter with Flood Sensor

LF866-OSY-LM-FS	2 1/2	F683192	643925578270	1	218.00	-	-	11,097.00
LF866-OSY-LM-FS	3	F683193	643925578287	1	245.00	-	-	12,913.00
LF866-OSY-LM-FS	4	F683194	643925578294	1	324.00	-	-	14,286.00
LF866-OSY-LM-FS	6	F683195	643925578300	1	520.00	-	-	22,766.00
LF866-OSY-LM-FS	8	F683196	643925578317	1	835.00	-	-	39,901.00
LF866-OSY-LM-FS	10	F683197	643925578324	1	1240.00	-	-	54,400.00

REDUCED PRESSURE DETECTOR ASSEMBLIES



A WATTS Brand

Model	Size	Ordering Code	UPC	Net Content	Consumer Unit Weight (lbs)	Case Qty	Case Weight (lbs)	List Price
-------	------	---------------	-----	-------------	----------------------------	----------	-------------------	------------

Reduced Pressure Detector Assemblies (Type II) Ductile Iron Body

N-Pattern, OSY Shutoff Valves with Flood Sensor

LF886V-OSY-GPM-FS	2 1/2	F683222	643925578577	1	240.00	-	-	11,686.00
LF886V-OSY-GPM-FS	3	F683224	643925578591	1	267.00	-	-	13,590.00
LF886V-OSY-GPM-FS	4	F683226	643925578614	1	342.00	-	-	15,033.00
LF886V-OSY-GPM-FS	6	F683228	643925578638	1	530.00	-	-	23,914.00
LF886V-OSY-GPM-FS	8	F683230	643925578652	1	846.00	-	-	41,866.00
LF886V-OSY-GPM-FS	10	F683232	643925578676	1	1363.00	-	-	57,055.00
LF886V-OSY-CFM-FS	2 1/2	F683223	643925578584	1	240.00	-	-	11,686.00
LF886V-OSY-CFM-FS	3	F683225	643925578607	1	267.00	-	-	13,590.00
LF886V-OSY-CFM-FS	4	F683227	643925578621	1	342.00	-	-	15,033.00
LF886V-OSY-CFM-FS	6	F683229	643925578645	1	530.00	-	-	23,914.00
LF886V-OSY-CFM-FS	8	F683231	643925578669	1	846.00	-	-	41,866.00
LF886V-OSY-CFM-FS	10	F683233	643925578683	1	1363.00	-	-	57,055.00

N-Pattern, Domestic OSY Shutoff Valves with Flood Sensor

LF886V-DOSY-GPM-FS	2 1/2	F683210	643925578454	1	240.00	-	-	11,686.00
LF886V-DOSY-GPM-FS	3	F683212	643925578478	1	267.00	-	-	13,590.00
LF886V-DOSY-GPM-FS	4	F683214	643925578492	1	342.00	-	-	15,033.00
LF886V-DOSY-GPM-FS	6	F683216	643925578515	1	530.00	-	-	23,914.00
LF886V-DOSY-GPM-FS	8	F683218	643925578539	1	846.00	-	-	41,866.00
LF886V-DOSY-GPM-FS	10	F683220	643925578553	1	1363.00	-	-	57,055.00
LF886V-DOSY-CFM-FS	2 1/2	F683211	643925578461	1	240.00	-	-	11,686.00
LF886V-DOSY-CFM-FS	3	F683213	643925578485	1	267.00	-	-	13,590.00
LF886V-DOSY-CFM-FS	4	F683215	643925578508	1	342.00	-	-	15,033.00
LF886V-DOSY-CFM-FS	6	F683217	643925578522	1	530.00	-	-	23,914.00
LF886V-DOSY-CFM-FS	8	F683219	643925578546	1	846.00	-	-	41,866.00
LF886V-DOSY-CFM-FS	10	F683221	643925578560	1	1363.00	-	-	57,055.00

N-Pattern, Domestic OSY Shutoff Valves with Flood Sensor

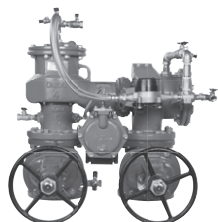
LF886V-OSY-LM-FS	2 1/2	F683240	643925578751	1	240.00	-	-	11,629.00
LF886V-OSY-LM-FS	3	F683241	643925578768	1	267.00	-	-	13,532.00
LF886V-OSY-LM-FS	4	F683242	643925578775	1	342.00	-	-	14,975.00
LF886V-OSY-LM-FS	6	F683243	643925578782	1	530.00	-	-	23,858.00
LF886V-OSY-LM-FS	8	F683244	643925578799	1	846.00	-	-	41,807.00
LF886V-OSY-LM-FS	10	F683245	643925578805	1	1363.00	-	-	56,997.00

N-Pattern, Domestic OSY Shutoff Valves, Less Meter with Flood Sensor

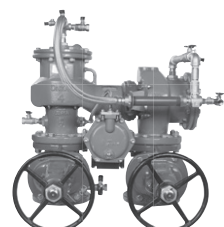
LF886V-DOSY-LM-FS	2 1/2	F683234	643925578690	1	240.00	-	-	11,629.00
LF886V-DOSY-LM-FS	3	F683235	643925578706	1	267.00	-	-	13,532.00
LF886V-DOSY-LM-FS	4	F683236	643925578713	1	342.00	-	-	14,975.00
LF886V-DOSY-LM-FS	6	F683237	643925578720	1	530.00	-	-	23,858.00
LF886V-DOSY-LM-FS	8	F683238	643925578737	1	846.00	-	-	41,807.00
LF886V-DOSY-LM-FS	10	F683239	643925578744	1	1363.00	-	-	56,997.00

N-Pattern, Less Shutoff Valves, with Meter with Flood Sensor

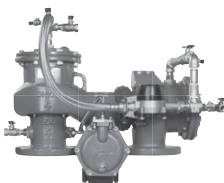
LF886V-LG-GPM-FS	2 1/2	F683198	643925578331	1	194.00	-	-	7,311.00
LF886V-LG-GPM-FS	3	F683199	643925578348	1	209.00	-	-	8,499.00
LF886V-LG-GPM-FS	4	F683200	643925578355	1	172.00	-	-	9,401.00
LF886V-LG-GPM-FS	6	F683201	643925578362	1	245.00	-	-	14,950.00
LF886V-LG-GPM-FS	8	F683202	643925578379	1	361.00	-	-	26,172.00
LF886V-LG-GPM-FS	10	F683203	643925578386	1	513.00	-	-	35,661.00
LF886V-LG-CFM-FS	2 1/2	F683204	643925578393	1	194.00	-	-	7,311.00
LF886V-LG-CFM-FS	3	F683205	643925578409	1	209.00	-	-	8,499.00
LF886V-LG-CFM-FS	4	F683206	643925578416	1	172.00	-	-	9,401.00
LF886V-LG-CFM-FS	6	F683207	643925578423	1	245.00	-	-	14,950.00
LF886V-LG-CFM-FS	8	F683208	643925578430	1	361.00	-	-	26,172.00
LF886V-LG-CFM-FS	10	F683209	643925578447	1	513.00	-	-	35,661.00



LF886V-DOSY-CFM-FS



LF886V-DOSY-LM-FS



LF886V-LG-GPM-FS

*The wetted surface of this product contacted by consumable water contains less than 0.25% of lead by weight.

Supersedes all other price lists / Prices subject to change / Weights are estimated

†Grooved ends available on all OS&Y gate valves in some models and sizes. Expect larger lead times.

REDUCED PRESSURE DETECTOR ASSEMBLIES



A WATTS Brand

Model	Size	Ordering Code	UPC	Net Content	Consumer Unit Weight (lbs)	Case Qty	Case Weight (lbs)	List Price
-------	------	---------------	-----	-------------	----------------------------	----------	-------------------	------------

Reduced Pressure Detector Assemblies (Type II) Ductile Iron Body

N-Pattern, Longer Lay Length, Less Shutoff Valves with Flood Sensor

LEAD FREE	LF886W-LG-GPM-FS	4	F8007394	643925579123	1	172.00	-	9,401.00
	LF886W-LG-GPM-FS	6	F8007399	643925579178	1	245.00	-	14,950.00
	LF886W-LG-GPM-FS	8	F8007404	643925579222	1	658.00	-	26,172.00
	LF886W-LG-GPM-FS	10	F8007389	643925579079	1	987.00	-	35,661.00
	LF886W-LG-CFM-FS	4	F8007393	643925579116	1	172.00	-	9,401.00
	LF886W-LG-CFM-FS	6	F8007398	643925579161	1	245.00	-	14,950.00
	LF886W-LG-CFM-FS	8	F8007403	643925579215	1	658.00	-	26,172.00
	LF886W-LG-CFM-FS	10	F8007388	643925579062	1	987.00	-	35,661.00

N-Pattern, Longer Lay Length, Domestic OSY Shutoff Valves with Flood Sensor

LEAD FREE	LF886W-DOSY-GPM-FS	4	F8007391	643925579093	1	342.00	-	15,033.00
	LF886W-DOSY-GPM-FS	6	F8007396	643925579147	1	530.00	-	23,914.00
	LF886W-DOSY-GPM-FS	8	F8007401	643925579192	1	1143.00	-	41,866.00
	LF886W-DOSY-GPM-FS	10	F8007386	643925579048	1	987.00	-	57,055.00
	LF886W-DOSY-CFM-FS	4	F8007390	643925579086	1	342.00	-	15,033.00
	LF886W-DOSY-CFM-FS	6	F8007395	643925579130	1	530.00	-	23,914.00
	LF886W-DOSY-CFM-FS	8	F8007400	643925579185	1	1143.00	-	41,866.00
	LF886W-DOSY-CFM-FS	10	F8007385	643925579031	1	987.00	-	57,055.00

N-Pattern, Longer Lay Length, Domestic OSY Shutoff Valves, Less Meter with Flood Sensor

LEAD FREE	LF886W-DOSY-LM-FS	4	F8007392	643925579109	1	342.00	-	14,975.00
	LF886W-DOSY-LM-FS	6	F8007397	643925579154	1	530.00	-	23,858.00
	LF886W-DOSY-LM-FS	8	F8007402	643925579208	1	1143.00	-	41,807.00
	LF886W-DOSY-LM-FS	10	F8007387	643925579055	1	987.00	-	56,997.00

Z-Pattern, Longer Lay Length, Less Shutoff Valves with Flood Sensor

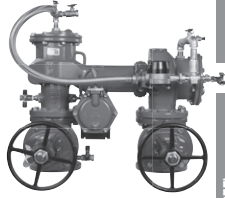
LEAD FREE	LF886WZ-LG-GPM-FS	4	F8007414	643925579321	1	172.00	-	9,401.00
	LF886WZ-LG-GPM-FS	6	F8007419	643925579376	1	245.00	-	14,950.00
	LF886WZ-LG-GPM-FS	8	F8007424	643925579420	1	662.00	-	26,172.00
	LF886WZ-LG-GPM-FS	10	F8007409	643925579277	1	987.00	-	35,661.00
	LF886WZ-LG-CFM-FS	4	F8007413	643925579314	1	172.00	-	9,401.00
	LF886WZ-LG-CFM-FS	6	F8007418	643925579369	1	245.00	-	14,950.00
	LF886WZ-LG-CFM-FS	8	F8007423	643925579413	1	662.00	-	26,172.00
	LF886WZ-LG-CFM-FS	10	F8007408	643925579260	1	987.00	-	35,661.00

Z-Pattern, Longer Lay Length, Domestic OSY Shutoff Valves with Flood Sensor

LEAD FREE	LF886WZ-DOSY-GPM-FS	4	F8007411	643925579291	1	342.00	-	15,033.00
	LF886WZ-DOSY-GPM-FS	6	F8007416	643925579345	1	530.00	-	23,914.00
	LF886WZ-DOSY-GPM-FS	8	F8007421	643925579390	1	1147.00	-	41,866.00
	LF886WZ-DOSY-GPM-FS	10	F8007406	643925579246	1	987.00	-	57,055.00
	LF886WZ-DOSY-CFM-FS	4	F8007410	643925579284	1	342.00	-	15,033.00
	LF886WZ-DOSY-CFM-FS	6	F8007415	643925579338	1	530.00	-	23,914.00
	LF886WZ-DOSY-CFM-FS	8	F8007420	643925579383	1	1147.00	-	41,866.00
	LF886WZ-DOSY-CFM-FS	10	F8007405	643925579239	1	987.00	-	57,055.00

Z-Pattern, Longer Lay Length, Domestic OSY Shutoff Valves, Less Meter with Flood Sensor

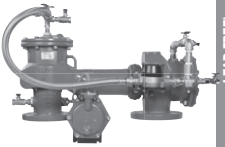
LEAD FREE	LF886WZ-DOSY-LM-FS	4	F8007412	643925579307	1	342.00	-	14,975.00
	LF886WZ-DOSY-LM-FS	6	F8007417	643925579352	1	530.00	-	23,858.00
	LF886WZ-DOSY-LM-FS	8	F8007422	643925579406	1	1147.00	-	41,807.00
	LF886WZ-DOSY-LM-FS	10	F8007407	643925579253	1	987.00	-	56,997.00



LF886W-OSY-GPM



LF886W-OSY-GPM



LF886WZ-LG-CFM-FS

*The wetted surface of this product contacted by consumable water contains less than 0.25% of lead by weight.

Supersedes all other price lists / Prices subject to change / Weights are estimated

¹Grooved ends available on all OS&Y gate valves in some models and sizes. Expect larger lead times.

VACUUM BREAKERS



A WATTS Brand

Model	Size	Ordering Code	UPC	Net Content	Consumer Unit Weight (lbs)	Case Qty	Case Weight (lbs)	List Price
-------	------	---------------	-----	-------------	----------------------------	----------	-------------------	------------

Atmospheric Vacuum Breaker

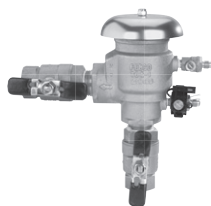
715A AVB	3/4"	715D	643925001051	1	1.39	-	-	\$ 170.50
710A AVB	1"	710E	643925000948	1	2.12	-	-	222.50
710A AVB	1 1/4"	710F	643925000962	1	3.49	-	-	364.50
710A AVB	1 1/2"	710G	643925000986	1	5.84	-	-	388.50
710A AVB	2"	710H	643925001006	1	6	-	-	517.50



710/715 AVB

Pressure Vacuum Breaker with Quarter-Turn Shutoffs and Freeze Sensor

765-QT-FZ PVB	1/2"	T765CBV	643925584400	1	2.74	-	-	343.00
765-QT-FZ PVB	3/4"	T765DBV	643925584417	1	3.23	-	-	350.00
765-QT-FZ PVB	1"	T765EBV	643925582987	1	6.24	-	-	393.00
765-QT-FZ PVB	1 1/4"	T765FBV	643925582994	1	7.59	-	-	1,164.00
765-QT-FZ PVB	1 1/2"	T765GBV	643925583007	1	18	-	-	1,278.00
765-QT-FZ PVB	2"	T765HBV	643925582888	1	22.64	-	-	1,421.00



765-QT-FZ-PVB

Pressure Vacuum Breaker w/Union Connections, Quarter-Turn Shutoffs and Freeze Sensor

U765-QT-FZ PVB	3/4"	T765DUB	643925584431	1	4	-	-	393.00
U765-QT-FZ PVB	1"	T765EUB	643925582864	1	7.14	-	-	451.50
U765-QT-FZ PVB	1 1/2"	T765GUB	643925582871	1	23.63	-	-	1,460.00
U765-QT-FZ PVB	2"	T765HUB	643925582895	1	25.83	-	-	1,639.00

Freeze Resistant Pressure Vacuum Breaker with Quarter-Turn Shutoffs

LF767FR PVB	1/2"	0683027	098268455489	1	3.3	-	-	855.00
LF767FR PVB	3/4"	0683028	098268455496	1	4.1	-	-	855.00
LF767FR PVB	1"	0683029	098268455502	1	5.9	-	-	865.50
LF767FR PVB	1 1/4"	0683030	098268455519	1	11.3	-	-	1,550.00
LF767FR PVB	1 1/2"	0683031	098268455526	1	16.52	-	-	1,747.00
LF767FR PVB	2"	0683032	098268455533	1	17.8	-	-	1,963.00



LF767FR

Freeze Sensor Connection Kit with Wi-Fi for 765 sizes 3/4" - 2" and Other Cold-vulnerable, Water-carrying Equipment

Ordering Code	Kit No.	Description	List Price (each)
88009516	FP-FBF-WiFi/BMS/IMS-FZ	Freeze Sensor Connection Kit	216.50

Replacement Kits

Ordering Code	Kit No.	Description	List price
Replacement Freeze Sensors for 765 sizes 3/4" - 2"			
0683251	FP-FBF-SATSA29-FEBCO FZ	Freeze Sensor Replacement	12.75

*The wetted surface of this product contacted by consumable water contains less than 0.25% of lead by weight.

Supersedes all other price lists / Prices subject to change / Weights are estimated

¹Grooved ends available on all OS&Y gate valves in some models and sizes. Expect larger lead times.

Model	Size	Ordering Code	UPC	Net Content	Consumer Unit Weight (lbs)	Case Qty	Case Weight (lbs)	List Price
Air Gap								
867-AG-1	2 1/2" - 3"	0710199	643925022162	1	4.23	6	25.37	\$ 232.50
867-AGE-1	2 1/2" - 3"	0710200	643925022179	1	3.06	6	18.6	412.00
825Y-AG Plastic	3/4" - 2"	905082	643925000467	1	0.55	-	-	57.25
825Y-AG Metal	2 1/2" - 10"	905083	643925014600	1	1.55	-	-	234.00
601-AG Metal	2 1/2" - 10"	905213	643925000450	1	2.6	-	-	265.00
601-AG Plastic	1/2" - 1"	905358	643925018943	1	0.51	-	-	46.25
601-AG Plastic	1 1/4" - 2"	905359	643925018950	1	0.82	-	-	59.00
825Y-AG Metal	3/4" - 2"	905531	643925019186	1	0.92	-	-	107.50
860-AG Metal	1/2" - 1"	905532	643925019209	1	1.68	-	-	554.50
860-AG Aluminum	1 1/4" - 2"	905533	643925019216	1	2.81	-	-	217.50



601-AG

Valve Setters for Series LF870V, LF876VST, LF880V, LF886V

Mechanical Joint x Flange

LEAD FREE	611-MJ x FL	3"	905199	643925015249	1	105	-	-	1,082.00
	611-MJ x FL	4"	905200	643925015256	1	112	-	-	1,360.00
	611-MJ x FL	6"	905201	643925015263	1	232	-	-	1,776.00
	611-MJ x FL	8"	905202	643925015270	1	334	-	-	2,380.00
	611-MJ x FL	10"	905203	643925015287	1	395	-	-	3,533.00

Flange x Flange

LEAD FREE	611-FL x FL	2 1/2"	905204	643925015294	1	102	-	-	1,022.00
	611-FL x FL	3"	905205	643925015300	1	89	-	-	1,082.00
	611-FL x FL	4"	905206	643925015317	1	113	-	-	1,360.00
	611-FL x FL	6"	905207	643925015324	1	229	-	-	1,776.00
	611-FL x FL	8"	905208	643925015331	1	330	-	-	2,380.00
	611-FL x FL	10"	905209	643925015348	1	430	-	-	3,533.00

Mechanical Joint x Mechanical Joint

LEAD FREE	611-MJ x MJ	3"	905329	643925015959	1	105	-	-	1,082.00
	611-MJ x MJ	4"	905330	643925015966	1	109	-	-	1,360.00
	611-MJ x MJ	6"	905331	643925015973	1	248	-	-	1,776.00
	611-MJ x MJ	8"	905332	643925015980	1	335	-	-	2,380.00
	611-MJ x MJ	10"	905333	643925015997	1	328	-	-	3,533.00



611-FL x FL



611-MJ x MJ

*The wetted surface of this product contacted by consumable water contains less than 0.25% of lead by weight.

Supersedes all other price lists / Prices subject to change / Weights are estimated

¹Grooved ends available on all OS&Y gate valves in some models and sizes. Expect larger lead times.

ACCESSORIES



A WATTS Brand

Model	Size	Ordering Code	UPC	Net Content	Consumer Unit Weight (lbs)	Case Qty	Case Weight (lbs)	List Price
-------	------	---------------	-----	-------------	----------------------------	----------	-------------------	------------

Copper Silicon Alloy Wye-Strainer

LEAD FREE	LF650A	1/2"	0122975	098268650044	1	1	8	8	\$ 78.50
	LF650A	3/4"	0122976	098268707380	1	1.87	12	22.4	92.25
	LF650A	1"	0122977	098268650181	1	1.75	6	10.5	121.50
	LF650A	1 1/4"	0122978	098268650198	1	3.72	3	11.18	191.00
	LF650A	1 1/2"	0122979	098268707397	1	4.75	4	19	250.00
	LF650A	2"	0122980	098268707403	1	7.1	3	21.3	382.50



LF650A

Epoxy Coated Iron Wye-Strainer

LEAD FREE	758A	2 1/2"	4325	098268343274	1	32.54	-	-	691.50
	758A	3"	4326	098268343281	1	36	-	-	763.50
	758A	4"	4327	098268343298	1	69.85	-	-	1,159.00
	758A	6"	4328	098268343304	1	159	-	-	2,137.00
	758A	8"	4329	098268343311	1	270	-	-	4,506.00
	758A	10"	4330	098268343328	1	393	-	-	7,343.00



758A

Epoxy Coated Spool for Series 850/LF850, 856, 856ST, 860/LF860

LEAD FREE	Spool	4"	905523	643925019810	1	25.33	-	-	549.50
	Spool	6"	905524	643925019827	1	36.57	-	-	670.00
	Spool	8"	905525	643925019834	1	51.95	-	-	831.00

Full Port Test Cock

LEAD FREE	LFFPTC-F	1/8"	781074LL	098268504194	1	0.13	-	-	33.25
	LFFPTC-F	1/4"	781075LL	098268504200	1	0.13	-	-	33.25
	LFFPTC-M	1/8"x1/4"	0124835	098268845006	1	0.10	-	-	30.00
	SAE TC ADAPTOR	1/4"x1/4"	781076	098268472417	1	0.21	-	-	65.00



LFFPTC-1

Backflow Test Kit for All Testable Assemblies

TK1	NA	0710194	643925022117	1	7.9	-	-	6,416.00
-----	----	---------	--------------	---	-----	---	---	----------

Adjustable Valve and Meter Support Stand, 10-38 IN

RK EZ-STD		0777237	098268357868	1	22	-	-	601.50
-----------	--	---------	--------------	---	----	---	---	--------

Gate Valve Mounting Kit for 2 1/2 - 10 DuraCheck and MasterSeries

FAK 2 1/2 MT	2 1/2"	905036	643925014402	1	4.44	-	-	204.50
FAK 3 MT	3"	905037	643925014419	1	3.88	-	-	229.00
FAK 4 MT	4"	905038	643925014426	1	7.0	-	-	423.00
FAK 10 MT	10"	905041	643925014457	1	30.06	-	-	807.50

IRRIGATION SPECIALTIES

Model	Size	Ordering Code	UPC	Net Content	Consumer Unit Weight (lbs)	Case Qty	Case Weight (lbs)	List Price
-------	------	---------------	-----	-------------	----------------------------	----------	-------------------	------------

Irrigation Specialties

Key Operated Wall Hydrant

FPHB1-8	3/4" x 8"	0710013	643925020304	1	7.95	-	-	\$ 1,025.00
FPHB1-10	3/4" x 10"	0710014	643925020311	1	7.8	-	-	1,062.00
FPHB1-8	1" x 8"	0710016	643925020335	1	7.7	-	-	1,026.00
FPHB1-10	1" x 10"	0710017	643925020342	1	8.25	-	-	1,068.00
FPHB1-12	1" x 12"	0710018	643925020359	1	8.68	-	-	1,093.00



FPHB1

*The wetted surface of this product contacted by consumable water contains less than 0.25% of lead by weight.

Supersedes all other price lists / Prices subject to change / Weights are estimated

1 Grooved ends available on all OS&Y gate valves in some models and sizes. Expect larger lead times.



HOW TO ORDER REPAIR KITS

1. Determine FEBCO Model number and unit size, typically these are cast into the body of the unit and/or imprinted on the valve label.
2. Locate the page corresponding to the Model number and determine the parts needing replacement.
3. Obtain the part number for the repair kit containing the parts required.
4. Contact your FEBCO Distributor to order the repair kit.
5. A more detailed description of repair procedures can be found in the FEBCO Maintenance Manual. Maintenance Manuals are available from your local FEBCO Representative or can be downloaded from the FEBCO website at www.FEBCOonline.com.

QUICK REFERENCE PARTS LIST

Following is a list of the most commonly used items for the repair and service of FEBCO Backflow Preventers. A more comprehensive list follows. Visit www.FEBCOonline.com to download the FEBCO Parts Selection Guide which can help identify specific part numbers needed to repair your FEBCO unit.

FEBCO Model 765

Ordering Code	Size	Desc.	List Price
901857	1 1/2" & 2"	Bonnet Assembly Kit	\$ 228.50
901860	1 1/2" & 2"	Poppet Assembly Kit	70.50
905020	1/2" & 3/4"	Rubber Parts Kit	51.25
905021	1" & 1 1/4"	Rubber Parts Kit	56.50
905022	1 1/2" & 2"	Rubber Parts Kit	64.75
905047	1/2" & 3/4"	Bonnet Assembly Kit	56.50
905048	1" & 1 1/4"	Bonnet Assembly Kit	67.75
905049	1/2" & 3/4"	Poppet Assembly Kit	34.75
905050	1" & 1 1/4"	Poppet Assembly Kit	46.00
905051	1/2" & 3/4"	Check Assembly Kit	48.50
905052	1" & 1 1/4"	Check Assembly Kit	59.25
905070	1 1/2" & 2"	Check Assembly Kit	164.00
905211	1/2" & 3/4"	Bonnet/Poppet Kit	70.50
905212	1" & 1 1/4"	Bonnet/Poppet Kit	87.00

FEBCO Models 850/LF850, 850U/LF850U, 860/LF860 & 860U/LF860U (1/2" - 2")

Ordering Code	Size	Desc.	List Price
905342	1/2" & 3/4"	Rubber Kit for both checks	\$ 21.00
905343	1"	Rubber Kit for both checks	24.25
905344	1 1/4" - 2"	Rubber Kit for both checks	42.50
905345	1/2" - 1"	Relief Valve Rubber Kit	48.50
905346	1 1/4" - 2"	Relief Valve Rubber Kit	67.75
905347	1/2" & 3/4"	Single Check Kit (860 outlet)	56.50
905349	1"	Single Check Kit (860 outlet)	64.75
905351	1 1/4" - 2"	Single Check Kit (860 outlet)	67.75
905348	1/2" & 3/4"	860 Inlet Check Kit	59.25
905350	1"	860 Inlet Check Kit	67.75
905352	1 1/4" - 2"	860 Inlet Check Kit	67.75
905353	1/2" - 1"	Full Relief Valve Module Kit	240.00
905354	1 1/4" - 2"	Full Relief Valve Module Kit	326.50
905355	1/2" & 3/4"	Check & RV Rubber Kit	64.75
905356	1"	Check & RV Rubber Kit	67.75
905357	1 1/4" - 2"	Check & RV Rubber Kit	97.75

**FEBCO DURACHECK (2 1/2" - 10")
MODELS 805YD, 806YD, 825YD, 826YD**

Ordering Code	Size	Desc.	List Price
905059	2 1/2"	Rubber Parts Kit	\$ 76.00
905060	3"	Rubber Parts Kit	112.50
905061	4"	Rubber Parts Kit	171.00
905062	6"	Rubber Parts Kit	242.00
905063	8"	Rubber Parts Kit	330.00
905064	10"	Rubber Parts Kit	386.50
905102	All	Relief Valve Rubber Kit	330.00

FEBCO Models 825Y/LF825Y, 825YA/LF825YA (1/2" - 2")

Ordering Code	Size	Desc.	List Price
905042	3/4" - 1 1/4"	Rubber Kit for both checks	\$ 37.25
905053	1 1/2" & 2"	Rubber Kit for both checks	59.25
905043	3/4" - 1 1/4"	Relief Valve Rubber Kit	64.75
905054	1 1/2" & 2"	Relief Valve Rubber Kit	112.50
905111	3/4" - 1 1/4"	Complete Rubber Kit	81.50
905112	1 1/2" & 2"	Complete Rubber Kit	164.00
905044	3/4" - 1 1/4"	Single Check Kit	101.00
905055	1 1/2" & 2"	Single Check Kit	151.00
905045	3/4" - 1 1/4"	Relief Valve Kit	313.50
905056	1 1/2" & 2"	Relief Valve Kit	475.50
905113	3/4" & 1"	Relief Valve Seat Ring Kit	64.75
905114	1 1/2" & 2"	Relief Valve Seat Ring Kit	89.75
905417	3/4" & 1"	Relief Valve Seat Kit	91.00
905418	1 1/2" & 2"	Relief Valve Seat Kit	126.50

**FEBCO MasterSeries (2 1/2" - 10")
Models 850, 856, 870V, 876V, 860, 880V**

Ordering Code	Size	Desc.	List Price
905153	4"	DC/DCDA Disc Assembly	\$ 225.50
905154	6"	DC/DCDA Disc Assembly	281.00
905155	8"	DC/DCDA Disc Assembly	522.50
905162	2 1/2" - 3"	DC/DCDA Rubber Parts Kit	434.50
905163	4"	DC/DCDA Rubber Parts Kit	434.50
905164	6"	DC/DCDA Rubber Parts Kit	598.50
905165	8" (&10" 850/856)	DC/DCDA Rubber Parts Kit	1,301.00
905187	2 1/2" & 3"	860 Check & RV Rubber Kit	670.50
905188	4"	860 Check & RV Rubber Kit	670.50
905189	6"	860 Check & RV Rubber Kit	766.00
905190	8" &10"	860 Check & RV Rubber Kit	1,321.00
905224	2 1/2" & 3"	880 Disc Assembly	225.50
905225	4"	880 Disc Assembly	225.50
905226	6"	880 Disc Assembly	281.00
905227	2 1/2" & 3"	880 Check & RV Rubber Kit	670.50
905228	4"	880 Check & RV Rubber Kit	670.50
905229	6"	880 Check & RV Rubber Kit	766.00
905316	All	RP Relief Valve Rubber Kit	190.50

FEBCO MODELS 710, 715

Ordering Code	Size	Desc.	List Price
901217	1"	710 Bonnet/Stem Kit	\$ 42.50
901549	1"	710 Poppet Kit	25.75
901550	1 1/4"	710 Poppet Kit	48.50
901551	1 1/2"	710 Poppet Kit	87.00
901552	2"	710 Poppet Kit	89.75
905046	All	715 Poppet Kit	25.75

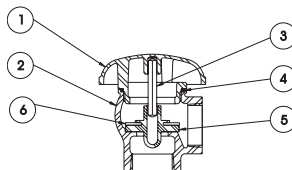
BACKFLOW PREVENTION - PARTS SELECTION GUIDE



A WATTS Brand

710/715

1/2" - 2" Atmospheric Vacuum Breaker



Ordering Code	Size	List Price
Model 715 Bonnet/Stem Kit		
901217	1/2"-3/4"	\$ 42.50
901250	1"	62.25

Kit Includes: Items 1 & 3

Ordering Code	Size	List Price
Model 715 Poppet Kit		
905046	1/2"-3/4"	25.75
901549	1"	25.75

Kit Includes: Items 4, 5 & 6

Ordering Code	Size	List Price
Model 710 Bonnet/Stem Kit		
901251	1 1/4"	\$ 122.50
901252	1 1/2"	122.50
901253	2"	145.00

Kit Includes: Items 1 & 3

Ordering Code	Size	List Price
Model 710 Poppet Kit		
901550	1 1/4"	48.50
901551	1 1/2"	87.00
901552	2"	89.75

Kit Includes: Items 4, 5 & 6

765

1/2" - 2" Pressure Vacuum Breaker

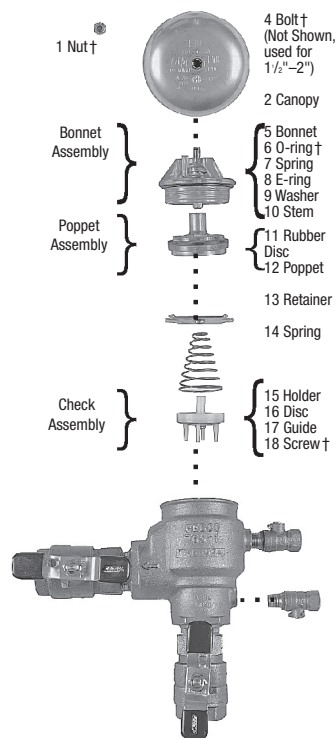


Illustration shown is for sizes 3/4" through 1 1/4" only.

Bonnet and bolt for 1/2" and 2" not shown.

† Commercial Parts

‡The FEBCO Model 765 design differs slightly from the illustration for sizes 1 1/2" and 2". Kits may include additional parts not listed on diagram.

*The wetted surface of this product contacted by consumable water contains 0.25% of lead by weight.

Supersedes all other price lists / Prices subject to change / Weights are estimated

1 Grooved ends available on all OS&Y gate valves in some models and sizes. Expect larger lead times.

Ordering Code	Size	List Price
Bonnet/Poppet Kit		
905211	1/2"-3/4"	\$ 70.50
905212	1"-1 1/4"	87.00

Kit Includes: Items 5-12

Ordering Code	Size	List Price
Poppet Assembly Kit		
905049	1/2"-3/4"	34.75
905050	1"-1 1/4"	46.00
901860	1 1/2"-2"	70.50

Kit Includes: Items 11, 12

Ordering Code	Size	List Price
Bonnet Assembly Kit		
905047	1/2"-3/4"	56.50
905048	1"-1 1/4"	67.75
901857	1 1/2"-2"	228.50

Kit Includes: Items 5-10

Ordering Code	Size	List Price
Check Assembly Kit		
905051	1/2"-3/4"	48.50
905052	1"-1 1/4"	59.25
905070	1 1/2"-2"	164.00

Kit Includes: Items 15-18

Ordering Code	Size	List Price
Rubber Parts Kit		
905020	1/2"-3/4"	51.25
905021	1"-1 1/4"	56.50
905022	1 1/2"-2"	64.75

Kit Includes: Items 6, 11, 16

Ordering Code	Size	List Price
Canopy		
300092	1/2"	42.50
300093	3/4"	42.50
300089	1"-1 1/4"	54.00
300083	1 1/2"-2"	76.00

Kit Includes: Item 2

Ordering Code	Size	List Price
Retainer		
300096	1/2"-3/4"	24.25
300088	1"-1 1/4"	25.75

Included in Check Kit‡

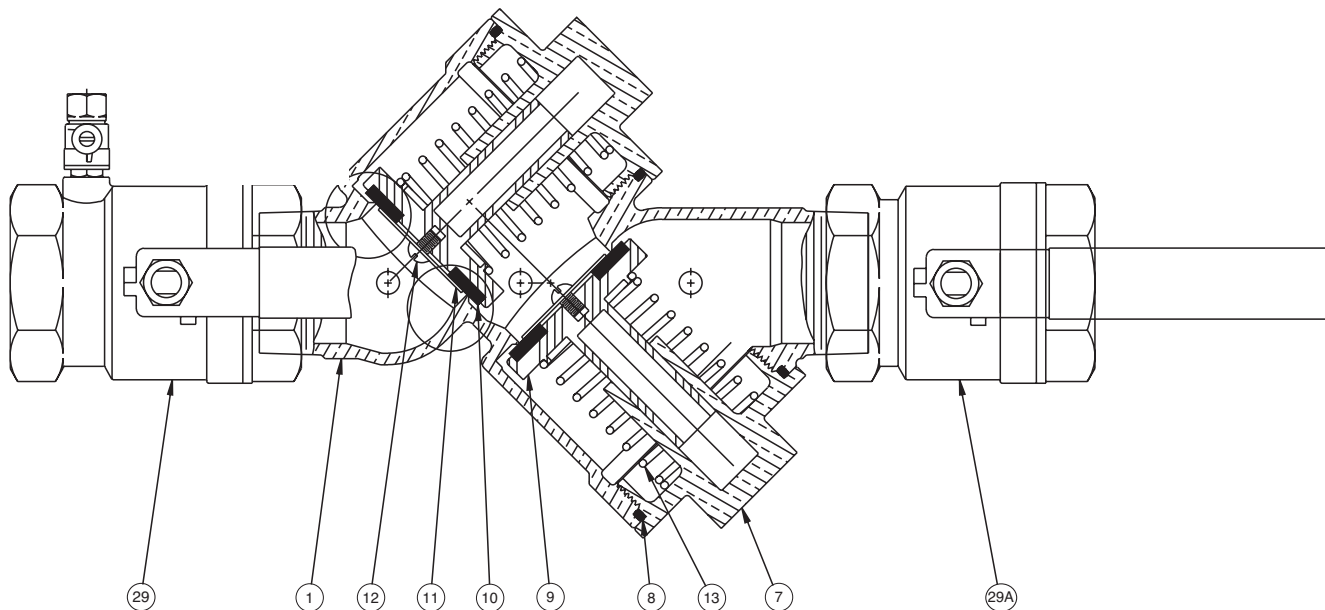
Kit Includes: Item 13

Ordering Code	Size	List Price
Check Spring		
630108	1/2"-3/4"	24.25
630106	1"-1 1/4"	25.75
630063	1 1/2"-2"	39.00

Kit Includes: Item 14

805Y, 805YB, 805YS

3/4" - 2" Double Check Valve Assembly



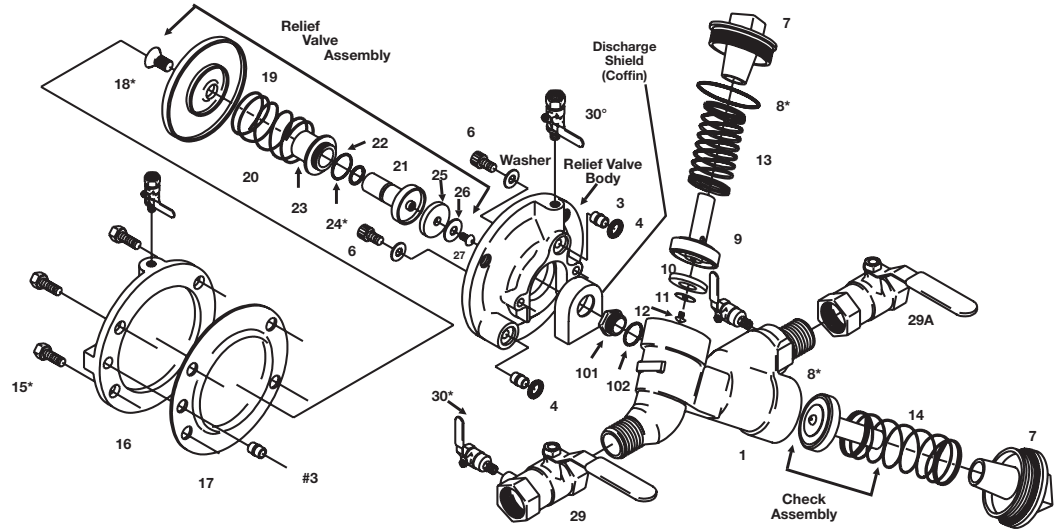
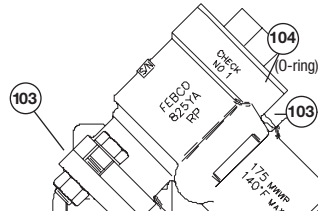
	Ordering Code	Style	Size	List Price
	Rubber Kit for Both Checks			
LEAD FREE*	905042	Y, YB	3/4"-1 1/4"	\$ 37.25
	905053	Y, YB	1 1/2" & 2"	59.25
	905042S	YS	3/4"-1 1/4"	37.25
	905053S	YS	1 1/2" & 2"	59.25
	Kit Includes: Items 8, 10, 2 ea.			
	Single Check Repair Kit			
LEAD FREE*	905044	Y, YB	3/4"-1 1/4"	101.00
	905055	Y, YB	1 1/2" & 2"	151.00
	905044S	YS	3/4"-1 1/4"	107.00
	905055S	YS	1 1/2" & 2"	155.50
	Kit Includes: Valve has two checks. Items 8-12, 1 ea.			
	Double Check Kit w/Springs			
LEAD FREE*	905242	Y, YB	3/4"-1 1/4"	230.50
	905243	Y, YB	1 1/2" & 2"	301.00
	630115	Y, YS	3/4"-1 1/4"	24.25
	630118	Y, YS	1 1/2" & 2"	56.50
	630167	YB	3/4"-1 1/4"	24.25
			1 1/2" & 2"	N/A
	Kit Includes: Items 8-13, 2 ea.			

805, 835B
Double Check Assembly

Contact FEBCO Representative for information on components for these older designs. To replace the entire assembly (recommended), use FEBCO Model 850/LF850 Double Check.

*The wetted surface of this product contacted by consumable water contains less than 0.25% of lead by weight.
Supersedes all other price lists / Prices subject to change / Weights are estimated
†Grooved ends available on all OS&Y gate valves in some models and sizes. Expect larger lead times.

**825-Y, -YS, -YA, -YR, -YAR & YAS
LF825Y and LF825YA
3/4" - 2" Reduced Pressure
Zone Assembly**



Ordering Code	Style	Size	List Price
---------------	-------	------	------------

Check Rubber Kit

LEAD FREE 905042	Y, YA, YAR	3/4"-1 1/4"	\$ 37.25
905053	Y, YA, YAR	1 1/2" & 2"	59.25
905042S	YS, YAS	3/4"-1 1/4"	37.25
905053S	YS, YAS	1 1/2" & 2"	59.25

Kit Includes: Items 8, 10, 2 ea.

Relief Valve Rubber Kit

LEAD FREE 905043	Y, YA, YAR	3/4"-1 1/4"	64.75
905054	Y, YA, YAR	1 1/2" & 2"	112.50
905043S	YS, YAS	3/4"-1 1/4"	64.75
905054S	YS, YAS	1 1/2" & 2"	112.50

Complete Rubber Kit

LEAD FREE 905111	Y, YA, YAR	3/4"-1 1/4"	81.50
905112	Y, YA, YAR	1 1/2" & 2"	164.00

Kit Includes: Both checks & relief valve. Items 3, 4, 5, 8, 10, 17, 22, 24, 25, 102, 104

Single Check Kit

LEAD FREE 905044	Y, YA, YAR	3/4"-1 1/4"	101.00
905055	Y, YA, YAR	1 1/2" & 2"	151.00
905044S	YS, YAS	3/4"-1 1/4"	107.00
905055S	YS, YAS	1 1/2" & 2"	155.50

Each valve has two checks. (Items 8-12, 1 ea.)

Relief Valve Kit

LEAD FREE 905045	ALL	3/4"-1 1/4"	313.50
905056	ALL	1 1/2" & 2"	475.50

Kit Includes: Items 17-27

Check Valve Cover Kit

LEAD FREE 905616	ALL	3/4"-1"	71.50
905617	ALL	1 1/2" & 2"	158.00

Relief Valve Cover Kit

LEAD FREE 905621	ALL	3/4"-1"	204.50
905622	ALL	1 1/2" & 2"	231.00

Ordering Code	Style	Size	List Price
---------------	-------	------	------------

Relief Valve Seat Ring Kit

905113	Y, YA	3/4"-1 1/4"	\$ 64.75
905114	YS, YA	1 1/2" & 2"	89.75

Kit Includes: Items 101, 102. (N/A for 1 1/2" size)

Relief Valve Seat Ring Kit

LEAD FREE 905417	Y, YA	3/4"-1"	91.00
905418	YS, YA	1 1/2" & 2"	126.50

Kit Includes: Items 101, 102. (N/A for 1 1/4" size)

Check Valve Seat Ring

905280	YR, YAR	3/4"-1 1/4"	51.25
905281	Y, YA†	1 1/2" & 2"	59.25

Kit Includes: Items Seat Ring & O-ring

Check Valve Seat Ring

LEAD FREE 905419	YR, YAR	3/4"-1 1/4"	88.00
905420	Y, YA†	1 1/2" & 2"	121.50

Kit Includes: Items Seat Ring & O-ring

#1 Check Springs (inlet)

LEAD FREE 630125	ALL	3/4"-1 1/4"	46.00
630137	ALL	1 1/2" & 2"	81.50

#2 Check Springs (outlet)

LEAD FREE 630115	ALL	3/4"-1 1/4"	24.25
630118	ALL	1 1/2" & 2"	56.50

†825Y & YA with "J" prefix serial numbers only (not available for 1 1/4" size)

825YA, YAR, YAS Elbow Parts

Ordering Code	Part	Size	List Price
---------------	------	------	------------

YA Elbow Parts

101194	103 Elbow	3/4"	\$ 78.00
101195	103 Elbow	1"	89.75
101189	103 Elbow	1 1/2"	112.50
101190	103 Elbow	2"	129.00

YA Elbow Parts

LEAD FREE 39822372	104 O-ring	3/4"-1"	15.25
39823072	104 O-ring	1 1/2"-2"	21.00

Kit Includes: Items 103, 104

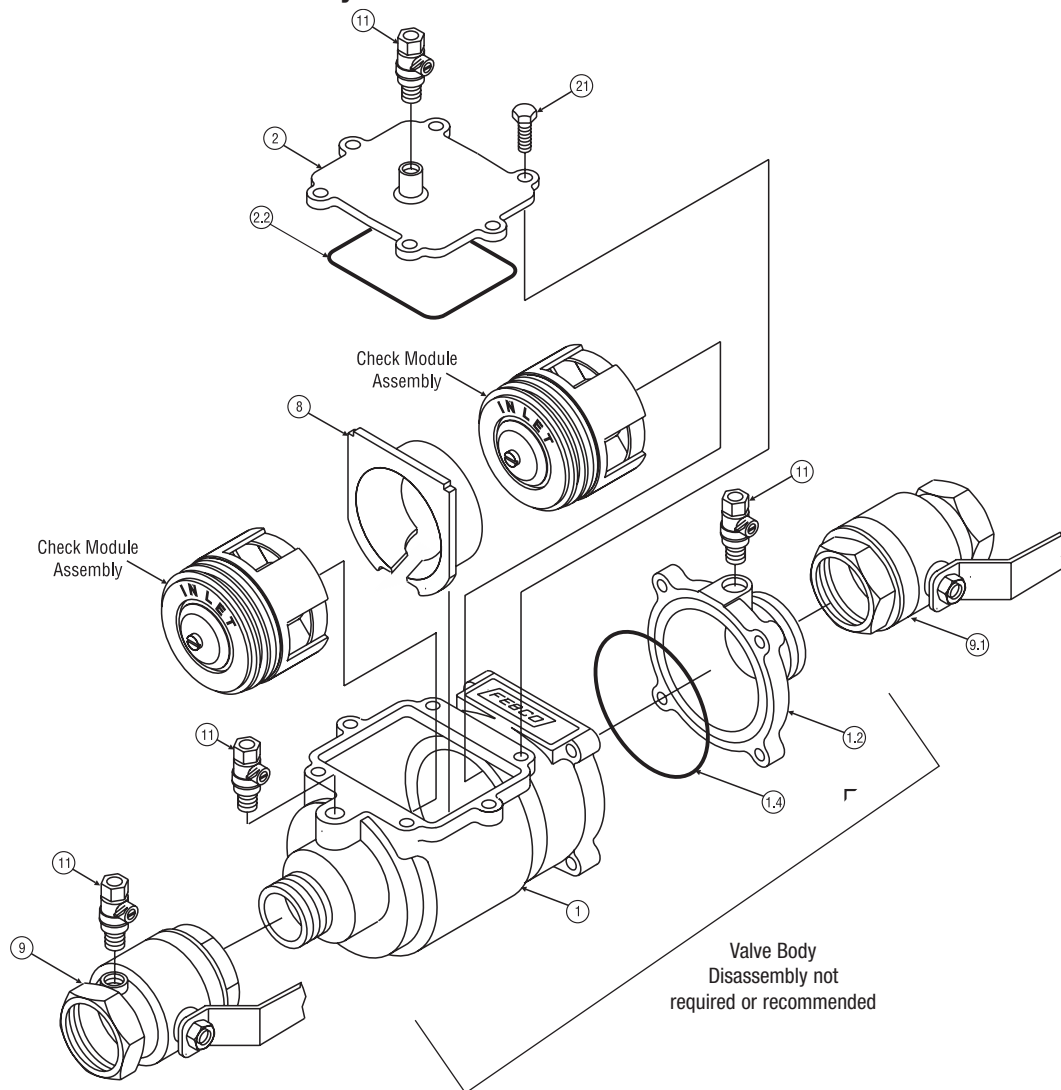
*The wetted surface of this product contacted by consumable water contains less than 0.25% of lead by weight.

Supersedes all other price lists / Prices subject to change / Weights are estimated

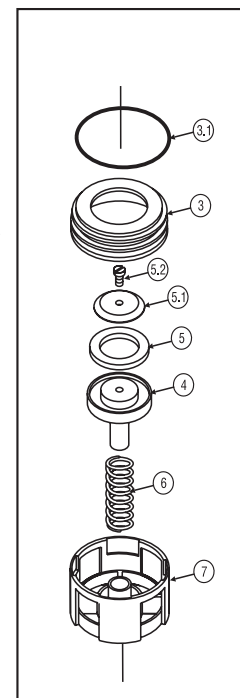
†Grooved ends available on all OS&Y gate valves in some models and sizes. Expect larger lead times.

850, LF850, 850U, LF850U, 850B

1/2" - 2" Double Check Valve Assembly



**Models
850/LF850
& 860/LF860
Check Module
Assembly:**



Ordering Code	Style	Size	List Price
---------------	-------	------	------------

Check Rubber Kit

LEAD FREE 905342	ALL	1/2" & 3/4"	\$ 21.00
905343	ALL	1"	24.25
905344	ALL	1 1/4"-2"	42.50

For both checks. Kit Includes: Items 1.4, 2.2 & 2 ea. of Items 3.1 & 5

Single Check Kit†

LEAD FREE 905347	850	1/2" & 3/4"	56.50
905349	850	1"	64.75
905351	850	1 1/4"-2"	67.75

Valve has two checks. Kit Includes: Items 3 - 7

Single Poppet Kit

LEAD FREE 905339	ALL	1/2" & 3/4"	24.25
905340	ALL	1"	25.75
905341	ALL	1 1/4"-2"	34.75

Valve has two poppets. Kit Includes: Items 4 - 5.2

Ordering Code	Style	Size	List Price
---------------	-------	------	------------

COVER Kit

LEAD FREE 905618	ALL	1/2" & 3/4"	\$ 49.50
905619	ALL	1"	60.00
905620	ALL	1 1/4"-2"	114.00

Kit Includes: Items 2 and 2.2

†May use this kit for 850B with exception of spring (item #6). Contact factory service center for price and availability on 850B spring.

*The wetted surface of this product contacted by consumable water contains less than 0.25% of lead by weight.

Supersedes all other price lists / Prices subject to change / Weights are estimated

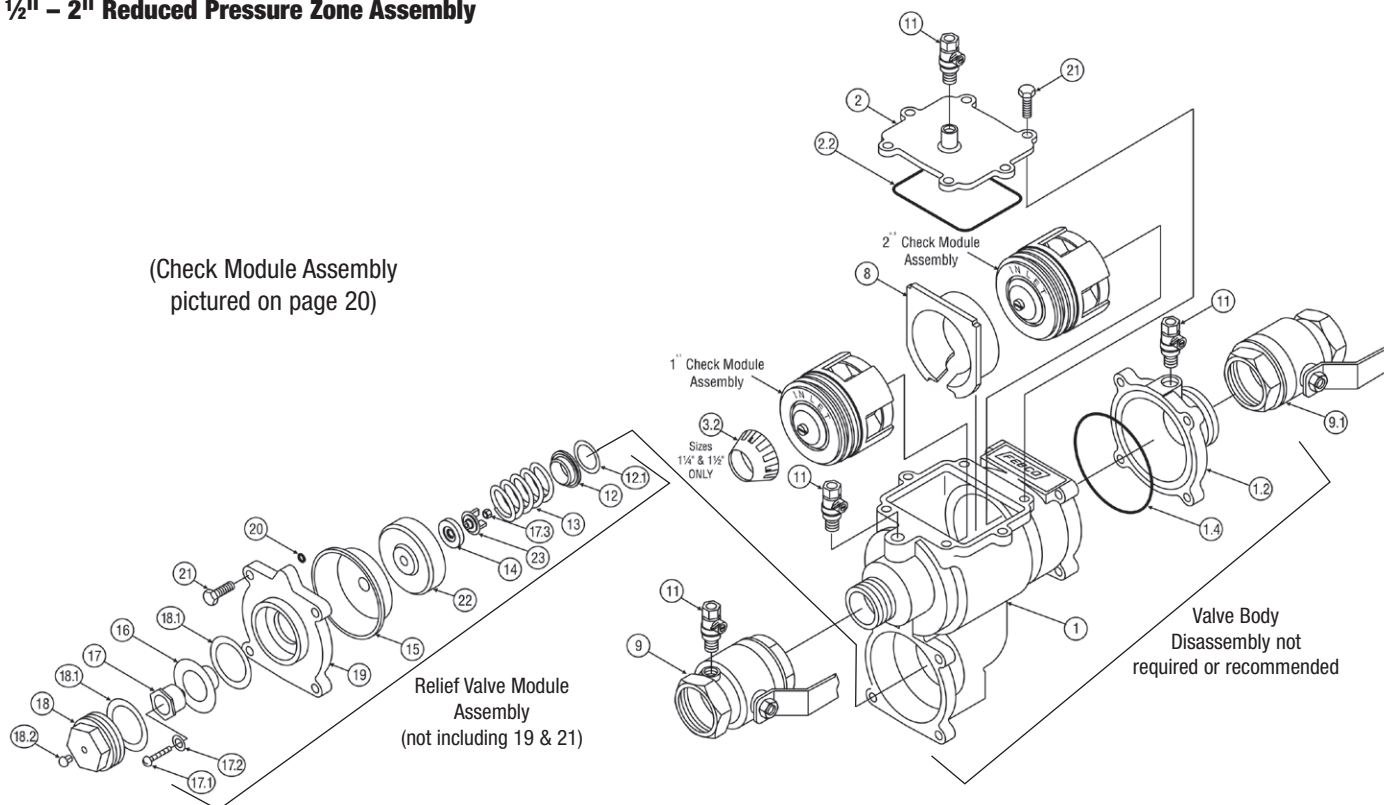
¹Grooved ends available on all OS&Y gate valves in some models and sizes. Expect larger lead times.

Detailed maintenance manuals can be downloaded at www.FEBCOonline.com.

860, LF860, 860U, LF860U, 880, 880U

1/2" - 2" Reduced Pressure Zone Assembly

(Check Module Assembly
pictured on page 20)



Ordering Code	Style	Size	List Price
Complete Rubber Kit			
LEAD FREE 905355	ALL	1/2" & 3/4"	\$ 64.75
905356	ALL	1"	67.75
905357	ALL	1 1/4"-2"	97.75
Kit Includes: All rubber parts			
Check Module Rubber Kit			
LEAD FREE 905342	ALL	1/2" & 3/4"	21.00
905343	ALL	1"	24.25
905344	ALL	1 1/4"-2"	42.50
Both checks. Kit Includes: Item 2.2 & 2 ea. of items 3.1 & 5			
Relief Valve Rubber Kit			
LEAD FREE 905345	ALL	1/2" & 3/4"	48.50
905345	ALL	1"	48.50
905346	ALL	1 1/4"-2"	67.75
Kit Includes: Items 12, 12.1, 14 - 16, 18.1 (2 ea) & 20			
Single Poppet Kit			
LEAD FREE 905339	ALL	1/2" & 3/4"	24.25
905340	ALL	1"	25.75
905341	ALL	1 1/4"-2"	34.75
Valve has two poppets. Kit Includes: Items 4 thru 5.2			

Ordering Code	Style	Size	List Price
#1 Check Module Kit (inlet)			
LEAD FREE 905348	ALL	1/2" & 3/4"	\$ 59.25
905350	ALL	1"	67.75
905352	ALL	1 1/4"-2"	67.75
Kit Includes: Items 3 - 7 for inlet check			
#2 Check Module Kit (outlet)			
LEAD FREE 905347	ALL	1/2" & 3/4"	56.50
905349	ALL	1"	64.75
905351	ALL	1 1/4"-2"	67.75
Kit Includes: Items 3 - 7 for outlet check			
Full Relief Valve Module Kit			
LEAD FREE 905421	ALL	1/2" & 3/4"	180.50
905421	ALL	1"	180.50
905422	ALL	1 1/4"-2"	341.50
Kit Includes: 1 ea of Items 12 - 17.3, 20, 22 & 23 & 2 ea. of 18.1			
Cover Kit			
LEAD FREE 905618	ALL	1/2" & 3/4"	49.50
905619	ALL	1"	60.00
905620	ALL	1 1/4"-2"	114.00
Kit Includes: Items 2 and 2.2			

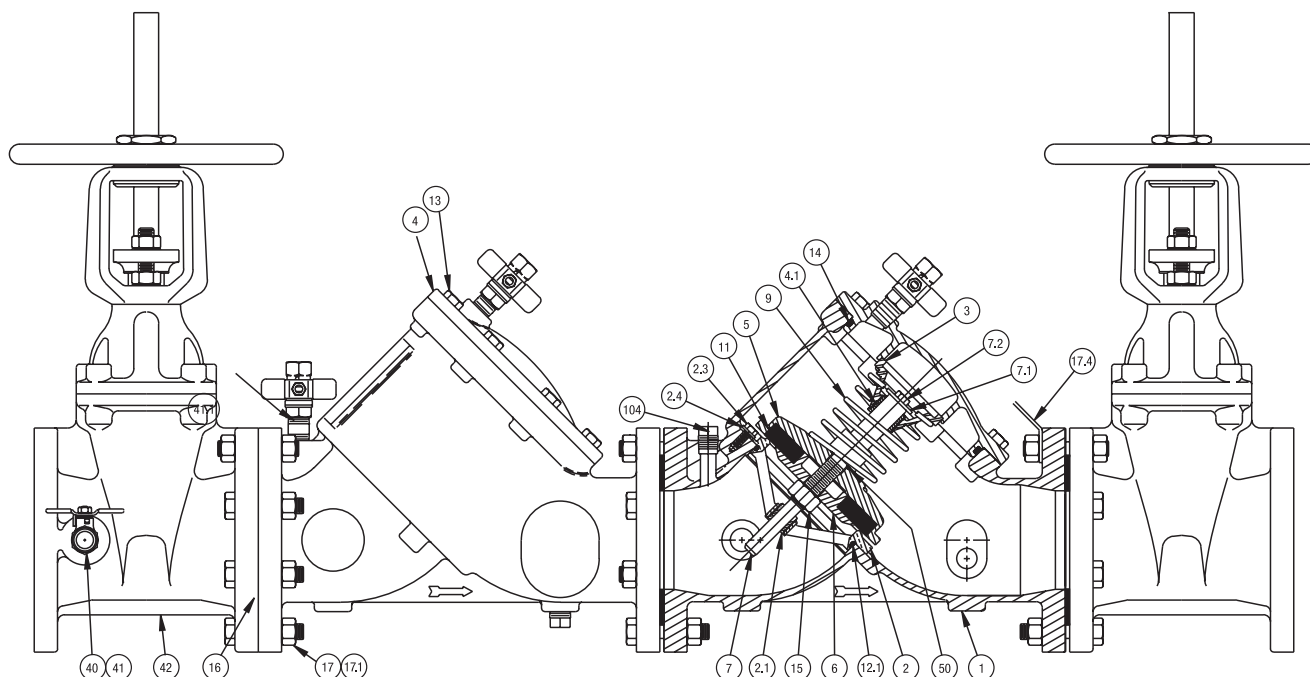
*The wetted surface of this product contacted by consumable water contains less than 0.25% of lead by weight.

Supersedes all other price lists / Prices subject to change / Weights are estimated

¹Grooved ends available on all OS&Y gate valves in some models and sizes. Expect larger lead times.

Detailed maintenance manuals can be downloaded at www.FEBCOonline.com.

805, 805D, 805YD, 806YD 2 1/2" – 10" Double Check/Double Check Detector Assemblies



Ordering Code	Style	Size	List Price
---------------	-------	------	------------

Rubber Parts

905059	805, 805D, 805YD, 806YD	2 1/2"	\$ 76.00
905060	805, 805D, 805YD, 806YD	3"	112.50
905061	805, 805D, 805YD, 806YD	4"	171.00
905062	805, 805D, 805YD, 806YD	6"	242.00
905063	805, 805D, 805YD, 806YD	8"	330.00
905064	805, 805D, 805YD, 806YD	10"	386.50

Kit Includes: Items 11, 14, 50

Single Check Assembly

905086	805YD	2 1/2"	1,094.00
905088	805YD	3"	1,162.00
902467	805YD	4"	1,558.00
902469	805YD	6"	2,491.00
902471	805YD	8"	4,227.00
902473	805YD	10"	6,890.00
—	806YD	2 1/2"	N/A
902514	806YD	4"	1,705.00
902515	806YD	6"	2,714.00
902516	806YD	8"	4,606.00
902517	806YD	10"	7,578.00

Kit Includes: Items 3, 4.1, 5, 6, 7, 7.1, 7.2, 9, 11, 15, 50

Ordering Code	Style	Size	List Price
---------------	-------	------	------------

Seat Kit

902386YD	805YD, 806YD	2 1/2"	\$ 533.00
902385YD	805YD, 806YD	3"	593.50
902384YD	805YD, 806YD	4"	877.00
902383YD	805YD, 806YD	6"	1,175.00
902382YD	805YD, 806YD	8"	1,884.00
902381YD	805YD, 806YD	10"	2,344.00

Kit Includes: Items 2, 2.1 & 12.1

Gate Mounting Kit

905036	805, 805D, 805YD, 806Y	2 1/2"	204.50
905037	805, 805D, 805YD, 806Y	3"	229.00
905038	805, 805D, 805YD, 806Y	4"	423.00
905041	805, 805D, 805YD, 806Y	10"	807.50

Kit Includes: Both ends. Items 16, 17, 17.1

Cover Assembly

902497	805YD, 806YD	2 1/2"	585.50
902498	805YD, 806YD	3"	648.50
902499	805YD, 806YD	4"	764.00
902500	805YD, 806YD	6"	984.00
902501	805YD, 806YD	8"	2,319.00
902502	805YD, 806YD	10"	2,319.00

Kit Includes: Items 4, 4.1, 14 & Aircock (not shown)

805, 805D Double Check Valve Assemblies

Contact FEBCO Representative for information on unlisted components for these older designs.

To replace the entire assembly (recommended) use FEBCO Model LF850 Double Check Assembly with Spool Adapter.

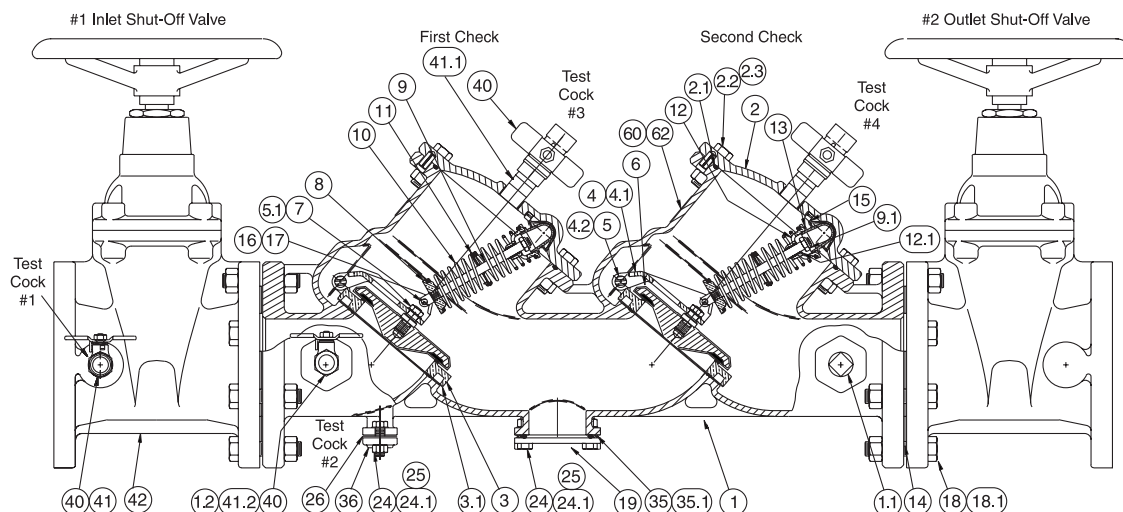
Supersedes all other price lists / Prices subject to change / Weights are estimated

*Grooved ends available on all OS&Y gate valves in some models and sizes. Expect larger lead times.

Detailed maintenance manuals can be downloaded at www.FEBCOonline.com.

850, 856

2 1/2" - 10" Double Check/Double Check Detector Assemblies



Ordering Code	Style	Size	List Price
---------------	-------	------	------------

Disc Assembly

905182	ALL	2 1/2" & 3"	\$ 225.50
905153	ALL	4"	225.50
905154	ALL	6"	281.00
905155	ALL	8" & 10"	522.50

Kit Includes: Items 6, 16, 17

Spring Module

905142	850	2 1/2" & 3"	220.50
905143	850	4"	242.00
905144	850	6"	291.00
905145	850	8" & 10"	330.00
905147	856	2 1/2" & 3"	225.50
905148	856	4"	251.00
905149	856	6"	308.00
905150	856	8" & 10"	340.00

Kit Includes: Items 5.1, 7, 8, 9, 9.1, 10, 11, 12, 12.1

Check Replacement Kit

905527	850	2 1/2" & 3"	1,031.00
905534	850	4"	1,162.00
905537	850	6"	1,521.00
905539	850	8" & 10"	1,941.00
905529	856	2 1/2" & 3"	1,035.00
905536	856	4"	1,172.00
905538	856	6"	1,542.00
905541	856	8" & 10"	2,102.00

Kit Includes: Items 2.1, and 3 - 17

Seat Ring / Arm Assembly

905157	ALL	2 1/2" & 3"	366.00
905158	ALL	4"	382.50
905159	ALL	6"	551.00
905160	ALL	8" & 10"	603.00

Kit Includes: Items 3, 3.1, 3.2, 3.4, 4, 4.1, 4.2, 5

Ordering Code	Style	Size	List Price
---------------	-------	------	------------

Rubber Parts Kit

905249	ALL	2 1/2" & 3"	\$ 434.50
905163	ALL	4"	434.50
905164	ALL	6"	598.50
905165	ALL	8" & 10"	1,301.00

Kit Includes: Items 2.1, 3.1, 6, 15, 26, 35, 35.1, 45, 45.1

Cover Assembly

905167	With Bulkhead Fitting	2 1/2" & 3"	366.00
905168	With Bulkhead Fitting	4"	416.00
905169	With Bulkhead Fitting	6"	480.50
905170	With Bulkhead Fitting	8" & 10"	551.00
905376	Tapped	2 1/2" & 3"	366.00
905377	Tapped	4"	416.00
905378	Tapped	6"	480.50

Kit Includes: Items 2, 2.1, 15

Bulkhead Fitting for Cover[†]

905275	850	2 1/2", 3", 4"	48.50
905277	850	6", 8" & 10"	64.75
905277	856	2 1/2"-10"	64.75

Kit Includes: Items 43.1, 45.1, 46.1, 47.1 (Refer to drawing 870, 870V, 876V)

Bulkhead Fitting for Body[†]

905276	850	2 1/2", 3", 4"	59.25
905277	850	6", 8" & 10"	64.75
905277	856	2 1/2"-10"	64.75

Kit Includes: Items 43, 45, 46, 47 (Refer to drawing 870, 870V, 876V)

[†]Bulkhead fittings are not furnished on late models. Very early productions of Model 856 may require a different bulkhead fitting. Consult your FEBCO representative for assistance.

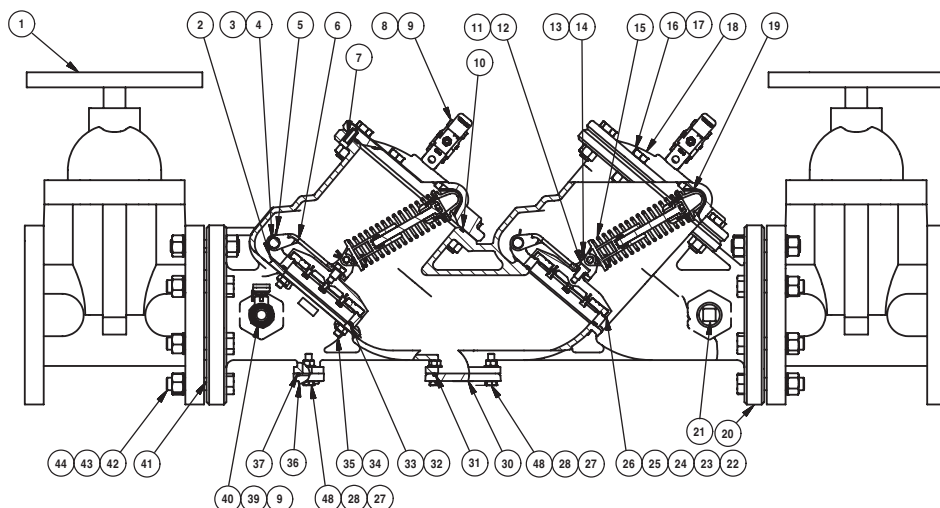
Supersedes all other price lists / Prices subject to change / Weights are estimated

[†]Grooved ends available on all OS&Y gate valves in some models and sizes. Expect larger lead times.

Detailed maintenance manuals can be downloaded at www.FEBCOonline.com.

LF850, 856ST, LF856

2 1/2" - 10" Double Check/Double Check Detector Assemblies



Ordering Code	Style	Size	List Price
---------------	-------	------	------------

Disc Assembly

905466	ALL	2 1/2" & 3"	\$ 251.50
905467	ALL	4"	263.50
905468	ALL	6"	346.50
905469	ALL	8" & 10"***	642.00

Kit Includes: Items 11, 12, 22, 23, 24, 25, 26

Total Rubber Kit

905490	ALL	2 1/2" & 3"	144.00
905491	ALL	4"	156.50
905492	ALL	6"	180.50
905493	ALL	8" & 10"***	299.00

Kit Includes: Items 10, 25, 31, 32, 33, 37

Spring Module

905470	LF850 (1st & 2nd) 856ST, LF856 (1st)	2 1/2" & 3"	109.00
905471	LF850 (1st & 2nd) 856ST, LF856 (1st)	4"	139.50
905472	LF850 (1st & 2nd) 856ST, LF856 (1st)	6"	226.50
905473	LF850 (1st & 2nd) 856ST, LF856 (1st)	8" & 10"***	251.50
905474	856ST (2nd)	2 1/2" & 3"	158.00
905475	856ST (2nd)	4"	182.50
905476	856ST (2nd)	6"	272.50
905477	856ST (2nd)	8" & 10"***	265.00
905608	LF856 (2nd)	2 1/2" & 3"	154.50
905609	LF856 (2nd)	4"	178.50
905610	LF856 (2nd)	6"	266.50
905611	LF856 (2nd)	8" & 10"***	259.50

Kit Includes: Items 15

Seat Ring / Arm Assembly

905486	ALL	2 1/2" & 3"	452.50
905487	ALL	4"	469.50
905488	ALL	6"	669.50
905489	ALL	8" & 10"***	666.50

Kit Includes: Items 2, 3, 4, 5, 6, 32, 33, 34, 35

**10" uses 8" internals

*The wetted surface of this product contacted by consumable water contains less than 0.25% of lead by weight.

Supersedes all other price lists / Prices subject to change / Weights are estimated

¹Grooved ends available on all OS&Y gate valves in some models and sizes. Expect larger lead times.

Detailed maintenance manuals can be downloaded at www.FEBCOonline.com.

Ordering Code	Style	Size	List Price
---------------	-------	------	------------

Check Replacement Kit

905478	LF850 (1st & 2nd) 856ST, LF856 (1st)	2 1/2" & 3"	\$ 903.00
905479	LF850 (1st & 2nd) 856ST, LF856 (1st)	4"	1,138.00
905480	LF850 (1st & 2nd) 856ST, LF856 (1st)	6"	1,655.00
905481	LF850 (1st & 2nd) 856ST, LF856 (1st)	8" & 10"	2,414.00
905482	856ST (2nd)	2 1/2" & 3"	988.50
905483	856ST (2nd)	4"	1,195.00
905484	856ST (2nd)	6"	1,735.00
905485	856ST (2nd)	8" & 10"	2,595.00
905612	LF856 (2nd)	2 1/2" & 3"	963.50
905613	LF856 (2nd)	4"	1,164.00
905614	LF856 (2nd)	6"	1,690.00
905615	LF856 (2nd)	8" & 10"	2,532.00

Kit Includes: Items 2, 3, 4, 5, 6, 10, 11, 12, 15, 22, 23, 24, 25, 26, 32, 33, 34, 35

Cover Assembly

905376	ALL	2 1/2" & 3"	366.00
905377	ALL	4"	416.00
905378	ALL	6"	480.50

Kit Includes: Items 7, 10, 18, 19

825, 825D, 825YD, 826YD

2½" – 10" Reduced Pressure/Reduced Pressure Detector Assemblies

Ordering Code	Style	Size	List Price
Check Rubber Parts			
905059	ALL	2 1/2"	\$ 76.00
905060	ALL	3"	112.50
905061	ALL	4"	171.00
905062	ALL	6"	242.00
905063	ALL	8"	330.00
905064	ALL	10"	386.50
Kit Includes: Items 11, 14, 51			
Check #1 (inlet) Check Assembly			
905085	825YD	2 1/2"	1,191.00
905087	825YD	3"	1,336.00
902466	825YD	4"	1,861.00
902468	825YD	6"	3,329.00
902470	825YD	8"	4,172.00
902472	825YD	10"	8,345.00
—	826YD	2 1/2"	N/A
—	826YD	3"	N/A
902623	826YD	4"	2,008.00
902624	826YD	6"	3,677.00
902625	826YD	8"	4,649.00
902626	826YD	10"	8,902.00
Kit Includes: Items 3,4A,5,6,7,7A,7B,10,11,15,51			
Check #2 (outlet) Check Assembly			
905086	825YD	2 1/2"	1,094.00
905088	825YD	3"	1,162.00
902467	825YD	4"	1,558.00
902469	825YD	6"	2,491.00
902471	825YD	8"	4,227.00
902473	825YD	10"	6,890.00
—	826YD	2 1/2"	N/A
—	826YD	3"	N/A
902514	826YD	4"	1,705.00
902515	826YD	6"	2,714.00
902516	826YD	8"	4,606.00
902517	826YD	10"	7,578.00
Kit Includes: Items 3,4A,5,6,7,7A,7B,10,11,15,51			
Seat Kit			
902386YD	825YD, 826YD	2 1/2"	533.00
902385YD	825YD, 826YD	3"	593.50
902384YD	825YD, 826YD	4"	877.00
902383YD	825YD, 826YD	6"	1,175.00
902382YD	825YD, 826YD	8"	1,884.00
902381YD	825YD, 826YD	10"	2,344.00
Kit Includes: Items A			

Ordering Code	Style	Size	List Price
Gate Mounting Kit (both ends)			
905036	ALL	2 1/2"	\$ 204.50
905037	ALL	3"	229.00
905038	ALL	4"	423.00
905041	ALL	10"	807.50
Kit Includes: Items 16, 17, 17.1			
Relief Valve Conversion Kit			
905100	825	3"	2,907.00
905101	825	4", 6"	2,990.00
905522	825	8", 10"	3,210.00
905100	825D	2 1/2"-4"	2,907.00
905101	825D	6"	2,990.00
905522	825D	8", 10"	3,210.00
Kit Includes: Convert 825, 825D. Relief Valve to 825YD design			
Relief Valve Assembly			
905100	825YD, 826YD	2 1/2"-4"	2,907.00
905101	825YD, 826YD	6"-10"	2,990.00
Kit Includes: Items 21 thru 50			
Relief Valve Rubber Kit			
905102	825YD, 826YD	2 1/2"-10"	330.00
Kit Includes: Items 26, 27, 27A, 31A, 32			
Relief Valve Seat Ring Kit			
905103	825YD, 826YD	2 1/2"-10"	429.50
Kit Includes: Items 22A, 22B, 36, 36A, 36B			
Relief Valve Module Kit			
905104	825YD, 826YD	2 1/2"-10"	1,863.00
Kit Includes: Items 905-104			
Cover Assembly			
902497	825YD, 826YD	2 1/2"	585.50
902498	825YD, 826YD	3"	648.50
902499	825YD, 826YD	4"	764.00
902500	825YD, 826YD	6"	984.00
902501	825YD, 826YD	8"	2,319.00
902502	825YD, 826YD	10"	2,319.00
Kit Includes: Items 4, 4.1, 14 & Aircocock (not shown)			

825, 825D

Reduced Pressure Zone Assembly

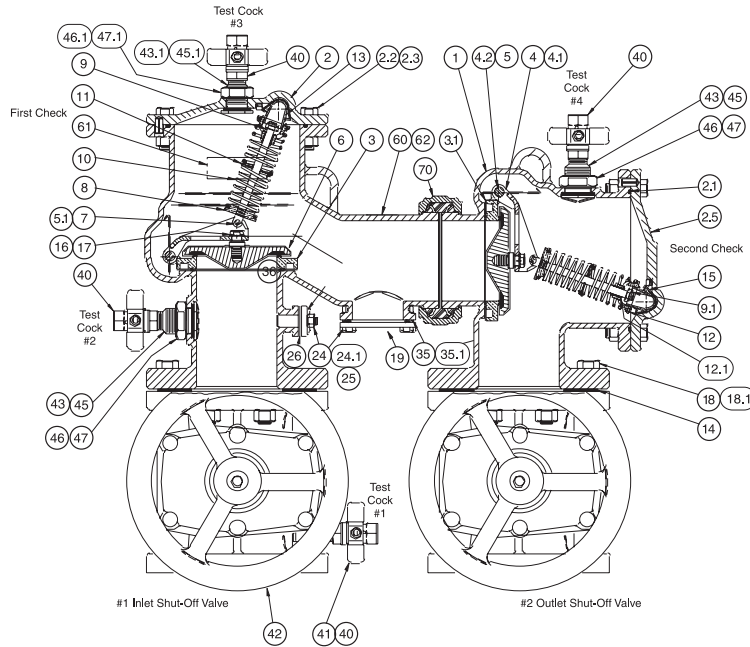
Contact FEBCO Representative for information on unlisted components for these older designs. To replace the entire assembly (recommended) use FEBCO Model LF860 Reduced Pressure Assembly and Spool Kit.

Supersedes all other price lists / Prices subject to change / Weights are estimated

¹Grooved ends available on all OS&Y gate valves in some models and sizes. Expect larger lead times.

Detailed maintenance manuals can be downloaded at www.FEBCOonline.com.

870, 870V/876, 876V 2 1/2" - 10" Double Check/ Double Check Detector Assemblies



Ordering Code	Style	Size	List Price
Disc Assembly			
905152	ALL	2 1/2" & 3"	\$ 225.50
905153	ALL	4"	225.50
905154	ALL	6"	281.00
905155	ALL	8"	522.50
400145	ALL	10"	539.50

Kit Includes: Items 6, 16, 17 (10", Item 6 only)

Ordering Code	Style	Size	List Price
Spring Module			
905142	870, 870V	2 1/2" & 3"	220.50
905143	870, 870V	4"	242.00
905144	870, 870V	6"	291.00
905145	870, 870V	8"	330.00
905146	870, 870V	10"	975.50
905147	876, 876V	2 1/2" & 3"	225.50
905148	876, 876V	4"	251.00
905149	876, 876V	6"	308.00
905150	876, 876V	8"	340.00
905151	876, 876V	10"	975.50

Kit Includes: Items 5.1, 7, 8, 9, 9.1, 10, 11, 12, 12.1

Ordering Code	Style	Size	List Price
Check Replacement Kit			
905528	870, 870V	2 1/2" & 3"	1,200.00
905534	870, 870V	4"	1,162.00
905537	870, 870V	6"	1,521.00
905539	870, 870V	8"	1,941.00
905540	870, 870V	10"	3,273.00
905530	876, 876V	2 1/2" & 3"	1,215.00
905536	876, 876V	4"	1,172.00
905538	876, 876V	6"	1,542.00
905541	876, 876V	8"	2,102.00
—	876, 876V	10"	N/A

Kit Includes: Items 2.1, and 3 - 17

Ordering Code	Style	Size	List Price
Seat Ring / Arm Assembly			
905157	ALL	2 1/2" & 3"	366.00
905158	ALL	4"	382.50
905159	ALL	6"	551.00
905160	ALL	8"	603.00
905161	ALL	10"	643.00

Kit Includes: Items 3, 3.1, 3.2, 3.4, 4, 4.1, 4.2, 5

Ordering Code	Style	Size	List Price
Rubber Parts Kit			
905162	ALL	2 1/2" & 3"	\$ 434.50
905163	ALL	4"	434.50
905164	ALL	6"	598.50
905165	ALL	8"	1,301.00
905166	ALL	10"	1,374.00

Kit Includes: Items 2.1, 3.1, 6, 15, 26, 35, 35.1, 45, 45.1

Ordering Code	Style	Size	List Price
Cover Assembly (Inlet Check)[†]			
905167	ALL	2 1/2" & 3"	366.00
905168	ALL	4"	416.00
905169	ALL	6"	480.50
905170	ALL	8"	551.00
905171	ALL	10"	570.50

Kit Includes: Items 2, 2.1, 15

Ordering Code	Style	Size	List Price
Cover Assembly (Outlet Check)[†]			
905244	ALL	2 1/2" & 3"	366.00
905245	ALL	4"	416.00
905246	ALL	6"	480.50
905247	ALL	8", 10"	551.00

Kit Includes: Items 2, 2.1, 15

Ordering Code	Style	Size	List Price
Bulkhead Fitting For Cover[†]			
905275	870, 870V	2 1/2", 3", 4"	48.50
905277	870, 870V	6", 8", 10"	64.75
905275	876, 876V	2 1/2", 3", 4"	48.50
905277	876, 876V	6", 8", 10"	64.75

Kit Includes: Items 43.1, 45.1, 46.1, 47.1

Ordering Code	Style	Size	List Price
Bulkhead Fitting For Body[†]			
905276	870, 870V	2 1/2", 3", 4"	59.25
905277	870, 870V	6", 8", 10"	64.75
905275	876, 876V	2 1/2"-10"	48.50

Kit Includes: Items 43, 45, 46, 47

[†] Bulkhead fittings are not furnished on late models. Very early productions may require a different bulkhead fitting. Consult your FEBCO representative for assistance.

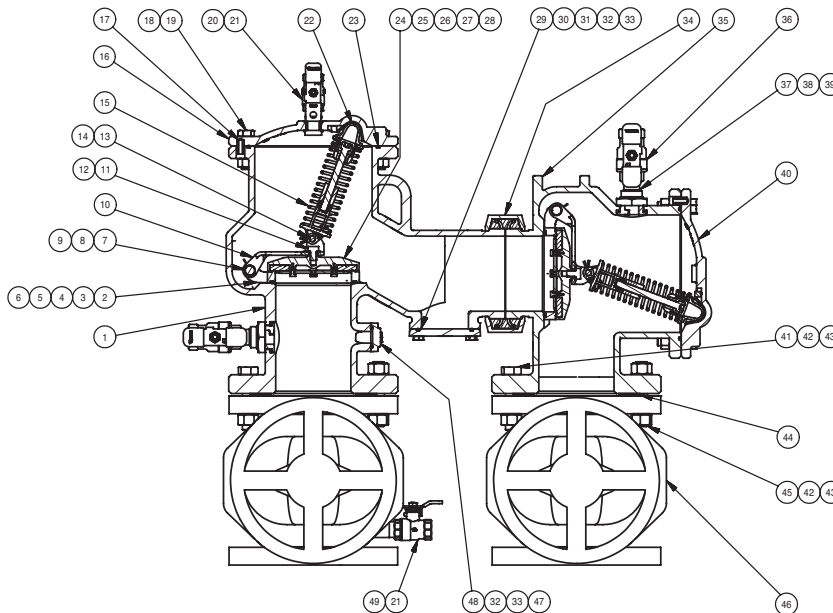
Supersedes all other price lists / Prices subject to change / Weights are estimated

¹Grooved ends available on all OS&Y gate valves in some models and sizes. Expect larger lead times.

Detailed maintenance manuals can be downloaded at www.FEBCOonline.com.

LF870V, 876VST, LF876V

2 1/2" - 10" Double Check/Double Check Detector Assemblies



Ordering Code	Style	Size	List Price
---------------	-------	------	------------

Disc Assembly

905466	ALL	2 1/2" & 3"	\$ 251.50
905467	ALL	4"	263.50
905468	ALL	6"	346.50
905469	ALL	8"	642.00
400145	ALL	10"	539.50

Kit Includes: Items 11, 12, 23, 24, 25, 26, 27, 28

Check Rubber Kit

905490	ALL	2 1/2" & 3"	144.00
905491	ALL	4"	156.50
905492	ALL	6"	180.50
905493	ALL	8"	299.00
905166	ALL	10"	1,374.00

Kit Includes: Items 3, 4, 23 and 25 Disk, Cover O-Ring, Port cover o-rings

Spring Module

905470	LF870 (1st & 2nd) 876ST, LF876 (1st)	2 1/2" & 3"	109.00
905471	LF870 (1st & 2nd) 876ST, LF876 (1st)	4"	139.50
905472	LF870 (1st & 2nd) 876ST, LF876 (1st)	6"	226.50
905473	LF870 (1st & 2nd) 876ST, LF876 (1st)	8"	251.50
905496	LF870 (1st & 2nd), LF876 (1st)	10"	277.50
905474	876ST (2nd)	2 1/2" & 3"	158.00
905475	876ST (2nd)	4"	182.50
905476	876ST (2nd)	6"	272.50
905477	876ST (2nd)	8"	265.00
905608	LF876 (2nd)	2 1/2" & 3"	154.50
905609	LF876 (2nd)	4"	178.50
905610	LF876 (2nd)	6"	266.50
905611	LF876 (2nd)	8"	259.50

Kit Includes: Item 15

Seat Ring / Arm Assembly

905486	ALL	2 1/2" & 3"	452.50
905487	ALL	4"	469.50
905488	ALL	6"	669.50
905489	ALL	8"	666.50
905501	ALL	10"	671.00

Kit Includes: Items 2, 3, 4, 5, 6, 7, 8, 9, 10

Ordering Code	Style	Size	List Price
---------------	-------	------	------------

Check Replacement Kit

905478	LF870 (1st & 2nd) 876ST, LF876 (1st)	2 1/2" & 3"	\$ 903.00
905479	LF870 (1st & 2nd) 876ST, LF876 (1st)	4"	1,138.00
905480	LF870 (1st & 2nd) 876ST, LF876 (1st)	6"	1,655.00
905481	LF870 (1st & 2nd) 876ST, LF876 (1st)	8"	2,414.00
905499	LF870 (1st & 2nd), LF876 (1st)	10"	3,800.00
905482	876ST (2nd)	2 1/2" & 3"	988.50
905483	876ST (2nd)	4"	1,195.00
905484	876ST (2nd)	6"	1,735.00
905485	876ST (2nd)	8"	2,595.00
905612	LF876 (2nd)	2 1/2" & 3"	963.50
905613	LF876 (2nd)	4"	1,164.00
905614	LF876 (2nd)	6"	1,690.00
905615	LF876 (2nd)	8"	2,532.00

Kit Includes: Items 2 thru 12, 15, 23 thru 28
Cover O-Rings on all Check Kits

Cover Assembly (Inlet Check LF870V, 876VST) (Outlet Check LF876V)

905167	ALL	2 1/2" & 3"	366.00
905168	ALL	4"	416.00
905169	ALL	6"	480.50
905170	ALL	8"	551.00
905171	ALL	10"	570.50

Kit Includes: Items 16, 17, 22, 23

Cover Assembly (Outlet Check LF870V)

905244	ALL	2 1/2" & 3"	366.00
905245	ALL	4"	416.00
905246	ALL	6"	480.50
905247	ALL	8"	551.00
905248	ALL	10"	554.50

Kit Includes: Items 17, 22, 23, 40

Bulkhead Fitting for Inlet Cover

905275	ALL	2 1/2", 3", 4"	48.50
905277	ALL	6", 8", 10"	64.75

Kit Includes: Items 20

Bulkhead Fitting for Body

905276	870V	2 1/2", 3", 4"	59.25
905277	870V	6", 8", 10"	64.75
905277	876V	2 1/2"-10"	64.75

Kit Includes: Items 37, 38, 39

*The wetted surface of this product contacted by consumable water contains less than 0.25% of lead by weight.

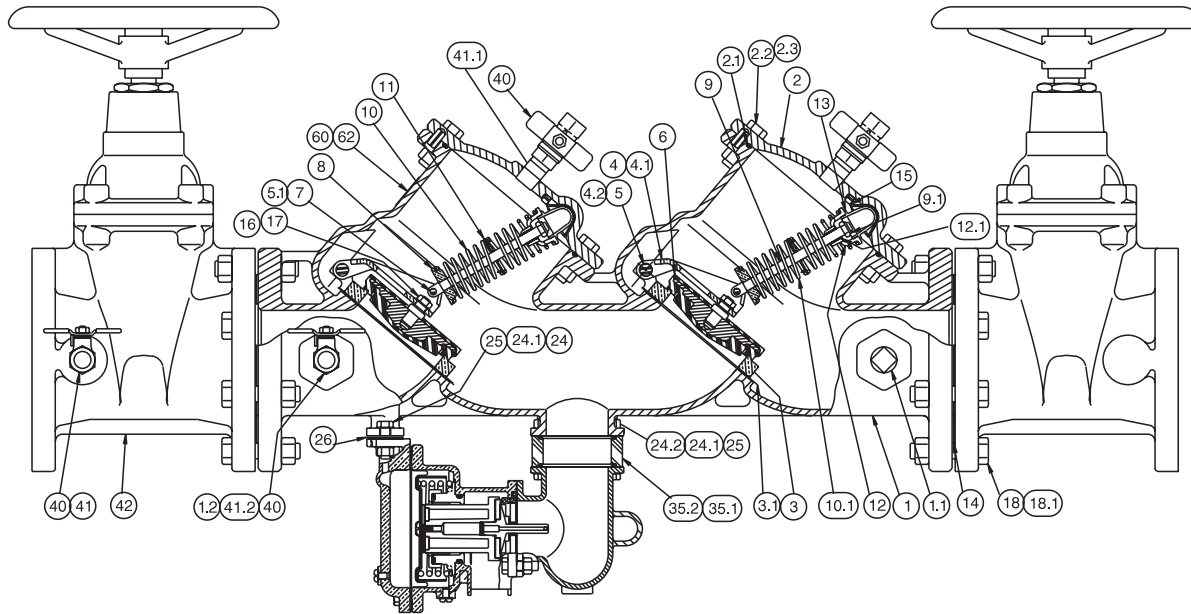
Supersedes all other price lists / Prices subject to change / Weights are estimated

¹Grooved ends available on all OS&Y gate valves in some models and sizes. Expect larger lead times.

Detailed maintenance manuals can be downloaded at www.FEBCOonline.com.

860

2 1/2" - 10" Reduced Pressure Zone Assemblies



Ordering Code	Style	Size	List Price
Disc Assembly			
905182	860	2 1/2" & 3"	\$ 225.50
905183	860	4"	225.50
905184	860	6"	281.00
905185	860	8", 10"	522.50

Kit Includes: Items 6, 16, 17

Ordering Code	Style	Size	List Price
Spring Module			
905172	INLET	2 1/2" & 3"	220.50
905173	INLET	4"	242.00
905174	INLET	6"	291.00
905175	INLET	8", 10"	330.00
905142	OUTLET	2 1/2" & 3"	220.50
905143	OUTLET	4"	242.00
905144	OUTLET	6"	291.00
905145	OUTLET	8", 10"	330.00

Kit Includes: Items 2.1, 5.1, 7, 8, 9, 9.1, 10, 11, 12, 12.1

Ordering Code	Style	Size	List Price
Check Replacement Kit			
905543	INLET	2 1/2" & 3"	1,055.00
905546	INLET	4"	1,187.00
905550	INLET	6"	1,675.00
905554	INLET	8", 10"	2,413.00
905527	OUTLET	2 1/2" & 3"	1,031.00
905547	OUTLET	4"	1,141.00
905551	OUTLET	6"	1,511.00
905555	OUTLET	8", 10"	2,089.00

Kit Includes: Items 2.1, and 3 - 17

Ordering Code	Style	Size	List Price
Seat Ring / Arm Assembly			
905157	860	2 1/2" & 3"	366.00
905158	860	4"	382.50
905159	860	6"	551.00
905160	860	8", 10"	603.00

Kit Includes: Items 3, 3.1, 3.2, 3.4, 4, 4.1, 4.2, 5

Ordering Code	Style	Size	List Price
Check Rubber Kit			
905409	860	2 1/2" & 3"	\$ 437.50
905410	860	4"	539.50
905411	860	6"	623.50
905412	860	8", 10"	1,001.00

Kit Includes: Items 2.1, 3.1, 6, 15-17, 26, 35, 35.1, 45, 45.1

Ordering Code	Style	Size	List Price
Full Rubber Kit			
905187	860	2 1/2" & 3"	670.50
905188	860	4"	670.50
905189	860	6"	766.00
905190	860	8", 10"	1,321.00

Kit Includes: (For two Checks and RV)

Ordering Code	Style	Size	List Price
Cover Assembly			
905167	With Bulkhead Fitting	2 1/2" & 3"	366.00
905168	With Bulkhead Fitting	4"	416.00
905169	With Bulkhead Fitting	6"	480.50
905170	With Bulkhead Fitting	8", 10"	551.00
905376	TAPPED	2 1/2" & 3"	366.00
905377	TAPPED	4"	416.00
905378	TAPPED	6"	480.50

Kit Includes: Items 2, 2.1, 15

For relief valve parts, see page 34.

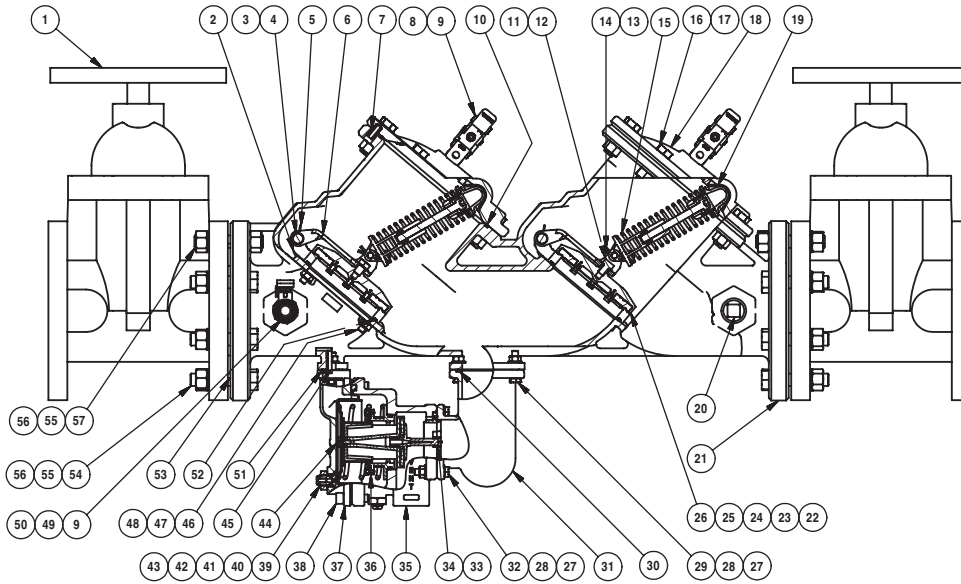
Supersedes all other price lists / Prices subject to change / Weights are estimated

¹Grooved ends available on all OS&Y gate valves in some models and sizes. Expect larger lead times.

Detailed maintenance manuals can be downloaded at www.FEBCOonline.com.

LF860, LF866

2 1/2" - 10" Reduced Pressure Zone Assemblies/Reduced Pressure Zone Detector Assemblies



Ordering Code	Style	Size	List Price
Disc Assembly			
LEAD FREE 905466	ALL	2 1/2" & 3"	\$ 251.50
905467	ALL	4"	263.50
905468	ALL	6"	346.50
905469	ALL	8" & 10" **	642.00
Kit Includes: Items 11, 12, 22, 23, 24, 25, 26			
Check Rubber Kit			
LEAD FREE 905490	ALL	2 1/2" & 3"	144.00
905491	ALL	4"	156.50
905492	ALL	6"	180.50
905493	ALL	8" & 10" **	299.00
Kit Includes: Items 10, 25, 30, and 51 and Seat Ring O-Rings			
Spring Module			
LEAD FREE 905507	LF860, 866 (1st)	2 1/2" & 3"	240.50
905508	LF860, 866 (1st)	4"	263.50
905509	LF860, 866 (1st)	6"	323.00
905510	LF860, 866 (1st)	8" & 10" **	358.00
LEAD FREE 905470	LF860 (2nd)	2 1/2" & 3"	109.00
905471	LF860 (2nd)	4"	139.50
905472	LF860 (2nd)	6"	226.50
905473	LF860 (2nd)	8" & 10" **	251.50
LEAD FREE 905608	866 (2nd)	2 1/2" & 3"	154.50
905609	866 (2nd)	4"	178.50
905610	866 (2nd)	6"	266.50
905611	866 (2nd)	8" & 10" **	259.50
Kit Includes: Item 15			
Seat Ring / Arm Assembly			
LEAD FREE 905486	ALL	2 1/2" & 3"	452.50
905487	ALL	4"	469.50
905488	ALL	6"	669.50
905489	ALL	8" & 10" **	666.50
Kit Includes: Items 2, 3, 4, 5, 6, 46, 47, 48, 52			

Ordering Code	Style	Size	List Price
Check Replacement Kit			
LEAD FREE 905511	LF860, 866 (1st)	2 1/2" & 3"	\$ 908.00
905512	LF860, 866 (1st)	4"	1,147.00
905514	LF860, 866 (1st)	6"	1,900.00
905515	LF860, 866 (1st)	8" & 10" **	2,823.00
LEAD FREE 905478	LF860 (2nd)	2 1/2" & 3"	903.00
905479	LF860 (2nd)	4"	1,138.00
905480	LF860 (2nd)	6"	1,655.00
905481	LF860 (2nd)	8" & 10" **	2,414.00
LEAD FREE 905612	866 (2nd)	2 1/2" & 3"	963.50
905613	866 (2nd)	4"	1,164.00
905614	866 (2nd)	6"	1,690.00
905615	866 (2nd)	8" & 10" **	2,532.00
Kit Includes: Check Assembly, Seat Ring Arm, Spring Assembly, and Disc Assembly. Cover O-Rings on all Check Kits			
Full Rubber Kit			
LEAD FREE 905535	ALL	2 1/2" & 3"	346.50
905566	ALL	4"	358.00
905579	ALL	6"	382.50
905580	ALL	8" & 10"	500.50
Kit Includes: (For Two Checks and RV)			
Cover Assembly			
905376	ALL	2 1/2" & 3"	366.00
905377	ALL	4"	416.00
905378	ALL	6"	480.50
Kit Includes: Items 7, 10, 18, 19			

** 10" uses 8" internals

*The wetted surface of this product contacted by consumable water contains less than 0.25% of lead by weight.

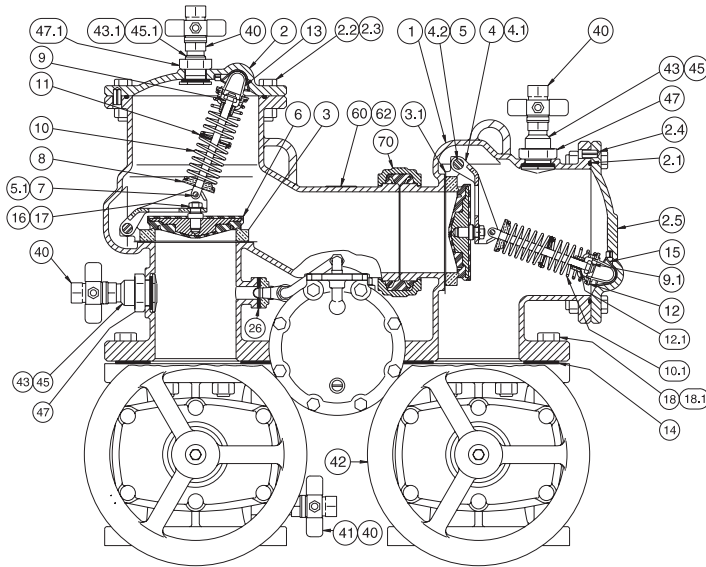
Supersedes all other price lists / Prices subject to change / Weights are estimated

¹Grooved ends available on all OS&Y gate valves in some models and sizes. Expect larger lead times.

Detailed maintenance manuals can be downloaded at www.FEBCOonline.com.

880, 880V

2 1/2" - 10" Reduced Pressure Zone Assemblies



Ordering Code	Style	Size	List Price
Disc Assembly			
905224	ALL	2 1/2" & 3"	\$ 225.50
905225	ALL	4"	225.50
905226	ALL	6"	281.00
905185	ALL	8"	522.50
400145	ALL	10"	539.50
Kit Includes: Items 6, 16, 17. (10", Item 6 only)			
Spring Module			
905172	INLET	2 1/2" & 3"	220.50
905173	INLET	4"	242.00
905174	INLET	6"	291.00
905175	INLET	8"	330.00
905176	INLET	10"	975.50
905142	OUTLET	2 1/2" & 3"	220.50
905143	OUTLET	4"	242.00
905144	OUTLET	6"	291.00
905145	OUTLET	8"	330.00
905146	OUTLET	10"	975.50
Kit Includes: Items 2.1, 5.1, 7, 8, 9, 9.1, 10, 11, 12, 12.1			
Check Replacement Kit			
905544	INLET	2 1/2" & 3"	1,019.00
905548	INLET	4"	1,148.00
905552	INLET	6"	1,691.00
905554	INLET	8"	2,413.00
905556	INLET	10"	3,596.00
905545	OUTLET	2 1/2" & 3"	997.00
905549	OUTLET	4"	1,108.00
905553	OUTLET	6"	1,532.00
905555	OUTLET	8"	2,089.00
905557	OUTLET	10"	3,280.00
Kit Includes: Items 2.1, and 3 - 17			

Ordering Code	Style	Size	List Price
Seat Ring / Arm Assembly			
905157	ALL	2 1/2" & 3"	\$ 366.00
905158	ALL	4"	382.50
905159	ALL	6"	551.00
905160	ALL	8"	603.00
905161	ALL	10"	643.00
Kit Includes: Items 3, 3.1, 3.2, 3.4, 4, 4.1, 4.2, 5			
Check Rubber Kit			
905413	ALL	2 1/2" & 3"	386.50
905414	ALL	4"	490.00
905415	ALL	6"	629.00
905412	ALL	8"	1,001.00
905416	ALL	10"	750.00
Kit Includes: Items 2.1, 3.1, 6, 15-17, 26, 35, 35.1, 45, 45.1			
Full Rubber Kit			
905227	ALL	2 1/2" & 3"	670.50
905228	ALL	4"	670.50
905229	ALL	6"	766.00
905190	ALL	8"	1,321.00
905191	ALL	10"	1,434.00
Kit Includes: For 2 Checks and RV			
Cover Assembly (Inlet Check)[†]			
905167	ALL	2 1/2" & 3"	366.00
905168	ALL	4"	416.00
905169	ALL	6"	480.50
905170	ALL	8"	551.00
905171	ALL	10"	570.50
Kit Includes: Items 2, 2.1, 15			
Cover Assembly (Outlet Check)[†]			
905244	ALL	2 1/2" & 3"	366.00
905245	ALL	4"	416.00
905246	ALL	6"	480.50
905247	ALL	8"	551.00
905248	ALL	10"	554.50
Kit Includes: Items 2, 2.1, 15			
Bulkhead Fittings[†]			
905275	FOR COVER	2 1/2", 3", 4"	48.50
905277	FOR COVER	6", 8", 10"	64.75
Bulkhead Fittings[†]			
905276	FOR BODY	2 1/2", 3", 4"	59.25
905277	FOR BODY	6", 8", 10"	64.75

[†] Bulkhead fittings are not furnished on late models. Very early productions of Model 876 may require a different bulkhead fitting. Consult your FEBCO representative for assistance.

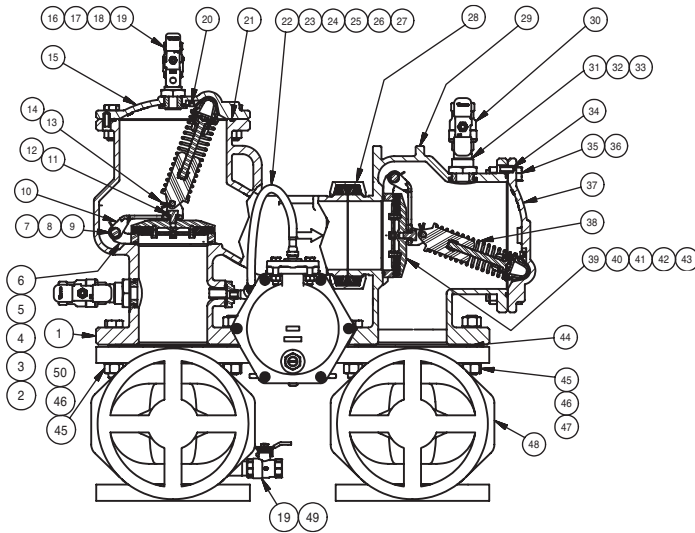
Supersedes all other price lists / Prices subject to change / Weights are estimated

¹Grooved ends available on all OS&Y gate valves in some models and sizes. Expect larger lead times.

Detailed maintenance manuals can be downloaded at www.FEBCOonline.com.

LF880V, LF886V

2 1/2" – 10" Reduced Pressure Zone Assemblies/ Reduced Pressure Zone Detector Assemblies



Ordering Code	Style	Size	List Price
Disc Assembly			
905466	ALL	2 1/2" & 3"	\$ 251.50
905467	ALL	4"	263.50
905468	ALL	6"	346.50
905469	ALL	8"	642.00
400145	ALL	10"	539.50

Kit Includes: Items 11, 12, 21, 39, 40, 41, 42, 43

Ordering Code	Style	Size	List Price
Check Rubber Kit			
905490	ALL	2 1/2" & 3"	144.00
905491	ALL	4"	156.50
905492	ALL	6"	180.50
905493	ALL	8"	299.00
905166	ALL	10"	1,374.00

Kit Includes: Items 4, 5, 21, 40

Ordering Code	Style	Size	List Price
Spring Module			
905507	LF880, LF886 (1st)	2 1/2" & 3"	240.50
905508	LF880, LF886 (1st)	4"	263.50
905509	LF880, LF886 (1st)	6"	323.00
905510	LF880, LF886 (1st)	8"	358.00
905584	LF880, LF886 (1st)	10"	662.50
905470	LF880 (2nd)	2 1/2" & 3"	109.00
905471	LF880 (2nd)	4"	139.50
905472	LF880 (2nd)	6"	226.50
905473	LF880 (2nd)	8"	251.50
905496	LF880 (2nd)	10"	277.50
905608	LF880 (2nd)	2 1/2" & 3"	154.50
905609	LF880 (2nd)	4"	178.50
905610	LF880 (2nd)	6"	266.50
905611	LF880 (2nd)	8"	259.50

Kit Includes: Item 38

Ordering Code	Style	Size	List Price
Seat Ring / Arm Assembly			
905486	ALL	2 1/2" & 3"	\$ 452.50
905487	ALL	4"	469.50
905488	ALL	6"	669.50
905489	ALL	8"	666.50

Kit Includes: Items 2 thru 10, 21

Ordering Code	Style	Size	List Price
Check Replacement Kit			
905511	LF880, LF886 (1st)	2 1/2" & 3"	908.00
905512	LF880, LF886 (1st)	4"	1,147.00
905514	LF880, LF886 (1st)	6"	1,900.00
905515	LF880, LF886 (1st)	8"	2,823.00
905589	LF880, LF886 (1st)	10"	4,193.00
905478	LF880 (2nd)	2 1/2" & 3"	903.00
905479	LF880 (2nd)	4"	1,138.00
905480	LF880 (2nd)	6"	1,655.00
905481	LF880 (2nd)	8"	2,414.00
905499	LF880 (2nd)	10"	3,800.00
905612	LF886 (2nd)	2 1/2" & 3"	963.50
905613	LF886 (2nd)	4"	1,164.00
905614	LF886 (2nd)	6"	1,690.00
905615	LF886 (2nd)	8"	2,532.00

Kit Includes: Items 2 thru 12, 21, 38, 39, 40, 41, 42, 43

Cover O-Rings on all Check Kits

Ordering Code	Style	Size	List Price
Cover Assembly (Inlet Check 880V, Outlet 886V)			
905167	ALL	2 1/2" & 3"	366.00
905168	ALL	4"	416.00
905169	ALL	6"	480.50
905170	ALL	8"	551.00
905171	ALL	10"	570.50

Kit Includes: Items 2,4, 15, 20, 21

Ordering Code	Style	Size	List Price
Cover Assembly (Outlet Check 880V)			
905244	ALL	2 1/2" & 3"	366.00
905245	ALL	4"	416.00
905246	ALL	6"	480.50
905247	ALL	8"	551.00
905248	ALL	10"	554.50

Kit Includes: Items 2,4, 20, 21, 37

Ordering Code	Style	Size	List Price
Bulkhead Fittings for Cover			
905275	ALL	2 1/2", 3", 4"	48.50
905277	ALL	6", 8", 10"	64.75

Kit Includes: Items 16, 17, 18

Ordering Code	Style	Size	List Price
Bulkhead Fittings for Body			
905276	LF880V	2 1/2", 3", 4"	59.25
905277	LF880V	6", 8", 10"	64.75
905277	LF886V	2 1/2" - 10"	64.75

Kit Includes: Items 31, 32, 33

*The wetted surface of this product contacted by consumable water contains less than 0.25% of lead by weight.

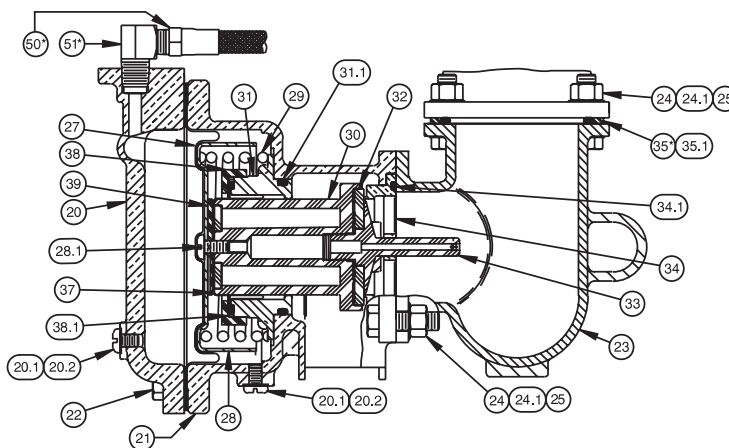
Supersedes all other price lists / Prices subject to change / Weights are estimated

¹Grooved ends available on all OS&Y gate valves in some models and sizes. Expect larger lead times.

860, 880

Relief Valve Repair Kits

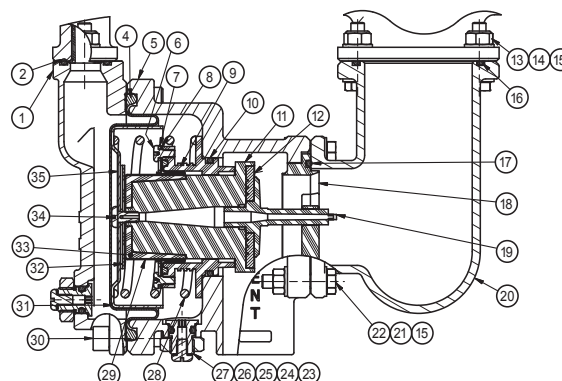
Ordering Code	List Price
RV Rubber Kit	
LEAD FREE 905316	\$ 190.50
Kit Includes: Items 26, 27, 31.1, 32, 34.1, 37	
RV Repair Parts Kit	
905192	470.50
Kit Includes: Items 26, 27, 28, 28.1, 29, 30, 31, 31.1, 32, 33, 34, 34.1, 37, 38, 38.1, 39	
Internal Module (Fully Assembled)	
905320	394.50
Kit Includes: Items 27, 28, 28.1, 29, 30, 31, 31.1, 32, 33, 37, 38, 38.1, 39	
Complete Relief Valve (860)	
905294	1,511.00
Kit Includes: Fully Assembled	
Complete Relief Valve (880V)	
905295	1,705.00
Kit Includes: Fully Assembled	



LF860, LF880V, LF866, LF886V

Relief Valve Repair Kits

Ordering Code	List Price
RV Rubber Kit	
LEAD FREE 905602	\$ 204.50
Kit Includes: Items 2, 4, 10, 12, 17 & 29	
RV Repair Parts Kit	
LEAD FREE 905603	394.50
Kit Includes: Items 2, 4, 6, 7, 8, 9, 10, 11, 12, 17, 18, 19, 28, 29, 31, 32, 33, 34 & 35	
Complete RV W/Elbows (LF860/LF866 2½" - 8")	
LEAD FREE 905606	1,247.00
Kit Includes: Fully Assembled	
Complete RV W/Elbows (LF880V, LF886V, LF860/LF866 10")	
LEAD FREE 905607	1,425.00
Kit Includes: Fully Assembled	



LF856, LF876V, LF866, LF886V

Bypass Assemblies and Bypass Repair Kits

Ordering Code	Size	List Price
LF856/LF866		
LEAD FREE 905629	2 1/2" - 4"	\$ 873.00
905630	6" - 10"	903.00
LF876V/LF886V		
LEAD FREE 905625	2 1/2" - 3"	960.00
905638	4"	975.50
905626	6"	985.00
905639	8"	995.00
905640	10"	1,006.00
Kit supplied loosely assembled		

LF856, LF876V, LF866, LF886V cont.

Bypass Assemblies and Bypass Repair Kits

Ordering Code	Size	List Price
LF856/LF886/LF876V/LF886V/Bypass Hose		
LEAD FREE 905631	2 1/2" - 4"	42.25
905632	6" - 10"	63.00
LFFRK 619 CK1 Bypass Check Repair Kit		
LEAD FREE 905633	2 1/2" - 10"	113.50
LFFRK 619 Bypass Check Assembly		
LEAD FREE 905634	2 1/2" - 10"	323.50

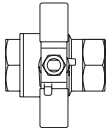
*The wetted surface of this product contacted by consumable water contains less than 0.25% of lead by weight.

Supersedes all other price lists / Prices subject to change / Weights are estimated

¹Grooved ends available on all OS&Y gate valves in some models and sizes. Expect larger lead times.

Detailed maintenance manuals can be downloaded at www.FEBCOonline.com.

Full Port Ball Valve



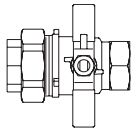
Model LF622F

Model LF622FT (Tapped)

	Ordering Code	Size	List Price
LEAD FREE*	LF622F (Non Tapped)		
	781047LL	1/2"	\$ 33.75
	781048LL	3/4"	39.50
	781049LL	1"	75.75
	781050LL	1 1/4"	131.00
	781051LL	1 1/2"	187.00
	781052LL	2"	242.00

	Ordering Code	Size	List Price
LEAD FREE*	LF622FT (Tapped)		
	781244LL	1/2"	\$ 36.75
	781053LL	3/4"	43.75
	781054LL	1"	81.25
	781055LL	1 1/4"	152.50
	781056LL	1 1/2"	199.00
	781057LL	2"	287.50

Union End Full Port Ball Valve



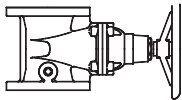
Model LF622UF

Model LF622UFT (Tapped)

	Ordering Code	Size	List Price
LEAD FREE*	LF622UF (Non Tapped)		
	781288LL	3/4"	\$ 61.50
	781289LL	1"	96.50
	781290LL	1 1/4"	213.00
	781291LL	1 1/2"	307.50
	781292LL	2"	429.50

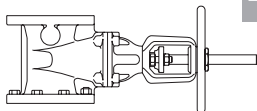
	Ordering Code	Size	List Price
LEAD FREE*	LF622UFT (Tapped)		
	781293LL	1/2"	\$ 61.50
	781294LL	3/4"	92.25
	781295LL	1"	121.50
	781297LL	1 1/2"	330.50
	781298LL	2"	514.00

Resilient Wedge Gate Valve



NRS Gate Valve

	Ordering Code	Size	List Price
LEAD FREE*	NRS RW Gate Valves		
	781005	2 1/2"	\$ 1,403.00
	781006	3"	1,438.00
	781007	4"	1,839.00
	781008	6"	2,590.00
	781009	8"	3,762.00
	781010	10"	6,594.00



OSY Gate Valve

	Ordering Code	Size	List Price
LEAD FREE*	OSY RW Gate Valves		
	780891	2 1/2"	\$ 1,839.00
	780893	3"	2,283.00
	780895	4"	2,296.00
	780897	6"	3,194.00
	780899	8"	5,509.00
	780901	10"	7,729.00

The resilient wedge gate valve consists of a cast iron, epoxy coated body, with fully rubber encapsulated wedge. The valve body is flanged and rated to 200 PSI and tapped for test cock requirements. The non-rising stem gate valve is tested to AWWA (C509 NRS). The outside stem and yoke gate valve is UL Listed and FM Approved. Customer needs to specify the gate valve manufacturer required on the project.


*The wetted surface of this product contacted by consumable water contains less than 0.25% of lead by weight.

Supersedes all other price lists / Prices subject to change / Weights are estimated

¹Grooved ends available on all OS&Y gate valves in some models and sizes. Expect larger lead times.

To locate your nearest FEBCO representative, please go to
FEBCOonline.com/pages/contact.asp

Represented by:



A WATTS Brand

USA: T: (800) 767-1234 • F: (800) 788-4491 • FEBCOonline.com
Canada: T: (888) 208-8927 • F: (905) 481-2316 • FEBCOonline.ca
Latin America: T: (52) 55-4122-0138 • FEBCOonline.com