

Zurn Wilkins Water Control & Water Safety

W0226 Customer Guide – North America



BY zurn • elkay
WATER SOLUTIONS

ZURN.COM USA 1.855.ONE.ZURN CAN 1.877.892.5216

Effective February 15, 2026
Replaces All Previous Price Lists

INTRODUCTION

GENERAL TERMS AND CONDITIONS	2
TABLE OF CONTENTS BY PRODUCT CATEGORIES	4
LEAD FREE	6

GENERAL TERMS AND CONDITIONS

Zurn Terms and Conditions for the United States

PRICE AND TERMS OF PAYMENT

Terms are net, payable 30 days from date of invoice. Zurn Credit must be identified of potential pricing errors within 30 days of invoice date. Shortage claims must be reported within 10 working days of receiving product to your local Zurn Rep or Zurn Customer Care. The Buyer shall pay all sales, consumers, or other applicable taxes. A 1-1/2% monthly (18% annual) service charge will be added to the outstanding balance of all past due invoices.

Minimum invoice \$250.00. Zurn Water, LLC ("Zurn") reserves the right to apply a minimum order charge in order to meet the \$250.00 minimum invoice requirement. All orders are subject to credit approval by the Zurn Credit Department prior to the acceptance of an order. Orders may be refused, delivery may be withheld, or shipment stopped in transit without any liability on Zurn's part at Zurn's sole discretion based upon Buyer's credit worthiness as determined by Zurn.

FREIGHT

All sales are F.O.B. seller's location. Zurn will allow full freight allowance when any of the following conditions are met: 1) Plumbing Fixtures only orders totaling \$10,000 or more; 2) Zurn One Systems orders of \$7,500 or more; 3) Any combination of Linear Drainage and/or Stainless Drains orders of \$5,000 or more; 4) Any combination of Specification Drainage, Finish Plumbing, and/or Zurn Wilkins of \$5,000 or more; 5) Commercial Drainage only orders of \$3,500 or more; 6) PEX orders of \$3,000 or more. This full freight allowance applies when the shipment is within the continental United States and has a single destination of a Buyer's standard address or job location. Routing of shipment shall be determined at the sole discretion of Zurn. Shipping dates are estimates and time of delivery shall not be of the essence of this sale contract. Under no circumstances will the Seller have any responsibility on account of any delays in manufacture, transportation, or otherwise. Terms of Export Shipment on application.

NOTE: Shipments in excess of 90" long or 3,000 lbs may be subject to additional charges, and shall be defined as an oversized and/or overweight product and Zurn's standard FFA terms may not apply. Please contact our Customer Service Department for guidance on potential additional shipping charges. This new policy supersedes any existing agreements.

These charges and restrictions apply in addition to Zurn standard terms and conditions for sale unless otherwise agreed upon by the parties.

LIMITED WARRANTY

Zurn goods sold hereunder are warranted to be free from defects in material and factory workmanship for the period of time from the date of purchase: AquaVantage® Flush Valves, AquaFlush® Flush Valves, Commercial Fixtures, Faucets, Showers, and Tubular Brass: three years; Chemical Drainage, Linear Drainage, Commercial Drainage, Specification Drainage, Zurn Wilkins, and Flush Valve, Faucets, and Tubular Brass decorative finishes: one year; PHIX® Cartridge: ten years; FOG-ceptor®: thirty years. Where permitted by law, **THE IMPLIED WARRANTY OF MERCHANTABILITY IS LIMITED TO THE ABOVE IDENTIFIED PERIOD OF TIME AND SHALL BE LIMITED SOLELY TO THE REPLACEMENT OF THE DEFECTIVE GOODS.** A damaged/broken test cock or ball valve is not considered defective. Please contact Zurn Customer Care for assistance.

Zurn will replace goods at no cost that prove defective provided Zurn is notified in writing of such defect and the goods are returned prepaid at the specified Zurn location with evidence that they have been properly maintained and used in accordance with instructions. **ZURN SHALL NOT BE RESPONSIBLE FOR ANY LABOR CHARGES OR ANY LOSS, INJURY, OR DAMAGES WHATSOEVER, INCLUDING, BUT NOT LIMITED TO, INCIDENTAL OR CONSEQUENTIAL DAMAGES.** The sole and exclusive remedy shall be limited to the replacement of the defective goods. Before installation and use, the purchaser shall determine the suitability of the product for his intended use and the purchaser assumes all risk and liability whatever in the connection therewith. All weights stated in Zurn catalogs and lists are approximate and are not guaranteed.

RETURNED GOODS

Standard cataloged material may be returned only with the written permission of Zurn. Returned goods are subject to a 25% restocking charge of total saleable material returned, plus the cost of reconditioning, if necessary, to make material sellable. Transportation charges are the responsibility of the Buyer. Credit allowance will be in the form of merchandise credit only – not cash credit. The value of the return must total at least \$100.00 to qualify for credit allowance. No credit will be allowed for parts unless originally ordered and invoiced as parts. No credit will be allowed for discontinued or made-to-order items. Items that have been specially made are not subject to return or cancellation except by special negotiation. Material must be returned within one year of invoice date for credit to be issued for Commercial Fixtures, Flush Valve Products, Specification Drainage, Tubular Brass, Zurn Wilkins, Chemical Drainage, Linear Drainage, and Commercial Drainage. No credit is allowed for Linear Drainage products that have been cut and Specification Drainage product with auxiliary tapings. Flush Valve material over one year old will be subject to a 50% handling charge. Flush Valve material over five years old will not be accepted. Commercial Drainage and Specification Drainage galvanized material will be credited at value of Dura-Coated cast iron, and chrome-plated at value of bronze. Zurn Wilkins damaged/broken test cocks or ball valves are not considered defective.

ILLUSTRATIONS OF TYPICAL INSTALLATIONS

The typical installations for various products found in each product section are intended to illustrate the products and potential options for the use of these products. Under no circumstances are they to be construed as recommended installation procedures. Consult local codes and project specifications for proper installation instructions.

SHORTAGE/DAMAGE CLAIMS

Notification of material shortages or incorrect filling of orders must be made to Zurn within 10 days of receipt. No claims over three months old will be honored. Buyer agrees to make all complaints for damage in transit or "short count" directly to the carrier; before the contents are unloaded have the carrier agent's acknowledgment of such damage noted on the bill of lading and to present to the carrier its agent's acknowledgment of such damaged material with formal claim covering said damage.

GENERAL

Zurn reserves the right to make changes in design or equipment of any item or product without incurring any obligation on previously sold items, and to discontinue items at any time, without notice. Possession of this Catalog or other sales literature is not to be construed as an offer to sell. All orders are subject to acceptance by Zurn. Catalog printed in U.S.A.

Zurn flush valves are designed to comply with Army Corp of Engineers and Naval guide specifications, Military Specification MIL.V.29193 and Federal Specification WWP541.

Zurn flush valves comply with the following standards: ASME A112.18.1/CSA B125.1, A112.19.5, A112.19.2, A112.19.6, ASSE 1037 and 101 are listed by the following agencies: Canadian Standards, IAPMO/UPC/CUPC, and CSA 125.3. Zurn flush valves are manufactured from dezincification resistant alloys. For additional compliances, contact Zurn Water, LLC, Finish Plumbing Operation, or 1-800-997-3876.

Zurn is not responsible for typographical errors. The contents of this guide are subject to revision without notice.

© 2026 Zurn Water, LLC Items in this guide may be covered by U.S. and foreign Patents and Patents Pending. Registered Trademarks.

GENERAL TERMS AND CONDITIONS

Zurn Terms and Conditions for Canada

PRICE AND TERMS OF PAYMENT

Terms are net, payable 30 days from date of invoice. Zurn Credit must be identified of potential pricing errors within 30 days of invoice date. Shortage claims must be reported within 10 working days of receiving product to your local Zurn Rep or Zurn Customer Care. The Buyer shall pay all sales, consumers, or other applicable taxes. A 1-1/2% monthly (18% annual) service charge will be added to the outstanding balance of all past due invoices.

Minimum invoice \$100.00. Zurn Water, LLC ("Zurn") reserves the right to apply a minimum order charge in order to meet the \$100.00 minimum invoice requirement. All orders are subject to credit approval by the Zurn Credit Department prior to the acceptance of an order. Orders may be refused, delivery may be withheld, or shipment stopped in transit without any liability on Zurn's part at Zurn's sole discretion based upon Buyer's credit worthiness as determined by Zurn.

FREIGHT

Zurn Canada is pleased to provide an industry-leading \$3,500 combined prepaid freight amount, not including Zurn Green Turtle product sales.

All sales are F.O.B. seller's location. Routing of shipment shall be determined at the sole discretion of Zurn. Shipping dates are estimates and time of delivery shall not be of the essence of this sale contract. Under no circumstances will the Seller have any responsibility on account of any delays in manufacture, transportation, or otherwise.

NOTE: Any product dimension larger than 92" or any single item weighing more than 3,500 lb, shall be defined as an oversized and/or overweight product and Zurn's standard FFA terms may not apply. Please contact our customer service department for guidance on potential additional shipping charges.

These charges and restrictions apply in addition to Zurn standard terms and conditions for sale unless otherwise agreed upon by the parties.

LIMITED WARRANTY

Zurn goods sold hereunder are warranted to be free from defects in material and factory workmanship for the period of time from the date of purchase: AquaVantage® Flush Valves, AquaFlush® Flush Valves, Commercial Fixtures, Faucets, Showers, and Tubular Brass: three years; Chemical Drainage, Trench Drainage, Commercial Drainage, Specification Drainage, Zurn Wilkins, and Flush Valve and Tubular Brass decorative finishes: one year, PHIX® Cartridge ten years. Where permitted by law, **THE IMPLIED WARRANTY OF MERCHANTABILITY IS LIMITED TO THE ABOVE IDENTIFIED PERIOD OF TIME AND SHALL BE LIMITED SOLELY TO THE REPLACEMENT OF THE DEFECTIVE GOODS.** A damaged/broken test cock or ball valve is not considered defective. Please contact Zurn Customer Care for assistance.

Zurn will replace goods at no cost that prove defective provided Zurn is notified in writing of such defect and the goods are returned prepaid at the specified Zurn location with evidence that they have been properly maintained and used in accordance with instructions. **ZURN SHALL NOT BE RESPONSIBLE FOR ANY LABOR CHARGES OR ANY LOSS, INJURY, OR DAMAGES WHATSOEVER, INCLUDING, BUT NOT LIMITED TO, INCIDENTAL OR CONSEQUENTIAL DAMAGES.** The sole and exclusive remedy shall be limited to the replacement of the defective goods. Before installation and use, the purchaser shall determine the suitability of the product for his intended use and the purchaser assumes all risk and liability whatever in the connection therewith. All weights stated in Zurn catalogs and lists are approximate and are not guaranteed.

RETURNED GOODS

Standard cataloged material may be returned only with the written permission of Zurn. Returned goods are subject to a 25% restocking charge of total saleable material returned, plus the cost of reconditioning, if necessary, to make material sellable. Transportation charges are the responsibility of the Buyer. The value of the return must total at least \$100.00 to qualify for credit allowance. No credit will be allowed for parts unless originally ordered and invoiced as parts. No credit will be allowed for discontinued or made-to-order items. Items that have been specially made are not subject to return or cancellation except by special negotiation. Material must be returned within one year of invoice date for credit to be issued. Commercial Drainage and Specification Drainage galvanized material will be credited at value of Dura-Coated cast iron, and chrome plated at value of bronze. Zurn Wilkins damaged/broken test cocks or ball valves are not considered defective.

ILLUSTRATIONS OF TYPICAL INSTALLATIONS

The typical installations for various products found in each product section are intended to illustrate the products and potential options for the use of these products. Under no circumstances are they to be construed as recommended installation procedures. Consult local codes and project specifications for proper installation instructions.

SHORTAGE/DAMAGE CLAIMS

Notification of material shortages or incorrect filling of orders must be made to Zurn within 10 days of receipt. No claims over three months old will be honored. Buyer agrees to make all complaints for damage in transit or "short count" directly to the carrier; before the contents are unloaded have the carrier agent's acknowledgment of such damage noted on the bill of lading and to present to the carrier its agent's acknowledgment of such damaged material with formal claim covering said damage.

GENERAL

Zurn reserves the right to make changes in design or equipment of any item or product without incurring any obligation on previously sold items, and to discontinue items at any time, without notice. Possession of this Catalog or other sales literature is not to be construed as an offer to sell. All orders are subject to acceptance by Zurn. Catalog printed in U.S.A.

Zurn flush valves are designed to comply with Army Corp of Engineers and Naval guide specifications, Military Specification MIL.V.29193 and Federal Specification WWP541.

Zurn flush valves comply with the following standards: ASME A112.18.1/CSA B125.1, A112.19.5, A112.19.2, A112.19.6, ASSE 1037 and 101 are listed by the following agencies: Canadian Standards, IAPMO/UPC/CUPC, and CSA 125.3. Zurn flush valves are manufactured from dezincification resistant alloys. For additional compliances, contact Zurn Water, LLC, Commercial Brass Operation, or 1-800-997-3876.

Zurn is not responsible for typographical errors. The contents of this guide are subject to revision without notice.

© 2026 Zurn Water, LLC Items in this guide may be covered by U.S. and foreign Patents and Patents Pending. Registered Trademarks.

TABLE OF CONTENTS BY PRODUCT CATEGORIES

GENERAL TERMS AND CONDITIONS	2	420XL SERIES – PRESSURE VACUUM BREAKER	47
TABLE OF CONTENTS BY PRODUCT CATEGORIES	4	460XL SERIES – SPILL RESISTANT PRESSURE VACUUM BREAKER	47
LEAD FREE	6	710 SERIES – PRESSURE VACUUM BREAKER	48
BACKFLOW PREVENTERS	7	720A SERIES – PRESSURE VACUUM BREAKER	49
300 SERIES PRODUCT DECODER	8	700XL SERIES – DUAL CHECK VALVE	50
350XL/350 SERIES – DOUBLE CHECK VALVE ASSEMBLY	9	700XLFP SERIES – DUAL CHECK VALVE	50
950XL2/950XLT SERIES – TOP ACCESS DOUBLE CHECK VALVE ASSEMBLY	10	705 SERIES – DUAL CHECK VALVE	51
950XL SERIES – DOUBLE CHECK VALVE ASSEMBLY	11	730/735 SERIES – LABORATORY FAUCET VACUUM BREAKER	51
350AST SERIES – DOUBLE CHECK VALVE ASSEMBLY WITH STAINLESS STEEL BODY	11	740 SERIES – BACKFLOW PREVENTER FOR VENDING MACHINE WATER SUPPLY	52
950XL3 SERIES – DOUBLE CHECK VALVE ASSEMBLY	12	760 SERIES – DUAL CHECK WITH ATMOSPHERIC VENT	52
350A/350 SERIES – DOUBLE CHECK VALVE ASSEMBLY	14	40XL2 SERIES – IN-LINE SINGLE CHECK VALVE	53
450ST SERIES – DOUBLE CHECK VALVE ASSEMBLY WITH STAINLESS STEEL BODY	16	35XL SERIES – ATMOSPHERIC VACUUM BREAKER	53
450 SERIES – DOUBLE CHECK VALVE ASSEMBLY	17	BFP-9 & BFP-8F SERIES – HOSE CONNECTION VACUUM BREAKER	54
950XLTDA SERIES – DOUBLE CHECK DETECTOR ASSEMBLY	18	BACKFLOW PREVENTERS ACCESSORIES	55
350ASTDA SERIES – DOUBLE CHECK DETECTOR ASSEMBLY WITH STAINLESS STEEL BODY	19	WBR SERIES – IN BUILDING RISERS	56
350ADA/350DA SERIES – DOUBLE CHECK DETECTOR ASSEMBLY	20	ZWFR – FREEZE RELIEF VALVE	56
450STDA SERIES – DOUBLE CHECK DETECTOR ASSEMBLY WITH STAINLESS STEEL BODY	22	BVMS – BALL VALVE MONITOR SWITCH	57
450DA SERIES – DOUBLE CHECK DETECTOR ASSEMBLY	23	OSY-40 – GATE VALVE SUPERVISORY SWITCH KIT	57
375XL/375 SERIES – REDUCED PRESSURE PRINCIPLE ASSEMBLY	24	850XL SERIES – FULL PORT BALL VALVE	57
375XLB SERIES – THEFT PREVENTION REDUCED PRESSURE PRINCIPLE ASSEMBLY	25	48 SERIES – NRS GATE VALVE	58
375ST SERIES – STAINLESS STEEL REDUCED PRESSURE PRINCIPLE ASSEMBLY	25	48OSY SERIES – OS&Y GATE VALVE	58
975XL2/975XL SERIES – REDUCED PRESSURE PRINCIPLE ASSEMBLY	26	48PIV – POST INDICATOR GATE VALVE	59
975XLST SERIES – STAINLESS STEEL REDUCED PRESSURE PRINCIPLE ASSEMBLY	26	F48OSYF SERIES – FIRE OS&Y UNTAPPED GATE VALVE	59
975XL2SE / 975XL2SEU SERIES – REDUCED PRESSURE PRINCIPLE ASSEMBLY WITH 90° STREET ELBOW	27	49 SERIES – BUTTERFLY VALVE	60
975XL3 SERIES – REDUCED PRESSURE PRINCIPLE ASSEMBLY	28	FLUSH FITTING TOOLS – 350/375 BACKFLOW PREVENTERS	60
375AST SERIES – REDUCED PRESSURE PRINCIPLE ASSEMBLY WITH STAINLESS STEEL BODY	29	TG-3 AND TG-5 – BACKFLOW ASSEMBLY TEST KITS	60
375A/375 SERIES – REDUCED PRESSURE PRINCIPLE ASSEMBLY	30	QT-SET (BRASS) AND QTP (PLASTIC) – QUICK TEST FITTINGS	61
475ST/475STV SERIES – REDUCED PRESSURE PRINCIPLE ASSEMBLY WITH STAINLESS STEEL BODY	32	400 SERIES SETTER	61
475/475V SERIES – REDUCED PRESSURE PRINCIPLE ASSEMBLY	34	400ST SERIES SETTER	61
375W1/375AW1/375ASTW1 SERIES AND W1 RETROFIT KIT – CONNECTED BACKFLOW W/ WIRELESS MONITOR (2-1/2" - 10")	36	RFK4X3-400ST – 4" X 3" SETTER ADAPTERS FOR 400ST SERIES	62
GATEWAY	36	AG SERIES – AIR GAP	62
FCIS SERIES – CONNECTED FLOOD CONTROL SYSTEM (2-1/2" - 10") / FLOOD CONTROL INTEGRATED SYSTEM (1-1/4" - 2")	37	STRAINERS	63
GATEWAY	37	YBXL SERIES – WYE STRAINER	64
ZCSM-PF AND ZCSM-BTM – CONNECTED PRESSURE MONITOR (ZCSM-PF) WITH OPTIONAL CONNECTED FLOW METER (ZCSM-BTM)	38	SXL SERIES – WYE STRAINER	65
GATEWAY	38	FSC SERIES – WYE STRAINER	65
975XLHBM SERIES – HYDRANT BACKFLOW AND METER VALVE	39	AUTOMATIC CONTROL VALVES	67
RPHBM SERIES – HIGH CAPACITY HYDRANT BACKFLOW AND METER COMBINATION	39	ACV PART NUMBER CONFIGURATION TOOL	68
375ASTDA SERIES – REDUCED PRESSURE PRINCIPLE DETECTOR ASSEMBLY WITH STAINLESS STEEL BODY	40	ZW209 SERIES – PRESSURE REDUCING VALVE	69
375ADA/375DA SERIES – REDUCED PRESSURE PRINCIPLE DETECTOR ASSEMBLY	42	ZW207 SERIES – EXCESS PRESSURE SHUT-OFF VALVE	70
475STDA/475STDAV SERIES – REDUCED PRESSURE PRINCIPLE DETECTOR ASSEMBLY WITH STAINLESS STEEL BODY	44	ZW206 SERIES – SOLENOID CONTROL VALVE	71
475DA/475DAV SERIES – REDUCED PRESSURE PRINCIPLE DETECTOR ASSEMBLY	45	ZW205 SERIES – PRESSURE RELIEF, PRESSURE SUSTAINING VALVE	72
310/310DA SERIES – SINGLE CHECK VALVE ASSEMBLY	46	ZW204 SERIES – NON-MODULATING FLOAT VALVE	73
		ZW218 SERIES – SLOW CLOSE CHECK VALVE	74
		ZW221/ZW222 SERIES – ALTITUDE LEVEL CONTROL VALVES	75
		ZW209FP SERIES – FIRE PROTECTION PRESSURE REDUCING VALVE	76
		ZW205FP SERIES – FIRE PROTECTION PRESSURE RELIEF VALVE	77
		ZW215FP SERIES – FIRE PUMP SUCTION CONTROL VALVE	78

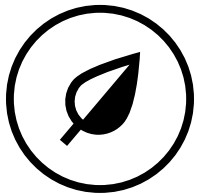
TABLE OF CONTENTS BY PRODUCT CATEGORIES

AUTOMATIC CONTROL VALVE OPTIONS AND ACCESSORIES	79	FP63 SERIES - MECHANICAL TEES – GROOVED (G), THREADED (TF), U-BOLT (LTF)	104
PRESSURE REDUCING VALVES	81	FP8 SERIES - GROOVED FLANGES	105
20XL SERIES – PRESSURE REDUCING VALVE	82	FP51 SERIES - GROOVED REDUCERS	105
NR3XL SERIES – PRESSURE REDUCING VALVE	83	THERMOSTATIC MIXING VALVES	107
70XL SERIES – PRESSURE REDUCING VALVE	84	ZW1017XL – AQUA-GARD® THERMOSTATIC MIXING VALVE (ASSE 1017 POINT OF SOURCE)108	
500XL3 SERIES – PRESSURE REDUCING VALVE	85	ZW1017XLHT – AQUA-GARD® THERMOSTATIC MIXING VALVE (ASSE 1017 POINT OF SOURCE)	109
500XL SERIES – PRESSURE REDUCING VALVE	86	ZW1070XL – AQUA-GARD® THERMOSTATIC MIXING VALVE (ASSE 1070 POINT OF USE)	110
500XLYSBR SERIES – PRESSURE REDUCING VALVE	86	ZW3870XL – THERMOSTATIC MIXING VALVE (ASSE 1070 POINT OF USE)	111
510XL SERIES – OPTION FOR 500XL	86	THERMOSTATIC MIXING VALVES ACCESSORIES	112
500XLFC SERIES – PRESSURE REDUCING VALVE	87	TPKXL SERIES – TAILPIECE KITS	112
510XLFC SERIES – OPTION FOR 500XLFC	87	RELIEF VALVES	113
600XL3 SERIES – PRESSURE REDUCING VALVE	88	TP1100A SERIES – RESIDENTIAL TEMPERATURE AND PRESSURE VALVE	114
625XL3 SERIES – OPTION FOR 600XL3	88	TP220 SERIES – COMMERCIAL TEMPERATURE AND PRESSURE VALVE	114
600XL SERIES – PRESSURE REDUCING VALVE	89	TP3000 SERIES – COMMERCIAL TEMPERATURE AND PRESSURE VALVE	115
610XL SERIES – OPTION FOR 600XL	89	P1000AXL SERIES – PRESSURE RELIEF VALVE	116
625XL SERIES – OPTION FOR 600XL	89	P1500XL SERIES – CALIBRATED PRESSURE RELIEF VALVE	116
WATER PRESSURE REDUCING VALVE ACCESSORIES	90	P1520XL/1550XL SERIES – THERMAL EXPANSION PRESSURE RELIEF VALVE	117
TPKXL SERIES – TAILPIECE KITS	90	HBRV – HOSE BIBB RELIEF VALVE	117
25 SERIES – PRESSURE GAUGES	91	MISCELLANEOUS PLUMBING PRODUCTS	119
FIRE PROTECTION VALVES	93	ZCSM-RP – CONNECTED REMOTE PRESSURE MONITOR	120
ZW5000 SERIES – PRESSURE-TRU® FIRE HOSE VALVES	94	GATEWAY	120
ZW5004 SERIES – PRESSURE-TRU® FIRE FLOOR CONTROL VALVES	94	XT SERIES – POTABLE WATER EXPANSION TANK	121
Z3004 SERIES – PRESSURE-TRU® FIRE FLOOR CONTROL VALVES	95	WXTP SERIES – POTABLE WATER EXPANSION TANK	121
ZW4004 SERIES – PRESSURE-TRU® FIRE FLOOR CONTROL VALVES	95	WTTA SERIES – ASME THERMAL EXPANSION TANK	122
ZW4000 SERIES – PRESSURE-TRU® FIRE HOSE VALVES	96	HXT SERIES – HYDRONIC EXPANSION TANK	122
Z3000/Z3005 SERIES – PRESSURE-TRU® FIRE HOSE VALVES	96	BVECXL SERIES – WATER HEATER SHUT-OFF VALVE WITH INTEGRAL THERMAL EXPANSION RELIEF VALVE	123
ZW4104 SERIES – PRESSURE-TRU® FIRE FLOOR CONTROL VALVES	97	1260XL SERIES – WATER HAMMER ARRESTERS	124
ZW4100 SERIES – PRESSURE-TRU® FIRE HOSE VALVES	97	25 SERIES – PRESSURE GAUGE	124
F100/F100G SERIES – FIRE HOSE VALVES	98	VR10XL SERIES – VACUUM RELIEF VALVE	125
F49BR/F49BRG SERIES – POWERBALL BUTTERFLY VALVES	98	DUXL/DUXLC SERIES – DIELECTRIC UNIONS	126
F49 SERIES – FIRE BUTTERFLY VALVES	99	REPAIR KITS	127
F210R SERIES – RISER CHECKS	99	LARGE DIAMETER BACKFLOW PREVENTER REPAIR KITS	128
P4000A – PRESSURE RELIEF VALVES	100	350/450 REPAIR KITS	128
COUPLINGS AND FITTINGS	101	375/475 REPAIR KITS	128
FP23 SERIES - COUPLINGS – SINGLE BOLT (EZ1), RIGID (R), FLEX (F), REDUCING	101	FIRST CHECK ASSEMBLY	128
FP52 SERIES - ELBOWS – 90° STANDARD RADIUS, 90° SHORT RADIUS (S), 45° STANDARD RADIUS (-45), 22.5° STANDARD RADIUS (-22), 11.25° STANDARD RADIUS (-11), END OF RUN ADAPTER (GTF)	102	SECOND CHECK ASSEMBLY	128
FP53 SERIES - TEES – STANDARD RADIUS, SHORT RADIUS (S), REDUCING BRANCH	103	950/975 REPAIR KITS	129
FP56 SERIES - CROSSES	103	BY-PASS VALVES	
FP3 SERIES - CAPS	103	FOR DETECTOR ASSEMBLIES REPAIR KITS	129
		CHECK SEAT RETAINER	129
		DOUBLE CHECK DETECTOR ASSEMBLY BYPASS REPLACEMENT KIT	129
		RP DETECTOR ASSEMBLY BYPASS REPLACEMENT KIT	129
		SMALL DIAMETER BACKFLOW PREVENTER REPAIR KITS	130
		350XL/350 REPAIR KITS	130
		375XL/375 REPAIR KITS	130

TABLE OF CONTENTS BY PRODUCT CATEGORIES

950XLT2/950XLT/950XL/ 950 REPAIR KITS	130	BVHDXL – GREEN STAINLESS STEEL BALL VALVE HANDLES WITH STAINLESS STEEL NUT	132
975XL2/975XL/975 REPAIR KITS	130	860XL – LEAD FREE TEST COCKS (SET)	132
PRESSURE VACUUM BREAKER REPAIR KITS	131	860XLFT – LEAD FREE FAST-TEST COCKS WITH INTEGRAL SAE FITTINGS (SET)	132
420XL/420 REPAIR KITS	131	860XL SERIES – BALL VALVE TEST COCKS (EACH)	133
460XL/460 REPAIR KITS	131	RK-975TOOL – COMPLETE SET OF 950XL/975XL SEAT REMOVAL TOOLS	133
720A REPAIR KITS	131	RK-BVTOOL – BALL VALVE HANDLE SOCKETS 3/4", 1", 1-1/4", 1-1/2", AND 2"	133
ATMOSPHERIC VACUUM BREAKER REPAIR KIT	131	RPHBM REPAIR KITS	133
DUAL CHECK ASSEMBLY REPAIR KITS	131	FIRE VALVE REPAIR KITS	133
AUTOMATIC CONTROL VALVE REPAIR KITS	131	LIST PRICING	135
PRESSURE REDUCING VALVE REPAIR KITS	132	INDEX	220
MISCELLANEOUS PARTS AND REPAIR KITS	132	TABLE OF CONTENTS IN ALPHABETICAL ORDER	221
QT/QTP – QUICK TEST BACKFLOW TEST FITTINGS	132		
BVHD – BLUE STAINLESS STEEL BALL VALVE HANDLES WITH STAINLESS STEEL NUT	132		

LEAD FREE



XL LEAD FREE

On January 4th, 2014, changes to the Safe Drinking Water Act went into effect which mandate that all commercial plumbing fixtures, valves, pipes, and fittings that are directly intended for human water consumption are required to be manufactured with less than .25% leaded brass content.

The majority of Wilkins plumbing products fall within this category and as such have been changed to "lead-free" meaning they are compliant. Exceptions exist for product used in non-potable applications such as fire protection and irrigation, and therefore these products have not been converted. For purposes of this catalog, such products are referred to as "lead-free exempt". Finally, there are Wilkins products which may fall into either category based on the final application in which they are used. In such instances you will notice pricing for both "lead-free" and "lead-free exempt" part numbers.

BACKFLOW PREVENTERS

Wilkins backflow products offer the greatest value of any backflow preventer on the market. Wilkins offers a variety of configurations to meet your needs, as well as reliable proven designs with an emphasis on maintenance, repair, and total cost of ownership.

Use this catalog to help guide you to your specific product needs, then follow up by visiting www.zurn.com or contact a Wilkins customer care representative for more information.

300 SERIES PRODUCT DECODER	8	375W1/375AW1/375ASTW1 SERIES AND W1 RETROFIT KIT – CONNECTED BACKFLOW W/ WIRELESS MONITOR (2-1/2" - 10")	36
350XL/350 SERIES – DOUBLE CHECK VALVE ASSEMBLY	9	FCIS SERIES – CONNECTED FLOOD CONTROL SYSTEM (2-1/2" - 10") / FLOOD CONTROL INTEGRATED SYSTEM (1-1/4" - 2")	37
950XLT2/950XLT SERIES – TOP ACCESS DOUBLE CHECK VALVE ASSEMBLY	10	ZCSM-PF AND ZCSM-BTM – CONNECTED PRESSURE MONITOR (ZCSM-PF) WITH OPTIONAL CONNECTED FLOW METER (ZCSM-BTM)	38
950XL SERIES – DOUBLE CHECK VALVE ASSEMBLY	11	975XLHBM SERIES – HYDRANT BACKFLOW AND METER VALVE	39
350AST SERIES – DOUBLE CHECK VALVE ASSEMBLY WITH STAINLESS STEEL BODY	11	RPHBM SERIES – HIGH CAPACITY HYDRANT BACKFLOW AND METER COMBINATION	39
950XL3 SERIES – DOUBLE CHECK VALVE ASSEMBLY	12	375ASTDA SERIES – REDUCED PRESSURE PRINCIPLE DETECTOR ASSEMBLY WITH STAINLESS STEEL BODY	40
350A/350 SERIES – DOUBLE CHECK VALVE ASSEMBLY	14	375ADA/375DA SERIES – REDUCED PRESSURE PRINCIPLE DETECTOR ASSEMBLY	42
450ST SERIES – DOUBLE CHECK VALVE ASSEMBLY WITH STAINLESS STEEL BODY	16	475STDA/475STDAV SERIES – REDUCED PRESSURE PRINCIPLE DETECTOR ASSEMBLY WITH STAINLESS STEEL BODY	44
450 SERIES – DOUBLE CHECK VALVE ASSEMBLY	17	475DA/475DAV SERIES – REDUCED PRESSURE PRINCIPLE DETECTOR ASSEMBLY	45
950XLTA SERIES – DOUBLE CHECK DETECTOR ASSEMBLY	18	310/310DA SERIES – SINGLE CHECK VALVE ASSEMBLY	46
350ASTDA SERIES – DOUBLE CHECK DETECTOR ASSEMBLY WITH STAINLESS STEEL BODY	19	420XL SERIES – PRESSURE VACUUM BREAKER	47
350ADA/350DA SERIES – DOUBLE CHECK DETECTOR ASSEMBLY	20	460XL SERIES – SPILL RESISTANT PRESSURE VACUUM BREAKER	47
450STDA SERIES – DOUBLE CHECK DETECTOR ASSEMBLY WITH STAINLESS STEEL BODY	22	710 SERIES – PRESSURE VACUUM BREAKER	48
450DA SERIES – DOUBLE CHECK DETECTOR ASSEMBLY	23	720A SERIES – PRESSURE VACUUM BREAKER	49
375XL/375 SERIES – REDUCED PRESSURE PRINCIPLE ASSEMBLY	24	700XL SERIES – DUAL CHECK VALVE	50
375XLB SERIES – THEFT PREVENTION REDUCED PRESSURE PRINCIPLE ASSEMBLY	25	705 SERIES – DUAL CHECK VALVE	51
375ST SERIES – STAINLESS STEEL REDUCED PRESSURE PRINCIPLE ASSEMBLY	25	730/735 SERIES – LABORATORY FAUCET VACUUM BREAKER	51
975XL2/975XL SERIES – REDUCED PRESSURE PRINCIPLE ASSEMBLY	26	740 SERIES – BACKFLOW PREVENTER FOR VENDING MACHINE WATER SUPPLY	52
975XL3 SERIES – REDUCED PRESSURE PRINCIPLE ASSEMBLY	28	760 SERIES – DUAL CHECK WITH ATMOSPHERIC VENT	52
375AST SERIES – REDUCED PRESSURE PRINCIPLE ASSEMBLY WITH STAINLESS STEEL BODY	29	40XL2 SERIES – IN-LINE SINGLE CHECK VALVE	53
375A/375 SERIES – REDUCED PRESSURE PRINCIPLE ASSEMBLY	30	35XL SERIES – ATMOSPHERIC VACUUM BREAKER	53
475ST/475STV SERIES – REDUCED PRESSURE PRINCIPLE ASSEMBLY WITH STAINLESS STEEL BODY	32	BFP-9 & BFP-8F SERIES – HOSE CONNECTION VACUUM BREAKER	54
475/475V SERIES – REDUCED PRESSURE PRINCIPLE ASSEMBLY	34		

300 SERIES PRODUCT DECODER

212 - 375 AST DA R MS B G FSC -AG

Code	Description
PLUMBING PIPE SIZE	
212	2-1/2"
3	3"
4	4"
6	6"
8	8"
10	10"
BASE PART NUMBER	
350	Double Check Assembly
375	Reduced Pressure Principle Assembly
BACKFLOW BODY STYLE	
A	Grooved Body, Ductile Iron Body
AST	Grooved Body, Stainless Steel Body
DETECTOR ASSEMBLY	
	Standard Assembly
DA	Detector Assembly
REPLACEMENT SERIES	
	Standard Assembly
R	Custom Length Assembly Replacement
MONITOR SWITCH	
	Standard Assembly
MS	with Integral Relief Valve Monitor Switch
SHUT-OFF VALVES	
	NRS Gate Valves
OSY	OS&Y Gate Valves
PI	Post Indicator Valves
B	Butterfly Valves
END CONNECTIONS	
F	Flange x Flange User Connections
FG	Flange x Groove User Connections
G	Groove x Groove User Connections
GF	Groove x Flange User Connections
BACKFLOW ACCESSORIES	
FSC	with Epoxy Coated Wye Type Strainer (Flanged Only)
-AG	Air Gap

350XL/350 SERIES – DOUBLE CHECK VALVE ASSEMBLY



APPLICATIONS

The 350XL and 350 provide low health hazard backflow protection while embodying state-of-the-art materials in a easily maintained design. Used in all market segments.

FEATURES

- 3/4" - 2"
- 175 psi max
- 180°F max
- Short lay length – fits in smaller valve box
- Top access to test cocks and shutoff valves and check assembly – easy to test
- Entire pressure vessel is removable to facilitate check access for cleaning or repair
- Stainless steel ball valve handles and nuts standard

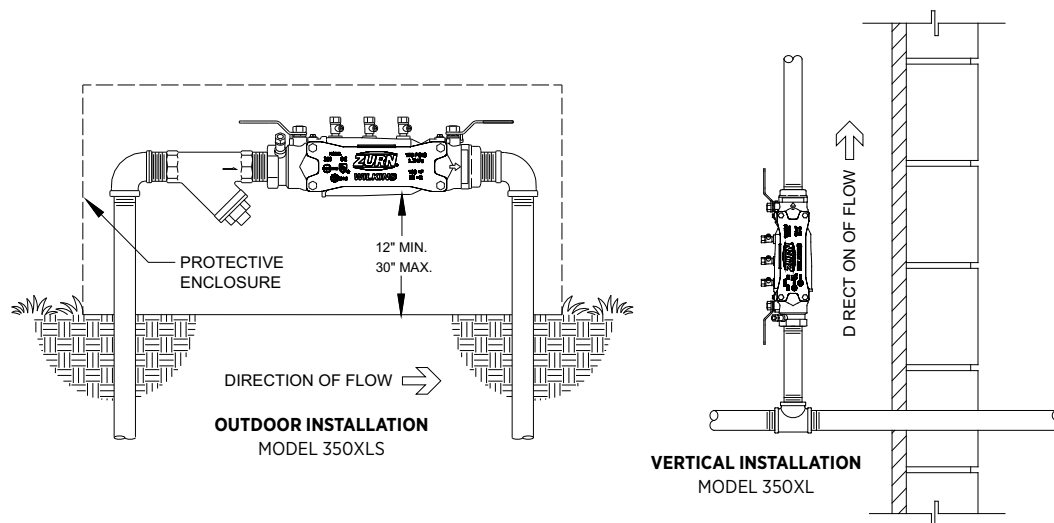
APPROVALS AND APPLICABLE STANDARDS

- Approved by the Foundation for Cross-Connection Control and Hydraulic Research at the University of Southern California
- ASSE® Listed 1015 (horizontal/vertical), cUPC® Listed, CSA® Certified, UL® Classified, C-UL®, and AWWA Compliant
- 350XL is certified to NSF/ANSI 61 and 372

ACCESSORIES

- Bronze wye strainer (Model SXL)
- Thermal expansion tank (Model XT)
- Quick test set (QT-SET)
- Winterizing blow out flush fitting (RK34-350FLUSH, RK1-350FLUSH, or RK114-350-375FLUSH)
- Repair kits

TYPICAL INSTALLATION



SIZE	LEAD-FREE PART NUMBER	LEAD-FREE EXEMPT PART NUMBER
350XL/350: FNPT X FNPT		
3/4"	34-350XL	34-350
1"	1-350XL	1-350
1-1/4"	114-350XL	114-350
1-1/2"	112-350XL	112-350
2"	2-350XL	2-350
350LXL/350L: MNPT X MNPT, LESS SHUT-OFF VALVES		
3/4"	34-350LXL	34-350L
1"	1-350LXL	1-350L
VALVE FOR BY-PASS ASSEMBLY FOR 950XLTA SERIES		
3/4"	34-350D	-
OPTIONS AND LIST PRICE ADDERS (ADD OPTION TO LIST PRICE TO DETERMINE TOTAL LIST PRICE)		
FAST-TEST TEST COCKS (FT) OPTION (E.G. 2-350XLFT), 3/4" AND 1" USC APPROVED		
3/4" - 2"	FT Suffix	-
LEAD-FREE BRONZE WYE STRAINER (S) OPTION WITH NIPPLE (E.G. 2-350XLS)		
3/4" - 2"	S Suffix	-
STREET ELBOWS (SE) OPTION, FNPT X FNPT (E.G. 34-350XLSE)		
3/4" - 1"	SE Suffix	-

950XLT2/950XLT SERIES – TOP ACCESS DOUBLE CHECK VALVE ASSEMBLY



APPLICATIONS

Top Access check valves and test cocks make this valve most suitable for low health hazard meter box applications that require easy access during testing and repair.

FEATURES

- 3/4" - 2"
- 175 psi max
- 180°F max
- Complete with two full port resilient seated ball valves for shut-off and four resilient seated ball valve test cocks
- Both check valves and test cocks are designed at an inclined angle upward for easy access during repair, maintenance and testing
- Bronze body construction
- Stainless steel ball valve handles and nuts standard

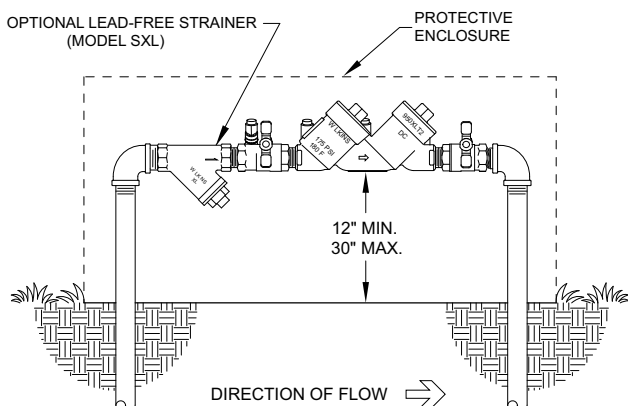
APPROVALS AND APPLICABLE STANDARDS

- Approved by the Foundation for Cross-Connection Control and Hydraulic Research at the University of Southern California
- ASSE® Listed 1015, cUPC® Listed, CSA® Certified, UL® Classified, C-UL® Classified
- Model 950XLT2 is certified to NSF/ANSI 61 and 372

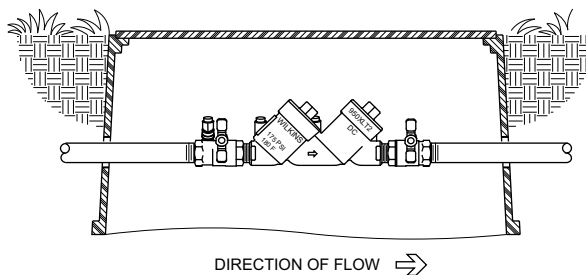
ACCESSORIES

- Thermal expansion tank (Model XT)
- Bronze wye strainer (Model SXL)
- Quick test set (QT-SET)
- Ball valve monitor switch (Model BVMS)
- Repair Kit

TYPICAL INSTALLATION



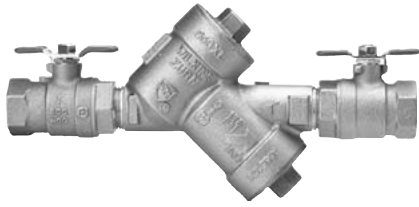
MODEL 950XLT2S



MODEL 950XLT2

SIZE	LEAD-FREE PART NUMBER	LEAD-FREE EXEMPT PART NUMBER
950XLT2/950XLT: FNPT X FNPT END CONNECTIONS		
3/4"	34-950XLT2	34-950XLT
1"	1-950XLT2	1-950XLT
1-1/4"	114-950XLT2	114-950XLT
1-1/2"	112-950XLT2	112-950XLT
2"	2-950XLT2	2-950XLT
950XLT2U: FNPT UNION X FNPT UNION		
3/4"	34-950XLT2U	34-950XLTU
1"	1-950XLT2U	1-950XLTU
1-1/4"	114-950XLT2U	-
1-1/2"	112-950XLT2U	-
2"	2-950XLT2U	-
950XLT2/950XLT: MNPT X MNPT, LESS SHUT-OFF VALVES		
3/4"	34-950XLT2	34-950XLT
1"	1-950XLT2	1-950XLT
1-1/4"	114-950XLT2	114-950XLT
1-1/2"	112-950XLT2	112-950XLT
2"	2-950XLT2	2-950XLT
950XLT2BFSS/950XLTBFSS: FNPT BF X FNPT BF, SUPERVISORY SWITCH (TAMPURED BUTTERFLY VALVES)		
1-1/4"	114-950XLT2BFSS	114-950XLTBFSS
1-1/2"	112-950XLT2BFSS	112-950XLTBFSS
2"	2-950XLT2BFSS	2-950XLTBFSS
OPTIONS AND LIST PRICE ADDERS (ADD OPTION TO LIST PRICE TO DETERMINE TOTAL LIST PRICE)		
FAST-TEST TEST COCKS (FT) OPTION (E.G. 34-950XLT2FT), 3/4" AND 1" USC APPROVED		
3/4" - 2"	FT Suffix	-
STRAINER (S) OPTION WITH NIPPLE (E.G. 2-950XLT2S)		
3/4" - 2"	S Suffix	-

950XL SERIES – DOUBLE CHECK VALVE ASSEMBLY



APPLICATIONS

The traditional wye pattern design Double Check that the irrigation and fire professional relies upon for superior backflow protection.

FEATURES

- 3/4", 1", 1-1/2", 2"
- 175 psi max
- 180°F max
- Bronze body construction
- Noryl® replaceable seats and silicone rubber check discs
- Stainless steel ball valve handles and nuts standard

APPROVALS AND APPLICABLE STANDARDS

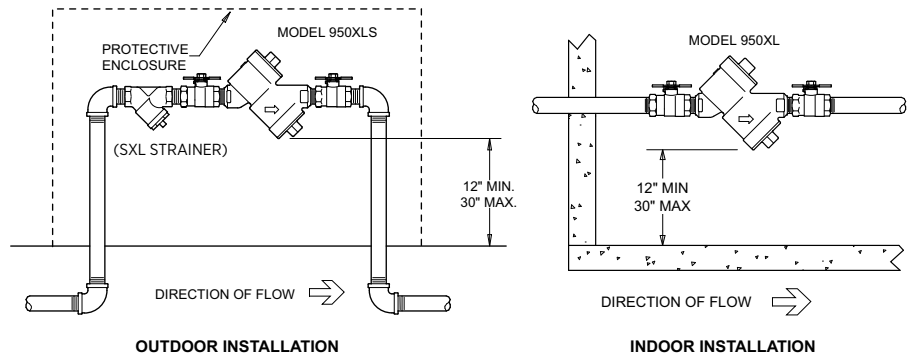
- Approved by the Foundation for Cross-Connection Control and Hydraulic Research at the University of Southern California
- ASSE® Listed 1015, cUPC® Listed, CSA® Certified, UL® Classified, C- UL® Classified, AWWA Compliant

ACCESSORIES

- Quick test set (QT-SET)
- Ball valve monitor switch (Model BVMS)
- SXL strainer
- Repair kits

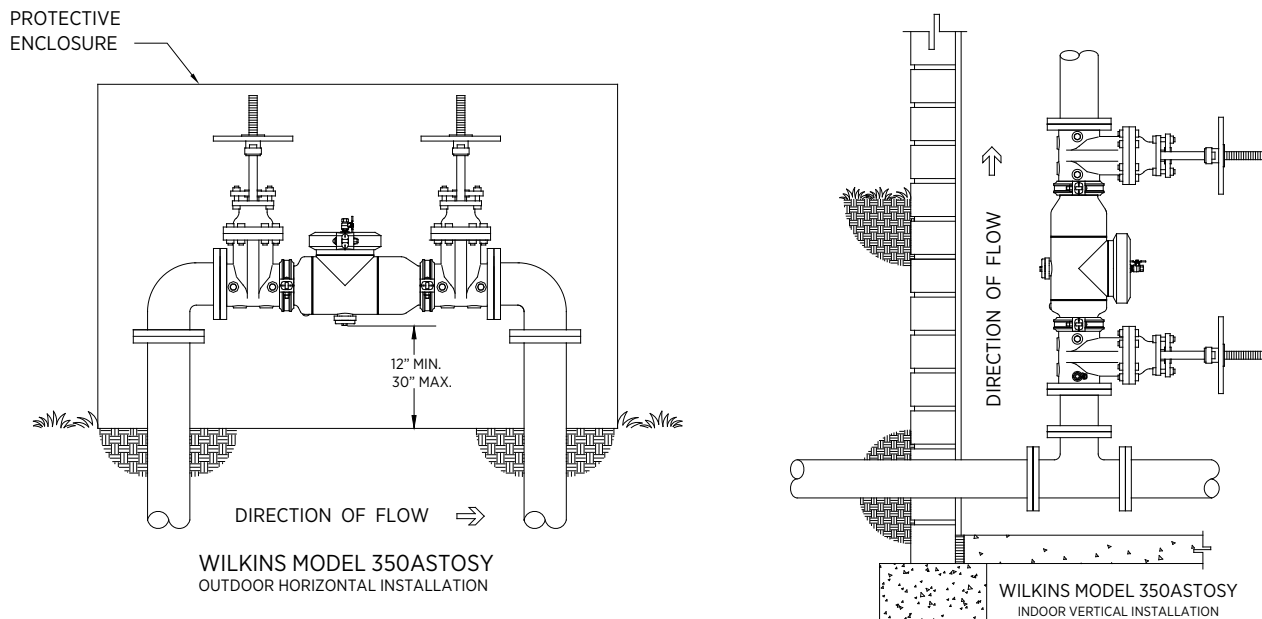
SIZE	LEAD-FREE PART NUMBER	LEAD-FREE EXEMPT PART NUMBER
950XL: FNPT X FNPT END CONNECTIONS		
3/4"	-	34-950XL
1"	-	1-950XL
1-1/2"	-	112-950XL
2"	-	2-950XL
950XLD: LEAD-FREE, FNPT X FNPT END CONNECTIONS FOR BY-PASS ASSEMBLY FOR 350DA/350ADA/450DA SERIES		
3/4"	34-950XLD	-

TYPICAL INSTALLATION



350AST SERIES – DOUBLE CHECK VALVE ASSEMBLY WITH STAINLESS STEEL BODY

TYPICAL INSTALLATION



For additional product information, please visit www.zurn.com.

950XL3 SERIES – DOUBLE CHECK VALVE ASSEMBLY

NEW



APPLICATIONS

Ideal for use where lead-free valves are required. Designed for installation on potable water lines to protect against both backsiphonage and backpressure of polluted water into the potable water supply. Assembly shall provide protection where a potential non-health hazard exists.

FEATURES

- 3/4" - 2"
- 175 psi max
- 180°F max
- Compact and shortest bronze small backflow valve on the market allowing for installation versatility
- All-bronze body ensures durability against the elements, with a Noryl[®] check body and stainless-steel fasteners to resist corrosion over time
- EZSwap[®] modular check with top access speeds up repairs and replacements
- Test ports located on valve's centerline make install and testing easy
- Checks have a twist lock connection for easy access and disassembly

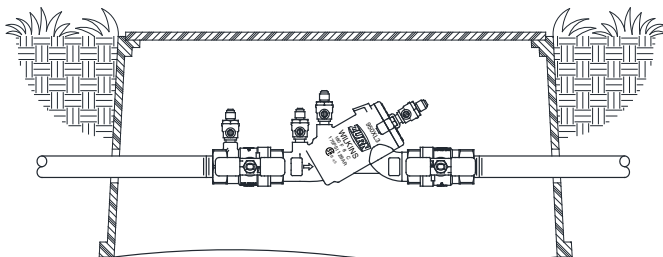
APPROVALS AND APPLICABLE STANDARDS

- ASSE[®] Listed 1015
- cUPC[®] Listed
- AWWA Compliant C510
- Meets the requirements of NSF/ANSI/CAN 61 and 372
- Approved by the Foundation for Cross-Connection Control and Hydraulic Research at the University of Southern California
- CSA[®] Certified B64.4

ACCESSORIES

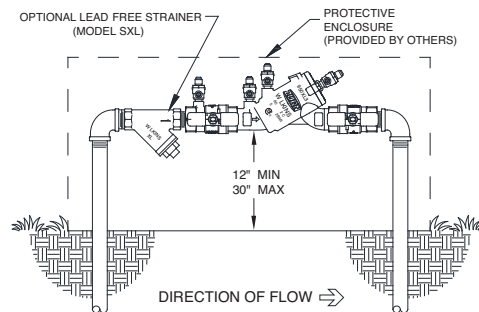
- Repair kits (see repair kit guide for full list)
- Thermal expansion tank (Model XT)
- QT-SET Quick Test Fitting Set (1-1/4" - 2")
- Flush fitting/blow out kit (3/4" RK34-900XL3WF, 1" RK1-900XL3WF, 1-1/4" & 1-1/2" RK114-112-900XL3WF, 2" RK2-900XL3WF)

TYPICAL INSTALLATION



DIRECTION OF FLOW →

TYPICAL INSTALLATION



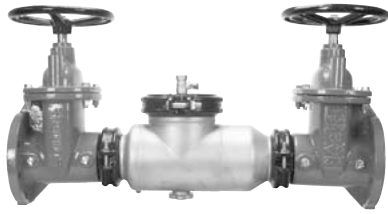
OUTDOOR INSTALLATION

SIZE	LEAD-FREE PART NUMBER
950XL3: FNPT X FNPT END CONNECTIONS	
3/4"	34-950XL3
1"	1-950XL3
1-1/4"	114-950XL3
1-1/2"	112-950XL3
2"	2-950XL3
950XL3U: FNPT X FNPT END CONNECTIONS WITH UNION BALL VALVES	
3/4"	34-950XL3U
1"	1-950XL3U
1-1/4"	114-950XL3U
1-1/2"	112-950XL3U
2"	2-950XL3U
OPTIONS AND LIST PRICE ADDERS (ADD OPTION TO LIST PRICE TO DETERMINE TOTAL LIST PRICE)	
FAST-TEST TEST COCKS (FT) OPTION, CONTACT FACTORY FOR APPROVALS	
1-1/4" - 2"	FT Suffix
STRAINER (S) OPTION WITH NIPPLE (E.G. 2-950XL3S)	
3/4"	S Suffix
1"	S Suffix
1-1/4"	S Suffix
1-1/2"	S Suffix
2"	S Suffix
950XL3BFSS: FNPT BF X FNPT BF, SUPERVISORY SWITCH (TAMPED BUTTERFLY VALVES)	
1-1/4"	114-950XL3BFSS
1-1/2"	112-950XL3BFSS
2"	2-950XL3BFSS

*Noryl[®] is a registered trademark of SABIC Global Technologies B.V.

For additional product information, please visit www.zurn.com.

350AST SERIES – DOUBLE CHECK VALVE ASSEMBLY WITH STAINLESS STEEL BODY



APPLICATIONS

The 350AST combines the features you expect from a Wilkins Double Check, in a corrosion resistant, stainless steel body for any low health hazard application in all market segments.

FEATURES

- 2-1/2" - 10" [grooved body]
- 175 psi max
- 140°F max
- Grooved or flanged end connections
- Improved Compound Check design
- Short lay-length for small space installation
- Lower maintenance costs from corrosion resistance of stainless body

APPROVALS AND APPLICABLE STANDARDS

- Approved by the Foundation for Cross Connection Control and Hydraulic Research at the University of Southern California
- ASSE® Listed 1015, AWWA Compliant C510 (with gates only), and C550, UL® Classified, C-UL® Classified, FM® Approved, CSA® Certified, cUPC® Listed
- Certified to NSF/ANSI 61 and 372

ACCESSORIES

- Thermal expansion tank (Model XT)
- OS&Y Gate valve tamper switch (OSY-40)
- Model FSC wye strainer (non fire applications)
- Repair kits

TYPICAL INSTALLATION

See previous page

SIZE	LEAD-FREE PART NUMBER
350AST (GROOVED BODY): FLANGED NRS X FLANGED NRS	
2-1/2"	212-350AST
3"	3-350AST
4"	4-350AST
6"	6-350AST
8"	8-350AST
10"	10-350AST

For grooved options, part number will be designated using "GF", "FG" or "G" (e.g. 212-350ASTFG, 4-350ASTGF, 10-350ASTG).

SIZE	LEAD-FREE PART NUMBER
350ASTOSY (GROOVED BODY): FLANGED OSY X FLANGED OSY	
2-1/2"	212-350ASTOSY
3"	3-350ASTOSY
4"	4-350ASTOSY
6"	6-350ASTOSY
8"	8-350ASTOSY
10"	10-350ASTOSY

For grooved options, part number will be designated using "GF", "FG" or "G" (e.g. 212-350ASTOSYFG, 4-350ASTOSYGF, 10-350ASTOSYG).

SIZE	LEAD-FREE PART NUMBER
350ASTBG (GROOVED BODY): GROOVED BG X GROOVED BG (TAMPED BUTTERFLY VALVES)	
2-1/2"	212-350ASTBG
3"	3-350ASTBG
4"	4-350ASTBG
6"	6-350ASTBG
8"	8-350ASTBG
10"	10-350ASTBG

SIZE	LEAD-FREE PART NUMBER
350ASTBF (GROOVED BODY): FLANGED BF X FLANGED BF (TAMPED BUTTERFLY VALVES)	
2-1/2"	212-350ASTBF
3"	3-350ASTBF
4"	4-350ASTBF
6"	6-350ASTBF
8"	8-350ASTBF
10"	10-350ASTBF

SIZE	LEAD-FREE PART NUMBER
350ASTBFG (GROOVED BODY): FLANGED BF X GROOVED BG (TAMPED BUTTERFLY VALVES)	
2-1/2"	212-350ASTBFG
3"	3-350ASTBFG
4"	4-350ASTBFG
6"	6-350ASTBFG
8"	8-350ASTBFG
10"	10-350ASTBFG

SIZE	LEAD-FREE PART NUMBER
350ASTOSYPI (GROOVED BODY): OSY & PI GATE VALVES	
2-1/2"-10"	OSY & PI GATE VALVES

For grooved options, part number will be designated using "GF", "FG" or "G" (e.g. 212-350ASTPIOSYFG, 4-350ASTOSYPIGF, 10-350ASTOSYPIG).

OPTIONS AND LIST PRICE ADDERS (ADD OPTION TO LIST PRICE TO DETERMINE TOTAL LIST PRICE)

FSC STRAINER (FSC) OPTION WITH BOLT KIT, FLANGED X FLANGED CONNECTION

SIZE

2-1/2" - 10" FSC Suffix

Part number will be designated using "FSC" (e.g. 212-350ASTFSC, 4-350ASTOSYFSC, 10-350ASTOSYPIFSC).

300AR SERIES - REPLACEMENT BACKFLOW ASSEMBLY (2-1/2" - 10")

Custom length Double Check Valve Assembly for drop in replacements. Stainless steel grooved x grooved spool installed between the backflow valve and the outlet shut-off valve. Can be used with 350 Series and 375 Series grooved body models. For replacement of longer lay-length backflow preventers.

350ASTR list price adder to be added to list price of the 350AST to determine total list price.

See order form and product specification sheet on the website for details and options.

INLET X OUTLET CONNECTIONS / OPTIONS

SIZE	INLET X OUTLET CONNECTIONS / OPTIONS
2-1/2"	Length Range: Up to 47-1/8"
3"	Length Range: Up to 48-1/8"
4"	Length Range: Up to 62-1/4"
6"	Length Range: Up to 71-1/4"
8"	Length Range: Up to 86"
10"	Length Range: Up to 100-5/8"

Part number will be designated using "350ASTR-A".

350A/350 SERIES – DOUBLE CHECK VALVE ASSEMBLY



APPLICATIONS

Traditional ductile iron bodies and grooved or flanged shut-off valve attachment define the Wilkins 350 series Double Check Valve Assemblies. Used in low health hazard applications and all market segments.

FEATURES

- 350A: 2-1/2" - 10" [grooved body]
- 350: 2-1/2" - 12" [flanged body]
- 175 psi max
- 140°F max
- Epoxy coated ductile iron body
- No threads or taps in body or cover, eliminating exposure to corrosion

APPROVALS AND APPLICABLE STANDARDS

- Approved by the Foundation for Cross-Connection Control and Hydraulic Research at the University of Southern California (horizontal/vertical) (2-1/2" - 10", 12" Horizontal)
- ASSE® Listed 1015 (horizontal/vertical), AWWA Listed (horizontal/vertical), cUPC® Listed (horizontal/vertical)
- CSA® Certified (horizontal/vertical), C-UL® Classified (horizontal/vertical), UL® Classified (horizontal/vertical), FM® Approved (horizontal/vertical) (2-1/2" - 10")
- 12" UL Classified (horizontal)
- Certified to NSF/ANSI 61 and 372

ACCESSORIES

- Repair kits
- Thermal expansion tank (Model XT)
- OS&Y Gate valve tamper switch (OSY-40)
- Model FSC wye strainer (non fire applications)

SIZE	LEAD-FREE PART NUMBER
350A (GROOVED BODY): FLANGED NRS X FLANGED NRS	
2-1/2"	212-350A
3"	3-350A
4"	4-350A
6"	6-350A
8"	8-350A
10"	10-350A

For grooved options, part number will be designated using "GF", "FG" or "G" (e.g. 212-350AFG, 4-350AGF, 10-350AG).

SIZE	LEAD-FREE PART NUMBER
350AOSY (GROOVED BODY): FLANGED OSY X FLANGED OSY	
2-1/2"	212-350AOSY
3"	3-350AOSY
4"	4-350AOSY
6"	6-350AOSY
8"	8-350AOSY
10"	10-350AOSY

SIZE	LEAD-FREE PART NUMBER
350ABG (GROOVED BODY): GROOVED BG X GROOVED BG (TAMPURED BUTTERFLY VALVES)	
2-1/2"	212-350ABG
3"	3-350ABG
4"	4-350ABG
6"	6-350ABG
8"	8-350ABG
10"	10-350ABG

For grooved options, part number will be designated using "GF", "FG" or "G" (e.g. 212-350AOSYFG, 4-350AOSYGF, 10-350AOSYGG).

SIZE	LEAD-FREE PART NUMBER
350ABF (GROOVED BODY): FLANGED BF X FLANGED BF (TAMPURED BUTTERFLY VALVES)	
2-1/2"	212-350ABF
3"	3-350ABF
4"	4-350ABF
6"	6-350ABF
8"	8-350ABF
10"	10-350ABF

SIZE	LEAD-FREE PART NUMBER
350ABFG (GROOVED BODY): FLANGED BF X GROOVED BG (TAMPURED BUTTERFLY VALVES)	
2-1/2"	212-350ABFG
3"	3-350ABFG
4"	4-350ABFG
6"	6-350ABFG
8"	8-350ABFG
10"	10-350ABFG

SIZE	LEAD-FREE PART NUMBER
350AL (GROOVED BODY): LESS GATE VALVES	
2-1/2"	212-350AL
3"	3-350AL
4"	4-350AL
6"	6-350AL
8"	8-350AL
10"	10-350AL

SIZE	LEAD-FREE PART NUMBER
350 (FLANGED BODY): FLANGED NRS X FLANGED NRS	
2-1/2"	212-350
3"	3-350
4"	4-350
6"	6-350
8"	8-350
10"	10-350
12"	12IN-350

SIZE	LEAD-FREE PART NUMBER
350OSY (FLANGED BODY): FLANGED OSY X FLANGED OSY	
2-1/2"	212-350OSY
3"	3-350OSY
4"	4-350OSY
6"	6-350OSY
8"	8-350OSY
10"	10-350OSY
12"	12IN-350OSY

SIZE	LEAD-FREE PART NUMBER
350OSYPI (FLANGED BODY): FLANGED OSY X FLANGED PI 2-1/2" - 12" OSY & PI GATE VALVES	
For grooved options, part number will be designated using "GF", "FG" or "G" (e.g. 212-350OSYPIFG, 4-350OSYPIGF, 10-350OSYPIGG).	

SIZE	LEAD-FREE PART NUMBER
350OSYPI (FLANGED BODY): FLANGED OSY X FLANGED PI 2-1/2" - 12" OSY & PI GATE VALVES	
For grooved options, part number will be designated using "GF", "FG" or "G" (e.g. 212-350OSYPIFG, 4-350OSYPIGF, 10-350OSYPIGG).	

Part number will be designated using "L" (e.g. 4-350AL, 6-350AL, 10-350AL).

350A/350 SERIES – DOUBLE CHECK VALVE ASSEMBLY (CONTINUED)

OPTIONS AND LIST PRICE ADDERS
(ADD OPTION TO LIST PRICE TO DETERMINE TOTAL LIST PRICE)

SIZE

FSC STRAINER (FSC) OPTION WITH BOLT KIT, FLANGED X FLANGED CONNECTION

2-1/2" - 12" FSC Suffix

Part number will be designated using "FSC" (e.g. 212-350FSC, 4-350SYFSC, 10-350SYPIFSC). Lead Law Compliant.

300AR SERIES - REPLACEMENT BACKFLOW ASSEMBLY (2-1/2" - 10")

Custom length Double Check Valve Assembly for drop in replacements. Stainless steel grooved x grooved spool installed between the backflow valve and the outlet shut-off valve. Can be used with 350 Series and 375 Series grooved body models. For replacement of longer lay-length backflow preventers.

350AR list price adder to be added to list price of the 350A to determine total list price.

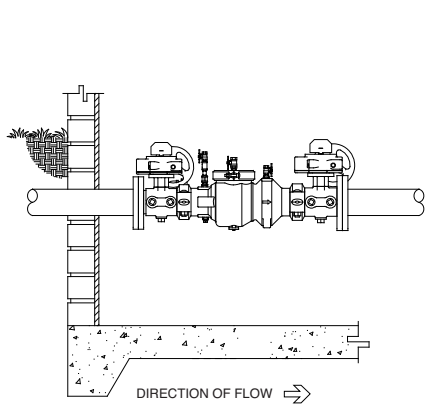
See order form and product specification sheet on the website for details and options.

SIZE **INLET X OUTLET CONNECTIONS / OPTIONS**

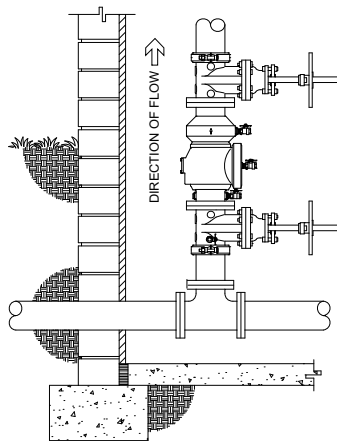
2-1/2"	Length Range: Up to 47-1/8"
3"	Length Range: Up to 48-1/8"
4"	Length Range: Up to 62-1/4"
6"	Length Range: Up to 71-1/4"
8"	Length Range: Up to 86"
10"	Length Range: Up to 100-5/8"

Part number will be designated using "350ASTR-A".

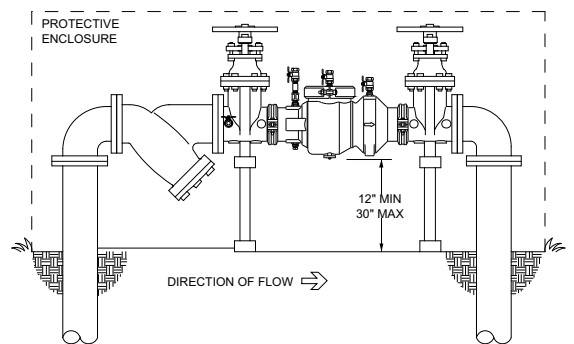
TYPICAL INSTALLATION



INDOOR INSTALLATION
MODEL 350ABF



INDOOR INSTALLATION (VERT.)
MODEL 350OSYG



OUTDOOR INSTALLATION
MODEL 350AFSC

450ST SERIES – DOUBLE CHECK VALVE ASSEMBLY WITH STAINLESS STEEL BODY



SIZE	LEAD-FREE PART NUMBER
450ST: FLANGED NRS X FLANGED NRS	

4"	4-450ST
6"	6-450ST
8"	8-450ST
10"	10-450ST

For grooved options, part number will be designated using "GF", "FG", or "G" (e.g. 4-450STFG, 4-450STGF, 4-450STG)

450STOSY: FLANGED OSY X FLANGED OSY	
--	--

4"	4-450STOSY
6"	6-450STOSY
8"	8-450STOSY
10"	10-450STOSY

For grooved options, part number will be designated using "GF", "FG", or "G" (e.g. 4-450STOSYFG, 4-450STOSYGF, 4-450STOSYG)

450STBG: GROOVED BG X GROOVED BG (TAMPED BUTTERFLY VALVES)	
---	--

4"	4-450STBG
6"	6-450STBG
8"	8-450STBG
10"	10-450STBG

450STBF: FLANGED BF X FLANGED BF (TAMPED BUTTERFLY VALVES)	
---	--

4"	4-450STBF
6"	6-450STBF
8"	8-450STBF
10"	10-450STBF

SIZE	LEAD-FREE PART NUMBER
450STPI: FLANGED PI X FLANGED PI	

4"	4-450STPI
6"	6-450STPI
8"	8-450STPI
10"	10-450STPI

450STR: FLANGED NRS X FLANGED NRS REPLACEMENT BACKFLOW	
---	--

4"	4-450STR
6"	6-450STR
8"	8-450STR
10"	10-450STR

APPLICATIONS

Designed for drop in replacement of competitor valves and new installation on potable water lines to protect against both backsiphonage and backpressure of polluted water into the potable water supply. The Model 450ST shall provide protection in a low hazard health application. Ideal for use where lead-free valves are required.

FEATURES

- 4" - 10"
- 175 psi max
- 140°F max
- n-Pattern space saving design
- Stainless steel body
- Direct drop in replacement of competitor valves

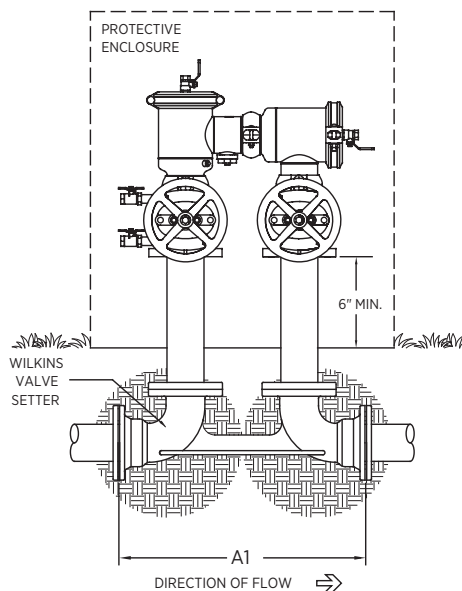
APPROVALS AND APPLICABLE STANDARDS

- Approved by the Foundation for Cross-Connection Control and Hydraulic Research at the University of Southern California
- ASSE® Listed 1013, UL® Classified, FM® Approved, C-UL® Classified, CSA® Certified, AWWA Compliant C511 (with gates only), and C550
- Certified to NSF/ANSI 61

ACCESSORIES

- Air gap (Model AG)
- Valve setter (Model FLSST or MJSST or MJFSST)
- OS&Y gate valve supervisory switch (OSY-40)
- Repair kits
- 4" to 3" adaptor (RFK4X3-400ST)

TYPICAL INSTALLATION



OUTDOOR INSTALLATION

450 SERIES – DOUBLE CHECK VALVE ASSEMBLY



APPLICATIONS

A large diameter double check in the "n" pattern, for new or retrofit installations in tight locations.

FEATURES

- 2-1/2" - 10"
- 175 psi max
- 140°F max
- n-Pattern space saving design
- Epoxy coated ductile iron body
- Utilizes modular, center-stem guided Compound Check

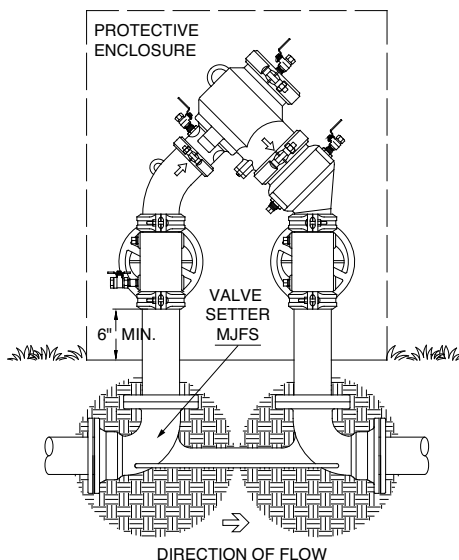
APPROVALS AND APPLICABLE STANDARDS

- Approved by the Foundation for Cross-Connection Control and Hydraulic Research at the University of Southern California
- ASSE® Listed 1015, cUPC® Listed, AWWA Compliant, UL® Classified, C-UL® Classified, FM® Approved
- CSA® Certified
- Certified to NSF/ANSI 61 and 372

ACCESSORIES

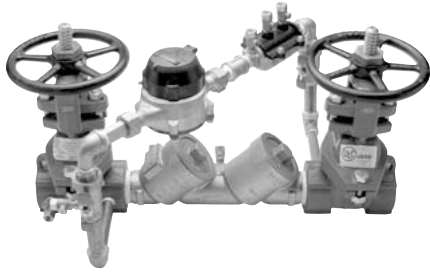
- Thermal expansion tank (Model XT)
- Valve setter (Model FLS or MJS or MJFS)
- OS&Y gate valve supervisory switch (OSY-40)
- Quick test set (QT-SET)
- Repair kits

TYPICAL INSTALLATION



SIZE	LEAD-FREE PART NUMBER
450: FLANGED NRS X FLANGED NRS	
2-1/2"	212-450
3"	3-450
4"	4-450
6"	6-450
8"	8-450
10"	10-450
<i>For grooved options, part number will be designated using "GF", "FG" or "G" (e.g. 212-450FG, 4-450GF, 10-450G).</i>	
450OSY: FLANGED OSY X FLANGED OSY	
2-1/2"	212-450OSY
3"	3-450OSY
4"	4-450OSY
6"	6-450OSY
8"	8-450OSY
10"	10-450OSY
<i>For grooved options, part number will be designated using "GF", "FG" or "G" (e.g. 212-450OSYFG, 4-450OSYGF, 10-450OSYG).</i>	
450BG: GROOVED BG X GROOVED BG (TAMPED BUTTERFLY VALVES)	
4"	4-450BG
6"	6-450BG
8"	8-450BG
10"	10-450BG
450BF: FLANGED BF X FLANGED BF (TAMPED BUTTERFLY VALVES)	
4"	4-450BF
6"	6-450BF
8"	8-450BF
10"	10-450BF

950XLTD SERIES – DOUBLE CHECK DETECTOR ASSEMBLY



SIZE	OPTIONS	LEAD-FREE EXEMPT PART NUMBER
950XLTD: FNPT OSY X FNPT OSY		
2"	GPM Meter	2-950XLTD
2"	CFM Meter	2-950XLTDACFM
2"	Less Meter	2-950XLTDALM
950XLTDABFSS: FNPT BF X FNPT BF, SUPERVISORY SWITCH (TAMPED BUTTERFLY VALVES)		
2"	GPM Meter	2-950XLTDABFSS
2"	CFM Meter	2-950XLTDABFSSCFM
2"	Less Meter	2-950XLTDABFSSLM
950XLTDAF: OVAL METER FLANGE X OVAL METER FLANGE		
2"	GPM Meter	2-950XLTDAF
2"	CFM Meter	2-950XLTDAFCFM
2"	Less Meter	2-950XLTDAFML
950XLTD: MNPT X MNPT, LESS SHUT-OFF VALVES		
2"	GPM Meter	2-950XLTD

APPLICATIONS

Double Check Detector Assembly for residential and light commercial Fire Protection Systems.

FEATURES

- Available in 2" only
- 175 psi max
- 180°F max
- The by-pass assembly consists of a water meter (gallons standard) in series with a double check backflow preventer
- Bronze body construction

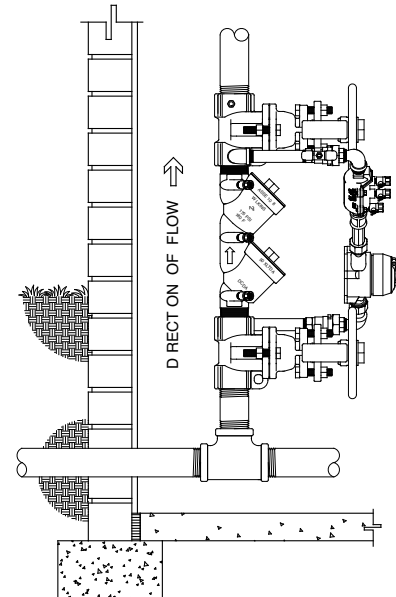
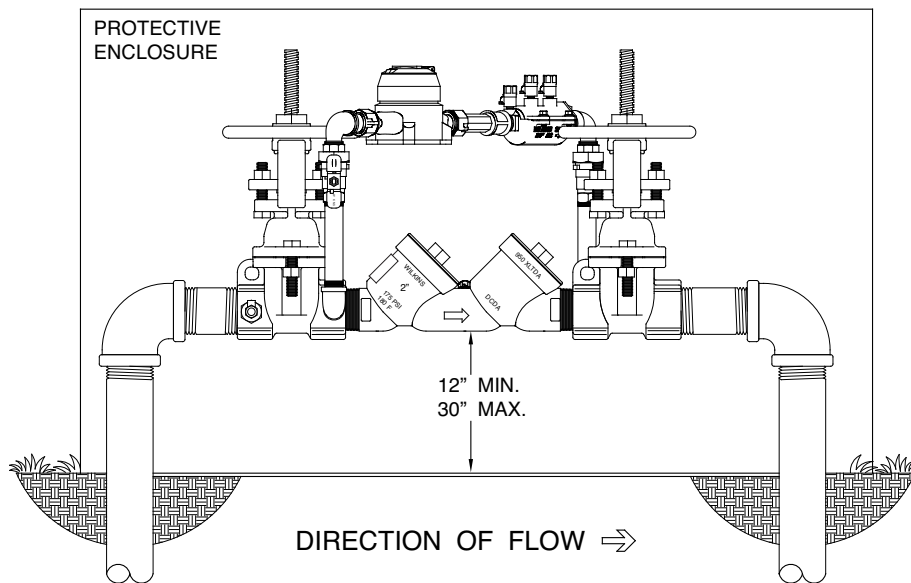
APPROVALS AND APPLICABLE STANDARDS

- Approved by the Foundation for Cross-Connection Control and Hydraulic Research at the University of Southern California
- ASSE® Listed 1048, UL® Classified, C-UL® Classified

ACCESSORIES

- OS&Y gate valve supervisory switch (OSY-40)
- Quick test set (QT-SET)
- Repair kits

TYPICAL INSTALLATION



350ASTDA SERIES – DOUBLE CHECK DETECTOR ASSEMBLY WITH STAINLESS STEEL BODY



APPLICATIONS

Fire protection double check detector constructed around a corrosion resistant, stainless steel body. Used in low health hazard applications.

FEATURES

- 2-1/2" - 10"
- 175 psi max
- 140°F max
- Grooved or flanged end connections
- Improved Compound Check design
- Lower maintenance costs from corrosion resistance of stainless body

APPROVALS AND APPLICABLE STANDARDS

- Approved by the Foundation for Cross Connection Control and Hydraulic Research at the University of Southern California
- ASSE® Listed 1048, AWWA Compliant C510 (with gates only) and C550, UL® Classified, C-UL® Classified, FM® Approved, CSA® Certified B64.5
- Certified to NSF/ANSI 61 and 372

ACCESSORIES

- Thermal expansion tank (Model XT)
- OS&Y Gate valve tamper switch (OSY-40)
- Available with CFM water meter (5/8" x 3/4")
- Repair kits

SIZE	LEAD-FREE PART NUMBER
350ASTDA: FLANGED OSY X FLANGED OSY	
2-1/2"	212-350ASTDA
3"	3-350ASTDA
4"	4-350ASTDA
6"	6-350ASTDA
8"	8-350ASTDA
10"	10-350ASTDA

For grooved options, part number will be designated using "GF", "FG" or "G" (e.g. 212-350ADAFG, 4-350ADAGF, 10-350ADAG).

SIZE	LEAD-FREE PART NUMBER
350ASTDAPI: FLANGED PI X FLANGED PI	
2-1/2"	212-350ASTDAPI
3"	3-350ASTDAPI
4"	4-350ASTDAPI
6"	6-350ASTDAPI
8"	8-350ASTDAPI
10"	10-350ASTDAPI

For grooved options, part number will be designated using "GF", "FG" or "G" (e.g. 212-350ASTDAPIFG, 4-350ASTDAPIGF, 10-350ASTDAPIG).

SIZE	LEAD-FREE PART NUMBER
350ASTDABG: GROOVED BG X GROOVED BG (TAMPURED BUTTERFLY VALVES)	
2-1/2"	212-350ASTDABG
3"	3-350ASTDABG
4"	4-350ASTDABG
6"	6-350ASTDABG
8"	8-350ASTDABG
10"	10-350ASTDABG

SIZE	LEAD-FREE PART NUMBER
350ASTDABF: FLANGED BF X FLANGED BF (TAMPURED BUTTERFLY VALVES)	
2-1/2"	212-350ASTDABF
3"	3-350ASTDABF
4"	4-350ASTDABF
6"	6-350ASTDABF
8"	8-350ASTDABF
10"	10-350ASTDABF

SIZE	LEAD-FREE PART NUMBER
350ASTDA OSY & PI SHUT-OFF VALVE COMBINATIONS	
2-1/2"-10"	OSY & PI GATE VALVES

For grooved options, part number will be designated using "GF", "FG" or "G" (e.g. 212-350ASTDAPIOSYFG, 4-350ASTDAOSYPIGF, 10-350ASTDAOSYPIG).

OPTIONS AND LIST PRICE ADDERS (ADD OPTION TO LIST PRICE TO DETERMINE TOTAL LIST PRICE)

SIZE	OPTION
2-1/2" - 10"	CFM Suffix

Part number will be designated using "CFM" (e.g. 212-350ASTDACFM, 4-350ASTDACFMBG, 10-350ASTDACFMOSYPIG).

300AR SERIES - REPLACEMENT BACKFLOW ASSEMBLY (2-1/2" - 10")

Custom length Double Check Valve Assembly for drop in replacements. Stainless steel grooved x grooved spool installed between the backflow valve and the outlet shut-off valve. Can be used with 350 Series and 375 Series grooved body models. For replacement of longer lay-length backflow preventers.

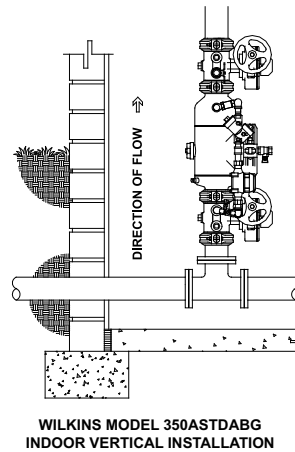
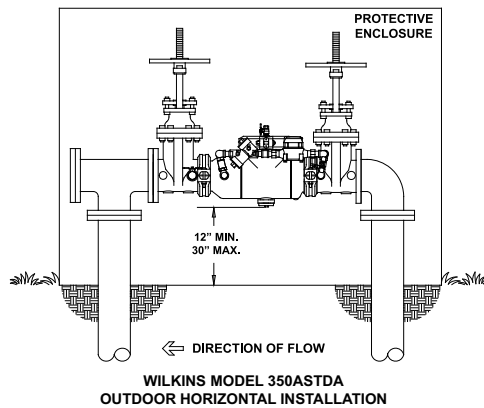
350ASTDAR list price adder to be added to list price of the 350ASTDA to determine total list price.

See order form and product specification sheet on the website for details and options.

SIZE	INLET X OUTLET CONNECTIONS / OPTIONS
2-1/2"	Length Range: Up to 47-1/8"
3"	Length Range: Up to 48-1/8"
4"	Length Range: Up to 62-1/4"
6"	Length Range: Up to 71-1/4"
8"	Length Range: Up to 86"
10"	Length Range: Up to 100-5/8"

Part number will be designated using "350ASTDAR-A".

TYPICAL INSTALLATION



350ADA/350DA SERIES – DOUBLE CHECK DETECTOR ASSEMBLY



APPLICATIONS

Ideal for fire protection applications. Epoxy coated, ductile iron Wilkins 350 series Double Check Valve Assembly with integral by-pass consisting of a water meter in series with a double check backflow preventer.

FEATURES

- 350ADA: 2-1/2" - 10"
- 350DA: 2-1/2" - 12" [flanged body]
- 175 psi max
- 140°F max
- Resilient wedge OS&Y gate valves standard
- Epoxy-coated ductile iron body
- Modular check design

APPROVALS AND APPLICABLE SPECIFICATIONS

- Approved by the Foundation for Cross-Connection Control and Hydraulic Research at the University of Southern California (2-1/2" - 10" 350ADA/350DA, 12" 350DA)
- ASSE® Listed 1048, UL® Classified, C-UL® Classified, FM® Approved, CSA® Classified, AWWA Compliant
- 12" UL classified (horizontal only)
- Certified to NSF/ANSI 61 and 372

ACCESSORIES

- OS&Y gate valve supervisory switch (OSY-40)
- Available with CFM water meter (5/8" x 3/4")
- Repair kits

TYPICAL INSTALLATION

See next page

SIZE	LEAD-FREE PART NUMBER
350ADA (GROOVED BODY): FLANGED OSY X FLANGED OSY	
2-1/2"	212-350ADA
3"	3-350ADA
4"	4-350ADA
6"	6-350ADA
8"	8-350ADA
10"	10-350ADA

For grooved options, part number will be designated using "GF", "FG" or "G" (e.g. 212-350ADAFG, 4-350ADAGF, 10-350ADAG).

SIZE	LEAD-FREE PART NUMBER
350ADAPI (GROOVED BODY): FLANGED PI X FLANGED PI	
2-1/2"	212-350ADAPI
3"	3-350ADAPI
4"	4-350ADAPI
6"	6-350ADAPI
8"	8-350ADAPI
10"	10-350ADAPI

For grooved options, part number will be designated using "GF", "FG" or "G" (e.g. 212-350ADAPIFG, 4-350ADAPIGF, 10-350ADAPIG).

SIZE	LEAD-FREE PART NUMBER
350ADABG (GROOVED BODY): GROOVED BG X GROOVED BG (TAMPED BUTTERFLY VALVES)	
2-1/2"	212-350ADABG
3"	3-350ADABG
4"	4-350ADABG
6"	6-350ADABG
8"	8-350ADABG
10"	10-350ADABG

SIZE	LEAD-FREE PART NUMBER
350ADABF (GROOVED BODY): FLANGED BF X FLANGED BF (TAMPED BUTTERFLY VALVE)	
2-1/2"	212-350ADABF
3"	3-350ADABF
4"	4-350ADABF
6"	6-350ADABF
8"	8-350ADABF
10"	10-350ADABF

SIZE	LEAD-FREE PART NUMBER
350ADA OSY & PI SHUT-OFF VALVE COMBINATIONS	
2-1/2"-10"	OSY & PI GATE VALVES

For grooved options, part number will be designated using "GF", "FG" or "G" (e.g. 212-350ADAPIOSYFG, 4-350ADAOSYPIGF, 10-350ADAOSYPIG).

OPTIONS AND LIST PRICE ADDERS (ADD OPTION TO LIST PRICE TO DETERMINE TOTAL LIST PRICE)

300AR SERIES - REPLACEMENT BACKFLOW ASSEMBLY (2-1/2" - 10")

Custom length Double Check Valve Assembly for drop in replacements. Stainless steel grooved x grooved spool installed between the backflow valve and the outlet shut-off valve. Can be used with 350 Series and 375 Series grooved body models. For replacement of longer lay-length backflow preventers.

350ADAR list price adder to be added to list price of the 350ADA to determine total list price.

See order form and product specification sheet on the website for details and options.

SIZE	INLET X OUTLET CONNECTIONS / OPTIONS
2-1/2"	Length Range: Up to 47-1/8"
3"	Length Range: Up to 48-1/8"
4"	Length Range: Up to 62-1/4"
6"	Length Range: Up to 71-1/4"
8"	Length Range: Up to 86"
10"	Length Range: Up to 100-5/8"

Part number will be designated using "350ADAR-A".

350ADA/350DA SERIES – DOUBLE CHECK DETECTOR ASSEMBLY (CONTINUED)

LEAD-FREE PART NUMBER

SIZE	LEAD-FREE PART NUMBER
350DA (FLANGED BODY): FLANGED OSY X FLANGED OSY	
2-1/2"	212-350DA
3"	3-350DA
4"	4-350DA
6"	6-350DA
8"	8-350DA
10"	10-350DA
12"	12IN-350DA

For grooved options, part number will be designated using "GF", "FG" or "G" (e.g. 212-350DAFG, 4-350DAFG, 10-350DAG).

350DAPI (FLANGED BODY): FLANGED PI X FLANGED PI

2-1/2"	212-350DAPI
3"	3-350DAPI
4"	4-350DAPI
6"	6-350DAPI
8"	8-350DAPI
10"	10-350DAPI
12"	12IN-350DAPI

For grooved options, part number will be designated using "GF", "FG" or "G" (e.g. 212-350DAPIFG, 4-350DAPIFG, 10-350DAPIG).

350DA (FLANGED BODY): OSY & PI SHUT-OFF VALVE COMBINATIONS

2-1/2"-12"	OSY & PI GATE VALVES
------------	----------------------

For grooved options, part number will be designated using "GF", "FG" or "G" (e.g. 212-350DAPIOSYFG, 4-350DAOSYPIGF, 10-350DAOSYPIG).

OPTIONS AND LIST PRICE ADDERS (ADD OPTION TO LIST PRICE TO DETERMINE TOTAL LIST PRICE)

SIZE

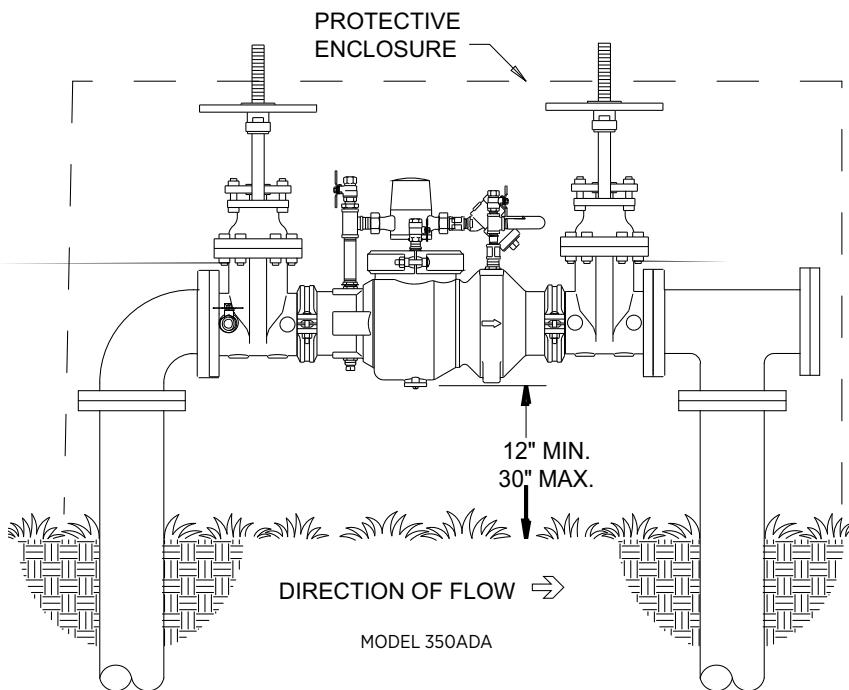
CUBIC FEET METER (CFM) OPTION

2-1/2" - 12" CFM Suffix
 Part number will be designated using "CFM" (e.g. 212-350DACFM, 4-350DACFMFG, 10-350DACFMOSYPIG).

LESS METER (LM) OPTION

2-1/2" - 12" LM Suffix
 Part number will be designated using "LM" (e.g. 212-350DALM, 4-350DALMFG, 10-350DALMOSYPIG).

TYPICAL INSTALLATION



BACKFLOW PREVENTERS
 BACKFLOW PREVENTERS ACCESSORIES
 STRAINERS
 AUTOMATIC CONTROL VALVES
 PRESSURE REDUCING VALVES
 FIRE PROTECTION VALVES
 THERMOSTATIC MIXING VALVES
 RELIEF VALVES
 MISCELLANEOUS PLUMBING PRODUCTS
 REPAIR KITS

450STDA SERIES – DOUBLE CHECK DETECTOR ASSEMBLY WITH STAINLESS STEEL BODY



SIZE	LEAD-FREE PART NUMBER
450STDA: FLANGED OSY X FLANGED OSY	
4"	4-450STDA
6"	6-450STDA
8"	8-450STDA
10"	10-450STDA
450STDAR: FLANGED OSY X FLANGED OSY REPLACEMENT BACKFLOW	
4"	4-450STDAR
6"	6-450STDAR
8"	8-450STDAR
10"	10-450STDAR

APPLICATIONS

Designed for drop in replacement of competitor valves and new installation on water lines in fire protection systems to protect against both backsiphonage and backpressure of polluted water into the potable water supply. Model 450STDA shall provide protection in a low hazard health application. Incorporates metered by-pass to detect leaks and unauthorized water use.

FEATURES

- 4" - 10"
- 175 psi max
- 140°F max
- n-Pattern space saving design
- Stainless steel body
- Direct drop in replacement of competitor valves
- The by-pass assembly consists of a water meter in series with a reduced pressure principle backflow preventer

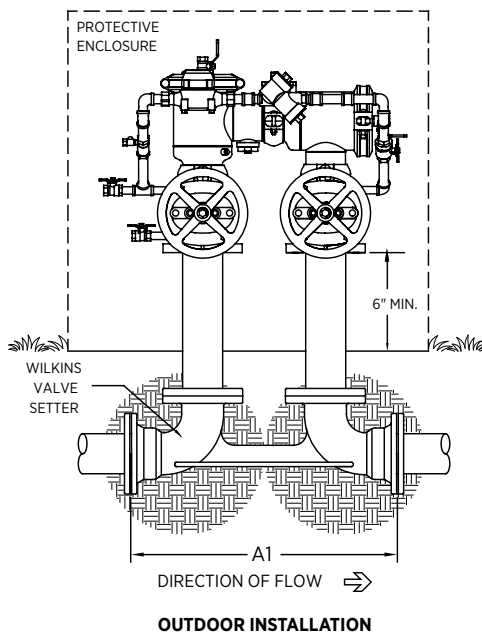
APPROVALS AND APPLICABLE STANDARDS

- Approved by the Foundation for Cross-Connection Control and Hydraulic Research at the University of Southern California
- ASSE® Listed 1013, UL® Classified, FM® Approved, UL® Classified, CSA® Certified, AWWA Compliant C511 (with gates only), and C550
- Certified to NSF/ANSI 61

ACCESSORIES

- Air gap (Model AG)
- Valve setter (Model FLSST or MJSST or MJFSST)
- OS&Y gate valve supervisory switch (OSY-40)
- Repair kits
- 4" to 3" adaptor (RFK4X3-400ST)

TYPICAL INSTALLATION



450DA SERIES – DOUBLE CHECK DETECTOR ASSEMBLY



APPLICATIONS

A large diameter Double Check Detector Assembly for low health hazard fire applications. Excellent for new or retrofit installations in tight locations.

FEATURES

- 4", 6", 8", 10"
- 175 psi max
- 140°F max
- n-Pattern space saving design
- OS&Y gate valves standard
- Epoxy coated ductile iron body
- Utilizes a patented center-stem guided Compound Check closure

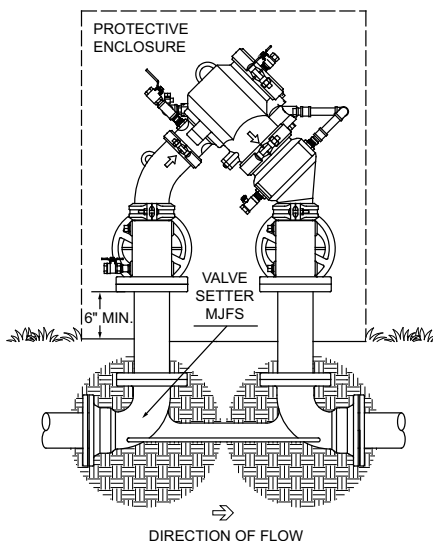
APPROVALS AND APPLICABLE SPECIFICATIONS

- Approved by the Foundation for Cross-Connection Control and Hydraulic Research at the University of Southern California
- ASSE® Listed 1048, UL® Classified, FM® Approved, C-UL® Classified, AWWA Compliant, CSA® Certified
- Certified to NSF/ANSI 61 and 372

ACCESSORIES

- Valve setter (Model FLS or MJS or MJFS)
- OS&Y gate valve supervisory switch (OSY-40)
- Quick test set (QT-SET)
- Available with CFM water meter (5/8" x 3/4")
- Repair kits

TYPICAL INSTALLATION



SIZE	LEAD-FREE PART NUMBER
------	-----------------------

450DA: FLANGED X FLANGED OS&Y GATE VALVES	
4"	4-450DA
6"	6-450DA
8"	8-450DA
10"	10-450DA

For grooved options, part number will be designated using "GF", "FG" or "G" (e.g. 4-450DAFG, 6-450DAGF, 10-450DAG).

450DABG: GROOVED BG X GROOVED BG (TAMPED BUTTERFLY VALVE)	
4"	4-450DABG
6"	6-450DABG
8"	8-450DABG
10"	10-450DABG

450DABF: FLANGED BF X FLANGED BF (TAMPED BUTTERFLY VALVE)	
4"	4-450DABF
6"	6-450DABF
8"	8-450DABF
10"	10-450DABF

450DA OSY & PI SHUT-OFF VALVE COMBINATIONS	
4" - 10"	OSY & PI GATE VALVES

For grooved options, part number will be designated using "GF", "FG" or "G" (e.g. 4-450DAPIOSYFG, 6-450DAOSYPGF, 10-450DAOSYPG).

OPTIONS AND LIST PRICE ADDERS (ADD OPTION TO LIST PRICE TO DETERMINE TOTAL LIST PRICE)

CUBIC FEET METER (CFM) OPTION	
4" - 10"	CFM Suffix

Part number will be designated using "CFM" (e.g. 4-450DACFM, 6-450DACFMBG, 10-450DACFMOSYPG).

LESS METER (LM) OPTION	
4" - 10"	LM Suffix

Part number will be designated using "LM" (e.g. 4-450DALM, 6-450DALMBG, 10-450DALMOSYPG).

375XL/375 SERIES – REDUCED PRESSURE PRINCIPLE ASSEMBLY



APPLICATIONS

A high health hazard level of protection in a small, modular package, the 375XL and 375 are the top of the line in backflow prevention assemblies. This patented, unique design allows for rapid commissioning and winterizing because the entire pressure vessel can be removed for line flushing.

FEATURES

- 1/2" - 2"
- 175 psi max
- 180°F max
- Short lay length – fits in smaller area
- Removable pressure vessel simplifies service and maintenance
- Composite housing and check modules resist corrosion

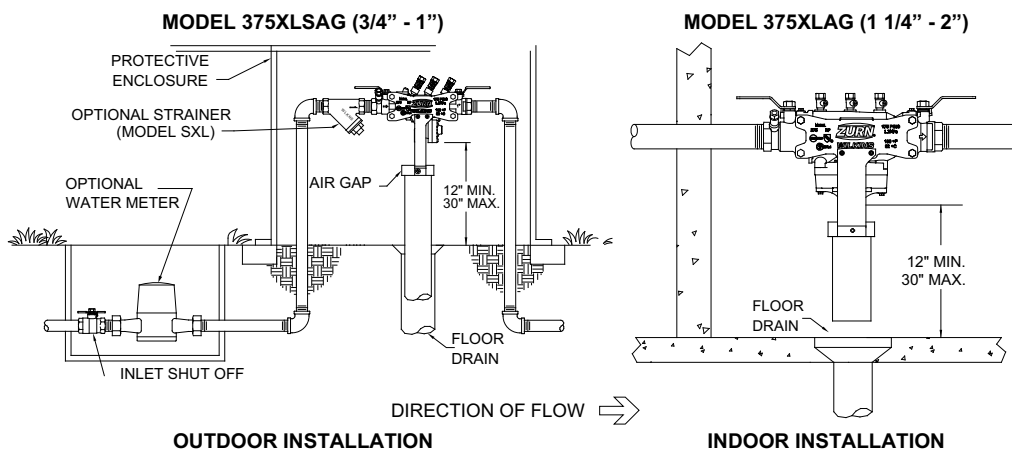
APPROVALS AND APPLICABLE SPECIFICATIONS

- Approved by the Foundation for Cross-Connection Control and Hydraulic Research at the University of Southern California
- ASSE® Listed 1013, cUPC® Listed, CSA® Certified, AWWA compliant C511
- 375XL is certified to NSF/ANSI 61 and 372

ACCESSORIES

- Air gap (Model AG)
- Thermal expansion tank (Model XT)
- Soft seated check valve (Model 40XL2)
- Water hammer arrestor (Model 1260XL)
- Quick test set (QT-SET)
- Flush fitting/blow out kit (RK34-375FLUSH or RK1-375FLUSH or RK114-350-375FLUSH)
- Bronze wye strainer (Model SXL)

TYPICAL INSTALLATION



SIZE	LEAD-FREE PART NUMBER	LEAD-FREE EXEMPT PART NUMBER
375XL/375: FNPT X FNPT		
1/2"	12-375XL	12-375
3/4"	34-375XL	34-375
1"	1-375XL	1-375
1-1/4"	114-375XL	114-375
1-1/2"	112-375XL	112-375
2"	2-375XL	2-375
OPTIONS AND LIST PRICE ADDERS (ADD OPTION TO LIST PRICE TO DETERMINE TOTAL LIST PRICE)		
FAST-TEST TEST COCKS (FT) OPTION (E.G. 2-375XLFT), 1/2" THROUGH 1" USC APPROVED		
1/2" - 2"	FT Suffix	-
AIR GAP (AG) OPTION (E.G. 2-375XLAG)		
1/2" - 1"	AG Option, Composite Air Gap (AG-11)	-
1-1/4" - 2"	AG Option, Composite Air Gap (AG-12)	-
LEAD-FREE BRONZE WYE STRAINER (S) OPTION WITH NIPPLE (E.G. 2-375XLS)		
1/2" - 2"	S Suffix	-
STREET ELBOWS (SE) OPTION (E.G. 2-375XLSE)		
1/2" - 2"	SE Suffix	-

375XLB SERIES – THEFT PREVENTION REDUCED PRESSURE PRINCIPLE ASSEMBLY



APPLICATIONS

Theft deterrent version of the 375XL, with durable black UV stabilized fusion epoxy coating applied to the exterior bronze. Ideal for high visibility outdoor irrigation, plumbing, and waterworks applications.

FEATURES

- 1/2" - 2"
- 175 psi max
- 180°F max
- Durable black UV stabilized fusion epoxy coating applied to the exterior bronze ball valves
- Stainless steel struts are uncoated
- Short lay length – fits in smaller area
- Removable pressure vessel eliminates the need of union connections
- Composite housing and check modules resist corrosion

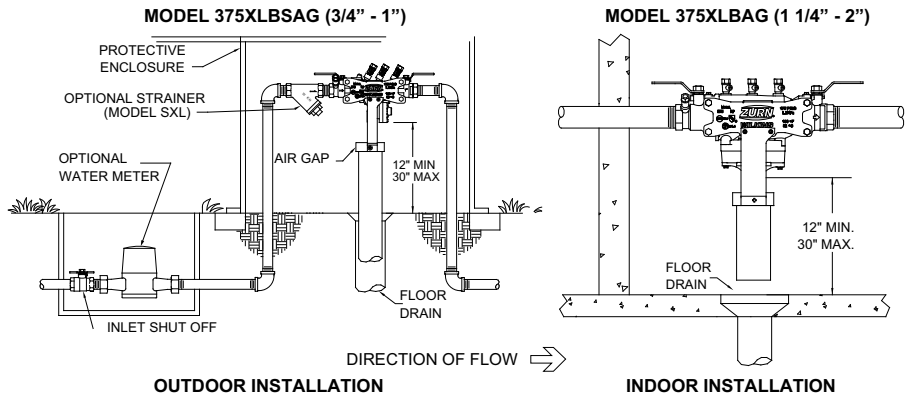
APPROVALS AND APPLICABLE SPECIFICATIONS

- Approved by the Foundation for Cross Connection Control and Hydraulic Research at the University of Southern California
- ASSE® Listed 1013, cUPC® Listed, CSA® Certified B64.4, AWWA compliant C511
- UL® Classified, C-UL® Classified
- Certified to NSF/ANSI 61 and 372

ACCESSORIES

- Thermal expansion tank (Model XT)
- Soft seated check valve (Model 40XL2)
- Water hammer arrester (Model 1260XL)
- QT-SET Quick Test Fitting Set
- Flush fitting/blow out kit (RK34-375FLUSH, RK1-375FLUSH or RK114-350-375FLUSH)
- Air gap (Model AG)
- SXL strainer
- Repair kits

TYPICAL INSTALLATION



375ST SERIES – STAINLESS STEEL REDUCED PRESSURE PRINCIPLE ASSEMBLY



APPLICATIONS

The Reduced Pressure Principle Assembly for high hazard applications in corrosive environments, such as medical, food processing, distilleries, and brewery applications.

FEATURES

- 1/2" - 1"
- 175 psi max
- 180°F max
- Short lay length – fits in smaller area
- Plastic pressure vessel and stainless steel struts are corrosion resistant
- Removable pressure vessel simplifies service and maintenance

APPROVALS AND APPLICABLE SPECIFICATIONS

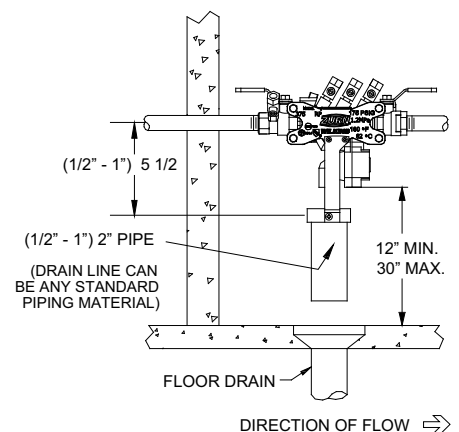
- Approved by the Foundation for Cross Connection Control and Hydraulic Research at the University of Southern California
- ASSE® Listed 1013, CSA B64.4
- Certified to NSF/ANSI 61 and 372

ACCESSORIES

- Air gap (Model AG)
- Thermal expansion tank (Model XT)
- Quick test set (QT-SET)
- Flush fitting/blow out kit (RK34-375FLUSH or RK1-375FLUSH or RK114-350-375FLUSH)
- Repair kits

SIZE	LEAD-FREE PART NUMBER
375ST: FNPT X FNPT, STAINLESS STEEL	
1/2"	12-375ST
3/4"	34-375ST
1"	1-375ST

TYPICAL INSTALLATION



For additional product information, please visit www.zurn.com.

975XL2/975XL SERIES – REDUCED PRESSURE PRINCIPLE ASSEMBLY



APPLICATIONS

The 975XL2 provides high hazard backflow protection in all market segments.

FEATURES

- 1/4" - 1/2" [top access design]
- 3/4" - 2" [wye pattern design]
- 175 psi max
- 180°F max
- Individual access covers for ease of repair
- Bronze body construction
- Noryl® replaceable seats

APPROVALS AND APPLICABLE SPECIFICATIONS

- Approved by the Foundation for Cross Connection Control and Hydraulic Research at the University of Southern California
- ASSE® Listed 1013, cUPC® Listed, CSA® Certified B64.4, AWWA compliant C511, UL® Classified, C-UL® Classified
- Model 975XL2 is certified to NSF/ANSI 61 and 372

ACCESSORIES

- Air gap (Model AG)
- Thermal expansion tank (Model XT)
- Soft seated check valve (Model 40XL2)
- Water hammer arrestor (Model 1260XL)
- SXL strainer
- Repair kits

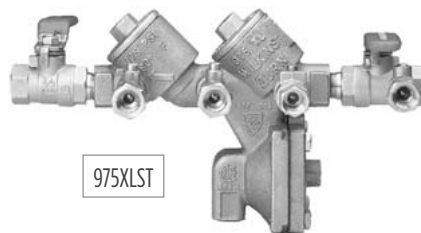
TYPICAL INSTALLATION

See next page

SIZE	LEAD-FREE PART NUMBER	LEAD-FREE EXEMPT PART NUMBER
975XL2/975XL: FNPT X FNPT		
1/4"	14-975XL2	-
3/8"	38-975XL2	-
1/2"	12-975XL2	-
3/4"	34-975XL2	34-975XL
1"	1-975XL2	1-975XL
1-1/4"	114-975XL2	114-975XL
1-1/2"	112-975XL2	112-975XL
2"	2-975XL2	2-975XL
975XL2U/975XLU: FNPT UNION X FNPT UNION		
3/4"	34-975XL2U	34-975XLU
1"	1-975XL2U	1-975XLU
1-1/4"	114-975XL2U	-
1-1/2"	112-975XL2U	-
2"	2-975XL2U	-
975XL2: FNPT X FNPT, LESS SHUT-OFF VALVES		
1/4"	14-975LXL2	-
3/8"	38-975LXL2	-
1/2"	12-975LXL2	-
975LXL2/975LXL: MNPT X MNPT, LESS SHUT-OFF VALVES		
3/4"	34-975LXL2	34-975LXL
1"	1-975LXL2	1-975LXL
1-1/4"	114-975LXL2	114-975LXL
1-1/2"	112-975LXL2	112-975LXL
2"	2-975LXL2	2-975LXL
975XLBFB: FNPT BF X FNPT BF (TAMPED BUTTERFLY VALVES), SUPERVISORY SWITCH		
1-1/4"	-	114-975XLBFBSS
1-1/2"	-	112-975XLBFBSS
2"	-	2-975XLBFBSS
975XLOS: FNPT OSY X FNPT OSY		
3/4"	-	34-975XLOS
1"	-	1-975XLOS
1-1/4"	-	114-975XLOS
1-1/2"	-	112-975XLOS
2"	-	2-975XLOS
975XLFDC: FIRE HOSE CONNECTIONS, 2-1/2" FEMALE NATIONAL HOSE THD SWIVEL X 2-1/2" MALE NATIONAL HOSE THD		
2"	-	2-975XLFDC
975XLD: MNPT X MNPT, LESS BALL VALVES, RPD BY-PASS ASSEMBLY FOR 375DA, 375ADA, 375ASTDA, 475DA AND 475DAV		
3/4"	34-975XLD	-

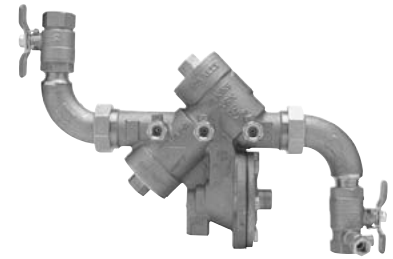
975XLST SERIES – STAINLESS STEEL REDUCED PRESSURE PRINCIPLE ASSEMBLY

SIZE	LEAD-FREE PART NUMBER
975XLST: FNPT X FNPT, STAINLESS STEEL BODY	
3/8"	38-975XLST
1/2"	12-975XLST



975XL2/975XL SERIES - REDUCED PRESSURE PRINCIPLE ASSEMBLY (CONTINUED)

975XL2SE / 975XL2SEU SERIES - REDUCED PRESSURE PRINCIPLE ASSEMBLY WITH 90° STREET ELBOW

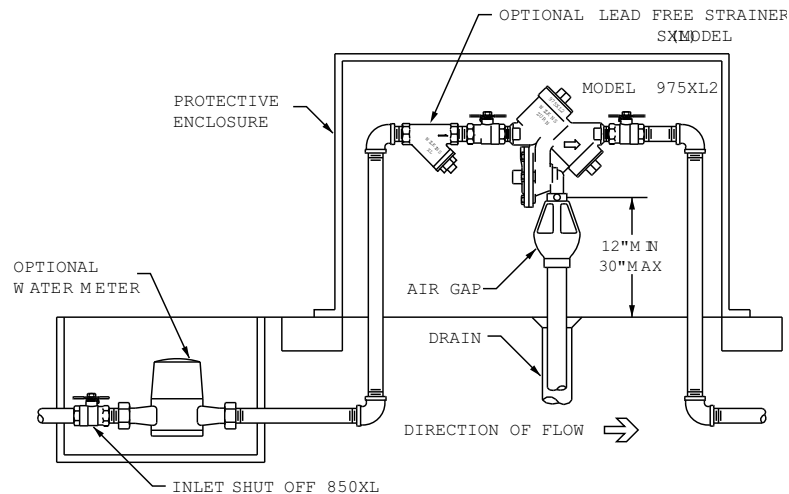


SIZE	LEAD-FREE PART NUMBER
975XL2SE: FNPT X FNPT, SWEEP ELBOWS, STANDARD BALL VALVES	
3/4"	34-975XL2SE
1"	1-975XL2SE
975XL2SEU: FNPT X FNPT, STREET ELBOWS, UNION BALL VALVES	
3/4"	34-975XL2SEU
1"	1-975XL2SEU
1-1/4"	114-975XL2SEU
1-1/2"	112-975XL2SEU
2"	2-975XL2SEU

See 975XL for available options.

OPTIONS AND LIST PRICE ADDERS (ADD OPTION TO LIST PRICE TO DETERMINE TOTAL LIST PRICE)	
FAST-TEST TEST COCKS (FT) OPTION (E.G. 2-975XL2FT), 1/4" THROUGH 1" USC APPROVED	
1/4"-2"	FT Suffix
AIR GAP (-AG) OPTION	
1/4"-1/2"	AG Option, Iron Air Gap (AG-8)
3/4"-1"	AG Option, Iron Air Gap (AG-4)
1-1/4"-2"	AG Option, Iron Air Gap (AG-5)
LEAD-FREE BRONZE WYE STRAINER (S) OPTION WITH NIPPLE (E.G. 2-975XL2S)	
1/2"-2"	S Suffix
TEST COCKS UP (TCU) OPTION (E.G. 2-975XL2TCU)	
1/4"-2"	TCU Suffix

TYPICAL INSTALLATION



975XL3 SERIES – REDUCED PRESSURE PRINCIPLE ASSEMBLY

NEW



APPLICATIONS

Ideal for use where lead-free valves are required. Designed for installation on potable water lines to protect against both backsiphonage and backpressure of contaminated water into the potable water supply. Assembly shall provide protection where a potential health hazard exists.

FEATURES

- 1/2" - 2"
- 175 psi max
- 180°F max
- Compact and shortest bronze small backflow valve on the market allowing for installation versatility
- All-bronze body ensures durability against the elements, with a Noryl[®] check body and stainless-steel fasteners to resist corrosion over time
- EZSwap[®] modular check with top access speeds up repairs and replacements
- Test ports located on valve's centerline make install and testing easy
- Checks have a twist lock connection for easy access and disassembly

APPROVALS AND APPLICABLE STANDARDS

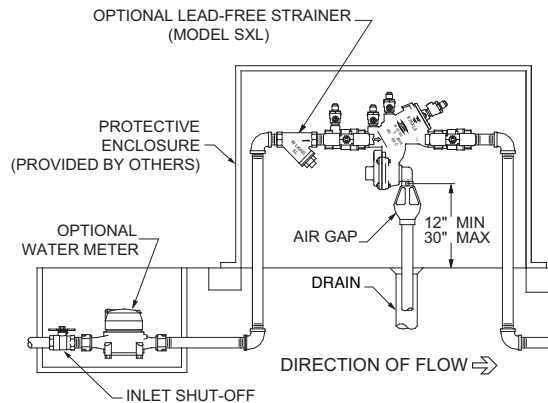
- ASSE[®] Listed 1013
- cUPC[®] Listed
- AWWA Compliant C511
- Meets the requirements of NSF/ANSI/CAN 61 and 372
- Approved by the Foundation for Cross-Connection Control and Hydraulic Research at the University of Southern California
- CSA[®] Certified B64.4

ACCESSORIES

- Air gap (Model AG-X)
- Repair kits (see repair kit guide for full list)
- Thermal expansion tank (Model XT)
- Soft seated check valve (Model 40XL2)
- Shock arrester (Model 1260XL)
- QT-SET Quick Test Fitting Set (1-1/4" - 2")
- Flush fitting/blow out kit (3/4" RK34-900XL3WF, 1" RK1-900XL3WF, 1-1/4" & 1-1/2" RK114-112-900XL3WF, 2" RK2-900XL3WF)

SIZE	LEAD-FREE PART NUMBER
975XL3: FNPT X FNPT	
1/2"	12-975XL3
3/4"	34-975XL3
1"	1-975XL3
1-1/4"	114-975XL3
1-1/2"	112-975XL3
2"	2-975XL3
975XL3U: FNPT UNION X FNPT UNION	
3/4"	34-975XL3U
1"	1-975XL3U
1-1/4"	114-975XL3U
1-1/2"	112-975XL3U
2"	2-975XL3U
975XL3SE: FNPT X FNPT, SWEEP ELBOW, STANDARD BALL VALVES	
1/2"	12-975XL3SE
3/4"	34-975XL3SE
1"	1-975XL3SE
975XL3SEU: FNPT X FNPT, STREET ELBOWS, UNION BALL VALVES	
3/4"	34-975XL3SEU
1"	1-975XL3SEU
OPTIONS AND LIST PRICE ADDERS (ADD OPTION TO LIST PRICE TO DETERMINE TOTAL LIST PRICE)	
FAST-TEST TEST COCKS (FT) OPTION (E.G. 2-975XL3FT), CONTACT FACTORY FOR APPROVALS	
1-1/4" - 2"	FT Suffix
AIR GAP (-AG) OPTION	
1/2" - 1"	AG Option, Iron Air Gap (AG-8)
1-1/4" - 1-1/2"	AG Option, Iron Air Gap (AG-4)
2"	AG Option, Iron Air Gap (AG-5)
LEAD-FREE BRONZE WYE STRAINER (S) OPTION WITH NIPPLE	
1/2" - 2"	S Suffix
975XL3BFSS: FNPT BF X FNPT BF, SUPERVISORY SWITCH (TAMPED BUTTERFLY VALVES)	
1-1/4"	114-975XL3BFSS
1-1/2"	112-975XL3BFSS
2"	2-975XL3BFSS

TYPICAL INSTALLATION



OUTDOOR INSTALLATION

*Noryl[®] is a registered trademark of SABIC Global Technologies B.V.

For additional product information, please visit www.zurn.com.

375AST SERIES – REDUCED PRESSURE PRINCIPLE ASSEMBLY WITH STAINLESS STEEL BODY



APPLICATIONS

Wilkins state of the art Reduced Pressure Principle Assembly for high hazard applications in all market segments.

FEATURES

- 2-1/2" - 10"
- 175 psi max
- 140°F max
- Grooved or flanged end connections
- Improved Compound Check design
- Short lay-length for small space installation
- Lower maintenance costs from corrosion resistance of stainless body

APPROVALS AND APPLICABLE SPECIFICATIONS

- Approved by the Foundation for Cross Connection Control and Hydraulic Research at the University of Southern California
- ASSE® Listed 1013, AWWA Compliant C511 (with gates only), and C550, FM® Approved, UL® Classified, C-UL® Classified, CSA® Certified, cUPC® Listed
- Certified to NSF/ANSI 61 and 372

ACCESSORIES

- OS&Y Gate valve tamper switch (OSY-40)
- Air gap (Model AG)
- FSC strainer
- Repair kits

SIZE	LEAD-FREE PART NUMBER
375AST: FLANGED NRS X FLANGED NRS	
2-1/2"	212-375AST
3"	3-375AST
4"	4-375AST
6"	6-375AST
8"	8-375AST
10"	10-375AST

For grooved options, part number will be designated using "GF", "FG" or "G" (e.g. 212-375ASTFG, 4-375ASTGF, 10-375ASTG).

SIZE	LEAD-FREE PART NUMBER
375ASTOSY: FLANGED OSY X FLANGED OSY	
2-1/2"	212-375ASTOSY
3"	3-375ASTOSY
4"	4-375ASTOSY
6"	6-375ASTOSY
8"	8-375ASTOSY
10"	10-375ASTOSY

For grooved options, part number will be designated using "GF", "FG" or "G" (e.g. 212-375ASTOSYFG, 4-375ASTOSYGF, 10-375ASTOSYG).

SIZE	LEAD-FREE PART NUMBER
375ASTBG: GROOVED BG X GROOVED BG (TAMPED BUTTERFLY VALVES)	
2-1/2"	212-375ASTBG
3"	3-375ASTBG
4"	4-375ASTBG
6"	6-375ASTBG
8"	8-375ASTBG
10"	10-375ASTBG

SIZE	LEAD-FREE PART NUMBER
375ASTBF: FLANGED BF X FLANGED BF (TAMPED BUTTERFLY VALVES)	
2-1/2"	212-375ASTBF
3"	3-375ASTBF
4"	4-375ASTBF
6"	6-375ASTBF
8"	8-375ASTBF
10"	10-375ASTBF

SIZE	LEAD-FREE PART NUMBER
375AST WITH OSY & PI SHUT-OFF VALVE COMBINATIONS	
2-1/2" - 10"	OSY & PI GATE VALVES

Part number will be designated using "GF", "FG" or "G" (e.g. 212-375ASTPIOSYFG, 4-375ASTOSYPIGF, 10-375ASTOSYPIG).

OPTIONS AND LIST PRICE ADDERS (ADD OPTION TO LIST PRICE TO DETERMINE TOTAL LIST PRICE)

SIZE	OPTION
AIR GAP (-AG) OPTION	
2-1/2" - 6"	AG Option, Iron Air Gap (AG-6)
8" - 10"	AG Option, Iron Air Gap (AG-7)

Part number will be designated using "-AG" (e.g. 212-375A-AG, 4-375ALMFG-AG, 10-375AOSYPIG-AG).

FSC STRAINER (FSC) OPTION WITH BOLT KIT, FLANGED X FLANGED CONNECTION

SIZE	OPTION
2-1/2" - 10"	FSC Suffix

Part number will be designated using "FSC" (e.g. 212-375AFSC, 4-375AOSYFSC, 10-375AOSYPIFSC).

300AR SERIES - REPLACEMENT BACKFLOW ASSEMBLY (2-1/2" - 10")

Custom length Double Check Valve Assembly for drop in replacements. Stainless steel grooved x grooved spool installed between the backflow valve and the outlet shut-off valve. Can be used with 350 Series and 375 Series grooved body models. For replacement of longer lay-length backflow preventers.

375ASTR list price adder to be added to list price of the 375AST to determine total list price.

See order form and product specification sheet on the website for details and options.

SIZE	INLET X OUTLET CONNECTIONS / OPTIONS
2-1/2"	Length Range: Up to 47-1/8"
3"	Length Range: Up to 48-1/8"
4"	Length Range: Up to 62-1/4"
6"	Length Range: Up to 71-1/4"
8"	Length Range: Up to 86"
10"	Length Range: Up to 100-5/8"

Part number will be designated using "375ASTR-A".

BACKFLOW PREVENTERS

BACKFLOW PREVENTERS ACCESSORIES

STRAINERS

AUTOMATIC CONTROL VALVES

PRESSURE REDUCING VALVES

PROTECTION VALVES

FIRE THERMOSTATIC MIXING VALVES

RELIEF VALVES

MISCELLANEOUS PLUMBING PRODUCTS

REPAIR KITS

375A/375 SERIES – REDUCED PRESSURE PRINCIPLE ASSEMBLY



APPLICATIONS

Traditional Reduced Pressure Principal Assembly with an epoxy coated, ductile iron body. Used in high health hazard applications and all market segments.

FEATURES

- 375A 2-1/2" - 10"
- 375 2-1/2" - 10"
- 175 psi max
- 140°F max
- Complete with two flange-ended non-rising stem resilient wedge gate valves and four resilient seated ball valve test cocks
- No threads or taps in body or cover, eliminating exposure to corrosion

APPROVALS AND APPLICABLE SPECIFICATIONS

- Approved by the Foundation for Cross-Connection Control and Hydraulic Research at the University of Southern California
- ASSE® Listed 1013, UL® Classified, FM® Approved, AWWA Compliant, C-UL® Classified, CSA® Certified, cUPC® Listed
- Certified to NSF/ANSI 61 and 372

ACCESSORIES

- Air gap (Model AG)
- Thermal expansion tank (Model XT)
- FSC strainer
- Repair kits

TYPICAL INSTALLATION

See next page

SIZE	LEAD-FREE PART NUMBER
375A: FLANGED NRS X FLANGED NRS	
2-1/2"	212-375A
3"	3-375A
4"	4-375A
6"	6-375A
8"	8-375A
10"	10-375A

For grooved options, part number will be designated using "GF", "FG" or "G" (e.g. 212-375AFG, 4-375AGF, 10-375AG).

SIZE	LEAD-FREE PART NUMBER
375AOSY: FLANGED OSY X FLANGED OSY	
2-1/2"	212-375AOSY
3"	3-375AOSY
4"	4-375AOSY
6"	6-375AOSY
8"	8-375AOSY
10"	10-375AOSY

For grooved options, part number will be designated using "GF", "FG" or "G" (e.g. 212-375AOSYFG, 4-375AOSYGF, 10-375AOSYYG).

SIZE	LEAD-FREE PART NUMBER
375ABG: GROOVED BG X GROOVED BG (TAMPURED BUTTERFLY VALVES)	
2-1/2"	212-375ABG
3"	3-375ABG
4"	4-375ABG
6"	6-375ABG
8"	8-375ABG
10"	10-375ABG

SIZE	LEAD-FREE PART NUMBER
375ABF: FLANGED BF X FLANGED BF (TAMPURED BUTTERFLY VALVES)	
2-1/2"	212-375ABF
3"	3-375ABF
4"	4-375ABF
6"	6-375ABF
8"	8-375ABF
10"	10-375ABF

SIZE	LEAD-FREE PART NUMBER
375A WITH OSY AND PI SHUT-OFF VALVE COMBINATIONS	
2-1/2" - 10"	OSY & PI GATE VALVES

Part number will be designated using "GF", "FG" or "G" (e.g. 212-375APIOSYFG, 4-375AOSYPIGF, 10-375AOSYPIG).

OPTIONS AND LIST PRICE ADDERS (ADD OPTION TO LIST PRICE TO DETERMINE TOTAL LIST PRICE)

300AR SERIES - REPLACEMENT BACKFLOW ASSEMBLY (2-1/2" - 10")

Custom length Double Check Valve Assembly for drop in replacements. Stainless steel grooved x grooved spool installed between the backflow valve and the outlet shut-off valve. Can be used with 350 Series and 375 Series grooved body models. For replacement of longer lay-length backflow preventers.

375AR list price adder to be added to list price of the 375A to determine total list price.

See order form and product specification sheet on the website for details and options.

SIZE	INLET X OUTLET CONNECTIONS / OPTIONS
2-1/2"	Length Range: Up to 47-1/8"
3"	Length Range: Up to 48-1/8"
4"	Length Range: Up to 62-1/4"
6"	Length Range: Up to 71-1/4"
8"	Length Range: Up to 86"
10"	Length Range: Up to 100-5/8"

Part number will be designated using "375AR-A".

375A/375 SERIES – REDUCED PRESSURE PRINCIPLE ASSEMBLY (CONTINUED)

SIZE	LEAD-FREE PART NUMBER
375: FLANGED NRS X FLANGED NRS	
2-1/2"	212-375
3"	3-375
4"	4-375
6"	6-375
8"	8-375
10"	10-375

For grooved options, part number will be designated using "GF", "FG" or "G" (e.g. 212-375FG, 4-375GF, 10-375G).

375OSY: FLANGED OSY X FLANGED OSY	
2-1/2"	212-375OSY
3"	3-375OSY
4"	4-375OSY
6"	6-375OSY
8"	8-375OSY
10"	10-375OSY

For grooved options, part number will be designated using "GF", "FG" or "G" (e.g. 212-375OSYFG, 4-375OSYGF, 10-375OSYG).

375 OSY AND PI SHUT-OFF VALVE COMBINATIONS	
2-1/2"-10"	OSY & PI GATE VALVES

For grooved options, part number will be designated using "GF", "FG" or "G" (e.g. 212-375PIOSYFG, 4-375OSYPIGF, 10-375OSYPIG).

OPTIONS AND LIST PRICE ADDERS (ADD OPTION TO LIST PRICE TO DETERMINE TOTAL LIST PRICE)

AIR GAP (-AG) OPTION	
2-1/2" - 6"	AG Option, Iron Air Gap (AG-6)
8" - 10"	AG Option, Iron Air Gap (AG-7)

Part number will be designated using "-AG" (e.g. 212-375-AG, 4-375LMFG-AG, 10-375OSYPIG-AG).

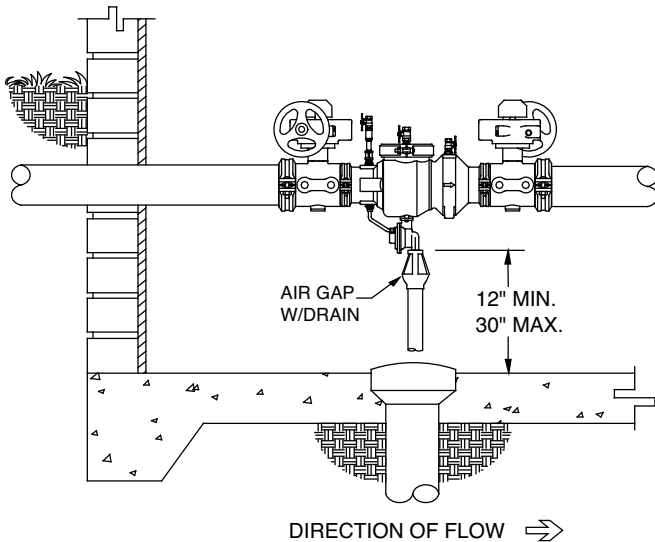
FSC STRAINER (FSC) OPTION WITH BOLT KIT, FLANGED X FLANGED CONNECTION

2-1/2" - 10"	FSC Suffix
--------------	------------

Part number will be designated using "FSC" (e.g. 212-375FSC, 4-375OSYFSC, 10-375OSYPIFSC).

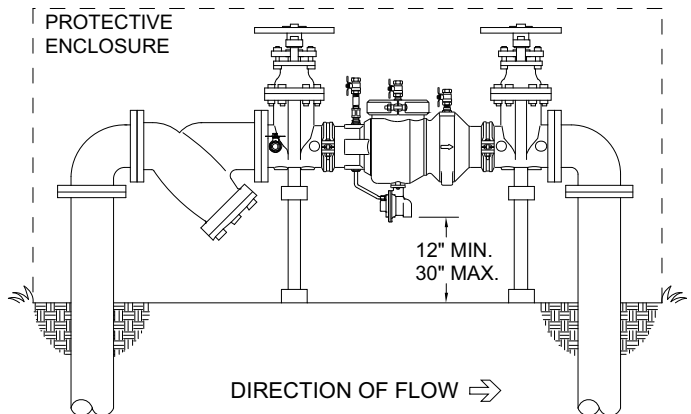
TYPICAL INSTALLATION

MODEL 375ABG



INDOOR INSTALLATION

MODEL 375AFSC



OUTDOOR INSTALLATION

475ST/475STV SERIES – REDUCED PRESSURE PRINCIPLE ASSEMBLY WITH STAINLESS STEEL BODY



APPLICATIONS

Designed for drop in replacement of competitor valves and new installation on potable water lines to protect against both backsiphonage and backpressure of contaminated water into the potable water supply. The Model 475ST shall provide protection in a high hazard health application. The configuration 475STV is for applications requiring vertical flow up. Ideal for use where lead-free valves are required.

FEATURES

- 4" - 10"
- 175 psi max
- 140°F max
- n-Pattern space saving design
- Available in up/down (475ST) or up/up (475STV) configuration
- Stainless steel body
- Direct drop in replacement of competitor valves

APPROVALS AND APPLICABLE SPECIFICATIONS

- Approved by the Foundation for Cross-Connection Control and Hydraulic Research at the University of Southern California
- ASSE® Listed 1013, UL® Classified, FM® Approved, C-UL® Classified, CSA® Certified, AWWA Compliant C511 (with gates only), and C550
- Certified to NSF/ANSI 61

ACCESSORIES

- Air gap (Model AG)
- Valve setter (Model FLSST or MJSST or MJFSST)
- OS&Y gate valve supervisory switch (OSY-40)
- Repair kits
- 4" to 3" adaptor (RFK4X3-400ST)

TYPICAL INSTALLATION

See next page

SIZE	LEAD-FREE PART NUMBER
475ST: FLANGED NRS X FLANGED NRS	
4"	4-475ST
6"	6-475ST
8"	8-475ST
10"	10-475ST

For grooved options, part number will be designated using "GF", "FG", or "G" (e.g. 4-475STFG, 4-475STGF, 4-475STG)

SIZE	LEAD-FREE PART NUMBER
475STOSY: FLANGED OSY X FLANGED OSY	
4"	4-475STOSY
6"	6-475STOSY
8"	8-475STOSY
10"	10-475STOSY

For grooved options, part number will be designated using "GF", "FG", or "G" (e.g. 4-475STOSYFG, 4-475STOSYGF, 4-475STOSYG)

SIZE	LEAD-FREE PART NUMBER
475STBG: GROOVED BG X GROOVED BG (TAMPED BUTTERFLY VALVES)	
4"	4-475STBG
6"	6-475STBG
8"	8-475STBG
10"	10-475STBG

SIZE	LEAD-FREE PART NUMBER
475STBF: FLANGED BF X FLANGED BF (TAMPED BUTTERFLY VALVES)	
4"	4-475STBF
6"	6-475STBF
8"	8-475STBF
10"	10-475STBF

SIZE	LEAD-FREE PART NUMBER
475STPI: FLANGED PI X FLANGED PI	
4"	4-475STPI
6"	6-475STPI
8"	8-475STPI
10"	10-475STPI

SIZE	LEAD-FREE PART NUMBER
475STV: FLANGED NRS X FLANGED NRS	
4"	4-475STV
6"	6-475STV
8"	8-475STV
10"	10-475STV

SIZE	LEAD-FREE PART NUMBER
475STVOSY: FLANGED OSY X FLANGED OSY	
4"	4-475STVOSY
6"	6-475STVOSY
8"	8-475STVOSY
10"	10-475STVOSY

SIZE	LEAD-FREE PART NUMBER
475STVPI: FLANGED PI X FLANGED PI	
4"	4-475STVPI
6"	6-475STVPI
8"	8-475STVPI
10"	10-475STVPI

SIZE	LEAD-FREE PART NUMBER
475STVBG: GROOVED BG X GROOVED BG (TAMPED BUTTERFLY VALVES)	
4"	4-475STVBG
6"	6-475STVBG
8"	8-475STVBG
10"	10-475STVBG

SIZE	LEAD-FREE PART NUMBER
475STVBF: FLANGED BF X FLANGED BF (TAMPED BUTTERFLY VALVES)	
4"	4-475STVBF
6"	6-475STVBF
8"	8-475STVBF
10"	10-475STVBF

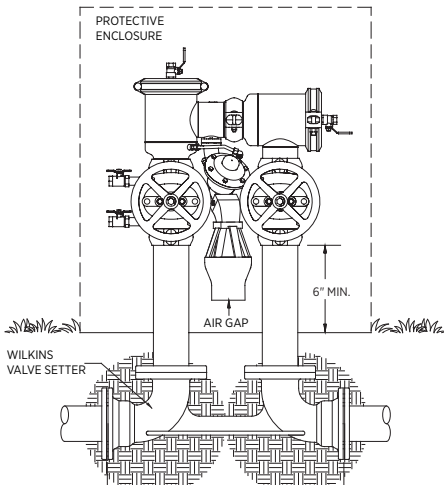
SIZE	LEAD-FREE PART NUMBER
475STR: FLANGED NRS X FLANGED NRS REPLACEMENT BACKFLOW	
4"	4-475STR
6"	6-475STR
8"	8-475STR
10"	10-475STR

SIZE	LEAD-FREE PART NUMBER
475STROSY: FLANGED NRS X FLANGED NRS REPLACEMENT BACKFLOW	
4"	4-475STROSY
6"	6-475STROSY
8"	8-475STROSY
10"	10-475STROSY

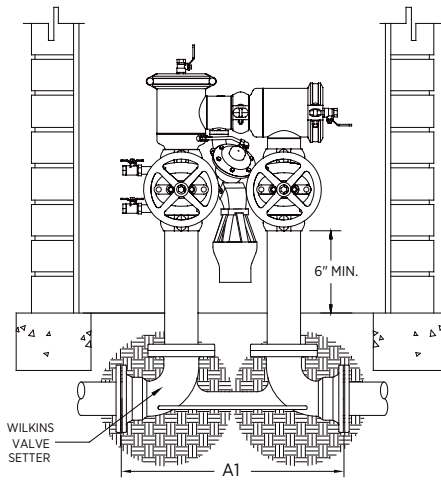
SIZE	LEAD-FREE PART NUMBER
475STRV: FLANGED NRS X FLANGED NRS REPLACEMENT BACKFLOW	
4"	4-475STRV
6"	6-475STRV
8"	8-475STRV
10"	10-475STRV

475ST/475STV SERIES – REDUCED PRESSURE PRINCIPLE ASSEMBLY WITH STAINLESS STEEL BODY (CONTINUED)

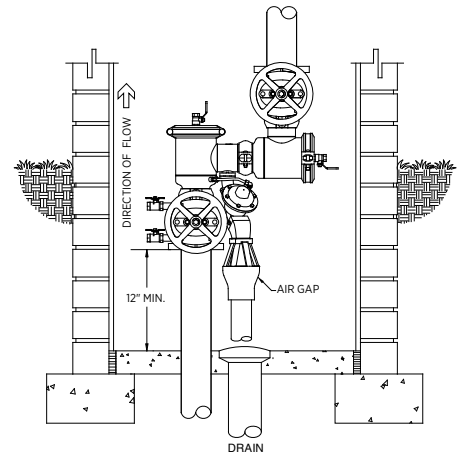
TYPICAL INSTALLATION



OUTDOOR INSTALLATION



INDOOR INSTALLATION



VERTICAL INSTALLATION

BACKFLOW PREVENTERS

BACKFLOW PREVENTERS ACCESSORIES

STRAINERS

AUTOMATIC CONTROL VALVES

PRESSURE REDUCING VALVES

FIRE PROTECTION VALVES

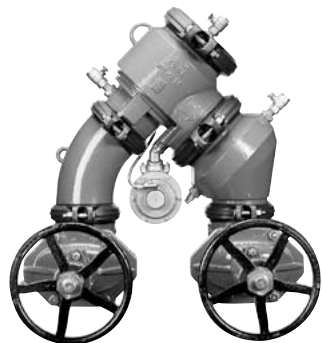
THERMOSTATIC MIXING VALVES

RELIEF VALVES

MISCELLANEOUS PLUMBING PRODUCTS

REPAIR KITS

475/475V SERIES – REDUCED PRESSURE PRINCIPLE ASSEMBLY



APPLICATIONS

A compact reduced pressure principal assembly in the "n" pattern for new or retrofit installations in tight locations. Also available as a 475V for vertical flow path.

FEATURES

- 2-1/2" - 10"
- 2-1/2" and 3" sizes use 375 with 90° elbows
- 175 psi max
- 140°F max
- n-Pattern space saving design
- Available in up/down (475) or up/up (475V) configuration
- Epoxy coated ductile iron body
- Utilizes modular, center-stem guided Compound Check

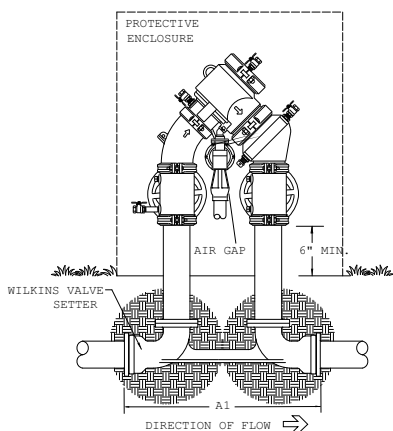
APPROVALS AND APPLICABLE SPECIFICATIONS

- Approved by the Foundation for Cross-Connection Control and Hydraulic Research at the University of Southern California
- ASSE® Listed 1013, UL® Classified, FM® Approved, C-UL® Classified, cUPC® Listed, CSA® Certified, AWWA Compliant
- Certified to NSF/ANSI 61 and 372

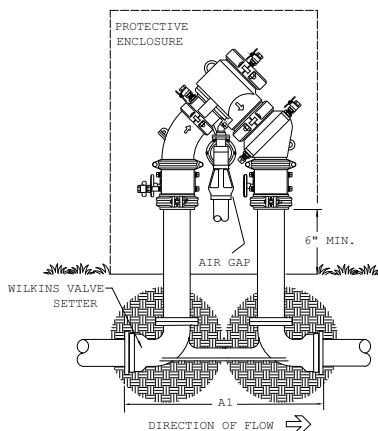
ACCESSORIES

- Air gap (Model AG)
- Valve setter (Model FLS or MJS or MJFS)
- Repair kits

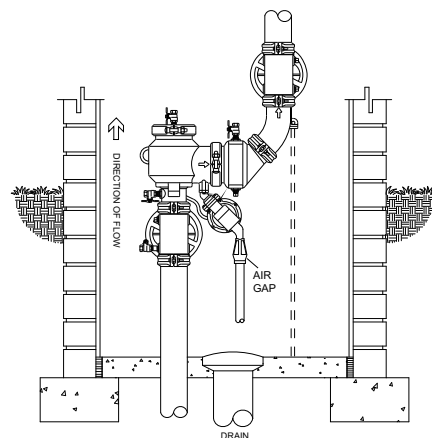
TYPICAL INSTALLATION



OUTDOOR INSTALLATION
MODEL 475G



OUTDOOR INSTALLATION
MODEL 475BG



VERTICAL INSTALLATION
MODEL 475VG

SIZE	LEAD-FREE PART NUMBER
475: FLANGED NRS X FLANGED NRS	
2-1/2"	212-475
3"	3-475
4"	4-475
6"	6-475
8"	8-475
10"	10-475

For grooved options, part number will be designated using "GF", "FG" or "G" (e.g. 212-475FG, 4-475GF, 10-475G).

SIZE	LEAD-FREE PART NUMBER
475OSY: FLANGED OSY X FLANGED OSY	
2-1/2"	212-475OSY
3"	3-475OSY
4"	4-475OSY
6"	6-475OSY
8"	8-475OSY
10"	10-475OSY

For grooved options, part number will be designated using "GF", "FG" or "G" (e.g. 212-475OSYFG, 4-475OSYGF, 10-475OSYFG).

SIZE	LEAD-FREE PART NUMBER
475BG: GROOVED BG X GROOVED BG (TAMPURED BUTTERFLY VALVES)	
4"	4-475BG
6"	6-475BG
8"	8-475BG
10"	10-475BG

SIZE	LEAD-FREE PART NUMBER
475BF: FLANGED BF X FLANGED BF (TAMPURED BUTTERFLY VALVES)	
4"	4-475BF
6"	6-475BF
8"	8-475BF
10"	10-475BF

SIZE	LEAD-FREE PART NUMBER
475 OSY AND PI SHUT-OFF VALVE COMBINATIONS	
2-1/2" - 10"	OSY & PI GATE VALVES

For grooved options, part number will be designated using "GF", "FG" or "G" (e.g. 212-475PIOSYFG, 4-475OSYPIGF, 10-475OSYPIFG).

OPTIONS AND LIST PRICE ADDERS (ADD OPTION TO LIST PRICE TO DETERMINE TOTAL LIST PRICE)

AIR GAP (-AG) OPTION	
2-1/2" - 6"	AG Option, Iron Air Gap (AG-6)
8" - 10"	AG Option, Iron Air Gap (AG-7)

Part number will be designated using "-AG" (e.g. 212-475-AG, 6-475LMFG-AG, 10-475OSYPIG-AG).

FSC STRAINER (FSC) OPTION WITH BOLT KIT, FLANGED X FLANGED CONNECTION

2-1/2" - 10"	FSC Suffix
--------------	------------

Part number will be designated using "FSC" (e.g. 212-475FSC, 4-475OSYFSC, 10-475OSYPIFSC).

475/475V SERIES – REDUCED PRESSURE PRINCIPLE ASSEMBLY (CONTINUED)

SIZE	LEAD-FREE PART NUMBER
------	-----------------------

475V: FLANGED NRS X FLANGED NRS

2-1/2"	212-475V
3"	3-475V
4"	4-475V
6"	6-475V
8"	8-475V
10"	10-475V

For grooved options, part number will be designated using "GF", "FG" or "G" (e.g. 212-475VFG, 4-475VGF, 10-475VG).

475VOSY: FLANGED OSY X FLANGED OSY

2-1/2"	212-475VOSY
3"	3-475VOSY
4"	4-475VOSY
6"	6-475VOSY
8"	8-475VOSY
10"	10-475VOSY

For grooved options, part number will be designated using "GF", "FG" or "G" (e.g. 212-475VOSYFG, 4-475VOSYGF, 10-475VOSYVG).

475VBG: GROOVED BG X GROOVED BG (TAMPED BUTTERFLY VALVES)

4"	4-475VBG
6"	6-475VBG
8"	8-475VBG
10"	10-475VBG

475VBF: FLANGED BF X FLANGED BF (TAMPED BUTTERFLY VALVES)

4"	4-475VBF
6"	6-475VBF
8"	8-475VBF
10"	10-475VBF

475V WITH OSY AND PI SHUT-OFF VALVE COMBINATIONS

2-1/2"-10"	OSY & PI GATE VALVES
------------	----------------------

For grooved options, part number will be designated using "GF", "FG" or "G" (e.g. 212-475VPIOSYFG, 4-475VOSYPIGF, 10-475VOSYPIG).

OPTIONS AND LIST PRICE ADDERS (ADD OPTION TO LIST PRICE TO DETERMINE TOTAL LIST PRICE)

AIR GAP (-AG) OPTION

2-1/2" - 3"	AG Option, Iron Air Gap (AG-6)
4" - 6"	AG Option, Iron Air Gap (AG-9)
8" - 10"	AG Option, Iron Air Gap (AG-10)

Part number will be designated using "-AG" (e.g. 212-475V-AG, 6-475VLMFG-AG, 10-475VOSYPIG-AG).

BACKFLOW PREVENTERS

BACKFLOW PREVENTERS ACCESSORIES

STRAINERS

AUTOMATIC CONTROL VALVES

PRESSURE REDUCING VALVES

FIRE PROTECTION VALVES

THERMOSTATIC MIXING VALVES

RELIEF VALVES

MISCELLANEOUS PLUMBING PRODUCTS

REPAIR KITS

375W1/375AW1/375ASTW1 SERIES AND W1 RETROFIT KIT - CONNECTED BACKFLOW W/ WIRELESS MONITOR (2-1/2" - 10")



APPLICATIONS

Ideal for use in mechanical rooms, basements and enclosures where undetected relief valve discharge could potentially cause water damage. The controller monitors zone pressure and relief valve position and sends this data by wireless to the cloud. This data is processed to determine how much water is being discharged, then notifications are sent to the user as desired. Designed for plumbing, waterworks, and irrigation systems.

FEATURES

- Sizes 2-1/2" - 10" - Reduced Pressure Principle Backflow Preventer with Integral Relief Valve Monitor (Model 375W1, 375AW1, 375ASTW1 - Connected Backflow w/Wireless Monitor)
- 175 psi max
- 140°F max
- Transmits relief water discharge data via plumbSMART™, a secure web portal with 24/7 access
- Customizable alert parameters
- Opt in to real-time notifications via email or text
- Dashboard-style device alerts, performance data and trends

APPROVALS AND APPLICABLE SPECIFICATIONS

- Approved by the Foundation for Cross Connection Control and Hydraulic Research at the University of Southern California
- AWWA Compliant C511 (with gates only) and C550
- ASSE® Listed 1013
- cUPC® Listed
- Meets the requirements of NSF/ANSI 61

IMPORTANT

Completed order form required. Order form can be found on the Resources tab of the product page

TYPICAL INSTALLATION

Local codes shall govern installation requirements. Unless otherwise specified, the assembly shall be mounted at a minimum of 12" (305 mm) and a maximum of 30" (762 mm) above adequate drains with sufficient side clearance for testing and maintenance. The installation shall be made so that no part of the unit can be submerged.

SIZE	LEAD-FREE PART NUMBER
375W1: FLANGED NRS X FLANGED NRS	
2-1/2"	212-375W1
3"	3-375W1
4"	4-375W1
6"	6-375W1
8"	8-375W1
10"	10-375W1

SIZE	LEAD-FREE PART NUMBER
375W1OSY: FLANGED OSY X FLANGED OSY	
2-1/2"	212-375W1OSY
3"	3-375W1OSY
4"	4-375W1OSY
6"	6-375W1OSY
8"	8-375W1OSY
10"	10-375W1OSY

SIZE	LEAD-FREE PART NUMBER
375AW1: FLANGED NRS X FLANGED NRS	
2-1/2"	212-375AW1
3"	3-375AW1
4"	4-375AW1
6"	6-375AW1
8"	8-375AW1
10"	10-375AW1

SIZE	LEAD-FREE PART NUMBER
375AW1OSY: FLANGED OSY X FLANGED OSY	
2-1/2"	212-375AW1OSY
3"	3-375AW1OSY
4"	4-375AW1OSY
6"	6-375AW1OSY
8"	8-375AW1OSY
10"	10-375AW1OSY

SIZE	LEAD-FREE PART NUMBER
375ASTW1: STAINLESS STEEL BACKFLOW, FLANGED NRS X FLANGED NRS	
2-1/2"	212-375ASTW1
3"	3-375ASTW1
4"	4-375ASTW1
6"	6-375ASTW1
8"	8-375ASTW1
10"	10-375ASTW1

SIZE	LEAD-FREE PART NUMBER
375ASTW1OSY: STAINLESS STEEL BACKFLOW, FLANGED OSY X FLANGED OSY	
2-1/2"	212-375ASTW1OSY
3"	3-375ASTW1OSY
4"	4-375ASTW1OSY
6"	6-375ASTW1OSY
8"	8-375ASTW1OSY
10"	10-375ASTW1OSY

For grooved options, part number will be designated using "GF", "FG" or "G" (e.g. 212-375W1GF, 4-375W1FG, 10-375W1G).

OPTIONS AND LIST PRICE ADDERS (ADD OPTION TO LIST PRICE TO DETERMINE TOTAL LIST PRICE)

AIR GAP (-AG) OPTION

2-1/2" - 6"	AG Option, Iron Air Gap (AG-6)
8" - 10"	AG Option, Iron Air Gap (AG-7)
<i>Part number will be designated using "-AG" (e.g. 212-375W1-AG).</i>	

FSC STRAINER (FSC) OPTION WITH BOLT KIT, FLANGED X FLANGED CONNECTION (E.G. 212-375W1FSC)

2-1/2" - 10"	FSC Suffix
<i>Part number will be designated using "FSC" (e.g. 212-375W1FSC).</i>	

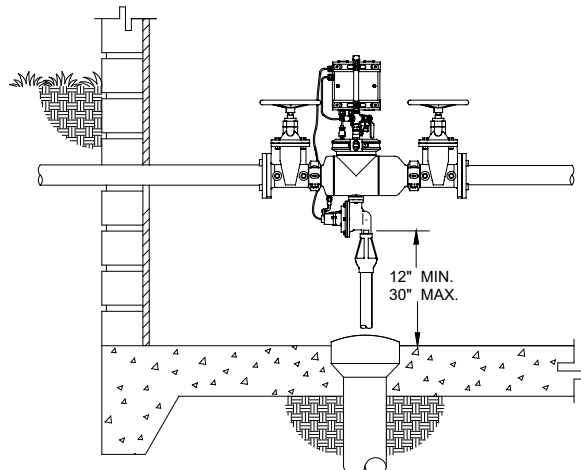
GATEWAY

DESCRIPTION	LEAD-FREE PART NUMBER
Ethernet Gateway	ZGW-LORA-W1-ETH
LTE Cellular Gateway	ZGW-LORA-W1-LTE

W1 RETROFIT KIT

DESCRIPTION	LEAD-FREE PART NUMBER
W1 Retrofit Kit for Wilkins RP Valve: 2-1/2" - 6"	212-6-RFK-375W1
W1 Retrofit Kit for Wilkins RP Valve: 6" - 10"	6-10-RFK-375W1

TYPICAL INSTALLATION



FCIS SERIES – CONNECTED FLOOD CONTROL SYSTEM (2-1/2" - 10") / FLOOD CONTROL INTEGRATED SYSTEM (1-1/4" - 2")



APPLICATIONS

For the prevention of catastrophic flooding in indoor applications. Automatically shuts off the water supply in the event of relief valve discharge. Designed for plumbing, waterworks, and irrigation systems.

FEATURES

- 1-1/4" - 2" (FCIS with EST)
- 2-1/2" - 10" (FCIS Connected)
- 175 psi max
- 140°F max
- Sizes 1-1/4" - 2" - Reduced Pressure Principle Backflow Preventer with Monitor Switch (Model 975XL2MSFC)
- Sizes 2-1/2" - 10" - Reduced Pressure Principle Backflow Preventer with Integral Relief Valve Monitor Switch (Model 375W1, 375AW1, 375ASTW1 - Connected Backflow w/Wireless Monitor)
- Sizes 1-1/4" - 2" - Electronic Solenoid Timer (Model EST) attached to a Solenoid Control Valve (Model ZW206) to shut off the water supply
- Sizes 2-1/2" - 10" Connected Endpoint Controller attached to a Solenoid Control Valve (Model ZW206) to shut off the water supply
- Sizes 1-1/4" - 2" - threaded NPT end connections
- Sizes 2-1/2" - 10" - grooved or flanged end connections
- Quick disconnect connectors
- Alarm Output contacts
- Ships as two components

IMPORTANT

Completed order form required. Order form can be found on the Resources tab of the product page

TYPICAL INSTALLATION

Sizes 1-1/4" - 2":

CAUTION: To prevent water damage, an adequately sized drain MUST still be installed to handle water discharge from the backflow relief valve.

Sizes 2-1/2" - 10":

CAUTION: To prevent water damage, an adequately sized drain MUST still be installed to handle water discharge from the backflow relief valve. The relief valve monitor senses relief valve position and zone pressure to determine discharged water volume. When it has measured 50 gallons of continuous discharge it will shut off the inlet water supply. This shut off threshold may be modified via our secure web portal, plumbSMART™ by authorized users, and will remain an active function of the Connected Flood Control System regardless of Internet connection or Portal subscription status. Designated users of the Portal may also receive alerts and notifications via email and/or text message when discharge exceeds preset thresholds and when inlet water supply has been shut off.

SIZE	LEAD-FREE PART NUMBER
FCIS: NPT X NPT	
1-1/4"	114-FCIS
1-1/2"	112-FCIS
2"	2-FCIS
FCIS: FLANGED NRS X FLANGED NRS	
2-1/2"	212-FCIS
3"	3-FCIS
4"	4-FCIS
6"	6-FCIS
8"	8-FCIS
10"	10-FCIS
FCISOSY: FLANGED OSY X FLANGED OSY	
2-1/2"	212-FCISOSY
3"	3-FCISOSY
4"	4-FCISOSY
6"	6-FCISOSY
8"	8-FCISOSY
10"	10-FCISOSY
FCISAST: STAINLESS STEEL BACKFLOW, FLANGED NRS X FLANGED NRS	
2-1/2"	212-FCISAST
3"	3-FCISAST
4"	4-FCISAST
6"	6-FCISAST
8"	8-FCISAST
10"	10-FCISAST
FCISASTOSY: STAINLESS STEEL BACKFLOW, FLANGED OSY X FLANGED OSY	
2-1/2"	212-FCISASTOSY
3"	3-FCISASTOSY
4"	4-FCISASTOSY
6"	6-FCISASTOSY
8"	8-FCISASTOSY
10"	10-FCISASTOSY

For grooved options, part number will be designated using "GF", "FG" or "G" (e.g. 212-FCISGF, 4-FCISFG, 10-FCISG).

OPTIONS AND LIST PRICE ADDERS (ADD OPTION TO LIST PRICE TO DETERMINE TOTAL LIST PRICE)

AIR GAP (-AG) OPTION

1-1/4" - 2"	AG Option, Iron Air Gap (AG-5)
2-1/2" - 6"	AG Option, Iron Air Gap (AG-6)
8" - 10"	AG Option, Iron Air Gap (AG-7)

Part number will be designated using "-AG" (e.g. 212-FCIS-AG).

FSC STRAINER (FSC) OPTION WITH BOLT KIT, FLANGED X FLANGED CONNECTION (E.G. 212-FCISFSC)

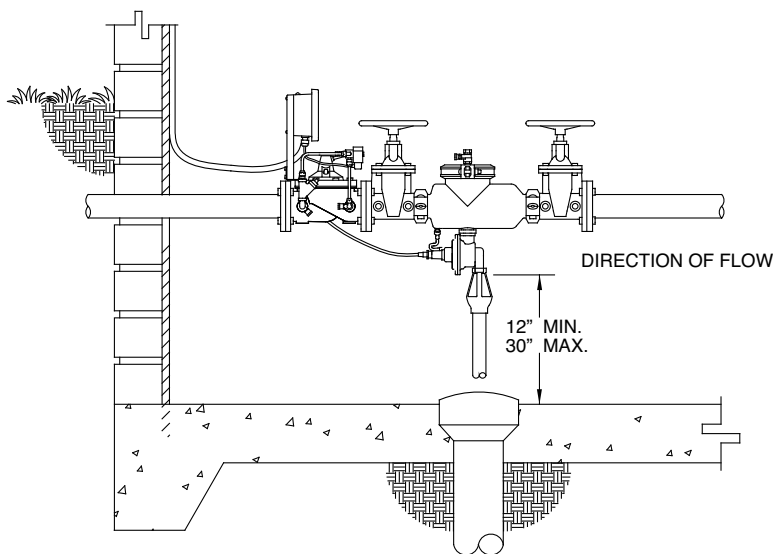
2-1/2" - 10" FSC Suffix

Part number will be designated using "FSC" (e.g. 212-FCISFSC).

GATEWAY

DESCRIPTION	LEAD-FREE PART NUMBER
Ethernet Gateway	ZGW-LORA-W1-ETH
LTE Cellular Gateway	ZGW-LORA-W1-LTE

TYPICAL INSTALLATION



ZCSM-PF AND ZCSM-BTM - CONNECTED PRESSURE MONITOR (ZCSM-PF) WITH OPTIONAL CONNECTED FLOW METER (ZCSM-BTM)

NEW



SIZE	LEAD-FREE PART NUMBER
ZCSM-PF: CONNECTED PRESSURE MONITOR	
2-1/2" - 12"	ZCSM-PF

SIZE	LEAD-FREE PART NUMBER
ZCSM-BTM: CONNECTED FLOW METER	
3"	3-ZCSM-BTM
4"	4-ZCSM-BTM
6"	6-ZCSM-BTM
8"	8-ZCSM-BTM
10"	10-ZCSM-BTM

GATEWAY

DESCRIPTION	LEAD-FREE PART NUMBER
Ethernet Gateway	ZGW-LORA-W1-ETH
LTE Cellular Gateway	ZGW-LORA-W1-LTE

ZCSM-PF APPLICATIONS

Designed for use and installation on 2-1/2" – 12" Wilkins backflow prevention valves to continually monitor your plumbing system water pressure. The ZCSM-PF Connected Pressure Monitor transmits plumbing system pressure data 24/7 to the plumbSMART™ web portal and mobile app. Proactively monitor your incoming water pressure, receive real-time alerts for preset high and low pressure parameters, and access system data for trends and predictive maintenance anytime and anywhere.

ZCSM-PF FEATURES

- Maximum working water pressure of 200 psi
- Proactively monitor your incoming water pressure
- Receive real-time text and/or email alerts for preset high and low pressure
- View performance data and trends via a secure web portal with 24/7 remote access
- The Flow Meter option (ZCSM-BTM) is an optional upgrade combined with the Connected Pressure Monitor (ZCSM-PF)

APPROVALS AND APPLICABLE SPECIFICATIONS

- Meets the requirements of NSF/ANSI 61

IMPORTANT

The ZCSM-PF Connected Pressure Monitor must be ordered in combination with a Wilkins Backflow Preventer.

The ZCSM-BTM Connected Flow Meter option is an available upgrade combined with the ZCSM-PF Connected Pressure Monitor (ZCSM-PF). The ZCSM-PF with optional ZCSM-BTM must be ordered in combination with a Wilkins Backflow Preventer. The ZCSM-PF Connected Pressure Monitor and ZCSM-BTM Connected Flow Meter option must have a one Gateway installed within a 1,000 ft radius. Communicates via Ethernet or LTE.

ZCSM-BTM APPLICATIONS

Designed for use with 3" – 10" Wilkins backflow prevention valves to continually monitor water flow and consumption. This turbine water meter with electronic register can be installed either upstream or downstream of the backflow preventer. It connects with the ZCSM-PF Connected Pressure Monitor to transmit flow and consumption data to plumbSMART™.

ZCSM-BTM FEATURES

- Monitor water flow rate and incoming water pressure
- Receive real-time text and/or email alerts for water waste and preset high and low pressure
- View performance data and trends via a secure web portal with 24/7 remote access
- Optional upgrade available for all Double Check Backflow Preventers or Reduced Pressure Principle Backflow Preventers 3" or larger
- Opt in to real-time notifications via email or text
- Dashboard-style device alerts, performance data and trends
- The Flow Meter option (ZCSM-BTM) is an available upgrade combined with the Connected Pressure Monitor (ZCSM-PF)

ZCSM-PF TYPICAL INSTALLATION

Typical Installation on 4" Model 375AST backflow preventer, shown with ZCSM-PF Connected Pressure Monitor



ZCSM-PF WITH ZCSM-BTM TYPICAL INSTALLATION

Typical Installation on 4" Model 375AST backflow preventer, shown with ZCSM-PF Connected Pressure Monitor and 4-ZCSM-BTM Connected Flow Meter upgrade



975XLHBM SERIES - HYDRANT BACKFLOW AND METER VALVE



APPLICATIONS

Combines a meter and backflow preventer in a common package. Helps maintain water quality while generating revenue for the water purveyor.

FEATURES

- 2"
- 175 psi max
- 180°F max
- Maximum intermittent flow rate of 250 gpm
- Maximum continuous flow rate of 160 gpm
- Outlet shutoff valve allows for easy flow adjustment
- NSFHT adapters allow for connection to 2-1/2" fire hydrant (inlet) and 2-1/2" fire hose (outlet)

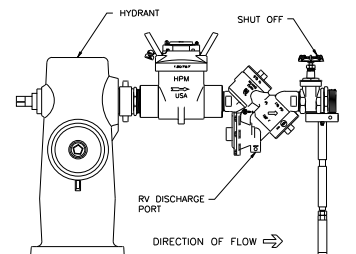
APPROVALS AND APPLICABLE SPECIFICATIONS

- Meter portion meets the requirements of ANSI / AWWA C701-88 Class II
- Meets the design requirements of most national standards. Due to the portability of the assembly, there are no national approvals available

ACCESSORIES

- Breakaway Hydrant Lock for barrel lock (BHLB)
- Breakaway Hydrant Lock for padlock (BHLP)

TYPICAL INSTALLATION



RPHBM SERIES - HIGH CAPACITY HYDRANT BACKFLOW AND METER COMBINATION



APPLICATIONS

Combines a meter and backflow preventer in a common package. Helps maintain water quality while generating revenue for the water purveyor.

FEATURES

- 3"
- 175 psi max
- 140°F max
- Max intermittent flow rate 650 gpm
- Max continuous flow rate 450 gpm
- Min flow rate 2½ gpm
- Epoxy coated aluminum body with approved internal components and relief valve

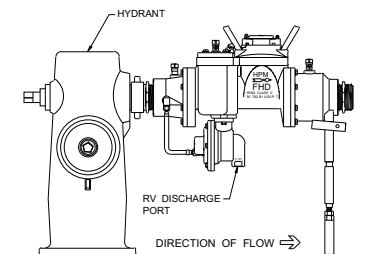
APPROVALS AND APPLICABLE SPECIFICATIONS

- Meets the requirements of ANSI/AWWA C701-88 class II (for meter only)
- Meets the design requirements of most national standards. Due to the portability of the assembly, there are no national approvals available

ACCESSORIES

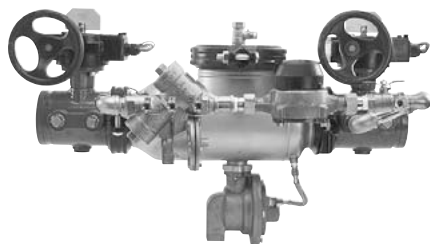
- Breakaway hydrant lock for barrel lock (BHLB)
- Breakaway hydrant lock for padlock (BHLP)

TYPICAL INSTALLATION



SIZE	INLET X OUTLET CONNECTIONS / OPTIONS	LEAD-FREE EXEMPT PART NUMBER
2" HBM		
2"	2-1/2" Swivel FNH X 2-1/2" MNH, GPM Meter	2-975XLHBM
2"	2-1/2" Swivel FNH X 2-1/2" MNH, CFM Meter	2-975XLHBMCFM
2"	2-1/2" Swivel FNH X 2-1/2" MNH, Cubic Meter Register	2-975XLHBMCM
2"	2-1/2" Swivel FNH X 2-1/2" MNH, Less Meter	2-975XLHBMML
2"	2-1/2" FNPT x 2" MNPT, GPM Meter, Less Hose Connections	2-975XLHBMML
2"	2-1/2" FNPT x 2" MNPT, CFM Meter, Less Hose Connections	2-975XLHBMCFML
2"	2-1/2" FNPT x 2" MNPT, Cubic Meter Register, Less Hose Connections	2-975XLHBMCMML
2"	2" MNPT x 2" MNPT, Less Hose Connections, Less Meter	2-975XLHBMML
3" RPHBM		
3"	2-1/2" Swivel FNH X 2-1/2" MNH, GPM Meter	3-RPHBM
3"	2-1/2" Swivel FNH X 2-1/2" MNH, CFM Meter	3-RPHBMCFM
3"	2-1/2" Swivel FNH X 2-1/2" MNH, GPM Meter, NRS Outlet Gate Valve	3-RPHBMGV
3"	2-1/2" Swivel FNH X 2-1/2" MNH, CFM Meter, NRS Outlet Gate Valve	3-RPHBMCFMGV
HBM ACCESSORIES		
2"	HBM Adjustable Support Stand, For 2" 975XLHBM	HBM-55
3"	HBM Adjustable Support Stand, For 3" RPHBM	HBM-55A
	Breakaway Hydrant Lock for Padlock (Lock Not Included)	HBM-BHLP
	Breakaway Hydrant Lock for Barrel Lock (Lock Not Included)	HBM-BHLB

375ASTDA SERIES – REDUCED PRESSURE PRINCIPLE DETECTOR ASSEMBLY WITH STAINLESS STEEL BODY



APPLICATIONS

Fire protection Reduced Pressure Principal Assembly constructed around a corrosion resistant, stainless steel body. Used in high health hazard applications.

FEATURES

- 2-1/2" - 10"
- 175 psi max
- 140°F max
- Grooved or flanged end connections
- Improved Compound Check design
- Lower maintenance costs from corrosion resistance of stainless body

APPROVALS AND APPLICABLE SPECIFICATIONS

- Approved by the Foundation for Cross Connection Control and Hydraulic Research at the University of Southern California
- ASSE® Listed 1047, AWWA Compliant C550, UL® Classified, C-UL® Classified, FM® Approved, CSA® Certified
- Certified to NSF/ANSI 61 and 372

ACCESSORIES

- Air gap (Model AG)
- OS&Y gate valve tamper switch (OSY-40)
- Available with CFM water meter (5/8" x 3/4")
- Repair kits

TYPICAL INSTALLATION

See next page

SIZE	LEAD-FREE PART NUMBER
375ASTDA: FLANGED OSY X FLANGED OSY	
2-1/2"	212-375ASTDA
3"	3-375ASTDA
4"	4-375ASTDA
6"	6-375ASTDA
8"	8-375ASTDA
10"	10-375ASTDA

For grooved options, part number will be designated using "GF", "FG" or "G" (e.g. 212-375ASTDAFG, 4-375ASTDAFG, 10-375ASTDAFG).

SIZE	LEAD-FREE PART NUMBER
375ASTDAPI: FLANGED PI X FLANGED PI	
2-1/2"	212-375ASTDAPI
3"	3-375ASTDAPI
4"	4-375ASTDAPI
6"	6-375ASTDAPI
8"	8-375ASTDAPI
10"	10-375ASTDAPI

For grooved options, part number will be designated using "GF", "FG" or "G" (e.g. 212-375ASTDAPIFG, 4-375ASTDAPIFG, 10-375ASTDAPIFG).

SIZE	LEAD-FREE PART NUMBER
375ASTDABG: GROOVED BG X GROOVED BG (TAMPERS BUTTERFLY VALVES)	
2-1/2"	212-375ASTDABG
3"	3-375ASTDABG
4"	4-375ASTDABG
6"	6-375ASTDABG
8"	8-375ASTDABG
10"	10-375ASTDABG

SIZE	LEAD-FREE PART NUMBER
375ASTDABF: FLANGED BF X FLANGED BF (TAMPERS BUTTERFLY VALVES)	
2-1/2"	212-375ASTDABF
3"	3-375ASTDABF
4"	4-375ASTDABF
6"	6-375ASTDABF
8"	8-375ASTDABF
10"	10-375ASTDABF

SIZE	LEAD-FREE PART NUMBER
375ASTDA WITH OSY AND PI SHUT-OFF VALVE COMBINATIONS	
2-1/2" - 10"	OSY & PI GATE VALVES

For grooved options, part number will be designated using "GF", "FG" or "G" (e.g. 212-375ASTDAPIOSYFG, 4-375ASTDAOSYPIGF, 10-375ASTDAOSYPIG).

OPTIONS AND LIST PRICE ADDERS (ADD OPTION TO LIST PRICE TO DETERMINE TOTAL LIST PRICE)

CUBIC FEET METER (CFM) OPTION

2-1/2" - 10" CFM Suffix

Part number will be designated using "CFM" (e.g. 212-375ASTDA CFM, 4-375ASTDA CFM FG, 10-375ASTDA CFM OSYPIG).

LESS METER (LM) OPTION

2-1/2" - 10" LM Suffix

Part number will be designated using "LM" (e.g. 212-375ASTDALM, 4-375ASTDALM FG, 10-375ASTDALM OSYPIG).

AIR GAP (-AG) OPTION

2-1/2" - 6" AG Option, Iron Air Gap (AG-6)

8" - 10" AG Option, Iron Air Gap (AG-7)

Part number will be designated using "-AG" (e.g. 212-375ASTDA-AG, 4-375ASTDALM FG-AG, 10-375ASTDAOSYPIG-AG).

FSC STRAINER (FSC) OPTION WITH BOLT KIT, FLANGED X FLANGED CONNECTION

2-1/2" - 10" FSC Suffix

Part number will be designated using "FSC" (e.g. 212-375ASTDA FSC, 4-375ASTDA FSC, 10-375ASTDAOSYPI FSC).

300AR SERIES - REPLACEMENT BACKFLOW ASSEMBLY (2-1/2" - 10")

Custom Length Double Check Valve Assembly for drop in replacements. Stainless Steel Grooved x Grooved Nipple Installed Between the Backflow Valve and the Outlet Shut-Off Valve. Can be used with grooved backflow models. For replacement of longer lay-length backflow preventers.

375ASTDAR list price adder to be added to list price of the 375ASTDA to determine total list price.

See order form and product specification sheet on the website for details and options.

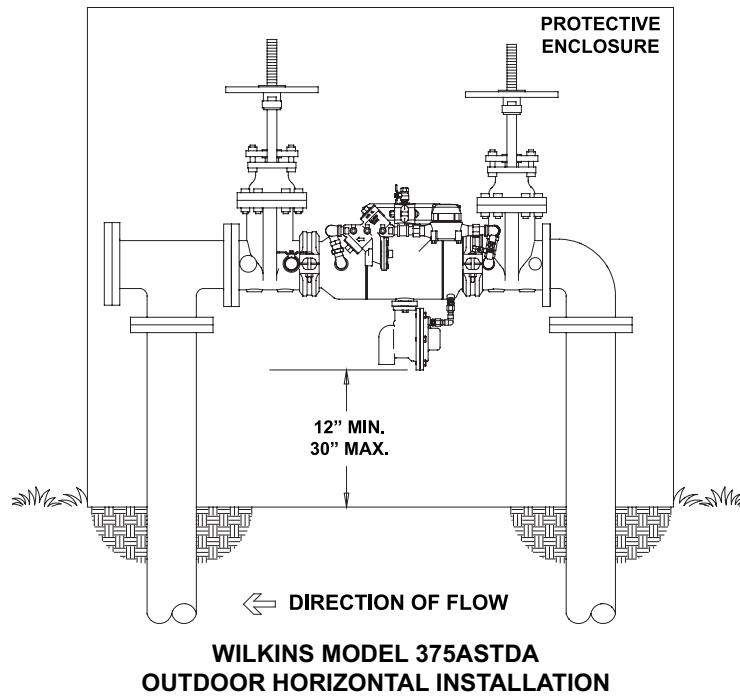
SIZE INLET X OUTLET CONNECTIONS / OPTIONS

SIZE	INLET X OUTLET CONNECTIONS / OPTIONS
2-1/2"	Length Range: Up to 47-1/8"
3"	Length Range: Up to 48-1/8"
4"	Length Range: Up to 62-1/4"
6"	Length Range: Up to 71-1/4"
8"	Length Range: Up to 86"
10"	Length Range: Up to 100-5/8"

Part number will be designated using "375ASTDAR-A".

375ASTDA SERIES – REDUCED PRESSURE DETECTOR ASSEMBLY WITH STAINLESS STEEL BODY

TYPICAL INSTALLATION



BACKFLOW
PREVENTERS

BACKFLOW PREVENTERS
ACCESSORIES

STRAINERS

AUTOMATIC
CONTROL VALVES

PRESSURE
REDUCING VALVES

FIRE
PROTECTION VALVES

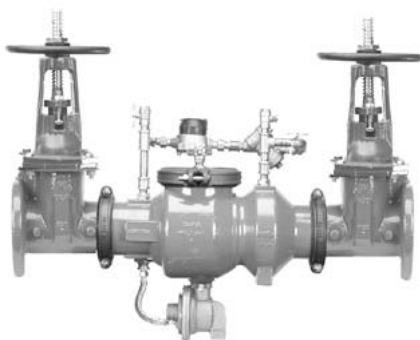
THERMOSTATIC
MIXING VALVES

RELIEF VALVES

MISCELLANEOUS
PLUMBING PRODUCTS

REPAIR KITS

375ADA/375DA SERIES – REDUCED PRESSURE PRINCIPLE DETECTOR ASSEMBLY



APPLICATIONS

Ideal for fire protection applications. Epoxy coated, ductile iron Wilkins 375ADA Reduced Pressure Principal Valve Assembly with integral by-pass consisting of a water meter in series with a Reduced Pressure Principal backflow preventer.

FEATURES

- 2-1/2" - 10"
- 175 psi max
- 140°F max
- Resilient wedge OS&Y gate valves standard
- Epoxy-coated ductile iron body
- Modular, Center-Stem Guided Compound Checks

APPROVALS AND APPLICABLE SPECIFICATIONS

- Approved by the Foundation for Cross-Connection Control and Hydraulic Research at the University of Southern California
- ASSE Listed 1047 375DA, UL Classified, FM Approved, C-UL Classified
- Certified to NSF/ANSI 61 and 372

ACCESSORIES

- Air gap (Model AG)
- OS&Y gate valve supervisory switch (OSY-40)
- Available with CFM water meter (5/8" x 3/4")
- Repair kits

TYPICAL INSTALLATION

See next page

SIZE	LEAD-FREE PART NUMBER
375ADA: FLANGED OSY X FLANGED OSY	
2-1/2"	212-375ADA
3"	3-375ADA
4"	4-375ADA
6"	6-375ADA
8"	8-375ADA
10"	10-375ADA

For grooved options, part number will be designated using "GF", "FG" or "G" (e.g. 212-375ADAFG, 4-375ADAGF, 10-375ADAG).

SIZE	LEAD-FREE PART NUMBER
375ADAPI: FLANGED PI X FLANGED PI	
2-1/2"	212-375ADAPI
3"	3-375ADAPI
4"	4-375ADAPI
6"	6-375ADAPI
8"	8-375ADAPI
10"	10-375ADAPI

For grooved options, part number will be designated using "GF", "FG" or "G" (e.g. 212-375ADAPIFG, 4-375ADAPIGF, 10-375ADAPIG).

SIZE	LEAD-FREE PART NUMBER
375ADABG: GROOVED BG X GROOVED BG (TAMPERS BUTTERFLY VALVES)	
2-1/2"	212-375ADABG
3"	3-375ADABG
4"	4-375ADABG
6"	6-375ADABG
8"	8-375ADABG
10"	10-375ADABG

SIZE	LEAD-FREE PART NUMBER
375ADABF: FLANGED BF X FLANGED BF	
2-1/2"	212-375ADABF
3"	3-375ADABF
4"	4-375ADABF
6"	6-375ADABF
8"	8-375ADABF
10"	10-375ADABF

SIZE	LEAD-FREE PART NUMBER
375ADA WITH OSY AND PI SHUT-OFF VALVE COMBINATIONS	
2-1/2" - 10"	OSY & PI GATE VALVES

For grooved options, part number will be designated using "GF", "FG" or "G" (e.g. 212-375ADAPIOSYFG, 4-375ADAOSYPIGF, 10-375ADAOSYPIG).

OPTIONS AND LIST PRICE ADDERS (ADD OPTION TO LIST PRICE TO DETERMINE TOTAL LIST PRICE)

300AR SERIES - REPLACEMENT BACKFLOW ASSEMBLY (2-1/2" - 10")

Custom Length Double Check Valve Assembly for drop in replacements. Stainless Steel Grooved x Grooved Nipple Installed Between the Backflow Valve and the Outlet Shut-Off Valve. Can be used with grooved backflow models. For replacement of longer lay-length backflow preventers.

375ADAR list price adder to be added to list price of the 375ADA to determine total list price.

See order form and product specification sheet on the website for details and options.

SIZE	INLET X OUTLET CONNECTIONS / OPTIONS
2-1/2"	Length Range: Up to 47-1/8"
3"	Length Range: Up to 48-1/8"
4"	Length Range: Up to 62-1/4"
6"	Length Range: Up to 71-1/4"
8"	Length Range: Up to 86"
10"	Length Range: Up to 100-5/8"

Part number will be designated using "375ADAR-A".

375ADA/375DA SERIES – REDUCED PRESSURE PRINCIPLE DETECTOR ASSEMBLY (CONTINUED)

SIZE	LEAD-FREE PART NUMBER
------	-----------------------

375DA: FLANGED OSY X FLANGED OSY	
2"	2-375DA
2-1/2"	212-375DA
3"	3-375DA
4"	4-375DA
6"	6-375DA
8"	8-375DA
10"	10-375DA

For grooved options, part number will be designated using "GF", "FG" or "G" (e.g. 212-375DAFG, 4-375DAGF, 10-375DAG).

375DAPI: FLANGED PI X FLANGED PI	
2"	2-375DAPI
2-1/2"	212-375DAPI
3"	3-375DAPI
4"	4-375DAPI
6"	6-375DAPI
8"	8-375DAPI
10"	10-375DAPI

For grooved options, part number will be designated using "GF", "FG" or "G" (e.g. 212-375DAPIFG, 4-375DAPIGF, 10-375DAPIG).

375DA WITH OSY AND PI SHUT-OFF VALVE COMBINATIONS	
2-1/2" - 10"	OSY & PI GATE VALVES

For grooved options, part number will be designated using "GF", "FG" or "G" (e.g. 212-375DAPIOSYFG, 4-375DAOSYPIGF, 10-375DAOSYPIG).

OPTIONS AND LIST PRICE ADDERS (ADD OPTION TO LIST PRICE TO DETERMINE TOTAL LIST PRICE)

CUBIC FEET METER (CFM) OPTION

2" - 10" CFM Suffix
Part number will be designated using "CFM" (e.g. 212-375DACFM, 4-375DACFMFG, 10-375DACFMOSYPIG).

LESS METER (LM) OPTION

2" - 10" LM Suffix
Part number will be designated using "LM" (e.g. 212-375DALM, 4-375DALMFG, 10-375DALMOSYPIG).

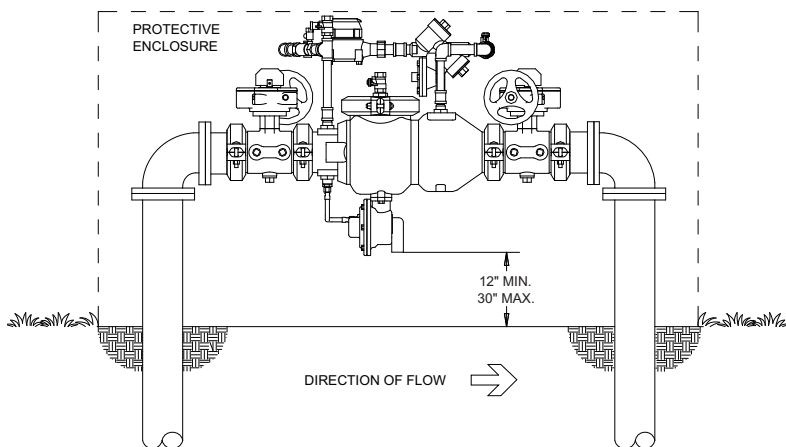
AIR GAP (-AG) OPTION

2" - 6" AG Option, Iron Air Gap (AG-6)
8" - 10" AG Option, Iron Air Gap (AG-7)
Part number will be designated using "-AG" (e.g. 212-375DA-AG, 4-375DALMFG-AG, 10-375DAOSYPIG-AG).

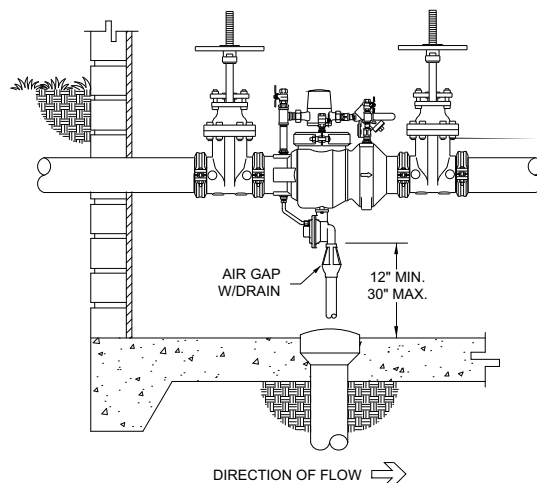
FSC STRAINER (FSC) OPTION WITH BOLT KIT, FLANGED X FLANGED CONNECTION

2-1/2" - 10" FSC Suffix
Part number will be designated using "FSC" (e.g. 212-375DAFSC, 4-375DAFSC, 10-375PIFSC). Lead-Free Law Compliant.

TYPICAL INSTALLATION



**OUTDOOR INSTALLATION
(MODEL 375ADABG)**



**INDOOR INSTALLATION
(MODEL 375ADAG)**

475STDA/475STDAV SERIES – REDUCED PRESSURE PRINCIPLE DETECTOR ASSEMBLY WITH STAINLESS STEEL BODY



SIZE	LEAD-FREE PART NUMBER
475STDA: FLANGED OSY X FLANGED OSY	
4"	4-475STDA
6"	6-475STDA
8"	8-475STDA
10"	10-475STDA
475STDAV: FLANGED OSY X FLANGED OSY	
4"	4-475STDAV
6"	6-475STDAV
8"	8-475STDAV
10"	10-475STDAV
475STDAR: FLANGED OSY X FLANGED OSY REPLACEMENT BACKFLOW	
4"	4-475STDAR
6"	6-475STDAR
8"	8-475STDAR
10"	10-475STDAR
475STDARV: FLANGED OSY X FLANGED OSY REPLACEMENT BACKFLOW	
4"	4-475STDARV
6"	6-475STDARV
8"	8-475STDARV
10"	10-475STDARV

APPLICATIONS

Designed for drop in replacement of competitor valves and new installation on water lines in fire protection systems to protect against both backsiphonage and backpressure of contaminated water into the potable water supply. The Model 475STDA shall provide protection in a high hazard health application. The configuration 475STDAV is for applications requiring vertical flow up. Incorporates metered by-pass to detect leaks and unauthorized water use.

FEATURES

- 4" - 10"
- 175 psi max
- 140°F max
- n-Pattern space saving design
- Available in up/down (475STDA) or up/up (475STDAV) configuration
- Stainless steel body
- Direct drop in replacement of competitor valves
- The by-pass assembly consists of a water meter in series with a reduced pressure principle backflow preventer

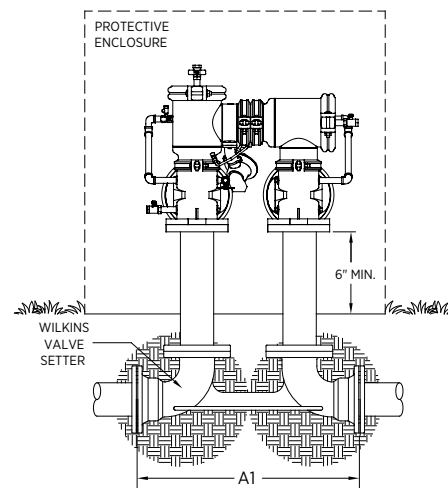
APPROVALS AND APPLICABLE SPECIFICATIONS

- Approved by the Foundation for Cross-Connection Control and Hydraulic Research at the University of Southern California
- ASSE® Listed 1013, UL® Classified, FM® Approved, UL® Classified, CSA® Certified, AWWA Compliant C511 (with gates only), and C550
- Certified to NSF/ANSI 61

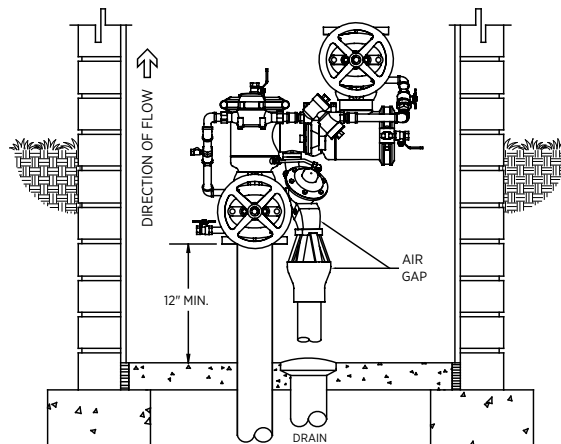
ACCESSORIES

- Air gap (Model AG)
- Valve setter (Model FLSST or MJSST or MJSST)
- OS&Y gate valve supervisory switch (OSY-40)
- Repair kits
- 4" to 3" adaptor (RFK4X3-400ST)

TYPICAL INSTALLATION



OUTDOOR INSTALLATION



VERTICAL INSTALLATION

475DA/475DAV SERIES – REDUCED PRESSURE PRINCIPLE DETECTOR ASSEMBLY



APPLICATIONS

Reduced Pressure Detector Assembly for high hazard fire protection system applications. Small footprint and vertical flow for new or retrofit installations with the Wilkins 475DA and 475DAV.

FEATURES

- 4" - 10"
- 175 psi max
- 140°F max
- Available in up/down (475DA) or up/up (475DAV) configuration
- The by-pass assembly consists of a water meter in series with a reduced pressure principle backflow preventer
- Epoxy coated ductile iron body
- Modular, Center-Stem Guided Compound Checks

APPROVALS AND APPLICABLE SPECIFICATIONS

- Approved by the Foundation for Cross-Connection Control and Hydraulic Research at the University of Southern California (sizes 4" – 8")
- UL® Classified, C-UL® Classified, AWWA Compliant
- ASSE® Listed 1047 (4" – 8)
- FM approved (4" – 8")
- Certified to NSF/ANSI 61 and 372

ACCESSORIES

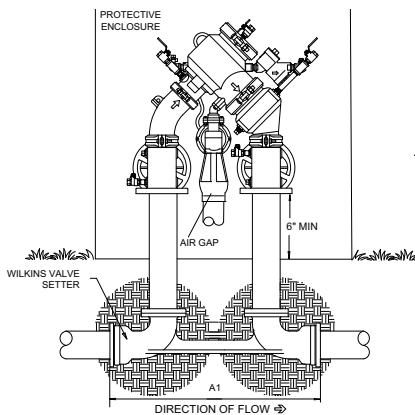
- Air gap (Model AG)
- Valve setter (Model FLS or MJS or MJFS)
- OS&Y gate valve supervisory switch (OSY-40)
- Available with CFM water meter (5/8" x 3/4")
- Repair kits

SIZE	LEAD-FREE PART NUMBER
475DAV: FLANGED OSY X FLANGED OSY	
4"	4-475DAV
6"	6-475DAV
8"	8-475DAV
10"	10-475DAV
<i>For grooved options, part number will be designated using "GF", "FG" or "G" (e.g. 4-475DAVFG, 6-475DAVGF, 10-475DAVG).</i>	
475DAVPI: FLANGED PI X FLANGED PI	
4"	4-475DAVPI
6"	6-475DAVPI
8"	8-475DAVPI
10"	10-475DAVPI
<i>For grooved options, part number will be designated using "GF", "FG" or "G" (e.g. 4-475DAVPIFG, 6-475DAVPIGF, 10-475DAVPIG).</i>	

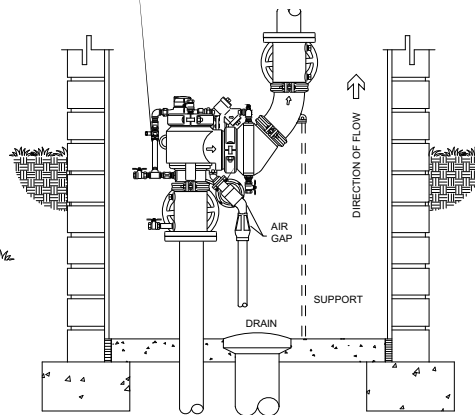
SIZE	LEAD-FREE PART NUMBER
475DA: FLANGED OSY X FLANGED OSY	
4"	4-475DA
6"	6-475DA
8"	8-475DA
10"	10-475DA
<i>For grooved options, part number will be designated using "GF", "FG" or "G" (e.g. 4-475DAFG, 6-475DAGF, 10-475DAG).</i>	
475DAPI: FLANGED PI X FLANGED PI	
4"	4-475DAPI
6"	6-475DAPI
8"	8-475DAPI
10"	10-475DAPI
<i>For grooved options, part number will be designated using "GF", "FG" or "G" (e.g. 4-475DAPIFG, 6-475DAPIGF, 10-475DAPIG).</i>	
475DABG: GROOVED BG X GROOVED BG (TAMPURED BUTTERFLY VALVES)	
4"	4-475DABG
6"	6-475DABG
8"	8-475DABG
10"	10-475DABG
475DABF: FLANGED BF X FLANGED BF (TAMPURED BUTTERFLY VALVES)	
4"	4-475DABF
6"	6-475DABF
8"	8-475DABF

SIZE	LEAD-FREE PART NUMBER
10"	10-475DABF
475DA WITH OSY AND PI SHUT-OFF VALVE COMBINATIONS	
4" - 10"	OSY & PI GATE VALVES
<i>For grooved options, part number will be designated using "GF", "FG" or "G" (e.g. 4-475DAPIOSYFG, 6-475DAOSYPIGF, 10-475DAOSYPIG).</i>	
475DAL: GROOVED X GROOVED, LESS SHUT-OFF VALVES	
4"	4-475DAL
6"	6-475DAL
8"	8-475DAL
10"	10-475DAL
<i>Part number will be designated using "L" (e.g. 4-475DAL, 6-475DALCFM).</i>	

TYPICAL INSTALLATION



OUTDOOR INSTALLATION (MODEL 475DA)



VERTICAL INSTALLATION (MODEL 475DAV)

SIZE	LEAD-FREE PART NUMBER
475DAVBG: GROOVED BG X GROOVED BG (TAMPURED BUTTERFLY VALVES)	
4"	4-475DAVBG
6"	6-475DAVBG
8"	8-475DAVBG
10"	10-475DAVBG
475DAVBF: FLANGED BF X FLANGED BF (TAMPURED BUTTERFLY VALVES)	
4"	4-475DAVBF
6"	6-475DAVBF
8"	8-475DAVBF
10"	10-475DAVBF
475DAV WITH OSY AND PI SHUT-OFF VALVE COMBINATIONS	
4" - 10"	OSY & PI GATE VALVES
<i>For grooved options, part number will be designated using "GF", "FG" or "G" (e.g. 4-475DAVPIOSYFG, 6-475DAVOSYPIGF, 10-475DAVOSYPIG).</i>	

OPTIONS AND LIST PRICE ADDERS (ADD OPTION TO LIST PRICE TO DETERMINE TOTAL LIST PRICE)	
CUBIC FEET METER (CFM) OPTION	
4" - 10"	CFM Suffix
<i>Part number will be designated using "CFM" (e.g. 4-475DAVCFM, 6-475DAVCFMFG, 10-475DAVCFMOSYPIG).</i>	
LESS METER (LM) OPTION	
4" - 10"	LM Suffix
<i>Part number will be designated using "LM" (e.g. 4-475DAVLM, 6-475DAVLMFG, 10-475DAVLMOSYPIG).</i>	
AIR GAP (-AG) OPTION	
4" - 6"	AG Option, Iron Air Gap (AG-9)
8" - 10"	AG Option, Iron Air Gap (AG-10)
<i>Part number will be designated with the "-AG" (e.g. 4-475DAV-AG, 6-475DAVLMFG-AG, 10-475DAVOSYPIG-AG).</i>	

For additional product information, please visit www.zurn.com.

BACKFLOW PREVENTERS
ACCESSORIES
STRAINERS
AUTOMATIC CONTROL VALVES
PRESSURE REDUCING VALVES
FIRE PROTECTION VALVES
THERMOSTATIC MIXING VALVES
RELIEF VALVES
MISCELLANEOUS PLUMBING PRODUCTS
REPAIR KITS

310/310DA SERIES – SINGLE CHECK VALVE ASSEMBLY



SIZE	LEAD-FREE EXEMPT PART NUMBER
310: FLANGED X FLANGED	
4"	4-310
6"	6-310
8"	8-310

SIZE	LEAD-FREE PART NUMBER
310DA: FLANGED X FLANGED, GPM METER	
4"	4-310DA
6"	6-310DA
8"	8-310DA

310DAOSY: FLANGED X FLANGED, GPM METER, OS & Y GATE VALVES	
4"	4-310DAOSY
6"	6-310DAOSY
8"	8-310DAOSY

For grooved options, part number will be designated using "GF", "FG" or "G" (e.g. 4-310SYFG, 6-310SYGF, 8-310SYG).

Other OS&Y Connection Options - Grooved x Flanged (GF), Flanged x Grooved (FG)

OPTIONS AND LIST PRICE ADDERS
(ADD OPTION TO LIST PRICE TO DETERMINE TOTAL LIST PRICE)

CUBIC FEET METER (CFM) OPTION

4" - 8" CFM Suffix

Part number will be designated using "CFM" (e.g. 4-310DACFM, 6-310DACFM, 8-310DACFMOSY).

LESS METER (LM) OPTION

4" - 8" LM Suffix

Part number will be designated using "LM" (e.g. 4-310DALM, 6-310DALMFG, 8-310DALMOSY).

APPLICATIONS

Designed for use in water systems to prevent the reverse flow of non-hazardous substances into the remainder of the system. Used to protect upstream equipment, not adequate for low or high hazard backflow prevention.

FEATURES

- 4" - 8"
- 175 psi max
- 140°F max
- Available as a 310DA, with detector assembly for fire protection
- Epoxy-coated ductile iron body
- Modular, Center-Stem Guided Compound Checks

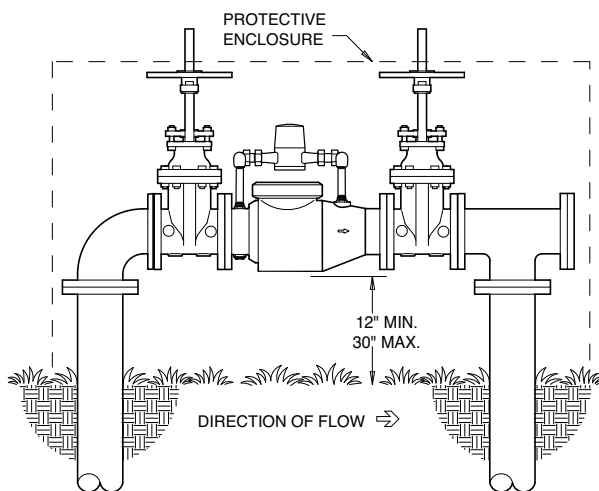
APPROVALS AND APPLICABLE SPECIFICATIONS

- FM® Approved, UL® Listed & C-UL® Listed (4" & 6")
- Certified to NSF/ANSI 372 (4", 6" & 8")

TYPICAL INSTALLATION

Check with local water authority for installation requirements

TYPICAL INSTALLATION



**OUTDOOR INSTALLATION
(310DAOSY)**

420XL SERIES – PRESSURE VACUUM BREAKER



APPLICATIONS

The freeze resistant 420XL is a cartridge loaded Pressure Vacuum Breaker that is perfect for residential irrigations and plumbing systems. The 420XL is Lead-Free Law compliant.

FEATURES

- 3/4", 1"
- 175 psi max
- 140°F max
- Integral relief valve reduces the risk of valve damage under non-seasonal freezing conditions
- Thermoplastic modular cartridge design
- All bronze body and corrosion-resistant internal parts

APPROVALS AND APPLICABLE SPECIFICATIONS

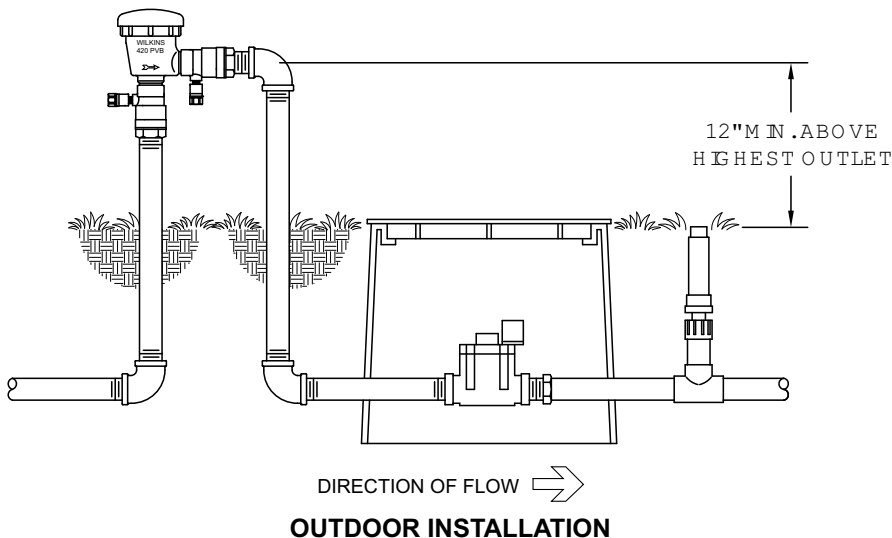
- Approved by the Foundation for Cross-Connection Control and Hydraulic Research at the University of Southern California
- ASSE® Listed 1020, cUPC® Listed, CSA® Certified
- Certified to NSF/ANSI 372

ACCESSORIES

- Water hammer arrester (Model 1260XL)
- Repair kit

SIZE	LEAD-FREE PART NUMBER
420XL: FNPT X FNPT	
3/4"	34-420XL
1"	1-420XL
OPTIONS AND LIST PRICE ADDERS (ADD OPTION TO LIST PRICE TO DETERMINE TOTAL LIST PRICE)	
FAST-TEST TEST COCKS (FT) OPTION (E.G. 1-420XLFT)	
3/4" - 1"	FT Suffix

TYPICAL INSTALLATION



460XL SERIES – SPILL RESISTANT PRESSURE VACUUM BREAKER



APPLICATIONS

The 460XL spill resistant Vacuum Breaker is perfect for indoor applications due to its "spill resistant" feature. Used in high hazard backsiphonage applications.

FEATURES

- 3/8" - 1"
- 150 psi max
- 180°F max
- Spill resistant feature for indoor use
- Easy maintenance - bonnet & seat removal tool built into canopy
- Replaceable modular thermoplastic cartridge

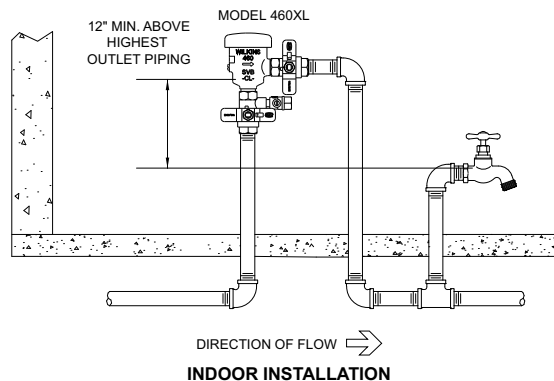
APPROVALS AND APPLICABLE SPECIFICATIONS

- Approved by the Foundation for Cross-Connection Control and Hydraulic Research at the University of Southern California
- ASSE® Listed 1056, cUPC® Listed, CSA®
- Certified to NSF/ANSI 61 and 372

ACCESSORIES

- Water hammer arrester (Model 1260XL)
- Repair kit

TYPICAL INSTALLATION



710 SERIES – PRESSURE VACUUM BREAKER



SIZE	LEAD-FREE EXEMPT PART NUMBER
710: FNPT X FNPT	
3/4"	34-710
1"	1-710

APPLICATIONS

This Pressure Vacuum Breaker Assembly protects against backsiphonage and is a low-maintenance, cost effective solution for high-hazard irrigation applications – commercial or residential.

FEATURES

- 3/4", 1"
- 150 psi max
- 140°F max
- Bronze body
- Lead-free exempt for non-potable applications only

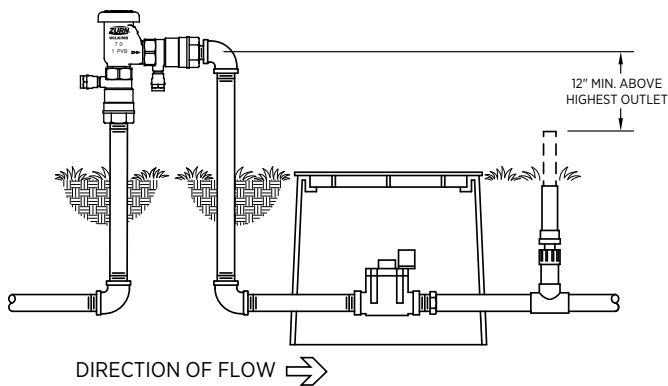
APPROVALS AND APPLICABLE SPECIFICATIONS

- Approved by the Foundation for Cross-Connection Control and Hydraulic Research at the University of Southern California
- ASSE® Listed 1020, cUPC® Listed, CSA® Certified

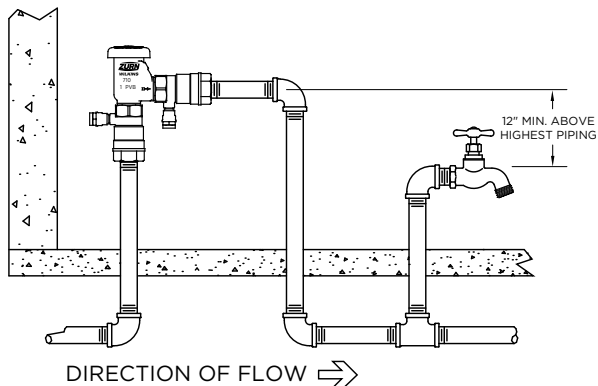
ACCESSORIES

- Water Hammer Arrestor (Model 1260XL)
- Freeze Relief Valve (Model ZWFR)
- QT-SET Quick Test Fitting Set
- Repair kits

TYPICAL INSTALLATION



OUTDOOR INSTALLATION



INDOOR INSTALLATION

720A SERIES – PRESSURE VACUUM BREAKER



APPLICATIONS

This time tested Pressure Vacuum Breaker will give years of unparalleled service in high hazard backsiphonage conditions.

FEATURES

- 1/2" - 2"
- 150 psi max
- 110°F max
- Bronze body & bonnet
- Lead-free exempt for non-potable applications only

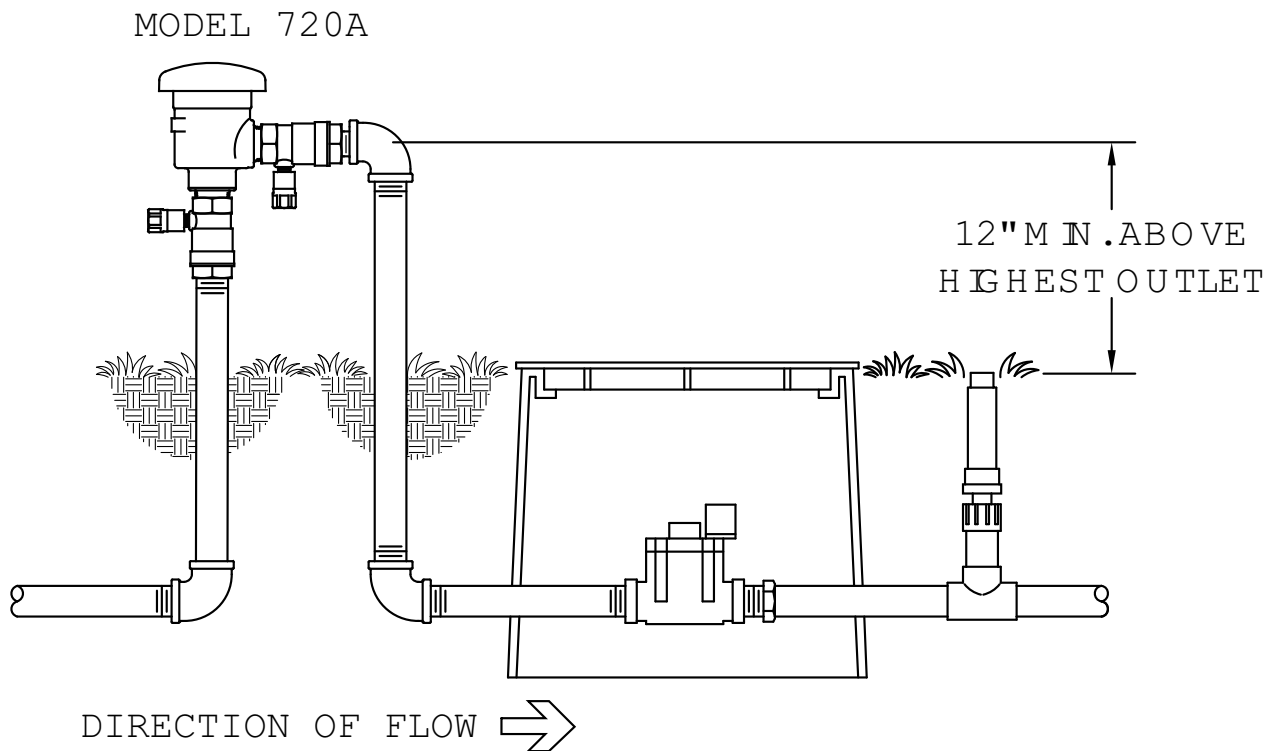
APPROVALS AND APPLICABLE SPECIFICATIONS

- Approved by the Foundation for Cross-Connection Control and Hydraulic Research at the University of Southern California
- ASSE® Listed 1020, cUPC® Listed, CSA® Certified

ACCESSORIES

- Water Hammer Arrester (Model 1260XL)
- Freeze Relief Valve (Model ZWFR)
- Repair kits

TYPICAL INSTALLATION



SIZE	LEAD-FREE EXEMPT PART NUMBER
720A: FNPT X FNPT	
1/2"	12-720A
3/4"	34-720A
1"	1-720A
1-1/4"	114-720A
1-1/2"	112-720A
2"	2-720A
720AU: FNPT X FNPT, UNION BALL VALVES (ASSE LISTED ONLY)	
3/4"	34-720AU
1"	1-720AU
OPTIONS AND LIST PRICE ADDERS (ADD OPTION TO LIST PRICE TO DETERMINE TOTAL LIST PRICE)	
FAST-TEST TEST COCKS (FT) OPTIONS (E.G. 34-720AFT, 2-720AFT), 1/2" THROUGH 1" USC APPROVED	
1/2" - 2"	FT Suffix
<i>Part number will be designated using "FT" (e.g. 34-720AFT, 2-720AFT).</i>	

700XL SERIES – DUAL CHECK VALVE



APPLICATIONS

The 700XL Dual Check Valve is available in many end configurations for easy installation on any low hazard piping system.

FEATURES

- 1/4" - 1"
- 175 psi max
- 180°F max
- Bronze body construction
- Single union standard on inlet of all models
- May be installed vertically or horizontally

APPROVALS AND APPLICABLE SPECIFICATIONS

- ASSE® Listed 1024, CSA® Certified
- Certified to NSF/ANSI 61 and 372

ACCESSORIES

- Thermal expansion tank (Model XT)
- Shut-off valve with integral thermal expansion relief valve (Model BVECXL)

KEY

U	=	Indicates location of "union" connection
FNPT	=	Female National Pipe Tapered Thread
MNPT	=	Male National Pipe Tapered Thread
FC	=	Female Copper Sweat
FMTC	=	Female Meter Thread Connection (National Hose Strait Thread)
MMTC	=	Male Meter Thread Connection (National Hose Straight Thread)

SIZE	LEAD-FREE PART NUMBER	LEAD-FREE EXEMPT PART NUMBER
700XL/700: UNION FNPT X FNPT		
1/4"	14UFX14F-700XL	-
3/8"	38UFX38F-700XL	-
1/2"	12UFX12F-700XL	-
3/4"	34UFX34F-700XL	34UFX34F-700
1"	1UFX1F-700XL	1UFX1F-700

SIZE	LEAD-FREE PART NUMBER
700XL: MNPT X UNION FNPT	
3/4"	34MX34UF-700XL
1"	1MX1UF-700XL
700XL: UNION FEMALE METER X FNPT	
3/4"	34UFMX34F-700XL
1" x 3/4"	1UFMX34F-700XL
1"	1UFMX1F-700XL
700XL: UNION FEMALE METER X MNPT	
3/4"	34UFMX34M-700XL
3/4" x 1"	34UFMX1M-700XL
1" x 3/4"	1UFMX34M-700XL
1"	1UFMX1M-700XL
700XL: UNION FEMALE METER X UNION FNPT	
1" x 3/4"	1UFMX34UF-700XL
1"	1UFMX1UF-700XL
1-1/4"	114UFMX1UF-700XL
700XL: UNION FEMALE METER X MALE METER	
3/4"	34UFMX34MM-700XL
3/4" x 1"	34UFMX1MM-700XL
1" x 3/4"	1UFMX34UMM-700XL
1"	1UFMX1MM-700XL

700XLF SERIES – DUAL CHECK VALVE

SIZE	LEAD-FREE PART NUMBER
700XLF: DUAL CHECK VALVE, UNION FNPT X FNPT	
1"	1UFX1F-700XLFP
1-1/4"	114UFX114F-700XLFP
1-1/2"	112UFX112F-700XLFP
700XLF: DUAL CHECK VALVE, UNION FEMALE METER X FNPT	
1-1/4" x 1"	114UFMX1F-700XLFP
1-1/4"	114UFMX114F-700XLFP
700XLF: DUAL CHECK VALVE, UNION FEMALE CU SWT X FNPT	
1-1/2"	112UFCX112F-700XLFP

705 SERIES – DUAL CHECK VALVE



SIZE	LEAD-FREE PART NUMBER
705: FNPT X UNION FNPT	
3/4"	34FX34UF-705
1"	1FX1UF-705
705: UNION FNPT X FNPT	
3/4"	34UFX34F-705
1"	1UFX1F-705
705: UNION MNPT X FNPT	
1"	1UMX1F-705

SIZE	LEAD-FREE PART NUMBER
705: UNION FEMALE CU SWT X FNPT	
3/4"	34UFCX34F-705
705: UNION FEMALE METER X FNPT	
1" x 3/4"	1UFMX34F-705
1"	1UFMX1F-705

APPLICATIONS

A composite version of the 700XL dual check for low hazard water systems.

FEATURES

- 3/4", 1"
- 175 psi max
- 180°F max
- Single union standard on inlet of all models
- May be installed vertically or horizontally

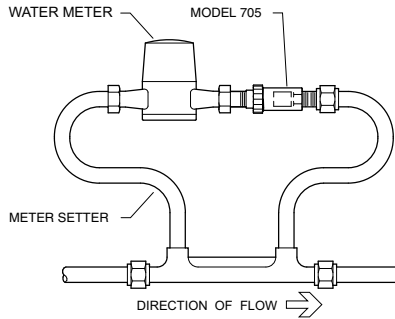
APPROVALS AND APPLICABLE SPECIFICATIONS

- ASSE® Listed 1024, CSA® Certified
- Certified to NSF/ANSI 61 and 372

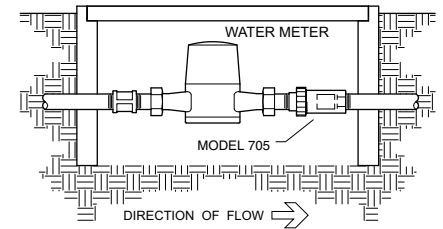
ACCESSORIES

- Thermal expansion tank (Model XT)

TYPICAL INSTALLATION



METER SETTER INSTALLATION



PIT INSTALLATION

730/735 SERIES – LABORATORY FAUCET VACUUM BREAKER



SIZE	LEAD-FREE PART NUMBER
730: FNPT X FNPT, POLISHED CHROME	
3/8"	38-730
730FM: FNPT X MALE NPT, POLISHED CHROME	
3/8"	38-730FM
735: FNPT X FNPT, BRASS	
3/8"	38-735
735CH: FNPT X FNPT, CHROME	
3/8"	38-735CH

APPLICATIONS

The Wilkins 730 and 735 are intended to be used on laboratory service sinks where high hazard backflow could occur due to backsiphonage.

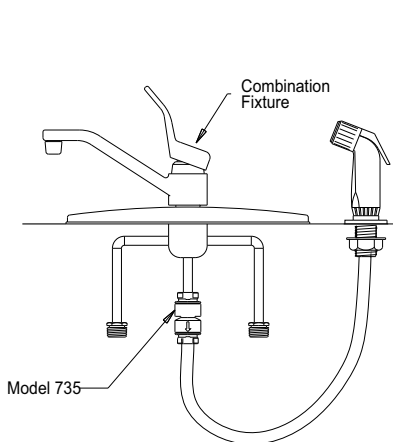
FEATURES

- Model 730: 3/8" [non-continuous pressure applications]
- Model 735: 3/8" [continuous pressure applications]
- 150 psi max
- 180°F max
- Main valve body brass ASTM B 16; polished chrome finish (Model 730)

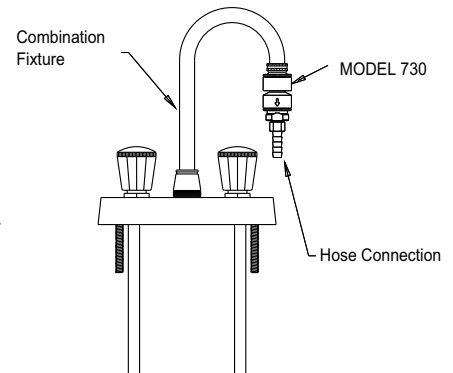
APPROVALS AND APPLICABLE SPECIFICATIONS

- Model 730 - ASSE® Listed 1035, CSA® Certified B64.7, cUPC® Listed
- Model 735 - CSA® Certified B64.8
- Certified to NSF/ANSI 372

TYPICAL INSTALLATION



In-line continuous use
(see above for approvals)



Faucet hose connection

740 SERIES – BACKFLOW PREVENTER FOR VENDING MACHINE WATER SUPPLY



APPLICATIONS

The Model 740 is designed for installation in vending machine water supply lines to prevent backflow of carbon dioxide and carbonated water into the potable supply.

FEATURES

- 3/8"
- 150 psi max
- 130°F max
- SAE J513 flare fitting threads inlet and outlet
- All stainless steel construction
- Silicon rubber check valve discs

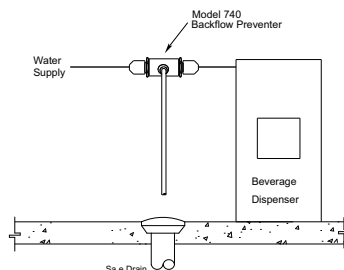
APPROVALS AND APPLICABLE SPECIFICATIONS

- ASSE® Listed 1022
- Certified to NSF/ANSI 372

TYPICAL INSTALLATION

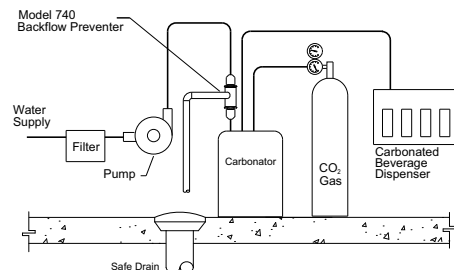
The Model 740 can be installed in the horizontal or vertical position. Under certain conditions the Model 740 may discharge water from the vent port. Provisions must be made to ensure that discharge will not damage surrounding property or equipment. Copper tubing shall not be used downstream of the Model 740.

TYPICAL INSTALLATION



Non-Carbonated Beverage System

SIZE	LEAD-FREE PART NUMBER
740: SAE 45 X SAE 45, STAINLESS STEEL	
3/8"	38-740
740F: FNPT X FNPT, STAINLESS STEEL	
3/8"	38-740F



Carbonated Beverage System

760 SERIES – DUAL CHECK WITH ATMOSPHERIC VENT



APPLICATIONS

The 760 provides low hazard protection against backflow from a residential boiler.

FEATURES

- 1/2", 3/4"
- 175 psi max
- 210°F max
- Continuous pressure type backflow preventer with threaded atmospheric vent drain
- Brass body construction
- Integral stainless steel screen
- Union connections both ends; available with FNPT or copper connections

APPROVALS AND APPLICABLE SPECIFICATIONS

- ASSE® Listed 1012, CSA® Certified

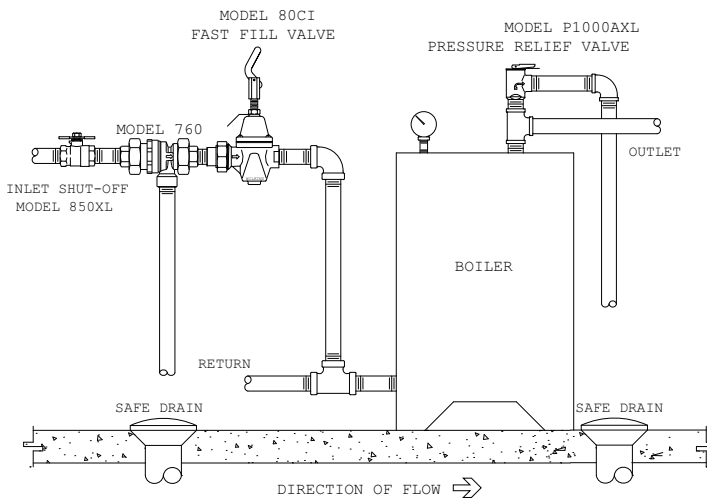
ACCESSORIES

- Hydronic expansion tank (HXT)
- Pressure relief valve (P1000AXL)

TYPICAL INSTALLATION

Under certain conditions, the Model 760 will spill water from the vent port. WARNING: Provisions must be made to collect this spillage through an air gap or other means. The vent port should never be directly piped into a drainage ditch, sewer or pump. Under no circumstances should the vent port or drain line be plugged. Local codes shall govern installation requirements. To be installed in accordance with the manufacturers' instructions and the latest edition of the Uniform Plumbing Code. The installation shall be made so that no part of the unit can be submerged.

TYPICAL INSTALLATION



SIZE	LEAD-FREE EXEMPT PART NUMBER
760: FNPT X FNPT	
1/2"	12-760
3/4"	34-760
760C: FEMALE CU SWT X FEMALE CU SWT	
1/2"	12-760C
3/4"	34-760C

40XL2 SERIES – IN-LINE SINGLE CHECK VALVE



APPLICATIONS

The soft seated slow closing check design of the 40XL2 series is ideal as a backdrop against inlet pressure fluctuations that may cause RP relief valve discharge and/or water hammer.

FEATURES

- 1/4" - 2"
- 200 psi
- 210°F max
- Brass body construction
- PEI poppet and NBR rubber seat gasket, stainless steel spring
- Female NPT inlet and outlet connections
- May be installed in any position

APPROVALS AND APPLICABLE SPECIFICATIONS

- Certified to NSF/ANSI 61 and 372

SIZE	LEAD-FREE PART NUMBER
40XL2: FNPT X FNPT	
1/4"	14-40XL2
3/8"	38-40XL2
1/2"	12-40XL2
3/4"	34-40XL2
1"	1-40XL2
1-1/4"	114-40XL2
1-1/2"	112-40XL2
2"	2-40XL2
2-1/2"	212-40XL2
3"	3-40XL2
4"	4-40XL2

35XL SERIES – ATMOSPHERIC VACUUM BREAKER



APPLICATIONS

The 35XL Atmospheric Vacuum Breaker is an economical way of preventing high hazard backsiphonage backflow in non-continuous pressure applications.

FEATURES

- 1/4", 1/2" - 2"
- 125 psi max
- 180°F max
- Bronze body
- Lightweight, plastic poppet float

APPROVALS AND APPLICABLE SPECIFICATIONS

- ASSE® Listed 1001, cUPC® Listed, CSA® Certified
- Certified to NSF/ANSI 372

ACCESSORIES

- Water hammer arrestor (Model 1260XL)

SIZE	LEAD-FREE PART NUMBER
35XL: FNPT X FNPT, BRONZE	
1/2"	12-35XL
3/4"	34-35XL
1"	1-35XL
1-1/4"	114-35XL
1-1/2"	112-35XL
2"	2-35XL
35XLCH: FNPT X FNPT, CHROME	
1/2"	12-35XLCH
35XLPCH: FNPT X FNPT, POLISHED CHROME	
1/2"	12-35XLPCH
35XLVCH: FNPT X FNPT, CHROME, VERTICAL INLET & OUTLET	
1/4"	14-35XLVCH

BACKFLOW PREVENTERS

BACKFLOW PREVENTERS ACCESSORIES

STRAINERS

AUTOMATIC CONTROL VALVES

PRESSURE REDUCING VALVES

FIRE PROTECTION VALVES

THERMOSTATIC MIXING VALVES

RELIEF VALVES

MISCELLANEOUS PLUMBING PRODUCTS

REPAIR KITS

BFP-9 & BFP-8F SERIES – HOSE CONNECTION VACUUM BREAKER



SIZE	LEAD-FREE EXEMPT PART NUMBER
BFP-9: FNH X MNH	
3/4"	BFP-9
BFP-9CH: FNH X MNH, CHROME PLATED	
3/4"	BFP-9CH
BFP-8F: FNH X MNH, MANUAL DRAIN FOR FREEZE PROTECTION	
3/4"	BFP-8F

TYPICAL INSTALLATION

APPLICATIONS

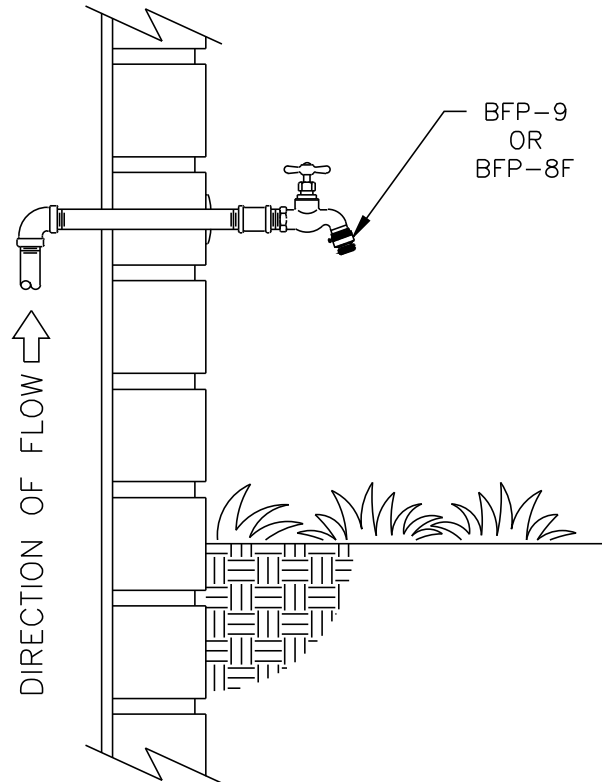
Designed for installation on hose bibbs to protect against backsiphonage of polluted water into the non-potable water supply.

FEATURES

- 3/4"
- 125 psi max
- 180°F max
- Brass hose bibb backflow preventer with vandal resistant feature

APPROVALS AND APPLICABLE SPECIFICATIONS

- ASSE® Listed 1011, cUPC® Listed, CSA® Certified



TYPICAL HOSE BIBB INSTALLATION

BACKFLOW PREVENTERS ACCESSORIES

Backflow prevention systems generally are comprised of more than just a backflow assembly. Wilkins offers a complete line of backflow accessories to accompany your installation, from ancillary shut-off valves to test kits, and accessories for valve monitoring and frost protection.

WBR SERIES – IN BUILDING RISERS	56
ZWFR – FREEZE RELIEF VALVE	56
BVMS – BALL VALVE MONITOR SWITCH	57
OSY-40 – GATE VALVE SUPERVISORY SWITCH KIT	57
850XL SERIES – FULL PORT BALL VALVE	57
48 SERIES – NRS GATE VALVE	58
48OSY SERIES – OS&Y GATE VALVE	58
48PIV – POST INDICATOR GATE VALVE	59
F48OSYF SERIES – FIRE OS&Y UNTAPPED GATE VALVE	59
49 SERIES – BUTTERFLY VALVE	60
FLUSH FITTING TOOLS – 350/375 BACKFLOW PREVENTERS	60
TG-3 AND TG-5 – BACKFLOW ASSEMBLY TEST KITS	60
QT-SET (BRASS) AND QTP (PLASTIC) – QUICK TEST FITTINGS	61
400 SERIES SETTER	61
400ST SERIES SETTER	61
RFK4X3-400ST – 4" X 3" SETTER ADAPTERS FOR 400ST SERIES	62
AG SERIES – AIR GAP	62

WBR SERIES - IN BUILDING RISERS



APPROVALS AND APPLICABLE SPECIFICATIONS

- UL® Listed, ULC® Listed, FM® Approved
- Certified to NSF/ANSI 372

SIZE	LEAD-FREE PART NUMBER
WBR: PUSH-ON X GROOVED, 6' X 6' ELBOW STANDARD, INCLUDES END CAP	
4"	4-WBR
6"	6-WBR
8"	8-WBR
10"	10-WBR
WBR-F: PUSH-ON X FLANGED, 6' X 6' ELBOW STANDARD	
4"	4-WBR-F
6"	6-WBR-F
8"	8-WBR-F
10"	10-WBR-F
WBR-6X8.5: PUSH ON X GROOVED, 6' X 8.5' ELBOW STANDARD, INCLUDES END CAP	
4"	4-WBR6X8.5
6"	6-WBR6X8.5
8"	8-WBR6X8.5
10"	10-WBR6X8.5

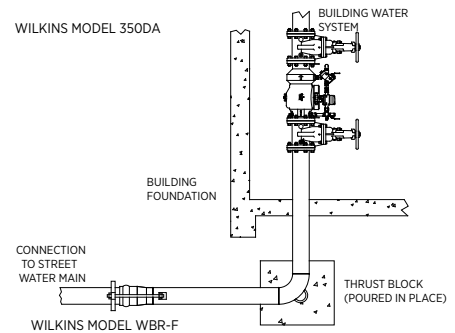
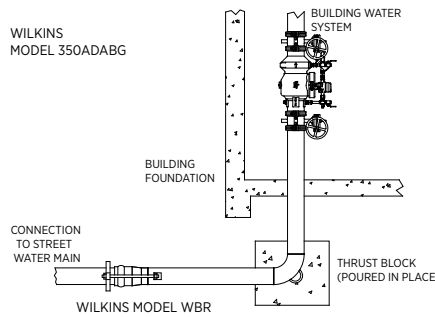
APPLICATIONS

Designed to connect a water supply line from outside the building to the water system inside the building. The Model WBR may be used in potable water or fire applications and has an all-stainless steel construction.

FEATURES

- 4" - 10"
- 200 psi max
- 140°F max
- Push-on inlet end connection (PVC or ductile iron pipe)
- Grooved (standard) or flanged outlet end connection
- Available with extended 8-1/2' (102") vertical leg (grooved outlet connection only)
- Brackets on inlet side provide attachment points for pipe installation equipment

TYPICAL INSTALLATION



ZWFR - FREEZE RELIEF VALVE



TYPICAL INSTALLATION

The Model ZWFR should be installed on the downstream test cock or downstream attached piping of any backflow device installed above ground where freezing is a concern.

NOTICE: If the Model ZWFR is installed on a test cock, the test cock must be left in the open position to allow the ZWFR to function properly.

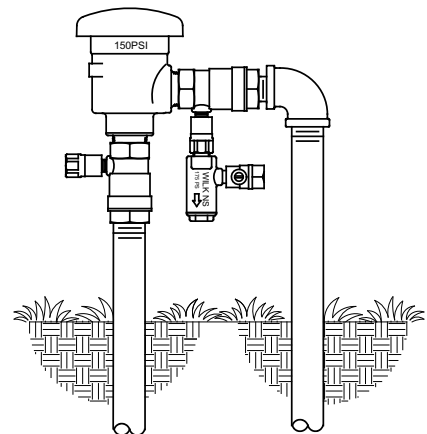
The device is best suited to be installed in the vertical down position, but may also be installed at any orientation up to horizontal. Orientations above horizontal may cause an ice dam during operation and impair valve function.

The device is not intended to replace the standard winterization process.

WARNING: Under freezing conditions the Model ZWFR will discharge water from the outlet port. Provisions must be made to insure that discharge will not damage surrounding property or equipment.

SIZE	LEAD-FREE EXEMPT PART NUMBER
ZWFR: 1/4" MNPT FREEZE RELIEF VALVE, W/ TEST COCK, 175 PSI	
1/4"	14-ZWFR

TYPICAL INSTALLATION



APPLICATIONS

For installation on backflow preventers and vacuum breakers. Ideal for regions where occasional/unexpected freezes occur, yet winterization (flushout) is not common.

FEATURES

- 1/4" MNPT
- 175 psi max
- 140°F max
- Opening temperature 35°F
- Closing temperature 40°F
- Test cock: 1/8" MNPT X 1/4" FNPT
- Compact size and shape allow for ease of installation

BVMS – BALL VALVE MONITOR SWITCH



APPLICATIONS

The Model BVMS is designed to monitor the fully open position of a ball valve installed in a sprinkler system. The BVMS will mount onto Wilkins 950XL, 950XLT2, 975XL, and 975XL2 backflow preventers.

FEATURES

- 3/4" - 2"
- For use on 950XL, 950XLT2, 975XL, and 975XL2
- Complete with mounting hardware
- Contacts for both normally open and normally closed operation
- NO/NC SPDT contacts: 10A at 125/250 VAC, 2A at 30 VDC
- On backflow installations a switch is required on each ball valve, thus two BVMS are required

SIZE	INLET X OUTLET CONNECTIONS / OPTIONS	LEAD-FREE PART NUMBER
BVMS		
3/4" - 1"	Small clamp w/ BV switch	BVMS-S40
1-1/4" - 2"	Large clamp w/ BV switch	BVMS-L40

OSY-40 – GATE VALVE SUPERVISORY SWITCH KIT



APPLICATIONS

The OSY-40 supervisory switch is used to monitor the open position of an OS&Y (outside stem and yoke) type gate valve.

FEATURES

- For use on OS&Y type gate valves sizes 2-1/2" thru 12"
- Kit includes switch and bracket for installation
- On backflow installations a switch is required on each OS&Y gate valve

APPROVALS AND APPLICABLE STANDARDS

- UL listed and CSFM Listed, FM approved, NYMEA accepted, CE marked
- Complies with NFPA 13, 13D, 13R, 71 and 72

SIZE	INLET X OUTLET CONNECTIONS / OPTIONS	LEAD-FREE PART NUMBER
OSY-40		
2-1/2" - 12"	OSY Switch	OSY-40

850XL SERIES – FULL PORT BALL VALVE



APPLICATIONS

Wilkins Model 850XL full port brass ball valves are recommended for residential, commercial and industrial applications.

FEATURES

- 3/8" - 2"
- 600 psi max
- Full port solid ball
- Bronze body

APPROVALS AND APPLICABLE STANDARDS

- Certified to NSF/ANSI 372

SIZE	LEAD-FREE PART NUMBER
850XL: FULL PORT BRONZE THREADED BALL VALVE, FNPT X FNPT	
3/8"	38-850XL
1/2"	12-850XL
3/4"	34-850XL
1"	1-850XL
1-1/4"	114-850XL
1-1/2"	112-850XL
2"	2-850XL
850TXL: FULL PORT BRONZE THREADED BALL VALVE, FNPT X FNPT, TAPPED	
3/8"	38-850TXL
1/2"	12-850TXL
3/4"	34-850TXL
1"	1-850TXL
1-1/4"	114-850TXL
1-1/2"	112-850TXL
2"	2-850TXL

SIZE	LEAD-FREE PART NUMBER
850UXL: FULL PORT BRONZE THREADED BALL VALVE, FNPT UNION X FNPT	
3/4"	34-850UXL
1"	1-850UXL
1-1/4"	114-850UXL
1-1/2"	112-850UXL
2"	2-850UXL
850TUXL: FULL PORT BRONZE THREADED BALL VALVE, FNPT UNION X FNPT, TAPPED	
3/4"	34-850TUXL
1"	1-850TUXL
1-1/4"	114-850TUXL
1-1/2"	112-850TUXL
2"	2-850TUXL
850MXL: FULL PORT BRONZE THREADED BALL VALVE, MNPT X FNPT	
3/8"	38-850MXL
1/2"	12-850MXL
850TMXL: FULL PORT BRONZE THREADED BALL VALVE, MNPT X FNPT, TAPPED	
3/8"	38-850TMXL
1/2"	12-850TMXL

48 SERIES – NRS GATE VALVE



APPLICATIONS

Designed for installation on potable water lines, irrigation systems, and waterworks connections.

FEATURES

- 2-1/2" - 12"
- 250 psi max
- Non-rising stem
- Full flow waterway
- Tapped and plugged

APPROVALS AND APPLICABLE STANDARDS

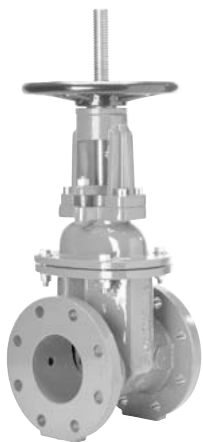
- Valves conform to ANSI/AWWA C515 and C550
- Flanges conform to ANSI/ASME B16.1
- Grooved end conforms to ANSI/AWWA C606
- UL® Listed, C-UL® Listed, FM® Approved
- Certified to NSF/ANSI 372

ACCESSORIES

2" Square operating nut available

SIZE	LEAD-FREE PART NUMBER
48: NRS GATE VALVES, FLANGED X FLANGED	
2-1/2"	212-48
3"	3-48
4"	4-48
6"	6-48
8"	8-48
10"	10-48
12"	12IN-48
48G: NRS GATE VALVES, GROOVED X GROOVED	
2-1/2"	212-48G
3"	3-48G
4"	4-48G
6"	6-48G
8"	8-48G
10"	10-48G
48GXF: NRS GATE VALVES, GROOVED X FLANGED	
2-1/2"	212-48GXF
3"	3-48GXF
4"	4-48GXF
6"	6-48GXF
8"	8-48GXF
10"	10-48GXF

48OSY SERIES – OS&Y GATE VALVE



FEATURES

- Sizes: 2" - 12"
- 250 psi max
- Outside stem and yoke (rising stem for visual indication)
- Full flow waterway
- Tapped and plugged

APPROVALS AND APPLICABLE STANDARDS

- Grooved end conforms to ANSI/AWWA C606
- Flanged end conforms to ANSI/ASME B16.1
- Valves conform to ANSI/AWWA C515 and C550
- UL® listed, FM® Approved, C-UL® listed
- Certified to NSF/ANSI 372

ACCESSORIES

- OS&Y gate valve supervisory switch (OSY-40)

SIZE	LEAD-FREE PART NUMBER
48OSYCIT: OS&Y GATE VALVES, FNPT X FNPT	
2"	2-48OSYCIT
48OSY: OS&Y GATE VALVES, FLANGED X FLANGED	
2-1/2"	212-48OSY
3"	3-48OSY
4"	4-48OSY
6"	6-48OSY
8"	8-48OSY
10"	10-48OSY
12"	12IN-48OSY
48OSY G: OS&Y GATE VALVES, GROOVED X GROOVED	
2-1/2"	212-48OSYG
3"	3-48OSYG
4"	4-48OSYG
6"	6-48OSYG
8"	8-48OSYG
10"	10-48OSYG
48OSYGXF: OS&Y GATE VALVES, GROOVED X FLANGED	
2-1/2"	212-48OSYGXF
3"	3-48OSYGXF
4"	4-48OSYGXF
6"	6-48OSYGXF
8"	8-48OSYGXF
10"	10-48OSYGXF

APPLICATIONS

Designed for installation on potable water lines, waterworks connections, and fire systems.

48PIV – POST INDICATOR GATE VALVE



APPLICATIONS

Designed for installation on potable water lines leading to fire suppression systems.

FEATURES

- 2-1/2" - 10"
- 250 psi max
- Universal post indicator (PI) plate and operating nut
- Resilient seated
- Full flow waterway
- Tapped and plugged

APPROVALS AND APPLICABLE STANDARDS

- Grooved end conforms to ANSI/AWWA C606
- Flanged end conforms to ANSI/ASME B16.1
- Valves conform to ANSI/AWWA C515 and C550
- UL® listed, FM® Approved, C-UL® listed
- Certified to NSF/ANSI 372

SIZE	LEAD-FREE PART NUMBER
48PIV: POST INDICATOR GATE VALVE, FLANGED X FLANGED	
2-1/2"	212-48PIV
3"	3-48PIV
4"	4-48PIV
6"	6-48PIV
8"	8-48PIV
10"	10-48PIV
12"	12IN-48PIV
48PIVG: POST INDICATOR GATE VALVE, GROOVED X GROOVED	
2-1/2"	212-48PIVG
3"	3-48PIVG
4"	4-48PIVG
6"	6-48PIVG
8"	8-48PIVG
10"	10-48PIVG
48PIVGXF: POST INDICATOR GATE VALVE, GROOVED X FLANGED	
2-1/2"	212-48PIVGXF
3"	3-48PIVGXF
4"	4-48PIVGXF
6"	6-48PIVGXF
8"	8-48PIVGXF
10"	10-48PIVGXF
12"	12IN-48PIVGXF

F48OSYF SERIES – FIRE OS&Y UNTAPPED GATE VALVE



APPLICATIONS

The F48OSYF Fire OS&Y Untapped rising stem resilient wedge gate valve provides a visual indication of valves open/closed position. Used as a control valve in fire protection systems.

FEATURES

- Sizes: 2 1/2" - 10"
- 250 psi max
- Outside stem and yoke, resilient wedge gate valve
- Low-lead law compliant

APPROVALS AND APPLICABLE STANDARDS

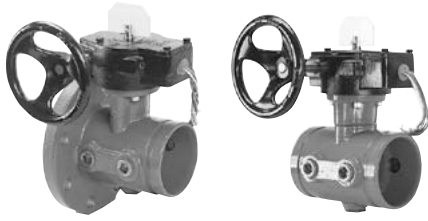
- Valves conform to AWWA C515 and C550
- Flanged end conforms to ANSI/ASME B16.42 class 150
- UL® Listed, C-UL® Listed, FM® Approved

ACCESSORIES

OS&Y gate valve supervisory switch (OSY-40)

SIZE	LEAD-FREE EXEMPT PART NUMBER
F48OSYF: FIRE OS&Y UNTAPPED GATE VALVES, FLANGED X FLANGED, NO TAPPED BOSSES	
2-1/2"	212-F48OSYF
3"	3-F48OSYF
4"	4-F48OSYF
6"	6-F48OSYF
8"	8-F48OSYF
10"	10-F48OSYF

49 SERIES – BUTTERFLY VALVE



APPLICATIONS

Designed for installation on potable water lines, irrigation systems, waterworks connections, and fire systems.

FEATURES

- 2-1/2" - 10"
- 175 psi max
- Grooved or flanged end connections
- Weatherproof actuator for indoor or outdoor installations
- Integral supervisory switch with visual indicator

APPROVALS AND APPLICABLE STANDARDS

- UL® listed, FM® Approved, C-UL® listed
- Certified to NSF/ANSI 372

SIZE	LEAD-FREE PART NUMBER
49G: BUTTERFLY VALVE, GROOVED X GROOVED	
2-1/2"	212-49G
3"	3-49G
4"	4-49G
6"	6-49G
8"	8-49G
10"	10-49G
49FXG: BUTTERFLY VALVE, FLANGED X GROOVED	
2-1/2"	212-49FXG
3"	3-49FXG
4"	4-49FXG
6"	6-49FXG
8"	8-49FXG
10"	10-49FXG
49GXF: BUTTERFLY VALVE, GROOVED X FLANGED	
2-1/2"	212-49GXF
3"	3-49GXF
4"	4-49GXF
6"	6-49GXF
8"	8-49GXF
10"	10-49GXF

FLUSH FITTING TOOLS – 350/375 BACKFLOW PREVENTERS



FEATURES

- Unique Blow-Out Flush Fitting (BOF)
- Two O-rings
- 18" leader garden hose (3/4" female hose swivel connection by 3/4" male hose thread connection)

SIZE	LEAD-FREE EXEMPT PART NUMBER
350 SERIES FLUSH TOOL FOR EASY LINE FLUSHING AT STARTUP	
3/4"	RK34-350FLUSH
1"	RK1-350FLUSH
1-1/4" - 2"	RK114-350-375FLUSH
375 SERIES FLUSH TOOL FOR EASY LINE FLUSHING AT STARTUP	
1/2" - 3/4"	RK34-375FLUSH
1"	RK1-375FLUSH
1-1/4" - 2"	RK114-350-375FLUSH

APPLICATIONS

Line flushing is simple, safe and easily directed to a safe drain. Flushing can be accomplished by one person, saving up to 15 minutes per installation and preventing debris from fouling the backflow preventer, eliminating call-backs and unnecessary maintenance or replacement of the backflow preventer.

TG-3 AND TG-5 – BACKFLOW ASSEMBLY TEST KITS



FEATURES

- 200 psi max
- Temperature range 35° to 150°F
- Gauge dial 4-1/2" diameter, 0 – 15 psi scale
- 200 psi line pressure gauge dial
- Accuracy: ±0.2 psid (descending)
- Soft-seated needle valve with replaceable seats (Model TG-3, 3 total) (Model TG-5, 5 total)
- Hoses and fittings (Three) 5' lengths; color-coded and (one) 4' long clear bleed tube (Model TG-5)
- SAE 45° flare fittings and 90-micron cleanable porous metal filters
- Five-year warranty against defects in materials and manufacturing

PART NUMBER
TG-3 AND TG-5 – BACKFLOW ASSEMBLY TEST KITS
TG-3
TG-5

APPLICATIONS

Designed for testing all brands of pressure type vacuum breakers, spill resistant pressure vacuum breakers, double check valve, and reduce pressure type backflow prevention assemblies.

QT-SET (BRASS) AND QTP (PLASTIC) – QUICK TEST FITTINGS



PART NUMBER

QT-SET QUICK TEST FITTINGS

Set includes 3 each sizes: 1/4", 1/2" and 3/4". SAE flare fittings for fast connect/disconnect.

QT-SET

* Also available in a 1/4" thermoplastic model (RK-QTP).

QTP QUICK TEST PLASTIC FITTINGS

RK14-QTP



APPLICATIONS

Adapter kit designed to connect backflow prevention assemblies to a differential pressure test gauge.

FEATURES

- Set includes 3 each in sizes: 1/4", 1/2", 3/4"
- Tear resistant o-rings
- SAE 45 flare fittings – SAE J513
- Knurled for easy gripping
- Includes 3 spare o-rings per size

APPLICATIONS

High visibility, inexpensive adapters designed to connect backflow prevention assemblies to a differential pressure test gauge.

FEATURES

- 1/4"
- Bright orange for visibility
- SAE 45° Flare Fittings – SAE J513
- Sold in convenient 3-pack

400 SERIES SETTER



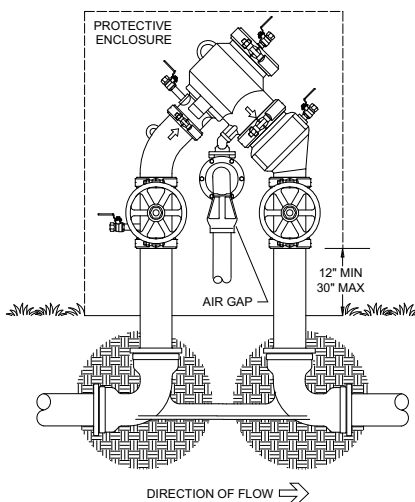
APPLICATIONS

Aids in installation of the ductile iron n-Pattern Model 450 and 475 series backflow prevention assemblies.

FEATURES

- 2-1/2" - 10"
- Ductile iron epoxy coated inside and out

TYPICAL INSTALLATION



SIZE	LEAD-FREE PART NUMBER
FLS: FLANGED X FLANGED	
2-1/2"	212-FLS
3"	3-FLS
4"	4-FLS
6"	6-FLS
8"	8-FLS
10"	10-FLS
MJFS: FLANGED X MECHANICAL JOINT	
3"	3-MJFS
4"	4-MJFS
6"	6-MJFS
8"	8-MJFS
10"	10-MJFS
MJS: MECHANICAL JOINT X MECHANICAL JOINT	
3"	3-MJS
4"	4-MJS
6"	6-MJS
8"	8-MJS
10"	10-MJS

400ST SERIES SETTER

NEW



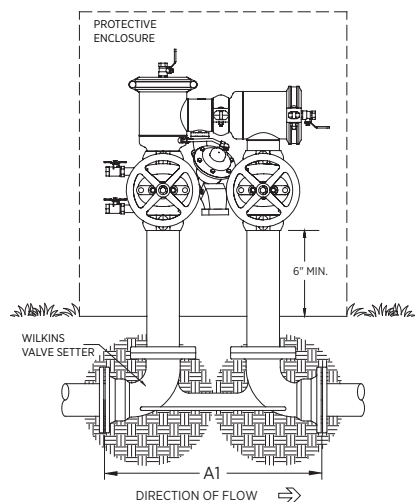
APPLICATIONS

Aids in installation of the stainless steel n-Pattern Model 450ST and 475ST series backflow prevention assemblies.

FEATURES

- 4" - 10"
- Ductile iron epoxy coated inside and out

TYPICAL INSTALLATION



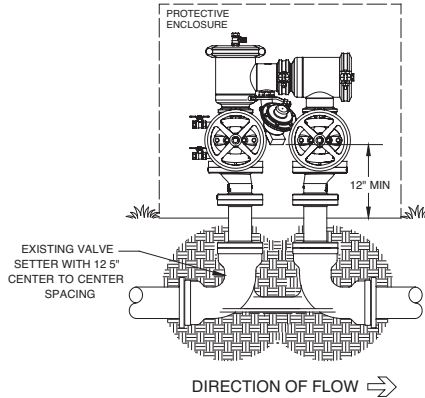
SIZE	LEAD-FREE PART NUMBER
FLSST: FLANGED X FLANGED	
4"	4-FLSST
6"	6-FLSST
8"	8-FLSST
10"	10-FLSST
MJFSST: FLANGED X MECHANICAL JOINT	
4"	4-MJFSST
6"	6-MJFSST
8"	8-MJFSST
10"	10-MJFSST
MJSST: MECHANICAL JOINT X MECHANICAL JOINT	
4"	4-MJSST
6"	6-MJSST
8"	8-MJSST
10"	10-MJSST

For additional product information, please visit www.zurn.com.

RFK4X3-400ST - 4" X 3" SETTER ADAPTERS FOR 400ST SERIES



TYPICAL INSTALLATION



SIZE	LEAD-FREE EXEMPT PART NUMBER
RFK4X3-400ST: FLANGED X FLANGED	
4" X 3"	RFK4X3-400ST

APPLICATIONS

The RFK4X3-400ST Wilkins setter adapters are ideal for retrofitting existing competitor 3" n-Pattern backflow installations with a Wilkins 4" 400ST series stainless steel n-Pattern backflow preventer.

FEATURES

- Retrofit kit includes two offset adapters with 4" x 3" flanged connections
- Designed to adapt Wilkins 4" 400ST series stainless steel n-pattern backflow preventers to existing 3" risers with 12.5" center-to-center spacing
- Adapters used in conjunction with Wilkins 4" 400ST series for a direct drop-in-replacement for retrofitting existing competitor 3" n-Pattern backflow installations
- Lead-free ductile iron body with FDA Approved fusion epoxy coating

AG SERIES - AIR GAP



AG-4 thru AG-8 AG-9 & AG-10 AG-11 & AG-12 AG-13 & AG-14

SIZE	INLET X OUTLET CONNECTIONS / OPTIONS	PART NUMBER
AG, AIR GAP DRAIN		
1/4" - 1/2"	975XL, Iron, 1" NPT Outlet	AG-8
3/4" - 1"	975XL, Iron, 1" NPT Outlet	AG-4
1-1/4" - 2"	975XL, Iron, 2" NPT Outlet	AG-5
3/4" - 1"	375, Composite, 2" IPS Slip Outlet	AG-11
1-1/4" - 2"	375, Composite, 3" IPS Slip Outlet	AG-12
2-1/2" - 6"	375, 375A & 475, Iron, 3" NPT Outlet	AG-6
8" - 10"	375, 375A & 475, Iron, 4" NPT Outlet	AG-7
2-1/2" - 3"	475V, Iron, 3" NPT Outlet	AG-6
4" - 6"	475V, Iron, with Elbow, 3" NPT Outlet	AG-9
8" - 10"	475V, Iron, with Elbow, 4" NPT Outlet	AG-10
4" - 6"	475ST, 475STV, with Elbow, 3" NPT Outlet	AG-13
8" - 10"	475ST, 475STV, with Elbow, 4" NPT Outlet	AG-14

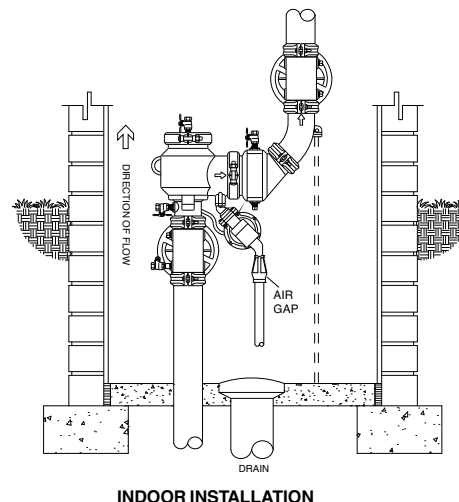
APPLICATIONS

Code mandated device that is necessary when installing a drain line to the relief valve on a Reduced Pressure Principle Assembly. Used primarily in indoor installations.

FEATURES

- See table for applicable outlet pipe sizes
- For use with 1/4" thru 10" Model 975 series, 375 series, 475 and 475ST series Reduced Pressure Principle backflow preventers

TYPICAL INSTALLATION



STRAINERS

Strainers play an integral role in many types of plumbing systems by filtering out debris that could damage sensitive valves and equipment. Wilkins offers a variety of strainers to meet your plumbing product needs.

YBXL SERIES – WYE STRAINER	64
SXL SERIES – WYE STRAINER	65
FSC SERIES – WYE STRAINER	65

YBXL SERIES - WYE STRAINER



SIZE	LEAD-FREE PART NUMBER
YBXL: FNPT X FNPT, 20 MESH SCREEN	
1/2"	12-YBXL
3/4"	34-YBXL
1"	1-YBXL
1-1/4"	114-YBXL
1-1/2"	112-YBXL
2"	2-YBXL
2-1/2"	212-YBXL
3"	3-YBXL
YBXL: FEMALE CU SWT X FEMALE CU SWT	
1/2"	12-YBXL
3/4"	34-YBXL
1"	1-YBXL
1-1/4"	114-YBXL
1-1/2"	112-YBXL
2"	2-YBXL

OPTIONS AND LIST PRICE ADDERS (ADD OPTION TO LIST PRICE TO DETERMINE TOTAL LIST PRICE)	
100 MESH SCREEN	
SIZE	
1/2"	
3/4"	
1"	
1-1/4"	
1-1/2"	
2"	
2-1/2"	
3"	
<i>Part number will be designated using "-100" (e.g. 2-YBXL-100).</i>	
CLOSURE PLUG (P) OPTION: FNPT X FNPT (E.G. 2-YBXL P)	
1/2"	
3/4"	
1"	
1-1/4"	
1-1/2"	
2"	
<i>Part number will be designated with the "P" option (e.g. 2-YBXL P).</i>	

APPLICATIONS

The YBXL series wye strainers are a perfect choice for preventing damage to downstream components due to sand and debris in the water.

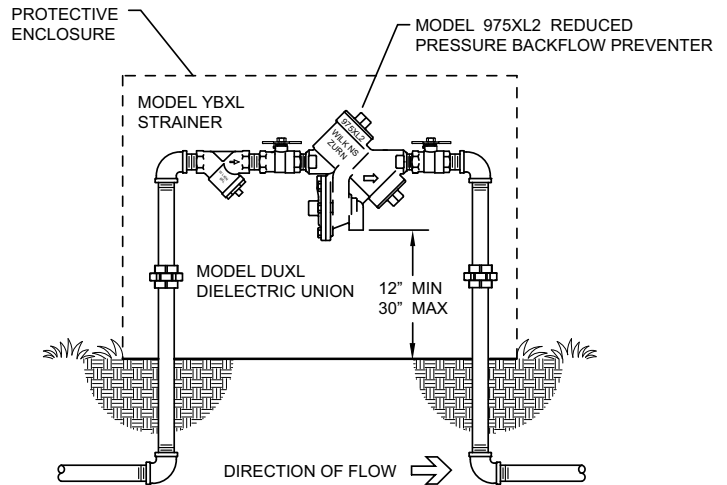
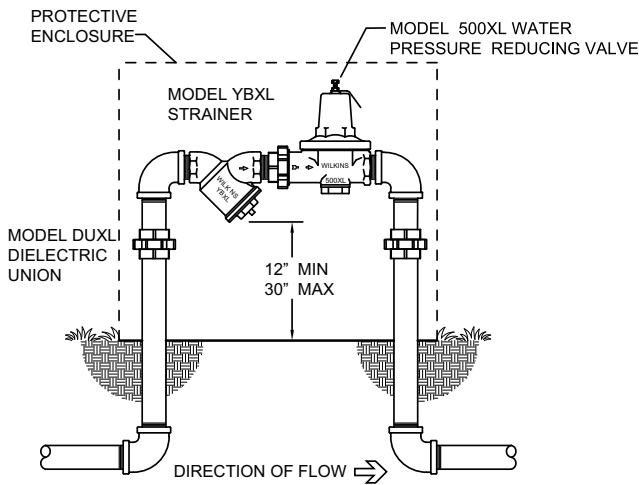
FEATURES

- 1/2" - 3"
- Furnished with 20 mesh stainless steel strainer
- 100 mesh screens available
- Bronze body construction
- FNPT connections less closure plug (standard)
- Domestic manufacture
- Certified to NSF/ANSI 372

APPROVALS AND APPLICABLE SPECIFICATIONS

Certified to NSF/ANSI 372

TYPICAL INSTALLATION



SXL SERIES - WYE STRAINER



APPLICATIONS

Recommended for a variety of water service lines including residential and commercial irrigation, swimming pools, and cooling tower water.

FEATURES

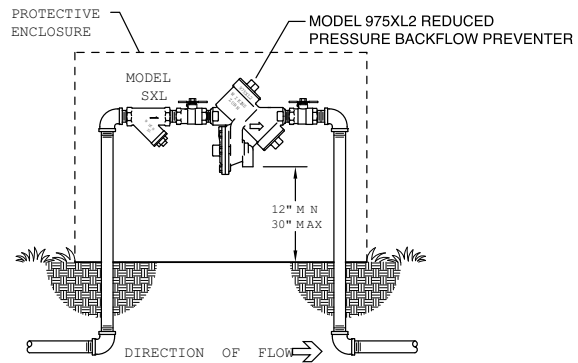
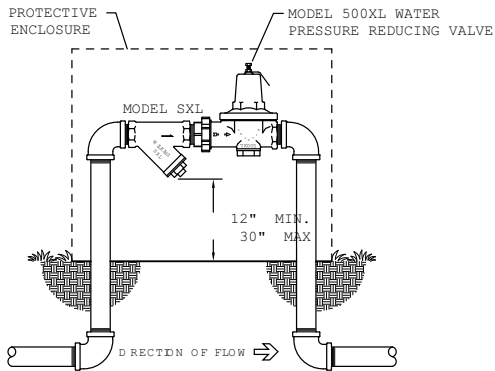
- 3/8" - 3"
- Furnished with 20 mesh stainless steel strainer
- Bronze body construction
- Supplied with brass closure plug
- Certified to NSF/ANSI 61

APPROVALS AND APPLICABLE SPECIFICATIONS

Certified to NSF/ANSI 61

SIZE	LEAD-FREE PART NUMBER
SXL: FNPT X FNPT	
3/8"	38-SXL
1/2"	12-SXL
3/4"	34-SXL
1"	1-SXL
1-1/4"	114-SXL
1-1/2"	112-SXL
2"	2-SXL
2-1/2"	212-SXL
3"	3-SXL
SXLC: FEMALE CU SWT X FEMALE CU SWT	
3/4"	34-SXLC
1"	1-SXLC

TYPICAL INSTALLATION



FSC SERIES - WYE STRAINER



APPLICATIONS

The FSC series flanged wye strainers are perfectly suited for protecting downstream equipment from fouling due to debris.

FEATURES

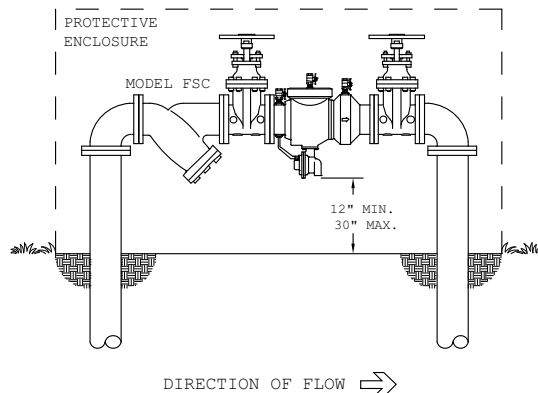
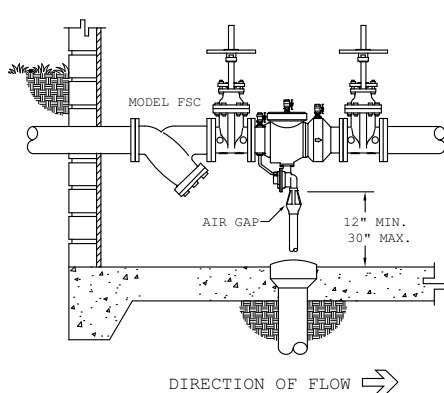
- 2-1/2" - 10"
- Epoxy coated cast iron
- Perforated self-aligning cylindrical metal screen
- Tapped for plug or blow off valve (Closure plug included)

APPROVALS AND APPLICABLE SPECIFICATIONS

Certified to NSF/ANSI 372

SIZE	LEAD-FREE PART NUMBER
FSC STRAINER (FSC) OPTION: FDA EPOXY COATED INTERIOR/EXTERIOR	
2-1/2"	212-FSC
3"	3-FSC
4"	4-FSC
6"	6-FSC
8"	8-FSC
10"	10-FSC
12"	12IN-FSC

TYPICAL INSTALLATION



NOTES

BACKFLOW
PREVENTERS

BACKFLOW PREVENTERS
ACCESSORIES

STRAINERS

AUTOMATIC
CONTROL VALVES

PRESSURE
REDUCING VALVES

FIRE
PROTECTION VALVES

THERMOSTATIC
MIXING VALVES

RELIEF VALVES

MISCELLANEOUS
PLUMBING PRODUCTS

REPAIR KITS

AUTOMATIC CONTROL VALVES

Wilkins automatic control valves provide innovative solutions to specific water system requirements. Wilkins offers the best valve features available, delivering lowest cost of ownership and life-cycle cost, the best industry lead time, and a comprehensive set of approvals.

With standard features such as isolation valves, gauges, wye strainer, and epoxy coating, the Wilkins 200 Series allows for easier and faster commissioning and maintenance.

ACV PART NUMBER CONFIGURATION TOOL	68
ZW209 SERIES – PRESSURE REDUCING VALVE	69
ZW207 SERIES – EXCESS PRESSURE SHUT-OFF VALVE	70
ZW206 SERIES – SOLENOID CONTROL VALVE	71
ZW205 SERIES – PRESSURE RELIEF, PRESSURE SUSTAINING VALVE	72
ZW204 SERIES – NON-MODULATING FLOAT VALVE	73
ZW218 SERIES – SLOW CLOSE CHECK VALVE	74
ZW221/ZW222 SERIES – ALTITUDE LEVEL CONTROL VALVES	75
ZW209FP SERIES – FIRE PROTECTION PRESSURE REDUCING VALVE	76
ZW205FP SERIES – FIRE PROTECTION PRESSURE RELIEF VALVE	77
ZW215FP SERIES – FIRE PUMP SUCTION CONTROL VALVE	78
AUTOMATIC CONTROL VALVE OPTIONS AND ACCESSORIES	79

ACV PART NUMBER CONFIGURATION TOOL

EXAMPLE

212 -

ZW209

A

Y

LP

Code	Description
Plumbing Pipe Size	
114	1-1/4"
112	1-1/2"
2	2"
212	2-1/2"
3	3"
4	4"
6	6"
8	8"
10	10"
12	12"
14	14"
16	16"
Base Part Number	
ZW204	Non-Modulating Float Valve
ZW205	Pressure Relief / Sustaining
ZW205FP	Pressure Relief / Sustaining, Fire Protection
ZW206	Solenoid
ZW207	Shut-Off Valve
ZW209	Pressure Reducing
ZW209BP	Pressure Reducing w / Integral Bypass
ZW209E	Pressure Reducing w / Solenoid
ZW209FP	Pressure Reducing, Fire Protection
ZW209H	Pressure Reducing / Sustaining
ZW209Q	Pressure Reducing / Surge Protection
ZW215FP	Pump Control, Fire Protection
ZW218	Check Valve
ZW221	Altitude Level Control - One Way
ZW222	Altitude Level Control - Two Way
Body Type	
(blank)	Globe In Line Body
A	Angle Body
R	Reduced Port Body

Code	Description
End Connections	
(blank)	Class 150 flanged (Fire Class 300)
G	Grooved
TH	Threaded
Y	Class 300 flanged
X	Class 150 flanged (Fire Only)
Available Options (Varies by Model)	
C	Hydraulic Check
L	Closing Speed Control
O	Opening Speed Control
V	Viton Rubber
Z	Position Indicator
LP	Low Pressure (by model)
LP2	2nd Lowest Pressure (by model)
LP3	Lowest pressure (varies by model)
HP	High Pressure Range
SP	Stainless Steel Pilotry
SH	Stainless Braided Hose
VM	Valve Mounted Float Pilot
R2	24" Rod Extension
R1	12" Rod Extension
R3	36" Rod Extension
NC	120v60hz Normally Closed
NO	120v60hz Normally Open
24NC	24v60hz Normally Closed
24NO	24v60hz Normally Open
NS	Non-standard Solenoid
MO	Manual Operator
W	Remote Pressure/Sensing
F	Atmospheric Drain
RV	Pilot on Reverse side
GL	Liquid Filled Gauges

ZW209 SERIES – PRESSURE REDUCING VALVE



APPLICATIONS

Steady downstream pressure and high flow rates are provided with the ZW209 Pressure Reducing Automatic Control Valve.

FEATURES

- 1-1/4" - 16"
- Globe, reduced port globe, and angle bodies available
- Standard downstream pressure range 15 to 150 psi, contact factory for other range options
- Pressure rating: 150 Class flanged, 250 psi max; 300 Class flanged or grooved, 400 psi max; Threaded, 400 psi max
- 140°F max
- Pressure gauges, wye strainer, isolation valves, and epoxy coating come standard
- Opening Speed Control standard (sizes 1-1/4" - 4")

APPROVALS AND APPLICABLE STANDARDS

- Certified to NSF/ANSI 61 and 372

IMPORTANT

Completed order form required.

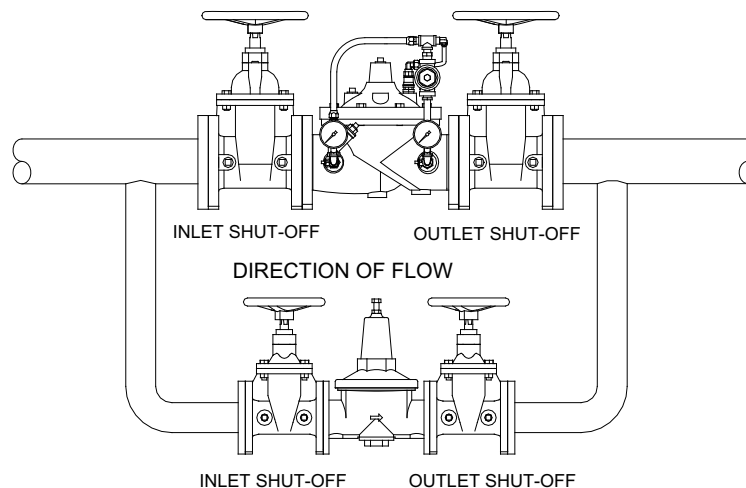
SIZE	LEAD-FREE PART NUMBER
ZW209: PRESSURE REDUCING VALVE, CLASS 150, FLANGED X FLANGED	
1-1/4"	114-ZW209TH
1-1/2"	112-ZW209
2"	2-ZW209
2-1/2"	212-ZW209
3"	3-ZW209
4"	4-ZW209
6"	6-ZW209
8"	8-ZW209
10"	10-ZW209
12"	12-ZW209
14"	14-ZW209
16"	16-ZW209
ZW209Y: PRESSURE REDUCING VALVE, CLASS 300, FLANGED X FLANGED	
1-1/2"	112-ZW209Y
2"	2-ZW209Y
2-1/2"	212-ZW209Y
3"	3-ZW209Y
4"	4-ZW209Y
6"	6-ZW209Y
8"	8-ZW209Y
10"	10-ZW209Y
12"	12-ZW209Y
14"	14-ZW209Y
16"	16-ZW209Y
ZW209BP: PRESSURE REDUCING VALVE WITH LOW FLOW BY-PASS, CLASS 150, FLANGED X FLANGED	
1-1/4"	114-ZW209BPTH
1-1/2"	112-ZW209BP
2"	2-ZW209BP
2-1/2"	212-ZW209BP
3"	3-ZW209BP
4"	4-ZW209BP
ZW209BPY: PRESSURE REDUCING VALVE WITH LOW FLOW BY-PASS, CLASS 300, FLANGED X FLANGED	
1-1/2"	112-ZW209BPY
2"	2-ZW209BPY
2-1/2"	212-ZW209BPY
3"	3-ZW209BPY
4"	4-ZW209BPY
ZW209 / ZW209BP: OPTION	
OPENING SPEED CONTROL (O) OPTION, (STANDARD ON ZW209 AND ZW209BP 4" AND SMALLER)	
6" - 10"	O Option

SIZE	LEAD-FREE PART NUMBER
ZW209E: PRESSURE REDUCING VALVE WITH SOLENOID SHUT-OFF, CLASS 150, FLANGED X FLANGED	
1-1/4"	114-ZW209ETH
1-1/2"	112-ZW209E
2"	2-ZW209E
2-1/2"	212-ZW209E
3"	3-ZW209E
4"	4-ZW209E
6"	6-ZW209E
8"	8-ZW209E
10"	10-ZW209E
12"	12-ZW209E
14"	14-ZW209E
16"	16-ZW209E
ZW209EY: PRESSURE REDUCING VALVE WITH SOLENOID SHUT-OFF, CLASS 300, FLANGED X FLANGED	
1-1/2"	112-ZW209EY
2"	2-ZW209EY
2-1/2"	212-ZW209EY
3"	3-ZW209EY
4"	4-ZW209EY
6"	6-ZW209EY
8"	8-ZW209EY
10"	10-ZW209EY
12"	12-ZW209EY
14"	14-ZW209EY
16"	16-ZW209EY
OPTIONS FOR ALL ZW209S	
SIZE	DESCRIPTION
ZW209H: PRESSURE REDUCING / PRESSURE SUSTAINING FUNCTION, CLASS 150, FLANGED X FLANGED	
1-1/4" - 16"	H Option to ZW209
ZW209Q: PRESSURE REDUCING / SURGE CONTROL VALVE, CLASS 150, FLANGED X FLANGED	
1-1/4" - 16"	Q Option to ZW209
LOW PRESSURE RANGE PILOT (5-25 PSI) (LP) OPTION	
1-1/4" - 16"	LP Option
HIGH PRESSURE RANGE PILOT (30-300 PSI) (HP) OPTION	
1-1/4" - 16"	HP Option
FOR ZW209H ONLY - LOW PRESSURE RANGE PILOT AND HIGH PRESSURE RANGE PILOT (LPHP) OPTION	
1-1/4" - 16"	LPHP Option

For threaded or grooved end connections and angle body pricing, use Class 150 valve pricing.

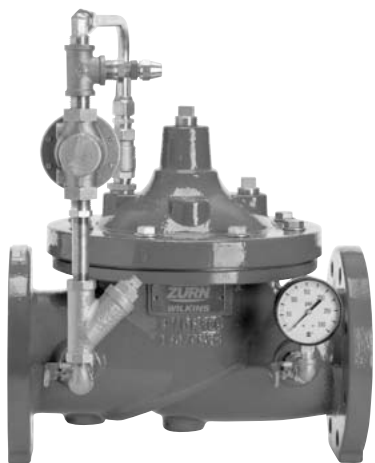
For reduced port body pricing, see Options and Accessories on page 79.

TYPICAL INSTALLATION



For additional product information, please visit www.zurn.com.

ZW207 SERIES – EXCESS PRESSURE SHUT-OFF VALVE



FEATURES

- 1-1/4" - 16"
- Globe, reduced port globe, and angle bodies available
- Pilot Spring Range 50-200 psi
- Pressure rating: 150 Class flanged, 250 psi max; 300 Class flanged or grooved, 400 psi max; Threaded, 400 psi max
- 140°F max
- Commonly used in conjunction with a ZW209 for system redundancy
- Pressure gauge, wye strainer, isolation valves, and epoxy coating come standard

APPROVALS AND APPLICABLE STANDARDS

- ANSI/AWWA C530
- Certified to NSF/ANSI 61 and 372

IMPORTANT

Completed order form required.

SIZE	LEAD-FREE PART NUMBER
ZW207: EXCESS PRESSURE SHUTDOWN VALVE, CLASS 150, FLANGED X FLANGED	
1-1/4"	114-ZW207TH
1-1/2"	112-ZW207
2"	2-ZW207
2-1/2"	212-ZW207
3"	3-ZW207
4"	4-ZW207
6"	6-ZW207
8"	8-ZW207
10"	10-ZW207
12"	12-ZW207
14"	14-ZW207
16"	16-ZW207
ZW207Y: EXCESS PRESSURE SHUTDOWN VALVE, CLASS 300, FLANGED X FLANGED	
1-1/2"	112-ZW207Y
2"	2-ZW207Y
2-1/2"	212-ZW207Y
3"	3-ZW207Y
4"	4-ZW207Y
6"	6-ZW207Y
8"	8-ZW207Y
10"	10-ZW207Y

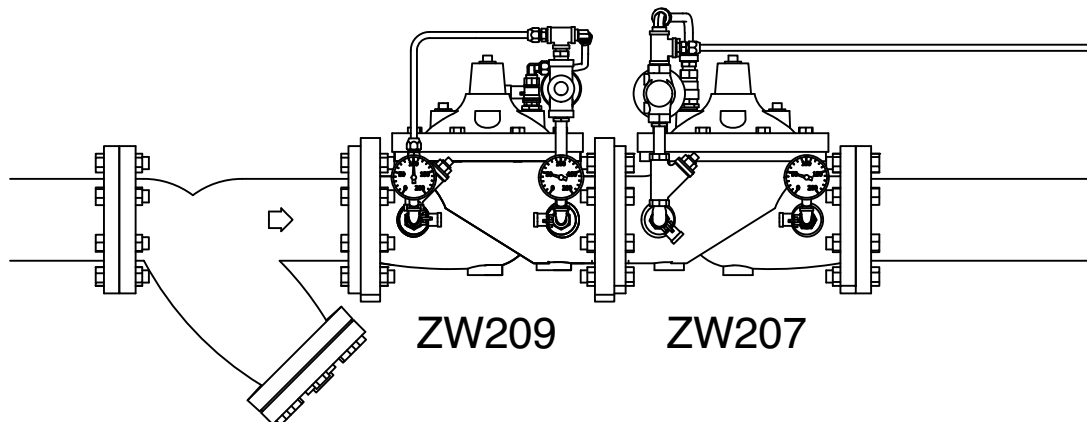
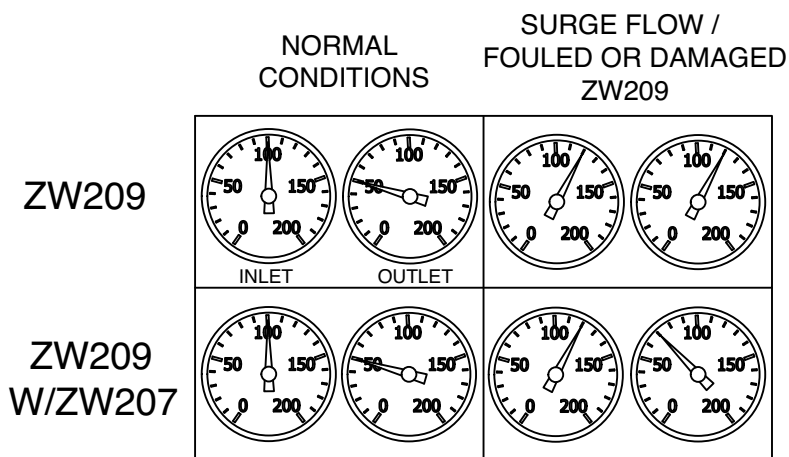
APPLICATIONS

Protect downstream equipment from over-pressurization with the ZW207 Excess Pressure Shutdown valve. Closes in the event of high supply pressure.

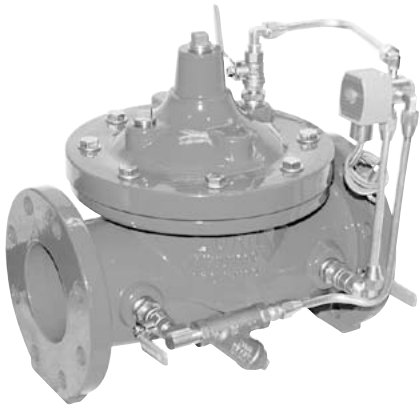
For threaded or grooved end connections and angle body pricing, use Class 150 valve pricing.

For reduced port body pricing, see Options and Accessories on page 79.

TYPICAL INSTALLATION



ZW206 SERIES – SOLENOID CONTROL VALVE



FEATURES

- 1-1/4" - 16"
- Globe, reduced port globe, and angle bodies available
- Pressure rating: 150 Class flanged, 250 psi max; 300 Class flanged or grooved, 400 psi max; Threaded, 400 psi max
- 140°F max
- On/off type valve that either opens or closes upon receiving an electrical signal to the solenoid pilot control
- Valve is furnished either normally open (energized solenoid to close) or normally closed (energize solenoid to open)
- Wye strainer, isolation valves, and epoxy coating come standard
- NEMA Type 1, 2, 3, 3S, 4, 4X general purpose watertight solenoid

APPLICATIONS

When the need arises to open or close a valve electrically, look no further than the non-modulating ZW206 Solenoid Control Valve.

APPROVALS AND APPLICABLE STANDARDS

- ANSI/AWWA C530
- Certified to NSF/ANSI 61 and 372

IMPORTANT

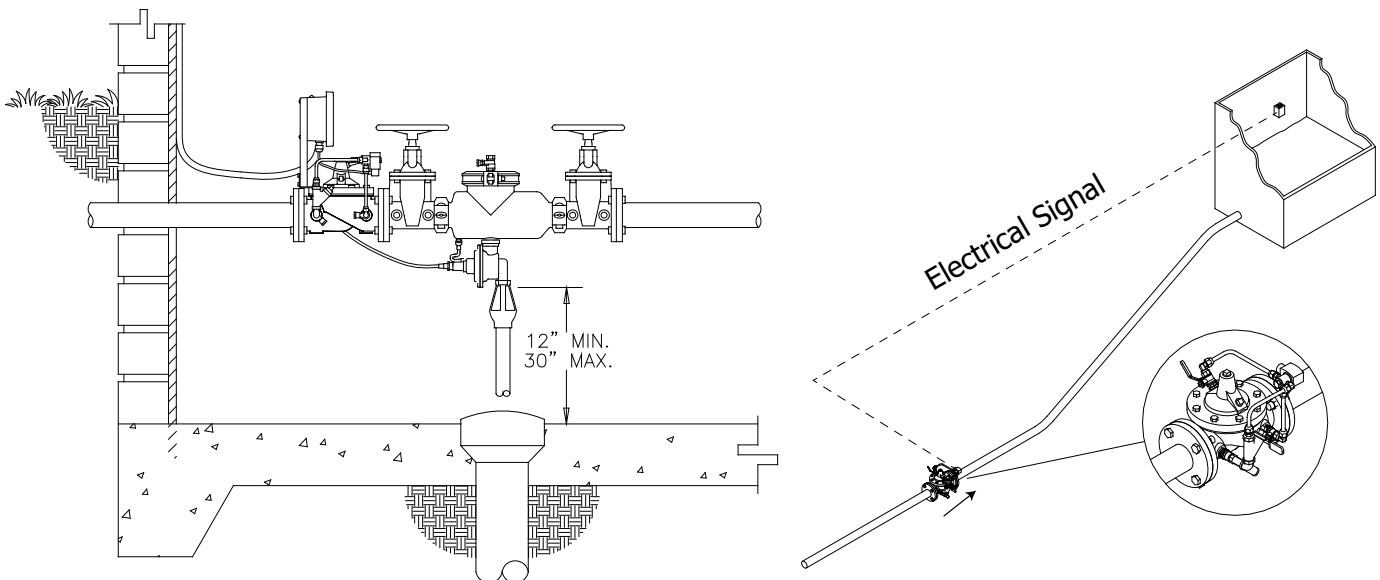
Completed order form required.

SIZE	LEAD-FREE PART NUMBER
ZW206: SOLENOID CONTROL VALVE, CLASS 150, FLANGED X FLANGED	
1-1/4"	114-ZW206TH
1-1/2"	112-ZW206
2"	2-ZW206
2-1/2"	212-ZW206
3"	3-ZW206
4"	4-ZW206
6"	6-ZW206
8"	8-ZW206
10"	10-ZW206
12"	12-ZW206
14"	14-ZW206
16"	16-ZW206
ZW206: SOLENOID CONTROL VALVE, CLASS 300, FLANGED X FLANGED	
1-1/2"	112-ZW206Y
2"	2-ZW206Y
2-1/2"	212-ZW206Y
3"	3-ZW206Y
4"	4-ZW206Y
6"	6-ZW206Y
8"	8-ZW206Y
10"	10-ZW206Y
12"	12-ZW206Y
14"	14-ZW206Y
16"	16-ZW206Y
ZW206: OPTION	
MANUAL OPERATOR ON SOLENOID VALVE (MO) OPTION	
1-1/4" - 10"	MO Option

For threaded or grooved end connections and angle body pricing, use Class 150 valve pricing.

For reduced port body pricing, see Options and Accessories on page 79.

TYPICAL INSTALLATION



ZW205 SERIES – PRESSURE RELIEF, PRESSURE SUSTAINING VALVE



APPLICATIONS

High capacity pressure relief or upstream pressure control is the function of the modulating ZW205 pressure relief / pressure sustaining valve.

FEATURES

- 1-1/4" - 16"
- Globe, reduced port globe, and angle bodies available
- Pilot spring range 50-200 psi
- Pressure rating: 150 Class flanged, 250 psi max; 300 Class flanged or grooved, 400 psi max; Threaded, 400 psi max
- 140°F max
- Pressure gauge, wye strainer, isolation valves, and epoxy coating come standard
- When used in a by-pass line, the Model ZW205 functions as a relief valve protecting against potentially damaging surges. Can also be used to sustain pressure when plumbed in line
- Closing speed control (Standard on 4" or smaller)

APPROVALS AND APPLICABLE STANDARDS

- ANSI/AWWA C530
- Certified to NSF/ANSI 61 and 372

IMPORTANT

Completed order form required. Order form can be found on the Resources tab of the product page

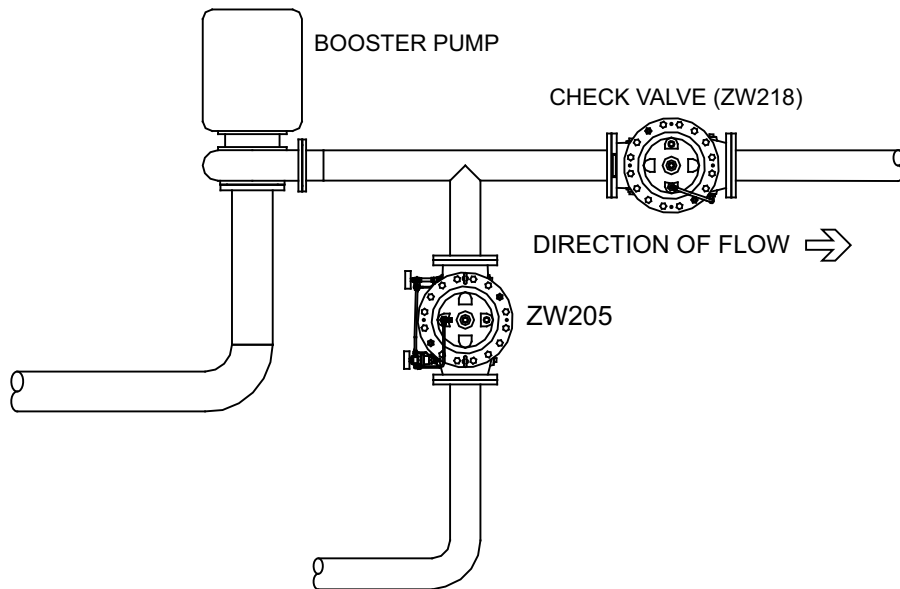
SIZE	LEAD-FREE PART NUMBER
ZW205: PRESSURE RELIEF, PRESSURE SUSTAINING VALVE, CLASS 150, FLANGED X FLANGED	
1-1/4"	114-ZW205TH
1-1/2"	112-ZW205
2"	2-ZW205
2-1/2"	212-ZW205
3"	3-ZW205
4"	4-ZW205
6"	6-ZW205
8"	8-ZW205
10"	10-ZW205
12"	12-ZW205
14"	14-ZW205
16"	16-ZW205
ZW205Y: PRESSURE RELIEF, PRESSURE SUSTAINING VALVE, CLASS 300, FLANGED X FLANGED	
1-1/2"	112-ZW205Y
2"	2-ZW205Y
2-1/2"	212-ZW205Y
3"	3-ZW205Y
4"	4-ZW205Y
6"	6-ZW205Y
8"	8-ZW205Y
10"	10-ZW205Y
12"	12-ZW205Y
14"	14-ZW205Y
16"	16-ZW205Y

ZW205: OPTIONS	
CLOSING SPEED CONTROL (L) OPTION (STANDARD ON MODEL ZW205 4" AND SMALLER)	
6" - 10"	L Option
HIGH PRESSURE RANGE PILOT (150-300 PSI) (HP) OPTION	
1-1/4" - 10"	HP Option
LOW PRESSURE RANGE PILOT (30-90 PSI) (LP) OPTION	
1-1/4" - 10"	LP Option
LOW PRESSURE RANGE PILOT (10-35 PSI) (LP2) OPTION	
1-1/4" - 10"	LP2 Option
LOW PRESSURE RANGE PILOT (5-15 PSI) (LP3) OPTION	
1-1/4" - 10"	LP3 Option

For threaded or grooved end connections and angle body pricing, use Class 150 valve pricing.

For reduced port body pricing, see Options and Accessories on page 79.

TYPICAL INSTALLATION



ZW204 SERIES – NON-MODULATING FLOAT VALVE



FEATURES

- 1-1/4" - 16"
- Globe, reduced port globe, and angle bodies available
- Pressure rating: 150 Class flanged, 250 psi max; 300 Class flanged or grooved, 400 psi max; Threaded, 400 psi max
- 140°F max
- 1', 2', or 3' float rod extensions available
- Remotely mounted pilot (standard)
- Wye strainer, isolation valves, and epoxy coating come standard
- Corrosion resistant stainless steel float, rod, and Monel pilot valve seat

APPROVALS AND APPLICABLE STANDARDS

- ANSI/AWWA C530
- Certified to NSF/ANSI 61 and 372

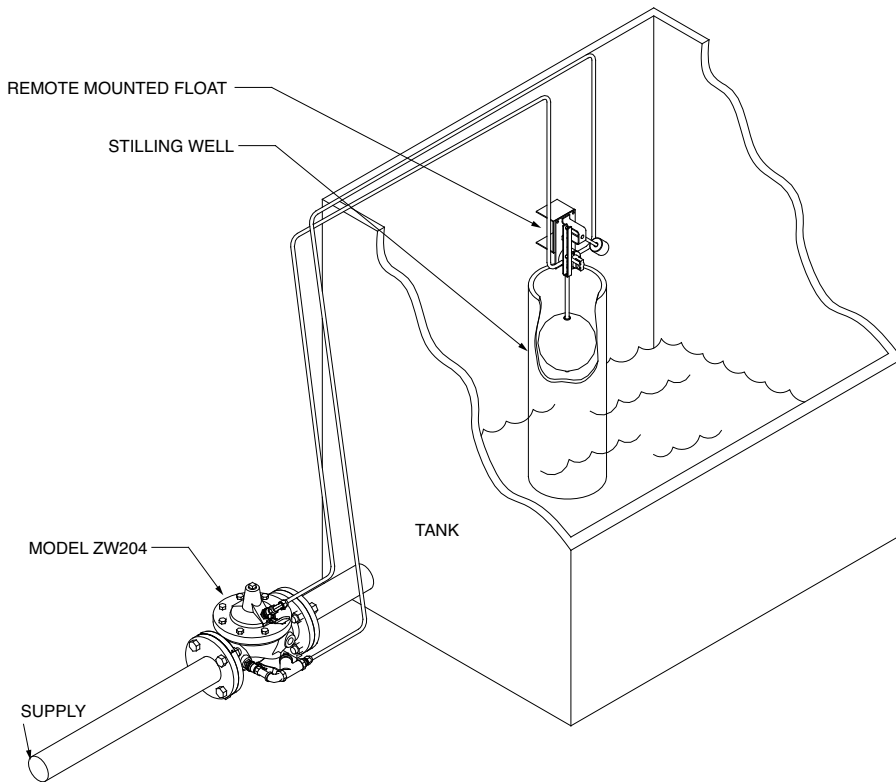
IMPORTANT

Completed order form required. Order form can be found on the Resources tab of the product page

APPLICATIONS

Controlling the fluid level in a tank is easily accomplished with the Wilkins ZW204 non-modulating float valve that opens fully at a low set point and closes tightly at a high set point.

TYPICAL INSTALLATION



SIZE	LEAD-FREE PART NUMBER
ZW204: NON-MODULATING FLOAT VALVE, CLASS 150, FLANGED X FLANGED	
1-1/4"	114-ZW204TH
1-1/2"	112-ZW204
2"	2-ZW204
2-1/2"	212-ZW204
3"	3-ZW204
4"	4-ZW204
6"	6-ZW204
8"	8-ZW204
10"	10-ZW204
12"	12-ZW204
14"	14-ZW204
16"	16-ZW204
ZW204Y: NON-MODULATING FLOAT VALVE, CLASS 300, FLANGED X FLANGED	
1-1/2"	112-ZW204Y
2"	2-ZW204Y
2-1/2"	212-ZW204Y
3"	3-ZW204Y
4"	4-ZW204Y
6"	6-ZW204Y
8"	8-ZW204Y
10"	10-ZW204Y
12"	12-ZW204Y
14"	14-ZW204Y
16"	16-ZW204Y

ZW204: OPTIONS

VALVE MOUNTED FLOAT (VM) OPTION

1-1/4" - 10" VM Option

ROD EXTENSION (E.G. 4-ZW204R1, OR IF PURCHASED AS STANDALONE PRODUCT, PV-FNM-R1)

1-1/4" - 10" R1 Option, 1' Length

1-1/4" - 10" R2 Option, 2' Length

1-1/4" - 10" R3 Option, 3' Length

For threaded or grooved end connections and angle body pricing, use Class 150 valve pricing.

For reduced port body pricing, see Options and Accessories on page 79.

ZW218 SERIES – SLOW CLOSE CHECK VALVE



FEATURES

- 1-1/4" - 16"
- Globe, reduced port globe, and angle bodies available
- Pressure rating: 150 Class flanged, 250 psi max; 300 Class flanged or grooved, 400 psi max; threaded, 400 psi max
- 140°F max
- Opening and closing speed controls standard for all sizes
- Epoxy coating standard

APPROVALS AND APPLICABLE STANDARDS

- ANSI/AWWA C530
- Certified to NSF/ANSI 61 and 372

IMPORTANT

Completed order form required. Order form can be found on the Resources tab of the product page

SIZE	LEAD-FREE PART NUMBER
ZW218: CHECK VALVE, CLASS 150, FLANGED X FLANGED	
1-1/4"	114-ZW218TH
1-1/2"	112-ZW218
2"	2-ZW218
2-1/2"	212-ZW218
3"	3-ZW218
4"	4-ZW218
6"	6-ZW218
8"	8-ZW218
10"	10-ZW218
12"	12-ZW218
14"	14-ZW218
16"	16-ZW218
ZW218Y: CHECK VALVE, CLASS 300, FLANGED X FLANGED	
1-1/2"	112-ZW218Y
2"	2-ZW218Y
2-1/2"	212-ZW218Y
3"	3-ZW218Y
4"	4-ZW218Y
6"	6-ZW218Y
8"	8-ZW218Y
10"	10-ZW218Y

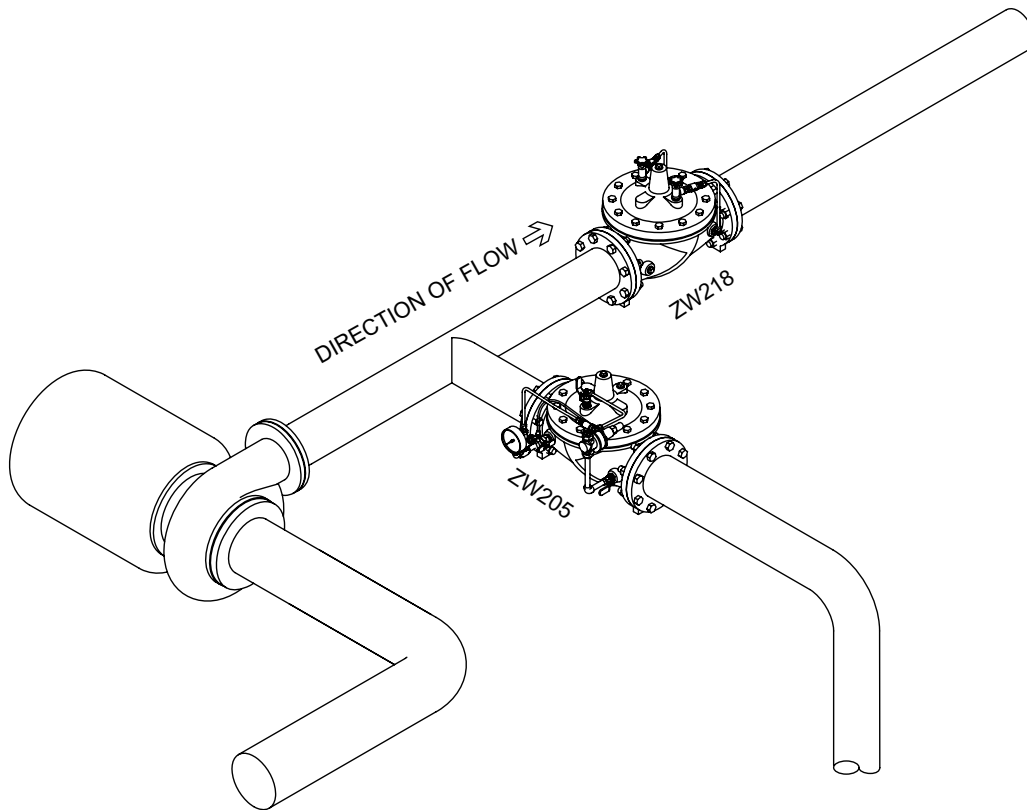
For threaded or grooved end connections and angle body pricing, use Class 150 valve pricing.

For reduced port body pricing, see Options and Accessories on page 79.

APPLICATIONS

In applications that require a slow closing check valve, the ZW218 stands ready to perform.

TYPICAL INSTALLATION



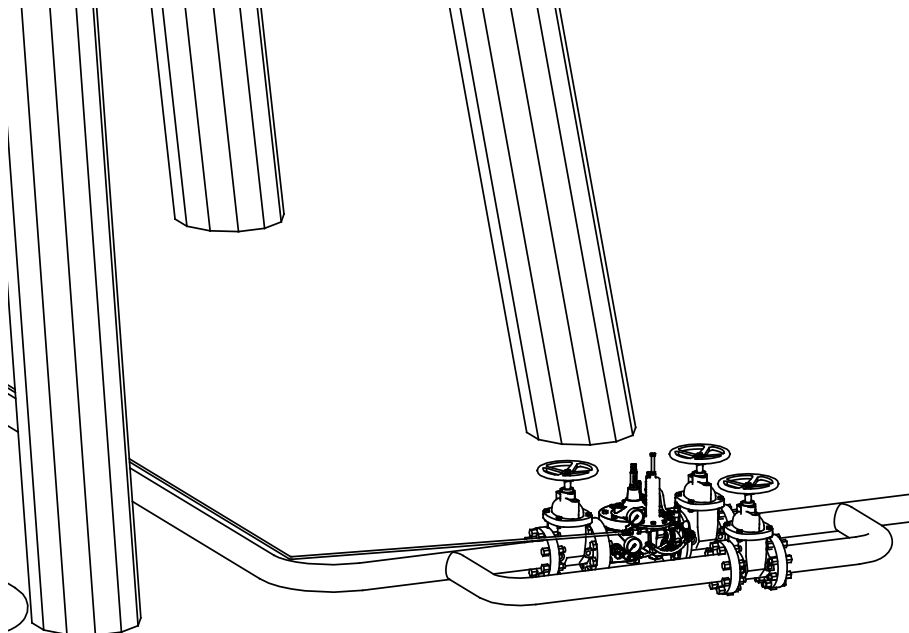
ZW221/ZW222 SERIES – ALTITUDE LEVEL CONTROL VALVES



APPLICATIONS

The ZW221 and ZW222 Altitude Level Control Valves accurately control water level based on relative pressure, without the need for floats and sensors. The ZW221 One Way Altitude Level Control Valve controls water level in a tank or reservoir. The ZW222 Two Way Altitude Level Control Valve controls water level in a tank or reservoir, while also allowing reverse flow, so that only one line is needed to the tank/reservoir. When upstream supply pressure drops below tank pressure, main valve opens, allowing water to flow back upstream.

TYPICAL INSTALLATION



FEATURES

- 1-1/4" - 16"
- Globe, reduced port globe, and angle bodies available
- Pressure rating: 150 Class flanged, 250 psi max; 300 Class flanged or grooved, 400 psi max; threaded, 400 psi max
- 140°F max
- Stainless steel braided hoses on pilotry standard for corrosion resistance
- Epoxy coating standard
- Standard valves come with one set point – the valve opens to fill the tank and will close drip-tight once the high water level is reached
- Adjustment ranges available from 5' to 230'
- "D" Delayed Opening/Dual Set Point Option delays opening of valve until water reaches a lower set point

APPROVALS AND APPLICABLE STANDARDS

- ANSI/AWWA C530
- Certified to NSF/ANSI 61 and 372

IMPORTANT

Completed order form required. Order form can be found on the Resources tab of the product page

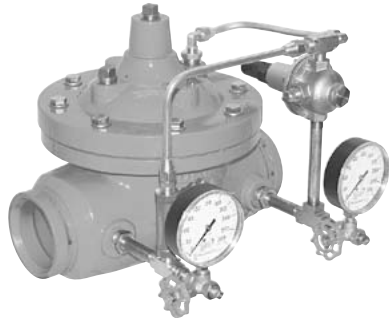
SIZE	LEAD-FREE PART NUMBER
ZW221: ONE WAY ALTITUDE VALVE, CLASS 150, FLANGED X FLANGED	
1-1/4"	114-ZW221TH
1-1/2"	112-ZW221
2"	2-ZW221
2-1/2"	212-ZW221
3"	3-ZW221
4"	4-ZW221
6"	6-ZW221
8"	8-ZW221
10"	10-ZW221
12"	12-ZW221
14"	14-ZW221
16"	16-ZW221
ZW221Y: ONE WAY ALTITUDE VALVE, CLASS 300, FLANGED X FLANGED	
1-1/2"	112-ZW221Y
2"	2-ZW221Y
2-1/2"	212-ZW221Y
3"	3-ZW221Y
4"	4-ZW221Y
6"	6-ZW221Y
8"	8-ZW221Y
10"	10-ZW221Y
12"	12-ZW221Y
14"	14-ZW221Y
16"	16-ZW221Y

SIZE	LEAD-FREE PART NUMBER
ZW222: TWO WAY ALTITUDE VALVE, CLASS 150, FLANGED X FLANGED	
1-1/4"	114-ZW222TH
1-1/2"	112-ZW222
2"	2-ZW222
2-1/2"	212-ZW222
3"	3-ZW222
4"	4-ZW222
6"	6-ZW222
8"	8-ZW222
10"	10-ZW222
12"	12-ZW222
14"	14-ZW222
16"	16-ZW222
ZW222Y: TWO WAY ALTITUDE VALVE, CLASS 300, FLANGED X FLANGED	
1-1/2"	112-ZW222Y
2"	2-ZW222Y
2-1/2"	212-ZW222Y
3"	3-ZW222Y
4"	4-ZW222Y
6"	6-ZW222Y
8"	8-ZW222Y
10"	10-ZW222Y
12"	12-ZW222Y
14"	14-ZW222Y
16"	16-ZW222Y

For threaded or grooved end connections and angle body pricing, use Class 150 valve pricing.

For reduced port body pricing, see Options and Accessories on page 79.

ZW209FP SERIES – FIRE PROTECTION PRESSURE REDUCING VALVE



FEATURES

- 1-1/4" - 10"
- Globe and angle bodies available
- Pressure rating: 300 Class flanged, grooved, or threaded 300 psi max
- Outlet pressure is field adjustable from 30 psi to 165 psi
- 140°F max
- Pressure gauges, wye strainers, and epoxy coating come standard

APPROVALS AND APPLICABLE STANDARDS

- UL and C-UL Listed

IMPORTANT

Completed order form required. Order form can be found on the Resources tab of the product page

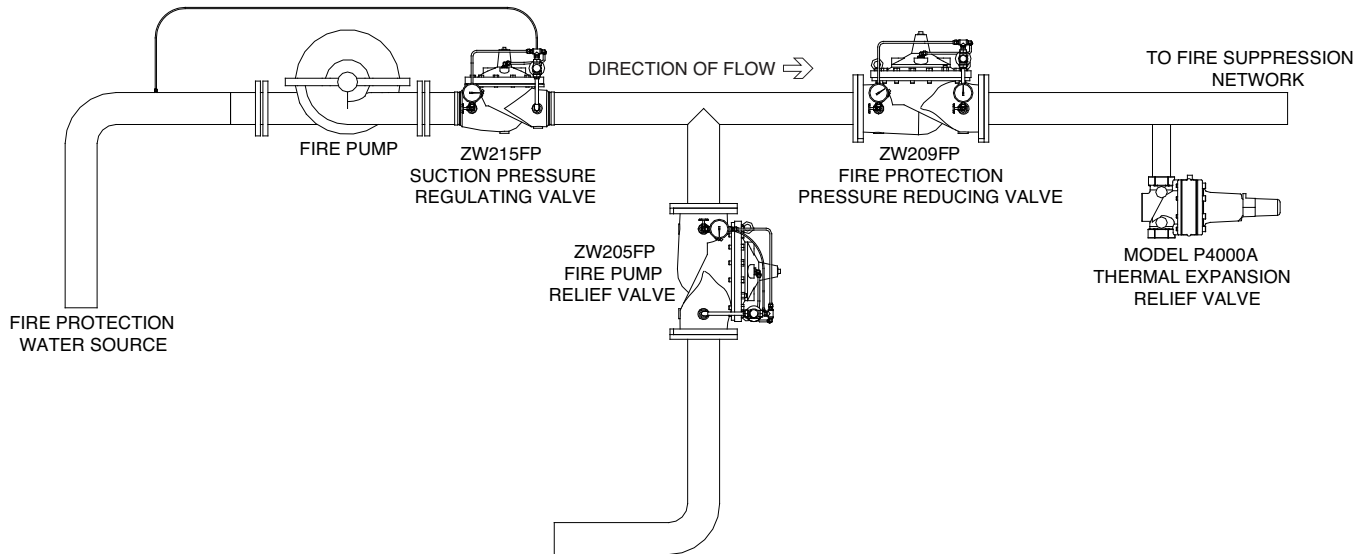
SIZE	LEAD-FREE PART NUMBER
ZW209FP: FIRE PROTECTION PRESSURE REDUCING VALVE, CLASS 300, FLANGED X FLANGED	
1-1/2"	112-ZW209FPY
2"	2-ZW209FPY
2-1/2"	212-ZW209FPY
3"	3-ZW209FPY
4"	4-ZW209FPY
6"	6-ZW209FPY
8"	8-ZW209FPY
10"	10-ZW209FPY
ZW209FPX: FIRE PROTECTION PRESSURE REDUCING VALVE, CLASS 150, FLANGED X FLANGED	
1-1/4"	114-ZW209FPTH
1-1/2"	112-ZW209FPX
2"	2-ZW209FPX
2-1/2"	212-ZW209FPX
3"	3-ZW209FPX
4"	4-ZW209FPX
6"	6-ZW209FPX
8"	8-ZW209FPX
10"	10-ZW209FPX

For threaded or grooved end connections and angle body pricing, use Class 150 valve pricing.

APPLICATIONS

When a Fire Protection System requires a reduction in pressure, the ZW209FP stands ready to perform.

TYPICAL INSTALLATION



ZW205FP SERIES – FIRE PROTECTION PRESSURE RELIEF VALVE



APPLICATIONS

Fire Protection Systems are susceptible to damage when pressure rises above 175 psi. Let the ZW205FP limit the pressure in your Fire Protection System.

FEATURES

- 2" - 10"
- Globe and angle bodies available
- Pressure rating: 150 Class flanged, 250 psi max; 300 Class flanged, grooved, or threaded 300 psi max
- Pilot spring ranges 50 to 200 psi (150 class); 150 to 300 psi (300 class)
- 140°F max
- Inlet pressure gauge, wye strainer, and epoxy coating come standard

APPROVALS AND APPLICABLE STANDARDS

- UL Listed, ULC Listed, and FM® Approved

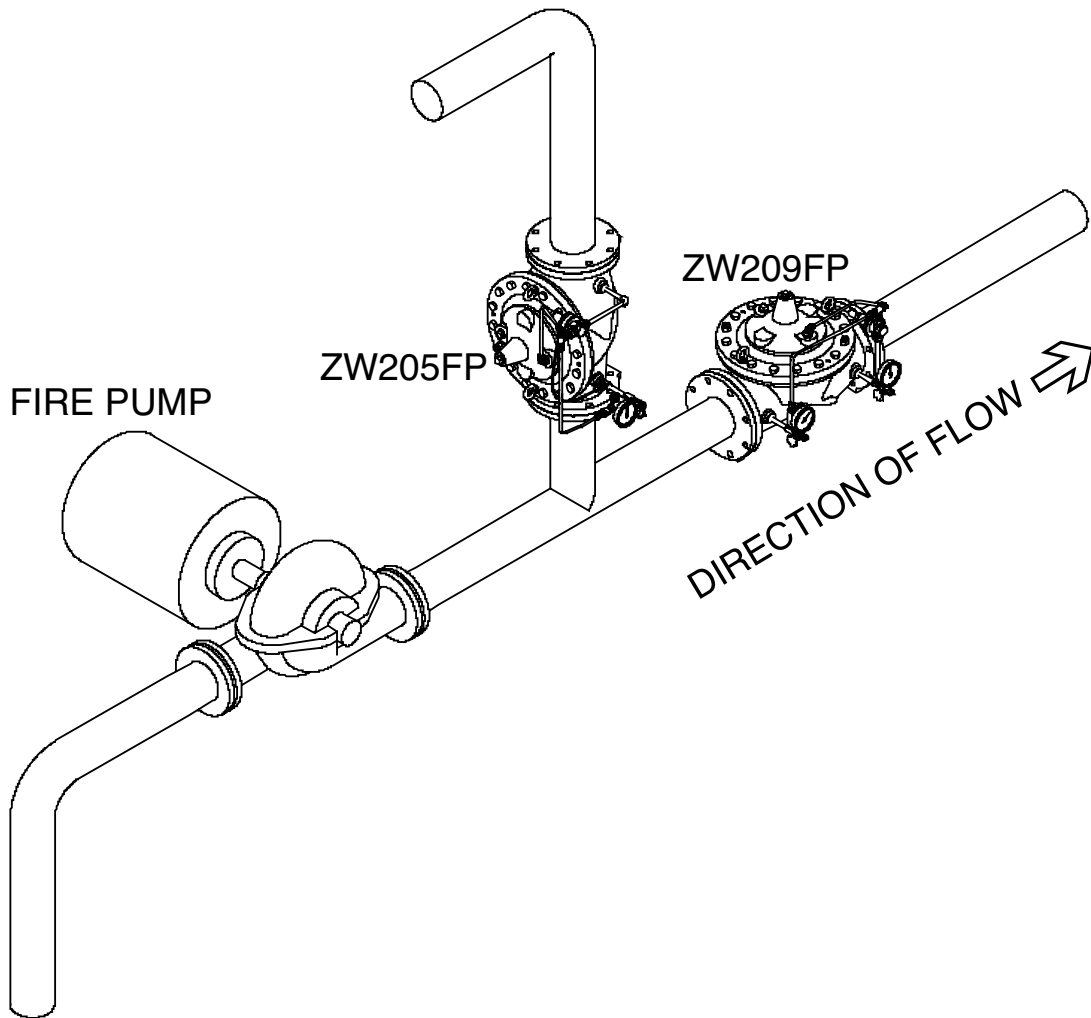
IMPORTANT

Completed order form required. Order form can be found on the Resources tab of the product page

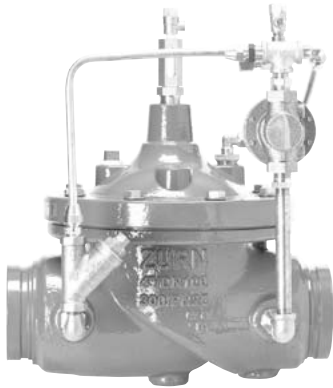
SIZE	LEAD-FREE PART NUMBER
ZW205FP: FIRE PUMP RELIEF VALVE, CLASS 150, FLANGED X FLANGED	
2"	2-ZW205FP
2-1/2"	212-ZW205FP
3"	3-ZW205FP
4"	4-ZW205FP
6"	6-ZW205FP
8"	8-ZW205FP
10"	10-ZW205FP
ZW205FPY: FIRE PUMP RELIEF VALVE, CLASS 300, FLANGED X FLANGED	
2"	2-ZW205FPY
2-1/2"	212-ZW205FPY
3"	3-ZW205FPY
4"	4-ZW205FPY
6"	6-ZW205FPY
8"	8-ZW205FPY
10"	10-ZW205FPY

For threaded or grooved end connections and angle body pricing, use Class 150 valve pricing.

TYPICAL INSTALLATION



ZW215FP SERIES – FIRE PUMP SUCTION CONTROL VALVE



APPLICATIONS

The ZW215FP controls the suction pressure to a Fire Pump, preventing cavitation and potential backflow conditions.

FEATURES

- 2" - 10"
- Globe and angle bodies available
- Pressure rating: 150 Class flanged, 250 psi max; 300 Class flanged, grooved, or threaded 300 psi max
- Pilot Spring Range 10-30 psi
- 140°F max
- Wye strainer and epoxy coating come standard

APPROVALS AND APPLICABLE STANDARDS

- FM® Approved

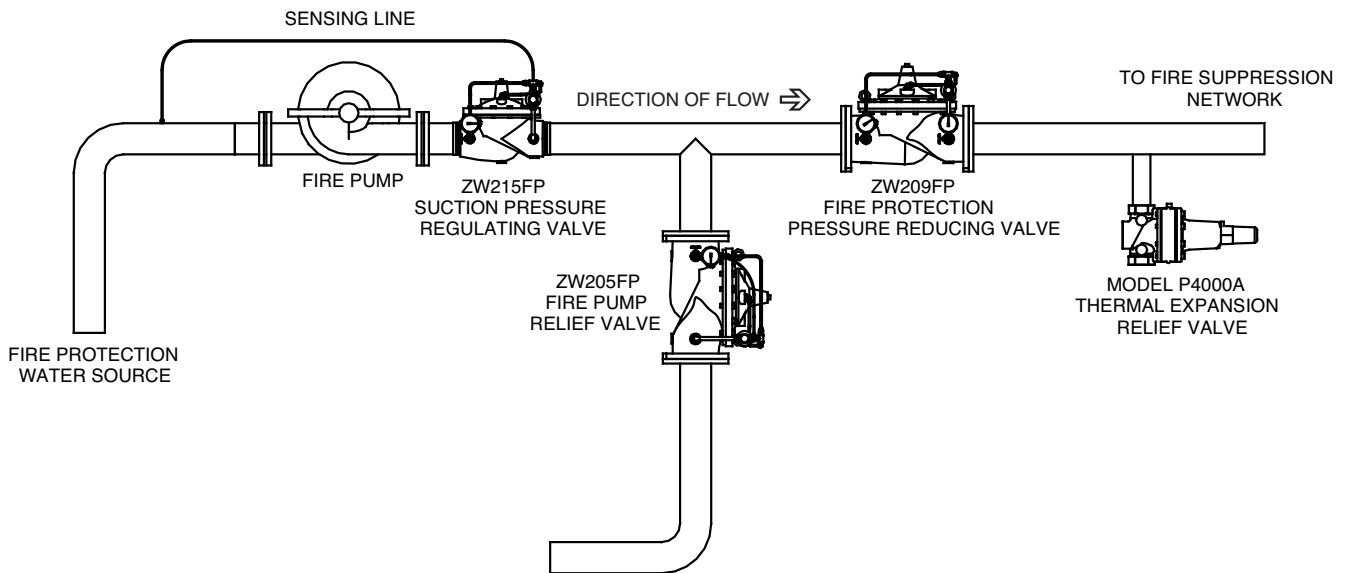
IMPORTANT

Completed order form required. Order form can be found on the Resources tab of the product page

SIZE	LEAD-FREE PART NUMBER
ZW215FP: FIRE PUMP SUCTION CONTROL VALVE, CLASS 150, FLANGED X FLANGED	
2"	2-ZW215FP
2-1/2"	212-ZW215FP
3"	3-ZW215FP
4"	4-ZW215FP
6"	6-ZW215FP
8"	8-ZW215FP
10"	10-ZW215FP
ZW215FPY: FIRE PUMP SUCTION CONTROL VALVE, CLASS 300, FLANGED X FLANGED	
2"	2-ZW215FPY
2-1/2"	212-ZW215FPY
3"	3-ZW215FPY
4"	4-ZW215FPY
6"	6-ZW215FPY
8"	8-ZW215FPY
10"	10-ZW215FPY

For threaded or grooved end connections and angle body pricing, use Class 150 valve pricing.

TYPICAL INSTALLATION



AUTOMATIC CONTROL VALVE OPTIONS AND ACCESSORIES

See main valve product specification sheets for details and available options.

SIZE	DESCRIPTION, INLET X OUTLET CONNECTIONS, OPTIONS	PURCHASED WITH VALVE	PURCHASED INDIVIDUALLY
		PART NUMBER	PART NUMBER
1-1/4" - 3"	Threaded End Connections	TH Suffix	-
1-1/4" - 16"	Grooved End Connections	G Suffix	-
1-1/4" - 10"	Angle Body Valve	A Suffix	-
3"	Reduced Port Body (3" body with 2" internals)	R Suffix	-
4"	Reduced Port Body (4" body with 3" internals)	R Suffix	-
6"	Reduced Port Body (6" body with 4" internals)	R Suffix	-
8"	Reduced Port Body (8" body with 6" internals)	R Suffix	-
10"	Reduced Port Body (10" body with 8" internals)	R Suffix	-
1-1/4" - 16"	Check Valve with Isolation Valve	C Option	-
1-1/4" - 16"	Atmospheric Drain	F Option	-
1-1/4" - 16"	Liquid Filled Gauges	GL Option	-
1-1/4" - 16"	Pressure Sustaining Pilot	H Option	-
1-1/4" - 16"	Closing Speed Control	L Option	-
1-1/4" - 16"	Opening Speed Control	O Option	-
1-1/4" - 16"	Pilotry on Reverse Side	RV Option	-
1-1/4" - 16"	Stainless Braided Hoses	SH Option	-
1-1/4" - 16"	Stainless Pilotry; Pilot, Tubing, and Fittings	SP Option	-
1-1/4" - 16"	Independent Operating Pressure	W Option	-
1-1/4" - 2-1/2"	Viton Rubber Internals, 180 °F, Diaphragm, Seal Ring, O-rings, main valve and pilot	V Option	-
3"	Viton Rubber Internals, 180 °F, Diaphragm, Seal Ring, O-rings, main valve and pilot	V Option	-
4"	Viton Rubber Internals, 180 °F, Diaphragm, Seal Ring, O-rings, main valve and pilot	V Option	-
1-1/4" - 3"	Digital Position Indicator	Z3 Option	114-3-ZPI3
4" - 6"	Digital Position Indicator	Z3 Option	4-6-ZPI3
8" - 16"	Digital Position Indicator	Z3 Option	8-16-ZPI3
1-1/4" - 2-1/2"	Limit Switch - single switch that triggers when the valve is open	SO Option	114-212-SW1-0
3"	Limit Switch - single switch that triggers when the valve is open	SO Option	3-SW1-0
4" - 6"	Limit Switch - single switch that triggers when the valve is open	SO Option	4-6-SW1-0
8" - 12"	Limit Switch - single switch that triggers when the valve is open	SO Option	8-12-SW1-0
14" - 16"	Limit Switch - single switch that triggers when the valve is open	SO Option	14-16-SW1-0
1-1/4" - 2-1/2"	Limit Switch - single switch that triggers when the valve is closed	SC Option	114-212-SW1-C
3"	Limit Switch - single switch that triggers when the valve is closed	SC Option	3-SW1-C
4" - 6"	Limit Switch - single switch that triggers when the valve is closed	SC Option	4-6-SW1-C
8" - 10"	Limit Switch - single switch that triggers when the valve is closed	SC Option	8-10-SW1-C
12" - 16"	Limit Switch - single switch that triggers when the valve is closed	SC Option	12-16-SW1-C
1-1/4" - 2-1/2"	Limit Switch - dual switches one triggers open, one triggers closed	SD Option	114-212-SW2
3"	Limit Switch - dual switches one triggers open, one triggers closed	SD Option	3-SW2
4"	Limit Switch - dual switches one triggers open, one triggers closed	SD Option	4-SW2
6"	Limit Switch - dual switches one triggers open, one triggers closed	SD Option	6-SW2
8" - 10"	Limit Switch - dual switches one triggers open, one triggers closed	SD Option	8-10-SW2
12" - 16"	Limit Switch - dual switches one triggers open, one triggers closed	SD Option	12-16-SW2

BACKFLOW PREVENTERS
BACKFLOW PREVENTERS ACCESSORIES
STRAINERS
AUTOMATIC CONTROL VALVES
PRESSURE REDUCING VALVES
PROTECTION VALVES
FIRE
THERMOSTATIC MIXING VALVES
RELIEF VALVES
MISCELLANEOUS PLUMBING PRODUCTS
REPAIR KITS

AUTOMATIC CONTROL VALVE OPTIONS AND ACCESSORIES

See main valve product specification sheets for details and available options.

SIZE	DESCRIPTION, INLET X OUTLET CONNECTIONS, OPTIONS	PURCHASED WITH VALVE		PURCHASED INDIVIDUALLY	
		PART NUMBER	PART NUMBER	PART NUMBER	PART NUMBER
1-1/4" - 6"	Pressure Gauge, 2-1/2" Dial, 0 - 300psi, 1/8" MNPT	-	-	2006-25BP-300	
1-1/4" - 4"	Pressure Gauge, 2-1/2" Dial, 0 - 300psi, 1/4" MNPT	-	-	2004-25-300	
6" - 16"	Pressure Gauge, 3 1/2" Dial, 0 - 300psi, 1/4" MNPT	-	-	2010-25-300	
1-1/4" - 10"	Pressure Gauge, UL/FM Listed, 3 1/2" Dial, 0 - 300psi, 1/4" MNPT	-	-	2005-25UL	
1-1/4" - 6"	Pressure Gauge, Liquid Filled, 2-1/2" Dial, 0 - 300psi, 1/8" MNPT	-	-	2006-25LBP-300	
1-1/4" - 16"	Pressure Gauge, Liquid Filled, 2-1/2" Dial, 0 - 300psi, 1/4" MNPT	-	-	2004-25L-300	
1-1/4" - 10"	Pilot ZW209 Pressure Reducing, 15-150psi, 1/2" FNPT	-	-	12-NR3XLHRSCDULU	
1-1/4" - 16"	Pilot ZW209 Pressure Reducing, 15-150psi, 3/8" FNPT	-	-	38-PRXL	
1-1/4" - 6"	Pilot ZW209HP Pressure Reducing, 30-300psi, 3/8" FNPT	-	-	38-PV-PRD-300	
8" - 16"	Pilot ZW209HP Pressure Reducing, 30-300psi, 1/2" FNPT	-	-	12-PV-PRD-300	
1-1/4" - 6"	Pilot ZW209FP Pressure Reducing, 50-175psi, 3/8" FNPT	-	-	38-PV-PRD-175	
8" - 10"	Pilot ZW209FP Pressure Reducing, 50-175psi, 1/2" FNPT	-	-	12-PV-PRD-175	
1-1/4" - 16"	Pilot ZW205/205FP Relief Valve, 50-200psi, 1/2" FNPT	-	-	12-PV-RLF-200	
1-1/4" - 16"	Pilot ZW205/205FP Relief Valve, 150-300psi, 1/2" FNPT	-	-	12-PV-RLF-300	
1-1/4" - 16"	Pilot ZW204 Float Valve, 1/8" FNPT	-	-	PV-FNM	
1-1/4" - 16"	Pilot ZW206 Solenoid Valve, 3-Way NO or NC and 24VAC or 120VAC	-	-	PV-SOL3-XX	
1-1/4" - 16"	Pilot ZW206 Solenoid Valve, 3-Way NO or NC and 24VAC or 120VAC with Manual Operator	-	-	PV-SOL3-XXM	

For additional product information, please visit www.zurn.com.

PRESSURE REDUCING VALVES

Wilkins is synonymous with quality in the water pressure reducing valves industry. When you purchase, specify, or install a Wilkins pressure reducing valve you are selecting the most reliable regulator in the industry.

20XL SERIES – PRESSURE REDUCING VALVE	82
NR3XL SERIES – PRESSURE REDUCING VALVE	83
70XL SERIES – PRESSURE REDUCING VALVE	84
500XL3 SERIES – PRESSURE REDUCING VALVE	85
500XL SERIES – PRESSURE REDUCING VALVE	86
500XLYSBR SERIES – PRESSURE REDUCING VALVE	86
510XL SERIES – OPTION FOR 500XL	86
500XLFC SERIES – PRESSURE REDUCING VALVE	87
510XLFC SERIES – OPTION FOR 500XLFC	87
600XL3 SERIES – PRESSURE REDUCING VALVE	88
625XL3 SERIES – OPTION FOR 600XL3	88
600XL SERIES – PRESSURE REDUCING VALVE	89
610XL SERIES – OPTION FOR 600XL	89
625XL SERIES – OPTION FOR 600XL	89
WATER PRESSURE REDUCING VALVE ACCESSORIES	90
TPKXL SERIES – TAILPIECE KITS	90
25 SERIES – PRESSURE GAUGES	91

20XL SERIES – PRESSURE REDUCING VALVE



3/4" 20XL



3/4" 20XLEPEX

APPLICATIONS

With a short lay length and smaller design, the 20XL Pressure Reducing Valve is ideal for tight spaces or retrofits. Its universal connection options ease installation time and minimize the potential for leaks.

FEATURES

- 3/4", 1"
- Pressure rated 300 psi
- Spring range 25 to 75 psi
- Factory set at 50 psi
- 140°F max
- Composite cartridge and bell housing deliver superior strength and corrosion resistance
- Short lay length and smaller design makes this valve ideal for tight spaces or retrofits
- Multiple connection options include threaded, copper sweat, integral expansion PEX and integral crimp PEX

APPROVALS AND APPLICABLE SPECIFICATIONS

- ASSE® Listed 1003, cUPC® Listed, CSA® Certified
- Certified to NSF/ANSI/CAN 61 and 372

SIZE	LEAD-FREE PART NUMBER
20XL: FNPT UNION X FNPT	
3/4"	34-20XL
1"	1-20XL
20XLC: FEMALE CU SWT UNION X FNPT	
3/4"	34-20XLC
1"	1-20XLC
20XLDU: DOUBLE UNION FNPT	
3/4"	34-20XLDU
1"	1-20XLDU
20XLDUC: DOUBLE UNION FEMAL CU SWT	
3/4"	34-20XLDUC
1"	1-20XLDUC
20XLDULU: FNPT X FNPT, LESS UNION NUT & TAILPIECE	
3/4"	34-20XLDULU
1"	1-20XLDULU
20XLEPEX: INTEGRAL EXPANSION PEX	
3/4"	34-20XLEPEX
1"	1-20XLEPEX
20XLEPEX: INTEGRAL CRIMP PEX	
3/4"	34-20XLEPEX
1"	1-20XLEPEX

OPTIONS AND LIST PRICE ADDERS:

20XL SERIES SPACERS

FNPT X FNPT, 20XL SERIES SPACER KIT

3/4" SPK34-20XL

1" SPK1-20XL

FEMALE CU SWT X FEMALE CU SWT, 20XL SERIES SPACER KIT

3/4" SPK34-20XLC

1" SPK1-20XLC

RETROFIT KIT: ORDER AND INSTALL WITH 20XLDULU TO REPLACE EXISTING PRV (SINGLE AND DOUBLE UNION UNLESS NOTED)

3/4" NR3XL, NR3, BR4 RFK34-NR3-20XL

1" NR3XL, NR3, BR4 RFK1-NR3-20XL

3/4" 70XL, 70 RFK34-70-20XL

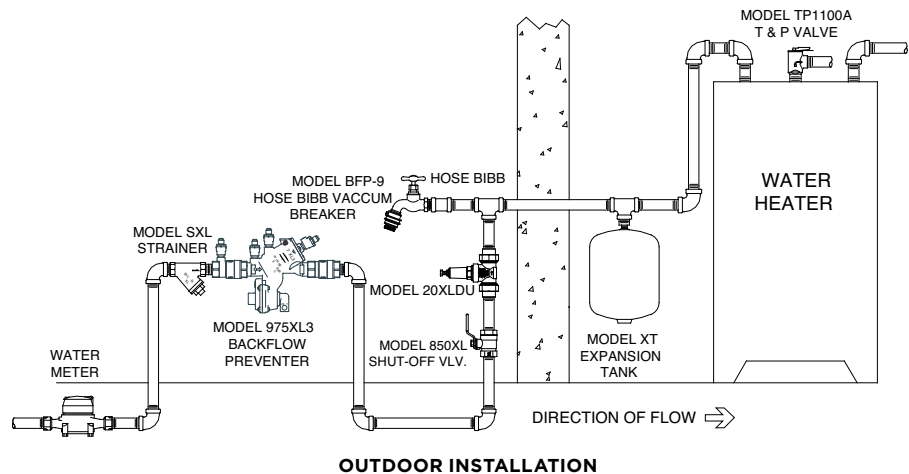
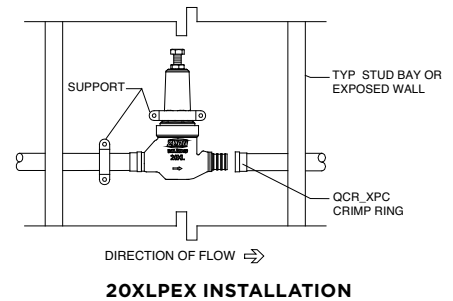
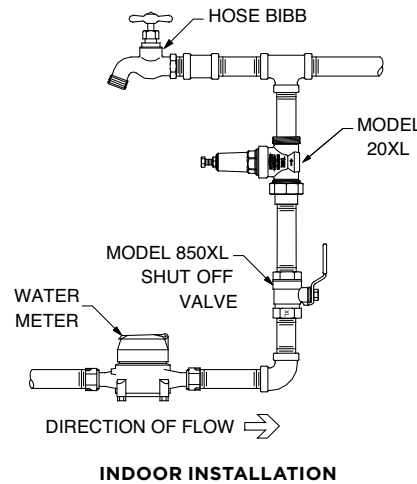
(Single Union only)

3/4" 70XL, 70 RFK34-70DU-20XL

(Double Union only)

1" 70XL, 70 RFK-70-20XL

TYPICAL INSTALLATION



NR3XL SERIES – PRESSURE REDUCING VALVE



APPLICATIONS

With its corrosion resistant plastic cartridge and ease of repair, the NR3XL is the perfect Pressure Reducing Valve for residential applications.

FEATURES

- 1/2" - 2"
- Pressure rated 400 psi (1/2" – 1-1/4"), 300 psi (1-1/2", 2")
- Spring range 15 to 75 psi (1/2" – 1-1/4"), 25 to 75 psi (1-1/2", 2")
- Factory set at 50 psi
- 140°F max
- Replaceable acetal cartridge with integral stainless steel strainer
- Short lay length makes for easy retrofit

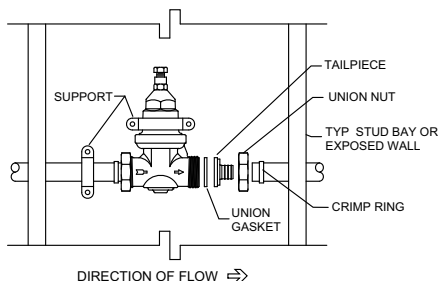
APPROVALS AND APPLICABLE SPECIFICATIONS

- ASSE® Listed 1003, cUPC® Listed, CSA® Certified
- Certified to NSF/ANSI/CAN 61 and 372

ACCESSORIES

- Special plastic spacer nipple for use with 1/2", 3/4" and 1-1/4" NR3XL double union regulators (Model NR3XLDUSPC)
- Special spacer nipple for use with 1" NR3XL double union regulators (Model 70XLDUSPC)
- Thermal expansion tank (Model XT)

TYPICAL INSTALLATION



For Installation Drawing Please See Page Number 91

SIZE	LEAD-FREE PART NUMBER
NR3XL: FNPT UNION X FNPT	
1/2"	12-NR3XL
3/4"	34-NR3XL
1"	1-NR3XL
1-1/4"	114-NR3XL
1-1/2"	112-NR3XL
2"	2-NR3XL
NR3XLDU: DOUBLE UNION FNPT	
1/2"	12-NR3XLDU
3/4"	34-NR3XLDU
1"	1-NR3XLDU
1-1/4"	114-NR3XLDU
1-1/2"	112-NR3XLDU
2"	2-NR3XLDU
NR3XLDULU: FNPT X FNPT, LESS UNION NUT & TAILPIECE	
1/2"	12-NR3XLDULU
3/4"	34-NR3XLDULU
1"	1-NR3XLDULU
1-1/4"	114-NR3XLDULU
1-1/2"	112-NR3XLDULU
2"	2-NR3XLDULU
NR3XLC: FEMALE CU SWT UNION X FNPT	
1/2"	12-NR3XLC
3/4"	34-NR3XLC
1"	1-NR3XLC
1-1/4"	114-NR3XLC
1-1/2"	112-NR3XLC
2"	2-NR3XLC
NR3XLDUC: DOUBLE UNION FEMALE CU SWT	
1/2"	12-NR3XLDUC
3/4"	34-NR3XLDUC
1"	1-NR3XLDUC
1-1/4"	114-NR3XLDUC
1-1/2"	112-NR3XLDUC
2"	2-NR3XLDUC
NR3XLDUCPVC: DOUBLE UNION CPVC	
3/4"	34-NR3XLDUCPVC
1"	1-NR3XLDUCPVC
NR3XLPEX: PEX UNION X FNPT	
3/4"	34-NR3XLPEX
1"	1-NR3XLPEX
NR3XLF1960: EXPANSION PEX UNION X FNPT	
3/4"	34-NR3XLF1960
1"	1-NR3XLF1960
NR3XLDUPEX: DOUBLE UNION PEX	
3/4"	34-NR3XLDUPEX
1"	1-NR3XLDUPEX
NR3XLDUPEXF1960: DOUBLE UNION EXPANSION PEX	
3/4"	34-NR3XLDUPEXF1960
1"	1-NR3XLDUPEXF1960
NR3XLDUCPEX: FEMALE CU SWT UNION X PEX UNION	
3/4"	34-NR3XLDUCPEX
1"	1-NR3XLDUCPEX
NR3XLDM: DOUBLE MALE METER THD	
3/4"	34-NR3XLDM
1"	1-NR3XLDM
NR3XLHRSCDUBPK: BY-PASS KIT FOR 500FCBP, HRSC OPTION, DOUBLE UNION FNPT, STREET ELBOWS	
3/4"	34-NR3XLHRSCDUBPK

OPTIONS AND LIST PRICE ADDERS:

PLUG (P) OPTION: TAPPED AND PLUGGED (E.G. 34-NR3P, 2-NR3XLP)

1/2" - 2" P Suffix

GAUGE (G) OPTION: TAPPED AND PLUGGED WITH GAUGE

1/2" - 2" G Suffix

SEALED CAGE (SC) OPTION WITH SS ADJ SCREW. FOR BELOW GRADE AND METER BOX APPLICATIONS (E.G. 34-NR3XLS)

1/2" - 2" SC Suffix

HIGH RANGE / SEALED CAGE (HRSC) OPTION WITH SS ADJ SCREW: 15-150PSI, SET TO 50 PSI (E.G. NR3XLHRSC)

1/2" - 1-1/4" HRSC Suffix

EXPANSION CONTROL (EC) OPTION: 100 PSI RELIEF VALVE FOR THERMAL EXPANSION CONTROL (E.G. 34-NR3XLEC)

1/2" - 1" EC Suffix

NR3XL SERIES SPACERS

FNPT X FNPT, NR3XL SERIES SPACER KIT

3/4" SPK34-NR3

1-1/4" SPK114-NR3

1-1/2" SPK112-NR3

2" SPK2-NR3

FEMALE CU SWT X FEMALE CU SWT, NR3XL SERIES SPACER KIT

3/4" SPK34-NR3C

1-1/4" SPK114-NR3C

1-1/2" SPK112-NR3C

2" SPK2-NR3C

CPVC X CPVC, NR3XL SERIES SPACER KIT

3/4" SPK34-NR3CPVC

BACKFLOW PREVENTERS

BACKFLOW PREVENTERS ACCESSORIES

STRAINERS

AUTOMATIC CONTROL VALVES

PRESSURE REDUCING VALVES

FIRE PROTECTION VALVES

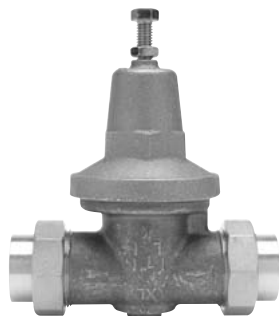
THERMOSTATIC MIXING VALVES

RELIEF VALVES

MISCELLANEOUS PLUMBING PRODUCTS

REPAIR KITS

70XL SERIES – PRESSURE REDUCING VALVE



APPLICATIONS

The model 70XL has been providing residential and commercial customers with ruggedness and ease of repair for over 40 years.

FEATURES

- 3/4" - 1"
- 300 psi max
- Spring range 25 to 75 psi; factory set at 50 psi
- 140°F max
- All bronze body and bell housing provides durability and long life
- Corrosion-resistant, replaceable cartridge with integral stainless steel strainer

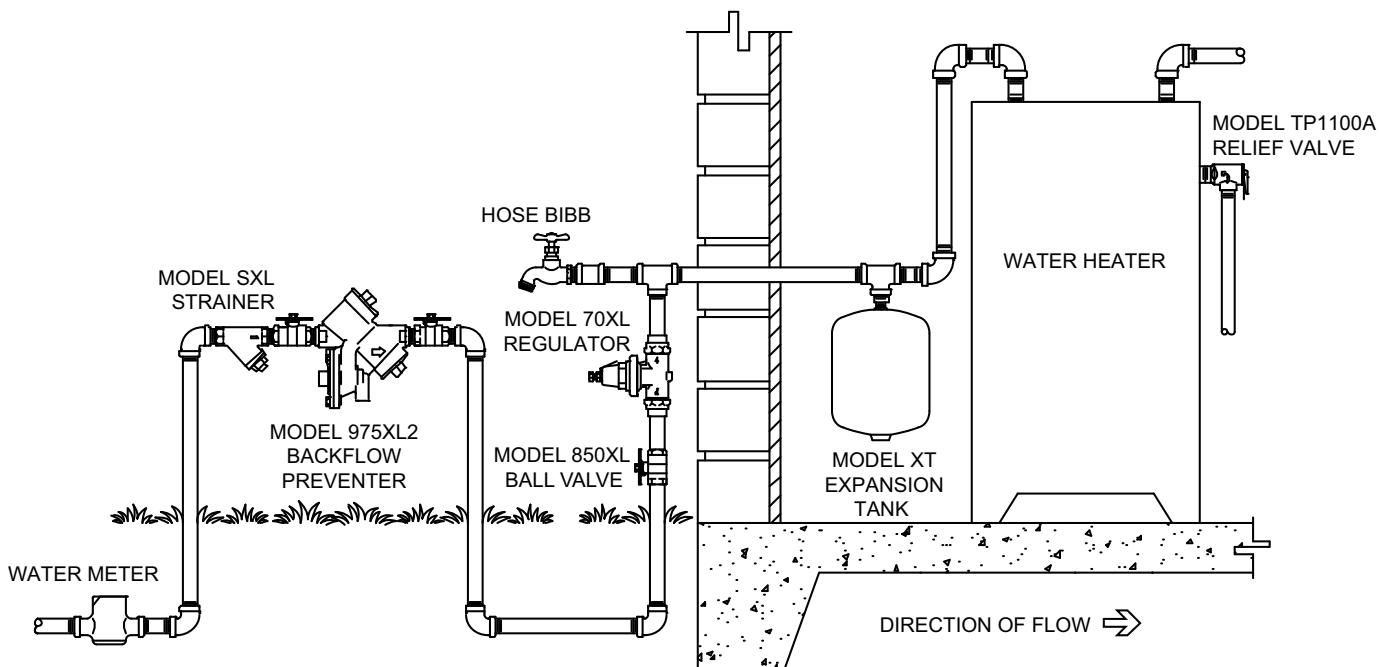
APPROVALS AND APPLICABLE SPECIFICATIONS

- ASSE® Listed 1003, cUPC® Listed, CSA® Certified, City of Los Angeles Approved
- Certified to NSF/ANSI/CAN 61 and 372

ACCESSORIES

- Special plastic spacer nipple for use with 70XL series double union regulators (Model 70XLDUSPC)
- Thermal expansion tank (Model XT)

TYPICAL INSTALLATION



SIZE	LEAD-FREE PART NUMBER
70XL: FNPT UNION X FNPT	
3/4"	34-70XL
1"	1-70XL
70XLDU: DOUBLE UNION FNPT	
3/4"	34-70XLDU
1"	1-70XLDU
70XLDULU: DOUBLE UNION, LESS UNION NUT & TAILPIECE	
3/4"	34-70XLDULU
1"	1-70XLDULU
70XLC: FEMALE CU SWT UNION X FNPT	
3/4"	34-70XLC
1"	1-70XLC
70XLDUC: DOUBLE UNION FEMALE CU SWT	
3/4"	34-70XLDUC
1"	1-70XLDUC
70XLPEX: PEX UNION X FNPT	
3/4"	34-70XLPEX
1"	1-70XLPEX
70XLDUPEX: DOUBLE UNION PEX	
3/4"	34-70XLDUPEX
1"	1-70XLDUPEX
70XLDM: DOUBLE MALE METER THREADS	
3/4"	34-70XLDM

OPTIONS AND LIST PRICE ADDERS:

PLUG (P) OPTION: TAPPED AND PLUGGED (E.G. 34-70XLP)

3/4" - 1" P Suffix

GAUGE (G) OPTION: TAPPED AND PLUGGED WITH GAUGE

3/4" - 1" G Suffix

SEALED CAGE (SC) OPTION WITH SS ADJ SCREW. FOR BELOW GRADE AND METER BOX APPLICATIONS (E.G. 34-70XLS)

3/4" - 1" SC Suffix

70XL SERIES SPACERS

FNPT X FNPT, 70XL SERIES SPACER KIT

3/4" SPK34-70

1" SPK1-70

FEMALE CU SWT X FEMALE CU SWT, 70XL SERIES SPACER KIT

3/4" SPK34-70C

1" SPK1-70C

MALE CU SWT X MALE CU SWT, 70XL SERIES SPACER KIT

1" SPK1-70CM

FEMALE CU SWT X MALE CU SWT, 70XL SERIES SPACER KIT

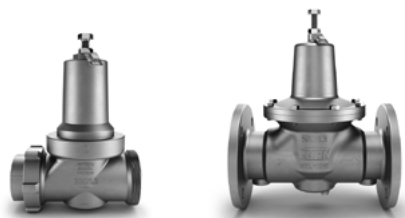
1" SPK1-70CXM

SPACER ONLY, 70XL SERIES

3/4" 34-70DUSPC

1" 1-70DUSPC

500XL3 SERIES – PRESSURE REDUCING VALVE



2" 500XL3

3" 500XL3F

APPLICATIONS

Designed for installation on potable water lines to reduce high inlet pressure to a lower outlet pressure. The patented integral venturi enables the 500XL3 to have best-in-class flow performance. The high flow capacity makes this device most suitable for commercial plumbing systems and industrial water lines.

FEATURES

- 1" - 4"
- Spring range 15 to 75 psi
- 400 psi max
- 140°F max
- All bronze body and bell housing provides durability and long life
- Tapped and plugged standard on all valves – provides ease to add downstream gauge
- Stainless steel stem and composite cartridge internals resist corrosion to extend lifespan
- Stainless steel fasteners withstand heavy wear and harsh environments

APPROVALS AND APPLICABLE SPECIFICATIONS

- ASSE® Listed 1003, cUPC® Listed, CSA® Certified
- Certified to NSF/ANSI 61 /CAN 61 & 372

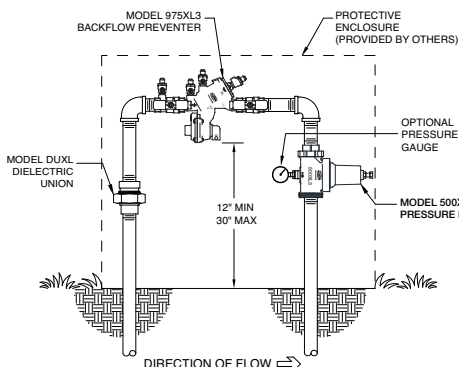
ACCESSORIES

- Thermal expansion tank (Model XT)
- Model 500XL3Y available with strainer
- Integral Low Flow Bypass Kit 2-1/2" or 3" (1-500XL3BPK or 1-500XL3HRBPK)

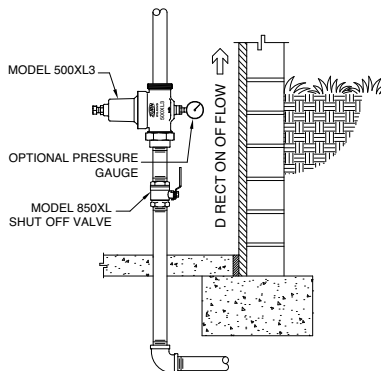
SIZE	LEAD-FREE PART NUMBER
500XL3: FNPT UNION X FNPT	
1"	1-500XL3
1-1/4"	114-500XL3
1-1/2"	112-500XL3
2"	2-500XL3
500XL3: FNPT X FNPT	
2-1/2"	212-500XL3
3"	3-500XL3
500XL3C: COPPER SWEAT UNION X FNPT	
1"	1-500XL3C
1-1/4"	114-500XL3C
1-1/2"	112-500XL3C
2"	2-500XL3C
500XL3DU: FNPT UNION X FNPT UNION	
1"	1-500XL3DU
1-1/4"	114-500XL3DU
1-1/2"	112-500XL3DU
2"	2-500XL3DU
500XL3DUC: COPPER SWEAT UNION X COPPER SWEAT UNION	
1"	1-500XL3DUC
1-1/4"	114-500XL3DUC
1-1/2"	112-500XL3DUC
2"	2-500XL3DUC
500XL3F: CLASS 150# FLANGED X FLANGED	
2-1/2"	212-500XL3F
3"	3-500XL3F
4"	4-500XL3F
500XL3FY: CLASS 150# FLANGED X FLANGED, IN-LINE DUCTLIE IRON WYE TYPE STRAINER	
2-1/2"	212-500XL3FY
3"	3-500XL3FY
4"	4-500XL3FY
500XL3Y: FNPT UNION X FNPT, IN-LINE BRONZE WYE TYPE STRAINER	
1"	1-500XL3Y
1-1/4"	114-500XL3Y
1-1/2"	112-500XL3Y
2"	2-500XL3Y
500XL3Y: FNPT X FNPT, IN-LINE WYE TYPE STRAINER	
2-1/2"	212-500XL3Y
3"	3-500XL3Y

500XL3FBP: CLASS 150# FLANGED X FLANGED, TAPPED FOR LOW FLOW BYPASS	
2-1/2"	212-500XL3FBP
3"	3-500XL3FBP
4"	4-500XL3F
500XL3HR: FNPT UNION X FNPT, HIGH RANGE PRESSURE (HR) OPTION: 60-125 PSI, FIELD SET	
1"	1-500XL3HR
1-1/4"	114-500XL3HR
1-1/2"	112-500XL3HR
2"	2-500XL3HR
500XL3HR: FNPT X FNPT, HIGH RANGE PRESSURE (HR) OPTION: 60-125 PSI, FIELD SET	
2-1/2"	212-500XL3HR
3"	3-500XL3HR
500XL3FHR: CLASS 150# FLANGED X FLANGED, HIGH RANGE PRESSURE (HR) OPTION: 60-125 PSI, FIELD SET	
2-1/2"	212-500XL3FHR
3"	3-500XL3FHR
4"	4-500XL3FHR
500XL3HRY: SINGLE UNION FNPT X FNPT HIGH RANGE PRESSURE (HR) OPTION: 60-125 PSI, FIELD SET, IN-LINE WYE TYPE STRAINER	
1-1/4"	114-500XL3HRY
1-1/2"	112-500XL3HRY
2"	2-500XL3HRY
500XL3HRY: FNPT X FNPT, HIGH RANGE PRESSURE (HR) OPTION: 60-125 PSI, FIELD SET, IN-LINE WYE	
2-1/2"	212-500XL3HRY
3"	3-500XL3HRY
500XL3FHRY: CLASS 150# FLANGED X FLANGED, HIGH RANGE PRESSURE (HR) OPTION: 60-125 PSI, FIELD SET, IN-LINE DUCTLIE IRON WYE TYPE STRAINER	
2-1/2"	212-500XL3FHRY
3"	3-500XL3FHRY
4"	4-500XL3FHRY
GAUGE (G) OPTION: WITH GAUGE IN BOX (E.G. 1-500XL3G)	
1" - 4"	

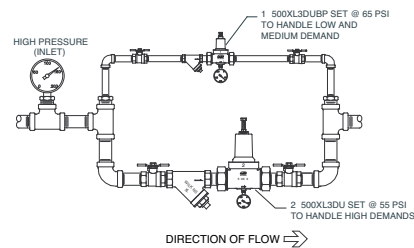
TYPICAL INSTALLATION



TYPICAL INSTALLATION



VERTICAL INSTALLATION



PARALLEL INSTALLATION

500XL SERIES – PRESSURE REDUCING VALVE



APPLICATIONS

High flow rates and low fall-off are the hallmark of the 500XL series. Perfect for your commercial or industrial pressure reduction applications.

FEATURES

- 1/2" - 3"
- 300 psi max
- Spring range 25 to 75 psi
- 140°F max
- All bronze body and bell housing provides durability and long life
- All internal parts corrosion-resistant

APPROVALS AND APPLICABLE SPECIFICATIONS

- ASSE® Listed 1003 (1/2"-2-1/2"), cUPC® Listed (1/2"-2"), CSA® Certified (1/2"-2"), City of Los Angeles (1/2"-3")
- Certified to NSF/ANSI/CAN 61 and 372

ACCESSORIES

- Thermal expansion tank (Model XT)
- Model 500XLYSBR available with strainer attached

SIZE	LEAD-FREE PART NUMBER
500XL: FNPT UNION X FNPT	
1/2"	12-500XL
3/4"	34-500XL
1"	1-500XL
1-1/4"	114-500XL
1-1/2"	112-500XL
2"	2-500XL
500XL: FNPT X FNPT	
2-1/2"	212-500XL
3"	3-500XL
500XLC: FEMALE CU SWT UNION X FNPT	
1/2"	12-500XLC
3/4"	34-500XLC
1"	1-500XLC
1-1/4"	114-500XLC
1-1/2"	112-500XLC
2"	2-500XLC
500XLCPVC: CPVC UNION X FNPT	
3/4"	34-500XLCPVC
1"	1-500XLCPVC

500XLYSBR SERIES – PRESSURE REDUCING VALVE

SIZE	LEAD-FREE PART NUMBER
500XLYSBR: FNPT X FNPT, IN-LINE BRONZE "Y" TYPE STRAINER	
1/2"	12-500XLYSBR
3/4"	34-500XLYSBR
1"	1-500XLYSBR
1-1/4"	114-500XLYSBR
1-1/2"	112-500XLYSBR
2"	2-500XLYSBR
2-1/2"	212-500XLYSBR
3"	3-500XLYSBR

See 500XL for Options and List Price adders.

510XL SERIES – OPTION FOR 500XL

SIZE	LEAD-FREE PART NUMBER
510XL: FNPT UNION X FNPT (BUILT-IN BY-PASS 1/2" - 2", SIZES 2-1/2" & 3" LESS UNION). 400 PSI MAX, SPRING RANGE 75-125 PSI. SET TO 85 PSI, 2-1/2" - 3" FIELD SET.	
1/2"	12-510XL
3/4"	34-510XL
1"	1-510XL
1-1/4"	114-510XL
1-1/2"	112-510XL
2"	2-510XL
2-1/2"	212-510XL
3"	3-510XL

510XLC: FEMALE CU SWT UNION X FNPT	
1/2"	12-510XLC
3/4"	34-510XLC
1"	1-510XLC
1-1/4"	114-510XLC
1-1/2"	112-510XLC
2"	2-510XLC

510XLYSBR: FNPT X FNPT, IN-LINE BRONZE "Y" TYPE STRAINER. 400 PSI MAX, SPRING RANGE 75-125 PSI. SET TO 85 PSI, 2-1/2"-3" FIELD SET.	
1/2"	12-510XLYSBR
3/4"	34-510XLYSBR
1"	1-510XLYSBR
1-1/4"	114-510XLYSBR
1-1/2"	112-510XLYSBR
2"	2-510XLYSBR
2-1/2"	212-510XLYSBR
3"	3-510XLYSBR

See Model 500XL for Options and List Price adders.

OPTIONS AND LIST PRICE ADDERS:

PLUG (P) OPTION: TAPPED AND PLUGGED (E.G. 34-500XLP)

1/2" - 3" P Suffix

GAUGE (G) OPTION: TAPPED AND PLUGGED WITH GAUGE (E.G. 34-500XLG)

1/2" - 3" G Suffix

HIGH RANGE PRESSURE (HR) OPTION: 75-125 PSI, SET 85 PSI (E.G. 34-500XLHR)

1/2" - 3" HR Suffix

HIGH-LOW RANGE PRESSURE RANGE (HLR) OPTION: 10-125 PSI, SET 50 PSI (E.G. 34-500XHLR)

1/2" - 3" HLR Suffix

SEALED CAGE (SC) OPTION WITH SS ADJ SCREW. FOR BELOW GRADE AND METER BOX APPLICATIONS (E.G. 34-500XLSC)

1/2" - 3" SC Suffix

HOT WATER SERVICE (HTSTSC) OPTION: HIGH TEMP 180 °F (E.G. 34-500XLHTSTSC)

1/2" - 3" HTSTSC Suffix

LOW RANGE PRESSURE AND HOT WATER SERVICE (LPV) OPTION: 10-35 PSI, SET 20 PSI, HIGH TEMP 180 °F (E.G. 34-500XLLPV)

1/2" - 3" LPV Suffix

CHROME INTERNALS (SW) OPTION FOR SALT WATER (E.G. 34-500XLSW)

1/2" - 3" SW Suffix

LESS INTERNAL BY-PASS (L) OPTION (E.G. 34-500XLL)

1/2" - 2" L Suffix

500XL SERIES – PRESSURE REDUCING VALVE

500XLF SERIES – PRESSURE REDUCING VALVE

SIZE	LEAD-FREE PART NUMBER
500XLF: CLASS 125# FLANGED X FLANGED, FIELD SET. 300 PSI MAX, SPRING RANGE 25-75 PSI.	
2"	2-500XLF
2-1/2"	212-500XLF
3"	3-500XLF

510XLF SERIES – OPTION FOR 500XLF

SIZE	LEAD-FREE PART NUMBER
510XLF: CLASS 125# FLANGED X FLANGED. 400 PSI MAX, SPRING RANGE 75-125 PSI. FIELD SET.	
2"	2-510XLF
2-1/2"	212-510XLF
3"	3-510XLF

See 500XL for Options and List Price adders.

OPTIONS AND LIST PRICE ADDERS:

PLUG FOR GAUGE (P) OPTION: TAPPED AND PLUGGED (E.G. 3-500XLFCP)

2" - 3" P Suffix

GAUGE (G) OPTION: TAPPED AND PLUGGED WITH GAUGE (E.G. 3-500XLFCG)

2" - 3" G Suffix

HIGH RANGE PRESSURE (HR) OPTION: 75-125 PSI, FIELD SET (E.G. 3-500XLFCHR)

2" - 3" HR Suffix

HIGH-LOW RANGE PRESSURE (HLR) OPTION: 10-125 PSI, FIELD SET (E.G. 3-500XLFCHLR)

2" - 3" HLR Suffix

SEALED CAGE (SC) OPTION: FOR BELOW GRADE AND METER BOX APPLICATIONS (E.G. 3-500XLFCSC)

2" - 3" SC Suffix

HOT WATER SERVICE (HTSTSC) OPTION: HIGH TEMP 180 °F (E.G. 3-500XLFCHTSTSC)

2" - 3" HTSTSC Suffix

LOW RANGE PRESSURE AND HOT WATER SERVICE (LPV) OPTION: 10-35 PSI, SET 20 PSI, HI TEMP 180 °F (E.G. 3-500XLFLPV)

2" - 3" LPV Suffix

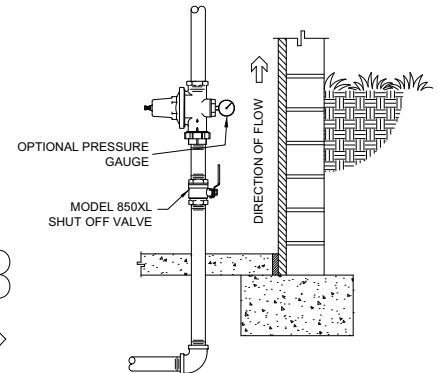
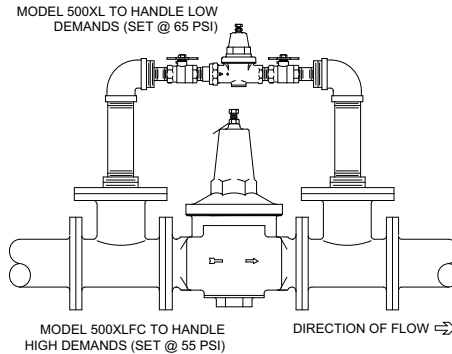
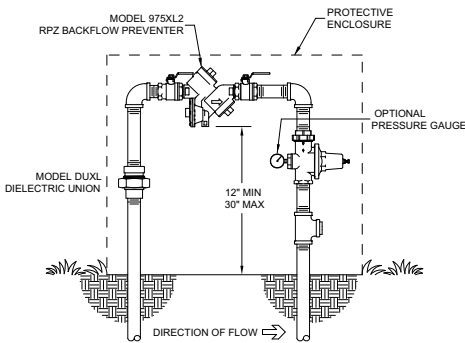
FSC STRAINER (FSC) OPTION WITH BOLT KIT, FLANGED X FLANGED CONNECTION (E.G. 3-500XLFCFSC)

2-1/2" - 3" FSC Suffix

CHROME INTERNALS (SW) OPTION: FLANGED X FLANGED, CHROME INTERNALS FOR SALT WATER (E.G. 3-500XLFCSW)

2" - 3" SW Suffix

TYPICAL INSTALLATION



600XL3 SERIES – PRESSURE REDUCING VALVE



APPLICATIONS

Designed for installation on potable water lines to reduce high inlet pressure to a lower outlet pressure. The venturi technology enables the 600XL3 to have best-in-class flow performance. The high flow capacity makes this device most suitable for commercial plumbing systems and residential water lines. Includes a strainer with separate access port for easy strainer cleanout.

FEATURES

- 3/4" - 2"
- Spring range 15 to 75 psi (60-125 psi High Range Option)
- 400 psi max
- 140°F max
- All bronze body and bell housing provides durability and long life
- Tapped and plugged standard on all valves – provides ease to add downstream gauge
- Stainless steel stem and composite cartridge internals resist corrosion to extend lifespan
- Stainless steel fasteners withstand heavy wear and harsh environments
- 625XL3 versions have the same lay length and connection thread type as competitor valves

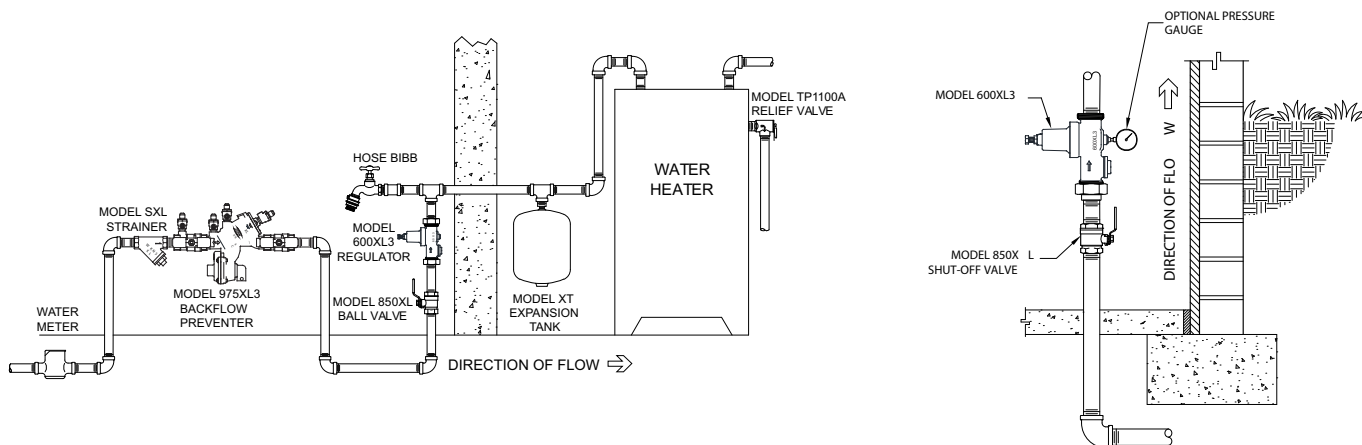
APPROVALS AND APPLICABLE SPECIFICATIONS

- ASSE® Listed 1003, cUPC® Listed, CSA® Certified
- Certified to NSF/ANSI 61/CAN 61 & 372

ACCESSORIES

- Thermal expansion tank (Model XT)

TYPICAL INSTALLATION



SIZE	PART NUMBER
600XL3: FNPT UNION X FNPT	
3/4"	34-600XL3
1"	1-600XL3
1-1/4"	114-600XL3
1-1/2"	112-600XL3
2"	2-600XL3
600XL3C: COPPER SWEAT UNION X FNPT	
3/4"	34-600XL3C
1"	1-600XL3C
1-1/4"	114-600XL3C
1-1/2"	112-600XL3C
2"	2-600XL3C
600XL3 PRV 15-75 PSI SINGLE UNION X FNPT W/ GAUGE	
3/4"	34-600XL3G
1"	1-600XL3G
1-1/4"	114-600XL3G
1-1/2"	112-600XL3G
2"	2-600XL3G
600XL3 PRV DBL METER THREAD 7.5" LONG	
3/4" (15-75 PSI)	34-600XL3DM
3/4" (60-125 PSI)	34-600XL3DMHR
600XL3 PRV 15-75 PSI FEM X FEM NPT LEAD FREE	
3/4"	34-600XL3LU*
600XL3HR: FNPT UNION X FNPT, HIGH RANGE PRESSURE (HR) OPTION: 60-125 PSI, FIELD SET	
3/4"	34-600XL3HR
1"	1-600XL3HR
1-1/4"	114-600XL3HR
1-1/2"	112-600XL3HR
2"	2-600XL3HR
600XL3DU: FNPT UNION X FNPT UNION	
3/4"	34-600XL3DU
1"	1-600XL3DU
1-1/4"	114-600XL3DU
1-1/2"	112-600XL3DU
2"	2-600XL3DU
600XL3DUC: COPPER SWEAT UNION X COPPER SWEAT UNION	
3/4"	34-600XL3DUC
1"	1-600XL3DUC
1-1/4"	114-600XL3DUC
1-1/2"	112-600XL3DUC
2"	2-600XL3DUC

SIZE	PART NUMBER
600XL3 PRV 15-75 PSI LOW FLOW BYPASS DOUBLE UNION TAILPIECES	
1"	1-600XL3DUBP
1-1/2"	112-600XL3DUBP
2"	2-600XL3DUBP

625XL3 SERIES - OPTION FOR 600XL3

SIZE	PART NUMBER
625XL3: FNPT UNION X FNPT	
3/4"	34-625XL3
1"	1-625XL3
1-1/4"	114-625XL3
1-1/2"	112-625XL3
2"	2-625XL3
625XL3C: COPPER SWEAT UNION X FNPT	
3/4"	34-625XL3C
1"	1-625XL3C
1-1/4"	114-625XL3C
1-1/2"	112-625XL3C
2"	2-625XL3C
625XL3 PRV 15-75 PSI SINGLE UNION X FNPT W/ GAUGE	
3/4"	34-625XL3G
1"	1-625XL3G
1-1/4"	114-625XL3G
1-1/2"	112-625XL3G
2"	2-625XL3G
625XL3HR: FNPT UNION X FNPT, HIGH RANGE PRESSURE (HR) OPTION: 60-125 PSI, FIELD SET	
3/4"	34-625XL3HR
1"	1-625XL3HR
1-1/4"	114-625XL3HR
1-1/2"	112-625XL3HR
2"	2-625XL3HR

600XL SERIES – PRESSURE REDUCING VALVE



APPLICATIONS

Sandy, debris laden water systems result in frequent PRV strainer cleanings. The 600XL, with its separate strainer cap allows this task to be completed very rapidly.

FEATURES

- 1/2" - 2"
- Spring range 25 to 75 psi
- 300 psi max
- 140°F max
- All bronze body and bell housing provides durability and long life
- Integral stainless steel strainer with separate access cover

APPROVALS AND APPLICABLE SPECIFICATIONS

- ASSE® Listed 1003, cUPC® Listed, CSA® Certified, City of Los Angeles
- Certified to NSF/ANSI/CAN 61 and 372

ACCESSORIES

- Pressure gauges (Model 92-25A: 1/2", 3/4") (Model 92-25: 1" - 2")
- Thermal expansion tank (Model XT)

SIZE	LEAD-FREE PART NUMBER
600XL: FNPT UNION X FNPT	
1/2"	12-600XL
3/4"	34-600XL
1"	1-600XL
1-1/4"	114-600XL
1-1/2"	112-600XL
2"	2-600XL
600XLC: FEMALE CU SWT UNION X FNPT	
1/2"	12-600XLC
3/4"	34-600XLC
1"	1-600XLC
1-1/4"	114-600XLC
1-1/2"	112-600XLC
2"	2-600XLC
600XLDM: DOUBLE MALE METER THREADS	
3/4"	34-600XLDM
1"	1-600XLDM
600XLLU: FNPT X FNPT, LESS UNION & TAILPIECE	
See NR3XL for other Less Union options	
1/2"	12-600XLLU
3/4"	34-600XLLU
1"	1-600XLLU

610XL SERIES – OPTION FOR 600XL

SIZE	LEAD-FREE PART NUMBER
610XL: FNPT UNION X FNPT	
1/2"	12-610XL
3/4"	34-610XL
1"	1-610XL
1-1/4"	114-610XL
1-1/2"	112-610XL
2"	2-610XL
610XLC: FEMALE CU SWT UNION X FNPT	
1/2"	12-610XLC
3/4"	34-610XLC
1"	1-610XLC
1-1/4"	114-610XLC
1-1/2"	112-610XLC
2"	2-610XLC

See 600XL for Options and List Price adders.

625XL SERIES – OPTION FOR 600XL

SIZE	LEAD-FREE PART NUMBER
625XLSULU: FNPT UNION X UNION CONNECTION, LESS TAILPIECE AND UNION NUT	
3/4"	34-625XLSULU
1"	1-625XLSULU
625XL: FNPT UNION X FNPT	
3/4"	34-625XL
1"	1-625XL
625XLC: FEMALE CU SWT UNION X FNPT	
3/4"	34-625XLC
1"	1-625XLC

OPTIONS AND LIST PRICE ADDERS:

PLUG (P) OPTION: TAPPED AND PLUGGED (E.G. 2-600XLP)

1/2" - 2" P Suffix

GAUGE (G) OPTION: TAPPED AND PLUGGED WITH GAUGE (E.G. 2-600XLG)

1/2" - 2" G Suffix

HIGH RANGE PRESSURE (HR) OPTION: 75-125 PSI, SET 85 PSI (E.G. 2-600XLR)

1/2" - 2" HR Suffix

HIGH-LOW RANGE PRESSURE (HLR) OPTION: 10-125 PSI, SET 50 PSI (E.G. 2-600XLR)

1/2" - 2" HLR Suffix

SEALED CAGE (SC) OPTION WITH SS ADJ. SCREW. FOR BELOW GRADE AND METER BOX APPLICATIONS (E.G. 2-600XLS)

1/2" - 2" SC Suffix

HOT WATER SERVICE (HTSTSC) OPTION: HIGH TEMP 180 °F (E.G. 2-600XLHTSTSC)

1/2" - 2" HTSTSC Suffix

LOW RANGE PRESSURE AND HOT OR COLD WATER SERVICE (LPV) OPTION: 10-35 PSI, SET 20 PSI, HIGH TEMP 180 °F (E.G. 2-600XLLPV)

1/2" - 2" LPV Suffix

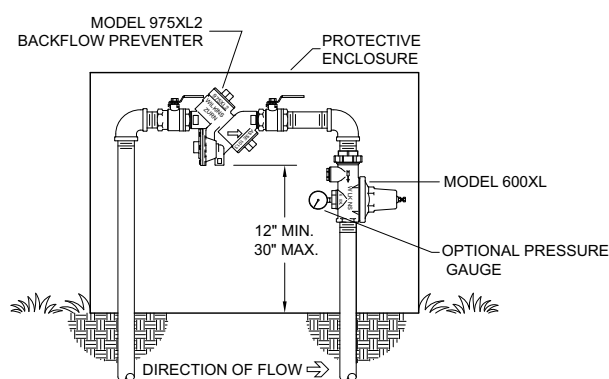
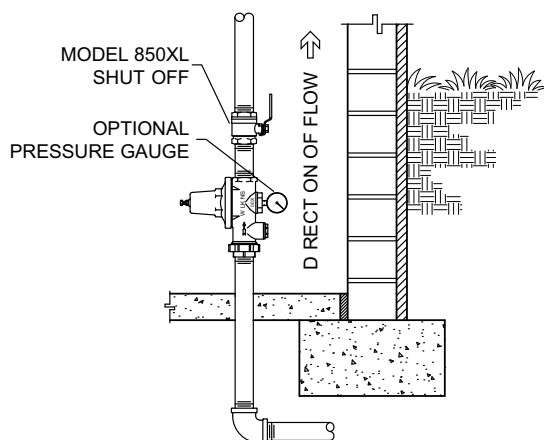
CHROME INTERNALS (CH) OPTION (E.G. 2-600XLCH)

1/2" - 2" CH Suffix

LESS INTERNAL BY-PASS (L) OPTION (E.G. 2-600XLL)

1/2" - 2" L Suffix

TYPICAL INSTALLATION



WATER PRESSURE REDUCING VALVE ACCESSORIES

TPKXL SERIES – TAILPIECE KITS



APPLICATIONS

Designed for connection in different types of plumbing systems, to install pressure reducing valves (regulators) and thermostatic mixing valves. Available in a variety of sizes and end connections.

FEATURES

- 1/2" - 2" (TMV max size 1")
- Configurations include male NPT, female NPT, female copper sweat, male copper sweat, PEX barb, CPVC, compression, Z-Bite™ push type, Z-Press™ press type, and extended retrofit options
- Brass tailpiece or CPVC tailpiece
- Cast brass union nut
- EPDM gasket

SIZE	INLET X OUTLET CONNECTIONS / OPTIONS	LEAD-FREE PART NUMBER
TPKXL: NPT CONNECTIONS		
1/2"	Female NPT	12-TPKXL
1/2" x 3/4"	1/2" Female NPT, 3/4" Union	12X34-TPKXL
3/4"	Female NPT	34-TPKXL
1"	Female NPT	1-TPKXL
1-1/4"	Female NPT	114-TPKXL
1-1/2"	Female NPT	112-TPKXL
2"	Female NPT	2-TPKXL
1/2" x 3/4"	1/2" Female NPT, 3/4" Union, SS Screen	12X34-TPKXLS
3/4"	Female NPT, SS Screen	34-TPKXLS
3/4"	Male NPT	34-TPKXLM
3/4"	Male NPT, SS Screen	34-TPKXLMs
1"	Male NPT	1-TPKXLM
TPKXLC: COPPER SWEAT CONNECTIONS		
1/2"	Female CU SWT	12-TPKXLC
1/2" x 3/4"	1/2" Female CU SWT, 3/4" Union	12X34-TPKXLC
3/4"	Female CU SWT	34-TPKXLC
1"	Female CU SWT	1-TPKXLC
1" x 3/4"	1" Female CU SWT, 3/4" Union	1X34-TPKXLC
1-1/4"	Female CU SWT	114-TPKXLC
1-1/2"	Female CU SWT	112-TPKXLC
2"	Female CU SWT	2-TPKXLC
1/2" x 3/4"	1/2" Female CU SWT, 3/4" Union, SS Screen	12X34-TPKXLCS
3/4"	Female CU SWT, SS Screen	34-TPKXLCS
1" x 3/4"	1" Female CU SWT, 3/4" Union, SS Screen	1X34-TPKXLCS
3/4"	Male CU SWT	34-TPKXLCM
1"	Male CU SWT	1-TPKXLCM
TPKCPVC: CPVC CONNECTIONS		
1/2" x 3/4"	1/2" CPVC, 3/4" Union	12X34-TPKCPVC
1/2" x 3/4"	1/2" CPVC, 3/4" Union, SS Screen	12X34-TPKCPVCS
3/4"	CPVC	34-TPKCPVC
3/4"	CPVC, SS Screen	34-TPKCPVCS
1"	CPVC	1-TPKCPVC
TPKXLPX: PEX CONNECTIONS		
1/2" x 3/4"	1/2" PEX, 3/4" Union	12X34-TPKXLPX
3/4"	PEX	34-TPKXLPX
1"	PEX	1-TPKXLPX
TPKXLPF: Z-BITE™ PUSH-TYPE SOLDERLESS TAILPIECE KIT		
1/2"	1/2" Push Fitting x Union	12-TPKXLPF
1/2" x 3/4"	1/2" Push Fitting x 3/4" Union	12X34-TPKXLPF
1/2" x 3/4"	1/2" Push Fitting x 3/4" Union, SS Screen	12X34-TPKXLPFS
3/4"	3/4" Push Fitting x Union	34-TPKXLPF
1"	1" Push Fitting x Union	1-TPKXLPF

WATER PRESSURE REDUCING VALVE ACCESSORIES

25 SERIES – PRESSURE GAUGES



SIZE	INLET X OUTLET CONNECTIONS / OPTIONS	LEAD-FREE EXEMPT PART NUMBER
25 SERIES: PRESSURE GAUGE		
1/8"	Pressure Gauge, 2" Dial, 0-100 psi, 1/8" MNPT	92-25A
1/4"	Pressure Gauge, 2" Dial, 0-100 psi, 1/4" MNPT	92-25
3/4"	Pressure Gauge, 2" Dial, 0 - 200psi, 3/4" Female Hose Bibb	HGI-25
1/4"	Pressure Gauge, 2-1/2" Dial, 0 - 300psi, 1/4" MNPT	2004-25-300
1/4"	Pressure Gauge, 3 1/2" Dial, 0 - 300psi, 1/4" MNPT	2010-25-300
1/4"	Pressure Gauge, UL/FM Listed, 3 1/2" Dial, 0 - 300psi, 1/4" MNPT	2005-25UL
1/8"	Pressure Gauge, Liquid Filled, 2-1/2" Dial, 0 - 300psi, 1/8" MNPT	2006-25LBP-300
1/4"	Pressure Gauge, Liquid Filled, 2-1/2" Dial, 0 - 300psi, 1/4" MNPT	2004-25L-300

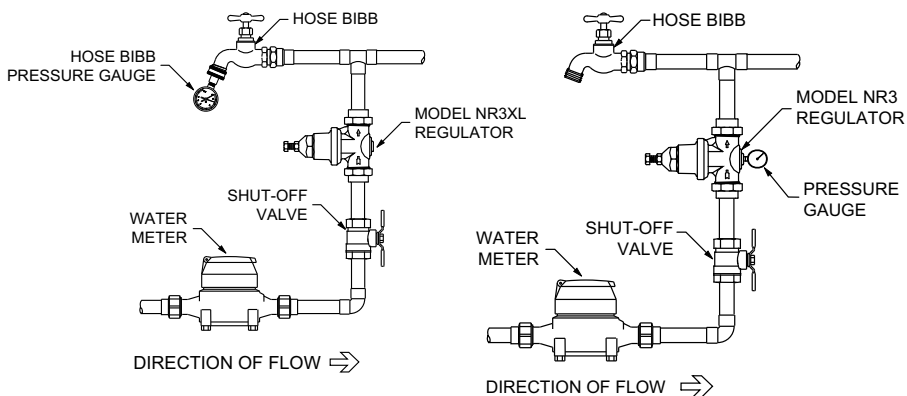
FEATURES (HGI-25)

- 3/4" hose bibb connection (Model HGI-25)
- Dial size 2"
- Indicator needle identifies the highest pressure
- Range: 0 – 200 psi; minimum 2 psi graduation
- Knurled for easy tightening on hose bibb
- Sold in convenient pegboard packaging

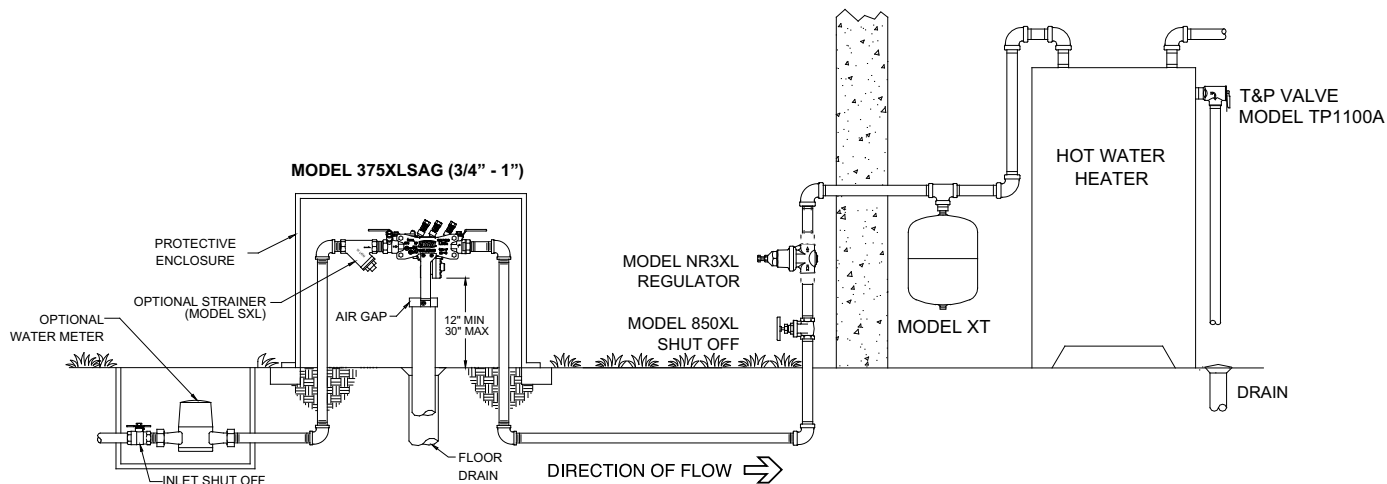
FEATURES (92-25 AND 92-25A)

- 1/8" NPT (Model 92-25A), 1/4" NPT (Model 92-25)
- Dial size 2"
- Range 0 – 100 psi; minimum 2 psi graduation
- Steel black case
- Specify part no. 92-25 (1/4" NPT); 92-25A (1/8" NPT)

TYPICAL INSTALLATION



MODEL NR3XL SERIES - TYPICAL INSTALLATION



NOTES

BACKFLOW
PREVENTERS

BACKFLOW PREVENTERS
ACCESSORIES

STRAINERS

AUTOMATIC
CONTROL VALVES

PRESSURE
REDUCING VALVES

FIRE
PROTECTION VALVES

THERMOSTATIC
MIXING VALVES

RELIEF VALVES

MISCELLANEOUS
PLUMBING PRODUCTS

REPAIR KITS

FIRE PROTECTION VALVES

Wilkins Pressure-Tru® fire system valves are a reliable choice, delivering superior low life-cycle cost. Customers benefit from on-time delivery and availability for the complete line of Wilkins fire protection system products.

ZW5000 SERIES – PRESSURE-TRU® FIRE HOSE VALVES	94
ZW5004 SERIES – PRESSURE-TRU® FIRE FLOOR CONTROL VALVES	94
Z3004 SERIES – PRESSURE-TRU® FIRE FLOOR CONTROL VALVES	95
ZW4004 SERIES – PRESSURE-TRU® FIRE FLOOR CONTROL VALVES	95
ZW4000 SERIES – PRESSURE-TRU® FIRE HOSE VALVES	96
Z3000/Z3005 SERIES – PRESSURE-TRU® FIRE HOSE VALVES	96
ZW4104 SERIES – PRESSURE-TRU® FIRE FLOOR CONTROL VALVES	97
ZW4100 SERIES – PRESSURE-TRU® FIRE HOSE VALVES	97
F100/F100G SERIES – FIRE HOSE VALVES	98
F49BR/F49BRG SERIES – POWERBALL BUTTERFLY VALVES	98
F49 SERIES – FIRE BUTTERFLY VALVES	99
F210R SERIES – RISER CHECKS	99
P4000A – PRESSURE RELIEF VALVES	100
COUPLINGS AND FITTINGS	101
FP23 SERIES - COUPLINGS – SINGLE BOLT (EZT), RIGID (R), FLEX (F), REDUCING	101
FP52 SERIES - ELBOWS – 90° STANDARD RADIUS, 90° SHORT RADIUS (S), 45° STANDARD RADIUS (-45), 22.5° STANDARD RADIUS (-22), 11.25° STANDARD RADIUS (-11), END OF RUN ADAPTER (GTF)	102
FP53 SERIES - TEES – STANDARD RADIUS, SHORT RADIUS (S), REDUCING BRANCH	103
FP56 SERIES - CROSSES	103
FP3 SERIES - CAPS	103
FP63 SERIES - MECHANICAL TEES – GROOVED (G), THREADED (TF), U-BOLT (LTF)	104
FP8 SERIES - GROOVED FLANGES	105
FP51 SERIES - GROOVED REDUCERS	105

ZW5000 SERIES – PRESSURE-TRU® FIRE HOSE VALVES



APPLICATIONS

The Pressure-Tru® ZW5000 Series Pressure Reducing Valve is listed as a standpipe valve for individual hose stations in CLASS I and CLASS III systems. Regulates pressure under both FLOW and NO-FLOW conditions. Ideal for applications where immediate field adjustments are needed. Can be set in the field as needed.

FEATURES

- Sizes: 2 1/2" 400 psi max
- End connection (FNPT) ANSI B1.20.1, (Grooved) AWWA C606, (Male hose) NFPA1963
- Available in angle or in-line (globe) configurations
- Field adjustable
- Tapped and plugged inlet and outlet for pressure gauge.

OPTIONS

(Suffixes can be combined)
 ZW5000 - angle type valve
 IL - in-line (globe type) valve
 G - with grooved inlet
 SF - with San Francisco hose thread (3")
 ST - with special hose thread
 CC - with cap and chain
 CCCH - with cap and chain and chrome finish

ZW5000F - female NPT inlet and outlet angle valve
 IL - female NPT inlet and outlet in-line valve
 CH - with chrome finish

APPROVALS AND APPLICABLE STANDARDS

UL® Listed, C-UL® Listed

IMPORTANT

Completed order form required. Order form can be found on the Resources tab of the product page

SIZE	INLET X OUTLET CONNECTIONS / OPTIONS	LEAD-FREE EXEMPT PART NUMBER
ZW5000: NATIONAL HOSE THREAD OUTLET		
2-1/2"	FNPT x Male Hose Thread, Angle Body	ZW5000
ZW5000IL: IN-LINE (GLOBE TYPE) VALVE		
2-1/2"	FNPT x Male Hose Thread, In-Line Body	ZW5000IL
ZW5000G: GROOVED X MALE HOSE THD		
2-1/2"	Angle Body	ZW5000G
2-1/2"	In-Line Body	ZW5000ILG
ZW5000SF: WITH SAN FRANCISCO HOSE THREAD (3")		
2-1/2"	Angle Body	ZW5000SF
ZW5000F: FNPT X FNPT		
2-1/2"	Angle Body	ZW5000F
2-1/2"	In-Line Body	ZW5000FIL
OPTIONS AND LIST PRICE ADDERS (ADD OPTION WITH LIST PRICE TO DETERMINE TOTAL LIST PRICE)		
CAP AND CHAIN (CC) OPTION		
2-1/2"		
<i>Part number will be designated with the "CC" option (e.g. ZW5000CC, ZW5000GCC, ZW5000ILCC, ZW5000ILGCC, ZW5000SFCC, ZW5000STCC).</i>		
CHROME FINISH (CH) OPTION		
2-1/2"		
<i>Part number will be designated with the "CH" option (e.g. ZW5000CCCH, ZW5000FCH, ZW5000FILCH, ZW5000GCCCH, ZW5000ILCCCH, ZW5000ILGCCCH, ZW5000SFCCCH).</i>		
SPECIAL THREAD (ST) OPTION		
2-1/2"		
<i>Part number will be designated with the "ST" option (e.g. ZW5000ST, ZW5000GST, ZW5000STCC, ZW5000GSTCC, ZW5000STCCCH, ZW5000GSTCCCH).</i>		

ZW5004 SERIES – PRESSURE-TRU® FIRE FLOOR CONTROL VALVES



APPLICATIONS

The Pressure-Tru® ZW5004 Series Pressure Reducing Valve is listed as a floor control valve, an indicating valve, and a check valve in automatic sprinkler systems as well as a standpipe valve for CLASS I and CLASS III systems. Regulates pressure under both FLOW and NO-FLOW conditions. Ideal for applications where immediate field adjustments are needed. Can be set in the field as needed.

FEATURES

- Sizes: 2 1/2" 400 psi max
- End connection (FNPT) ANSI B1.20.1, (Grooved) AWWA C606
- Available in angle or in-line (globe) configurations
- Field adjustable
- Tapped and plugged inlet and outlet for pressure gauge.
- Integral supervisory switch contact rating of 3 amps at 125VAC and a tamper resistant cover

SIZE	INLET X OUTLET CONNECTIONS / OPTIONS	LEAD-FREE EXEMPT PART NUMBER
ZW5004: FNPT X FNPT		
2-1/2"	Angle Body	ZW5004
2-1/2"	Angle Body, Capped Bonnet, No Hand Wheel Assembly	ZW5004CAP
2-1/2"	In-Line Body	ZW5004IL
2-1/2"	In-Line Body, Capped Bonnet, No Hand Wheel Assembly	ZW5004ILCAP
ZW5004G: GROOVED X GROOVED		
2-1/2"	Angle Body	ZW5004G
2-1/2"	Angle Body, Capped Bonnet, No Hand Wheel Assembly	ZW5004GCAP
2-1/2"	In-Line Body	ZW5004ILG
2-1/2"	In-Line Body, Capped Bonnet, No Hand Wheel Assembly	ZW5004ILGCAP

OPTIONS

(Suffixes can be combined)
 ZW5004 - angle type valve
 IL - in-line (globe type) valve
 G - with grooved inlet
 CAP - with capped bonnet, no hand wheel assembly

APPROVALS AND APPLICABLE STANDARDS

UL® Listed, C-UL® Listed

IMPORTANT

Completed order form required. Order form can be found on the Resources tab of the product page

Z3004 SERIES – PRESSURE-TRU® FIRE FLOOR CONTROL VALVES



APPLICATIONS

The Pressure-Tru Z3004 series pressure reducing valve is listed as a floor control valve in automatic sprinkler systems as well as a standpipe valve for class I and class III systems. Regulates pressure under both FLOW and NO-FLOW conditions.

FEATURES

- 2-1/2" 400 psi max 500 gpm max Open-close indicating feature 2-1/2" female inlet and outlet connections or available with grooved options Factory set or field adjustable

APPROVALS AND APPLICABLE STANDARDS

UL® Listed, C-UL® Listed

SIZE	INLET X OUTLET CONNECTIONS / OPTIONS	LEAD-FREE EXEMPT PART NUMBER
Z3004: FNPT X FNPT		
2-1/2"	Angle Body	Z3004
2-1/2"	Angle Body, Capped Bonnet, No Hand Wheel Assembly	Z3004CAP
2-1/2"	In-Line Body	Z3004IL
2-1/2"	In-Line Body, Capped Bonnet, No Hand Wheel Assembly	Z3004ILCAP
Z3004G: GROOVED X GROOVED		
2-1/2"	Angle Body	Z3004G
2-1/2"	Angle Body, Capped Bonnet, No Hand Wheel Assembly	Z3004GCAP
2-1/2"	In-Line Body	Z3004ILG
2-1/2"	In-Line Body, Capped Bonnet, No Hand Wheel Assembly	Z3004ILGCAP
OPTIONS AND LIST PRICE ADDERS (ADD OPTION WITH LIST PRICE TO DETERMINE TOTAL LIST PRICE)		
MONITOR SWITCH ADAPTER (MSA) OPTION		
2-1/2"	<i>Part number will be designated with the "MSA" option (e.g. Z3004MSA, Z3004ILMSACH, Z3004ILGMSA).</i>	
CHROME FINISH (CH) OPTION		
2-1/2"	<i>Part number will be designated with the "CH" option (e.g. Z3004CH, Z3004ILCH, Z3004ILMSACH).</i>	
SUPERVISORY SWITCH (SS) OPTION		
2-1/2"	<i>Part number will be designated with the "SS" option (e.g. Z3004SS, Z3004ILSS, ZW3004ILGSS).</i>	

IMPORTANT

Completed order form required. Order form can be found on the Resources tab of the product page

ZW4004 SERIES – PRESSURE-TRU® FIRE FLOOR CONTROL VALVES



APPLICATIONS

The Pressure-Tru ZW4004 series pressure reducing valve is listed as a floor control valve in automatic sprinkler systems as well as a standpipe valve for class I and class III systems. Regulates pressure under both FLOW and NO-FLOW conditions.

FEATURES

- 2-1/2" 400 psi max 500 gpm max Open-Close indicating feature 2-1/2" Female NPT inlet and outlet connection Factory set, non-field adjustable Use Part Number Assistant on zurn.com for factory setting (Available flow Curves N, O, P, Q, R, S, T & U, example: ZW4004G-T)

APPROVALS AND APPLICABLE STANDARDS

UL® Listed, C-UL® Listed

SIZE	INLET X OUTLET CONNECTIONS / OPTIONS	LEAD-FREE EXEMPT PART NUMBER
ZW4004: FNPT X FNPT		
2-1/2"	Angle Body	ZW4004
2-1/2"	Angle Body, Capped Bonnet, No Hand Wheel Assembly	ZW4004CAP
2-1/2"	In-Line Body	ZW4004IL
2-1/2"	In-Line Body, Capped Bonnet, No Hand Wheel Assembly	ZW4004ILCAP
ZW4004G: GROOVED X GROOVED		
2-1/2"	Angle Body	ZW4004G
2-1/2"	Angle Body, Capped Bonnet, No Hand Wheel Assembly	ZW4004GCAP
2-1/2"	In-Line Body	ZW4004ILG
2-1/2"	In-Line Body, Capped Bonnet, No Hand Wheel Assembly	ZW4004ILGCAP
OPTIONS AND LIST PRICE ADDERS (ADD OPTION WITH LIST PRICE TO DETERMINE TOTAL LIST PRICE)		
MONITOR SWITCH ADAPTER (MSA) OPTION		
2-1/2"	<i>Part number will be designated with the "MSA" option (e.g. ZW4004MSA-P, ZW4004ILMSA-S, ZW4004ILGMSA-T).</i>	
CHROME FINISH (CH) OPTION		
2-1/2"	<i>Part number will be designated with the "CH" option (e.g. ZW4004CH-P, ZW4004ILCH-S, ZW4004ILGMSACH-T).</i>	
SUPERVISORY SWITCH (SS)		
2-1/2"	<i>Part number will be designated with the "SS" option (e.g. ZW4004SS-P, ZW4004ILSS-S, ZW4004ILGSSCH-T).</i>	

IMPORTANT

Completed order form required. Order form can be found on the Resources tab of the product page

BACKFLOW PREVENTERS
BACKFLOW PREVENTERS ACCESSORIES
STRAINERS
AUTOMATIC CONTROL VALVES
PRESSURE REDUCING VALVES
FIRE PROTECTION VALVES
THERMOSTATIC MIXING VALVES
RELIEF VALVES
MISCELLANEOUS PLUMBING PRODUCTS
REPAIR KITS

ZW4000 SERIES – PRESSURE-TRU® FIRE HOSE VALVES



APPLICATIONS

Listed as a standpipe valve for individual hose stations in CLASS I and CLASS III systems. Regulates pressure under both FLOW and NO-FLOW conditions.

FEATURES

- 2-1/2" 400 psi max
Factory set, non-field adjustable
All bronze construction
Available in angle or in-line (globe) configurations
Use Part Number Assistant on zurn.com for factory setting (Available flow Curves N, O, P, Q, R, S, T & U, example: ZW4000G-T)

APPROVALS AND APPLICABLE STANDARDS

UL® Listed, C-UL® Listed

SIZE	INLET X OUTLET CONNECTIONS / OPTIONS	LEAD-FREE EXEMPT PART NUMBER
ZW4000: FNPT X MALE HOSE THREAD, ANGLE BODY		
2-1/2"		ZW4000
ZW4000IL: FNPT X MALE HOSE THREAD, IN-LINE BODY		
2-1/2"		ZW4000IL
ZW4000G: GROOVED X MALE HOSE THREAD, ANGLE BODY		
2-1/2"		ZW4000G
ZW4000ILG: GROOVED X MALE HOSE THREAD, IN-LINE BODY		
2-1/2"		ZW4000ILG
ZW4000SF: WITH SAN FRANCISCO HOSE THREAD (3")		
2-1/2"	FNPT x SF Male Hose Thread, Angle Body	ZW4000SF
2-1/2"	FNPT x SF Male Hose Thread, In-Line Body	ZW4000ILSF
2-1/2"	Grooved x SF Male Hose Thread, Angle Body	ZW4000GSF
OPTIONS AND LIST PRICE ADDERS (ADD OPTION WITH LIST PRICE TO DETERMINE TOTAL LIST PRICE)		
CAP AND CHAIN (CC) OPTION		
2-1/2"		
<i>Part number will be designated with the "CC" option (e.g. ZW4000C/C-M, ZW4000C/CCH-O, ZW4000STC/C-P).</i>		
CHROME FINISH (CH) OPTION		
2-1/2"		
<i>Part number will be designated with the "CH" option (e.g. ZW4000CH-M, ZW4000CCCH-O, ZW4000STCCCH-P).</i>		
SPECIAL FIRE HOSE THREADS (ST) OPTION		
2-1/2"		
<i>Part number will be designated with the "ST" option (e.g. ZW4000ST-M, ZW4000STCH-O, ZW4000GST-P).</i>		

IMPORTANT

Completed order form required. Order form can be found on the Resources tab of the product page

Z3000/Z3005 SERIES – PRESSURE-TRU® FIRE HOSE VALVES



APPLICATIONS

The Pressure-Tru Z3000 and Z3005 series pressure reducing valve is listed as a standpipe valve for individual hose stations in class I and class III systems. Regulates pressure under both FLOW and NO-FLOW conditions.

FEATURES

- 2-1/2" 400 psi max
All bronze construction
Model Z3000 series features female NPT inlet x male hose thread outlet or available with grooved inlet
Model Z3005 series features female NPT inlet and outlet
Available in angle or in-line (globe) configurations
Factory set or field adjustable

APPROVALS AND APPLICABLE STANDARDS

UL® Listed, C-UL® Listed

SIZE	INLET X OUTLET CONNECTIONS / OPTIONS	LEAD-FREE EXEMPT PART NUMBER
Z3000: NATIONAL HOSE THREAD OUTLET		
2-1/2"	FNPT x Male Hose Thread, Angle Body	Z3000
Z3000IL: IN-LINE (GLOBE TYPE) VALVE		
2-1/2"	FNPT x Male Hose Thread, In-Line Body	Z3000IL
Z3000G: GROOVED X MALE HOSE THD		
2-1/2"	Angle Body	Z3000G
2-1/2"	In-Line Body	Z3000ILG
Z3000SF: WITH SAN FRANCISCO HOSE THREAD (3")		
2-1/2"	Angle Body	Z3000SF
2-1/2"	In-Line Body	Z3000ILSF
Z3005: FNPT X FNPT		
2-1/2"	Angle Body	Z3005
2-1/2"	In-Line Body	Z3005IL
OPTIONS AND LIST PRICE ADDERS (ADD OPTION WITH LIST PRICE TO DETERMINE TOTAL LIST PRICE)		
CAP AND CHAIN (C/C) OPTION		
2-1/2"		
<i>Part number will be designated with the "C/C" option (e.g. Z3000C/C, Z3000C/CCH, Z3000STC/C).</i>		
CHROME FINISH (CH) OPTION		
2-1/2"		
<i>Part number will be designated with the "CH" option (e.g. Z3000CH, Z3000C/CCH, Z3000STC/CCH).</i>		
SPECIAL THREAD (ST) OPTION		
2-1/2"		
<i>Part number will be designated with the "ST" option (e.g. Z3000ST, Z3000ILST, Z3000GSTC/C).</i>		

IMPORTANT

Completed order form required. Order form can be found on the Resources tab of the product page

ZW4104 SERIES – PRESSURE-TRU® FIRE FLOOR CONTROL VALVES



APPLICATIONS

The Pressure-Tru ZW4104 series pressure reducing valve is listed as a floor control valve in automatic sprinkler systems as well as a standpipe valve for class II systems. Regulates pressure under both FLOW and NO-FLOW conditions.

FEATURES

- 1-1/2"
 - 400 psi max
 - 200 gpm max
 - Open-Close indicating feature
 - 1-1/2" Female NPT inlet and outlet connections
 - Available in angle style only
 - Factory set, non-field adjustable
 - Use Part Number Assistant on zurn.com for factory setting (Available flow Curves N, O, P, Q, R, S, T & U, example: ZW4104G-T)

SIZE	INLET X OUTLET CONNECTIONS / OPTIONS	LEAD-FREE EXEMPT PART NUMBER
ZW4104: FNPT X FNPT		
1-1/2"	Angle Body	ZW4104
1-1/2"	Angle Body, Capped Bonnet, No Hand Wheel Assembly	ZW4104CAP
ZW4104G: GROOVED X GROOVED		
1-1/2"	Angle Body	ZW4104G
1-1/2"	Angle Body, Capped Bonnet, No Hand Wheel Assembly	ZW4104GCAP
OPTIONS AND LIST PRICE ADDERS (ADD OPTION WITH LIST PRICE TO DETERMINE TOTAL LIST PRICE)		
MSA OPTION, MONITOR SWITCH ADAPTER INSTALLED		
1-1/2"	<i>Part number will be designated with the "MSA" option (e.g. ZW4104MSA-M, ZW4104MSACH-O, ZW4104GCH-P).</i>	
CH OPTION, ROUGH CHROME FINISH		
1-1/2"	<i>Part number will be designated with the "CH" option (e.g. ZW4104CH-M, ZW4104GCH-O, ZW4100SSCH-P).</i>	
SS OPTION, SUPERVISORY SWITCH INSTALLED		
1-1/2"	<i>Part number will be designated with the "SS" option (e.g. ZW4104SS-M, ZW4104SSCH-O, ZW4104GSS-P).</i>	

APPROVALS AND APPLICABLE STANDARDS

- UL® Listed, C-UL® Listed
- SS option - California State Fire Marshall Listed

IMPORTANT

Completed order form required. Order form can be found on the Resources tab of the product page

ZW4100 SERIES – PRESSURE-TRU® FIRE HOSE VALVES



APPLICATIONS

The Pressure-Tru ZW4100 series pressure reducing valve is listed as a standpipe valve for individual hose stations in class II systems. Regulates pressure under both FLOW and NO-FLOW conditions.

FEATURES

- 1-1/2"
 - 400 psi max
 - All bronze construction
 - Model ZW4100 series features female NPT inlet x male hose thread outlet
 - Model ZW4100G series features grooved inlet x male hose thread outlet
 - Available in angle style only
 - Factory set, non-field adjustable
 - Use Part Number Assistant on zurn.com for factory setting (Available flow Curves N, O, P, Q, R, S, T & U, example: ZW4100G-T)
 - Contact factory for approvals & availability

SIZE	LEAD-FREE EXEMPT PART NUMBER
ZW4100: FNPT X MALE HOSE THREAD, ANGLE BODY	
1-1/2"	ZW4100
ZW4100G: GROOVED X MALE HOSE THREAD, ANGLE BODY	
1-1/2"	ZW4100G
OPTIONS AND LIST PRICE ADDERS (ADD OPTION WITH LIST PRICE TO DETERMINE TOTAL LIST PRICE)	
CAP AND CHAIN (CC) OPTION	
1-1/2"	<i>Part number will be designated with the "CC" option (e.g. ZW4100CC-M, ZW4100CCCH-O, ZW4100STCC-P).</i>
CHROME FINISH (CH) OPTION	
1-1/2"	<i>Part number will be designated with the "CH" option (e.g. ZW4100CH-M, ZW41000CCCH-O, ZW4100STCCCH-P).</i>
SPECIAL THREAD (ST) OPTION	
1-1/2"	<i>Part number will be designated with the "ST" option (e.g. ZW4100ST-M, ZW4100STCH-O, ZW4100GST-P).</i>

APPROVALS AND APPLICABLE STANDARDS

- UL® Listed, C-UL® Listed

IMPORTANT

Completed order form required. Order form can be found on the Resources tab of the product page

BACKFLOW PREVENTERS
BACKFLOW PREVENTERS ACCESSORIES
STRAINERS
AUTOMATIC CONTROL VALVES
PRESSURE REDUCING VALVES
FIRE PROTECTION VALVES
THERMOSTATIC MIXING VALVES
RELIEF VALVES
MISCELLANEOUS PLUMBING PRODUCTS
REPAIR KITS

F100/F100G SERIES – FIRE HOSE VALVES



APPLICATIONS

Wilkins Model F100/F100G Fire Hose Valves are standpipe valves listed for use on a fire hose rack assembly, or as a fire department outlet connection. Suitable for test header application.

FEATURES

- 1-1/2", 2-1/2"
300 psi max
All bronze construction
Inlet Connections: FNPT or Grooved
Outlet Connections Options: NH, FNPT or Special Thread (2-1/2")
Rough chrome plated optional

SIZE	INLET X OUTLET CONNECTIONS / OPTIONS	LEAD-FREE EXEMPT PART NUMBER
F100: FNPT X NH		
1-1/2"	Angle Body, Brass	112-F100
2-1/2"	Angle Body, Brass	212-F100
2-1/2"	Angle Body, Rough Chrome Plated	212-F100CH
F100F: FNPT X FNPT		
1-1/2"	Angle Body, Brass	112-F100F
2-1/2"	Angle Body, Brass	212-F100F
F100ST: FNPT X SPECIAL THREAD		
2-1/2"	Angle Body, Brass	212-F100ST
2-1/2"	Angle Body, Rough Chrome Plated	212-F100STCH
F100G: GRV X NH		
2-1/2"	Angle Body, Brass	212-F100G
2-1/2"	Angle Body, Rough Chrome Plated	212-F100GCH
F100GF: GRV X FNPT		
2-1/2"	Angle Body, Brass	212-F100GF
F100GST: GRV X SPECIAL THREAD		
2-1/2"	Angle Body, Brass	212-F100GST
2-1/2"	Angle Body, Rough Chrome Plated	212-F100GSTCH

APPROVALS AND APPLICABLE STANDARDS

UL® Listed, FM® Approved, C-UL® Listed, ULC® Listed (2-1/2" only)

F49BR/F49BRG SERIES – POWERBALL BUTTERFLY VALVES



112-F49BR

2-F49BRG

APPLICATIONS

Wilkins Model F49BR Fire Powerball Butterfly sprinkler control valves provide for easy system shutoff to facilitate repair and maintenance.

SIZE	INLET X OUTLET CONNECTIONS / OPTIONS	LEAD-FREE EXEMPT PART NUMBER
F49BR: THREADED		
1"	Brass with Supervisory Switch	1-F49BR
1-1/4"	Brass with Supervisory Switch	114-F49BR
1-1/2"	Brass with Supervisory Switch	112-F49BR
2"	Brass with Supervisory Switch	2-F49BR
2-1/2"	Brass with Supervisory Switch	212-F49BR
F49BRG: GROOVED		
1-1/4"	Brass with Supervisory Switch	114-F49BRG
1-1/2"	Brass with Supervisory Switch	112-F49BRG
2"	Brass with Supervisory Switch	2-F49BRG
2-1/2"	Brass with Supervisory Switch	212-F49BRG

FEATURES

- 1", 1-1/4", 1-1/2", 2", 2-1/2"
300 psi max
Threaded or grooved end connections
Valves feature low torque actuation and a built-in tamper switch
Operated with a slow closing 1/4 turn antiwater hammer valve
Tamper switches signal movement of the valve from the full open position to an alarm

APPROVALS AND APPLICABLE STANDARDS

UL® Listed, C-UL® Listed, FM® Approved

F49 SERIES – FIRE BUTTERFLY VALVES



APPLICATIONS

The Wilkins F49 Fire Butterfly Valves provide a slow opening anti-waterhammer adjustment to control water flow. An integral supervisory tamper switch provides a fire alarm control signal when the valve is moved from the open position.

SIZE	INLET X OUTLET CONNECTIONS / OPTIONS	LEAD-FREE EXEMPT PART NUMBER
F49: FIRE BUTTERFLY VALVES		
2-1/2"	Grooved Butterfly valve, ductile iron, w/ tamper switch	212-F49
3"	Grooved Butterfly valve, ductile iron, w/ tamper switch	3-F49
4"	Grooved Butterfly valve, ductile iron, w/ tamper switch	4-F49
6"	Grooved Butterfly valve, ductile iron, w/ tamper switch	6-F49
8"	Grooved Butterfly valve, ductile iron, w/ tamper switch	8-F49

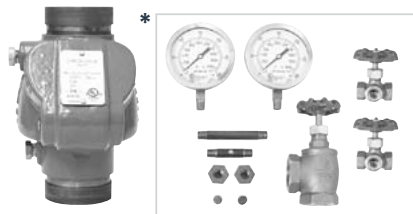
FEATURES

- Sizes: 2 1/2" - 8"
- 300 psi max
- Short lay length

APPROVALS AND APPLICABLE STANDARDS

UL® Listed, C-UL® Listed, FM® Approved

F210R SERIES – RISER CHECKS



APPLICATIONS

The Wilkins F210R Fire Riser Check is a zone water check to prevent system reversal of flow; as required by systems including sprinkler standpipe systems and fire department connections. The F210R Fire Riser Check includes tapped and plugged drilled holes for use with optional Check Trim Kit (sold separately)* to complete Riser Check. Check Trim Kit includes two gauges, two isolation valves, fittings and drain valve.

SIZE	INLET X OUTLET CONNECTIONS / OPTIONS	LEAD-FREE EXEMPT PART NUMBER
F210R: RISER CHECKS		
2-1/2"	Fire Riser Check, grooved, Tapped for gauge and drain	212-F210R
3"	Fire Riser Check, grooved, Tapped for gauge and drain	3-F210R
4"	Fire Riser Check, grooved, Tapped for gauge and drain	4-F210R
6"	Fire Riser Check, grooved, Tapped for gauge and drain	6-F210R
8"	Fire Riser Check, grooved, Tapped for gauge and drain	8-F210R
OPTIONS		
CHECKTRIM: RISER CHECK TRIM KIT		
2-1/2" - 3"	1-1/4" drain valve, nipples, gauges, for 2-1/2" and 3" riser check	212-3-CHECKTRIM
4" - 8"	2" drain valve, nipples, gauges, for 4", 6" and 8" riser check	4-8-CHECKTRIM

FEATURES

- Sizes: 2-1/2" - 8"
- 200 psi max
- Tapped and plugged drilled holes for use with optional Check Trim Kit (sold separately) to complete Riser Check

APPROVALS AND APPLICABLE STANDARDS

UL® Listed, C-UL® Listed, FM® Approved

ACCESSORIES

Optional Check Trim Kit (CHECKTRIM) to be used with F210R Riser Check. Kit includes two gauges, two isolation valves, fittings and drain valve.

P4000A - PRESSURE RELIEF VALVES



TYPICAL INSTALLATION

Underwriters Laboratories requires the installation of pressure gauges upstream and downstream of the pressure reducing valve. Also, a relief valve of not less than 1/2" in size must be installed on the downstream side of the pressure control valve. Adequate drainage for the relief valve discharge must be provided.

SIZE	LEAD-FREE EXEMPT PART NUMBER
P4000A: RELIEF VALVE, FNPT X FNPT, 50-200 PSI	
1/2"	12-P4000A
3/4"	34-P4000A
P4000AHR: RELIEF VALVE, FNPT X FNPT, 150-300 PSI	
1/2"	12-P4000AHR
3/4"	34-P4000AHR

APPLICATIONS

The pressure relief valve prevents pressure build-up in a fire protection system or other closed type system whenever the line pressure exceeds the setting of the spring caused by pumps, elevated piping and thermal expansion.

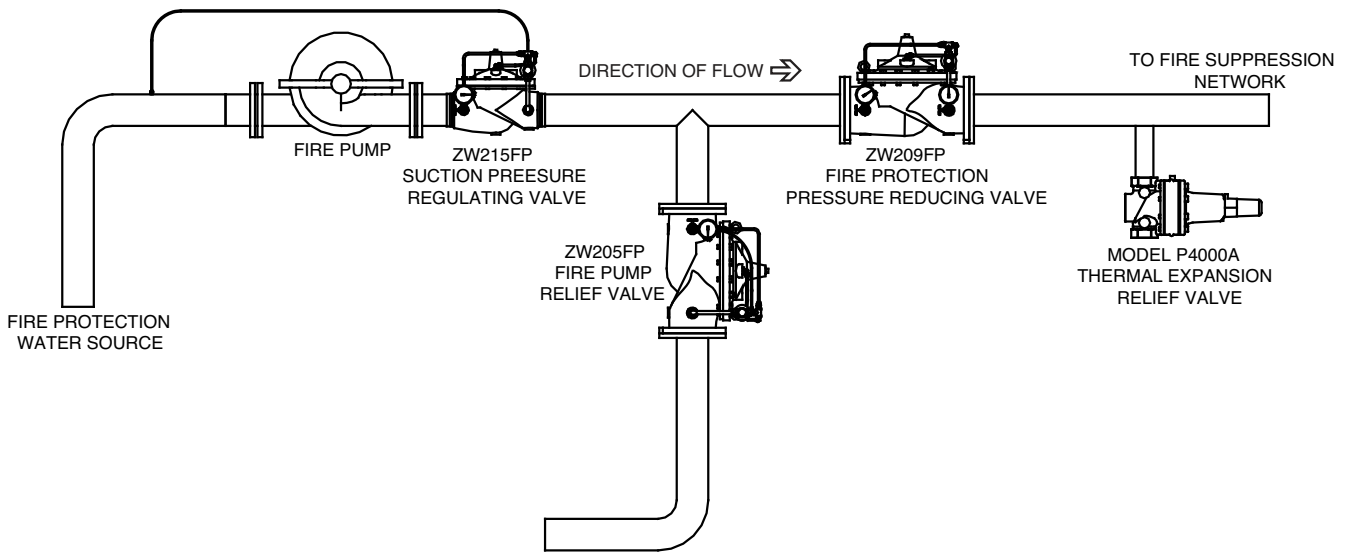
FEATURES

- 1/2", 3/4"
Available pressure ranges: 50 to 200 psi standard (UL), 150 to 300 psi (UL)
140°F max
Body and cover materials: cast bronze, stainless steel

APPROVALS AND APPLICABLE STANDARDS

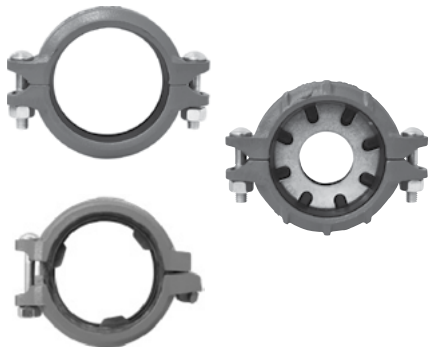
UL® Listed, FM® Approved

TYPICAL INSTALLATION



COUPLINGS AND FITTINGS

FP23 SERIES - COUPLINGS – SINGLE BOLT (EZ1), RIGID (R), FLEX (F), REDUCING



APPLICATIONS

Wilkins Model FP23 couplings are listed to join grooved pipes together. FP23 couplings are available with Rigid or Flexible options, or for reducing connections.

FP23EZ1 - One-Bolt coupling with gasket tabs for easy push on assembly where rigid joints are desired. FP23R - Rigid Couplings provide sturdy inflexible joints comparable to flanged, welded, or threaded connections. They are designed to prevent angular and axial deflection of connected pipes.

FP23F - Flexible Couplings allow joints to flex at the connection without leakage. They meet flexure requirements for structural settling, inter-building piping, and seismic motion.

FP23 - Reducing Couplings provide a flexible style joint between pipes of different sizes. Each reducing coupling makes a connection that would otherwise require two separate couplings and a reducer.

FEATURES

- Sizes: 1 ¼", 1 ½", 2", 2 ½", 3", 4, 6", 8", 10"
Maximum Pressure: 300 psi

APPROVALS AND APPLICABLE STANDARDS

UL® Listed, C-UL® Listed, FM® Approved

SIZE	INLET X OUTLET CONNECTIONS / OPTIONS	LEAD-FREE EXEMPT PART NUMBER
FP23R - RIGID COUPLINGS		
1-1/4"	Grooved coupling, rigid	114-FP23R
1-1/2"	Grooved coupling, rigid	112-FP23R
2"	Grooved coupling, rigid	2-FP23R
2-1/2"	Grooved coupling, rigid	212-FP23R
3"	Grooved coupling, rigid	3-FP23R
4"	Grooved coupling, rigid	4-FP23R
6"	Grooved coupling, rigid	6-FP23R
8"	Grooved coupling, rigid	8-FP23R
10"	Grooved coupling, rigid	10-FP23R
FP23F - FLEXIBLE COUPLINGS		
1-1/4"	Grooved coupling, flexible	114-FP23F
1-1/2"	Grooved coupling, flexible	112-FP23F
2"	Grooved coupling, flexible	2-FP23F
2-1/2"	Grooved coupling, flexible	212-FP23F
3"	Grooved coupling, flexible	3-FP23F
4"	Grooved coupling, flexible	4-FP23F
6"	Grooved coupling, flexible	6-FP23F
8"	Grooved coupling, flexible	8-FP23F
FP23 - REDUCING COUPLINGS		
1-1/2" by 1-1/4"	Grooved coupling, reducing	112X114-FP23
2" by 2-1/2"	Grooved coupling, reducing	2X112-FP23
2-1/2" by 2"	Grooved coupling, reducing	212X2-FP23
3" by 2"	Grooved coupling, reducing	3X2-FP23
3" by 2-1/2"	Grooved coupling, reducing	3X212-FP23
4" by 2"	Grooved coupling, reducing	4X2-FP23
4" by 2-1/2"	Grooved coupling, reducing	4X212-FP23
4" by 3"	Grooved coupling, reducing	4X3-FP23
6" by 4"	Grooved coupling, reducing	6X4-FP23
8" by 6"	Grooved coupling, reducing	8X6-FP23
FP23EZ1 - GROOVED ONE-BOLT COUPLING (REQUIRES DEEP SOCKET FOR ASSEMBLY)		
1-1/4"	One-bolt coupling	114-FP23EZ1
1-1/2"	One-bolt coupling	112-FP23EZ1
2"	One-bolt coupling	2-FP23EZ1
2-1/2"	One-bolt coupling	212-FP23EZ1
3"	One-bolt coupling	3-FP23EZ1
4"	One-bolt coupling	4-FP23EZ1
6"	One-bolt coupling	6-FP23EZ1

BACKFLOW PREVENTERS

BACKFLOW PREVENTERS ACCESSORIES

STRAINERS

AUTOMATIC CONTROL VALVES

PRESSURE REDUCING VALVES

FIRE PROTECTION VALVES

THERMOSTATIC MIXING VALVES

RELIEF VALVES

MISCELLANEOUS PLUMBING PRODUCTS

REPAIR KITS

FP52 SERIES - ELBOWS – 90° STANDARD RADIUS, 90° SHORT RADIUS (S), 45° STANDARD RADIUS (-45), 22.5° STANDARD RADIUS (-22), 11.25° STANDARD RADIUS (-11), END OF RUN ADAPTER (GTF)



APPLICATIONS

The Wilkins FP52 Elbows maximize configurability of piping with a range of bend angles from 90 degree to 11.25 degree, including standard and short patterned options and end of run adapters.

FEATURES

- Elbow Sizes: 1-1/4", 1-1/2", 2", 2-1/2", 3", 4", 6", 8", 10" Elbow Bend Angles: 90°, short radius 90°, 45°, 22.5°, 11.25°
- 90° Grooved End Adapter Outlets: NPT 1/2", 3/4", 1"
- Maximum Pressure: 1 1/4" – 4" Elbows 400 psi, 6"-10" Elbows 300 psi, Grooved End of Run Adapters 300 psi

APPROVALS AND APPLICABLE STANDARDS

UL® Listed, C-UL® Listed, FM® Approved

SIZE	INLET X OUTLET CONNECTIONS / OPTIONS	LEAD-FREE EXEMPT PART NUMBER
FP52 - 90 DEGREE ELBOW - STANDARD RADIUS		
1-1/4"	Grooved 90 degree elbow	114-FP52
1-1/2"	Grooved 90 degree elbow	112-FP52
2"	Grooved 90 degree elbow	2-FP52
2-1/2"	Grooved 90 degree elbow	212-FP52
3"	Grooved 90 degree elbow	3-FP52
4"	Grooved 90 degree elbow	4-FP52
6"	Grooved 90 degree elbow	6-FP52
8"	Grooved 90 degree elbow	8-FP52
10"	Grooved 90 degree elbow	10-FP52
FP52S - 90 DEGREE ELBOW - SHORT RADIUS		
1-1/4"	Grooved 90 degree elbow, short radius	114-FP52S
1-1/2"	Grooved 90 degree elbow, short radius	112-FP52S
2"	Grooved 90 degree elbow, short radius	2-FP52S
2-1/2"	Grooved 90 degree elbow, short radius	212-FP52S
3"	Grooved 90 degree elbow, short radius	3-FP52S
4"	Grooved 90 degree elbow, short radius	4-FP52S
6"	Grooved 90 degree elbow, short radius	6-FP52S
8"	Grooved 90 degree elbow, short radius	8-FP52S
FP52-45 - 45 DEGREE ELBOW - STANDARD RADIUS		
1-1/4"	Grooved 45 degree elbow	114-FP52-45
1-1/2"	Grooved 45 degree elbow	112-FP52-45
2"	Grooved 45 degree elbow	2-FP52-45
2-1/2"	Grooved 45 degree elbow	212-FP52-45
3"	Grooved 45 degree elbow	3-FP52-45
4"	Grooved 45 degree elbow	4-FP52-45
6"	Grooved 45 degree elbow	6-FP52-45
8"	Grooved 45 degree elbow	8-FP52-45
10"	Grooved 45 degree elbow	10-FP52-45
FP52-22 - 22.5 DEGREE ELBOW - STANDARD RADIUS		
1-1/2"	Grooved 22.5 degree elbow	112-FP52-22
2"	Grooved 22.5 degree elbow	2-FP52-22
2-1/2"	Grooved 22.5 degree elbow	212-FP52-22
3"	Grooved 22.5 degree elbow	3-FP52-22
4"	Grooved 22.5 degree elbow	4-FP52-22
6"	Grooved 22.5 degree elbow	6-FP52-22
8"	Grooved 22.5 degree elbow	8-FP52-22
FP52-11 - 11.25 DEGREE ELBOW - STANDARD RADIUS		
1-1/2"	Grooved 11.25 degree elbow	112-FP52-11
2"	Grooved 11.25 degree elbow	2-FP52-11
2-1/2"	Grooved 11.25 degree elbow	212-FP52-11
3"	Grooved 11.25 degree elbow	3-FP52-11
4"	Grooved 11.25 degree elbow	4-FP52-11
6"	Grooved 11.25 degree elbow	6-FP52-11
FP52GTF - END OF RUN ADAPTER		
1-1/4" by 1/2"	End of run elbow, grooved x Female NPT	114X12-FP52GTF
1-1/4" by 3/4"	End of run elbow, grooved x Female NPT	114X34-FP52GTF
1-1/4" by 1"	End of run elbow, grooved x Female NPT	114X1-FP52GTF
1-1/2" by 1/2"	End of run elbow, grooved x Female NPT	112X12-FP52GTF
1-1/2" by 3/4"	End of run elbow, grooved x Female NPT	112X34-FP52GTF
1-1/2" by 1"	End of run elbow, grooved x Female NPT	112X1-FP52GTF
2" by 1/2"	End of run elbow, grooved x Female NPT	2X12-FP52GTF
2" by 3/4"	End of run elbow, grooved x Female NPT	2X34-FP52GTF
2" by 1"	End of run elbow, grooved x Female NPT	2X1-FP52GTF
2-1/2" by 3/4"	End of run elbow, grooved x Female NPT	212X34-FP52GTF
2-1/2" by 1"	End of run elbow, grooved x Female NPT	212X1-FP52GTF

FP53 SERIES - TEES – STANDARD RADIUS, SHORT RADIUS (S), REDUCING BRANCH



APPLICATIONS

The Wilkins FP53 Tees provide branch connections for 1-1/4" through 10" pipes and are available tee short radius (S), tee standard radius and reducing branch tree.

FEATURES

Maximum Pressure: 1-1/4" - 4" Tees 400 psi, 6"-10" Tees 300 psi

APPROVALS AND APPLICABLE STANDARDS

UL® Listed, C-UL® Listed, FM® Approved

SIZE	INLET X OUTLET CONNECTIONS / OPTIONS	LEAD-FREE EXEMPT PART NUMBER
FP53 - TEE - STANDARD RADIUS		
1-1/4"	Grooved Tee	114-FP53
1-1/2"	Grooved Tee	112-FP53
2"	Grooved Tee	2-FP53
2-1/2"	Grooved Tee	212-FP53
3"	Grooved Tee	3-FP53
4"	Grooved Tee	4-FP53
6"	Grooved Tee	6-FP53
8"	Grooved Tee	8-FP53
10"	Grooved Tee	10-FP53
FP53S - TEE - SHORT RADIUS		
1-1/4"	Grooved Tee, short radius	114-FP53S
1-1/2"	Grooved Tee, short radius	112-FP53S
2"	Grooved Tee, short radius	2-FP53S
2-1/2"	Grooved Tee, short radius	212-FP53S
3"	Grooved Tee, short radius	3-FP53S
4"	Grooved Tee, short radius	4-FP53S
6"	Grooved Tee, short radius	6-FP53S
8"	Grooved Tee, short radius	8-FP53S
FP53 - REDUCING BRANCH TEE		
2-1/2" by 2"	Grooved Reducing Branch Tee	212X2-FP53
3" by 2"	Grooved Reducing Branch Tee	3X2-FP53
3" by 2-1/2"	Grooved Reducing Branch Tee	3X212-FP53
4" by 2"	Grooved Reducing Branch Tee	4X2-FP53
4" by 2-1/2"	Grooved Reducing Branch Tee	4X212-FP53
4" by 3"	Grooved Reducing Branch Tee	4X3-FP53
6" by 2"	Grooved Reducing Branch Tee	6X2-FP53
6" by 2-1/2"	Grooved Reducing Branch Tee	6X212-FP53
6" by 3"	Grooved Reducing Branch Tee	6X3-FP53
6" by 4"	Grooved Reducing Branch Tee	6X4-FP53
8" by 4"	Grooved Reducing Branch Tee	8X4-FP53
8" by 6"	Grooved Reducing Branch Tee	8X6-FP53

FP56 SERIES - CROSSES



APPLICATIONS

The Wilkins Model FP56 Crosses are standard grooved fittings to connect runs of pipe in crossing directions.

FEATURES

- Sizes: 2", 2-1/2", 3", 4", 6", 8"
Maximum Pressure: 2"-4" 400 psi, 6"-8" 300 psi

APPROVALS AND APPLICABLE STANDARDS

UL® Listed, C-UL® Listed, FM® Approved

SIZE	INLET X OUTLET CONNECTIONS / OPTIONS	LEAD-FREE EXEMPT PART NUMBER
FP56 - CROSSES		
2"	Grooved Cross	2-FP56
2-1/2"	Grooved Cross	212-FP56
3"	Grooved Cross	3-FP56
4"	Grooved Cross	4-FP56
6"	Grooved Cross	6-FP56
8"	Grooved Cross	8-FP56

FP3 SERIES - CAPS



APPLICATIONS

The Wilkins FP3 Caps are standard grooved pipe ends.

FEATURES

Maximum Pressure: 1-1/4" - 4" 400 psi, 6"-8" 300 psi

APPROVALS AND APPLICABLE STANDARDS

UL® Listed, C-UL® Listed, FM® Approved

SIZE	INLET X OUTLET CONNECTIONS / OPTIONS	LEAD-FREE EXEMPT PART NUMBER
FP3 - CAPS		
1-1/4"	Grooved Cap	114-FP3
1-1/2"	Grooved Cap	112-FP3
2"	Grooved Cap	2-FP3
2-1/2"	Grooved Cap	212-FP3
3"	Grooved Cap	3-FP3
4"	Grooved Cap	4-FP3
6"	Grooved Cap	6-FP3
8"	Grooved Cap	8-FP3

FP63 SERIES - MECHANICAL TEES - GROOVED (G), THREADED (TF), U-BOLT (LTF)



APPLICATIONS

The Wilkins Model FP63 mechanical tees provide a fast, convenient mid-pipe branch connections without welding. These parts are ideal for adding sprinkler to runs of pipe. A hole-locator collar secures the branch position; an EPDM gasket, molded to suit the pipe size seals the connection leak tight.

FEATURES

Maximum Pressure: 300 PSI

OPTIONS

- LTF - U-Bolted, Threaded female NPT outlet
- TF - Threaded female NPT outlet
- G - Grooved

APPROVALS AND APPLICABLE STANDARDS

UL® Listed, C-UL® Listed, FM® Approved

SIZE	INLET X OUTLET CONNECTIONS / OPTIONS	LEAD-FREE EXEMPT PART NUMBER
FP63G - GROOVED MECHANICAL TEES		
2" by 1-1/4"	Mechanical Tee, grooved outlet	2X114-FP63G
2-1/2" by 1-1/4"	Mechanical Tee, grooved outlet	212X114-FP63G
2-1/2" by 1-1/2"	Mechanical Tee, grooved outlet	212X112-FP63G
3" by 1-1/4"	Mechanical Tee, grooved outlet	3X114-FP63G
3" by 1-1/2"	Mechanical Tee, grooved outlet	3X112-FP63G
3" by 2"	Mechanical Tee, grooved outlet	3X2-FP63G
4" by 1-1/4"	Mechanical Tee, grooved outlet	4X114-FP63G
4" by 1-1/2"	Mechanical Tee, grooved outlet	4X112-FP63G
4" by 2"	Mechanical Tee, grooved outlet	4X2-FP63G
4" by 2-1/2"	Mechanical Tee, grooved outlet	4X212-FP63G
4" by 3"	Mechanical Tee, grooved outlet	4X3-FP63G
6" by 1-1/4"	Mechanical Tee, grooved outlet	6X114-FP63G
6" by 1-1/2"	Mechanical Tee, grooved outlet	6X112-FP63G
6" by 2"	Mechanical Tee, grooved outlet	6X2-FP63G
6" by 2-1/2"	Mechanical Tee, grooved outlet	6X212-FP63G
6" by 3"	Mechanical Tee, grooved outlet	6X3-FP63G
6" by 4"	Mechanical Tee, grooved outlet	6X4-FP63G
8" by 2"	Mechanical Tee, grooved outlet	8X2-FP63G
8" by 2-1/2"	Mechanical Tee, grooved outlet	8X212-FP63G
8" by 3"	Mechanical Tee, grooved outlet	8X3-FP63G
8" by 4"	Mechanical Tee, grooved outlet	8X4-FP63G
FP63TF - THREADED MECHANICAL TEES		
2" by 1"	Mechanical Tee, female NPT outlet	2X1-FP63TF
2" by 1-1/4"	Mechanical Tee, female NPT outlet	2X114-FP63TF
2" by 1-1/2"	Mechanical Tee, female NPT outlet	2X112-FP63TF
2-1/2" by 1"	Mechanical Tee, female NPT outlet	212X1-FP63TF
2-1/2" by 1-1/4"	Mechanical Tee, female NPT outlet	212X114-FP63TF
2-1/2" by 1-1/2"	Mechanical Tee, female NPT outlet	212X112-FP63TF
3" by 1"	Mechanical Tee, female NPT outlet	3X1-FP63TF
3" by 1-1/4"	Mechanical Tee, female NPT outlet	3X114-FP63TF
3" by 1-1/2"	Mechanical Tee, female NPT outlet	3X112-FP63TF
3" by 2"	Mechanical Tee, female NPT outlet	3X2-FP63TF
4" by 1"	Mechanical Tee, female NPT outlet	4X1-FP63TF
4" by 1-1/4"	Mechanical Tee, female NPT outlet	4X114-FP63TF
4" by 1-1/2"	Mechanical Tee, female NPT outlet	4X112-FP63TF
4" by 2"	Mechanical Tee, female NPT outlet	4X2-FP63TF
4" by 2-1/2"	Mechanical Tee, female NPT outlet	4X212-FP63TF
4" by 3"	Mechanical Tee, female NPT outlet	4X3-FP63TF
6" by 1-1/4"	Mechanical Tee, female NPT outlet	6X114-FP63TF
6" by 1-1/2"	Mechanical Tee, female NPT outlet	6X112-FP63TF
6" by 2"	Mechanical Tee, female NPT outlet	6X2-FP63TF
6" by 2-1/2"	Mechanical Tee, female NPT outlet	6X212-FP63TF
6" by 3"	Mechanical Tee, female NPT outlet	6X3-FP63TF
8" by 2"	Mechanical Tee, female NPT outlet	8X2-FP63TF
8" by 2-1/2"	Mechanical Tee, female NPT outlet	8X212-FP63TF
FP63LTF - U-BOLT MECHANICAL TEES		
1-1/4" by 1/2"	Mechanical Tee, U-bolt clamp, female NPT outlet	114X12-FP63LTF
1-1/4" by 3/4"	Mechanical Tee, U-bolt clamp, female NPT outlet	114X34-FP63LTF
1-1/4" by 1"	Mechanical Tee, U-bolt clamp, female NPT outlet	114X1-FP63LTF
1-1/2" by 1/2"	Mechanical Tee, U-bolt clamp, female NPT outlet	112X12-FP63LTF
1-1/2" by 3/4"	Mechanical Tee, U-bolt clamp, female NPT outlet	112X34-FP63LTF
1-1/2" by 1"	Mechanical Tee, U-bolt clamp, female NPT outlet	112X1-FP63LTF
2" by 1/2"	Mechanical Tee, U-bolt clamp, female NPT outlet	2X12-FP63LTF
2" by 3/4"	Mechanical Tee, U-bolt clamp, female NPT outlet	2X34-FP63LTF
2" by 1"	Mechanical Tee, U-bolt clamp, female NPT outlet	2X1-FP63LTF
2-1/2" by 1/2"	Mechanical Tee, U-bolt clamp, female NPT outlet	212X12-FP63LTF
2-1/2" by 3/4"	Mechanical Tee, U-bolt clamp, female NPT outlet	212X34-FP63LTF
2-1/2" by 1"	Mechanical Tee, U-bolt clamp, female NPT outlet	212X1-FP63LTF

FP8 SERIES - GROOVED FLANGES



APPLICATIONS

The Wilkins FP8 Grooved Flanges are standard converters for connecting flanges to grooved or threaded pipes.

FEATURES

- Sizes: 2", 2-1/2", 3", 4", 6", 8", 10"
Maximum Pressure: 300 psi

APPROVALS AND APPLICABLE STANDARDS

UL® Listed, C-UL® Listed, FM® Approved

SIZE	INLET X OUTLET CONNECTIONS / OPTIONS	LEAD-FREE EXEMPT PART NUMBER
FP8 - GROOVED FLANGES		
2"	Grooved split ring flange adapter	2-FP8
2-1/2"	Grooved split ring flange adapter	212-FP8
3"	Grooved split ring flange adapter	3-FP8
4"	Grooved split ring flange adapter	4-FP8
6"	Grooved split ring flange adapter	6-FP8
8"	Grooved split ring flange adapter	8-FP8
10"	Grooved split ring flange adapter	10-FP8

FP51 SERIES - GROOVED REDUCERS



APPLICATIONS

The Wilkins FP51 Grooved Reducers connect pipes of different sizes.

FEATURES

- Maximum Pressure: 2X - 4X 400 psi , 6X - 10X 300 psi
Concentric grooved-grooved, grooved-male, and grooved-female options are available.
Grooved-grooved reducers are also available for eccentric pipe alignment.

APPROVALS AND APPLICABLE STANDARDS

UL® Listed, C-UL® Listed, FM® Approved

SIZE	INLET X OUTLET CONNECTIONS / OPTIONS	LEAD-FREE EXEMPT PART NUMBER
FP51 - GROOVED REDUCERS		
2-1/2" by 1"	Grooved x Grooved Concentric Reducer	2X1-FP51
2-1/2" by 1-1/4"	Grooved x Grooved Concentric Reducer	2X114-FP51
2-1/2" by 1-1/2"	Grooved x Grooved Concentric Reducer	2X112-FP51
2-1/2" by 1-1/2"	Grooved x Grooved Concentric Reducer	212X112-FP51
2-1/2" by 2"	Grooved x Grooved Concentric Reducer	212X2-FP51
3" by 2"	Grooved x Grooved Concentric Reducer	3X2-FP51
3" by 2-1/2"	Grooved x Grooved Concentric Reducer	3X212-FP51
4" by 2"	Grooved x Grooved Concentric Reducer	4X2-FP51
4" by 2-1/2"	Grooved x Grooved Concentric Reducer	4X212-FP51
4" by 2"	Grooved x Grooved Concentric Reducer	4X3-FP51
4" by 3"	Grooved x Grooved Concentric Reducer	6X2-FP51
6" by 2"	Grooved x Grooved Concentric Reducer	6X3-FP51
6" by 3"	Grooved x Grooved Concentric Reducer	6X4-FP51
6" by 4"	Grooved x Grooved Concentric Reducer	8X3-FP51
8" by 3"	Grooved x Grooved Concentric Reducer	8X4-FP51
8" by 4"	Grooved x Grooved Concentric Reducer	8X6-FP51
10" by 6"	Grooved x Grooved Concentric Reducer	10X6-FP51
10" by 8"	Grooved x Grooved Concentric Reducer	10X8-FP51

BACKFLOW PREVENTERS
BACKFLOW PREVENTERS ACCESSORIES
STRAINERS
AUTOMATIC CONTROL VALVES
PRESSURE REDUCING VALVES
FIRE PROTECTION VALVES
THERMOSTATIC MIXING VALVES
RELIEF VALVES
MISCELLANEOUS PLUMBING PRODUCTS
REPAIR KITS

NOTES

BACKFLOW
PREVENTERS

BACKFLOW PREVENTERS
ACCESSORIES

STRAINERS

AUTOMATIC
CONTROL VALVES

PRESSURE
REDUCING VALVES

FIRE
PROTECTION VALVES

THERMOSTATIC
MIXING VALVES

RELIEF VALVES

MISCELLANEOUS
PLUMBING PRODUCTS

REPAIR KITS

THERMOSTATIC MIXING VALVES

Wilkins thermostatic mixing valves protect users from scalding injuries while maintaining efficient temperatures to inhibit the growth of bacteria.

ZW1017XL – AQUA-GARD® THERMOSTATIC MIXING VALVE (ASSE 1017 POINT OF SOURCE)	108
ZW1017XLHT – AQUA-GARD® THERMOSTATIC MIXING VALVE (ASSE 1017 POINT OF SOURCE)	109
ZW1070XL – AQUA-GARD® THERMOSTATIC MIXING VALVE (ASSE 1070 POINT OF USE)	110
ZW3870XL – THERMOSTATIC MIXING VALVE (ASSE 1070 POINT OF USE)	111
THERMOSTATIC MIXING VALVES ACCESSORIES	112
TPKXL SERIES – TAILPIECE KITS	112

ZW1017XL – AQUA-GARD® THERMOSTATIC MIXING VALVE (ASSE 1017 POINT OF SOURCE)



APPLICATIONS

Designed to be used at the hot water source (residential and most light commercial installations) to mix hot and cold water in the distribution system.

FEATURES

- 3/8" - 1"
- Flow Capacity - 18 GPM @ 45 psi pressure loss
- Outlet temperature range of 95° - 131°F
- Integral check valves and stainless steel strainers (no strainer in 38-ZW1017XLCOMP)
- Multiple tailpiece options provide installation flexibility

APPROVALS AND APPLICABLE STANDARDS

- Certified to ASSE Standard 1017, CSA® Certified, cUPC® Listed
- Certified to NSF/ANSI 61 and 372

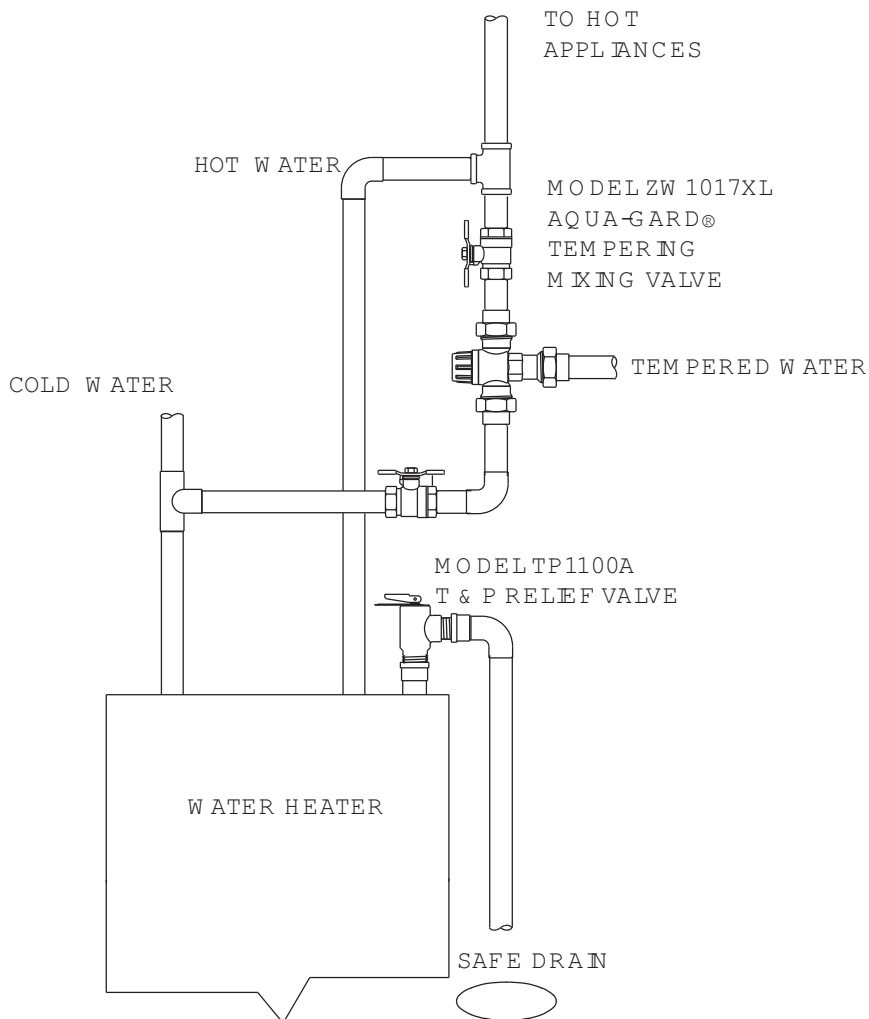
TYPICAL INSTALLATION

WARNING: This device should never be installed at the point of use where the end user could change its setting. Point of use device must be of the ASSE 1070 variety. It is recommended that the ZW1017XL be installed with a shut-off valve and thermometer in the tempered water line to provide accurate and safe water mixing temperatures, to be used in conjunction with an ASSE 1070 device.

Systems distribution application. Not to be used at point of use.

SIZE	INLET X OUTLET CONNECTIONS / OPTIONS	LEAD-FREE PART NUMBER
ZW1017XL-LU: LESS UNIONS AND TAILPIECES, ASSE 1017		
	ZW1017XL valve less unions	ZW1017XL-LU
ZW1017XL: SUPPLIED WITH THREE FNPT TAILPIECES AND UNION NUTS		
1/2"	1/2" FNPT, ASSE 1017	12-ZW1017XL
3/4"	3/4" FNPT, ASSE 1017	34-ZW1017XL
3/4"	3/4" FNPT, ASSE 1017, Less Internal Screens	34-ZW1017XL-LS
ZW1017XL: SUPPLIED WITH THREE MNPT TAILPIECES AND UNION NUTS		
3/4"	3/4" MNPT, ASSE 1017	34-ZW1017XLM
ZW1017XLC: SUPPLIED WITH THREE FEMALE COPPER SWEAT TAILPIECES AND UNION NUTS		
1/2"	1/2" Female CU SWT, ASSE 1017	12-ZW1017XLC
3/4"	3/4" Female CU SWT, ASSE 1017	34-ZW1017XLC
1"	1" Female CU SWT, ASSE 1017	1-ZW1017XLC
ZW1017XLCPVC: SUPPLIED WITH THREE FEMALE CPVC TAILPIECES AND UNION NUTS		
1/2"	1/2" CPVC, ASSE 1017	12-ZW1017XLCPVC
3/4"	3/4" CPVC, ASSE 1017	34-ZW1017XLCPVC
ZW1017XLPEX: SUPPLIED WITH THREE MALE PEX TAILPIECES AND UNION NUTS		
1/2"	1/2" PEX, ASSE 1017	12-ZW1017XLPEX
3/4"	3/4" PEX, ASSE 1017	34-ZW1017XLPEX
ZW1017XLCOMP: SUPPLIED WITH THREE 3/8" COMPRESSION TAILPIECES AND UNION NUTS		
3/8"	3/8" Compression, ASSE 1017	38-ZW1017XLCOMP

TYPICAL INSTALLATION



ZW1017XLHT – AQUA-GARD® THERMOSTATIC MIXING VALVE (ASSE 1017 POINT OF SOURCE)



APPLICATIONS

Designed to be used at the hot water source with higher temperature applications (hydronic/radiant heating) to mix hot and cold water in the distribution system.

FEATURES

- 3/8" - 1"
- Flow capacity - 18 GPM @ 45 psi pressure loss
- Outlet temperature range of 80° - 165°F
- Integral check valves and stainless steel strainers (no strainer in 38-ZW1017XLHTCOMP)
- Multiple tailpiece options provide installation flexibility

APPROVALS AND APPLICABLE APPLICATIONS

- Certified to ASSE standard 1017, cUPC® Listed
- Certified to NSF/ANSI 61 and 372

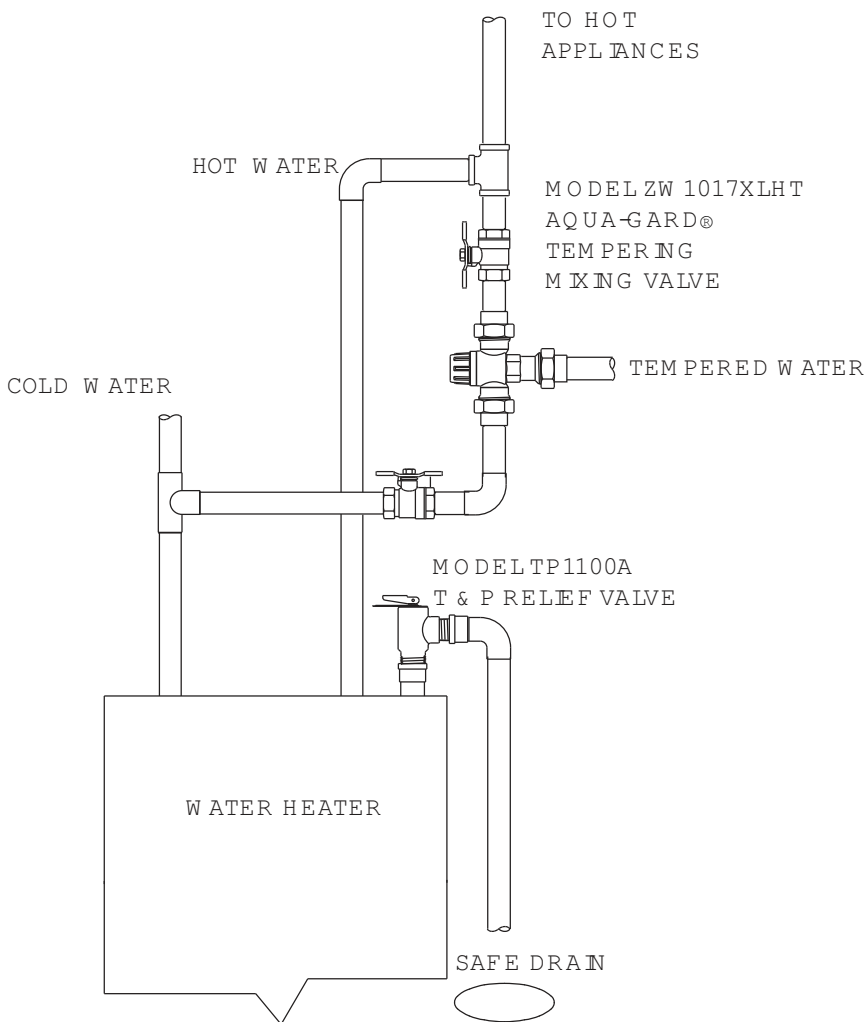
TYPICAL INSTALLATION

WARNING: This device should never be installed at the point of use where the end user could change its setting. It is recommended that the ZW1017XLHT be installed with shut-off valve and thermometer in the tempered water line to provide accurate and safe water mixing temperature.

Radiant heat systems distribution application. Not to be used at point of use

SIZE	INLET X OUTLET CONNECTIONS / OPTIONS	LEAD-FREE PART NUMBER
ZW1017XLHT-LU: LESS UNIONS AND TAILPIECES, ASSE 1017		
	ZW1017XLHT valve less unions	ZW1017XLHT-LU
ZW1017XLHT: SUPPLIED WITH THREE FNPT TAILPIECES AND UNION NUTS		
1/2"	1/2" FNPT, ASSE 1017	12-ZW1017XLHT
3/4"	3/4" FNPT, ASSE 1017	34-ZW1017XLHT
ZW1017XLHTM: SUPPLIED WITH THREE MNPT TAILPIECES AND UNION NUTS		
3/4"	3/4" MNPT, ASSE 1017	34-ZW1017XLHTM
ZW1017XLHTC: SUPPLIED WITH THREE FEMALE COPPER SWEAT TAILPIECES AND UNION NUTS		
1/2"	1/2" Female CU SWT, ASSE 1017	12-ZW1017XLHTC
3/4"	3/4" Female CU SWT, ASSE 1017	34-ZW1017XLHTC
1"	1" Female CU SWT, ASSE 1017	1-ZW1017XLHTC
ZW1017XLHTCPVC: SUPPLIED WITH THREE FEMALE CPVC TAILPIECES AND UNION NUTS		
1/2"	1/2" CPVC, ASSE 1017	12-ZW1017XLHTCPVC
3/4"	3/4" CPVC, ASSE 1017	34-ZW1017XLHTCPVC
ZW1017XLHTPEX: SUPPLIED WITH THREE MALE PEX TAILPIECES AND UNION NUTS		
1/2"	1/2" PEX, ASSE 1017	12-ZW1017XLHTPEX
3/4"	3/4" PEX, ASSE 1017	34-ZW1017XLHTPEX
ZW1017XLHTCOMP: SUPPLIED WITH THREE 3/8" COMPRESSION TAILPIECES AND UNION NUTS		
3/8"	3/8" Compression, ASSE 1017	38-ZW1017XLHTCOMP

TYPICAL INSTALLATION



ZW1070XL – AQUA-GARD® THERMOSTATIC MIXING VALVE (ASSE 1070 POINT OF USE)



SIZE	INLET X OUTLET CONNECTIONS / OPTIONS	LEAD-FREE PART NUMBER
ZW1070XL-LU: LESS UNIONS AND TAILPIECES, ASSE 1070		
	ZW1070XL valve less unions	ZW1070XL-LU
ZW1070XL: SUPPLIED WITH THREE FNPT TAILPIECES AND UNION NUTS		
1/2"	1/2" FNPT, ASSE 1070	12-ZW1070XL
3/4"	3/4" FNPT, ASSE 1070	34-ZW1070XL
ZW1070XLM: SUPPLIED WITH THREE MNPT TAILPIECES AND UNION NUTS		
3/4"	3/4" MNPT, ASSE 1070	34-ZW1070XLM
ZW1070XLC: SUPPLIED WITH THREE FEMALE COPPER SWEAT TAILPIECES AND UNION NUTS		
1/2"	1/2" Female CU SWT, ASSE 1070	12-ZW1070XLC
3/4"	3/4" Female CU SWT, ASSE 1070	34-ZW1070XLC
1"	1" Female CU SWT, ASSE 1070	1-ZW1070XLC
ZW1070XLCPVC: SUPPLIED WITH THREE FEMALE CPVC TAILPIECES AND UNION NUTS		
1/2"	1/2" CPVC, ASSE 1070	12-ZW1070XLCPVC
3/4"	3/4" CPVC, ASSE 1070	34-ZW1070XLCPVC
ZW1070XLPEX: SUPPLIED WITH THREE MALE PEX TAILPIECES AND UNION NUTS		
1/2"	1/2" PEX, ASSE 1070	12-ZW1070XLPEX
3/4"	3/4" PEX, ASSE 1070	34-ZW1070XLPEX
ZW1070XLCOMP: SUPPLIED WITH THREE COMPRESSION TAILPIECES AND UNION NUTS		
3/8"	3/8" Compression, ASSE 1070	38-ZW1070XLCOMP

APPLICATIONS

Designed to be installed at the point of use (residential and most light commercial installations) to mix hot and cold water from the distribution system to a final safer temperature.

FEATURES

- 3/8" - 1"
- Flow capacity - 10 GPM @ 45 psi pressure loss
- Final safe temperature range of 95° - 115°F
- Set temp accuracy ±3°F
- Minimum Flow Rate: 0.35 GPM
- Integral check valves and stainless steel strainers (no strainer in 38-ZW1070XLCOMP)
- Rough chrome plated
- Multiple tailpiece options provide installation flexibility

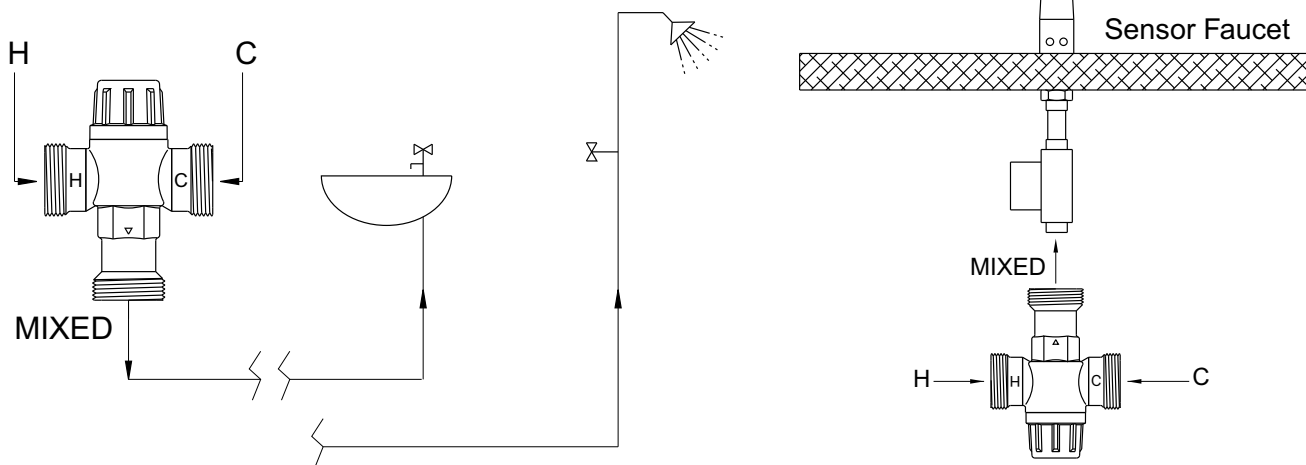
APPROVALS AND APPLICABLE APPLICATIONS

- ASSE® Listed 1070, CSA® Certified, cUPC® Listed
- Certified to NSF/ANSI 61 and 372

TYPICAL INSTALLATION

The device is designed to be installed at a single outlet. It may be used to supply multiple individual outlets when there is sufficient supply pressure. It is suggested to use ball valves on the hot and cold inlet supplies.

TYPICAL INSTALLATION



ZW3870XL – THERMOSTATIC MIXING VALVE (ASSE 1070 POINT OF USE)



SIZE	INLET X OUTLET CONNECTIONS / OPTIONS	LEAD-FREE PART NUMBER
ZW3870XLT		
3/8"	3/8" Compression, ASSE 1070, 3 Port	38-ZW3870XLT
3/8"	3/8" Compression, ASSE 1070, 4 Port	38-ZW3870XLT-4P
ZW3870XLTF		
3/8"	3/8" Compression, flush mode, ASSE 1070, 3 Port	ZW3870XLTF
3/8"	3/8" Compression, flush mode, ASSE 1070, 4 Port	ZW3870XLTF-4P

APPLICATIONS

Designed to be installed with 3/8" point of use applications (residential and light commercial installations) to mix hot and cold water from the distribution system to a final safer temperature.

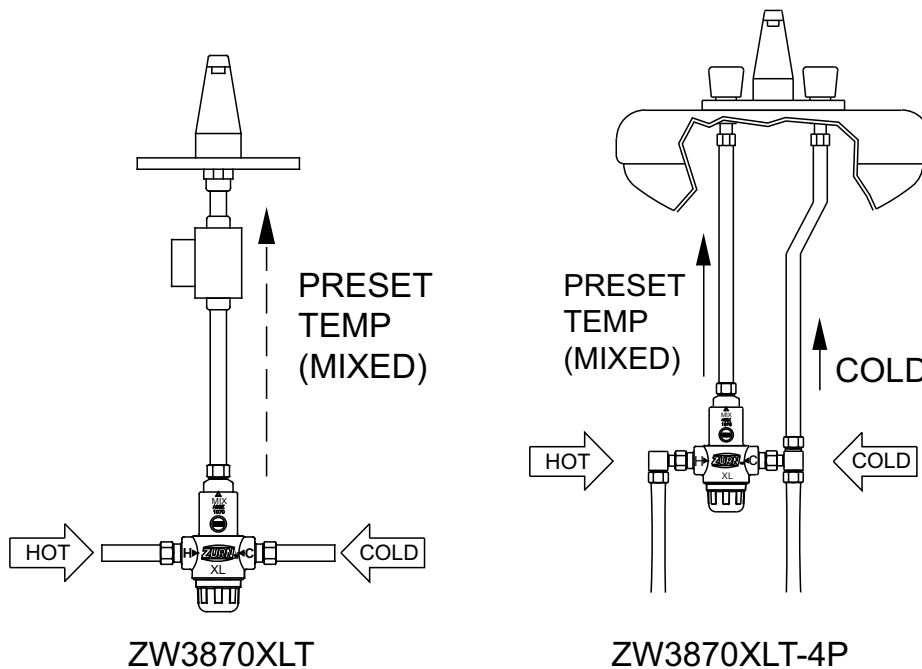
FEATURES

- 3/8" Compression
- Flow rate - 3.10 GPM @ 45 psi pressure loss
- Outlet temperature range: 95 – 115°F (35 – 46°C)
- Set temperature accuracy: ±3°F (1.78°C)
- Minimum flow rate: 0.25 GPM
- -4P option allows cold water bypass for dual handle sinks
- Integral check valves
- Includes wall clamp
- Optional flush mode allows for untempered hot water flush

APPROVALS AND APPLICABLE STANDARDS

- Certified to ASSE 1070, CSA® Certified, cUPC® Listed
- Certified to NSF/ANSI 61 and 372

TYPICAL INSTALLATION



THERMOSTATIC MIXING VALVES ACCESSORIES

TPKXL SERIES – TAILPIECE KITS



APPLICATIONS

Designed for connection in different types of plumbing systems, to install pressure reducing valves (regulators) and thermostatic mixing valves. Available in a variety of sizes and end connections.

FEATURES

- 3/8" - 1"
- Configurations include male NPT, female NPT, female copper sweat, male copper sweat, PEX barb, CPVC, compression, Z-Bite™ push type, Z-Press™ press type, and extended retrofit options
- Cast brass union nut
- EPDM gasket

ACCESSORIES

- TMV-3 – CBNP Wall Access Cover

SIZE	INLET X OUTLET CONNECTIONS / OPTIONS	LEAD-FREE PART NUMBER
TPKXL: NPT CONNECTIONS		
1/2" x 3/4"	1/2" Female NPT x 3/4" Union	12X34-TPKXL
3/4"	Female NPT Union	34-TPKXL
3/4"	Male NPT Union	34-TPKXLM
TPKXLS: NPT CONNECTIONS WITH STAINLESS STEEL STRAINER		
1/2" x 3/4"	1/2" Female NPT x 3/4" Union, SS Strainer	12X34-TPKXLS
3/4"	Female NPT Union, SS Strainer	34-TPKXLS
3/4"	Male NPT Union, SS Strainer	34-TPKXLSM
TPKXLC: COPPER SWEAT CONNECTIONS		
1/2" x 3/4"	1/2" Female CU SWT x 3/4" Union	12X34-TPKXLC
3/4"	Female CU SWT Union	34-TPKXLC
1" x 3/4"	1" Female CU SWT x 3/4" Union	1X34-TPKXLC
TPKXLCS: COPPER SWEAT CONNECTIONS WITH STAINLESS STEEL STRAINER		
1/2" x 3/4"	1/2" Female CU SWT x 3/4" Union, SS Strainer	12X34-TPKXLCS
3/4"	Female CU SWT Union, SS Strainer	34-TPKXLCS
1" x 3/4"	1" Female CU SWT x 3/4" Union, SS Strainer	1X34-TPKXLCS
TPKCPVC: CPVC CONNECTIONS		
1/2" x 3/4"	1/2" CPVC, 3/4" Union	12X34-TPKCPVC
3/4"	CPVC Union	34-TPKCPVC
TPKCPVCS: CPVC CONNECTIONS WITH STAINLESS STEEL STRAINER		
1/2" x 3/4"	1/2" CPVC x 3/4" Union, SS Strainer	12X34-TPKCPVCS
3/4"	CPVC Union, SS Strainer	34-TPKCPVCS
TPKXLPEX: PEX UNION TAILPIECE KIT		
1/2" x 3/4"	1/2" PEX x 3/4" Union	12X34-TPKXLPEX
3/4"	PEX Union	34-TPKXLPEX
TPKXLCOMP: COMPRESSION UNION TAILPIECE KIT		
3/8" x 3/4"	3/8" Compression x 3/4" Union	38X34-TPKXLCOMP
TPKXLPF: Z-BITE™ PUSH-TYPE SOLDERLESS TAILPIECE KIT		
1/2" x 3/4"	1/2" Push Fitting x 3/4" Union	12X34-TPKXLPF
1/2" x 3/4"	1/2" Push Fitting x 3/4" Union, SS Screen	12X34-TPKXLPFSS
3/4"	3/4" Push Fitting x Union	34-TPKXLPF
TPKXLPR: Z-PRESS™ PRESS-TYPE SOLDERLESS TAILPIECE KIT		
3/4"	3/4" Press Fitting x Union	34-TPKXLPR
MISC. OPTIONS		
3/8"	Thermostatic Mixing Valve 3/8" Compression 4 Port Elbow Tee Kit	ZW3870XLT-4P-KIT

RELIEF VALVES

Protecting sensitive equipment from over-pressurizing and high temperatures is accomplished with relief valves. The Wilkins pressure and temperature, and pressure relief valves are the perfect choice against excessive line pressure and high temperatures.

TP1100A SERIES – RESIDENTIAL TEMPERATURE AND PRESSURE VALVE	114
TP220 SERIES – COMMERCIAL TEMPERATURE AND PRESSURE VALVE	114
TP3000 SERIES – COMMERCIAL TEMPERATURE AND PRESSURE VALVE	115
P1000AXL SERIES – PRESSURE RELIEF VALVE	116
P1500XL SERIES – CALIBRATED PRESSURE RELIEF VALVE	116
P1520XL/1550XL SERIES – THERMAL EXPANSION PRESSURE RELIEF VALVE	117
HBRV – HOSE BIBB RELIEF VALVE	117

TP1100A SERIES – RESIDENTIAL TEMPERATURE AND PRESSURE VALVE



APPROVALS AND APPLICABLE STANDARDS

- CSA Compliance to ANSI Z21.22/CSA 4.4
- Certified to ASME Section IV by National Board

ACCESSORIES

- Expansion tank (Model XT)
- Water pressure reducing valve (Model NR3XL)
- Vacuum relief valve (Model VR10XL)
- Expansion control ball valves (Model BVECL)

TYPICAL INSTALLATION

For Installation Drawing Please See Page Number 115

APPLICATIONS

Designed for installation on residential water heaters to protect against over-temperature or excessive pressure.

FEATURES

- 3/4"
- Relieving pressure 150 psi, also available in 75 and 125 psi
- Relieving temperature 210°F
- Exposed probe is protected with an electrostatic epoxy coating
- Male NPT inlet, female NPT outlet

SIZE	INLET X OUTLET CONNECTIONS / OPTIONS	LEAD-FREE EXEMPT PART NUMBER
TP1100A: MNPT X FNPT		
3/4"	2" Probe, Set at 150	TP1100A-2C-150C
3/4"	4" Probe, Set at 75	TP1100A-4C-75C
3/4"	4" Probe, Set at 125	TP1100A-4C-125C
3/4"	4" Probe, Set at 150	TP1100A-4C-150C
3/4"	8" Probe, Set at 150	TP1100A-8C-150C
TP1100AE: MNPT X FNPT, EXTENDED SHANK		
3/4"	3" Probe, Set at 150	TP1100AE-3C-150C
TP1100AEE: MNPT X FNPT, EXTRA EXTENDED SHANK		
3/4"	3" Probe, Set at 150	TP1100AEE-3C-150C

TP220 SERIES – COMMERCIAL TEMPERATURE AND PRESSURE VALVE



APPROVAL AND APPLICABLE STANDARDS

- CSA Compliance to ANSI Z21.22/CSA 4.4
- Certified to ASME Section IV by National Board

ACCESSORIES

- Expansion tank (Model WXTP or XT)
- Water pressure reducing valve (Model NR3XL)
- Vacuum relief valve (Model VR10XL)
- Expansion control ball valves (Model BVECL)

TYPICAL INSTALLATION

For Installation Drawing Please See Page Number 115

APPLICATIONS

Designed for installation on commercial water heaters to protect against over-temperature or excessive pressure.

FEATURES

- 3/4"
- Relieving pressure 150 psi, also available in 125 psi
- Relieving temperature 210°F
- Probe is protected with an electrostatic epoxy coating
- Available with male NPT inlet (male standard)
- Female NPT outlet

SIZE	INLET X OUTLET CONNECTIONS / OPTIONS	LEAD-FREE EXEMPT PART NUMBER
TP220: MNPT X FNPT		
3/4"	5" Probe, Set at 125	TP220-5C-125C
3/4"	5" Probe, Set at 150	TP220-5C-150C
3/4"	8" Probe, Set at 150	TP220-8C-150C

TP3000 SERIES - COMMERCIAL TEMPERATURE AND PRESSURE VALVE



APPROVALS AND APPLICABLE STANDARDS

- CSA Compliance to ANSI Z21.22/CSA 4.4
- Certified to ASME Section IV by National Board

ACCESSORIES

- Expansion tank (Model WXTP)
- Water pressure reducing valve (Model NR3XL)
- Vacuum relief valve (Model VR10XL)
- Expansion control ball valves (Model BVECL)

TYPICAL INSTALLATION

For Installation Drawing Please See Below

APPLICATIONS

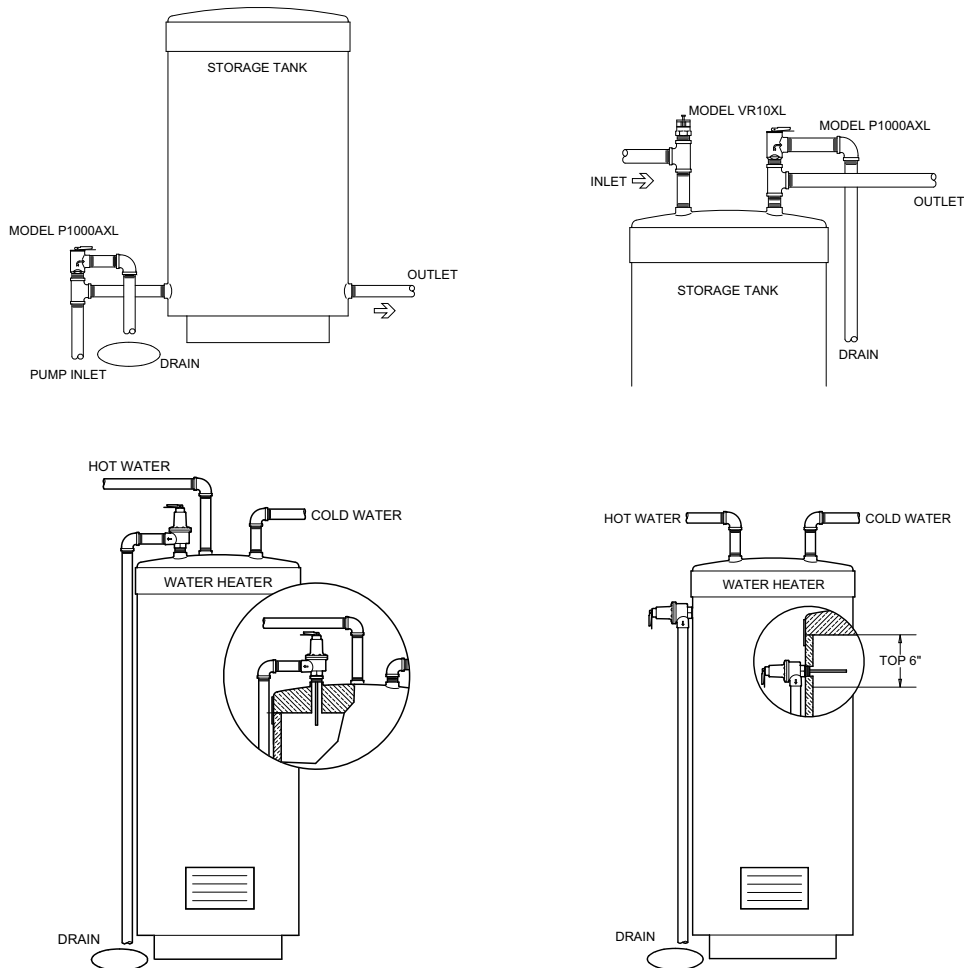
Designed for installation on commercial water heaters to protect against over-temperature or excessive pressure.

FEATURES

- 1"
- Relieving pressure 150 psi (standard), available in 75, 100, and 125 psi
- Relieving temperature 210°F
- Probe is protected with an electrostatic epoxy coating
- Female NPT inlet and outlet

SIZE	INLET X OUTLET CONNECTIONS / OPTIONS	LEAD-FREE EXEMPT PART NUMBER
TP3000: FNPT X FNPT		
1"	5" Probe, Set at 75	TP3000-5C-75C
1"	5" Probe, Set at 100	TP3000-5C-100C
1"	5" Probe, Set at 125	TP3000-5C-125C
1"	5" Probe, Set at 150	TP3000-5C-150C
1"	8" Probe, Set at 125	TP3000-8C-125C
1"	8" Probe, Set at 150	TP3000-8C-150C

TP1000A/TP220/TP3000/P1000AXL SERIES - TYPICAL INSTALLATION DRAWING



For additional product information, please visit www.zurn.com.

P1000AXL SERIES – PRESSURE RELIEF VALVE



APPROVALS AND APPLICABLE STANDARDS

- CSA Compliance to ANSI Z21.22/CSA 4.4
- Certified to ASME Section IV by National Board

ACCESSORIES

- Expansion tank (Model WXTP & XT)
- Water pressure reducing valve (Model NR3XL)
- Vacuum relief valve (Model VR10XL)
- Expansion control ball valves (Model BVECL)

TYPICAL INSTALLATION

For Installation Drawing Please See Page Number 115

APPLICATIONS

Designed for installation on potable water systems and storage tanks to protect against excessive pressure.

FEATURES

- 3/4"
- Available in 30, 75, 125, and 150 psi settings (150 psi standard)
- Male NPT inlet, female NPT outlet

SIZE	INLET X OUTLET CONNECTIONS / OPTIONS	LEAD-FREE PART NUMBER
P1000AXL: MNPT X FNPT		
3/4"	Set at 30	P1000AXL-30C
3/4"	Set at 75	P1000AXL-75C
3/4"	Set at 125	P1000AXL-125C
3/4"	Set at 150	P1000AXL-150C

P1500XL SERIES – CALIBRATED PRESSURE RELIEF VALVE



SIZE	INLET X OUTLET CONNECTIONS / OPTIONS	LEAD-FREE PART NUMBER
P1500XL: CALIBRATED PRESSURE RELIEF VALVE		
1/2"	MNPT 1/2" x FNPT 1/2"	12-P1500XL
3/4"	MNPT 3/4" x FNPT 1/2"	34-P1500XL

TYPICAL INSTALLATION

APPLICATIONS

Designed for installation on cold water service lines as a means of protection against excessive pressure buildup. These devices are for pressure only and should be used in conjunction with other temperature limiting devices. Also suitable for static relief, low capacity pump relief, passive solar, thermal expansion relief and other similar uses in commercial and industrial applications.

FEATURES

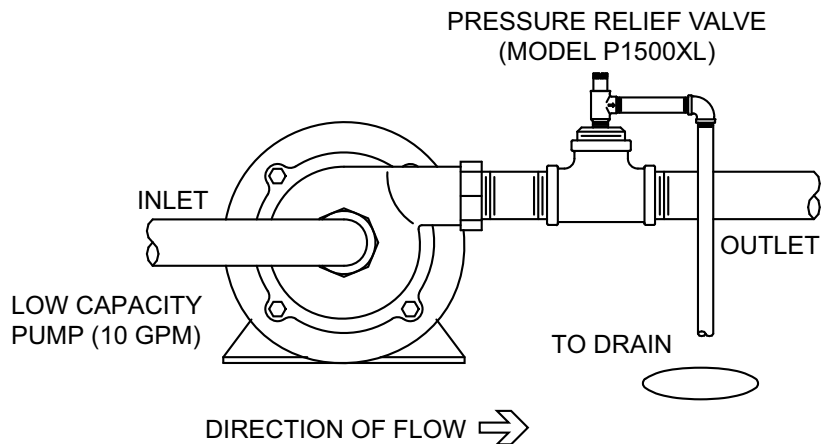
- 1/2", 3/4"
- Calibrated adjustments from 25 to 175 psi
- All bronze body
- Scale permanently etched on stem
- Male NPT inlet, female NPT outlet

APPROVALS AND APPLICABLE STANDARDS

- Certified to NSF/ANSI 372

ACCESSORIES

- Water Pressure Reducing Valve (Model NR3XL)
- Vacuum Relief Valve (Model VR10XL)



P1520XL/1550XL SERIES – THERMAL EXPANSION PRESSURE RELIEF VALVE



APPLICATIONS

Designed for installation on cold water service lines as a means of protection against excessive pressure buildup. These devices are for pressure only and should be used in conjunction with other temperature limiting devices. Also suitable for static relief, low capacity pump relief, passive solar, thermal expansion relief and other similar uses in commercial and industrial applications.

FEATURES

- 1/2", 3/4"
- For pressure relief only
- Pressure settings 50, 75, 100, or 125 psi
- Male NPT inlet, female NPT outlet

APPROVALS AND APPLICABLE STANDARDS

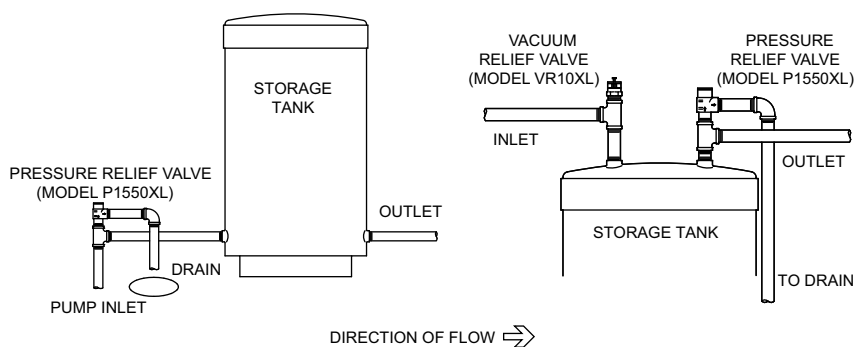
- Certified to NSF/ANSI 372

ACCESSORIES

- Water pressure reducing valve (Model NR3XL)
- Vacuum relief valve (Model VR10XL)

SIZE	INLET X OUTLET CONNECTIONS / OPTIONS	LEAD-FREE PART NUMBER
P1520XL: THERMAL EXPANSION PRESSURE RELIEF VALVE		
1/2"	MNPT 1/2" x FNPT 1/2", set at 50	12-P1520XL-50
1/2"	MNPT 1/2" x FNPT 1/2", set at 75	12-P1520XL-75
1/2"	MNPT 1/2" x FNPT 1/2", set at 100	12-P1520XL-100
1/2"	MNPT 1/2" x FNPT 1/2", set at 125	12-P1520XL-125
3/4"	MNPT 3/4" x FNPT 3/4", set at 50	34-P1520XL-50
3/4"	MNPT 3/4" x FNPT 3/4", set at 75	34-P1520XL-75
3/4"	MNPT 3/4" x FNPT 3/4", set at 100	34-P1520XL-100
3/4"	MNPT 3/4" x FNPT 3/4", set at 125	34-P1520XL-125
P1550XL: THERMAL EXPANSION PRESSURE RELIEF VALVE		
1/2"	MNPT 1/2" x FNPT 1/2", Set at 75	12-P1550XL-75
1/2"	MNPT 1/2" x FNPT 1/2", Set at 125	12-P1550XL-125
3/4"	MNPT 3/4" x FNPT 1/2", Set at 75	34-P1550XL-75
3/4"	MNPT 3/4" x FNPT 1/2", Set at 125	34-P1550XL-125

TYPICAL INSTALLATION



HBRV – HOSE BIBB RELIEF VALVE



APPLICATIONS

Designed for installation on washing machine fill valve to provide protection from thermal expansion. The HBRV is to be threaded on the cold water washing machine fill valve using an adapter (not provided). The washing machine fill hose is then attached to the HBRV. The device is for pressure relief only and should be used in conjunction with other temperature limiting devices.

FEATURES

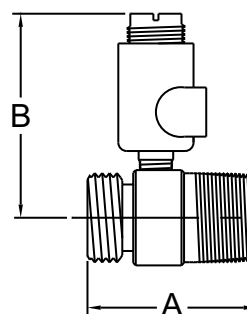
- 3/4"

ACCESSORIES

- Water hammer arrestor (Model 1250XL)
- Water pressure reducing valve (Model NR3XL)
- Temperature and pressure relief valve (Model TP1100A)

SIZE	INLET X OUTLET CONNECTIONS / OPTIONS	LEAD-FREE PART NUMBER
HBRV: HOSE BIBB RELIEF VALVE		
3/4"	Washing machine fill valve	100-HBRV

TYPICAL INSTALLATION



NOTES

BACKFLOW
PREVENTERS

BACKFLOW PREVENTERS
ACCESSORIES

STRAINERS

AUTOMATIC
CONTROL VALVES

PRESSURE
REDUCING VALVES

FIRE
PROTECTION VALVES

THERMOSTATIC
MIXING VALVES

RELIEF VALVES

MISCELLANEOUS
PLUMBING PRODUCTS

REPAIR KITS

MISCELLANEOUS PLUMBING PRODUCTS

Wilkins offers a variety of plumbing accessories, such as thermal expansion tanks and water hammer arresters to ensure a complete plumbing system solution.

ZCSM-RP – CONNECTED REMOTE PRESSURE MONITOR	120
GATEWAY	120
XT SERIES – POTABLE WATER EXPANSION TANK	121
WXTP SERIES – POTABLE WATER EXPANSION TANK	121
WTTA SERIES – ASME THERMAL EXPANSION TANK	122
HXT SERIES – HYDRONIC EXPANSION TANK	122
BVECXL SERIES – WATER HEATER SHUT-OFF VALVE WITH INTEGRAL THERMAL EXPANSION RELIEF VALVE	123
1260XL SERIES – WATER HAMMER ARRESTERS	124
25 SERIES – PRESSURE GAUGE	124
VR10XL SERIES – VACUUM RELIEF VALVE	125
DUXL/DUXLC SERIES – DIELECTRIC UNIONS	126



APPROVALS AND APPLICABLE SPECIFICATIONS

Meets the requirements of NSF/ANSI 61

IMPORTANT

The ZCSM-RP Connected Remote Pressure Monitor must have one Gateway installed within a 1,000 ft radius. Communicates via Ethernet or LTE.

TYPICAL INSTALLATION

IMPORTANT: The ZCSM-RP Connected Remote Pressure Monitor should be installed indoors in a dry location. Outdoor installations, direct sunlight, or high humidity may affect the life of the product. Avoid installing the device where the device or cables may extend into walkways or present a tripping hazard. The Connected Remote Pressure Monitor can be installed on any existing test port in your plumbing system. Flush all dirt and debris from the system connection before installation. Wrench on the brass fittings to install. Bleed air from system, if applicable.

SIZE	LEAD-FREE PART NUMBER
ZCSM-RP: CONNECTED REMOTE PRESSURE MONITOR	
1/4", 1/2", 3/4"	ZCSM-RP

GATEWAY

DESCRIPTION	LEAD-FREE PART NUMBER
Ethernet Gateway	ZGW-LORA-W1-ETH
LTE Cellular Gateway	ZGW-LORA-W1-LTE

APPLICATIONS

Wilkins Connected Pressure Monitors transmit data 24/7 to the Wilkins plumbSMART™ web portal and mobile app. Proactively monitor your plumbing system water pressure, receive real-time alerts for preset high and low pressure parameters, and access system data for trends and predictive maintenance anytime and anywhere. Designed for use and installation anywhere in your plumbing system to continually monitor system water pressure. Plug into existing test ports or tie directly into pipes. Installation is simple and flexible to meet your needs.

FEATURES

- Maximum working water pressure of 200 psi
- End connection: 1/4" male NPT (ANSI/ASME B1.20.1)
- Bleed valve: 1/4" female NPT (ANSI/ASME B1.20.1)
- 1/2" x 1/4" NPT bushing
- 3/4" x 1/2" NPT bushing
- AC wall adapter with 6 foot power cord
- Easily installs and can tie into pipes with t-fittings or can take pressure reads from existing test ports
- Receive real-time alerts based on your customized high- or low-pressure warnings and alerts
- Monitor pressure anywhere and know your water pressure at any location in your building
- Choose the floor, room and/or product you would like to monitor and install in sensitive areas where consistent pressure is important
- Gain valuable insights and view historical low, average and high pressures
- Establish trends, identify pressure issues and use advanced analytics to optimize system performance
- Connect multiple remote pressure monitors to read pressure throughout your building

BACKFLOW PREVENTERS
 BACKFLOW PREVENTERS ACCESSORIES
 STRAINERS
 AUTOMATIC CONTROL VALVES
 PRESSURE REDUCING VALVES
 FIRE PROTECTION VALVES
 THERMOSTATIC MIXING VALVES
 RELIEF VALVES
 MISCELLANEOUS PLUMBING PRODUCTS
 REPAIR KITS

XT SERIES – POTABLE WATER EXPANSION TANK

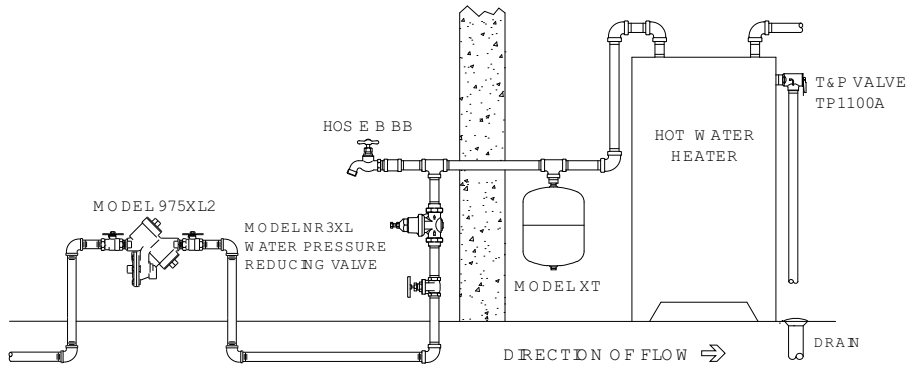


APPROVALS AND APPLICABLE STANDARDS

- cUPC® Listed
- Certified to NSF/ANSI 61 and 372

SIZE (GAL)	LEAD-FREE PART NUMBER
XT: POTABLE WATER EXPANSION TANK, 3/4" MNPT	
2.1	XT-8
4.8	XT-18
9.0	XT-35

TYPICAL INSTALLATION



APPLICATIONS

Designed for installation on potable water lines between the backflow preventer or pressure reducing valve and the water heater to protect against water thermal expansion.

FEATURES

- 2.1 gal. – 9.0 gal.
- 80 psi max supply pressure, factory air pre-charge – 40 psi
- 200°F max
- Diaphragm type expansion tank for water heaters
- Polypropylene lined water chamber

WXTP SERIES – POTABLE WATER EXPANSION TANK

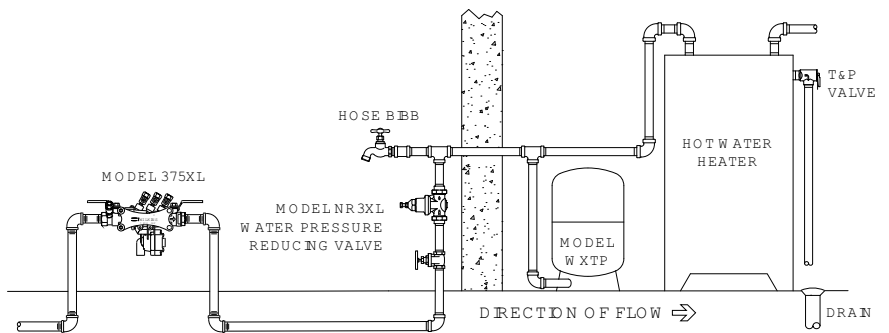


APPROVALS AND APPLICABLE STANDARDS

- cUPC® Listed
- Certified to NSF/ANSI 61 and 372

SIZE (GAL)	LEAD-FREE PART NUMBER
WXTP: POTABLE WATER EXPANSION TANK, 1" FNPT	
14	WXTP-50V
20	WXTP-75V
32	WXTP-120V
WXTP: POTABLE WATER EXPANSION TANK, 1 1/4" FNPT	
44	WXTP-165V
85	WXTP-320V

TYPICAL INSTALLATION



APPLICATIONS

Designed for installation on potable water lines between the backflow preventer or pressure reducing valve and the water heater to protect against water thermal expansion.

FEATURES

- 14 gal. – 85 gal.
- 80 psi max supply pressure, factory air pre-charge – 40 psi
- 200°F max
- Bladder type expansion tank for water heaters
- Free standing base mounted
- 5 year warranty

WTTA SERIES - ASME THERMAL EXPANSION TANK



APPLICATIONS

Designed for installation on hot water systems to protect against thermal expansion.

FEATURES

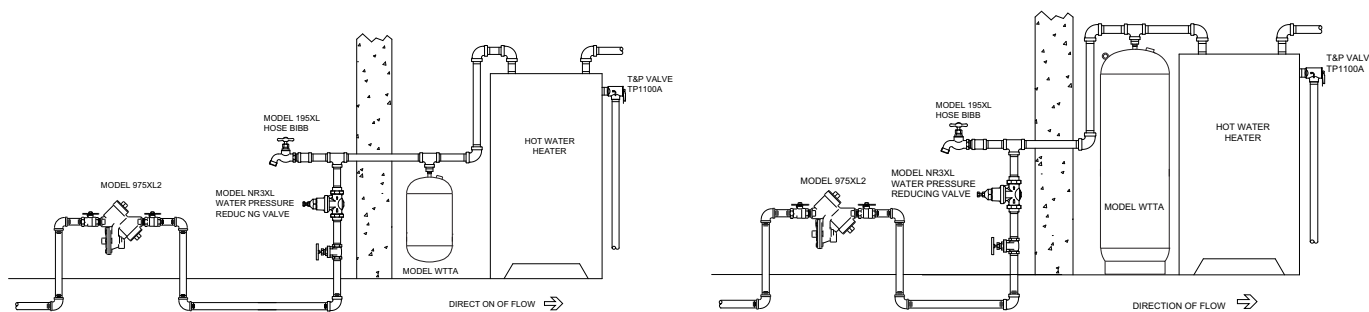
- 3.5 gal. - 90.0 gal.
- 80 psi max supply pressure, factory air pre-charge - 40 psi
- 240°F max
- Fixed bladder type for commercial and industrial applications

APPROVALS AND APPLICABLE STANDARDS

- ASME Section VIII

SIZE (GAL)	LEAD-FREE PART NUMBER
WTTA: ASME THERMAL EXPANSION TANK, 3/4" FNPT	
3.5	WTTA-5
5.0	WTTA-12
8.0	WTTA-20
WTTA: ASME THERMAL EXPANSION TANK, 1" FNPT	
15.0	WTTA-30
22.0	WTTA-42
26.0	WTTA-60
35.0	WTTA-80
45.0	WTTA-100
60.0	WTTA-125
WTTA: ASME THERMAL EXPANSION TANK, 1 1/2" FNPT	
70.0	WTTA-160
80.0	WTTA-180
90.0	WTTA-210

TYPICAL INSTALLATION

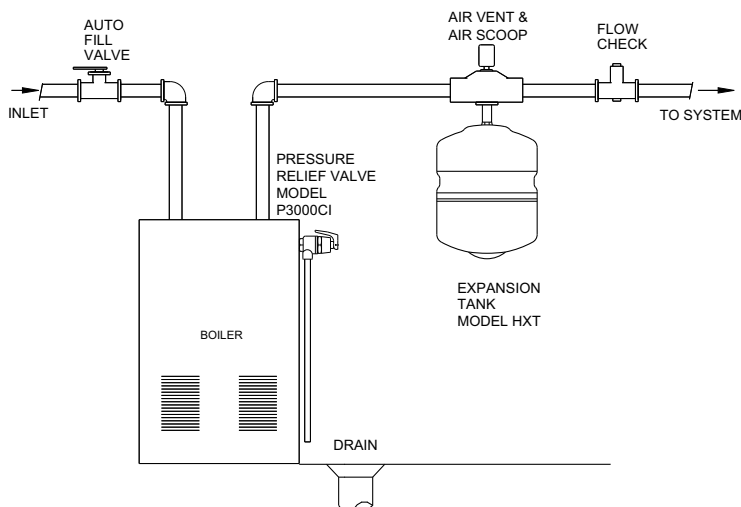


HXT SERIES - HYDRONIC EXPANSION TANK



SIZE (GAL)	LEAD-FREE EXEMPT PART NUMBER
HXT: HYDRONIC EXPANSION TANK, 1/2" MNPT	
2.1	HXT-15
5.0	HXT-30
6.5	HXT-60
HXT: HYDRONIC EXPANSION TANK, 1/2" MNPT	
13.5	HXT-90

TYPICAL INSTALLATION



APPLICATIONS

Designed for installation on residential and commercial hydronic heating and cooling systems as a means of pressure control due to thermal expansion.

FEATURES

- 2.1 gal. - 13.5 gal.
- 150 psi max, factory air pre-charge - 12 psi
- 210°F max

BVECXL SERIES – WATER HEATER SHUT-OFF VALVE WITH INTEGRAL THERMAL EXPANSION RELIEF VALVE



SIZE	CONNECTIONS / OPTIONS	LEAD-FREE PART NUMBER
BVECXL: FNPT INLET AND OUTLET CONNECTIONS		
3/4"	3/4" FNPT x 3/4" FNPT, 3/8" Hose Barb Drain, 125 psi	34-BVECXL-125BF
3/4"	3/4" FNPT x 3/4" FNPT, 3/8" Compression Drain, 125 psi	34-BVECXL-125CF
3/4"	3/4" FNPT x 3/4" FNPT, 1/2" PEX Drain, 125 psi	34-BVECXL-125-PEX
BVECXL: COPPER SWEAT INLET AND OUTLET CONNECTIONS		
3/4"	3/4" FCU SWT x 3/4" FCU SWT, 3/8" Hose Barb Drain, 125 psi	34-BVECXL-125BF
3/4"	3/4" FCU SWT x 3/4" FCU SWT, 3/8" Compression Drain, 125 psi	34-BVECXL-125CF
BVECXLPEX: PEX INLET AND OUTLET CONNECTIONS		
3/4"	3/4" PEX x 3/4" PEX, 3/8" Hose Barb Drain, 125 psi	34-BVECXLPEX-125BF
3/4"	3/4" PEX x 3/4" PEX, 1/2" PEX Drain, 125 psi	34-BVECXLPEX-125-PEX

APPLICATIONS

The Wilkins BVECXL series was designed to solve the need for a water heater shut-off and thermal expansion control relief valve in a single unit.

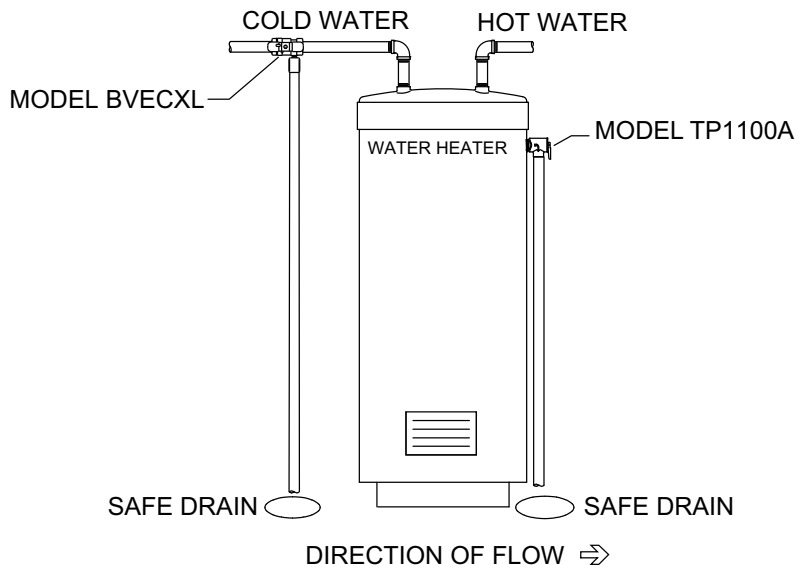
FEATURES

- Available in 3/4" with 3/8" or 1/2" drain line connections (refer to price list)
- 210°F max
- Relief valve settings of 80, 100, and 125 psi

APPROVALS AND APPLICABLE STANDARDS

- cUPC® Listed
- Certified to NSF/ANSI 372

TYPICAL INSTALLATION



BACKFLOW PREVENTERS

BACKFLOW PREVENTERS ACCESSORIES

STRAINERS

AUTOMATIC CONTROL VALVES

PRESSURE REDUCING VALVES

FIRE PROTECTION VALVES

THERMOSTATIC MIXING VALVES

RELIEF VALVES

MISCELLANEOUS PLUMBING PRODUCTS

REPAIR KITS

1260XL SERIES – WATER HAMMER ARRESTERS



CONNECTION SIZE	CAPACITY	LEAD-FREE PART NUMBER
1260XL: MNPT		
1/2"	PDI Size A	1260XL-A
3/4"	PDI Size B	1260XL-B
1"	PDI Size C	1260XL-C
1"	PDI Size D	1260XL-D
1"	PDI Size E	1260XL-E
1"	PDI Size F	1260XL-F

APPLICATIONS

Designed to protect residential, commercial and industrial water lines against over-pressure during surges following quick valve closure.

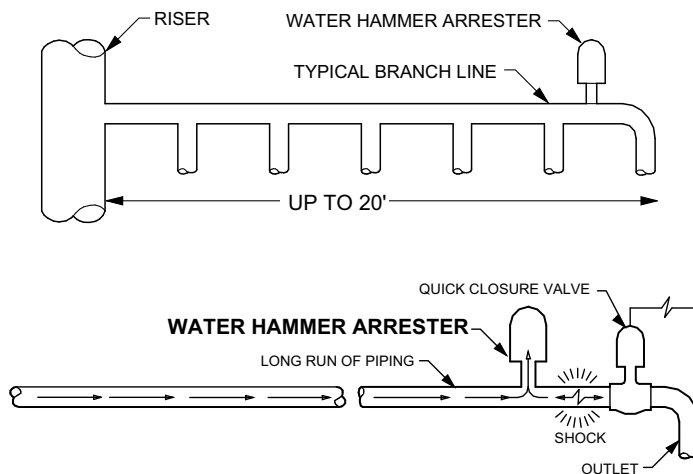
FEATURES

- Capacities A – F
- 200 psi max static pressure
- 212°F max
- Compact design allows installation in 2 x 4 wall cavities

APPROVALS AND APPLICABLE STANDARDS

- ASSE® Listed 1010, ANSI A112.26.1
- Certified to NSF/ANSI 372

TYPICAL INSTALLATION



25 SERIES – PRESSURE GAUGE

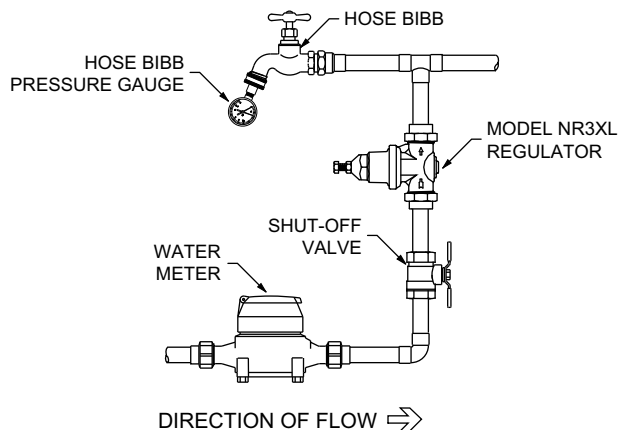


SIZE	CONNECTIONS / OPTIONS	LEAD-FREE PART NUMBER
25 SERIES: PRESSURE GAUGE		
1/8"	Pressure Gauge, 2" Dial, 0-100 psi, 1/8" MNPT	92-25A
1/4"	Pressure Gauge, 2" Dial, 0-100 psi, 1/4" MNPT	92-25
3/4"	Pressure Gauge, 2" Dial, 0 - 200psi, 3/4" Female Hose Bibb	HGI-25
1/4"	Pressure Gauge, 2-1/2" Dial, 0 - 300psi, 1/4" MNPT	2004-25-300
1/4"	Pressure Gauge, 3 1/2" Dial, 0 - 300psi, 1/4" MNPT	2010-25-300
1/4"	Pressure Gauge, UL/FM Listed, 3 1/2" Dial, 0 - 300psi, 1/4" MNPT	2005-25UL
1/8"	Pressure Gauge, Liquid Filled, 2-1/2" Dial, 0 - 300psi, 1/8" MNPT	2006-25LBP-300
1/4"	Pressure Gauge, Liquid Filled, 2-1/2" Dial, 0 - 300psi, 1/4" MNPT	2004-25L-300

APPLICATIONS

The Wilkins HGI-25 is designed to measure the water pressure in a plumbing system.

TYPICAL INSTALLATION



VR10XL SERIES – VACUUM RELIEF VALVE



APPLICATIONS

Designed for commercial and residential water lines to protect water supply systems and pressure vessels against internal vacuum conditions that could drain a system by siphonage and possibly damage heating element or collapse storage tanks.

FEATURES

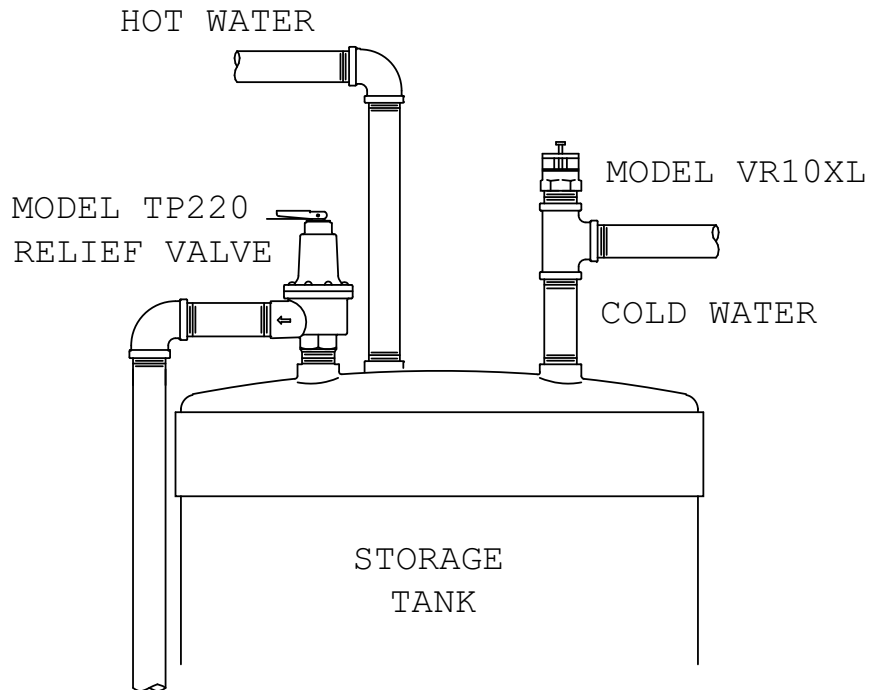
- 1/2", 3/4"
- 200 psi max
- 250°F max
- All brass body and cap
- Male inlet

APPROVALS AND APPLICABLE STANDARDS

- CSA Compliance to ANSI Z21.22/CSA 4.4
- Certified to NSF/ANSI 372

SIZE	CONNECTIONS / OPTIONS	LEAD-FREE PART NUMBER
VR10XL: VACUUM RELIEF VALVE		
1/2"	1/2" MNPT	12-VR10XL
3/4"	3/4" MNPT	34-VR10XL

TYPICAL INSTALLATION



BACKFLOW PREVENTERS

BACKFLOW PREVENTERS ACCESSORIES

STRAINERS

AUTOMATIC CONTROL VALVES

PRESSURE REDUCING VALVES

FIRE PROTECTION VALVES

THERMOSTATIC MIXING VALVES

RELIEF VALVES

MISCELLANEOUS PLUMBING PRODUCTS

REPAIR KITS

DUXL/DUXLC SERIES – DIELECTRIC UNIONS



DUXL



DUXLC

APPLICATIONS

Designed for installation on potable water lines to protect against piping system deterioration caused by galvanic and stray current corrosion. A dielectric fitting is necessary where dissimilar metals are used in piping systems. Used to connect brass pipe with iron pipe.

FEATURES

- 1/2" - 2"
- 250 psi max (threaded connections)
- 175 psi max (flange connections)
- 180°F max
- Female iron pipe x female brass pipe

APPROVALS AND APPLICABLE STANDARDS

- Certified to NSF/ANSI 372

DUXL SERIES – DIELECTRIC UNIONS

SIZE	INLET X OUTLET CONNECTIONS / OPTIONS	LEAD-FREE PART NUMBER
DUXL: FNPT X FNPT		
1/2"		12-DUXL
3/4"		34-DUXL
1"		1-DUXL
1-1/4"		114-DUXL
1-1/2"		112-DUXL
2"		2-DUXL

DUXLC SERIES – DIELECTRIC UNIONS

SIZE	INLET X OUTLET CONNECTIONS / OPTIONS	LEAD-FREE PART NUMBER
DUXLC: FNPT X FEMALE CU SWT		
1/2"	1/2" FNPT x 1/2" Female CU SWT	12-DUXLC
3/4"	3/4" FNPT x 1/2" Female CU SWT	34-DUXLC12C
3/4"	3/4" FNPT x 3/4" Female CU SWT	34-DUXLC
1"	1" FNPT x 1" Female CU SWT	1-DUXLC
1-1/4"	1-1/4" FNPT x 1-1/4" Female CU SWT	114-DUXLC
1-1/2"	1-1/2" FNPT x 1-1/2" Female CU SWT	112-DUXLC
2"	2" FNPT x 2" Female CU SWT	2-DUXLC
DUXLC: FNPT FLANGE X FEMALE CU SWT		
2-1/2"	2-1/2" FNPT Flange x 2-1/2" Female CU SWT	212-DUXLC
3"	3" FNPT Flange x 3" Female CU SWT	3-DUXLC

REPAIR KITS

LARGE DIAMETER BACKFLOW PREVENTER REPAIR KITS	128
350/450 REPAIR KITS	128
375/475 REPAIR KITS	128
FIRST CHECK ASSEMBLY	128
SECOND CHECK ASSEMBLY	128
950/975 REPAIR KITS	129
BY-PASS VALVES FOR DETECTOR ASSEMBLIES REPAIR KITS	129
CHECK SEAT RETAINER	129
DOUBLE CHECK DETECTOR ASSEMBLY BYPASS REPLACEMENT KIT	129
RP DETECTOR ASSEMBLY BYPASS REPLACEMENT KIT	129
SMALL DIAMETER BACKFLOW PREVENTER REPAIR KITS	130
350XL/350 REPAIR KITS	130
375XL/375 REPAIR KITS	130
950XLT2/950XLT/950XL/ 950 REPAIR KITS	130
975XL2/975XL/975 REPAIR KITS	130
PRESSURE VACUUM BREAKER REPAIR KITS	131
420XL/420 REPAIR KITS	131
460XL/460 REPAIR KITS	131
720A REPAIR KITS	131
ATMOSPHERIC VACUUM BREAKER REPAIR KIT	131
DUAL CHECK ASSEMBLY REPAIR KITS	131
AUTOMATIC CONTROL VALVE REPAIR KITS	131
PRESSURE REDUCING VALVE REPAIR KITS	132
MISCELLANEOUS PARTS AND REPAIR KITS	132
QT/QTP – QUICK TEST BACKFLOW TEST FITTINGS	132
BVHD – BLUE STAINLESS STEEL BALL VALVE HANDLES WITH STAINLESS STEEL NUT	132
BVHDXL – GREEN STAINLESS STEEL BALL VALVE HANDLES WITH STAINLESS STEEL NUT	132
860XL – LEAD FREE TEST COCKS (SET)	132
860XLFT – LEAD FREE FAST-TEST COCKS WITH INTEGRAL SAE FITTINGS (SET)	132
860XL SERIES – BALL VALVE TEST COCKS (EACH)	133
RK-975TOOL – COMPLETE SET OF 950XL/975XL SEAT REMOVAL TOOLS	133
RK-BVTOOL – BALL VALVE HANDLE SOCKETS 3/4", 1", 1-1/4", 1-1/2", AND 2"	133
RPHBM REPAIR KITS	133
FIRE VALVE REPAIR KITS	133

LARGE DIAMETER BACKFLOW PREVENTER REPAIR KITS

350/450 REPAIR KITS

SIZE	LEAD-FREE PART NUMBER
MODEL 350/450 RUBBER ONLY REPAIR KIT	
2-1/2" - 3"	RK212-350
4"	RK4-350
6"	RK6-350
8" - 12"	RK8-350
MODEL 350A RUBBER ONLY REPAIR KIT	
2-1/2" - 4"	RK4-350
6"	RK6-350
8" - 10"	RK8-350
MODEL 350DA/450DA RUBBER ONLY (INCLUDES BY-PASS RUBBER)	
2-1/2" - 3"	RK212-350DA
4"	RK4-350DA
6"	RK6-350DA
8" - 12"	RK8-350DA
MODEL 350ADA RUBBER ONLY (INCLUDES BY-PASS RUBBER)	
2-1/2" - 4"	RK4-350DA
6"	RK6-350DA
8" - 10"	RK8-350DA

375/475 REPAIR KITS

SIZE	LEAD-FREE PART NUMBER
MODEL 375/375A/475 RELIEF RUBBER ONLY	
2-1/2" - 6"	RK212-375R
8" - 10"	RK8-375R
MODEL 375/375A/475 RELIEF COMPLETE	
2-1/2" - 6"	RK212-375
8" - 10"	RK8-375
MODEL 375/475 CHECKS RUBBER ONLY	
2-1/2" - 4"	RK4-350
6"	RK6-350
8" - 10"	RK8-350
MODEL 375DA/475DA CHECKS & RELIEF RUBBER ONLY (INCLUDES BY-PASS RUBBER)	
2-1/2" - 3"	RK212-375DAC
4"	RK4-375DAC
6"	RK6-375DAC
8" - 10"	RK8-375DAC
MODEL 375ADA CHECKS & RELIEF RUBBER ONLY (INCLUDES BY-PASS RUBBER)	
2-1/2" - 4"	RK4-375DAC
6"	RK6-375DAC
8" - 10"	RK8-375DAC

FIRST CHECK ASSEMBLY

SIZE	MODEL		LEAD-FREE PART NUMBER
	300 SERIES	400 SERIES	
Includes retainer(s) or nuts and lubricant			
IRON BODY			
2-1/2" & 3"	350/350DA	450/450DA	RK212-350CK1
2-1/2", 3" & 4"	350A/350ADA	-	RK4-350CK1
4"	350/350DA	450/450DA	RK4-350CK1
6"	350/350DA	450/450DA	RK6-350CK1
8", 10" & 12"	350/350DA	450/450DA	RK8-350CK1
12"	350DA	-	RK12IN-350DACK1
2-1/2" & 3"	375/375DA	475/475DA	RK212-375CK1
2-1/2" & 3"	375A/375ADA	-	RK4-375CK1
4"	375/375DA	475/475DA	RK4-375CK1
6"	375/375DA	475/475DA	RK6-375CK1
8" & 10"	375/375DA	475/475DA	RK8-375CK1
STAINLESS STEEL BODY			
2-1/2", 3" & 4"	350AST/350ASTDA	-	RK4-350ASTCK1
6"	350AST/350ASTDA	-	RK6-350ASTCK1
8"	350AST/350ASTDA	-	RK8-350ASTCK1
10"	350AST/350ASTDA	-	RK10-350ASTCK1
4"	-	450ST/450STDA	RK4-450STCK4
6"	-	450ST/450STDA	RK6-450STCK4
8" & 10"	-	450ST/450STDA	RK8-450STCK1
2-1/2", 3" & 4"	375AST/375ASTDA	475ST/475STDA	RK4-375ASTCK1
6"	375AST/375ASTDA	475ST/475STDA	RK6-375ASTCK1
8" & 10"	375AST/375ASTDA	-	RK8-375ASTCK1
8" & 10"	-	475ST/475STDA	RK8-475STCK1

SECOND CHECK ASSEMBLY

SIZE	MODEL		LEAD-FREE PART NUMBER
	300 SERIES	400 SERIES	
Includes retainer(s) or nuts and lubricant			
DUCTILE IRON BODY			
2-1/2" & 3"	375/350	475/450	RK212-350CK2
2-1/2", 3" & 4"	375A/350A	-	RK4-350CK2
4"	375/350	475/450	RK4-350CK2
6"	375/350	475/450	RK6-350CK2
8", 10" & 12"	375/350	475/450	RK8-350CK2
2-1/2" & 3"	375DA/350DA	475DA/450DA	RK212-350DACK2
2-1/2", 3" & 4"	375ADA/350ADA	-	RK4-350CK2
4"	375DA/350DA	475DA/450DA	RK4-350CK2
6"	375DA/350DA	475DA/450DA	RK6-350CK2
8" & 10"	375DA	475DA/450DA	RK8-450DACK2
8" & 10"	350DA	-	RK8-350DACK2
12"	350DA	-	RK12IN-350DACK2
8"	350ADA	-	RK8-350DACK2
10"	350ADA	-	RK8-450DACK2
STAINLESS STEEL BODY			
2-1/2"	375AST/350AST	-	RK212-350ASTCK2
3" & 4"	375AST/350AST	-	RK4-350ASTCK2
6"	375AST/350AST	-	RK6-350ASTCK2
8"	375AST	-	RK8-350ASTCK2
10"	375AST/350AST	-	RK10-350ASTCK2
2-1/2"	375ASTDA/350ASTDA	-	RK212-350ASTDACK2
3" & 4"	375ASTDA/350ASTDA	-	RK4-350ASTDACK2
6"	375ASTDA	-	RK6-375ASTDACK2
6"	350ASTDA	-	RK6-350ASTDACK2
8" & 10"	375ASTDA	-	RK8-375ASTDACK2
8" & 10"	350ASTDA	-	RK8-350ASTDACK2
4"	-	450ST/475ST	RK4-450STCK4
6"	-	450ST/475ST	RK6-450STCK4
8" & 10"	-	450ST/475ST	RK8-450STCK1
4"	-	450STDA/475STDA	RK4-450STDACK2
6"	-	450STDA/475STDA	RK6-450STDACK2
8" & 10"	-	450STDA/475STDA	RK8-450STDACK2

LARGE DIAMETER BACKFLOW PREVENTER REPAIR KITS

950/975 REPAIR KITS

SIZE	LEAD-FREE PART NUMBER
MODEL 950/975 RUBBER (CHECKS ONLY)	
2-1/2" - 3"	RK212-950
4"	RK4-950
6"	RK6-950
8"	RK8-950
10"	RK10-950
MODEL 975 RELIEF (RUBBER ONLY)	
2-1/2" - 6"	RK212-975R
8" - 10"	RK8-975R
MODEL 975 RELIEF COMPLETE	
2-1/2" - 6"	RK212-975
8" - 10"	RK8-975
MODEL 950DA RUBBER ONLY (INCLUDES BY-PASS RUBBER)	
2-1/2" - 3"	RK212-950DA
4"	RK4-950DA
6"	RK6-950DA
8"	RK8-950DA
10"	RK10-950DA
MODEL 975DA CHECKS & RELIEF RUBBER ONLY (INCLUDES BY-PASS RUBBER)	
2-1/2" - 3"	RK212-975DAC
4"	RK4-975DAC
6"	RK6-975DAC
8"	RK8-975DAC
10"	RK10-975DAC

BY-PASS VALVES FOR DETECTOR ASSEMBLIES REPAIR KITS

SIZE	DESCRIPTION	LEAD-FREE PART NUMBER
BY-PASS VALVE FOR 950XLTD SERIES		
3/4"	Double Check Valve By-Pass Assembly	34-350D
BY-PASS VALVE FOR 375DA, 375ADA, 375ASTDA, 475DA AND 475DAV		
3/4"	MNPT x MNPT, Less Ball Valves, RPDA By-Pass Assembly	34-975XLD
BY-PASS VALVE FOR 350DA, 350ADA, 350ASTDA, 450DA AND 450DAV		
3/4"	Double Check Valve By-Pass Assembly	34-950XLD

CHECK SEAT RETAINER

SIZE	MODEL		LEAD-FREE PART NUMBER
	300 SERIES	400 SERIES	
CHECK NUMBER 1			
Bulk pack quantity of six			
2-1/2" - 3"	350/375	450/475	BRK212-300-SEAT1-RTNR
2-1/2" - 3"	350A/375A	-	BRK4-LBF-SEAT1RTNR
2-1/2" - 4"	350/375	450/475	BRK4-LBF-SEAT1RTNR
6"	350/375	450/475	BRK6-LBF-SEAT1RTNR
2-1/2" - 4"	300AST Series	400ST Series	BRK4-SSLBF-SEAT1RTNR
6"	300AST Series	400ST Series	BRK6-SSLBF-SEAT1RTNR
CHECK NUMBER 2			
Bulk pack quantity of six			
2-1/2" - 3"	350/375	450/475	BRK212-300-SEAT2-RTNR
2-1/2" - 4"	350/375	450/475	BRK4-LBF-SEAT2RTNR
6"	350/375	450/475	BRK6-LBF-SEAT2RTNR
2-1/2" - 4"	350AST/375AST	-	BRK4-SSLBF-SEAT2RTNR
6"	350AST/375AST	-	BRK6-SSLBF-SEAT2RTNR

DOUBLE CHECK DETECTOR ASSEMBLY BYPASS REPLACEMENT KIT

SIZE	MODEL		LEAD-FREE PART NUMBER
	300 SERIES	400 SERIES	
2-1/2" & 3"	350DA	-	RK212-350DA-BP-LM
2-1/2" & 3"	350ADA	-	RK4-350DA-BP-LM
4"	350DA/350ADA	-	RK4-350DA-BP-LM
6"	350DA/350ADA	-	RK6-350DA-BP-LM
8" & 10"	350DA/350ADA	-	RK8-350DA-BP-LM
12"	350DA	-	RK12IN-350DA-BP-LM
2-1/2" & 3"	350ASTDA	-	RK212-350ASTDA-BP-LM
4"	350ASTDA	-	RK4-350ASTDA-BP-LM
6"	350ASTDA	-	RK6-350ASTDA-BP-LM
8" & 10"	350ASTDA	-	RK8-350ASTDA-BP-LM
2-1/2" & 3"	-	450DA	RK212-450DA-BP-LM
4"	-	450DA	RK4-450DA-BP-LM
6"	-	450DA	RK6-450DA-BP-LM
8" & 10"	-	450DA	RK8-450DA-BP-LM

RP DETECTOR ASSEMBLY BYPASS REPLACEMENT KIT

SIZE	MODEL		LEAD-FREE PART NUMBER
	300 SERIES	400 SERIES	
2-1/2" & 3"	375DA	-	RK212-375DA-BP-LM
2-1/2" & 3"	375ADA	-	RK4-375DA-BP-LM
4"	375DA	-	RK4-375DA-BP-LM
6"	375DA	-	RK6-375DA-BP-LM
8"	375DA	-	RK8-375DA-BP-LM
10"	375DA	-	RK10-375DA-BP-LM
2-1/2" & 3"	375ASTDA	-	RK212-375ASTDA-BP-LM
4"	375ASTDA	-	RK4-375ASTDA-BP-LM
6"	375ASTDA	-	RK6-375ASTDA-BP-LM
8"	375ASTDA	-	RK8-375ASTDA-BP-LM
10"	375ASTDA	-	RK10-375ASTDA-BP-LM
2-1/2" & 3"	-	475DA	RK3-475DA-BP-LM
4"	-	475DA	RK4-475DA-BP-LM
6"	-	475DA	RK6-475DA-BP-LM
8" & 10"	-	475DA	RK8-475DA-BP-LM

SMALL DIAMETER BACKFLOW PREVENTER REPAIR KITS

350XL/350 REPAIR KITS

SIZE	LEAD-FREE PART NUMBER
MODEL 350XL/350 RUBBER REPAIR KIT	
2 vessel o-rings, 2 check o-rings, 2 poppets with seal rings	
1/2" - 3/4"	RK34-350R
1"	RK1-350R
1-1/4" - 2"	RK114-350R
MODEL 350XL/350 COMPLETE INTERNALS	
2 checks, vessel o-rings, and check o-rings	
1/2" - 3/4"	RK34-350
1"	RK1-350
1-1/4" - 2"	RK114-350
MODEL 350XL/350 COMPLETE PRESSURE VESSEL (HOUSING)	
Complete working Pressure Vessel, o-rings, test cocks and bolts. Also available, 350VFT (350V with Fast-Test Test Cocks)	
1/2" - 3/4"	RK34-350V
1"	RK1-350V
1-1/4" - 2"	RK114-350V
MODEL 350XL/350 BLOW-OUT/FLUSH FITTING	
Blow-Out/Flush Fitting and 2 o-rings	
1/2" - 3/4"	RK34-350BOF
1"	RK1-350BOF
1-1/4" - 2"	RK114-350-375BOF
MODEL 350XL/350 FLUSH KIT	
Flush Fitting, 2 O-rings and 18" Flush Hose	
1/2" - 3/4"	RK34-350FLUSH
1"	RK1-350FLUSH
1-1/4" - 2"	RK114-350-375FLUSH

375XL/375 REPAIR KITS

SIZE	LEAD-FREE PART NUMBER
MODEL 375XL/375 RUBBER REPAIR KIT	
2 vessel o-rings, 2 check o-rings, seal rings, 2 relief valve o-rings, relief valve seal ring, diaphragm	
3/4"	RK34-375R
1"	RK1-375R
1-1/4" - 2"	RK114-375R
MODEL 375XL/375 COMPLETE INTERNALS	
2 checks, vessel o-rings, check o-rings, relief valve assembly, relief valve spring, relief valve spring seat, and relief valve spring o-rings	
3/4"	RK34-375
1"	RK1-375
1-1/4" - 2"	RK114-375
MODEL 375XL/375 COMPLETE PRESSURE VESSEL	
Complete working Pressure Vessel, o-rings and test cocks. Also available, 375VFT: 375V with Fast-Test Test Cocks (Wedge not included)	
3/4"	RK34-375V
1"	RK1-375V
1-1/4" - 2"	RK114-375V
MODEL 375XL/375 VESSEL WEDGE	
Pressure Vessel Wedge, sleeve and two screws	
3/4"	RK34-375W
1"	RK1-375W
MODEL 375XL/375 BLOW-OUT FLUSH FITTING	
Blow-Out/Flush Fitting and 2 O-rings	
3/4"	RK34-375BOF
1"	RK1-375BOF
1-1/4" - 2"	RK114-350-375BOF
MODEL 375XL/375 BLOW-OUT/FLUSH KITS	
Flush Fitting, 2 O-rings and 18" Flush Hose	
3/4"	RK34-375FLUSH
1"	RK1-375FLUSH
1-1/4" - 2"	RK114-350-375FLUSH
MODEL RK-375XLBV1: BALL VALVE, BRONZE, 375XL INLET, FNPT TO PRESSURE VESSEL, TAPPED, O-RING	
1/2"	RK12-375XLBV1
3/4"	RK34-375XLBV1
1"	RK1-375XLBV1
MODEL 48AXL: BALL VALVE, BRONZE, 375XL INLET, FNPT TO PRESSURE VESSEL, TAPPED	
1-1/4"	RK114-375XL-BV1
1-1/2"	RK112-375XL-BV1
2"	RK2-375XL-BV1
MODEL 48BXL: BALL VALVE, BRONZE, 375XL OUTLET, PRESSURE VESSEL TO FNPT	
1/2"	RK114-375XL-BV1
3/4"	RK34-375XL-BV2
1"	RK1-375XL-BV2
1-1/4"	RK114-375XL-BV2
1-1/2"	RK112-375XL-BV2
2"	RK2-375XL-BV2
MODEL RK-375STBV1: BALL VALVE, STAINLESS STEEL, 375ST INLET, FNPT TO PRESSURE VESSEL, TAPPED, O-RING	
1/2"	RK12-375STBV1
3/4"	RK34-375STBV1
1"	RK1-375STBV1

950XLT2/950XLT/950XL/950 REPAIR KITS

SIZE	LEAD-FREE PART NUMBER
MODEL 950 COMPLETE	
3/4" - 1"	RK34-950
1-1/4" - 2"	RK114-950
MODEL 950 RUBBER	
3/4" - 1"	RK34-950R
1-1/4" - 2"	RK114-950R
MODEL 950XL COMPLETE	
3/4" - 1"	RK34-950XL
1-1/4" - 2"	RK114-950XL
MODEL 950XL/XLT/XLT2 RUBBER	
3/4" - 1"	RK34-950XLR
1-1/4" - 2"	RK114-950XLR
MODEL 950XL SEAT KIT	
3/4" - 1"	RK34-950XLSK
1-1/4" - 2"	RK114-950XLSK
MODEL 950XL COMPLETE WITH SEATS	
3/4" - 1"	RK34-950XLC
1-1/4" - 2"	RK114-950XLC
MODEL 950XLT/XLT2 SEAT KIT	
3/4" - 1"	RK34-950XLTSK
1-1/4" - 2"	RK114-950XLTSK
MODEL 950XLT/XLT2 COMPLETE WITH SEATS	
3/4" - 1"	RK34-950XLTC
1-1/4" - 2"	RK114-950XLTC

975XL2/975XL/975 REPAIR KITS

SIZE	LEAD-FREE PART NUMBER
MODEL 975 COMPLETE RUBBER & SPRINGS (CHECKS & RELIEF)	
3/4" - 1"	RK34-975
1-1/4" - 2"	RK114-975
MODEL 975 RUBBER (CHECKS & RELIEF)	
3/4" - 1"	RK34-975R
1-1/4" - 2"	RK114-975R
MODEL 975XL/XL2 COMPLETE RUBBER & SPRINGS - NO SEATS (CHECKS & RELIEF)	
1/4" - 1/2"	RK14-975XL
3/4" - 1"	RK34-975XL
1-1/4" - 2"	RK114-975XL
MODEL 975XL/XL2 RUBBER (CHECKS & RELIEF)	
1/4" - 1/2"	RK14-975XLR
3/4" - 1"	RK34-975XLR
1-1/4" - 2"	RK114-975XLR
MODEL 975XL/XL2 SEAT KIT (#1 & #2 WITH O-RINGS)	
1/4" - 1/2"	RK14-975XLSK
3/4" - 1"	RK34-975XLSK
1-1/4" - 2"	RK114-975XLSK
MODEL 975XL/XL2 COMPLETE POPPETS, SPRINGS & SEATS (CHECKS & RELIEF)	
1/4" - 1/2"	RK14-975XLC
3/4" - 1"	RK34-975XLC
1-1/4" - 2"	RK114-975XLC

PRESSURE VACUUM BREAKER REPAIR KITS

420XL/420 REPAIR KITS

SIZE	LEAD-FREE PART NUMBER
420XL/420 COMPLETE REPAIR KIT	
1/2" - 3/4"	RK12-420
1"	RK1-420
420XL/420 RUBBER REPAIR KIT	
1/2" - 3/4"	RK12-420R
1"	RK1-420R
420XL/420 POPPET/ BONNET	
1/2" - 3/4"	RK12-420FK
1"	RK1-420FK

460XL/460 REPAIR KITS

SIZE	LEAD-FREE PART NUMBER
460XL/460 COMPLETE REPAIR KIT	
3/8" - 1/2"	RK12-460
3/4" - 1"	RK1-460
460XL/460 RUBBER	
3/8" - 1/2"	RK12-460R
3/4" - 1"	RK1-460R

720A REPAIR KITS

SIZE	LEAD-FREE PART NUMBER
720A REPAIR KIT	
1/2" - 1"	RK1-720A
1-1/4" - 2"	RK2-720A
720A BONNET REPAIR KIT	
1/2" - 1"	RK1-720AB
720A POPPET & O-RING	
1/2" - 1"	RK1-720AP

ATMOSPHERIC VACUUM BREAKER REPAIR KIT

SIZE	LEAD-FREE PART NUMBER
35/35XL REPAIR KIT	
1/4"	RK14-35
1/2"	RK12-35
3/4"	RK34-35
1"	RK1-35
1-1/4"	RK114-35
1-1/2"	RK112-35
2"	RK2-35

DUAL CHECK ASSEMBLY REPAIR KITS

SIZE	LEAD-FREE PART NUMBER
700FP/700 REPAIR KIT	
1/4" - 1/2"	RK14-700
3/4" - 1"	RK34-700
1" - 1-1/2"	RK1-700FP
950LM COMPLETE REPAIR KIT	
3/4" - 1"	RK34-950
950LM RUBBER REPAIR KIT	
3/4" - 1"	RK34-950R
950LF COMPLETE REPAIR KIT	
3/4" - 1"	RK34-950
950LF RUBBER REPAIR KIT	
3/4" - 1"	RK34-950R
1-1/4" - 2"	RK114-950R

AUTOMATIC CONTROL VALVE REPAIR KITS

SIZE	LEAD-FREE PART NUMBER
RK-ZW200R: ZW200 SERIES RUBBER REPAIR KIT	
Includes diaphragm, stem o-rings, and disc	
1-1/4" - 1-1/2"	RK114-112-ZW200R
2"	RK2-ZW200R
2-1/2"	RK212-ZW200R
3"	RK3-ZW200R
4"	RK4-ZW200R
6"	RK6-ZW200R
8"	RK8-ZW200R
10"	RK10-ZW200R
12"	RK12-ZW200R
14"	RK14-ZW200R
16"	RK16-ZW200R
RK-ZW200C: ZW200 SERIES COMPLETE REPAIR KIT	
Includes stem assembly, spring.	
1-1/4" - 1-1/2"	RK114-112-ZW200C
2"	RK2-ZW200C
2-1/2"	RK212-ZW200C
3"	RK3-ZW200C
4"	RK4-ZW200C
6"	RK6-ZW200C
8"	RK8-ZW200C
10"	RK10-ZW200C
12"	RK12-ZW200C
14"	RK14-ZW200C
16"	RK16-ZW200C
RK-ZW200SK: ZW200 SERIES SEAT REPAIR KIT	
Includes seat, o-ring. RK10-ZW200SK includes seat, o-ring, screws	
1-1/4" - 1-1/2"	RK114-112-ZW200SK
2"	RK2-ZW200SK
2-1/2"	RK212-ZW200SK
3"	RK3-ZW200SK
4"	RK4-ZW200SK
6"	RK6-ZW200SK
8"	RK8-ZW200SK
10"	RK10-ZW200SK
12"	RK12-ZW200SK
14"	RK14-ZW200SK
16"	RK16-ZW200SK
RK-ZW200RV: ZW200 SERIES VITON RUBBER REPAIR KIT	
Includes diaphragm, stem o-rings, and disc	
1-1/4" - 1-1/2"	RK114-112-ZW200RV
2"	RK2-ZW200RV
2-1/2"	RK212-ZW200RV
3"	RK3-ZW200RV
4"	RK4-ZW200RV

BACKFLOW
PREVENTERS

BACKFLOW PREVENTERS
ACCESSORIES

STRAINERS

AUTOMATIC
CONTROL VALVES

PRESSURE
REDUCING VALVES

FIRE
PROTECTION VALVES

THERMOSTATIC
MIXING VALVES

RELIEF VALVES

MISCELLANEOUS
PLUMBING PRODUCTS

REPAIR KITS

PRESSURE REDUCING VALVE REPAIR KITS

SIZE	LEAD-FREE PART NUMBER
NR3XL/NR3 REPAIR KIT	
1/2"	RK12-NR3XL
3/4"	RK34-NR3XL
1"	RK1-NR3XL
1-1/4"	RK114-NR3XL
1-1/2"	RK112-NR3XL
2"	RK2-NR3XL
BR4 REPAIR KIT	
1/2"	RK12-BR4XL
3/4"	RK34-BR4XL
1"	RK1-BR4XL
1-1/4"	RK114-BR4
1-1/2"	RK112-BR4
2"	RK2-BR4
70XL/70 REPAIR KIT	
1/2"	RK12-70XL
3/4"	RK34-70XL
1"	RK1-70XL
70DU/70XLDU REPAIR KIT	
1-1/4"	RK114-70XLDU
1-1/2"	RK112-70XLDU
2"	RK2-70XLDU
70SS REPAIR KIT	
1/2"	RK34-70SS
3/4"	RK1-70SS
90 REPAIR KIT	
1/2"	RK34-90
3/4"	RK1-90
500XL AND 500 REPAIR KIT	
1/2"	RK12-500XL
3/4"	RK34-500XL
1"	RK1-500XL
1-1/4"	RK114-500XL
1-1/2"	RK112-500XL
2"	RK2-500XL
2-1/2"	RK212-500XL
3"	RK3-500XL
500XLHR/500HR REPAIR KIT	
1/2"	RK12-500XLHR
3/4"	RK34-500XLHR
1"	RK1-500XLHR
1-1/4"	RK114-500XLHR
1-1/2"	RK112-500XLHR
2"	RK2-500XLHR
2-1/2"	RK212-500XLHR
3"	RK3-500XLHR
500XLHLR/500HLR REPAIR KIT	
1/2"	RK12-500XLHLR
3/4"	RK34-500XLHLR
1"	RK1-500XLHLR
1-1/4"	RK114-500XLHLR
1-1/2"	RK112-500XLHLR
2"	RK2-500XLHLR
2-1/2"	RK212-500XLHLR
3"	RK3-500XLHLR
500XLHTSTSC REPAIR KIT	
1/2"	RK12-500XLHTSTSC
3/4"	RK34-500XLHTSTSC
1"	RK1-500XLHTSTSC
1-1/4"	RK114-500XLHTSTSC
1-1/2"	RK112-500XLHTSTSC
2"	RK2-500XLHTSTSC
2-1/2"	RK212-500XLHTSTSC
3"	RK3-500XLHTSTSC

SIZE	LEAD-FREE PART NUMBER
500XLFC/500FC REPAIR KIT	
2"	RK2-500XLF
2-1/2"	RK212-500XLF
3"	RK3-500XLF
510XL/510 REPAIR KIT	
1/2"	RK12-510XL
3/4"	RK34-510XL
1"	RK1-510XL
1-1/4"	RK114-510XL
1-1/2"	RK112-510XL
2"	RK2-510XL
2-1/2"	RK212-510XL
3"	RK3-510XL
600XL/600 REPAIR KIT	
1/2"	RK12-600XL
3/4"	RK34-600XL
1"	RK1-600XL
1-1/4"	RK114-600XL
1-1/2"	RK112-600XL
2"	RK2-600XL
600XLHR/600HR REPAIR KIT	
1/2"	RK12-600XLHR
3/4"	RK34-600XLHR
1"	RK1-600XLHR
1-1/4"	RK114-600XLHR
1-1/2"	RK112-600XLHR
2"	RK2-600XLHR
600XLHLR/600HLR REPAIR KIT	
1/2"	RK12-600XLHLR
3/4"	RK34-600XLHLR
1"	RK1-600XLHLR
1-1/4"	RK114-600XLHLR
1-1/2"	RK112-600XLHLR
2"	RK2-600XLHLR
600XLHTSTSC/600HTSTSC REPAIR KIT	
1/2"	RK12-600XLHTSTSC
3/4"	RK34-600XLHTSTSC
1"	RK1-600XLHTSTSC
1-1/4"	RK114-600XLHTSTSC
1-1/2"	RK112-600XLHTSTSC
2"	RK2-600XLHTSTSC
610XL/610 REPAIR KIT	
1/2"	RK12-610XL
3/4"	RK34-610XL
1"	RK1-610XL
1-1/4"	RK114-610XL
1-1/2"	RK112-610XL
2"	RK2-610XL

MISCELLANEOUS PARTS AND REPAIR KITS

QT/QTP – QUICK TEST BACKFLOW TEST FITTINGS

SIZE	BACKFLOW RANGE	QUANTITY PER PACK	PART NUMBER
MODEL QT: QUICK TEST BACKFLOW TEST FITTINGS			
1/4"	1/4" - 2"	3	RK14-QT
1/2"	2-1/2" - 4"	3	RK12-QT
3/4"	6" - 12"	3	RK34-QT
MODEL QTP: QUICK TEST BACKFLOW FITTINGS, THERMOPLASTIC			
1/4"	1/4" - 2"	3	RK14-QTP

BVHD – BLUE STAINLESS STEEL BALL VALVE HANDLES WITH STAINLESS STEEL NUT

SIZE	QUANTITY PER PACK	PART NUMBER
3/4"	2	RK34-BVHD
1"	2	RK1-BVHD
1-1/4"	2	RK114-BVHD
1-1/2"	2	RK112-BVHD
2"	2	RK2-BVHD

BVHDXL – GREEN STAINLESS STEEL BALL VALVE HANDLES WITH STAINLESS STEEL NUT

SIZE	QUANTITY PER PACK	PART NUMBER
3/4"	2	RK34-BVHDXL
1"	2	RK1-BVHDXL
1-1/4"	2	RK114-BVHDXL
1-1/2"	2	RK112-BVHDXL
2"	2	RK2-BVHDXL

860XL – LEAD FREE TEST COCKS (SET)

SIZE	QUANTITY PER PACK	PART NUMBER
1/8"	4	RK18-860XL
1/4"	4	RK14-860XL

860XLFT – LEAD FREE FAST-TEST COCKS WITH INTEGRAL SAE FITTINGS (SET)

SIZE	QUANTITY PER PACK	PART NUMBER
1/8"	4	RK18-860XLFT
1/4"	4	RK14-860XLFT

MISCELLANEOUS PARTS AND REPAIR KITS

860XL SERIES – BALL VALVE TEST COCKS (EACH)

SIZE	INLET X OUTLET CONNECTIONS / OPTIONS	LEAD-FREE PART NUMBER
------	--------------------------------------	-----------------------

860XL: BALL TYPE TEST COCKS

Sizes 1/8" and 1/4". Resilient seated ball type test cocks. All bronze construction. Certified to NSF/ANSI 372.

1/8"	1/8" MNPT x 1/4" FNPT	18-860XL
1/4"	1/4" MNPT x 1/4" FNPT	14-860XL

860XLFT: BALL TYPE FAST-TEST TEST COCKS

1/8"	1/8" MNPT x 1/4" 45° SAE	18-860XLFT
1/4"	1/4" MNPT x 1/4" 45° SAE	14-860XLFT

RK-975TOOL – COMPLETE SET OF 950XL/975XL SEAT REMOVAL TOOLS

SIZE	QUANTITY PER PACK	PART NUMBER
1/4" - 2"	3	RK-975TOOL

RK-BVTOOL – BALL VALVE HANDLE SOCKETS 3/4", 1", 1-1/4", 1-1/2", AND 2"

SIZE	QUANTITY PER PACK	PART NUMBER
3/4" - 2"	2	RK-BVTOOL

RPHBM REPAIR KITS

SIZE	DESCRIPTION	PART NUMBER
3"	Complete Repair Kit, 3-RPHBM	RK3-RPHBMC
3"	Rubber Repair Kit, 3-RPHBM	RK3-RPHBMR

FIRE VALVE REPAIR KITS

SIZE	DESCRIPTION	PART NUMBER
1-1/2"	Repair Kit for Models 2100 and 2105	RK112-FV
1-1/2"	Repair Kit for Models 4100 and 4104	RK4100
2-1/2"	Repair Kit for Models 3000, 3004, 3005, 4000, 4004, ZW5000 and ZW5004	RK212-FV

BACKFLOW PREVENTERS

BACKFLOW PREVENTERS ACCESSORIES

STRAINERS

AUTOMATIC CONTROL VALVES

PRESSURE REDUCING VALVES

FIRE PROTECTION VALVES

THERMOSTATIC MIXING VALVES

RELIEF VALVES

MISCELLANEOUS PLUMBING PRODUCTS

REPAIR KITS

NOTES

BACKFLOW
PREVENTERS

BACKFLOW PREVENTERS
ACCESSORIES

STRAINERS

AUTOMATIC
CONTROL VALVES

PRESSURE
REDUCING VALVES

FIRE
PROTECTION VALVES

THERMOSTATIC
MIXING VALVES

RELIEF VALVES

MISCELLANEOUS
PLUMBING PRODUCTS

REPAIR KITS

LIST PRICING

WILKINS P/N	DESCRIPTION, INLET X OUTLET CONNECTIONS, OPTIONS	DISCOUNT GROUP	LIST PRICE
RK112-35	Repair Kit - Model 35	4800-PART	\$53.00
RK114-35	Repair Kit - Model 35	4800-PART	\$45.00
RK12-35	Repair Kit - Model 35	4800-PART	\$33.00
RK1-35	Repair Kit - Model 35	4800-PART	\$44.00
RK14-35	Repair Kit - Model 35	4800-PART	\$30.00
RK2-35	Repair Kit - Model 35	4800-PART	\$59.00
RK34-35	Repair Kit - Model 35	4800-PART	\$38.00
3-48	Gate Valve, NRS, Flanged x Flanged	4800-00GV	\$3,072.00
4-48	Gate Valve, NRS, Flanged x Flanged	4800-00GV	\$3,182.00
6-48	Gate Valve, NRS, Flanged x Flanged	4800-00GV	\$4,294.00
8-48	Gate Valve, NRS, Flanged x Flanged	4800-00GV	\$6,643.00
10-48	Gate Valve, NRS, Flanged x Flanged	4800-00GV	\$9,025.00
10-48G	Gate Valve, NRS, Grooved x Grooved	4800-00GV	\$9,025.00
10-48GXF	Gate Valve, NRS, Grooved x Flanged	4800-00GV	\$9,025.00
10-48OP	Gate Valve, NRS, Flanged x Flanged, OP Nut, Plugged	4800-00GV	\$9,546.00
10-48OSYST	GATE VALVE, 10" OS&Y W/SS STM & TRIM	4800-00GV	\$12,347.00
10-48OSY-UWA	10" IMPORT GV UPPER WORKING ASSY	4800-00GV	\$6,318.00
10-48PIVFN16	GATE VALVE, 10" NRS W/PI PN16 FXF	4800-00GV	\$12,347.00
10-48-UWA	10" IMPORT GV UPPER WORKING ASSY, NRS	4800-00GV	\$3,767.00
12IN-48	Gate Valve, NRS, Flanged x Flanged	4800-00GV	\$17,354.00
12IN-48OP	GATE VALVE, 12" W/OP NUT, PLUGGED	4800-00GV	\$16,226.00
12IN-48OSYRH	GATE VALVE, 12 INCH OSY RIGHT HAND	4800-00GV	\$17,882.00
12IN-48OSY-UWA	GATE VALVE, 12 INCH IMPORT GV UPPER WORKING ASSY	4800-00GV	\$7,129.00
12IN-48PIVFN16	GATE VALVE, 12 INCH NRS W/PI PN16 FXF	4800-00GV	\$17,882.00
12IN-BK	12" BOLT KIT	4800-0LBF	\$1,511.00
12IN-FCIS	FCIS 12" DI Body 375 NRS Gate Flg x Flg ZW206 Norm Op	4800-0LBF	\$151,949.00
12IN-FS	12" FLG STRAINER	4800-0STR	\$20,842.00
212-48	Gate Valve, NRS, Flanged x Flanged	4800-00GV	\$2,462.00
212-48G	Gate Valve, NRS, Grooved x Grooved	4800-00GV	\$2,462.00
212-48GXF	Gate Valve, NRS, Grooved x Flanged	4800-00GV	\$2,462.00
212-48OP	Gate Valve, NRS, Flanged x Flanged, OP Nut, Plugged	4800-00GV	\$2,604.00
212-48OPG	2-1/2" GV GXG W/OP NUT, PLUGGED	4800-00GV	\$2,602.00
212-48OSY-PN16	GATE VALVE, 2 1/2" OS&Y PN16 FLG	4800-00GV	\$3,016.00
212-48OSYST	GATE VALVE, 2 1/2" OS&Y W/SS STM & TRIM	4800-00GV	\$3,016.00
212-48OSYST-TRIM	2-1/2" OSY GV STAINLESS STEEL TRIM	4800-00GV	\$152.00
212-48OSY-UWA	2-1/2" IMPORT GV UPPER WORKING ASSY	4800-00GV	\$983.00
212-48-UWA	2-1/2" IMPORT GV UPPER WORKING ASSY, NRS	4800-00GV	\$1,364.00
3-48G	Gate Valve, NRS, Grooved x Grooved	4800-00GV	\$2,874.00
3-48GXF	Gate Valve, NRS, Grooved x Flanged	4800-00GV	\$2,874.00
3-48OP	Gate Valve, NRS, Flanged x Flanged, OP Nut, Plugged	4800-00GV	\$3,036.00
3-48OPG	3" GV GXG W/OP NUT, PLUGGED	4800-00GV	\$2,907.00
3-48OSY-PN16	GATE VALVE, 3" OS&Y PN16 FLG	4800-00GV	\$3,399.00
3-48OSYST	GATE VALVE, 3" OS&Y W/SS STM & TRIM	4800-00GV	\$3,399.00
3-48OSYST-TRIM	3"-4" OSY GV STAINLESS STEEL TRIM	4800-00GV	\$342.00
3-48PIVFN16	GATE VALVE, 3" NRS W/PI PN16 FXF	4800-00GV	\$3,399.00
371-48AXL	BV, 1/2" 375 IN LEAD FREE, SS HANDL	4800-0SFB	\$345.00
4-48G	Gate Valve, NRS, Grooved x Grooved	4800-00GV	\$3,182.00
4-48GXF	Gate Valve, NRS, Grooved x Flanged	4800-00GV	\$3,182.00
4-48OP	Gate Valve, NRS, Flanged x Flanged, OP Nut, Plugged	4800-00GV	\$3,357.00
4-48OPG	Gate Valve, NRS, Grooved x Grooved, OP Nut, Plugged	4800-00GV	\$3,357.00
4-48OPGXF	Gate Valve, NRS, Grooved x Flanged, OP Nut, Plugged	4800-00GV	\$3,670.00
4-48OSY-PN16	GATE VALVE, 4" OS&Y PN16 FLG	4800-00GV	\$3,670.00
4-48OSYST	GATE VALVE, 4" OS&Y W/SS STM & TRIM	4800-00GV	\$3,670.00
4-48OSY-UWA	4" IMPORT GV UPPER WORKING ASSY	4800-00GV	\$2,155.00
4-48PIVFN16	GATE VALVE, 4" NRS W/PI PN16 FXF	4800-00GV	\$3,670.00
4-48-PN16	GATE VALVE, 4" NRS PN16 FLG	4800-00GV	\$3,532.00
4-48-UWA	4" IMPORT GV UPPER WORKING ASSY, NRS	4800-0LBF	\$2,555.00
6-48G	Gate Valve, NRS, Grooved x Grooved	4800-00GV	\$4,294.00
6-48GXF	Gate Valve, NRS, Grooved x Flanged	4800-00GV	\$4,294.00
6-48OP	Gate Valve, NRS, Flanged x Flanged, OP Nut, Plugged	4800-00GV	\$4,539.00
6-48OPG	Gate Valve, NRS, Grooved x Grooved, OP Nut, Plugged	4800-00GV	\$4,539.00
6-48OSY-PN16	GATE VALVE, 6" OS&Y PN16 FLG	4800-00GV	\$5,747.00
6-48OSYST	GATE VALVE, 6" OS&Y W/SS STM & TRIM	4800-00GV	\$5,747.00
6-48OSYST-TRIM	6" OSY GV STAINLESS STEEL TRIM	4800-00GV	\$783.00
6-48OSY-UWA	6" IMPORT GV UPPER WORKING ASSY	4800-00GV	\$3,452.00
6-48PIVFN16	GATE VALVE, 6" NRS W/PI PN16 FXF	4800-00GV	\$5,747.00
6-48-PN16	GATE VALVE, 6" NRS PN16 FLG	4800-00GV	\$4,765.00
8-48G	Gate Valve, NRS, Grooved x Grooved	4800-00GV	\$6,643.00
8-48GXF	Gate Valve, NRS, Grooved x Flanged	4800-00GV	\$6,643.00
8-48OP	Gate Valve, NRS, Flanged x Flanged, OP Nut, Plugged	4800-00GV	\$7,022.00
8-48OPG	Gate Valve, NRS, Grooved x Grooved, OP Nut, Plugged	4800-00GV	\$7,022.00
8-48OSY-PN16	GATE VALVE, 8" OS&Y PN16 FLG	4800-00GV	\$9,096.00
8-48OSYST	GATE VALVE, 8" OS&Y W/SS STM & TRIM	4800-00GV	\$9,096.00
8-48OSYST-TRIM	8"-10" OSY GV STAINLESS STEEL TRIM	4800-00GV	\$2,210.00
8-48OSY-UWA	8" IMPORT GV UPPER WORKING ASSY	4800-00GV	\$4,333.00
8-48PIVFN16	GATE VALVE, 8" NRS W/PI PN16 FXF	4800-00GV	\$9,096.00
8-48-PN16	GATE VALVE, 8" NRS PN16 FLG	4800-00GV	\$7,373.00
8-48-UWA	8" IMPORT GV UPPER WORKING ASSY, NRS	4800-00GV	\$2,772.00
RK10-48	Repair Kit, 10" Model 48 (NRS ONLY) Rubbers, Wedge not included	4800-PART	\$97.00
RK10-48OSYP	REPAIR KIT, PACKING, 10" 48OSY	4800-PART	\$86.00
RK12-48OSYP	REPAIR KIT, PACKING, 12" 48OSY	4800-PART	\$86.00

WILKINS P/N	DESCRIPTION, INLET X OUTLET CONNECTIONS, OPTIONS	DISCOUNT GROUP	LIST PRICE
RK12IN-48	Repair Kit, 12" Model 48 (NRS ONLY) Rubbers, Wedge not included	4800-PART	\$99.00
RK212-48	Repair Kit, 2-1/2" Model 48 (NRS ONLY) Rubbers, Wedge not included	4800-PART	\$95.00
RK212-48OSYP	REPAIR KIT, PACKING, 2-1/2" 48OSY	4800-PART	\$95.00
RK3-48	Repair Kit, 3" Model 48 (NRS ONLY) Rubbers, Wedge not included	4800-PART	\$125.00
RK3-48OSYP	REPAIR KIT, PACKING, 3" & 4" 48OSY	4800-PART	\$93.00
RK4-48	Repair Kit, 4" Model 48 (NRS ONLY) Rubbers, Wedge not included	4800-PART	\$126.00
RK6-48	Repair Kit, 6" Model 48 (NRS ONLY) Rubbers, Wedge not included	4800-PART	\$97.00
RK6-48OSYP	REPAIR KIT, PACKING, 6" 48OSY	4800-PART	\$86.00
RK8-48	Repair Kit, 8" Model 48 (NRS ONLY) Rubbers, Wedge not included	4800-PART	\$96.00
RK8-48OSYP	REPAIR KIT, PACKING, 8" 48OSY	4800-PART	\$86.00
10-49FXG	10" BUTTERFLY VLV FXG	4800-00GV	\$14,168.00
10-49G	10" BUTTERFLY VLV GXG10" BUTTERFLYVLVFXG	4800-00GV	\$12,195.00
10-49GXF	10" BUTTERFLY VLV GXF10" BUTTERFLYVLVFXG	4800-00GV	\$14,168.00
10-ACVFCIS24NOP	FCIS subassembly, 10" Solenoid Valve, Endpoint, Connector kits	4800-00GV	\$51,736.00
112-49BRXLSS	1-1/2" BFLY VLV, W/SUPER SWITCH LEAD FREE	4800-0MWS	\$3,402.00
112-49BRXLST	1-1/2" BFLY VLV, W/SS & TAP LEAD FREE	4800-0MWS	\$3,472.00
114-49BRXLSS	1-1/4" BFLY VLV, W/SUPER SWITCH LEAD FREE	4800-0MWS	\$2,524.00
114-49BRXLST	1-1/4" BFLY VLV, W/SS & TAP LEAD FREE	4800-0MWS	\$2,600.00
1-49BRXLSS	1" BFLY VLV, W/SUPER SWITCH LEAD FREE	4800-0MWS	\$2,524.00
212-49FXG	2-1/2" BUTTERFLY VLV FXG	4800-00GV	\$3,356.00
212-49G	2 1/2" BUTTERFLY VLV GXG21/2" BUTTERFLYVLVFXG	4800-00GV	\$3,153.00
212-49GXF	2 1/2" BUTTERFLY VLV GXF21/2" BUTTERFLYVLVFXG	4800-00GV	\$3,356.00
2-49BRXLSS	2" BFLY VLV, W/SUPER SWITCH LEAD FREE	4800-0MWS	\$3,489.00
2-49BRXLST	2" BFLY VLV, W/SS & TAP LEAD FREE	4800-0MWS	\$3,561.00
3-49FXG	3" BUTTERFLY VLV FXG	4800-00GV	\$3,895.00
3-49G	3" BUTTERFLY VLV GXG3" BUTTERFLYVLVFXG	4800-00GV	\$3,554.00
3-49GXF	3" BUTTERFLY VLV GXF3" BUTTERFLYVLVFXG	4800-00GV	\$3,895.00
4-49FXG	4" BUTTERFLY VLV FXG	4800-00GV	\$4,268.00
4-49G	4" BUTTERFLY VLV GXG4" BUTTERFLYVLVFXG	4800-00GV	\$3,450.00
4-49GXF	4" BUTTERFLY VLV GXF4" BUTTERFLYVLVFXG	4800-00GV	\$4,268.00
6-49FXG	6" BUTTERFLY VLV FXG	4800-00GV	\$6,562.00
6-49G	6" BUTTERFLY VLV GXG6" BUTTERFLYVLVFXG	4800-00GV	\$5,401.00
6-49GXF	6" BUTTERFLY VLV GXF6" BUTTERFLYVLVFXG	4800-00GV	\$6,562.00
8-49FXG	8" BUTTERFLY VLV FXG	4800-00GV	\$10,079.00
8-49G	8" BUTTERFLY VLV GXG8" BUTTERFLYVLVFXG	4800-00GV	\$8,549.00
8-49GXF	8" BUTTERFLY VLV GXF8" BUTTERFLYVLVFXG	4800-00GV	\$10,079.00
8-ACVFCIS24NOP	FCIS subassembly, 8" Solenoid Valve, Endpoint, Connector kits	4800-00GV	\$40,653.00
8-ACVFCIS24NOP	FCIS subassembly, 8" Solenoid Valve, Endpoint, Connector kits	4800-00GV	\$40,365.00
1-70DUSPC-CPVC	1" SPACER NIPPLE W/CPVC TPK 2EA	4800-0PRV	\$162.00
RK1-70SS	Repair Kit - 70SS	4800-PART	\$143.00
RK34-70SS	Repair Kit - 70SS	4800-PART	\$105.00
12-195SLK	HOSE BIBB, 1/2" MPT NO KINK W/LOOSE KEY	4800-0HYD	\$194.00
3-310BS	Single Check Valve Assy, Flanged x Flanged, British Flange/Threads	4800-0LBF	\$3,821.00
4-310	Single Check Valve Assy, Flanged x Flanged	4800-0LBF	\$3,821.00
4-310-1INCH	4" 310 FXF L/GATES 1" NPT TAPS	4800-0LBF	\$3,767.00
4-310BS	Single Check Valve Assy, Flanged x Flanged, British Flange/Threads	4800-0LBF	\$3,821.00
4-310BSD	4" 310 L/GV W/BS TABLE D FLG4" 310LGVWVBSTABLED FLG	4800-0LBF	\$3,821.00
4-310BSG	Single Check Valve Assy, Grooved x Grooved, British Threads	4800-0LBF	\$3,767.00
4-310BSLCHECK	310 L/GV,CHK W/BSTHD,FLG310L/GV,CHKW/BSTHD,F	4800-0LBF	\$3,250.00
4-310DA-BOW	4" 310 Sngl Chk DA DI Body Gal Mtr Less Shutoff FLG X FLG Water Board Honolulu	4800-0LBF	\$6,382.00
4-310DALM-BOW	4" 310 Sngl Chk DA DI Body Less Mtr Less Shutoff FLG X FLG Water Board Honolulu	4800-0LBF	\$6,046.00
4-310DALM-HI	4" 310 Sngl Chk DA DI Body Less Mtr Less Shutoff FLG X FLG Big Island WD	4800-0LBF	\$6,046.00
4-310FP	4" 310 Sngl Chk DI Body Less Shutoff Red FLG X FLG	4800-0LBF	\$3,938.00
4-310GR-A	4" 310 Sngl Chk DI Body W/spool Less Shutoff GRV X GRV	4800-0LBF	\$4,365.00
4-310OSY	Single Check Valve Assy, Flanged x Flanged, OS & Y Gate Valves	4800-0LBF	\$9,573.00
4-310OSYPFG	Single Check Valve Assy, Flanged OSY x Grooved PI	4800-0LBF	\$9,573.00
6-310	Single Check Valve Assy, Flanged x Flanged	4800-0LBF	\$5,256.00
6-310-1INCH	6" 310 FXF L/GATES 1" NPT TAPS	4800-0LBF	\$5,256.00
6-310BS	Single Check Valve Assy, Flanged x Flanged, British Flange/Threads	4800-0LBF	\$5,339.00
6-310BSG	Single Check Valve Assy, Grooved x Grooved, British Threads	4800-0LBF	\$5,256.00
6-310DA-BOW	6" 310 Sngl Chk DA DI Body Gal Mtr Less Shutoff FLG X FLG Water Board Honolulu	4800-0LBF	\$7,887.00
6-310DACFMOSY	6" 310 Sngl Chk DA DI Body CU Ft Mtr OSY Gates FLG X FLG	4800-0LBF	\$17,408.00
6-310DAF48OSY	6" 310 Sngl Chk DA DI Body Gal Mtr F48OSYF Gates FLG X FLG	4800-0LBF	\$14,120.00
6-310DALM-BOW	6" 310 Sngl Chk DA DI Body Less Mtr Less Shutoff FLG X FLG Water Board Honolulu	4800-0LBF	\$7,924.00

6-310DALM-HI	6" 310 Sngl Chk DA DI Body Less Mtr Less Shutoff FLG X FLG Big Island WD	4800-OLBF	\$7,924.00
6-310OOSY	Single Check Valve Assy, Flanged x Flanged, OS & Y Gate Valves	4800-OLBF	\$14,334.00
8-310	Single Check Valve Assy, Flanged x Flanged	4800-OLBF	\$10,222.00
8-310-1INCH	8" 310 FXF L/GATES 1"NPT TAPS	4800-OLBF	\$10,222.00
8-310BS	Single Check Valve Assy, Flanged x Flanged, British Flange/Threads	4800-OLBF	\$15,921.00
8-310BSG	Single Check Valve Assy, Grooved x Grooved, British Threads	4800-OLBF	\$15,685.00
8-310DA-BOW	8" 310 Sngl Chk DA DI Body Gal Mtr Less Shutoff FLG X FLG Water Board Honolulu	4800-OLBF	\$17,723.00
8-310DACFM	8" 310 Sngl Chk DA DI Body CU Ft Mtr Less Shutoff FLG X FLG	4800-OLBF	\$14,164.00
8-310DACFMOSY	8" 310 Sngl Chk DA DI Body CU Ft Mtr OSY Gates FLG X FLG	4800-OLBF	\$21,786.00
8-310DAF48OSY	8" 310 Sngl Chk DA DI Body Gal Mtr F48OSY Gates FLG X FLG	4800-OLBF	\$23,252.00
8-310DALM-BOW	8" 310 Sngl Chk DA DI Body Less Mtr Less Shutoff FLG X FLG Water Board Honolulu	4800-OLBF	\$13,422.00
8-310DALM-HI	8" 310 Sngl Chk DA DI Body Less Mtr Less Shutoff FLG X FLG Big Island WD	4800-OLBF	\$13,937.00
8-310DALMNYC	8" 310 Sngl Chk DA DI Body Less Mtr NYC Less Shutoff FLG X FLG	4800-OLBF	\$13,373.00
8-310DALMOSY	8" 310 Sngl Chk DA DI Body Less Mtr OSY Gates FLG X FLG	4800-OLBF	\$20,990.00
8-310OOSY	Single Check Valve Assy, Flanged x Flanged, OS & Y Gate Valves	4800-OLBF	\$26,324.00
RK4-310	Repair Kit - Model 310	4800-PART	\$140.00
RK4-310CK	REPAIR KIT, CHECK ASSY, 4" 310	4800-PART	\$787.00
RK6-310	Repair Kit - Model 310	4800-PART	\$217.00
RK6-310DANYC-BP-LM	Repair Kit, Bypass Assy, 6" 310DANYC Less Meter	4800-PART	\$1,143.00
RK8-310	REPAIR KIT, 8" 310REPAIRKIT, 8"310	4800-PART	\$93.00
100-350SPE	4" (100mm) 350 DC SS Body W/ Table E FLG X FLG	4800-OLBF	\$12,543.00
10-350ADACMM	10" 350 DCDA DI Body CU Mtr Mtr OSY Gates FLG X FLG	4800-OLBF	\$63,048.00
10-350ADACMMBG	10" 350 DCDA DI Body CU Mtr Mtr Bfly GRV X GRV	4800-OLBF	\$70,363.00
10-350ADAL-RPCK	10" 350 DCDA DI Body Gal Mtr Less Shutoff Grv X Grv w/ RPH#1 check Aus	4800-OLBF	\$34,442.00
10-350ADARCFM-A	10" 350 DCDA DI Body W/spool CU Ft Mtr OSY Gates FLG X FLG	4800-OLBF	\$56,811.00
10-350ASTDACMM	10" 350 DCDA SS Body CU Mtr Mtr OSY Gates FLG X FLG	4800-OLBF	\$63,048.00
10-350ASTDACMMBG	10" 350 DCDA SS Body CU Mtr Mtr Bfly GRV X GRV	4800-OLBF	\$70,363.00
10-350ASTDADAG	10" 350 DCDA SS Body Gal Mtr OSY Gates GRV X GRV	4800-OLBF	\$56,130.00
10-350ASTDALBS-RPCK	10" DCDA SS BODY Less Shutoff GRV X GRV BS grooves #1 RP chk	4800-OLBF	\$66,051.00
10-350ASTDALM	10" 350 DCDA SS Body Less Mtr OSY Gates FLG X FLG	4800-OLBF	\$55,337.00
10-350ASTDALMBG	10" 350 DCDA SS Body Less Mtr Bfly GRV X GRV	4800-OLBF	\$61,852.00
10-350ASTDALMNYC	10" 350 DCDA SS Body Less Mtr NYC OSY Gates FLG X FLG	4800-OLBF	\$55,337.00
10-350ASTDALMNYCBF	10" 350 DCDA SS BODY LESS MTR NYC BFLY FLG X FLG	4800-OLBF	\$64,393.00
10-350ASTDOSYPI	10" 350 DCDA SS Body Gal Mtr OSY X Post Ind FLG X FLG	4800-OLBF	\$51,634.00
10-350ASTDARCFM-A	10" 350 DCDA SS Body W/spool CU Ft Mtr OSY Gates FLG X FLG	4800-OLBF	\$56,811.00
10-350ASTDARCFM-A	10" 350 DCDA SS Body W/spool CU Ft Mtr OSY Gates GRV X GRV	4800-OLBF	\$56,811.00
10-350ASTDARVBG	10" 350 DCDA SS Body Gal Mtr Bfly GRV X GRV Rev Bypass	4800-OLBF	\$62,649.00
10-350ASTG	10" 350 DC SS Body NRS Gates GRV X GRV	4800-OLBF	\$50,959.00
10-350ASTLGB	10" 350 DC SS Body Less Inlet Shutoff X Bfly Grv x Grv	4800-OLBF	\$43,669.00
10-350ASTLBS-RPCK	10" 350 DC SS Body Less Shutoff GRV X GRV BS grooves #1 RP chk	4800-OLBF	\$32,546.00
10-350ASTOSYFG	10" 350 DC SS Body OSY Gates FLG X GRV	4800-OLBF	\$51,634.00
10-350ASTOSYF	10" 350 DC SS Body OSY Gates GRV X GRV	4800-OLBF	\$51,634.00
10-350ASTOSYPI	10" 350 DC SS Body Gal Mtr OSY X Post Ind FLG X FLG	4800-OLBF	\$51,634.00
10-350ASTR-A	10" 350 DC SS Body W/spool NRS Gates FLG X FLG	4800-OLBF	\$51,642.00
10-350ASTRBF-A	10" 350 DC SS Body W/spool Bfly Gates FLG X FLG	4800-OLBF	\$56,709.00
10-350ASTROSY-A	10" 350 DC SS Body W/spool OSY Gates FLG X FLG	4800-OLBF	\$52,345.00
10-350ASTST	10" 350 DC SS Body NRS Gates SS Hardware FLG X FLG	4800-OLBF	\$57,944.00
10-350DABG	10" 350 DCDA DI Body Gal Mtr Bfly GRV X GRV	4800-OLBF	\$62,649.00
10-350DAHI	10" 350 DCDA DI Body Gal Mtr OSY Gates FLG X FLG Hawaii	4800-OLBF	\$63,048.00
10-350DALBSD-RPCK	10" 350 DCDA DI Body Gal Mtr Less Shutoff TBL D FLG X FLG w/RPH#1 check Aus	4800-OLBF	\$35,196.00
10-350DALM	10" 350 DCDA DI Body Less Mtr Less Shutoff FLG X FLG	4800-OLBF	\$38,795.00
10-350LFSC	10" 350 DC DI Body Less Shutoff FLG Strnr FLG X FLG	4800-OLBF	\$49,963.00
112-350XL-BAA	1-1/2" 350 DC Ball Vlv NPT Top Access Lead Free, BAA Compliant	4800-OSBF	\$2,625.00
114-350XLSHFT	Depleting, SEE 114-350XLF	4800-OSBF	\$2,016.00
121N-350DALBSE-RPCK	121N 350 DCDA DI Body Gal Mtr Less Shutoff TBL E FLG X FLG w/RPH#1 check Aus	4800-OLBF	\$43,181.00
121n-350DALCFM	121N 350 DCDA DI Body CU Ft Mtr Less Shutoff FLG X FLG	4800-OLBF	\$55,897.00
121N-350DALLM	121N 350 DCDA DI Body Less Mtr Less Shutoff FLG X FLG	4800-OLBF	\$54,976.00
121N-350DAPIOSY	121N 350 DCDA DI Body Gal Mtr Post Ind X OSY FLG X FLG	4800-OLBF	\$90,440.00
121N-350DAPIOSYRV	121N 350 DCDA DI Body Gal Mtr Rvs DA Side Post Ind X OSY FLG X FLG	4800-OLBF	\$90,440.00
121N-350DARH	121N 350 DCDA DI Body Gal Mtr OSY Gates Rht Hand GV FLG X FLG	4800-OLBF	\$71,662.00
121N-350LFSC	121N 350 DC DI Body Less Shutoff FLG Strnr FLG X FLG	4800-OLBF	\$77,335.00
1-350-BAA	1" 350 DC Ball Vlv NPT Top Access Non Potable, BAA Compliant	4800-OSBF	\$719.00
1-350FT-BAA	1" 350 DC Ball Vlv Fastest TC NPT Top Access Non Potable, BAA Compliant	4800-OSBF	\$719.00
1-350XL-BAA	1" 350 DC Ball Vlv NPT Top Access Lead Free, BAA Compliant	4800-OSBF	\$1,011.00
1-350XLISTAND	STAND FOR 1-350XL	4800-OMWS	\$645.00
212-350ABNRSBG	2-1/2" 350 DC DI Body Bfly X NRS GRV X GRV	4800-OLBF	\$13,516.00
212-350ABNRSYFG	2-1/2" 350 DC DI Body Bfly X NRS GRV X FLG	4800-OLBF	\$13,975.00
212-350DABPIG	2-1/2" 350 DCDA DI Body Gal Mtr Bfly X Post Ind GRV X GRV	4800-OLBF	\$14,367.00
212-350ADACMM	2-1/2" 350 DCDA DI Body CU Mtr Mtr OSY Gates FLG X FLG	4800-OLBF	\$14,367.00
212-350ADACMMBG	2-1/2" 350 DCDA DI Body CU Mtr Mtr Bfly GRV X GRV	4800-OLBF	\$15,347.00
212-350ADALMNYC	2-1/2" 350 DCDA DI Body Less Mtr NYC OSY Gates FLG X FLG	4800-OLBF	\$11,188.00
212-350ADALMNYCBG	2-1/2" 350 DCDA DI Body Less Mtr NYC Bfly GRV X GRV	4800-OLBF	\$13,994.00
212-350ADAPIBG	2-1/2" 350 DCDA DI Body Gal Mtr Post Ind X Bfly GRV X GRV	4800-OLBF	\$14,857.00
212-350ADARBFA	2-1/2" 350 DCDA DI Body W/spool Gal Mtr Bfly FLG X FLG	4800-OLBF	\$13,688.00

212-350AFSC	2-1/2" 350 DC DI Body NRS Gates FLG Strnr FLG X FLG	4800-OLBF	\$10,213.00
212-350ANRSBG	2-1/2" 350 DC DI Body NRS X Bfly GRV X GRV	4800-OLBF	\$13,516.00
212-350AOSYBG	2-1/2" 350 DC DI Body OSY X Bfly GRV X GRV	4800-OLBF	\$13,739.00
212-350AOSYFG	2-1/2" 350 DC DI Body OSY Gates FLG X GRV	4800-OLBF	\$9,898.00
212-350AOSYFSC	2-1/2" 350 DC DI Body OSY Gates FLG Strnr FLG X FLG	4800-OLBF	\$11,242.00
212-350AOSYPI	2-1/2" 350 DC DI Body OSY X Post Ind FLG X FLG	4800-OLBF	\$9,898.00
212-350APIOSY	2-1/2" 350 DC DI Body Post Ind X OSY GRV X GRV	4800-OLBF	\$9,898.00
212-350ARBF-A	2-1/2" 350 DC DI Body W/spool Bfly FLG X FLG	4800-OLBF	\$10,307.00
212-350ASTBNRSBG	2-1/2" 350 DC SS Body Bfly X NRS GRV X GRV	4800-OLBF	\$13,619.00
212-350ASTBNRSYFG	2-1/2" 350 DC SS Body Bfly X NRS GRV X FLG	4800-OLBF	\$13,516.00
212-350ASTDACFMFB	2-1/2" 350 DCDA SS Body CU Ft Mtr Bfly FLG X FLG	4800-OLBF	\$13,144.00
212-350ASTDACFMFBG	2-1/2" 350 DCDA SS Body CU Ft Mtr Bfly GRV X GRV	4800-OLBF	\$12,803.00
212-350ASTDACMM	2-1/2" 350 DCDA SS Body CU Mtr Mtr OSY Gates FLG X FLG	4800-OLBF	\$14,367.00
212-350ASTDACMMBG	2-1/2" 350 DCDA SS Body CU Mtr Mtr Bfly GRV X GRV	4800-OLBF	\$15,347.00
212-350ASTDAFGRV	2-1/2" 350 DCDA SS Body Gal Mtr OSY Gates FLG X GRV Rev. Bypass	4800-OLBF	\$11,985.00
212-350ASTDAG	2-1/2" 350 DCDA SS Body Gal Mtr OSY Gates GRV X GRV	4800-OLBF	\$11,979.00
212-350ASTDALMBG	2-1/2" 350 DCDA SS Body Less Mtr Bfly GRV X GRV	4800-OLBF	\$12,014.00
212-350ASTDALMNYC	2-1/2" 350 DCDA SS Body Less Mtr NYC OSY Gates FLG X FLG	4800-OLBF	\$11,188.00
212-350ASTDALMNYCBG	2-1/2" 350 DCDA SS Body Less Mtr NYC Bfly GRV X GRV	4800-OLBF	\$12,014.00
212-350ASTDAPIBG	2-1/2" 350 DCDA SS Body Gal Mtr Post Ind X Bfly GRV X GRV	4800-OLBF	\$15,347.00
212-350ASTDAR A	2-1/2" 350 DCDA SS Body W/spool Gal Mtr OSY Gates FLG X FLG	4800-OLBF	\$12,529.00
212-350ASTDARBFA	2-1/2" 350 DCDA SS Body W/spool Gal Mtr Bfly FLG X FLG	4800-OLBF	\$13,688.00
212-350ASTDARCFM-A	2-1/2" 350 DCDA SS Body W/spool CU Ft Mtr OSY Gates FLG X FLG	4800-OLBF	\$12,529.00
212-350ASTDARCFMFB-A	2-1/2" 350 DCDA SS Body W/spool CU Ft Mtr Bfly FLG X FLG	4800-OLBF	\$13,688.00
212-350ASTDARV	2-1/2" 350 DCDA SS Body Gal Mtr OSY Gates FLG X FLG Rev Bypass	4800-OLBF	\$11,985.00
212-350ASTLBS	2-1/2" 350 DC SS Body Less Shutoff BS Grv x Grv BS grooves	4800-OLBF	\$11,055.00
212-350ASTLBS-RPCK	2-1/2" 350 DC SS Body Less Shutoff GRV X GRV BS grooves #1 RP chk	4800-OLBF	\$11,234.00
212-350ASTOSYF	2-1/2" 350 DC SS Body OSY Gates GRV X GRV	4800-OLBF	\$9,898.00
212-350ASTOSYFG	2-1/2" 350 DC SS Body OSY Gates GRV X FLG	4800-OLBF	\$9,898.00
212-350ASTOSYST	2-1/2" 350 DC SS Body OSY Gates SS Hardware FLG X FLG	4800-OLBF	\$14,642.00
212-350ASTRBF-A	2-1/2" 350 DC SS Body W/spool Bfly FLG X FLG	4800-OLBF	\$10,307.00
212-350ASTRBF-A	2-1/2" 350 DC SS Body W/spool Bfly GRV X GRV	4800-OLBF	\$10,032.00
212-350ASTROSYGF-A	2-1/2" 350 DC SS Body W/spool OSY Gates GRV X FLG	4800-OLBF	\$10,442.00
212-350ASTST	2-1/2" 350 DC SS Body NRS Gates SS Hardware FLG X FLG	4800-OLBF	\$14,200.00
212-350B	2-1/2" 350 DC DI Body Bfly GRV X GRV	4800-OLBF	\$11,996.00
212-350DABG	2-1/2" 350 DCDA DI Body Bfly GRV X GRV	4800-OLBF	\$12,665.00
212-350DACMM	2-1/2" 350 DCDA DI Body CU Mtr OSY Gates FLG X FLG	4800-OLBF	\$13,937.00
212-350DALMBG	2-1/2" 350 DCDA DI Body Less Mtr Bfly GRV X GRV	4800-OLBF	\$12,014.00
212-350DAPISYFG	2-1/2" 350 DC DI Body OSY X Post Ind FLG X GRV	4800-OLBF	\$9,898.00
2-350DALMNYC	2" 350 DCDA DI Body Less Mtr NYC OSY Gates FLG X FLG	4800-OSBF	\$12,456.00
2-350XL-BAA	2" 350 DC Ball Vlv NPT Top Access Lead Free, BAA Compliant	4800-OSBF	\$2,961.00
2-350XLF-BAA	2" 350 DC Ball Vlv Fastest TC NPT Top Access Lead Free, BAA Compliant	4800-OSBF	\$2,961.00
2-350XLFST	2" 350 DC Ball Vlv Fastest TC NPT SXL Strainr Top Access Lead Free	4800-OSBF	\$3,129.00
3-350ADABPIG	3" 350 DCDA DI Body Gal Mtr Bfly X Post Ind GRV X FLG	4800-OLBF	\$16,419.00
3-350ADACFMFB	3" 350 DCDA DI Body CU Ft Mtr OSY Gates FLG X FLG	4800-OLBF	\$13,590.00
3-350ADACMM	3" 350 DCDA DI Body CU Mtr OSY Gates FLG X GRV	4800-OLBF	\$15,067.00
3-350ADACMMBG	3" 350 DCDA DI Body CU Mtr Mtr Bfly GRV X GRV	4800-OLBF	\$15,347.00
3-350ADALMFG	3" 350 DCDA DI Body Less Mtr OSY Gates FLG X GRV	4800-OLBF	\$12,801.00
3-350ADALMOSYPI	3" 350 DCDA DI Body Less Meter OSY X Post Ind FLG X FLG	4800-OLBF	\$12,801.00
3-350ADAOYPI	3" 350 DCDA DI Body Gal Mtr OSY X Post Ind FLG X FLG	4800-OLBF	\$13,590.00
3-350ADARBFA	3" 350 DCDA DI Body W/spool Gal Mtr Bfly FLG X FLG	4800-OLBF	\$15,972.00
3-350AFG	3" 350 DC DI Body NRS Gates FLG X GRV	4800-OLBF	\$9,186.00
3-350AFSC	3" 350 DC DI Body NRS Gates FLG Strnr FLG X FLG	4800-OLBF	\$10,822.00
3-350ANRSBG	3" 350 DC DI Body NRS X Bfly GRV X GRV	4800-OLBF	\$14,340.00
3-350ARBF-A	3" 350 DC DI Body W/spool Bfly FLG X FLG	4800-OLBF	\$10,975.00
3-350ASTPIG	3" 350 DC SS Body Bfly X Post Ind GRV X GRV	4800-OLBF	\$13,284.00
3-350ASTDABPIG	3" 350 DCDA SS Body Gal Mtr Bfly X Post Ind GRV X GRV	4800-OLBF	\$15,173.00
3-350ASTDABPIGFB	3" 350 DCDA SS Body Gal Mtr Bfly X Post Ind GRV X FLG	4800-OLBF	\$15,518.00
3-350ASTDACFMFB	3" 350 DCDA SS Body CU Ft Mtr Bfly FLG X FLG	4800-OLBF	\$15,427.00
3-350ASTDACFMFBG	3" 350 DCDA SS Body CU Ft Mtr Bfly GRV X GRV	4800-OLBF	\$16,761.00
3-350ASTDACFMFBG	3" 350 DCDA SS Body CU Ft Mtr Bfly GRV X GRV	4800-OLBF	\$14,816.00
3-350ASTDACFMOSYPI	3" 350 DCDA SS Body CU Ft Mtr OSY X Post Ind FLG X FLG	4800-OLBF	\$13,590.00
3-350ASTDACMM	3" 350 DCDA SS Body CU Mtr Mtr OSY Gates FLG X FLG	4800-OLBF	\$15,067.00
3-350ASTDACMMBG	3" 350 DCDA SS Body CU Mtr Mtr Bfly GRV X GRV	4800-OLBF	\$16,419.00
3-350ASTDAG	3" 350 DCDA SS Body Gal Mtr OSY Gates GRV X GRV	4800-OLBF	\$13,590.00
3-350ASTDALMBF	3" 350 DCDA SS Body Less Mtr Bfly FLG X FLG	4800-OLBF	\$14,637.00
3-350ASTDALMNYCBG	3" 350 DCDA SS Body Less Mtr NYC Bfly GRV X GRV	4800-OLBF	\$14,022.00
3-350ASTDALMNYCFG	3" 350 DCDA SS BODY LESS MTR NYC FLG X GRV	4800-OLBF	\$12,983.00
3-350ASTDAR A	3" 350 DCDA SS Body W/spool Gal Mtr OSY Gates FLG X FLG	4800-OLBF	\$14,135.00
3-350ASTDARBFA	3" 350 DCDA SS Body W/spool Gal Mtr Bfly FLG X FLG	4800-OLBF	\$15,972.00
3-350ASTDARBGA	3" 350 DCDA SS Body W/spool Gal Mtr Bfly GRV X GRV	4800-OLBF	\$15,362.00
3-350ASTDARCFMFB-A	3" 350 DCDA SS Body W/spool CU Ft Mtr Bfly FLG X FLG	4800-OLBF	\$15,972.00
3-350ASTDARST A	3" 350 DCDA SS Body W/spool Gal Mtr OSY Gates SS Hardware FLG X FLG	4800-OLBF	\$12,824.00
3-350ASTDARV	3" 350 DCDA SS Body Gal Mtr OSY Gates FLG X FLG Rev. Bypass	4800-OLBF	\$14,105.00
3-350ASTF	3" 350 DC SS Body NRS Gates FLG X GRV	4800-OLBF	\$9,186.00
3-350ASTFSC	3" 350 DC SS Body NRS Gates FLG Strnr FLG X FLG	4800-OLBF	\$10,822.00
3-350ASTL	3" 350 DC SS Body Less Shutoff	4800-OLBF	\$3,440.00
3-350ASTNRSBFG	3" 350 DC SS Body NRS X Bfly FLG X GRV	4800-OLBF	\$14,430.00
3-350ASTOSYBF	3" 350 DC SS BODY OSY X BFLY FLG X FLG	4800-OLBF	\$14,892.00
3-350ASTOSYF	3" 350 DC SS Body OSY Gates GRV X GRV	4800-OLBF	\$10,049.00
3-350ASTOSYPI	3" 350 DC SS Body OSY X Post Ind FLG X FLG	4800-OLBF	\$10,049.00
3-350ASTPIBG	3" 350 DC SS Body Post Ind X Bfly GRV X GRV	4800-OLBF	\$17,225.00
3-350ASTRBF-A	3" 350 DC SS Body W/spool Bfly FLG X FLG	4800-OLBF	\$10,975.00
3-350ASTRFS-A	3" 350 DC SS Body W/spool Bfly NRS Gates FLG Strnr FLG X FLG	4800-OLBF	\$13,366.00
3-350ASTROSY-A	3" 350 DC SS Body W/spool OSY Gates FLG X FLG	4800-OLBF	\$10,597.00

3-350ASTROSYBF-A	3" 350 DC SS Body W/spool OSY X Bfly FLG X FLG	4800-0LBF	\$15,435.00
3-350ASTST	3" 350 DC SS Body NRS Gates SS Hardware FLG X FLG	4800-0LBF	\$14,891.00
3-350DACM	3" 350 DCDA DI Body CU Mtr Mtr OSY Gates FLG X FLG	4800-0LBF	\$14,594.00
3-350DALMNYCRV	3" 350 DCDA DI Body Less Mtr NYC OSY Gates FLG X FLG Rev Pilot	4800-0LBF	\$12,801.00
3-350LBSD-PN16	3" 350 DC LESS SHUTOFF TBL D w/ PN16 FLANGE (Coat)	4800-0LBF	\$5,556.00
3-350LGB	3" 350 DC DI Body Less ShutoffGB Flg & Thrds China	4800-0LBF	\$3,801.00
3-350POSY	3" 350 DC DI Body Post Ind X OSY FLG X FLG	4800-0LBF	\$10,049.00
3-350POSYG	3" 350 DC DI Body Post Ind X OSY GRV X GRV	4800-0LBF	\$10,049.00
34-350-BAA	3/4" 350 DC Ball Vlv NPT Top Access Non Potable, BAA Compliant	4800-OSBF	\$651.00
34-350FT-BAA	3/4" 350 DC Ball Vlv Fasttest TC NPT Top Access Non Potable, BAA Compliant	4800-OSBF	\$651.00
34-350SERIESSTAND	STAND FOR 34-350 SERIES VALVES	4800-0MWS	\$517.00
34-350XL-BAA	3/4" 350 DC Ball Vlv NPT Top Access Lead Free, BAA Compliant	4800-OSBF	\$921.00
34-350XLFT-BAA	3/4" 350 DC Ball Vlv Fasttest TC NPT Top Access Lead Free BAA Compliant	4800-OSBF	\$921.00
4-350AOSYGF	4" 350 DC DI Body Bfly X OSY GRV X FLG	4800-0LBF	\$16,067.00
4-350ABPIG	4" 350 DC DI Body Bfly X Post Ind GRV X FLG	4800-0LBF	\$16,176.00
4-350ADABOSYGF	4" 350 DCDA DI Body Gal Mtr Bfly X OSY GRV X FLG	4800-0LBF	\$19,832.00
4-350ADABPIG	4" 350 DCDA DI Body Gal Mtr Bfly X Post Ind GRV X GRV	4800-0LBF	\$19,832.00
4-350ADACFMPBIG	4" 350 DCDA DI Body CU Ft Mtr Post Ind X Bfly GRV X GRV	4800-0LBF	\$18,706.00
4-350ADACMM	4" 350 DCDA DI Body CU Mtr Mtr OSY Gates FLG X FLG	4800-0LBF	\$18,706.00
4-350ADACMMBG	4" 350 DCDA DI Body CU Mtr Mtr Bfly GRV X GRV	4800-0LBF	\$20,590.00
4-350ADALMBPIG	4" 350 DCDA DI Body Less Mtr Bfly X Post Ind GRV X GRV	4800-0LBF	\$19,034.00
4-350ADALMNYCBF	4" 350 DCDA DI Body Less Mtr NYC Bfly FLG X FLG	4800-0LBF	\$13,377.00
4-350ADALMOSYBFG	4" 350 DCDA DI Body Less Mtr OSY X Bfly FLG X GRV	4800-0LBF	\$19,477.00
4-350ADARBFA	4" 350 DCDA DI Body W/spool Gal Mtr Bfly FLG X FLG	4800-0LBF	\$16,812.00
4-350ADARBG-A	4" 350 DCDA DI Body W/spool Gal Mtr Bfly GRV X GRV	4800-0LBF	\$16,145.00
4-350ADASRCMMBG	4" 350 DCDA DI Body Sensus remote CU Mtr Mtr OSY Gates FLG X FLG	4800-0LBF	\$20,590.00
4-350ANRSBG	4" 350 DC DI Body NRS X Bfly GRV X GRV	4800-0LBF	\$15,565.00
4-350AOSYBG	4" 350 DC DI Body OSY X Bfly GRV X GRV	4800-0LBF	\$16,067.00
4-350AOSYGF	4" 350 DC DI Body OSY Gates GRV X FLG	4800-0LBF	\$11,829.00
4-350A-PN16BLUE	4" 350 DC DI Body Blue NRS Gates PN16 FLG X FLG	4800-0LBF	\$14,295.00
4-350ARBF-A	4" 350 DC DI Body W/spool Bfly FLG X FLG	4800-0LBF	\$15,399.00
4-350ARBG-A	4" 350 DC DI Body W/spool Bfly GRV X GRV	4800-0LBF	\$14,661.00
4-350ASTBPIG	4" 350 DC SS Body Bfly X Post Ind GRV X FLG	4800-0LBF	\$16,947.00
4-350ASTDABPIG	4" 350 DCDA SS Body Bfly X POST IND FLG X GRV	4800-0LBF	\$15,932.00
4-350ASTDABPIGF	4" 350 DCDA SS Body Gal Mtr Bfly X Post Ind GRV X FLG	4800-0LBF	\$19,832.00
4-350ASTDACMBF	4" 350 DCDA SS Body CU Ft Mtr Bfly FLG X FLG	4800-0LBF	\$16,268.00
4-350ASTDACMBFG	4" 350 DCDA SS Body CU Ft Mtr Bfly FLG X FLG	4800-0LBF	\$20,590.00
4-350ASTDACMBFRV	4" 350 DCDA SS Body CU Ft Mtr Bfly FLG X FLG By-Pass on right side	4800-0LBF	\$16,268.00
4-350ASTDACMBPIGF	4" 350 DCDA SS Body CU Ft Mtr Bfly X Post Ind GRV X FLG	4800-0LBF	\$19,832.00
4-350ASTDACMFG	4" 350 DCDA SS Body CU Ft Mtr OSY Gates FLG X GRV	4800-0LBF	\$14,168.00
4-350ASTDACFMG	4" 350 DCDA SS Body CU Ft Mtr OS&Y Gates GRV X GRV	4800-0LBF	\$14,168.00
4-350ASTDACFMOSYPIG	4" 350 DCDA SS Body CU Ft Mtr OSY X Post Ind GRV X GRV	4800-0LBF	\$14,270.00
4-350ASTDACFMPIBG	4" 350 DCDA SS Body CU Ft Mtr Post Ind X Bfly GRV X GRV	4800-0LBF	\$20,590.00
4-350ASTDACM	4" 350 DCDA SS Body CU Mtr Mtr OSY Gates FLG X FLG	4800-0LBF	\$18,706.00
4-350ASTDACMMBG	4" 350 DCDA SS Body CU Mtr Mtr Bfly GRV X GRV	4800-0LBF	\$20,590.00
4-350ASTDALMBG	4" 350 DCDA SS Body Less Mtr Bfly GRV X GRV	4800-0LBF	\$14,805.00
4-350ASTDALMFG	4" 350 DCDA SS Body Less Mtr OSY Gates FLG X GRV	4800-0LBF	\$13,375.00
4-350ASTDALMG	4" 350 DCDA SS Body Less Mtr OSY Gates GRV X GRV	4800-0LBF	\$13,375.00
4-350ASTDALMNYC	4" 350 DCDA SS Body Less Mtr NYC OSY Gates FLG X FLG	4800-0LBF	\$13,375.00
4-350ASTDALMNYCBG	4" 350 DCDA SS Body Less Mtr NYC Bfly GRV X GRV	4800-0LBF	\$14,805.00
4-350ASTDALMNYCG	4" 350 DCDA SS Body Less Mtr NYC OSY Gates GRV X GRV	4800-0LBF	\$12,320.00
4-350ASTDALMPIBFG	4" 350 DCDA SS BODY LESS MTR POST IND X BFLY FLG X GRV	4800-0LBF	\$19,039.00
4-350ASTDALMPIBG	4" 350 DCDA SS BODY LESS MTR POST IND X BFLY GRV X GRV	4800-0LBF	\$19,798.00
4-350ASTDAOSYPI	4" 350 DCDA SS Body Gal Mtr OSY X Post Ind FLG X FLG	4800-0LBF	\$14,168.00
4-350ASTDAOSYPIFG	4" 350 DCDA SS Body Gal Mtr OSY X Post Ind FLG X GRV	4800-0LBF	\$14,168.00
4-350ASTDAOSYPIG	4" 350 DCDA SS Body Gal Mtr OSY X Post Ind GRV X GRV	4800-0LBF	\$14,168.00
4-350ASTDAOSYPIRV	4" 350 DCDA SS Body Gal Mtr OSY X Post Ind FLG X FLG By-pass On Rvrs Side	4800-0LBF	\$14,168.00
4-350ASTDARBFA	4" 350 DCDA SS Body W/spool Gal Mtr Bfly FLG X FLG	4800-0LBF	\$16,812.00
4-350ASTDARBG-A	4" 350 DCDA SS Body W/spool Gal Mtr Bfly GRV X GRV	4800-0LBF	\$16,481.00
4-350ASTDARBFRV-A	4" 350 DCDA SS Body W/spool Gal Mtr Bfly FLG X FLG Rev. By-Pass	4800-0LBF	\$16,812.00
4-350ASTDARBGA	4" 350 DCDA SS Body W/spool Gal Mtr Bfly GRV X GRV	4800-0LBF	\$16,145.00
4-350ASTDARCFMBFA	4" 350 DCDA SS Body W/spool CU Ft Mtr Bfly FLG X FLG	4800-0LBF	\$16,812.00
4-350ASTDARCFMFG-A	4" 350 DCDA SS Body W/spool CU Ft Mtr OSY Gates FLG X GRV	4800-0LBF	\$14,712.00
4-350ASTDARCFMMA	4" 350 DCDA SS Body W/spool CU Mtr Mtr OSY Gates FLG X FLG	4800-0LBF	\$19,250.00
4-350ASTDARG-A	4" 350 DCDA SS Body W/spool Gal Mtr OSY Gates GRV X GRV	4800-0LBF	\$14,712.00
4-350ASTDARLM-A	4" 350 DCDA SS Body W/spool Less Mtr OSY Gates FLG X FLG	4800-0LBF	\$13,921.00
4-350ASTDARLMNYC-A	4" 350 DCDA SS Body W/spool Less Mtr NYC OSY Gates FLG X FLG	4800-0LBF	\$13,919.00
4-350ASTDARLMNYCBG-A	4" 350 DCDA SS Body W/spool Less Mtr NYC Bfly GRV X GRV	4800-0LBF	\$15,349.00
4-350ASTDARNRS-LV-A	4" 350 DCDA SS Body W/spool Gal Mtr NRS Gates FLG X FLG LAS VEGAS ONLY	4800-0LBF	\$14,712.00
4-350ASTDAROSYPI-A	4" 350 DCDA SS Body W/spool Gal Mtr OSY X Post Ind FLG X FLG	4800-0LBF	\$14,712.00
4-350ASTDARRV-A	4" 350 DCDA SS Body W/spool Gal Mtr OSY Gates FLG X FLG Rev. By-pass	4800-0LBF	\$14,712.00
4-350ASTDARV	4" 350 DCDA SS Body Gal Mtr OSY Gates FLG X FLG Rev. Bypass	4800-0LBF	\$14,168.00
4-350ASTDARVBF	4" 350 DCDA SS Body Gal Mtr Rvrs DA Side Bfly FLG X FLG	4800-0LBF	\$16,268.00
4-350ASTDARVBG	4" 350 DCDA SS Body Gal Mtr Rvrs DA Side Bfly GRV X GRV	4800-0LBF	\$15,601.00
4-350ASTDARVFG	4" 350 DCDA SS Body Gal Mtr OSY Gates FLG X GRV Rev. Bypass	4800-0LBF	\$14,168.00
4-350ASTFSC	4" 350 DC SS Body NRS Gates FLG Strmr FLG X FLG	4800-0LBF	\$14,650.00
4-350ASTIG	4" 350 DC SS Body NRS Gates GRV X GRV	4800-0LBF	\$11,985.00
4-350ASTIGF	4" 350 DC SS Body NRS Gates GRV X FLG	4800-0LBF	\$11,985.00
4-350ASTL	4" 350 DC SS Body Less Shutoff	4800-0LBF	\$4,384.00

4-350ASTLBS-RPCK	4" 350 DC SS Body Less Shutoff GRV X GRV BS grooves #1 RP chk	4800-0LBF	\$10,793.00
4-350ASTNRSBG	4" 350 DC SS BODY NRS X BFLY GRV X GRV	4800-0LBF	\$15,303.00
4-350ASTOSYBG	4" 350 DC SS Body OSY X Bfly GRV X GRV	4800-0LBF	\$16,067.00
4-350ASTOSYSG	4" 350 DC SS Body OSY Gates GRV X GRV	4800-0LBF	\$11,829.00
4-350ASTOSYGF	4" 350 DC SS Body OSY Gates GRV X FLG	4800-0LBF	\$11,829.00
4-350ASTOSYNRS	4" 350 DC SS Body OSY X NRS FLG X FLG	4800-0LBF	\$15,294.00
4-350ASTOSYPI	4" 350 DC SS Body OSY X Post Ind FLG X FLG	4800-0LBF	\$11,829.00
4-350ASTPIBFG	4" 350 DC SS Body Post Ind X Bfly FLG X GRV	4800-0LBF	\$14,364.00
4-350ASTPIBG	4" 350 DC SS Body Post Ind X Bfly GRV X GRV	4800-0LBF	\$14,364.00
4-350ASTPIOSY	4" 350 DC SS Body Post Ind X OSY FLG X FLG	4800-0LBF	\$11,829.00
4-350ASTPIOSYFG	4" 350 DC SS Body Post Ind X OSY FLG X GRV	4800-0LBF	\$11,829.00
4-350ASTRBF-A	4" 350 DC SS Body W/spool Bfly FLG X FLG	4800-0LBF	\$15,399.00
4-350ASTRBF A	4" 350 DC SS BODY W/SPPOOL BFLY FLG X GRV	4800-0LBF	\$15,031.00
4-350ASTRBG A	4" 350 DC SS BODY W/SPPOOL B & BFLY GRV X GRV	4800-0LBF	\$14,661.00
4-350ASTOSYFG-A	4" 350 DC SS Body W/spool OSY Gates FLG X GRV	4800-0LBF	\$12,373.00
4-350ASTOSYGA	4" 350 DC SS Body W/spool OSY Gates GRV X GRV	4800-0LBF	\$12,373.00
4-350ASTOSYPI-A	4" 350 DC SS Body W/spool OSY X Post Ind FLG X FLG	4800-0LBF	\$12,373.00
4-350ASTROSYST A	4" 350 DC SS Body W/spool OSY Gates SS Hardware FLG X FLG	4800-0LBF	\$16,977.00
4-350ASTRV	4" 350 DC SS Body Rev TC Side NRS Gates FLG X FLG	4800-0LBF	\$11,987.00
4-350ASTST	4" 350 DC SS Body NRS Gates SS Hardware FLG X FLG	4800-0LBF	\$15,434.00
4-350BG	4" 350 DC DI Body Bfly GRV X GRV	4800-0LBF	\$14,164.00
4-350DAHI	4" 350 DCDA DI Body Gal Mtr OSY Gates FLG X FLG Hawaii w/RP#1 check Aus	4800-0LBF	\$17,642.00
4-350DALBSD-RPCK	4" 350 DCDA DI Body Gal Mtr Less Shutoff TBL D FLG X FLG w/RP#1 check Aus	4800-0LBF	\$7,856.00
4-350DALMBG	4" 350 DCDA DI Body Less Mtr Bfly GRV X GRV	4800-0LBF	\$13,377.00
4-350LBSD-OS	4" 350 DC DI BODY LESS SHUTOFF TBL D FLG X FLG OLD STYLE SHORT BODY	4800-0LBF	\$6,036.00
4-350LBSD-PN16	4" 350 DC DI Body Less Shutoff TBL D w/ PN16 FLANGE (Coat)	4800-0LBF	\$6,395.00
4-350LBSD-RPCK	4" 350 DC DI Body Less Shutoff TBL D w/ PN16 FLANGE (Coat) w/RP#1 Check Aus	4800-0LBF	\$5,904.00
4-350LBS-OS	4" 350 DC DI BODY LESS SHUTOFF TBL E FLG X FLG OLD STYLE SHORT BODY	4800-0LBF	\$7,150.00
4-350LBS-RPCK-OS	4" 350 DC DI BODY LESS SHUTOFF TBL E FLG X FLG w/RP#1 Check Aus OLD STYLE SHORT	4800-0LBF	\$5,628.00
4-350LGB	4" 350 DC DI Body Less ShutoffGB Flg & Thrds China	4800-0LBF	\$7,150.00
4-350PINRS	4" 350DC DI Body Post Ind X NRS FLG X FLG	4800-0LBF	\$15,539.00
6-350ABGVIC	Depleting, 6" 350 G&G BODY/VIC BFLY LEAD FREE	4800-0LBF	\$19,110.00
6-350ABOSY	6" 350 DC DI Body Bfly X OSY FLG X FLG	4800-0LBF	\$24,347.00
6-350ABOSYGF	6" 350 DC DI Body Bfly X OSY GRV X FLG	4800-0LBF	\$24,347.00
6-350ADABPIGF	6" 350 DCDA DI Body Gal Mtr Bfly X Post Ind GRV X FLG	4800-0LBF	\$29,187.00
6-350ADACMBF	6" 350 DCDA CU FT MTR BFLY FLG X FLG	4800-0LBF	\$23,891.00
6-350ADACFMPBIG	6" 350 DCDA DI Body CU Ft Mtr Post Ind X Bfly FLG X GRV	4800-0LBF	\$28,623.00
6-350ADACFMPBG	6" 350 DCDA DI Body CU Ft Mtr Post Ind X Bfly GRV X GRV	4800-0LBF	\$28,623.00
6-350ADACMM	6" 350 DCDA DI Body CU Mtr Mtr OSY Gates FLG X FLG	4800-0LBF	\$26,997.00
6-350ADACMMBG	6" 350 DCDA DI Body CU Mtr Mtr Bfly GRV X GRV	4800-0LBF	\$29,724.00
6-350ADALMNYCG	6" 350 DCDA DI Body Less Mtr NYC OSY Gates GRV X GRV	4800-0LBF	\$24,960.00
6-350ADALMNYCGF	6" 350 DCDA LESS MTR NYC GRV X FLG	4800-0LBF	\$26,210.00
6-350ADALMRV	6" 350 DCDA DI Body Less Mtr Rvrs DA Side OSY Gates FLG X FLG	4800-0LBF	\$20,116.00
6-350ADAPIBG	6" 350 DCDA DI Body Gal Mtr Post Ind X Bfly GRV X GRV	4800-0LBF	\$28,623.00
6-350ADAIOSYFG	6" 350 DCDA DI Body Gal Mtr Post Ind X OSY FLG X GRV	4800-0LBF	\$20,905.00
6-350ADARBFA	6" 350 DCDA DI Body W/spool Gal Mtr Bfly FLG X FLG	4800-0LBF	\$24,436.00
6-350ADAR-D	6" 350 DCDA DI Body W/spool Gal Mtr OSY Gates FLG X FLG	4800-0LBF	\$32,913.00
6-350A-PN16BLUE	6" 350 DC DI Body Blue NRS Gates PN16 FLG X FLG	4800-0LBF	\$21,093.00
6-350ARBF-A	6" 350 DC DI Body W/spool Bfly FLG X FLG	4800-0LBF	\$22,377.00
6-350ASTBMRSG	6" 350 DC SS Body Bfly X NRS GRV X GRV	4800-0LBF	\$22,710.00
6-350ASTBPIG	6" 350 DC SS Body Bfly X Post Ind GRV X GRV	4800-0LBF	\$24,347.00
6-350ASTBPIGF	6" 350 DC SS Body Bfly X Post Ind GRV X FLG	4800-0LBF	\$24,910.00
6-350ASTDABFG	6" 350 DCDA SS Body Gal Mtr Bfly FLG X GRV	4800-0LBF	\$23,455.00
6-350ASTDABGF	6" 350 DCDA SS Body Gal Mtr Bfly GRV X FLG	4800-0LBF	\$30,851.00
6-350ASTDABGRV	6" 350 DCDA SS Body Gal Mtr Bfly GRV X GRV By-pass on right side	4800-0LBF	\$23,020.00
6-350ASTDABPIG	6" 350 DCDA SS Body Gal Mtr Bfly X Post Ind GRV X GRV	4800-0LBF	\$22,398.00
6-350ASTDACMBF	6" 350 DCDA SS Body CU Ft Mtr Bfly FLG X FLG	4800-0LBF	\$23,891.00
6-350ASTDACMBGRV	6" 350 DCDA SS Body CU Ft Mtr Rvrs DA Side Bfly GRV X GRV	4800-0LBF	\$23,020.00
6-350ASTDACFMPBIG	6" 350 DCDA SS Body CU Ft Mtr Bfly X Post Ind GRV X GRV	4800-0LBF	\$28,623.00
6-350ASTDACFPMFG	6" 350 DCDA SS Body CU Ft Mtr OSY Gates FLG X GRV	4800-0LBF	\$20,905.00
6-350ASTDACFMG	6" 350 DCDA SS Body CU Ft Mtr OSY Gates GRV X GRV	4800-0LBF	\$20,905.00
6-350ASTDACFMOSYPI	6" 350 DCDA SS BODY CU FT MTR OSY X POST IND FLG X FLG	4800-0LBF	\$20,905.00
6-350ASTDACFMPPI	6" 350 DCDA SS BODY CU FT MTR POST INDCTR FLG X FLG	4800-0LBF	\$20,905.00
6-350ASTDACFMPPIG	6" 350 DCDA SS Body CU Ft Mtr Post IndCTR GRV X GRV	4800-0LBF	\$20,905.00
6-350ASTDACFMOSY	6" 350 DCDA SS Body CU Ft Mtr Post Ind X OSY FLG X FLG	4800-0LBF	\$20,905.00
6-350ASTDACFMRV	6" 350 DCDA SS Body CU Ft Mtr Rvrs DA Side OSY Gates FLG X FLG	4800-0LBF	\$20,905.00
6-350ASTDACCMM	6" 350 DCDA SS Body CU Mtr Mtr OSY Gates FLG X FLG	4800-0LBF	\$26,997.00
6-350ASTDACCMMBG	6" 350 DCDA SS Body CU Mtr Mtr Bfly GRV X GRV	4800-0LBF	\$29,724.00
6-350ASTDACCMMG	6" 350 DCDA SS Body CU Mtr Mtr OSY Gates GRV X GRV	4800-0LBF	\$20,905.00
6-350ASTDAFGRV	6" 350 DCDA SS Body Gal Mtr OSY Gates FLG X GRV Rev. Bypass	4800-0LBF	\$20,905.00
6-350ASTDAGRV	6" 350 DCDA SS Body Gal Mtr Rvrs DA Side OSY Gates GRV X GRV	4800-0LBF	\$20,905.00
6-350ASTDALLBP	6" 350 DCDA SS Body Less Shutoff FLG X FLG less bypass not testable	4800-0LBF	\$13,632.00
6-350ASTDALMBF	6" 350 DCDA SS Body Less Mtr Bfly FLG X FLG	4800-0LBF	\$23,103.00
6-350ASTDALMBG	6" 350 DCDA SS Body Less Mtr Bfly GRV X GRV	4800-0LBF	\$22,228.00
6-350ASTDALMG	6" 350 DCDA SS Body Less Mtr OSY Gates GRV X GRV	4800-0LBF	\$20,115.00
6-350ASTDALMFG	6" 350 DCDA SS Body Less Mtr OSY Gates GRV X FLG	4800-0LBF	\$20,115.00
6-350ASTDALMNYCBG	6" 350 DCDA SS Body Less Mtr NYC Bfly GRV X GRV	4800-0LBF	\$22,228.00
6-350ASTDALMNYCGF	6" 350 DCDA SS Body Less Mtr NYC OSY Gates FLG X GRV	4800-0LBF	\$26,213.00
6-350ASTDALMRV	6" 350 DCDA SS Body Less Mtr Rvrs DA Side OSY Gates FLG X FLG	4800-0LBF	\$20,116.00
6-350ASTDALMRVBG	6" 350 DCDA SS Body Less Mtr Rvrs DA Side Butterfly Vlv G&G	4800-0LBF	\$22,228.00
6-350ASTDALMRVFG	6" 350 DCDA SS Body Less Mtr Rvrs DA Side OSY Gates FLG X FLG	4800-0LBF	\$20,115.00

6-350ASTDAOSYBFG	6" 350 DCDA SS Body Gal Mtr OSY X Bfly FLG X GRV	4800-OLBF	\$23,455.00
6-350ASTDAOSYPIFG	6" 350 DCDA SS Body Gal Mtr OSY X Post Ind FLG X GRV	4800-OLBF	\$20,905.00
6-350ASTDAOSYPIRV	6" 350 DCDA SS Body Gal Mtr RVrs DA Side OSY X Post Ind FLG X FLG	4800-OLBF	\$20,905.00
6-350ASTDAPIBG	6" 350 DCDA SS Body Gal Mtr Post Ind X Bfly GRV X GRV	4800-OLBF	\$29,724.00
6-350ASTDAPIOSYRV	6" 350 DCDA SS Body Gal Mtr RVrs DA Side Post Ind X OSY FLG X FLG	4800-OLBF	\$20,905.00
6-350ASTDARBFA	6" 350 DCDA SS Body W/spool Gal Mtr Bfly FLG X FLG	4800-OLBF	\$24,436.00
6-350ASTDARBFGA	6" 350 DCDA SS Body W/spool Gal Mtr Bfly FLG X GRV	4800-OLBF	\$24,000.00
6-350ASTDARCFMBGA	6" 350 DCDA SS Body W/spool CU Ft Mtr Bfly GRV X GRV	4800-OLBF	\$23,564.00
6-350ASTDARFGA	6" 350 DCDA SS Body W/spool Gal Mtr OSY Gates FLG X GRV	4800-OLBF	\$21,450.00
6-350ASTDARLMA	6" 350 DCDA Body W/spool Less Meter OSY Gates FLG X FLG	4800-OLBF	\$20,660.00
6-350ASTDARPIOSYA	6" 350 DCDA SS Body W/spool Gal Mtr Post Ind X OSY FLG X FLG	4800-OLBF	\$21,450.00
6-350ASTDARRVA	6" 350 DCDA SS Body W/spool Gal Mtr OSY Gates FLG X FLG Rev. Bypass	4800-OLBF	\$21,450.00
6-350ASTDARV	6" 350 DCDA SS Body Gal Mtr OSY Gates FLG X FLG Rev. Bypass	4800-OLBF	\$20,905.00
6-350ASTFG	6" 350 DC SS Body NRS Gates FLG X GRV	4800-OLBF	\$17,288.00
6-350ASTFCSYG	6" 350 DC SS Body Flg Strnr Epoxy Coat OSY Gates FLG X FLG	4800-OLBF	\$22,232.00
6-350ASTG	6" 350 DC SS Body NRS Gates GRV X GRV	4800-OLBF	\$17,288.00
6-350ASTGF	6" 350 DC SS Body NRS Gates GRV X FLG	4800-OLBF	\$17,288.00
6-350ASTLBS	6" 350 DC SS Body Less Shutoff BS Grv X Grv BS grooves	4800-OLBF	\$11,589.00
6-350ASTLBS-RPCK	6" 350 DC SS Body Less Shutoff GRV X GRV BS grooves #1 RP chk	4800-OLBF	\$11,777.00
6-350ASTNRSOSY	6" 350 DC SS BODY NRS X OSY	4800-OLBF	\$21,865.00
6-350ASTNRSOSYFG	6" 350 DC SS BODY NRS X OSY GATES FLG X GRV	4800-OLBF	\$24,215.00
6-350ASTOSYBG	6" 350 DC SS Body OSY X Bfly GRV X GRV	4800-OLBF	\$24,347.00
6-350ASTOSYGF	6" 350 DC SS Body OSY Gates GRV X FLG	4800-OLBF	\$17,951.00
6-350ASTOSYPI	6" 350 DC SS Body OSY X Post Ind FLG X FLG	4800-OLBF	\$17,951.00
6-350ASTOSYPIG	6" 350 DC SS Body OSY X Post Ind GRV X GRV	4800-OLBF	\$17,951.00
6-350ASTPIBG	6" 350 DC SS Body Post Ind X Bfly GRV X GRV	4800-OLBF	\$24,347.00
6-350ASTPIOSY	6" 350 DC SS Body Post Ind X OSY FLG X FLG	4800-OLBF	\$17,951.00
6-350ASTPIOSYFG	6" 350 DC SS Body Post Ind X OSY FLG X GRV	4800-OLBF	\$17,951.00
6-350ASTPIOSYGF	6" 350 DC SS Body Post Ind X OSY GRV X GRV	4800-OLBF	\$17,951.00
6-350ASTRA	6" 350 DC SS Body W/spool NRS Gates FLG X FLG	4800-OLBF	\$17,832.00
6-350ASTRBA	6" 350 DC SS Body W/spool Bfly FLG X FLG	4800-OLBF	\$22,377.00
6-350ASTRBFVA	6" 350 DC SS Body W/spool Bfly FLG X FLG Reverse Side	4800-OLBF	\$22,377.00
6-350ASTRBGA	6" 350 DC SS Body W/spool Bfly GRV X GRV	4800-OLBF	\$21,455.00
6-350ASTRBGRVA	6" 350 DC SS Body W/spool Bfly GRV X GRV Reverse Side	4800-OLBF	\$21,455.00
6-350ASTRSYFGA	6" 350 DC SS Body W/spool OSY Gates FLG X GRV	4800-OLBF	\$18,495.00
6-350ASTRSYGA	6" 350 DC SS Body W/spool OSY Gates GRV X GRV	4800-OLBF	\$18,495.00
6-350ASTRSYFGA	6" 350 DC SS Body W/spool OSY Gates GRV X FLG	4800-OLBF	\$18,495.00
6-350ASTRSYPIA	6" 350 DC SS Body W/spool OSY X Post Ind FLG X FLG	4800-OLBF	\$18,495.00
6-350ASTRSYPIA	6" 350 DC SS Body W/spool Post Ind X OSY FLG X FLG	4800-OLBF	\$18,495.00
6-350ASTST	6" 350 DC SS Body NRS Gates SS Hardware FLG X FLG	4800-OLBF	\$22,233.00
6-350DABG	6" 350 DCDA DI Body Gal Mtr Bfly GRV X GRV	4800-OLBF	\$23,019.00
6-350DACMM	6" 350 DCDA DI Body CU Mtr Mtr OSY Gates FLG X FLG	4800-OLBF	\$20,905.00
6-350DAHI	6" 350 DCDA DI Body Gal Mtr OSY Gates FLG X FLG Hawaii	4800-OLBF	\$26,997.00
6-350DALMBG	6" 350 DCDA DI Body Less Mtr Bfly GRV X GRV	4800-OLBF	\$22,293.00
6-350DALMNYCBG	6" 350 DCDA DI Body Less Mtr NYC Bfly Grv X Grv	4800-OLBF	\$22,293.00
6-350DALMNYCPI	6" 350 DCDA DI Body Less Mtr NYC OSY X NRS Gate Post. Ind. FLG X FLG	4800-OLBF	\$20,116.00
6-350DAPN16	6" 350 DCDA DI Body Gal Mtr OSY Gates PN16 FLG X FLG	4800-OLBF	\$26,997.00
6-350LBSD-RPCK	6" 350 DC DI Body Less Shutoff TBL D FLANGE (Coat) w/ RPH1 Check Aus	4800-OLBF	\$11,835.00
6-350LGB	6" 350 DC DI Body Less ShutoffGB Flg & Thrds China	4800-OLBF	\$15,181.00
6-350LST-316	6" 350 DC DI Body Less Shutoff 316SS Hardware FLG X FLG	4800-OLBF	\$20,691.00
6-350OSYRH	6" 350 DC DI Body OSY Gates Rht Hand GV FLG X FLG	4800-OLBF	\$23,177.00
8-350ABPIG	8" 350 DC DI Body Bfly X Post Ind GRV X GRV	4800-OLBF	\$43,251.00
8-350ADABOSYGF	8" 350 DCDA DI Body Gal Mtr Bfly X OSY GRV X FLG	4800-OLBF	\$49,780.00
8-350ADABPIGF	8" 350 DCDA DI Body Gal Mtr Bfly X Post Ind GRV X FLG	4800-OLBF	\$49,780.00
8-350ADACFMBG	8" 350 DCDA DI Body CU Ft Mtr Bfly GRV X GRV	4800-OLBF	\$40,501.00
8-350ADACMM	8" 350 DCDA DI Body CU Mtr Mtr OSY Gates FLG X FLG	4800-OLBF	\$46,308.00
8-350ADACMMBG	8" 350 DCDA DI Body CU Mtr Mtr Bfly GRV X GRV	4800-OLBF	\$50,985.00
8-350ADACMMG	8" 350 DCDA DI Body Gal Mtr CU Mtr Mtr OSY Gates GRV X GRV	4800-OLBF	\$36,784.00
8-350ADALLM	8" 350 DCDA DI Body Less Mtr Less Shutoff FLG X FLG	4800-OLBF	\$25,458.00
8-350ADALLMNYCBG	8" 350 DCDA DI Body Less Mtr NYC Bfly GRV X GRV	4800-OLBF	\$50,190.00
8-350ADALLMPIBG	8" 350 DCDA DI Body Less Mtr Post Ind X Bfly GRV X GRV	4800-OLBF	\$48,985.00
8-350ADALLMPIBG	8" 350 DCDA DI Body Less Mtr Post Ind X Bfly GRV X GRV	4800-OLBF	\$48,312.00
8-350ADAL-RPCK	8" 350 DCDA DI Body Gal Mtr Less Shutoff Grv X Grv w/ RPH1 check Aus	4800-OLBF	\$25,597.00
8-350ADAOSYBG	8" 350 DCDA DI Body Gal Mtr OSY X Bfly GRV X GRV	4800-OLBF	\$49,096.00
8-350ADAPIBG	8" 350 DCDA DI Body Gal Mtr Post Ind X Bfly GRV X GRV	4800-OLBF	\$49,096.00
8-350ADARBGA	8" 350 DCDA DI Body W/spool Gal Mtr Bfly GRV X GRV	4800-OLBF	\$41,181.00
8-350ADARV	8" 350 DCDA DI Body Gal Mtr RVrs DA OSY Gates FLG X FLG	4800-OLBF	\$36,784.00
8-350AANSOSYFG	8" 350 DC NRS X OSY FLG X GRV	4800-OLBF	\$34,596.00
8-350AANSOSYFG	8" 350 DC OSY X NRS FLG X GRV	4800-OLBF	\$41,172.00
8-350AOSYST	8" 350 DC OSY GATES SS HARDWARE	4800-OLBF	\$41,172.00
8-350APIOYFG	8" 350 DC DI Body Post Ind X OSY FLG X GRV	4800-OLBF	\$33,922.00
8-350ARBGA	8" 350 DC DI Body W/spool Bfly GRV X GRV	4800-OLBF	\$40,799.00
8-350AROSYPIA	8" 350 DC DI Body W/spool OSY X Post Ind FLG X FLG	4800-OLBF	\$35,278.00
8-350ASTBPIG	8" 350 DC SS BODY BFLY X POST IND GRV X GRV	4800-OLBF	\$45,332.00
8-350ASTBPIGF	8" 350 DC SS BODY BFLY X POST IND GRV X FLG	4800-OLBF	\$45,332.00
8-350ASTDACFMBFG	8" 350 DCDA SS Body CU Ft Mtr Bfly FLG X GRV	4800-OLBF	\$41,439.00
8-350ASTDACFMBG	8" 350 DCDA SS Body CU Ft Mtr Bfly GRV X GRV	4800-OLBF	\$40,501.00
8-350ASTDACFMBGRV	8" 350 DCDA SS Body CU Ft Mtr Bfly GRV X GRV By-Pass on right side	4800-OLBF	\$37,584.00
8-350ASTDACFMBPIG	8" 350 DCDA SS Body CU Ft Mtr Bfly X Post Ind GRV X GRV	4800-OLBF	\$37,293.00
8-350ASTDACFMOYBG	8" 350 DCDA SS Body CU Ft MTR OSY X POST IND FLG X FLG	4800-OLBF	\$36,784.00
8-350ASTDACFMPIBG	8" 350 DCDA SS Body CU Ft Mtr Post Ind X Bfly GRV X GRV	4800-OLBF	\$37,293.00
8-350ASTDACFPIOSY	8" 350 DCDA SS Body Gal CU Ft Mtr Post Ind X OSY FLG X FLG	4800-OLBF	\$36,784.00
8-350ASTDACFMRV	8" 350 DCDA SS Body CU Ft Mtr RVrs DA Side OSY Gates FLG X FLG	4800-OLBF	\$36,880.00
8-350ASTDACFMRVFG	8" 350 DCDA SS Body CU Ft Mtr RVrs DA Side OSY Gates FLG X GRV	4800-OLBF	\$36,784.00

8-350ASTDACFMRVFG	8" 350 DCDA SS Body CU Ft Mtr RVrs DA Side OSY Gates GRV X GRV	4800-OLBF	\$36,784.00
8-350ASTDACMM	8" 350 DCDA SS Body CU Mtr Mtr OSY Gates FLG X FLG	4800-OLBF	\$46,308.00
8-350ASTDACMMBG	8" 350 DCDA SS Body CU Mtr Mtr Bfly GRV X GRV	4800-OLBF	\$50,985.00
8-350ASTDACMMG	8" 350 DCDA SS Body CU Mtr Mtr OSY Gates GRV X GRV	4800-OLBF	\$43,688.00
8-350ASTDAG	8" 350 DCDA SS Body Gal Mtr OSY Gates GRV X GRV	4800-OLBF	\$36,784.00
8-350ASTDALMBFG	8" 350 DCDA SS Body Less Mtr Bfly FLG X GRV	4800-OLBF	\$32,134.00
8-350ASTDALMBG	8" 350 DCDA SS Body Less Mtr Bfly GRV X GRV	4800-OLBF	\$39,711.00
8-350ASTDALMFG	8" 350 DCDA SS Body Less Mtr OSY Gates FLG X GRV	4800-OLBF	\$35,997.00
8-350ASTDALMNG	8" 350 DCDA SS Body Less Mtr OSY Gates GRV X GRV	4800-OLBF	\$35,997.00
8-350ASTDALMNYC	8" 350 DCDA SS Body Less Mtr NYC OSY Gates FLG X FLG	4800-OLBF	\$35,997.00
8-350ASTDALMNYC	8" 350 DCDA SS Body Less Mtr NYC Bfly FLG X GRV with Bypass	4800-OLBF	\$40,614.00
8-350ASTDALMNYCBG	8" 350 DCDA SS Body Less Mtr NYC Bfly GRV X GRV	4800-OLBF	\$39,711.00
8-350ASTDALMNYCGRV	8" 350 DCDA SS Body Less Mtr NYC OSY Gates GRV X GRV	4800-OLBF	\$45,523.00
8-350ASTDALMRV	8" 350 DCDA SS Body Less Mtr RVrs DA Side OSY Gates FLG X FLG	4800-OLBF	\$35,998.00
8-350ASTDALMRVFG	8" 350 DCDA SS BODY Less Mtr RVrs DA Side OSY Gates FLG X GRV	4800-OLBF	\$35,997.00
8-350ASTDANRS-LV	8" 350 DCDA SS Body Gal Mtr NRS Gates FLG X FLG LAS VEGAS ONLY	4800-OLBF	\$35,229.00
8-350ASTDAOYBFG	8" 350 DCDA SS Body Gal Mtr OSY X Bfly FLG X FLG	4800-OLBF	\$49,096.00
8-350ASTDAOYBFG	8" 350 DCDA SS Body Gal Mtr OSY X Bfly GRV X GRV	4800-OLBF	\$40,501.00
8-350ASTDAOYPIFG	8" 350 DCDA SS Body Gal Mtr OSY X Post Ind FLG X GRV	4800-OLBF	\$36,784.00
8-350ASTDAPIBG	8" 350 DCDA SS BODY BFLY X POST IND GRV X GRV	4800-OLBF	\$37,293.00
8-350ASTDAPIOSYRV	8" 350 DCDA SS Body Gal Mtr RVrs DA Post Ind X OSY Flng X Flng	4800-OLBF	\$36,784.00
8-350ASTDARBFA	8" 350 DCDA SS Body W/spool Gal Mtr Bfly FLG X FLG	4800-OLBF	\$42,122.00
8-350ASTDARBFRVA	8" 350 DCDA SS Body W/spool Gal Mtr Bfly FLG X FLG Rev. By-Pass	4800-OLBF	\$42,122.00
8-350ASTDARBGA	8" 350 DCDA SS Body W/spool Gal Mtr Bfly GRV X GRV	4800-OLBF	\$41,181.00
8-350ASTDARLMA	8" 350 DCDA SS Body W/spool Less Mtr OSY Gates FLG X FLG	4800-OLBF	\$36,678.00
8-350ASTDARPIA	8" 350 DCDA SS Body W/spool Gal Mtr Post Ind FLG X FLG	4800-OLBF	\$37,464.00
8-350ASTDARPIBFA	8" 350 DCDA SS Body W/spool Gal Mtr Post Ind X Bfly FLG X FLG	4800-OLBF	\$39,347.00
8-350ASTDARPIOSYA	8" 350 DCDA SS Body W/spool Gal Mtr POST IND X OSY FLG X FLG	4800-OLBF	\$37,464.00
8-350ASTDARV	8" 350 DCDA SS Body Gal Mtr RVrs DA Side OSY Gates FLG X FLG	4800-OLBF	\$36,784.00
8-350ASTDARBVG	8" 350 DCDA SS Body Gal Mtr RVrs DA Side Bfly GRV X GRV	4800-OLBF	\$40,501.00
8-350ASTDARVFG	8" 350 DCDA SS Body Gal Mtr RVrs DA Side OSY Gates FLG X GRV	4800-OLBF	\$36,784.00
8-350ASTG	8" 350 DC SS Body NRS Gates GRV X GRV	4800-OLBF	\$33,922.00
8-350ASTL	8" 350 DC SS Body Less Shutoff	4800-OLBF	\$19,563.00
8-350ASTNRSBFG	8" 350 DC SS Body NRS FLG X Butterfly GRV	4800-OLBF	\$45,332.00
8-350ASTNRSBG	8" 350 DC SS BODY NRS X BFLY GRV X GRV	4800-OLBF	\$45,332.00
8-350ASTOSYPI	8" 350 DC SS Body OSY X Post Ind FLG X FLG	4800-OLBF	\$34,598.00
8-350ASTOSYPIFG	8" 350 DC SS Body OSY X Post Ind FLG X GRV	4800-OLBF	\$34,598.00
8-350ASTOSYPIG	8" 350 DC SS Body OSY X Post Ind GRV X GRV	4800-OLBF	\$34,598.00
8-350ASTOSYPIGF	8" 350 DC SS Body OSY X Post Ind GRV X FLG	4800-OLBF	\$34,598.00
8-350ASTPIBG	8" 350 DC SS Body Post Ind X Bfly GRV X GRV	4800-OLBF	\$43,251.00
8-350ASTPIOSY	8" 350 DC SS Body Post Ind X OSY FLG X FLG	4800-OLBF	\$34,596.00
8-350ASTPIOSY	8" 350 DC SS Body Post Ind X OSY GRV X GRV	4800-OLBF	\$34,596.00
8-350ASTRA	8" 350 DC SS Body W/spool NRS Gates FLG X FLG	4800-OLBF	\$34,602.00
8-350ASTRBA	8" 350 DC SS Body W/spool Bfly FLG X FLG	4800-OLBF	\$41,841.00
8-350ASTRBA	8" 350 DC SS Body W/spool Bfly GRV X GRV	4800-OLBF	\$40,799.00
8-350ASTNRSBFGA	8" 350 DC SS Body W/spool NRS Gate FLG X Butterfly Valve GRV	4800-OLBF	\$36,784.00
8-350ASTST	8" 350 DC SS Body NRS Gates SS Hardware FLG X FLG	4800-OLBF	\$39,471.00
8-350ASTSTOSY	8" 350 DC SS Body OSY Gates Flng X Flng w/ SS Hardware	4800-OLBF	\$34,598.00
8-350ASTSTOSYA	8" 350 DC SS Body W/spool SS Hardware OSY Gates Flng X Flng	4800-OLBF	\$40,013.00
8-350DABG	8" 350 DCDA DI Body Gal Mtr Bfly GRV X GRV	4800-OLBF	\$40,501.00
8-350DAHI	8" 350 DCDA DI Body Gal Mtr OSY Gates FLG X FLG Hawaii	4800-OLBF	\$46,308.00
8-350DARV	8" 350 DCDA DI Body Gal Mtr RVrs DA Side OSY Gates FLG X FLG	4800-OLBF	\$36,784.00
8-350LGB	8" 350 DC DI Body Less ShutoffGB Flg & Thrds China	4800-OLBF	\$28,689.00
8-350ASTDA-BPLM	REPAIR KIT, BY-PASS ASSY 10" 350ASTDA LESS METER	4800-PART	\$1,987.00
8-350ASTDARV-BPLM	REPAIR KIT, BY-PASS ASSY 10" 350ASTDA LESS METER REV BYPASS	4800-PART	\$1,908.00
100-375SPE	4" (100mm) 375 RP SS Coated Body Less Shutoff Table E FLG X FLG	4800-OLBF	\$12,543.00
10-375ABPIG	10" 375 RP DI Body Bfly X Post Ind GRV X GRV	4800-OLBF	\$71,587.00
10-375ADACFMBG	10" 375 RPDA DI Body Gal Mtr CU Ft Mtr Bfly GRV X GRV	4800-OLBF	\$69,690.00
10-375ADACMM	10" 375 RPDA DI Body CU Mtr Mtr OSY Gates FLG X FLG	4800-OLBF	\$69,266.00
10-375ADACMMBG	10" 375 RPDA DI Body CU Mtr Mtr Bfly GRV X GRV	4800-OLBF	\$79,021.00
10-375ADALLM	10" 375 RPDA DI Body Less Mtr Less Shutoff FLG X FLG	4800-OLBF	\$49,569.00
10-375AFCS	10" 375 RP DI Body NRS Gates FLG Strnr FLG X FLG	4800-OLBF	\$77,282.00
10-375AG	10" 375 RP DI Body NRS Gates GRV X GRV	4800-OLBF	\$62,552.00
10-375-AG	10" 375 RP DI Body NRS Gates FLG X FLG w/ Air Gap	4800-OLBF	\$59,732.00
10-375AOSYFG	10" 375 RP DI Body OSY Gates FLG X GRV	4800-OLBF	\$64,791.00
10-375ASTDACFM	10" 375 RPDA SS Body CU Ft Mtr OSY Gates FLG X FLG	4800-OLBF	\$69,266.00
10-375ASTDACFMBG	10" 375 RPDA SS Body CU Ft Mtr Bfly GRV X GRV	4800-OLBF	\$77,322.00
10-375ASTDACMM	10" 375 RPDA SS Body CU Mtr Mtr OSY Gates FLG X FLG	4800-OLBF	\$75,686.00
10-375ASTDACMMBG	10" 375 RPDA SS Body CU Mtr Mtr Bfly GRV X GRV	4800-OLBF	\$79,021.00
10-375ASTDAFG	10" 375 RPDA SS Body Gal Mtr OSY Gates FLG X GRV	4800-OLBF	\$69,266.00
10-375ASTDAFGRV	10" 375 RPDA SS Body Gal Mtr OSY Gates FLG X GRV Rev	4800-OLBF	\$69,266.00
10-375ASTDAG	10" 375 RPDA SS Body Gal Mtr OSY Gates GRV X GRV	4800-OLBF	\$69,266.00
10-375ASTDAGFNRS-LV	10" 375 RPDA SS Body Gal Mtr NRS Gates GRV X FLG LAS VEGAS ONLY	4800-OLBF	\$69,266.00
10-375ASTDALMNYC	10" 375 RPDA SS Body Less Mtr NYC OSY Gates FLG X FLG	4800-OLBF	\$68,474.00
10-375ASTDANRS-LV	10" 375 RPDA SS Body Gal Mtr NRS Gates FLG X FLG LAS VEGAS ONLY	4800-OLBF	\$69,266.00
10-375ASTDAR-A	10" 375 RPDA SS Body W/spool Gal Mtr OSY Gates FLG X FLG	4800-OLBF	\$69,946.00
10-375ASTDARBFA	10" 375 RPDA SS Body W/spool Gal Mtr Bfly Gates FLG X FLG	4800-OLBF	\$74,157.00
10-375ASTDARBFG			

10-375ASTDARBG-A	10" 375 RPDA SS Body W/Spool Gal Mtr Bfly GRV X GRV	4800-OLBF	\$73,003.00
10-375ASTDARCFM-A	10" 375 RPDA SS Body W/spool CU Ft Mtr OSY Gates FLG X FLG	4800-OLBF	\$69,946.00
10-375ASTDARGNRS-LV	10" 375 RPDA SS Body W/spool Gal Mtr NRS Gates GRV X FLG LAS VEGAS ONLY	4800-OLBF	\$73,117.00
10-375ASTDASTCFM	10" 375 RPDA SS Body Sensus CU Ft Mtr OSY Gates SS Hardware FLG X FLG	4800-OLBF	\$76,188.00
10-375ASTFSC	10" 375 RP SS Body NRS Gates Flng X Flng w/ Epoxy Coated Strnr Flngd	4800-OLBF	\$77,284.00
10-375ASTL	10" 375 RP SS Body Less Shutoff GRV X GRV	4800-OLBF	\$42,721.00
10-375ASTLBS	10" 375 RP SS Body Less Shutoff Grv X Grv BS grooves	4800-OLBF	\$34,477.00
10-375ASTOSYFG	10" 375 RP SS Body OSY Gates FLG X GRV	4800-OLBF	\$64,794.00
10-375ASTOSYFSC	10" 375 RP SS Body OSY Gates FLG Strnr FLG X FLG	4800-OLBF	\$79,519.00
10-375ASTOSYG	10" 375 RP SS Body OSY Gates GRV X GRV	4800-OLBF	\$64,794.00
10-375ASTPIOSY	10" 375 RP SS Body Post Ind X OSY FLG X FLG	4800-OLBF	\$64,794.00
10-375ASTRBF-A	10" 375 RP SS Body W/spool Bfly FLG X FLG	4800-OLBF	\$74,292.00
10-375ASTRL-A	10" 375 RP SS Body W/spool Less Shutoff GRV X GRV	4800-OLBF	\$43,402.00
10-375ASTST	10" 375 RP SS Body NRS Gates SS Hardware FLG X FLG	4800-OLBF	\$67,005.00
10-375ASTW1	10" 375 RP W/Wireless Monitor SS Body NRS Gates GXF	4800-OLBF	\$75,648.00
10-375ASTW1OSY	10" 375 RP W/Wireless Monitor SS Body OSY Gates FLG X FLG	4800-OLBF	\$77,748.00
10-375BG	10" 375 RP BFLY GRV X GRV	4800-OLBF	\$73,779.00
10-375DACMRH	10" 375 RPDA CU Ft MTR RHT HAND GV	4800-OLBF	\$69,266.00
10-375DAH	10" 375 RPDA DI Body Gal Mtr OSY Gates FLG X FLG	4800-OLBF	\$69,266.00
10-375DALMG	10" 375 RPDA LESS MTR GRV X GRV	4800-OLBF	\$68,474.00
10-375DALMGF	10" 375 RPDA LESS MTR GRV X FLG	4800-OLBF	\$68,474.00
10-375DALMNYCG	10" 375 RPDA DI Body Less Mtr NYC OSY Gates GRV X GRV	4800-OLBF	\$71,324.00
10-375LBSD	10" 375 RP DI Body Less Shutoff TBL D FLG FLG X FLG	4800-OLBF	\$48,336.00
10-375OSYFG	10" 375 RP DI Body OSY Gates FLG X GRV	4800-OLBF	\$64,791.00
10-375OSYPI	10" 375 RP DI Body OSY X Post Ind FLG X FLG	4800-OLBF	\$64,794.00
112-375AG	1-1/2" 375 RP Ball Vivs NPT Top Access Non Potable w/ air gap	4800-OSBF	\$2,784.00
112-375XLAG	1-1/2" 375 RP Ball Vivs NPT Top Access Lead Free w/ air gap	4800-OSBF	\$3,520.00
112-375XL-BAA	1-1/2" 375 RP Ball Vivs NPT Top Access Lead Free, BAA Compliant	4800-OSBF	\$3,545.00
112-375XLBS	1-1/2" 375 RP Ball Vivs NPT Black Coat Top Access Lead Free	4800-OSBF	\$3,648.00
112-375XLBTR	1-1/2" 375 RP Ball Vivs NPT Black Tmpr resist Top Access Lead Free	4800-OSBF	\$5,123.00
112-375XLFTAG	1-1/2" 375 RP Ball Vivs Fasttest TC NPT Top Access Lead Free w/air gap	4800-OSBF	\$3,520.00
112-375XLSEFTSAG	1-1/2" 375 RP Vert St El Ball Vivs Fasttest TC NPT SXL Strainr w/air gap	4800-OSBF	\$4,477.00
112-375XLSTAND	STAND FOR 112-375XL	4800-OMWS	\$728.00
114-375XLBTR	1-1/4" 375 RP Ball Vivs NPT Black Tmpr resist Top Access Lead Free	4800-OSBF	\$4,665.00
114-375XLFTSAG	1-1/4" 375 RP Ball Vivs Fasttest TC NPT SXL Strainr w/ air gap	4800-OSBF	\$3,861.00
12-375LFTBT	1/2" (DN15) 375 RP Less shutoff Fasttest TC BSPT Top Access	4800-OSBF	\$1,659.00
12-375S	1/2" 375 RP Ball Vivs NPT SXL Strainr Top Access Non Potable	4800-OSBF	\$1,910.00
12-375STAG	1/2" 375 RP Ball Vivs NPT SS body w/air gap	4800-OSBF	\$5,211.00
12-375XLAG	1/2" 375 RP Top Access Lead Free w/Air Gap	4800-OSBF	\$1,928.00
12-375XL-BAA	1/2" 375 RP Ball Vivs NPT Top Access Lead Free, BAA Compliant	4800-OSBF	\$1,871.00
12IN-375	12IN 375 RP DI Body NRS Gates FLG X FLG	4800-OLBF	\$89,760.00
12IN-375DA	12IN 375 RPDA DI Body Gal Mtr OSY Gates FLG X FLG "No Approvals"	4800-OLBF	\$94,203.00
12IN-375DACFM	12IN 375 RPDA DI Body CU Ft Mtr OSY Gates FLG X FLG "No Approvals"	4800-OLBF	\$94,203.00
12IN-375LBS	12IN 375 RP DI Body Less Shutoff TBL E FLG X FLG "No Approvals"	4800-OLBF	\$89,760.00
12IN-375OSY	12IN 375 RP DI Body OSY Gates FLG X FLG	4800-OLBF	\$89,760.00
12IN-375OSYRH	12IN 375 RP DI Body OSY Gates Right Hand FLG X FLG	4800-OLBF	\$89,760.00
12IN-375W1	12" 375 RP W/Wireless Monitor DI Body NRS Gates FLG X FLG "No Approvals"	4800-OLBF	\$108,690.00
1-375AG	1" 375 RP Ball Vivs NPT Top Access Non Potable w/air gap	4800-OSBF	\$1,525.00
1-375-BAA	1" 375 RP Ball Vivs NPT Top Access Non Potable, BAA Compliant	4800-OSBF	\$1,428.00
1-375FTAG	1" 375 RP Ball Vivs Fasttest TC NPT Top Access Non Potable w/air gap	4800-OSBF	\$1,525.00
1-375XLAG	1" 375 RP Ball Vivs NPT Top Access Lead Free w/air gap	4800-OSBF	\$2,064.00
1-375XL-BAA	1" 375 RP Ball Vivs NPT Top Access Lead Free, BAA Compliant	4800-OSBF	\$2,020.00
1-375XLSTAND	STAND FOR 1-375XL	4800-OMWS	\$645.00
212-375ABPIG	2-1/2" 375 RP DI Body Bfly X Post Ind GRV X GRV	4800-OLBF	\$13,993.00
212-375ADACFM	2-1/2" 375 RPDA DI Body CU Ft Mtr OSY Gates FLG X FLG	4800-OLBF	\$17,346.00
212-375ADACMM	2-1/2" 375 RPDA DI Body CU Mtr OSY Gates FLG X FLG	4800-OLBF	\$17,346.00
212-375ADACMMBG	2-1/2" 375 RPDA DI Body CU Mtr Bfly GRV X GRV	4800-OLBF	\$21,459.00
212-375ADALMNYC	2-1/2" 375 RPDA DI Body Less Mtr NYC OSY Gates FLG X FLG	4800-OLBF	\$16,553.00
212-375ADAPIBG	2-1/2" 375 RPDA DI Body Gal Mtr Post Ind X Bfly GRV X GRV	4800-OLBF	\$21,155.00
212-375ADARBF-A	2-1/2" 375 RPDA DI Body W/spool Gal Mtr Bfly FLG X FLG	4800-OLBF	\$18,072.00
212-375AFSC-AG	2-1/2" 375 RP DI Body NRS Gates FLG Strnr FLG X FLG w/ Air Gap	4800-OLBF	\$12,659.00
212-375ARBF-A	2-1/2" 375 RP DI Body W/spool Bfly FLG X FLG	4800-OLBF	\$14,373.00
212-375AST AG	2-1/2" 375 RP SS Body NRS Gates FLG X FLG W/Air Gap	4800-OLBF	\$11,311.00
212-375ASTBF AG	2-1/2" 375 RP SS Body Bfly FLG X FLG W/Air Gap	4800-OLBF	\$14,343.00
212-375ASTBFSCF	2-1/2" 375 RP SS Body Bfly FLG Strnr FLG X FLG	4800-OLBF	\$18,132.00
212-375ASTBG-AG	2-1/2" 375 RP SS Body Bfly GRV X GRV W/ Air Gap	4800-OLBF	\$14,261.00
212-375ASTDACFMBF	2-1/2" 375 RPDA SS Body Sensus Cu Ft Mtr Bfly FLG X FLG	4800-OLBF	\$18,189.00
212-375ASTDACFMOYPI	2-1/2" 375 RPDA SS Body CU Ft Mtr OSY X Post Ind FLG X FLG	4800-OLBF	\$21,183.00
212-375ASTDACMM	2-1/2" 375 RPDA SS Body CU Mtr OSY Gates FLG X FLG	4800-OLBF	\$20,857.00
212-375ASTDACMMBG	2-1/2" 375 RPDA SS Body CU Mtr Bfly GRV X GRV	4800-OLBF	\$21,459.00
212-375ASTDAG	2-1/2" 375 RPDA SS Body Gal Mtr OSY Gates GRV X GRV	4800-OLBF	\$17,346.00
212-375ASTDALM	2-1/2" 375 RPDA SS Body Less Mtr OSY Gates FLG X FLG	4800-OLBF	\$16,553.00

212-375ASTDALMBFG	2-1/2" 375 RPDA SS Body Less Mtr Bfly FLG X GRV	4800-OLBF	\$17,133.00
212-375ASTDALMNYC	2-1/2" 375 RPDA SS Body Less Mtr NYC OSY Gates FLG X FLG	4800-OLBF	\$16,553.00
212-375ASTDALMNYCBG	2-1/2" 375 RPDA SS Body Less Mtr NYC Bfly GRV X GRV	4800-OLBF	\$17,056.00
212-375ASTDANRS-LV	2-1/2" 375 RPDA SS Body Gal Mtr NRS Gates FLG X FLG LAS VEGAS ONLY	4800-OLBF	\$17,346.00
212-375ASTDAR A	2-1/2" 375 RPDA SS Body W/spool Gal Mtr OSY Gates FLG X FLG	4800-OLBF	\$17,890.00
212-375ASTDARCFMBF-A	2-1/2" 375 RPDA SS Body W/spool CU Ft Mtr OSY Gates FLG X FLG	4800-OLBF	\$18,732.00
212-375ASTDARCFMOSPI	2-1/2" 375 RPDA SS Body W/spool CU Ft Mtr OSY X Post Ind FLG X FLG	4800-OLBF	\$22,540.00
212-375ASTDARG-A	2-1/2" 375 RPDA SS Body W/spool Gal Mtr OSY Gates GRV X GRV	4800-OLBF	\$17,890.00
212-375ASTFSC-AG	2-1/2" 375 RP SS Body NRS Gates FLG Strnr FLG X FLG W/Air Gap	4800-OLBF	\$12,655.00
212-375ASTG	2-1/2" 375 RP SS Body NRS Gates GRV X GRV	4800-OLBF	\$10,792.00
212-375ASTLBS	2-1/2" 375 RP SS Body Less Shutoff BS Grv X Grv BS grooves	4800-OLBF	\$13,098.00
212-375ASTOSY-AG	2-1/2" 375 RP SS Body OSY Gates FLG X FLG W/Air Gap	4800-OLBF	\$12,280.00
212-375ASTOSYFSC	2-1/2" 375 RP SS Body OSY Gates FLG Strnr FLG X FLG	4800-OLBF	\$13,111.00
212-375ASTOSYFSC-AG	2-1/2" 375 RP SS Body OSY Gates FLG Strnr FLG X FLG W/ Air Gap	4800-OLBF	\$13,627.00
212-375ASTOSYG	2-1/2" 375 RP SS Body OSY Gates GRV X GRV	4800-OLBF	\$10,233.00
212-375ASTOSYRV	2-1/2" 375 RP SS Body Rev TC Side OSY Gates FLG X FLG	4800-OLBF	\$11,766.00
212-375ASTOSYST	2-1/2" 375 RP SS Body OSY Gates SS Hardware FLG X FLG	4800-OLBF	\$15,109.00
212-375ASTRBF-A	2-1/2" 375 RP SS Body W/spool Bfly FLG X FLG	4800-OLBF	\$14,373.00
212-375ASTRBF-A	2-1/2" 375 RP SS Body W/spool NRS Gates GRV X FLG	4800-OLBF	\$11,336.00
212-375ASTROSYST A	2-1/2" 375 RP SS Body W/spool OSY Gates SS Hardware FLG X FLG	4800-OLBF	\$15,654.00
212-375ASTST	2-1/2" 375 RP SS Body NRS Gates SS Hardware FLG X FLG	4800-OLBF	\$14,237.00
212-375ASTW1FCOSY	2-1/2" 375 RP W/Wireless Monitor FCIS SS Body OSY Gates FLG X FLG	4800-OLBF	\$16,707.00
212-375ASTW1OSY	2-1/2" 375 RP W/Wireless Monitor SS Body OSY Gates FLG X FLG	4800-OLBF	\$14,117.00
212-375ASTW1OSYFSC-AG	2-1/2" 375 RP w/Wireless Mntor SS Body OSY Gate FLGxFLG EpoxyStrnr Flngd w/Air Gap	4800-OLBF	\$15,989.00
212-375BG	2-1/2" 375 RP DI Body Bfly GRV X GRV	4800-OLBF	\$13,749.00
212-375DBG	2-1/2" 375 RPDA DI Body Gal Mtr Bfly GRV X GRV	4800-OLBF	\$18,291.00
212-375LGB	2-1/2" 375 RP DI Body Less ShutoffBG Flg & Thrds China	4800-OLBF	\$8,754.00
212-375OSYFSC-AG	2-1/2" 375 RP DI Body OSY Gates FLG Strnr FLG X FLG W/ Air Gap	4800-OLBF	\$13,627.00
2-375AG	2" 375 RP Ball Vivs NPT Top Access Non Potable w/air gap	4800-OSBF	\$4,787.00
2-375XL-BAA	2" 375 RP Ball Vivs NPT Top Access Lead Free, BAA Compliant	4800-OSBF	\$3,924.00
2-375XLBS	2" 375 RP Ball Vivs NPT Black Coat Top Access Lead Free	4800-OSBF	\$4,214.00
2-375XLBTR	2" 375 RP Ball Vivs NPT Black Tmpr resist Top Access Lead Free	4800-OSBF	\$5,751.00
2-375XLFTAG	2" 375 RP Ball Vivs Fasttest TC NPT Top Access Lead Free w/air gap	4800-OSBF	\$3,864.00
3-375ABFSC-AG	3" 375 RP DI Body Bfly FLG Strnr FLG X FLG W/Air Gap	4800-OLBF	\$16,647.00
3-375ABPIG	3" 375 RP DI Body Bfly X Post Ind GRV X GRV	4800-OLBF	\$14,643.00
3-375ADABPIG	3" 375 RPDA DI Body Gal Mtr Bfly X Post Ind GRV X GRV	4800-OLBF	\$22,437.00
3-375ADACFM	3" 375 RPDA DI Body CU Ft Mtr OSY Gates FLG X FLG	4800-OLBF	\$17,642.00
3-375ADACFMBG	3" 375 RPDA DI Body CU Ft Mtr Bfly GRV X GRV	4800-OLBF	\$17,826.00
3-375ADACMM	3" 375 RPDA DI Body CU Mtr OSY Gates FLG X FLG	4800-OLBF	\$17,642.00
3-375ADACMMBG	3" 375 RPDA DI Body CU Mtr Bfly GRV X GRV	4800-OLBF	\$22,888.00
3-375ADALM-AG	3" 375 RPDA DI Body Less Mtr OSY Gates FLG X FLG W/ Air Gap	4800-OLBF	\$17,366.00
3-375ADALMNYC	3" 375 RPDA DI Body Less Mtr NYC OSY Gates FLG X FLG	4800-OLBF	\$16,852.00
3-375ADALMNYCBG	3" 375 RPDA DI Body Less Mtr NYC Bfly GRV X GRV	4800-OLBF	\$22,089.00
3-375ADAPIOSY	3" 375 RPDA DI Body Gal Mtr Post Ind X OSY FLG X FLG	4800-OLBF	\$17,642.00
3-375ADARBF-A	3" 375 RPDA DI Body W/spool Gal Mtr Bfly FLG X FLG	4800-OLBF	\$18,765.00
3-375-AG	3" 375 RP DI Body NRS Gates FLG X FLG W/Air Gap	4800-OLBF	\$11,556.00
3-375AOSY-AG	3" 375 RP DI Body OSY Gates FLG X FLG W/Air Gap	4800-OLBF	\$12,597.00
3-375AOSYFG	3" 375 RP DI Body OSY Gates FLG X GRV	4800-OLBF	\$12,083.00
3-375AOSYG	3" 375 RP DI Body OSY Gates GRV X GRV	4800-OLBF	\$12,083.00
3-375APIBG	3" 375 RP DI Body Post Ind X Bfly GRV X GRV	4800-OLBF	\$14,643.00
3-375ARBF-A	3" 375 RP DI Body W/spool Bfly FLG X FLG	4800-OLBF	\$15,034.00
3-375ARFSC-A	3" 375 RP DI Body W/spool NRS Gates FLG Strnr FLG X FLG	4800-OLBF	\$13,223.00
3-375ASTBG-AG	3" 375 RP SS Body Bfly GRV X GRV W/Air Gap	4800-OLBF	\$14,717.00
3-375ASTDACFM	3" 375 RPDA SS Body CU Ft Mtr OSY Gates FLG X FLG	4800-OLBF	\$17,642.00
3-375ASTDACFMBFG	3" 375 RPDA SS Body CU Ft Mtr Bfly FLG X GRV	4800-OLBF	\$23,223.00
3-375ASTDACFMBG	3" 375 RPDA SS Body CU Ft Mtr Bfly GRV X GRV	4800-OLBF	\$18,367.00
3-375ASTDACMM	3" 375 RPDA SS Body CU Mtr OSY Gates FLG X FLG	4800-OLBF	\$21,987.00
3-375ASTDACMMBG	3" 375 RPDA SS Body CU Mtr Bfly GRV X GRV	4800-OLBF	\$22,888.00
3-375ASTDAG	3" 375 RPDA SS Body Gal Mtr OSY Gates GRV X GRV	4800-OLBF	\$17,642.00
3-375ASTDALM	3" 375 RPDA SS Body Less Mtr OSY Gates FLG X FLG	4800-OLBF	\$16,851.00
3-375ASTDALMNYC	3" 375 RPDA SS Body Less Mtr NYC OSY Gates FLG X FLG	4800-OLBF	\$16,852.00
3-375ASTDALMNYCBG	3" 375 RPDA SS Body Less Mtr NYC Bfly Flange X Flange	4800-OLBF	\$18,118.00
3-375ASTDALMNYCBG	3" 375 RPDA SS Body Less Mtr NYC Bfly GRV X GRV	4800-OLBF	\$17,575.00
3-375ASTDANRS-LV	3" 375 RPDA SS Body Gal Mtr NRS Gates FLG X FLG LAS VEGAS ONLY	4800-OLBF	\$17,642.00
3-375ASTDAR A	3" 375 RPDA SS Body W/spool Gal Mtr OSY Gates FLG X FLG	4800-OLBF	\$18,191.00
3-375ASTDARBF-A	3" 375 RPDA SS Body W/spool Gal Mtr Bfly FLG X FLG	4800-OLBF	\$19,457.00
3-375ASTDARBG-A	3" 375 RPDA SS Body W/spool Gal Mtr Bfly GRV X GRV	4800-OLBF	\$18,911.00
3-375ASTAG	3" 375 RP SS Body NRS Gates GRV X GRV	4800-OLBF	\$11,042.00
3-375ASTOSYFG	3" 375 RP SS Body OSY Gates FLG X GRV	4800-OLBF	\$12,083.00
3-375ASTOSYFSC	3" 375 RP SS Body OSY Gates FLG Strnr FLG X FLG	4800-OLBF	\$13,721.00
3-375ASTOSYG	3" 375 RP SS Body OSY Gates GRV X GRV	4800-OLBF	\$11,840.00
3-375ASTRBF-A	3" 375 RP SS Body W/spool Bfly FLG X FLG	4800-OLBF	\$15,034.00
3-375ASTRBF-A	3" 375 RP SS Body W/spool Bfly GRV X GRV	4800-OLBF	\$14,751.00
3-375ASTRFB-A	3" 375 RP SS Body W/spool NRS Gates FLG Strnr FLG X FLG	4800-OLBF	\$13,223.00
3-375ASTRFB-A	3" 375 RP SS Body W/spool NRS Gates GRV X GRV	4800-OLBF	\$11,586.00
3-375ASTROSYFSC-A	3" 375 RP SS BODY W/SPOOL OSY GATES FLG STRNR EPOXY COAT	4800-OLBF	\$14,266.00
3-375ASTROSYG-A	3" 375 RP SS Body W/spool OSY Gates GRV X GRV	4800-OLBF	\$12,384.00
3-375ASTRFBV	3" 375 RP SS Body Reverse Bfly FLG X FLG	4800-OLBF	\$14,490.00

3-375ASTRW1-A	3" 375 RP SS Body W/spool, Wireless Monitor, NRS Gates FLG X FLG	4800-OLBF	\$13,795.00
3-375ASTST	3" 375 RP SS Body NRS Gates SS Hardware FLG X FLG	4800-OLBF	\$14,778.00
3-375ASTW10SY	3" 375 RP W/Wireless Monitor SS Body OSY Gates FLG X FLG	4800-OLBF	\$14,501.00
3-375ASTW10SY-AG	3" 375 RP W/Wireless Monitor SS Body OSY Gates FLG X FLG W/Air Gap	4800-OLBF	\$20,067.00
3-375AW10SY	3" 375A RP W/Wireless Monitor DI Body OSY Gates FLG X FLG	4800-OLBF	\$13,251.00
3-375DABPIG	3" 375 RP BFLY POST IND X POST IND GRV X GRV	4800-OLBF	\$20,237.00
3-375DALMNYCG	3" 375 RPDA DI Body Less Mtr NYC OSY Gates GRV X GRV	4800-OLBF	\$19,446.00
3-375DARH	3" 375 RPDA DI Body Gal Mtr OSY Gates Rht Hand GV FLG X FLG	4800-OLBF	\$19,466.00
3-375DARHCFM	3" 375 RPDA DI Body CFM Mtr OSY Gates Rht Hand GV FLG X FLG	4800-OLBF	\$19,466.00
3-375FSC-AG	3" 375 RP DI Body NRS Gates FLG Strnr FLG X FLG W/AIR GAP	4800-OLBF	\$13,195.00
3-375LFSC	3" 375 RP DI Body Less Shutoff FLG Strnr FLG X FLG	4800-OLBF	\$8,851.00
3-375LGB	3" 375 RP DI Body Less ShutoffGB FLG & Thrds China	4800-OLBF	\$6,398.00
3-375OSYPI	8" 375 RP DI Body OSY X Post Ind FLG X FLG	4800-OLBF	\$12,083.00
3-375OSYVR	3" 375 RP DI Body OSY Gates FLG X FLG Reverse TC side	4800-OLBF	\$12,083.00
3-375W1BG	3" 375 RP W/Wireless Monitor DI Body Bfly GRV X GRV	4800-OLBF	\$36,544.00
3-375W1FSC-AG	3" 375 RP W/Wireless Monitor, DI Body NRS Gates FLG Strnr FLG X FLG W/Air Gap	4800-OLBF	\$15,826.00
3-375W10SY	3" 375 RP W/Wireless Monitor DI Body OSY Gates FLG X FLG	4800-OLBF	\$14,501.00
34-375-BAA	3/4" 375 RP Ball Vivs NPT Top Access Non Potable, BAA Compliant	4800-OSBF	\$1,353.00
34-375FITS	3/4" 375 RP Fasttest TC NPT Strainer	4800-OSBF	\$1,447.00
34-375SERIESSTAND	STAND FOR 34-375 SERIES VALVES	4800-OMWS	\$554.00
34-375XL-BAA	3/4" 375 RP Ball Vivs NPT Top Access Lead Free, BAA Compliant	4800-OSBF	\$1,907.00
34-375XLBFT	3/4" 375 RP Ball Vivs Black Coated Fasttest TC NPT Top Access Lead Free	4800-OSBF	\$1,739.00
4-375ABFSCF	4" 375 RP DI Body Bfly FLG Strnr FLG X FLG	4800-OLBF	\$21,593.00
4-375ABFSCF-AG	4" 375 RP DI Body Bfly FLG Strnr FLG X FLG W/Air Gap	4800-OLBF	\$24,245.00
4-375ABOSYG	4" 375 RP DI Body Bfly X OSY GRV X GRV	4800-OLBF	\$20,209.00
4-375ABOSYGF	4" 375 RP DI Body Bfly X OSY GRV X FLG	4800-OLBF	\$20,209.00
4-375ABPIG	4" 375 RP DI Body Bfly X Post Ind GRV X GRV	4800-OLBF	\$19,937.00
4-375ADABPIG	4" 375 RPDA DI Body Gal Mtr Bfly X Post Ind GRV X GRV	4800-OLBF	\$26,273.00
4-375ADACMM	4" 375 RPDA DI Body CU Mtr OSY Gates FLG X FLG	4800-OLBF	\$19,344.00
4-375ADACMMBG	4" 375 RPDA DI Body CU Mtr Bfly GRV X GRV	4800-OLBF	\$27,534.00
4-375ADALMNYCRV	4" 375 RPDA DI Body Less Mtr NYC Rev. By-pass OSY Gates FLG X FLG	4800-OLBF	\$18,552.00
4-375ADAOBYBG	4" 375 RPDA DI Body Gal Mtr OSY X Bfly GRV X GRV	4800-OLBF	\$26,273.00
4-375ADARBF-A	4" 375 RPDA DI Body W/spool Gal Mtr Bfly FLG X FLG	4800-OLBF	\$21,730.00
4-375ADARCFM-A	4" 375 RPDA DI Body W/spool CU Ft Mtr OSY Gates FLG X FLG	4800-OLBF	\$19,887.00
4-375ADARLM-A	4" 375 RPDA DI Body W/spool Less Mtr OSY Gates FLG X FLG	4800-OLBF	\$19,097.00
4-375 AG	4" 375 RP DI Body NRS Gates FLG X FLG W/Air Gap	4800-OLBF	\$13,057.00
4-375ALDA	4" 375 RPDA Less DA DI Body Less Shutoff FLG X FLG	4800-OLBF	\$17,574.00
4-375ALSALSSAMPLE	4" 375AL SALES SAMPLE LEAD FREE	4800-OMWS	\$11,248.00
4-375AOSYBG	4" 375 RP DI Body OSY X Bfly GRV X GRV	4800-OLBF	\$19,937.00
4-375ABPIG	4" 375 RP DI Body Post Ind X Bfly GRV X GRV	4800-OLBF	\$19,937.00
4-375ARBF-A	4" 375 RP DI Body W/spool Bfly FLG X FLG	4800-OLBF	\$19,418.00
4-375ARBG A	4" 375 RP DI Body W/spool Bfly GRV X GRV	4800-OLBF	\$18,968.00
4-375ASTBSCF	4" 375 RP SS Body Bfly FLG Strnr FLG X FLG	4800-OLBF	\$22,840.00
4-375ASTDACMBG	4" 375 RPDA SS Body CU Ft Mtr Bfly GRV X GRV	4800-OLBF	\$21,302.00
4-375ASTDACFMG	4" 375 RPDA SS BODY CU FT MTR GRV X GRV	4800-OLBF	\$19,344.00
4-375ASTDACMM	4" 375 RPDA SS Body CU Mtr OSY Gates FLG X FLG	4800-OLBF	\$25,007.00
4-375ASTDACMMBG	4" 375 RPDA SS Body CU Mtr Bfly GRV X GRV	4800-OLBF	\$27,534.00
4-375ASTDAFGLMRV	4" 375 RPDA SS Body Gal Mtr OSY Gates FLG X GRV Less Mtr Rev	4800-OLBF	\$18,550.00
4-375ASTDAG	4" 375 RPDA SS Body Gal Mtr OSY Gates GRV X GRV	4800-OLBF	\$19,344.00
4-375ASTDALM	4" 375 RPDA SS Body Less Mtr OSY Gates FLG X FLG	4800-OLBF	\$18,550.00
4-375ASTDALMBG	4" 375 RPDA SS Body Less Mtr Bfly GRV X GRV	4800-OLBF	\$20,507.00
4-375ASTDALMBG-AG	4" 375 RPDA SS Body Less Mtr Bfly GRV X GRV W/Air Gap	4800-OLBF	\$21,027.00
4-375ASTDALMNYC	4" 375 RPDA SS Body Less Mtr NYC OSY Gates FLG X FLG	4800-OLBF	\$18,550.00
4-375ASTDALMNYCBG	4" 375 RPDA SS Body Less Mtr NYC Bfly GRV X GRV	4800-OLBF	\$20,507.00
4-375ASTDALMRVBG	4" 375 RPDA SS Body Less Mtr Bfly GRV X GRV Rev Pilot	4800-OLBF	\$20,507.00
4-375ASTDANRS-LV	4" 375 RPDA SS Body Gal Mtr NRS Gates FLG X FLG LAS VEGAS ONLY	4800-OLBF	\$19,344.00
4-375ASTDARBF-A	4" 375 RPDA SS Body W/spool Gal Mtr Bfly FLG X FLG	4800-OLBF	\$22,526.00
4-375ASTDARCFM-A	4" 375 RPDA SS Body W/spool CU Ft Mtr OSY Gates FLG X FLG	4800-OLBF	\$19,887.00
4-375ASTDARCFMAG-A	4" 375 RPDA SS Body W/spool CU Ft Mtr Bfly GRV X GRV	4800-OLBF	\$21,846.00
4-375ASTDARV	4" 375 RPDA SS Body Gal Mtr OSY Gates FLG X FLG Rev. By-Pass	4800-OLBF	\$19,344.00
4-375ASTDARVBG	4" 375 RPDA SS Body Gal Mtr Bfly GRV X GRV Rev. By-Pass	4800-OLBF	\$21,302.00
4-375ASTFEG	4" 375 RP SS Body NRS Gates FLG X GRV	4800-OLBF	\$12,541.00
4-375ASTFSC-AG	4" 375 RP SS Body NRS Gates FLG Strnr FLG X FLG W/Air Gap	4800-OLBF	\$15,721.00
4-375ASTFSCFG-AG	4" 375 RP SS Body NRS Gates FLG Strnr FLG X GRV W/Air Gap	4800-OLBF	\$15,721.00
4-375ASTG	4" 375 RP SS Body NRS Gates GRV X GRV	4800-OLBF	\$12,541.00
4-375ASTGF	4" 375 RP SS Body NRS Gates GRV X FLG	4800-OLBF	\$12,541.00
4-375ASTLBS	4" 375 RP SS Body Less Shutoff Grv X Grv BS grooves	4800-OLBF	\$12,596.00
4-375ASTOSY-AG	4" 375 RP SS Body OSY Gates FLG X FLG W/Air Gap	4800-OLBF	\$16,155.00
4-375ASTOSYFG	4" 375 RP SS Body OSY Gates FLG X GRV	4800-OLBF	\$15,637.00
4-375ASTOSYFSC	4" 375 RP SS Body OSY Gates FLG Strnr FLG X FLG	4800-OLBF	\$18,302.00
4-375ASTOSYGF	4" 375 RP SS Body OSY Gates GRV X FLG	4800-OLBF	\$15,637.00
4-375ASTOSYRV	4" 375 RP SS Body OSY Gates FLG X FLG Rev	4800-OLBF	\$15,637.00
4-375ASTSRBG-A	4" 375 RP SS Body W/spool Bfly GRV X GRV	4800-OLBF	\$18,968.00
4-375ASTSRG-A	4" 375 RP SS Body W/spool NRS Gates GRV X GRV	4800-OLBF	\$13,085.00
4-375ASTSRG-A	4" 375 RP SS Body W/spool NRS Gates GRV X FLG	4800-OLBF	\$13,085.00
4-375ASTRL-A	4" 375 RP SS Body W/spool Less Shutoff GRV X GRV	4800-OLBF	\$13,088.00
4-375ASTROSYFSC-A	4" 375 RP SS Body W/spool OSY Gates Flg Strainer Epoxy Coat	4800-OLBF	\$18,846.00
4-375ASTROSYG-A	4" 375 RP SS Body W/spool OSY Gates GRV X GRV	4800-OLBF	\$16,182.00
4-375ASTRNVB	4" 375 RP SS Body Reverse Bfly FLG X FLG	4800-OLBF	\$18,874.00

4-375ASTRW1L-A	4" 375 RP SS Body W/spool, Wireless Monitor, Less Shutoff GRV X GRV	4800-OLBF	\$15,594.00
4-375ASTRW10SY-A	4" 375 RP SS Body W/spool, Wireless Monitor, OSY Gates FLG X FLG	4800-OLBF	\$19,310.00
4-375ASTST	4" 375 RP SS Body NRS Gates SS Hardware FLG X FLG	4800-OLBF	\$19,620.00
4-375ASTW1BFG	4" 375 RP W/Wireless Monitor SS Body Bfly Vivs FLG X FLG	4800-OLBF	\$15,050.00
4-375ASTW1BG	4" 375 RP W/Wireless Monitor SS Body Bfly Vivs GRV X GRV	4800-OLBF	\$15,050.00
4-375ASTW10SY	4" 375 RP W/Wireless Monitor SS Body OSY Gates FLG X FLG	4800-OLBF	\$18,765.00
4-375AW1BFFSC	4" 375 RP DI Body W/Wireless Monitor Bfly FLG Strnr FLG X FLG	4800-OLBF	\$27,372.00
4-375AW10SY	4" 375 RP W/Wireless Monitor DI Body OSY Gates FLG X FLG	4800-OLBF	\$18,765.00
4-375DAHI	4" 375 RPDA DI Body Gal Mtr OSY Gates FLG X FLG	4800-OLBF	\$19,344.00
4-375DALLMBSO	4" 375 RPDA DI Body Less Mtr Less Shutoff TBL D FLG FLG X FLG	4800-OLBF	\$17,649.00
4-375DALMNYCG	4" 375 RPDA DI Body Less Mtr NYC OSY Gates GRV X GRV	4800-OLBF	\$24,218.00
4-375DARH	4" 375 RPDA DI Body Gal Mtr OSY Gates Rht Hand GV FLG X FLG	4800-OLBF	\$19,631.00
4-375FSC AG	4" 375 RP DI Body NRS Gates FLG Strnr FLG X FLG W/Air Gap	4800-OLBF	\$15,721.00
4-375FSCFG	4" 375 RP DI Body NRS Gates FLG Strnr FLG X GRV	4800-OLBF	\$15,203.00
4-375LBSO-OS	4" 375 RP DI BODY LESS SHUTOFF TBL D FLG X FLG OLD STYLE SHORT BODY	4800-OLBF	\$9,869.00
4-375LGB	4" 375 RP DI Body Less ShutoffGB Flg & Thrds China	4800-OLBF	\$9,459.00
4" 375L-PN16	4" 375 RP DI Body Less Shutoff PN16 FLG X FLG	4800-OLBF	\$12,596.00
4-375W1FSC-AG	4" 375 RP W/Wireless Monitor, DI Body NRS Gates FLG Strnr FLG X FLG W/Air Gap	4800-OLBF	\$18,862.00
4-375W10SY	4" 375 RP W/Wireless Monitor DI Body OSY Gates FLG X FLG	4800-OLBF	\$18,765.00
4-375W10SY-AG	4" 375 RP W/Wireless Monitor DI Body OSY Gates FLG X FLG W/Air Gap	4800-OLBF	\$21,430.00
4-375W10SYFSC-AG	4" 375 RP W/Wireless Monitor, DI Body OSY Gates FLG Strnr FLG X FLG W/Air Gap	4800-OLBF	\$27,376.00
6-375A-AG	6" 375 RP DI Body NRS Gates FLG X FLG W/Air Gap	4800-OLBF	\$23,818.00
6-375ABL	6" 375 RP DI Body Bfly X Less outlet shutoff Grv x Grv	4800-OLBF	\$19,227.00
6-375ABPIG	6" 375 RP DI Body Bfly X Post Ind GRV X GRV	4800-OLBF	\$29,873.00
6-375ADACFMG	6" 375 RPDA DI Body CU Ft Mtr OSY Gates GRV X GRV	4800-OLBF	\$27,846.00
6-375ADACFMOSYBFG	6" 375 RPDA DI Body CU Ft Mtr OSY X Bfly FLG X GRV	4800-OLBF	\$37,115.00
6-375ADACFMOSYBG	6" 375 RPDA DI Body CU Ft Mtr OSY X Bfly GRV X GRV	4800-OLBF	\$36,551.00
6-375ADACFMPIBFG	6" 375 RPDA DI Body CU Ft Mtr Post Ind X Bfly FLG X GRV	4800-OLBF	\$36,551.00
6-375ADACMM	6" 375 RPDA DI Body CU Ft Mtr OSY Gates FLG X FLG	4800-OLBF	\$27,846.00
6-375ADACMMBG	6" 375 RPDA DI Body CU Mtr Bfly GRV X GRV	4800-OLBF	\$38,307.00
6-375ADALLMNYC	6" 375 RPDA DI Body Less Mtr NYC Less Shutoff FLG X FLG	4800-OLBF	\$23,200.00
6-375ADALMBF	6" 375 RPDA DI Body Less Mtr Bfly FLG X FLG	4800-OLBF	\$29,625.00
6-375ADALMBG	6" 375 RPDA DI Body Less Mtr Bfly GRV X GRV	4800-OLBF	\$28,752.00
6-375ADALMNYCBG	6" 375 RPDA DI Body Less Mtr NYC Bfly GRV X GRV	4800-OLBF	\$37,521.00
6-375ADAPIBG	6" 375 RPDA DI Body Gal Mtr Post Ind X Bfly GRV X GRV	4800-OLBF	\$36,551.00
6-375ADARBF-A	6" 375 RPDA DI Body W/spool Gal Mtr Bfly FLG X FLG	4800-OLBF	\$30,960.00
6-375-AG	6" 375 RP DI Body NRS Gates FLG X FLG W/Air Gap	4800-OLBF	\$23,818.00
6-375ALDA	6" 375 RPDA Less DA DI Body Less Shutoff FLG X FLG	4800-OLBF	\$25,066.00
6-375AOSYBG	6" 375 RP DI Body OSY X Bfly GRV X GRV	4800-OLBF	\$29,873.00
6-375ARBF-A	6" 375 RP DI Body W/spool Bfly FLG X FLG	4800-OLBF	\$29,567.00
6-375AST-AG	6" 375 RP SS Body NRS Gates FLG X FLG W/Air Gap	4800-OLBF	\$23,818.00
6-375ASTDACFMFB	6" 375 RPDA SS Body W/ CU Ft Mtr Bfly FLG X FLG	4800-OLBF	\$31,560.00
6-375ASTDACFMGB	6" 375 RPDA SS Body CU Ft Mtr Bfly GRV X GRV	4800-OLBF	\$30,659.00
6-375ASTDACFMG	6" 375 RPDA SS Body CU Ft Mtr OSY Gates GRV X GRV	4800-OLBF	\$27,846.00
6-375ASTDACFMRVFG	6" 375 RPDA SS Body CU Ft Mtr Rev. By-Pass OSY Gates FLG X GRV	4800-OLBF	\$34,794.00
6-375ASTDACMM	6" 375 RPDA SS Body CU Mtr OSY Gates FLG X FLG	4800-OLBF	\$34,794.00
6-375ASTDACMMBG	6" 375 RPDA SS Body CU Mtr Bfly GRV X GRV	4800-OLBF	\$38,307.00
6-375ASTDAGR	6" 375 RPDA SS Body Gal Mtr OSY Gates GRV X GRV By-pass on right side	4800-OLBF	\$27,846.00
6-375ASTDALM	6" 375 RPDA SS Body Less Mtr OSY Gates FLG X FLG	4800-OLBF	\$27,054.00
6-375ASTDALMBFRV	6" 375 RPDA SS Body Less Mtr Bfly FLG X FLG By-Pass on right side	4800-OLBF	\$27,054.00
6-375ASTDALMFG	6" 375 RPDA SS BODY LESS MTR FLG X GRV	4800-OLBF	\$27,054.00
6-375ASTDALMBG	6" 375 RPDA SS Body Less Mtr Bfly GRV X GRV	4800-OLBF	\$27,054.00
6-375ASTDALMNYC	6" 375 RPDA SS Body Less Mtr NYC OSY Gates FLG X FLG	4800-OLBF	\$27,054.00
6-375ASTDALMNYCBG	6" 375 RPDA SS Body Less Mtr NYC Bfly GRV X GRV	4800-OLBF	\$29,869.00
6-375ASTDANRS-LV	6" 375 RPDA SS Body Gal Mtr NRS Gates FLG X FLG LAS VEGAS ONLY	4800-OLBF	\$27,846.00
6-375ASTDAOSYPI	6" 375 RPDA SS Body Gal Mtr OSY Gate X Post Ind FLG X FLG	4800-OLBF	\$27,563.00
6-375ASTDARBF-A	6" 375 RPDA SS BODY W/SPOOL BFLY FLG X FLG	4800-OLBF	\$32,104.00
6-375ASTDARBG-A	6" 375 RPDA SS Body W/spool Gal Mtr Bfly GRV X GRV	4800-OLBF	\$31,203.00
6-375ASTDARCFM-A	6" 375 RPDA SS Body W/spool CU Ft Mtr OSY Gates FLG X FLG	4800-OLBF	\$28,390.00
6-375ASTDARCFMFB-A	6" 375 RPDA SS Body W/spool CU Ft Mtr Bfly FLG X FLG	4800-OLBF	\$32,104.00
6-375ASTDARCFMGB-A	6" 375 RPDA SS Body W/spool CU Ft Mtr Bfly GRV X GRV	4800-OLBF	\$31,203.00
6-375ASTDARFG-A	6" 375 RPDA SS Body W/spool Gal Mtr OSY Gates FLG X GRV	4800-OLBF	\$28,390.00
6-375ASTDARNRS-LV-A	6" 375 RPDA SS Body W/spool Gal Mtr NRS Gates FLG X FLG LAS VEGAS ONLY	4800-OLBF	\$28,390.00
6-375ASTDASTCFM	6" 375 RPDA SS Body Sensus CU Ft Mtr OSY Gates SS Hardware FLG X FLG	4800-OLBF	\$35,933.00
6-375ASTFEG	6" 375 RP SS Body NRS Gates FLG X GRV	4800-OLBF	\$23,303.00
6-375ASTFSC-AG	6" 375 RP SS Body NRS Gates FLG Strnr FLG X FLG W/Air Gap	4800-OLBF	\$28,100.00
6-375ASTFSCFG-AG	6" 375 RP SS Body NRS Gates FLG Strnr FLG X GRV W/Air Gap	4800-OLBF	\$28,100.00
6-375ASTG-AG	6" 375 RP SS Body NRS Gates GRV X GRV W/Air Gap	4800-OLBF	\$23,818.00
6-375ASTL	6" 375 RP SS Body Less outlet Shutoff X NRS FLG X FLG	4800-OLBF	\$21,770.00
6-375ASTLBS	6" 375 RP SS Body Less Shutoff BS Grv X Grv BS grooves	4800-OLBF	\$19,227.00
6-375ASTOSY-AG	6" 375 RP SS Body OSY Gates FLG X FLG W/Air Gap	4800-OLBF	\$24,920.00

6-375ASTRL2-A	6" 375 RP SS Body W/spool Less outlet Shutoff x NRS FLG X FLG	4800-OLBF	\$22,314.00
6-375ASTRW1-A	6" 375 RP SS Body W/spool, Wireless Monitor, NRS Gates FLG X FLG	4800-OLBF	\$28,507.00
6-375ASTST	6" 375 RP SS Body NRS Gates SS Hardware FLG X FLG	4800-OLBF	\$27,172.00
6-375ASTW1BF	6" 375 RP W/Wireless Monitor SS Body Bfly FLG X FLG	4800-OLBF	\$28,444.00
6-375ASTW1BG	6" 375 RP W/Wireless Monitor SS Body Bfly GRV X GRV	4800-OLBF	\$27,963.00
6-375ASTW1OSY	6" 375 RP W/Wireless Monitor SS Body OSY Gates FLG X FLG	4800-OLBF	\$29,285.00
6-375AW1BG	6" 375 RP W/Wireless Monitor DI Body Bfly GRV X GRV	4800-OLBF	\$30,427.00
6-375DAHI	6" 375 RPDA DI Body Gal Mtr OSY Gates FLG X FLG	4800-OLBF	\$27,846.00
6-375DARH	6" 375 RPDA DI Body Gal Mtr OSY Gates Rht Hand GV FLG X FLG	4800-OLBF	\$34,794.00
6-375FSC-AG	6" 375 RP DI Body NRS Gates FLG Strmr FLG X FLG W/Air Gap	4800-OLBF	\$28,100.00
6-375LGB	6" 375 RP DI Body Less ShutoffGB Flg & Thrds China	4800-OLBF	\$19,227.00
6-375OSYRH	6" 375 RP DI Body OSY Gates Rht Hand GV FLG X FLG	4800-OLBF	\$28,437.00
6-375W1OSY	6" 375 RP W/Wireless Monitor DI Body OSY Gates FLG X FLG	4800-OLBF	\$29,285.00
65-375SPE	2-1/2" (65mm) 375 RP SS Coated Body Less Shutoff Table E FLG X FLG	4800-OLBF	\$11,150.00
80-375SPE	3" (80mm) 375 RP SS Coated Body Less Shutoff Table E FLG X FLG	4800-OLBF	\$11,150.00
8-375ABPIG	8" 375 RP DI Body Bfly X Post Ind GRV X GRV	4800-OLBF	\$52,518.00
8-375ADACMBF	8" 375 RPDA DI Body CU Ft Mtr Bfly FLG X FLG	4800-OLBF	\$51,279.00
8-375ADACMM	8" 375 RPDA DI Body CU Mtr Mtr OSY Gates FLG X FLG	4800-OLBF	\$51,714.00
8-375ADACMMBG	8" 375 RPDA DI Body CU Mtr Mtr Bfly GRV X GRV	4800-OLBF	\$65,091.00
8-375ADALM	8" 375 RPDA DI Body Gal Mtr Less Shutoff Less Water Meter GRV X GRV	4800-OLBF	\$35,028.00
8-375ADALMBG	8" 375 RPDA DI Body Less Mtr Bfly GRV X GRV	4800-OLBF	\$54,077.00
8-375ADALMNYCBG	8" 375 RPDA DI Body Less Mtr NYC Bfly GRV X GRV	4800-OLBF	\$65,091.00
8-375AFSC-AG	8" 375A RP DI Body NRS Gates FLG Strmr FLG X FLG w/ Air Gap	4800-OLBF	\$54,050.00
8-375ALDAL	8" 375 RPDA Less DA DI Body Less Shutoff FLG X FLG	4800-OLBF	\$42,851.00
8-375AOSYBG	8" 375 RP DI Body OSY X Bfly GRV X GRV	4800-OLBF	\$52,518.00
8-375ASTBF-AG	8" 375 RP SS Body Bfly FLG X FLG W/Air Gap	4800-OLBF	\$54,438.00
8-375ASTDACFMFG	8" 375 RPDA SS Body CU Ft Mtr OSY Gates FLG X GRV	4800-OLBF	\$51,714.00
8-375ASTDACFMG	8" 375 RPDA SS Body CU Ft Mtr OSY Gates GRV X GRV	4800-OLBF	\$51,714.00
8-375ASTDACFMPBG	8" 375 RPDA SS Body CU Ft Mtr Post Ind X Bfly GRV X GRV	4800-OLBF	\$48,029.00
8-375ASTDACFMRV	8" 375 RPDA SS Body CU Ft Mtr OSY Gates FLG X FLG Rev. By-Pass	4800-OLBF	\$51,713.00
8-375ASTDACMM	8" 375 RPDA SS Body CU Mtr Mtr OSY Gates FLG X FLG	4800-OLBF	\$59,118.00
8-375ASTDACMMBG	8" 375 RPDA SS Body CU Mtr Mtr Bfly GRV X GRV	4800-OLBF	\$65,091.00
8-375ASTDAFG	8" 375 RPDA SS Body Gal Mtr OSY Gates FLG X GRV	4800-OLBF	\$51,714.00
8-375ASTDAFGRV	8" 375 RPDA SS Body Gal Mtr OSY Gates FLG X GRV by-pass on Right side	4800-OLBF	\$51,714.00
8-375ASTDAG	8" 375 RPDA SS Body Gal Mtr OSY Gates GRV X GRV	4800-OLBF	\$51,714.00
8-375ASTDAGF	8" 375 RPDA SS Body Gal Mtr OSY Gates GRV X FLG	4800-OLBF	\$51,714.00
8-375ASTDALM	8" 375 RPDA SS Body Less Mtr OSY Gates FLG X FLG	4800-OLBF	\$50,924.00
8-375ASTDALMNYCBG	8" 375 RPDA SS Body Less Mtr NYC Bfly GRV X GRV	4800-OLBF	\$56,149.00
8-375ASTDANRS-LV	8" 375 RPDA SS Body Gal Mtr NRS Gates FLG X FLG LAS VEGAS ONLY	4800-OLBF	\$51,714.00
8-375ASTDANRSRV-LV	8" 375 RPDA SS Body Gal Mtr NRS Gates Flg X Flg Rev. By-Pass LAS VEGAS ONLY	4800-OLBF	\$51,714.00
8-375ASTDAPI	8" 375 RPDA SS Body Gal Mtr Post Ind X Post Ind	4800-OLBF	\$51,714.00
8-375ASTDARBFA	8" 375 RPDA SS BODY W/SPOOL BFLY FLG X FLG	4800-OLBF	\$58,653.00
8-375ASTDARBG-A	8" 375 RPDA SS Body W/Spool Gal Mtr Bfly GRV X GRV	4800-OLBF	\$55,593.00
8-375ASTDARCFM-A	8" 375 RPDA SS Body W/spool CU Ft Mtr OSY Gates FLG X FLG	4800-OLBF	\$52,394.00
8-375ASTDARCFMFB-A	8" 375 RPDA SS Body W/spool CU Ft Mtr BFLY FLG X FLG	4800-OLBF	\$58,653.00
8-375ASTDARCFMVR-A	8" 375 RPDA SS Body W/spool CU Ft Mtr OSY Gates FLG X FLG Rev. By-Pass	4800-OLBF	\$52,394.00
8-375ASTDARPI-A	8" 375 RPDA SS Body W/Spool Post Ind X Post Ind	4800-OLBF	\$52,394.00
8-375ASTDARV	8" 375 RPDA SS Body Gal Mtr OSY Gates FLG X FLG Rev. By-Pass	4800-OLBF	\$51,714.00
8-375ASTDASTCFM	8" 375 RPDA SS Body Sensus CU Ft Mtr OSY Gates SS Hardware FLG X FLG	4800-OLBF	\$60,261.00
8-375ASTFG	8" 375 RP SS Body NRS Gates FLG X GRV	4800-OLBF	\$44,547.00
8-375ASTFSC	8" 375 RP SS Body NRS Gates Flng X Flng w/ Epoxy Coated Strmr Flngd	4800-OLBF	\$53,051.00
8-375ASTG	8" 375 RP SS Body NRS Gates GRV X GRV	4800-OLBF	\$44,547.00
8-375ASTL	8" 375 RP SS Body Less Shutoff GRV X GRV	4800-OLBF	\$35,516.00
8-375ASTOSY-AG	8" 375 RP SS Body OSY Gates FLG X FLG W/Air Gap	4800-OLBF	\$47,613.00
8-375ASTOSYFG	8" 375 RP SS Body OSY Gates FLG X GRV	4800-OLBF	\$46,773.00
8-375ASTRBGA	8" 375 RP SS Body W/spool Bfly GRV X GRV	4800-OLBF	\$54,138.00
8-375ASTRW1OSY-A	8" 375 RP W/Wireless Monitor SS Body W/spool OSY Gates FLG X FLG	4800-OLBF	\$56,805.00
8-375ASTST	8" 375 RP SS Body NRS Gates SS Hardware FLG X FLG	4800-OLBF	\$47,864.00
8-375ASTW1	8" 375 RP W/Wireless Monitor SS Body NRS Gates GXF	4800-OLBF	\$46,884.00
8-375ASTW1FCOSY-AG	8" 375 RP W/Wireless Monitor FCIS SS Body OSY Gates FLG X FLG w/Air Gap	4800-OLBF	\$13,113.00
8-375ASTW1OSY	8" 375 RP W/Wireless Monitor SS Body OSY Gates FLG X FLG	4800-OLBF	\$56,124.00
8-375DACFMRH	8" 375 RPDA DI Body CU Ft Mtr Rht Hand OSY Gates FLG X FLG	4800-OLBF	\$51,714.00
8-375DAHI	8" 375 RPDA DI Body Gal Mtr OSY Gates FLG X FLG	4800-OLBF	\$51,714.00
8-375DALCFM	8" 375 RPDA DI Body CU Ft Mtr Less Shutoff FLG X FLG	4800-OLBF	\$36,122.00
8-375DALMBSE	8" 375 RPDA DI Body Less Mtr & Shutoff Vlv8 BS Table E FLG X FLG	4800-OLBF	\$29,412.00
8-375LGB	8" 375 RP DI Body Less ShutoffGB Flg & Thrds China	4800-OLBF	\$35,671.00
8-375OSY-AG	8" 375 RP DI Body OSY Gates FLG X FLG W/Air Gap	4800-OLBF	\$47,613.00
RK112-375BV1	1-1/2" 375 INLET BALL VALVE	4800-PART	\$359.00
RK112-375BV2	1-1/2" 375 OUTLET BALL VALVE	4800-PART	\$359.00
RK114-375BV1	1-1/4" 375 INLET BALL VALVE	4800-PART	\$351.00
RK114-375BV2	1-1/4" 375 OUTLET BALL VALVE	4800-PART	\$351.00
RK12IN-375DA-BP	REPAIR KIT, BY-PASS ASSY. 12" 375DA W/METER NO APPROVALS	4800-PART	\$3,702.00
RK1-375BV2	1" 375 OUTLET BALL VALVE NON-POTABLE	4800-PART	\$163.00
RK1-375-BV2	REPAIR KIT, OUTLET BALL VALVE, 1" 375	4800-PART	\$175.00
RK2-375BV1	2" 375 INLET BALL VALVE	4800-PART	\$392.00
RK2-375BV2	2" 375 OUTLET BALL VALVE	4800-PART	\$536.00
RK34-375BV2	3/4" 375 OUTLET BALL VALVE	4800-PART	\$120.00

RK8-RV375AST-HOSE	REPAIR KIT, RELIEF VALVE HOSE, 8" - 10" 375AST(DA)	4800-PART	\$144.00
RK8-RV-COVER	REPAIR KIT, RELIEF VALVE COVER, 8" - 10" 375/375A/375ADA/375DA	4800-PART	\$808.00
RK8-RV-HOSE	REPAIR KIT, SS BRAIDED HOSE 3/8" X 12" LONG, 8"-10" 375(A)(DA)(ADA)	4800-PART	\$101.00
10-FLS	Setter, Flanged x Flanged	4800-LBFA	\$7,514.00
10-FLST	10" SETTER FLG X FLG Fits 4XXST Models	4800-LBFA	\$6,969.00
10-FP23F	10" Grooved Coupling, Flexible, UL/FM, 300 psi	4800-UGCF	\$226.00
10-MJFS	Setter, Flanged x Mechanical Joint	4800-LBFA	\$7,630.00
10-MJFST	10" SETTER MJ X FLG Fits 4XXST Models	4800-LBFA	\$7,630.00
10-MJS	Setter, Mechanical Joint x Mechanical Joint	4800-LBFA	\$7,630.00
10-MJST	10" SETTER MJ X MJ Fits 4XXST Models	4800-LBFA	\$7,073.00
212-FLS	Setter, Flanged x Flanged	4800-LBFA	\$2,318.00
3-FLS	Setter, Flanged x Flanged	4800-LBFA	\$2,318.00
3-MJFS	Setter, Flanged x Mechanical Joint	4800-LBFA	\$2,244.00
3-MJS	Setter, Mechanical Joint x Mechanical Joint	4800-LBFA	\$2,244.00
4-FLS	Setter, Flanged x Flanged	4800-LBFA	\$2,876.00
4-FLST	4" SETTER FLG X FLG Fits 4XXST Models	4800-LBFA	\$2,669.00
4-MJFS	Setter, Flanged x Mechanical Joint	4800-LBFA	\$2,796.00
4-MJFST	4" SETTER MJ X FLG Fits 4XXST Models	4800-LBFA	\$2,593.00
4-MJS	Setter, Mechanical Joint x Mechanical Joint	4800-LBFA	\$2,593.00
4-MJST	4" SETTER MJ X MJ Fits 4XXST Models	4800-LBFA	\$2,593.00
6-FLS	Setter, Flanged x Flanged	4800-LBFA	\$4,088.00
6-FLST	6" SETTER FLG X FLG Fits 4XXST Models	4800-LBFA	\$4,088.00
6-MJFS	Setter, Flanged x Mechanical Joint	4800-LBFA	\$4,013.00
6-MJFST	6" SETTER MJ X FLG Fits 4XXST Models	4800-LBFA	\$4,013.00
6-MJS	Setter, Mechanical Joint x Mechanical Joint	4800-LBFA	\$4,013.00
6-MJST	6" SETTER MJ X MJ Fits 4XXST Model	4800-LBFA	\$4,013.00
8-FLS	Setter, Flanged x Flanged	4800-LBFA	\$4,713.00
8-FLST	8" SETTER FLG X FLG Fits 4XXST Models	4800-LBFA	\$4,713.00
8-MJFS	Setter, Flanged x Mechanical Joint	4800-LBFA	\$4,848.00
8-MJFST	8" SETTER MJ X FLG Fits 4XXST Models	4800-LBFA	\$5,227.00
8-MJS	Setter, Mechanical Joint x Mechanical Joint	4800-LBFA	\$4,848.00
8-MJST	8" SETTER MJ X MJ Fits 4XXST Models	4800-LBFA	\$4,848.00
PKI-RK12-420FK	RK CLAMHELL INSERT	4800-PART	\$20.00
RK12-420	Repair Kit - 420 Complete	4800-PART	\$104.00
RK12-420FK	Repair Kit - 420 Poppet/ Bonnet	4800-PART	\$61.00
RK12-420FKPK	REP KIT, 1/2" 420 FRZ PRO-KITREPKIT12" 420FRZPROKI	4800-PART	\$61.00
RK12-420PK	REP KIT, 1/2" 420 PRO-KITREPKIT12" 420PROKIT	4800-PART	\$104.00
RK12-420R	Repair Kit - 420 (Rubber)	4800-PART	\$54.00
RK1-420	Repair Kit - 420 Complete	4800-PART	\$135.00
RK1-420FK	Repair Kit - 420 Poppet/ Bonnet	4800-PART	\$74.00
RK1-420FKPK	REP KIT, 1" 420 FRZ PRO-KITREPKIT11" 420FRZPROKIT	4800-PART	\$74.00
RK1-420R	Repair Kit - 420 (Rubber)	4800-PART	\$56.00
10-450	Double Check Valve Assy, Lead-Free, N-Pattern, Flanged NRS x Flanged NRS	4800-OLBF	\$61,713.00
10-450BG	10" 450 W/BFLY GXG LEAD FREE	4800-OLBF	\$66,580.00
10-450DAHI	10" 450 DCDA DI Body Gal Mtr OSY Gates FLG X FLG Hawaii	4800-OLBF	\$76,950.00
10-450L	Double Check Valve Assy, Lead-Free, N-Pattern, Grooved x Grooved, Less Gate Valves	4800-OLBF	\$42,667.00
10-450OSY	Double Check Valve Assy, Lead-Free, N-Pattern, Flanged OSY x Flanged OSY	4800-OLBF	\$62,051.00
10-450OSYG	Double Check Valve Assy, Lead-Free, N-Pattern, Grooved OSY x Grooved OSY	4800-OLBF	\$62,051.00
10-450ST	10" 450 DC SS Body N pattern NRS Gates FLG X FLG	4800-OLBF	\$68,764.00
10-450STBF	10" 450 DC SS BODY BFLY FLG X FLG	4800-OLBF	\$72,319.00
10-450STDA	10" 450 DCDA SS Body N pattern OSY Gates FLG X FLG	4800-OLBF	\$74,446.00
10-450STOSY	10" 450 DC SS Body N pattern OSY Gates GRV X FLG	4800-OLBF	\$69,138.00
10-450STIR	10" 450 DC SS N pattern W/spool NRS Gates FLG X FLG	4800-OLBF	\$70,474.00
10-450STROSY	10" 450 DC SS N pattern W/spool OSY Gates FLG X FLG	4800-OLBF	\$74,672.00
212-450	Double Check Valve Assy, Lead-Free, N-Pattern, Flanged NRS x Flanged NRS	4800-OLBF	\$9,785.00
212-450FSC	Double Check Valve Assy, Lead-Free, N-Pattern, Flanged NRS x Flanged NRS, Epoxy Coated Strainer	4800-OLBF	\$11,133.00
212-450G	Double Check Valve Assy, Lead-Free, N-Pattern, Grooved NRS x Grooved NRS	4800-OLBF	\$9,785.00
212-450L	Double Check Valve Assy, Lead-Free, N-Pattern, Grooved x Grooved, Less Gate Valves	4800-OLBF	\$8,034.00
212-450OSY	Double Check Valve Assy, Lead-Free, N-Pattern, Flanged OSY x Flanged OSY	4800-OLBF	\$11,369.00
212-450OSYFG	Double Check Valve Assy, Lead-Free, N-Pattern, Flanged OSY x Grooved OSY	4800-OLBF	\$11,369.00
212-450OSYG	Double Check Valve Assy, Lead-Free, N-Pattern, Grooved OSY x Grooved OSY	4800-OLBF	\$11,369.00
212-450OSYGF	Double Check Valve Assy, Lead-Free, N-Pattern, Grooved OSY x Flanged OSY	4800-OLBF	\$11,369.00
3-450	Double Check Valve Assy, Lead-Free, N-Pattern, Flanged NRS x Flanged NRS	4800-OLBF	\$10,304.00
3-450FG	Double Check Valve Assy, Lead-Free, N-Pattern, Flanged NRS x Grooved NRS	4800-OLBF	\$10,304.00
3-450G	Double Check Valve Assy, Lead-Free, N-Pattern, Grooved NRS x Grooved NRS	4800-OLBF	\$10,304.00
3-450L	Double Check Valve Assy, Lead-Free, N-Pattern, Grooved x Grooved, Less Gate Valves	4800-OLBF	\$8,041.00
3-450OSY	Double Check Valve Assy, Lead-Free, N-Pattern, Flanged OSY x Flanged OSY	4800-OLBF	\$11,841.00
3-450OSYFG	Double Check Valve Assy, Lead-Free, N-Pattern, Flanged OSY x Grooved OSY	4800-OLBF	\$11,841.00
3-450OSYG	Double Check Valve Assy, Lead-Free, N-Pattern, Grooved OSY x Grooved OSY	4800-OLBF	\$11,841.00
3-450OSYGF	Double Check Valve Assy, Lead-Free, N-Pattern, Grooved OSY x Flanged OSY	4800-OLBF	\$11,841.00
4-450	Double Check Valve Assy, Lead-Free, N-Pattern, Flanged NRS x Flanged NRS	4800-OLBF	\$15,102.00
4-450BF	Flanged BF x Flanged BF	4800-OLBF	\$18,576.00
4-450BG	4" 450 W/BFLY VLV8 LEAD FREE	4800-OLBF	\$17,731.00
4-450DABPIGF	4" 450 DCDA DI Body Gal Mtr Bfly X Post Ind GRV X FLG	4800-OLBF	\$20,416.00
4-450DACFMBG	4" 450 DCDA DI Body CU Ft Mtr Bfly GRV X GRV	4800-OLBF	\$19,610.00

4-450DAHI	4" 450 DCDA DI Body Gal Mtr OSY Gates FLG X FLG Hawaii	4800-OLBF	\$19,511.00
4-450DAPIOSY	4" 450 DCDA DI Body Gal Mtr Post Ind X OSY FLG X FLG	4800-OLBF	\$17,811.00
4-450FG	Double Check Valve Assy, Lead-Free, N-Pattern, Flanged NRS x Grooved NRS	4800-OLBF	\$15,102.00
4-450G	Double Check Valve Assy, Lead-Free, N-Pattern, Grooved NRS x Grooved NRS	4800-OLBF	\$15,102.00
4-450GF	Double Check Valve Assy, Lead-Free, N-Pattern, Grooved NRS x Flanged NRS	4800-OLBF	\$15,102.00
4-450L	Double Check Valve Assy, Lead-Free, N-Pattern, Grooved x Grooved, Less Gate Valves	4800-OLBF	\$9,828.00
4-450OSY	Double Check Valve Assy, Lead-Free, N-Pattern, Flanged OSY x Flanged OSY	4800-OLBF	\$15,711.00
4-450OSYFG	Double Check Valve Assy, Lead-Free, N-Pattern, Flanged OSY x Grooved OSY	4800-OLBF	\$15,711.00
4-450OSYVG	Double Check Valve Assy, Lead-Free, N-Pattern, Grooved OSY x Grooved OSY	4800-OLBF	\$15,711.00
4-450OSYGF	Double Check Valve Assy, Lead-Free, N-Pattern, Grooved OSY x Flanged OSY	4800-OLBF	\$15,711.00
4-450OSYPIG	Double Check Valve Assy, Lead-Free, N-Pattern, Grooved OSY x Grooved PI	4800-OLBF	\$15,711.00
4-450PIBG	4" 450 DC DI Body Post Ind X Bfly GRV X GRV	4800-OLBF	\$16,267.00
4-450PIOSY	Double Check Valve Assy, Lead-Free, N-Pattern, Grooved PI x Grooved OSY	4800-OLBF	\$15,711.00
4-450ST	4" 450 DC SS Body N pattern NRS Gates FLG X FLG	4800-OLBF	\$16,824.00
4-450STBF	4" 450 DC SS BODY BFLY FLG X FLG	4800-OLBF	\$17,475.00
4-450STDA	4" 450 DCDA SS Body N pattern OSY Gates FLG X FLG	4800-OLBF	\$19,340.00
4-450STDAFB	4" 450 DCDA SS BODY BFLY FLG X FLG	4800-OLBF	\$21,440.00
4-450STDABG	4" 450 DCDA SS BODY BFLY GRV X GRV	4800-OLBF	\$19,340.00
4-450STDALMNYC	4" 450 DCDA SS Body N pattern Less Mtr NYC OSY Gates FLG X FLG	4800-OLBF	\$18,546.00
4-450STDAR	4" 450 DCDA SS Body N pattern W/spool OSY Gates FLG X FLG	4800-OLBF	\$19,728.00
4-450STDARCFM	4" 450 DCDA SS Body N Pattern w/Spool CU Ft Mtr Osy Gates FLG X FLG	4800-OLBF	\$19,728.00
4-450STOSY	4" 450 DC SS Body N pattern OSY Gates GRV X FLG	4800-OLBF	\$17,508.00
4-450STR	4" 450 DC SS N pattern W/spool NRS Gates FLG X FLG	4800-OLBF	\$17,230.00
4-450STROSY	4" 450 DC SS N pattern W/spool OSY Gates FLG X FLG	4800-OLBF	\$17,475.00
6-450	Double Check Valve Assy, Lead-Free, N-Pattern, Flanged NRS x Flanged NRS	4800-OLBF	\$22,179.00
6-450BF	Flanged BF x Flanged BF	4800-OLBF	\$27,409.00
6-450BG	6" 450 W/ BFLY VLVS LEAD FREE	4800-OLBF	\$26,285.00
6-450DAHI	6" 450 DCDA DI Body Gal Mtr OSY Gates FLG X FLG Hawaii	4800-OLBF	\$27,707.00
6-450DALCFM	6" 450 DCDA DI Body CU Ft Mtr Less Shutoff FLG X FLG	4800-OLBF	\$19,054.00
6-450DALMNYCBG	6" 450 DCDA DI Body Less Mtr NYC Bfly GRV X GRV	4800-OLBF	\$29,709.00
6-450DALMNYCFG	6" 450 DCDA DI Body Less Mtr NYC OSY Gates FLG X GRV	4800-OLBF	\$26,912.00
6-450DALMNYCG	6" 450 DCDA DI Body Less Mtr NYC OSY Gates GRV X GRV	4800-OLBF	\$25,633.00
6-450FG	Double Check Valve Assy, Lead-Free, N-Pattern, Flanged NRS x Grooved NRS	4800-OLBF	\$22,179.00
6-450G	Double Check Valve Assy, Lead-Free, N-Pattern, Grooved NRS x Grooved NRS	4800-OLBF	\$22,179.00
6-450GF	Double Check Valve Assy, Lead-Free, N-Pattern, Grooved NRS x Flanged NRS	4800-OLBF	\$22,179.00
6-450L	Double Check Valve Assy, Lead-Free, N-Pattern, Grooved x Grooved, Less Gate Valves	4800-OLBF	\$15,798.00
6-450OSY	Double Check Valve Assy, Lead-Free, N-Pattern, Flanged OSY x Flanged OSY	4800-OLBF	\$22,615.00
6-450OSYFG	Double Check Valve Assy, Lead-Free, N-Pattern, Flanged OSY x Grooved OSY	4800-OLBF	\$22,615.00
6-450OSYVG	Double Check Valve Assy, Lead-Free, N-Pattern, Grooved OSY x Grooved OSY	4800-OLBF	\$22,615.00
6-450OSYGF	Double Check Valve Assy, Lead-Free, N-Pattern, Grooved OSY x Flanged OSY	4800-OLBF	\$22,615.00
6-450OSYPI	6" 450 DC DI Body OSY X Post Ind FLG X FLG	4800-OLBF	\$22,615.00
6-450OSYST	6" 450 DC OSY GATES SS HARDWARE	4800-OLBF	\$23,885.00
6-450PIBG	6" 450 DC POST IND X BFLY GRV X GRV	4800-OLBF	\$26,898.00
6-450ST	6" 450 DC SS Body N pattern NRS Gates FLG X FLG	4800-OLBF	\$24,713.00
6-450STBG	6" 450 DC SS BODY BFLY GRV X GRV	4800-OLBF	\$25,840.00
6-450STDA	6" 450 DCDA SS Body N pattern OSY Gates FLG X FLG	4800-OLBF	\$27,699.00
6-450STDACFM	6" 450 DCDA SS Body CU Ft Mtr OSY Gates FLG X FLG	4800-OLBF	\$27,699.00
6-450STDACFMBG	6" 450 DCDA SS Body CU Ft Mtr Bfly GRV X GRV	4800-OLBF	\$27,413.00
6-450STDALMBG	6" 450 DCDA SS Body Less Mtr Bfly Grv X Grv	4800-OLBF	\$31,241.00
6-450STDAR	6" 450 DCDA SS Body N pattern W/spool OSY Gates FLG X FLG	4800-OLBF	\$28,100.00
6-450STDARBFB	6" 450 DCDA SS Body N pattern W/spool BFLY FLG X FLG	4800-OLBF	\$28,100.00
6-450STDARCFM	6" 450 DCDA SS Body W/spool CU Ft Mtr OSY Gates FLG X FLG	4800-OLBF	\$28,100.00
6-450STDARLMBG	6" 450 DCDA SS Body N pattern W/spool Bfly GRV X GRV	4800-OLBF	\$28,100.00
6-450STFG	6" 450 DC SS Body N pattern NRS Gates FLG X GRV	4800-OLBF	\$24,713.00
6-450STOSY	6" 450 DC SS Body N pattern OSY Gates GRV X FLG	4800-OLBF	\$25,195.00
6-450STOSYVG	6" 450 DC SS Body N Pattern OSY Gates GRV X GRV	4800-OLBF	\$25,195.00
6-450STR	6" 450 DC SS N pattern W/spool NRS Gates FLG X FLG	4800-OLBF	\$25,147.00
6-450STROSY	6" 450 DC SS N pattern W/spool OSY Gates FLG X FLG	4800-OLBF	\$26,922.00
8-450	Double Check Valve Assy, Lead-Free, N-Pattern, Flanged NRS x Flanged NRS	4800-OLBF	\$38,315.00
8-450BF	Flanged BF x Flanged BF	4800-OLBF	\$46,287.00
8-450BFG	Flanged BF x Grooved BG	4800-OLBF	\$46,287.00
8-450BG	8" 450 W/BFLY VLVS LEAD FREE	4800-OLBF	\$45,164.00
8-450DACFMBF	8" 450 DCDA CU Ft MTR BFLY FLG X FLG	4800-OLBF	\$54,008.00
8-450DACFMBG	8" 450 DCDA DI Body CU Ft Mtr Bfly GRV X GRV	4800-OLBF	\$52,829.00
8-450DAHI	8" 450 DCDA DI Body Gal Mtr OSY Gates FLG X FLG Hawaii	4800-OLBF	\$48,199.00
8-450DALMNYCBG	8" 450 DCDA DI Body Less Mtr NYC Bfly GRV X GRV	4800-OLBF	\$52,269.00
8-450DANRS-LV	8" 450 DCDA DI Body Gal Mtr NRS Gates Flng X Flng LAS VEGAS ONLY	4800-OLBF	\$46,435.00
8-450DAPIBG	8" 450 DCDA DI Body Gal Mtr Post Ind X Bfly GRV X GRV	4800-OLBF	\$53,065.00
8-450OSY	Double Check Valve Assy, Lead-Free, N-Pattern, Flanged OSY x Flanged OSY	4800-OLBF	\$40,430.00
8-450OSYFG	Double Check Valve Assy, Lead-Free, N-Pattern, Flanged OSY x Grooved OSY	4800-OLBF	\$40,430.00

8-450OSYVG	Double Check Valve Assy, Lead-Free, N-Pattern, Grooved OSY x Grooved OSY	4800-OLBF	\$40,430.00
8-450OSYPIG	Double Check Valve Assy, Lead-Free, N-Pattern, Grooved OSY x Grooved PI	4800-OLBF	\$40,430.00
8-450PIBG	8" 450 DC DI Body Post Ind X Bfly GRV X GRV	4800-OLBF	\$45,209.00
8-450ST	8" 450 DC SS Body N pattern NRS Gates FLG X FLG	4800-OLBF	\$42,691.00
8-450STBF	8" 450 DC SS BODY BFLY FLG X FLG	4800-OLBF	\$45,057.00
8-450STDA	8" 450 DCDA SS Body N pattern OSY Gates FLG X FLG	4800-OLBF	\$52,097.00
8-450STDABF	8" 450 DCDA SS BODY BFLY FLG X FLG	4800-OLBF	\$52,884.00
8-450STDABF-RV	8" 450 DCDA SS BODY BFLY FLG X FLG By-Pass and Shut off on Reverse side	4800-OLBF	\$52,884.00
8-450STDABG	8" 450 DCDA SS Body N pattern Bfly GRV X GRV	4800-OLBF	\$52,884.00
8-450STDABGRV	8" 450 DCDA SS Body N pattern Bfly GRV X GRV By-Pass and Shut off on Right side	4800-OLBF	\$52,884.00
8-450STDACFM	8" 450 DCDA SS Body CU Ft Mtr OSY Gates FLG X FLG	4800-OLBF	\$52,097.00
8-450STDACFMBG	8" 450 DCDA SS Body CU Ft Mtr Bfly GRV X GRV	4800-OLBF	\$40,630.00
8-450STDALMNYC	8" 450 DCDA SS Body N pattern Less Mtr NYC OSY Gates FLG X FLG	4800-OLBF	\$51,303.00
8-450STDALMNYCBG	8" 450 DCDA SS Body N pattern Less Mtr NYC Bfly GRV X GRV	4800-OLBF	\$51,657.00
8-450STDANRS-LV	8" 450 DCDA SS Body N Pattern NRS Gates Flng X Flng LAS VEGAS ONLY	4800-OLBF	\$48,990.00
8-450STDAOSYBFG	8" 450 DCDA SS Body N Pattern OSY X Bfly Gates FLG X GRV	4800-OLBF	\$52,450.00
8-450STDAR	8" 450 DCDA SS Body N pattern W/spool OSY Gates FLG X FLG	4800-OLBF	\$53,511.00
8-450STDARCFM	8" 450 DCDA SS Body W/spool CU Ft Mtr OSY Gates FLG X FLG	4800-OLBF	\$53,511.00
8-450STDA-RV	8" 450 DCDA SS Body N Pattern OSY Gates FLG X FLG ByPas and Shut off on Rev side	4800-OLBF	\$51,641.00
8-450STOSY	8" 450 DC SS Body N pattern OSY Gates GRV X FLG	4800-OLBF	\$45,056.00
8-450STR	8" 450 DC SS N pattern W/spool NRS Gates FLG X FLG	4800-OLBF	\$44,042.00
8-450STROSY	8" 450 DC SS N pattern W/spool OSY Gates FLG X FLG	4800-OLBF	\$46,405.00
8-475	Reduced Pressure Principle Assy, Lead-Free, N-Pattern, Flanged NRS x Flanged NRS	4800-OLBF	\$53,292.00
RK4-450STCK4	REPAIR KIT, CHECK ASSY, 4" 450ST #1 -OR- 450STDA #1 -OR- 475ST #2	4800-PART	\$787.00
RK4-450STDA-BP-LM	REPAIR KIT, BY-PASS, 4" 450STDA Less Mtr	4800-PART	\$2,305.00
RK6-450STCK4	REPAIR KIT, CHECK ASSY, 6" 450ST #1 -OR- 450STDA #1 -OR- 475ST #2	4800-PART	\$1,022.00
RK6-450STDA-BP-LM	REPAIR KIT, BY-PASS, 6" 450STDA Less Mtr	4800-PART	\$2,432.00
RK8-450STCK1	REPAIR KIT, CHECK ASSY, 8" -10" 450ST(DA) #1	4800-PART	\$2,422.00
RK8-450STDA-BP-LM	REPAIR KIT, BY-PASS, 8" 450STDA Less Mtr	4800-PART	\$2,503.00
RK8-450STDAK2	REPAIR KIT, CHECK ASSY, 8" -10" 475STDA/450STDA #2	4800-PART	\$2,930.00
12-460XLBT	1/2" 460XL W/BSPT THREADS	4800-00VB	\$1,205.00
RK12-460	Repair Kit - 460 Complete	4800-PART	\$117.00
RK12-460R	Repair Kit - 460 (Rubber)	4800-PART	\$74.00
RK1-460	Repair Kit - 460 Complete	4800-PART	\$214.00
RK1-460R	Repair Kit - 460 (Rubber)	4800-PART	\$109.00
10-475	Reduced Pressure Principle Assy, Lead-Free, N-Pattern, Flanged NRS x Flanged NRS	4800-OLBF	\$74,574.00
10-475BG	10" 475 W/ BFLY VLVS LEAD FREE	4800-OLBF	\$79,209.00
10-475DVG	10" 475 RPDA DI Body Vert Gal Mtr OSY Gates GRV X GRV	4800-OLBF	\$81,673.00
10-475DAVL	10" 475 RPDA VERT LESS SHUTOFF	4800-OLBF	\$68,182.00
10-475L	Reduced Pressure Principle Assy, Lead-Free, N-Pattern, Grooved x Grooved, Less Gate Valves	4800-OLBF	\$54,723.00
10-475OSY	Reduced Pressure Principle Assy, Lead-Free, N-Pattern, Flanged OSY x Flanged OSY	4800-OLBF	\$77,424.00
10-475OSYVG	10" 475 RP DI Body N pattern OSY Gates GRV X GRV	4800-OLBF	\$77,424.00
10-475PI	10" 475 RP POST IND X POST IND	4800-OLBF	\$77,424.00
10-475ST	10" 475 RP SS Body N pattern NRS Gates FLG X FLG	4800-OLBF	\$83,093.00
10-475STDA	10" 475 RPDA SS Body N pattern OSY Gates FLG X FLG	4800-OLBF	\$88,671.00
10-475STDABFG	10" 475 RPDA SS Body N pattern BFLY FLG X GRV	4800-OLBF	\$88,671.00
10-475STDACFM	10" 475 RPDA SS Body N Pattern CU Ft Mtr OSY Gates Flng X Flng	4800-OLBF	\$88,671.00
10-475STDAR	10" 475 RPDA SS Body N pattern W/spool OSY Gates FLG X FLG	4800-OLBF	\$90,363.00
10-475STDARNRS-LV	10" 475 RPDA SS Body N pattern W/spool NRS Gates FLG X FLG LAS VEGAS ONLY	4800-OLBF	\$88,671.00
10-475STOSY	10" 475 RP SS Body N pattern OSY Gates FLG X FLG	4800-OLBF	\$86,268.00
10-475STOSYVG	10" 475 RP SS Body N pattern OSY Gates GRV X GRV	4800-OLBF	\$86,268.00
10-475STOSYRV	10" 475 RP Reverse By-pass SS Body N pattern OSY Gates FLG X FLG	4800-OLBF	\$86,268.00
10-475STROSY	10" 475 RP SS Body N pattern W/spool OSY Gates FLG X FLG	4800-OLBF	\$86,200.00
10-475STVBF	10" 475 RP SS Body N pattern Vert Bfly Flg X Flg	4800-OLBF	\$83,093.00
10-475STVVG	10" 475 RP SS Body N pattern Vert NRS Gates GRV X GRV	4800-OLBF	\$83,093.00
10-475STVPIOSY	10" 475 RP SS Body Vert Post Ind X Post Ind OSY Gates GRV X GRV	4800-OLBF	\$83,941.00
10-475VBG	10" 475 V W/BFLY VLV LEAD FREE	4800-OLBF	\$79,209.00
10-475VOSYFG	10" 475 RP VERT OSY GATES FLG X GRV	4800-OLBF	\$77,424.00
212-475	Reduced Pressure Principle Assy, Lead-Free, N-Pattern, Flanged NRS x Flanged NRS	4800-OLBF	\$12,647.00
212-475BG	2-1/2" 475 RP DI Body N pattern Bfly GRV X GRV	4800-OLBF	\$16,982.00
212-475FG	Reduced Pressure Principle Assy, Lead-Free, N-Pattern, Flanged NRS x Grooved NRS	4800-OLBF	\$12,647.00
212-475G	Reduced Pressure Principle Assy, Lead-Free, N-Pattern, Grooved NRS x Grooved NRS	4800-OLBF	\$12,647.00
212-475L	Reduced Pressure Principle Assy, Lead-Free, N-Pattern, Grooved x Grooved, Less Gate Valves	4800-OLBF	\$8,906.00
212-475OSY	Reduced Pressure Principle Assy, Lead-Free, N-Pattern, Flanged OSY x Flanged OSY	4800-OLBF	\$13,707.00
212-475OSYFG	Reduced Pressure Principle Assy, Lead-Free, N-Pattern, Flanged OSY x Grooved OSY	4800-OLBF	\$12,647.00
212-475OSYVG	Reduced Pressure Principle Assy, Lead-Free, N-Pattern, Grooved OSY x Grooved OSY	4800-OLBF	\$12,647.00
212-475OSYGF	Reduced Pressure Principle Assy, Lead-Free, N-Pattern, Grooved OSY x Flanged OSY	4800-OLBF	\$12,647.00
212-475V-AG	2-1/2" 475 RP DI Body Vert NRS Gates FLG X FLG W/Air Gap	4800-OLBF	\$13,161.00
212-475VBG	2-1/2" 475 RP DI Body Vert Bfly GRV X GRV	4800-OLBF	\$16,982.00
212-475VPIG	2-1/2" 475 RP Vert Bfly X Post Ind Grv X Grv	4800-OLBF	\$15,628.00

3-475	Reduced Pressure Principle Assy, Lead-Free, N-Pattern, Flanged NRS x Flanged NRS	4800-OLBF	\$13,773.00
3-475BG	3" 475 RP DI Body N pattern Bfly GRV X GRV	4800-OLBF	\$18,302.00
3-475DA	3" 475 RPDA DI Body N pattern Gal Mtr OSY Gates FLG X FLG (No Approvals)	4800-OLBF	\$22,109.00
3-475DABG	3" 475 RPDA DI Body N pattern Gal Mtr Bfly GRV X GRV	4800-OLBF	\$24,188.00
3-475DACFM	3" 475 RPDA DI Body N pattern CU Ft Mtr OSY Gates FLG X FLG	4800-OLBF	\$22,109.00
3-475FG	Reduced Pressure Principle Assy, Lead-Free, N-Pattern, Flanged NRS x Grooved NRS	4800-OLBF	\$13,773.00
3-475G	Reduced Pressure Principle Assy, Lead-Free, N-Pattern, Grooved NRS x Grooved NRS	4800-OLBF	\$13,773.00
3-475L	Reduced Pressure Principle Assy, Lead-Free, N-Pattern, Grooved x Grooved, Less Gate Valves	4800-OLBF	\$9,825.00
3-475NRSOSY	Reduced Pressure Principle Assy, Lead-Free, N-Pattern, Flanged NRS x Flanged OSY	4800-OLBF	\$16,039.00
3-475OSY	Reduced Pressure Principle Assy, Lead-Free, N-Pattern, Flanged OSY x Flanged OSY	4800-OLBF	\$14,555.00
3-475OSYFG	Reduced Pressure Principle Assy, Lead-Free, N-Pattern, Flanged OSY x Grooved OSY	4800-OLBF	\$14,555.00
3-475OSYG	Reduced Pressure Principle Assy, Lead-Free, N-Pattern, Grooved OSY x Grooved OSY	4800-OLBF	\$14,555.00
3-475OSYGF	Reduced Pressure Principle Assy, Lead-Free, N-Pattern, Grooved OSY x Flanged OSY	4800-OLBF	\$14,555.00
3-475VBG	3" 475 RP DI Body Vert Bfly GRV X GRV	4800-OLBF	\$18,302.00
4-475	Reduced Pressure Principle Assy, Lead-Free, N-Pattern, Flanged NRS x Flanged NRS	4800-OLBF	\$17,768.00
4-475BF	4" 475 RP BFLY FLNG X FLNG	4800-OLBF	\$21,350.00
4-475BG	4" 475 W/BFLY VLVS LEAD FREE	4800-OLBF	\$20,573.00
4-475BPIG	4" 475 RP DI Body N pattern Bfly X Post Ind GRV X GRV	4800-OLBF	\$21,242.00
4-475DACMBF	4" 475 RPDA DI Body N pattern CU Ft Mtr Bfly Flng x Flng	4800-OLBF	\$25,826.00
4-475DALLMNYC	4" 475 RPDA DI Body N pattern Less Mtr NYC Less Shutoff FLG X FLG	4800-OLBF	\$19,150.00
4-475DALMNYCBG	4" 475 RPDA DI Body N pattern Less Mtr NYC Bfly GRV X GRV	4800-OLBF	\$28,522.00
4-475DAVBPIG	4" 475 RPDA VERT BFLY X POST IND GRV X GRV	4800-OLBF	\$25,071.00
4-475DAVLMBG	4" 475 RPDA DI Body Vert Less Mtr Bfly GRV X GRV	4800-OLBF	\$24,280.00
4-475DAVOSYBG	4" 475 RPDA DI Body Vert Gal Mtr OSY X BFLY FLG X GRV	4800-OLBF	\$26,654.00
4-475DAVPBFG	4" 475 RPDA DI Body Vert Gal Mtr Post Ind X Bfly FLG X GRV	4800-OLBF	\$28,965.00
4-475FG	Reduced Pressure Principle Assy, Lead-Free, N-Pattern, Flanged NRS x Grooved NRS	4800-OLBF	\$17,768.00
4-475G	Reduced Pressure Principle Assy, Lead-Free, N-Pattern, Grooved NRS x Grooved NRS	4800-OLBF	\$17,768.00
4-475GF	Reduced Pressure Principle Assy, Lead-Free, N-Pattern, Grooved NRS x Flanged NRS	4800-OLBF	\$17,768.00
4-475L	Reduced Pressure Principle Assy, Lead-Free, N-Pattern, Grooved x Grooved, Less Gate Valves	4800-OLBF	\$12,341.00
4-475OSY	Reduced Pressure Principle Assy, Lead-Free, N-Pattern, Flanged OSY x Flanged OSY	4800-OLBF	\$18,574.00
4-475OSYBFG	4" 475 W/OSY GV/BG FXG LF	4800-OLBF	\$22,318.00
4-475OSYFG	Reduced Pressure Principle Assy, Lead-Free, N-Pattern, Flanged OSY x Grooved OSY	4800-OLBF	\$18,574.00
4-475OSYG	Reduced Pressure Principle Assy, Lead-Free, N-Pattern, Grooved OSY x Grooved OSY	4800-OLBF	\$18,574.00
4-475OSYGF	Reduced Pressure Principle Assy, Lead-Free, N-Pattern, Grooved OSY x Flanged OSY	4800-OLBF	\$18,574.00
4-475OSYPI	Reduced Pressure Principle Assy, Lead-Free, N-Pattern, Flanged OSY x Flanged PI	4800-OLBF	\$18,574.00
4-475OSYPFSC	Reduced Pressure Principle Assy, Lead-Free, N-Pattern, Flanged OSY x Flanged PI, Epoxy Coated Strainer	4800-OLBF	\$21,239.00
4-475STBF	4" 475 RP SS Body N pattern Bfly Gates FLG X FLG	4800-OLBF	\$21,545.00
4-475STBGRV	4" 475 RP SS Body N pattern Bfly Gates GRV X GRV Rev Reli & Shut off Val	4800-OLBF	\$20,041.00
4-475STDA	4" 475 RPDA SS Body N pattern OSY Gates FLG X FLG	4800-OLBF	\$25,375.00
4-475STDAR	4" 475 RPDA SS Body N pattern W/spool OSY Gates FLG X FLG	4800-OLBF	\$25,742.00
4-475STDARV	4" 475 RPDA SS Body Vert W/spool OSY Gates FLG X FLG	4800-OLBF	\$25,375.00
4-475STDAST	4" 475 RPDA SS Body N pattern OSY Gates SS Hardware FLG X FLG	4800-OLBF	\$24,493.00
4-475STDVFG	4" 475 RPDA SS BODY VERT OSY GATES FLG X GRV	4800-OLBF	\$25,375.00
4-475STOSY	4" 475 RP SS Body N pattern OSY Gates FLG X FLG	4800-OLBF	\$20,692.00
4-475STOSYG	4" 475 RP SS Body N Pattern OSY Gates GRV X GRV	4800-OLBF	\$20,692.00
4-475STR	4" 475 RP SS Body N pattern W/spool NRS Gates FLG X FLG	4800-OLBF	\$20,169.00
4-475STRG	4" 475 RP SS Body N Pattern W/spool NRS Gates GRV X GRV	4800-OLBF	\$20,169.00
4-475STRL	4" 475 RP SS Body N pattern W/spool Less Shutoff GRV X GRV	4800-OLBF	\$14,745.00
4-475STROSSY	4" 475 RP SS Body N pattern W/spool OSY Gates FLG X FLG	4800-OLBF	\$21,195.00
4-475ST-RV	4" 475 RP SS Body N pattern NRS Gates FLG X FLG Rev. side Gates	4800-OLBF	\$19,791.00
4-475STRVBG	4" 475 RP SS Body Vert W/spool Bfly GRV X GRV	4800-OLBF	\$20,041.00
4-475STVFG	4" 475 RP SS BODY VERT FLG X GRV	4800-OLBF	\$19,791.00
4-475STVG	4" 475 RP SS Body Vert NRS Gates GRV X GRV	4800-OLBF	\$19,791.00
4-475V-AG	4" 475 RP DI Body Vert NRS Gates FLG X FLG W/Air Gap	4800-OLBF	\$18,282.00
4-475VBF	Flanged BF x Flanged BF	4800-OLBF	\$21,350.00
4-475VBG	4" 475 V W/BFLY VLVS LEAD FREE	4800-OLBF	\$20,573.00
4-475VBPIG	4" 475 V WBFLY PIGG LEAD FREE	4800-OLBF	\$22,318.00
4-475OSYBFG	4" 475 V W/OSY FXG/ BF LEAD FREE	4800-OLBF	\$22,318.00
4-475VPBFG	Flanged PI x Grooved BG	4800-OLBF	\$22,318.00
4-475VPIBG	4" 475 RP DI Body Vert Post Ind X Bfly GRV X GRV	4800-OLBF	\$22,317.00
4-475VPIOSYFG	4" 475 RP DI Body Vert Post Ind X OSY FLG X GRV	4800-OLBF	\$18,571.00
6-475	Reduced Pressure Principle Assy, Lead-Free, N-Pattern, Flanged NRS x Flanged NRS	4800-OLBF	\$26,870.00
6-475BF	Flanged BF x Flanged BF	4800-OLBF	\$32,187.00
6-475BG	6" 475 W/ BFLY VLVS LEAD FREE	4800-OLBF	\$31,206.00
6-475BPIG	6" 475 RP DI Body N pattern Bfly X Post Ind GRV X GRV	4800-OLBF	\$30,679.00
6-475DACMBF	6" 475 RPDA DI Body N pattern CU Ft Mtr Bfly Flng x Flng	4800-OLBF	\$37,595.00
6-475DALMNYCBG	6" 475 RPDA DI Body N pattern Less Mtr NYC Bfly GRV X GRV	4800-OLBF	\$42,865.00

6-475DAVBPIG	6" 475 RPDA DI Body Vert Gal Mtr Bfly X Post Ind GRV X GRV	4800-OLBF	\$41,649.00
6-475DAVLMBG	6" 475 RPDA VERT LESS MTR BFLY GRV X GRV	4800-OLBF	\$35,852.00
6-475DAVPIOSY	6" 475 RPDA DI Body Vert Gal Mtr Post Ind X OSY GRV X GRV	4800-OLBF	\$35,288.00
6-475DAVRV	6" 475 RPDA DI Body Vert Gal Mtr OSY Gates FLG X FLG Rev. By-Pass	4800-OLBF	\$33,288.00
6-475FG	Reduced Pressure Principle Assy, Lead-Free, N-Pattern, Flanged NRS x Grooved NRS	4800-OLBF	\$26,870.00
6-475G	Reduced Pressure Principle Assy, Lead-Free, N-Pattern, Grooved NRS x Grooved NRS	4800-OLBF	\$26,870.00
6-475GF	Reduced Pressure Principle Assy, Lead-Free, N-Pattern, Grooved NRS x Flanged NRS	4800-OLBF	\$26,870.00
6-475L	Reduced Pressure Principle Assy, Lead-Free, N-Pattern, Grooved x Grooved, Less Gate Valves	4800-OLBF	\$18,921.00
6-475LBS	6" 475 AUSTRALIA	4800-OLBF	\$24,126.00
6-475OSY	Reduced Pressure Principle Assy, Lead-Free, N-Pattern, Flanged OSY x Flanged OSY	4800-OLBF	\$28,809.00
6-475OSYBFG	6" 475 OSYFG W/ BFLY VLV LEAD FREE	4800-OLBF	\$34,306.00
6-475OSYVFG	Reduced Pressure Principle Assy, Lead-Free, N-Pattern, Flanged OSY x Grooved OSY	4800-OLBF	\$28,809.00
6-475OSYFSC	6" 475 RP OSY GATES FLG STRNR EPOXY COAT	4800-OLBF	\$33,091.00
6-475OSYSG	Reduced Pressure Principle Assy, Lead-Free, N-Pattern, Grooved OSY x Grooved OSY	4800-OLBF	\$28,809.00
6-475OSYGF	Reduced Pressure Principle Assy, Lead-Free, N-Pattern, Grooved OSY x Flanged OSY	4800-OLBF	\$28,809.00
6-475STBF-RV	6" 475 RP SS Body N pattern Bfly Gates FLG X FLG Rev Reli & Shut off Val	4800-OLBF	\$31,388.00
6-475STDA	6" 475 RPDA SS Body N pattern OSY Gates FLG X FLG	4800-OLBF	\$36,136.00
6-475STDALMBG	6" 475 RPDA SS Body N pattern Less Mtr Bfly GRV X GRV	4800-OLBF	\$44,408.00
6-475STDAR	6" 475 RPDA SS Body N pattern W/spool OSY Gates FLG X FLG	4800-OLBF	\$36,502.00
6-475STDARBG	6" 475 RPDA SS Body N Pattern W/spool Bfly GRV X GRV	4800-OLBF	\$36,941.00
6-475STDARBG-A	6" 475 RPDA SS Body N Pattern W/spool Bfly GRV X GRV	4800-OLBF	\$38,056.00
6-475STDARV	6" 475 RPDA SS Body Vert W/spool OSY Gates FLG X FLG	4800-OLBF	\$36,136.00
6-475STDVDBG-RV	6" 475 RPDA SS Body Vert Bfly GRV X GRV Reverse Bypass	4800-OLBF	\$43,461.00
6-475STDVCFM	6" 475 RPDA SS Body CU Ft mtr vert OSY Gates FLG X FLG	4800-OLBF	\$36,136.00
6-475STDAVG	6" 475 RPDA SS BODY VERT GRV X GRV	4800-OLBF	\$36,134.00
6-475STG	6" 475 RP SS Body N pattern NRS Gates GRV X GRV	4800-OLBF	\$29,941.00
6-475STL	6" 475 RP SS Body N Pattern Less Shutoff No Approvals, NZ Only No Inlet TC	4800-OLBF	\$20,642.00
6-475STOSY	6" 475 RP SS Body N pattern OSY Gates FLG X FLG	4800-OLBF	\$32,098.00
6-475STOSYG	6" 475 RP SS Body N pattern OSY Gates GRV X GRV	4800-OLBF	\$32,098.00
6-475STR	6" 475 RP SS Body N pattern W/spool NRS Gates FLG X FLG	4800-OLBF	\$30,316.00
6-475STROSY	6" 475 RP SS Body N pattern W/spool OSY Gates FLG X FLG	4800-OLBF	\$31,958.00
6-475STRVBG	6" 475 RP SS Body Vert W/spool Bfly GRV X GRV	4800-OLBF	\$30,923.00
6-475STVBPIG	6" 475 RP SS Body N Pattern Vert Bfly X Post Ind GRV X GRV	4800-OLBF	\$30,923.00
6-475STVG	6" 475 RP SS Body Vert NRS Gates GRV X GRV	4800-OLBF	\$29,941.00
6-475STVSYG	6" 475 RP SS Body N pattern Vert OSY Gates GRV X GRV	4800-OLBF	\$32,098.00
6-475STVPBGRV	6" 475 RP SS Body N Pattern Vert Post Ind X Bfly GRV X GRV	4800-OLBF	\$30,923.00
6-475STVPIOSYGF	6" 475 RP SS Body N Pattern Vert Post Ind inlet OSY outlet X GRV X FLG	4800-OLBF	\$30,704.00
6-475VBF	Flanged BF x Flanged BF	4800-OLBF	\$32,187.00
6-475VBG	6" 475 V W/ BFLY VLVS LEAD FREE	4800-OLBF	\$31,206.00
6-475VBAG	6" 475 RP DI Body Vert Bfly GRV X GRV W/Air Gap	4800-OLBF	\$30,549.00
6-475VBNRS	6" 475 RP VERT BFLY X NRS	4800-OLBF	\$36,515.00
6-475VBPIG	6" 475 RP DI Body Vert Bfly X Post Ind GRV X GRV	4800-OLBF	\$35,955.00
6-475VPIOSY-AG	6" 475 RP DI Body Vert OSY Gates FLG X FLG W/AIR GAP	4800-OLBF	\$29,476.00
6-475OSYBFG	Flanged OSY x Grooved BG	4800-OLBF	\$34,306.00
6-475VPIBG	6" 475 RP DI Body Vert Post Ind X Bfly GRV X GRV	4800-OLBF	\$34,302.00
6-475VPIOSY	6" 475 RP DI Body Vert Post Ind X OSY FLG X FLG	4800-OLBF	\$28,808.00
8-475BF	Flanged BF x Flanged BF	4800-OLBF	\$62,897.00
8-475BFCF	8" 475 RP BFLY FLG STRNR EPOXY COAT FLG X FLG	4800-OLBF	\$68,060.00
8-475BG	8" 475 W/ BFLY VLVS LEAD FREE	4800-OLBF	\$61,737.00
8-475DAFG	8" 475 RPDA DI Body N pattern Gal Mtr OSY Gates FLG X GRV	4800-OLBF	\$59,150.00
8-475DALMNYCBG	8" 475 RPDA DI Body N pattern Less Mtr NYC Bfly GRV X GRV	4800-OLBF	\$73,402.00
8-475DAVCFMG	8" 475 RPDA VERT CU FT MTR GRV X GRV	4800-OLBF	\$59,150.00
8-475DAVOSYPI	8" 475 RPDA DI Body Vert Gal Mtr OSY X Post Ind FLG X FLG	4800-OLBF	\$59,150.00
8-475G	Reduced Pressure Principle Assy, Lead-Free, N-Pattern, Grooved NRS x Grooved NRS	4800-OLBF	\$53,292.00
8-475L	Reduced Pressure Principle Assy, Lead-Free, N-Pattern, Grooved x Grooved, Less Gate Valves	4800-OLBF	\$43,842.00
8-475OSY	Reduced Pressure Principle Assy, Lead-Free, N-Pattern, Flanged OSY x Flanged OSY	4800-OLBF	\$54,353.00
8-475OSYVFG	Reduced Pressure Principle Assy, Lead-Free, N-Pattern, Flanged OSY x Grooved OSY	4800-OLBF	\$54,353.00
8-475OSYFSCFG	Reduced Pressure Principle Assy, Lead-Free, N-Pattern, Flanged OSY x Grooved OSY, Epoxy Coated Strainer	4800-OLBF	\$62,850.00
8-475OSYSG	8" 475 RP OSY GATES GRV X GRV	4800-OLBF	\$53,292.00
8-475ST	8" 475 RP SS Body N pattern NRS Gates FLG X FLG	4800-OLBF	\$59,381.00
8-475STBFG	8" 475 RP SS Body N pattern Bfly Gates FLG X GRV	4800-OLBF	\$61,811.00
8-475STDA	8" 475 RPDA SS Body N pattern OSY Gates FLG X FLG	4800-OLBF	\$64,217.00
8-475STDACFM	8" 475 RPDA SS Body N pattern CU Ft Mtr OSY Gates FLG X FLG	4800-OLBF	\$69,103.00
8-475STDACMBF	8" 475 RPDA SS Body N pattern CU Ft Mtr Bfly FLG X FLG	4800-OLBF	\$64,217.00
8-475STDACFMBG	8" 475 RPDA SS Body N pattern CU Ft Mtr Bfly GRV X GRV	4800-OLBF	\$72,163.00
8-475STDALMBG	8" 475 Rpd SS Body N Pattern Less Mtr Bfly Grv X Grv	4800-OLBF	\$73,273.00
8-475STDALMNYC	8" 475 RPDA SS Body N pattern Less Mtr NYC OSY Gates FLG X FLG	4800-OLBF	\$65,005.00
8-475STDAR	8" 475 RPDA SS Body N pattern W/spool OSY Gates FLG X FLG	4800-OLBF	\$65,461.00
8-475STDARCFM	8" 475 RPDA SS Body N pattern W/spool CU Ft Mtr OSY Gates FLG X FLG	4800-OLBF	\$65,461.00
8-475STDARV	8" 475 RPDA SS Body Vert N pattern W/spool OSY Gates FLG X FLG	4800-OLBF	\$64,217.00
8-475STDA-RV	8" 475 RPDA Reverse By-pass SS Body N pattern Gal Mtr OSY Gates FLG X FLG	4800-OLBF	\$64,217.00
8-475STDVCFM	8" 475 RPDA SS Body CU Ft Mtr Vert OSY Gates FLG X FLG	4800-OLBF	\$69,103.00
8-475STDVAG-RV	8" 475 Rpd Reverse Bypass SS Body Vert Grv X Grv	4800-OLBF	\$64,217.00

8-475STDVAVLNYC	8" 475 RPDA SS Body Vert Less Mtr NYC OSY Gates FLG X FLG	4800-OLBF	\$65,005.00
8-475STL	8" 475 RP SS Body N Pattern Less Shutoff No Approvals, NZ Only No Inlet TC	4800-OLBF	\$15,813.00
8-475STOSY	8" 475 RP SS Body N pattern OSY Gates FLG X FLG	4800-OLBF	\$60,561.00
8-475STOSYG	8" 475 RP SS Body N pattern OSY Gates GRV X GRV	4800-OLBF	\$60,561.00
8-475STR	8" 475 RP SS Body N pattern W/spool NRS Gates FLG X FLG	4800-OLBF	\$60,769.00
8-475STRBG	8" 475 RP SS Body N pattern W/spool Bfly Gates GRV X GRV	4800-OLBF	\$62,670.00
8-475STRSOSY	8" 475 RP SS Body N pattern W/spool OSY Gates FLG X FLG	4800-OLBF	\$63,870.00
8-475STVBG	8" 475 RP SS Body Vert Bfly Valve GRV X GRV	4800-OLBF	\$61,283.00
8-475STVVG	8" 475 RP SS Body Vert NRS Gates GRV X GRV	4800-OLBF	\$59,381.00
8-475STVOSY	8" 475 RP SS Body N pattern Vert OSY Gates FLG X FLG	4800-OLBF	\$60,557.00
8-475STVOSY-RV	8" 475 RP SS Body N pattern Vert OSY Gates FLG X FLG Rev Reli & Shut off Valv	4800-OLBF	\$60,612.00
8-475VBG	8" 475V W/ BFLY VLVS LEAD FREE	4800-OLBF	\$61,737.00
8-475VOSYBG	8" 475 RP DI Body Vert OSY X Bfly GRV X GRV	4800-OLBF	\$60,113.00
8-475VOSYBG-AG	8" 475 RP DI Body Vert OSY Gates GRV X GRV With Air Gap	4800-OLBF	\$52,965.00
RK4-475STDA-BP-LM	REPAIR KIT, BY-PASS, 4" 475STDA Less Mtr	4800-PART	\$2,411.00
RK6-475STDR-BP-LM	REPAIR KIT, BY-PASS, 6" 475STDR Less Mtr	4800-PART	\$2,176.00
RK8-475STCK1	REPAIR KIT, CHECK ASSY, 8"-10" 475ST(DA) #1	4800-PART	\$3,026.00
RK8-475STDR-BP-LM	REPAIR KIT, BY-PASS, 8" 475STDR Less Mtr	4800-PART	\$2,768.00
112-500XL3DUBP	1-1/2" 500XL3 PRV 15-75 PSI low flow bypass double union tailpieces Lead Free	4800-OPRV	\$4,494.00
112-500XL3DUCHR	1-1/2" 500XL3 PRV 75-125 PSI Dbl Union Fem X Fem Copper Sweat Tap for Gauge LF	4800-OPRV	\$4,677.00
112-500XL3DUHR	1-1/2" 500XL3 PRV 75-125 PSI Dbl Union Fem X Fem NPT Tap For Gauge Lead Free	4800-OPRV	\$4,635.00
112-500XL3DUHRBP	1-1/2" 500XL3 PRV 75-125 PSI low flow bypass double union tailpieces Lead Free	4800-OPRV	\$4,770.00
112-500XL3DUHRG	1-1/2" 500XL3 PRV 60-125 PSI Dbl Union Fem X Fem NPT w/gauge Lead Free	4800-OPRV	\$4,756.00
112-500XL3DUY	1-1/2" 500XL3 PRV 15-75 PSI Dbl Union Fe X Fe NPT Tap for Gauge Ld Free w/Strain	4800-OPRV	\$5,784.00
112-500XL3G	1-1/2" 500XL3 PRV 25-75 PSI Single Union Fem X Fem NPT w/gauge Lead Free	4800-OPRV	\$4,112.00
112-500XL-BAA	1-1/2" 500 PRV 25-75 PSI Union Inlet Fem X Fem NPT Lead Free, BAA Compliant	4800-OPRV	\$4,396.00
112-500XLCG	1-1/2" 500 PRV 25-75 PSI Union Inlet Cpr Swt x NPT Tap w/gauge Lead Free	4800-OPRV	\$4,149.00
112-500XLHRC	1-1/2" 500 PRV 10-125 PSI Union Inlet Fem X Fem NPT Tap w/gauge Lead Free	4800-OPRV	\$4,510.00
112-500XLHLRHTSTSCG	1-1/2" 500 PRV 10-125 PSI Union Inlet Fem X Fem NPT SS trim 180F Tap w/gauge LF	4800-OPRV	\$5,310.00
112-500XLHLRHTSTSCYG	1-1/2" PRV 10-125 PSI Union Inlet Fem NPT SS trim 180F w/Strainer Tap w/gauge	4800-OPRV	\$5,973.00
112-500XLHLRHTSTSCYP	1-1/2" PRV 10-125 PSI Union Inlet Fem NPT SS trim 180F w/Strainer Tap for gauge	4800-OPRV	\$5,926.00
112-500XLHLRHTSYBR	1-1/2" 500 PRV 10-125 PSI Union Inlet Fem X Fem NPT 180F w/Strainer Lead Free	4800-OPRV	\$5,854.00
112-500XLHLRP	1-1/2" 500 PRV 10-125 PSI Union Inlet Fem X Fem NPT Tap for gauge Lead Free	4800-OPRV	\$4,466.00
112-500XLHLRWSYBR	1-1/2" 500 PRV 10-125 PSI Union Inlet Fem X Fem NPT Salt Water w/Strainer LF	4800-OPRV	\$5,619.00
112-500XLHLRYSBRG	1-1/2" 500 PRV 10-125 PSI Union Inlet Fem X Fem NPT w/Strainer Tap w/gauge LF	4800-OPRV	\$5,172.00
112-500XLHRC	1-1/2" 500 PRV 75-125 PSI Union Inlet Cpr Swt x NPT Lead Free	4800-OPRV	\$4,316.00
112-500XLHRHTSYBR	1-1/2" 500 PRV 75-125 PSI Union Inlet Fem X Fem NPT 180F w/Strainer Lead Free	4800-OPRV	\$5,729.00
112-500XLHRSC	1-1/2" 500 PRV 75-125 PSI Union Inlet Fem X Fem NPT SS trim Lead Free	4800-OPRV	\$4,481.00
112-500XLHRSCP	1-1/2" 500 PRV 75-125 PSI Union Inlet Fem X Fem NPT SS trim Tap for gauge LF	4800-OPRV	\$4,547.00
112-500XLHRYSBRG	1-1/2" 500 PRV 75-125 PSI Union Inlet Fem X Fem NPT w/Strainer Tap w/gauge LF	4800-OPRV	\$5,049.00
112-500XLHRYSBRP	1-1/2" 500 PRV 75-125 PSI Union Inlet Fem X Fem NPT w/Strainer Tap for gauge LF	4800-OPRV	\$5,003.00
112-500XLHTSTSCG	1-1/2" 500 PRV 25-75 PSI Union Inlet Fem X Fem NPT SS trim 180F Tap w/gauge LF	4800-OPRV	\$4,906.00
112-500XLHTSTSCP	1-1/2" 500 PRV 25-75 PSI Union Inlet Fem X Fem NPT SS trim 180F Tap for gauge LF	4800-OPRV	\$4,863.00
112-500XLHTSTSCYBRG	1-1/2" PRV 25-75 PSI Union Inlet FemX Fem NPT SS trim 180F w/Strainer Tap w/gauge	4800-OPRV	\$5,565.00
112-500XLHTSTSCYBRP	1-1/2" PRV 25-75 PSI Union Inlet Fem NPT SS trim 180F w/Strainer Tap for gauge	4800-OPRV	\$5,522.00
112-500XLHLRG	1-1/2" PRV 10-125 PSI Union Inlet Fem X Fem NPT Tap w/gauge no Therm bypass LF	4800-OPRV	\$5,373.00
112-500XLHLRHTSTSC	1-1/2" 500 PRV 10-125 PSI Unn Inlet FemX Fem NPT SS trim 180F Les bypas Lead Free	4800-OPRV	\$5,201.00
112-500XLHRSC	1-1/2" 500 PRV 75-125 PSI Union Inlet Fem X Fem NPT SS trim no Therm bypass LF	4800-OPRV	\$5,336.00
112-500XLLPVG	1-1/2" 500 PRV 10-35 PSI 180F Union Inlet Fem X Fem NPT Tap w/gauge Lead Free	4800-OPRV	\$5,164.00
112-500XLLSCYBR	1-1/2" 500 PRV 25-75 PSI Union Inlet Fem X Fem NPT SS trim w/Strainer Lead Free	4800-OPRV	\$4,861.00
112-500XLLSCYBRG	1-1/2" PRV 25-75 PSI Union Inlet Fem X Fem NPT SS trim w/Strainer Tap w/gauge LF	4800-OPRV	\$4,965.00
112-500XLLSWYBR	1-1/2" 500 PRV 25-75 PSI Union Inlet Fem X Fem NPT Salt Water w/Strainer LF	4800-OPRV	\$5,217.00
114-500XL3G	1-1/4" 500XL3 PRV 25-75 PSI Single Union Fem X Fem NPT w/Gauge Lead Free	4800-OPRV	\$2,632.00
114-500XL3YG	1-1/4" 500XL3 PRV 25-75 PSI Single Union Fem X Fem NPT Tap w/Gauge w/Strainer	4800-OPRV	\$3,112.00
114-500XL-BAA	1-1/4" 500 PRV 25-75 PSI Union Inlet Fem X Fem NPT Lead Free, BAA Compliant	4800-OPRV	\$2,767.00
114-500XLLCP	1-1/4" 500 PRV 25-75 PSI Union Inlet Cpr Swt x NPT Tap for gauge Lead Free	4800-OPRV	\$2,612.00
114-500XLHLRG	1-1/4" 500 PRV 10-125 PSI Union Inlet Fem X Fem NPT Tap w/gauge Lead Free	4800-OPRV	\$2,880.00
114-500XLHLRHTSTSCY	1-1/4" PRV 10-125 PSI Union Inlet Fem NPT SS trim 180F w/Strainer	4800-OPRV	\$3,747.00

114-500XLHLRHTSTSCYG	1-1/4" PRV 10-125 PSI Union Inlet Fem NPT SS trim 180F w/Strainer Tap w/gauge	4800-OPRV	\$3,874.00
114-500XLHLRHTSTSCYP	1-1/4" PRV 10-125 PSI Union Inlet Fem NPT SS trim 180F w/Strainer Tap for gauge	4800-OPRV	\$3,818.00
114-500XLHLRHTSYBR	1-1/4" 500 PRV 10-125 PSI Union Inlet Fem X Fem NPT 180F w/Strainer Lead Free	4800-OPRV	\$3,377.00
114-500XLHLRP	1-1/4" 500 PRV 10-125 PSI Union Inlet Fem X Fem NPT Tap for gauge Lead Free	4800-OPRV	\$2,838.00
114-500XLHLRSC	1-1/4" 500 PRV 10-125 PSI Union Inlet Fem X Fem NPT SS trim Lead Free	4800-OPRV	\$2,897.00
114-500XLHLRSCSWYBR	1-1/4" PRV 10-125 PSI Union Inlet Fem X Fem NPT Salt Water SS trim w/Strainer LF	4800-OPRV	\$3,734.00
114-500XLHLRSCYBR	1-1/4" 500 PRV 10-125 PSI Union Inlet Fem X Fem NPT SS trim w/Strainer Lead Free	4800-OPRV	\$3,385.00
114-500XLHLRYSBRG	1-1/4" 500 PRV 10-125 PSI Union Inlet Fem X Fem NPT w/Strainer Tap w/gauge LF	4800-OPRV	\$3,362.00
114-500XLHLRYSBRP	1-1/4" 500 PRV 10-125 PSI Union Inlet Fem X Fem NPT w/Strainer Tap for gauge LF	4800-OPRV	\$3,321.00
114-500XLHLRG	1-1/4" 500 PRV 75-125 PSI Union Inlet Fem X Fem NPT Tap w/gauge Lead Free	4800-OPRV	\$2,805.00
114-500XLHRHTSTSCG	1-1/4" 500 PRV 75-125 PSI Union Inlet Fem X Fem NPT SS trim 180F Lead Free W/Gau	4800-OPRV	\$3,367.00
114-500XLHLRSCG	1-1/4" 500 PRV 75-125 PSI Union Inlet Fem X Fem NPT no Therm bypas SS trim w/Gaug	4800-OPRV	\$2,939.00
114-500XLHRSC	1-1/4" 500 PRV 75-125 PSI Union Inlet Fem X Fem NPT SS trim Lead Free	4800-OPRV	\$2,822.00
114-500XLHRSCYBR	1-1/4" 500 PRV 75-125 PSI Union Inlet Fem X Fem NPT SS Trim w/Strainer Lead Free	4800-OPRV	\$3,314.00
114-500XLHRYSBRG	1-1/4" 500 PRV 75-125 PSI Union Inlet Fem X Fem NPT w/Strainer Tap w/gauge LF	4800-OPRV	\$3,289.00
114-500XLHRYSBRP	1-1/4" 500 PRV 75-125 PSI Union Inlet Fem X Fem NPT w/Strainer Tap For Gauge LF	4800-OPRV	\$3,244.00
114-500XLHTSTSCG	1-1/4" 500 PRV 25-75 PSI Union Inlet Fem X Fem NPT SS trim 180F Lead Free W/Gaug	4800-OPRV	\$3,187.00
114-500XLHTSTSCP	1-1/4" 500 PRV 25-75 PSI Union Inlet Fem X Fem NPT SS trim 180F Tap for gauge LF	4800-OPRV	\$3,087.00
114-500XLHTSTSCYBR	1-1/4" 500 PRV 25-75 PSI Union Inlet Fem X Fem NPT SS trim 180F w/Strainer LF	4800-OPRV	\$3,506.00
114-500XLHTSTSCYBRP	1-1/4" PRV 25-75 PSI Union Inlet Fem NPT SS trim 180F w/Strainer Tap for gauge	4800-OPRV	\$3,572.00
114-500XLLPVYBR	1-1/4" 500 PRV 10-35 PSI 180F Union Inlet Fem X Fem NPT w/Strainer Lead Free	4800-OPRV	\$3,668.00
114-500XLLSCYBR	1-1/4" 500 PRV 25-75 PSI Union Inlet Fem X Fem NPT SS trim w/Strainer Lead Free	4800-OPRV	\$3,132.00
114-500XLLYBRP	1-1/4" 500 PRV 25-75 PSI Union Inlet Fem X Fem NPT w/Strainer Tap for gauge LF	4800-OPRV	\$3,065.00
12-500XLCG	1/2" 500 PRV 25-75 PSI Union Inlet Cpr Swt x NPT Tap w/gauge Lead Free	4800-OPRV	\$1,068.00
12-500XLLCP	1/2" 500 PRV 25-75 PSI Union Inlet Cpr Swt x NPT Tap for gauge Lead Free	4800-OPRV	\$1,025.00
12-500XLHRC	1/2" 500 PRV 10-125 PSI Union Inlet Cpr Swt x NPT Lead Free	4800-OPRV	\$999.00
12-500XLHLRG	1/2" 500 PRV 10-125 PSI Union Inlet Fem X Fem NPT Tap w/gauge Lead Free	4800-OPRV	\$1,149.00
12-500XLHLRHTSTSC	1/2" 500 PRV 10-125 PSI Union Inlet Fem X Fem NPT SS trim 180F Lead Free	4800-OPRV	\$1,233.00
12-500XLHLRSCYBRG	1/2" PRV 10-125 PSI Union Inlet Fem X Fem NPT SS trim w/Strainer Tap w/gauge LF	4800-OPRV	\$1,395.00
12-500XLHLRSW	1/2" 500 PRV 10-125 PSI Union Inlet Fem X Fem NPT Salt Water Lead Free	4800-OPRV	\$1,173.00
12-500XLHLRYSBRG	1/2" 500 PRV 10-125 PSI Union Inlet Fem X Fem NPT w/Strainer Tap w/gauge LF	4800-OPRV	\$1,344.00
12-500XLHLRYSBRP	1/2" 500 PRV 10-125 PSI Union Inlet Fem X Fem NPT w/Strainer Tap for gauge LF	4800-OPRV	\$1,302.00
12-500XLHRC	1/2" 500 PRV 75-125 PSI Union Inlet Cpr Swt x NPT Lead Free	4800-OPRV	\$1,024.00
12-500XLHTSTSCYBR	1/2" 500 PRV 25-75 PSI Union Inlet Fem X Fem NPT SS trim 180F w/Strainer LF	4800-OPRV	\$1,376.00
12-500XLLPVG	1/2" 500 PRV 10-35 PSI 180F Union Inlet Fem X Fem NPT Tap w/gauge Lead Free	4800-OPRV	\$1,311.00
12-500XLLPVYBRG	1/2" 500 PRV 10-35 PSI 180F Union Inlet Fem X Fem NPT w/Strainer Tap w/gauge LF	4800-OPRV	\$1,502.00
12-500XLLSCYBR	1/2" 500 PRV 25-75 PSI Union Inlet Fem X Fem NPT SS trim w/Strainer Lead Free	4800-OPRV	\$1,191.00
12-500XLLYBRG	1/2" 500 PRV 25-75 PSI Union Inlet Fem X Fem NPT w/Strainer Tap w/gauge LF	4800-OPRV	\$1,247.00
12-500XLLYBRP	1/2" 500 PRV 25-75 PSI Union Inlet Fem X Fem NPT w/Strainer Tap for gauge LF	4800-OPRV	\$1,203.00
1-500XL3BPK	1" 500XL3 PRV 15-75 PSI 500 Flanged Low Flow Bypass Kit Lead Free	4800-OPRV	\$953.00
1-500XL3DUBP	1" 500XL3 PRV 15-75 PSI Low Flow Bypass Double Union Tailpieces Lead Free	4800-OPRV	\$1,342.00
1-500XL3DUBPG	1" 500XL3 PRV 15-75 PSI Low Flow Bypass Double Union Tailpiece w/Gauge Lead Free	4800-OPRV	\$1,458.00
1-500XL3HRBPK	1" 500XL3 PRV 75-125 PSI Low Flow Bypass Kit Lead Free	4800-OPRV	\$1,034.00
1-500XL3HRYG	1" 500XL3 PRV 60-125 PSI Single Union Fem X Fem NPT w/Strainer w/Gauge	4800-OPRV	\$1,699.00
1-500XL-BAA	1" 500 PRV 25-75 PSI Union Inlet Fem X Fem NPT Lead Free, BAA Compliant	4800-OPRV	\$1,386.00
1-500XLHLRHTSTSCG	1" 500 PRV 10-125 PSI Union Inlet Fem X Fem NPT SS trim 180F Tap w/gauge LF	4800-OPRV	\$1,745.00
1-500XLHLRHTSTSCYG	1" PRV 10-125 PSI Union Inlet FemX Fem NPT SS trim 180F w/Strainer Tap w/gauge LF	4800-OPRV	\$2,075.00
1-500XLHLRHTSTSCYP	1" PRV 10-125 PSI Union Inlet FemX Fem NPT SS trim 180F w/Strainer Tap for gauge	4800-OPRV	\$4,492.00
1-500XLHLRHTSTSCYBR	1" 500 PRV 10-125 PSI Union Inlet Fem X Fem NPT SS trim 180F w/Strainer LF	4800-OPRV	\$1,967.00
1-500XLHLRSCG	1" 500 PRV 10-125 PSI Union Inlet Fem X Fem NPT SS trim Tap w/gauge Lead Free	4800-OPRV	\$1,624.00
1-500XLHLRSCSWG	1" PRV 10-125 PSI Union Inlet Fem X Fem NPT Salt Water SS trim Tap w/gauge LF	4800-OPRV	\$1,731.00

1-500XHLRSCYSBRP	1" PRV 10-125 PSI Union Inlet Fem x Fem NPT SS trim w/ Strainer Tap for gauge LF	4800-OPRV	\$1,840.00
1-500XHLRRCG	1" 500 PRV 75-125 PSI Union Inlet Cpr Swt w NPT Tap w/ gauge Lead Free	4800-OPRV	\$1,475.00
1-500XHLRSG	1" 500 PRV 75-125 PSI Union Inlet Fem x Fem NPT Tap w/ gauge Lead Free	4800-OPRV	\$1,456.00
1-500XHLRHTSTSCG	1" 500 PRV 75-125 PSI Union Inlet Fem x Fem NPT SS trim 180F Lead Free W/Gauge	4800-OPRV	\$1,762.00
1-500XHLRHTSTSCYSBR	1" 500 PRV 75-125 PSI Union Inlet Fem x Fem NPT SS trim 180F w/Strainer LF	4800-OPRV	\$3,507.00
1-500XHLRSCG	1" 500 PRV 75-125 PSI Union Inlet Fem x Fem NPT SS trim Tap w/gauge Lead Free	4800-OPRV	\$1,518.00
1-500XHLRSCYSBRG	1" PRV 75-125 PSI Union Inlet Fem x Fem NPT SS trim w/ Strainer Tap w/gauge LF	4800-OPRV	\$1,850.00
1-500XHLRYSBRG	1" 500 PRV 75-125 PSI Union Inlet Fem x Fem NPT w/ Strainer Lead Free Tap w/gauge	4800-OPRV	\$1,789.00
1-500XHLRYSBRP	1" 500 PRV 75-125 PSI Union Inlet Fem x Fem NPT w/ Strainer Tap for gauge LF	4800-OPRV	\$1,652.00
1-500XLHTSTSCG	1" 500 PRV 25-75 PSI Union Inlet Fem x Fem NPT SS trim 180F Lead Free W/Gauge	4800-OPRV	\$1,678.00
1-500XLHTSTSCP	1" 500 PRV 25-75 PSI Union Inlet Fem x Fem NPT SS trim 180F Tap for gauge LF	4800-OPRV	\$1,573.00
1-500XLHTSTSCYSBRP	1" PRV 25-75 PSI Union Inlet FemxFem NPT SS trim 180F w/Strainer Tap for gauge	4800-OPRV	\$1,905.00
1-500XLLPVG	1" 500 PRV 10-35 PSI 180F Union Inlet Fem x Fem NPT Tap w/gauge Lead Free	4800-OPRV	\$1,701.00
1-500XLLPVYSBR	1" 500 PRV 10-35 PSI 180F Union Inlet Fem x Fem NPT w/ Strainer Lead Free	4800-OPRV	\$1,925.00
1-500XLLPVYSBRG	1" 500 PRV 10-35 PSI 180F Union Inlet Fem x Fem NPT w/ Strainer Tap w/gauge LF	4800-OPRV	\$2,029.00
1-500XLLSC	1" 500 PRV 25-75 PSI Union Inlet Fem x Fem NPT SS trim Lead Free no Therm bypass	4800-OPRV	\$1,375.00
1-500XLLSCP	1" 500 PRV 25-75 PSI Union Inlet Fem x Fem NPT SS trim Tap for gauge Lead Free	4800-OPRV	\$1,390.00
1-500XLLSCYSBR	1" 500 PRV 25-75 PSI Union Inlet Fem x Fem NPT SS trim w/Strainer Lead Free	4800-OPRV	\$1,652.00
212-500XL3FYG	2-1/2" 500XLS PRV 25-75 PSI Flanged class 150 w/ Gauge w/Strainer Lead Free	4800-OPRV	\$13,713.00
212-500XL3G	2-1/2" 500XLS PRV 25-75 PSI Fem X Fem NPT w/Gauge Lead Free	4800-OPRV	\$8,358.00
212-500XL-BAA	2-1/2" 500 PRV 25-75 PSI Fem x Fem NPT Lead Free, BAA Compliant	4800-OPRV	\$9,067.00
212-500XLFHLRHTSTSCB	2-1/2" 500 PRV BypassTaps Flanged class 150 10-125 PSI SS trim 180F Lead Free	4800-OPRV	\$15,460.00
212-500XHLRSG	2-1/2" 500 PRV 10-125 PSI Fem x Fem NPT Tap w/gauge Lead Free	4800-OPRV	\$9,175.00
212-500XHLRHTSTSC	2-1/2" 500 PRV 10-125 PSI Fem x Fem NPT SS trim 180F Lead Free	4800-OPRV	\$10,712.00
212-500XHLRHTSTSCP	2-1/2" PRV 10-125 PSI Fem x Fem NPT SS trim 180F Tap for gauge Lead Free	4800-OPRV	\$10,778.00
212-500XHLRHTSTSCYS	2-1/2" 500 PRV 10-125 PSI Fem x Fem NPT SS trim 180F w/Strainer Lead Free	4800-OPRV	\$12,582.00
212-500XHLRSCG	2-1/2" 500 PRV 10-125 PSI Fem x Fem NPT SS trim Tap w/ gauge Lead Free	4800-OPRV	\$9,592.00
212-500XHLRSCYSBR	2-1/2" 500 PRV 10-125 PSI Fem x Fem NPT SS trim w/ Strainer Lead Free	4800-OPRV	\$11,351.00
212-500XHLRSCYSBRG	2-1/2" 500 PRV 10-125 PSI Fem x Fem NPT Salt Water w/ Strainer Lead Free	4800-OPRV	\$12,087.00
212-500XHLRYSBRG	2-1/2" 500 PRV 10-125 PSI Fem x Fem NPT w/Strainer Tap w/gauge Lead Free	4800-OPRV	\$11,119.00
212-500XHLRYSBRP	2-1/2" 500 PRV 10-125 PSI Fem x Fem NPT w/Strainer Tap for gauge Lead Free	4800-OPRV	\$11,002.00
212-500XHLRSG	2-1/2" 500 PRV 75-125 PSI Fem x Fem NPT Tap w/gauge Lead Free	4800-OPRV	\$8,931.00
212-500XHLRHTSTSCG	2-1/2" 500 PRV 75-125 PSI Union Inlet Fem x Fem NPT SS trim 180F Lead Free W/Gau	4800-OPRV	\$10,633.00
212-500XHLRHTYSBR	2-1/2" 500 PRV 75-125 PSI Fem x Fem NPT 180F w/ Strainer Lead Free	4800-OPRV	\$12,342.00
212-500XHLRSC	2-1/2" 500 PRV 75-125 PSI Fem x Fem NPT SS trim Lead Free	4800-OPRV	\$7,994.00
212-500XHLRSW	2-1/2" 500 PRV 75-125 PSI Fem x Fem NPT Salt Water Lead Free	4800-OPRV	\$9,971.00
212-500XHLRSWYSBR	2-1/2" 500 PRV 75-125 PSI Fem x Fem NPT Salt Water w/ Strainer Lead Free	4800-OPRV	\$11,136.00
212-500XHLRYSBRP	2-1/2" 500 PRV 75-125 PSI Fem x Fem NPT w/Strainer Tap for gauge Lead Free	4800-OPRV	\$10,752.00
212-500XLHTSTSCG	2-1/2" 500 PRV 25-75 PSI Union Inlet Fem x Fem NPT SS trim 180F W/gauge	4800-OPRV	\$10,053.00
212-500XLHTSTSCP	2-1/2" 500 PRV 25-75 PSI Fem x Fem NPT SS trim 180F Tap for gauge Lead Free	4800-OPRV	\$9,950.00
212-500XLHTSTSCYSBR	2-1/2" 500 PRV 25-75 PSI Fem x Fem NPT SS trim 180F w/ Strainer Lead Free	4800-OPRV	\$11,764.00
212-500XLHTSTSCYSBRG	2-1/2" PRV 25-75 PSI FemxFem NPT SS trim 180F w/ Strainer Tap w/gauge	4800-OPRV	\$11,873.00
212-500XLHTSTSCYSBRP	2-1/2" PRV 25-75 PSI Fem NPT SS trim 180F w/Strainer Tap for gauge	4800-OPRV	\$11,826.00
212-500XLLSCYSBR	2-1/2" 500 PRV 25-75 PSI Fem x Fem NPT SS trim w/ Strainer Lead Free	4800-OPRV	\$10,525.00
212-500XLLSCYSBRG	2-1/2" PRV 25-75 PSI Fem x Fem NPT SS trim Tap w/gauge w/WyeStrnr LF	4800-OPRV	\$10,142.00
212-500XLLSW	2-1/2" 500 PRV 25-75 PSI Fem x Fem NPT Salt Water Lead Free	4800-OPRV	\$9,396.00
212-500XLLYSBRP	2-1/2" 500 PRV 25-75 PSI Fem x Fem NPT w/Strainer Tap for gauge Lead Free	4800-OPRV	\$10,177.00
2-500XL3DUBP	2" 500XLS PRV 15-75 PSI Low Flow Bypass Double Union Tailpieces Lead Free	4800-OPRV	\$5,592.00
2-500XL3DUBPG	2" 500XLS PRV 15-75 PSI low flow bypass double union tailpieces w/Gauge Lead Fre	4800-OPRV	\$5,711.00
2-500XL3DUCG	2" 500XLS PRV 25-75 PSI Dbl Union Fem x Fem Copper Sweat w/gauge Lead Free	4800-OPRV	\$5,319.00
2-500XL3DUG	2" 500XLS PRV 25-75 PSI Dbl Union Fem x Fem NPT w/ gauge Lead Free	4800-OPRV	\$5,280.00

2-500XL3DUHR	2" 500XLS PRV 75-125 PSI Dbl Union Fem X Fem NPT Tap for Gauge Lead Free	4800-OPRV	\$5,502.00
2-500XL3DUHRBP	2" 500XLS PRV 75-125 PSI Low Flow Bypass Double Union Tailpieces Lead Free	4800-OPRV	\$5,928.00
2-500XL3DUHRG	2" 500XLS PRV 75-125 PSI Dbl Union Fem x Fem NPT w/ gauge Lead Free	4800-OPRV	\$5,619.00
2-500XL3DUY	2" 500XLS PRV 15-75 PSI Dbl Union Fem X Fem NPT Tap for Gauge Lead Free w/Strain	4800-OPRV	\$6,064.00
2-500XL3G	2" 500XLS PRV 25-75 PSI Single Union Fem x Fem NPT w/ gauge Lead Free	4800-OPRV	\$4,804.00
2-500XL3YG	2" 500XLS PRV 25-75 PSI Single Union Fem X Fem NPT w/ Gauge w/Strainer LF	4800-OPRV	\$5,752.00
2-500XL-BAA	2" 500 PRV 25-75 PSI Union Inlet Fem x Fem NPT Lead Free, BAA Compliant	4800-OPRV	\$5,158.00
2-500XLCG	2" 500 PRV 25-75 PSI Union Inlet Cpr Swt w NPT Tap w/ gauge Lead Free	4800-OPRV	\$4,855.00
2-500XLCF-BAA	2" 500 PRV Flanged Class 150 25-75 PSI Lead Free, BAA Compliant	4800-OPRV	\$13,228.00
2-500XLCFCBPG	2" 500 PRV BypassTaps Flanged class 150 25-75 PSI Tap w/ gauge Lead Free	4800-OPRV	\$12,623.00
2-500XLCFCBP	2" 500 PRV BypassTaps Flanged class 150 25-75 PSI Tap for gauge Lead Free	4800-OPRV	\$12,577.00
2-500XLCFHLRBP	2" 500 PRV BypassTaps Flanged class 150 10-125 PSI Tap for gauge Lead Free	4800-OPRV	\$13,663.00
2-500XLCFHLRG	2" 500 PRV Flanged class 150 10-125 PSI Tap w/gauge Lead Free	4800-OPRV	\$13,229.00
2-500XLCFHLRHTSTSC	2" 500 PRV Flanged class 150 10-125 PSI SS trim 180F Lead Free	4800-OPRV	\$12,235.00
2-500XLCFHLRSW	2" 500 PRV Flanged class 150 10-125 PSI Salt Water Lead Free	4800-OPRV	\$14,130.00
2-500XLCFHRBP	2" 500 PRV BypassTaps Flanged class 150 75-125 PSI Lead Free	4800-OPRV	\$13,272.00
2-500XLCFHRBPG	2" 500 PRV BypassTaps Flanged class 150 75-125 PSI Tap w/gauge Lead Free	4800-OPRV	\$12,949.00
2-500XLCFHRHTSTSCG	2" 500 PRV Flanged class 150 75-125 PSI SS trim 180F Tap w/gauge Lead Free	4800-OPRV	\$13,797.00
2-500XLCFHTSTSCP	2" 500 PRV Flanged class 150 25-75 PSI SS trim 180F Tap for gauge Lead Free	4800-OPRV	\$13,029.00
2-500XLCFCLPV	2" 500 PRV Flanged 10-35 PSI 180F Lead Free	4800-OPRV	\$13,919.00
2-500XLCFCP	2" 500 PRV Flanged class 150 25-75 PSI Tap for gauge Lead Free	4800-OPRV	\$12,092.00
2-500XHLRRCG	2" 500 PRV 10-125 PSI Union Inlet Cpr Swt w NPT Tap w/ gauge Lead Free	4800-OPRV	\$5,319.00
2-500XHLRSG	2" 500 PRV 10-125 PSI Union Inlet Fem x Fem NPT Tap w/ gauge Lead Free	4800-OPRV	\$5,266.00
2-500XHLRHTSTSCG	2" 500 PRV 10-125 PSI Union Inlet Fem x Fem NPT SS trim 180F Tap w/gauge LF	4800-OPRV	\$6,095.00
2-500XHLRHTSTSCYP	2" PRV 10-125 PSI Union Inlet FemxFem NPT SS trim 180F w/Strainer Tap for gauge	4800-OPRV	\$6,169.00
2-500XHLRHTSTSCYSBR	2" 500 PRV 10-125 PSI Union Inlet Fem x Fem NPT SS trim 180F w/Strainer LF	4800-OPRV	\$7,059.00
2-500XHLRSCYSBRP	2" PRV 10-125 PSI Union Inlet Fem x Fem NPT SS trim w/ Strainer Tap for gauge LF	4800-OPRV	\$6,418.00
2-500XHLRSCYSBRG	2" 500 PRV 10-125 PSI Union Inlet Fem x Fem NPT Salt Water Lead Free	4800-OPRV	\$5,815.00
2-500XHLRSCYSBRG	2" PRV 10-125 PSI Union Inlet Fem x Fem NPT Salt Water w/Strainer Tap w/gauge LF	4800-OPRV	\$6,235.00
2-500XHLRRCG	2" 500 PRV 75-125 PSI Union Inlet Cpr Swt w NPT Tap w/ gauge Lead Free	4800-OPRV	\$5,175.00
2-500XHLRHTSTSCG	2" 500 PRV 75-125 PSI Union Inlet Fem x Fem NPT SS trim 180F Tap w/gauge LF	4800-OPRV	\$6,065.00
2-500XHLRHTSTSCYSBR	2" 500 PRV 75-125 PSI Union Inlet Fem x Fem NPT SS trim 180F w/Strainer LF	4800-OPRV	\$6,916.00
2-500XHLRHL	2" 500 PRV 75-125 PSI Union Inlet Fem x Fem NPT Lead Free no Therm bypass	4800-OPRV	\$5,257.00
2-500XHLRHLSCG	2" 500 PRV 75-125 PSI Union Inlet Fem x Fem NPT no Therm bypas SS trim w/Gauge	4800-OPRV	\$5,619.00
2-500XHLRSC	2" 500 PRV 75-125 PSI Union Inlet Fem x Fem NPT SS trim Lead Free	4800-OPRV	\$5,500.00
2-500XHLRSCYSBR	2" 500 PRV 75-125 PSI Union Inlet Fem x Fem NPT SS trim w/Strainer Lead Free	4800-OPRV	\$6,222.00
2-500XHLRSCYSBRG	2" 500 PRV 75-125 PSI Union Inlet Fem x Fem NPT SS trim w/Strnr w/Gaug Lead Free	4800-OPRV	\$6,339.00
2-500XHLRSW	2" 500 PRV 75-125 PSI Union Inlet Fem x Fem NPT Salt Water Lead Free	4800-OPRV	\$5,673.00
2-500XHLRSWG	2" 500 PRV 75-125 PSI Union Inlet Fem x Fem NPT Salt Water Tap w/gauge Lead Free	4800-OPRV	\$5,788.00
2-500XHLRYSBRG	2" 500 PRV 75-125 PSI Union Inlet Fem x Fem NPT w/ Strainer Lead Free Tap w/gauge	4800-OPRV	\$5,905.00
2-500XLHTSTSCG	2" 500 PRV 25-75 PSI Union Inlet Fem x Fem NPT SS trim 180F Tap w/gauge LF	4800-OPRV	\$5,747.00
2-500XLHTSTSCYSBRG	2" PRV 25-75 PSI Union Inlet FemxFem NPT SS trim 180F w/Strainer Tap w/gauge LF	4800-OPRV	\$6,697.00
2-500XLL	2" 500 PRV 25-75 PSI Union Inlet Fem x Fem NPT Lead Free no Therm bypass	4800-OPRV	\$4,923.00
2-500XLLPVP	2" 500 PRV 10-35 PSI 180F Union Inlet Fem x Fem NPT Tap for gauge Lead Free	4800-OPRV	\$5,995.00
2-500XLLSC	2" 500 PRV 25-75 PSI Union Inlet Fem x Fem NPT SS trim Lead Free no Therm bypass	4800-OPRV	\$5,131.00
2-500XLLSCC	2" 500 PRV 25-75 PSI Union Inlet Cpr Swt w NPT SS trim Lead Free	4800-OPRV	\$4,974.00
2-500XLLSCYSBRP	2" PRV 25-75 PSI Union Inlet Fem x Fem NPT SS trim w/ Strainer Tap for gauge LF	4800-OPRV	\$5,954.00
2-500XLLSWYSBR	2" 500 PRV 25-75 PSI Union Inlet Fem x Fem NPT Salt Water w/Strainer Lead Free	4800-OPRV	\$6,307.00
34-500XLCG	3/4" 500 PRV 25-75 PSI Union Inlet Cpr Swt w NPT Tap w/ gauge Lead Free	4800-OPRV	\$1,074.00
34-500XHLRSG	3/4" 500 PRV 10-125 PSI Union Inlet Fem x Fem NPT Tap w/gauge Lead Free	4800-OPRV	\$1,162.00
34-500XHLRHTSTSCYG	3/4" PRV 10-125 PSI Union Inlet FemxFem NPT SS trim 180F w/Strainer Tap w/gauge	4800-OPRV	\$1,630.00

34-500XLHRLHRTSTSCYP	3/4" PRV 10-125 PSI Union Inlet Fem NPT SS trim 180F w/ Strainer Tap for gauge	4800-OPRV	\$1,604.00
34-500XLHLRSW	3/4" 500 PRV 10-125 PSI Union Inlet Fem x Fem NPT Salt Water Lead Free	4800-OPRV	\$1,194.00
34-500XLHLRYSBRP	3/4" 500 PRV 10-125 PSI Union Inlet Fem x Fem NPT w/ Strainer Tap for gauge LF	4800-OPRV	\$1,400.00
34-500XLHHRG	3/4" 500 PRV 75-125 PSI Union Inlet Fem x Fem NPT Tap w/gauge Lead Free	4800-OPRV	\$1,133.00
34-500XLHRSC	3/4" 500 PRV 75-125 PSI Union Inlet Fem x Fem NPT SS trim Lead Free	4800-OPRV	\$1,070.00
34-500XLHRSCG	3/4" 500 PRV 75-125 PSI Union Inlet Fem x Fem NPT SS trim Tap w/Gauge Lead Free	4800-OPRV	\$1,190.00
34-500XLHRSWP	3/4" 500 PRV 75-125 PSI Union Inlet Fem x Fem NPT Salt Water Tap for gauge LF	4800-OPRV	\$1,222.00
34-500XLHTSTSCP	3/4" 500 PRV 25-75 PSI Union Inlet Fem x Fem NPT SS trim 180F Tap for gauge LF	4800-OPRV	\$1,212.00
34-500XLHTSTSCYSBR	3/4" 500 PRV 25-75 PSI Union Inlet Fem x Fem NPT SS trim 180F w/Strainer LF	4800-OPRV	\$1,426.00
34-500XLHTSTSCYSBRG	3/4" PRV 25-75 PSI Union Inlet FemxFem NPT SS trim 180F w/Strainer Tap w/gauge	4800-OPRV	\$1,464.00
34-500XLL	3/4" 500 PRV 25-75 PSI Union Inlet Fem x Fem NPT Lead Free no Therm bypass	4800-OPRV	\$1,004.00
34-500XLHLRYSBR	3/4" 500 PRV 75-125 PSI Union Inlet Fem x Fem NPT w/ Strainer no Therm bypass LF	4800-OPRV	\$1,351.00
34-500XLLPVG	3/4" 500 PRV 10-35 PSI 180F Union Inlet Fem x Fem NPT Tap w/gauge Lead Free	4800-OPRV	\$1,313.00
34-500XLLPVP	3/4" 500 PRV 10-35 PSI 180F Union Inlet Fem x Fem NPT Tap for gauge Lead Free	4800-OPRV	\$1,271.00
34-500XLSCG	3/4" 500 PRV 25-75 PSI Union Inlet Fem x Fem NPT SS trim Tap w/gauge Lead Free	4800-OPRV	\$1,117.00
34-500XLSCYSBR	3/4" 500 PRV 25-75 PSI Union Inlet Fem x Fem NPT SS trim w/Strainer Lead Free	4800-OPRV	\$1,288.00
34-500XLYSBRP	3/4" 500 PRV 25-75 PSI Union Inlet Fem x Fem NPT w/ Strainer Tap for gauge LF	4800-OPRV	\$1,301.00
3-500XL3FG	3" 500XL3 PRV 25-75 PSI Flanged class 150 w/Gauge Lead Free	4800-OPRV	\$15,363.00
3-500XL3FYG	3" 500XL3 PRV 25-75 PSI Flanged Class 150 w/Gauge w/ Strainer Lead Free	4800-OPRV	\$16,946.00
3-500XL3G	3" 500XL3 PRV 25-75 PSI Fem x Fem NPT w/Gauge Lead Free	4800-OPRV	\$10,686.00
3-500XL3YG	3" 500XL3 PRV 25-75 PSI Fem x Fem NPT w/Gauge w/ Strainer Lead Free	4800-OPRV	\$13,595.00
3-500XL-BAA	3" 500 PRV 25-75 PSI Fem x Fem NPT Lead Free, BAA Compliant	4800-OPRV	\$11,627.00
3-500XLHRLHRTSTSCP	3" 500 PRV 10-125 PSI Fem x Fem NPT SS trim 180F Tap for gauge Lead Free	4800-OPRV	\$13,738.00
3-500XLHLRP	3" 500 PRV 10-125 PSI Fem x Fem NPT Tap for gauge Lead Free	4800-OPRV	\$11,690.00
3-500XLHLRSW	3" 500 PRV 10-125 PSI Fem x Fem NPT Salt Water Lead Free	4800-OPRV	\$13,101.00
3-500XLHRG	3" 500 PRV 75-125 PSI Fem x Fem NPT Tap w/gauge Lead Free	4800-OPRV	\$10,379.00
3-500XLHRLHRTSTSCYSBR	3" 500 PRV 75-125 PSI Fem x Fem NPT SS trim 180F w/ Strainer Lead Free	4800-OPRV	\$16,564.00
3-500XLHRSCYSBR	3" 500 PRV 75-125 PSI Fem x Fem NPT SS trim w/Strainer Lead Free	4800-OPRV	\$14,753.00
3-500XLHRSCYSBRG	3" 500 PRV 75-125 PSI Fem x Fem NPT SS trim w/Strainer w/Gauge Lead Free	4800-OPRV	\$14,856.00
3-500XLHRSWYSBR	3" 500 PRV 75-125 PSI Fem x Fem NPT Salt Water w/ Strainer Lead Free	4800-OPRV	\$14,759.00
3-500XLHRYYSBRP	3" 500 PRV 75-125 PSI Fem x Fem NPT w/Strainer Tap for gauge Lead Free	4800-OPRV	\$14,275.00
3-500XLHTSTSCLPVYG	3" PRV 10-35 PSI FemxFem NPT SS trim 180F w/Strainer Tap w/gauge Lead Free	4800-OPRV	\$18,505.00
3-500XLHTSTSCP	3" 500 PRV 25-75 PSI Fem x Fem NPT SS trim 180F Tap for gauge Lead Free	4800-OPRV	\$12,743.00
3-500XLHTSTSCYSBRG	3" PRV 25-75 PSI FemxFem NPT SS trim 180F w/Strainer Tap w/gauge Lead Free	4800-OPRV	\$15,699.00
3-500XLLPVSCP	3" 500 PRV 10-35 PSI 180F Fem x Fem NPT SS trim Tap for gauge Lead Free	4800-OPRV	\$13,965.00
3-500XLLPVYSBRP	3" 500 PRV 10-35 PSI 180F Fem x Fem NPT w/Strainer Tap for gauge Lead Free	4800-OPRV	\$16,342.00
3-500XLSCYSBR	3" 500 PRV 25-75 PSI Fem x Fem NPT SS trim w/Strainer Lead Free	4800-OPRV	\$14,003.00
4-500XL3F	4" 500XL3 PRV 25-75 PSI Flanged class 150 Tap for gauge Lead Free	4800-OPRV	\$20,374.00
4-500XL3FG	4" 500XL3 PRV 25-75 PSI Flanged class 150 w/Gauge Lead Free	4800-OPRV	\$20,489.00
4-500XL3FHR	4" 500XL3 PRV 75-125 PSI Flanged class 150 Tap for gauge Lead Free	4800-OPRV	\$21,496.00
4-500XL3FHRG	4" 500XL3 PRV 75-125 PSI Flanged class 150 w/gauge Lead Free	4800-OPRV	\$21,613.00
4-500XL3FHRY	4" 500XL3 PRV 75-125 PSI Flanged class 150 w/Strainer Lead Free	4800-OPRV	\$24,125.00
4-500XL3FHRYG	4" 500XL3 PRV 75-125 PSI Flanged class 150 w/Strainer w/Gauge Lead Free	4800-OPRV	\$24,241.00
4-500XL3FY	4" 500XL3 PRV 25-75 PSI Flanged class 150 Tap for gauge w/Strainer Lead Free	4800-OPRV	\$23,003.00
4-500XL3FYG	4" 500XL3 PRV 25-75 PSI Flanged Class 150 w/Strainer w/Gauge Lead Free	4800-OPRV	\$23,116.00
ZWS000CH	2-1/2 5000 Angle Hose Valve Fem NPT x Male Hose Thrd, Rough Chrome	4800-00FV	\$4,543.00
112-510XLL	1-1/2" 510 PRV 25-75 PSI Union Inlet Fem x Fem NPT Lead Free no Therm bypass	4800-OPRV	\$4,477.00
114-510XLG	1-1/4" 510 PRV 25-75 PSI Union Inlet Fem x Fem NPT Tap w/gauge Lead Free	4800-OPRV	\$2,801.00
1-510XLG	1" 510 PRV 25-75 PSI Union Inlet Fem x Fem NPT Tap w/gauge Lead Free	4800-OPRV	\$1,517.00
1-510XLHTSTSC	1" 510 PRV 25-75 PSI Union Inlet Fem x Fem NPT SS trim 180F Lead Free	4800-OPRV	\$1,596.00
1-510XLSC	1" 510 PRV 25-75 PSI Union Inlet Fem x Fem NPT SS trim Lead Free	4800-OPRV	\$1,412.00

1-510XLYSBRP	1" 510 PRV 25-75 PSI Union Inlet Fem x Fem NPT w/ Strainer Tap for gauge LeadFree	4800-OPRV	\$1,985.00
212-510XLFCBPP	2-1/2" 510 PRV BypassTaps Flanged class 150 25-75 PSI Tap for gauge Lead Free	4800-OPRV	\$12,774.00
212-510XLFCFCG	2-1/2" 510 PRV Flanged class 150 25-75 PSI w/Fing Strainer Lead Free Tap w/gauge	4800-OPRV	\$13,974.00
212-510XLFCHLR	2-1/2" 510 PRV Flanged class 150 10-125 PSI Lead Free	4800-OPRV	\$13,337.00
212-510XLHRTSTSC	2-1/2" 510 PRV 25-75 PSI Union Inlet Fem x Fem NPT SS trim 180F Lead Free	4800-OPRV	\$10,465.00
212-510XLSCG	2-1/2" 510XL PRV 25-75 PSI Fem x Fem NPT SS trim Tap w/gauge Lead Free	4800-OPRV	\$9,350.00
2-510XLCG	2" 510 PRV 25-75 PSI Union Inlet Cpr Swt x NPT Tap w/gauge Lead Free	4800-OPRV	\$5,175.00
2-510XLFCBP	2" 510 PRV BypassTaps Flanged class 150 25-75 PSI Lead Free	4800-OPRV	\$12,900.00
2-510XLFCBPP	2" 510 PRV BypassTaps Flanged class 150 25-75 PSI Tap for gauge Lead Free	4800-OPRV	\$12,969.00
2-510XLSC	2" 510 PRV 25-75 PSI Union Inlet Fem x Fem NPT SS trim Lead Free	4800-OPRV	\$5,253.00
2-510XLYSBRP	2" 510 PRV 75-125 PSI Union Inlet Fem x Fem NPT w/ Strainer Tap for Gge Lead Free	4800-OPRV	\$6,042.00
25-700XL	25mm (1") 700 Dual Check BSPP, Lead Free	4800-OSBF	\$179.00
34-510XLSWG	3/4" 510 PRV 25-75 PSI Union Inlet Fem x Fem NPT Salt Water Tap w/gauge LF	4800-OPRV	\$1,268.00
34-510XLYSBRP	3/4" 510 PRV 25-75 PSI Union Inlet Fem x Fem NPT w/ Strainer Tap for gauge LF	4800-OPRV	\$1,487.00
3-510XLFCBP	3" 510 PRV BypassTaps Flanged class 150 25-75 PSI Lead Free	4800-OPRV	\$16,205.00
3-510XLFCBPG	3" 510 PRV BypassTaps Flanged class 150 25-75 PSI Tap w/gauge Lead Free	4800-OPRV	\$12,434.00
3-510XLFCFSC	3" 510 PRV Flanged class 150 25-75 PSI w/Fing Strainer Lead Free	4800-OPRV	\$14,180.00
3-510XLFCG	3" 510 PRV Flanged class 150 25-75 PSI Tap w/gauge Lead Free	4800-OPRV	\$15,833.00
3-510XLFCHLR	3" 510 PRV Flanged class 150 10-125 PSI Lead Free	4800-OPRV	\$17,113.00
3-510XLFCHLRBPFC	3" 510 PRV BypassTaps Flanged class 150 10-125 PSI w/Fing Strainer Lead Free	4800-OPRV	\$19,176.00
3-510XLFCHLRBPFG	3" 510 PRV BypassTaps Flanged class 150 10-125 PSI Lead Free w/Gauge	4800-OPRV	\$17,362.00
3-510XLFCSC	3" 510 PRV Flanged class 150 25-75 PSI SS trim Lead Free	4800-OPRV	\$16,488.00
3-510XLG	3" 510 PRV 25-75 PSI Union Inlet Fem x Fem NPT Tap w/gauge Lead Free	4800-OPRV	\$11,084.00
3109-540	4" BY-PASS ASSY, 310DA	4800-OMWS	\$5,941.00
3109-540LM	4" BY-PASS ASSY, L/METER	4800-OMWS	\$3,513.00
3110-540	6" BY-PASS ASSY, 310DA	4800-OMWS	\$4,735.00
3111-540	8" BY-PASS ASSY, 310DA	4800-OMWS	\$4,467.00
3111-540-HI	8" 310 BY-PASS ASSY, L/METER Big Island WB	4800-OMWS	\$3,412.00
3111-540LM	8" BY-PASS ASSY L/METER	4800-OMWS	\$3,624.00
32-700XLPBBS	(DN32) 1-1/4" Union BSPP Intlt X 1-1/4" BSPP Outlt 700XLP Dual Check LF	4800-OSBF	\$552.00
3507-540LM	BY-PASS, 212-3" 350DALM	4800-OMWS	\$4,531.00
3507ST-540	BY-PASS, 2 1/2", 3", 4" 350ASTDA	4800-OMWS	\$2,884.00
3507ST-540BG	BY-PASS, 2-1/2" - 4" 350ASTDABG	4800-OMWS	\$2,799.00
3507ST-540CFM	BY-PASS, 2-1/2" - 4" 350ASTDA W/CFM	4800-OMWS	\$2,929.00
3507ST-540CMM	BY-PASS, 2-1/2" - 4" 350ASTDACMM	4800-OMWS	\$2,617.00
3507ST-540CMMBG	BY-PASS, 2-1/2" - 4" 350ASTDACMMBG	4800-OMWS	\$2,799.00
3507ST-540MLM	BY-PASS, 2-1/2" - 4" 350ASTDA L/MTR	4800-OMWS	\$1,869.00
3510ST-540CFM	BY-PASS, 6" 350ASTDACFM	4800-OMWS	\$3,456.00
3510ST-540CMM	BY-PASS, 6" 350ASTDACMM	4800-OMWS	\$3,227.00
3510ST-540LM	BY-PASS 6" 350ASTDA L/MTR	4800-OMWS	\$2,180.00
3511-540CMM	BY-PASS 8" 350DA W/CMM	4800-OMWS	\$6,558.00
3511-540LM	BY-PASS, 8" 350DA L/MTR	4800-OMWS	\$2,656.00
3511-540LMNYC	BY-PASS, 8-10" 350DALMNYC	4800-OMWS	\$3,225.00
3511-540-PE	BY-PASS, 8" 350DA SPECIAL	4800-OMWS	\$6,668.00
3511ST-540	BY-PASS, 8" 350ASTDA	4800-OMWS	\$4,053.00
3511ST-540CFM	BY-PASS, 8" 350ASTDA W/CFM	4800-OMWS	\$2,969.00
3511ST-540CMM	BY-PASS, 8" 350ASTDACMM	4800-OMWS	\$3,862.00
3511ST-540LM	BY-PASS, 8" 350ASTDA L/MTR	4800-OMWS	\$2,656.00
3513-540CFM	BY-Pass 12" 350DA W/CFM	4800-OLBF	\$4,971.00
3513-540LM	BY-PASS, 12" 350DA L/MTR	4800-OMWS	\$3,062.00
3707-540CFM	BY-PASS,212-3" 375DAW/CFM	4800-OMWS	\$7,363.00
3707-540LM	BY-PASS, 212-3" 375DALM	4800-OMWS	\$4,830.00
3707-540LMNYC	BY-PASS, 212-3"375DALMNYC	4800-OMWS	\$3,196.00
3707ST-540	BY-PASS, 2-1/2", 3", 4" 375ASTDA	4800-OMWS	\$4,479.00
3707ST-540BG	BY-PASS, 2-1/2", 3", 4" 375ASTDABG	4800-OMWS	\$6,988.00
3707ST-540LM	BY-PASS, 2-1/2" - 4" 375ASTDA L/METER	4800-OMWS	\$2,888.00
3709-540LMNYC	BY-PASS, 4" 375DALMNYC	4800-OMWS	\$3,179.00
3710-540LMNYC	BY-PASS, 6" 375DALMNYC	4800-OMWS	\$3,281.00
3710ST-540	BY-PASS, 6" 375ASTDA	4800-OMWS	\$4,479.00
3710ST-540CFM	BY-PASS, 6" 375ASTDA W/CFM	4800-OMWS	\$4,479.00
3710ST-540LM	BY-PASS, 6" 375ASTDA L/METER	4800-OMWS	\$5,279.00
3711-540LMNYC	BY-PASS, 8-10" 375DALMNYC	4800-OMWS	\$3,411.00
3711ST-540	BY-PASS, 8" 375ASTDA	4800-OMWS	\$7,116.00
3711ST-540CFM	BY-PASS, 8" 375ASTDA W/WATER METER, CFM LEAD FREE	4800-OMWS	\$7,116.00
3711ST-540LM	BY-PASS, 8" 375ASTDA L/METER	4800-OMWS	\$3,538.00
4509-540CFM	BY-PASS, 4" 450DA W/CFM	4800-OMWS	\$6,636.00
4509-540LM	BY-PASS, 4" 450DA L/MTR	4800-OMWS	\$5,526.00
4509-540V	BY-PASS, 4" 450DAV	4800-OMWS	\$6,761.00
4509-540VLM	BY-PASS, 4" 450DAV L/MTR	4800-OMWS	\$5,526.00
4509ST-540	BY-PASS, 4" 450STDA	4800-OMWS	\$6,636.00
4510-540CFM	BY-PASS, 6" 450DA W/CFM	4800-OMWS	\$6,780.00
4510-540LM	BY-PASS, 6" 450DA L/MTR	4800-OMWS	\$5,668.00
4510-540V	BY-PASS, 6" 450DAV	4800-OMWS	\$6,920.00
4510-540VLM	BY-PASS, 6" 450DAV L/MTR	4800-OMWS	\$5,668.00
4510ST-540	BY-PASS, 6" 450STDA	4800-OMWS	\$6,780.00
4511-540LM	BY-PASS,8" 450DA L/METER	4800-OMWS	\$5,961.00
4511ST-540	BY-PASS, 8" 450STDA	4800-OMWS	\$6,738.00
4512ST-540	BY-PASS, 10" 450STDA	4800-OMWS	\$6,916.00

4512ST-540CFM	BY-PASS, 10" 450STDACFM	4800-OLBF	\$7,551.00
4709-540CFM	BY-PASS, 4" 475DA W/CFM	4800-OMWS	\$7,416.00
4709-540LM	BY-PASS, 4" 475DA L/MTR	4800-OMWS	\$3,155.00
4709-540VCFM	BY-PASS, 475DAV W/CFM	4800-OMWS	\$3,946.00
4709-540VLM	BY-PASS, 4" 475DAV L/MTR	4800-OMWS	\$5,068.00
4709ST-540	BY-PASS, 4" 475STDA	4800-OMWS	\$7,416.00
4710-540LM	BY-PASS, 6" 475DA L/MTR	4800-OMWS	\$6,494.00
4710-540V	BY-PASS, 6" 475DAV	4800-OMWS	\$7,098.00
4710-540VCFM	BY-PASS, 6" 475DAV W/CFM	4800-OMWS	\$7,098.00
4710-540VLM	BY-PASS, 6" 475DAV L/MTR	4800-OMWS	\$5,557.00
4710ST-540	BY-PASS, 6" 475STDA	4800-OMWS	\$7,607.00
4711-540LM	BY-PASS, 8" 475 LM	4800-OMWS	\$4,895.00
4711-540V	BY-PASS, 8" 475V	4800-OMWS	\$7,422.00
4711ST-540	BY-PASS, 8" 475STDA	4800-OMWS	\$7,422.00
4712ST-540	BY-PASS, 10" 475STDA	4800-OMWS	\$7,890.00
4-ACVFCIS24NCP	FCIS subassembly, 4" Solenoid Valve, Endpoint, Connector kits	4800-OMWS	\$21,055.00
4-ACVFCIS24NCP2	FCIS subassembly, 4" SInd Vlv, Endpoint, Connector kits/ Connects to two ZW206	4800-OMWS	\$31,778.00
4-ACVFCIS24NCP2RV	FCIS subassembly, 4" SInd Vlv, Endpoint, Connector kits/ Conn, Rev Pilotry	4800-OMWS	\$31,778.00
4-ACVFCIS24NCPRV	FCIS subassembly, 4" Solenoid Valve, Endpoint, Connector kits	4800-OMWS	\$21,055.00
4-ACVFCIS24NOP	FCIS subassembly, 4" Solenoid Valve, Endpoint, Connector kits	4800-OMWS	\$24,752.00
4-ACVFCIS24NOP2	FCIS subassembly, 4" SInd Vlv, NormOpn Endpnt, Cnector kits/Cnects to two ZW206	4800-OMWS	\$31,778.00
4-ACVFCIS20SY24NOP	FCISOSY subassembly, 4" SInd Vlv, NorOp Endpnt, Cnector kits/Cnects to two ZW206	4800-OMWS	\$31,778.00
4-ACVFCIS30SY24NOP	FCISOSY subassembly, 4" Solenoid Valve, Endpoint, 3X connection	4800-OMWS	\$13,470.00
4-ACVFCISG24NCP	FCIS subassembly, 4" Solenoid Valve, Endpoint, Connector kits	4800-OMWS	\$27,476.00
9110-540	BY-PASS, 6" 910DA	4800-OMWS	\$2,541.00
9110-540LM	BY-PASS, 6" 910DA L/MTR	4800-OMWS	\$1,556.00
9111-540LM	BY-PASS, 8" 910DA L/MTR	4800-OMWS	\$1,474.00
9112-540	BY-PASS, 10" 910DA	4800-OMWS	\$2,454.00
9112-540LM	BY-PASS, 10" 910DA L/MTR	4800-OMWS	\$1,451.00
919-540	BY-PASS, 4" 910DA	4800-OMWS	\$2,674.00
919-540LM	BY-PASS, 4" 910DA L/MTR	4800-OMWS	\$1,571.00
956XLT-540	BY-PASS, 2" 950XLTDA	4800-OMWS	\$3,495.00
956XLT-540BF	BY-PASS, 2-950XLTDAFB	4800-OMWS	\$3,168.00
956XLT-540BFCFM	BY-PASS, 2-950XLTDA W/CFM	4800-OMWS	\$3,168.00
971-SEATTOOL	1/4-1/2" SEAT REMOVAL TOOL	4800-OMWS	\$161.00
971-ST	1/4"-1/2" SEAT TOOL	4800-OMWS	\$29.00
972-SEATTOOL	3/4"-1" SEAT REMOVAL TOOL	4800-OMWS	\$161.00
974-SEATTOOL	1-1/4-2" SEAT REMOVAL TOOL	4800-OMWS	\$268.00
RK114-550R	Repair Kit - 550 Rubber	4800-PART	\$109.00
RK212-550R	Repair Kit - 550 Rubber	4800-PART	\$250.00
RK34-550R	Repair Kit - 550 Rubber	4800-PART	\$96.00
RK4-550R	Repair Kit - 550 Rubber	4800-PART	\$418.00
RK6-550R	Repair Kit - 550 Rubber	4800-PART	\$664.00
RK114-575R	Repair Kit - 575 Rubber	4800-PART	\$172.00
RK212-575R	Repair Kit - 575 Rubber	4800-PART	\$172.00
RK212-6-FCIS	Repair Kit, Connected FCIS, 2-1/2"-6"	4800-PART	\$3,968.00
RK212-6-W1	RK212-6-W1 Repair Kit, Connected Backflow, Models 375W1, 375AW1, And 375ASTW1, 2	4800-PART	\$3,381.00
RK34-575R	Repair Kit - 575 Rubber	4800-PART	\$154.00
112-600HLRBS	Pressure Reducing Valve, British Straight THD, Hi-Lo Pressure 10-125 psi	4800-OPRV	\$2,751.00
112-600HLRBT	Pressure Reducing Valve, British Tapered THD, Hi-Lo Pressure 10-125 psi	4800-OPRV	\$2,759.00
112-600HLRTBS	Pressure Reducing Valve, British Straight, Hi-Lo Pressure 10-125 psi, Less Union Nut	4800-OPRV	\$2,866.00
112-600HLRTBS500KPA	1-1/2" 600HLRTBS SET AT 500KPA	4800-OPRV	\$3,189.00
112-600XL-BAA	1-1/2" 600 PRV 25-75 PSI Union Inlet Fem x Fem NPT Lead Free, BAA Compliant	4800-OPRV	\$3,258.00
112-600XLCG	1-1/2" 600 PRV 25-75 PSI Union Inlet Cpr Swt x NPT Tap w/gauge Lead Free	4800-OPRV	\$3,074.00
112-600XLHLRCH	1-1/2" 600 PRV 10-125 PSI Union Inlet Fem x Fem NPT Chrome Stem/PIngr Lead Free	4800-OPRV	\$3,926.00
112-600XLHLRHTSTSC	1-1/2" 600 PRV 10-125 PSI Union Inlet Fem x Fem NPT SS trim 180F Lead Free	4800-OPRV	\$4,163.00
112-600XLHLRHTSTSCC	1-1/2" 600 PRV 10-125 PSI Union Inlet Cpr Swt x NPT SS trim 180F Lead Free	4800-OPRV	\$4,163.00
112-600XLHLRHTSTSCCG	1-1/2" 600 PRV 10-125 PSI Union Inlet Cpr Swt x NPT SS trim 180F Tap w/gauge LF	4800-OPRV	\$4,280.00
112-600XLHLRHTSTSCG	1-1/2" 600XLRV 10-125 PSI Union Inlet Fem x Fem NPT SS trim 180F W/Gauge	4800-OPRV	\$4,334.00
112-600XLHLRHTSTSCP	1-1/2" 600 PRV 10-125 PSI Union Inlet Fem x Fem NPT SS trim 180F Tap for gaugeLF	4800-OPRV	\$4,233.00
112-600XLHLRLRCHG	1-1/2" 600 PRV 10-125psi Unn Inlet FemxFem NPT LesByas ChromStem/PIngr Tap w/Ga	4800-OPRV	\$4,046.00
112-600XLHLRSC	1-1/2" 600 PRV 10-125 PSI Union Inlet Fem x Fem NPT SS trim Lead Free	4800-OPRV	\$3,567.00
112-600XLHLRSCCHG	1-1/2" PRV 10-125 PSI Union Inlet FemxFem NPT Chrome Inlnrl SS trim Tap w/gauge	4800-OPRV	\$4,239.00
112-600XLHLRSCG	1-1/2" 600 PRV 10-125 PSI Union Inlet Fem x Fem NPT SS trim Tap w/gauge LF	4800-OPRV	\$3,678.00
112-600XLHLRSCP	1-1/2" 600 PRV 10-125 PSI Union Inlet Fem x Fem NPT SS trim Tap for gauge LF	4800-OPRV	\$3,636.00
112-600XLHLRCH	1-1/2" 600 PRV 75-125 PSI Union Inlet Fem x Fem NPT Chrome Stem/PIngr Lead Free	4800-OPRV	\$3,806.00
112-600XLHLRHTSTSC	1-1/2" 600 PRV 75-125 PSI Union Inlet Fem x Fem NPT SS trim 180F Lead Free	4800-OPRV	\$4,042.00
112-600XLHLRHTSTSCG	1-1/2" 600 PRV 75-125 PSI Union Inlet Fem x Fem NPT SS trim 180F Tap w/gauge LF	4800-OPRV	\$4,291.00
112-600XLHLRSCG	1-1/2" 600 PRV 75-125 PSI Union Inlet Fem x Fem NPT SS trim Tap w/gauge LF	4800-OPRV	\$3,555.00

112-600XLHTSTSCCG	1-1/2" 600 PRV 25-75 PSI Union Inlet Cpr Swt x NPT SS trim 180F Tap for gauge LF	4800-OPRV	\$3,869.00
112-600XLHTSTSCP	1-1/2" 600 PRV 25-75 PSI Union Inlet Fem x Fem NPT SS trim 180F Tap for gauge LF	4800-OPRV	\$3,826.00
112-600XLLPVHTSTSC	1-1/2" 600 PRV 10-35 PSI 180F Union Inlet Fem x Fem NPT SS trim Lead Free	4800-OPRV	\$4,819.00
112-600XLLPVP	1-1/2" 600 PRV 10-35 PSI 180F Union Inlet Fem x Fem NPT Tap for gauge Lead Free	4800-OPRV	\$4,092.00
112-600XLLSC	1-1/2" PRV 25-75 PSI Union Inlet Fem x Fem NPT SS trim no Therm bypass	4800-OPRV	\$3,364.00
112-600XLLSCG	1-1/2" 600 PRV 25-75 PSI Union Inlet Fem x Fem NPT SS trim Tap w/gauge Lead Free	4800-OPRV	\$3,275.00
114-600HLRBS	Pressure Reducing Valve, British Straight THD, Hi-Lo Pressure 10-125 psi	4800-OPRV	\$1,700.00
114-600HLRBT	Pressure Reducing Valve, British Tapered THD, Hi-Lo Pressure 10-125 psi	4800-OPRV	\$1,703.00
114-600HLRTBS	Pressure Reducing Valve, British Straight, Hi-Lo Pressure 10-125 psi, Less Union Nut	4800-OPRV	\$1,763.00
114-600HLRTBS500KPA	1-1/4" 600 PRV 10-125 PSI Union Inlet Fem x Fem BSPP Tap for gauge set 500kpa	4800-OPRV	\$1,925.00
114-600XL-BAA	1-1/4" 600 PRV 25-75 PSI Union Inlet Fem x Fem NPT Lead Free, BAA Compliant	4800-OPRV	\$2,147.00
114-600XLCG	1-1/4" 600 PRV 25-75 PSI Union Inlet Cpr Swt x NPT Tap w/gauge Lead Free	4800-OPRV	\$2,061.00
114-600XLHLRG	1-1/4" 600 PRV 10-125 PSI Union Inlet Fem x Fem NPT Tap w/gauge Lead Free	4800-OPRV	\$2,316.00
114-600XLHLRHTSTSC	1-1/4" 600 PRV 10-125 PSI Union Inlet Fem x Fem NPT SS trim 180F Lead Free	4800-OPRV	\$2,705.00
114-600XLHLRSC	1-1/4" 600 PRV 10-125 PSI Union Inlet Fem x Fem NPT SS trim Lead Free	4800-OPRV	\$2,327.00
114-600XLHLRSCP	1-1/4" 600 PRV 10-125 PSI Union Inlet Fem x Fem NPT SS trim Tap for gauge LF	4800-OPRV	\$2,399.00
114-600XLHLRG	1-1/4" 600 PRV 75-125 PSI Union Inlet Fem x Fem NPT Tap w/gauge Lead Free	4800-OPRV	\$2,240.00
114-600XLHLRHTSTSC	1-1/4" 600 PRV 75-125 PSI Union Inlet Fem x Fem NPT SS trim 180F Lead Free	4800-OPRV	\$2,632.00
114-600XLHTSTSCCG	1-1/4" 600 PRV 25-75 PSI Union Inlet Cpr Swt x NPT SS trim 180F Tap for gauge LF	4800-OPRV	\$2,566.00
114-600XLHTSTSC	1-1/4" PRV 25-75 PSI Union Inlet Fem x Fem NPT SS trim 180F no Therm bypass LF	4800-OPRV	\$2,581.00
114-600XLHTSTSCP	1-1/4" 600 PRV 25-75 PSI Union Inlet Fem x Fem NPT SS trim 180F Tap for gauge LF	4800-OPRV	\$2,520.00
114-600XLLPVP	1-1/4" 600 PRV 10-35 PSI 180F Union Inlet Fem x Fem NPT Tap for gauge Lead Free	4800-OPRV	\$2,685.00
114-600XLLSCP	1-1/4" 600 PRV 25-75 PSI Union Inlet Cpr Swt x NPT SS trim Tap for gauge	4800-OPRV	\$2,146.00
114-600XLLSCP	1-1/4" 600 PRV 25-75 PSI Union Inlet Fem x Fem NPT SS trim Tap for gauge LF	4800-OPRV	\$2,146.00
12-600HLRBT	Pressure Reducing Valve, British Tapered THD, Hi-Lo Pressure 10-125 psi	4800-OPRV	\$714.00
12-600HLRLTBS	Pressure Reducing Valve, British Straight, Hi-Lo Pressure 10-125 psi, Less Union Nut	4800-OPRV	\$689.00
12-600XLHLRG	1/2" 600 PRV 10-125 PSI Union Inlet Fem x Fem NPT Tap w/gauge Lead Free	4800-OPRV	\$938.00
12-600XLHLRHTSTSC	1/2" 600 PRV 10-125 PSI Union Inlet Fem x Fem NPT SS trim 180F Lead Free	4800-OPRV	\$1,029.00
12-600XLHLRHTSTSCC	1/2" 600 PRV 10-125 PSI Union Inlet Cpr Swt x NPT SS trim 180F Lead Free	4800-OPRV	\$1,029.00
12-600XLHLRHTSTSCG	1/2" 600 PRV 10-125 PSI Union Inlet Fem x Fem NPT SS trim 180F Tap w/gauge LF	4800-OPRV	\$1,182.00
12-600XLHLRCP	1/2" 600 PRV 75-125 PSI Union Inlet Cpr Swt x NPT Tap for gauge Lead Free	4800-OPRV	\$885.00
12-600XLHRP	1/2" 600 PRV 75-125 PSI Union Inlet Fem x Fem NPT Tap for gauge Lead Free	4800-OPRV	\$876.00
12-600XLHRSC	1/2" 600 PRV 75-125 PSI Union Inlet Fem x Fem NPT SS trim Lead Free	4800-OPRV	\$856.00
12-600XLLPVP	1/2" 600 PRV 10-35 PSI 180F Union Inlet Fem x Fem NPT Tap for gauge Lead Free	4800-OPRV	\$1,064.00
12-600XLLPVSCG	1/2" 600 PRV 10-35 PSI 180F Unil Fem x Fem NPT SS trim Tap w/gauge Lead Free	4800-OPRV	\$1,173.00
1-600HLRBT	Pressure Reducing Valve, British Tapered THD, Hi-Lo Pressure 10-125 psi	4800-OPRV	\$887.00
1-600HLRLUBS	Pressure Reducing Valve, British Straight THD, Hi-Lo Pressure 10-125 psi	4800-OPRV	\$1,168.00
1-600HLRLUBSHTSTSCP	1" 600 PRV HI LO RNG LESS UNION BRIT STR HI TFLN W/SS TRIM, SC & PLUG LEAD FREE	4800-OPRV	\$1,482.00
1-600HLRLUTBS	Pressure Reducing Valve, British Straight, Hi-Lo Pressure 10-125 psi, Less Union Nut	4800-OPRV	\$1,256.00
1-600HLRLUTBS500KPA	1" 600 PRV 10-125 PSI Fem x Fem BSPP Tap for gauge set 500kpa	4800-OPRV	\$1,430.00
1-600XL-60	1" 600 PRV 25-75 PSI Union Inlet Fem x Fem NPT Lead Free set 60psi	4800-OPRV	\$998.00
1-600XL-BAA	1" 600 PRV 25-75 PSI Union Inlet Fem x Fem NPT Lead Free, BAA Compliant	4800-OPRV	\$1,100.00
1-600XLCHSC	1" 600 PRV 25-75 PSI Union Inlet Fem x Fem NPT Chrome Stem/PIngr SS trim LF	4800-OPRV	\$1,237.00
1-600XLDM2	1" 600 PRV 25-75 PSI Dbl Meter Thrd Lead Free 9.5" long	4800-OPRV	\$1,238.00
1-600XLHLRC	1" 600 PRV 10-125 PSI Union Inlet Cpr Swt x NPT Lead Free	4800-OPRV	\$1,120.00
1-600XLHLRCG	1" 600 PRV 10-125 PSI Union Inlet Cpr Swt x NPT Tap w/gauge Lead Free	4800-OPRV	\$1,147.00
1-600XLHLRHTSTSC	1" 600 PRV 10-125 PSI Union Inlet Fem x Fem NPT SS trim 180F Lead Free	4800-OPRV	\$1,371.00
1-600XLHLRHTSTSCG	1" 600 PRV 10-125 PSI Union Inlet Fem x Fem NPT SS trim 180F Tap w/gauge LF	4800-OPRV	\$1,500.00
1-600XLHLRLU	1" 600 PRV 10-125 PSI Fem x Fem NPT Lead Free	4800-OPRV	\$1,074.00
1-600XLHLRP	1" 600 PRV 10-125 PSI Union Inlet Fem x Fem NPT Tap for gauge Lead Free	4800-OPRV	\$1,191.00
1-600XLHLRSC	1" 600 PRV 10-125 PSI Union Inlet Fem x Fem NPT SS trim Lead Free	4800-OPRV	\$1,189.00
1-600XLHLRSCPCVCG	1" 600 PRV 10-125 PSI Union Inlet Fem CPVC x Fem NPT SS trim Tap w/gauge	4800-OPRV	\$1,297.00

1-600XLRHCG	1" 600 PRV 75-125 PSI Union Inlet Cpr Swt x NPT Tap w/ gauge Lead Free	4800-OPRV	\$1,195.00
1-600XLRHG	1" 600 PRV 75-125 PSI Union Inlet Fem x Fem NPT Tap w/ gauge Lead Free	4800-OPRV	\$1,195.00
1-600XLRHRTSTSCG	1" 600 PRV 75-125 PSI Union Inlet Fem x Fem NPT SS trim 180F Tap w/gauge LF	4800-OPRV	\$1,456.00
1-600XLRHLRUCHSCL	1" 600 PRV 75-125 PSI Fem x Fem NPT Chrome Stem/PIngr SS trim no Therm bypass LF	4800-OPRV	\$1,318.00
1-600XLRHLRUSCCH	1" 600 PRV 75-125 PSI Fem x Fem NPT Chrome Stem/PIngr SS trim Lead Free	4800-OPRV	\$1,313.00
1-600XLRHRSCH	1" 600 PRV 75-125 PSI Union Inlet Fem x Fem NPT Chrome Stem/PIngr SS trim	4800-OPRV	\$1,260.00
1-600XLHTSTSCG	1" 600 PRV 25-75 PSI Union Inlet Fem x Fem NPT SS trim 180F Tap w/gauge LF	4800-OPRV	\$1,353.00
1-600XLHTSTSCP	1" 600 PRV 25-75 PSI Union Inlet Fem x Fem NPT SS trim 180F Tap for gauge LF	4800-OPRV	\$1,317.00
1-600XLLLU	1" 600 PRV 25-75 PSI Fem x Fem NPT Lead Free no Therm bypass	4800-OPRV	\$788.00
1-600XLLPVHTSTSC	1" 600 PRV 10-35 PSI 180F Union Inlet Fem x Fem NPT SS trim Lead Free	4800-OPRV	\$1,581.00
1-600XLLPVP	1" 600 PRV 10-35 PSI 180F Union Inlet Fem x Fem NPT Tap for gauge Lead Free	4800-OPRV	\$1,400.00
1-600XLLSC	1" 600 PRV 25-75 PSI Union Inlet Fem x Fem NPT SS trim Lead Free no Therm bypass	4800-OPRV	\$1,122.00
1-600XLLUG	1" 600 PRV 25-75 PSI Fem x Fem NPT Tap w/gauge Lead Free	4800-OPRV	\$1,105.00
1-600XLLUP	1" 600 PRV 25-75 PSI Fem x Fem NPT Tap For Gauge Lead Free	4800-OPRV	\$1,062.00
2-600HLRBS	Pressure Reducing Valve, British Straight THD, Hi-Lo Pressure 10-125 psi	4800-OPRV	\$3,538.00
2-600HLRBT	Pressure Reducing Valve, British Tapered THD, Hi-Lo Pressure 10-125 psi	4800-OPRV	\$3,536.00
2-600HLRTBS	Pressure Reducing Valve, British Straight, Hi-Lo Pressure 10-125 psi, Less Union Nut	4800-OPRV	\$3,585.00
2-600HLRTBS500KPA	2" 600 PRV 10-125 PSI Union Inlet Fem x Fem BSSP Tap for gauge set 500Kpa	4800-OPRV	\$3,942.00
2-600XL-BAA	2" 600 PRV 25-75 PSI Union Inlet Fem x Fem NPT Lead Free, BAA Compliant	4800-OPRV	\$4,146.00
2-600XLCH	2" 600 PRV 25-75 PSI Union Inlet Fem x Fem NPT Chrome Stem/PIngr Lead Free	4800-OPRV	\$4,427.00
2-600XHLRGC	2" 600 PRV 10-125 PSI Union Inlet Cpr Swt x NPT Tap w/ gauge Lead Free	4800-OPRV	\$4,750.00
2-600XHLRHTSTSC	2" 600 PRV 10-125 PSI Union Inlet Fem x Fem NPT SS trim 180F Lead Free	4800-OPRV	\$5,177.00
2-600XHLRHTSTSCCG	2" 600 PRV 10-125 PSI Union Inlet Cpr Swt x Fem NPT SS trim 180F Tap w/gauge LF	4800-OPRV	\$5,898.00
2-600XHLRHTSTSCG	2" 600 PRV 10-125 PSI Union Inlet Fem x Fem NPT SS trim 180F Tap w/gauge LF	4800-OPRV	\$5,297.00
2-600XHLRHTSTSCP	2" 600 PRV 10-125 PSI Union Inlet Fem x Fem NPT SS trim 180F Tap for gauge LF	4800-OPRV	\$5,177.00
2-600XHLRLCHG	2" 600 PRV 10-125psi Unn Inlet FemxFem NPT LesBypas ChromStem/PIngr Tap w/Gauge	4800-OPRV	\$5,014.00
2-600XHLRHP	2" 600 PRV 10-125 PSI Union Inlet Fem x Fem NPT Tap for gauge Lead Free	4800-OPRV	\$4,307.00
2-600XHLRSCCHG	2" 600 PRV 10-125 PSI Union Inlet FemxFem NPT Chrome Intrnl SS trim Tap w/gauge	4800-OPRV	\$5,238.00
2-600XHLRSCG	2" 600 PRV 10-125 PSI Union Inlet Fem x Fem NPT SS trim Tap w/gauge Lead Free	4800-OPRV	\$4,581.00
2-600XHLRSCP	2" 600 PRV 10-125 PSI Union Inlet Fem x Fem NPT SS trim Tap for gauge Lead Free	4800-OPRV	\$4,541.00
2-600XHLRCHSC	2" 600 PRV 75-125 PSI Union Inlet Fem x Fem NPT Chrome Stem/PIngr SS trim LF	4800-OPRV	\$4,991.00
2-600XHLRHTSTSCG	2" 600 PRV 75-125 PSI Union Inlet Fem x Fem NPT SS trim 180F Tap w/gauge LF	4800-OPRV	\$5,151.00
2-600XHLRL	2" 600 PRV 75-125 PSI Union Inlet Fem x Fem NPT Lead Free no Therm bypass	4800-OPRV	\$4,335.00
2-600XLHTSTSCG	2" 600 PRV 25-75 PSI Union Inlet Cpr Swt x NPT SS trim 180F Tap for gauge LF	4800-OPRV	\$4,816.00
2-600XLHTSTSCP	2" 600 PRV 25-75 PSI Union Inlet Fem x Fem NPT SS trim 180F Tap for gauge LF	4800-OPRV	\$5,078.00
2-600XLLHLR	2" 600 PRV 10-125 PSI Union Inlet Fem x Fem NPT Lead Free no Therm bypass	4800-OPRV	\$4,472.00
2-600XLLHLRSC	2" 600 PRV 10-125 PSI Union Inlet Fem x Fem NPT SS trim LF w/o ThermBypass	4800-OPRV	\$4,652.00
2-600XLLPVG	2" PRV 10-35 PSI Union Inlet Fem x Fem NPT 180F Tap w/ gauge no Therm bypass LF	4800-OPRV	\$5,071.00
2-600XLLPVG	2" 600 PRV 10-35 PSI 180F Union Inlet Fem x Fem NPT Tap w/gauge Lead Free	4800-OPRV	\$5,120.00
2-600XLLPVP	2" 600 PRV 10-35 PSI 180F Union Inlet Fem x Fem NPT Tap for gauge Lead Free	4800-OPRV	\$5,079.00
2-600XLLPVSC	2" 600 PRV 10-35 PSI 180F Union Inlet Fem x Fem NPT SS trim Lead Free	4800-OPRV	\$5,052.00
2-600XLLSC	2" 600 PRV 25-75 PSI Union Inlet Fem x Fem NPT SS trim Lead Free no Therm bypass	4800-OPRV	\$4,238.00
2-600XLLSCG	2" PRV 25-75 PSI Union Inlet Fem x Fem NPT SS trim Tap w/ gauge no Therm bypass LF	4800-OPRV	\$4,350.00
2-600XLLSCG	2" 600 PRV 25-75 PSI Union Inlet Fem x Fem NPT SS trim Tap w/ gauge Lead Free	4800-OPRV	\$4,115.00
2-600XLLSCP	2" 600 PRV 25-75 PSI Union Inlet Fem x Fem NPT SS trim Tap for gauge Lead Free	4800-OPRV	\$4,073.00
34-600HLRBT	Pressure Reducing Valve, British Tapered THD, Hi-Lo Pressure 10-125 psi	4800-OPRV	\$728.00
34-600HLRLUBS	Pressure Reducing Valve, British Straight THD, Hi-Lo Pressure 10-125 psi	4800-OPRV	\$705.00
34-600HLRLUBSHTSTSC	3/4" 600HLRLUBSHTSTSC	4800-OPRV	\$954.00
34-600HLRLUTBS	Pressure Reducing Valve, British Straight, Hi-Lo Pressure 10-125 psi, Less Union Nut	4800-OPRV	\$710.00
34-600HLRLUTBS500KPA	3/4" 600HLRLUTBS SET AT 500KPA	4800-OPRV	\$791.00
34-600XL-BAA	3/4" 600 PRV 25-75 PSI Union Inlet Fem x Fem NPT Lead Free, BAA Compliant	4800-OPRV	\$819.00
34-600XLDM-BAA	3/4" 600 PRV 25-75 PSI Dbl Meter Thrd Lead Free 7.5" long, BAA Compliant	4800-OPRV	\$1,015.00

34-600XLDMHRP	3/4" 600 PRV 75-125 PSI Dbl Meter Thrd Tap for gauge Lead Free 7.5" Long	4800-OPRV	\$1,059.00
34-600XHLRHTSTSCG	3/4" 600 PRV 10-125 PSI Union Inlet Fem x Fem NPT SS trim 180F Tap w/gauge LF	4800-OPRV	\$1,149.00
34-600XHLRLG	3/4" 600 PRV 10-125 PSI Union Inlet Fem x Fem NPT Tap w/gauge no Therm bypass LF	4800-OPRV	\$953.00
34-600XHLRHP	3/4" 600 PRV 10-125 PSI Union Inlet Fem x Fem NPT Tap for gauge Lead Free	4800-OPRV	\$909.00
34-600XHLRSC	3/4" 600 PRV 10-125 PSI Union Inlet Fem x Fem NPT SS trim Lead Free	4800-OPRV	\$889.00
34-600XHLRSCCPVCG	3/4" 600 PRV 10-125 PSI Union Inlet Fem CPVC x Fem NPT SS trim Tap w/gauge	4800-OPRV	\$996.00
34-600XHLRSCSP	3/4" 600 PRV 10-125 PSI Union Inlet Fem x Fem NPT SS trim Tap for gauge LF	4800-OPRV	\$954.00
34-600XHLRHTSTSCG	3/4" 600 PRV 75-125 PSI Union Inlet Fem x Fem NPT SS trim 180F Tap w/gauge LF	4800-OPRV	\$1,118.00
34-600XHLRVHTSTSCG	3/4" 600 PRV 10-35 PSI 180F Union Inlet Fem x Fem NPT SS trim Tap w/gauge LF	4800-OPRV	\$1,297.00
34-600XLLPVP	3/4" 600 PRV 10-35 PSI 180F Union Inlet Fem x Fem NPT Tap for gauge Lead Free	4800-OPRV	\$1,065.00
34-600XLLPVSCG	3/4" 600 PRV 10-35 PSI 180F Uni Inlet Fem x Fem NPT SS trim Tap w/gauge Lead Free	4800-OPRV	\$1,174.00
34-600XLLU-BAA	3/4" 600 PRV 25-75 PSI Fem x Fem NPT Lead Free, BAA Compliant	4800-OPRV	\$801.00
34-600XLLUCH	3/4" 600 PRV 25-75 PSI Fem X Fem NPT Chrome Stem/PIngr Lead Free	4800-OPRV	\$853.00
34-600XLLUG	3/4" 600 PRV 25-75 PSI Fem x Fem NPT Tap w/gauge Lead Free	4800-OPRV	\$840.00
34-600XLLUSC-BAA	3/4" 600 PRV 25-75 PSI Fem x Fem NPT SS trim Lead Free, BAA Compliant	4800-OPRV	\$868.00
34-600XLLUSCG	3/4" 600 PRV 25-75 PSI Fem x Fem NPT SS TrimTap w/ gauge Lead Free	4800-OPRV	\$1,120.00
34-600XLLUSCP	3/4" 600 PRV 25-75 PSI Fem x Fem NPT SS trim Tap for gauge Lead Free	4800-OPRV	\$843.00
34-600XLLSC	3/4" 600 PRV 25-75 PSI Union Inlet Cpr Swt x NPT SS trim Lead Free	4800-OPRV	\$798.00
112-610XLG	1-1/2" 610 PRV 25-75 PSI Union Inlet Fem x Fem NPT Tap w/gauge Lead Free	4800-OPRV	\$3,227.00
112-610XLLVP	1-1/2" PRV 25-75 PSI Union Inlet Fem x Fem NPT SS sleeve Tap for gauge	4800-OPRV	\$3,973.00
112-610XLLSCG	1-1/2" 610 PRV 25-75 PSI Union Inlet Fem x Fem NPT SS trim Tap w/gauge Lead Free	4800-OPRV	\$3,429.00
112-625XL3	1-1/2" 625XL3 Comp Repl PRV 15-75 PSI Sgl Union X Fem NPT Tap for Gge Lead Free	4800-OPRV	\$2,842.00
112-625XL3C	1-1/2" 625XL3 Comp Repl PRV 15-75 PSI Sgl Union CprSwTxFem NPT Tapped Lead Fr	4800-OPRV	\$2,842.00
112-625XL3G	1-1/2" 625XL3 Comp Repl PRV 15-75 PSI Single Union X Fem NPT w/ Gauge Lead Free	4800-OPRV	\$2,952.00
112-625XL3HR	1-1/2" 625XL3 Comp Repl PRV 60-125 PSI Sgl Union X Fem NPT Tap for Gge Lead Free	4800-OPRV	\$3,113.00
112-625XL3HRC	1-1/2" 625XL3 Comp Repl PRV 60-125 PSI Sgl Union CprSwTxFem NPT Tapped Lead Fr	4800-OPRV	\$3,113.00
114-610XLLV	1-1/4" 610 PRV 25-75 PSI Union Inlet Fem x Fem NPT SS sleeve Lead Free	4800-OPRV	\$3,045.00
12-610XLG	1/2" 610 PRV 25-75 PSI Union Inlet Fem x Fem NPT Tap w/ gauge Lead Free	4800-OPRV	\$957.00
1-610XLG	1" 610 PRV 25-75 PSI Union Inlet Fem x Fem NPT Tap w/ gauge Lead Free	4800-OPRV	\$1,317.00
1-610XLLU	1" 610 PRV 25-75 PSI Fem x Fem NPT Lead Free	4800-OPRV	\$1,212.00
1-610XLLUSCCH	1" 610 PRV 25-75 PSI Fem x Fem NPT Chrome Stem/PIngr SS trim Lead Free	4800-OPRV	\$1,454.00
1-610XLLV	1" 610 PRV 25-75 PSI Union Inlet Fem x Fem NPT SS sleeve Lead Free	4800-OPRV	\$1,436.00
1-610XLLSCG	1" 610 PRV 25-75 PSI Union Inlet Fem x Fem NPT SS trim Tap w/gauge Lead Free	4800-OPRV	\$1,390.00
2-610XHLR	2" 610 PRV 10-125 PSI Union Inlet Fem x Fem NPT Lead Free	4800-OPRV	\$4,336.00
2-610XLHTSTSC	2" 610 PRV 75-125 PSI Union Inlet Fem x Fem NPT SS trim 180F Lead Free	4800-OPRV	\$4,815.00
2-610XLHTSTSCP	2" 610 PRV 75-125 PSI Unn Inlet FemxFem NPT SS trim 180F Tap For Gaug Lead Free	4800-OPRV	\$4,887.00
2-610XLL	2" 610 PRV 25-75 PSI Union Inlet Fem x Fem NPT Lead Free no Therm bypass	4800-OPRV	\$3,731.00
2-610XLLVP	2" 610 PRV 25-75 PSI Union Inlet Fem x Fem NPT SS sleeve Tap for gauge Lead Free	4800-OPRV	\$5,378.00
2-610XLP	2" 610 PRV 25-75 PSI Union Inlet Fem x Fem NPT Tap for gauge Lead Free	4800-OPRV	\$3,933.00
2-610XLLSCCH	2" 610 PRV 25-75 PSI Union Inlet Fem x Fem NPT Chrome Stem/PIngr SS trim LF	4800-OPRV	\$4,763.00
2-610XLLSCCHP	2" 610 PRV 25-75 PSI Union Inlet FemxFem NPT Chrome Intrnl SS trim Tap for gauge	4800-OPRV	\$4,827.00
2-625XL3	2" 625XL3 Comp Repl PRV 15-75 PSI Sgl Union X Fem NPT Tap for Gauge Lead Free	4800-OPRV	\$3,619.00
2-625XL3C	2" 625XL3 Comp Repl PRV 15-75 PSI Sgl Union CprSwTxFem NPT Tap for Gge Lead Free	4800-OPRV	\$3,619.00
2-625XL3G	2" 625XL3 Comp Repl PRV 15-75 PSI Single Union X Fem NPT w/ Gauge Lead Free	4800-OPRV	\$3,727.00
2-625XL3HR	2" 625XL3 Comp Repl PRV 60-125 PSI Single Union X Fem NPT Tap for Gge Lead Free	4800-OPRV	\$3,936.00
34-610XLG	3/4" 610 PRV 25-75 PSI Union Inlet Fem x Fem NPT Tap w/ gauge Lead Free	4800-OPRV	\$958.00
34-610XLLUSCCH	3/4" 610 PRV 25-75 PSI Fem x Fem NPT Chrome Stem/PIngr SS trim Lead Free	4800-OPRV	\$1,035.00
RK112-610HLR	Repair Kit - 610HLR	4800-PART	\$396.00
1-625XLLCPVC	1" 625 Compet. Replcmnt PRV 25-75 PSI Union Inlet Fem CPVC x Fem NPT Lead Free	4800-OPRV	\$998.00
1-625XLHLR	1" 625 Compet. Replcmnt PRV 10-125 PSI Union Inlet Fem x Fem NPT Lead Free	4800-OPRV	\$1,123.00
1-625XHLRG	1" 625 Compet. Replcmnt PRV 10-125 PSI Union Inlet Fem x Fem NPT Tap w/gauge LF	4800-OPRV	\$1,237.00
1-625XHLR	1" 625 Compet. Replcmnt PRV 75-125 PSI Union Inlet Fem x Fem NPT Lead Free	4800-OPRV	\$1,087.00

1-625XLHRS	1" 625 Compet. Replcmnt PRV 75-125 PSI Union Inlet Fem x Fem NPT SS trim LF	4800-OPRV	\$1,154.00
1-625XLHRS	1" 625 Compet Replc PRV 10-35 PSI 180F Unn Inlet FemxFem NPT SS trim TapFouGau	4800-OPRV	\$1,757.00
1-625XLLPV	1" 625 Compet. Replcmnt PRV 10-35 PSI 180F Union Inlet Fem x Fem NPT LF	4800-OPRV	\$1,331.00
34-625XLG	3/4" 625 Compet. Replcmnt PRV 25-75 PSI Union Inlet Fem x Fem NPT Tap w/gauge LF	4800-OPRV	\$744.00
34-625XLHLR	3/4" 625 Compet. Replcmnt PRV 10-125 PSI Union Inlet Fem x Fem NPT Lead Free	4800-OPRV	\$843.00
34-625XLHLRSULLU	3/4" 625 Compet. Replcmnt PRV 10-125 PSI Use existing union x Fem NPT Lead Free	4800-OPRV	\$818.00
34-625XLHLRSULLUSCG	Compet. Replcmnt PRV 10-125 PSI Use existing union x Fem NPT SS trim w/gauge LF	4800-OPRV	\$885.00
34-625XLHRS	3/4" 625 Compet. Replcmnt PRV 75-125 PSI Union Inlet Fem x Fem NPT SS trim LF	4800-OPRV	\$861.00
34-625XLLPV	3/4" 625 Compet. Replcmnt PRV 10-35 PSI 180F Union Inlet Fem x Fem NPT LF	4800-OPRV	\$998.00
15-700DC	15MM (1/2") 700 DUAL CHECK BSPP AUS	4800-OPRV	\$135.00
15-700XL	15mm (1/2") 700 Dual Check BSPP, Lead Free	4800-OSBF	\$151.00
10FX1F-700	Dual Check Valve, Union FNPT x FNPT	4800-OSBF	\$157.00
34FX34F-700	Dual Check Valve, Union FNPT x FNPT	4800-OSBF	\$154.00
RK14-700	Repair Kit - 700 Dual Check	4800-PART	\$57.00
RK34-700	Repair Kit - 700 Dual Check	4800-PART	\$59.00
1FX1UF-705	Dual Check Valve, Lead-Free, FNPT x Union FNPT	4800-OSBF	\$122.00
10FX1F-705	Dual Check Valve, Union Female CU SWT x FNPT	4800-OSBF	\$185.00
10FX1F-705	Dual Check Valve, Lead-Free, Union Female Meter x FNPT	4800-OSBF	\$141.00
10FX1F-705	Dual Check Valve, Lead-Free, Union Female Meter x FNPT	4800-OSBF	\$141.00
10FX1F-705	Dual Check Valve, Lead-Free, Union FNPT x FNPT	4800-OSBF	\$141.00
10MX1F-705	Dual Check Valve, Lead-Free, Union MNPT x FNPT	4800-OSBF	\$153.00
34FX34UF-705	Dual Check Valve, Lead-Free, FNPT x Union FNPT	4800-OSBF	\$122.00
34UFBSX34FBT-705	Dual Check Valve, Lead-Free, Union Female British Straight x Female British Tapered	4800-OSBF	\$187.00
34UFX34F-705	Dual Check Valve, Lead-Free, Union Female CU SWT x FNPT	4800-OSBF	\$171.00
34UFX34F-705	Dual Check Valve, Lead-Free, Union FNPT x FNPT	4800-OSBF	\$141.00
1-710	1" 710 PVB W/BV NON-POTABLE	4800-OVB	\$808.00
34-710	3/4" 710 PVB W/BV NON-POTABLE	4800-OVB	\$663.00
RK34-710	STANDARD REPAIR KIT, 3/4 - 1" 710	4800-PART	\$70.00
1-720APLT	1" 720A MINI PLT. QTY.36	4800-OVB	\$35,303.00
34-720APLT	3/4" 720A MINI PLT. QTY.36	4800-OVB	\$30,614.00
38-730	Laboratory Faucet Vacuum Breaker, FNPT x FNPT, Chrome	4800-OSBF	\$288.00
38-730FM	Laboratory Faucet Vacuum Breaker, FNPT x Male NPT, Chrome	4800-OSBF	\$340.00
38-735	Laboratory Faucet Vacuum Breaker, FNPT x FNPT, Brass	4800-OSBF	\$281.00
38-735CH	Laboratory Faucet Vacuum Breaker, FNPT x FNPT, Chrome	4800-OSBF	\$296.00
38-740	Dual Check w/Atmospheric Vent, SAE 45 x SAE 45, Vending Machine Applications	4800-OSBF	\$444.00
38-740F	Dual Check w/Atmospheric Vent, 3/8" FNPT x 3/8" FNPT, Vending Machine Applications	4800-OSBF	\$436.00
12-760	Dual Check w/Atmospheric Vent, Double Union FNPT	4800-OSBF	\$271.00
12-760BSTH	Dual Check w/Atmospheric Vent, BSPP Thread	4800-OSBF	\$370.00
12-760C	Dual Check w/Atmospheric Vent, Double Union Female CU SWT	4800-OSBF	\$271.00
12-760CTPK	TAILPIECE KIT, 1/2" FCTAILPIECEKIT12"FC	4800-OPRV	\$54.00
12-760DRBS	Dual Check w/Atmospheric Vent, Double Union Female BSPP THD, DZR Metal	4800-OSBF	\$407.00
12-760TPK	TAILPIECE KIT, 1/2" FNPTTAILPIECEKIT12"FNPT	4800-OPRV	\$61.00
12-760XDRBS	1/2" (DN15) 760XL BSPP LEAD FREE	4800-OSBF	\$407.00
34-760	Dual Check w/Atmospheric Vent, Double Union FNPT	4800-OSBF	\$312.00
34-760C	Dual Check w/Atmospheric Vent, Double Union Female CU SWT	4800-OSBF	\$312.00
34-760CTPK	TAILPIECE KIT, 3/4" FCTAILPIECEKIT34"FC	4800-OPRV	\$61.00
34-760DRBS	Dual Check w/Atmospheric Vent, Double Union Female BSPP THD, DZR Metal	4800-OSBF	\$407.00
34-760TPK	TAILPIECE KIT, 3/4" FNPTTAILPIECEKIT34"FNPT	4800-OPRV	\$61.00
34-760XDRBS	3/4" (DN20) 760XL BSPP LEAD FREE	4800-OSBF	\$407.00
112-850	Ball Valve, FNPT x FNPT	4800-OOGV	\$440.00
112-850BSPT	BALL VALVE, 1-1/2" BSPTBALLVALVE,1-1/2"BSPT	4800-OOGV	\$1,023.00
112-850T	Ball Valve, FNPT x FNPT, Tapped	4800-OOGV	\$467.00
112-850XLRL	BALL VLV, 1-1/2" W/UN, HNDL REV	4800-OOGV	\$960.00
114-850	Ball Valve, FNPT x FNPT	4800-OOGV	\$323.00
114-850BSPT	BALL VALVE, 1-1/4" BSPTBALLVALVE,1-1/4"BSPT	4800-OOGV	\$752.00
114-850T	Ball Valve, FNPT x FNPT, Tapped	4800-OOGV	\$328.00
114-850TU	Depleting, SEE 114-850TUXL	4800-OOGV	\$440.00
114-850XLRL	BALL VLV, 1-1/4" W/UN, HNDL REV	4800-OOGV	\$641.00
12-850MSS	BALL VALVE, 1/2" MALE SS LEAD FREE	4800-OOGV	\$204.00
12-850TM	BALL VALVE, 1/2" MALE TAP SS HNDL	4800-OOGV	\$135.00
12-850TMSS	BALL VALVE, 1/2" MALE TAP SS LEAD FREE	4800-OOGV	\$231.00
1-850	Ball Valve, FNPT x FNPT	4800-OOGV	\$219.00
1-850BSPT	BALL VALVE, 1" BSPTBALLVALVE,1"BSPT	4800-OOGV	\$500.00
1-850SB	BALL VLV 1" SS BALL/HNDL	4800-OOGV	\$368.00
1-850T	Ball Valve, FNPT x FNPT, Tapped	4800-OOGV	\$240.00
1-850TSB	B VLV 1" TAP SS BALL/HNDL	4800-OOGV	\$572.00
1-850TU	BALL VALVE, 1" TAPPED W/U NON-POTABLE SS HNDL	4800-OOGV	\$370.00
1-850U	BALL VALVE, 1" W/U NON-POTABLE SS HNDL	4800-OOGV	\$363.00
2-850	Ball Valve, FNPT x FNPT	4800-OOGV	\$665.00
2-850BSPT	BALL VALVE, 2" BSPTBALLVALVE,2"BSPT	4800-OOGV	\$1,526.00
2-850T	Ball Valve, FNPT x FNPT, Tapped	4800-OOGV	\$763.00
34-850	Ball Valve, FNPT x FNPT	4800-OOGV	\$143.00
34-850BSPT	BALL VALVE, 3/4" BSPTBALLVALVE,3/4"BSPT	4800-OOGV	\$315.00
34-850SB	BALL VLV 3/4" SS BALL/HNDL	4800-OOGV	\$221.00
34-850SS-316	BALL VALVE, 3/4" 316SS	4800-OOGV	\$876.00
34-850T	Ball Valve, FNPT x FNPT, Tapped	4800-OOGV	\$152.00
34-850TSPT	BALL VALVE, 3/4" T BSPTBALLVALVE,3/4"TSPT	4800-OOGV	\$144.00
34-850TSB	B VLV 3/4" TAP SS BALL/HNDL	4800-OOGV	\$426.00
34-850TU	BALL VALVE, 3/4" TAPPED W/U NON-POTABLE SS HNDL	4800-OOGV	\$269.00
34-850TUXL-52B	BALL VALVE, 3/4" TAP, LF SS HNDL W/STR ELBOW	4800-OOGV	\$269.00
34-850U	BALL VALVE, 3/4" W/U NON-POTABLE SS HNDL	4800-OOGV	\$247.00

34-850XL-52B	BALL VALVE, 3/4" LF SS HNDL W/STR ELBOW	4800-OOGV	\$255.00
38-850M	BALL VALVE, 3/8" MALE SS HNDL	4800-OOGV	\$114.00
38-850MST	BALL VLV 3/8" MALE SS	4800-OOGV	\$297.00
38-850MXLS	BALL VALVE W/ INTEGRAL STRAINER, 3/8" MALE LEAD FREE SS HNDL	4800-OOGV	\$194.00
38-850T	Ball Valve, FNPT x FNPT, Tapped	4800-OOGV	\$133.00
38-850TM	BALL VALVE, 3/8" MALE TAP SS HNDL	4800-OOGV	\$130.00
38-850TMST	BALL VLV 3/8" MALE TAP SS	4800-OOGV	\$323.00
14-860	TEST COCK, 1/4" X 1/4" NPT NON-POTABLE	4800-OMWS	\$72.00
14-860B	TEST COCK, 1/4" X 1/4" FAST TEST NON-POTABLE	4800-OMWS	\$82.00
14-860BS	TESTCOCK, 1/4" NPT X 1/4" BSPP	4800-OMWS	\$86.00
14-860BT	1/4" BSPT (ISO 7-1 RC) TESTCOCK	4800-OMWS	\$86.00
18-860	TEST COCK, 1/8" X 1/4" NON-POTABLE	4800-OMWS	\$72.00
18-860B	TEST COCK, 1/8" FAST TEST NON-POTABLE	4800-OMWS	\$82.00
18-860BS	TESTCOCK, 1/8" NPT X 1/4" BSPP	4800-OMWS	\$86.00
18-860BT	1/8" BSPT (ISO 7-1 RC) TESTCOCK	4800-OMWS	\$86.00
34-910XL	3/4" SINGLE CHECK LEAD FREE	4800-OSBF	\$273.00
112-950XL	1-1/2" 950 DC Less shutoff NPT Y-pattern Non Potable	4800-OSBF	\$1,718.00
112-950XLBS	1-1/2" 950 DC Less shutoff BSPP Y-pattern	4800-OSBF	\$2,102.00
112-950XLBT	1-1/2" 950 DC Less shutoff BSPT Y-pattern	4800-OSBF	\$2,102.00
112-950XLFBTS	1-1/2" 950 DC Less shutoff Fasttest TC BSPP Y-pattern	4800-OSBF	\$2,145.00
112-950XLFBT	1-1/2" 950 DC Less shutoff Fasttest TC BSPT Y-pattern	4800-OSBF	\$2,095.00
112-950XLTCBS	1-1/2" 950 DC Less shutoff Less TC BSPP Y-pattern	4800-OSBF	\$2,065.00
112-950XLS	1-1/2" 950 DC Less shutoff NPT SXL Strain Y-pattern Non Potable	4800-OSBF	\$2,202.00
112-950XLZFT	1-1/2" 950 DC Less shutoff Fasttest TC NPT Top Access Lead Free	4800-OSBF	\$2,108.00
112-950XL	1-1/2" 950 DC Ball Vlv NPT Y-pattern Non Potable	4800-OSBF	\$2,108.00
112-950XL3BFS	1-1/2" 950XL3 DC Bfly w/Switch NPT Top Access Lead Free	4800-OSBF	\$6,991.00
112-950XL3U	1 1/2" 950XL3, DC Assembly, Cast Bronze Lead Free, Union Ball Valve, NPT	4800-OSBF	\$3,033.00
112-950XLZFTS	1-1/2" 950 DC Ball Vlv Fasttest TC NPT SXL Strain Top Access Lead Free	4800-OSBF	\$3,072.00
112-950XLTCUFT	1-1/2" 950 DC Ball Vlv Fasttest TC-up NPT Y-pattern Non Potable	4800-OSBF	\$2,305.00
112-950XLTOY	1-1/2" 950 DC OS&Y gates NPT Top Access Non Potable	4800-OSBF	\$6,725.00
114-950XLBS	1-1/4" 950 DC Less shutoff BSPP Y-pattern	4800-OSBF	\$2,113.00
114-950XLBT	1-1/4" 950 DC Less shutoff BSPT Y-pattern	4800-OSBF	\$2,113.00
114-950XLFBTS	1-1/4" 950 DC Less shutoff Fasttest TC BSPP Y-pattern	4800-OSBF	\$2,187.00
114-950XLFBT	1-1/4" 950 DC Less shutoff Fasttest TC BSPT Y-pattern	4800-OSBF	\$2,087.00
114-950XLTCBS	1-1/4" 950 DC Less shutoff Less TC BSPP Y-pattern	4800-OSBF	\$2,076.00
114-950XL3BFS	1-1/4" 950XL3 DC Bfly w/Switch NPT Top Access Lead Free	4800-OSBF	\$6,521.00
114-950XL3U	1 1/4" 950XL3, DC Assembly, Cast Bronze Lead Free, Union Ball Valve, NPT	4800-OSBF	\$2,832.00
114-950XLZUFT	1-1/4" 950 DC Union Ball Vlv Fasttest TC NPT Top Access Lead Free	4800-OSBF	\$3,717.00
114-950XLTOY	1-1/4" 950 DC OS&Y gates NPT Top Access Non Potable	4800-OSBF	\$5,898.00
12-950XLZFT	3/4" 950 DC Ball Vlv Fasttest TC NPT Top Access Lead Free, 1/2" pipe bushings	4800-OSBF	\$1,218.00
1-950XL	1" 950 DC Less shutoff NPT Y-pattern Non Potable	4800-OSBF	\$638.00
1-950XLBS	1" 950 DC Less shutoff BSPP Y-pattern	4800-OSBF	\$991.00
1-950XLBT	1" 950 DC Less shutoff BSPT Y-pattern	4800-OSBF	\$991.00
1-950XLFBTS	1" 950 DC Less shutoff Fasttest TC BSPP Y-pattern	4800-OSBF	\$1,003.00
1-950XLFBT	1" 950 DC Less shutoff Fasttest TC BSPT Y-pattern	4800-OSBF	\$1,003.00
1-950XLS	1" 950 DC Less shutoff NPT SXL Strain Y-pattern Non Potable	4800-OSBF	\$886.00
1-950XLZFT	1" 950 DC Less shutoff Fasttest TC NPT Top Access Lead Free	4800-OSBF	\$816.00
1-950XLTCU	1" 950 DC Less shutoff Testcock-up NPT Y-pattern Non Potable	4800-OSBF	\$830.00
1-950XL3L	1" 950XL3 DC Ball Vlv NPT Top Access Lead Free Less Inlet Ball Valve	4800-OSBF	\$918.00
1-950XLZ2-BAA	1" 950 DC Ball Vlv NPT Top Access Lead Free, BAA Compliant	4800-OSBF	\$1,098.00
1-950XLZ2FTS	1" 950 DC Ball Vlv Fasttest TC NPT SXL Strain Top Access Lead Free	4800-OSBF	\$1,244.00
1-950XLZ2SF	1" 950 DC Ball Vlv NPT silicone free, SXL Strain Top Access Lead Free	4800-OSBF	\$1,046.00
1-950XLZ2-BAA	1" 950 DC Ball Vlv NPT Top Access Non Potable, BAA Compliant	4800-OSBF	\$861.00
1-950XLTCU	DEPLETING, 1" 950XL W/BV TC UP	4800-OSBF	\$980.00
1-950XLTCUFT	1" 950 DC Ball Vlv Fasttest TC-up NPT Y-pattern Non Potable	4800-OSBF	\$980.00
2-950XL	2" 950 DC Less shutoff NPT Y-pattern Non Potable	4800-OSBF	\$1,939.00
2-950XLZLF	2" 950 Dual Check Less shutoff Less tescock NPT Y-pattern Lead Free	4800-OSBF	\$2,267.00
2-950XLBS	2" 950 DC Less shutoff BSPP Y-pattern	4800-OSBF	\$2,168.00
2-950XLBT	2" 950 DC Less shutoff BSPT Y-pattern	4800-OSBF	\$2,168.00
2-950XLFBTS	2" 950 DC Less shutoff Fasttest TC BSPP Y-pattern	4800-OSBF	\$2,175.00
2-950XLFBT	2" 950 DC Less shutoff Fasttest TC BSPT Y-pattern	4800-OSBF	\$2,140.00
2-950XLTCBS	2" 950 DC Less shutoff Less TC BSPP Y-pattern	4800-OSBF	\$1,962.00
2-950XLS	2" 950 DC Less shutoff NPT SXL Strain Y-pattern Non Potable	4800-OSBF	\$2,642.00
2-950XLZFT	2" 950 DC Less shutoff Fasttest TC NPT Top Access Lead Free	4800-OSBF	\$2,380.00
2-950XLTCU	2" 950 DC Less shutoff Testcock-up NPT Y-pattern Non Potable	4800-OSBF	\$2,135.00
2-950XLZLDCFM	2" 950 DCDA Less shutoff CU FT Mtr NPT Top Access Non Potable	4800-OSBF	\$4,476.00
2-950XLZLDMFTB	2" 950 DCDA Less shutoff Fasttest TC Less Mtr BSPT Top Access	4800-OSBF	\$7,077.00
2-950XLZLDMNYC	2" 950 DCDA Less shutoff Less Mtr NYC NPT Top Access Non Potable	4800-OSBF	\$5,011.00
2-950XL3BFS	2" 950XL3 DC Bfly w/Switch NPT Top Access Lead Free	4800-OSBF	\$7,890.00
2-950XL3BFSFT	2" 950XL3 DC Bfly w/Switch NPT Top Access Fast Test Test Cocks Lead Free	4800-OSBF	\$7,890.00
2-950XLZ2-BAA	2" 950 DC Ball Vlv NPT Top Access Lead Free, BAA Compliant	4800-OSBF	\$3,215.00
2-950XLZ2BFSFT	2" 950 DC BFLY w/Switch Fasttest TC NPT Top Access Lead Free	4800-OSBF	\$8,559.00

2-950XLT2F5	2" 950 DC Ball Vlv Fastest TC NPT SXL Strainr Top Access Lead Free	4800-OSBF	\$3,628.00
2-950XLTBFSSFT	2" 950 DC BFLY w/Switch Fastest TC NPT Top Access Non Potable	4800-OSBF	\$8,828.00
2-950XLTUCFT	2" 950 DC Ball Vlv Fastest TC-up NPT Y-pattern Non Potable	4800-OSBF	\$2,571.00
2-950XLTABFLMNYC	Depleting, SEE 2-950XLTABFSSLMNYC	4800-OSBF	\$6,472.00
2-950XLTABFSSCMM	2" 950 DCDA BFLY w/Switch CU Mtr Mtr NPT Top Access Non Potable	4800-OSBF	\$9,349.00
2-950XLTABFSSLMFT	2" 950 DCDA BFLY w/Switch Fastest TC Less Mtr NPT Top Access Non Potable	4800-OSBF	\$6,989.00
2-950XLTABFSSLMRV	2" 950 DCDA Top Access Non Potable BFLY w/Switch Less MTR Rvse DA	4800-OSBF	\$6,989.00
2-950XLTALMF	2" 950 DCDA Top Access Non Potable Less MTR w/Meter Flanges	4800-OSBF	\$4,777.00
2-950XLTOSY	2" 950 DC OS&Y gates NPT Top Access Non Potable	4800-OSBF	\$7,782.00
34-950XL	3/4" 950 DC Less shutoff NPT Y-pattern Non Potable	4800-OSBF	\$580.00
34-950XLBS	3/4" 950 DC Less shutoff BSPP Y-pattern	4800-OSBF	\$991.00
34-950XLBT	3/4" 950 DC Less shutoff BSPT Y-pattern	4800-OSBF	\$991.00
34-950XLFT	3/4" 950 DC Less shutoff Fastest TC NPT Y-pattern Non Potable	4800-OSBF	\$580.00
34-950XLFTBS	3/4" 950 DC Less shutoff Fastest TC BSPP Y-pattern	4800-OSBF	\$991.00
34-950XLFTBT	3/4" 950 DC Less shutoff Fastest TC BSPT Y-pattern	4800-OSBF	\$991.00
34-950XLXS	3/4" 950 DC Less shutoff NPT SXL Strainr Y-pattern Non Potable	4800-OSBF	\$788.00
34-950XLXTCU	3/4" 950 DC Less shutoff Testcock-up NPT Y-pattern Non Potable	4800-OSBF	\$777.00
34-950XLDTCU	3/4" 950 DC detector bypass, male NPT Testcock up Y-pattern Non Potable	4800-OSBF	\$1,217.00
34-950XL72-BAA	3/4" 950 DC Ball Vlv NPT Top Access Lead Free, BAA Compliant	4800-OSBF	\$998.00
34-950XLT2F5	3/4" 950 DC Ball Vlv Fastest TC NPT SXL Strainr Top Access Lead Free	4800-OSBF	\$1,111.00
PK112-950XL3	4-Color Box, 1-1/2" 950XL3 19.1 X 11.2 X 6.8	4800-PART	\$9.00
PK114-950XL3	4-Color Box, 1-1/4" 950XL3 19.1 X 11.2 X 6.8	4800-PART	\$9.00
PK1-950XL3	4-Color Box, 1" 950XL3 13 X 8.1 X 5.5	4800-PART	\$8.00
PK2-950XL3	4-Color Box, 2" 950XL3 21.3 X 13.4 X 7.3	4800-PART	\$10.00
112-975XL2FT	1-1/2" 975 RP Less shutoff Fastest TC NPT Y-pattern Lead Free	4800-OSBF	\$2,805.00
112-975XL2-BAA	1-1/2" 975 RP Ball Vlv NPT Y-pattern Lead Free, BAA Compliant	4800-OSBF	\$4,093.00
112-975XL2BFSS	1-1/2" 975 RP BFLY w/Switch NPT Y-pattern Lead Free	4800-OSBF	\$11,191.00
112-975XL2MS	1-1/2" 975XL2 w/ Relief Valve Monitor Switch Lead Free	4800-OSBF	\$5,327.00
112-975XL2MSFC	1-1/2" 975 RP MonSwitch FCIS Ball Vlv NPT Y-pattern Lead Free	4800-OSBF	\$6,510.00
112-975XL2MSFCAG	1-1/2" 975 RP MonSwitch FCIS Ball Vlv NPT Y-pattern Lead Free w/air gap	4800-OSBF	\$6,893.00
112-975XL2MSFCS	1-1/2" 975 RP MonSwitch FCIS Ball Vlv NPT SXL Strainr Y-pattern Lead Free	4800-OSBF	\$7,377.00
112-975XL2MSFCSAG	1-1/2" 975 RP MonSwitch FCIS Ball Vlv NPT SXL Strainr w/air gap	4800-OSBF	\$7,387.00
112-975XL2MSFCTCUSAG	1-1/2" 975 RP MonSwitch FCIS Ball Vlv Testcock-up NPT SXL Strainr w/air gap	4800-OSBF	\$7,573.00
112-975XL2SAG-BAA	1-1/2" 975 RP Ball Vlv NPT SXL Strnr Y-patrn Lead Free w/ Air gap,BAA Compliant	4800-OSBF	\$5,059.00
112-975XL2S-BAA	1-1/2" 975 RP Ball Vlv NPT SXL Strainr Y-pattern Lead Free, BAA Compliant	4800-OSBF	\$4,640.00
112-975XL2UAG	1-1/2" 975 RP Union Ball Vlv NPT Y-pattern Lead Free w/air gap	4800-OSBF	\$4,147.00
112-975XL2USAG	1-1/2" 975 RP Union Ball Vlv NPT SXL Strainr Y-pattern Lead Free w/air gap	4800-OSBF	\$4,561.00
112-975XL2UTCUSAG	1-1/2" 975 RP Union Ball Vlv Testcock-up NPT Strnr Y-ptrtn Lead Free w/Air Gap	4800-OSBF	\$4,846.00
112-975XL2BFSS	1-1/2" 975XL3 DC Bfly w/Switch NPT Top Access Lead Free	4800-OSBF	\$9,688.00
112-975XL-BAA	1-1/2" 975 RP Ball Vlv NPT Y-pattern Non Potable, BAA Compliant	4800-OSBF	\$3,205.00
112-975XL-T	1-1/2" 975 RP Ball Vlv NPT Y-pattern Non Potable #2 T seat not apprvd	4800-OSBF	\$4,688.00
112-975XLTCUSAG	1-1/2" 975 RP Ball Vlv Testcock-up NPT SXL Strainr w/air gap	4800-OSBF	\$3,983.00
112-ACVF(C)STH24NCP	FCIS subassembly, 1-1/2" Solenoid Valve, Endpoint, Connector kits	4800-OSBF	\$22,856.00
114-975XL2-BAA	1-1/4" 975 RP Ball Vlv NPT Y-pattern Lead Free, BAA Compliant	4800-OSBF	\$4,063.00
114-975XL2BFSS	1-1/4" 975 RP BFLY w/Switch NPT Y-pattern Lead Free	4800-OSBF	\$8,849.00
114-975XL2MS	1-1/4" 975XL2 w/ Relief Valve Monitor Switch Lead Free	4800-OSBF	\$5,301.00
114-975XL2MSFC	1-1/4" 975 RP MonSwitch FCIS Ball Vlv NPT Y-pattern Lead Free	4800-OSBF	\$6,037.00
114-975XL2MSFCAG	1-1/4" 975 RP MonSwitch FCIS Ball Vlv NPT Y-pattern Lead Free w/air gap	4800-OSBF	\$5,416.00
114-975XL2MSFCS	1-1/4" 975 RP MonSwitch FCIS Ball Vlv NPT SXL Strainr Y-pattern Lead Free	4800-OSBF	\$6,393.00
114-975XL2MSFCSAG	1-1/4" 975 RP MonSwitch FCIS Ball Vlv NPT SXL Strainr w/air gap	4800-OSBF	\$6,778.00
114-975XL2MSFCSGCC	1-1/4" 975 RP MonSwitch FCIS Ball Vlv NPT SXL Strainr Y-pattern, w/2 40XL2 check	4800-OSBF	\$5,820.00
114-975XL2MSFCTCUAG	1-1/4" 975 RP MonSwitch FCIS Ball Vlv Testcock-up NPT w/ Air Gap Lead Free	4800-OSBF	\$5,616.00
114-975XL2SAG-BAA	1-1/4" 975 RP Ball Vlv NPT SXL Strnr Y-patrn Lead Free w/air gap, BAA Compliant	4800-OSBF	\$4,882.00
114-975XL2S-BAA	1-1/4" 975 RP Ball Vlv NPT SXL Strainr Y-pattern Lead Free, BAA Compliant	4800-OSBF	\$4,466.00
114-975XL2UAG	1-1/4" 975 RP Union Ball Vlv NPT Y-pattern Lead Free w/air gap	4800-OSBF	\$4,094.00
114-975XL2USAG	1-1/4" 975 RP Union Ball Vlv NPT SXL Strainr Y-pattern Lead Free w/air gap	4800-OSBF	\$4,392.00
114-975XL2UTCUSAG	1-1/4" 975 RP Union Ball Vlv Testcock-up NPT Y-pattern strainer w/air gap Lead	4800-OSBF	\$4,665.00
114-975XL-BAA	1-1/4" 975 RP Ball Vlv NPT Y-pattern Non Potable, BAA Compliant	4800-OSBF	\$3,106.00

114-975XL-T	1-1/4" 975 RP Ball Vlv NPT Y-pattern Non Potable #2 T seat not apprvd	4800-OSBF	\$4,273.00
114-975XLTCUSAG	1-1/4" 975 RP Ball Vlv Testcock-up NPT SXL Strainr w/air gap	4800-OSBF	\$3,765.00
12-975XL2-BAA	1/2" 975 RP Ball Vlv NPT Y-pattern Lead Free, BAA Compliant	4800-OSBF	\$2,117.00
12-975XL2US	1/2" 975 RP Union Ball Vlv NPT SXL Strainr Y-pattern Lead Free	4800-OSBF	\$2,738.00
12-975XL2UTCUSAG	1/2" 975 RP Ball Union Vlv Testcock-up NPT SXL Strnr Y-patrn Lead Free w/airgap	4800-OSBF	\$2,832.00
12-975XL3SE	1/2" 975XL3, RP Assembly, Cast Bronze Lead Free, Sweeping Elbow, Ball Valve, NPT	4800-OSBF	\$2,034.00
1-975XL2TCUFT	1" 975 RP Less shutoff Fastest TC-up NPT Y-pattern Lead Free	4800-OSBF	\$1,946.00
1-975XL2-BAA	1" 975 RP Ball Vlv NPT Y-pattern Lead Free, BAA Compliant	4800-OSBF	\$2,339.00
1-975XL2SAG-BAA	1" 975 RP Ball Vlv NPT SXL Strainr Y-pattern Lead Free w/air gap, BAA Compliant	4800-OSBF	\$2,923.00
1-975XL2S-BAA	1" 975 RP Ball Vlv NPT SXL Strainr Y-pattern Lead Free, BAA Compliant	4800-OSBF	\$2,613.00
1-975XL2SEFT	1" 975 RP Vert St Ell Ball Vlv Fastest TC NPT Y-pattern Lead Free	4800-OSBF	\$2,993.00
1-975XL2SEUOS	Depleting, 1" 975XL2 RP w/UBV SEE OLD STYLE, LEAD FREE	4800-OSBF	\$2,468.00
1-975XL2UAG	1" 975 RP Union Ball Vlv NPT Y-pattern Lead Free w/air gap	4800-OSBF	\$2,345.00
1-975XL2USAG	1" 975 RP Union Ball Vlv NPT SXL Strainr Y-pattern Lead Free w/air gap	4800-OSBF	\$2,882.00
1-975XL2USAG-T	1" 975 RP Union Ball Vlv NPT SXL Strainr w/air gap #2 T seat not apprvd	4800-OSBF	\$3,565.00
1-975XL2UTCUS	1" 975 RP Union Ball Vlv Testcock-up NPT SXL Strainr Y-pattern Lead Free	4800-OSBF	\$2,805.00
1-975XL2UTCUSAG	1" 975 RP Union Ball Vlv Testcock-up NPT Strnr Y-ptrtn Lead Free w/Air Gap	4800-OSBF	\$3,092.00
1-975XL-BAA	1" 975 RP Ball Vlv NPT Y-pattern Non Potable, BAA Compliant	4800-OSBF	\$1,676.00
1-975XL-SAG-T	1" 975 RP Ball Vlv Strainr Y-pattern Non Potable w/air gap #2 T seat not apprvd	4800-OSBF	\$2,876.00
1-975XLTCUSAG	1" 975 RP Ball Vlv Testcock-up NPT SXL Strainr Y-pattern Non Potable w/air gap	4800-OSBF	\$2,245.00
2-975XL2BT	2" 975 RP Less shutoff BSPT Y-pattern Lead Free	4800-OSBF	\$4,147.00
2-975XL2-BAA	2" 975 RP Ball Vlv NPT Y-pattern Lead Free, BAA Compliant	4800-OSBF	\$4,543.00
2-975XL2BFSS	2" 975 RP BFLY w/Switch NPT Y-pattern Lead Free	4800-OSBF	\$11,378.00
2-975XL2FDC	2" 975 RP Ball Vlv Hydrant fittings Y-pattern Lead Free	4800-OSBF	\$6,816.00
2-975XL2MS	2" 975XL2 w/ Relief Valve Monitor Switch Lead Free	4800-OSBF	\$5,737.00
2-975XL2MSFC	2" 975 RP MonSwitch FCIS Ball Vlv NPT Y-pattern Lead Free	4800-OSBF	\$7,227.00
2-975XL2MSFCAG	2" 975 RP MonSwitch FCIS Ball Vlv NPT Y-pattern Lead Free w/air gap	4800-OSBF	\$7,551.00
2-975XL2MSFCSAG	2" 975 RP MonSwitch FCIS Ball Vlv NPT SXL Strainr Y-pattern Lead Free w/air gap	4800-OSBF	\$8,877.00
2-975XL2MSFCSGCC	2" 975 RP MonSwitch FCIS Ball Vlv Strainr Y-pattern w/air gap, w/2 40XL2 chck	4800-OSBF	\$6,426.00
2-975XL2MSFCTCU	2" 975 RP MonSwitch FCIS Ball Vlv Testcock-up NPT Y-pattern Lead Free	4800-OSBF	\$7,367.00
2-975XL2MSFCTCUAG	2" 975 RP MonSwitch FCIS Ball Vlv Testcock-up NPT Y-pattern Lead Free w/air gap	4800-OSBF	\$6,622.00
2-975XL2MSFCTCUSAGC	2" 975 RP MonSwitch FCIS Ball Vlv Testcock-up SXL Strainr w/air gap, 40XL2 check	4800-OSBF	\$6,247.00
2-975XL2MSFCTCUSAGCC	2" 975 RP MonSwitch FCIS Ball Vlv Testcock-up Strainr w/air gap, w/2 40XL2 check	4800-OSBF	\$8,465.00
2-975XL2MSS	2" 975XL2 w/ Relief Valve Monitor Switch Strainr Y-pattern Lead Free	4800-OSBF	\$6,462.00
2-975XL2MSU	2" 975XL2 w/ Relief Valve Monitor Switch Union Ball Vlv Lead Free	4800-OSBF	\$7,903.00
2-975XL2MSUS	2" 975XL2 w/ Relief Valve Mnitr Switch Union Ball Vlv Strainr Y-patrn Lead Free	4800-OSBF	\$8,630.00
2-975XL2SAG-BAA	2" 975 RP Ball Vlv NPT SXL Strainr Y-pattern Lead Free w/air gap, BAA Compliant	4800-OSBF	\$5,759.00
2-975XL2S-BAA	2" 975 RP Ball Vlv NPT SXL Strainr Y-pattern Lead Free, BAA Compliant	4800-OSBF	\$5,342.00
2-975XL2SEUTCFTS	2" 975 RP Vert St Ell Union Ball Vlv Fastest TC-up NPT SXL Strainr	4800-OSBF	\$6,307.00
2-975XL2UAG	2" 975 RP Union Ball Vlv NPT Y-pattern Lead Free w/air gap	4800-OSBF	\$5,058.00
2-975XL2UTCU	2" 975 RP Union Ball Vlv Testcock-up NPT Y-pattern Lead Free	4800-OSBF	\$4,878.00
2-975XL2UTCFT	2" 975 RP Union Ball Vlv Fast Test Cock NPT Y-pattern Lead Free	4800-OSBF	\$4,914.00
2-975XL2UTCUSAG	2" 975 RP Union Ball Vlv Testcock-up NPT SXL Strainr w/air gap	4800-OSBF	\$5,980.00
2-975XL3BFSS	2" 975XL3 DC Bfly w/Switch NPT Top Access Lead Free	4800-OSBF	\$10,473.00
2-975XL3BFSSFT	2" 975XL3 DC Bfly w/Switch NPT Top Access Fast Test Test Cocks Lead Free	4800-OSBF	\$10,473.00
2-975XL-BAA	2" 975 RP Ball Vlv NPT Y-pattern Non Potable, BAA Compliant	4800-OSBF	\$3,439.00
2-975XLDA	2" 975 RPDA OS&Y gates Gal Mtr NPT Y-pattern Non Potable	4800-OSBF	\$17,271.00
2-975XLHBMVB	2" 975 RP Hydrant Meter Gal Registr Outlit Ball Valve 2.5" Hose Female x Male	4800-OSBF	\$14,018.00
2-975XLHBMFCMBV	2" 975 RP Hydrant Meter Ft 3 Registr Outlit Ball Valve 2.5" Hose Female x Male	4800-OSBF	\$14,018.00
2-975XL-T	2" 975 RP Ball Vlv NPT Y-pattern Non Potable #2 T seat not apprvd	4800-OSBF	\$5,263.00
2-975XLTCUSAG	2" 975 RP Ball Vlv Testcock-up NPT SXL Strainr Y-pattern Non Potable w/air gap	4800-OSBF	\$4,425.00
34-975XL2-BAA	3/4" 975 RP Ball Vlv NPT Y-pattern Lead Free, BAA Compliant	4800-OSBF	\$2,212.00
34-975XL2MS	3/4" 975XL2 w/ Relief Valve Monitor Switch Lead Free	4800-OSBF	\$3,616.00
34-975XL2SAG-BAA	3/4" 975 RP Ball Vlv NPT SXL Strnr Y-patrn Lead Free w/air gap, BAA Compliant	4800-OSBF	\$2,758.00
34-975XL2S-BAA	3/4" 975 RP Ball Vlv NPT SXL Strainr Y-pattern Lead Free, BAA Compliant	4800-OSBF	\$2,451.00

34-975XL2UAG	3/4" 975 RP Union Ball Vlv NPT Y-pattern Lead Free w/ air gap	4800-OSBF	\$2,160.00
34-975XL2USAG	3/4" 975 RP Union Ball Vlv NPT SXL Strainr Y-pattern Lead Free w/air gap	4800-OSBF	\$2,690.00
34-975XL2UTCUSAG	3/4" 975 RP Union Ball Vlv Testcock-up NPT SXL Strainr w/air gap	4800-OSBF	\$2,570.00
34-975XL-BAA	3/4" 975 RP Ball Vlv NPT Y-pattern Non Potable, BAA Compliant	4800-OSBF	\$1,579.00
34-975XLFTAG	3/4" 975 RP Ball Vlv Fasttest TC NPT Y-pattern Non Potable w/air gap	4800-OSBF	\$1,714.00
34-975XLSAG-T	3/4" 975 RP Ball Vlv Strainr Y-pattern Non Potbl w/air gap #2 T seat not approv	4800-OSBF	\$2,673.00
34-975XLTUAG	3/4" 975 RP Ball Vlv Testcock-up NPT Y-pattern Non Potable w/air gap	4800-OSBF	\$1,910.00
34-975XLTUCUSAG	3/4" 975 RP Ball Vlv Testcock-up NPT SXL Strainr w/ air gap	4800-OSBF	\$2,128.00
34-975XLUSAG	3/4" 975 RP Union Ball Vlv NPT SXL Strainr Y-pattern Non Potable w/air gap	4800-OSBF	\$2,081.00
38-975XL2TCUFT	3/8" 975 RP Ball Vlv Fasttest TC-up NPT Y-pattern Lead Free	4800-OSBF	\$2,065.00
PK112-975XL3	4-Color Box, 1-1/2" 975XL3 19.1 X 11.2 X 6.8	4800-PART	\$9.00
PK114-975XL3	4-Color Box, 1-1/4" 975XL3 19.1 X 11.2 X 6.8	4800-PART	\$9.00
PK12-975XL3	4-Color Box, 1/2" 975XL3 10.8 X 7.7 X 5.5	4800-PART	\$7.00
PK1-975XL3	4-Color Box, 1" 975XL3 13 X 8.1 X 5.5	4800-PART	\$8.00
PK2-975XL3	4-Color Box, 2" 975XL3 21.5 X 13.4 X 7.3	4800-PART	\$10.00
PK34-975XL3	4-Color Box, 3/4" 975XL3 10.8 X 7.7 X 5.5	4800-PART	\$7.00
RK212-975	Repair Kit - 975 Relief Complete	4800-PART	\$223.00
RK212-975R	Repair Kit - 975 Relief Valve (rubber only)	4800-PART	\$160.00
RK212-F100-HW	Handle wheel replacement kit, 2-1/2" F100 and F105 w/ nut, washer, and clip	4800-PART	\$26.00
RK8-975	Repair Kit - 975 Relief Complete	4800-PART	\$345.00
RK8-975R	Repair Kit - 975 Relief Valve (rubber only)	4800-PART	\$187.00
SL-112-2-L-2T	112"-2" LEVER HNDL LBRACKET	4800-OMWS	\$552.00
SL-114-L-2T	114" LEVER HNDL L BRACKET	4800-OMWS	\$389.00
12-195XL	1/2" 195XL HOSE BIBB LEAD FREE	4800-OHYD	\$153.00
12-195XL-VB	1/2" HOSE BIBB W/ HOSE CONNECTION VACUUM BRKR LEAD FREE	4800-OHYD	\$238.00
34-195XL	3/4" 195XL HOSE BIBB LEAD FREE	4800-OHYD	\$162.00
34-195XL-VB	3/4" HOSE BIBB W/ HOSE CONNECTION VACUUM BRKR LEAD FREE	4800-OHYD	\$227.00
1-20XL	1" 20XL PRV 25-75 PSI Single Union FNPT x FNPT Lead Free	4800-OPRV	\$548.00
1-20XLC	1" 20XL PRV 25-75 PSI Single Union Copper Sweat x FNPT Lead Free	4800-OPRV	\$546.00
1-20XLDU	1" 20XL PRV 25-75 PSI Double Union FNPT x FNPT Lead Free	4800-OPRV	\$587.00
1-20XLDUC	1" 20XL PRV 25-75 PSI Double Union Copper Sweat x Copper Sweat Lead Free	4800-OPRV	\$585.00
1-20XLDULU	1" 20XL PRV 25-75 PSI Double Union Less Union FNPT x FNPT Lead Free	4800-OPRV	\$509.00
1-20XLDUPEX	1" 20 PRV 25-75 PSI Dbl Union Pex Crimp Lead Free	4800-OPRV	\$636.00
1-20XLDUPEX-65P	1" 20 PRV 25-75 PSI Dbl Union Pex Crimp Lead Free 65PSI OUT	4800-OPRV	\$655.00
1-20XLDUPR	1" 20 PRV 25-75 PSI Dbl Union PressFit x PressFit Lead Free	4800-OPRV	\$624.00
1-20XLEPEX	1" 20XL PRV 25-75 PSI Integral F1960 Expansion PEX x Expansion PEX Lead Free	4800-OPRV	\$598.00
1-20XLEPEX	1" 20XL PRV 25-75 PSI Integral Crimp PEX x Crimp PEX Lead Free	4800-OPRV	\$598.00
34-20XL	3/4" 20XL PRV 25-75 PSI Single Union FNPT x FNPT Lead Free	4800-OPRV	\$424.00
34-20XLC	3/4" 20XL PRV 25-75 PSI Single Union Copper Sweat x FNPT Lead Free	4800-OPRV	\$427.00
34-20XLDU	3/4" 20XL PRV 25-75 PSI Double Union FNPT x FNPT Lead Free	4800-OPRV	\$458.00
34-20XLDUC	3/4" 20XL PRV 25-75 PSI Double Union Copper Sweat x Copper Sweat Lead Free	4800-OPRV	\$458.00
34-20XLDULU	3/4" 20XL PRV 25-75 PSI Double Union Less Union FNPT x FNPT Lead Free	4800-OPRV	\$392.00
34-20XLDUPEX	3/4" 20 PRV 25-75 PSI Dbl Union Pex Crimp Lead Free	4800-OPRV	\$445.00
34-20XLDUPEX-65P	3/4" 20 PRV 25-75 PSI Dbl Union Pex Crimp Lead Free 65PSI OUT	4800-OPRV	\$474.00
34-20XLDUPR	3/4" 20 PRV 25-75 PSI Dbl Union PressFit x PressFit Lead Free	4800-OPRV	\$466.00
34-20XLEPEX	3/4" 20XL PRV 25-75 PSI Integral F1960 Expansion PEX x Expansion PEX Lead Free	4800-OPRV	\$427.00
34-20XLEPEX	3/4" 20XL PRV 25-75 PSI Integral Crimp PEX x Crimp PEX Lead Free	4800-OPRV	\$427.00
34-20XLEPEX-65P	3/4" 20 PRV 25-75 PSI Integral F1807 Crimp PEX x Crimp PEX Lead Free 65PSI OUT	4800-OPRV	\$437.00
RFK1-70-20XL	1" 20XLDULU Retrofit kit to replace 70XL 70XLDU 70 70DU, Lead Free	4800-PART	\$34.00
RFK1-NR3-20XL	1" 20XLDULU Retrofit kit to replace NR3XL NR3XLDU NR3 NR3DU BR4, Lead Free	4800-PART	\$33.00
RFK34-70-20XL	3/4" 20XLDULU Retrofit kit to replace 70XL 70, Lead Free	4800-PART	\$25.00
RFK34-70DU-20XL	3/4" 20XLDULU Retrofit kit to replace 70XLDU 70DU, Lead Free	4800-PART	\$28.00
RFK34-NR3-20XL	3/4" 20XLDULU Retrofit kit to replace NR3XL NR3XLDU NR3 NR3DU BR4, Lead Free	4800-PART	\$24.00
RK34-1-20XL	REPAIR KIT 20XL 3/4" - 1" ALL END CONNECTION TYPES	4800-PART	\$131.00
RK212-LBF-VLV-COVER	REPAIR KIT, MAIN VALVE COVER COATED, 2-1/2" - 3" 300/400	4800-PART	\$683.00
RK4-LBF-VALVE-COVER	REPAIR KIT, MAIN VALVE COVER COATED, 4" 300/400	4800-PART	\$524.00
RK4-RPDA	REP KIT, 4" RPDA CHK ONLY	4800-PART	\$550.00
RK4-RV475-HOSE	REPAIR KIT, RELIEF VALVE HOSE, 4" - 6" 475(DA)	4800-PART	\$238.00
RK6-LBF-VALVE-COVER	REPAIR KIT, MAIN VALVE COVER COATED, 6" 300/400	4800-PART	\$598.00
RK6-RPDA	REP KIT, 6" RPDA CHK ONLY	4800-PART	\$712.00
RK8-LBF-VALVE-COVER	REPAIR KIT, MAIN VALVE COVER COATED, 8" 300/400	4800-PART	\$598.00
BRK6-SSLBF-SEAT1RTRNR	BULK REPAIR KIT (6 PCS), SEAT RETAINER #1 6" 300AST/400ST	4800-PART	\$719.00
4-310DA	Single Check Valve Detector Assy, Flanged x Flanged	4800-OLBF	\$6,522.00
4-310DACFM	Single Check Valve Detector Assy, Flanged x Flanged, CFM Meter	4800-OLBF	\$6,522.00

4-310DACFMOSY	4" 310 W/BY PASS W/OSY W/CFM MTR#310WBYPASSWOSYWCFM	4800-OLBF	\$12,061.00
4-310DALM	Single Check Valve Detector Assy, Flanged x Flanged, Less Meter	4800-OLBF	\$5,731.00
4-310DALMNYC	4" 310 Sngl Chk DA DI Body Less Mtr NYC Less Shutoff FLG X FLG	4800-OLBF	\$5,731.00
4-310DALMOSY	Single Check Valve Detector Assy, Flanged x Flanged, OS&Y Gate Valves, Less Meter	4800-OLBF	\$11,267.00
4-310DAOSY	Single Check Valve Detector Assy, Flanged x Flanged, OS&Y Gate Valves	4800-OLBF	\$12,061.00
6-310DA	Single Check Valve Detector Assy, Flanged x Flanged	4800-OLBF	\$8,379.00
6-310DACFM	6" 310DA L/GATES W/CFM METER	4800-OLBF	\$8,379.00
6-310DALM	Single Check Valve Detector Assy, Flanged x Flanged, Less Meter	4800-OLBF	\$7,592.00
6-310DALMNYC	Single Check Valve Detector Assy, Flanged x Flanged, Less Meter, NYC Option	4800-OLBF	\$7,592.00
6-310DALMOSY	Single Check Valve Detector Assy, Flanged x Flanged, OS&Y Gate Valves, Less Meter	4800-OLBF	\$16,619.00
6-310DAOSY	Single Check Valve Detector Assy, Flanged x Flanged, OS&Y Gate Valves	4800-OLBF	\$17,408.00
8-310DA	Single Check Valve Detector Assy, Flanged x Flanged	4800-OLBF	\$14,164.00
8-310DALM	Single Check Valve Detector Assy, Flanged x Flanged, Less Meter	4800-OLBF	\$13,373.00
8-310DAOSY	Single Check Valve Detector Assy, Flanged x Flanged, OS&Y Gate Valves	4800-OLBF	\$21,786.00
10-350	Double Check Valve, Lead-Free, Flanged Body, Flanged NRS x Flanged NRS	4800-OLBF	\$50,961.00
10-350BSE	Double Check Valve, Lead-Free, Flanged Body, British BS10 Flanged x Flanged	4800-OLBF	\$44,965.00
10-350G	Double Check Valve, Lead-Free, Flanged Body, Grooved NRS x Grooved NRS	4800-OLBF	\$50,961.00
10-350L	Double Check Valve, Lead-Free, Flanged Body, Flanged x Flanged, Less Gate Valves	4800-OLBF	\$35,234.00
10-350LBSE	Double Check Valve, Lead-Free, Flanged Body, British BS10 Flanged x Flanged, Less Gate Valves, With RP #1 Check	4800-OLBF	\$20,851.00
10-350OSY	Double Check Valve, Lead-Free, Flanged Body, Flanged OSY x Flanged OSY	4800-OLBF	\$51,634.00
10-350OSYFG	Double Check Valve, Lead-Free, Flanged Body, Flanged OSY x Grooved OSY	4800-OLBF	\$51,634.00
10-350OSYFG	Double Check Valve, Lead-Free, Flanged Body, Grooved OSY x Grooved OSY	4800-OLBF	\$51,634.00
10-350PIOSY	Double Check Valve, Lead-Free, Flanged Body, Flanged PI x Flanged OSY	4800-OLBF	\$51,634.00
12IN-350	Double Check Valve, Lead-Free, Flanged Body, Flanged NRS x Flanged NRS	4800-OLBF	\$84,028.00
12IN-350L	Double Check Valve, Lead-Free, Flanged Body, Flanged x Flanged, Less Gate Valves	4800-OLBF	\$51,079.00
12IN-350LBSE	Double Check Valve, 12" 350L W/BS10 E FLG ENDS	4800-OLBF	\$56,245.00
12IN-350NRSPI	112" 350 W/NRS/PI FFG LF	4800-OLBF	\$86,217.00
12IN-350OSY	Double Check Valve, Lead-Free, Flanged Body, Flanged OSY x Flanged OSY	4800-OLBF	\$85,483.00
12IN-350PI	Flanged PI x Flanged PI	4800-OLBF	\$85,483.00
212-350	Double Check Valve, Lead-Free, Flanged Body, Flanged NRS x Flanged NRS	4800-OLBF	\$8,867.00
212-350BSE	Double Check Valve, Lead-Free, Flanged Body, British BS10 Flanged x Flanged	4800-OLBF	\$9,725.00
212-350FG	Double Check Valve, Lead-Free, Flanged Body, Flanged NRS x Grooved NRS	4800-OLBF	\$8,867.00
212-350FSC	Double Check Valve, Lead-Free, Flanged Body, Flanged NRS x Flanged NRS, FSC Strainer	4800-OLBF	\$10,213.00
212-350G	Double Check Valve, Lead-Free, Flanged Body, Grooved NRS x Grooved NRS	4800-OLBF	\$8,867.00
212-350L	Double Check Valve, Lead-Free, Flanged Body, Flanged x Flanged, Less Gate Valves	4800-OLBF	\$5,525.00
212-350LBSE	Double Check Valve, Lead-Free, Flanged Body, British BS10 Flanged x Flanged, Less Gate Valves	4800-OLBF	\$4,346.00
212-350OSY	Double Check Valve, Lead-Free, Flanged Body, Flanged OSY x Flanged OSY	4800-OLBF	\$9,898.00
212-350OSYFG	Double Check Valve, Lead-Free, Flanged Body, Flanged OSY x Grooved OSY	4800-OLBF	\$9,898.00
212-350OSYFSC	Double Check Valve, Lead-Free, Flanged Body, Flanged OSY x Flanged OSY, FSC Strainer	4800-OLBF	\$11,242.00
212-350OSYFG	Double Check Valve, Lead-Free, Flanged Body, Grooved OSY x Grooved OSY	4800-OLBF	\$9,898.00
212-350OSYNRS	Double Check Valve, 2-1/2" 350 OSY / NRS L.F.	4800-OLBF	\$11,889.00
212-350OSYPI	Double Check Valve, 2-1/2" 350 W/OSY & PI GV LEAD FREE	4800-OLBF	\$9,898.00
3-350	Double Check Valve, Lead-Free, Flanged Body, Flanged NRS x Flanged NRS	4800-OLBF	\$9,186.00
3-350BSE	Double Check Valve, Lead-Free, Flanged Body, British BS10 Flanged x Flanged	4800-OLBF	\$10,179.00
3-350FG	Double Check Valve, Lead-Free, Flanged Body, Flanged NRS x Grooved NRS	4800-OLBF	\$9,186.00
3-350FSC	Double Check Valve, Lead-Free, Flanged Body, Flanged NRS x Flanged NRS, FSC Strainer	4800-OLBF	\$10,822.00
3-350G	Double Check Valve, Lead-Free, Flanged Body, Grooved NRS x Grooved NRS	4800-OLBF	\$9,186.00
3-350L	Double Check Valve, Lead-Free, Flanged Body, Flanged x Flanged, Less Gate Valves	4800-OLBF	\$5,560.00
3-350LBSE	Double Check Valve, Lead-Free, Flanged Body, British BS10 Flanged x Flanged, Less Gate Valves	4800-OLBF	\$4,120.00
3-350LBSE-L#1CK	Double Check Valve, 3" 350L W/BS10 E L/#1 CHECK	4800-OLBF	\$3,263.00
3-350LBSE-LCK	Double Check Valve, 3" 350L W/BS10 E L/CHECKS	4800-OLBF	\$3,660.00
3-350OSY	Double Check Valve, Lead-Free, Flanged Body, Flanged OSY x Flanged OSY	4800-OLBF	\$10,052.00
3-350OSYFG	Double Check Valve, Lead-Free, Flanged Body, Flanged OSY x Grooved OSY	4800-OLBF	\$10,052.00
3-350OSYFSC	Double Check Valve, Lead-Free, Flanged Body, Flanged OSY x Flanged OSY, FSC Strainer	4800-OLBF	\$11,691.00
3-350OSYFG	Double Check Valve, Lead-Free, Flanged Body, Grooved OSY x Grooved OSY	4800-OLBF	\$10,052.00

3-3500SYGF	Double Check Valve, Lead-Free, Flanged Body, Grooved OSY x Flanged OSY	4800-OLBF	\$10,052.00
3-3500SYPIFG	Double Check Valve, 3" 350 W/FX OSY FXG PI GV LEAD FREE Flanged PI x Flanged PI	4800-OLBF	\$10,052.00
3-350PI	Double Check Valve, Lead-Free, Flanged Body, Flanged NRS x Flanged NRS	4800-OLBF	\$11,987.00
4-350	Double Check Valve, Lead-Free, Flanged Body, British BS10 Flanged x Flanged	4800-OLBF	\$14,147.00
4-350BSE	Double Check Valve, Lead-Free, Flanged Body, Flanged NRS x Grooved NRS	4800-OLBF	\$11,987.00
4-350FG	Double Check Valve, Lead-Free, Flanged Body, Flanged NRS x Grooved NRS	4800-OLBF	\$14,650.00
4-350FSC	Double Check Valve, Lead-Free, Flanged Body, Grooved NRS x Grooved NRS	4800-OLBF	\$11,987.00
4-350GF	Double Check Valve, Lead-Free, Flanged Body, Grooved NRS x Flanged NRS	4800-OLBF	\$11,987.00
4-350L	Double Check Valve, Lead-Free, Flanged Body, Flanged x Flanged, Less Gate Valves	4800-OLBF	\$8,073.00
4-350LBSD	Double Check Valve, Lead-Free, Flanged Body, British BS10 D Flanged x Flanged	4800-OLBF	\$6,036.00
4-350LBSE	Double Check Valve, Lead-Free, Flanged Body, British BS10 Flanged x Flanged, Less Gate Valves	4800-OLBF	\$6,746.00
4-350LFSC	Double Check Valve, Lead-Free, Flanged Body, Flanged x Flanged, FSC Strainer, Less Gate Valves	4800-OLBF	\$10,737.00
4-350NRSOSY	Double Check Valve, 4" 350 W/NRSxOSY GV LEAD FREE	4800-OLBF	\$15,539.00
4-350OSY	Double Check Valve, Lead-Free, Flanged Body, Flanged OSY x Flanged OSY	4800-OLBF	\$11,829.00
4-3500SYFG	Double Check Valve, Lead-Free, Flanged Body, Flanged OSY x Grooved OSY	4800-OLBF	\$11,829.00
4-3500SYFSC	Double Check Valve, Lead-Free, Flanged Body, Flanged OSY x Flanged OSY, Epoxy Coated Strainer	4800-OLBF	\$14,493.00
4-3500SYFSCFG	Double Check Valve, 4" 350 W/OSY W/FSC FXG	4800-OLBF	\$14,493.00
4-3500SYG	Double Check Valve, Lead-Free, Flanged Body, Grooved OSY x Grooved OSY	4800-OLBF	\$11,829.00
4-3500SYGF	Double Check Valve, Lead-Free, Flanged Body, Grooved OSY x Flanged OSY	4800-OLBF	\$11,829.00
4-3500SYPI	Double Check Valve, Lead-Free, Flanged Body, Flanged OSY x Flanged PI	4800-OLBF	\$11,829.00
4-3500SYPIFG	Double Check Valve, Lead-Free, Flanged Body, Flanged OSY x Grooved PI	4800-OLBF	\$11,829.00
4-3500SYPIG	Double Check Valve, Lead-Free, Flanged Body, Grooved OSY x Grooved PI	4800-OLBF	\$11,829.00
4-3500SYPIGF	Double Check Valve, Lead-Free, Flanged Body, Grooved OSY x Flanged PI	4800-OLBF	\$11,829.00
4-3500SYSB	Double Check Valve, Lead-Free, Flanged Body, Flanged OSY x Flanged OSY, SS Bolts	4800-OLBF	\$17,924.00
4-350PI	Flanged PI x Flanged PI	4800-OLBF	\$11,829.00
4-350PIOSY	Double Check Valve, Lead-Free, Flanged Body, Flanged PI x Flanged OSY	4800-OLBF	\$11,829.00
4-350PIOSYFG	Double Check Valve, Lead-Free, Flanged Body, Flanged PI x Grooved OSY	4800-OLBF	\$11,829.00
4-350PIOSYG	Double Check Valve, Lead-Free, Flanged Body, Grooved PI x Grooved OSY	4800-OLBF	\$11,829.00
4-350PIOSYGF	Double Check Valve, Lead-Free, Flanged Body, Grooved PI x Flanged OSY	4800-OLBF	\$11,829.00
6-350	Double Check Valve, Lead-Free, Flanged Body, Flanged NRS x Flanged NRS	4800-OLBF	\$17,288.00
6-350BPIG	6" 350 DC BFLY X POST IND GRV X GRV	4800-OLBF	\$25,623.00
6-350BSE	Double Check Valve, Lead-Free, Flanged Body, British BS10 Flanged x Flanged	4800-OLBF	\$19,275.00
6-350FG	Double Check Valve, Lead-Free, Flanged Body, Flanged NRS x Grooved NRS	4800-OLBF	\$17,288.00
6-350FSC	Double Check Valve, Lead-Free, Flanged Body, Flanged NRS x Flanged NRS, FSC Strainer	4800-OLBF	\$21,570.00
6-350G	Double Check Valve, Lead-Free, Flanged Body, Grooved NRS x Grooved NRS	4800-OLBF	\$17,288.00
6-350GF	Double Check Valve, Lead-Free, Flanged Body, Grooved NRS x Flanged NRS	4800-OLBF	\$17,288.00
6-350L	Double Check Valve, Lead-Free, Flanged Body, Flanged x Flanged, Less Gate Valves	4800-OLBF	\$12,445.00
6-350LBSE	Double Check Valve, Lead-Free, Flanged Body, British BS10 Flanged x Flanged, Less Gate Valves	4800-OLBF	\$9,459.00
6-350LBSE-LH1CK	Double Check Valve, 6" 350L WBS10 E L/#1 CHECK	4800-OLBF	\$9,461.00
6-350LFSC	Double Check Valve, Lead-Free, Flanged Body, Flanged x Flanged, FSC Strainer, Less Gate Valves	4800-OLBF	\$16,725.00
6-350NRSOSY	Flanged NRS x Flanged OSY	4800-OLBF	\$22,140.00
6-350OP	6" 350 DC DI Body NRS Gates w/ Post Indicator Nut FLG X FLG	4800-OLBF	\$22,652.00
6-350OSY	Double Check Valve, Lead-Free, Flanged Body, Flanged OSY x Flanged OSY	4800-OLBF	\$17,951.00
6-3500SYFG	Double Check Valve, Lead-Free, Flanged Body, Flanged OSY x Grooved OSY	4800-OLBF	\$17,951.00
6-3500SYFSC	Double Check Valve, Lead-Free, Flanged Body, Flanged OSY x Flanged OSY, Epoxy Coated Strainer	4800-OLBF	\$22,232.00
6-3500SYG	Double Check Valve, Lead-Free, Flanged Body, Grooved OSY x Grooved OSY	4800-OLBF	\$17,951.00
6-3500SYGF	Double Check Valve, Lead-Free, Flanged Body, Grooved OSY x Flanged OSY	4800-OLBF	\$17,951.00
6-3500SYNRS	6" 350 DC DI Body OSY X NRS FLG X FLG	4800-OLBF	\$22,140.00
6-3500SYPI	Double Check Valve, Lead-Free, Flanged Body, Flanged OSY x Flanged PI	4800-OLBF	\$17,951.00
6-3500SYPIFG	Double Check Valve, Lead-Free, Flanged Body, Flanged OSY x Grooved PI	4800-OLBF	\$17,951.00
6-3500SYPIG	Double Check Valve, Lead-Free, Flanged Body, Grooved OSY x Grooved PI	4800-OLBF	\$17,951.00
6-350PIG	6" 350 DC POST IND X POST IND GRV X GRV	4800-OLBF	\$17,951.00
6-350PIOSY	Double Check Valve, Lead-Free, Flanged Body, Flanged PI x Flanged OSY	4800-OLBF	\$17,951.00
6-350PIOSYG	Double Check Valve, Lead-Free, Flanged Body, Grooved PI x Grooved OSY	4800-OLBF	\$17,951.00

8-350	Double Check Valve, Lead-Free, Flanged Body, Flanged NRS x Flanged NRS	4800-OLBF	\$33,922.00
8-350BSE	Double Check Valve, Lead-Free, Flanged Body, British BS10 Flanged x Flanged	4800-OLBF	\$35,569.00
8-350FG	Double Check Valve, Lead-Free, Flanged Body, Flanged NRS x Grooved NRS	4800-OLBF	\$33,922.00
8-350FSC	Double Check Valve, Lead-Free, Flanged Body, Flanged NRS x Flanged NRS, Epoxy Coated Strainer	4800-OLBF	\$42,423.00
8-350G	Double Check Valve, Lead-Free, Flanged Body, Grooved NRS x Grooved NRS	4800-OLBF	\$33,922.00
8-350L	Double Check Valve, Lead-Free, Flanged Body, Flanged x Flanged, Less Gate Valves	4800-OLBF	\$25,392.00
8-350LBSE	Double Check Valve, Lead-Free, Flanged Body, British BS10 Flanged x Flanged, Less Gate Valves	4800-OLBF	\$19,629.00
8-350LBSE-DACHK	Double Check Valve, 8" 350L W/BS10 E W/DAH2CK	4800-OLBF	\$23,704.00
8-3500SY	Double Check Valve, Lead-Free, Flanged Body, Flanged OSY x Flanged OSY	4800-OLBF	\$34,598.00
8-3500SYFG	Double Check Valve, Lead-Free, Flanged Body, Flanged OSY x Grooved OSY	4800-OLBF	\$34,598.00
8-3500SYFSC	Double Check Valve, Lead-Free, Flanged Body, Flanged OSY x Flanged OSY, Epoxy Coated Strainer	4800-OLBF	\$43,100.00
8-3500SYG	Double Check Valve, Lead-Free, Flanged Body, Grooved OSY x Grooved OSY	4800-OLBF	\$34,598.00
8-3500SYPI	Double Check Valve, Lead-Free, Flanged Body, Flanged OSY x Flanged PI	4800-OLBF	\$34,598.00
8-3500SYPIFG	Double Check Valve, Lead-Free, Flanged Body, Flanged OSY x Grooved PI	4800-OLBF	\$34,598.00
8-3500SYPIG	Double Check Valve, Lead-Free, Flanged Body, Grooved OSY x Grooved PI	4800-OLBF	\$34,598.00
8-3500SYRH	Double Check Valve, 8" 350 W/RT HND GATE VLV	4800-OLBF	\$46,168.00
8-350PIOSY	Double Check Valve, Lead-Free, Flanged Body, Flanged PI x Flanged OSY	4800-OLBF	\$34,598.00
8-350PIOSYFG	Double Check Valve, Lead-Free, Flanged Body, Flanged PI x Grooved OSY	4800-OLBF	\$34,598.00
RK212-350PK	REP KIT, 2-1/2" 35-375 PRO-KITREPKIT212"35375PROKI	4800-PART	\$72.00
RK212-350RPK	REP KIT, 2-1/2" 350 RUBBER PRO-KIT	4800-PART	\$144.00
RR4-350PK	REP KIT, 4" 350/375 PRO-KITREPKIT4"350375PROKIT	4800-PART	\$244.00
RR4-350RPK	REP KIT, 4" 350 RUBBER PRO-KIT	4800-PART	\$244.00
RK8-350DACK2	REPAIR KIT, CHECK ASSY, 8"-10" 350DA/(8" 350ADA) #2	4800-PART	\$2,476.00
112-350	Double Check Valve Assy, Composite Vessel, FNPT x FNPT	4800-OSBF	\$1,784.00
112-350FT	Double Check Valve Assy, Composite Vessel, FNPT x FNPT, Fast Test Cocks	4800-OSBF	\$1,784.00
112-350FTS	Double Check Valve Assy, Composite Vessel, FNPT x FNPT, Fast Test Cocks, Strainer	4800-OSBF	\$2,271.00
112-350LFTBT	Double Check Valve Assy, Composite Vessel, MBT THD x MBT THD, Fast Test Cocks, Less Ball Valves	4800-OSBF	\$1,697.00
112-350S	Double Check Valve Assy, Composite Vessel, FNPT x FNPT, Strainer	4800-OSBF	\$2,271.00
114-350	Double Check Valve Assy, Composite Vessel, FNPT x FNPT	4800-OSBF	\$1,666.00
114-350FT	Double Check Valve Assy, Composite Vessel, FNPT x FNPT, Fast Test Cocks	4800-OSBF	\$1,666.00
114-350FTS	Double Check Valve Assy, Composite Vessel, FNPT x FNPT, Fast Test Cocks, Strainer	4800-OSBF	\$2,021.00
114-350LFTBT	Double Check Valve Assy, Composite Vessel, MBT THD x MBT THD, Fast Test Cocks, Less Ball Valves	4800-OSBF	\$1,672.00
114-350S	Double Check Valve Assy, Composite Vessel, FNPT x FNPT, Strainer	4800-OSBF	\$2,021.00
1-350	Double Check Valve Assy, Composite Vessel, FNPT x FNPT	4800-OSBF	\$653.00
1-350FT	Double Check Valve Assy, Composite Vessel, FNPT x FNPT, Fast Test Cocks	4800-OSBF	\$653.00
1-350FTS	Double Check Valve Assy, Composite Vessel, FNPT x FNPT, Fast Test Cocks, Strainer	4800-OSBF	\$897.00
1-350L	Double Check Valve Assy, Composite Vessel, MNPT x MNPT, Less Ball Valves	4800-OSBF	\$482.00
1-350LBS	Double Check Valve Assy, Composite Vessel, MBS THD x MBS THD, Less Ball Valves	4800-OSBF	\$939.00
1-350LBT	Double Check Valve Assy, Composite Vessel, MBT THD x MBT THD, Less Ball Valves	4800-OSBF	\$939.00
1-350LFTBS	Double Check Valve Assy, Composite Vessel, MBS THD x MBS THD, Fast Test Cocks, Less Ball Valves	4800-OSBF	\$963.00
1-350LFTBT	Double Check Valve Assy, Composite Vessel, MBT THD x MBT THD, Fast Test Cocks, Less Ball Valves	4800-OSBF	\$963.00
1-350S	Double Check Valve Assy, Composite Vessel, FNPT x FNPT, Strainer	4800-OSBF	\$897.00
1-350S-ASSY	Double Check Valve Assy, Composite Vessel, FNPT x FNPT, Strainer, Assembled	4800-OSBF	\$1,629.00
1-350SE	Double Check Valve Assy, Composite Vessel, FNPT x FNPT, Street Elbows	4800-OSBF	\$948.00
1-350SHFTS-ASSY	Double Check Valve Assy, Composite Vessel, FNPT x FNPT, Fast Test Cocks, SS Handles, Strainer, Assembled	4800-OSBF	\$1,572.00
2-350	Double Check Valve Assy, Composite Vessel, FNPT x FNPT	4800-OSBF	\$2,011.00
2-350FT	Double Check Valve Assy, Composite Vessel, FNPT x FNPT, Fast Test Cocks	4800-OSBF	\$2,011.00
2-350FTS	Double Check Valve Assy, Composite Vessel, FNPT x FNPT, Fast Test Cocks, Strainer	4800-OSBF	\$2,716.00
2-350LFTBT	Double Check Valve Assy, Composite Vessel, MBT THD x MBT THD, Fast Test Cocks, Less Ball Valves	4800-OSBF	\$1,700.00
2-3500SY	Double Check Valve Assy, Composite Vessel, FNPT x FNPT, OS & Y Gate Valves	4800-OSBF	\$10,061.00
2-350S	Double Check Valve Assy, Composite Vessel, FNPT x FNPT, Strainer	4800-OSBF	\$2,716.00
34-350	Double Check Valve Assy, Composite Vessel, FNPT x FNPT	4800-OSBF	\$592.00
34-350D	Double Check Valve Assy, Composite Vessel, FNPT x FNPT, Detector Assy Springs	4800-OSBF	\$705.00
34-350FT	Double Check Valve Assy, Composite Vessel, FNPT x FNPT, Fast Test Cocks	4800-OSBF	\$592.00
34-350FTS	Double Check Valve Assy, Composite Vessel, FNPT x FNPT, Fast Test Cocks, Strainer	4800-OSBF	\$801.00
34-350L	Double Check Valve Assy, Composite Vessel, MNPT x MNPT, Less Ball Valves	4800-OSBF	\$482.00

34-350LBS	Double Check Valve Assy, Composite Vessel, MBS THD x MBS THD, Less Ball Valves	4800-OSBF	\$529.00
34-350LBT	Double Check Valve Assy, Composite Vessel, MBT THD x MBT THD, Less Ball Valves	4800-OSBF	\$867.00
34-350LFTBS	Double Check Valve Assy, Composite Vessel, MBS THD x MBS THD, Fast Test Cocks, Less Ball Valves	4800-OSBF	\$554.00
34-350LFTBT	Double Check Valve Assy, Composite Vessel, MBT THD x MBT THD, Fast Test Cocks, Less Ball Valves	4800-OSBF	\$885.00
34-350S	Double Check Valve Assy, Composite Vessel, FNPT x FNPT, Strainer	4800-OSBF	\$801.00
34-350SE	Double Check Valve Assy, Composite Vessel, FNPT x FNPT, Street Elbows	4800-OSBF	\$866.00
RK114-350	Repair Kit - 350 Complete (checks only)	4800-PART	\$173.00
RK114-350-375B0F	Repair Kit - Blow-Out/Flush Fitting, O-rings, 1-1/4", 1-1/2" & 2"	4800-PART	\$81.00
RK114-350R	Repair Kit - 350 Rubber only	4800-PART	\$69.00
RK114-350V	Repair Kit - 350 Vessel complete	4800-PART	\$716.00
RK1-350	Repair Kit - 350 Complete (checks only)	4800-PART	\$88.00
RK1-350B0F	Repair Kit - Blow-Out/Flush Fitting, O-rings	4800-PART	\$53.00
RK1-350R	Repair Kit - 350 Rubber only	4800-PART	\$49.00
RK1-350V	Repair Kit - 350 Vessel complete	4800-PART	\$244.00
RK2-350STRUT	REP KIT, 2" 350 STRUT	4800-PART	\$273.00
RK2-350XLSTRUT	REP KIT, 2" 350XL STRUT	4800-PART	\$273.00
RK34-350	Repair Kit - 350 Complete (checks only)	4800-PART	\$84.00
RK34-350B0F	Repair Kit - Blow-Out/Flush Fitting, O-rings	4800-PART	\$44.00
RK34-350R	Repair Kit - 350 Rubber only	4800-PART	\$48.00
RK34-350V	Repair Kit - 350 Vessel complete	4800-PART	\$210.00
RK34-350VFT	Repair Kit - 350 Vessel complete, Fast-Test Cocks	4800-PART	\$210.00
RK212-350-COVERPLATE	REPAIR KIT, RV PORT COVER PLATE, 2-1/2" - 6" 350/350A/350ADA/350DA	4800-PART	\$135.00
RK4-350AST-CVRPLATE	REPAIR KIT, RV PORT COVER PLATE, 2-1/2" - 6" 350/350A/350ADA/350DA	4800-PART	\$101.00
RK8-350-COVERPLATE	REPAIR KIT, RV PORT COVER PLATE, 8" - 12" 350/350A/350ADA/350DA	4800-PART	\$167.00
RK114-350RPK	REP KIT, 1-1/4" - 2" 350 RUBBER PRO-KITREPKIT114"2"350RUBBER	4800-PART	\$69.00
RK1-350PK	REP KIT, 1" 350 PRO-KITREPKIT1"350PROKIT	4800-PART	\$88.00
RK1-350RPK	REP KIT, 1" 350 RUBBER PRO-KITREPKIT1"350RUBBERPRO	4800-PART	\$49.00
RK1-350VFT	REPKIT,1"350V W/FT TCREPKIT,1"350VW/FTTC	4800-PART	\$272.00
RK34-350D	REPAIR KIT, 3/4" 350DREPAIRKIT34"350D	4800-PART	\$56.00
RK34-350DV	REPAIR KIT, 3/4" 350D VESSELREPAIRKIT34"350DVESSEL	4800-PART	\$174.00
RK34-350PK	REP KIT, 3/4" 350 PRO-KITREPKIT34"350PROKIT	4800-PART	\$84.00
RK34-350RPK	REP KIT, 3/4" 350 RUBBER PRO-KITREPKIT34"350RUBBERPRO	4800-PART	\$48.00
RK114-350-375FLUSH	1 1/4" - 2" 300 Series Flush Kit with Hose & Adapter	4800-PART	\$112.00
RK1-350FLUSH	1" 350 Flush Kit with Hose	4800-PART	\$86.00
RK1-375FLUSH	1" 375 Flush Kit with Hose & Adapter	4800-PART	\$82.00
RK34-350FLUSH	3/4" 350 Flush Kit with Hose & Adapter	4800-PART	\$78.00
RK34-375FLUSH	3/4" 375 Flush Kit with Hose & Adapter	4800-PART	\$74.00
BRK12-SEATTOOL	BULK REPAIR KIT (6PCS), 1/2" SEAT REMOVAL TOOL	4800-PART	\$122.00
BRK212-300-SEAT1-RTN	BULK REPAIR KIT (6 PCS), SEAT RETAINER #2 - 2-1/2" - 3" 350/375/450/475	4800-PART	\$186.00
BRK212-300-SEAT2-RTN	BULK REPAIR KIT (6 PCS), SEAT RETAINER #2 - 2-1/2" - 3" 350/375/450/475	4800-PART	\$261.00
BRK2-850U-GASKET	BULK REPAIR KIT (6PCS), 2" 850U UNION GASKET	4800-PART	\$67.00
BRK4-LBF-SEAT1RTNR	BULK REPAIR KIT (6 PCS), SEAT RETAINER #1 - 4" 350/375/450/475	4800-PART	\$540.00
BRK4-LBF-SEAT2RTNR	BULK REPAIR KIT (12 PCS), SEAT RETAINER #2 - 4" 350/375/450/475	4800-PART	\$1,478.00
BRK4-SSLBF-SEAT1RTNR	BULK REPAIR KIT (6 PCS), SEAT RETAINER #1 - 2-1/2" - 4" 350AST/400ST	4800-PART	\$540.00
BRK4-SSLBF-SEAT2RTNR	BULK REPAIR KIT (12 PCS), SEAT RETAINER #2 - 2-1/2" - 4" 350AST/375AST	4800-PART	\$1,478.00
BRK6-LBF-SEAT1RTNR	BULK REPAIR KIT (6 PCS), SEAT RETAINER #1 6" 350/375/450/475	4800-PART	\$719.00
BRK6-LBF-SEAT2RTNR	BULK REPAIR KIT (12 PCS), SEAT RETAINER #2 6" 350/375/450/475	4800-PART	\$1,436.00
RK114-350VFT	REP KIT, 1-1/4" - 2" 350 VESSEL W/FT TC	4800-PART	\$716.00
RK212-350	Repair Kit - 375/475 Checks Only	4800-PART	\$72.00
RK212-350CK1	REPAIR KIT, CHECK ASSY, 2-1/2" - 3" 350(DA)/450(DA) #1	4800-PART	\$310.00
RK212-350CK2	REPAIR KIT, CHECK ASSY, 2-1/2" - 3" 375/475 -OR- 350/450 #2	4800-PART	\$310.00
RK4-350	Repair Kit - 350/450 Rubber Only	4800-PART	\$244.00
RK4-350ADA	REPAIR KIT, 2-1/2" - 4" 350ADA/350ASTDA	4800-PART	\$356.00
RK4-350ASTCK1	REPAIR KIT, CHECK ASSY, 2-1/2" - 4" 350AST(DA) #1	4800-PART	\$787.00
RK4-350ASTCK2	REPAIR KIT, CHECK ASSY, 3" - 4" 375AST -OR- 350AST #2	4800-PART	\$737.00
RK4-350ASTDACK2	REPAIR KIT, CHECK ASSY, 3" - 4" 375ASTDA -OR- 350ASTDA #2	4800-PART	\$737.00
RK4-350CK1	REPAIR KIT, CHECK ASSY, 4" 350(A)(DA)/450(DA)/(2-1/2" - 3" 350(A)(DA)) #1	4800-PART	\$787.00
RK4-350CK2	REPAIR KIT, CHECK ASSY, 4" 375(A)(DA)/475(DA) -OR- 350(A)(DA)/450(DA) #2	4800-PART	\$737.00
RK6-350	Repair Kit - 350/450 Rubber Only	4800-PART	\$429.00
RK6-350ASTCK1	REPAIR KIT, CHECK ASSY, 6" 350AST(DA) #1	4800-PART	\$1,022.00
RK6-350ASTCK2	REPAIR KIT, CHECK ASSY, 6" 375AST -OR- 350AST #2	4800-PART	\$981.00
RK6-350ASTDA-BP-1M	REPAIR KIT, BY-PASS ASSY, 6" 350ASTDA LESS METER	4800-PART	\$1,520.00
RK6-350ASTDACK2	REPAIR KIT, CHECK ASSY, 6" 350ASTDA #2	4800-PART	\$981.00
RK6-350CK1	REPAIR KIT, CHECK ASSY, 6" 350(A)(DA)/450(DA) #1	4800-PART	\$1,022.00
RK6-350CK2	REPAIR KIT, CHECK ASSY, 6" 375(A)(DA)/475(DA) -OR- 350(A)(DA)/450(DA) #2	4800-PART	\$981.00
RK8-350	Repair Kit - 350/450 Rubber Only	4800-PART	\$476.00
RK8-350ASTCK1	REPAIR KIT, CHECK ASSY, 8" 350AST(DA) #1	4800-PART	\$2,222.00
RK8-350ASTCK2	REPAIR KIT, CHECK ASSY, 8" 375AST -OR- 350AST #2	4800-PART	\$2,222.00
RK8-350ASTDA-BP-1M	REPAIR KIT, BY-PASS ASSY, 8" 350ASTDA LESS METER	4800-PART	\$1,852.00
RK8-350ASTDACK2	REPAIR KIT, CHECK ASSY, 8" - 10" 350ASTDA #2	4800-PART	\$2,470.00
RK8-350CK1	REPAIR KIT, CHECK ASSY, 8" - 10" 350(A)(DA)/450(DA)/(12" 350) #1	4800-PART	\$2,327.00
RK8-350CK2	REPAIR KIT, CHECK ASSY, 8" - 10" 375(A)/475 -OR- 350(A)/450/(12" 350) #2	4800-PART	\$2,327.00

10-350A	Double Check Valve, Lead-Free, Grooved Body, Flanged NRS x Flanged NRS	4800-OLBF	\$50,961.00
10-350ABF	Flanged BF x Flanged BF	4800-OLBF	\$56,027.00
10-350ABG	10" 350A W/BFLY GXG LEAD FREE	4800-OLBF	\$54,902.00
10-350AFG	Double Check Valve, Lead-Free, Grooved Body, Flanged NRS x Grooved NRS	4800-OLBF	\$50,961.00
10-350AFSC	Double Check Valve, Lead-Free, Grooved Body, Flanged NRS x Flanged NRS, FSC Strainer	4800-OLBF	\$77,219.00
10-350AL	Double Check Valve, Lead-Free, Grooved Body, Grooved x Grooved, Less Gate Valves	4800-OLBF	\$35,234.00
10-350AOSY	Double Check Valve, Lead-Free, Grooved Body, Flanged OSY x Flanged OSY	4800-OLBF	\$51,634.00
10-350AOSYFG	Double Check Valve, Lead-Free, Grooved Body, Flanged OSY x Grooved OSY	4800-OLBF	\$51,634.00
10-350AOSYG	Double Check Valve, Lead-Free, Grooved Body, Grooved OSY x Grooved OSY	4800-OLBF	\$51,634.00
10-350APIOSYG	10" 350 DC DI Body Post Ind X OSY GRV X GRV	4800-OLBF	\$50,176.00
10-350ARL-A	10" 350AL W/GRV SPOOL A LEAD FREE	4800-OLBF	\$35,915.00
212-350A	Double Check Valve, Lead-Free, 4" Grooved Body, Flanged NRS x Flanged NRS	4800-OLBF	\$8,867.00
212-350ABF	212" 350 DC DI BODY BFLY FLG X FLG	4800-OLBF	\$9,763.00
212-350ABG	2-1/2" 350A W/BFLY VLV LEAD FREE	4800-OLBF	\$9,488.00
212-350ABPIG	2-1/2" 350A W/BFLY X PI GXG LEAD FREE	4800-OLBF	\$13,740.00
212-350AG	Double Check Valve, Lead-Free, 4" Grooved Body, Grooved NRS x Grooved NRS	4800-OLBF	\$8,867.00
212-350AL	Double Check Valve, Lead-Free, 4" Grooved Body, Grooved x Grooved, 4" x 2 1/2" Grooved Couplings, Less Gate Valves	4800-OLBF	\$6,228.00
212-350AOSY	Double Check Valve, Lead-Free, 4" Grooved Body, Flanged OSY x Flanged OSY	4800-OLBF	\$9,898.00
212-350AOSYBFG	Flanged OSY x Grooved BG	4800-OLBF	\$13,740.00
212-350AOSYG	Double Check Valve, Lead-Free, 4" Grooved Body, Grooved OSY x Grooved OSY	4800-OLBF	\$9,898.00
212-350APIBG	2-1/2" 350A W/GXG PI/ BFLY LD FREE	4800-OLBF	\$13,740.00
212-350APIOSYGF	Double Check Valve, Lead-Free, 4" Grooved Body, Grooved PI x Flanged OSY	4800-OLBF	\$9,898.00
3-350A	Double Check Valve, Lead-Free, 4" Grooved Body, Flanged NRS x Flanged NRS	4800-OLBF	\$9,186.00
3-350ABF	3" 350 DC DI BODY BFLY FLG X FLG	4800-OLBF	\$10,431.00
3-350ABG	3" 350 DC DI BODY BFLY FLG X GRV	4800-OLBF	\$10,202.00
3-350ABG	3" 350A W/BFLY VLV LEAD FREE	4800-OLBF	\$9,979.00
3-350ABPIG	3" 350A W/BFLY/GXG PI LEAD FREE	4800-OLBF	\$15,734.00
3-350AG	Double Check Valve, Lead-Free, 4" Grooved Body, Grooved NRS x Grooved NRS	4800-OLBF	\$9,186.00
3-350AL	Double Check Valve, Lead-Free, 4" Grooved Body, Grooved x Grooved, 4" x 3" Grooved Couplings, Less Gate Valves	4800-OLBF	\$7,150.00
3-350ANRSBFG	3" 350A W/NRS GXF, BG GXG LF	4800-OLBF	\$14,340.00
3-350AOSY	Double Check Valve, Lead-Free, 4" Grooved Body, Flanged OSY x Flanged OSY	4800-OLBF	\$10,052.00
3-350AOSYBFG	3" 350A W/OSY AND BFLY LEAD FREE	4800-OLBF	\$14,552.00
3-350AOSYFG	Double Check Valve, Lead-Free, 4" Grooved Body, Flanged OSY x Grooved OSY	4800-OLBF	\$10,052.00
3-350AOSYG	Double Check Valve, Lead-Free, 4" Grooved Body, Grooved OSY x Grooved OSY	4800-OLBF	\$10,052.00
3-350AOSYPI	3" 350 DC DI Body OSY X Post Ind Flg X Flg	4800-OLBF	\$10,052.00
3-350AOSYPIFG	Double Check Valve, Lead-Free, 4" Grooved Body, Flanged OSY x Grooved PI	4800-OLBF	\$10,052.00
3-350AOSYPIG	Double Check Valve, Lead-Free, 4" Grooved Body, Grooved OSY x Grooved PI	4800-OLBF	\$10,052.00
3-350APIBFG	3" 350A W/PI GXF/BGXG LEAD FREE	4800-OLBF	\$14,552.00
3-350APIBG	3" 350A W/GXG PI/BFLY LEAD FREE	4800-OLBF	\$15,734.00
3-350APIOSYG	3" 350A W/PIGXG GXG OSY LEAD FREE	4800-OLBF	\$14,165.00
4-350A	Double Check Valve, Lead-Free, Grooved Body, Flanged NRS x Flanged NRS	4800-OLBF	\$11,987.00
4-350ABF	4" 350 DC DI BODY BFLY FLG X FLG	4800-OLBF	\$14,854.00
4-350ABFG	4" 350 DC DI BODY BFLY FLG X GRV	4800-OLBF	\$14,487.00
4-350ABG	4" 350 GXG BODY / BFLY LEAD FREE	4800-OLBF	\$14,117.00
4-350ABNRSG	4" 350ABG W/NRS GXG LEAD FREE	4800-OLBF	\$15,565.00
4-350ABOSY	4" 450ABG W/OSY GXF LEAD FREE	4800-OLBF	\$16,067.00
4-350ABPIG	4" 350A W / BFLY/GXG PI LEAD FREE	4800-OLBF	\$16,067.00
4-350AFG	Double Check Valve, Lead-Free, Grooved Body, Flanged NRS x Grooved NRS	4800-OLBF	\$11,987.00
4-350AFSC	Double Check Valve, Lead-Free, Grooved Body, Flanged NRS x Flanged NRS, FSC Strainer	4800-OLBF	\$14,650.00
4-350AG	Double Check Valve, Lead-Free, Grooved Body, Grooved NRS x Grooved NRS	4800-OLBF	\$11,987.00
4-350AL	Double Check Valve, Lead-Free, Grooved Body, Grooved x Grooved, Less Gate Valves	4800-OLBF	\$8,073.00
4-350ALBS	Double Check Valve, Lead-Free, Grooved Body, British Grooved, Less Gate Valves	4800-OLBF	\$8,559.00
4-350ALBSLC	Double Check Valve, Lead-Free, Grooved Body, British Grooved, Less Gate Valves, Less Check	4800-OLBF	\$8,701.00
4-350ANRSOSY	Flanged NRS x Flanged OSY	4800-OLBF	\$14,791.00
4-350ANRSOSYG	4" 350A W/NRS GXG OSY GXG LFA"350AWNRSXGOSYXGGL	4800-OLBF	\$14,794.00
4-350ANRSPI	Double Check Valve, Lead-Free, Grooved Body, Flanged NRS x Flanged PI	4800-OLBF	\$14,791.00
4-350AOSY	Double Check Valve, Lead-Free, Grooved Body, Flanged OSY x Flanged OSY	4800-OLBF	\$11,829.00
4-350AOSYBFG	4" 350 OSY FXG/ BFLYGXG LEAD FREE	4800-OLBF	\$16,067.00
4-350AOSYFG	Double Check Valve, Lead-Free, Grooved Body, Flanged OSY x Grooved OSY	4800-OLBF	\$11,829.00
4-350AOSYFSC	Double Check Valve, Lead-Free, Grooved Body, Flanged OSY x Flanged OSY, FSC Strainer	4800-OLBF	\$14,493.00
4-350AOSYG	Double Check Valve, Lead-Free, Grooved Body, Grooved OSY x Grooved OSY	4800-OLBF	\$11,829.00
4-350AOSYNRS	Double Check Valve, Lead-Free, Grooved Body, Flanged OSY x Flanged NRS	4800-OLBF	\$14,791.00
4-350AOSYNRSFG	Double Check Valve, Lead-Free, Grooved Body, Flanged OSY x Grooved NRS	4800-OLBF	\$14,791.00
4-350AOSYPI	Double Check Valve, Lead-Free, Grooved Body, Flanged OSY x Flanged PI	4800-OLBF	\$11,829.00

4-350AOSYPFIG	Double Check Valve, Lead-Free, Grooved Body, Flanged OSY x Grooved PI	4800-OLBF	\$11,829.00
4-350AOSYPIG	Double Check Valve, Lead-Free, Grooved Body, Grooved OSY x Grooved PI	4800-OLBF	\$11,829.00
4-350API	Double Check Valve, Lead-Free, Grooved Body, Flanged PI x Flanged PI	4800-OLBF	\$11,829.00
4-350APIBFG	4" 350A PI/BG FXG LEAD FREE	4800-OLBF	\$16,067.00
4-350APIBG	4-350A PI GXG/BFLY GXG LEAD FREE	4800-OLBF	\$16,067.00
4-350APIOSY	Double Check Valve, Lead-Free, Grooved Body, Flanged PI x Flanged OSY	4800-OLBF	\$11,829.00
4-350APIOSYFG	Double Check Valve, Lead-Free, Grooved Body, Flanged PI x Grooved OSY	4800-OLBF	\$11,829.00
4-350APIOSYG	Double Check Valve, Lead-Free, Grooved Body, Grooved PI x Grooved OSY	4800-OLBF	\$11,829.00
6-350A	Double Check Valve, Lead-Free, Grooved Body, Flanged NRS x Flanged NRS	4800-OLBF	\$17,288.00
6-350ABF	6" 350 DC DI BODY BFLY FLG X FLG	4800-OLBF	\$21,833.00
6-350ABFG	6" 350 DC DI BODY BFLY FLG X GRV	4800-OLBF	\$21,374.00
6-350ABG	6" 350 GXG BODY / BFLY LEAD FREE	4800-OLBF	\$20,911.00
6-350ABPIG	6" 350AGXG, BFLY/GXG PI LEAD FREE	4800-OLBF	\$24,347.00
6-350ABPIGF	6" 350A BFLY GXG/GXG PI LEAD FREE	4800-OLBF	\$29,187.00
6-350AFG	Double Check Valve, Lead-Free, Grooved Body, Flanged NRS x Grooved NRS	4800-OLBF	\$17,288.00
6-350AFSC	Double Check Valve, Lead-Free, Grooved Body, Flanged NRS x Flanged NRS, FSC Strainer	4800-OLBF	\$21,570.00
6-350AG	Double Check Valve, Lead-Free, Grooved Body, Grooved NRS x Grooved NRS	4800-OLBF	\$17,288.00
6-350AL	Double Check Valve, Lead-Free, Grooved Body, Grooved x Grooved, Less Gate Valves	4800-OLBF	\$12,445.00
6-350ALBS	Double Check Valve, Lead-Free, Grooved Body, British Grooved, Less Gate Valves	4800-OLBF	\$13,134.00
6-350ANRSBFG	6" 350A NRS FXG / BG LEAD FREE	4800-OLBF	\$23,304.00
6-350ANRSOSY	Double Check Valve, Lead-Free, Grooved Body, Flanged NRS x Flanged OSY	4800-OLBF	\$22,140.00
6-350ANRSOSYG	6" 350A W/NRSXG V / OSYXG V LEAD FREE	4800-OLBF	\$22,140.00
6-350ANRSPi	Double Check Valve, Lead-Free, Grooved Body, Flanged NRS x Flanged PI	4800-OLBF	\$22,140.00
6-350AOSY	Double Check Valve, Lead-Free, Grooved Body, Flanged OSY x Flanged OSY	4800-OLBF	\$17,951.00
6-350AOSYBFG	6" 350A W/FXG OSY/GXG BFLY LEAD FREE	4800-OLBF	\$24,347.00
6-350AOSYBG	6" 350 DC OSY X BFLY GRV X GRV	4800-OLBF	\$24,347.00
6-350AOSYFG	Double Check Valve, Lead-Free, Grooved Body, Flanged OSY x Grooved OSY	4800-OLBF	\$17,951.00
6-350AOSYFSC	Double Check Valve, Lead-Free, Grooved Body, Flanged OSY x Flanged OSY, FSC Strainer	4800-OLBF	\$22,232.00
6-350AOSYG	Double Check Valve, Lead-Free, Grooved Body, Grooved OSY x Grooved OSY	4800-OLBF	\$17,951.00
6-350AOSYPI	Double Check Valve, Lead-Free, Grooved Body, Flanged OSY x Flanged PI	4800-OLBF	\$17,951.00
6-350AOSYPIFG	Double Check Valve, Lead-Free, Grooved Body, Flanged OSY x Grooved PI	4800-OLBF	\$17,951.00
6-350AOSYPIG	Double Check Valve, Lead-Free, Grooved Body, Grooved OSY x Grooved PI	4800-OLBF	\$17,951.00
6-350API	6" 350 DC POST INDIC. X POST INDIC.	4800-OLBF	\$17,951.00
6-350APIBFG	6" 350A PI FXG/BFLY GXG LEAD FREE	4800-OLBF	\$24,347.00
6-350APIBG	6" 350A GXG PI/GXG BFLY LEAD FREE	4800-OLBF	\$24,347.00
6-350APIG	Double Check Valve, Lead-Free, Grooved Body, Grooved PI x Grooved PI	4800-OLBF	\$17,951.00
6-350APIOSY	Double Check Valve, Lead-Free, Grooved Body, Flanged PI x Flanged OSY	4800-OLBF	\$17,951.00
6-350APIOSYFG	Double Check Valve, Lead-Free, Grooved Body, Flanged PI x Grooved OSY	4800-OLBF	\$17,951.00
6-350APIOSYG	Double Check Valve, Lead-Free, Grooved Body, Grooved PI x Grooved OSY	4800-OLBF	\$17,951.00
6-350ARBG A	6" 350ABG W/GRV SPOOL A	4800-OLBF	\$21,455.00
8-350A	Double Check Valve, Lead-Free, Grooved Body, Flanged NRS x Flanged NRS	4800-OLBF	\$33,922.00
8-350ABF	Flanged BF x Flanged BF	4800-OLBF	\$41,160.00
8-350ABG	8" 350 GXG BODY / BFLY LEAD FREE	4800-OLBF	\$40,119.00
8-350AFG	Double Check Valve, Lead-Free, Grooved Body, Flanged NRS x Grooved NRS	4800-OLBF	\$33,922.00
8-350AFSC	Double Check Valve, Lead-Free, Grooved Body, Flanged NRS x Flanged NRS, FSC Strainer	4800-OLBF	\$42,423.00
8-350AG	Double Check Valve, Lead-Free, Grooved Body, Grooved NRS x Grooved NRS	4800-OLBF	\$33,922.00
8-350AL	Double Check Valve, Lead-Free, Grooved Body, Grooved x Grooved, Less Gate Valves	4800-OLBF	\$25,392.00
8-350ALBS	Double Check Valve, Lead-Free, Grooved Body, British Grooved, Less Gate Valves	4800-OLBF	\$23,688.00
8-350AOSY	Double Check Valve, Lead-Free, Grooved Body, Flanged OSY x Flanged OSY	4800-OLBF	\$34,598.00
8-350AOSYBFG	8" 350A OSY FXG / BF GXG LEAD FREE	4800-OLBF	\$43,251.00
8-350AOSYFG	Double Check Valve, Lead-Free, Grooved Body, Flanged OSY x Grooved OSY	4800-OLBF	\$34,598.00
8-350AOSYFSC	Double Check Valve, Lead-Free, Grooved Body, Flanged OSY x Flanged OSY, FSC Strainer	4800-OLBF	\$43,100.00
8-350AOSYG	Double Check Valve, Lead-Free, Grooved Body, Grooved OSY x Grooved OSY	4800-OLBF	\$34,598.00
8-350AOSYGF	Double Check Valve, Lead-Free, Grooved Body, Grooved OSY x Flanged OSY	4800-OLBF	\$34,598.00
8-350AOSYPI	Double Check Valve, Lead-Free, Grooved Body, Flanged OSY x Flanged PI	4800-OLBF	\$34,598.00
8-350AOSYPIFG	Double Check Valve, Lead-Free, Grooved Body, Flanged OSY x Grooved PI	4800-OLBF	\$34,598.00
8-350AOSYPIG	Double Check Valve, Lead-Free, Grooved Body, Grooved OSY x Grooved PI	4800-OLBF	\$34,598.00
8-350APIBFG	8" 350A PI FXG/BFLY G LEAD FREE	4800-OLBF	\$43,251.00
8-350APIBG	8" 350A PI GXG / BFLY G LEAD FREE	4800-OLBF	\$43,251.00
8-350APIOSY	8" 350A PI W / OSY LEAD FREE	4800-OLBF	\$33,922.00

8-350APIOSYG	Double Check Valve, Lead-Free, Grooved Body, Grooved PI x Grooved OSY	4800-OLBF	\$33,922.00
10-350ADA	Double Check Detector Assy, Grooved Body, Flanged OSY x Flanged OSY	4800-OLBF	\$56,130.00
10-350ADABF	Flanged BF x Flanged BF	4800-OLBF	\$63,769.00
10-350ADABG	10" 350ADA W/BFLY GXG	4800-OLBF	\$62,649.00
10-350ADACFM	Double Check Detector Assy, Grooved Body, Flanged OSY x Flanged OSY, CFM Meter	4800-OLBF	\$56,130.00
10-350ADACFMBG	10" 350 DCDA DI Body CU Ft Mtr Bfly GRV X GRV	4800-OLBF	\$62,649.00
10-350ADACFMFG	Double Check Detector Assy, Grooved Body, Flanged OSY x Grooved OSY, CFM Meter	4800-OLBF	\$56,130.00
10-350ADAFG	Double Check Detector Assy, Grooved Body, Flanged OSY x Grooved OSY	4800-OLBF	\$56,130.00
10-350ADAG	Double Check Detector Assy, Grooved Body, Grooved OSY x Grooved OSY	4800-OLBF	\$56,130.00
10-350ADAL	Double Check Detector Assy, Grooved Body, Grooved OSY x Grooved OSY, Less Gate Valves	4800-OLBF	\$39,587.00
10-350ADALM	Double Check Detector Assy, Grooved Body, Flanged OSY x Flanged OSY, Less Meter	4800-OLBF	\$55,339.00
10-350ADALMG	Double Check Detector Assy, Grooved Body, Grooved OSY x Grooved OSY, Less Meter	4800-OLBF	\$55,339.00
10-350ADALMNYC	10" 350ADA L/MTR NEW YORK10"350ADALMTRNEWYORK	4800-OLBF	\$55,339.00
10-350ADAOOSYPI	10" 350ADA W/OSY X PI GV	4800-OLBF	\$56,130.00
10-350ADAPIOSY	Double Check Detector Assy, Grooved Body, Flanged PI x Flanged OSY	4800-OLBF	\$56,130.00
10-350ADARCFMFG-A	10" 350 DCDA W/SPOOL CU FT MTR BFLY GRV X GRV	4800-OLBF	\$63,329.00
212-350ADA	Double Check Detector Assy, Grooved Body, Flanged OSY x Flanged OSY	4800-OLBF	\$11,985.00
212-350ADABF	212" 350 DCDA DI BODY GAL MTR BFLY FLG X FLG	4800-OLBF	\$13,144.00
212-350ADABFG	212" 350 DCDA DI BODY GAL MTR BFLY FLG X GRV	4800-OLBF	\$12,969.00
212-350ADABG	2-1/2" 350ADA GXG W/BFLY	4800-OLBF	\$12,803.00
212-350ADABOSYG	2-1/2" 350 DCDA BFLY OSY GATES GRV X GRV	4800-OLBF	\$15,349.00
212-350ADACFM	Double Check Detector Assy, Grooved Body, Flanged OSY x Flanged OSY, CFM Meter	4800-OLBF	\$11,985.00
212-350ADACFMBG	2-1/2" 350ADACFM GXG BFLY	4800-OLBF	\$12,803.00
212-350ADACFMFG	2-1/2" 350A DCDA DI Body CU Ft Mtr OSY Gates GRV X GRV	4800-OLBF	\$11,985.00
212-350ADAFG	Double Check Detector Assy, Grooved Body, Flanged OSY x Grooved OSY	4800-OLBF	\$11,985.00
212-350ADAG	Double Check Detector Assy, Grooved Body, Grooved OSY x Grooved OSY	4800-OLBF	\$11,985.00
212-350ADALM	2-1/2" 350ADA W/OSY L/MTR LEAD FREE212"350ADAWOSYLMTRLE	4800-OLBF	\$11,188.00
212-350ADALMBG	2-1/2" 350ADALM W/BFLY	4800-OLBF	\$13,592.00
212-350ADAOOSYPI	2-1/2" 350ADA W/OSY X PI212"350ADAWOSYXPI	4800-OLBF	\$11,985.00
212-350ADAPIOSY	2-1/2" 350ADA W/PI X OSY	4800-OLBF	\$11,985.00
212-350ADAPIOSYG	2-1/2" 350 DCDA DI Body Gal Mtr Post Ind X OSY GRV X GRV	4800-OLBF	\$11,985.00
212-350ADARCFM-A	2-1/2" 350 DCDA W/SPOOL CU FT MTR	4800-OLBF	\$12,529.00
3-350ADA	Double Check Detector Assy, Grooved Body, Flanged OSY x Flanged OSY	4800-OLBF	\$13,591.00
3-350ADABF	3" 350 DCDA DI BODY GAL MTR BFLY FLG X FLG	4800-OLBF	\$15,427.00
3-350ADABG	3" 350ADA GXG W/BFLY	4800-OLBF	\$14,818.00
3-350ADABPIG	3" 350 DCDA BFLY POST IND X POST IND GRV X GRV	4800-OLBF	\$16,419.00
3-350ADACFM	Double Check Detector Assy, Grooved Body, Flanged OSY x Flanged OSY, CFM Meter	4800-OLBF	\$13,591.00
3-350ADACFMBG	3" 350ADA W/CFM /BFLY VLV	4800-OLBF	\$14,818.00
3-350ADAFG	3" 350ADA W/OSY FXG / OSY GXG3"350ADAWOSYFXGOSYXG	4800-OLBF	\$13,591.00
3-350ADAG	Double Check Detector Assy, Grooved Body, Grooved OSY x Grooved OSY	4800-OLBF	\$13,591.00
3-350ADAL	3" 350ADA L/GV3"350ADALGV	4800-OLBF	\$8,143.00
3-350ADALLMNYC	3" 350ADA L/GV L/METER NEW YORK	4800-OLBF	\$7,352.00
3-350ADALM	3" 350ADA W/OSY L/MTR LEAD FREE3"350ADAWOSYLMTRLEAD	4800-OLBF	\$12,801.00
3-350ADALMBG	3" 350ADA LMETER/BFLY	4800-OLBF	\$14,022.00
3-350ADALMNYC	Double Check Detector Assy, Grooved Body, Flanged OSY x Flanged OSY, Less Meter, NYC Configuration	4800-OLBF	\$12,801.00
3-350ADALMNYCBG	3" 350ADA L/MTR NY W/BFLY	4800-OLBF	\$14,950.00
3-350ADAOSYBFG	3" 350ADA W/BFLY/OSY	4800-OLBF	\$15,745.00
3-350ADAPIBFG	3" 350ADA W/PI GXF /BG	4800-OLBF	\$15,745.00
3-350ADAPIOSYG	3" 350ADA GXG PI/OSY GXG	4800-OLBF	\$13,591.00
3-350ADARCFM-A	3" 350ADARCFM W/GRV SPOOL A	4800-OLBF	\$14,135.00
3-350ADACFMOSYPIG	3" 350ADACFM W/FXG OSY /FXG PI	4800-OLBF	\$13,591.00
4-350ADA	Double Check Detector Assy, Grooved Body, Flanged OSY x Flanged OSY	4800-OLBF	\$14,168.00
4-350ADABF	4" 350 DCDA DI BODY GAL MTR BFLY FLG X FLG	4800-OLBF	\$16,268.00
4-350ADABFG	4" 350 DCDA DI BODY GAL MTR BFLY FLG X GRV	4800-OLBF	\$16,268.00
4-350ADABG	4" 350DA GXG BODY/BFLY	4800-OLBF	\$15,601.00
4-350ADABOSY	4" 350ADA W/BFLY/GXG OSY	4800-OLBF	\$19,832.00
4-350ADABPIGF	4" 350ADA W/BFLY IN PI OUT GXF	4800-OLBF	\$20,713.00
4-350ADACFM	Double Check Detector Assy, Grooved Body, Flanged OSY x Flanged OSY, CFM Meter	4800-OLBF	\$14,168.00
4-350ADACFMBG	4" 350ADABG W/CFM MTR	4800-OLBF	\$15,601.00
4-350ADACFMFG	Double Check Detector Assy, Grooved Body, Flanged OSY x Grooved OSY	4800-OLBF	\$14,168.00
4-350ADACFMFG	Double Check Detector Assy, Grooved Body, Grooved OSY x Grooved OSY, CFM Meter	4800-OLBF	\$14,168.00
4-350ADACFMOSYPI	Double Check Detector Assy, Grooved Body, Flanged OSY x Flanged PI, CFM Meter	4800-OLBF	\$14,168.00
4-350ADACFMOSYPIFG	Double Check Detector Assy, Grooved Body, Flanged OSY x Grooved PI, CFM Meter	4800-OLBF	\$14,168.00
4-350ADACFMOSYPIG	Double Check Detector Assy, Grooved Body, Grooved OSY x Grooved PI, CFM Meter	4800-OLBF	\$14,168.00
4-350ADACFMPIOSY	4" 350 DCDA DI Body CU Ft Mtr Post Ind X OSY FLG X FLG	4800-OLBF	\$14,168.00
4-350ADAFG	Double Check Detector Assy, Grooved Body, Flanged OSY x Grooved OSY	4800-OLBF	\$14,168.00
4-350ADAG	Double Check Detector Assy, Grooved Body, Grooved OSY x Grooved OSY	4800-OLBF	\$14,168.00
4-350ADAGF	Double Check Detector Assy, Grooved Body, Grooved OSY x Flanged OSY	4800-OLBF	\$14,168.00

4-350ADAL	Double Check Detector Assy, Grooved Body, Grooved OSY x Grooved OSY, Less Gate Valves	4800-OLBF	\$9,595.00
4-350ADALCFM	Double Check Detector Assy, Grooved Body, Grooved OSY x Grooved OSY, Less GV, CFM Meter	4800-OLBF	\$12,666.00
4-350ADALLM	Double Check Detector Assy, Grooved Body, Grooved OSY x Grooved OSY, Less GV, Less Meter	4800-OLBF	\$8,805.00
4-350ADALLMNYC	Double Check Detector Assy, Grooved Body, Grooved x Grooved, Less GV, Less Meter, NYC Configuration	4800-OLBF	\$8,805.00
4-350ADALM	Double Check Detector Assy, Grooved Body, Flanged OSY x Flanged OSY, Less Meter	4800-OLBF	\$13,377.00
4-350ADALMBG	4" 350ADALM W/BFLY	4800-OLBF	\$14,805.00
4-350ADALMFG	Double Check Detector Assy, Grooved Body, Flanged OSY x Grooved OSY, Less Meter	4800-OLBF	\$13,377.00
4-350ADALMG	Double Check Detector Assy, Grooved Body, Grooved OSY x Grooved OSY, Less Meter	4800-OLBF	\$13,377.00
4-350ADALMGF	Double Check Detector Assy, Grooved Body, Grooved OSY x Flanged OSY, Less Meter	4800-OLBF	\$13,377.00
4-350ADALMNYC	Double Check Detector Assy, Grooved Body, Flanged OSY x Flanged OSY, Less Meter, NYC Configuration	4800-OLBF	\$13,377.00
4-350ADALMNYCBG	4" 350ADA L/MTRNYC W/BFLY VLV	4800-OLBF	\$19,034.00
4-350ADALMNYCG	4" 350ADA L/MTR NEW YORK GXG	4800-OLBF	\$17,059.00
4-350ADALMRV	4" 350 DCDA DI Body Less Mtr Rvrs DA Side OSY Gates FLG X FLG	4800-OLBF	\$13,377.00
4-350ADAOSYBFG	4" 350ADA OSY FXG/BFLY	4800-OLBF	\$19,832.00
4-350ADAOSYPI	Double Check Detector Assy, Grooved Body, Flanged OSY x Flanged PI	4800-OLBF	\$14,168.00
4-350ADAOSYPIFG	Double Check Detector Assy, Grooved Body, Flanged OSY x Grooved PI	4800-OLBF	\$14,168.00
4-350ADAOSYPIG	Double Check Detector Assy, Grooved Body, Grooved OSY x Grooved PI	4800-OLBF	\$14,168.00
4-350ADAOSYPIGF	Double Check Detector Assy, Grooved Body, Grooved OSY x Flanged PI	4800-OLBF	\$14,168.00
4-350ADAPIBFG	4" 350 DCDA DI Body Gal Mtr Post Ind X Bfly FLG X GRV	4800-OLBF	\$19,832.00
4-350ADAPIBG	4" 350ADA W/G PI/G BFLY	4800-OLBF	\$19,832.00
4-350ADAPIG	4" 350 DCDA POST IND X POST IND GRV X GRV	4800-OLBF	\$14,168.00
4-350ADAPIOSY	Double Check Detector Assy, Grooved Body, Flanged PI x Flanged OSY	4800-OLBF	\$14,168.00
4-350ADAPIOSYFG	4" 350ADA FXG PI/OSY GXG	4800-OLBF	\$14,168.00
4-350ADAPIOSYSG	Double Check Detector Assy, Grooved Body, Grooved PI x Grooved OSY	4800-OLBF	\$14,168.00
4-350ADARCFM-A	4" 350ADARCFM W/ GRV SPOOL A	4800-OLBF	\$14,712.00
6-350ADA	Double Check Detector Assy, Grooved Body, Flanged OSY x Flanged OSY	4800-OLBF	\$20,905.00
6-350ADABF	6" 350 DCDA DI BODY GAL MTR BFLY FLG X FLG	4800-OLBF	\$23,891.00
6-350ADABFG	6" 350 DCDA DI BODY GAL MTR BFLY FLG X GRV	4800-OLBF	\$23,891.00
6-350ADABG	6" 350ADA GXG BODY/BFLY	4800-OLBF	\$23,020.00
6-350ADABOSYSG	6" 350 DCDA DI Body Gal Mtr Bfly X OSY GRV X GRV	4800-OLBF	\$30,612.00
6-350ADABPIG	6" 350ADA BFLY GXG/GXG PI	4800-OLBF	\$28,623.00
6-350ADACFM	Double Check Detector Assy, Grooved Body, Flanged OSY x Flanged OSY, CFM Meter	4800-OLBF	\$20,905.00
6-350ADACFMBG	6" 350ADABG W/CFM MTR	4800-OLBF	\$23,020.00
6-350ADACFMFG	Double Check Detector Assy, Grooved Body, Flanged OSY x Grooved OSY	4800-OLBF	\$20,905.00
6-350ADACFMG	Double Check Detector Assy, Grooved Body, Grooved OSY x Grooved OSY, CFM Meter	4800-OLBF	\$20,905.00
6-350ADACFMGF	6" 350ADA W/CFM MTR GXF6"350ADAWCFMTRGXF	4800-OLBF	\$20,905.00
6-350ADACFMOSYPI	Double Check Detector Assy, Grooved Body, Flanged OSY x Flanged PI, CFM Meter	4800-OLBF	\$20,905.00
6-350ADACFMOSYPIFG	Double Check Detector Assy, Grooved Body, Flanged OSY x Grooved PI, CFM Meter	4800-OLBF	\$20,905.00
6-350ADACFMOSYPIG	Double Check Detector Assy, Grooved Body, Grooved OSY x Grooved PI, CFM Meter	4800-OLBF	\$20,905.00
6-350ADACFMOSYPIGF	Double Check Detector Assy, Grooved Body, Grooved OSY x Flanged PI, CFM Meter	4800-OLBF	\$20,905.00
6-350ADAFG	Double Check Detector Assy, Grooved Body, Flanged OSY x Grooved OSY	4800-OLBF	\$20,905.00
6-350ADAG	Double Check Detector Assy, Grooved Body, Grooved OSY x Grooved OSY	4800-OLBF	\$20,905.00
6-350ADAL	Double Check Detector Assy, Grooved Body, Grooved OSY x Grooved OSY, Less Gate Valves	4800-OLBF	\$14,350.00
6-350ADALCFM	Double Check Detector Assy, Grooved Body, Grooved OSY x Grooved OSY, Less GV, CFM Meter	4800-OLBF	\$18,532.00
6-350ADALLM	Double Check Detector Assy, Grooved Body, Grooved OSY x Grooved OSY, Less GV, Less Meter	4800-OLBF	\$13,558.00
6-350ADALLMNYC	6" 350SADA L/GV L/MTR NYC	4800-OLBF	\$13,558.00
6-350ADALM	Double Check Detector Assy, Grooved Body, Flanged OSY x Flanged OSY, Less Meter	4800-OLBF	\$20,116.00
6-350ADALMBG	6" 350ADA LESS M/BG	4800-OLBF	\$22,228.00
6-350ADALMFG	Double Check Detector Assy, Grooved Body, Flanged OSY x Grooved OSY, Less Meter	4800-OLBF	\$20,116.00
6-350ADALMG	Double Check Detector Assy, Grooved Body, Grooved OSY x Grooved OSY, Less Meter	4800-OLBF	\$20,116.00
6-350ADALMNYC	Double Check Detector Assy, Grooved Body, Flanged OSY x Flanged OSY, Less Meter, NYC Configuration	4800-OLBF	\$20,116.00
6-350ADALMNYCBG	6" 350ADA L/MTR NEW YORK W/BG	4800-OLBF	\$29,724.00
6-350ADALMPIOY	Double Check Detector Assy, Grooved Body, Flanged PI x Flanged OSY, Less Meter	4800-OLBF	\$20,116.00
6-350ADALMPIOYSG	Double Check Detector Assy, Grooved Body, Grooved PI x Grooved OSY, Less Meter	4800-OLBF	\$20,116.00
6-350ADALOSY	Double Check Detector Assy, Grooved Body, Grooved OSY x Grooved OSY, Less Inlet Gate Valve	4800-OLBF	\$22,767.00
6-350ADAOSYBFG	6" 350ADA OSY FXG/ BFLY	4800-OLBF	\$28,623.00
6-350ADAOSYPI	Double Check Detector Assy, Grooved Body, Flanged OSY x Flanged PI	4800-OLBF	\$20,905.00
6-350ADAOSYPIFG	Double Check Detector Assy, Grooved Body, Flanged OSY x Grooved PI	4800-OLBF	\$20,905.00
6-350ADAOSYPIG	Double Check Detector Assy, Grooved Body, Grooved OSY x Grooved PI	4800-OLBF	\$20,905.00
6-350ADAPI	Flanged PI x Flanged PI	4800-OLBF	\$20,905.00
6-350ADAPIBFG	Flanged PI x Grooved BG	4800-OLBF	\$28,623.00

6-350ADAPIOY	Double Check Detector Assy, Grooved Body, Flanged PI x Flanged OSY	4800-OLBF	\$20,905.00
6-350ADAPIOYSG	Double Check Detector Assy, Grooved Body, Grooved PI x Grooved OSY	4800-OLBF	\$20,905.00
6-350ADARCFM-A	6" 350ADARCFM W/ GRV SPOOL A	4800-OLBF	\$21,450.00
8-350ADA	Double Check Detector Assy, Grooved Body, Flanged OSY x Flanged OSY	4800-OLBF	\$36,784.00
8-350ADABF	Flanged BF x Flanged BF	4800-OLBF	\$41,442.00
8-350ADABFG	Flanged BF x Grooved BG	4800-OLBF	\$41,442.00
8-350ADABG	8" 350DA GXG BODY/BFLY	4800-OLBF	\$40,501.00
8-350ADABGF	8" 350 DCDA DI Body Gal Mtr Bfly GRV X FLG	4800-OLBF	\$41,442.00
8-350ADACFM	Double Check Detector Assy, Grooved Body, Flanged OSY x Flanged OSY, CFM Meter	4800-OLBF	\$36,784.00
8-350ADACFMFB	8" 350 DCDA CU FT MIR BFLY FLG X FLG	4800-OLBF	\$41,442.00
8-350ADACFMFG	Double Check Detector Assy, Grooved Body, Flanged OSY x Grooved OSY	4800-OLBF	\$36,784.00
8-350ADACFMG	Double Check Detector Assy, Grooved Body, Grooved OSY x Grooved OSY, CFM Meter	4800-OLBF	\$36,784.00
8-350ADACFMOSYPI	Double Check Detector Assy, Grooved Body, Flanged OSY x Flanged PI, CFM Meter	4800-OLBF	\$36,784.00
8-350ADACFMOSYPIFG	Double Check Detector Assy, Grooved Body, Flanged OSY x Grooved PI, CFM Meter	4800-OLBF	\$36,784.00
8-350ADACFMOSYPIG	Double Check Detector Assy, Grooved Body, Grooved OSY x Grooved PI, CFM Meter	4800-OLBF	\$36,784.00
8-350ADAFG	Double Check Detector Assy, Grooved Body, Flanged OSY x Grooved OSY	4800-OLBF	\$36,784.00
8-350ADAG	Double Check Detector Assy, Grooved Body, Grooved OSY x Grooved OSY	4800-OLBF	\$36,784.00
8-350ADAGF	Double Check Detector Assy, Grooved Body, Grooved OSY x Flanged OSY	4800-OLBF	\$36,784.00
8-350ADAL	Double Check Detector Assy, Grooved Body, Grooved OSY x Grooved OSY, Less Gate Valves	4800-OLBF	\$26,250.00
8-350ADALCFM	Double Check Detector Assy, Grooved Body, Grooved OSY x Grooved OSY, Less GV, CFM Meter	4800-OLBF	\$33,047.00
8-350ADALM	Double Check Detector Assy, Grooved Body, Flanged OSY x Flanged OSY, Less Meter	4800-OLBF	\$35,998.00
8-350ADALMBG	8" 350ADA L/MTR W/BG	4800-OLBF	\$39,711.00
8-350ADALMFG	Double Check Detector Assy, Grooved Body, Flanged OSY x Grooved OSY, Less Meter	4800-OLBF	\$35,998.00
8-350ADALMG	Double Check Detector Assy, Grooved Body, Grooved OSY x Grooved OSY, Less Meter	4800-OLBF	\$35,998.00
8-350ADALMNYC	Double Check Detector Assy, Grooved Body, Flanged OSY x Flanged OSY, Less Meter, NYC Configuration	4800-OLBF	\$35,998.00
8-350ADALMNYCG	8" 350 DCDA DI Body Less Mtr NYC OSY Gates GRV X GRV	4800-OLBF	\$43,251.00
8-350ADALMOSYPI	Double Check Detector Assy, Grooved Body, Flanged OSY x Flanged PI, Less Meter	4800-OLBF	\$35,998.00
8-350ADAOSYBFG	8" 350ADA OSY FXG/BFLY	4800-OLBF	\$49,096.00
8-350ADAOSYPI	Double Check Detector Assy, Grooved Body, Flanged OSY x Flanged PI	4800-OLBF	\$36,784.00
8-350ADAOSYPIFG	Double Check Detector Assy, Grooved Body, Flanged OSY x Grooved PI	4800-OLBF	\$36,784.00
8-350ADAOSYPIG	Double Check Detector Assy, Grooved Body, Grooved OSY x Grooved PI	4800-OLBF	\$36,784.00
8-350ADA-PE	8" 350ADA W/SPCL BY-PASS8"350ADAW/SPCLBY-PAS	4800-OLBF	\$55,251.00
8-350ADAPIOY	Double Check Detector Assy, Grooved Body, Flanged PI x Flanged OSY	4800-OLBF	\$36,784.00
8-350ADAPIOYSG	Double Check Detector Assy, Grooved Body, Grooved PI x Grooved OSY	4800-OLBF	\$36,784.00
8-350ADARLM A	8" 350ADALM W/GRV SPOOL A	4800-OLBF	\$36,678.00
4-350ADAL-RPCK	4" 350 DCDA DI Body Gal Mtr Less Shutoff Grv X Grv w/ RP#1 check Aus	4800-OLBF	\$7,010.00
6-350ADAL-RPCK	6" 350 DCDA DI Body Gal Mtr Less Shutoff Grv X Grv w/ RP#1 check Aus	4800-OLBF	\$11,889.00
10-350ADAR-A	10" 350ADA W/GRV SPOOL A	4800-OLBF	\$56,811.00
212-350ADAR-A	2-1/2" 350ADA W/GRV SPOOL A	4800-OLBF	\$12,529.00
3-350ADAR-A	3" 350ADA W/GRV SPOOL A	4800-OLBF	\$14,135.00
4-350ADAR-A	4" 350ADA W/GRV SPOOL A	4800-OLBF	\$14,712.00
6-350ADAR-A	6" 350ADA W/GRV SPOOL A	4800-OLBF	\$21,450.00
6-350ADAROSYPI A	6" 350 DCDA W/SPOOL OSY X POST IND	4800-OLBF	\$21,450.00
6-350ADARV	6" 350 DCDA DI Body Gal Mtr Rvrs DA OSY Gates FLG X FLG	4800-OLBF	\$20,905.00
8-350ADAR-A	8" 350ADA W/GRV SPOOL A	4800-OLBF	\$37,464.00
8-350ADARCFM-A	8" 350 DCDA DI Body W/spool CU Ft Mtr OSY Gates FLG X FLG	4800-OLBF	\$37,464.00
10-350AR-A	10" 350A W/GRV SPOOL A LEAD FREE	4800-OLBF	\$51,642.00
10-350AROSY-A	10" 350AOSY W/GRV SPOOL A LEAD FREE	4800-OLBF	\$52,315.00
212-350AR-A	2-1/2" 350A W/GRV SPOOL A LEAD FREE	4800-OLBF	\$9,412.00
212-350AROSY-A	2-1/2" 350AOSY W/GRV SPOOL A LEAD FREE	4800-OLBF	\$10,442.00
3-350AR-A	3" 350A W/GRV SPOOL A LEAD FREE	4800-OLBF	\$9,731.00
3-350AROSY-A	3" 350AOSY W/GRV SPOOL A LEAD FREE	4800-OLBF	\$10,597.00
4-350AR-A	4" 350A W/GRV SPOOL A LEAD FREE	4800-OLBF	\$12,531.00
4-350AROSY-A	4" 350AOSY W/GRV SPOOL A LEAD FREE	4800-OLBF	\$12,373.00
4-350AROSYFSC-A	4" 350 DC DI Body W/spool OSY Gates FLG Strrv Epoxy Coat FLG X FLG	4800-OLBF	\$15,038.00
6-350AR-A	6" 350A W/GRV SPOOL A LEAD FREE	4800-OLBF	\$17,832.00
6-350ARL A	6" 350 DC DI Body W/spool Less Shutoff GRV X GRV	4800-OLBF	\$12,989.00
6-350AROSY-A	6" 350AOSY W/GRV SPOOL A LEAD FREE	4800-OLBF	\$18,495.00
8-350AR-A	8" 350A W/GRV SPOOL A LEAD FREE	4800-OLBF	\$34,602.00
8-350AROSY-A	8" 350AOSY W/GRV SPOOL A LEAD FREE	4800-OLBF	\$35,278.00
10-350AST	Double Check Valve, Lead-Free, SS Grooved Body, Flanged NRS x Flanged NRS	4800-OLBF	\$50,961.00
10-350ASTBF	Flanged BF x Flanged BF	4800-OLBF	\$56,027.00
10-350ASTBG	Double Check Valve, Lead-Free, SS Grooved Body, Grooved BFLY x Grooved BFLY	4800-OLBF	\$54,902.00
10-350ASTOSY	Double Check Valve, Lead-Free, SS Grooved Body, Flanged OSY x Flanged OSY	4800-OLBF	\$51,634.00
10-350ASTOSYST	Double Check Valve, Lead-Free, SS Grooved Body, Flanged OSY x Flanged OSY, SS Trim	4800-OLBF	\$59,004.00
212-350AST	Double Check Valve, Lead-Free, SS Grooved Body, Flanged NRS x Flanged NRS	4800-OLBF	\$8,867.00
212-350ASTBF	212" 350 DC SS BODY BFLY FLG X FLG	4800-OLBF	\$9,763.00

212-350ASTBFG	212" 350 DC SS BODY BFLY FLG X GRV	4800-OLBF	\$9,626.00
212-350ASTBG	Double Check Valve, Lead-Free, SS Grooved Body, Grooved BFLY x Grooved BFLY	4800-OLBF	\$9,488.00
212-350ASTBPIG	2-1/2" 350 DC SS BODY BFLY POST IND X POST IND GRV X GRV	4800-OLBF	\$14,007.00
212-350ASTG	2-1/2" 350 DC SS Body NRS Gates GRV X GRV	4800-OLBF	\$8,867.00
212-350ASTOSY	Double Check Valve, Lead-Free, SS Grooved Body, Flanged OSY x Flanged OSY	4800-OLBF	\$9,898.00
212-350ASTOSYBFG	Flanged OSY x Grooved BG	4800-OLBF	\$13,740.00
212-350ASTOSYFG	Double Check Valve, Lead-Free, SS Grooved Body, Flanged OSY x Grooved OSY	4800-OLBF	\$9,898.00
212-350ASTPIBFG	Flanged PI x Grooved BG	4800-OLBF	\$11,252.00
212-350ASTPIOSYFG	2-1/2" 350 DC SS Body Post Ind X OSY FLG X GRV	4800-OLBF	\$11,252.00
3-350AST	Double Check Valve, Lead-Free, SS Grooved Body, Flanged NRS x Flanged NRS	4800-OLBF	\$9,186.00
3-350ASTBF	3" 350 DC SS BODY BFLY FLG X FLG	4800-OLBF	\$10,431.00
3-350ASTBFG	3" 350 DC SS BODY BFLY FLG X GRV	4800-OLBF	\$10,202.00
3-350ASTBG	Double Check Valve, Lead-Free, SS Grooved Body, Grooved BFLY x Grooved BFLY	4800-OLBF	\$9,979.00
3-350ASTBNRSG	3" 350 DC SS Body Bfly X NRS GRV X GRV	4800-OLBF	\$9,979.00
3-350ASTG	3" 350 DC SS Body NRS Gates GRV X GRV	4800-OLBF	\$9,186.00
3-350ASTNRSPI	3" 350 DC SS BODY NRS X POST IND	4800-OLBF	\$14,374.00
3-350ASTOSY	Double Check Valve, Lead-Free, SS Grooved Body, Flanged OSY x Flanged OSY	4800-OLBF	\$10,052.00
3-350ASTOSYBFG	Flanged OSY x Grooved BG	4800-OLBF	\$14,552.00
3-350ASTOSYFG	Double Check Valve, Lead-Free, SS Grooved Body, Flanged OSY x Grooved OSY	4800-OLBF	\$10,052.00
3-350ASTOSYST	Double Check Valve, Lead-Free, SS Grooved Body, Flanged OSY x Flanged OSY, SS Trim	4800-OLBF	\$15,304.00
3-350ASTPIBFG	Flanged PI x Grooved BG	4800-OLBF	\$10,202.00
4-350AST	Double Check Valve, Lead-Free, SS Grooved Body, Flanged NRS x Flanged NRS	4800-OLBF	\$11,987.00
4-350ASTBF	4" 350 DC SS BODY BFLY FLG X FLG	4800-OLBF	\$14,854.00
4-350ASTBFG	4" 350 DC SS BODY BFLY FLG X GRV	4800-OLBF	\$14,487.00
4-350ASTBG	Double Check Valve, Lead-Free, SS Grooved Body, Grooved BFLY x Grooved BFLY	4800-OLBF	\$14,117.00
4-350ASTBFG	4" 350 DC SS BODY BFLY GRV X FLG	4800-OLBF	\$17,275.00
4-350ASTBNRSG	4" 350 DC SS Body Bfly X NRS GRV X GRV	4800-OLBF	\$16,012.00
4-350ASTBPIG	4" 350AST W/BFLY X PI GXG LEAD FREE	4800-OLBF	\$16,067.00
4-350ASTFG	Double Check Valve, Lead-Free, SS Grooved Body, Flanged NRS x Grooved NRS	4800-OLBF	\$11,987.00
4-350ASTNRSBFG	4" 350AST SS W/NRS GXF & BF GXG	4800-OLBF	\$16,012.00
4-350ASTOSY	Double Check Valve, Lead-Free, SS Grooved Body, Flanged OSY x Flanged OSY	4800-OLBF	\$11,829.00
4-350ASTOSYBFG	Flanged OSY x Grooved BG	4800-OLBF	\$16,067.00
4-350ASTOSYFG	Double Check Valve, Lead-Free, SS Grooved Body, Flanged OSY x Grooved OSY	4800-OLBF	\$11,829.00
4-350ASTOSYST	Double Check Valve, Lead-Free, SS Grooved Body, Flanged OSY x Flanged OSY, SS Trim	4800-OLBF	\$16,432.00
6-350AST	Double Check Valve, Lead-Free, SS Grooved Body, Flanged NRS x Flanged NRS	4800-OLBF	\$17,288.00
6-350ASTBF	6" 350 DC SS BODY BFLY FLG X FLG	4800-OLBF	\$21,833.00
6-350ASTBFG	6" 350 DC SS BODY BFLY FLG X GRV	4800-OLBF	\$21,374.00
6-350ASTBG	Double Check Valve, Lead-Free, SS Grooved Body, Grooved BFLY x Grooved BFLY	4800-OLBF	\$20,911.00
6-350ASTBNRSFG	6" 350 DC SS Body Bfly X NRS FLG X GRV	4800-OLBF	\$26,644.00
6-350ASTL	6" 350 DC SS Body Less Shutoff	4800-OLBF	\$9,050.00
6-350ASTOSY	Double Check Valve, Lead-Free, SS Grooved Body, Flanged OSY x Flanged OSY	4800-OLBF	\$17,951.00
6-350ASTOSYBFG	6" 350AST SS W/OSY/BFLY FXG	4800-OLBF	\$24,347.00
6-350ASTOSYFG	Double Check Valve, Lead-Free, SS Grooved Body, Flanged OSY x Grooved OSY	4800-OLBF	\$17,951.00
6-350ASTOSYG	6" 350AST W/OSY GXG	4800-OLBF	\$17,951.00
6-350ASTOSYST	Double Check Valve, Lead-Free, SS Grooved Body, Flanged OSY x Flanged OSY, SS Trim	4800-OLBF	\$24,313.00
6-350ASTPIBFG	Flanged PI x Grooved BG	4800-OLBF	\$19,941.00
8-350AST	Double Check Valve, Lead-Free, SS Grooved Body, Flanged NRS x Flanged NRS	4800-OLBF	\$33,922.00
8-350ASTBF	8" 350 DC SS BODY BFLY FLG X FLG	4800-OLBF	\$41,160.00
8-350ASTBFG	Flanged BF x Grooved BG	4800-OLBF	\$40,638.00
8-350ASTBG	Double Check Valve, Lead-Free, SS Grooved Body, Grooved BFLY x Grooved BFLY	4800-OLBF	\$40,119.00
8-350ASTOSY	Double Check Valve, Lead-Free, SS Grooved Body, Flanged OSY x Flanged OSY	4800-OLBF	\$34,598.00
8-350ASTOSYBFG	Flanged OSY x Grooved BG	4800-OLBF	\$43,251.00
8-350ASTOSYFG	8" 350AST W/OSY GV FXG LEAD FREE	4800-OLBF	\$34,598.00
8-350ASTOSYFG	8" 350 DC SS Body OSY Gates GRV X FLG	4800-OLBF	\$34,598.00
8-350ASTOSYST	Double Check Valve, Lead-Free, SS Grooved Body, Flanged OSY x Flanged OSY, SS Trim	4800-OLBF	\$42,310.00
8-350ASTPIBFG	Flanged PI x Grooved BG	4800-OLBF	\$37,620.00
8-350ASTOSY-A	8" 350 DC SS Body W/spool OSY Gates GRV X GRV	4800-OLBF	\$35,278.00
RK10-350ASTCK1	REPAIR KIT, CHECK ASSY, 10" 350AST (DA) #1	4800-PART	\$2,327.00
RK10-350ASTCK2	REPAIR KIT, CHECK ASSY, 10" 375AST -OR- 350AST #2	4800-PART	\$2,327.00
RK212-350ASTCK2	REPAIR KIT, CHECK ASSY, 2-1/2" 375AST -OR- 350AST #2	4800-PART	\$737.00
BRK6-SSLBF-SEAT2RTNR	BULK REPAIR KIT (12 PCS), SEAT RETAINER #2 6" 350AST/375AST	4800-PART	\$1,436.00
BVMS	BALL VALVE MONITOR SWITCH, LARGE OR SMALL, POTTER ITEM 1000065	4800-OMWS	\$1,120.00
10-350ASTDA	Double Check Detector Assy, SS Grooved Body, Flanged OSY x Flanged OSY	4800-OLBF	\$56,130.00
10-350ASTDABF	Flanged BF x Flanged BF	4800-OLBF	\$63,767.00
10-350ASTDABG	Double Check Detector Assy, SS Grooved Body, Grooved BFLY x Grooved BFLY	4800-OLBF	\$62,649.00
10-350ASTDAFG	10" 350ASTDA W/OSY FLG/GRV	4800-OLBF	\$56,130.00
10-350ASTDAFGRV	10" 350 DCDA SS Body Gal Mtr OSY Gates FLG X GRV Rev. Bypass	4800-OLBF	\$60,507.00
10-350ASTDALMFG	10" 350 DCDA SS Body Less Mtr OSY Gates FLG X GRV	4800-OLBF	\$55,337.00
10-350ASTDAPIOSY	10" 350 DCDA SS Body Gal Mtr Post Ind X OSY FLG X FLG	4800-OLBF	\$51,634.00

10-350ASTDAPIOSYRV	10" 350 DCDA SS Body Gal Mtr Post Ind X OSY FLG X FLG Rev Bypass	4800-OLBF	\$51,634.00
10-350ASTDARCFMBG-A	10" 350 DCDA SS Body W/spool CU Ft Mtr Bfly GRV X GRV	4800-OLBF	\$63,329.00
10-350ASTDARLM-A	10" 350 DCDA SS Body W/spool Less Mtr OSY Gates FLG X FLG	4800-OLBF	\$56,017.00
10-350ASTDARV	10" 350 DCDA SS Body Gal Mtr OSY Gates FLG X FLG Rev. Bypass	4800-OLBF	\$56,450.00
10-350ASTDAST	Double Check Detector Assy, SS Grooved Body, Flanged OSY x Flanged OSY, SS Trim	4800-OLBF	\$49,702.00
212-350ASTDA	Double Check Detector Assy, SS Grooved Body, Flanged OSY x Flanged OSY	4800-OLBF	\$11,985.00
212-350ASTDABF	212" 350 DCDA SS BODY GAL MTR BFLY FLG X FLG	4800-OLBF	\$13,144.00
212-350ASTDABG	Double Check Detector Assy, SS Grooved Body, Grooved BFLY x Grooved BFLY	4800-OLBF	\$12,803.00
212-350ASTDACFM	Double Check Detector Assy, SS Grooved Body, Flanged OSY x Flanged OSY, CFM Meter	4800-OLBF	\$11,985.00
212-350ASTDAFMSYPI	2-1/2" 350 DCDA SS Body CU Ft Mtr OSY X Post Ind FLG X FLG	4800-OLBF	\$11,985.00
212-350ASTDAFG	Double Check Detector Assy, SS Grooved Body, Flanged OSY x Grooved OSY	4800-OLBF	\$11,985.00
212-350ASTDALM	Double Check Detector Assy, SS Grooved Body, Flanged OSY x Flanged OSY, Less Meter	4800-OLBF	\$11,188.00
212-350ASTDALMBFG	2-1/2" 350 DCDA SS Body Less Mtr Bfly FLG X GRV	4800-OLBF	\$12,014.00
212-350ASTDALMRVBG	2-1/2" 350 DCDA SS Body Less Mtr Rvrs DA Side Bfly GRV X GRV	4800-OLBF	\$12,014.00
212-350ASTDAPIBFG	2-1/2" 350ASTDA PIXBG FXG	4800-OLBF	\$14,857.00
212-350ASTDAPIOSY	Double Check Detector Assy, SS Grooved Body, Flanged PI x Flanged OSY	4800-OLBF	\$11,985.00
212-350ASTDAST	2-1/2" 350 DCDA SS Body Gal Mtr OSY Gates SS Hardware FLG X FLG	4800-OLBF	\$13,503.00
212-350ASTFG	2-1/2" 350 DC SS Body NRS Gates FLG X GRV	4800-OLBF	\$8,867.00
3-350ASTDA	Double Check Detector Assy, SS Grooved Body, Flanged OSY x Flanged OSY	4800-OLBF	\$13,591.00
3-350ASTDABF	3" 350 DCDA SS BODY GAL MTR BFLY FLG X FLG	4800-OLBF	\$15,427.00
3-350ASTDABFG	3" 350 DCDA SS Body Gal Mtr Bfly FLG X GRV	4800-OLBF	\$14,818.00
3-350ASTDABG	Double Check Detector Assy, SS Grooved Body, Grooved BFLY x Grooved BFLY	4800-OLBF	\$14,818.00
3-350ASTDACFM	Double Check Detector Assy, SS Grooved Body, Flanged OSY x Flanged OSY, CFM Meter	4800-OLBF	\$13,591.00
3-350ASTDAFG	Double Check Detector Assy, SS Grooved Body, Flanged OSY x Grooved OSY	4800-OLBF	\$13,591.00
3-350ASTDALM	Double Check Detector Assy, SS Grooved Body, Flanged OSY x Flanged OSY, Less Meter	4800-OLBF	\$12,801.00
3-350ASTDALMBG	3" 350 DCDA SS BODY LESS MTR BFLY GRV X GRV	4800-OLBF	\$14,022.00
3-350ASTDALMNYC	3" 350ASTDA L/MTR NYC	4800-OLBF	\$12,801.00
3-350ASTDAPIOSY	Double Check Detector Assy, SS Grooved Body, Flanged PI x Flanged OSY	4800-OLBF	\$13,591.00
3-350ASTDAST	Double Check Detector Assy, SS Grooved Body, Flanged OSY x Flanged OSY, SS Trim	4800-OLBF	\$12,279.00
4-350ASTDA	Double Check Detector Assy, SS Grooved Body, Flanged OSY x Flanged OSY	4800-OLBF	\$14,168.00
4-350ASTDABF	4" 350 DCDA SS BODY GAL MTR BFLY FLG X FLG	4800-OLBF	\$16,268.00
4-350ASTDABFG	4" 350 DCDA SS BODY GAL MTR BFLY FLG X GRV	4800-OLBF	\$15,937.00
4-350ASTDABG	Double Check Detector Assy, SS Grooved Body, Grooved BFLY x Grooved BFLY	4800-OLBF	\$15,601.00
4-350ASTDABGRV	4" 350 DCDA SS Body Gal Mtr Bfly Grv X Grv By-Pass on right side	4800-OLBF	\$15,601.00
4-350ASTDACFM	Double Check Detector Assy, SS Grooved Body, Flanged OSY x Flanged OSY, CFM Meter	4800-OLBF	\$14,168.00
4-350ASTDACFMBG	Double Check Detector Assy, SS Grooved Body, Grooved BFLY x Grooved BFLY, CFM Meter	4800-OLBF	\$15,601.00
4-350ASTDACFMBPIG	4" 350 DCDA SS Body CU Ft Mtr Bfly X Post Ind GRV X GRV	4800-OLBF	\$20,590.00
4-350ASTDACFMRV	4" 350 DCDA SS Body CU Ft Mtr Rvrs DA Side OSY Gates FLG X FLG	4800-OLBF	\$14,168.00
4-350ASTDAFG	Double Check Detector Assy, SS Grooved Body, Flanged OSY x Grooved OSY	4800-OLBF	\$14,168.00
4-350ASTDAG	4" 350ASTDA SS W/OSY GXG GV LF	4800-OLBF	\$14,168.00
4-350ASTDALBS-RPCK	4" DCDA SS Body Less Shutoff GRV x GRV bs grooves w/ RP #1 Check	4800-OLBF	\$10,793.00
4-350ASTDALM	Double Check Detector Assy, SS Grooved Body, Flanged OSY x Flanged OSY, Less Meter	4800-OLBF	\$13,377.00
4-350ASTDALMRV	4" 350 DCDA SS Body Less Mtr Rvrs DA Side OSY Gates FLG X FLG	4800-OLBF	\$13,377.00
4-350ASTDALMRVBG	4" 350 DCDA SS Body Less Mtr Rvrs DA Side Butterfly Viv GXG	4800-OLBF	\$14,805.00
4-350ASTDAOSYBFG	Flanged OSY x Grooved BG	4800-OLBF	\$15,937.00
4-350ASTDAPI	Flanged PI x Flanged PI	4800-OLBF	\$14,169.00
4-350ASTDAPIBG	4" 350 DCDA SS Body Gal Mtr Post Ind X Bfly GRV X GRV	4800-OLBF	\$20,590.00
4-350ASTDAPIOSY	Double Check Detector Assy, SS Grooved Body, Flanged PI x Flanged OSY	4800-OLBF	\$14,168.00
4-350ASTDAPIOSYRV	4" 350 DCDA SS Body Gal Mtr Post Ind X OSY FLG X FLG By-pass on right side	4800-OLBF	\$14,168.00
4-350ASTDAST	Double Check Detector Assy, SS Grooved Body, Flanged OSY x Flanged OSY, SS Trim	4800-OLBF	\$15,031.00
6-350ASTDA	Double Check Detector Assy, SS Grooved Body, Flanged OSY x Flanged OSY	4800-OLBF	\$20,905.00
6-350ASTDABF	6" 350 DCDA SS BODY GAL MTR BFLY FLG X FLG	4800-OLBF	\$23,891.00
6-350ASTDABG	Double Check Detector Assy, SS Grooved Body, Grooved BFLY x Grooved BFLY	4800-OLBF	\$23,020.00
6-350ASTDACFM	Double Check Detector Assy, SS Grooved Body, Flanged OSY x Flanged OSY, CFM Meter	4800-OLBF	\$20,905.00
6-350ASTDACFMBG	Double Check Detector Assy, SS Grooved Body, Grooved BFLY x Grooved BFLY, CFM Meter	4800-OLBF	\$23,020.00
6-350ASTDAFG	Double Check Detector Assy, SS Grooved Body, Flanged OSY x Grooved OSY	4800-OLBF	\$20,905.00
6-350ASTDAG	6" 350ASTDA SS W/OSY GXG GV LF	4800-OLBF	\$20,905.00
6-350ASTDALBS-RPCK	6" DCDA SS Body Less Shutoff GRV x GRV bs grooves w/ RP #1 Check	4800-OLBF	\$16,699.00
6-350ASTDALM	Double Check Detector Assy, SS Grooved Body, Flanged OSY x Flanged OSY, Less Meter	4800-OLBF	\$20,116.00
6-350ASTDALMNYC	6" 350ASTDA L/MTR NYC	4800-OLBF	\$20,116.00

6-350ASTDALMNYCBF	6" 350 DCDA SS BODY LESS MTR NYC BFLY FLG X FLG	4800-OLBF	\$29,210.00
6-350ASTDALMNYCG	6" 350 DCDA SS Body Less Mtr NYC OSY Gates GRV X GRV	4800-OLBF	\$26,202.00
6-350ASTDAPIOSY	Double Check Detector Assy, SS Grooved Body, Flanged PI x Flanged OSY	4800-OLBF	\$20,905.00
6-350ASTDAST	Double Check Detector Assy, SS Grooved Body, Flanged OSY x Flanged OSY, SS Trim	4800-OLBF	\$21,787.00
8-350ASTDA	Double Check Detector Assy, SS Grooved Body, Flanged OSY x Flanged OSY	4800-OLBF	\$36,784.00
8-350ASTDABF	Flanged BF x Flanged BF	4800-OLBF	\$41,442.00
8-350ASTDABFG	8" 350 DCDA SS BODY BFLY FLG X GRV	4800-OLBF	\$40,973.00
8-350ASTDABG	Double Check Detector Assy, SS Grooved Body, Grooved BFLY x Grooved BFLY	4800-OLBF	\$40,501.00
8-350ASTDABGRV	350 DCDA SS Body Gal Mtr Bfly Grv X Grv By-pass on right side	4800-OLBF	\$37,584.00
8-350ASTDABPIG	8" 350 DCDA SS Body Gal Mtr Bfly X Post Ind GRV X GRV	4800-OLBF	\$39,114.00
8-350ASTDACFM	8" ASTDA W/CFM MTR	4800-OLBF	\$36,784.00
8-350ASTDACFMBF	8" 350 DCDA SS BODY CU FT MTR BFLY FLG X FLG	4800-OLBF	\$41,442.00
8-350ASTDACFMFG	8" 350DCDA SS BODY CU FT MTR W/OSY FLG/GRV	4800-OLBF	\$36,784.00
8-350ASTDACFMG	8" 350 DCDA SS BODY CU FT MTR GRV X GRV	4800-OLBF	\$36,784.00
8-350ASTDAFG	8" 350ASTDA W/OSY FLG/GRV	4800-OLBF	\$36,784.00
8-350ASTDAOSYBFG	Flanged OSY x Grooved BG	4800-OLBF	\$39,006.00
8-350ASTDAPI	Flanged PI x Flanged PI	4800-OLBF	\$36,784.00
8-350ASTDAPIBF	8" 350 DCDA SS Body Gal Mtr Post Ind X Btfly FLG X FLG	4800-OLBF	\$38,667.00
8-350ASTDAPIOSY	8" 350ASTDA PI FXG/OSY GXF	4800-OLBF	\$36,784.00
8-350ASTDAST	Double Check Detector Assy, SS Grooved Body, Flanged OSY x Flanged OSY, SS Trim	4800-OLBF	\$36,741.00
8-350ASTFSCOSY	8" 350 DC SS Body Flg Strnr Epoxy Coat OSY Gates FLG X FLG	4800-OLBF	\$43,089.00
RK212-350ASTDA-BP-LM	REPAIR KIT, BY-PASS ASSY. 2-1/2" - 4" 350ASTDA LESS METER	4800-PART	\$1,305.00
RK212-350ASTDACK2	REPAIR KIT, CHECK ASSY, 2-1/2" 375ASTDA -OR- 350ASTDA #2	4800-PART	\$737.00
4-350ASTDABPIG	4" 350 DCDA SS Body Gal Mtr Bfly X Post Ind GRV X GRV	4800-OLBF	\$15,221.00
10-350ASTDACFM	10" 350 DCDA SS Body CU Ft Mtr OSY Gates FLG X FLG	4800-OLBF	\$56,130.00
10-350ASTDACFMBF	10" 350 DCDA SS Body CU Ft Mtr Bfly FLG X FLG	4800-OLBF	\$66,591.00
10-350ASTDACFMFG	10" 350 DCDA SS Body CU Ft Mtr Bfly GRV X GRV	4800-OLBF	\$62,649.00
10-350ASTDACFMG	10" 350 DCDA SS Body CU Ft Mtr OSY Gates GRV X GRV	4800-OLBF	\$56,130.00
10-350ASTDACFMOSYPI	10" 350 DCDA SS BODY CU FT MTR OSY X POST IND FLG X FLG	4800-OLBF	\$51,634.00
10-350ASTDACFMRV	10" 350 DCDA SS Body CU Ft Mtr Rvrs DA Side OSY Gates FLG X FLG	4800-OLBF	\$56,636.00
8-350ASTDALM	8" 350 DCDA SS Body Less Mtr OSY Gates FLG X FLG	4800-OLBF	\$35,998.00
6-350ASTDAOSYPI	6" 350 DCDA SS Body Gal Mtr OSY X Post Ind FLG X FLG	4800-OLBF	\$20,905.00
8-350ASTDAOSYPI	8" 350 DCDA SS Body Gal Mtr OSY X Post Ind FLG X FLG	4800-OLBF	\$36,784.00
3-350ASTDARCFM-A	3" 350 DCDA SS Body W/spool CU Ft Mtr OSY Gates FLG X FLG	4800-OLBF	\$14,135.00
3-350ASTDARLM-A	3" 350ASTDA W/SPL A L/MTR NO APR	4800-OLBF	\$13,345.00
4-350ASTDAR-P	4" 350ASTDA W/GRV SPL A NO APPROVAL	4800-OLBF	\$14,712.00
4-350ASTDARCFMRV-A	4" 350 DCDA SS Body W/spool CU Ft Mtr Rvrs DA Side OSY Gates FLG X FLG	4800-OLBF	\$14,712.00
6-350ASTDAR-A	6" 350ASTDA W/GRV SPOOL A	4800-OLBF	\$21,450.00
6-350ASTDARBG-A	6" 350 DCDA SS Body W/spool Gal Mtr Bfly GRV X GRV	4800-OLBF	\$23,564.00
6-350ASTDARCFMBF A	6" 350 DCDA SS Body W/spool CU Ft Mtr Bfly FLG X FLG	4800-OLBF	\$24,436.00
6-350ASTDARCFMRV-A	6" 350 DCDA SS Body W/spool CU Ft Mtr OSY Gates FLG X FLG Rev By-Pass	4800-OLBF	\$21,450.00
8-350ASTDARCFMBF A	8" 350 DCDA SS BODY W/SPOOL CU FT MTR BFLY FLG X FLG	4800-OLBF	\$42,122.00
8-350ASTDARG-A	8" 350 DCDA SS Body W/spool Gal Mtr OSY Gates GRV X GRV	4800-OLBF	\$37,464.00
10-350ASTDAR A	10" 350 DCDA SS Body W/spool Gal Mtr OSY Gates FLG X FLG	4800-OLBF	\$56,811.00
10-350ASTDARB-F	10" 350 DCDA SS Body W/spool Gal Mtr BFLY Gates FLG X FLG	4800-OLBF	\$64,447.00
10-350ASTDARB-G	10" 350 DCDA SS Body W/spool Gal Mtr Bfly Gates GRV X GRV	4800-OLBF	\$63,329.00
8-350ASTDAR-A	8" 350 DCDA SS Body W/spool Gal Mtr OSY Gates FLG X FLG	4800-OLBF	\$37,464.00
4-350ASTDARCFM-A	4" 350 DCDA SS Body W/spool CU Ft Mtr OSY Gates FLG X FLG	4800-OLBF	\$14,712.00
6-350ASTDARCFM-A	6" 350 DCDA SS Body W/spool CU Ft Mtr OSY Gates FLG X FLG	4800-OLBF	\$21,450.00
8-350ASTDARCFM-A	8" 350 DCDA SS Body W/spool CU Ft Mtr OSY Gates FLG X FLG	4800-OLBF	\$37,464.00
4-350ASTLBS	4" 350 DC SS Body Less Shutoff Grv x Grv BS grooves	4800-OLBF	\$10,139.00
8-350ASTOSYG	8" 350 DC SS Body OSY Gates GRV X GRV	4800-OLBF	\$34,598.00
212-350ASTR A	2-1/2" 350AST W/GRV SPOOL A	4800-OLBF	\$9,412.00
212-350ASTROSY-A	2-1/2" 350ASTSY W/GRV SPOOL A LEAD FREE	4800-OLBF	\$10,442.00
3-350ASTR-A	3" 350A W/GRV SPOOL A LEAD FREE	4800-OLBF	\$9,731.00
3-350ASTRBG-A	3" 350ASTBFLY W/GRV SPOOL A3" 350ASTBFLYWGRV/SPO	4800-OLBF	\$10,524.00
4-350ASTR A	4" 350AST W/GRV SPOOL A	4800-OLBF	\$12,531.00
4-350ASTROSY-A	4" 350ASTOSY W/GRV SPOOL A	4800-OLBF	\$12,373.00
6-350ASTRBNRSFG-A	6" 350 DC SS Body W/ spool Bfly Inlet x NRS Outlet FLG X GRV	4800-OLBF	\$27,188.00
6-350ASTROSY-A	6" 350 DC SS BODY W/SPOOL OSY GATES	4800-OLBF	\$18,495.00
8-350ASTROSY-A	8" 350ASTOSY W/GRV SPOOL A	4800-OLBF	\$35,278.00
8-350ASTROSYGF-A	8" 350 DC SS Body W/spool OSY Gates GRV X FLG	4800-OLBF	\$35,278.00
10-350DA	Double Check Detector Assy, Flanged Body, Flanged OSY x Flanged OSY	4800-OLBF	\$56,130.00
10-350DACFM	Double Check Detector Assy, Flanged Body, Flanged OSY x Flanged OSY, CFM Meter	4800-OLBF	\$56,130.00
10-350DACFMFG	Double Check Detector Assy, Flanged Body, Flanged OSY x Grooved OSY, CFM Meter	4800-OLBF	\$56,130.00
10-350DACFMG	Double Check Detector Assy, Flanged Body, Grooved OSY x Grooved OSY, CFM Meter	4800-OLBF	\$56,130.00
10-350DAFG	Double Check Detector Assy, Flanged Body, Flanged OSY x Grooved OSY	4800-OLBF	\$56,130.00
10-350DAG	Double Check Detector Assy, Flanged Body, Grooved OSY x Grooved OSY	4800-OLBF	\$56,130.00
10-350DAL	Double Check Detector Assy, Flanged Body, Flanged x Flanged, Less Gate Valves	4800-OLBF	\$39,587.00
10-350DALBSE-RPCK	10" 350DALBSE, L/BYPASS/GV, W/RP #1 CHECK, AUSTRALIA	4800-OLBF	\$17,892.00
10-350DALLMNYC	10" 350DA L/GV L/MTR NYC	4800-OLBF	\$43,669.00
10-350DALM	Double Check Detector Assy, Flanged Body, Flanged OSY x Flanged OSY, Less Meter	4800-OLBF	\$55,339.00

10-350DALMNYC	10" 350DA L/MTR NEW YORK	4800-OLBF	\$55,339.00
10-350DAOSYPI	10-350DAOSYPI10-350DAOSYPI	4800-OLBF	\$56,130.00
10-350DAPI	10" 350DA W/ PI / PI GV10" 350DAW/PIPIGV	4800-OLBF	\$56,130.00
10-350DAPIOSY	Double Check Detector Assy, Flanged Body, Flanged PI x Flanged OSY	4800-OLBF	\$56,130.00
10-350DARH	10" 350DA W/RIGHT HAND GV	4800-OLBF	\$49,195.00
10-350DARHCFM	10" 350 DCDA DI Body CFM Mtr OSY Gates Rht Hand GV FLG X FLG	4800-OLBF	\$49,195.00
10-350DASB	Double Check Detector Assy, Flanged Body, Flanged OSY x Flanged OSY, Stainless Steel Bolts	4800-OLBF	\$71,917.00
12IN-350DA	Double Check Detector Assy, Flanged Body, Flanged OSY x Flanged OSY	4800-OLBF	\$90,440.00
12IN-350DACFM	Double Check Detector Assy, Flanged Body, Flanged OSY x Flanged OSY, CFM Meter	4800-OLBF	\$90,440.00
12IN-350DAL	Double Check Detector Assy, Flanged Body, Flanged x Flanged, Less Gate Valves	4800-OLBF	\$55,901.00
12IN-350DALM	Double Check Detector Assy, Flanged Body, Flanged OSY x Flanged OSY, Less Meter	4800-OLBF	\$89,652.00
12IN-350DALMNYC	12" 350 DCDA DI Body Less Mtr NYC OSY Gates FLG X FLG	4800-OLBF	\$89,652.00
12IN-350DALST	12" 350DA L/GV W/SS TRIM	4800-OLBF	\$58,650.00
12IN-350DAOSYPI	Double Check Detector Assy, Flanged Body, Flanged OSY x Flanged PI	4800-OLBF	\$90,440.00
12IN-350DARHCFM	12" 350 DCDA DI Body CFM Mtr OSY Gates Rht Hand GV FLG X FLG	4800-OLBF	\$90,440.00
12IN-350DARV	12IN 350 DCDA DI Body Gal Mtr Rvrs DA Side OSY Gates FLG X FLG	4800-OLBF	\$90,440.00
12IN-350DAST	12IN 350 DCDA DI Body Gal Mtr SS Hardware FLG X FLG	4800-OLBF	\$90,220.00
212-350DA	Double Check Detector Assy, Flanged Body, Flanged OSY x Flanged OSY	4800-OLBF	\$11,985.00
212-350DACFM	Double Check Detector Assy, Flanged Body, Grooved OSY x Grooved OSY, CFM Meter	4800-OLBF	\$11,985.00
212-350DACFMFG	Double Check Detector Assy, Flanged Body, Flanged OSY x Grooved OSY, CFM Meter	4800-OLBF	\$11,985.00
212-350DACFMG	Double Check Detector Assy, Flanged Body, Flanged OSY x Grooved OSY, CFM Meter	4800-OLBF	\$11,985.00
212-350DAFG	Double Check Detector Assy, Flanged Body, Flanged OSY x Grooved OSY	4800-OLBF	\$11,985.00
212-350DAG	Double Check Detector Assy, Flanged Body, Grooved OSY x Grooved OSY	4800-OLBF	\$11,985.00
212-350DAGF	Double Check Detector Assy, Flanged Body, Grooved OSY x Flanged OSY	4800-OLBF	\$11,985.00
212-350DAL	Double Check Detector Assy, Flanged Body, Flanged x Flanged, Less Gate Valves	4800-OLBF	\$7,592.00
212-350DALCFM	Double Check Detector Assy, Flanged Body, Flanged x Flanged, CFM Meter, Less Gate Valves	4800-OLBF	\$7,592.00
212-350DALLM	Double Check Detector Assy, Flanged Body, Flanged x Flanged, Less Meter, Less Gate Valves	4800-OLBF	\$8,033.00
212-350DALLMNYC	2-1/2" 350DA L/GV L/MTR NYC	4800-OLBF	\$7,284.00
212-350DALM	Double Check Detector Assy, Flanged Body, Flanged OSY x Flanged OSY, Less Meter	4800-OLBF	\$11,188.00
212-350DALMG	Double Check Detector Assy, Flanged Body, Flanged OSY x Grooved OSY, Less Meter	4800-OLBF	\$11,188.00
212-350DALMNYC	2 1/2" 350DA L/MTR NEW NY	4800-OLBF	\$11,188.00
2-350DA	Double Check Detector Assy, Flanged 2 1/2" Body, FNPT OSY x FNPT OSY	4800-OSBF	\$15,707.00
2-350DACFM	Double Check Detector Assy, Flanged 2 1/2" Body, FNPT OSY x FNPT OSY, CFM Meter	4800-OSBF	\$15,707.00
2-350DAL	Double Check Detector Assy, Flanged 2 1/2" Body, Flanged x Flanged, Less Gate Valves	4800-OSBF	\$10,570.00
2-350DALM	Double Check Detector Assy, Flanged 2 1/2" Body, FNPT OSY x FNPT OSY, Less Meter	4800-OSBF	\$14,681.00
3-350DA	Double Check Detector Assy, Flanged Body, Flanged OSY x Flanged OSY	4800-OLBF	\$13,591.00
3-350DACFM	Double Check Detector Assy, Flanged Body, Flanged OSY x Flanged OSY, CFM Meter	4800-OLBF	\$13,591.00
3-350DACFMFG	Double Check Detector Assy, Flanged Body, Flanged OSY x Grooved OSY, CFM Meter	4800-OLBF	\$13,591.00
3-350DACFMG	Double Check Detector Assy, Flanged Body, Grooved OSY x Grooved OSY, CFM Meter	4800-OLBF	\$13,591.00
3-350DAFG	Double Check Detector Assy, Flanged Body, Flanged OSY x Grooved OSY	4800-OLBF	\$13,591.00
3-350DAG	Double Check Detector Assy, Flanged Body, Grooved OSY x Grooved OSY	4800-OLBF	\$13,591.00
3-350DAGF	Double Check Detector Assy, Flanged Body, Grooved OSY x Flanged OSY	4800-OLBF	\$13,591.00
3-350DAL	Double Check Detector Assy, Flanged Body, Flanged x Flanged, Less Gate Valves	4800-OLBF	\$8,225.00
3-350DALCFM	Double Check Detector Assy, Flanged Body, Flanged x Flanged, CFM Meter, Less Gate Valves	4800-OLBF	\$8,225.00
3-350DALLM	Double Check Detector Assy, Flanged Body, Flanged x Flanged, Less Meter, Less Gate Valves	4800-OLBF	\$8,036.00
3-350DALLMNYC	Double Check Detector Assy, Flanged Body, Flanged x Flanged, Less Meter, Less Gate Valves, NYC Config	4800-OLBF	\$7,302.00
3-350DALM	Double Check Detector Assy, Flanged Body, Flanged OSY x Flanged OSY, Less Meter	4800-OLBF	\$12,801.00
3-350DALMG	Double Check Detector Assy, Flanged Body, Grooved OSY x Grooved OSY, Less Meter	4800-OLBF	\$12,801.00
3-350DALMNYC	Double Check Detector Assy, Flanged Body, Flanged OSY x Flanged OSY, Less Meter, NYC Config	4800-OLBF	\$12,801.00
3-350DALPN16	3" 350 DCDA LESS SHUTOFF PN16 FLG	4800-OLBF	\$8,568.00
3-350DAOSYPI	3" 350DA W/OSY IN PI OUT3" 350DAWOSYINPIOUT	4800-OLBF	\$13,591.00
3-350DAOSYPIG	Double Check Detector Assy, Flanged Body, Grooved OSY x Grooved PI	4800-OLBF	\$13,591.00
3-350DAPIG	3" 350 DCDA DI Body Gal Mtr Post Indctr GRV X GRV	4800-OLBF	\$13,591.00
3-350DARH	Double Check Detector Assy, Flanged Body, Flanged OSY x Flanged OSY, Right Hand GV	4800-OLBF	\$11,057.00
3-350DARHCFM	3" 350 DCDA DI Body CFM Mtr OSY Gates Rht Hand GV FLG X FLG	4800-OLBF	\$11,057.00
3-350DASB	3" 350DA W/SS FLANGE BOLTS3" 350DAWSSFLANGEBOLT	4800-OLBF	\$19,493.00
4-350DA	Double Check Detector Assy, Flanged Body, Flanged OSY x Flanged OSY	4800-OLBF	\$14,168.00

4-350DABG	4" 350 DCDA DI Body Gal Mtr Bfly GRV X GRV	4800-OLBF	\$16,095.00
4-350DACFM	Double Check Detector Assy, Flanged Body, Flanged OSY x Flanged OSY, CFM Meter	4800-OLBF	\$14,168.00
4-350DACFMFG	Double Check Detector Assy, Flanged Body, Flanged OSY x Grooved OSY, CFM Meter	4800-OLBF	\$14,168.00
4-350DACFMG	Double Check Detector Assy, Flanged Body, Grooved OSY x Grooved OSY, CFM Meter	4800-OLBF	\$14,168.00
4-350DAFG	Double Check Detector Assy, Flanged Body, Flanged OSY x Grooved OSY	4800-OLBF	\$14,168.00
4-350DAG	Double Check Detector Assy, Flanged Body, Grooved OSY x Grooved OSY	4800-OLBF	\$14,168.00
4-350DAGF	Double Check Detector Assy, Flanged Body, Grooved OSY x Flanged OSY	4800-OLBF	\$14,168.00
4-350DAL	Double Check Detector Assy, Flanged Body, Flanged x Flanged, Less Gate Valves	4800-OLBF	\$9,595.00
4-350DALBSE-RPCK	4" 350DALBSE, L/BYPASS/GV, W/RP #1 CHECK, AUSTRALIA	4800-OLBF	\$5,952.00
4-350DALCFM	Double Check Detector Assy, Flanged Body, Flanged x Flanged, CFM Meter, Less Gate Valves	4800-OLBF	\$9,595.00
4-350DALLM	Double Check Detector Assy, Flanged Body, Flanged x Flanged, Less Meter, Less Gate Valves	4800-OLBF	\$11,869.00
4-350DALLMBS	4" 350DALLM W/BS10 D FLG ENDS4"350DALLMWBS10DFLGE	4800-OLBF	\$12,828.00
4-350DALLMBS	4" 350DALLM W/BS10 E FLG ENDS4"350DALLMWBS10EFLGE	4800-OLBF	\$14,420.00
4-350DALLMNYC	Double Check Detector Assy, Flanged Body, Flanged x Flanged, Less Meter, Less Gate Valves, NYC Config	4800-OLBF	\$11,474.00
4-350DALM	Double Check Detector Assy, Flanged Body, Flanged OSY x Flanged OSY, Less Meter	4800-OLBF	\$13,377.00
4-350DALMFG	Double Check Detector Assy, Flanged Body, Flanged OSY x Grooved OSY, Less Meter	4800-OLBF	\$13,377.00
4-350DALMG	Double Check Detector Assy, Flanged Body, Grooved OSY x Grooved OSY, Less Meter	4800-OLBF	\$13,377.00
4-350DALMGF	Double Check Detector Assy, Flanged Body, Grooved OSY x Flanged OSY, Less Meter	4800-OLBF	\$13,377.00
4-350DALMNYC	4"350DA W/OSY GV L/MTR NY	4800-OLBF	\$13,377.00
4-350DALMOSYPYG	Double Check Detector Assy, Flanged Body, Grooved OSY x Grooved PI, Less Meter	4800-OLBF	\$13,377.00
4-350DALPN16	4" 350 DCDA LESS SHUTOFF PN16 FLG	4800-OLBF	\$12,983.00
4-350DAOSYPI	Double Check Detector Assy, Flanged Body, Flanged OSY x Flanged PI	4800-OLBF	\$14,168.00
4-350DAOSYPIFG	Double Check Detector Assy, Flanged Body, Flanged OSY x Grooved PI	4800-OLBF	\$14,168.00
4-350DAOSYPIG	Double Check Detector Assy, Flanged Body, Grooved OSY x Grooved PI	4800-OLBF	\$14,168.00
4-350DAPIOSY	Double Check Detector Assy, Flanged Body, Flanged PI x Flanged OSY	4800-OLBF	\$14,168.00
4-350DAPIOSYFG	Double Check Detector Assy, Flanged Body, Flanged PI x Grooved OSY	4800-OLBF	\$14,168.00
4-350DAPIOSYG	Double Check Detector Assy, Flanged Body, Flanged PI x Grooved OSY	4800-OLBF	\$14,168.00
4-350DARH	4"350DA W/RT HND GATE VLV	4800-OLBF	\$13,244.00
4-350DARHCFM	4" 350 DCDA DI Body CFM Mtr OSY Gates Rht Hand GV FLG X FLG	4800-OLBF	\$13,244.00
4-350DASB	4" 350DA W/ SS FLG BLT	4800-OLBF	\$19,201.00
6-350DA	Double Check Detector Assy, Flanged Body, Flanged OSY x Flanged OSY	4800-OLBF	\$20,905.00
6-350DACFM	Double Check Detector Assy, Flanged Body, Flanged OSY x Flanged OSY, CFM Meter	4800-OLBF	\$20,905.00
6-350DACFMFG	Double Check Detector Assy, Flanged Body, Flanged OSY x Grooved OSY, CFM Meter	4800-OLBF	\$20,905.00
6-350DACFMG	Double Check Detector Assy, Flanged Body, Grooved OSY x Grooved OSY, CFM Meter	4800-OLBF	\$20,905.00
6-350DAFG	Double Check Detector Assy, Flanged Body, Flanged OSY x Grooved OSY	4800-OLBF	\$20,905.00
6-350DAG	Double Check Detector Assy, Flanged Body, Grooved OSY x Grooved OSY	4800-OLBF	\$20,905.00
6-350DAGF	Double Check Detector Assy, Flanged Body, Grooved OSY x Flanged OSY	4800-OLBF	\$20,905.00
6-350DAL	Double Check Detector Assy, Flanged Body, Flanged x Flanged, Less Gate Valves	4800-OLBF	\$14,350.00
6-350DALBSE-RPCK	6" 350DALBSE, L/BYPASS/GV, W/RP #1 CHECK, AUSTRALIA	4800-OLBF	\$12,774.00
6-350DALCFM	6"350DAL W/CFM METER	4800-OLBF	\$14,350.00
6-350DALLM	Double Check Detector Assy, Flanged Body, Flanged x Flanged, Less Meter, Less Gate Valves	4800-OLBF	\$17,736.00
6-350DALLMNYC	Double Check Detector Assy, Flanged Body, Flanged x Flanged, Less Meter, Less GV, NYC Config	4800-OLBF	\$16,653.00
6-350DALM	Double Check Detector Assy, Flanged Body, Flanged OSY x Flanged OSY, Less Meter	4800-OLBF	\$20,116.00
6-350DALMFG	Double Check Detector Assy, Flanged Body, Flanged OSY x Grooved OSY, Less Meter	4800-OLBF	\$20,116.00
6-350DALMG	Double Check Detector Assy, Flanged Body, Grooved OSY x Grooved OSY, Less Meter	4800-OLBF	\$20,116.00
6-350DALMNYC	Double Check Detector Assy, Flanged Body, Flanged OSY x Flanged OSY, Less Meter, NYC Config	4800-OLBF	\$20,116.00
6-350DALPN16	6" 350 DCDA LESS SHUTOFF PN16 FLG	4800-OLBF	\$17,768.00
6-350DAOSYPI	Double Check Detector Assy, Flanged Body, Flanged OSY x Flanged PI	4800-OLBF	\$20,905.00
6-350DAOSYPIFG	Double Check Detector Assy, Flanged Body, Flanged OSY x Grooved PI	4800-OLBF	\$20,905.00
6-350DAOSYPIG	Double Check Detector Assy, Flanged Body, Grooved OSY x Grooved PI	4800-OLBF	\$20,905.00
6-350DAPIG	6" 350 DCDA POST IND X POST IND GRV X GRV	4800-OLBF	\$20,905.00
6-350DAPIOSY	Double Check Detector Assy, Flanged Body, Flanged PI x Flanged OSY	4800-OLBF	\$20,905.00
6-350DAPIOSYG	Double Check Detector Assy, Flanged Body, Flanged PI x Grooved OSY	4800-OLBF	\$20,905.00
6-350DARH	6"350DA W/RT HND GATE VLV	4800-OLBF	\$19,543.00
6-350DARHCFM	6" 350 DCDA DI Body CFM Mtr OSY Gates Rht Hand GV FLG X FLG	4800-OLBF	\$19,543.00
6-350DARV	6" 350 DCDA DI Body Gal Mtr OSY Gates FLG X FLG Reverse	4800-OLBF	\$20,905.00
6-350DASB	6" 350DA W/ SS FLG BLT	4800-OLBF	\$26,999.00
6-350DASBSH	6" 350DA W/SS BOLT & BV HANDLE	4800-OLBF	\$31,372.00

8-350DA	Double Check Detector Assy, Flanged Body, Flanged OSY x Flanged OSY	4800-OLBF	\$36,784.00
8-350DACFM	Double Check Detector Assy, Flanged Body, Flanged OSY x Flanged OSY, CFM Meter	4800-OLBF	\$36,784.00
8-350DACFMFG	Double Check Detector Assy, Flanged Body, Flanged OSY x Grooved OSY, CFM Meter	4800-OLBF	\$36,784.00
8-350DACFMG	Double Check Detector Assy, Flanged Body, Grooved OSY x Grooved OSY, CFM Meter	4800-OLBF	\$36,784.00
8-350DAFG	Double Check Detector Assy, Flanged Body, Flanged OSY x Grooved OSY	4800-OLBF	\$36,784.00
8-350DAG	Double Check Detector Assy, Flanged Body, Grooved OSY x Grooved OSY	4800-OLBF	\$36,784.00
8-350DAL	Double Check Detector Assy, Flanged Body, Flanged x Flanged, Less Gate Valves	4800-OLBF	\$26,250.00
8-350DALBSE-RPCK	8" 350DALBSE, L/BYPASS/GV, W/RP #1 CHECK, AUSTRALIA	4800-OLBF	\$18,897.00
8-350DALCFM	8" 350DA L/GV W/CFM MTR	4800-OLBF	\$26,250.00
8-350DALLM	Double Check Detector Assy, Flanged Body, Flanged x Flanged, Less Meter, Less Gate Valves	4800-OLBF	\$32,252.00
8-350DALLMNYC	8" 350DA LESS GV L/MTRNYC	4800-OLBF	\$32,187.00
8-350DALM	Double Check Detector Assy, Flanged Body, Flanged OSY x Flanged OSY, Less Meter	4800-OLBF	\$35,998.00
8-350DALMFG	Double Check Detector Assy, Flanged Body, Flanged OSY x Grooved OSY, Less Meter	4800-OLBF	\$35,998.00
8-350DALMNYC	Double Check Detector Assy, Flanged Body, Flanged OSY x Flanged OSY, Less Meter, NYC Config	4800-OLBF	\$35,998.00
8-350DAOSYPI	Double Check Detector Assy, Flanged Body, Flanged OSY x Flanged PI	4800-OLBF	\$36,784.00
8-350DA-PE	8" 350DA W/SPCL BY-PASS#350DAW/SPCLBY-PASS	4800-OLBF	\$43,280.00
8-350DAPI	Double Check Detector Assy, Flanged Body, Flanged PI x Flanged PI	4800-OLBF	\$36,784.00
8-350DAPIOSY	Double Check Detector Assy, Flanged Body, Flanged PI x Flanged OSY	4800-OLBF	\$36,784.00
8-350DAPIOSYFG	Double Check Detector Assy, Flanged Body, Flanged PI x Grooved OSY	4800-OLBF	\$36,784.00
8-350DARH	8"350DA W/RT HND GATE VLV	4800-OLBF	\$34,383.00
8-350DARHCFM	8" 350 DCDA DI Body CFM Mtr OSY Gates Rht Hand GV FLG X FLG	4800-OLBF	\$34,383.00
8-350DASB	8" 350DA W/ SS FLG BLT	4800-OLBF	\$49,913.00
RK12IN-350DA-BP-LM	REPAIR KIT, BY-PASS ASSY. 12" 350DA LESS METER	4800-PART	\$1,872.00
RK12IN-350DACK1	REPAIR KIT, CHECK ASSY. 12" 350DA #1	4800-PART	\$2,250.00
RK12IN-350DACK2	REPAIR KIT, CHECK ASSY. 12" 350DA #2	4800-PART	\$2,239.00
RK212-350DA-BP-LM	REPAIR KIT, BY-PASS ASSY. 2-1/2" - 3" 350DA/450DA LESS METER	4800-PART	\$1,809.00
RK4-350DA-BP-LMNYC	REPAIR KIT, BY-PASS ASSY. 4" 350DA LESS METER NYC	4800-PART	\$1,796.00
RK6-350DA-BP-LM	REPAIR KIT, BY-PASS ASSY. 6" 350DA LESS METER	4800-PART	\$1,839.00
RK6-350DA-BP-LMNYC	REPAIR KIT, BY-PASS ASSY. 6" 350DA LESS METER NYC	4800-PART	\$1,814.00
RK212-350DA	Repair Kit - 350DA/450DA Rubber Only, Includes by-pass parts	4800-PART	\$154.00
RK212-350DACK2	REPAIR KIT, CHECK ASSY. 2-1/2"-3" 375DA/475DA -OR- 350DA/450DA #2	4800-PART	\$327.00
RK4-350DA	Repair Kit - 350DA/450DA Rubber Only, Includes by-pass parts	4800-PART	\$356.00
RK4-350DA-BP-LM	REPAIR KIT, BY-PASS ASSY. 4" 350DA LESS METER	4800-PART	\$1,831.00
RK6-350DA	Repair Kit - 350DA/450DA Rubber Only, Includes by-pass parts	4800-PART	\$529.00
RK8-350DA	Repair Kit - 350DA/450DA Rubber Only, Includes by-pass parts	4800-PART	\$572.00
RK8-350DA-BP-LM	REPAIR KIT, BY-PASS ASSY. 8" 350DA LESS METER	4800-PART	\$1,852.00
112-350XL	Double Check Valve Assy, Lead-Free, Composite Vessel, FNPT x FNPT	4800-OSBF	\$2,387.00
112-350XLFT	Double Check Valve Assy, Lead-Free, Composite Vessel, FNPT x FNPT, Fast Test Cocks	4800-OSBF	\$2,387.00
112-350XLS	Double Check Valve Assy, Lead-Free, Composite Vessel, FNPT x FNPT, Strainer	4800-OSBF	\$2,873.00
114-350XL	Double Check Valve Assy, Lead-Free, Composite Vessel, FNPT x FNPT	4800-OSBF	\$2,225.00
114-350XLFT	Double Check Valve Assy, Lead-Free, Composite Vessel, FNPT x FNPT, Fast Test Cocks	4800-OSBF	\$2,225.00
114-350XLFTS	Double Check Valve Assy, Lead-Free, Composite Vessel, FNPT x FNPT, Fast Test Cocks, Strainer	4800-OSBF	\$2,582.00
114-350XLS	Double Check Valve Assy, Lead-Free, Composite Vessel, FNPT x FNPT, Strainer	4800-OSBF	\$2,582.00
12-350XL	3/4" 350 W/ 1/2" PIPE BUSHINGS (LEAD FREE)	4800-OSBF	\$896.00
12-350XLS	1/2" 350XL W/SXL LEAD FREE12"350XLWSXLLEADFREE	4800-OSBF	\$1,302.00
1-350LXL	Double Check Valve Assy, Lead-Free, Composite Vessel, MNPT x MNPT, Less Ball Valves	4800-OSBF	\$682.00
1-350LXLD	1" 350XL L/BV DM	4800-OSBF	\$894.00
1-350LXLDMFT	1" 350XL L/BV DM FAST TEST	4800-OSBF	\$894.00
1-350XL	Double Check Valve Assy, Lead-Free, Composite Vessel, FNPT x FNPT	4800-OSBF	\$918.00
1-350XLFT	Double Check Valve Assy, Lead-Free, Composite Vessel, FNPT x FNPT, Fast Test Cocks	4800-OSBF	\$918.00
1-350XLFTS	Double Check Valve Assy, Lead-Free, Composite Vessel, FNPT x FNPT, Fast Test Cocks, Strainer	4800-OSBF	\$1,165.00
1-350XLS	Double Check Valve Assy, Lead-Free, Composite Vessel, FNPT x FNPT, Strainer	4800-OSBF	\$1,165.00
1-350XLS-ASSY	1" 350XL W/SXL LEAD FREE	4800-OSBF	\$1,509.00
2-350XL	Double Check Valve Assy, Lead-Free, Composite Vessel, FNPT x FNPT	4800-OSBF	\$2,692.00
2-350XLFT	Double Check Valve Assy, Lead-Free, Composite Vessel, FNPT x FNPT, Fast Test Cocks	4800-OSBF	\$2,692.00
2-350XLS	Double Check Valve Assy, Lead-Free, Composite Vessel, FNPT x FNPT, Strainer	4800-OSBF	\$3,129.00
34-350LXL	Double Check Valve Assy, Lead-Free, Composite Vessel, MNPT x MNPT, Less Ball Valves	4800-OSBF	\$682.00
34-350LXLD	3/4" 350XL L/BV DM	4800-OSBF	\$767.00
34-350LXLDMFT	3/4" 350XL L/BV DM FAST TEST	4800-OSBF	\$767.00
34-350XL	Double Check Valve Assy, Lead-Free, Composite Vessel, FNPT x FNPT	4800-OSBF	\$837.00

34-350XLFT	Double Check Valve Assy, Lead-Free, Composite Vessel, FNPT x FNPT, Fast Test Cocks	4800-0SBF	\$837.00
34-350XLFTS	Double Check Valve Assy, Lead-Free, Composite Vessel, FNPT x FNPT, Fast Test Cocks, Strainer	4800-0SBF	\$1,045.00
34-350XLS	Double Check Valve Assy, Lead-Free, Composite Vessel, FNPT x FNPT, Strainer	4800-0SBF	\$1,045.00
112-35XL	Atmospheric Vacuum Breaker, FNPT x FNPT, Lead-Free Bronze	4800-00VB	\$551.00
114-35XL	Atmospheric Vacuum Breaker, FNPT x FNPT, Lead-Free Bronze	4800-00VB	\$443.00
12-35XL	Atmospheric Vacuum Breaker, FNPT x FNPT, Lead-Free Bronze	4800-00VB	\$157.00
12-35XLCH	Atmospheric Vacuum Breaker, FNPT x FNPT, Lead-Free Chrome	4800-00VB	\$161.00
12-35XLPCH	Atmospheric Vacuum Breaker, FNPT x FNPT, Lead-Free Polished Chrome	4800-00VB	\$146.00
1-35XL	Atmospheric Vacuum Breaker, FNPT x FNPT, Lead-Free Bronze	4800-00VB	\$223.00
14-35XLVCH	Atmospheric Vacuum Breaker, FNPT x FNPT, Lead-Free Chrome, Vertical Inlet & Outlet	4800-00VB	\$171.00
2-35XL	Atmospheric Vacuum Breaker, FNPT x FNPT, Lead-Free Bronze	4800-00VB	\$864.00
34-35XL	Atmospheric Vacuum Breaker, FNPT x FNPT, Lead-Free Bronze	4800-00VB	\$180.00
10-375	Reduced Pressure Principle Assy, Lead-Free, Flanged Body, Flanged NRS x Flanged NRS	4800-0LBF	\$62,552.00
10-375BSE	Reduced Pressure Principle Assy, Lead-Free, Flanged Body, Flanged x Flanged, Less Gate Valves, BS10E Flanges	4800-0LBF	\$66,234.00
10-375FSC	Reduced Pressure Principle Assy, Lead-Free, Flanged Body, Flanged NRS x Flanged NRS, Epoxy Coated Strainer	4800-0LBF	\$77,282.00
10-375L	Reduced Pressure Principle Assy, Lead-Free, Flanged Body, Flanged x Flanged, Less Gate Valves	4800-0LBF	\$45,902.00
10-375LBSE	Reduced Pressure Principle Assy, Lead-Free, Flanged Body, Flanged x Flanged, Less Gate Valves, BS10E Flanges	4800-0LBF	\$32,868.00
10-375LBSE-LCU	Reduced Pressure Principle Assy, Lead-Free, Flanged Body, F x F, BS10E Flanges, Less Gate Valves, Less RV	4800-0LBF	\$31,676.00
10-375OSY	Reduced Pressure Principle Assy, Lead-Free, Flanged Body, Flanged OSY x Flanged OSY	4800-0LBF	\$64,794.00
10-375OSYFSC	Reduced Pressure Principle Assy, Lead-Free, Flanged Body, Flanged OSY x Flanged OSY, Epoxy Coated Strainer	4800-0LBF	\$79,521.00
10-375OSYGF	Reduced Pressure Principle Assy, Lead-Free, Flanged Body, Grooved OSY x Grooved OSY	4800-0LBF	\$64,794.00
10-375OSYRH	Reduced Pressure Principle Assy, Lead-Free, Flanged Body, Flanged OSY x Flanged OSY, Right Hand GV	4800-0LBF	\$66,923.00
10-375OSYSB	10" 375OSY W/ STAINLESS BOLTS LEAD FREE	4800-0LBF	\$73,616.00
10-375W1	10" 375 RP W/Wireless Monitor DI Body NRS Gates FLG X FLG	4800-0LBF	\$65,977.00
212-375	Reduced Pressure Principle Assy, Lead-Free, Flanged Body, Flanged NRS x Flanged NRS	4800-0LBF	\$10,792.00
212-375BSE	Reduced Pressure Principle Assy, Lead-Free, Flanged Body, Flanged x Flanged, Less Gate Valves, BS10E Flanges	4800-0LBF	\$13,619.00
212-375FG	Reduced Pressure Principle Assy, Lead-Free, Flanged Body, Flanged NRS x Grooved NRS	4800-0LBF	\$10,792.00
212-375FSC	Reduced Pressure Principle Assy, Lead-Free, Flanged Body, Flanged NRS x Flanged NRS, Strainer, Epoxy Coated	4800-0LBF	\$12,140.00
212-375FSC-AG	2-1/2" 375 W/AG W/FSC LEAD FREEE212"375WAGWFSCLADFR	4800-0LBF	\$12,655.00
212-375G	Reduced Pressure Principle Assy, Lead-Free, Flanged Body, Grooved NRS x Grooved NRS	4800-0LBF	\$10,792.00
212-375L	Reduced Pressure Principle Assy, Lead-Free, Flanged Body, Flanged x Flanged, Less Gate Valves	4800-0LBF	\$7,087.00
212-375LBSE	Reduced Pressure Principle Assy, Lead-Free, Flanged Body, Flanged x Flanged, Less Gate Valves, BS10E Flanges	4800-0LBF	\$7,119.00
212-375OSY	Reduced Pressure Principle Assy, Lead-Free, Flanged Body, Flanged OSY x Flanged OSY	4800-0LBF	\$11,766.00
212-375OSY-AG	2-1/2" 375 W/OSY W/AG-6 LEAD FREEE212"375WOSYWAG6LEADF	4800-0LBF	\$12,280.00
212-375OSYFG	Reduced Pressure Principle Assy, Lead-Free, Flanged Body, Flanged OSY x Grooved OSY	4800-0LBF	\$11,766.00
212-375OSYFSC	Reduced Pressure Principle Assy, Lead-Free, Flanged Body, Flanged OSY x Flanged OSY, Epoxy Coated Strainer	4800-0LBF	\$13,111.00
212-375OSYFSCFG	2-1/2" 375OSY W/FSC FXG LF	4800-0LBF	\$13,111.00
212-375OSYGF	Reduced Pressure Principle Assy, Lead-Free, Flanged Body, Grooved OSY x Grooved OSY	4800-0LBF	\$11,766.00
212-375OSYSB	2-1/2" 375 W/OSY SS FLG BOLT LEAD FREE	4800-0LBF	\$16,367.00
212-375W1	2-1/2" 375 RP W/Wireless Monitor, DI Body NRS Gates FLG X FLG	4800-0LBF	\$12,951.00
212-3-CHECKTRIM	1-1/4" drain valve, nipples, gauges, for 2-1/2" and 3" riser check, 300 PSI	4800-00FV	\$430.00
3-375	Reduced Pressure Principle Assy, Lead-Free, Flanged Body, Flanged NRS x Flanged NRS	4800-0LBF	\$11,042.00
3-375BSE	Reduced Pressure Principle Assy, Lead-Free, Flanged Body, Flanged x Flanged, Less Gate Valves, BS10E Flanges	4800-0LBF	\$14,328.00
3-375FG	Reduced Pressure Principle Assy, Lead-Free, Flanged Body, Flanged NRS x Grooved NRS	4800-0LBF	\$11,042.00
3-375FSC	Reduced Pressure Principle Assy, Lead-Free, Flanged Body, Flanged NRS x Flanged NRS, Epoxy Coated Strainer	4800-0LBF	\$12,679.00
3-375G	Reduced Pressure Principle Assy, Lead-Free, Flanged Body, Grooved NRS x Grooved NRS	4800-0LBF	\$11,042.00
3-375L	Reduced Pressure Principle Assy, Lead-Free, Flanged Body, Flanged x Flanged, Less Gate Valves	4800-0LBF	\$7,215.00
3-375LBSD-PN16	3" 375L W/COMBO BSD & PN16 FLG ENDS	4800-0LBF	\$8,266.00
3-375LBSE	Reduced Pressure Principle Assy, Lead-Free, Flanged Body, Flanged x Flanged, Less Gate Valves, BS10E Flanges	4800-0LBF	\$6,760.00
3-375LBSE-LCK	3" 375L W/BS10 E L/CHECKS3"375LWBS10ELCHECKS	4800-0LBF	\$6,618.00
3-375OSY	Reduced Pressure Principle Assy, Lead-Free, Flanged Body, Flanged OSY x Flanged OSY	4800-0LBF	\$12,083.00
3-375OSY-AG	3" 375OSY WITH AIR GAP LEAD FREE	4800-0LBF	\$12,597.00
3-375OSYFG	Reduced Pressure Principle Assy, Lead-Free, Flanged Body, Flanged OSY x Grooved OSY	4800-0LBF	\$12,083.00

3-375OSYFSC	Reduced Pressure Principle Assy, Lead-Free, Flanged Body, Flanged OSY x Flanged OSY, Epoxy Coated Strainer	4800-0LBF	\$13,721.00
3-375OSYFSC-AG	3" 375OSY W/AG-6 W/CTD FLG STRAINER	4800-0LBF	\$14,235.00
3-375OSYFSCFG	3" 375OSY W/FSC FXG LF	4800-0LBF	\$13,721.00
3-375OSYGF	Reduced Pressure Principle Assy, Lead-Free, Flanged Body, Grooved OSY x Grooved OSY	4800-0LBF	\$12,083.00
3-375OSYGH	Reduced Pressure Principle Assy, Lead-Free, Flanged Body, Grooved OSY x Flanged OSY	4800-0LBF	\$12,083.00
3-375OSYRH	Reduced Pressure Principle Assy, Lead-Free, Flanged Body, Flanged OSY x Flanged OSY, Right Hand GV	4800-0LBF	\$15,648.00
3-375OSYSB	3" 375 W/OSY SS FLG BLT LEAD FREE	4800-0LBF	\$17,292.00
3-375PI	Flanged PI x Flanged PI	4800-0LBF	\$12,083.00
3-375PIOSY	Reduced Pressure Principle Assy, Lead-Free, Flanged Body, Flanged PI x Flanged OSY	4800-0LBF	\$12,083.00
3-375W1	3" 375 RP W/Wireless Monitor DI Body NRS Gates FLG X FLG	4800-0LBF	\$13,251.00
4-375	Reduced Pressure Principle Assy, Lead-Free, Flanged Body, Flanged NRS x Flanged NRS	4800-0LBF	\$12,543.00
4-375BSE	Reduced Pressure Principle Assy, Lead-Free, Flanged Body, Flanged x Flanged, Less Gate Valves, BS10E Flanges	4800-0LBF	\$18,708.00
4-375FG	Reduced Pressure Principle Assy, Lead-Free, Flanged Body, Flanged NRS x Grooved NRS	4800-0LBF	\$12,543.00
4-375FSC	Reduced Pressure Principle Assy, Lead-Free, Flanged Body, Flanged NRS x Flanged NRS, Epoxy Coated Strainer	4800-0LBF	\$15,208.00
4-375G	Reduced Pressure Principle Assy, Lead-Free, Flanged Body, Grooved NRS x Grooved NRS	4800-0LBF	\$12,543.00
4-375GF	Reduced Pressure Principle Assy, Lead-Free, Flanged Body, Grooved NRS x Flanged NRS	4800-0LBF	\$12,543.00
4-375L	Reduced Pressure Principle Assy, Lead-Free, Flanged Body, Flanged x Flanged, Less Gate Valves	4800-0LBF	\$8,549.00
4-375LBSD	Reduced Pressure Principle Assy, Lead-Free, Flanged Body, Flanged x Flanged, Less Gate Valves, BS10D Flanges	4800-0LBF	\$9,986.00
4-375LBSD-PN16	4" 375L W/COMBO BSD & PN16 FLG ENDS	4800-0LBF	\$11,888.00
4-375LBSE	Reduced Pressure Principle Assy, Lead-Free, Flanged Body, Flanged x Flanged, Less Gate Valves, BS10E Flanges	4800-0LBF	\$10,302.00
4-375LBSE-LCU	Reduced Pressure Principle Assy, Lead-Free, Flanged Body, F x F, BS10E Flanges, Less Gate Valves, Less RV	4800-0LBF	\$9,459.00
4-375LFSC	4" 375 L/GATES W/FSC4"375LGATESWFS	4800-0LBF	\$11,212.00
4-375LSACF	Reduced Pressure Principle Assy, Lead-Free, Flanged Body, Flanged x Flanged, Less Gate Valves, Floating Check	4800-0LBF	\$9,981.00
4-375OSY	Reduced Pressure Principle Assy, Lead-Free, Flanged Body, Flanged OSY x Flanged OSY	4800-0LBF	\$15,637.00
4-375OSY-AG	4" 375OSY WITH AIR GAP LEAD FREE	4800-0LBF	\$16,157.00
4-375OSYFG	Reduced Pressure Principle Assy, Lead-Free, Flanged Body, Flanged OSY x Grooved OSY	4800-0LBF	\$15,637.00
4-375OSYFSC	Reduced Pressure Principle Assy, Lead-Free, Flanged Body, Flanged OSY x Flanged OSY, Epoxy Coated Strainer	4800-0LBF	\$18,305.00
4-375OSYFSC-AG	4" 375OSY W/FSC W/AIR GAP LF	4800-0LBF	\$18,820.00
4-375OSYFSCFG	4" 375OSY W/FSC FXG LF	4800-0LBF	\$18,305.00
4-375OSYGF	Reduced Pressure Principle Assy, Lead-Free, Flanged Body, Grooved OSY x Grooved OSY	4800-0LBF	\$15,637.00
4-375OSYPIG	Reduced Pressure Principle Assy, Lead-Free, Flanged Body, Grooved OSY x Grooved PI	4800-0LBF	\$15,637.00
4-375OSYRH	4"375OSY W/RIGHT HAND GV LEAD FREE	4800-0LBF	\$19,667.00
4-375OSYSB	4" 375 W/OSY SS FLG BLT LEAD FREE	4800-0LBF	\$19,667.00
4-375PIOSY	Reduced Pressure Principle Assy, Lead-Free, Flanged Body, Flanged PI x Flanged OSY	4800-0LBF	\$15,637.00
4-375PIOSYGF	Reduced Pressure Principle Assy, Lead-Free, Flanged Body, Grooved PI x Grooved OSY	4800-0LBF	\$15,637.00
4-375W1	4" 375 RP W/Wireless Monitor DI Body NRS Gates FLG X FLG	4800-0LBF	\$15,050.00
6-375	Reduced Pressure Principle Assy, Lead-Free, Flanged Body, Flanged NRS x Flanged NRS	4800-0LBF	\$23,303.00
6-375BSE	Reduced Pressure Principle Assy, Lead-Free, Flanged Body, Flanged x Flanged, Less Gate Valves, BS10E Flanges	4800-0LBF	\$26,114.00
6-375FG	Reduced Pressure Principle Assy, Lead-Free, Flanged Body, Flanged NRS x Grooved NRS	4800-0LBF	\$23,303.00
6-375FSC	Reduced Pressure Principle Assy, Lead-Free, Flanged Body, Flanged NRS x Flanged NRS, Epoxy Coated Strainer	4800-0LBF	\$27,586.00
6-375G	Reduced Pressure Principle Assy, Lead-Free, Flanged Body, Grooved NRS x Grooved NRS	4800-0LBF	\$23,303.00
6-375GF	Reduced Pressure Principle Assy, Lead-Free, Flanged Body, Grooved NRS x Flanged NRS	4800-0LBF	\$23,303.00
6-375L	Reduced Pressure Principle Assy, Lead-Free, Flanged Body, Flanged x Flanged, Less Gate Valves	4800-0LBF	\$17,202.00
6-375LBSD	6" 375L W/BS10 D FLG ENDS LEAD FREE	4800-0LBF	\$19,227.00
6-375LBSD-PN16	6" 375L W/COMBO BS10D & PN16 FLG ENDS	4800-0LBF	\$18,143.00
6-375LBSE	Reduced Pressure Principle Assy, Lead-Free, Flanged Body, Flanged x Flanged, Less Gate Valves, BS10E Flanges	4800-0LBF	\$13,915.00
6-375LFSC	Reduced Pressure Principle Assy, Lead-Free, Flanged Body, F x F, Less Gate Valves, Epoxy Coated Strainer	4800-0LBF	\$21,486.00
6-375LSACF	Reduced Pressure Principle Assy, Lead-Free, Flanged Body, Flanged x Flanged, Less Gate Valves, Floating Check	4800-0LBF	\$15,405.00
6-375OSY	Reduced Pressure Principle Assy, Lead-Free, Flanged Body, Flanged OSY x Flanged OSY	4800-0LBF	\$24,408.00
6-375OSY-AG	6" 375 W/OSY W/AG-6 LEAD FREEE6"375WOSYWAG6LEADFRE	4800-0LBF	\$24,926.00
6-375OSYFG	Reduced Pressure Principle Assy, Lead-Free, Flanged Body, Flanged OSY x Grooved OSY	4800-0LBF	\$24,408.00
6-375OSYFSC	Reduced Pressure Principle Assy, Lead-Free, Flanged Body, Flanged OSY x Flanged OSY, Epoxy Coated Strainer	4800-0LBF	\$28,689.00
6-375OSYFSC-AG	6" 375OSY W/FSC- W/AIR GAP LF6"375OSYWFSCWAIRGAPL	4800-0LBF	\$29,206.00
6-375OSYFSCFG	6" 375OSY W/FSC FXG LF	4800-0LBF	\$28,689.00
6-375OSYGF	Reduced Pressure Principle Assy, Lead-Free, Flanged Body, Grooved OSY x Grooved OSY	4800-0LBF	\$24,408.00
6-375OSYGH	Reduced Pressure Principle Assy, Lead-Free, Flanged Body, Grooved OSY x Flanged OSY	4800-0LBF	\$24,408.00
6-375OSYPIG	Reduced Pressure Principle Assy, Lead-Free, Flanged Body, Grooved OSY x Grooved PI	4800-0LBF	\$24,408.00
6-375OSYPIGF	Reduced Pressure Principle Assy, Lead-Free, Flanged Body, Flanged OSY x Grooved PI	4800-0LBF	\$24,408.00
6-375OSYPIG	Reduced Pressure Principle Assy, Lead-Free, Flanged Body, Grooved OSY x Grooved PI	4800-0LBF	\$24,408.00

6-3750SYSB	Reduced Pressure Principle Assy, Lead-Free, Flanged OSY x Flanged OSY, SS Flange Bolts & Nuts	4800-OLBF	\$30,508.00
6-375PIOSY	Reduced Pressure Principle Assy, Lead-Free, Flanged Body, Flanged PI x Flanged OSY	4800-OLBF	\$24,408.00
6-375W1	6" 375 RP W/Wireless Monitor DI Body NRS Gates FLG X FLG	4800-OLBF	\$27,963.00
8-375	Reduced Pressure Principle Assy, Lead-Free, Flanged Body, Flanged NRS x Flanged NRS	4800-OLBF	\$44,547.00
8-375BSE	Reduced Pressure Principle Assy, Lead-Free, Flanged Body, Flanged x Flanged, Less Gate Valves, BS10E Flanges	4800-OLBF	\$46,793.00
8-375FSC	Reduced Pressure Principle Assy, Lead-Free, Flanged Body, Flanged NRS x Flanged NRS, Epoxy Coated Strainer	4800-OLBF	\$53,049.00
8-375G	Reduced Pressure Principle Assy, Lead-Free, Flanged Body, Grooved NRS x Grooved NRS	4800-OLBF	\$44,547.00
8-375L	Reduced Pressure Principle Assy, Lead-Free, Flanged Body, Flanged x Flanged, Less Gate Valves	4800-OLBF	\$34,005.00
8-375L8SE	Reduced Pressure Principle Assy, Lead-Free, Flanged Body, Flanged x Flanged, Less Gate Valves, BS10E Flanges	4800-OLBF	\$27,074.00
8-375L8SE-LCU	8" 375L W/BS10 E L/CUB"375LWBS10ELCU	4800-OLBF	\$29,765.00
8-375OSY	Reduced Pressure Principle Assy, Lead-Free, Flanged Body, Flanged OSY x Flanged OSY	4800-OLBF	\$46,773.00
8-375OSYFG	Reduced Pressure Principle Assy, Lead-Free, Flanged Body, Flanged OSY x Grooved OSY	4800-OLBF	\$46,773.00
8-375OSYFSC	Reduced Pressure Principle Assy, Lead-Free, Flanged Body, Flanged OSY x Flanged OSY, Epoxy Coated Strainer	4800-OLBF	\$55,272.00
8-375OSYG	Reduced Pressure Principle Assy, Lead-Free, Flanged Body, Grooved OSY x Grooved OSY	4800-OLBF	\$46,773.00
8-375OSYGF	Reduced Pressure Principle Assy, Lead-Free, Flanged Body, Grooved OSY x Flanged OSY	4800-OLBF	\$46,773.00
8-375OSYPI	8" 375 RP DI Body OSY X Post Incl FLG X FLG	4800-OLBF	\$46,773.00
8-375OSYRH	8" 375 OSY RIGHT HAND GV LEAD FREE	4800-OLBF	\$49,993.00
8-375OSYSB	8" 375 OSY W/ STAINLESS BOLTS LEAD FREE	4800-OLBF	\$54,993.00
8-375W1	8" 375 RP W/Wireless Monitor DI Body NRS Gates FLG X FLG	4800-OLBF	\$47,972.00
RK212-375RPK	REP KIT, 2-1/2" - 6" 375 RUBBER PRO-KITREPKIT12"6"375RUBBE	4800-PART	\$144.00
RK212-375RVC1	REPAIR KIT, 2-1/2" - 6" RELIEF VALVE, COMPLETE INTERNALS	4800-PART	\$380.00
RK8-375CK1	REPAIR KIT, CHECK ASSY, 8" -10" 375(A)(DA)/475(DA) #1	4800-PART	\$2,625.00
RK8-375SRPK	REP KIT, 8" -10" 375 RUBBER PRO-KIT	4800-PART	\$161.00
112-375	Reduced Pressure Principle Assy, Composite Vessel, FNPT x FNPT	4800-OSBF	\$2,487.00
112-375FT	Reduced Pressure Principle Assy, Composite Vessel, FNPT x FNPT, Fast Test Cocks	4800-OSBF	\$2,487.00
112-375LFTBT	Reduced Pressure Principle Assy, Composite Vessel, MBT THD x MBT THD, Less Ball Valves, FT Test Cocks	4800-OSBF	\$3,166.00
112-375S	Reduced Pressure Principle Assy, Composite Vessel, FNPT x FNPT, Strainer	4800-OSBF	\$2,985.00
112-375SAG	Reduced Pressure Principle Assy, Composite Vessel, FNPT x FNPT, Strainer, Air Gap	4800-OSBF	\$3,284.00
112-375SE	Reduced Pressure Principle Assy, Composite Vessel, FNPT x FNPT, Street Elbows	4800-OSBF	\$2,946.00
114-375	Reduced Pressure Principle Assy, Composite Vessel, FNPT x FNPT	4800-OSBF	\$2,409.00
114-375FT	Reduced Pressure Principle Assy, Composite Vessel, FNPT x FNPT, Fast Test Cocks	4800-OSBF	\$2,409.00
114-375LFTBT	Reduced Pressure Principle Assy, Composite Vessel, MBT THD x MBT THD, Less Ball Valves, FT Test Cocks	4800-OSBF	\$3,052.00
114-375S	Reduced Pressure Principle Assy, Composite Vessel, FNPT x FNPT, Strainer	4800-OSBF	\$2,775.00
114-375SAG	Reduced Pressure Principle Assy, Composite Vessel, FNPT x FNPT, Strainer, Air Gap	4800-OSBF	\$3,072.00
114-375SE	Reduced Pressure Principle Assy, Composite Vessel, FNPT x FNPT, Street Elbows	4800-OSBF	\$2,871.00
12-375	Reduced Pressure Principle Assy, Composite Vessel, FNPT x FNPT	4800-OSBF	\$1,205.00
12-375FT	1/2" 375 W/FT TEST COCKS12"375WFTTESTCOCKS	4800-OSBF	\$1,709.00
12-375ST	Reduced Pressure Principle Assy, Composite Vessel, FNPT x FNPT, Stainless Steel	4800-OSBF	\$5,766.00
1-375	Reduced Pressure Principle Assy, Composite Vessel, FNPT x FNPT	4800-OSBF	\$1,298.00
1-375FT	Reduced Pressure Principle Assy, Composite Vessel, FNPT x FNPT, Fast Test Cocks	4800-OSBF	\$1,298.00
1-375FTS	1" 375 W/FT, W/SXL	4800-OSBF	\$1,549.00
1-375LBT	Reduced Pressure Principle Assy, Composite Vessel, MBT THD x MBT THD, Less Ball Valves	4800-OSBF	\$2,253.00
1-375LFTBS	Reduced Pressure Principle Assy, Composite Vessel, MBS THD x MBS THD, Less Ball Valves, FT Test Cocks	4800-OSBF	\$2,228.00
1-375LFTBT	Reduced Pressure Principle Assy, Composite Vessel, MBT THD x MBT THD, Less Ball Valves, FT Test Cocks	4800-OSBF	\$2,228.00
1-375S	Reduced Pressure Principle Assy, Composite Vessel, FNPT x FNPT, Strainer	4800-OSBF	\$1,549.00
1-375SAG	Reduced Pressure Principle Assy, Composite Vessel, FNPT x FNPT, Strainer, Air Gap	4800-OSBF	\$1,775.00
1-375SE	Reduced Pressure Principle Assy, Composite Vessel, FNPT x FNPT, Street Elbows	4800-OSBF	\$1,640.00
1-375SEFT	1" 375SE W/FT1"375SEWFT	4800-OSBF	\$1,640.00
1-375ST	Reduced Pressure Principle Assy, Composite Vessel, FNPT x FNPT, Stainless Steel	4800-OSBF	\$7,484.00
2-375	Reduced Pressure Principle Assy, Composite Vessel, FNPT x FNPT	4800-OSBF	\$2,665.00
2-375ASTDALMBF	2" 375 RPDA SS BODY LESS MTR BFLY FLG X FLG	4800-OSBF	\$20,418.00
2-375FT	Reduced Pressure Principle Assy, Composite Vessel, FNPT x FNPT, Fast Test Cocks	4800-OSBF	\$2,665.00
2-375LFTBT	Reduced Pressure Principle Assy, Composite Vessel, MBT THD x MBT THD, Less Ball Valves, FT Test Cocks	4800-OSBF	\$3,229.00
2-375S	Reduced Pressure Principle Assy, Composite Vessel, FNPT x FNPT, Strainer	4800-OSBF	\$3,393.00
2-375SAG	Reduced Pressure Principle Assy, Composite Vessel, FNPT x FNPT, Strainer, Air Gap	4800-OSBF	\$3,690.00
2-375SE	Reduced Pressure Principle Assy, Composite Vessel, FNPT x FNPT, Street Elbows	4800-OSBF	\$3,244.00
34-375	Reduced Pressure Principle Assy, Composite Vessel, FNPT x FNPT	4800-OSBF	\$1,229.00

34-375AG	3/4" 375 RPP ASSY W/AG-11 NON-POTABLE	4800-OSBF	\$1,456.00
34-375FT	Reduced Pressure Principle Assy, Composite Vessel, FNPT x FNPT, Fast Test Cocks	4800-OSBF	\$1,229.00
34-375LSB	Reduced Pressure Principle Assy, Composite Vessel, MBS THD x MBS THD, Less Ball Valves	4800-OSBF	\$1,657.00
34-375LBT	Reduced Pressure Principle Assy, Composite Vessel, MBT THD x MBT THD, Less Ball Valves	4800-OSBF	\$1,657.00
34-375LFTBS	Reduced Pressure Principle Assy, Composite Vessel, MBS THD x MBS THD, Less Ball Valves, FT Test Cocks	4800-OSBF	\$1,657.00
34-375LFTBT	Reduced Pressure Principle Assy, Composite Vessel, MBT THD x MBT THD, Less Ball Valves, FT Test Cocks	4800-OSBF	\$1,659.00
34-375S	Reduced Pressure Principle Assy, Composite Vessel, FNPT x FNPT, Strainer	4800-OSBF	\$1,447.00
34-375SAG	Reduced Pressure Principle Assy, Composite Vessel, FNPT x FNPT, Strainer, Air Gap	4800-OSBF	\$1,671.00
34-375SE	Reduced Pressure Principle Assy, Composite Vessel, FNPT x FNPT, Street Elbows	4800-OSBF	\$1,529.00
34-375ST	Reduced Pressure Principle Assy, Composite Vessel, FNPT x FNPT, Stainless Steel	4800-OSBF	\$6,867.00
34-375STAG	3/4" 375 STAINLESS STEEL W/ AG-11	4800-OSBF	\$7,092.00
RK112-375BLV	1-1/2" 375B (BLACK) LESS VESSEL112"375B(BLACK)LESSV	4800-PART	\$1,262.00
RK112-375LV	1-1/2" 375 LESS VESSEL112"375LESSVESSEL	4800-PART	\$1,208.00
RK114-375	Repair Kit - 375 Complete, #1 & #2 Checks and Relief Valve (1-1/4", 1-1/2" & 2" sizes)	4800-PART	\$325.00
RK114-375R	Repair Kit - 375 Rubber Only (1-1/4", 1-1/2" & 2" sizes)	4800-PART	\$137.00
RK114-375V	Repair Kit - 375 Pressure Vessel Complete (1-1/4", 1-1/2" & 2" sizes)	4800-PART	\$827.00
RK12-375STBV1	1/2" 375ST INLET BALL VLV & O-RING	4800-PART	\$233.00
RK1-375	Repair Kit - 375 Complete (checks & RV)	4800-PART	\$201.00
RK1-375BOF	Repair Kit - 375 Blow-Out/Flush Fitting with O-rings	4800-PART	\$47.00
RK1-375R	Repair Kit - 375 Rubber Only	4800-PART	\$82.00
RK1-375STBV1	1" 375ST INLET BALL VLV & O-RING	4800-PART	\$355.00
RK1-375V	Repair Kit - 375 Pressure Vessel Complete	4800-PART	\$300.00
RK1-375VFT	Repair Kit - 375 Pressure Vessel Complete, Fast Test Cocks	4800-PART	\$300.00
RK1-375W	Repair Kit - 375 Wedge for Vessel	4800-PART	\$79.00
RK34-375	Repair Kit - 375 Complete (checks & RV)	4800-PART	\$117.00
RK34-375BOF	Repair Kit - 375 Blow-Out/Flush Fitting with O-rings	4800-PART	\$40.00
RK34-375R	Repair Kit - 375 Rubber Only	4800-PART	\$81.00
RK34-375STBV1	3/4" 375ST INLET BALL VLV & O-RING	4800-PART	\$269.00
RK34-375V	Repair Kit - 375 Pressure Vessel Complete	4800-PART	\$282.00
RK34-375VFT	Repair Kit - 375 Pressure Vessel Complete, Fast Test Cocks	4800-PART	\$282.00
RK34-375W	Repair Kit - 375 Wedge for Vessel	4800-PART	\$68.00
RK4-RV-HOSE	REPAIR KIT, SS BRAIDED HOSE 3/8" X 6" LONG, 4" 375(A) (DA)(ADA)	4800-PART	\$79.00
RK6-RV-HOSE	REPAIR KIT, SS BRAIDED HOSE 3/8" X 9" LONG, 6" 375(A) (DA)(ADA)	4800-PART	\$105.00
RK212-RV375A-HOSE	REPAIR KIT, RELIEF VALVE HOSE, 2-1/2" - 4" 375(ADA)	4800-PART	\$353.00
RK212-PITOT	REPAIR KIT, PITOT TUBE ASSY, 2-1/2"-6" 375(DA)	4800-PART	\$256.00
RK212-RPDA	REP KIT,212-3"RPDA RUBBER	4800-PART	\$332.00
RK212-RV375-HOSE	REPAIR KIT, RELIEF VALVE HOSE, 2-1/2" - 4" 375(DA)	4800-PART	\$186.00
RK212-RV-HOSE	REPAIR KIT, SS BRAIDED HOSE 3/8" X 6" LONG, 2-1/2"-3" 375(DA)	4800-PART	\$74.00
RK6-RV375-HOSE	REPAIR KIT, RELIEF VALVE HOSE, 6" 375(DA)	4800-PART	\$383.00
RK8-PITOT	REPAIR KIT, PITOT TUBE ASSY, 8" - 10" 375(DA)	4800-PART	\$281.00
RK8-RV375-HOSE	REPAIR KIT, RELIEF VALVE HOSE, 8" - 10" 375,(DA), 375(A)(DA)	4800-PART	\$415.00
RK212-RV-COVER	REPAIR KIT, RELIEF VALVE COVER, 2-1/2" - 6" 375/375A/375ADA/375DA	4800-PART	\$369.00
RK1-375-RVCOVER	REPAIR KIT, RELIEF VALVE COVER, 1" 375XL/375	4800-PART	\$111.00
RK34-375-RVCOVER	REPAIR KIT, RELIEF VALVE COVER, 3/4" 375XL/375	4800-PART	\$118.00
RK114-375RPK	REP KIT, 1-1/4" - 2" 375 RUBBER PRO-KITREPKIT114"2"375RUBBE	4800-PART	\$137.00
RK114-375TR	RK, 1-1/4-2" 350/375 TAMPRESIST.BOLTS & L-KEYRK1142"350375TAMPRES	4800-PART	\$214.00
RK1-375BV1	1" 375 INLET BALL VLV & O-RING	4800-PART	\$164.00
RK1-375BV1B	1" 375 INLET BV BLACK & O-RING	4800-PART	\$198.00
RK1-375BVD	REPAIR KIT 1" 375 SS BV HANDLES 2PER BLUE	4800-PART	\$59.00
RK1-375PK	REP KIT, 1" 375 PRO-KITREPKIT1"375PROKIT	4800-PART	\$201.00
RK1-375RPK	REP KIT, 1" 375 RUBBER PRO-KITREPKIT1"375RUBBERPRO	4800-PART	\$82.00
RK1-375STRUT	REP. KIT, 1" 375 STRUT	4800-PART	\$244.00
RK2-375STRUT	REP. KIT, 2" 375 STRUT	4800-PART	\$273.00
RK34-375BV1	3/4" 375 INLET BALL VLV & O-RING	4800-PART	\$116.00
RK34-375BV1B	3/4" 375 INLET BV BLACK & O-RING	4800-PART	\$143.00
RK34-375PK	REP KIT, 3/4" 375 PRO-KITREPKIT34"375PROKIT	4800-PART	\$117.00
RK34-375RPK	REP KIT, 3/4" 375 RUBBERPRO-KITREPKIT34"375RUBBERPR	4800-PART	\$81.00
RK34-375STRUT	REP. KIT, 3/4" 375 STRUT	4800-PART	\$205.00
RK10-375ASTDA-BP-LM	REPAIR KIT, BY-PASS ASSY, 10" 375ASTDA LESS METER	4800-PART	\$1,872.00
RK112-375BVDH	REPAIR KIT 1-1/2" 375/350 SS BV HANDLES 2PER BLUE	4800-PART	\$61.00
RK112-375XLBVHD	REPAIR KIT, 1-1/2" 375XL/350XL SS BV HANDLES 2PER GREEN LF	4800-PART	\$61.00
RK114-375BVDH	REPAIR KIT 1-1/4" 375/350 SS BV HANDLES 2PER BLUE	4800-PART	\$54.00
RK12-375BV1	1/2" 375 INLET BALL VLV & O-RING	4800-PART	\$96.00
RK12-375BV1B	1/2" 375 INLET BV BLACK & O-RING	4800-PART	\$130.00
RK12-375XLBV1B	1/2" 375XL INLET BV BLACK & O-RING	4800-PART	\$276.00
RK212-375	Repair Kit - 375/475 Relief Valve Complete	4800-PART	\$209.00
RK212-375CK1	REPAIR KIT, CHECK ASSY, 2-1/2"-3" 375(DA)/475(DA) #1	4800-PART	\$320.00
RK212-375CK2	REPAIR KIT, CHECK ASSY, 2-1/2"-3" 375(DA)/475(DA) #2	4800-PART	\$351.00
RK212-375R	Repair Kit - 375/475 Relief Valve, Rubber Only	4800-PART	\$144.00
RK4-375ASTCK1	REPAIR KIT, CHECK ASSY, 2-1/2"-4" 375AST(DA)/(4" 475ST(DA)) #1	4800-PART	\$873.00
RK4-375CK1	REPAIR KIT, CHECK ASSY, 4" 375(A)(DA)/475(DA)/(2-1/2"-3" 375(A)(DA)) #1	4800-PART	\$873.00
RK4-375DA-BP-LM	REPAIR KIT, BY-PASS ASSY, 4" 375DA LESS METER	4800-PART	\$2,196.00
RK6-375ASTCK1	REPAIR KIT, CHECK ASSY, 6" 375AST(DA)/475ST(DA) #1	4800-PART	\$1,162.00
RK6-375ASTDACK2	REPAIR KIT, CHECK ASSY, 6" 375ASTDA #2	4800-PART	\$1,019.00
RK6-375CK1	REPAIR KIT, CHECK ASSY, 6" 375(A)(DA)/475(DA) #1	4800-PART	\$1,162.00
RK8-375	Repair Kit - 375/475 Relief Valve Complete	4800-PART	\$522.00
RK8-375ASTCK1	REPAIR KIT, CHECK ASSY, 8" -10" 375AST(DA) #1	4800-PART	\$2,678.00

RK8-375R	Repair Kit - 375/475 Relief Valve, Rubber Only	4800-PART	\$161.00
RK8-375RVC1	REPAIR KIT, 8" - 10" RELIEF VALVE, COMPLETE INTERNALS	4800-PART	\$760.00
RK8-RV ASSY	REPAIR KIT, RELIEF VALVE ASSY, 8"-10" 375/475 -OR- 375AST	4800-PART	\$1,772.00
RK212-RV ASSY	REPAIR KIT, RELIEF VALVE ASSY, 2-1/2"-6" 375/475 -OR- 375AST	4800-PART	\$1,028.00
RK212-RV-PLUNGER	REPAIR KIT, PLUNGER/SEAT ASSY, 2-1/2"-6" 375/475 -OR- 375AST	4800-PART	\$94.00
10-375A	Reduced Pressure Principle Assy, Lead-Free, Grooved Body, Flanged NRS x Flanged NRS	4800-OLBF	\$62,552.00
10-375ABF	Flanged BF x Flanged BF	4800-OLBF	\$73,612.00
10-375ABG	10" 375A GXG BODY/ BF LEAD FREE	4800-OLBF	\$73,779.00
10-375AL	Reduced Pressure Principle Assy, Lead-Free, Grooved Body, Grooved x Grooved, Less Gate Valves	4800-OLBF	\$40,840.00
10-375AOSY	Reduced Pressure Principle Assy, Lead-Free, Grooved Body, Flanged OSY x Flanged OSY	4800-OLBF	\$64,794.00
10-375AOSYFSC	Reduced Pressure Principle Assy, Lead-Free, Grooved Body, Flanged OSY x Flanged OSY, Epoxy Coated Strainer	4800-OLBF	\$79,521.00
10-375AOSYG	Reduced Pressure Principle Assy, Lead-Free, Grooved Body, Grooved OSY x Grooved OSY	4800-OLBF	\$64,794.00
212-375A	Reduced Pressure Principle Assy, Lead-Free, Grooved Body, Flanged NRS x Flanged NRS	4800-OLBF	\$10,792.00
212-375A-AG	Reduced Pressure Principle Assy, 2-1/2" 375A W/AG-6	4800-OLBF	\$11,309.00
212-375ABF	212" 375 RP DI BODY BFLY FLG X FLG	4800-OLBF	\$13,829.00
212-375ABG	2-1/2" 375 GXG BODY/ B LEAD FREE	4800-OLBF	\$13,749.00
212-375AFSC	2-1/2" 375A W/FSC	4800-OLBF	\$12,140.00
212-375AG	Reduced Pressure Principle Assy, 2-1/2" 375A W/NRS GXG GV	4800-OLBF	\$10,792.00
212-375-AG	Reduced Pressure Principle Assy, 2-1/2" 375 W/AG-6 LEAD FREE	4800-OLBF	\$11,309.00
212-375AL	Reduced Pressure Principle Assy, Lead-Free, 4" Grooved Body, 4"x2-1/2" Grooved Couplings, Less Gate Valves	4800-OLBF	\$8,549.00
212-375AOSY	Reduced Pressure Principle Assy, Lead-Free, 4" Grooved Body, Flanged OSY x Flanged OSY	4800-OLBF	\$11,766.00
212-375AOSY-AG	Reduced Pressure Principle Assy, 2-1/2" 375A W/OSY GV W/AG-6	4800-OLBF	\$12,280.00
212-375AOSYFG	Reduced Pressure Principle Assy, 2-1/2" 375A FXG OSY/ GXG OSY LF	4800-OLBF	\$11,766.00
212-375AOSYFSC	2-1/2" 375AOSY W/FSC	4800-OLBF	\$13,111.00
212-375AOSYFSC-AG	212-375AOSY W/AG-6 W/FLG STRAINER	4800-OLBF	\$13,627.00
212-375AOSYG	Reduced Pressure Principle Assy, Lead-Free, 4" Grooved Body, Grooved OSY x Grooved OSY	4800-OLBF	\$11,766.00
212-375API	Flanged PI x Flanged PI	4800-OLBF	\$11,766.00
3-375A	Reduced Pressure Principle Assy, Lead-Free, Grooved Body, Flanged NRS x Flanged NRS	4800-OLBF	\$11,042.00
3-375A-AG	Reduced Pressure Principle Assy, 3" 375A W/AG-6	4800-OLBF	\$11,556.00
3-375ABF	3" 375 RP DI BODY BFLY FLG X FLG	4800-OLBF	\$14,490.00
3-375ABG	3" 375 GXG BODY/BFLY LEAD FREE	4800-OLBF	\$14,206.00
3-375AFG	Reduced Pressure Principle Assy, Lead-Free, Grooved Body, Flanged NRS x Grooved NRS	4800-OLBF	\$11,042.00
3-375AFSC	Reduced Pressure Principle Assy, Lead-Free, Grooved Body, Flanged NRS x Flanged NRS, Epoxy Coated Strainer	4800-OLBF	\$12,679.00
3-375AFSC-AG	Reduced Pressure Principle Assy, 3" 375A W/NRS W/ FSC & AIR GAP	4800-OLBF	\$13,195.00
3-375AG	Reduced Pressure Principle Assy, Lead-Free, 4" Grooved Body, Grooved NRS x Grooved NRS	4800-OLBF	\$11,042.00
3-375AGF	Reduced Pressure Principle Assy, Lead-Free, 4" Grooved Body, Grooved NRS x Flanged NRS	4800-OLBF	\$11,042.00
3-375AL	Reduced Pressure Principle Assy, Lead-Free, 4" Grooved Body, 4"x3" Grooved Couplings, Less Gate Valves	4800-OLBF	\$9,208.00
3-375AOSY	Reduced Pressure Principle Assy, Lead-Free, 4" Grooved Body, Flanged OSY x Flanged OSY	4800-OLBF	\$12,083.00
3-375AOSYFSC	Reduced Pressure Principle Assy, 3" 375A W/OSY W/FSC LEAD FREE	4800-OLBF	\$13,721.00
3-375AOSYFSC-AG	3" 375AOSY W/AG-6 W/FLG STRAINER	4800-OLBF	\$14,235.00
3-375API	Flanged PI x Flanged PI	4800-OLBF	\$12,083.00
3-375AW1	3" 375 RP W/Wireless Monitor DI Body NRS Gates FLG X FLG	4800-OLBF	\$13,251.00
4-375A	Reduced Pressure Principle Assy, Lead-Free, Grooved Body, Flanged NRS x Flanged NRS	4800-OLBF	\$12,543.00
4-375A-AG	Reduced Pressure Principle Assy, 4" 375A W/AG-6 LEAD FREE	4800-OLBF	\$13,058.00
4-375ABF	4" 375 RP DI BODY BFLY FLG X FLG	4800-OLBF	\$18,874.00
4-375ABG	4" 375 GXG BODY W/ BFLY LEAD FREE	4800-OLBF	\$18,423.00
4-375ABG-AG	4" 375 RP DI Body Bfly GRV X GRV w/Air Gap	4800-OLBF	\$18,942.00
4-375AFG	Reduced Pressure Principle Assy, Lead-Free, Grooved Body, Flanged NRS x Grooved NRS	4800-OLBF	\$12,543.00
4-375AFSC	Reduced Pressure Principle Assy, Lead-Free, Grooved Body, Flanged NRS x Flanged NRS, Epoxy Coated Strainer	4800-OLBF	\$15,208.00
4-375AFSC-AG	4" 375A W/FSC & AIR GAP LF	4800-OLBF	\$15,722.00
4-375AG	Reduced Pressure Principle Assy, Lead-Free, Grooved Body, Grooved NRS x Grooved NRS	4800-OLBF	\$12,543.00
4-375AGF	Reduced Pressure Principle Assy, Lead-Free, Grooved Body, Grooved NRS x Flanged NRS	4800-OLBF	\$12,543.00
4-375AL	Reduced Pressure Principle Assy, Lead-Free, Grooved Body, Grooved x Grooved, Less Gate Valves	4800-OLBF	\$9,375.00
4-375ALBS	Reduced Pressure Principle Assy, Lead-Free, Grooved Body, Grooved x Grooved, BS Assembly, Less Gate Valves	4800-OLBF	\$9,130.00
4-375AOSY	Reduced Pressure Principle Assy, Lead-Free, Grooved Body, Flanged OSY x Flanged OSY	4800-OLBF	\$15,637.00
4-375AOSY-AG	4" 375A W/OSY GV W/AG-6	4800-OLBF	\$16,157.00
4-375AOSYBFG	4" 375A W/OSY /BG FXG LEAD FREE	4800-OLBF	\$19,937.00
4-375AOSYFG	Reduced Pressure Principle Assy, Lead-Free, Grooved Body, Flanged OSY x Grooved OSY	4800-OLBF	\$15,637.00
4-375AOSYFSC	Reduced Pressure Principle Assy, Lead-Free, Grooved Body, Flanged OSY x Flanged OSY, Epoxy Coated Strainer	4800-OLBF	\$18,305.00
4-375AOSYFSC-AG	4-375AOSY W/AG-6 W/FLG STRAINER	4800-OLBF	\$18,820.00
4-375AOSYG	Reduced Pressure Principle Assy, Lead-Free, Grooved Body, Grooved OSY x Grooved OSY	4800-OLBF	\$15,637.00
4-375AOSYPI	Reduced Pressure Principle Assy, Lead-Free, Grooved Body, Flanged OSY x Flanged PI	4800-OLBF	\$15,637.00

4-375AOSYPIFG	Reduced Pressure Principle Assy, Lead-Free, Grooved Body, Flanged OSY x Grooved PI	4800-OLBF	\$15,637.00
4-375AOSYPIG	Reduced Pressure Principle Assy, Lead-Free, Grooved Body, Grooved OSY x Grooved PI	4800-OLBF	\$15,637.00
4-375APIG	Reduced Pressure Principle Assy, Lead-Free, Grooved Body, Grooved PI x Grooved PI	4800-OLBF	\$15,637.00
4-375AW1	4" 375 RP W/Wireless Monitor DI Body NRS Gates FLG X FLG	4800-OLBF	\$15,050.00
6-375A	Reduced Pressure Principle Assy, Lead-Free, Grooved Body, Flanged NRS x Flanged NRS	4800-OLBF	\$23,303.00
6-375ABF	6" 375 RP DI BODY BFLY FLG X FLG	4800-OLBF	\$29,024.00
6-375ABG	6" 375 GXG BODY/ BFLY LEAD FREE	4800-OLBF	\$28,542.00
6-375AFG	Reduced Pressure Principle Assy, Lead-Free, Grooved Body, Flanged NRS x Grooved NRS	4800-OLBF	\$23,303.00
6-375AFSC	Reduced Pressure Principle Assy, Lead-Free, Grooved Body, Flanged NRS x Flanged NRS, Epoxy Coated Strainer	4800-OLBF	\$27,586.00
6-375AFSC-AG	6" 375A W/FSC & AIR GAP LF	4800-OLBF	\$28,102.00
6-375AG	Reduced Pressure Principle Assy, Lead-Free, Grooved Body, Grooved NRS x Grooved NRS	4800-OLBF	\$23,303.00
6-375AGF	Reduced Pressure Principle Assy, Lead-Free, Grooved Body, Grooved NRS x Flanged NRS	4800-OLBF	\$23,303.00
6-375AL	Reduced Pressure Principle Assy, Lead-Free, Grooved Body, Grooved x Grooved, Less Gate Valves	4800-OLBF	\$17,202.00
6-375ALBS	Reduced Pressure Principle Assy, Lead-Free, Grooved Body, Grooved x Grooved, BS Assembly, Less Gate Valves	4800-OLBF	\$13,600.00
6-375AOSY	Reduced Pressure Principle Assy, Lead-Free, Grooved Body, Flanged OSY x Flanged OSY	4800-OLBF	\$24,408.00
6-375AOSYBFG	6" 375A W/OSY /BG FXG LEAD FREE	4800-OLBF	\$29,872.00
6-375AOSYFG	Reduced Pressure Principle Assy, Lead-Free, Grooved Body, Flanged OSY x Grooved OSY	4800-OLBF	\$24,408.00
6-375AOSYFSC	Reduced Pressure Principle Assy, Lead-Free, Grooved Body, Flanged OSY x Flanged OSY, Epoxy Coated Strainer	4800-OLBF	\$28,689.00
6-375AOSYG	Reduced Pressure Principle Assy, Lead-Free, Grooved Body, Grooved OSY x Grooved OSY	4800-OLBF	\$24,408.00
6-375AOSYPI	Reduced Pressure Principle Assy, Lead-Free, Grooved Body, Flanged OSY x Flanged PI	4800-OLBF	\$24,408.00
6-375AOSYPIFG	Reduced Pressure Principle Assy, Lead-Free, Grooved Body, Flanged OSY x Grooved PI	4800-OLBF	\$24,408.00
6-375AOSYPIG	Reduced Pressure Principle Assy, Lead-Free, Grooved Body, Grooved OSY x Grooved PI	4800-OLBF	\$24,408.00
6-375APIOSY	Reduced Pressure Principle Assy, Lead-Free, Grooved Body, Flanged PI x Flanged OSY	4800-OLBF	\$24,408.00
6-375AW1	6" 375 RP W/Wireless Monitor DI Body NRS Gates FLG X FLG	4800-OLBF	\$27,963.00
8-375A	Reduced Pressure Principle Assy, Lead-Free, Grooved Body, Flanged NRS x Flanged NRS	4800-OLBF	\$44,547.00
8-375ABF	Flanged BF x Flanged BF	4800-OLBF	\$53,597.00
8-375ABG	8" 375 GXG BODY/ BFLY LEAD FREE	4800-OLBF	\$53,458.00
8-375AFG	Reduced Pressure Principle Assy, Lead-Free, Grooved Body, Flanged NRS x Grooved NRS	4800-OLBF	\$44,547.00
8-375AFSC	Reduced Pressure Principle Assy, Lead-Free, Grooved Body, Flanged NRS x Flanged NRS, Epoxy Coated Strainer	4800-OLBF	\$53,049.00
8-375AG	Reduced Pressure Principle Assy, Lead-Free, Grooved Body, Grooved NRS x Grooved NRS	4800-OLBF	\$44,547.00
8-375AL	Reduced Pressure Principle Assy, Lead-Free, Grooved Body, Grooved x Grooved, Less Gate Valves	4800-OLBF	\$34,005.00
8-375ALBS	Reduced Pressure Principle Assy, Lead-Free, Grooved Body, Grooved x Grooved, BS Assembly, Less Gate Valves	4800-OLBF	\$23,913.00
8-375AOSY	Reduced Pressure Principle Assy, Lead-Free, Grooved Body, Flanged OSY x Flanged OSY	4800-OLBF	\$46,773.00
8-375AOSY-AG	8" 375 RP DI Body OSY Gates Flg X Flg w/Air gap	4800-OLBF	\$47,620.00
8-375AOSYFG	Reduced Pressure Principle Assy, Lead-Free, Grooved Body, Flanged OSY x Grooved OSY	4800-OLBF	\$44,547.00
8-375AOSYFSC	Reduced Pressure Principle Assy, Lead-Free, Grooved Body, Flanged OSY x Flanged OSY, Epoxy Coated Strainer	4800-OLBF	\$53,049.00
8-375AOSYFSC-AG	8" 375A RP DI Body OSY Gates Flg Strmr Flg X Flg w/ Air Gap	4800-OLBF	\$53,895.00
8-375AOSYG	Reduced Pressure Principle Assy, Lead-Free, Grooved Body, Grooved OSY x Grooved OSY	4800-OLBF	\$44,547.00
8-375AOSYPI	Reduced Pressure Principle Assy, Lead-Free, Grooved Body, Flanged OSY x Flanged PI	4800-OLBF	\$44,547.00
8-375AOSYPIFG	Reduced Pressure Principle Assy, Lead-Free, Grooved Body, Flanged OSY x Grooved PI	4800-OLBF	\$44,547.00
8-375AOSYPIG	Reduced Pressure Principle Assy, Lead-Free, Grooved Body, Grooved OSY x Grooved PI	4800-OLBF	\$44,547.00
10-375ADA	Reduced Principle Detector Assy, Grooved Body, Flanged OSY x Flanged OSY	4800-OLBF	\$69,266.00
10-375ADABG	10" 375ADA W/BFLY VLV	4800-OLBF	\$69,690.00
10-375ADACFM	Reduced Principle Detector Assy, Grooved Body, Flanged OSY x Flanged OSY, CFM Meter	4800-OLBF	\$69,266.00
10-375ADACFMFG	Reduced Principle Detector Assy, Grooved Body, Flanged OSY x Grooved OSY, CFM Meter	4800-OLBF	\$69,266.00
10-375ADAFG	Reduced Principle Detector Assy, Grooved Body, Flanged OSY x Grooved OSY	4800-OLBF	\$69,266.00
10-375ADAG	Reduced Principle Detector Assy, Grooved Body, Grooved OSY x Grooved OSY	4800-OLBF	\$69,266.00
10-375ADAL	Reduced Principle Detector Assy, Grooved Body, Grooved x Grooved, Less Gate Valves	4800-OLBF	\$50,358.00
10-375ADALM	Reduced Principle Detector Assy, Grooved Body, Flanged OSY x Flanged OSY, Less Meter	4800-OLBF	\$68,476.00
10-375ADALMNYC	10" 375ADA L/MTR NEW YORK10"375ADALMTRNEWYORK	4800-OLBF	\$68,476.00
212-375ADA	Reduced Principle Detector Assy, 4" Grooved Body, Flanged OSY x Flanged OSY	4800-OLBF	\$17,346.00
212-375ADABF	212" 375 RPOA DI BODY GAL MTR BFLY FLG X FLG	4800-OLBF	\$17,528.00
212-375ADABG	2-1/2" 375ADA W/BFLY VLV	4800-OLBF	\$17,519.00
212-375ADACFM	2-1/2" 375ADABG W/ BFLY VLV	4800-OLBF	\$17,519.00
212-375ADAFG	2-1/2" 375A FXG OSY/GXG OSY212"375AFXGOSYGXGOSY	4800-OLBF	\$17,346.00
212-375ADAG	2-1/2" 375ADA W/OSYG GV212"375ADAWOSYGV	4800-OLBF	\$17,346.00
212-375ADAL	Reduced Principle Detector Assy, 4" Grooved Body, Grooved x Grooved, Less Gate Valves	4800-OLBF	\$11,768.00
212-375ADALM	2 1/2" 375ADA W/OSY GV L/MTR212"375ADAWOSYGVLMTR	4800 OLBF	\$16,553.00
212-375ADALMBG	2-1/2" 375ADA W/BFLY L/MTR	4800-OLBF	\$16,727.00
212-375ADAOSYPI	2-1/2" 375ADA W/OSY/PI212"375ADAWOSYPI	4800-OLBF	\$17,346.00

212-375ADAPBFG	Flanged PI x Grooved BG	4800-OLBF	\$21,155.00
3-375ADA	Reduced Principle Detector Assy, 4" Grooved Body, Flanged OSY x Flanged OSY	4800-OLBF	\$17,647.00
3-375ADABF	3" 375 RPDA DI BODY GAL MTR BFLY FLG X FLG	4800-OLBF	\$18,221.00
3-375ADABG	3" 375ADA W/BFLY VLVS	4800-OLBF	\$17,826.00
3-375ADAFG	3" 375A FXG OSY/GXG OSY3"375AFXGOSYGXGOSY	4800-OLBF	\$17,647.00
3-375ADAG	3" 375ADA W/OSY/GV3"375ADAWOSYGGV	4800-OLBF	\$17,647.00
3-375ADAL	Reduced Principle Detector Assy, 4" Grooved Body, Grooved x Grooved, Less Gate Valves	4800-OLBF	\$11,926.00
4-375ADA	Reduced Principle Detector Assy, Grooved Body, Flanged OSY x Flanged OSY	4800-OLBF	\$19,344.00
4-375ADABF	4" 375 RPDA DI BODY GAL MTR BFLY FLG X FLG	4800-OLBF	\$21,186.00
4-375ADABG	4" 375ADA GXG BODY/BFLY	4800-OLBF	\$20,529.00
4-375ADACFM	Reduced Principle Detector Assy, Grooved Body, Flanged OSY x Flanged OSY, CFM Meter	4800-OLBF	\$19,344.00
4-375ADACFMBG	4" 375ADABG W/CFM METER	4800-OLBF	\$20,529.00
4-375ADACFMFG	Reduced Principle Detector Assy, Grooved Body, Flanged OSY x Grooved OSY, CFM Meter	4800-OLBF	\$19,344.00
4-375ADACFMG	Reduced Principle Detector Assy, Grooved Body, Grooved OSY x Grooved OSY, CFM Meter	4800-OLBF	\$19,344.00
4-375ADACFMSYPI	Reduced Principle Detector Assy, Grooved Body, Flanged OSY x Flanged PI, CFM Meter	4800-OLBF	\$19,344.00
4-375ADACFMSYPIFG	Reduced Principle Detector Assy, Grooved Body, Flanged OSY x Grooved PI, CFM Meter	4800-OLBF	\$19,344.00
4-375ADACFMSYPIG	Reduced Principle Detector Assy, Grooved Body, Grooved OSY x Grooved PI, CFM Meter	4800-OLBF	\$19,344.00
4-375ADAFG	Reduced Principle Detector Assy, Grooved Body, Flanged OSY x Grooved OSY	4800-OLBF	\$19,344.00
4-375ADAG	Reduced Principle Detector Assy, Grooved Body, Grooved OSY x Grooved OSY	4800-OLBF	\$19,344.00
4-375ADAL	Reduced Principle Detector Assy, Grooved Body, Grooved x Grooved, Less Gate Valves	4800-OLBF	\$13,101.00
4-375ADALCFM	Reduced Principle Detector Assy, Grooved Body, Grooved x Grooved, Less Gate Valves, CFM Meter	4800-OLBF	\$17,575.00
4-375ADALLM	Reduced Principle Detector Assy, Grooved Body, Grooved x Grooved, Less Gate Valves, Less Meter	4800-OLBF	\$16,777.00
4-375ADALM	Reduced Principle Detector Assy, Grooved Body, Flanged OSY x Flanged OSY, Less Meter	4800-OLBF	\$18,552.00
4-375ADALMBG	4" 375ADA L METER / BFLY	4800-OLBF	\$19,735.00
4-375ADALMFG	Reduced Principle Detector Assy, Grooved Body, Flanged OSY x Grooved OSY, Less Meter	4800-OLBF	\$18,552.00
4-375ADALMG	Reduced Principle Detector Assy, Grooved Body, Grooved OSY x Grooved OSY, Less Meter	4800-OLBF	\$18,552.00
4-375ADALMNYC	4" 375ADA L/MTR NEW YORK	4800-OLBF	\$18,552.00
4-375ADALMNYCBG	4" 375ADA L/MTR NYC W/BFLY	4800-OLBF	\$26,741.00
4-375ADAOSYBFG	4" 375ADA OSY/BG FXG	4800-OLBF	\$26,275.00
4-375ADAOSYPI	Reduced Principle Detector Assy, Grooved Body, Flanged OSY x Flanged PI	4800-OLBF	\$19,344.00
4-375ADAOSYPIFG	Reduced Principle Detector Assy, Grooved Body, Flanged OSY x Grooved PI	4800-OLBF	\$19,344.00
4-375ADAOSYPIG	Reduced Principle Detector Assy, Grooved Body, Grooved OSY x Grooved PI	4800-OLBF	\$19,344.00
4-375ADAPBFG	4" 375ADA W/FXGPI/GXG BFLY	4800-OLBF	\$26,275.00
4-375ADAPIOSY	4" 375ADA PI FXG / OSY GXF	4800-OLBF	\$19,344.00
6-375ADA	Reduced Principle Detector Assy, Grooved Body, Flanged OSY x Flanged OSY	4800-OLBF	\$27,846.00
6-375ADABF	6" 375 RPDA DI BODY GAL MTR BFLY FLG X FLG	4800-OLBF	\$30,416.00
6-375ADABG	6" 375DA GXG BODY/ BFLY	4800-OLBF	\$29,545.00
6-375ADACFM	Reduced Principle Detector Assy, Grooved Body, Flanged OSY x Flanged OSY, CFM Meter	4800-OLBF	\$27,846.00
6-375ADACFMBG	6" 375ADABG W/CFM MTR	4800-OLBF	\$29,545.00
6-375ADACFMFG	Reduced Principle Detector Assy, Grooved Body, Flanged OSY x Grooved OSY, CFM Meter	4800-OLBF	\$27,846.00
6-375ADACFMGF	Reduced Principle Detector Assy, Grooved Body, Grooved OSY x Flanged OSY, CFM Meter	4800-OLBF	\$27,846.00
6-375ADACFMSYPI	Reduced Principle Detector Assy, Grooved Body, Flanged OSY x Flanged PI, CFM Meter	4800-OLBF	\$27,846.00
6-375ADACFMSYPIFG	Reduced Principle Detector Assy, Grooved Body, Flanged OSY x Grooved PI, CFM Meter	4800-OLBF	\$27,846.00
6-375ADACFMSYPIG	Reduced Principle Detector Assy, Grooved Body, Grooved OSY x Grooved PI, CFM Meter	4800-OLBF	\$27,846.00
6-375ADACMMG	6" 375ADAG W/CMM METER	4800-OLBF	\$34,797.00
6-375ADAFG	Reduced Principle Detector Assy, Grooved Body, Flanged OSY x Grooved OSY	4800-OLBF	\$27,846.00
6-375ADAG	Reduced Principle Detector Assy, Grooved Body, Grooved OSY x Grooved OSY	4800-OLBF	\$27,846.00
6-375ADAL	Reduced Principle Detector Assy, Grooved Body, Grooved x Grooved, Less Gate Valves	4800-OLBF	\$19,333.00
6-375ADALCFM	Reduced Principle Detector Assy, Grooved Body, Grooved x Grooved, Less Gate Valves, CFM Meter	4800-OLBF	\$19,333.00
6-375ADALLM	Reduced Principle Detector Assy, Grooved Body, Grooved x Grooved, Less Gate Valves, Less Meter	4800-OLBF	\$18,541.00
6-375ADALM	Reduced Principle Detector Assy, Grooved Body, Flanged OSY x Flanged OSY, Less Meter	4800-OLBF	\$27,056.00
6-375ADALMFG	Reduced Principle Detector Assy, Grooved Body, Flanged OSY x Grooved OSY, Less Meter	4800-OLBF	\$27,056.00
6-375ADALMG	Reduced Principle Detector Assy, Grooved Body, Grooved OSY x Grooved OSY, Less Meter	4800-OLBF	\$27,056.00
6-375ADALMNYC	6" 375ADA L/MTR NEW YORK	4800-OLBF	\$27,056.00
6-375ADAOSYPI	Reduced Principle Detector Assy, Grooved Body, Flanged OSY x Flanged PI	4800-OLBF	\$27,846.00
6-375ADAOSYPIFG	Reduced Principle Detector Assy, Grooved Body, Flanged OSY x Grooved PI	4800-OLBF	\$27,846.00
6-375ADAOSYPIG	Reduced Principle Detector Assy, Grooved Body, Grooved OSY x Grooved PI	4800-OLBF	\$27,846.00
6-375ADAPIOSY	Reduced Principle Detector Assy, Grooved Body, Flanged PI x Flanged OSY	4800-OLBF	\$27,846.00
8-375ADA	Reduced Principle Detector Assy, Grooved Body, Flanged OSY x Flanged OSY	4800-OLBF	\$51,714.00
8-375ADABF	Flanged BF x Flanged BF	4800-OLBF	\$55,866.00

8-375ADABG	8" 375DA GXG BODY/ BFLY	4800-OLBF	\$54,870.00
8-375ADACFM	Reduced Principle Detector Assy, Grooved Body, Flanged OSY x Flanged OSY, CFM Meter	4800-OLBF	\$51,714.00
8-375ADACFMBG	8" 375ADABG W/CFM MTR	4800-OLBF	\$54,870.00
8-375ADACFMFG	Reduced Principle Detector Assy, Grooved Body, Flanged OSY x Grooved OSY, CFM Meter	4800-OLBF	\$51,714.00
8-375ADACFMG	8" 375ADAG W/CFM METER	4800-OLBF	\$51,714.00
8-375ADACFMSYPI	Reduced Principle Detector Assy, Grooved Body, Flanged OSY x Flanged PI, CFM Meter	4800-OLBF	\$51,714.00
8-375ADACFMSYPIFG	Reduced Principle Detector Assy, Grooved Body, Flanged OSY x Grooved PI, CFM Meter	4800-OLBF	\$51,714.00
8-375ADACFMSYPIG	Reduced Principle Detector Assy, Grooved Body, Grooved OSY x Grooved PI, CFM Meter	4800-OLBF	\$51,714.00
8-375ADAFG	Reduced Principle Detector Assy, Grooved Body, Flanged OSY x Grooved OSY	4800-OLBF	\$51,714.00
8-375ADAG	Reduced Principle Detector Assy, Grooved Body, Grooved OSY x Grooved OSY	4800-OLBF	\$51,714.00
8-375ADAL	Reduced Principle Detector Assy, Grooved Body, Grooved x Grooved, Less Gate Valves	4800-OLBF	\$36,122.00
8-375ADALCFM	Reduced Principle Detector Assy, Grooved Body, Grooved x Grooved, Less Gate Valves, CFM Meter	4800-OLBF	\$42,854.00
8-375ADALM	Reduced Principle Detector Assy, Grooved Body, Flanged OSY x Flanged OSY, Less Meter	4800-OLBF	\$50,924.00
8-375ADALMG	Reduced Principle Detector Assy, Grooved Body, Flanged OSY x Grooved OSY, Less Meter	4800-OLBF	\$50,924.00
8-375ADALMG	Reduced Principle Detector Assy, Grooved Body, Grooved OSY x Grooved OSY, Less Meter	4800-OLBF	\$50,924.00
8-375ADALMNYC	8" 375ADA L/MTR NEW YORK	4800-OLBF	\$50,924.00
8-375ADALOSY	8" 375ADA L/INLET GV / W/OSY OUTLET8"375ADALINLETGWOSY	4800-OLBF	\$41,200.00
8-375ADAOSYPI	Reduced Principle Detector Assy, Grooved Body, Flanged OSY x Flanged PI	4800-OLBF	\$51,714.00
8-375ADAOSYPIFG	Reduced Principle Detector Assy, Grooved Body, Flanged OSY x Grooved PI	4800-OLBF	\$51,714.00
8-375ADAOSYPIG	Reduced Principle Detector Assy, Grooved Body, Grooved OSY x Grooved PI	4800-OLBF	\$51,714.00
10-375ADAR-A	10" 375ADA W/GRV SPOOL A	4800-OLBF	\$69,946.00
212-375ADAR-A	2-1/2" 375ADA W/GRV SPOOL A	4800-OLBF	\$17,890.00
212-375ADARBG-A	2-1/2" 375ADA W/BFLY W/GRV SPL A	4800-OLBF	\$18,063.00
3-375ADAR-A	3" 375ADA W/GRV SPOOL A	4800-OLBF	\$18,191.00
3-375ADARCFM-A	3" 375ADACFM W/GRV SPOOL A	4800-OLBF	\$18,186.00
4-375ADAR-A	4" 375ADA W/GRV SPOOL A	4800-OLBF	\$19,887.00
6-375ADAR-A	6" 375ADA W/GRV SPOOL A	4800-OLBF	\$28,390.00
6-375ADARCFM-A	6" 375 RPDA W/SPOOL CU FT MTR	4800-OLBF	\$28,390.00
8-375ADAR-A	8" 375ADA W/GRV SPOOL A	4800-OLBF	\$52,394.00
8-375ADARCFM-A	8" 375ADACFM W/GRV SPOOL A	4800-OLBF	\$52,394.00
8-375ADARLM-A	8" 375ADALM W/GRV SPOOL A8"375ADALMGRVSPPOOLA	4800-OLBF	\$51,605.00
10-375AR-A	Reduced Pressure Principle Assy, Lead-Free, Grooved Body, Flanged NRS x Flanged NRS, Internal Spool Length A	4800-OLBF	\$63,233.00
10-375AROSY-A	Reduced Pressure Principle Assy, Lead-Free, Grooved Body, Flanged OSY x Flanged OSY, Internal Spool Length A	4800-OLBF	\$65,474.00
212-375AR-A	Reduced Pressure Principle Assy, Lead-Free, Grooved Body, Flanged NRS x Flanged NRS, Internal Spool Length A	4800-OLBF	\$11,336.00
212-375ARFSC-A	2-1/2" 375ARFSC W/GRV SPOOL A LF212"375ARFSCWGRVSPPOOL	4800-OLBF	\$12,684.00
212-375AROSY-A	2-1/2" 375AROSY W/GRV SPOOL A LEAD FREE	4800-OLBF	\$12,310.00
3-375AR-A	Reduced Pressure Principle Assy, Lead-Free, Grooved Body, Flanged NRS x Flanged NRS, Internal Spool Length A	4800-OLBF	\$11,586.00
3-375AROSY-A	3" 375AROSY W/GRV SPOOL A LEAD FREE	4800-OLBF	\$12,627.00
4-375AR-A	Reduced Pressure Principle Assy, Lead-Free, Grooved Body, Flanged NRS x Flanged NRS, Internal Spool Length A	4800-OLBF	\$13,088.00
4-375ARL-A	4" 375AL W/GRV SPOOL A LEAD FREE4"375ALWGRVSPPOOLALEA	4800-OLBF	\$9,920.00
4-375AROSY-A	4" 375AROSY W/GRV SPOOL A LEAD FREE	4800-OLBF	\$16,182.00
6-375AR-A	Reduced Pressure Principle Assy, Lead-Free, Grooved Body, Flanged NRS x Flanged NRS, Internal Spool Length A	4800-OLBF	\$23,847.00
6-375AROSY-A	6" 375AROSY W/GRV SPOOL A LEAD FREE	4800-OLBF	\$24,952.00
8-375AR-A	Reduced Pressure Principle Assy, Lead-Free, Grooved Body, Flanged NRS x Flanged NRS, Internal Spool Length A	4800-OLBF	\$45,227.00
8-375AROSY-A	8" 375AROSY W/GRV SPOOL A LEAD FREE	4800-OLBF	\$47,453.00
8-375AROSY-D	8" 375AROSY W/GRV SPOOL D LEAD FREE8"375AROSYWGRVSPPOOLD	4800-OLBF	\$55,573.00
10-375AST	Reduced Pressure Principle Assy, Lead-Free, SS Grooved Body, Flanged NRS x Flanged NRS	4800-OLBF	\$62,552.00
10-375ASTBF	Flanged BF x Flanged BF	4800-OLBF	\$73,612.00
10-375ASTBFG	Flanged BF x Grooved BG	4800-OLBF	\$73,007.00
10-375ASTBG	Reduced Pressure Principle Assy, Lead-Free, SS Grooved Body, Grooved BFLY x Grooved BFLY	4800-OLBF	\$73,779.00
10-375ASTFSC-AG	10" 375 RP SS Body NRS Gates FLG X FLG	4800-OLBF	\$78,125.00
10-375ASTOSY	Reduced Pressure Principle Assy, Lead-Free, SS Grooved Body, Flanged OSY x Flanged OSY	4800-OLBF	\$64,794.00
10-375ASTOSYST	Reduced Pressure Principle Assy, Lead-Free, SS Grooved Body, Flanged OSY x Flanged OSY, SS Trim	4800-OLBF	\$64,213.00
10-375ASTPI	Flanged PI x Flanged PI	4800-OLBF	\$64,794.00
212-375AST	Reduced Pressure Principle Assy, Lead-Free, SS Grooved Body, Flanged NRS x Flanged NRS	4800-OLBF	\$10,792.00
212-375ASTBF	212" 375 RP SS BODY BFLY FLG X FLG	4800-OLBF	\$13,829.00
212-375ASTBG	Reduced Pressure Principle Assy, Lead-Free, SS Grooved Body, Grooved BFLY x Grooved BFLY	4800-OLBF	\$13,749.00
212-375ASTFG	2-1/2" 1/2" 375 RP SS Body NRS Gates FLG X GRV	4800-OLBF	\$10,792.00
212-375ASTFSC	Reduced Pressure Principle Assy, Lead-Free, SS Grooved Body, Flanged NRS x Flanged NRS, Epoxy Coated Strainer	4800-OLBF	\$12,140.00
212-375ASTL	2-1/2" 375ASTL L/GV NOT TESTABLE	4800-OLBF	\$12,543.00
212-375ASTOSY	Reduced Pressure Principle Assy, Lead-Free, SS Grooved Body, Flanged OSY x Flanged OSY	4800-OLBF	\$11,766.00
212-375ASTW1	2-1/2" 375 RP W/Wireless Monitor SS Body NRS Gates FLG X FLG	4800-OLBF	\$12,951.00
212-375AW1	2-1/2" 375 RP W/Wireless Monitor DI Body NRS Gates FLG X FLG	4800-OLBF	\$12,951.00

3-375AST	Reduced Pressure Principle Assy, Lead-Free, SS Grooved Body, Flanged NRS x Flanged NRS	4800-0LBF	\$11,042.00
3-375AST-AG	3" 375 RP SS BODY NRS Gates FLG X FLG W/Air Gap	4800-0LBF	\$11,556.00
3-375ASTBF	3" 375 RP SS BODY BFLY FLG X FLG	4800-0LBF	\$14,490.00
3-375ASTBFG	3" 375 RP SS BODY BFLY FLG X GRV	4800-0LBF	\$14,216.00
3-375ASTBG	Reduced Pressure Principle Assy, Lead-Free, SS Grooved Body, Grooved BFLY x Grooved BFLY	4800-0LBF	\$14,206.00
3-375ASTFSC	Reduced Pressure Principle Assy, Lead-Free, SS Grooved Body, Flanged NRS x Flanged NRS, Epoxy Coated Strainer	4800-0LBF	\$12,679.00
3-375ASTGF	3" 375AST W/NRS GV GXF LF	4800-0LBF	\$11,042.00
3-375ASTL	3" 375ASTL/GV NOT TESTABLE	4800-0LBF	\$5,296.00
3-375ASTOSY	Reduced Pressure Principle Assy, Lead-Free, SS Grooved Body, Flanged OSY x Flanged OSY	4800-0LBF	\$12,083.00
3-375ASTOSYST	Reduced Pressure Principle Assy, Lead-Free, SS Grooved Body, Flanged OSY x Flanged OSY, SS Trim	4800-0LBF	\$15,839.00
3-375ASTPI	Flanged PI x Flanged PI	4800-0LBF	\$12,083.00
3-375ASTW1	3" 375 RP W/Wireless Monitor SS Body NRS Gates FLG X FLG	4800-0LBF	\$13,251.00
3-375ASTW1BG	3" 375 RP W/Wireless Monitor SS Body Bfly Vlvs GRV X GRV	4800-0LBF	\$14,610.00
3-375ASTW1FSC	3" 375 RP W/Wireless Monitor SS Body NRS Gates FLG X FLG Strnr Epoxy Coat	4800-0LBF	\$14,891.00
4-375AST	Reduced Pressure Principle Assy, Lead-Free, SS Grooved Body, Flanged NRS x Flanged NRS	4800-0LBF	\$12,543.00
4-375AST-AG	4" 375 RP SS BODY NRS Gates FLG X FLG W/Air Gap	4800-0LBF	\$13,058.00
4-375ASTBF	4" 375 RP SS BODY BFLY FLG X FLG	4800-0LBF	\$18,874.00
4-375ASTBFG	4" 375 RP SS BODY BFLY FLG X GRV	4800-0LBF	\$18,476.00
4-375ASTBG	Reduced Pressure Principle Assy, Lead-Free, SS Grooved Body, Grooved BFLY x Grooved BFLY	4800-0LBF	\$18,423.00
4-375ASTBGF	4" 375 RP SS BODY BFLY GRV X FLG	4800-0LBF	\$20,648.00
4-375ASTFSC	Reduced Pressure Principle Assy, Lead-Free, SS Grooved Body, Flanged NRS x Flanged NRS, Epoxy Coated Strainer	4800-0LBF	\$15,208.00
4-375ASTL	4" 375AST L/GV L/3 TEST COCKS LF	4800-0LBF	\$12,543.00
4-375ASTOSY	Reduced Pressure Principle Assy, Lead-Free, SS Grooved Body, Flanged OSY x Flanged OSY	4800-0LBF	\$15,637.00
4-375ASTOSYBFG	4" 375AST SS W/OSY GXF & BF GXG	4800-0LBF	\$20,382.00
4-375ASTOSYG	4" 375AST W/OSY GXG GV LEAD FREE	4800-0LBF	\$15,637.00
4-375ASTOSYST	Reduced Pressure Principle Assy, Lead-Free, SS Grooved Body, Flanged OSY x Flanged OSY, SS Trim	4800-0LBF	\$19,629.00
4-375ASTW1	4" 375 RP W/Wireless Monitor SS Body NRS Gates FLG X FLG	4800-0LBF	\$15,050.00
6-375AST	Reduced Pressure Principle Assy, Lead-Free, SS Grooved Body, Flanged NRS x Flanged NRS	4800-0LBF	\$23,303.00
6-375ASTBF	6" 375 RP SS BODY BFLY FLG X FLG	4800-0LBF	\$29,024.00
6-375ASTBFG	6" 375 RP SS BODY BFLY FLG X GRV	4800-0LBF	\$29,024.00
6-375ASTBG	Reduced Pressure Principle Assy, Lead-Free, SS Grooved Body, Grooved BFLY x Grooved BFLY	4800-0LBF	\$28,542.00
6-375ASTFSC	Reduced Pressure Principle Assy, Lead-Free, SS Grooved Body, Flanged NRS x Flanged NRS, Epoxy Coated Strainer	4800-0LBF	\$27,586.00
6-375ASTGL	6" 364AST W/NRS GV GXG LF	4800-0LBF	\$23,303.00
6-375ASTL	6" 375 RP SS BODY L/GV NOT APPROVED	4800-0LBF	\$17,202.00
6-375ASTOSY	Reduced Pressure Principle Assy, Lead-Free, SS Grooved Body, Flanged OSY x Flanged OSY	4800-0LBF	\$24,408.00
6-375ASTOSYG	6" 375AST W/OSY GXG GV LEAD FREE	4800-0LBF	\$24,408.00
6-375ASTOSYST	Reduced Pressure Principle Assy, Lead-Free, SS Grooved Body, Flanged OSY x Flanged OSY, SS Trim	4800-0LBF	\$27,901.00
6-375ASTW1	6" 375 RP W/Wireless Monitor SS Body NRS Gates FLG X FLG	4800-0LBF	\$27,963.00
8-375AST	Reduced Pressure Principle Assy, Lead-Free, SS Grooved Body, Flanged NRS x Flanged NRS	4800-0LBF	\$44,547.00
8-375ASTBF	Flanged BF x Flanged BF	4800-0LBF	\$53,597.00
8-375ASTBFG	Flanged BF x Grooved BG	4800-0LBF	\$53,029.00
8-375ASTBG	Reduced Pressure Principle Assy, Lead-Free, SS Grooved Body, Grooved BFLY x Grooved BFLY	4800-0LBF	\$53,458.00
8-375ASTOSY	Reduced Pressure Principle Assy, Lead-Free, SS Grooved Body, Flanged OSY x Flanged OSY	4800-0LBF	\$46,773.00
8-375ASTOSYG	8" 375AST SS W/OSY GXG GV LF	4800-0LBF	\$46,773.00
8-375ASTOSYPI	8" 375 RP SS BODY OSY X Post Ind FLG X FLG	4800-0LBF	\$46,773.00
8-375ASTOSYRV	8" 375 RP SS BODY OSY Gates FLG X FLG Rev Bypass	4800-0LBF	\$51,648.00
8-375ASTOSYST	Reduced Pressure Principle Assy, Lead-Free, SS Grooved Body, Flanged OSY x Flanged OSY, SS Trim	4800-0LBF	\$48,234.00
8-375ASTOSYRHA	8" 375 RP SS Body w/Spool OSY Gates Flng X Flng flow right to left	4800-0LBF	\$47,453.00
RK212-RV375AST-HOSE	REPAIR KIT, RELIEF VALVE HOSE, 2-1/2" - 4" 375AST(DA)	4800-PART	\$79.00
RK6-RV375AST-HOSE	REPAIR KIT, RELIEF VALVE HOSE, 6" 375AST(DA)	4800-PART	\$156.00
10-375ASTDA	Reduced Principle Detector Assy, SS Grooved Body, Flanged OSY x Flanged OSY	4800-0LBF	\$69,266.00
10-375ASTDABF	Flanged BF x Flanged BF	4800-0LBF	\$73,476.00
10-375ASTDABFG	Flanged BF x Grooved BG	4800-0LBF	\$72,322.00
10-375ASTDABG	Reduced Principle Detector Assy, SS Grooved Body, Grooved BFLY x Grooved BFLY	4800-0LBF	\$72,322.00
10-375ASTDALM	10" 375 RPDA SS BODY LESS MTR	4800-0LBF	\$68,476.00
10-375ASTDAST	10" 375ASTDA W/SS TRIM10" 375ASTDAWSSTRIM	4800-0LBF	\$72,473.00
212-375ASTDA	Reduced Principle Detector Assy, SS Grooved Body, Flanged OSY x Flanged OSY	4800-0LBF	\$17,346.00
212-375ASTDABF	212" 375 RPDA SS BODY GAL MTR BFLY FLG X FLG	4800-0LBF	\$18,190.00
212-375ASTDABG	Reduced Principle Detector Assy, SS Grooved Body, Grooved BFLY x Grooved BFLY	4800-0LBF	\$17,850.00
212-375ASTDACFM	2-1/2" 375 RPDA SS Body CU Ft Mtr OSY Gates FLG X FLG	4800-0LBF	\$17,346.00
212-375ASTDACFMBG	2-1/2" 375 RPDA SS Body CU Ft Mtr Bfly GRV X GRV	4800-0LBF	\$17,850.00
212-375ASTDACFMFG	2-1/2" 375 RPDA SS Body CU Ft Mtr Bfly FLG X GRV	4800-0LBF	\$17,346.00
212-375ASTDAFG	Reduced Principle Detector Assy, SS Grooved Body, Flanged OSY x Grooved OSY	4800-0LBF	\$17,346.00
212-375ASTDARCFM-A	2-1/2" 375 RPDA SS Body W/Spool CU Ft Mtr OSY Gates FLG X FLG	4800-0LBF	\$17,890.00
212-375ASTDARCFMBG-A	2-1/2" 375 RPDA SS Body W/Spool CU Ft Mtr OSY Gates FLG X FLG	4800-0LBF	\$18,395.00
3-375ASTDA	Reduced Principle Detector Assy, SS Grooved Body, Flanged OSY x Flanged OSY	4800-0LBF	\$17,647.00
3-375ASTDABF	3" 375 RPDA SS BODY GAL MTR BFLY FLG X FLG	4800-0LBF	\$18,912.00

3-375ASTDABG	Reduced Principle Detector Assy, SS Grooved Body, Grooved BFLY x Grooved BFLY	4800-0LBF	\$18,367.00
3-375ASTDAFG	Reduced Principle Detector Assy, SS Grooved Body, Flanged OSY x Grooved OSY	4800-0LBF	\$17,647.00
3-375ASTDARCFM-A	3" 375 RPDA SS Body W/Spool CU Ft Mtr OSY Gates FLG X FLG	4800-0LBF	\$18,186.00
3-375ASTDARV	3" 375 RPDA SS Body Gal Mtr OSY Gates FLG X FLG Rev. By-Pass	4800-0LBF	\$17,647.00
3-375ASTDAST	3" 375ASTDA W/SS TRIM3" 375ASTDAWSSTRIM	4800-0LBF	\$21,818.00
3-375ASTGF	3" 375 RP SS Body NRS Gates FLG X GRV	4800-0LBF	\$12,515.00
4-375ASTDA	Reduced Principle Detector Assy, SS Grooved Body, Flanged OSY x Flanged OSY	4800-0LBF	\$19,344.00
4-375ASTDA-AG	4" 375 RPDA SS Body Gal Mtr OSY Gates FLG X FLG w/Air Gap	4800-0LBF	\$19,865.00
4-375ASTDABF	4" 375 RPDA SS BODY GAL MTR BFLY FLG X FLG	4800-0LBF	\$21,982.00
4-375ASTDABFG	4" 375 RPDA SS Body Gal Mtr Bfly FLG X GRV	4800-0LBF	\$21,163.00
4-375ASTDABG	Reduced Principle Detector Assy, SS Grooved Body, Grooved BFLY x Grooved BFLY	4800-0LBF	\$21,302.00
4-375ASTDACFMV	4" 375 RPDA SS Body CU Ft Mtr OSY Gates FLG X FLG Rev. By-Pass	4800-0LBF	\$19,344.00
4-375ASTDAFG	Reduced Principle Detector Assy, SS Grooved Body, Flanged OSY x Grooved OSY	4800-0LBF	\$19,344.00
4-375ASTDARCFMVR A	4" 375 RPDA SS Body W/Spool CU Ft Mtr OSY Gates FLG X FLG Rev. By-Pass	4800-0LBF	\$19,887.00
4-375ASTDARRV-A	4" 375 RPDA SS Body W/Spool Gal Mtr OSY Gates FLG X FLG Rev. By-Pass	4800-0LBF	\$19,887.00
4-375ASTDAST	4" 375ASTDA W/SS TRIM4" 375ASTDAWSSTRIM	4800-0LBF	\$24,669.00
6-375ASTDA	Reduced Principle Detector Assy, SS Grooved Body, Flanged OSY x Flanged OSY	4800-0LBF	\$27,846.00
6-375ASTDABF	6" 375 RPDA SS BODY GAL MTR BFLY FLG X FLG	4800-0LBF	\$31,560.00
6-375ASTDABG	Reduced Principle Detector Assy, SS Grooved Body, Grooved BFLY x Grooved BFLY	4800-0LBF	\$30,659.00
6-375ASTDABGRV	6" 375 RPDA SS Body Gal Mtr Bfly GRV X GRV By-pass on Right side	4800-0LBF	\$31,010.00
6-375ASTDACFM	6" 375ASTDA W/CFM METER	4800-0LBF	\$27,846.00
6-375ASTDACFMBFG	6" 375 RPDA SS Body CU Ft Mtr Bfly FLG X GRV	4800-0LBF	\$38,871.00
6-375ASTDAFG	Reduced Principle Detector Assy, SS Grooved Body, Flanged OSY x Grooved OSY	4800-0LBF	\$27,846.00
6-375ASTDAG	Reduced Principle Detector Assy, SS Grooved Body, Grooved OSY x Grooved OSY	4800-0LBF	\$27,846.00
6-375ASTDALMBG	6" 375 RPDA SS BODY LESS MTR BFLY GRV X GRV	4800-0LBF	\$29,869.00
6-375ASTDALMRVGB	6" 375 RPDA SS Body Less Mtr Bfly Rev. GRV X GRV	4800-0LBF	\$29,869.00
6-375ASTDAPI	Flanged PI x Flanged PI	4800-0LBF	\$27,846.00
6-375ASTDAST	6" 375ASTDA W/SS TRIM6" 375ASTDAWSSTRIM	4800-0LBF	\$33,902.00
8-375ASTDA	Reduced Principle Detector Assy, SS Grooved Body, Flanged OSY x Flanged OSY	4800-0LBF	\$51,714.00
8-375ASTDABF	Flanged BF x Flanged BF	4800-0LBF	\$57,973.00
8-375ASTDABG	Reduced Principle Detector Assy, SS Grooved Body, Grooved BFLY x Grooved BFLY	4800-0LBF	\$56,937.00
8-375ASTDALMBG	8" 375 RPDA SS Body Less Mtr Bfly GRV X GRV	4800-0LBF	\$56,149.00
8-375ASTDALMNYC	8" 375 RPDA SS BODY LESS MTR NYC	4800-0LBF	\$50,924.00
8-375ASTDAST	8" 375ASTDA W/SS TRIM8" 375ASTDAWSSTRIM	4800-0LBF	\$56,851.00
RK212-375ASTDA-BP-LM	REPAIR KIT, BY-PASS ASSY, 2-1/2" - 3" 375ASTDA LESS METER	4800-PART	\$2,196.00
RK4-375ASTDA-BP-LM	REPAIR KIT, BY-PASS ASSY, 4" 375ASTDA LESS METER	4800-PART	\$1,831.00
RK6-375ASTDA-BP-LM	REPAIR KIT, BY-PASS ASSY, 6" 375ASTDA LESS METER	4800-PART	\$2,211.00
RK8-375ASTDA-BP-LM	REPAIR KIT, BY-PASS ASSY, 8" 375ASTDA LESS METER	4800-PART	\$1,872.00
RK8-375ASTDACK2	REPAIR KIT, CHECK ASSY, 8"-10" 375ASTDA #2	4800-PART	\$2,424.00
4-375ASTDACFM	4" 375 RPDA SS Body CU Ft Mtr OSY Gates FLG X FLG	4800-0LBF	\$19,344.00
8-375ASTDACFM	8" 375 RPDA SS Body CU Ft Mtr OSY Gates FLG X FLG	4800-0LBF	\$51,714.00
8-375ASTDACFMBG	8" 375 RPDA SS Body CU Ft Mtr Bfly GRV X GRV	4800-0LBF	\$56,937.00
4-375ASTDAR A	4" 375 RPDA SS Body W/Spool Gal Mtr OSY Gates FLG X FLG	4800-0LBF	\$19,887.00
6-375ASTDAR A	6" 375 RPDA SS Body W/Spool Gal Mtr OSY Gates FLG X FLG	4800-0LBF	\$28,390.00
8-375ASTDAR A	8" 375 RPDA SS Body W/Spool Gal Mtr OSY Gates FLG X FLG	4800-0LBF	\$52,394.00
10-375ASTR A	10" 375 RP SS Body W/Spool NRS Gates FLG X FLG	4800-0LBF	\$63,233.00
212-375ASTR-A	Reduced Pressure Principle Assy, Lead-Free, SS Grooved Body, Flanged NRS x Flanged NRS, Internal Spool Length A	4800-0LBF	\$11,336.00
212-375ASTRBFSCF A	2-1/2" 375 RP SS BODY W/SPOOL BFLY FLG STRNR EPOXY COAT FLG X FLG	4800-0LBF	\$18,676.00
212-375ASTRBRG A	2-1/2" 375 RP SS Body W/Spool Bfly GRV X GRV	4800-0LBF	\$14,293.00
212-375ASTRFSF A	2-1/2" 375 RP SS Body W/Spool NRS Gates FLG Strnr FLG X FLG	4800-0LBF	\$12,684.00
212-375ASTROSY-A	2-1/2" 375ASTOSY W/GRV SPOOL A	4800-0LBF	\$12,310.00
3-375ASTR-A	Reduced Pressure Principle Assy, Lead-Free, SS Grooved Body, Flanged NRS x Flanged NRS, Internal Spool Length A	4800-0LBF	\$11,586.00
3-375ASTROSY-A	3" 375ASTOSY W/GRV SPOOL A	4800-0LBF	\$12,627.00
4-375ASTR-A	Reduced Pressure Principle Assy, Lead-Free, SS Grooved Body, Flanged NRS x Flanged NRS, Internal Spool Length A	4800-0LBF	\$13,088.00
4-375ASTRBF-A	4" 375ASTBF W/GRV SPOOL A	4800-0LBF	\$19,418.00
4-375ASTRFSF A	4" 375ASTFSF W/GRV SPOOL A	4800-0LBF	\$15,752.00
4-375ASTROSY-A	4" 375ASTOSY W/GRV SPOOL A LF	4800-0LBF	\$16,182.00
4-375ASTROSYFG-A	4" 375 RP SS Body W/Spool OSY Gates FLG X GRV	4800-0LBF	\$16,182.00
6-375ASTR-A	6" 375ASTR W/GRV SPOOL A LF	4800-0LBF	\$23,847.00
8-375ASTR-A	8" 375ASTR W/GRV SPOOL A	4800-0LBF	\$45,227.00
8-375ASTRBF-A	8" 375 RP SS Body W/Spool Bfly FLG X FLG	4800-0LBF	\$54,277.00
8-375ASTRFL-A	8" 375RP SS BODY W/SPOOL LESS SHUTOFF	4800-0LBF	\$36,197.00
8-375ASTROSY-A	8" 375ASTOSY W/GROOVE SPOOL A	4800-0LBF	\$47,453.00
10-375ASTROSY-A	10" 375 RP SS Body W/Spool OSY Gates FLG X FLG	4800-0LBF	\$65,474.00
6-375ASTROSY-A	6" 375 RP SS Body W/Spool OSY Gates FLG X FLG	4800-0LBF	\$24,952.00
6-375ASTROSYNRS A	6" 375 RP SS Body W/Spool OSY X NRS FLG X FLG	4800-0LBF	\$24,231.00
10-375DA	Reduced Principle Detector Assy, Flanged Body, Flanged OSY x Flanged OSY	4800-0LBF	\$69,266.00
10-375DACFM	Reduced Principle Detector Assy, Flanged Body, Flanged OSY x Flanged OSY, CFM Meter	4800-0LBF	\$69,266.00
10-375DACFMFG	Reduced Principle Detector Assy, Flanged Body, Flanged OSY x Grooved OSY, CFM Meter	4800-0LBF	\$69,266.00
10-375DACFMG	Reduced Principle Detector Assy, Flanged Body, Grooved OSY x Grooved OSY, CFM Meter	4800-0LBF	\$69,266.00

10-375DAFG	Reduced Principle Detector Assy, Flanged Body, Flanged OSY x Grooved OSY, CFM Meter	4800-OLBF	\$69,266.00
10-375DAG	Reduced Principle Detector Assy, Flanged Body, Grooved OSY x Grooved OSY	4800-OLBF	\$69,266.00
10-375DAL	Reduced Principle Detector Assy, Flanged Body, Flanged x Flanged, Less Gate Valves	4800-OLBF	\$50,358.00
10-375DALM	Reduced Principle Detector Assy, Flanged Body, Flanged OSY x Flanged OSY, Less Meter	4800-OLBF	\$68,476.00
10-375DALMNYC	10" 375DA L/MTR NYC	4800-OLBF	\$68,476.00
10-375DASB	10" 375DA W/SS BOLTS10"375DAWSSBOLTS	4800-OLBF	\$98,812.00
212-375DA	Reduced Principle Detector Assy, Flanged Body, Flanged OSY x Flanged OSY	4800-OLBF	\$17,346.00
212-375DACFM	Reduced Principle Detector Assy, Flanged Body, Flanged OSY x Flanged OSY, CFM Meter	4800-OLBF	\$17,346.00
212-375DACFMFG	Reduced Principle Detector Assy, Flanged Body, Flanged OSY x Grooved OSY, CFM Meter	4800-OLBF	\$17,346.00
212-375DACFMG	Reduced Principle Detector Assy, Flanged Body, Grooved OSY x Grooved OSY, CFM Meter	4800-OLBF	\$17,346.00
212-375DAFG	Reduced Principle Detector Assy, Flanged Body, Flanged OSY x Grooved OSY, CFM Meter	4800-OLBF	\$17,346.00
212-375DAG	Reduced Principle Detector Assy, Flanged Body, Grooved OSY x Grooved OSY	4800-OLBF	\$17,346.00
212-375DAL	Reduced Principle Detector Assy, Flanged Body, Flanged x Flanged, Less Gate Valves	4800-OLBF	\$11,768.00
212-375DALCFM	Reduced Principle Detector Assy, Flanged Body, Flanged x Flanged, Less Gate Valves, CFM Meter	4800-OLBF	\$13,421.00
212-375DALM	Reduced Principle Detector Assy, Flanged Body, Flanged OSY x Flanged OSY, Less Meter	4800-OLBF	\$16,553.00
212-375DALMFG	Reduced Principle Detector Assy, Flanged Body, Flanged OSY x Grooved OSY, Less Meter	4800-OLBF	\$16,553.00
212-375DALMG	Reduced Principle Detector Assy, Flanged Body, Grooved OSY x Grooved OSY, Less Meter	4800-OLBF	\$16,553.00
212-375DALMNYC	2-1/2" 375DA L/MTR NYC212"375DALMTRNYC	4800-OLBF	\$16,553.00
212-375DARHCM	2-1/2" 375 RPDA DI Body Gal Mtr OSY Gates Rht Hand GV FLG X FLG	4800-OLBF	\$17,606.00
2-375DA	Reduced Principle Detector Assy, Flanged Body, FNPT OSY x FNPT OSY	4800-OSBF	\$17,232.00
2-375DACFM	Reduced Principle Detector Assy, Flanged Body, FNPT OSY x FNPT OSY, CFM Meter	4800-OSBF	\$17,232.00
2-375DALM	Reduced Principle Detector Assy, Flanged Body, FNPT OSY x FNPT OSY, Less Meter	4800-OSBF	\$16,495.00
3-375DA	Reduced Principle Detector Assy, Flanged Body, Flanged OSY x Flanged OSY	4800-OLBF	\$17,647.00
3-375DACFM	Reduced Principle Detector Assy, Flanged Body, Flanged OSY x Flanged OSY, CFM Meter	4800-OLBF	\$17,647.00
3-375DACFMFG	Reduced Principle Detector Assy, Flanged Body, Flanged OSY x Grooved OSY, CFM Meter	4800-OLBF	\$17,647.00
3-375DACFMG	Reduced Principle Detector Assy, Flanged Body, Grooved OSY x Grooved OSY, CFM Meter	4800-OLBF	\$17,647.00
3-375DACFMWE	3" 375DA W/CFM METER W/ ELBOWS3"375DAWCFMETERWELB	4800-OLBF	\$26,136.00
3-375DAFG	Reduced Principle Detector Assy, Flanged Body, Flanged OSY x Grooved OSY, CFM Meter	4800-OLBF	\$17,647.00
3-375DAG	Reduced Principle Detector Assy, Flanged Body, Grooved OSY x Grooved OSY	4800-OLBF	\$17,647.00
3-375DAL	Reduced Principle Detector Assy, Flanged Body, Flanged x Flanged, Less Gate Valves	4800-OLBF	\$11,926.00
3-375DALCFM	Reduced Principle Detector Assy, Flanged Body, Flanged x Flanged, Less Gate Valves, CFM Meter	4800-OLBF	\$13,473.00
3-375DALLM	Reduced Principle Detector Assy, Flanged Body, Flanged x Flanged, Less Meter, Less Gate Valves	4800-OLBF	\$12,672.00
3-375DALLMNYC	3" 375DA L/GV L/MTR NEW YORK	4800-OLBF	\$12,672.00
3-375DALM	Reduced Principle Detector Assy, Flanged Body, Flanged OSY x Flanged OSY, Less Meter	4800-OLBF	\$16,852.00
3-375DALMNYC	Reduced Principle Detector Assy, Flanged Body, Flanged OSY x Flanged OSY, Less Meter, NYC Config	4800-OLBF	\$16,852.00
4-375DA	Reduced Principle Detector Assy, Flanged Body, Flanged OSY x Flanged OSY	4800-OLBF	\$19,344.00
4-375DABG	4" 375 RPDA DI Body Gal Mtr Bfly GRV X GRV	4800-OLBF	\$21,428.00
4-375DACFM	Reduced Principle Detector Assy, Flanged Body, Flanged OSY x Flanged OSY, CFM Meter	4800-OLBF	\$19,344.00
4-375DACFMFG	Reduced Principle Detector Assy, Flanged Body, Flanged OSY x Grooved OSY, CFM Meter	4800-OLBF	\$19,344.00
4-375DACFMG	Reduced Principle Detector Assy, Flanged Body, Grooved OSY x Grooved OSY, CFM Meter	4800-OLBF	\$19,344.00
4-375DAFG	Reduced Principle Detector Assy, Flanged Body, Flanged OSY x Grooved OSY, CFM Meter	4800-OLBF	\$19,344.00
4-375DAG	Reduced Principle Detector Assy, Flanged Body, Grooved OSY x Grooved OSY	4800-OLBF	\$19,344.00
4-375DAGF	Reduced Principle Detector Assy, Flanged Body, Grooved OSY x Flanged OSY	4800-OLBF	\$19,344.00
4-375DAL	Reduced Principle Detector Assy, Flanged Body, Flanged x Flanged, Less Gate Valves	4800-OLBF	\$13,101.00
4-375DALCFM	Reduced Principle Detector Assy, Flanged Body, Flanged x Flanged, Less Gate Valves, CFM Meter	4800-OLBF	\$17,575.00
4-375DALLM	Reduced Principle Detector Assy, Flanged Body, Flanged x Flanged, Less Gate Valves, Less Meter	4800-OLBF	\$16,777.00
4-375DALLMNYC	4" 375DA L/GV L/MTR NY	4800-OLBF	\$16,777.00
4-375DALM	Reduced Principle Detector Assy, Flanged Body, Flanged OSY x Flanged OSY, Less Meter	4800-OLBF	\$18,552.00
4-375DALMFG	Reduced Principle Detector Assy, Flanged Body, Flanged OSY x Grooved OSY, Less Meter	4800-OLBF	\$18,552.00
4-375DALMG	Reduced Principle Detector Assy, Flanged Body, Grooved OSY x Grooved OSY, Less Meter	4800-OLBF	\$18,552.00
4-375DALMNYC	Reduced Principle Detector Assy, Flanged Body, Flanged OSY x Flanged OSY, Less Meter, NYC Option	4800-OLBF	\$18,552.00
4-375DAOSYPIG	Reduced Principle Detector Assy, Flanged Body, Grooved OSY x Grooved PI	4800-OLBF	\$19,344.00
4-375DASB	Reduced Principle Detector Assy, Flanged Body, Flanged OSY x Flanged OSY, SS Bolts	4800-OLBF	\$25,013.00

6-375DA	Reduced Principle Detector Assy, Flanged Body, Flanged OSY x Flanged OSY	4800-OLBF	\$27,846.00
6-375DABG	375 RPDA DI Body Gal Mtr Bfly GRV X GRV	4800-OLBF	\$30,866.00
6-375DACFM	Reduced Principle Detector Assy, Flanged Body, Flanged OSY x Flanged OSY, CFM Meter	4800-OLBF	\$27,846.00
6-375DACFMFG	Reduced Principle Detector Assy, Flanged Body, Flanged OSY x Grooved OSY, CFM Meter	4800-OLBF	\$27,846.00
6-375DACFMG	Reduced Principle Detector Assy, Flanged Body, Grooved OSY x Grooved OSY, CFM Meter	4800-OLBF	\$27,846.00
6-375DAFG	Reduced Principle Detector Assy, Flanged Body, Flanged OSY x Grooved OSY, CFM Meter	4800-OLBF	\$27,846.00
6-375DAG	Reduced Principle Detector Assy, Flanged Body, Grooved OSY x Grooved OSY	4800-OLBF	\$27,846.00
6-375DAGF	Reduced Principle Detector Assy, Flanged Body, Grooved OSY x Flanged OSY	4800-OLBF	\$27,846.00
6-375DAL	Reduced Principle Detector Assy, Flanged Body, Flanged x Flanged, Less Gate Valves	4800-OLBF	\$19,333.00
6-375DALCFM	Reduced Principle Detector Assy, Flanged Body, Flanged x Flanged, Less Gate Valves, CFM Meter	4800-OLBF	\$19,333.00
6-375DALLM	Reduced Principle Detector Assy, Flanged Body, Flanged x Flanged, Less Gate Valves, Less Meter	4800-OLBF	\$18,541.00
6-375DALLMSE	6" 375DA L/GV L/MTR BS10E FLG	4800-OLBF	\$24,271.00
6-375DALLMNYC	6" 375DA L/GV L/MTR NEW YORK	4800-OLBF	\$24,267.00
6-375DALM	Reduced Principle Detector Assy, Flanged Body, Flanged OSY x Flanged OSY, Less Meter	4800-OLBF	\$27,056.00
6-375DALMFG	Reduced Principle Detector Assy, Flanged Body, Flanged OSY x Grooved OSY, Less Meter	4800-OLBF	\$27,056.00
6-375DALMG	Reduced Principle Detector Assy, Flanged Body, Grooved OSY x Grooved OSY, Less Meter	4800-OLBF	\$27,056.00
6-375DALMNYC	6" 375DA L/MTR NEW YORK	4800-OLBF	\$27,056.00
6-375DALMNYCFG	6" 375DA L/MTR NYC FKF/FXG6"375DALMTRNYCFXFFXG	4800-OLBF	\$34,001.00
6-375DAOSYPI	Reduced Principle Detector Assy, Flanged Body, Flanged OSY x Flanged PI	4800-OLBF	\$27,846.00
6-375DARHCM	6" 375 RPDA DI Body CFM Mtr OSY Gates Rht Hand GV FLG X FLG	4800-OLBF	\$34,797.00
6-375DARV	6" 375 RPDA DI Body Gal Mtr OSY Gates Flng X Flng Reverse Bypass	4800-OLBF	\$27,846.00
6-375DASB	Reduced Principle Detector Assy, Flanged Body, Flanged OSY x Flanged OSY, SS Bolts	4800-OLBF	\$35,293.00
8-375DA	Reduced Principle Detector Assy, Flanged Body, Flanged OSY x Flanged OSY	4800-OLBF	\$51,714.00
8-375DACFM	Reduced Principle Detector Assy, Flanged Body, Flanged OSY x Flanged OSY, CFM Meter	4800-OLBF	\$51,714.00
8-375DACFMFG	Reduced Principle Detector Assy, Flanged Body, Flanged OSY x Grooved OSY, CFM Meter	4800-OLBF	\$51,714.00
8-375DACFMG	Reduced Principle Detector Assy, Flanged Body, Grooved OSY x Grooved OSY, CFM Meter	4800-OLBF	\$51,714.00
8-375DAFG	Reduced Principle Detector Assy, Flanged Body, Flanged OSY x Grooved OSY, CFM Meter	4800-OLBF	\$51,714.00
8-375DAG	Reduced Principle Detector Assy, Flanged Body, Grooved OSY x Grooved OSY	4800-OLBF	\$51,714.00
8-375DAL	Reduced Principle Detector Assy, Flanged Body, Flanged x Flanged, Less Gate Valves	4800-OLBF	\$36,122.00
8-375DALM	Reduced Principle Detector Assy, Flanged Body, Flanged OSY x Flanged OSY, Less Meter	4800-OLBF	\$50,924.00
8-375DALMNYC	Reduced Principle Detector Assy, Flanged Body, Flanged OSY x Flanged OSY, Less Meter, NYC Option	4800-OLBF	\$50,924.00
8-375DARH	Reduced Principle Detector Assy, Flanged Body, Flanged OSY x Flanged OSY, Right Hand Operation	4800-OLBF	\$63,344.00
8-375DASB	Reduced Principle Detector Assy, Flanged Body, Flanged OSY x Flanged OSY, SS Bolts	4800-OLBF	\$63,032.00
RK10-375DA-BP-LM	REPAIR KIT, BY-PASS ASSY. 10" 375DA LESS METER	4800-PART	\$2,239.00
RK10-475SDA-BP-LM	REPAIR KIT, BY-PASS, 10" 475SDA Less Mtr	4800-PART	\$3,325.00
RK212-375DA-BP-LM	REPAIR KIT, BY-PASS ASSY. 2-1/2" - 3" 375DA LESS METER	4800-PART	\$2,176.00
RK6-375DA-BP-LM	REPAIR KIT, BY-PASS ASSY. 6" 375DA LESS METER	4800-PART	\$2,211.00
RK8-375DA-BP-LM	REPAIR KIT, BY-PASS ASSY. 8" 375DA LESS METER	4800-PART	\$2,219.00
RK212-375DAC	Repair Kit - 375DA/475DA Rubber Only (checks & relief), incl by-pass parts	4800-PART	\$293.00
RK4-375DAC	Repair Kit - 375DA/475DA Rubber Only (checks & relief), incl by-pass parts	4800-PART	\$461.00
RK4-475DA-BP-LM	REPAIR KIT, BY-PASS ASSY. 4" 475DA LESS METER	4800-PART	\$2,197.00
RK6-375DAC	Repair Kit - 375DA/475DA Rubber Only (checks & relief), incl by-pass parts	4800-PART	\$653.00
RK8-375DAC	Repair Kit - 375DA/475DA Rubber Only (checks & relief), incl by-pass parts	4800-PART	\$758.00
RK1-375VST	Repair Kit - 375 Pressure Vessel Complete, SS Test Cocks	4800-PART	\$711.00
RK34-375VST	Repair Kit - 375 Pressure Vessel Complete, SS Test Cocks	4800-PART	\$684.00
34-375XLSBAG	3/4" 375 RP Ball Vlv Black Coat SXL Strainer Top Access Lead Free w/air gap	4800-OSBF	\$2,174.00
RK112-375XLBV1	1-1/2" 375XL INLET BALL VALVE	4800-PART	\$394.00
RK112-375XLBV1	REPAIR KIT, INLET BALL VALVE, 1-1/2" 375XL	4800-PART	\$789.00
RK112-375XLBV2	1-1/2" 375XL OUTLET BALL VALVE	4800-PART	\$394.00
RK112-375XLBV2	REPAIR KIT, OUTLET BALL VALVE, 1-1/2" 375XL	4800-PART	\$789.00
RK114-375VFT	REP. KIT, 1-1/4" - 2" 375 VESSEL W/FT TC	4800-PART	\$827.00
RK114-375XLBV1	1-1/4" 375XL INLET BALL VALVE	4800-PART	\$327.00
RK114-375XLBV2	1-1/4" 375XL INLET BALL VALVE	4800-PART	\$467.00
RK114-375XLBVHD	REPAIR KIT, 1-1/4" 375XL/350XL SS BV HANDLES 2PER GREEN LF	4800-PART	\$54.00
RK12-375XLBV2	1/2" 375XL OUTLET BALL VALVE	4800-PART	\$113.00
RK1-375XLBV1B	1" 375XL INLET BV BLACK & O-RING	4800-PART	\$356.00
RK1-375XLBV2	1" 375XL OUTLET BALL VALVE	4800-PART	\$220.00
RK1-375XLBV2	REPAIR KIT, OUTLET BALL VALVE, 1" 375XL	4800-PART	\$574.00
RK1-375XLBV2B	1" 375XL Outlet Ball Valve Black & O-ring	4800-PART	\$356.00
RK1-375XLBVHD	REPAIR KIT, 1" 375XL SS BV HANDLES 2PER GREEN LF	4800-PART	\$59.00
RK1-375XLSTRUT	REP. KIT, 1" 375XL STRUT	4800-PART	\$244.00
RK2-375XLBV1	2" 375XL INLET BALL VALVE	4800-PART	\$829.00
RK2-375XL-BV1	REPAIR KIT, INLET BALL VALVE, 2" 375XL	4800-PART	\$829.00
RK2-375XLBV2	2" 375XL OUTLET BALL VALVE	4800-PART	\$829.00
RK2-375XLBV2	REPAIR KIT, OUTLET BALL VALVE, 2" 375XL	4800-PART	\$829.00
RK2-375XLBVHD	REPAIR KIT, 2" 375XL/350XL SS BV HANDLES 2PER GREEN LF	4800-PART	\$115.00

RK2-375XLSTRUT	REP KIT, 1-1/4" - 2" 375XL STRUT	4800-PART	\$273.00
RK34-375XLBV2	3/4" 375XL OUTLET BALL VALVE	4800-PART	\$141.00
RK34-375XLSTRUT	REP KIT, 3/4" 375XL STRUT	4800-PART	\$205.00
112-375XL	Reduced Pressure Principle Assy, Lead-Free, Composite Vessel, FNPT x FNPT	4800-OSBF	\$3,223.00
112-375XLB	Reduced Pressure Principle Assy, Lead-Free, Composite Vessel, FNPT x FNPT, Black Anti-Theft Coating	4800-OSBF	\$3,153.00
112-375XLFT	Reduced Pressure Principle Assy, Lead-Free, Composite Vessel, FNPT x FNPT, Fast Test Cocks	4800-OSBF	\$3,223.00
112-375XLFTSAG	1-1/2" 375XL W/FT, STR, AG-11, LEAD FREE	4800-OSBF	\$4,015.00
112-375XLS	Reduced Pressure Principle Assy, Lead-Free, Composite Vessel, FNPT x FNPT, Strainer	4800-OSBF	\$3,716.00
112-375XLSAG	1-1/2" 375XL W/STR AG-11 LEAD FREE112"375XLWSTRAG11LEA	4800-OSBF	\$4,015.00
112-375XLSAG-BAA	1-1/2" 375 RP Bal Viv NPT SXL Strinr Top Acces Led Free w/ air gap, BAA Compliant	4800-OSBF	\$4,416.00
112-375XLSSE	Reduced Pressure Principle Assy, Lead-Free, Composite Vessel, FNPT x FNPT, Street Elbows	4800-OSBF	\$3,683.00
114-375XL	Reduced Pressure Principle Assy, Lead-Free, Composite Vessel, FNPT x FNPT	4800-OSBF	\$3,197.00
114-375XLAG	1-1/4" 375XL W/ AG-11 LEAD FREE	4800-OSBF	\$3,495.00
114-375XLB	Reduced Pressure Principle Assy, Lead-Free, Composite Vessel, FNPT x FNPT, Black Anti-Theft Coating	4800-OSBF	\$3,112.00
114-375XLFT	Reduced Pressure Principle Assy, Lead-Free, Composite Vessel, FNPT x FNPT, Fast Test Cocks	4800-OSBF	\$3,197.00
114-375XLS	Reduced Pressure Principle Assy, Lead-Free, Composite Vessel, FNPT x FNPT, Strainer	4800-OSBF	\$3,563.00
114-375XLSAG	1-1/4" 375XL W/STR AG-11 LEAD FREE114"375XLWSTRAG11LEA	4800-OSBF	\$3,863.00
114-375XLSAG-BAA	1-1/4" 375 RP Bal Viv NPT SXL Strainr Top Acces Lead Fr w/ air gap, BAA Compliant	4800-OSBF	\$4,250.00
114-375XLSSE	Reduced Pressure Principle Assy, Lead-Free, Composite Vessel, FNPT x FNPT, Street Elbows	4800-OSBF	\$3,661.00
12-375XL	Reduced Pressure Principle Assy, Lead-Free, Composite Vessel, FNPT x FNPT	4800-OSBF	\$1,700.00
12-375XLB	Reduced Pressure Principle Assy, Lead-Free, Composite Vessel, FNPT x FNPT, Black Anti-Theft Coating	4800-OSBF	\$1,711.00
12-375XLFT	1/2" 375XL W/FT LEAD FREE12"375XLWFTLEADFREE	4800-OSBF	\$1,700.00
12-375XLFTSAG	1/2" 375XL W/FT, STR, AG-11, LEAD FREE	4800-OSBF	\$2,126.00
12-375XLS	1/2" 375XL W/SXL STR LEAD FREE12"375XLWXSXLSTRLEADF	4800-OSBF	\$1,897.00
12-375XLSAG	1/2" 375XL W/STR AG-11 LEAD FREE12"375XLWSTRAG11LEAD	4800-OSBF	\$2,126.00
12-375XLSAG-BAA	1/2" 375 RP Bal Viv NPT SXL Strinr Top Acces Lead Free w/ air gap, BAA Compliant	4800-OSBF	\$2,338.00
12-375XLSSE	1/2" 375XL W/STR ELB.UP/DOWN LEAD FREE	4800-OSBF	\$1,959.00
1-375XL	Reduced Pressure Principle Assy, Lead-Free, Composite Vessel, FNPT x FNPT	4800-OSBF	\$1,836.00
1-375XLB	Reduced Pressure Principle Assy, Lead-Free, Composite Vessel, FNPT x FNPT, Black Anti-Theft Coating	4800-OSBF	\$1,840.00
1-375XLFT	Reduced Pressure Principle Assy, Lead-Free, Composite Vessel, FNPT x FNPT, Fast Test Cocks	4800-OSBF	\$1,836.00
1-375XLFTS	1" 375 RP Bal Vivs Fastest TC NPT Top Access w/ Strainer Lead Free	4800-OSBF	\$2,091.00
1-375XLFTSAG	1" 375XL W/FT, STR, AG-11, LEAD FREE	4800-OSBF	\$2,314.00
1-375XLS	Reduced Pressure Principle Assy, Lead-Free, Composite Vessel, FNPT x FNPT, Strainer	4800-OSBF	\$2,087.00
1-375XLSAG	1" 375XL W/STR AG-11 LEAD FREE1"375XLWSTRAG11LEADF	4800-OSBF	\$2,314.00
1-375XLSAG-BAA	1" 375 RP Bal Vivs NPT SXL Strinr Top Acces Lead Free w/ air gap, BAA Compliant	4800-OSBF	\$2,545.00
1-375XLSSE	Reduced Pressure Principle Assy, Lead-Free, Composite Vessel, FNPT x FNPT, Street Elbows	4800-OSBF	\$2,178.00
1-375XLSSEFT	1" 375XL FT W/STR ELBOW LEAD FREE1"375XLFTWSTRELBOVLE	4800-OSBF	\$2,178.00
2-375XL	Reduced Pressure Principle Assy, Lead-Free, Composite Vessel, FNPT x FNPT	4800-OSBF	\$3,566.00
2-375XLAG	2" 375XL W/AG-12 LEAD FREE2"375XLWAG12LEADFREE	4800-OSBF	\$3,866.00
2-375XLAG-BAA	2" 375 RP Bal Vivs NPT Top Access Lead Free w/ air gap, BAA Compliant	4800-OSBF	\$4,253.00
2-375XLB	Reduced Pressure Principle Assy, Lead-Free, Composite Vessel, FNPT x FNPT, Black Anti-Theft Coating	4800-OSBF	\$3,491.00
2-375XLFT	Reduced Pressure Principle Assy, Lead-Free, Composite Vessel, FNPT x FNPT, Fast Test Cocks	4800-OSBF	\$3,566.00
2-375XLFTSAG	2" 375XL W/FT, STR AG-12 LEAD FREE	4800-OSBF	\$4,591.00
2-375XLS	Reduced Pressure Principle Assy, Lead-Free, Composite Vessel, FNPT x FNPT, Strainer	4800-OSBF	\$4,293.00
2-375XLSAG	2" 375XL W/STR AG-12 LEAD FREE2"375XLWSTRAG12LEADF	4800-OSBF	\$4,591.00
2-375XLSAG-BAA	2" 375 RP Bal Viv NPT SXL Strainr Top Access Lead Free w/ air gap, BAA Compliant	4800-OSBF	\$5,050.00
2-375XLSSE	Reduced Pressure Principle Assy, Lead-Free, Composite Vessel, FNPT x FNPT, Street Elbows	4800-OSBF	\$4,143.00
2-375XLSSEAG	2" 375XL W/STR ELBOWS AG-12 LEAD FREE	4800-OSBF	\$4,439.00
34-375XL	Reduced Pressure Principle Assy, Lead-Free, Composite Vessel, FNPT x FNPT	4800-OSBF	\$1,734.00
34-375XLAG	3/4" 375XL W/AG-11 LEAD FREE	4800-OSBF	\$1,963.00
34-375XLB	Reduced Pressure Principle Assy, Lead-Free, Composite Vessel, FNPT x FNPT, Black Anti-Theft Coating	4800-OSBF	\$1,739.00
34-375XLFT	Reduced Pressure Principle Assy, Lead-Free, Composite Vessel, FNPT x FNPT, Fast Test Cocks	4800-OSBF	\$1,734.00
34-375XLFTSAG	3/4" 375XL W/FT, STR, AG-11, LEAD FREE	4800-OSBF	\$2,179.00
34-375XLS	Reduced Pressure Principle Assy, Lead-Free, Composite Vessel, FNPT x FNPT, Strainer	4800-OSBF	\$1,949.00
34-375XLSAG	3/4" 375XL W/STR AG-11 LEAD FREE34"375XLWSTRAG11LEAD	4800-OSBF	\$2,179.00
34-375XLSAG-BAA	3/4" 375 RP Bal Viv NPT SXL Strinr Top Acces Lead Free w/ air gap, BAA Compliant	4800-OSBF	\$2,398.00
34-375XLSSE	Reduced Pressure Principle Assy, Lead-Free, Composite Vessel, FNPT x FNPT, Street Elbows	4800-OSBF	\$2,034.00
RK12-375XLBV1	Ball Valve, Lead-Free, 375 Inlet, FNPT to Vessel, O-ring	4800-PART	\$113.00
RK1-375XLBV1	Ball Valve, Lead-Free, 375 Inlet, FNPT to Vessel, O-ring	4800-PART	\$198.00
RK34-375XLBV1	Ball Valve, Lead-Free, 375 Inlet, FNPT to Vessel, O-ring	4800-PART	\$139.00

RK34-375XLBV1B	3/4" 375XL INLET BV BLACK & O-RING	4800-PART	\$245.00
RK34-375XLBVHD	REPAIR KIT, 1/2" - 3/4" 375XL SS BV HANDLES 2PER GREEN LF	4800-PART	\$53.00
RFK4X3-40UST	4" 40UST RETROFIT KIT ADAPTERS TO REPLACE 3" COMPETITOR BACKFLOW	4800-PART	\$432.00
14-40XL2	1/4" SINGLE CHECK LEAD FREE	4800-OSBF	\$192.00
212-40XL2	2-1/2" SINGLE CHECK LEAD FREE	4800-OLBF	\$1,938.00
3-40XL2	3" SINGLE CHECK LEAD FREE	4800-OLBF	\$2,606.00
38-40XL2	3/8" SINGLE CHECK LEAD FREE	4800-OSBF	\$172.00
4-40XL2	4" SINGLE CHECK LEAD FREE	4800-OLBF	\$4,274.00
112-40XL2	Single Check Valve, Lead-Free, FNPT x FNPT	4800-OSBF	\$950.00
114-40XL2	Single Check Valve, Lead-Free, FNPT x FNPT	4800-OSBF	\$552.00
12-40XL2	Single Check Valve, Lead-Free, FNPT x FNPT	4800-OSBF	\$206.00
1-40XL2	Single Check Valve, Lead-Free, FNPT x FNPT	4800-OSBF	\$387.00
2-40XL2	Single Check Valve, Lead-Free, FNPT x FNPT	4800-OSBF	\$108.00
34-40XL2	Single Check Valve, Lead-Free, FNPT x FNPT	4800-OSBF	\$291.00
PK359	CARD, RUBBER REPAIR KIT (1/2" 3/4") FOR MODELS 420/420XL RK12-420R	4800-PART	\$25.00
PK360	CARD, RUBBER REPAIR KIT 1" 420/ 420XL RK1-420R	4800-PART	\$25.00
PK379	CARD, RUBBER REPAIR KIT (1/4" -1/2") MODEL 975XL RK14-975XLR	4800-PART	\$25.00
1-420XL	Pressure Vacuum Breaker, Lead-Free, Freeze Relief, FNPT x FNPT	4800-00VB	\$1,134.00
1-420XLFT	Pressure Vacuum Breaker, Lead-Free, Freeze Relief, FNPT x FNPT, Fast Test Cocks	4800-00VB	\$1,134.00
34-420XL	Pressure Vacuum Breaker, Lead-Free, Freeze Relief, FNPT x FNPT	4800-00VB	\$978.00
34-420XLFT	3/4" 420XL W/FT LEAD FREE	4800-00VB	\$941.00
RK12-450-COVERPLATE	REPAIR KIT, RV PORT COVER PLATE, 4" - 6" 450/450DA	4800-PART	\$115.00
RK6-450SDACK2	REPAIR KIT, CHECK ASSY, 6" 4755TDA/450STDA #2	4800-PART	\$1,105.00
10-450DA	Double Check Detector Assy, N-Pattern, Flanged OSY x Flanged OSY	4800-OLBF	\$66,729.00
10-450DABF	Flanged BF x Flanged BF	4800-OLBF	\$72,045.00
10-450DABG	10" 450DA W/BFLY GXG	4800-OLBF	\$70,949.00
10-450DACFM	Double Check Detector Assy, N-Pattern, Flanged OSY x Flanged OSY, CFM Meter	4800-OLBF	\$66,729.00
10-450DACFMG	Double Check Detector Assy, N-Pattern, Grooved OSY x Grooved OSY, CFM Meter	4800-OLBF	\$66,729.00
10-450DAFG	Double Check Detector Assy, N-Pattern, Flanged OSY x Grooved OSY	4800-OLBF	\$66,729.00
10-450DAG	Double Check Detector Assy, N-Pattern, Grooved OSY x Grooved OSY	4800-OLBF	\$66,729.00
10-450DALM	Double Check Detector Assy, N-Pattern, Flanged OSY x Flanged OSY, Less Meter	4800-OLBF	\$65,937.00
10-450DAPIOSY	Double Check Detector Assy, N-Pattern, Flanged PI x Flanged OSY	4800-OLBF	\$66,729.00
4-450DA	Double Check Detector Assy, N-Pattern, Flanged OSY x Flanged OSY	4800-OLBF	\$17,811.00
4-450DABF	4" 450 DCDA DI Body Gal Mtr Bfly FLG X FLG	4800-OLBF	\$21,247.00
4-450DABG	4" 450DA W/ BFLY VLVLS	4800-OLBF	\$19,610.00
4-450DACFM	Double Check Detector Assy, N-Pattern, Flanged OSY x Flanged OSY, CFM Meter	4800-OLBF	\$17,811.00
4-450DACFMG	Double Check Detector Assy, N-Pattern, Grooved OSY x Grooved OSY, CFM Meter	4800-OLBF	\$17,811.00
4-450DAFG	Double Check Detector Assy, N-Pattern, Flanged OSY x Grooved OSY	4800-OLBF	\$17,811.00
4-450DAG	Double Check Detector Assy, N-Pattern, Grooved OSY x Grooved OSY	4800-OLBF	\$17,811.00
4-450DAGF	Double Check Detector Assy, N-Pattern, Grooved OSY x Flanged OSY	4800-OLBF	\$17,811.00
4-450DAL	Double Check Detector Assy, N-Pattern, Grooved x Grooved, Less Gate Valves	4800-OLBF	\$14,367.00
4-450DALM	Double Check Detector Assy, N-Pattern, Flanged OSY x Flanged OSY, Less Meter	4800-OLBF	\$17,022.00
4-450DALMG	Double Check Detector Assy, N-Pattern, Grooved OSY x Grooved OSY, Less Meter	4800-OLBF	\$17,022.00
4-450DALMNYC	Double Check Detector Assy, N-Pattern, Flanged OSY x Flanged OSY, Less Meter, NYC Config	4800-OLBF	\$17,022.00
4-450DALMNYCBG	4" 450DA L/MTR NYC W/BFLY	4800-OLBF	\$21,079.00
4-450DAOSYPIG	Double Check Detector Assy, N-Pattern, Grooved OSY x Grooved PI	4800-OLBF	\$17,811.00
4-450DAPIOSYFG	Double Check Detector Assy, N-Pattern, Flanged PI x Grooved OSY	4800-OLBF	\$17,811.00
6-450DA	Double Check Detector Assy, N-Pattern, Flanged OSY x Flanged OSY	4800-OLBF	\$25,518.00
6-450DABF	Flanged BF x Flanged BF	4800-OLBF	\$28,304.00
6-450DABG	6" 450DA W/ BFLY VLVLS	4800-OLBF	\$28,094.00
6-450DACFM	Double Check Detector Assy, N-Pattern, Flanged OSY x Flanged OSY, CFM Meter	4800-OLBF	\$25,518.00
6-450DACFMFB	6" 450 DCDA DI Body CU Ft Mtr Bfly FLG X FLG	4800-OLBF	\$28,092.00
6-450DACFMGB	6" 450DABG W/CFM MTR	4800-OLBF	\$28,094.00
6-450DACFMG	Double Check Detector Assy, N-Pattern, Grooved OSY x Grooved OSY, CFM Meter	4800-OLBF	\$25,518.00
6-450DAFG	Double Check Detector Assy, N-Pattern, Flanged OSY x Grooved OSY	4800-OLBF	\$25,518.00
6-450DAG	Double Check Detector Assy, N-Pattern, Grooved OSY x Grooved OSY	4800-OLBF	\$25,518.00
6-450DAGF	Double Check Detector Assy, N-Pattern, Grooved OSY x Flanged OSY	4800-OLBF	\$25,518.00
6-450DAL	Double Check Detector Assy, N-Pattern, Grooved x Grooved, Less Gate Valves	4800-OLBF	\$19,054.00
6-450DALMNYC	Double Check Detector Assy, 6" 450DA L/GV L/MTR NYC6" 450DALGVMTRNYC	4800-OLBF	\$18,262.00
6-450DALM	Double Check Detector Assy, N-Pattern, Flanged OSY x Flanged OSY, Less Meter	4800-OLBF	\$24,722.00
6-450DALMBG	6" 450DA L/MTR W/BFLY	4800-OLBF	\$27,302.00
6-450DALMG	Double Check Detector Assy, N-Pattern, Grooved OSY x Grooved OSY, Less Meter	4800-OLBF	\$24,722.00
6-450DALMNYC	Double Check Detector Assy, N-Pattern, Flanged OSY x Flanged OSY, Less Meter, NYC Config	4800-OLBF	\$24,722.00

6-450AOSYPIFG	Double Check Detector Assy, N-Pattern, Flanged OSY x Grooved PI	4800-OLBF	\$25,518.00
6-450APIOSY	Double Check Detector Assy, 6" 450DA W/FGX PI /GXF OSY 6" 450DAWFGPIGXFOSY	4800-OLBF	\$25,518.00
6-450APIOSYG	Double Check Detector Assy, N-Pattern, Flanged PI x Grooved OSY	4800-OLBF	\$25,518.00
6-450DAST	6" 450 DCDA DI Body Gal Mtr OSY Gates SS Hardware FLG X FLG	4800-OLBF	\$29,292.00
8-450DA	Double Check Detector Assy, N-Pattern, Flanged OSY x Flanged OSY	4800-OLBF	\$47,989.00
8-450DABF	Flanged BF x Flanged BF	4800-OLBF	\$54,008.00
8-450DABG	8" 450DA W/BFLY VLVS	4800-OLBF	\$52,829.00
8-450DACFM	Double Check Detector Assy, N-Pattern, Flanged OSY x Flanged OSY, CFM Meter	4800-OLBF	\$47,989.00
8-450DACFMG	Double Check Detector Assy, N-Pattern, Grooved OSY x Grooved OSY, CFM Meter	4800-OLBF	\$47,989.00
8-450DAFG	Double Check Detector Assy, N-Pattern, Flanged OSY x Grooved OSY	4800-OLBF	\$47,989.00
8-450DAG	Double Check Detector Assy, N-Pattern, Grooved OSY x Grooved OSY	4800-OLBF	\$47,989.00
8-450DAL	Double Check Detector Assy, N-Pattern, Grooved x Grooved, Less Gate Valves	4800-OLBF	\$35,716.00
8-450DALM	Double Check Detector Assy, N-Pattern, Flanged OSY x Flanged OSY, Less Meter	4800-OLBF	\$47,194.00
8-450DALMG	Double Check Detector Assy, N-Pattern, Grooved OSY x Grooved OSY, Less Meter	4800-OLBF	\$47,194.00
8-450DALMNYC	Double Check Detector Assy, 8" 450DA L/MTR NYC8" 450DALMTRNYC	4800-OLBF	\$47,194.00
8-450DAPIOSYG	Double Check Detector Assy, N-Pattern, Flanged PI x Grooved OSY	4800-OLBF	\$47,989.00
RK4-450DA-BP-LM	REPAIR KIT, BY-PASS ASSY, 4" 450DA LESS METER	4800-PART	\$3,501.00
RK6-450DA-BP-LM	REPAIR KIT, BY-PASS ASSY, 6" 450DA LESS METER	4800-PART	\$3,587.00
RK8-450DA-BP-LM	REPAIR KIT, BY-PASS ASSY, 8" - 10" 450DA LESS METER	4800-PART	\$3,744.00
RK8-450DACK2	REPAIR KIT, CHECK ASSY, 8"-10" 375DA(A)/475DA-OR-450DA/(10" 350DA) #2	4800-PART	\$2,575.00
10-450STBG	10" 450 DC SS BODY BFLY GRV X GRV	4800-OLBF	\$71,783.00
4-450STBG	4" 450 DC SS BODY BFLY GRV X GRV	4800-OLBF	\$17,088.00
6-450STBF	6" 450 DC SS BODY BFLY FLG X FLG	4800-OLBF	\$26,359.00
6-450STOSY-RV	6" 450 DC SS Body N pattern Revs DA side OSY Gates GRV X FLG	4800-OLBF	\$25,195.00
6-450STPIOSY	6" 450 DC SS Body N pattern Post Ind X OSY Gate FLG X FLG	4800-OLBF	\$25,618.00
10-450STDABF	10" 450 DCDA SS Body CU Ft Mtr Side OSY Gates Flng X Flng	4800-OLBF	\$92,402.00
10-450STDABG	10" 450 DCDA SS Body Bfly GRV X GRV	4800-OLBF	\$88,459.00
10-450STDACFM	10" 450 DCDA SS Body N Pattern OSY Gates Cu Ft Mtr FLG X FLG	4800-OLBF	\$72,446.00
10-450STDACFMFB	10" 450 DCDA SS Body N pattern CU Ft Mtr BFLY FLG X FLG	4800-OLBF	\$92,500.00
10-450STDACFM-RV	10" 450 DCDA SS Body CU Ft Mtr Side OSY Gates Flng X Flng By-Pass Shut off on Rv	4800-OLBF	\$71,846.00
10-450STDAR	10" 450 DCDA SS Body N pattern W/spool OSY Gates FLG X FLG	4800-OLBF	\$74,034.00
10-450STDA-RV	10" 450 DCDA SS Body N Pattern OSY Gates Flng X Flng By-Pass Shut off on Reverse	4800-OLBF	\$72,446.00
4-450STDACFM	4" 450 DCDA SS Body CU Ft Mtr OSY Gates FLG X FLG	4800-OLBF	\$19,340.00
4-450STDACFM-RV	4" 450 DCDA SS Body CU Ft Mtr Rvrs DA Side OSY Gates Flng X Flng	4800-OLBF	\$19,340.00
6-450STDABF	6" 450 DCDA SS BODY BFLY FLG X FLG	4800-OLBF	\$35,067.00
6-450STDABG	6" 450 DCDA SS BODY BFLY GRV X GRV	4800-OLBF	\$32,036.00
6-450STDALMNYC	6" 450 DCDA SS Body N pattern Less Mtr NYC OSY Gates FLG X FLG	4800-OLBF	\$26,909.00
6-450STDALMNYCBG	6" 450 DCDA SS Body N pattern Less Mtr NYC Bfly GRV X GRV	4800-OLBF	\$27,347.00
6-450STDAROSYPI	6" 450 DCDA SS Body N pattern W/spool OSY Gate X Post Ind FLG X FLG	4800-OLBF	\$30,382.00
6-450STDA-RV	6" 450 DCDA SS Body N pattern Gal Mtr Rvrs DA Side OSY Gates FLG X FLG	4800-OLBF	\$27,699.00
RK1-460RPK	REP KIT, 1" 460 RUBBER PRO-KIT	4800-PART	\$109.00
12-460XL	Spill Resistant Pressure Vacuum Breaker, Lead-Free, FNPT x FNPT	4800-00VB	\$1,205.00
1-460XL	Spill Resistant Pressure Vacuum Breaker, Lead-Free, FNPT x FNPT	4800-00VB	\$1,617.00
34-460XL	Spill Resistant Pressure Vacuum Breaker, Lead-Free, FNPT x FNPT	4800-00VB	\$1,453.00
38-460XL	Spill Resistant Pressure Vacuum Breaker, Lead-Free, FNPT x FNPT	4800-00VB	\$1,205.00
RK212-RV475-ASSY	REPAIR KIT, RELIEF VALVE ASSY, 2-1/2"-6" 475(DA)	4800-PART	\$2,219.00
RK4-475-TUBE-ASSY	REPAIR KIT, PITOT TUBE ASSY, 4" - 10" 475(DA)	4800-PART	\$161.00
RK8-RV475-ASSY	REPAIR KIT, RELIEF VALVE ASSY, 8"-10" 475(DA)	4800-PART	\$3,649.00
RK8-RV475-HOSE	REPAIR KIT, RELIEF VALVE HOSE, 8" - 10" 475(DA)	4800-PART	\$230.00
RK6-475DA-BP-LM	REPAIR KIT, BY-PASS ASSY, 6" 475DA LESS METER	4800-PART	\$2,211.00
10-475DA	Reduced Principle Detector Assy, N-Pattern, Flanged OSY x Flanged OSY	4800-OLBF	\$81,673.00
10-475DABF	10" 475 RPDA DI Body N pattern Gal Mtr Bfly FLG X FLG	4800-OLBF	\$89,830.00
10-475DABG	Grooved BG x Grooved BG	4800-OLBF	\$85,886.00
10-475DACFM	Reduced Principle Detector Assy, N-Pattern, Flanged OSY x Flanged OSY, CFM Meter	4800-OLBF	\$81,673.00
10-475DACFMFB	10" 475 RPDA DI Body N pattern CU Ft Mtr Bfly GRV X GRV	4800-OLBF	\$85,886.00
10-475DACFMG	Reduced Principle Detector Assy, N-Pattern, Grooved OSY x Grooved OSY, CFM Meter	4800-OLBF	\$81,673.00
10-475DAG	Reduced Principle Detector Assy, N-Pattern, Grooved OSY x Grooved OSY	4800-OLBF	\$81,673.00
10-475DAL	Reduced Principle Detector Assy, N-Pattern, Grooved x Grooved, Less Gate Valves	4800-OLBF	\$68,182.00
10-475DALM	Reduced Principle Detector Assy, N-Pattern, Flanged OSY x Flanged OSY, Less Meter	4800-OLBF	\$80,879.00
10-475DALMBF	10" 475 RPDA DI Body N pattern Less Mtr Bfly FLG X FLG	4800-OLBF	\$86,965.00
10-475DAVG	Reduced Principle Detector Assy, Vertical, Flanged OSY x Flanged OSY	4800-OLBF	\$81,673.00
10-475DAVBG	Grooved BG x Grooved BG	4800-OLBF	\$85,886.00
3-475DACFMG	Reduced Principle Detector Assy, N-Pattern, Grooved OSY x Grooved OSY, CFM Meter	4800-OLBF	\$22,109.00

3-475DAFG	Reduced Principle Detector Assy, N-Pattern, Flanged OSY x Grooved OSY	4800-OLBF	\$22,109.00
3-475DALM	Reduced Principle Detector Assy, N-Pattern, Flanged OSY x Flanged OSY, Less Meter	4800-OLBF	\$21,318.00
4-475DA	Reduced Principle Detector Assy, N-Pattern, Flanged OSY x Flanged OSY	4800-OLBF	\$23,218.00
4-475DABG	4" 475DA W/BFLY VLVS	4800-OLBF	\$25,073.00
4-475DACFM	Reduced Principle Detector Assy, N-Pattern, Flanged OSY x Flanged OSY, CFM Meter	4800-OLBF	\$23,218.00
4-475DACFMFB	4" 475DABG W/CFM	4800-OLBF	\$25,073.00
4-475DACFMG	Reduced Principle Detector Assy, N-Pattern, Grooved OSY x Grooved OSY, CFM Meter	4800-OLBF	\$25,073.00
4-475DAFG	Reduced Principle Detector Assy, N-Pattern, Flanged OSY x Grooved OSY	4800-OLBF	\$23,218.00
4-475DAG	Reduced Principle Detector Assy, N-Pattern, Grooved OSY x Grooved OSY	4800-OLBF	\$23,218.00
4-475DAGF	Reduced Principle Detector Assy, N-Pattern, Grooved OSY x Flanged OSY	4800-OLBF	\$23,218.00
4-475DAL	Reduced Principle Detector Assy, N-Pattern, Grooved x Grooved, Less Gate Valves	4800-OLBF	\$17,048.00
4-475DALM	Reduced Principle Detector Assy, N-Pattern, Flanged OSY x Flanged OSY, Less Meter	4800-OLBF	\$22,424.00
4-475DALMBF	4" 475 RPDA LESS MTR BFLY FLG X FLG	4800-OLBF	\$25,037.00
4-475DALMG	Reduced Principle Detector Assy, N-Pattern, Grooved OSY x Grooved OSY, Less Meter	4800-OLBF	\$22,424.00
4-475DALMNYC	4" 475DA L/MTR NEW YORK#4" 475DALMTRNEWYORK	4800-OLBF	\$26,357.00
4-475DAV	Reduced Principle Detector Assy, Vertical, Flanged OSY x Flanged OSY	4800-OLBF	\$23,218.00
4-475DAVBF	Flanged BF x Flanged BF	4800-OLBF	\$25,828.00
4-475DAVBG	4" 475DAV W/BFLY VLVS	4800-OLBF	\$25,073.00
4-475DAVCFM	Reduced Principle Detector Assy, Vertical, Flanged OSY x Flanged OSY, CFM Meter	4800-OLBF	\$23,218.00
4-475DAVCFMFB	4" 475DAV W/CFM /BG	4800-OLBF	\$25,073.00
4-475DAVCFMG	4" 475 RPDA DI Body Vert CU Ft Mtr OSY Gates GRV x GRV	4800-OLBF	\$23,218.00
4-475DAVFG	Reduced Principle Detector Assy, Vertical, Flanged OSY x Grooved OSY	4800-OLBF	\$23,218.00
4-475DAVG	Reduced Principle Detector Assy, Vertical, Grooved OSY x Grooved OSY	4800-OLBF	\$23,218.00
4-475DAVGF	Reduced Principle Detector Assy, Vertical, Grooved OSY x Flanged OSY	4800-OLBF	\$23,218.00
4-475DAVL	Reduced Principle Detector Assy, Vertical, Grooved x Grooved, Less Gate Valves	4800-OLBF	\$17,048.00
4-475DAVLMFG	Reduced Principle Detector Assy, Vertical, Flanged OSY x Grooved OSY, Less Meter	4800-OLBF	\$22,424.00
4-475DAVLMG	Reduced Principle Detector Assy, Vertical, Grooved OSY x Grooved OSY, Less Meter	4800-OLBF	\$22,424.00
4-475DAVLMNYC	4" 475DAV L/MTR NEW YORK L.F.#4" 475DAVLMTRNEWYORKL	4800-OLBF	\$26,357.00
4-475DAVLMNYCBFG	4" 475 RPDA DI Body Vert Less Mtr NYC Bfly FLG X GRV	4800-OLBF	\$27,572.00
4-475DAVOSYBFG	4" 475 RPDA DI Body Vert Gal Mtr OSY X BFLY FLG X GRV	4800-OLBF	\$28,520.00
4-475DAVOSYPI	Reduced Principle Detector Assy, Vertical, Flanged OSY x Flanged PI	4800-OLBF	\$23,218.00
4-475DAVOSYPIFG	Reduced Principle Detector Assy, Vertical, Flanged OSY x Grooved PI	4800-OLBF	\$23,218.00
4-475DAVOSYPIG	Reduced Principle Detector Assy, Vertical, Grooved OSY x Grooved PI	4800-OLBF	\$23,218.00
4-475DAVPBG	4" 475DAV GXG PI/GXG BF	4800-OLBF	\$28,520.00
4-475DAVPIOSY	4-475DAVPIOSY475DAVPIOSY	4800-OLBF	\$23,218.00
4-475DAVVR	4" 475 RPDA DI Body Vert Gal Mtr OSY Gates FLG X FLG Rev By-Pass	4800-OLBF	\$23,218.00
6-475DA	Reduced Principle Detector Assy, N-Pattern, Flanged OSY x Flanged OSY	4800-OLBF	\$33,288.00
6-475DABF	Flanged BF x Flanged BF	4800-OLBF	\$37,595.00
6-475DABG	6" 475DA W/ BFLY VLVS	4800-OLBF	\$36,643.00
6-475DACFM	Reduced Principle Detector Assy, N-Pattern, Flanged OSY x Flanged OSY, CFM Meter	4800-OLBF	\$33,288.00
6-475DACFMFB	6" 475DABG W/CFM METER	4800-OLBF	\$36,643.00
6-475DACFMG	Reduced Principle Detector Assy, N-Pattern, Grooved OSY x Grooved OSY, CFM Meter	4800-OLBF	\$33,288.00
6-475DAFG	Reduced Principle Detector Assy, N-Pattern, Flanged OSY x Grooved OSY	4800-OLBF	\$33,288.00
6-475DAG	Reduced Principle Detector Assy, N-Pattern, Grooved OSY x Grooved OSY	4800-OLBF	\$33,288.00
6-475DAGF	Reduced Principle Detector Assy, N-Pattern, Grooved OSY x Flanged OSY	4800-OLBF	\$33,288.00
6-475DAL	Reduced Principle Detector Assy, N-Pattern, Grooved x Grooved, Less Gate Valves	4800-OLBF	\$24,175.00
6-475DALCFM	6" 475 RPDA DI Body N pattern CU Ft Mtr Less Shutoff FLG X FLG	4800-OLBF	\$24,175.00
6-475DALM	Reduced Principle Detector Assy, N-Pattern, Flanged OSY x Flanged OSY, Less Meter	4800-OLBF	\$32,493.00
6-475DALMG	Reduced Principle Detector Assy, N-Pattern, Grooved OSY x Grooved OSY, Less Meter	4800-OLBF	\$32,493.00
6-475DALMNYC	6" 475DA L/MTR NEW YORK#6" 475DALMTRNEWYORK	4800-OLBF	\$37,007.00
6-475DAPIOSY	Reduced Principle Detector Assy, N-Pattern, Flanged PI x Flanged OSY	4800-OLBF	\$33,288.00
6-475DAV	Reduced Principle Detector Assy, Vertical, Flanged OSY x Flanged OSY	4800-OLBF	\$33,288.00
6-475DAVBF	Flanged BF x Flanged BF	4800-OLBF	\$37,595.00
6-475DAVBG	6" 475DAV W/ BFLY VLVS	4800-OLBF	\$36,643.00
6-475DAVCFM	Reduced Principle Detector Assy, Vertical, Flanged OSY x Flanged OSY, CFM Meter	4800-OLBF	\$33,288.00
6-475DAVCFMFB	6" 475 RPDA DI Body Vert CU Ft Mtr Bfly FLG X FLG	4800-OLBF	\$37,595.00
6-475DAVCFMFBG	6" 475DAVBG W/CFM METER	4800-OLBF	\$36,643.00
6-475DAVCFMG	Reduced Principle Detector Assy, Vertical, Flanged OSY x Grooved OSY, CFM Meter	4800-OLBF	\$33,288.00
6-475DAVCFMPIOSY	Reduced Principle Detector Assy, Vertical, Flanged PI x Flanged OSY, CFM Meter	4800-OLBF	\$33,288.00
6-475DAVFG	Reduced Principle Detector Assy, Vertical, Flanged OSY x Grooved OSY	4800-OLBF	\$33,288.00

6-475DAVG	Reduced Principle Detector Assy, Vertical, Grooved OSY x Grooved OSY	4800-OLBF	\$33,288.00
6-475DAVGF	Reduced Principle Detector Assy, Vertical, Grooved OSY x Flanged OSY	4800-OLBF	\$33,288.00
6-475DAVL	Reduced Principle Detector Assy, Vertical, Grooved x Grooved, Less Gate Valves	4800-OLBF	\$24,175.00
6-475DAVLM	Reduced Principle Detector Assy, Vertical, Flanged OSY x Flanged OSY, Less Meter	4800-OLBF	\$32,493.00
6-475DAVLMFG	Reduced Principle Detector Assy, Vertical, Flanged OSY x Grooved OSY, Less Meter	4800-OLBF	\$32,493.00
6-475DAVLMGM	Reduced Principle Detector Assy, Vertical, Grooved OSY x Grooved OSY, Less Meter	4800-OLBF	\$32,493.00
6-475DAVLMNYC	6" 475DAV L/MTR NYC6"475DAVLMTRNYC	4800-OLBF	\$38,853.00
6-475DAVOSYPIFG	Reduced Principle Detector Assy, Vertical, Flanged OSY x Grooved PI	4800-OLBF	\$33,288.00
6-475DAVPIOSY	Reduced Principle Detector Assy, Vertical, Flanged PI x Flanged OSY	4800-OLBF	\$33,288.00
6-475OSYPIFG	6" 475 W/OSY IN /PI OUT FXG6"475WOSYINPIOUTFXG	4800-OLBF	\$28,809.00
8-475DA	Reduced Principle Detector Assy, N-Pattern, Flanged OSY x Flanged OSY	4800-OLBF	\$59,151.00
8-475DABF	Flanged BF x Flanged BF	4800-OLBF	\$66,164.00
8-475DABG	8" 475DA W/ BFLY VLVS	4800-OLBF	\$65,119.00
8-475DACFM	Reduced Principle Detector Assy, N-Pattern, Flanged OSY x Flanged OSY, CFM Meter	4800-OLBF	\$59,151.00
8-475DACFMBF	8" 475 RPDA DI Body N pattern CU Ft Mtr Bfly FLG X FLG	4800-OLBF	\$66,164.00
8-475DACFMBG	8" 475DABG W/CFM METER	4800-OLBF	\$65,119.00
8-475DACFMG	Reduced Principle Detector Assy, N-Pattern, Grooved OSY x Grooved OSY, CFM Meter	4800-OLBF	\$59,151.00
8-475DAG	Reduced Principle Detector Assy, N-Pattern, Grooved OSY x Grooved OSY	4800-OLBF	\$59,151.00
8-475DAL	Reduced Principle Detector Assy, N-Pattern, Grooved x Grooved, Less Gate Valves	4800-OLBF	\$49,381.00
8-475DALLM	Reduced Principle Detector Assy, N-Pattern, Grooved x Grooved, Less Gate Valves, Less Meter	4800-OLBF	\$48,585.00
8-475DALM	Reduced Principle Detector Assy, N-Pattern, Flanged OSY x Flanged OSY, Less Meter	4800-OLBF	\$58,357.00
8-475DALMG	Reduced Principle Detector Assy, N-Pattern, Grooved OSY x Grooved OSY, Less Meter	4800-OLBF	\$58,357.00
8-475DALMNYC	8" 475DA W/OSY GV L/MTR NYC8"475DAWOSYGLMTRNYC	4800-OLBF	\$66,599.00
8-475DAV	Reduced Principle Detector Assy, Vertical, Flanged OSY x Flanged OSY	4800-OLBF	\$59,151.00
8-475DAVBF	Flanged BF x Flanged BF	4800-OLBF	\$66,164.00
8-475DAVBFG	8" 475 RPDA DI Body Vert Gal Mtr Bfly FLG X GRV	4800-OLBF	\$64,634.00
8-475DAVBG	8" 475DAV W/BFY VALVE	4800-OLBF	\$65,119.00
8-475DAVCFM	Reduced Principle Detector Assy, Vertical, Flanged OSY x Flanged OSY, CFM Meter	4800-OLBF	\$59,151.00
8-475DAVFG	Reduced Principle Detector Assy, Vertical, Flanged OSY x Grooved OSY	4800-OLBF	\$59,151.00
8-475DAVG	Reduced Principle Detector Assy, Vertical, Grooved OSY x Grooved OSY	4800-OLBF	\$59,151.00
8-475DAVL	Grooved x Grooved, Less Gate Valves	4800-OLBF	\$49,381.00
8-475DAVLMNYC	8" 475DAV L/MTR NEW YORK L.F.8"475DAVLMTRNEWYORKL	4800-OLBF	\$66,599.00
8-475DAVLMNYCG	8" 475DAV L/MTR NEW YORK GXG	4800-OLBF	\$63,387.00
RK3-475DA-BP-LM	REPAIR KIT, BY-PASS ASSY. 2-1/2" - 3" 475DA LESS METER	4800-PART	\$2,176.00
RK8-475DA-BP-LM	REPAIR KIT, BY-PASS ASSY. 8" 475DA LESS METER	4800-PART	\$3,099.00
10-475STBF	10" 475 RP SS Body N pattern Bfly Gates FLG X FLG	4800-OLBF	\$86,795.00
10-475STBG	10" 475 RP SS Body N pattern Bfly Gates GRV X GRV	4800-OLBF	\$86,235.00
4-475ST	4" 475 RP SS Body N pattern NRS Gates FLG X FLG	4800-OLBF	\$19,791.00
4-475STBG	4" 475 RP SS Body N pattern Bfly Gates GRV X GRV	4800-OLBF	\$20,041.00
4-475STDABG	4" 475 RPDA SS BODY BFLY GRV X GRV	4800-OLBF	\$25,683.00
4-475STDACFM	4" 475 RPDA SS Body N pattern CU Ft Mtr OSY Gates FLG X FLG	4800-OLBF	\$25,375.00
4-475STDAVG	4" 475 RPDA SS BODY VERT GRV X GRV	4800-OLBF	\$25,375.00
4-475STVAG	4" 475 RP SS BODY VERT GRV X GRV w/ Air Gap	4800-OLBF	\$20,307.00
4-475STVFG	4" 475 RP SS BODY VERT GRV X FLG	4800-OLBF	\$19,791.00
4-475STVOSY	4" 475 RP SS Body N pattern Vert OSY Gates FLG X FLG	4800-OLBF	\$20,692.00
4-475STV-RV	4" 475 RP SS Body Vert NRS Gates FLG X FLG Reverse	4800-OLBF	\$19,791.00
6-475ST	6" 475 RP SS Body N pattern NRS Gates FLG X FLG	4800-OLBF	\$29,941.00
6-475STBF	6" 475 RP SS Body N pattern Bfly Gates FLG X FLG	4800-OLBF	\$31,371.00
6-475STBG	6" 475 RP SS Body N pattern Bfly Gates GRV X GRV	4800-OLBF	\$30,923.00
6-475STBG-RV	6" 475 RP SS Body N pattern Bfly Gates GRV X GRV Rev	4800-OLBF	\$30,923.00
6-475STDA-RV	6" 475 RPDA Reverse By-pass SS Body N pattern Gal Mtr OSY Gates FLG X FLG	4800-OLBF	\$36,136.00
6-475STDARVBG	6" 475 RPDA SS Body Vert Bfly Grv X Grv	4800-OLBF	\$36,574.00
6-475STRV	6" 475 RP SS Body Vert W/spool NRS Gates FLG X FLG	4800-OLBF	\$29,941.00
6-475STV	6" 475 RP SS Body Vert NRS Gates FLG X FLG	4800-OLBF	\$29,941.00
6-475STVBFG	6" 475 RP SS Body N pattern Vert Bfly Grv X Grv	4800-OLBF	\$34,144.00
6-475STVBG	6" 475 RP SS Body N pattern Vert Bfly Grv X Grv	4800-OLBF	\$30,923.00
6-475STVOSY	6" 475 RP SS Body N pattern Vert OSY Gates FLG X FLG	4800-OLBF	\$32,098.00
6-475STVOSYFG	6" 475 RP SS Body N Pattern Vert OSY Gates FLG X GRV	4800-OLBF	\$32,098.00
8-450STBG	8" 450 DC SS BODY BFLY GRV X GRV	4800-OLBF	\$44,539.00
8-475STBF	8" 475 RP SS Body N pattern Bfly Gates FLG X FLG	4800-OLBF	\$61,811.00
8-475STBG	8" 475 RP SS Body N pattern Bfly Gates GRV X GRV	4800-OLBF	\$61,283.00
8-475STV	8" 475 RP SS Body Vert NRS Gates FLG X FLG	4800-OLBF	\$59,381.00
RK4-475ST-RVELBOW	REPAIR KIT, 4" 475STR TO 475ST CONVERSION, REVERSE RV ELBOW WITH HOSE	4800-PART	\$230.00
RK4-RV475ST-HOSE	REPAIR KIT, RELIEF VALVE HOSE, 4" 475ST(DA)	4800-PART	\$208.00
RK6-475ST-RVELBOW	REPAIR KIT, 6" 475STR TO 475ST CONVERSION, REVERSE RV ELBOW WITH HOSE	4800-PART	\$230.00
RK6-RV475ST-HOSE	REPAIR KIT, RELIEF VALVE HOSE, 6" 475ST(DA)	4800-PART	\$238.00
RK8-475ST-RVELBOW	REPAIR KIT, 8" 475STR TO 475ST CONVERSION, REVERSE RV ELBOW WITH HOSE	4800-PART	\$345.00
10-475STDABF	10" 475 RPDA SS Body N pattern BFLY FLG X FLG	4800-OLBF	\$88,671.00
10-475STDANRS-LV	10" 475 RPDA SS Body N pattern NRS Gates FLG X FLG LAS VEGAS ONLY	4800-OLBF	\$88,671.00
10-475STDARLM	10" 475 RPDA SS Body N pattern W/spool OSY Gates FLG X FLG Less Mtr	4800-OLBF	\$89,573.00
4-475STDACFMBG	4" 475 RPDA SS Body N pattern CU Ft Mtr Bfly GRV X GRV	4800-OLBF	\$25,689.00

4-475STDALM	4" 475 RPDA SS Body N Pattern Less Mtr OSY Gates Flng X Flng	4800-OLBF	\$24,446.00
4-475STDANRS-LV	4" 475 RPDA SS Body N pattern NRS Gates FLG X FLG LAS VEGAS ONLY	4800-OLBF	\$25,375.00
4-475STDARNRS-LV	4" 475 RPDA SS Body N pattern W/spool NRS Gates FLG X FLG LAS VEGAS ONLY	4800-OLBF	\$25,375.00
4-475STDA-RV	4" 475 RPDA Reverse By-pass SS Body N pattern Gal Mtr OSY Gates FLG X FLG	4800-OLBF	\$25,375.00
4-475STDAV	4" 475 RPDA SS Body Vert OSY Gates FLG X FLG	4800-OLBF	\$25,375.00
4-475STDAVBG	4" 475 RPDA SS BODY VERT BFLY GRV X GRV	4800-OLBF	\$25,375.00
4-475STDAVCFM	4" 475 RPDA SS Body Vert OSY Gates FLG X FLG	4800-OLBF	\$24,280.00
4-475STDAVCFMBF	4" 475 RPDA SS Body Vert w/CFM Meter Bfly FLG X FLG	4800-OLBF	\$27,012.00
4-475STDAVCFMBG	4" 475 RPDA SS BODY VERT W/ CFM Meter BFLY GRV X GRV	4800-OLBF	\$25,375.00
4-475STDAV-RV	4" 475 RPDA SS Body Vert OSY Gates Flng X Flng Reverse Bypass	4800-OLBF	\$25,375.00
4-475STL	4" 475 RP SS Body N Pattern Less Shutoff No Approvals, NZ Only No Inlet TC	4800-OLBF	\$12,310.00
6-475STDAFB	6" 475 RPDA SS Body N pattern Bfly valves FLG X FLG	4800-OLBF	\$36,134.00
6-475STDABG	6" 475 RPDA SS BODY BFLY GRV X GRV	4800-OLBF	\$37,512.00
6-475STDACFM	6" 475 RPDA SS Body N pattern CU Ft Mtr OSY Gates FLG X FLG	4800-OLBF	\$36,134.00
6-475STDACFMBG	6" 475 RPDA SS Body N pattern CU Ft Mtr Bfly GRV X GRV	4800-OLBF	\$45,195.00
6-475STDAG	6" 475 RPDA SS Body N Pattern OSY Gates Grv X Grv	4800-OLBF	\$36,136.00
6-475STDALMBF	6" 475 RPDA SS Body N Pattern Less Mtr Bfly Flg X Flg	4800-OLBF	\$44,408.00
6-475STDANRS-LV	6" 475 RPDA SS Body N pattern NRS Gates FLG X FLG LAS VEGAS ONLY	4800-OLBF	\$36,134.00
6-475STDARCFM	6" 475 RPDA SS Body N pattern W/spool CU Ft Mtr OSY Gates FLG X FLG	4800-OLBF	\$36,500.00
6-475STDARNRS-LV	6" 475 RPDA SS Body N pattern W/spool NRS Gates FLG X FLG LAS VEGAS ONLY	4800-OLBF	\$36,134.00
6-475STDAV	6" 475 RPDA SS Body Vert OSY Gates FLG X FLG	4800-OLBF	\$36,134.00
6-475STDAVBF	6" 475 RPDA SS BODY VERT BFLY FLG X FLG	4800-OLBF	\$36,134.00
6-475STDAVBG	6" 475 RPDA SS BODY VERT BFLY GRV X GRV	4800-OLBF	\$43,462.00
6-475STDAVLMBG	6" 475 RPDA SS Body Vert Less Mtr Bfly GRV X GRV	4800-OLBF	\$44,408.00
8-475STDABG	8" 475 RPDA SS BODY BFLY GRV X GRV	4800-OLBF	\$72,478.00
8-475STDACFM-RV	8" 475 RPDA SS Body N Pattern CU Ft Mtr OSY Gates Flng X Flng Rev Bypass	4800-OLBF	\$69,103.00
8-475STDALM	8" 475 RpdA SS Body N Pattern Less Mtr OSY Gates Flng X Flng	4800-OLBF	\$72,567.00
8-475STDANRS-LV	8" 475 RPDA SS Body N pattern NRS Gates FLG X FLG LAS VEGAS ONLY	4800-OLBF	\$64,217.00
8-475STDAP1	8" 475 RPDA SS Body N pattern NRS Gates Post Indicator FLG X FLG	4800-OLBF	\$65,461.00
8-475STDARLM	8" 475 RPDA SS Body N pattern W/spool OSY Gates FLG X FLG Less Mtr	4800-OLBF	\$64,667.00
8-475STDARNRS-LV	8" 475 RPDA SS Body N pattern W/spool NRS Gates FLG X FLG LAS VEGAS ONLY	4800-OLBF	\$64,217.00
8-475STDAV	8" 475 RPDA SS Body Vert OSY Gates FLG X FLG	4800-OLBF	\$64,217.00
8-475STDAVBF	8" 475 RPDA SS Body Vert Bfly FLG X FLG	4800-OLBF	\$70,191.00
8-475STDAVBG	8" 475 RPDA SS BODY VERT BFLY GRV X GRV	4800-OLBF	\$70,191.00
8-475STDAVG	8" 475 RPDA SS BODY VERT GRV X GRV	4800-OLBF	\$64,217.00
RK6-475STDA-BP-LM	REPAIR KIT, BY-PASS ASSY. 6" 475STDA LESS METER	4800-PART	\$2,837.00
RK8-475STDA-BP-LM	REPAIR KIT, BY-PASS ASSY. 8" 475STDA LESS METER	4800-PART	\$2,901.00
10-475STDA-BP-LM	REPAIR KIT, CHECK ASSY. 4" 475STDA/450STDA #2	4800-PART	\$812.00
10-475STR	10" 475 RP SS N pattern W/spool NRS Gates FLG X FLG	4800-OLBF	\$83,093.00
RK10-475STR-RVELBOW	REPAIR KIT, 10" 475STR TO 475STR CONVERSION, REVERSE RV ELBOW WITH HOSE AND SPOOL	4800-PART	\$1,563.00
RK10-475ST-RVELBOW	REPAIR KIT, 10" 475STR TO 475ST CONVERSION, REVERSE RV ELBOW WITH HOSE	4800-PART	\$345.00
RK4-475STR-RVELBOW	REPAIR KIT, 4" 475STR TO 475STR CONVERSION, REVERSE RV ELBOW WITH HOSE AND SPOOL	4800-PART	\$500.00
RK6-475STR-RVELBOW	REPAIR KIT, 6" 475STR TO 475STR CONVERSION, REVERSE RV ELBOW WITH HOSE AND SPOOL	4800-PART	\$500.00
RK8-475STR-RVELBOW	REPAIR KIT, 8" 475STR TO 475STR CONVERSION, REVERSE RV ELBOW WITH HOSE AND SPOOL	4800-PART	\$1,563.00
10-475STVOSY	10" 475 RP SS Body N pattern Vert OSY Gates FLG X FLG	4800-OLBF	\$86,268.00
10-475V	Reduced Pressure Principle Assy, Lead-Free, Vertical, Flanged NRS x Flanged NRS	4800-OLBF	\$74,574.00
10-475VL	Reduced Pressure Principle Assy, Lead-Free, Vertical, Grooved NRS x Grooved NRS, Less Gate Valves	4800-OLBF	\$54,723.00
10-475VOSY	Reduced Pressure Principle Assy, Lead-Free, Vertical, Flanged OSY x Flanged OSY	4800-OLBF	\$77,424.00
212-475V	Reduced Pressure Principle Assy, Lead-Free, Vertical, Flanged NRS x Flanged NRS	4800-OLBF	\$12,647.00
212-475VFG	Reduced Pressure Principle Assy, Lead-Free, Vertical, Flanged NRS x Grooved NRS	4800-OLBF	\$12,647.00
212-475VFSC	2-1/2" 475V W/NRS GV W/FSC212"475VWNRSGVWFSC	4800-OLBF	\$13,993.00
212-475VVG	Reduced Pressure Principle Assy, Lead-Free, Vertical, Grooved NRS x Grooved NRS	4800-OLBF	\$12,647.00
212-475VNRSBFG	2-1/2" 475 RP VERT NRS X BFLY FLG X GRV	4800-OLBF	\$15,647.00
212-475VOSY	Reduced Pressure Principle Assy, Lead-Free, Vertical, Flanged OSY x Flanged OSY	4800-OLBF	\$13,707.00
212-475VOSYFG	Reduced Pressure Principle Assy, Lead-Free, Vertical, Flanged OSY x Grooved OSY	4800-OLBF	\$13,707.00
212-475VOSYV	Reduced Pressure Principle Assy, Lead-Free, Vertical, Grooved OSY x Grooved OSY	4800-OLBF	\$13,707.00
212-475VOSYGF	Reduced Pressure Principle Assy, Lead-Free, Vertical, Grooved OSY x Flanged OSY	4800-OLBF	\$13,707.00
212-475VPIBFG	2-1/2" 475 RP DI Body Vert Post Ind X Bfly Flng X Grv	4800-OLBF	\$17,287.00
212-475VPIOSY	2-1/2" 475V W/PI X OSY LEAD FREE212"475VWPIOSYLEAD	4800-OLBF	\$13,707.00
3-475V	Reduced Pressure Principle Assy, Lead-Free, Vertical, Flanged NRS x Flanged NRS	4800-OLBF	\$13,773.00
3-475VFG	Reduced Pressure Principle Assy, Lead-Free, Vertical, Flanged NRS x Grooved NRS	4800-OLBF	\$13,773.00
3-475VFSC	3" 475V W/NRS GV W/FSC3"475VWNRSGVWFSC	4800-OLBF	\$15,409.00
3-475VVG	Reduced Pressure Principle Assy, Lead-Free, Vertical, Grooved NRS x Grooved NRS	4800-OLBF	\$13,773.00
3-475VL	Reduced Pressure Principle Assy, Lead-Free, Vertical, Grooved NRS x Grooved NRS, Less Gate Valves	4800-OLBF	\$9,825.00

3-475VOSY	Reduced Pressure Principle Assy, Lead-Free, Vertical, Flanged OSY x Flanged OSY	4800-0LBF	\$14,555.00
3-475VOSYFG	Reduced Pressure Principle Assy, Lead-Free, Vertical, Flanged OSY x Grooved OSY	4800-0LBF	\$14,555.00
3-475VOSYVG	Reduced Pressure Principle Assy, Lead-Free, Vertical, Grooved OSY x Grooved OSY	4800-0LBF	\$14,555.00
3-475VOSYVGF	Reduced Pressure Principle Assy, Lead-Free, Vertical, Grooved OSY x Flanged OSY	4800-0LBF	\$14,555.00
4-475SVT	4" 475 RP SS Body Vert NRS Gates FLG X FLG	4800-0LBF	\$19,791.00
4-475SVTBG	4" 475 RP SS Body Vert Bfly GRV X GRV	4800-0LBF	\$20,042.00
4-475V	Reduced Pressure Principle Assy, Lead-Free, Vertical, Flanged NRS x Flanged NRS	4800-0LBF	\$17,768.00
4-475VFG	Reduced Pressure Principle Assy, Lead-Free, Vertical, Flanged NRS x Grooved NRS	4800-0LBF	\$17,768.00
4-475VFSC-AG	4" 475 RP DI Body Vert NRS Gates FLG Strmr FLG X FLG W/ AIR GAP	4800-0LBF	\$20,946.00
4-475VG	Reduced Pressure Principle Assy, Lead-Free, Vertical, Grooved NRS x Grooved NRS	4800-0LBF	\$17,768.00
4-475VGF	Reduced Pressure Principle Assy, Lead-Free, Vertical, Grooved NRS x Flanged NRS	4800-0LBF	\$17,768.00
4-475VL	Reduced Pressure Principle Assy, Lead-Free, Vertical, Grooved NRS x Grooved NRS, Less Gate Valves	4800-0LBF	\$12,341.00
4-475VOSY	Reduced Pressure Principle Assy, Lead-Free, Vertical, Flanged OSY x Flanged OSY	4800-0LBF	\$18,574.00
4-475VOSYFG	Reduced Pressure Principle Assy, Lead-Free, Vertical, Flanged OSY x Grooved OSY	4800-0LBF	\$18,574.00
4-475VOSYVG	Reduced Pressure Principle Assy, Lead-Free, Vertical, Grooved OSY x Grooved OSY	4800-0LBF	\$18,574.00
4-475VOSYVGF	Reduced Pressure Principle Assy, Lead-Free, Vertical, Grooved OSY x Flanged OSY	4800-0LBF	\$18,574.00
4-475VOSYNRS	4" 475V W/OSY/NRS LEAD FREE	4800-0LBF	\$20,724.00
4-475VOSYPI	Reduced Pressure Principle Assy, Lead-Free, Vertical, Flanged OSY x Flanged PI	4800-0LBF	\$18,574.00
4-475VPIOSY	Reduced Pressure Principle Assy, Lead-Free, Vertical, Flanged PI x Flanged OSY	4800-0LBF	\$18,574.00
6-475V	Reduced Pressure Principle Assy, Lead-Free, Vertical, Flanged NRS x Flanged NRS	4800-0LBF	\$26,870.00
6-475VFG	Reduced Pressure Principle Assy, Lead-Free, Vertical, Flanged NRS x Grooved NRS	4800-0LBF	\$26,870.00
6-475VG	Reduced Pressure Principle Assy, Lead-Free, Vertical, Grooved NRS x Grooved NRS	4800-0LBF	\$26,870.00
6-475VGF	Reduced Pressure Principle Assy, Lead-Free, Vertical, Grooved NRS x Flanged NRS	4800-0LBF	\$26,870.00
6-475VL	Reduced Pressure Principle Assy, Lead-Free, Vertical, Grooved NRS x Grooved NRS, Less Gate Valves	4800-0LBF	\$18,921.00
6-475VOSY	Reduced Pressure Principle Assy, Lead-Free, Vertical, Flanged OSY x Flanged OSY	4800-0LBF	\$28,809.00
6-475VOSYFG	Reduced Pressure Principle Assy, Lead-Free, Vertical, Flanged OSY x Grooved OSY	4800-0LBF	\$28,809.00
6-475VOSYVG	Reduced Pressure Principle Assy, Lead-Free, Vertical, Grooved OSY x Grooved OSY	4800-0LBF	\$28,809.00
6-475VOSYVGF	Reduced Pressure Principle Assy, Lead-Free, Vertical, Grooved OSY x Flanged OSY	4800-0LBF	\$28,809.00
6-475VOSYNRS	6" 475V W/OSY AND NRS GV LEAD FREE	4800-0LBF	\$31,813.00
6-475VOSYPIFG	6" 475V OSY GXF W/POST INDICATOR GXG6"475VOSYXGFWPOSTIND	4800-0LBF	\$28,809.00
6-475VPIOSYFG	6" 475V W/PI / OSY FXG LEAD FREE6"475VWPIOSYFXGLEAD	4800-0LBF	\$28,809.00
8-475V	Reduced Pressure Principle Assy, Lead-Free, Vertical, Flanged NRS x Flanged NRS	4800-0LBF	\$53,292.00
8-475VFG	Reduced Pressure Principle Assy, Lead-Free, Vertical, Flanged NRS x Grooved NRS	4800-0LBF	\$53,292.00
8-475VL	Reduced Pressure Principle Assy, Lead-Free, Vertical, Grooved NRS x Grooved NRS, Less Gate Valves	4800-0LBF	\$43,842.00
8-475VOSY	Reduced Pressure Principle Assy, Lead-Free, Vertical, Flanged OSY x Flanged OSY	4800-0LBF	\$54,353.00
8-475VOSYFG	Reduced Pressure Principle Assy, Lead-Free, Vertical, Flanged OSY x Grooved OSY	4800-0LBF	\$53,292.00
8-475VOSYVG	Reduced Pressure Principle Assy, Lead-Free, Vertical, Grooved OSY x Grooved OSY	4800-0LBF	\$53,292.00
2-48BR	OSY Gate Valve, FNPT x FNPT, Bronze	4800-0MWS	\$318.00
10-48OSY	OSY Gate Valve, Flanged x Flanged	4800-00GV	\$11,124.00
10-48OSYVG	OSY Gate Valve, Grooved x Grooved	4800-00GV	\$11,124.00
10-48OSYVGF	GATE VALVE, 10" OSY GXG W/SS STM&TRIMGATEVALVE10" OSYXGKWS	4800-00GV	\$12,460.00
10-48OSYXGF	OSY Gate Valve, Grooved x Flanged	4800-00GV	\$11,124.00
10-48OSYXGFST	GATE VALVE, 10" OSY GXF W/SS STM&TRIMGATEVALVE10" OSYXGFWS	4800-00GV	\$12,460.00
10-48OSYRH	OSY Gate Valve, Flanged x Flanged, Right Hand, Domestic	4800-00GV	\$12,350.00
112-48OSY	OSY Gate Valve, FNPT x FNPT, Bronze	4800-0MWS	\$2,284.00
114-48OSY	OSY Gate Valve, FNPT x FNPT, Bronze	4800-0MWS	\$1,784.00
12IN-48OSY	OSY Gate Valve, Flanged x Flanged	4800-00GV	\$17,882.00
12IN-48OSYST	GATE VALVE, 12" OS&Y W/SS STM & TRIM	4800-00GV	\$19,850.00
1-48OSY	OSY Gate Valve, FNPT x FNPT, Bronze	4800-0MWS	\$1,726.00
212-48OSY	OSY Gate Valve, Flanged x Flanged	4800-00GV	\$2,718.00
212-48OSYVG	OSY Gate Valve, Grooved x Grooved	4800-00GV	\$2,718.00
212-48OSYVGF	GATE VALVE, 2-1/2" OSY GXG W/SS STM&TRIMGATEVALVE212" OSYXGKGW	4800-00GV	\$3,123.00
212-48OSYXGF	OSY Gate Valve, Grooved x Flanged	4800-00GV	\$2,718.00
212-48OSYXGFST	GATE VALVE, 2-1/2" OSY GXF W/SS STM&TRIMGATEVALVE212" OSYXGFWS	4800-00GV	\$3,123.00
2-48OSY	OSY Gate Valve, FNPT x FNPT, Bronze	4800-0MWS	\$3,054.00
2-48OSYCI	OSY Gate Valve, FNPT x FNPT, Iron	4800-0MWS	\$3,028.00
2-48OSYCIIT	OSY Gate Valve, FNPT x FNPT, Iron, Tapped	4800-0MWS	\$3,028.00
2-48OSYCIIRH	GATE VALVE, 2" OSY THD, TAP IRON RIGHT HAND	4800-0MWS	\$3,028.00
34-48OSY	OSY Gate Valve, FNPT x FNPT, Bronze	4800-0MWS	\$1,671.00
3-48OSY	OSY Gate Valve, Flanged x Flanged	4800-00GV	\$3,062.00
3-48OSYVG	OSY Gate Valve, Grooved x Grooved	4800-00GV	\$3,062.00
3-48OSYVGF	GATE VALVE, 3" OSY GXG W/SS STM&TRIMGATEVALVE3" OSYXGKWS	4800-00GV	\$3,507.00

3-48OSYXGF	OSY Gate Valve, Grooved x Flanged	4800-00GV	\$3,062.00
3-48OSYXGFST	GATE VALVE, 3" OSY GXF W/SS STM&TRIMGATEVALVE3" OSYXGKWS	4800-00GV	\$3,507.00
3-48OSYRH	OSY Gate Valve, Flanged x Flanged, Right Hand	4800-00GV	\$3,399.00
4-48OSY	OSY Gate Valve, Flanged x Flanged	4800-00GV	\$3,304.00
4-48OSYVG	OSY Gate Valve, Grooved x Grooved	4800-00GV	\$3,304.00
4-48OSYVGF	GATE VALVE, 4" OSY GXG W/SS STM&TRIMGATEVALVE4" OSYXGKWS	4800-00GV	\$3,780.00
4-48OSYXGF	OSY Gate Valve, Grooved x Flanged	4800-00GV	\$3,304.00
4-48OSYXGFST	GATE VALVE, 4" OSY GXF W/SS STM&TRIMGATEVALVE4" OSYXGFWS	4800-00GV	\$3,780.00
4-48OSYRH	OSY Gate Valve, Flanged x Flanged, Right Hand	4800-00GV	\$3,430.00
6-48OSY	OSY Gate Valve, Flanged x Flanged	4800-00GV	\$5,181.00
6-48OSYVG	OSY Gate Valve, Grooved x Grooved	4800-00GV	\$5,181.00
6-48OSYVGF	GATE VALVE, 6" OSY GXG W/SS STM&TRIMGATEVALVE6" OSYXGKWS	4800-00GV	\$5,862.00
6-48OSYXGF	OSY Gate Valve, Grooved x Flanged	4800-00GV	\$5,181.00
6-48OSYXGFST	GATE VALVE, 6" OSY GXF W/SS STM&TRIMGATEVALVE6" OSYXGFWS	4800-00GV	\$5,862.00
6-48OSYRH	OSY Gate Valve, Flanged x Flanged, Right Hand	4800-00GV	\$5,369.00
8-48OSY	OSY Gate Valve, Flanged x Flanged	4800-00GV	\$8,197.00
8-48OSYVG	OSY Gate Valve, Grooved x Grooved	4800-00GV	\$8,197.00
8-48OSYVGF	GATE VALVE, 8" OSY GXG W/SS STM&TRIMGATEVALVE8" OSYXGKWS	4800-00GV	\$9,207.00
8-48OSYXGF	OSY Gate Valve, Grooved x Flanged	4800-00GV	\$8,197.00
8-48OSYXGFST	GATE VALVE, 8" OSY GXF W/SS STM&TRIMGATEVALVE8" OSYXGFWS	4800-00GV	\$9,207.00
8-48OSYRH	OSY Gate Valve, Flanged x Flanged, Right Hand	4800-00GV	\$8,500.00
10-48PIV	Post Indicator Gate Valve, Flanged x Flanged	4800-00GV	\$12,350.00
10-48PIVNG	Post Indicator Gate Valve, Grooved x Grooved	4800-00GV	\$12,350.00
10-48PIVXGF	Post Indicator Gate Valve, Grooved x Flanged	4800-00GV	\$12,350.00
12IN-48PIV	GATE VALVE, 12" NRS W/PI FXFGATEVALVE12" NRSWPIFX	4800-00GV	\$17,882.00
212-48PIV	Post Indicator Gate Valve, Flanged x Flanged	4800-00GV	\$3,018.00
212-48PIVNG	Post Indicator Gate Valve, Grooved x Grooved	4800-00GV	\$3,018.00
212-48PIVXGF	Post Indicator Gate Valve, Grooved x Flanged	4800-00GV	\$3,018.00
3-48PIV	Post Indicator Gate Valve, Flanged x Flanged	4800-00GV	\$3,399.00
3-48PIVNG	Post Indicator Gate Valve, Grooved x Grooved	4800-00GV	\$3,399.00
3-48PIVXGF	Post Indicator Gate Valve, Grooved x Flanged	4800-00GV	\$3,399.00
4-48PIV	Post Indicator Gate Valve, Flanged x Flanged	4800-00GV	\$3,670.00
4-48PIVNG	Post Indicator Gate Valve, Grooved x Grooved	4800-00GV	\$3,670.00
4-48PIVXGF	Post Indicator Gate Valve, Grooved x Flanged	4800-00GV	\$3,670.00
6-48PIV	Post Indicator Gate Valve, Flanged x Flanged	4800-00GV	\$5,752.00
6-48PIVNG	Post Indicator Gate Valve, Grooved x Grooved	4800-00GV	\$5,752.00
6-48PIVXGF	Post Indicator Gate Valve, Grooved x Flanged	4800-00GV	\$5,752.00
8-48PIV	Post Indicator Gate Valve, Flanged x Flanged	4800-00GV	\$9,099.00
8-48PIVNG	Post Indicator Gate Valve, Grooved x Grooved	4800-00GV	\$9,099.00
8-48PIVXGF	Post Indicator Gate Valve, Grooved x Flanged	4800-00GV	\$9,099.00
1-48BRSS	1" BFLY W/SUPER SWITCH(1" BFLY W/SUPER SWITCH	4800-0MWS	\$1,880.00
212-500FCHLRBP-BS10	2-1/2" 500FCHLRBP, BS10 FLANGE212" 500FCHLRBPBS10FL	4800-0PRV	\$8,795.00
3-500FCHLRBP-BS10	3" 500FCHLRBP, BS10 FLANGE3" 500FCHLRBPBS10FLAN	4800-0PRV	\$14,609.00
112-500XLC	Pressure Reducing Valve, Lead-Free, FNPT Union x FNPT	4800-0PRV	\$3,996.00
112-500XLC	Pressure Reducing Valve, Lead-Free, Female CU SWT Union x FNPT	4800-0PRV	\$4,038.00
112-500XLCPL	1-1/2" 500XLC, CXC, PLUGGED	4800-0PRV	\$4,110.00
112-500XLCG	Pressure Reducing Valve, Lead-Free, FNPT Union x FNPT, Gauge	4800-0PRV	\$4,110.00
112-500XLHLR	Pressure Reducing Valve, Lead-Free, FNPT Union x FNPT, Hi-Lo Pressure 10-125 psi, Set 50 psi	4800-0PRV	\$4,402.00
112-500XLHLRC	1-1/2" 500XLC HI LO W/FC LEAD FREE112" 500XLHILOWFCLEAD	4800-0PRV	\$4,436.00
112-500XLHLRHTSTSC	1-1/2" 500XLHLR W/HTSTSC	4800-0PRV	\$5,201.00
112-500XLHLRSC	1 1/2" 500XL PRV HI LO RING W/SEALED CAGE	4800-0PRV	\$4,603.00
112-500XLHLRSCG	1-1/2" 500XL PRV HI LO RING, SEALED CAGE W/GAUGE LEAD FREE	4800-0PRV	\$4,716.00
112-500XLHLRSCYSBRP	1-1/2" 500 PRV 10-125 PSI Union Inlet Femx Fem NPT SS Trim w/Stnr Tap For Gauge	4800-0PRV	\$5,338.00
112-500XLHLRSW	1-1/2" 500XLHLR SALTWATER LEAD FREE112" 500XLHLRSALTWATE	4800-0PRV	\$4,963.00
112-500XLHR	Pressure Reducing Valve, Lead-Free, FNPT Union x FNPT, Hi Pressure 75-125 psi, Set 85 psi	4800-0PRV	\$4,279.00
112-500XLHRG	1-1/2" 500XLC HI RING W/GAUGE LEAD FREE112" 500XLHIRINGWGAUGE	4800-0PRV	\$4,388.00
112-500XLHRHTSTSC	1-1/2" 500XLHR W/HTSTSC112" 500XLHRWHTSTSC	4800-0PRV	\$5,075.00
112-500XLHRP	1-1/2" 500XLC HI RING W/PLUG LEAD FREE	4800-0PRV	\$4,350.00
112-500XLHTSTSC	Pressure Reducing Valve, Lead-Free, FNPT Union x FNPT, Hot Water Service, 180 °F	4800-0PRV	\$4,795.00
112-500XLL	1-1/2" 500XLC L/BYPASS LEAD FREE112" 500XLLBYPASSLEAD	4800-0PRV	\$4,855.00
112-500XLLC	1 1/2" 500XLC W/LESS BY-PASS STEM & CXC LF	4800-0PRV	\$4,234.00
112-500XLLPV	Pressure Reducing Valve, Lead-Free, FNPT Union x FNPT, Lo Pressure 10-35 psi, Set 20 psi, Hi Temp 180 °F	4800-0PRV	\$5,055.00
112-500XLLPVSBR	1-1/2" 500XLC RVP LPV W/SXL STRAINER LEAD FREE	4800-0PRV	\$5,716.00
112-500XLP	Pressure Reducing Valve, Lead-Free, FNPT Union x FNPT, Plug	4800-0PRV	\$4,065.00
112-500XLSC	Pressure Reducing Valve, Lead-Free, FNPT Union x FNPT, Sealed Cage, SS Adj Screw	4800-0PRV	\$4,200.00
112-500XLSG	1-1/2" 500XLSG, PLUGGED W/GAUGE	4800-0PRV	\$4,312.00
112-500XLSW	1-1/2" 500XLC SALTWATER LEAD FREE	4800-0PRV	\$4,557.00
114-500XLC	Pressure Reducing Valve, Lead-Free, FNPT Union x FNPT	4800-0PRV	\$2,515.00
114-500XLC	Pressure Reducing Valve, Lead-Free, Female CU SWT Union x FNPT	4800-0PRV	\$2,544.00
114-500XLCSC	1-1/4" 500XLC, CXC, SEALED CAGE	4800-0PRV	\$2,672.00
114-500XLCG	Pressure Reducing Valve, Lead-Free, FNPT Union x FNPT, Gauge	4800-0PRV	\$2,625.00
114-500XLHLR	Pressure Reducing Valve, Lead-Free, FNPT Union x FNPT, Hi-Lo Pressure 10-125 psi, Set 50 psi	4800-0PRV	\$2,771.00
114-500XLHLRC	1-1/4" 500XLHLR W/CXC LEAD FREE	4800-0PRV	\$2,798.00
114-500XLHLRHTSTSC	1-1/4" 500XL PRV HI LO RING HI TEMP SS SLD CAGE LEAD FREE	4800-0PRV	\$3,275.00

114-500XLHRHTSTSCG	1-1/4" 500XL PRV HI LO RING HI TEMP SS SLD CAGE W/ GAUGE LEAD FREE	4800-OPRV	\$3,386.00
114-500XLHR	Pressure Reducing Valve, Lead-Free, FNPT Union x FNPT, Hi Pressure 75-125 psi, Set 85 psi	4800-OPRV	\$2,697.00
114-500XLHRC	1-1/4" 500XLHR, SINGLE UN, CXC	4800-OPRV	\$2,724.00
114-500XLHRHTSTSC	1-1/4" 500XLHR W/HTSTSC14"500XLHRWHTSTSC	4800-OPRV	\$3,202.00
114-500XLHRP	1-1/4" 500XL HI RING W/PLUG LEAD FREE	4800-OPRV	\$2,763.00
114-500XLHTSTSC	Pressure Reducing Valve, Lead-Free, FNPT Union x FNPT, Hot Water Service, 180 °F	4800-OPRV	\$3,021.00
114-500XLLC	1 1/4" 500XL W/LESS BY-PASS STEM & CXC LF	4800-OPRV	\$2,672.00
114-500XLHLRHTSTSC	1-1/4" 500 PRV 10-125 PSI Unn Inlet FemxFem NPT SS trim 180F Les bypas Lead Free	4800-OPRV	\$3,275.00
114-500XLLPV	Pressure Reducing Valve, Lead-Free, FNPT Union x FNPT, Lo Pressure 10-35 psi, Set 20 psi, Hi Temp 180 °F	4800-OPRV	\$3,211.00
114-500XLP	Pressure Reducing Valve, Lead-Free, FNPT Union x FNPT, Plug	4800-OPRV	\$2,583.00
114-500XLS	Pressure Reducing Valve, Lead-Free, FNPT Union x FNPT, Sealed Cage, SS Adj Screw	4800-OPRV	\$2,644.00
12-500XL	Pressure Reducing Valve, Lead-Free, FNPT Union x FNPT	4800-OPRV	\$953.00
12-500XLC	Pressure Reducing Valve, Lead-Free, Female CU SWT Union x FNPT	4800-OPRV	\$958.00
12-500XLG	Pressure Reducing Valve, Lead-Free, FNPT Union x FNPT, Gauge	4800-OPRV	\$1,062.00
12-500XLHLR	Pressure Reducing Valve, Lead-Free, FNPT Union x FNPT, Hi-Lo Pressure 10-125 psi, Set 50 psi	4800-OPRV	\$1,044.00
12-500XLHRP	1/2" 500XLHR, PLUGGED	4800-OPRV	\$1,107.00
12-500XLHR	Pressure Reducing Valve, Lead-Free, FNPT Union x FNPT, Hi Pressure 75-125 psi, Set 85 psi	4800-OPRV	\$1,015.00
12-500XLHRHTSTSC	1/2" 500XLHR W/HTSTSC12"500XLHRWHTSTSC	4800-OPRV	\$1,202.00
12-500XLHTSTSC	Pressure Reducing Valve, Lead-Free, FNPT Union x FNPT, Hot Water Service, 180 °F	4800-OPRV	\$1,137.00
12-500XLHTSTSCG	1/2" 500 PRV 25-75 PSI Union Inlet Fem x Fem NPT SS trim 180F Lead Free W/Gauge	4800-OPRV	\$1,256.00
12-500XLHTSTSCP	1/2" 500XLHT W/SS TRIM, SEALED CAGE, W/PLUG LF	4800-OPRV	\$1,202.00
12-500XLHLRGC	1/2" 500XLHLR L/BYPASS W/GAUGE LEAD FREE12"500XLHLRCLBYPASS	4800-OPRV	\$1,202.00
12-500XLHLRCP	1/2" 500XLHLR L/BYPASS W/PLUG CXC LEAD FREE12"500XLHLRCLBYPASSWP	4800-OPRV	\$1,161.00
12-500XLLPV	Pressure Reducing Valve, Lead-Free, FNPT Union x FNPT, Lo Pressure 10-35 psi, Set 20 psi, Hi Temp 180 °F	4800-OPRV	\$1,019.00
12-500XLP	Pressure Reducing Valve, Lead-Free, FNPT Union x FNPT, Plug	4800-OPRV	\$1,015.00
12-500XLS	Pressure Reducing Valve, Lead-Free, FNPT Union x FNPT, Sealed Cage, SS Adj Screw	4800-OPRV	\$998.00
12-500XLSW	1/2" 500XL W/SALT WATER TRIM	4800-OPRV	\$1,078.00
1-500XL	Pressure Reducing Valve, Lead-Free, FNPT Union x FNPT	4800-OPRV	\$1,259.00
1-500XLC	Pressure Reducing Valve, Lead-Free, Female CU SWT Union x FNPT	4800-OPRV	\$1,273.00
1-500XLCG	1" 500XL RPY CXC W/GAUGE LEAD FREE	4800-OPRV	\$1,377.00
1-500XLCPLV	1" 500XCLPV W/LESS BY-PASS STEM1"500XCLPVWLESSBYP	4800-OPRV	\$1,430.00
1-500XLP	1" 500XL CXC, Tapped & Plugged	4800-OPRV	\$1,339.00
1-500XLG	Pressure Reducing Valve, Lead-Free, FNPT Union x FNPT, Gauge	4800-OPRV	\$1,370.00
1-500XLHLR	Pressure Reducing Valve, Lead-Free, FNPT Union x FNPT, Hi-Lo Pressure 10-125 psi, Set 50 psi	4800-OPRV	\$1,384.00
1-500XLHRC	1" 500XLHLR, CXC	4800-OPRV	\$1,398.00
1-500XLHRCP	1" 500XLHLR, CXC SU, PLUGGED1"500XLHRCCSUPLUGG	4800-OPRV	\$1,458.00
1-500XLHRCPVC	1" 500 PRV 10-125 PSI Union Inlet Fem CPVC x Fem NPT Lead Free	4800-OPRV	\$1,379.00
1-500XLHRG	1" 500XLHR W/GAUGE LEAD FREE1"500XLHRWGGAUGELEAD	4800-OPRV	\$1,493.00
1-500XLHRHTSTSC	1" 500XL PRV HI LO RING, HI TEMP SS SLD CAGE, LEAD FREE	4800-OPRV	\$1,557.00
1-500XLHRP	1" 500XL HI LO W/PLUG LEAD FREE	4800-OPRV	\$1,449.00
1-500XLHRSC	Pressure Reducing Valve, Lead-Free, FNPT Union x FNPT, Hi-Lo Press 10-125 psi, Sealed Cage	4800-OPRV	\$1,449.00
1-500XLHR	Pressure Reducing Valve, Lead-Free, FNPT Union x FNPT, Hi Pressure 75-125 psi, Set 85 psi	4800-OPRV	\$1,348.00
1-500XLHRC	1" 500XL HI RANGE, SINGLE UN,CXC LEAD FREE	4800-OPRV	\$1,361.00
1-500XLHRHTSTSC	1" 500XLHR W/HTSTSC1"500XLHRWHTSTSC	4800-OPRV	\$1,596.00
1-500XLHRP	1" 500XL HI RING W/PLUG LEAD FREE	4800-OPRV	\$1,412.00
1-500XLHRSC	1" 500XL HI RING SEAL CAGE LEAD FREE1"500XLHRNGSEALCAGE	4800-OPRV	\$1,407.00
1-500XLHRWSC	1" 500XLHRSC SALTWATER LEAD FREE	4800-OPRV	\$1,582.00
1-500XLHTSTSC	Pressure Reducing Valve, Lead-Free, FNPT Union x FNPT, Hot Water Service, 180 °F	4800-OPRV	\$1,507.00
1-500XLHTSTSC	1" 500XL PRV HI LO RING SEALED CAGE W/ CXC LEAD FREE	4800-OPRV	\$1,572.00
1-500XLL	1" 500XL L/BYPASS LEAD FREE1"500XLLBYPASSLEADR	4800-OPRV	\$1,312.00
1-500XLLC	1" 500XL W/FC L/BYPASS LEAD FREE1"500XLWFCCLBYPASSLEA	4800-OPRV	\$1,329.00
1-500XLHLRHTSTSC	1" 500 PRV 10-125 PSI Union Inlet Fem x Fem NPT SS trim 180F Lead Free	4800-OPRV	\$1,647.00
1-500XLLPV	Pressure Reducing Valve, Lead-Free, FNPT Union x FNPT, Lo Pressure 10-35 psi, Set 20 psi, Hi Temp 180 °F	4800-OPRV	\$1,351.00
1-500XLLPV	1" 500XL LPV W/PLUG LEAD FREE	4800-OPRV	\$1,654.00
1-500XLP	Pressure Reducing Valve, Lead-Free, FNPT Union x FNPT, Plug	4800-OPRV	\$1,323.00
1-500XLS	Pressure Reducing Valve, Lead-Free, FNPT Union x FNPT, Sealed Cage, SS Adj Screw	4800-OPRV	\$1,321.00
1-500XLSG	1" 500XL PRV SEALED CAGE, W/GAUGE	4800-OPRV	\$1,428.00
1-500XLSW	1-500XL SALTWATER LEAD FREE	4800-OPRV	\$1,434.00
1-500XLSWSC	1" 500XL SALTWATER, SEAL CAGE LEAD FREE	4800-OPRV	\$1,498.00
212-500XL	Pressure Reducing Valve, Lead-Free, FNPT Union x FNPT	4800-OPRV	\$8,242.00
212-500XLG	Pressure Reducing Valve, Lead-Free, FNPT Union x FNPT, Gauge	4800-OPRV	\$8,348.00
212-500XLHLR	Pressure Reducing Valve, Lead-Free, FNPT Union x FNPT, Hi-Lo Pressure 10-125 psi, Field Set	4800-OPRV	\$9,065.00
212-500XLHRP	2 1/2" 500XL HI LO RING W/PLUG LEAD FREE	4800-OPRV	\$9,131.00
212-500XLHRWS	2-1/2" 500XLHR, W/SW TRIM	4800-OPRV	\$10,218.00

212-500XLHR	Pressure Reducing Valve, Lead-Free, FNPT Union x FNPT, Hi Pressure 75-125 psi, Field Set	4800-OPRV	\$8,817.00
212-500XLHRHTSTSC	2-1/2" 500XLHR W/HTSTSC212"500XLHRWHTSTSC	4800-OPRV	\$10,465.00
212-500XLHRP	2-1/2" 500XL HI RING W/ PLUG LEAD FREE	4800-OPRV	\$8,885.00
212-500XLHTSTSC	2 1/2" 500XLHT W/SS TRIM, SEALED CAGE212"500XLHTWSSTRIMSE	4800-OPRV	\$9,884.00
212-500XLLPV	Pressure Reducing Valve, Lead-Free, FNPT Union x FNPT, Lo Pressure 10-35 psi, Set 20 psi, Hi Temp 180 °F	4800-OPRV	\$8,859.00
212-500XLLPVYSBR	2-1/2" 500 PRV 10-35 PSI 180F Union Inlet Fem x Fem NPT w/Strainer Lead Free	4800-OPRV	\$10,593.00
212-500XLP	Pressure Reducing Valve, Lead-Free, FNPT Union x FNPT, Plug	4800-OPRV	\$8,305.00
212-500XLS	Pressure Reducing Valve, Lead-Free, FNPT Union x FNPT, Sealed Cage, SS Adj Screw	4800-OPRV	\$8,654.00
212-500XLSG	2-1/2" 500XL PRV SEALED CAGE & GAUGE LEAD FREE	4800-OPRV	\$8,762.00
2-500XLC	Pressure Reducing Valve, Lead-Free, FNPT Union x FNPT, Female CU SWT	4800-OPRV	\$4,688.00
2-500XLC	Pressure Reducing Valve, Lead-Free, Female CU SWT Union x FNPT	4800-OPRV	\$4,738.00
2-500XLP	Pressure Reducing Valve, Lead-Free, Female CU SWT Union x FNPT, Plugged	4800-OPRV	\$4,804.00
2-500XLG	Pressure Reducing Valve, Lead-Free, FNPT Union x FNPT, Gauge	4800-OPRV	\$4,804.00
2-500XLHLR	Pressure Reducing Valve, Lead-Free, FNPT Union x FNPT, Hi-Lo Pressure 10-125 psi, Set 50 psi	4800-OPRV	\$5,163.00
2-500XLHRC	2" 500XLHR SU W/CXC LEAD FREE	4800-OPRV	\$5,206.00
2-500XLHRHTSTSC	2-500XLHR W/HTSTSC2500XLHRWHTSTSC	4800-OPRV	\$6,096.00
2-500XLHRP	2" 500XL HI LO W/PLUG LEAD FREE	4800-OPRV	\$5,225.00
2-500XLHRSC	2" 500XLHR W/SEALED CAGE	4800-OPRV	\$5,395.00
2-500XLHR	Pressure Reducing Valve, Lead-Free, FNPT Union x FNPT, Hi Pressure 75-125 psi, Set 85 psi	4800-OPRV	\$5,022.00
2-500XLHRC	2" 500XL HI RING W/FC LEAD FREE2"500XLHRNGWFCLEADF	4800-OPRV	\$5,067.00
2-500XLHRCP	2" 500XL HI RING CXC W/PLUG LEAD FREE2"500XLHRNGCWPPLUG	4800-OPRV	\$5,131.00
2-500XLHRG	2" 500XL HR W/GAUGE LEAD FREE2"500XLHRWGGAUGELEAD	4800-OPRV	\$5,129.00
2-500XLHRHTSTSC	2" 500XLHR W/HTSTSC2"500XLHRWHTSTSC	4800-OPRV	\$5,958.00
2-500XLHRP	2" 500XL HI RING W/PLUG LEAD FREE	4800-OPRV	\$5,081.00
2-500XLHRSCP	2" 500XL HI RING, W/SEAL CAGE, PLUGGED LF	4800-OPRV	\$5,319.00
2-500XLHTSTSC	Pressure Reducing Valve, Lead-Free, FNPT Union x FNPT, Hot Water Service, 180 °F	4800-OPRV	\$5,631.00
2-500XLHTSTSCP	2" 500XLHT W/SS TRIM, SEALED CAGE, PLUGGED	4800-OPRV	\$5,691.00
2-500XLLC	2" 500XL W/LESS BY-PASS STEM & CXC LF	4800-OPRV	\$4,974.00
2-500XLHLRHTSTSC	2" 500 PRV 10-125 PSI Union Inlet Fem x Fem NPT SS trim 180F Les bypas Lead Free	4800-OPRV	\$6,096.00
2-500XLLPV	Pressure Reducing Valve, Lead-Free, FNPT Union x FNPT, Lo Pressure 10-35 psi, Set 20 psi, Hi Temp 180 °F	4800-OPRV	\$5,044.00
2-500XLLPVG	2" 500XL LPV W/GAUGE LEAD FREE2"500XLLPVWGGAUGELEAD	4800-OPRV	\$5,151.00
2-500XLP	Pressure Reducing Valve, Lead-Free, FNPT Union x FNPT, Plug	4800-OPRV	\$4,752.00
2-500XLS	Pressure Reducing Valve, Lead-Free, FNPT Union x FNPT, Sealed Cage, SS Adj Screw	4800-OPRV	\$4,923.00
2-500XLSG	2" 500XLS, PLUGGED W/GAUGE	4800-OPRV	\$5,028.00
2-500XLSW	2" 500XL SALT WATER LEAD FREE	4800-OPRV	\$5,348.00
3-500XL	Pressure Reducing Valve, Lead-Free, FNPT Union x FNPT	4800-OPRV	\$957.00
3-500XLC	Pressure Reducing Valve, Lead-Free, Female CU SWT Union x FNPT	4800-OPRV	\$964.00
3-500XLP	3/4" 500XL CXC, PLUGGED LEAD FREE	4800-OPRV	\$1,029.00
3-500XLPVC	CPVC Union x FNPT	4800-OPRV	\$964.00
3-500XLG	Pressure Reducing Valve, Lead-Free, FNPT Union x FNPT, Gauge	4800-OPRV	\$1,064.00
3-500XLHLR	Pressure Reducing Valve, Lead-Free, FNPT Union x FNPT, Hi-Lo Pressure 10-125 psi, Set 50 psi	4800-OPRV	\$1,054.00
3-500XLHRC	3/4" 500XL HI LO W/FC LEAD FREE34"500XLHILOWFCLEADF	4800-OPRV	\$1,063.00
3-500XLHRHTSTSC	3/4" 500XLHR W/HTSTSC	4800-OPRV	\$1,242.00
3-500XLHRP	3-500XL HI LO W/PLUG LEAD FREE34500XLHILOWPLUGLEAD	4800-OPRV	\$1,120.00
3-500XLHRSC	3/4" 500XL HI LO RING SEALED CAGE CXC LF34"500XLHIORNGSEALE	4800-OPRV	\$1,109.00
3-500XLHR	Pressure Reducing Valve, Lead-Free, FNPT Union x FNPT, Hi Pressure 75-125 psi, Set 85 psi	4800-OPRV	\$1,024.00
3-500XLHRHTSTSC	3/4" 500XLHR W/HTSTSC34"500XLHRWHTSTSC	4800-OPRV	\$1,212.00
3-500XLHRHTSTSCP	3/4" 500XLHRHTSTSC, PLUGGED	4800-OPRV	\$1,277.00
3-500XLHRP	3/4" 500XL HI RING W/PLUG LEAD FREE34"500XLHRNGWPLUGLE	4800-OPRV	\$1,087.00
3-500XLHTSTSC	Pressure Reducing Valve, Lead-Free, FNPT Union x FNPT, Hot Water Service, 180 °F	4800-OPRV	\$1,147.00
3-500XLHTSTSC	3/4" 500XL PRV HI LO RING SEALED CAGE W/ CXC LEAD FREE	4800-OPRV	\$1,194.00
3-500XLLC	3/4" 500XL W/LESS BY-PASS STEM & CXC LF	4800-OPRV	\$1,015.00
3-500XLLPV	Pressure Reducing Valve, Lead-Free, FNPT Union x FNPT, Lo Pressure 10-35 psi, Set 20 psi, Hi Temp 180 °F	4800-OPRV	\$1,027.00
3-500XLP	Pressure Reducing Valve, Lead-Free, FNPT Union x FNPT, Plug	4800-OPRV	\$1,019.00
3-500XLS	Pressure Reducing Valve, Lead-Free, FNPT Union x FNPT, Sealed Cage, SS Adj Screw	4800-OPRV	\$1,004.00
3-500XLSW	3/4" 500XL SALTWATER LEAD FREE	4800-OPRV	\$1,088.00
3-500XLSWSC	Pressure Reducing Valve, Lead-Free, FNPT Union x FNPT	4800-OPRV	\$10,570.00
3-500XLG	Pressure Reducing Valve, Lead-Free, FNPT Union x FNPT, Gauge	4800-OPRV	\$10,677.00
3-500XLHLR	Pressure Reducing Valve, Lead-Free, FNPT Union x FNPT, Hi-Lo Pressure 10-125 psi, Field Set	4800-OPRV	\$11,630.00
3-500XLHRG	3-500XL HI LO W/GAUGE LEAD FREE3500XLHILOWGAUGELEAD	4800-OPRV	\$11,736.00
3-500XLHRHTSTSC	3" 500 PRV 10-125 PSI Fem x Fem NPT SS trim 180F Lead Free	4800-OPRV	\$13,665.00
3-500XLHR	Pressure Reducing Valve, Lead-Free, FNPT Union x FNPT, Hi Pressure 75-125 psi, Field Set	4800-OPRV	\$11,308.00
3-500XLHRHTSTSC	3" 500XLHR W/HTSTSC3"500XLHRWHTSTSC	4800-OPRV	\$13,424.00
3-500XLHRHTSTSCP	3" 500 PRV 75-125 PSI Fem x Fem NPT SS trim 180F Lead Free, Tap for gauge	4800-OPRV	\$12,816.00

3-500XLHRP	3-500XL HI RING W/PLUG LEAD FRE3500XLHRRINGWPLUGLEAD	4800-OPRV	\$11,375.00
3-500XLHRYSBRG	3" 500XL PRV HR W/SXL & GAUGE LEAD FREE	4800-OPRV	\$14,321.00
3-500XLHTSTSC	3" 500XLHT W/SS TRIM, SEALED CAGE3"500XLHTWSSTRIMSEAL	4800-OPRV	\$12,683.00
3-500XLHTSTSCYSBR	3" 500XLHT W/SS TRIM, SEALED CAGE W/ SXL	4800-OPRV	\$16,166.00
3-500XLLPV	Pressure Reducing Valve, Lead-Free, FNPT Union x FNPT, Lo Pressure 10-35 psi, Set 20 psi, Hi Temp 180 °F	4800-OPRV	\$11,363.00
3-500XLLPVYSBR	3" 500XL RVP LPV W/SXL STRAINER LEAD FREE	4800-OPRV	\$16,271.00
3-500XLP	Pressure Reducing Valve, Lead-Free, FNPT Union x FNPT, Plug	4800-OPRV	\$10,636.00
3-500XLSC	Pressure Reducing Valve, Lead-Free, FNPT Union x FNPT, Sealed Cage, SS Adj Screw	4800-OPRV	\$11,097.00
3-500XLSW	3" 500XL SALTWATER LEAD FREE	4800-OPRV	\$10,698.00
RK112-500XL	PRV Repair Kit, Lead-Free - 500XL	4800-PART	\$223.00
RK112-500XLHLR	PRV Repair Kit, Lead-Free - 500XLHLR	4800-PART	\$305.00
RK112-500XLHLRHTSTSC	REPAIR KIT, 1-1/2" 500XLHLRHTSTSC	4800-PART	\$712.00
RK112-500XLHR	PRV Repair Kit, Lead-Free - 500XLHR	4800-PART	\$305.00
RK112-500XLHRHTSTSC	REPAIR KIT, 1-1/2" 500XLHRHTSTSC	4800-PART	\$712.00
RK112-500XLHTSTSC	PRV Repair Kit, Lead-Free - 500XLHTSTSC, Hot Water	4800-PART	\$347.00
RK112-500XLLPV	PRV Repair Kit, Lead-Free - 500XLLPV	4800-PART	\$575.00
RK114-500XL	PRV Repair Kit, Lead-Free - 500XL	4800-PART	\$109.00
RK114-500XLHLR	PRV Repair Kit, Lead-Free - 500XLHLR	4800-PART	\$166.00
RK114-500XLHLRHTSTSC	REPAIR KIT, 1-1/4" 500XLHLRHTSTSC	4800-PART	\$445.00
RK114-500XHLR	PRV Repair Kit, Lead-Free - 500XHLR	4800-PART	\$166.00
RK114-500XHLRHTSTSC	REPAIR KIT, 1-1/4" 500XHLRHTSTSC	4800-PART	\$445.00
RK114-500XLHTSTSC	PRV Repair Kit, Lead-Free - 500XLHTSTSC, Hot Water	4800-PART	\$209.00
RK114-500XLLPV	PRV Repair Kit, Lead-Free - 500XLLPV	4800-PART	\$345.00
RK12-500XL	PRV Repair Kit, Lead-Free - 500XL	4800-PART	\$72.00
RK12-500XLHLR	PRV Repair Kit, Lead-Free - 500XLHLR	4800-PART	\$88.00
RK12-500XLHR	PRV Repair Kit, Lead-Free - 500XLHR	4800-PART	\$88.00
RK12-500XLHRHTSTSC	REPAIR KIT, 1/2" 500XLHRHTSTSC	4800-PART	\$217.00
RK12-500XLHTSTSC	PRV Repair Kit, Lead-Free - 500XLHTSTSC, Hot Water	4800-PART	\$114.00
RK12-500XLLPV	REPAIR KIT, 1/2" 500XL LPV LEAD FREEREPAIRKIT12"500XLLPV	4800-PART	\$81.00
RK1-500XL	PRV Repair Kit, Lead-Free - 500XL	4800-PART	\$82.00
RK1-500XLHLR	PRV Repair Kit, Lead-Free - 500XLHLR	4800-PART	\$109.00
RK1-500XLHLRHTSTSC	REPAIR KIT, 1" 500XLHLRHTSTSC	4800-PART	\$306.00
RK1-500XLHR	PRV Repair Kit, Lead-Free - 500XLHR	4800-PART	\$109.00
RK1-500XLHRHTSTSC	REPAIR KIT, 1" 500XLHRHTSTSC	4800-PART	\$306.00
RK1-500XLHTSTSC	PRV Repair Kit, Lead-Free - 500XLHTSTSC, Hot Water	4800-PART	\$160.00
RK1-500XLLPV	REPAIR KIT, 1" 500XL LPV LEAD FREEREPAIRKIT1"500XLLPV	4800-PART	\$84.00
RK1-500XLSW	REPAIR KIT, 1" 500XL PRV SALT WTR	4800-PART	\$180.00
RK212-500XL	PRV Repair Kit, Lead-Free - 500XL	4800-PART	\$537.00
RK212-500XLFHLR	Repair Kit, 2-1/2" 500XL Flng, Hi Lo Rng, Lead Free	4800-PART	\$670.00
RK212-500XLFHR	REPAIR KIT, 2-1/2" 500XL Flng, Hi Rng, Lead Free	4800-PART	\$670.00
RK212-500XLHLR	PRV Repair Kit, Lead-Free - 500XLHLR	4800-PART	\$575.00
RK212-500XLHLRHTSTSC	REPAIR KIT, 2-1/2" 500XLHLRHTSTSC	4800-PART	\$949.00
RK212-500XLHR	PRV Repair Kit, Lead-Free - 500XLHR	4800-PART	\$575.00
RK212-500XLHRHTSTSC	REPAIR KIT 2-1/2" 500XLHRHTSTSC	4800-PART	\$1,099.00
RK212-500XLHRSW	REPAIR KIT, 2-1/2" 500XL HI RING W/SALT WTR TRIM LEAD FREE	4800-PART	\$1,721.00
RK212-500XLHTSTSC	PRV Repair Kit, Lead-Free - 500XLHTSTSC, Hot Water	4800-PART	\$621.00
RK212-500XLLPV	REPAIR KIT, 2-1/2" 500XL LPV LEAD FREEREPAIRKIT212"500XLLPV	4800-PART	\$373.00
RK2-500XL	PRV Repair Kit, Lead-Free - 500XL	4800-PART	\$270.00
RK2-500XLFHR	PRV Repair Kit, 2" 500XL FLANGED HI RANGE LEAD FREE	4800-PART	\$486.00
RK2-500XLFHTSTSC	REPAIR KIT, 2" 500XL PRV FLNG HT W/SS TRIM, SEALED CAGE LEAD FREE	4800-PART	\$700.00
RK2-500XLHLR	PRV Repair Kit, Lead-Free - 500XLHLR	4800-PART	\$312.00
RK2-500XLHLRHTSTSC	REPAIR KIT, 2" 500XLHLRHTSTSC	4800-PART	\$741.00
RK2-500XLHR	PRV Repair Kit, Lead-Free - 500XLHR	4800-PART	\$312.00
RK2-500XLHRHTSTSC	REPAIR KIT, 2" 500XLHRHTSTSC	4800-PART	\$741.00
RK2-500XLHTSTSC	PRV Repair Kit, Lead-Free - 500XLHTSTSC, Hot Water	4800-PART	\$403.00
RK2-500XLLPV	PRV Repair Kit, Lead-Free - 500XLLPV	4800-PART	\$667.00
RK2-500XLSW	REPAIR KIT, 2" 500XL SALT WTR	4800-PART	\$500.00
RK34-500XL	PRV Repair Kit, Lead-Free - 500XL	4800-PART	\$72.00
RK34-500XLHLR	PRV Repair Kit, Lead-Free - 500XLHLR	4800-PART	\$96.00
RK34-500XLHLRHTSTSC	REPAIR KIT, 3/4" 500XLHLRHTSTSC	4800-PART	\$286.00
RK34-500XLHR	PRV Repair Kit, Lead-Free - 500XLHR	4800-PART	\$96.00
RK34-500XLHRHTSTSC	REPAIR KIT, 3/4" 500XLHRHTSTSC	4800-PART	\$286.00
RK34-500XLHTSTSC	PRV Repair Kit, Lead-Free - 500XLHTSTSC, Hot Water	4800-PART	\$153.00
RK34-500XLLPV	PRV Repair Kit, Lead-Free - 500XLLPV	4800-PART	\$250.00
RK34-500XLSW	REPAIR KIT, 3/4" 500XL PRV SALT WTR	4800-PART	\$132.00
RK3-500XL	PRV Repair Kit, Lead-Free - 500XL	4800-PART	\$1,073.00
RK3-500XLFHLR	Repair Kit, 3" 500XL Flng, Hi Lo Rng, Lead Free	4800-PART	\$1,286.00
RK3-500XLFHLRSW	REPAIR KIT, 3" 500XL FLNG HI/LOW RANGE SALT WTR LEAD FREE	4800-PART	\$2,034.00
RK3-500XLFHR	REPAIR KIT, 3" 500XL HI RANGE FLANGED LEAD FREE	4800-PART	\$1,502.00
RK3-500XLFHTSTSC	REPAIR KIT, 3" 500XL PRV FLNG HT W/SS TRIM, SEALED CAGE LEAD FREE	4800-PART	\$1,937.00
RK3-500XLHLR	PRV Repair Kit, Lead-Free - 500XLHLR	4800-PART	\$1,109.00
RK3-500XLHR	PRV Repair Kit, Lead-Free - 500XLHR	4800-PART	\$1,109.00
RK3-500XLHRHTSTSC	REPAIR KIT, 3" 500XLHRHTSTSC	4800-PART	\$1,753.00
RK3-500XLHTSTSC	PRV Repair Kit, Lead-Free - 500XLHTSTSC, Hot Water	4800-PART	\$1,164.00
RK3-500XLLPV	REPAIR KIT, 3" 500XL LPVREPAIRKIT3"500XLLPV	4800-PART	\$885.00
112-500XL3	1-1/2" 500XL3 PRV 25-75 PSI Single Union Fem x Fem NPT Tap for gauge Lead Free	4800-OPRV	\$3,996.00
112-500XL3DUG	1-1/2" 500XL3 PRV 15-75 PSI Dbl Union Fem X Fem NPT Tap w/Gauge Lead Free	4800-OPRV	\$4,467.00
114-500XL3	1-1/4" 500XL3 PRV 25-75 PSI Single Union Fem x Fem NPT Tap for gauge Lead Free	4800-OPRV	\$2,515.00
114-500XL3DUCG	1-1/4" 500XL3 PRV 15-75 PSI Dbl Union Fem X Fem Copper Sweat w/gauge Lead Free	4800-OPRV	\$2,868.00
114-500XL3DUCR	1-1/4" 500XL3 PRV 60-125 PSI Dbl Union Fem X Fem Copper Sweat Tap for Gauge LF	4800-OPRV	\$2,937.00
114-500XL3DUG	1-1/4" 500XL3 PRV 15-75 PSI Dbl Union Fem X Fem NPT Tap w/Gauge Lead Free	4800-OPRV	\$2,840.00

114-500XL3DUHRG	1-1/4" 500XL3 PRV 60-125 PSI Dbl Union Fem x Fem NPT w/gauge Lead Free	4800-OPRV	\$3,027.00
1-500XL3	1" 500XL3 PRV 25-75 PSI Single Union Fem x Fem NPT Tap for gauge Lead Free	4800-OPRV	\$1,259.00
1-500XL3DUCG	1" 500XL3 PRV 15-75 PSI Dbl Union Fem X Fem Copper Sweat w/Gauge Lead Free	4800-OPRV	\$1,470.00
1-500XL3DUCR	1" 500XL3 PRV 60-125 PSI Dbl Union Fem X Fem Copper Sweat Tap for Gauge LF	4800-OPRV	\$1,451.00
1-500XL3DUCY	1" 500XL3 PRV 15-75 PSI Dbl Union Fem X Fem Copper Sweat Tap for Gauge LF w/Stra	4800-OPRV	\$1,675.00
1-500XL3DUG	1" 500XL3 PRV 15-75 PSI Dbl Union Fem X Fem NPT Tap w/ Gauge Lead Free	4800-OPRV	\$1,460.00
1-500XL3DUHR	1" 500XL3 PRV 60-125 PSI Dbl Union Fem X Fem NPT Tap for Gauge Lead Free	4800-OPRV	\$1,439.00
1-500XL3DUHRBP	1" 500XL3 PRV 75-125 PSI Low Flow Bypass Double Union Tailpieces Lead Free	4800-OPRV	\$1,433.00
1-500XL3DUHRBPBG	1" 500XL3 PRV 60-125 PSI Low Flow Bypass Doble Unon Tailpieces w/Gauge Lead Free	4800-OPRV	\$1,548.00
1-500XL3DUHRYG	1" 500XL3 PRV 60-125 PSI Dbl Union Fem X Fem NPT w/ Strainer w/Gauge Lead Free	4800-OPRV	\$1,880.00
1-500XL3G	1" 500XL3 PRV 15-75 PSI Single Union Fem x Fem NPT Tap w/gauge Lead Free	4800-OPRV	\$1,376.00
212-500XL3	2-1/2" 500XL3 PRV 25-75 PSI Fem x Fem NPT Tap for gauge Lead Free	4800-OPRV	\$8,242.00
212-500XL3FHRG	2-1/2" 500XL3 PRV 60-125 PSI Flanged class 150 w/ Gauge Lead Free	4800-OPRV	\$13,002.00
2-500XL3	2" 500XL3 PRV 25-75 PSI Single Union Fem x Fem NPT Tap for gauge Lead Free	4800-OPRV	\$4,688.00
2-500XL3HRG	2" 500XL3 PRV 60-125 PSI Single Union Fem X Fem NPT w/ Gauge Lead Free	4800-OPRV	\$5,217.00
2-500XL3HRYG	2" 500XL3 PRV 60-125 PSI Single Union Fem X Fem NPT w/ Strainer w/Gauge	4800-OPRV	\$6,101.00
3-500XL3	3" 500XL3 PRV 25-75 PSI Fem x Fem NPT Tap for gauge Lead Free	4800-OPRV	\$10,570.00
RK112-500XL3	Repair Kit 1-1/2" All Connection Types	4800-PART	\$223.00
RK114-500XL3	Repair Kit 1-1/4" All Connection Types	4800-PART	\$109.00
RK1-500XL3	Repair Kit 1" All Connection Types	4800-PART	\$82.00
RK212-4-500XL3	Repair Kit 2-1/2" - 4" All Connection Types	4800-PART	\$537.00
RK212-4-500XL3HR	Repair Kit High Range 2-1/2" - 4" All Connection Types	4800-PART	\$576.00
RK2-500XL3	Repair Kit 2" All Connection Types	4800-PART	\$270.00
112-500XL3C	1-1/2" 500XL3 PRV 25-75PSI Single Union Copper Swt x NPT Tap for gauge Lead Free	4800-OPRV	\$4,038.00
114-500XL3C	1-1/4" 500XL3 PRV 25-75PSI Single Union Copper Swt x NPT Tap for gauge Lead Free	4800-OPRV	\$2,544.00
1-500XL3C	1" 500XL3 PRV 25-75 PSI Single Union Copper Swt x NPT Tap for gauge Lead Free	4800-OPRV	\$1,273.00
2-500XL3C	2" 500XL3 PRV 25-75 PSI Single Union Copper Swt x NPT Tap for gauge Lead Free	4800-OPRV	\$4,738.00
112-500XL3DU	1-1/2" 500XL3 PRV 25-75 PSI Dbl Union Fem x Fem NPT Tap for gauge Lead Free	4800-OPRV	\$4,350.00
114-500XL3DU	1-1/4" 500XL3 PRV 25-75 PSI Dbl Union Fem x Fem NPT Tap for gauge Lead Free	4800-OPRV	\$2,720.00
1-500XL3DU	1" 500XL3 PRV 25-75 PSI Dbl Union Fem x Fem NPT Tap for gauge Lead Free	4800-OPRV	\$1,342.00
2-500XL3DU	2" 500XL3 PRV 25-75 PSI Dbl Union Fem x Fem NPT Tap for gauge Lead Free	4800-OPRV	\$5,164.00
112-500XL3DUC	1-1/2" 500XL3 PRV 25-75 PSI Dbl Union Fem x Fem Copper Sweat Tap for gauge LF	4800-OPRV	\$4,389.00
114-500XL3DUC	1-1/4" 500XL3 PRV 25-75 PSI Dbl Union Fem x Fem Copper Sweat Tap for gauge LF	4800-OPRV	\$2,749.00
1-500XL3DUC	1" 500XL3 PRV 25-75 PSI Dbl Union Fem x Fem Copper Sweat Tap for gauge Lead Free	4800-OPRV	\$1,353.00
2-500XL3DUC	2" 500XL3 PRV 25-75 PSI Dbl Union Fem x Fem Copper Sweat Tap for gauge Lead Free	4800-OPRV	\$5,202.00
212-500XL3F	2-1/2" 500XL3 PRV 25-75 PSI Flanged class 150 Tap for gauge Lead Free	4800-OPRV	\$12,225.00
212-500XL3FG	2-1/2" 500XL3 PRV 15-75 PSI Flanged class 150 w/Gauge Lead Free	4800-OPRV	\$12,297.00
3-500XL3F	3" 500XL3 PRV 25-75 PSI Flanged class 150 Tap for gauge Lead Free	4800-OPRV	\$15,246.00
212-500XL3FHR	2-1/2" 500XL3 PRV 5-125 PSI Flanged class 150 7Tap for gauge Lead Free	4800-OPRV	\$12,884.00
3-500XL3FHR	3" 500XL3 PRV 75-125 PSI Flanged class 150 Tap for gauge Lead Free	4800-OPRV	\$16,223.00
3-500XL3FHRG	3" 500XL3 PRV 60-125 PSI Flanged Class 150 w/Gauge Lead Free	4800-OPRV	\$16,342.00
3-500XL3FHRYG	3" 500XL3 PRV 60-125 PSI Flanged Class 150 w/Strnr Gauge Lead Free	4800-OPRV	\$17,929.00
212-500XL3FY	2-1/2" 500XL3 PRV 25-75 PSI Flanged class 150 Tap for gauge w/Strainer Lead Free	4800-OPRV	\$13,598.00
3-500XL3FY	3" 500XL3 PRV 25-75 PSI Flanged class 150 Tap for gauge w/Strainer Lead Free	4800-OPRV	\$16,844.00
112-500XL3HR	1-1/2" 500XL3 PRV 75-125 PSI Single Union Fem x Fem NPT Tap for gauge Lead Free	4800-OPRV	\$4,279.00
114-500XL3HR	1-1/4" 500XL3 PRV 75-125 PSI Single Union Fem x Fem NPT Tap for gauge Lead Free	4800-OPRV	\$2,697.00
1-500XL3HR	1" 500XL3 PRV 75-125 PSI Single Union Fem x Fem NPT Tap for gauge Lead Free	4800-OPRV	\$1,348.00
212-500XL3HR	2-1/2" 500XL3 PRV 75-125 PSI Fem x Fem NPT Tap for gauge Lead Free	4800-OPRV	\$8,817.00
212-500XL3HRG	2-1/2" 500XL3 PRV 60-125 PSI Fem x Fem NPT w/Gauge Lead Free	4800-OPRV	\$8,936.00
2-500XL3HR	2" 500XL3 PRV 75-125 PSI Single Union Fem x Fem NPT Tap for gauge Lead Free	4800-OPRV	\$5,022.00
3-500XL3HR	3" 500XL3 PRV 75-125 PSI Fem x Fem NPT Tap for gauge Lead Free	4800-OPRV	\$11,308.00
3-500XL3HRG	3" 500XL3 PRV 60-125 PSI Single Union Fem X Fem NPT w/ Gauge Lead Free	4800-OPRV	\$11,427.00
RK112-500XL3HR	Repair Kit High Range 1-1/2" All Connection Types	4800-PART	\$305.00
RK114-500XL3HR	Repair Kit High Range 1-1/4" All Connection Types	4800-PART	\$167.00
RK1-500XL3HR	Repair Kit High Range 1" All Connection Types	4800-PART	\$109.00

RK2-500XL3HR	Repair Kit High Range 2" All Connection Types	4800-PART	\$312.00
112-500XL3HRY	1-1/2" 500XL3 PRV 75-125 PSI Single Union Fem x Fem NPT Tap for gauge w/Strainer	4800-OPRV	\$4,937.00
114-500XL3HRY	1-1/4" 500XL3 PRV 75-125 PSI Single Union Fem x Fem NPT Tap for gauge w/Strainer	4800-OPRV	\$3,181.00
114-500XL3HRYG	1-1/4" 500XL3 PRV 60-125 PSI Single Union Fem X Fem NPT w/Strainer w/Gauge	4800-OPRV	\$3,297.00
2-500XL3HRY	2" 500XL3 PRV 75-125 PSI Single Union Fem x Fem NPT Tap for gauge w/Strainer LF	4800-OPRV	\$5,983.00
3-500XL3HRY	3" 500XL3 PRV 75-125 PSI Fem x Fem NPT Tap for gauge w/Strainer Lead Free	4800-OPRV	\$14,214.00
3-500XL3HRYG	3" 500XL3 PRV 60-125 PSI Fem X Fem NPT w/Strainer w/Gauge Lead Free	4800-OPRV	\$14,331.00
112-500XL3Y	1-1/2" 500XL3 PRV 25-75 PSI Single Union Fem x Fem NPT Tap for gauge w/Strainer	4800-OPRV	\$4,655.00
112-500XL3YG	1-1/2" 500XL3 PRV 15-75 PSI Single Union Fem X Fem NPT w/Strainer w/Gauge	4800-OPRV	\$4,773.00
114-500XL3Y	1-1/4" 500XL3 PRV 25-75 PSI Single Union Fem x Fem NPT Tap for gauge w/Strainer	4800-OPRV	\$2,999.00
1-500XL3Y	1" 500XL3 PRV 25-75 PSI Single Union Fem x Fem NPT Tap for gauge w/Strainer LF	4800-OPRV	\$1,592.00
1-500XL3YG	1" PRV 15-75 PSI Single Union Fem x Fem NPT Tap w/WyeStrnr LF	4800-OPRV	\$1,710.00
212-500XL3Y	2-1/2" 500XL3 PRV 25-75 PSI Fem x Fem NPT Tap for gauge w/Strainer Lead Free	4800-OPRV	\$10,113.00
212-500XL3YG	2-1/2" 500XL3 PRV 15-75 PSI Fem X Fem NPT w/Gauge w/Strainer Lead Free	4800-OPRV	\$10,231.00
2-500XL3Y	2" 500XL3 PRV 25-75 PSI Single Union Fem x Fem NPT Tap for gauge w/Strainer LF	4800-OPRV	\$5,651.00
3-500XL3Y	3" 500XL3 PRV 25-75 PSI Fem x Fem NPT Tap for gauge w/Strainer Lead Free	4800-OPRV	\$13,474.00
2-500XLCF	Pressure Reducing Valve, Lead-Free, Flanged x Flanged	4800-OPRV	\$12,027.00
2-500XLCFBP	Pressure Reducing Valve, Lead-Free, Flanged x Flanged, Plugs for Low Flow By-Pass	4800-OPRV	\$12,504.00
2-500XLCFLR	2" 500XLCF HI LO RING LEAD FREE 2"500XLCFLHORNLEAD	4800-OPRV	\$13,122.00
2-500XLCFLRBP	Pressure Reducing Valve, Lead-Free, Flanged x Flanged, Hi-Lo Press 10-125 psi, Field Set	4800-OPRV	\$13,604.00
2-500XLCFLR	Pressure Reducing Valve, Lead-Free, Flanged x Flanged, Hi Pressure 75-125 psi, Field Set	4800-OPRV	\$12,797.00
2-500XLCFLRBP	2" 500XLCFLR W/BP & GAUGE PLUGS LF	4800-OPRV	\$13,337.00
2-500XLCFLRHSTSCP	2" 500XLCFLR W/HTSTSC W/P	4800-OPRV	\$13,797.00
2-500XLCFHTSTSC	2" 500XLCFHT W/STRIM, SC LF2"500XLCFHTWSTRIMSC	4800-OPRV	\$12,964.00
2-500XLCFC	2" 500XLCFC SEALED CAGE2"500XLCFCSEALED CAGE	4800-OPRV	\$12,557.00
RK212-500XLCF	PRV Repair Kit, Lead-Free - 500XLCF	4800-PART	\$366.00
RK212-500XLCFHTSTSC	REPAIR KIT 2-1/2" 500XLCFHTSTSC LEAD FREE	4800-PART	\$1,672.00
RK2-500XLCF	PRV Repair Kit, Lead-Free - 500XLCF	4800-PART	\$359.00
RK3-500XLCF	PRV Repair Kit, Lead-Free - 500XLCF	4800-PART	\$866.00
112-500XLHLRYSBR	1-1/2" 500XLHLR W/SXL	4800-OPRV	\$5,056.00
112-500XLHLRYSBRP	1-1/2" 500XLHLR W/SXL PLUG L F112"500XLHLRWSXLPLUG	4800-OPRV	\$5,129.00
112-500XLHLRSCYSBR	1-1/2" 500XLHLRSC W/SXL LEAD FREE	4800-OPRV	\$5,139.00
112-500XLHLRYSBR	Pressure Reducing Valve, Lead-Free, FNPT Union x FNPT, Hi Pressure 75-125 psi, Set 85 psi	4800-OPRV	\$4,937.00
112-500XLHSTSCYSBR	1-1/2" 500XLHSTSC W/SXL LEAD FREE112"500XLHSTSCWSXL	4800-OPRV	\$5,452.00
112-500XLYSBR	Pressure Reducing Valve, Lead-Free, FNPT Union x FNPT	4800-OPRV	\$4,655.00
112-500XLYSBR-45	1-1/2" 500XL W/SXL 45 PSI SET LEAD FREE112"500XLWSXL45PSISE	4800-OPRV	\$4,655.00
112-500XLYSBRG	Pressure Reducing Valve, Lead-Free, FNPT Union x FNPT, Strainer, Gauge	4800-OPRV	\$4,767.00
112-500XLYSBRP	1-1/2" 500XL PLUGGED W/SXL LEAD FREE	4800-OPRV	\$4,721.00
112-510XLHRHTSTSC	1-1/2" 510 PRV 75-125 PSI Union Inlet Fem x Fem NPT SS trim 180F Lead Free	4800-OPRV	\$5,367.00
114-500XLHLRWSWYSBR	1-1/4" 500XLHLR W/SXL SALTWATER LEAD FREE	4800-OPRV	\$3,609.00
114-500XLHLRYSBR	1-1/4" 500XL HI LO W/SXL LEAD FREE114"500XLHILOWXSXLEA	4800-OPRV	\$3,252.00
114-500XLHRYSBR	Pressure Reducing Valve, Lead-Free, FNPT Union x FNPT, Hi Pressure 75-125 psi, Set 85 psi	4800-OPRV	\$3,181.00
114-500XLYSWSYBR	1-1/4" 500XL W/SXL SALTWATER LEAD FREE	4800-OPRV	\$3,355.00
114-500XLYSBR	Pressure Reducing Valve, Lead-Free, FNPT Union x FNPT	4800-OPRV	\$2,999.00
114-500XLYSBRG	Pressure Reducing Valve, Lead-Free, FNPT Union x FNPT, Strainer, Gauge	4800-OPRV	\$3,108.00
12-500XLHLRYSBR	1/2" 500XL HI LO RING W/SXL LEAD FREE	4800-OPRV	\$1,237.00
12-500XLHRYSBR	12-500XLHRYSBR12-500XLHRYSBR	4800-OPRV	\$1,210.00
12-500XLHSTSCYSBRP	1/2" 500XLHSTSC W/SXL W/ PLUG LEAD FREE	4800-OPRV	\$1,445.00
12-500XLLPVYSBR	1/2" 500XL LPV W/SXL LEAD FREE12"500XLLPVWSXLEADF	4800-OPRV	\$1,391.00
12-500XLYSBR	Pressure Reducing Valve, Lead-Free, FNPT Union x FNPT	4800-OPRV	\$1,139.00
1-500XLHLRWSWYSBR	1" 500XLHLR W/SXL SALTWATER LEAD FREE	4800-OPRV	\$1,713.00
1-500XLHLRYSBR	1" 500XL HI LO W/SXL LEAD FREE1"500XLHILOWXSXLEADF	4800-OPRV	\$1,713.00
1-500XLHLRYSBRG	1" 500XLHLR W/GAUGE W/SXL LEAD FREE1"500XLHLRWGAUGESXSL	4800-OPRV	\$1,821.00
1-500XLHLRYSBRP	1" 500XLHLR W/SXL PLUG LEAD FREE1"500XLHLRWSXLPLUGLE	4800-OPRV	\$1,778.00
1-500XLHRYSBR	Pressure Reducing Valve, Lead-Free, FNPT Union x FNPT, Hi Pressure 75-125 psi, Set 85 psi	4800-OPRV	\$1,673.00
1-500XLHSTSCYSBR	1" 500XLHSTSC W/ SXL LEAD FREE	4800-OPRV	\$1,838.00
1-500XLYSWSYBR	1-500XL W/SXL SALTWATER LEAD FREE	4800-OPRV	\$1,699.00
1-500XLYSBR	Pressure Reducing Valve, Lead-Free, FNPT Union x FNPT	4800-OPRV	\$1,592.00
1-500XLYSBR-45	1" 500XL W/SXL 45 PSI SET LEAD FREE1"500XLWSXL45PSISEL	4800-OPRV	\$1,592.00
1-500XLYSBRG	1" 500XL W/SXL/GAUGE LEAD FREE	4800-OPRV	\$1,699.00
1-500XLYSBRP	1" 500XL W/SXL PLUGGED, LEAD FREE	4800-OPRV	\$1,652.00
212-500XLHLRYSBR	2 1/2" 500XLHLR W/SXL STR L F212"500XLHLRWSXLSTRL	4800-OPRV	\$10,397.00
212-500XLHRYSBR	Pressure Reducing Valve, Lead-Free, FNPT Union x FNPT, Hi Pressure 75-125 psi, Field Set	4800-OPRV	\$10,441.00
212-500XLHLRYSBRG	2-1/2" 500XLHR W/SXL/GAUGE LEAD FREE	4800-OPRV	\$10,797.00
212-500XLYSBR	Pressure Reducing Valve, Lead-Free, FNPT Union x FNPT	4800-OPRV	\$10,113.00
212-500XLYSBRG	2-1/2" 500XL W/STR W/GAUGE LF212"500XLWSTRWGAUGEL	4800-OPRV	\$10,221.00
2-500XLHLRWSWYSBR	2" 500XLHLR W/SXL SALTWATER LEAD FREE	4800-OPRV	\$6,119.00

2-500XLHLRYSBR	2" 500XL HI LO W/SXL LEAD FREE2"500XLHILOWXSXLEADF	4800-OPRV	\$6,119.00
2-500XLHLRYSBRG	2" 500XLHLR W/GAUGE W/SXL LEAD FREE2"500XLHLRWGAUGESXSL	4800-OPRV	\$6,228.00
2-500XLHLRYSBRP	2" 500XLHLR W/SXL PLUG LEAD FREE2"500XLHLRWSXLPLUGLE	4800-OPRV	\$6,181.00
2-500XLHRYSBR	Pressure Reducing Valve, Lead-Free, FNPT Union x FNPT, Hi Pressure 75-125 psi, Set 85 psi	4800-OPRV	\$5,983.00
2-500XLHRYSBRP	2" 500XL HI RING W/SXL PLUGGED LEAD FREE2"500XLHRRINGWSXLPLUG	4800-OPRV	\$6,043.00
2-500XLHSTSCYSBR	2" 500XLHSTSC W/ SXL LEAD FREE	4800-OPRV	\$6,584.00
2-500XLHSTSCYSBRP	2" 500XLHSTSC PLUGGED W/ 2" SXL LEAD FREE	4800-OPRV	\$6,653.00
2-500XLYSBR	Pressure Reducing Valve, Lead-Free, FNPT Union x FNPT, Sealed Cage, SS Adj Screw	4800-OPRV	\$5,886.00
2-500XLYSBRG	2" 500XLYSBR W/SXL, GAUGE LEAD FREE	4800-OPRV	\$6,002.00
2-500XLYSBRP	Pressure Reducing Valve, Lead-Free, FNPT Union x FNPT, Strainer, Gauge	4800-OPRV	\$5,651.00
2-500XLYSBRP	2" 500XL PLUGGED W/SXL LEAD FREE	4800-OPRV	\$5,716.00
34-500XLHLRWSWYSBR	34-500XLHLR W/SXL SALTWATER LEAD FREE	4800-OPRV	\$1,467.00
34-500XLHLRYSBR	Pressure Reducing Valve, Lead-Free, FNPT Union x FNPT, Hi-Lo Pressure 15-125 psi, Set 50 psi	4800-OPRV	\$1,500.00
34-500XLHLRYSBRG	3/4" 500XL HI LO W/SXL/GAUGE LEAD FREE34"500XLHILOWXSXLEAUG	4800-OPRV	\$1,445.00
34-500XLHRYSBR	Pressure Reducing Valve, Lead-Free, FNPT Union x FNPT, Hi Pressure 75-125 psi, Set 85 psi	4800-OPRV	\$1,301.00
34-500XLHSTSCYSBRP	3/4" 500XLHSTSC W/SXL AND PLUG	4800-OPRV	\$1,493.00
34-500XLLPVYSBR	3/4" 500XL LPV W/SXL LEAD FREE34"500XLLPVWSXLEADF	4800-OPRV	\$1,489.00
34-500XLYSWSYBR	3/4" 500XL SW W/SXL LEAD FREE	4800-OPRV	\$1,371.00
34-500XLYSBR	Pressure Reducing Valve, Lead-Free, FNPT Union x FNPT	4800-OPRV	\$1,238.00
34-500XLYSBR-45	3/4" 500XL W/SXL 45 PSI SET LEAD FREE34"500XLWSXL45PSISEL	4800-OPRV	\$1,238.00
34-500XLYSBRG	3/4" 500XL W/SXL, GAUGE LEAD FREE	4800-OPRV	\$1,348.00
3-500XLHLRWSWYSBRG	3" 500XLHLRWS W/GAGE, STRNR	4800-OPRV	\$16,115.00
3-500XLHLRYSBR	Pressure Reducing Valve, Lead-Free, FNPT Union x FNPT, Hi-Lo Pressure 15-125 psi, Field Set	4800-OPRV	\$14,530.00
3-500XLHLRYSBRG	3" 500XL HLR W/SXL W/G LEAD FREE3"500XLHLRWSXLWGLEAD	4800-OPRV	\$14,637.00
3-500XLHLRYSBRP	3" 500XLHLRYSBR W/PLUG	4800-OPRV	\$14,594.00
3-500XLHRYSBR	Pressure Reducing Valve, Lead-Free, FNPT Union x FNPT, Hi Pressure 75-125 psi, Field Set	4800-OPRV	\$14,214.00
3-500XLYSBRG	3" 500XLYSBR W/SXL, GAUGE LEAD FREE	4800-OPRV	\$14,254.00
3-500XLYSBR	Pressure Reducing Valve, Lead-Free, FNPT Union x FNPT	4800-OPRV	\$13,474.00
3-500XLYSBRP	3" 500XLYSBR, PLUGGED W/ GAUGE	4800-OPRV	\$13,474.00
3-500XLYSBRP	3" 500XL W/SXL, PLUGGED, LEAD FREE	4800-OPRV	\$13,541.00
114-510XL	Pressure Reducing Valve, Lead-Free, FNPT Union x FNPT	4800-OPRV	\$2,690.00
12-510XL	Pressure Reducing Valve, Lead-Free, FNPT Union x FNPT	4800-OPRV	\$1,015.00
1-510XL	Pressure Reducing Valve, Lead-Free, FNPT Union x FNPT	4800-OPRV	\$1,348.00
1-510XLP	1" 510XL PRV W/PLUG LEAD FREE	4800-OPRV	\$1,348.00
212-510XL	Pressure Reducing Valve, Lead-Free, FNPT Union x FNPT	4800-OPRV	\$8,817.00
2-510XL	Pressure Reducing Valve, Lead-Free, FNPT Union x FNPT	4800-OPRV	\$5,022.00
34-510XL	Pressure Reducing Valve, Lead-Free, FNPT Union x FNPT	4800-OPRV	\$1,024.00
34-510XLHLR	3/4" 510XL PRV HI LO RING, LEAD FREE	4800-OPRV	\$1,120.00
3-510XL	Pressure Reducing Valve, Lead-Free, FNPT Union x FNPT	4800-OPRV	\$11,308.00
RK112-510XL	PRV Repair Kit, Lead-Free - 510XL	4800-PART	\$305.00
RK114-510XL	PRV Repair Kit, Lead-Free - 510XL	4800-PART	\$166.00
RK12-510XL	PRV Repair Kit, Lead-Free - 510XL	4800-PART	\$96.00
RK1-510XL	PRV Repair Kit, Lead-Free - 510XL	4800-PART	\$109.00
RK212-510XL	PRV Repair Kit, Lead-Free - 510XL	4800-PART	\$575.00
RK2-510XL	PRV Repair Kit, Lead-Free - 510XL	4800-PART	\$312.00
RK34-510XL	PRV Repair Kit, Lead-Free - 510XL	4800-PART	\$97.00
RK3-510XL	PRV Repair Kit, Lead-Free - 510XL	4800-PART	\$1,110.00
212-510XLCF	Pressure Reducing Valve, Lead-Free, Flanged x Flanged	4800-OPRV	\$12,498.00
2-510XLCF	Pressure Reducing Valve, Lead-Free, Flanged x Flanged	4800-OPRV	\$12,423.00
2-510XLCG	2" 510XL PRV, PLUG W/GAUGE LEAD FREE	4800-OPRV	\$1,123.00
3-510XLCF	Pressure Reducing Valve, Lead-Free, Flanged x Flanged	4800-OPRV	\$15,726.00
112-510XLYSBR	Pressure Reducing Valve, Lead-Free, FNPT Union x FNPT	4800-OPRV	\$5,007.00
12-510XLYSBR	Pressure Reducing Valve, Lead-Free, FNPT Union x FNPT	4800-OPRV	\$1,333.00
12-51U	UNION PIPE FITTING, 1/2" NPT X 1/2" NPT (MCM-4429K214)	4800-OACV	\$166.00
1-510XLYSBR	Pressure Reducing Valve, Lead-Free, FNPT Union x FNPT	4800-OPRV	\$1,925.00
1-510XLYSBR-100PSI	1" 510XLYSBR SET AT 100PSI LEAD FREE1"510XLYSBRSETAT100P	4800-OPRV	\$2,401.00
212-510XLYSBR	Pressure Reducing Valve, Lead-Free, FNPT Union x FNPT	4800-OPRV	\$10,455.00
212-ACVFCIS24NCP	FCIS subassembly, 2-1/2" Solenoid Valve, Endpoint, Connector kits	4800-OPRV	\$11,534.00
212-ACVFCIS24NOP	FCIS subassembly, 2-1/2" Solenoid Valve, Endpoint, Connector kits	4800-OPRV	\$16,145.00
212-ACVFCIS24NOPRV	FCIS RV subassembly, 2-1/2" Solenoid Vlv, Endpoint, Connector kits	4800-OPRV	\$19,698.00
212-ACVFCIS324NOP	FCIS subassembly, 2-1/2" Solenoid Valve, Endpoint, 3X Connector kits	4800-OPRV	\$16,386.00
212-ACVFCISG224NCP	FCIS subassembly, 2-1/2" Solenoid Valve, Endpoint, Connector kits	4800-OPRV	\$18,826.00
212-ACVFCISOSY24NOP	FCISOSY subassembly, 2-1/2" Solenoid Valve, Endpoint, Connector kits	4800-OPRV	\$16,145.00
212-ACVFCISZ24NCP	FCIS subassembly, 2-1/2" Solenoid Valve, Endpoint, Connector kits	4800-OPRV	\$18,826.00
212-ACVFCISZ24NOP	FCIS subassembly, 2-1/2" Solenoid Valve, Endpoint, Connector kits	4800-OPRV	\$23,524.00
2-510XLYSBR	Pressure Reducing Valve, Lead-Free, FNPT Union x FNPT	4800-OPRV	\$5,969.00
34-510XLYSBR	Pressure Reducing Valve, Lead-Free, FNPT Union x FNPT	4800-OPRV	\$1,424.00
112-600XL	Pressure Reducing Valve, Lead-Free, FNPT Union x FNPT	4800-OPRV	\$2,961.00
112-600XL3	1-1/2" 600XL3 PRV 15-75 PSI Single Union Fem X Fem NPT Tap for Gauge Lead Free	4800-OPRV	\$2,961.00
112-600XL3C	1-1/2" 600XL3 PRV 15-75 PSI Single Union Cpr Swt X Fem NPT Tap for Gge Lead Free	4800-OPRV	\$2,961.00
112-600XL3DU	1-1/2" 600XL3 PRV 15-75 PSI Double Unions w/ Fem NPT Outlet Tap for Gge Lead Fr	4800-OPRV	\$3,179.00
112-600XL3DUBP	1-1/2" 600XL3 PRV 15-75 PSI Low Flow Bypass Dbl Unions Tap for Gauge Lead Free	4800-OPRV	\$3,179.00

112-600XL3DUC	1-1/2" 600XL3 PRV 15-75 PSI Dbl Union Cpr Sw w/ Fem NPT Outl Tap for Gge Lead Fr	4800-OPRV	\$3,179.00
112-600XL3DUG	1-1/2" 600XL3 PRV 15-75 PSI Dbl Unions w/Fem NPT Outlet w/Gauge Lead Free	4800-OPRV	\$3,297.00
112-600XL3DUHR	1-1/2" 600XL3 PRV 60-125 PSI Double Union X Fem NPT Tap for Gauge Lead Free	4800-OPRV	\$3,600.00
112-600XL3G	1-1/2" 600XL3 PRV 15-75 PSI Single Union X Fem NPT w/ Gauge Lead Free	4800-OPRV	\$3,075.00
112-600XL3HR	1-1/2" 600XL3 PRV 60-125 PSI Single Union X Fem NPT Tap for Gauge Lead Free	4800-OPRV	\$3,244.00
112-600XLC	Pressure Reducing Valve, Lead-Free, Female CU SWT Union x FNPT	4800-OPRV	\$2,961.00
112-600XLCH	1-1/2" 600XL PRV CHROME LEAD FREE	4800-OPRV	\$3,523.00
112-600XLCF	1-1/2" 600XL W/FC PLUG LEAD FREE112" 600XLWFCPLUGLEAD	4800-OPRV	\$3,033.00
112-600XLG	Pressure Reducing Valve, Lead-Free, FNPT Union x FNPT, Gauge	4800-OPRV	\$3,075.00
112-600XLHLR	Pressure Reducing Valve, Lead-Free, FNPT Union x FNPT, Hi-Lo Pressure 10-125 psi, Set 50 psi	4800-OPRV	\$3,366.00
112-600XLHLRC	1-1/2" 600 PRV 10-125 PSI Union Inlet Cpr Swt x Fem NPT Lead Free	4800-OPRV	\$3,366.00
112-600XLHLRG	1-1/2" 600XLHLR, PLUGGED W/ GAUGE112" 600XLHLRPLUGGEDW	4800-OPRV	\$3,475.00
112-600XLHLRP	1-1/2" 600XL HI LO W/PLUG LEAD FREE	4800-OPRV	\$3,435.00
112-600XLHR	Pressure Reducing Valve, Lead-Free, FNPT Union x FNPT, Hi Pressure 75-125 psi, Set 85 psi	4800-OPRV	\$3,244.00
112-600XLHRC	Pressure Reducing Valve, Lead-Free, Female CU SWT Union x FNPT, Hi Pressure 75-125 psi, Set 85 psi	4800-OPRV	\$3,300.00
112-600XLHRG	1-1/2" 600XLHR, PLUGGED W/GAUGE	4800-OPRV	\$3,355.00
112-600XLHRP	1-1/2" 600XL HI RING W/ PLUG LEAD FREE112" 600XLHHRGWPLUGL	4800-OPRV	\$3,312.00
112-600XLHRSC	1-1/2" 600XL HI RING SEAL CAGE LEAD FREE112" 600XLHHRGSEALCA	4800-OPRV	\$3,446.00
112-600XLHSTSC	1-1/2" 600XLHSTSC LEAD FREE	4800-OPRV	\$3,763.00
112-600XLHSTSCC	1 1/2" 600XLHSTSC W/FC LEAD FREE	4800-OPRV	\$3,818.00
112-600XLL	1-1/2" 600XL L/BYPASS LEAD FREE	4800-OPRV	\$3,165.00
112-600XLLPV	Pressure Reducing Valve, Lead-Free, FNPT Union x FNPT, Lo Press 10-35 psi, Set 20, HT 180°F	4800-OPRV	\$4,020.00
112-600XLLPVG	1-1/2" 600XL LPV W/GAUGE LEAD FREE W/ GAUGE	4800-OPRV	\$4,132.00
112-600XLLP	Pressure Reducing Valve, Lead-Free, FNPT Union x FNPT, Plug	4800-OPRV	\$3,033.00
112-600XLLSC	Pressure Reducing Valve, Lead-Free, FNPT Union x FNPT, Sealed Cage, SS Adj Screw	4800-OPRV	\$3,165.00
112-600XLLSCCH	1-1/2" 600XL PRV SEAL CAGE CHROME LEAD FREE	4800-OPRV	\$3,723.00
114-600XL	Pressure Reducing Valve, Lead-Free, FNPT Union x FNPT	4800-OPRV	\$1,952.00
114-600XL3	1-1/4" 600XL3 PRV 15-75 PSI Single Union Fem X Fem NPT Tap for Gauge Lead Free	4800-OPRV	\$1,952.00
114-600XL3C	1-1/4" 600XL3 PRV 15-75 PSI Sgl Union Cpr Swt X Fem NPT Tap for Gauge Lead Free	4800-OPRV	\$1,952.00
114-600XL3DU	1-1/4" 600XL3 PRV 15-75 PSI Double Unions w/ Fem NPT Outlet Tap for Gge Lead Fr	4800-OPRV	\$2,117.00
114-600XL3DUC	1-1/4" 600XL3 PRV 15-75 PSI Dbl Union Cpr Sw w/ Fem NPT Outl Tap for Gge Lead Fr	4800-OPRV	\$2,117.00
114-600XL3DUCHR	1-1/4" 600XL3 PRV 60-125 PSI Dbl Union Cpr Sw w/ Fem NPT Outlet Tap for Gge Lead	4800-OPRV	\$2,306.00
114-600XL3G	1-1/4" 600XL3 PRV 15-75 PSI Single Union X Fem NPT w/ Gauge Lead Free	4800-OPRV	\$2,062.00
114-600XL3HR	1-1/4" 600XL3 PRV 60-125 PSI Single Union X Fem NPT Tap for Gauge Lead Free	4800-OPRV	\$2,132.00
114-600XLC	Pressure Reducing Valve, Lead-Free, Female CU SWT Union x FNPT	4800-OPRV	\$1,952.00
114-600XLCF	1-1/4" 600XL CXC, W/PLUG LEAD FREE	4800-OPRV	\$2,016.00
114-600XLG	Pressure Reducing Valve, Lead-Free, FNPT Union x FNPT, Gauge	4800-OPRV	\$2,062.00
114-600XLHLR	Pressure Reducing Valve, Lead-Free, FNPT Union x FNPT, Hi-Lo Pressure 10-125 psi, Set 50 psi	4800-OPRV	\$2,205.00
114-600XLHLRSCCH	1-1/4" 600XL PRV HI LO RING SEAL CAGE W/CHROME TRIM	4800-OPRV	\$2,685.00
114-600XLHR	Pressure Reducing Valve, Lead-Free, FNPT Union x FNPT, Hi Pressure 75-125 psi, Set 85 psi	4800-OPRV	\$2,132.00
114-600XLHRC	Pressure Reducing Valve, Lead-Free, Female CU SWT Union x FNPT, Hi Pressure 75-125 psi, Set 85 psi	4800-OPRV	\$2,132.00
114-600XLHRP	1-1/4" 600XL HI RING W/PLUG LEAD FREE114" 600XLHHRGWPLUGL	4800-OPRV	\$2,197.00
114-600XLHRSC	1-1/4" 600XL HI RING SEAL CAGE LF114" 600XLHHRGSEALCA	4800-OPRV	\$2,258.00
114-600XLHSTSC	1-1/4" 600XLHSTSC W/SS TRIM SEAL CAGE LEAD FREE114" 600XLHSTSTRIMSE	4800-OPRV	\$2,454.00
114-600XLHSTSCC	1 1/4" 600XLHSTSC W/FC LEAD FREE	4800-OPRV	\$2,454.00
114-600XLL	1-1/4" 600XL L/BYPASS LEAD FREE	4800-OPRV	\$2,077.00
114-600XLLPV	Pressure Reducing Valve, Lead-Free, FNPT Union x FNPT, Lo Press 10-35 psi, Set 20, HT 180°F	4800-OPRV	\$2,619.00
114-600XLLVHR	Pressure Reducing Valve, Lead-Free, FNPT Union x FNPT, Las Virgenes, 75-125 psi, Set 85 psi	4800-OPRV	\$2,493.00
114-600XLLVHRP	1-1/4" 600XL LAS VIRGENES, HR, PLUGGED	4800-OPRV	\$2,556.00
114-600XLLP	Pressure Reducing Valve, Lead-Free, FNPT Union x FNPT, Plug	4800-OPRV	\$2,016.00
114-600XLLSC	Pressure Reducing Valve, Lead-Free, FNPT Union x FNPT, Sealed Cage, SS Adj Screw	4800-OPRV	\$2,077.00
114-600XLLSCC	1-1/4" 600XL SEAL CAGE CXC LF114" 600XLSEALCAGECXC	4800-OPRV	\$2,077.00
12-600XL	Pressure Reducing Valve, Lead-Free, FNPT Union x FNPT	4800-OPRV	\$742.00
12-600XL-BAA	1/2" 600 PRV 25-75 PSI Union Inlet Fem x Fem NPT Lead Free, BAA Compliant	4800-OPRV	\$816.00
12-600XLC	Pressure Reducing Valve, Lead-Free, Female CU SWT Union x FNPT	4800-OPRV	\$742.00
12-600XLCG	1/2" 600XL W/GAUGE FC LEAD FREE	4800-OPRV	\$860.00
12-600XLCF	1/2" 600XL W/PLUG /FC LEAD FREE	4800-OPRV	\$819.00
12-600XLG	Pressure Reducing Valve, Lead-Free, FNPT Union x FNPT, Gauge	4800-OPRV	\$852.00
12-600XLHLR	Pressure Reducing Valve, Lead-Free, FNPT Union x FNPT, Hi-Lo Pressure 10-125 psi, Set 50 psi	4800-OPRV	\$835.00
12-600XLHLRCG	1/2" 600XLHLR CXC W/GAUGE LEAD FREE12" 600XLHLRXCXCWGAUGE	4800-OPRV	\$957.00

12-600XLHLRP	1/2" 600XL HI LO RING, W/PLUG LEAD FREE	4800-OPRV	\$877.00
12-600XLHR	Pressure Reducing Valve, Lead-Free, FNPT Union x FNPT, Hi Pressure 75-125 psi, Set 85 psi	4800-OPRV	\$808.00
12-600XLHRHSTSC	1/2" 600XLHR W/HSTSC	4800-OPRV	\$999.00
12-600XLHSTSC	1/2" 600XLHTR W/SS TRIM, SEAL CAGE LEAD FREE12" 600XLHTRWSSSTRIMSEA	4800-OPRV	\$935.00
12-600XLLPV	Pressure Reducing Valve, Lead-Free, FNPT Union x FNPT, Lo Press 10-35 psi, Set 20, HT 180°F	4800-OPRV	\$815.00
12-600XLLPVG	1/2" 600XL LPV W/GAUGE LEAD FREE12" 600XLLPVWGAUGELEA	4800-OPRV	\$1,105.00
12-600XLLPVHSTSC	1/2" 600XL Low Press. Range Hi Temp W/SS Trim Sealed Cage Lead Free	4800-OPRV	\$1,182.00
12-600XLLPVSC	Pressure Reducing Valve, Lead-Free, FNPT Union x FNPT, Lo Press 10-35 psi, Set 20, HT 180°F, Sealed Cage	4800-OPRV	\$853.00
12-600XLLP	Pressure Reducing Valve, Lead-Free, FNPT Union x FNPT, Plug	4800-OPRV	\$808.00
12-600XLLSC	Pressure Reducing Valve, Lead-Free, FNPT Union x FNPT, Sealed Cage, SS Adj Screw	4800-OPRV	\$789.00
1-600XL	Pressure Reducing Valve, Lead-Free, FNPT Union x FNPT	4800-OPRV	\$999.00
1-600XL3	1" 600XL3 PRV 15-75 PSI Single Union X Fem NPT Tap for Gauge Lead Free	4800-OPRV	\$999.00
1-600XL3C	1" 600XL3 PRV 15-75 PSI Sgl Union Copper Swt X Fem NPT Tap for Gauge Lead Free	4800-OPRV	\$999.00
1-600XL3DU	1" 600XL3 PRV 15-75 PSI Double Unions w/ Fem NPT Outlet Tap for Gauge Lead Free	4800-OPRV	\$1,077.00
1-600XL3DUBP	1" 600XL3 PRV 15-75 PSI Low Flow Bypass Double Unions Tap for Gauge Lead Free	4800-OPRV	\$1,077.00
1-600XL3DUC	1" 600XL3 PRV 15-75 PSI Dbl Union Cpr Sw w/ Fem NPT Outlet Tap for Gge Lead Free	4800-OPRV	\$1,077.00
1-600XL3DUCG	1" 600XL3 PRV 15-75 PSI Dbl Union Cpr Sw w/ Fem NPT Outlet w/Gauge Lead Free	4800-OPRV	\$1,193.00
1-600XL3DUCHR	1" 600XL3 PRV 60-125 PSI Dbl Union Cpr Sw w/ Fem NPT Outlet Tap for Gge Lead Free	4800-OPRV	\$1,174.00
1-600XL3DUHR	1" 600XL3 PRV 60-125 PSI Double Union X Fem NPT Tap for Gauge Lead Free	4800-OPRV	\$1,173.00
1-600XL3DUHRBP	1" 600XL3 PRV 60-125PSI Low Flow Bypa Dbl Union X Fem NPT Tap For Gaug Lead Free	4800-OPRV	\$1,152.00
1-600XL3G	1" 600XL3 PRV 15-75 PSI Single Union X Fem NPT w/ Gauge Lead Free	4800-OPRV	\$1,107.00
1-600XL3HR	1" 600XL3 PRV 60-125PSI Single Union X Fem NPT Tap for Gauge Lead Free	4800-OPRV	\$1,087.00
1-600XL3STAND	Stand, Display, 1-600XL3 and 1-625XL3	4800-OPRV	\$191.00
1-600XLC	Pressure Reducing Valve, Lead-Free, Female CU SWT Union x FNPT	4800-OPRV	\$999.00
1-600XLC-BAA	1" 600 PRV 25-75 PSI Union Inlet Cpr Swt X NPT Lead Free, BAA Compliant	4800-OPRV	\$1,100.00
1-600XLCG	1" 600XL W/GAUGE FC LEAD FREE	4800-OPRV	\$1,106.00
1-600XLCF	1" 600XL CHROME LEAD FREE	4800-OPRV	\$1,175.00
1-600XLCPL	1" 600XL W/PLUG /FC LEAD FREE	4800-OPRV	\$1,063.00
1-600XLCPCV	Pressure Reducing Valve, Lead-Free, CPVC Union x FNPT	4800-OPRV	\$999.00
1-600XLDM	1" 600XL DBL METER LEAD FREE1" 600XLDBLMETERLEADF	4800-OPRV	\$1,238.00
1-600XLDMHR	1" 600XL DBL MTR HI RING LEAD FREE	4800-OPRV	\$1,329.00
1-600XLDMHRSC	1" 600XL DBL MTR HR SEAL CAGE LF	4800-OPRV	\$1,390.00
1-600XLG	Pressure Reducing Valve, Lead-Free, FNPT Union x FNPT, Gauge	4800-OPRV	\$1,107.00
1-600XLHLR	Pressure Reducing Valve, Lead-Free, FNPT Union x FNPT, Hi-Lo Pressure 10-125 psi, Set 50 psi	4800-OPRV	\$1,123.00
1-600XLHLRG	1" 600XL HI LO W/GAUGE LEAD FREE1" 600XLHLOWGAUGELEA	4800-OPRV	\$1,233.00
1-600XLHLRHSTSC	1" 600XLHSTSC HI LO RING W/PLUG LF	4800-OPRV	\$1,443.00
1-600XLHLRHSTSCP	1" 600 PRV 10-125psi Union Inlet FemxFem NPT Les Bypas Chrom Stem/Pingr Tap w/Gau	4800-OPRV	\$1,892.00
1-600XLHLRLUSC	1" 600XLHLR LU SEAL CAGE LEAD FREE1" 600XLHLRLUSEALCAGE	4800-OPRV	\$1,202.00
1-600XLHLRLUSCP	1" 600 PRV 10-125 PSI Fem x Fem NPT SS trim Tap for gauge Lead Free	4800-OPRV	\$1,273.00
1-600XLHLRSCC	1" 600XL PRV HI LO RING, SEALED CAGE CXC LEAD FREE	4800-OPRV	\$1,195.00
1-600XLHLRSCG	1" 600XLHLRSC W/GAGE1" 600XLHLRSCWGAGE	4800-OPRV	\$1,353.00
1-600XLHLRSCP	1" 600XLHLRSC W/PLUG LEAD FREE	4800-OPRV	\$1,252.00
1-600XLHR	Pressure Reducing Valve, Lead-Free, FNPT Union x FNPT, Hi Pressure 75-125 psi, Set 85 psi	4800-OPRV	\$1,087.00
1-600XLHRC	Pressure Reducing Valve, Lead-Free, FCU SWT Union x FNPT, Hi Press 75-125 psi, Set 85 psi	4800-OPRV	\$1,085.00
1-600XLHRL	1" 600XL HI RANGE, L/BY-PASS LF	4800-OPRV	\$1,149.00
1-600XLHRLU	1" 600XL HI RING L/UN LEAD FREE1" 600XLHRLUNLEADF	4800-OPRV	\$1,146.00
1-600XLHRLUSC	1" 600XLHRLU SEAL CAGE LEAD FREE1" 600XLHRLUSEALCAGEL	4800-OPRV	\$1,164.00
1-600XLHRP	1" 600XL HI RING W/PLUG LEAD FREE1" 600XLHHRGWPLUGLEA	4800-OPRV	\$1,151.00
1-600XLHRSC	1" 600XLHR SEAL CAGE LEAD FREE1" 600XLHRSEALCAGELEA	4800-OPRV	\$1,149.00
1-600XLHSTSC	1" 600XLHSTSC LEAD FREE1" 600XLHSTSCLEADFREE	4800-OPRV	\$1,250.00
1-600XLHSTSCC	1" 600XLHSTSC W/FC LEAD FREE	4800-OPRV	\$1,247.00
1-600XLL	1" 600XL L/BY-PASS LEAD FREE1" 600XLLBYPASSLEADFR	4800-OPRV	\$1,056.00
1-600XLLPV	Pressure Reducing Valve, Lead-Free, FNPT Union x FNPT, Lo Press 10-35 psi, Set 20, HT 180°F	4800-OPRV	\$1,090.00
1-600XLLPVG	1" 600XL LPV W/GAUGE LEAD FREE	4800-OPRV	\$1,443.00
1-600XLLU	1" 600XL L/UNION LEAD FREE1" 600XLLUNIONLEADFRE	4800-OPRV	\$989.00
1-600XLLUHC	1" 600XLLU CHROME, SEAL CAGE LEAD FREE	4800-OPRV	\$1,245.00
1-600XLLUHCSC	1" 600XLLU CHROME/SEAL CAGE L/BYPASS LEAD FREE	4800-OPRV	\$1,300.00
1-600XLLUSC	1" 600XLLU SEAL CAGE LEAD FREE1" 600XLLUSEALCAGELEA	4800-OPRV	\$1,059.00
1-600XLLVHRP	1" 600XL LAS VIRGENES, HR, PLUGGED	4800-OPRV	\$1,550.00
1-600XLLP	Pressure Reducing Valve, Lead-Free, FNPT Union x FNPT, Plug	4800-OPRV	\$1,064.00
1-600XLLSC	Pressure Reducing Valve, Lead-Free, FNPT Union x FNPT, Sealed Cage, SS Adj Screw	4800-OPRV	\$1,063.00
1-600XLLSCC	1" 600XL SEAL CAGE CXC LEAD FREE1" 600XLSEALCAGECXCLE	4800-OPRV	\$1,063.00
1-600XLLSCG	1" 600XL SEAL CAGE W/GAUGE1" 600XLSEALCAGEWGAUG	4800-OPRV	\$1,169.00
1-600XLLSCP	1" 600XL SEAL CAGE W/PLUG LEAD FREE1" 600XLSEALCAGEWPLUG	4800-OPRV	\$1,125.00
2-600XL	Pressure Reducing Valve, Lead-Free, FNPT Union x FNPT	4800-OPRV	\$3,769.00

2-600XL3	2" 600XL3 PRV 15-75 PSI Single Union Fem X Fem NPT Tap for Gauge Lead Free	4800-OPRV	\$3,769.00
2-600XL3C	2" 600XL3 PRV 15-75 PSI Single Union Cpr Swt X Fem NPT Tap for Gauge Lead Free	4800-OPRV	\$3,769.00
2-600XL3DU	2" 600XL3 PRV 15-75 PSI Double Unions w/ Fem NPT Outlet Tap for Gauge Lead Free	4800-OPRV	\$4,124.00
2-600XL3DUC	2" 600XL3 PRV 15-75 PSI Dbl Union Cpr Sw w/ Fem NPT Outlet Tap for Gge Lead Free	4800-OPRV	\$4,124.00
2-600XL3DUHRG	2" 600XL3 PRV 60-125 PSI Double Unions w/ Fem NPT Outlet Tap w/gauge Lead Free	4800-OPRV	\$4,580.00
2-600XL3G	2" 600XL3 PRV 15-75 PSI Single Union X Fem NPT w/ Gauge Lead Free	4800-OPRV	\$3,881.00
2-600XL3HR	2" 600XL3 PRV 60-125 PSI Single Union X Fem NPT Tap for Gauge Lead Free	4800-OPRV	\$4,101.00
2-600XLC	Pressure Reducing Valve, Lead-Free, Female CU SWT Union x FNPT	4800-OPRV	\$3,769.00
2-600XLCG	Pressure Reducing Valve, Lead-Free, Female CU SWT Union x FNPT, Gauge	4800-OPRV	\$4,286.00
2-600XLCPL	2" 600XL W/FC PLUGGED LEAD FREE2" 600XLWFCPLUGGEDLEA	4800-OPRV	\$4,239.00
2-600XLG	Pressure Reducing Valve, Lead-Free, FNPT Union x FNPT, Gauge	4800-OPRV	\$3,881.00
2-600XLHLR	Pressure Reducing Valve, Lead-Free, FNPT Union x FNPT, Hi-Lo Pressure 10-125 psi, Set 50 psi	4800-OPRV	\$4,238.00
2-600XLHLRC	2" 600XLHLR CX LEAD FREE	4800-OPRV	\$4,644.00
2-600XLHLRCP	2" 600XLHLR FC W/PLUG L.F.2" 600XLHLRFCWPLUGLF	4800-OPRV	\$4,710.00
2-600XLHLRG	Pressure Reducing Valve, Lead-Free, FNPT Union x FNPT, Hi-Lo Pressure 10-125 psi, Set 50 psi, Gauge	4800-OPRV	\$4,351.00
2-600XLHLRSC	2" 600XL HI LO W/SEAL CAGE LD FREE	4800-OPRV	\$4,445.00
2-600XLHLRSCCH	2" 600XLHLRSC W/CHROME TRIM	4800-OPRV	\$5,131.00
2-600XLHR	Pressure Reducing Valve, Lead-Free, FNPT Union x FNPT, Hi Pressure 75-125 psi, Set 85 psi	4800-OPRV	\$4,101.00
2-600XLHRC	Pressure Reducing Valve, Lead-Free, Female CU SWT Union x FNPT, Hi Pressure 75-125 psi, Set 85 psi	4800-OPRV	\$4,506.00
2-600XLHRCH	2" 600XL HIGH RANGE CHROME LEAD FREE	4800-OPRV	\$4,752.00
2-600XLHRG	2" 600XL HI RING W/GAUGE LEAD FREE2" 600XLHIRNGWGAUGELE	4800-OPRV	\$4,200.00
2-600XLHRHTSTSC	2" 600HR W/HTSTSC LEAD FREE	4800-OPRV	\$5,036.00
2-600XLHRP	2" 600XL HI RING W/PLUG LEAD FREE2" 600XLHIRNGWPLUGLEA	4800-OPRV	\$4,161.00
2-600XLHRSC	2-600XL HI RING SEAL CAGE LEAD FREE2" 600XLHIRNGWSEALCAGEL	4800-OPRV	\$4,335.00
2-600XLHRSCG	2" 600XL HI RING SEAL CAGE W/GAUGE LEAD FREE	4800-OPRV	\$4,440.00
2-600XLHTSTSC	2" 600XLHTSTSC LEAD FREE	4800-OPRV	\$4,709.00
2-600XLHTSTSCC	2" 600XLHTSTSC W/FC LEAD FREE	4800-OPRV	\$5,113.00
2-600XLHTSTSCG	2" 600XL PRV HT W/SS TRIM SEAL CAGE & GAUGE LEAD FREE	4800-OPRV	\$4,819.00
2-600XLL	2-600XL L/BYPASS LEAD FREE	4800-OPRV	\$4,006.00
2-600XLLPV	Pressure Reducing Valve, Lead-Free, FNPT Union x FNPT, Lo Press 10-35 psi, Field Set, HT 180°F	4800-OPRV	\$4,123.00
2-600XLP	Pressure Reducing Valve, Lead-Free, FNPT Union x FNPT, Plug	4800-OPRV	\$3,838.00
2-600XLSC	Pressure Reducing Valve, Lead-Free, FNPT Union x FNPT, Sealed Cage, SS Adj Screw	4800-OPRV	\$4,006.00
2-600XLSCC	2" 600XL SEAL CAGE CX LEAD FREE2" 600XLSEALCAGECXCLE	4800-OPRV	\$4,409.00
2-600XLSCCH	2" 600XL PRV SEAL CAGE W/CHROME TRIM LEAD FREE	4800-OPRV	\$4,445.00
34-600XL	Pressure Reducing Valve, Lead-Free, FNPT Union x FNPT	4800-OPRV	\$744.00
34-600XL3	3/4" 600XL3 PRV 15-75 PSI Single Union Fem X Fem NPT Tap for Gauge Lead Free	4800-OPRV	\$744.00
34-600XL3C	3/4" 600XL3 PRV 15-75 PSI Single Union Cpr Swt X Fem NPT Tap for Gauge Lead Free	4800-OPRV	\$744.00
34-600XL3DM	3/4" 600XL3 PRV 15-75 PSI Dbl Meter Thread 7.5" Long Tap for Gauge Lead Free	4800-OPRV	\$921.00
34-600XL3DMHR	3/4" 600XL3 PRV 60-125 PSI Dbl Meter Thread 7.5" Long Tap for Gauge Lead Free	4800-OPRV	\$989.00
34-600XL3DU	3/4" 600XL3 PRV 15-75 PSI Double Unions w/ Fem NPT Outlet Tap for Gge Lead Free	4800-OPRV	\$801.00
34-600XL3DUC	3/4" 600XL3 PRV 15-75 PSI Dbl Union Cpr Sw w/ Fem NPT Outl Tap for Gge Lead Free	4800-OPRV	\$801.00
34-600XL3DUHR	3/4" 600XL3 PRV 60-125 PSI Double Union X Fem NPT Tap for Gauge Lead Free	4800-OPRV	\$921.00
34-600XL3G	3/4" 600XL3 PRV 15-75 PSI Single Union X Fem NPT w/ Gauge Lead Free	4800-OPRV	\$853.00
34-600XL3HR	3/4" 600XL3 PRV 60-125 PSI Single Union X Fem NPT Tap for Gauge Lead Free	4800-OPRV	\$812.00
34-600XL3HRLU	3/4" 600XL3 PRV 60-125 PSI Fem X Fem NPT Tap for Gauge Lead Free	4800-OPRV	\$835.00
34-600XL3LU	3/4" 600XL3 PRV 15-75 PSI Fem X Fem NPT Tap for Gauge Lead Free	4800-OPRV	\$728.00
34-600XL-45	3/4" 600XL W/45 PSI SET LEAD FREE34" 600XLW45PSISETLEA	4800-OPRV	\$744.00
34-600XLC	Pressure Reducing Valve, Lead-Free, Female CU SWT Union x FNPT	4800-OPRV	\$744.00
34-600XLCG	3/4" 600XL W/GAUGE FC LEAD FREE	4800-OPRV	\$853.00
34-600XLCH	3/4" 600XL CHROME LEAD FREE	4800-OPRV	\$879.00
34-600XLCP	3/4" 600XL W/PLUG /FC LEAD FREE	4800-OPRV	\$812.00
34-600XLCPVC	Pressure Reducing Valve, Lead-Free, CPVC Union x FNPT	4800-OPRV	\$744.00
34-600XLDM	3/4" 600XL DBL MALE MTR LEAD FREE34" 600XLDBLMALEMTRELE	4800-OPRV	\$921.00
34-600XLDMHLR	3/4" 600XL HI LO DBL MTR LEAD FREE	4800-OPRV	\$1,016.00
34-600XLDMHR	3/4" 600XLDMHR	4800-OPRV	\$989.00
34-600XLG	Pressure Reducing Valve, Lead-Free, FNPT Union x FNPT, Gauge	4800-OPRV	\$853.00
34-600XLHLR	Pressure Reducing Valve, Lead-Free, FNPT Union x FNPT, Hi-Lo Pressure 10-125 psi, Set 50 psi	4800-OPRV	\$843.00
34-600XLHLRCP	3/4" 600XLHLR FC W/PLUG L.F.34" 600XLHLRFCWPLUGLF	4800-OPRV	\$909.00
34-600XLHLRG	3/4" 600XLHLR W/GAGE	4800-OPRV	\$953.00
34-600XLHRHTSTSC	3/4" 600XL HI LO RING, HI TEMP W/SS TRIM, SEALED CAGE LF	4800-OPRV	\$1,169.00
34-600XLHRLU	3/4" 600XLLU HI LO RING LEAD FREE34" 600XLHILORNGLEA	4800-OPRV	\$863.00
34-600XLHLRLUSC	3/4" 600XLLU HI LO R SEAL CAGE LEAD FREE34" 600XLHILORSEALC	4800-OPRV	\$914.00

34-600XLHLRLUSCCH	3/4" 600XLHLRLUSC W/CHROME TRIM	4800-OPRV	\$1,002.00
34-600XLHLRLUSCP	3/4" 600 PRV 10-125 PSI Fem x Fem NPT SS trim Tap for gauge Lead Free	4800-OPRV	\$985.00
34-600XLHLRSCCH	34-600XLHLRSC W/CHROME TRIM	4800-OPRV	\$1,024.00
34-600XLHR	Pressure Reducing Valve, Lead-Free, FNPT Union x FNPT, Hi Pressure 75-125 psi, Set 85 psi	4800-OPRV	\$812.00
34-600XLHRC	Pressure Reducing Valve, Lead-Free, FCU SWT Union x FNPT, Hi Press 75-125 psi, Set 85 psi	4800-OPRV	\$812.00
34-600XLHRG	3/4" 600XLHR, W/GAUGE LEAD FREE34" 600XLHRWGAUGELEAD	4800-OPRV	\$918.00
34-600XLHRHTSTSC	3/4" 600XLHT HI RING W/SS TRIM SC LEAD FREE34" 600XLHTHIRNGWSSTR	4800-OPRV	\$1,002.00
34-600XLHRLU	3/4" 600XLLU HI RING LEAD FREE34" 600XLHUIHIRNGLEADF	4800-OPRV	\$835.00
34-600XLHLRLUCHSC	3/4" 600XLHLRLUSC W/CHROME TRIM LF	4800-OPRV	\$971.00
34-600XLHLRLUCHSCL	3/4" 600XLHRLU CHROME SEAL CAGE L/BY-PASS LF	4800-OPRV	\$915.00
34-600XLHLRLUSC	3/4" 600XLLU HI RING SEAL CAGE LEAD FREE34" 600XLHUIHIRNGSEALC	4800-OPRV	\$887.00
34-600XLHRP	3/4" 600XL HR W/PLUG LEAD FREE34" 600XLHRWPLUGLEADF	4800-OPRV	\$879.00
34-600XLHRSC	3/4" 600XLHR, SEALED CAGE34" 600XLHRSEALEDCAGE	4800-OPRV	\$860.00
34-600XLHRSCG	3/4" 600XLHR SEAL CAGE W/GAUGE LEAD FREE34" 600XLHRSEALCAGEW	4800-OPRV	\$966.00
34-600XLHTSTSC	3/4" 600XLHT W/SS TRIM, SC LEAD FREE34" 600XLHTSSSTRIMSC	4800-OPRV	\$936.00
34-600XLHTSTSCC	3/4" 600XLHTSTSC W/CX SWT34" 600XLHTSTSCWCXCSW	4800-OPRV	\$936.00
34-600XLHTSTSCG	3/4" 600XLHT W/SS TRIM SC GAUGE LEAD FREE34" 600XLHTSSSTRIMSCG	4800-OPRV	\$1,044.00
34-600XLHTSTSCP	3/4" 600 PRV 25-75 PSI Union Inlet Fem x Fem NPT SS trim 180F Tap for gau	4800-OPRV	\$1,006.00
34-600XLL	3/4" 600XL L/BY-PASS LEAD FREE	4800-OPRV	\$788.00
34-600XLLP	3/4" 600XL L/BY-PASS W/PLUG LEAD FREE	4800-OPRV	\$856.00
34-600XLLPV	Pressure Reducing Valve, Lead-Free, FNPT Union x FNPT, Lo Press 10-35 psi, Set 20, HT 180°F	4800-OPRV	\$818.00
34-600XLLPVC	Pressure Reducing Valve, Lead-Free, FCU SWT Union x FNPT, Lo Press 10-35 psi, Hi Temp 180 °F	4800-OPRV	\$998.00
34-600XLLPVP	3/4" 600XLLPV CX W/PLUG LEAD FREE34" 600XLLPVXCWPLUGL	4800-OPRV	\$1,063.00
34-600XLLPVG	3/4" 600XL LPV W/GAUGE LEAD FREE34" 600XLLPVWGAUGELEA	4800-OPRV	\$1,106.00
34-600XLLPVHTSTSC	3/4" 600XL Low Press. Range Hi Temp W/SS Trim Sealed Cage Lead Free	4800-OPRV	\$1,189.00
34-600XLLPVSC	Pressure Reducing Valve, Lead-Free, FNPT Union x FNPT, Lo Press 10-35 psi, Set 20, HT 180°F, Sealed Cage	4800-OPRV	\$856.00
34-600XLLPVSCC	3/4" 600XL LPV SEAL CAGE CX LEAD FREE	4800-OPRV	\$996.00
34-600XLLU	3/4" 600XL L/UN LEAD FREE34" 600XLUNLEADFREE	4800-OPRV	\$728.00
34-600XLULCHSC	3/4" 600XLLU CHROME SEAL CAGE LEAD FREE	4800-OPRV	\$909.00
34-600XLULCHSCL	3/4" 600XLLU CH SC L/BY-PASS LEAD FREE	4800-OPRV	\$957.00
34-600XLLUL	3/4" 600XL L/UN/BY-PASS LEAD FREE	4800-OPRV	\$776.00
34-600XLLULPV	3/4" 600XL PRV LESS UNION LOW PRSS VLV LEAD FREE	4800-OPRV	\$978.00
34-600XLLUM	3/4" 600XL L/UN SEAL CAGE LEAD FREE34" 600XLUNSEALCAGEL	4800-OPRV	\$789.00
34-600XLM	3/4" 600XL MALE NPT LEAD FREE	4800-OPRV	\$812.00
34-600XLP	Pressure Reducing Valve, Lead-Free, FNPT Union x FNPT, Plug	4800-OPRV	\$812.00
34-600XLSC	Pressure Reducing Valve, Lead-Free, FNPT Union x FNPT, Sealed Cage, SS Adj Screw	4800-OPRV	\$790.00
RK112-600XL	PRV Repair Kit, Lead-Free - 600XL	4800-PART	\$227.00
RK112-600XLHLR	PRV Repair Kit, Lead-Free - 600XLHLR	4800-PART	\$307.00
RK112-600XLHR	PRV Repair Kit, Lead-Free - 600XLHR	4800-PART	\$307.00
RK112-600XLHTSTSC	REPAIR KIT, 1-1/2" 600XLHTSTSCREPAIRKIT112" 600XLHT	4800-PART	\$319.00
RK114-600XL	PRV Repair Kit, Lead-Free - 600XL	4800-PART	\$112.00
RK114-600XLHLR	PRV Repair Kit, Lead-Free - 600XLHLR	4800-PART	\$281.00
RK114-600XLHR	PRV Repair Kit, Lead-Free - 600XLHR	4800-PART	\$170.00
RK114-600XLHTSTSC	REPAIR KIT, 1-1/4" 600XLHRHTSTSCREPAIRKIT114" 600XHLR	4800-PART	\$189.00
RK12-600XL	PRV Repair Kit, Lead-Free - 600XL	4800-PART	\$79.00
RK12-600XLHLR	PRV Repair Kit, Lead-Free - 600XLHLR	4800-PART	\$95.00
RK12-600XLHR	PRV Repair Kit, Lead-Free - 600XLHR	4800-PART	\$95.00
RK12-600XLHTSTSC	REPAIR KIT, 1/2" 600XLHTSTSC	4800-PART	\$224.00
RK12-600XLHTSTSC	REPAIR KIT, 1/2" 600XLHTSTSCREPAIRKIT12" 600XLHTS	4800-PART	\$113.00
RK1-600XL	PRV Repair Kit, Lead-Free - 600XL	4800-PART	\$86.00
RK1-600XLHLR	PRV Repair Kit, Lead-Free - 600XLHLR	4800-PART	\$113.00
RK1-600XLHR	PRV Repair Kit, Lead-Free - 600XLHR	4800-PART	\$113.00
RK1-600XLHTSTSC	REPAIR KIT 1" 600XLHTSTSCREPAIRKIT1" 600XLHTST	4800-PART	\$166.00
RK1-600XLPK	REP KIT, 1" 600XL PRO-KITREPKIT1" 600XLPROKIT	4800-PART	\$86.00
RK2-600XL	PRV Repair Kit, Lead-Free - 600XL	4800-PART	\$276.00
RK2-600XLHLR	PRV Repair Kit, Lead-Free - 600XLHLR	4800-PART	\$320.00
RK2-600XLHR	PRV Repair Kit, Lead-Free - 600XLHR	4800-PART	\$320.00
RK2-600XLHTSTSC	REPAIR KIT, 2" 600XLHTSTSCREPAIRKIT2" 600XLHTST	4800-PART	\$370.00
RK2-600XLLPV	Repair Kit, 2" 600 PRV 10-35 PSI 180F Union Inlet Fem x Fem NPT Lead Free	4800-PART	\$263.00
RK34-600XL	PRV Repair Kit, Lead-Free - 600XL	4800-PART	\$79.00
RK34-600XLHLR	PRV Repair Kit, Lead-Free - 600XLHLR	4800-PART	\$101.00
RK34-600XLHR	PRV Repair Kit, Lead-Free - 600HR	4800-PART	\$101.00
RK34-600XLHRHTSTSC	REPAIR KIT, 3/4" 600XLHRHTSTSCREPAIRKIT34" 600XLHRS	4800-PART	\$322.00
RK34-600XLHTSTSC	REPAIR KIT 3/4" 600XLHTSTSCREPAIRKIT34" 600XLHTST	4800-PART	\$147.00
RK34-600XLPK	REP KIT, 3/4" 600XL LF PRO-KITREPKIT34" 600XLFPROK	4800-PART	\$79.00
RK1-600XLHRHTSTSC	REPAIR KIT, 1" 600XLHRHTSTSC	4800-PART	\$245.00
112-610XL	Pressure Reducing Valve, Lead-Free, FNPT Union x FNPT	4800-OPRV	\$3,116.00
112-610XLC	Female CU SWT Union x FNPT	4800-OPRV	\$3,116.00
112-610XLHLR	1-1/2" 610XL HI LO RING LEAD FREE112" 610XLHILORNGLEAD	4800-OPRV	\$3,520.00
112-610XLP	1-1/2" 610XL PLUGGED	4800-OPRV	\$3,183.00
114-610XL	Pressure Reducing Valve, Lead-Free, FNPT Union x FNPT	4800-OPRV	\$2,120.00
114-610XLC	114-610XL W/FC LEAD FREE114610XLWFCLEADFREE	4800-OPRV	\$2,120.00
114-610XLG	1-1/4" 610XL W/GAUGE LEAD FREE	4800-OPRV	\$2,232.00
114-610XLHLR	1-1/4" 610XL HI LO RING LEAD FREE114" 610XLHILORNGLEAD	4800-OPRV	\$2,370.00
114-610XLLPV	1-1/4" 600XL LAS VIRGENES, PLUGGED	4800-OPRV	\$3,110.00
114-625XL3	1-1/4" 625XL3 Comp Repl Prv 15-75 PSI Sgl Union X Fem NPT Tap for Gge Lead Free	4800-OPRV	\$1,872.00

114-625XL3C	1-1/4" 625XL3 Comp Repl PRV 15-75 PSI Sgl Union CprSwfXFem NPT Tapped Lead Fr	4800-OPRV	\$1,872.00
114-625XL3G	1-1/4" 625XL3 Comp Repl PRV 15-75 PSI Single Union X Fem NPT w/ Gauge Lead Free	4800-OPRV	\$1,978.00
114-625XL3HR	1-1/4" 625XL3 Comp Repl PRV 60-125 PSI Sgl Union X Fem NPT Tap for Gge Lead Free	4800-OPRV	\$2,046.00
114-625XL3HRC	1-1/4" 625XL3 Comp Repl PRV 60-125 PSI Sgl Union CprSwfXFem NPT Tapped Lead Fr	4800-OPRV	\$2,046.00
12-610XL	Pressure Reducing Valve, Lead-Free, FNPT Union x FNPT	4800-OPRV	\$850.00
12-610XLC	Female CU SWT Union x FNPT	4800-OPRV	\$850.00
1-610XL	Pressure Reducing Valve, Lead-Free, FNPT Union x FNPT	4800-OPRV	\$1,212.00
1-610XLC	Female CU SWT Union x FNPT	4800-OPRV	\$1,212.00
1-610XLCH	1" 610XL CHROME LEAD FREE	4800-OPRV	\$1,390.00
1-610XLHLR	1" 610XL HI LO RING LEAD FREE	4800-OPRV	\$1,339.00
1-610XLLUSC	1" 610XL L/UN SEAL CAGE LEAD FREE	4800-OPRV	\$1,276.00
1-610XLLVP	1" 610XL LAS VIRGENES, PLUGGED	4800-OPRV	\$1,502.00
1-610XLP	1" 610XL PLUGGED	4800-OPRV	\$1,277.00
2-610XL	Pressure Reducing Valve, Lead-Free, FNPT Union x FNPT	4800-OPRV	\$3,869.00
2-610XLC	Female CU SWT Union x FNPT	4800-OPRV	\$3,869.00
2-610XLG	2" 610XL W/GAUGE LEAD FREE2" 610XLWGAUGELEADFRE	4800-OPRV	\$3,978.00
2-610XLS	2" 610XL SEAL CAGE LEAD FREE2" 610XLSEALCAGELEADF	4800-OPRV	\$4,103.00
34-610XL	Pressure Reducing Valve, Lead-Free, FNPT Union x FNPT	4800-OPRV	\$851.00
34-610XLC	Female CU SWT Union x FNPT	4800-OPRV	\$851.00
34-610XLHLR	3/4" 610XL HI LO RING LEAD FREE34" 610XLHILORNGLEADF	4800-OPRV	\$939.00
34-610XLLU	3/4" 610XL L/UN LEAD FREE34" 610XLLUNLEADFREE	4800-OPRV	\$993.00
34-610XLLUL	3/4" 610XL L/UN /BY-PASS LEAD FREE	4800-OPRV	\$878.00
34-610XLLUSC	3/4" 610XL L/UN SEAL CAGE LEAD FREE34" 610XLLUNSEALCAGEL	4800-OPRV	\$928.00
RK112-610XL	PRV Repair Kit, Lead-Free - 610XL	4800-PART	\$281.00
RK114-610XL	PRV Repair Kit, Lead-Free - 610XL	4800-PART	\$147.00
RK12-610XL	PRV Repair Kit, Lead-Free - 610XL	4800-PART	\$94.00
RK1-610XL	PRV Repair Kit, Lead-Free - 610XL	4800-PART	\$109.00
RK2-610XL	PRV Repair Kit, Lead-Free - 610XL	4800-PART	\$299.00
RK34-610XL	PRV Repair Kit, Lead-Free - 610XL	4800-PART	\$94.00
1-625XL	1" 625XL VALVE (SU) LEAD FREE	4800-OPRV	\$999.00
1-625XL3	1" 625XL3 Comp Repl PRV 15-75 PSI Sgl Union X Fem NPT Tap for Gauge Lead Free	4800-OPRV	\$999.00
1-625XL3C	1" 625XL3 Comp Repl PRV 15-75 PSI Sgl Union CprSwfXFem NPT Tap for Gge Lead Free	4800-OPRV	\$999.00
1-625XL3G	1" 625XL3 Comp Repl PRV 15-75 PSI Single Union X Fem NPT w/ Gauge Lead Free	4800-OPRV	\$999.00
1-625XL3HR	1" 625XL3 Comp Repl PRV 60-125 PSI Single Union X Fem NPT Tap for Gge Lead Free	4800-OPRV	\$1,087.00
1-625XLC	1" 625XL PRV W/FEMALE COPPER SWEAT LEAD FREE	4800-OPRV	\$999.00
1-625XLSULU	1" 625XL PRV SINGLE UNION LESS UNION	4800-OPRV	\$970.00
16 ZW204	16" ZW204 On/Off Fit Vlv Glb Body ANSI 150 Flg SS seat Cpr Tube Remote Mnt Plt	4800-OPRV	\$47,139.00
34-625XL	3/4" 625XL VALVE (SU) LEAD FREE	4800-OPRV	\$744.00
34-625XL3	3/4" 625XL3 Comp Repl PRV 15-75 PSI Sgl Union FemXFem NPT Tap for Gge Lead Free	4800-OPRV	\$744.00
34-625XL3C	3/4" 625XL3 Comp Repl PRV 15-75 PSI Sgl Union CprSwfXFem NPT Tap for Gg Lead Fre	4800-OPRV	\$744.00
34-625XL3G	3/4" 625XL3 Comp Repl PRV 15-75 PSI Single Union X Fem NPT w/ Gauge Lead Free	4800-OPRV	\$744.00
34-625XL3HR	3/4" 625XL3 Comp Repl PRV 60-125 PSI Sgl Union X Fem NPT Tap for Gge Lead Free	4800-OPRV	\$861.00
34-625XL3HRC	3/4" 625XL3 Comp Rplmt PRV 60-125 PSI Singl Inlt CprSwfXFem NPT Tap for Gg	4800-OPRV	\$861.00
34-625XLC	3/4" 625XL PRV W/FEMALE COPPER SWEAT LEAD FREE	4800-OPRV	\$744.00
34-625XLSULU	3/4" 625XL PRV SINGLE UNION LESS UNION	4800-OPRV	\$716.00
34-625XLSULUSC	3/4" 625 Comptr Rplmt PRV 25-75 PSI Use extng unn x Fem NPT SS trim Lead Free	4800-OPRV	\$771.00
PKI-RK1-625XL	RK CLAMSHELL INSERT, 625XL	4800-PART	\$20.00
PKI-RK34-625XL	RK CLAMSHELL INSERT, 625XL	4800-PART	\$20.00
PR2-19XL	Tailpiece, 3/4" Press Fit	4800-OPRV	\$69.00
PR3-19XL	Tailpiece, 1" Press Fit	4800-OPRV	\$103.00
PR-CARTXL	CART ASSEMBLY, PRXL LEAD FREE	4800-OACV	\$212.00
RK1-625XL	REPAIR KIT, 1" 625XL LEAD FREE	4800-PART	\$388.00
RK16-ZW200C	REPAIR KIT, MAIN VALVE ONLY, COMPLETE, ACV, 16"	4800-OACV	\$11,123.00
RK34-625XL	REPAIR KIT, 3/4" 625XL LEAD FREE	4800-PART	\$369.00
112UFX12F-700FPBS	Dual Check Valve, Union FBSPP x FBSPP, British Straight	4800-OSBF	\$787.00
114UFX114F-700FPBS	Dual Check Valve, Union FBSPP x FBSPP, British Straight	4800-OSBF	\$756.00
RK1-700FP	Repair Kit - 700FP, 1", 1-1/4" & 1-1/2"	4800-PART	\$78.00
114UFMX11UF-700XL	MODEL 700XL	4800-OSBF	\$365.00
12FCX12FC-700XL	Dual Check Valve, Lead-Free, Female CU SWT x Union Female CU SWT	4800-OSBF	\$228.00
12FX12UF-700XL	MODEL 700XL, LEAD FREEMODEL700XLLEADFREE	4800-OSBF	\$256.00
12UFX12FC-700XL	Dual Check Valve, Lead-Free, Union Female CU SWT x Female CU SWT	4800-OSBF	\$228.00
12UFX12F-700XL	Dual Check Valve, Lead-Free, Union FNPT x FNPT	4800-OSBF	\$195.00
12UFX12F-700XLCH	MODEL 700XL, LEAD FREEMODEL700XLLEADFREE	4800-OSBF	\$378.00
14UFX14F-700XL	Dual Check Valve, Lead-Free, Union FNPT x FNPT	4800-OSBF	\$195.00
14UFX14F-700XLCH	14UFX14F-700XLCH	4800-OSBF	\$378.00
1FX1UF-700XL	Dual Check Valve, Lead-Free, FNPT x Union FNPT	4800-OSBF	\$300.00
1MMX1UF-700XL	Dual Check Valve, Lead-Free, Male Meter x Union FNPT	4800-OSBF	\$312.00
1MX1UF-700XL	Dual Check Valve, Lead-Free, MNPT x Union FNPT	4800-OSBF	\$258.00
1MX1UFM-700XL	Dual Check Valve, Lead-Free, MNPT x Union Female Meter	4800-OSBF	\$349.00
1UFCPCV34F-700XL	Dual Check Valve, Lead-Free, Union Female CPVC x FNPT	4800-OSBF	\$368.00
1UFCX1F-700XL	Dual Check Valve, Lead-Free, Union Female CU SWT x FNPT	4800-OSBF	\$340.00
1UFCX1M-700XL	Dual Check Valve, Lead-Free, Union Female CU SWT x MNPT	4800-OSBF	\$340.00
1UFMX1F-700XL	Dual Check Valve, Lead-Free, Union Female Meter x FNPT	4800-OSBF	\$296.00
1UFMX1M-700XL	Dual Check Valve, Lead-Free, Union Female Meter x MNPT	4800-OSBF	\$192.00
1UFMX1M-700XL	Dual Check Valve, Lead-Free, Union Female Meter x Male Meter	4800-OSBF	\$214.00
1UFMX1UF-700XL	Dual Check Valve, Lead-Free, Union Female Meter x Union FNPT	4800-OSBF	\$214.00
1UFMX1UFM-700XL	Dual Check Valve, Lead-Free, Union Female Meter x Union Female Meter	4800-OSBF	\$415.00

1UFMX34F-700XL	Dual Check Valve, Lead-Free, Union Female Meter x FNPT	4800-OSBF	\$282.00
1UFMX34M-700XL	Dual Check Valve, Lead-Free, Union Female Meter x MNPT	4800-OSBF	\$237.00
1UFMX34UF-700XL	Dual Check Valve, Lead-Free, Union Female Meter x Union FNPT	4800-OSBF	\$208.00
1UFMX34UM-700XL	Dual Check Valve, Lead-Free, Union Female Meter x Union MNPT	4800-OSBF	\$390.00
1UFMX34UMM-700XL	Dual Check Valve, Lead-Free, Union Female Meter x Male Meter	4800-OSBF	\$256.00
1UFX1F-700XL	Dual Check Valve, Lead-Free, Union FNPT x FNPT	4800-OSBF	\$214.00
1UFX1M-700XL	Dual Check Valve, Lead-Free, Union FNPT x MNPT	4800-OSBF	\$346.00
1UFX1MM-700XL	Dual Check Valve, Lead-Free, Union FNPT x Male Meter	4800-OSBF	\$310.00
1UFX34F-700XL	Dual Check Valve, Lead-Free, Union FNPT x FNPT	4800-OSBF	\$255.00
1UFX34M-700XL	Dual Check Valve, Lead-Free, Union FNPT x MNPT	4800-OSBF	\$300.00
1UMX1F-700XL	Dual Check Valve, Lead-Free, Union MNPT x FNPT	4800-OSBF	\$300.00
1UMX1M-700XL	Dual Check Valve, Lead-Free, Union MNPT x MNPT	4800-OSBF	\$300.00
34FX34UF-700XL	Dual Check Valve, Lead-Free, FNPT x Union FNPT	4800-OSBF	\$255.00
34MX34UF-700XL	Dual Check Valve, Lead-Free, MNPT x Union FNPT	4800-OSBF	\$227.00
34UFCPCV34F-700XL	Dual Check Valve, Lead-Free, Union Female CPVC x FNPT	4800-OSBF	\$308.00
34UFCX34F-700XL	Dual Check Valve, Lead-Free, Union Female CU SWT x FNPT	4800-OSBF	\$308.00
34UFCX34M-700XL	Dual Check Valve, Lead-Free, Union Female CU SWT x MNPT	4800-OSBF	\$258.00
34UFMX1M-700XL	Dual Check Valve, Lead-Free, Union Female Meter x MNPT	4800-OSBF	\$203.00
34UFMX34F-700XL	Dual Check Valve, Lead-Free, Union Female Meter x FNPT	4800-OSBF	\$258.00
34UFMX34M-700XL	Dual Check Valve, Lead-Free, Union Female Meter x MNPT	4800-OSBF	\$271.00
34UFMX34MM-700XL	Dual Check Valve, Lead-Free, Union Female Meter x Male Meter	4800-OSBF	\$208.00
34UFX1F-700XL	Dual Check Valve, Lead-Free, Union FNPT x FNPT	4800-OSBF	\$324.00
34UFX1MM-700XL	Dual Check Valve, Lead-Free, Union FNPT x Male Meter	4800-OSBF	\$273.00
34UFX34F-700XL	Dual Check Valve, Lead-Free, Union FNPT x FNPT	4800-OSBF	\$208.00
34UFX34M-700XL	Dual Check Valve, Lead-Free, Union FNPT x MNPT	4800-OSBF	\$258.00
34UFX34MM-700XL	Dual Check Valve, Lead-Free, Union FNPT x Male Meter	4800-OSBF	\$262.00
38UFX38F-700XL	Dual Check Valve, Lead-Free, Union FNPT x FNPT	4800-OSBF	\$195.00
38UFX38F-700XLCH	MODEL 700XL CHROME, LEAD FREEMODEL700XLCHROMELEAD	4800-OSBF	\$378.00
112UFX112F-700XLP	1-1/2" 700XLP FC X NPT LEAD FREE	4800-OSBF	\$520.00
112UFX112F-700XLP	1-1/2" 700XLP W/NPT THDS LEAD FREE	4800-OSBF	\$520.00
114UFMX114F-700XLP	1-1/4" 700XLP W/MTR THD X NPT LEAD FREE	4800-OSBF	\$552.00
114UFX11F-700XLP	700XLP 1-1/4" FNPSH X 1" FNPT LEAD FREE	4800-OSBF	\$552.00
114UFX114F-700XLP	1-1/4" 700XLP W/NPT THD LEAD FREE	4800-OSBF	\$552.00
1UFX1F-700XLP	1" 700XLP W/NPT THD LEAD FREE	4800-OSBF	\$651.00
1-70XL	Pressure Reducing Valve, Lead-Free, FNPT Union x FNPT	4800-OPRV	\$798.00
1-70XL-BAA	1" 70 PRV 25-75 PSI Union Inlet Fem x Fem NPT Lead Free, BAA Compliant	4800-OPRV	\$878.00
1-70XLC	Pressure Reducing Valve, Lead-Free, Female CU SWT Union x FNPT	4800-OPRV	\$791.00
1-70XLCG	1" 70 PRV 25-75 PSI Union Inlet Cpr Swt x NPT Tap w/ gauge Lead Free	4800-OPRV	\$894.00
1-70XLCPC	1" 70XL CXK TAPPED W/PLUG LEAD FREE1" 70XLCXCTAPPEDWPLUG	4800-OPRV	\$857.00
1-70XLDDU	Pressure Reducing Valve, Lead-Free, Double Union FNPT	4800-OPRV	\$878.00
1-70XLDDU-BAA	1" 70 PRV 25-75 PSI Dbl Union Fem x Fem NPT Lead Free, BAA Compliant	4800-OPRV	\$968.00
1-70XLDUC	Pressure Reducing Valve, Lead-Free, Double Union Female CU SWT	4800-OPRV	\$876.00
1-70XLDUC-BAA	1" 70 PRV 25-75 PSI Dbl Union Fem x Fem Coppr Sweat Lead Free, BAA Compliant	4800-OPRV	\$964.00
1-70XLDUG	Pressure Reducing Valve, Lead-Free, Double Union Female CU SWT, Gauge	4800-OPRV	\$970.00
1-70XLDUCM	1" 70 PRV 25-75 PSI Dbl Union Male x Male Coppr Sweat Lead Free	4800-OPRV	\$874.00
1-70XLDUCPC	1" 70XLDU CXK PLUGGED LEAD FREE1" 70XLDUCXKPLUGGEDLE	4800-OPRV	\$863.00
1-70XLDUCPCV	Pressure Reducing Valve, Lead-Free, Double Union CPVC	4800-OPRV	\$878.00
1-70XLDUG	1" 70XL DU PLUG W/GAUGE LEAD FREE1" 70XLDUPLUGWGAUGELE	4800-OPRV	\$978.00
1-70XLDULU	Pressure Reducing Valve, Lead-Free, FNPT x FNPT, Less Union Nut & Tailpiece	4800-OPRV	\$751.00
1-70XLDUP	Pressure Reducing Valve, Lead-Free, Double Union FNPT, Plug	4800-OPRV	\$936.00
1-70XLDUPEX	Pressure Reducing Valve, Lead-Free, Double Union PEX	4800-OPRV	\$876.00
1-70XLDUPF	1" 70 PRV 25-75 PSI Dbl Union Fem x Fem Push Fit Lead Free	4800-OPRV	\$990.00
1-70XLDUPR	Pressure Reducing Valve, Lead-Free, Z-Press (Press x Press)	4800-OPRV	\$938.00
1-70XLDUSC	1" 70XLDU SEAL CAGE LEAD FREE1" 70XLDUSEALCAGELEAD	4800-OPRV	\$818.00
1-70XLDUSCG	1" 70XLDU SEAL CAGE W/GAUGE LEAD FREE1" 70XLDUSEALCAGEWGAU	4800-OPRV	\$1,033.00
1-70XLDUSCSCP	1" 70 PRV 25-75 PSI Dbl Union Fem x Fem NPT SS trim Tap for gauge Lead Free	4800-OPRV	\$903.00
1-70XLDUSS	1" 70 PRV 25-75 PSI Dbl Union Fem x Fem NPT SS trim Lead Free	4800-OPRV	\$878.00
1-70XLDUSSCPVC	1" 70XLDU W/SS TRIM CPVC LEAD FREE	4800-OPRV	\$968.00
1-70XLDUSSG	1" 70XLDU W/SS TRIM, GAUGE1" 70XLDUWSSTRIMGAU	4800-OPRV	\$959.00
1-70XLDUSSP	1" 70XLDU W/SS TRIM & PLUG LEAD FREE	4800-OPRV	\$936.00
1-70XLG	Pressure Reducing Valve, Lead-Free, FNPT Union x FNPT, Gauge	4800-OPRV	\$895.00
1-70XLP	Pressure Reducing Valve, Lead-Free, FNPT Union x FNPT, Plug	4800-OPRV	\$857.00
1-70XLS	Pressure Reducing Valve, Lead-Free, FNPT Union x FNPT, Sealed Cage, SS Adj Screw	4800-OPRV	\$852.00
1-70XLSCCP	1" 70XL PRV CXK TAPPED W/ SEAL CAGE & PLUG LEAD FREE	4800-OPRV	\$910.00
1-70XLSPCVC	1" 70 PRV 25-75 PSI Union Inlet Fem CPVC x Fem NPT SS trim Lead Free	4800-OPRV	\$851.00
1-70XLSDCUC	1" 70 PRV 25-75 PSI Dbl Union Fem x Fem Coppr Sweat SS trim Lead Free	4800-OPRV	\$928.00
1-70XLSDCUCG	1" 70XL CXK SEAL CAGE W/GAUGE LEAD FREE1" 70XLCXKSEALCAGEWGA	4800-OPRV	\$1,027.00
1-70XLSS	Pressure Reducing Valve, Lead-Free, FNPT Union x FNPT, SS Spring, SS Adj Screw	4800-OPRV	\$877.00
1-70XLVP	1" 70 PRV 25-75 PSI Union Inlet Fem x Fem NPT 180F Tap for gauge Lead Free	4800-OPRV	\$935.00
34-70XL	Pressure Reducing Valve, Lead-Free, FNPT Union x FNPT	4800-OPRV	\$577.00

34-70XL-BAA	3/4" 70 PRV 25-75 PSI Union Inlet Fem x Fem NPT Lead Free, BAA Compliant	4800-OPRV	\$635.00
34-70XLC	Pressure Reducing Valve, Lead-Free, Female CU SWT Union x FNPT	4800-OPRV	\$577.00
34-70XLCG	Pressure Reducing Valve, Lead-Free, Female CU SWT Union x FNPT, Gauge	4800-OPRV	\$675.00
34-70XLCM	3/4" 70XL W/COPPER MALE LEAD FREE	4800-OPRV	\$576.00
34-70XLCF	3/4" 70XL CX TAPPED W/PLUG LF	4800-OPRV	\$634.00
34-70XLDM	3/4" 70XL DBL METER LEAD FREE34"70XLDBLMETERLEAD	4800-OPRV	\$650.00
34-70XLDMSC	3/4" 70XLDM SEAL CAGE LEAD FREE	4800-OPRV	\$692.00
34-70XLDMS	3/4" 70XLDM ST/STEEL LEAD FREE	4800-OPRV	\$724.00
34-70XLDU	Pressure Reducing Valve, Lead-Free, Double Union FNPT	4800-OPRV	\$671.00
34-70XLDU-BAA	3/4" 70 PRV 25-75 PSI Dbl Union Fem x Fem NPT Lead Free, BAA Compliant	4800-OPRV	\$739.00
34-70XLDUC	Pressure Reducing Valve, Lead-Free, Double Union Female CU SWT	4800-OPRV	\$671.00
34-70XLDUC-BAA	3/4" 70 PRV 25-75 PSI Dbl Union Fem x Fem Copr Sweat Lead Free, BAA Compliant	4800-OPRV	\$739.00
34-70XLDUCG	Pressure Reducing Valve, Lead-Free, Double Union Female CU SWT, Gauge	4800-OPRV	\$769.00
34-70XLDUCLP	3/4" 70XLDUC LOW PRESSURE LEAD FREE34"70XLDUCLOWPRESSUR	4800-OPRV	\$728.00
34-70XLDUCM	3/4" 70XLDU W/COPPER MALE LEAD FREE	4800-OPRV	\$671.00
34-70XLDUCP	3/4" 70XLDU CX PLUGGED LEAD FREE34"70XLDUCPLUGGEDL	4800-OPRV	\$676.00
34-70XLDUCPC	Pressure Reducing Valve, Lead-Free, Double Union CPC	4800-OPRV	\$671.00
34-70XLDUG	3/4" 70XLDU PLUGGED W/GAUGE LEAD FREE	4800-OPRV	\$776.00
34-70XLDULP	3/4" 70XLDU LOW PRESSURE LEAD FREE	4800-OPRV	\$728.00
34-70XLDULPP	3/4" 70 PRV 10-35 PSI Dbl Union Fem x Fem NPT Tap for gauge Lead Free	4800-OPRV	\$793.00
34-70XLDULU	Pressure Reducing Valve, Lead-Free, FNPT x FNPT, Less Union Nut & Tailpiece	4800-OPRV	\$552.00
34-70XLDULUG	3/4" 70 PRV 25-75 PSI Fits existing union nuts Fem x Fem NPT w/gauge LF	4800-OPRV	\$742.00
34-70XLDULUP	3/4" 70XL DULU W/PLUG LEAD FREE	4800-OPRV	\$649.00
34-70XLDUP	Pressure Reducing Valve, Lead-Free, Double Union FNPT, Plug	4800-OPRV	\$729.00
34-70XLDUPEX	Pressure Reducing Valve, Lead-Free, Double Union PEX	4800-OPRV	\$671.00
34-70XLDUPF	3/4" 70 PRV 25-75 PSI Dbl Union Fem x Fem Push Fit Lead Free	4800-OPRV	\$700.00
34-70XLDUPR	3/4" 70 PRV 25-75 PSI Dbl Union PressFit x PressFit Lead Free	4800-OPRV	\$683.00
34-70XLDUSC	3/4" 70XL PRV DOUBLE UNION SEALED CAGE LEAD FREE	4800-OPRV	\$712.00
34-70XLDUSCG	3/4" 70XLDU SEAL CAGE W/GAUGE LF34"70XLDUSEALCAGEWGA	4800-OPRV	\$812.00
34-70XLDUSCLP	3/4" 70 PRV 10-35 PSI Dbl Union Fem x Fem NPT SS trim Lead Free	4800-OPRV	\$742.00
34-70XLDUSCP	3/4" 70 PRV 25-75 PSI Dbl Union Fem x Fem NPT SS trim Tap for gauge Lead Free	4800-OPRV	\$776.00
34-70XLG	Pressure Reducing Valve, Lead-Free, FNPT Union x FNPT, Gauge	4800-OPRV	\$675.00
34-70XLLP	Pressure Reducing Valve, Lead-Free, FNPT Union x FNPT, Lo Pressure 10-35 psi	4800-OPRV	\$710.00
34-70XLLPG	3/4" 70 PRV 10-35 PSI Union Inlet Fem x Fem NPT Tap w/gauge Lead Free	4800-OPRV	\$617.00
34-70XLP	Pressure Reducing Valve, Lead-Free, FNPT Union x FNPT, Plug	4800-OPRV	\$634.00
34-70XLP-SO	3/4" 70XLP W/TEFLON DIAPHRAGM- SPECIAL ORDER	4800-OPRV	\$666.00
34-70XLSC	Pressure Reducing Valve, Lead-Free, FNPT Union x FNPT, Sealed Cage, SS Adj Screw	4800-OPRV	\$621.00
34-70XLSS	Pressure Reducing Valve, Lead-Free, FNPT Union x FNPT, SS Spring, SS Adj Screw	4800-OPRV	\$655.00
34-70XLSSDUCG	3/4" 70XLSS, DBL UNION CX, W/GAUGE	4800-OPRV	\$858.00
RK112-70XLDU	PRV Repair Kit, Lead-Free - 70XLDU	4800-PART	\$217.00
RK114-70XLDU	PRV Repair Kit, Lead-Free - 70XLDU	4800-PART	\$201.00
RK12-70XL	PRV Repair Kit, Lead-Free - 70XL	4800-PART	\$157.00
RK1-70XL	PRV Repair Kit, Lead-Free - 70XL	4800-PART	\$140.00
RK1-70XLPK	REP KIT, 1" 70XL PRO-KITREPKIT1"70XLPROKIT	4800-PART	\$229.00
RK2-70XLDU	PRV Repair Kit, Lead-Free - 70XLDU	4800-PART	\$252.00
RK34-70XL	PRV Repair Kit, Lead-Free - 70XL	4800-PART	\$116.00
RK34-70XLPK	REP KIT, 3/4" 70XL LF PRO-KITREPKIT34"70XLLFPROKI	4800-PART	\$196.00
RK34-710B	BONNET REPAIR KIT, 3/4 - 1" 710	4800-PART	\$53.00
112-720A	Pressure Vacuum Breaker, FNPT x FNPT	4800-00VB	\$2,492.00
112-720AFT	Pressure Vacuum Breaker, FNPT x FNPT, Fast Test Cocks	4800-00VB	\$2,492.00
114-720A	Pressure Vacuum Breaker, FNPT x FNPT	4800-00VB	\$2,388.00
12-720A	Pressure Vacuum Breaker, FNPT x FNPT	4800-00VB	\$847.00
1-720A	Pressure Vacuum Breaker, FNPT x FNPT	4800-00VB	\$992.00
1-720AFT	Pressure Vacuum Breaker, FNPT x FNPT, Fast Test Cocks	4800-00VB	\$992.00
1-720AU	Pressure Vacuum Breaker, FNPT x FNPT, Union Ball Valves	4800-00VB	\$1,277.00
2-720A	Pressure Vacuum Breaker, FNPT x FNPT	4800-00VB	\$2,902.00
2-720AFT	Pressure Vacuum Breaker, FNPT x FNPT, Fast Test Cocks	4800-00VB	\$2,902.00
34-720A	Pressure Vacuum Breaker, FNPT x FNPT	4800-00VB	\$864.00
34-720AFT	Pressure Vacuum Breaker, FNPT x FNPT, Fast Test Cocks	4800-00VB	\$864.00
34-720AU	Pressure Vacuum Breaker, FNPT x FNPT, Union Ball Valves	4800-00VB	\$1,100.00
RK114-720A-BONNET	REPAIR KIT, BONNET, 1-1/4"-2" 720A	4800-PART	\$393.00
RK1-720A	Repair Kit - 720A, Complete	4800-PART	\$131.00
RK1-720AB	Repair Kit - 720A, Bonnet, Canopy	4800-PART	\$65.00
RK1-720AP	REPAIR KIT, 1/2" - 1" 720A POPPET & O-RING	4800-PART	\$68.00
RK1-720APK	REP KIT, 1/2" - 1" 720A PRO-KITREPKIT12"1"720APROKI	4800-PART	\$131.00
RK2-720A	Repair Kit - 720A, Complete	4800-PART	\$246.00
BRK34-850U-GASKET	BULK REPAIR KIT (6PCS), 3/4" 850U UNION GASKET	4800-PART	\$56.00
112-850TXL	Ball Valve, Lead-Free, FNPT Union x FNPT, Tapped	4800-00GV	\$983.00
112-850TXL	Ball Valve, Lead-Free, FNPT x FNPT, Tapped	4800-00GV	\$479.00
112-850UXL	Ball Valve, Lead-Free, FNPT Union x FNPT	4800-00GV	\$961.00
112-850XL	Ball Valve, Lead-Free, FNPT x FNPT	4800-00GV	\$454.00
114-850TXL	Ball Valve, Lead-Free, FNPT Union x FNPT, Tapped	4800-00GV	\$671.00
114-850TXL	Ball Valve, Lead-Free, FNPT x FNPT, Tapped	4800-00GV	\$344.00
114-850UXL	Ball Valve, Lead-Free, FNPT Union x FNPT	4800-00GV	\$641.00

114-850XL	Ball Valve, Lead-Free, FNPT x FNPT	4800-00GV	\$330.00
12-850MXL	Ball Valve, Lead-Free, MNPT x FNPT	4800-00GV	\$126.00
12-850TXL	Ball Valve, Lead-Free, FNPT x FNPT, Tapped	4800-00GV	\$158.00
12-850TXL	Ball Valve, Lead-Free, FNPT x FNPT, Tapped	4800-00GV	\$145.00
12-850XL	Ball Valve, Lead-Free, FNPT x FNPT	4800-00GV	\$115.00
1-850TXL	Ball Valve, Lead-Free, FNPT Union x FNPT, Tapped	4800-00GV	\$428.00
1-850TXL	Ball Valve, Lead-Free, FNPT x FNPT, Tapped	4800-00GV	\$242.00
1-850UXL	Ball Valve, Lead-Free, FNPT Union x FNPT	4800-00GV	\$412.00
1-850XL	Ball Valve, Lead-Free, FNPT x FNPT	4800-00GV	\$225.00
2-850TXL	Ball Valve, Lead-Free, FNPT Union x FNPT, Tapped	4800-00GV	\$1,364.00
2-850TXL	Ball Valve, Lead-Free, FNPT x FNPT, Tapped	4800-00GV	\$788.00
2-850UXL	Ball Valve, Lead-Free, FNPT Union x FNPT	4800-00GV	\$1,333.00
2-850XL	Ball Valve, Lead-Free, FNPT x FNPT	4800-00GV	\$683.00
34-850CX	BALL VALVE, 3/4" CX TAPED LFBALLVALVE34"CX TAPED	4800-00GV	\$199.00
34-850PEX	BALL VALVE, 3/4" PEX TAPPED LF	4800-00GV	\$225.00
34-850TXL	Ball Valve, Lead-Free, FNPT Union x FNPT, Tapped	4800-00GV	\$309.00
34-850TXL	Ball Valve, Lead-Free, FNPT x FNPT, Tapped	4800-00GV	\$155.00
34-850UXL	Ball Valve, Lead-Free, FNPT Union x FNPT	4800-00GV	\$282.00
34-850XL	Ball Valve, Lead-Free, FNPT x FNPT	4800-00GV	\$146.00
38-850MXL	Ball Valve, Lead-Free, MNPT x FNPT	4800-00GV	\$134.00
38-850TXL	Ball Valve, Lead-Free, MNPT x FNPT, Tapped	4800-00GV	\$144.00
38-850TXL	Ball Valve, Lead-Free, FNPT x FNPT, Tapped	4800-00GV	\$133.00
38-850XL	Ball Valve, Lead-Free, FNPT x FNPT	4800-00GV	\$102.00
18-860SS	Ball Type Test Cocks, 1/8" MNPT x 1/4" FNPT, Stainless Steel	4800-0MWS	\$219.00
14-860XL	Ball Type Test Cock, Lead-Free, 1/4" MNPT x 1/4" FNPT	4800-0MWS	\$72.00
14-860XLB	TEST COCK, 1/4" FAST TEST LEAD FREESTESTCOCK14"FASTTESTN	4800-0MWS	\$91.00
14-860XLFT	Ball Type Fast-Test Test Cock, Lead-Free, 1/4" MNPT x 45° SAE	4800-0MWS	\$84.00
18-860XL	Ball Type Test Cock, Lead-Free, 1/8" MNPT x 1/4" FNPT	4800-0MWS	\$76.00
18-860XLB	TEST COCK, 1/8" FAST TEST LEAD FREESTESTCOCK18"FASTTESTN	4800-0MWS	\$91.00
18-860XLFT	Ball Type Fast-Test Test Cock, Lead-Free, 1/8" MNPT x 45° SAE	4800-0MWS	\$84.00
RK14-860XL	Ball Type Test Cocks, Lead-Free, 1/4" MNPT x 1/4" FNPT, Pack of 4	4800-PART	\$91.00
RK14-860XLFT	Ball Type Fast-Test Test Cocks, Lead-Free, 1/4" MNPT x 45° SAE, Pack of 4	4800-PART	\$91.00
RK14-860XLFTPK	REP KIT, 1/4" TEST COCKS 4PER LF PRO-KITREPKIT14"TESTCOCKS4P	4800-PART	\$91.00
RK14-860XLPK	REP KIT, 1/4" TEST COCKS 4PER LF PRO-KIT	4800-PART	\$91.00
RK18-860XL	Ball Type Test Cocks, Lead-Free, 1/8" MNPT x 1/4" FNPT, Pack of 4	4800-PART	\$91.00
RK18-860XLFT	Ball Type Fast-Test Test Cocks, Lead-Free, 1/8" MNPT x 45° SAE, Pack of 4	4800-PART	\$91.00
RK18-860XLFTPK	REP KIT, 1/8" FT TEST COCK 4PER LF PRO-KITREPKIT18"FTTESTCOCK4	4800-PART	\$91.00
RK18-860XLPK	REP KIT, 1/8" TEST COCKS 4PER LF PRO-KIT	4800-PART	\$91.00
RK114-112-900XL3WF	1 1/4 - 1 1/2" 950XL3 & 975XL3 Winterizing Fitting	4800-PART	\$86.00
RK114-900XL3CHCV	Repair Kit, 1-1/4" - 1-1/2" 950XL3 and 975XL3, Check Cover	4800-PART	\$108.00
RK1-900XL3CHCV	Repair Kit, 1" 950XL3 and 975XL3, Check Cover	4800-PART	\$55.00
RK1-900XL3WF	1" 950XL3 & 975XL3 Winterizing Fitting	4800-PART	\$74.00
RK2-900XL3WF	2" 950XL3 & 975XL3 Winterizing Fitting	4800-PART	\$92.00
RK34-900XL3CHCV	Repair Kit, 1/2" - 3/4" 950XL3 and 975XL3, Check Cover	4800-PART	\$45.00
RK34-900XL3WF	3/4" 950XL3 & 975XL3 Winterizing Fitting	4800-PART	\$74.00
RK114-950	Repair Kit - 950 Complete	4800-PART	\$108.00
RK114-950R	Repair Kit - 950 Rubber only	4800-PART	\$54.00
RK34-950	Repair Kit - 950 Complete	4800-PART	\$72.00
RK34-950R	Repair Kit - 950 Rubber only	4800-PART	\$48.00
RK10-950	Repair Kit - 950/975 Rubber Only (checks)	4800-PART	\$1,405.00
RK212-950	Repair Kit - 950/975 Rubber Only (checks)	4800-PART	\$174.00
RK4-950	Repair Kit - 950/975 Rubber Only (checks)	4800-PART	\$273.00
RK6-950	Repair Kit - 950/975 Rubber Only (checks)	4800-PART	\$489.00
RK8-950	Repair Kit - 950/975 Rubber Only (checks)	4800-PART	\$872.00
RK10-950DA	Repair Kit - 950DA Rubber, includes by-pass parts	4800-PART	\$1,526.00
RK212-950DA	Repair Kit - 950DA Rubber, includes by-pass parts	4800-PART	\$304.00
RK4-950DA	Repair Kit - 950DA Rubber, includes by-pass parts	4800-PART	\$393.00
RK6-950DA	Repair Kit - 950DA Rubber, includes by-pass parts	4800-PART	\$609.00
RK8-950DA	Repair Kit - 950DA Rubber, includes by-pass parts	4800-PART	\$993.00
1-950XL	1" 950XL W/BV NON-POTABLE	4800-00SBF	\$782.00
2-950XL	2" 950XL	4800-00SBF	\$2,382.00
34-950XL	3/4" 950XL W/BV	4800-00SBF	\$713.00
34-950XLD	Double Check Valve By-Pass Assembly	4800-00SBF	\$657.00
RK114-950XL	Repair Kit - 950XL Complete	4800-PART	\$135.00
RK114-950XLA	REPAIR KIT, 950XLREPAIRKIT,950XL	4800-PART	\$272.00
RK114-950XLC	Repair Kit - 950XLC Complete	4800-PART	\$186.00
RK114-950XLR	Repair Kit - 950XLR Rubber only	4800-PART	\$78.00
RK114-950XLRPK	REP KIT, 1-1/4" - 2" 950XL RUBBER PRO-KITREPKIT114"2"950XLRUB	4800-PART	\$78.00
RK114-950XLSK	Repair Kit - 950XL Seat Kits	4800-PART	\$70.00
RK34-950XL	Repair Kit - 950XL Complete	4800-PART	\$83.00
RK34-950XLC	Repair Kit - 950XLC Complete	4800-PART	\$108.00
RK34-950XLR	Repair Kit - 950XLR Rubber only	4800-PART	\$56.00
RK34-950XLSK	Repair Kit - 950XL Seat Kits	4800-PART	\$57.00
RK34-950XLPK	Rep Kit, 3/4" 950XL Pro-Kit	4800-PART	\$97.00
1-1-2" 950XL3	1-1/2" 950XL3 DC Ball Vlv NPT Top Access Lead Free	4800-00SBF	\$2,387.00
112-950XL3FT	1-1/2" 950XL3 DC Ball Vlv Fastest TC NPT Top Access Lead Free	4800-00SBF	\$2,387.00
114-950XL3	1-1/4" 950XL3 DC Ball Vlv NPT Top Access Lead Free	4800-00SBF	\$2,225.00
1-950XL3	1" 950XL3 DC Ball Vlv NPT Top Access Lead Free	4800-00SBF	\$918.00
1-950XL3LFT1	1" 950XL3 DC Ball Vlv NPT Top Access LF less fast-test, less #1 shutoff valve	4800-00SBF	\$918.00
1-950XLSU	1" 950XL3 DC Union Ball Vlv NPT Top Access Lead Free	4800-00SBF	\$1,166.00
2-950XL3	2" 950XL3 DC Ball Vlv NPT Top Access Lead Free	4800-00SBF	\$2,692.00
2-950XL3FT	2" 950XL3 DC Ball Vlv Fastest TC NPT Top Access Lead Free	4800-00SBF	\$2,692.00

2-950XL3L	2" 950XL3 DC Ball Vlv NPT Top Access Lead Free Less Ball Valve	4800-OSBF	\$1,322.00
2-950XL3U	2" 950XL3 DC Union Ball Vlv NPT Top Access Lead Free	4800-OSBF	\$3,419.00
34-950XL3	3/4" 950XL3 DC Ball Vlv NPT Top Access Lead Free	4800-OSBF	\$837.00
34-950XL3U	3/4" 950XL3 DC Union Ball Vlv NPT Top Access Lead Free	4800-OSBF	\$1,074.00
RK114-950XL3	Repair Kit, 1-1/4" - 1-1/2" 950XL3, Complete	4800-PART	\$83.00
RK114-950XL3R	Repair Kit, 1-1/4" - 1-1/2" 950XL3, Seal Rings and O-rings	4800-PART	\$28.00
RK1-950XL3	Repair Kit, 1" 950XL3, Complete	4800-PART	\$70.00
RK1-950XL3R	Repair Kit, 1" 950XL3, Seal Rings and O-rings	4800-PART	\$28.00
RK2-950XL3	Repair Kit, 2" 950XL3, Complete	4800-PART	\$113.00
RK2-950XL3R	Repair Kit, 2" 950XL3, Seal Rings and O-rings	4800-PART	\$28.00
RK34-950XL3	Repair Kit, 3/4" 950XL3, Complete	4800-PART	\$61.00
RK34-950XL3R	Repair Kit, 3/4" 950XL3, Seal Rings and O-rings	4800-PART	\$28.00
112-950XLTL	Double Check Valve Assy, FNPT x FNPT, Less Ball Valves	4800-OSBF	\$1,721.00
112-950XLTLTBT	Double Check Valve Assy, MBT THD x MBT THD, Less Ball Valves	4800-OSBF	\$2,255.00
112-950XLTLTFTBT	Double Check Valve Assy, MBT THD, Fast Test Cocks, Less Ball Valves	4800-OSBF	\$2,261.00
112-950XLTL	Double Check Valve Assy, FNPT x FNPT	4800-OSBF	\$2,109.00
112-950XLTLBFSS	Double Check Valve Assy, FNPT BF x FNPT BF, Supervisory Switch	4800-OSBF	\$5,912.00
112-950XLTLFT	Double Check Valve Assy, FNPT x FNPT, Fast Test Cocks	4800-OSBF	\$2,109.00
112-950XLTLFT	Double Check Valve Assy, FNPT x FNPT, Strainer	4800-OSBF	\$2,593.00
112-950XLTLFTU	Double Check Valve Assy, FNPT x FNPT, Union, Fast Test Cocks	4800-OSBF	\$3,364.00
114-950XLTL	Double Check Valve Assy, FNPT x FNPT, Less Ball Valves	4800-OSBF	\$1,604.00
114-950XLTLTBT	Double Check Valve Assy, MBT THD x MBT THD, Less Ball Valves	4800-OSBF	\$2,171.00
114-950XLTLTFTBT	Double Check Valve Assy, MBT THD, Fast Test Cocks, Less Ball Valves	4800-OSBF	\$2,146.00
114-950XLTL	Double Check Valve Assy, FNPT x FNPT	4800-OSBF	\$1,972.00
114-950XLTLBFSS	Double Check Valve Assy, FNPT BF x FNPT BF, Supervisory Switch	4800-OSBF	\$5,517.00
114-950XLTLFT	Double Check Valve Assy, FNPT x FNPT, Fast Test Cocks	4800-OSBF	\$1,972.00
114-950XLTL	Double Check Valve Assy, FNPT x FNPT, Strainer	4800-OSBF	\$2,325.00
114-950XLTLFTU	Double Check Valve Assy, FNPT x FNPT, Union, Fast Test Cocks	4800-OSBF	\$3,082.00
1-950XLTL	Double Check Valve Assy, FNPT x FNPT, Less Ball Valves	4800-OSBF	\$638.00
1-950XLTLTBT	Double Check Valve Assy, MBT THD x MBT THD, Less Ball Valves	4800-OSBF	\$1,045.00
1-950XLTLTFTBT	Double Check Valve Assy, MBT THD, Fast Test Cocks, Less Ball Valves	4800-OSBF	\$1,041.00
1-950XLTL	Double Check Valve Assy, FNPT x FNPT	4800-OSBF	\$782.00
1-950XLTLFT	Double Check Valve Assy, FNPT x FNPT, Fast Test Cocks	4800-OSBF	\$782.00
1-950XLTL	Double Check Valve Assy, FNPT x FNPT, Strainer	4800-OSBF	\$1,025.00
1-950XLTL-ASSY	1" 950XLTL W/STR ASSEMBLED	4800-OSBF	\$1,643.00
1-950XLTLU	Double Check Valve Assy, FNPT x FNPT, Union	4800-OSBF	\$980.00
1-950XLTLFTU	Double Check Valve Assy, FNPT x FNPT, Union, Fast Test Cocks	4800-OSBF	\$980.00
1-950XLTLUS	Double Check Valve Assy, FNPT x FNPT, Union, Strainer	4800-OSBF	\$1,225.00
2-950XLTL	Double Check Valve Assy, FNPT x FNPT, Less Ball Valves	4800-OSBF	\$1,939.00
2-950XLTLTBT	Double Check Valve Assy, MBT THD x MBT THD, Less Ball Valves	4800-OSBF	\$2,305.00
2-950XLTLTFTBT	Double Check Valve Assy, MBT THD, Fast Test Cocks, Less Ball Valves	4800-OSBF	\$2,324.00
2-950XLTL	Double Check Valve Assy, FNPT x FNPT	4800-OSBF	\$2,382.00
2-950XLTLBFSS	Double Check Valve Assy, FNPT BF x FNPT BF, Supervisory Switch	4800-OSBF	\$6,674.00
2-950XLTLDALMNYC	2" 950XLTLDA L/MTR NYC2"950XLTLDALMTRNYC	4800-OSBF	\$15,085.00
2-950XLTLF	2" 950XLTLDAF LESS BY-PASS2"950XLTLDAFLESSBYPAS	4800-OSBF	\$2,861.00
2-950XLTLFT	Double Check Valve Assy, FNPT x FNPT, Fast Test Cocks	4800-OSBF	\$2,382.00
2-950XLTL	Double Check Valve Assy, FNPT x FNPT, Strainer	4800-OSBF	\$3,082.00
2-950XLTLU	Double Check Valve Assy, FNPT x FNPT, Union	4800-OSBF	\$3,901.00
34-950XLTL	Double Check Valve Assy, FNPT x FNPT, Less Ball Valves	4800-OSBF	\$582.00
34-950XLTLTBT	Double Check Valve Assy, MBT THD x MBT THD, Less Ball Valves	4800-OSBF	\$985.00
34-950XLTLFT	Double Check Valve Assy, FNPT x FNPT, Fast Test Cocks, Less Ball Valves	4800-OSBF	\$582.00
34-950XLTLTFTBT	Double Check Valve Assy, MBT THD, Fast Test Cocks, Less Ball Valves	4800-OSBF	\$995.00
34-950XLTL	Double Check Valve Assy, FNPT x FNPT	4800-OSBF	\$713.00
34-950XLTLFT	Double Check Valve Assy, FNPT x FNPT, Fast Test Cocks	4800-OSBF	\$713.00
34-950XLTL	Double Check Valve Assy, FNPT x FNPT, Strainer	4800-OSBF	\$921.00
34-950XLTLU	Double Check Valve Assy, FNPT x FNPT, Union	4800-OSBF	\$887.00
34-950XLTLFTU	Double Check Valve Assy, FNPT x FNPT, Union, Fast Test Cocks	4800-OSBF	\$887.00
34-950XLTLUS	Double Check Valve Assy, FNPT x FNPT, Union, Strainer	4800-OSBF	\$1,094.00
RK114-950XLTL	Repair Kit - 950XLTL Complete	4800-PART	\$186.00
RK114-950XLTL	Repair Kit - 950XLTL Seat Kits	4800-PART	\$70.00
RK34-950XLTL	Repair Kit - 950XLTL Complete	4800-PART	\$108.00
RK34-950XLTL	Repair Kit - 950XLTL Seat Kits	4800-PART	\$57.00
112-950XLTL2	Double Check Valve Assy, Lead-Free, MNPT x MNPT, Less Ball Valves	4800-OSBF	\$2,109.00
112-950XLTL2	Double Check Valve Assy, Lead-Free, FNPT x FNPT	4800-OSBF	\$2,588.00
112-950XLTL2BFSS	Double Check Valve Assy, FNPT BF x FNPT BF, Supervisory Switch	4800-OSBF	\$7,580.00
112-950XLTL2FT	Double Check Valve Assy, Lead-Free, FNPT x FNPT, Fast Test Cocks	4800-OSBF	\$2,588.00
112-950XLTL2S	Double Check Valve Assy, Lead-Free, FNPT x FNPT, Strainer	4800-OSBF	\$3,072.00
112-950XLTL2U	Double Check Valve Assy, Lead-Free, FNPT x FNPT, Union	4800-OSBF	\$3,231.00
112-950XLTL2UFT	1-1/2" 950XLTL2FT W/UBV LEAD FREE	4800-OSBF	\$3,231.00
114-950XLTL2	Double Check Valve Assy, Lead-Free, MNPT x MNPT, Less Ball Valves	4800-OSBF	\$1,973.00
114-950XLTL2	Double Check Valve Assy, Lead-Free, FNPT x FNPT	4800-OSBF	\$2,415.00
114-950XLTL2BFSS	Double Check Valve Assy, FNPT BF x FNPT BF, Supervisory Switch	4800-OSBF	\$7,080.00
114-950XLTL2FT	Double Check Valve Assy, Lead-Free, FNPT x FNPT, Fast Test Cocks	4800-OSBF	\$2,415.00
114-950XLTL2FTS	1-1/4" 950XLTL2 W/STRAINER FAST TEST LEAD FREE	4800-OSBF	\$2,774.00

114-950XLTL2S	Double Check Valve Assy, Lead-Free, FNPT x FNPT, Strainer	4800-OSBF	\$2,774.00
114-950XLTL2U	Double Check Valve Assy, Lead-Free, FNPT x FNPT, Union	4800-OSBF	\$3,019.00
12-950XLTL2	3/4" 950XLTL2 W/ 1/2" PIPE BUSHINGS, LEAD FREE	4800-OSBF	\$1,274.00
1-950XLTL2	Double Check Valve Assy, Lead-Free, MNPT x MNPT, Less Ball Valves	4800-OSBF	\$816.00
1-950XLTL2	Double Check Valve Assy, Lead-Free, FNPT x FNPT	4800-OSBF	\$998.00
1-950XLTL2FT	Double Check Valve Assy, Lead-Free, FNPT x FNPT, Fast Test Cocks	4800-OSBF	\$998.00
1-950XLTL2S	Double Check Valve Assy, Lead-Free, FNPT x FNPT, Strainer	4800-OSBF	\$1,244.00
1-950XLTL2S-BAA	1" 950 DC Ball Vlv NPT SXL Strainer Top Access Lead Free, BAA Compliant	4800-OSBF	\$1,369.00
1-950XLTL2U	Double Check Valve Assy, Lead-Free, FNPT x FNPT, Union	4800-OSBF	\$1,246.00
1-950XLTL2UFT	Double Check Valve Assy, Lead-Free, FNPT x FNPT, Union, Fast Test Cocks	4800-OSBF	\$1,246.00
2-950XLTL2	Double Check Valve Assy, Lead-Free, MNPT x MNPT, Less Ball Valves	4800-OSBF	\$2,382.00
2-950XLTL2	Double Check Valve Assy, Lead-Free, FNPT x FNPT	4800-OSBF	\$2,922.00
2-950XLTL2BFSS	Double Check Valve Assy, FNPT BF x FNPT BF, Supervisory Switch	4800-OSBF	\$8,561.00
2-950XLTL2FT	Double Check Valve Assy, Lead-Free, FNPT x FNPT, Fast Test Cocks	4800-OSBF	\$2,922.00
2-950XLTL2S	Double Check Valve Assy, Lead-Free, FNPT x FNPT, Strainer	4800-OSBF	\$3,628.00
2-950XLTL2U	Double Check Valve Assy, Lead-Free, FNPT x FNPT, Union	4800-OSBF	\$3,648.00
2-950XLTL2UFT	2" 950XLTL2FT W/UBV LEAD FREE	4800-OSBF	\$3,648.00
34-950XLTL2	Double Check Valve Assy, Lead-Free, MNPT x MNPT, Less Ball Valves	4800-OSBF	\$741.00
34-950XLTL2FT	3/4" 950XLTL2 L/BV W/ FAST TC LEAD FREE	4800-OSBF	\$741.00
34-950XLTL2	Double Check Valve Assy, Lead-Free, FNPT x FNPT	4800-OSBF	\$907.00
34-950XLTL2FT	Double Check Valve Assy, Lead-Free, FNPT x FNPT, Fast Test Cocks	4800-OSBF	\$907.00
34-950XLTL2L1	3/4" 950 DC Outlet Ball Vlv Less Inlet Ball Vlv, NPT Top Access Lead Free	4800-OSBF	\$765.00
34-950XLTL2S	Double Check Valve Assy, Lead-Free, FNPT x FNPT, Strainer	4800-OSBF	\$1,111.00
34-950XLTL2U	Double Check Valve Assy, Lead-Free, FNPT x FNPT, Union	4800-OSBF	\$1,131.00
34-950XLTL2UFT	3/4" 950XLTL2FT W/UBV LEAD FREE	4800-OSBF	\$1,131.00
1-950XLTL2L1	1" MODEL950XLTL2 LESS INLET BV, PALM COAST	4800-OSBF	\$933.00
2-950XLTL2DA	Double Check Detector Assy, MNPT x MNPT, Less Gate Valves	4800-OSBF	\$4,476.00
2-950XLTL2DA	Double Check Detector Assy, FNPT OSY x FNPT OSY	4800-OSBF	\$12,320.00
2-950XLTL2DABFSS	Double Check Detector Assy, FNPT BF x FNPT BF, Supervisory Switches	4800-OSBF	\$7,829.00
2-950XLTL2DABFSSCFM	2" 950 DCDA BFLY w/Switch CU FT Mtr NPT Top Access Non Potable	4800-OSBF	\$7,829.00
2-950XLTL2DABFSSMLM	Double Check Detector Assy, FNPT BF x FNPT BF, Supervisory Switches, Less Meter	4800-OSBF	\$6,989.00
2-950XLTL2DABFSSMLMNYC	Double Check Detector Assy, FNPT BF x FNPT BF, Supervisory Switches, Less Meter, NYC Configuration	4800-OSBF	\$6,989.00
2-950XLTL2DACFM	Double Check Detector Assy, FNPT OSY x FNPT OSY, CFM Meter	4800-OSBF	\$12,320.00
2-950XLTL2DAF	Double Check Detector Assy, Oval Meter Flange x Oval Meter Flange	4800-OSBF	\$5,614.00
2-950XLTL2DALM	Double Check Detector Assy, FNPT OSY x FNPT OSY, Less Meter	4800-OSBF	\$11,479.00
RK2-950XLTL2DA	REP. KIT, 2" 950XLTL2 (BF)REPKIT2"950XLTL2(BF)	4800-PART	\$100.00
RK34-950XLTL2	REPAIR KIT, 950XL W/SEAT/REPAIRKIT,950XLW/SEA	4800-PART	\$178.00
RK34-950XLTL2RPK	REP KIT, 3/4" 950XL RUBBER PRO-KITREPKIT34"950XL RUBBER	4800-PART	\$56.00
RK114-975	Repair Kit - 975 Complete	4800-PART	\$184.00
RK114-975R	Repair Kit - 975 Rubber & Springs (checks & relief)	4800-PART	\$130.00
RK34-975	Repair Kit - 975 Complete	4800-PART	\$100.00
RK34-975R	Repair Kit - 975 Rubber & Springs (checks & relief)	4800-PART	\$81.00
RK10-975DA	RK, 10" CHECKS ONLYRK,10"CHECKSONLY	4800-PART	\$1,099.00
RK10-975DAC	Repair Kit - 975DA Rubber (checks & relief), includes by-pass parts	4800-PART	\$1,677.00
RK212-975DA	RK,2-1/283" CHECKS ONLYRK,2-1/283"CHECKSONL	4800-PART	\$380.00
RK212-975DAC	Repair Kit - 975DA Rubber (checks & relief), includes by-pass parts	4800-PART	\$388.00
RK4-975DA	RK, 4" CHECKS ONLYRK,4"CHECKSONLY	4800-PART	\$473.00
RK4-975DAC	Repair Kit - 975DA Rubber (checks & relief), includes by-pass parts	4800-PART	\$767.00
RK6-975DA	RK, 6" CHECKS ONLYRK,6"CHECKSONLY	4800-PART	\$512.00
RK6-975DAC	Repair Kit - 975DA Rubber (checks & relief), includes by-pass parts	4800-PART	\$774.00
RK8-975DA	RK, 8" CHECKS ONLYRK,8"CHECKSONLY	4800-PART	\$750.00
RK8-975DAC	Repair Kit - 975DA Rubber (checks & relief), includes by-pass parts	4800-PART	\$1,715.00
RK-975TOOL	Seat Removal Tools, Complete Set for 950XL, 950XLT and 975XL, Qty 3/pak.	4800-PART	\$117.00
112-975LXL	Reduced Pressure Principle Assy, MNPT x MNPT, Less Ball Valves	4800-OSBF	\$2,292.00
112-975LXLBT	Reduced Pressure Principle Assy, MBT THD x MBT THD, Less Ball Valves	4800-OSBF	\$4,187.00
112-975LXLFTBT	Reduced Pressure Principle Assy, MBT THD x MBT THD, Less Ball Valves, FT Test Cocks	4800-OSBF	\$4,004.00
112-975LXL	Reduced Pressure Principle Assy, MNPT x MNPT, Less Ball Valves, Strainer	4800-OSBF	\$2,786.00
112-975LXLTCU	1-1/2"975XL L/BV W/TCU	4800-OSBF	\$2,487.00
112-975XL	Reduced Pressure Principle Assy, FNPT x FNPT	4800-OSBF	\$2,913.00
112-975XL	Reduced Pressure Principle Assy, FNPT x FNPT, Air Gap	4800-OSBF	\$3,293.00
112-975LXLBFSS	Reduced Pressure Principle Assy, FNPT x FNPT, Butterfly Shutoff, Supervisory Switch	4800-OSBF	\$5,696.00
112-975XLFT	Reduced Pressure Principle Assy, FNPT x FNPT, Fast Test Cocks	4800-OSBF	\$2,913.00
112-975XLFTS	Reduced Pressure Principle Assy, FNPT x FNPT, Fast Test Cocks, Strainer	4800-OSBF	\$3,411.00
112-975XL	Reduced Pressure Principle Assy, FNPT OSY x FNPT OSY	4800-OSBF	\$4,546.00
112-975XL	Reduced Pressure Principle Assy, FNPT x FNPT, Strainer	4800-OSBF	\$3,411.00
112-975XL	Reduced Pressure Principle Assy, FNPT x FNPT, Strainer, Air Gap	4800-OSBF	\$3,788.00
112-975XLTCU	Reduced Pressure Principle Assy, FNPT x FNPT, Test Cocks Up	4800-OSBF	\$3,110.00

112-975XLCUAG	1-1/2" 975XL W/TCU W/AG-4112"975XLWTCUWAG4	4800-OSBF	\$3,488.00
112-975XLCUFT	Reduced Pressure Principle Assy, FNPT x FNPT, Testcocks Up, Fast Test Cocks	4800-OSBF	\$3,110.00
112-975XLCUCS	Reduced Pressure Principle Assy, FNPT x FNPT, Test Cocks Up, Strainer	4800-OSBF	\$3,607.00
114-975LXL	Reduced Pressure Principle Assy, MNPT X MNPT, Less Ball Valves	4800-OSBF	\$2,218.00
114-975XLBT	Reduced Pressure Principle Assy, MBT THD x MBT THD, Less Ball Valves	4800-OSBF	\$4,134.00
114-975XLFTBT	Reduced Pressure Principle Assy, MBT THD x MBT THD, Less Ball Valves, FT Test Cocks	4800-OSBF	\$3,956.00
114-975XLXS	Reduced Pressure Principle Assy, MNPT X MNPT, Less Ball Valves, Strainer	4800-OSBF	\$2,583.00
114-975XL	Reduced Pressure Principle Assy, FNPT x FNPT	4800-OSBF	\$2,824.00
114-975XLAG	Reduced Pressure Principle Assy, FNPT x FNPT, Air Gap	4800-OSBF	\$3,203.00
114-975XLBSS	Reduced Pressure Principle Assy, FNPT x FNPT, Butterfly Shutoff, Supervisory Switch	4800-OSBF	\$5,416.00
114-975XLBT	1 1/4" 975XL W/BSPT	4800-OSBF	\$3,961.00
114-975XLFT	Reduced Pressure Principle Assy, FNPT x FNPT, Fast Test Cocks	4800-OSBF	\$2,824.00
114-975XLFTS	Reduced Pressure Principle Assy, FNPT x FNPT, Fast Test Cocks, Strainer	4800-OSBF	\$3,188.00
114-975XLOS	Reduced Pressure Principle Assy, FNPT OSY x FNPT OSY	4800-OSBF	\$4,650.00
114-975XLS	Reduced Pressure Principle Assy, FNPT x FNPT, Strainer	4800-OSBF	\$3,188.00
114-975XLSAG	Reduced Pressure Principle Assy, FNPT x FNPT, Strainer, Air Gap	4800-OSBF	\$3,566.00
114-975XLTCU	Reduced Pressure Principle Assy, FNPT x FNPT, Test Cocks Up	4800-OSBF	\$3,021.00
114-975XLCUFT	Reduced Pressure Principle Assy, FNPT x FNPT, Testcocks Up, Fast Test Cocks	4800-OSBF	\$3,021.00
114-975XLTCUS	Reduced Pressure Principle Assy, FNPT x FNPT, Test Cocks Up, Strainer	4800-OSBF	\$3,387.00
114-975XLTCUS	1-1/4" 975XLTCU W/STRAINER	4800-OSBF	\$5,700.00
114-ACVFCISTH24NCP	FCIS subassembly, 1-1/4" Solenoid Valve, Endpoint, Connector kits	4800-OSBF	\$22,341.00
114-ACVFCISTH24NCP	FCIS subassembly, 1-1/4" Solenoid Valve, Endpoint, Connector kits	4800-OSBF	\$15,829.00
114-ACVFCISTH24NCPRV	FCIS subassembly, 1-1/4" Solenoid Valve, Endpoint, Connector kits, Rev Pilot	4800-OSBF	\$15,829.00
114-ACVFCISTH24NCP	FCIS subassembly, 1-1/4" Solenoid Valve, Endpoint, Connector kits	4800-OSBF	\$16,736.00
114-ACVFCISTH24NCP	FCIS subassembly, 1-1/4" Solenoid Valve, Endpoint, Connector kits	4800-OSBF	\$21,237.00
12-975LXL	Reduced Pressure Principle Assy, MNPT X MNPT, Less Ball Valves	4800-OSBF	\$1,514.00
12-975XLFTBS	Reduced Pressure Principle Assy, MBS THD x MBS THD, Less Ball Valves, FT Test Cocks	4800-OSBF	\$1,365.00
12-975XLFTBT	Reduced Pressure Principle Assy, MBT THD x MBT THD, Less Ball Valves, FT Test Cocks	4800-OSBF	\$1,365.00
12-975XLS	Reduced Pressure Principle Assy, FNPT x FNPT, Strainer	4800-OSBF	\$2,195.00
12-975XLTCU	Reduced Pressure Principle Assy, FNPT x FNPT, Test Cocks Up	4800-OSBF	\$2,193.00
12-975XLCUFT	Reduced Pressure Principle Assy, FNPT x FNPT, Test Cocks Up, Fast Test Cocks	4800-OSBF	\$2,193.00
1-975LXL	Reduced Pressure Principle Assy, MNPT X MNPT, Less Ball Valves	4800-OSBF	\$1,195.00
1-975XLBT	Reduced Pressure Principle Assy, MBT THD x MBT THD, Less Ball Valves	4800-OSBF	\$1,885.00
1-975XLFT	Reduced Pressure Principle Assy, MNPT x MNPT, Less Ball Valves, FT Test Cocks	4800-OSBF	\$1,195.00
1-975XLFTBT	Reduced Pressure Principle Assy, MBT THD x MBT THD, Less Ball Valves, FT Test Cocks	4800-OSBF	\$1,805.00
1-975XLXS	Reduced Pressure Principle Assy, MNPT X MNPT, Less Ball Valves, Strainer	4800-OSBF	\$1,447.00
1-975XLTCU	Reduced Pressure Principle Assy, MNPT x MNPT, Less Ball Valves Test Cocks Up	4800-OSBF	\$1,390.00
1-975XL	Reduced Pressure Principle Assy, FNPT x FNPT	4800-OSBF	\$1,523.00
1-975XLAG	Reduced Pressure Principle Assy, FNPT x FNPT, Air Gap	4800-OSBF	\$1,799.00
1-975XLBSS	1" 975XL W/BFLY & SWITCH/1"975XLWFLY&SWITCH	4800-OSBF	\$9,828.00
1-975XLFT	Reduced Pressure Principle Assy, FNPT x FNPT, Fast Test Cocks	4800-OSBF	\$1,523.00
1-975XLFTS	Reduced Pressure Principle Assy, FNPT x FNPT, Fast Test Cocks, Strainer	4800-OSBF	\$1,769.00
1-975XLOS	Reduced Pressure Principle Assy, FNPT OSY x FNPT OSY	4800-OSBF	\$3,913.00
1-975XLS	Reduced Pressure Principle Assy, FNPT x FNPT, Strainer	4800-OSBF	\$1,769.00
1-975XLSAG	Reduced Pressure Principle Assy, FNPT x FNPT, Strainer, Air Gap	4800-OSBF	\$2,050.00
1-975XLTCU	Reduced Pressure Principle Assy, FNPT x FNPT, Test Cocks Up	4800-OSBF	\$1,714.00
1-975XLCUAG	1" 975XL W/TCU W/AG-41"975XLWTCUWAG4	4800-OSBF	\$2,000.00
1-975XLCUFT	Reduced Pressure Principle Assy, FNPT x FNPT, Testcocks Up, Fast Test Cocks	4800-OSBF	\$1,714.00
1-975XLTCUS	Reduced Pressure Principle Assy, FNPT x FNPT, Test Cocks Up, Strainer	4800-OSBF	\$1,967.00
1-975XLU	Reduced Pressure Principle Assy, FNPT x FNPT, Union	4800-OSBF	\$1,735.00
1-975XLUFT	Reduced Pressure Principle Assy, FNPT x FNPT, Union, Fast Test Cocks	4800-OSBF	\$1,735.00
1-975XLUS	Reduced Pressure Principle Assy, FNPT x FNPT, Union, Strainer	4800-OSBF	\$1,987.00
1-975XLTCUS	Reduced Pressure Principle Assy, FNPT x FNPT, Union, Test Cocks Up, Strainer	4800-OSBF	\$2,184.00
2-975LXL	Reduced Pressure Principle Assy, MNPT X MNPT, Less Ball Valves	4800-OSBF	\$2,456.00
2-975XLBT	Reduced Pressure Principle Assy, MBT THD x MBT THD, Less Ball Valves	4800-OSBF	\$4,086.00
2-975XLFT	Reduced Pressure Principle Assy, MNPT x MNPT, Less Ball Valves, FT Test Cocks	4800-OSBF	\$2,456.00
2-975XLFTBT	Reduced Pressure Principle Assy, MBT THD x MBT THD, Less Ball Valves, FT Test Cocks	4800-OSBF	\$3,912.00
2-975XLXS	Reduced Pressure Principle Assy, MNPT X MNPT, Less Ball Valves, Strainer	4800-OSBF	\$3,182.00
2-975XL	Reduced Pressure Principle Assy, FNPT x FNPT	4800-OSBF	\$3,125.00
2-975XLAG	Reduced Pressure Principle Assy, FNPT x FNPT, Air Gap	4800-OSBF	\$3,850.00

2-975XLBSS	Reduced Pressure Principle Assy, FNPT x FNPT, Butterfly Shutoff, Supervisory Switch	4800-OSBF	\$6,174.00
2-975XLBT	Reduced Pressure Principle Assy, MBT THD x MBT THD	4800-OSBF	\$6,441.00
2-975XLBSS	2" 975XL RPDA W/ W/BFLY & SWITCH NON POIABLE	4800-OSBF	\$22,407.00
2-975XLBSS	Reduced Pressure Principle Assy, FNH Swivel x MNH	4800-OSBF	\$4,047.00
2-975XLFT	Reduced Pressure Principle Assy, FNPT x FNPT, Fast Test Cocks	4800-OSBF	\$3,125.00
2-975XLFTS	Reduced Pressure Principle Assy, FNPT x FNPT, Fast Test Cocks, Strainer	4800-OSBF	\$3,850.00
2-975XLHBM	2" 975XLHBM LESS STAND/2"975XLHBMLESSSTAND	4800-OSBF	\$12,703.00
2-975XLOS	Reduced Pressure Principle Assy, FNPT OSY x FNPT OSY	4800-OSBF	\$5,904.00
2-975XLS	Reduced Pressure Principle Assy, FNPT x FNPT, Strainer	4800-OSBF	\$3,850.00
2-975XLSAG	Reduced Pressure Principle Assy, FNPT x FNPT, Strainer, Air Gap	4800-OSBF	\$4,228.00
2-975XLSF	Reduced Pressure Principle Assy, FNPT x FNPT, Silicone Free	4800-OSBF	\$6,649.00
2-975XLTCU	Reduced Pressure Principle Assy, FNPT x FNPT, Testcocks Up	4800-OSBF	\$3,323.00
2-975XLCUFT	Reduced Pressure Principle Assy, FNPT x FNPT, Testcocks Up, Fast Test Cocks	4800-OSBF	\$3,323.00
2-975XLTCUS	Reduced Pressure Principle Assy, FNPT x FNPT, Test Cocks Up, Strainer	4800-OSBF	\$4,047.00
2-975XLTCUS	2" 975XLTCU W/STRAINER/2"975XLTCUWSTRAINER	4800-OSBF	\$6,897.00
2 ACVFCISTH24NCP	FCIS subassembly, 2" Solenoid Valve, Endpoint, Connector kits	4800-OSBF	\$19,593.00
2 ACVFCISTH24NCP	FCIS subassembly, 2" Solenoid Valve, Endpoint, Connector kits	4800-OSBF	\$16,322.00
2 ACVFCISTH24NCP	FCIS subassembly, 2" Solenoid Valve, Endpoint, Connector kits	4800-OSBF	\$17,230.00
2 ACVFCISTH24NCP	FCIS subassembly, 2" Solenoid Valve, Endpoint, Connector kits	4800-OSBF	\$24,053.00
34-975LXL	Reduced Pressure Principle Assy, MNPT X MNPT, Less Ball Valves	4800-OSBF	\$1,131.00
34-975XLBT	Reduced Pressure Principle Assy, MBT THD x MBT THD, Less Ball Valves	4800-OSBF	\$1,846.00
34-975XLFT	3/4"975 L/BV W/FAST TC	4800-OSBF	\$1,131.00
34-975XLFTBT	Reduced Pressure Principle Assy, MBT THD x MBT THD, Less Ball Valves, FT Test Cocks	4800-OSBF	\$1,766.00
34-975XLS	Reduced Pressure Principle Assy, MNPT X MNPT, Less Ball Valves, Strainer	4800-OSBF	\$1,346.00
34-975XLTCU	Reduced Pressure Principle Assy, MNPT x MNPT, Less Ball Valves Test Cocks Up	4800-OSBF	\$1,327.00
34-975XL	Reduced Pressure Principle Assy, FNPT x FNPT	4800-OSBF	\$1,435.00
34-975XLAG	Reduced Pressure Principle Assy, FNPT x FNPT, Air Gap	4800-OSBF	\$1,714.00
34-975XLD	Reduced Pressure Principle Assy, MNPT X MNPT, Less Ball Valves, DA By-pass	4800-OSBF	\$1,321.00
34-975XLDTCU	3/4" 975XLD W/TCU LEAD FREE	4800-OSBF	\$1,521.00
34-975XLFT	Reduced Pressure Principle Assy, FNPT x FNPT, Fast Test Cocks	4800-OSBF	\$1,435.00
34-975XLFTS	Reduced Pressure Principle Assy, FNPT x FNPT, Fast Test Cocks, Strainer	4800-OSBF	\$1,653.00
34-975XLOS	Reduced Pressure Principle Assy, FNPT OSY x FNPT OSY	4800-OSBF	\$3,681.00
34-975XLS	Reduced Pressure Principle Assy, FNPT x FNPT, Strainer	4800-OSBF	\$1,653.00
34-975XLSAG	Reduced Pressure Principle Assy, FNPT x FNPT, Strainer, Air Gap	4800-OSBF	\$1,934.00
34-975XLTCU	Reduced Pressure Principle Assy, FNPT x FNPT, Test Cocks Up	4800-OSBF	\$1,630.00
34-975XLCUFT	Reduced Pressure Principle Assy, FNPT x FNPT, Testcocks Up, Fast Test Cocks	4800-OSBF	\$1,630.00
34-975XLTCUS	Reduced Pressure Principle Assy, FNPT x FNPT, Test Cocks Up, Strainer	4800-OSBF	\$1,850.00
34-975XLU	Reduced Pressure Principle Assy, FNPT x FNPT, Union	4800-OSBF	\$1,586.00
34-975XLUFT	Reduced Pressure Principle Assy, FNPT x FNPT, Union, Fast Test Cocks	4800-OSBF	\$1,586.00
34-975XLUS	Reduced Pressure Principle Assy, FNPT x FNPT, Union, Strainer	4800-OSBF	\$1,805.00
34-975XLTCUS	3/4" 975XLTCU W/STRAINER	4800-OSBF	\$2,148.00
RK114-975XL	Repair Kit - 975XL Complete	4800-PART	\$215.00
RK114-975XLA	REPAIR KIT, 975XL W/SEATSREPAIRKIT,975XLW/SEA	4800-PART	\$330.00
RK114-975XLA-T	Repair Kit, 1-1/4" - 2" 975XL & XL2, seals o-rings springs short&tall seats/tool	4800-PART	\$330.00
RK114-975XLC	Repair Kit - 975XL Complete Poppets, Springs & Seats (checks & relief)	4800-PART	\$359.00
RK114-975XLC-T	Repair Kit, 1-1/4" - 2" 975XL & XL2, poppets, o-rings, springs, short/tall seats	4800-PART	\$359.00
RK114-975XLR	Repair Kit - 975XL Rubber only (checks & relief)	4800-PART	\$160.00
RK114-975XLRPK	REP KIT, 1-1/4" - 2" 975XL RUBBER PRO-KITREPKIT114"2"975XLRUB	4800-PART	\$160.00
RK114-975XLRVR	Repair Kit, 1-1/4" - 2" 975XL & XL2, rv seal rings, o-rings diaphragm	4800-PART	\$88.00
RK114-975XLSK	Repair Kit - 975XL Seat Kits (checks & relief)	4800-PART	\$72.00
RK14-975XL	Repair Kit - 975XL Complete	4800-PART	\$95.00
RK14-975XLA	REPAIR KIT, 975XL W/SEATSREPAIRKIT,975XLW/SEA	4800-PART	\$172.00
RK14-975XLC	Repair Kit - 975XL Complete Poppets, Springs & Seats (checks & relief)	4800-PART	\$230.00
RK14-975XLCPK	Repair Kit, 1/4" - 1/2" 975XL & XL2, poppets, o-rings, springs, seats check/rv p	4800-PART	\$230.00
RK14-975XLPK	REP KIT, 1/4" 975XL PRO-KITREPKIT14"975XLPROKIT	4800-PART	\$95.00
RK14-975XLR	Repair Kit - 975XL Rubber only (checks & relief)	4800-PART	\$79.00
RK14-975XLRPK	Repair Kit, 1/4" - 1/2" 975XL & XL2, check/rv seal rings, o-rings diaphragm clam	4800-PART	\$79.00
RK14-975XLSK	Repair Kit - 975XL Seat Kits (checks & relief)	4800-PART	\$66.00
RK34-975XL	Repair Kit - 975XL Complete	4800-PART	\$108.00
RK34-975XLA	REPAIR KIT, 975XL W/SEATSREPAIRKIT,975XLW/SEA	4800-PART	\$204.00
RK34-975XLA-T	REPAIR KIT, 975XL W/XL & XLT SEATS	4800-PART	\$204.00
RK34-975XLC	Repair Kit - 975XL Complete Poppets, Springs & Seats (checks & relief)	4800-PART	\$237.00
RK34-975XLC-T	REP. KIT, 3/4" TO 1" 975XL WHOLE KIT	4800-PART	\$237.00
RK34-975XLPK	REP KIT, 3/4" 950XL 975XL PRO-KITREPKIT34"950XL975XLP	4800-PART	\$108.00
RK34-975XLR	Repair Kit - 975XL Rubber only (checks & relief)	4800-PART	\$87.00
RK34-975XLRPK	REP KIT, 3/4" 975XL RUBBER PRO-KITREPKIT34"975XLRUBBER	4800-PART	\$87.00

RK34-975XLRVR	REPAIR KIT, 3/4" - 1" 975XL & XL2, RV seal rings, o-rings diaphragm	4800-PART	\$47.00
RK34-975XLSK	Repair Kit - 975XL Seat Kits (checks & relief)	4800-PART	\$70.00
RK34-975XLSKPK	REPAIR KIT, 975XL W/SEATS PRO-KITREPAIRKIT975XLSWSEATS	4800-PART	\$57.00
RK34-975XLSK-T	REP. KIT, 975XL W/SEATS	4800-PART	\$70.00
112-975XL2	Reduced Pressure Principle Assy, Lead-Free, MNPT x MNPT, Less Ball Valves	4800-OSBF	\$2,805.00
112-975XL2S	Reduced Pressure Principle Assy, Lead-Free, MNPT x MNPT, Less Ball Valves, Strainer	4800-OSBF	\$3,301.00
112-975XL2	Reduced Pressure Principle Assy, Lead-Free, FNPT x FNPT	4800-OSBF	\$3,721.00
112-975XL2AG	Reduced Pressure Principle Assy, Lead-Free, FNPT x FNPT, Air Gap	4800-OSBF	\$4,101.00
112-975XL2FT	Reduced Pressure Principle Assy, Lead-Free, FNPT x FNPT, Fast Test Cocks	4800-OSBF	\$3,721.00
112-975XL2S	Reduced Pressure Principle Assy, Lead-Free, FNPT x FNPT, Strainer	4800-OSBF	\$4,219.00
112-975XL2SAG	Reduced Pressure Principle Assy, Lead-Free, FNPT x FNPT, Strainer, Air Gap	4800-OSBF	\$4,598.00
112-975XL2SEU	Reduced Pressure Principle Assy, Lead-Free, FNPT x FNPT, Street Elbows, Union BV	4800-OSBF	\$4,688.00
112-975XL2SEUS	1-1/2" 975XL2SEU W/SXL LEAD FREE112"975XL2SEUWSXLLEA	4800-OSBF	\$5,184.00
112-975XL2TCU	Reduced Pressure Principle Assy, Lead-Free, FNPT x FNPT, Test Cocks Up	4800-OSBF	\$3,917.00
112-975XL2TCUAG	1-1/2" 975XL2TCU W/AG LEAD FREE112"975XL2TCUWAGLEAD	4800-OSBF	\$4,297.00
112-975XL2TCUFT	Reduced Pressure Principle Assy, Lead-Free, FNPT x FNPT, Test Cocks Up, Fast Test Cocks	4800-OSBF	\$3,917.00
112-975XL2TCUS	1-1/2" 975XL2 TCU W/SXL LEAD FREE112"975XL2TCUWSXLLEA	4800-OSBF	\$4,416.00
112-975XL2TCUSAG	1-1/2" 975XL2TCU W/SXL & AG LEAD FREE112"975XL2TCUWSXL&AG	4800-OSBF	\$4,793.00
112-975XL2U	Reduced Pressure Principle Assy, Lead-Free, FNPT x FNPT, Union	4800-OSBF	\$3,768.00
112-975XL2UFT	1-1/2" 975XL2 W/UBV W/FT LEAD FREE	4800-OSBF	\$3,768.00
112-975XL2US	Reduced Pressure Principle Assy, Lead-Free, FNPT x FNPT, Union, Strainer	4800-OSBF	\$4,219.00
112-975XL2UTCU	Reduced Pressure Principle Assy, Lead-Free, FNPT x FNPT, Union, Test Cocks Up	4800-OSBF	\$3,963.00
114-975XL2	Reduced Pressure Principle Assy, Lead-Free, MNPT x MNPT, Less Ball Valves	4800-OSBF	\$2,943.00
114-975XL2	Reduced Pressure Principle Assy, Lead-Free, FNPT x FNPT	4800-OSBF	\$3,693.00
114-975XL2AG	Reduced Pressure Principle Assy, Lead-Free, FNPT x FNPT, Air Gap	4800-OSBF	\$4,073.00
114-975XL2FT	Reduced Pressure Principle Assy, Lead-Free, FNPT x FNPT, Fast Test Cocks	4800-OSBF	\$3,693.00
114-975XL2S	Reduced Pressure Principle Assy, Lead-Free, FNPT x FNPT, Strainer	4800-OSBF	\$4,060.00
114-975XL2SAG	Reduced Pressure Principle Assy, Lead-Free, FNPT x FNPT, Strainer, Air Gap	4800-OSBF	\$4,438.00
114-975XL2SEU	Reduced Pressure Principle Assy, Lead-Free, FNPT x FNPT, Street Elbows, Union BV	4800-OSBF	\$4,471.00
114-975XL2TCU	Reduced Pressure Principle Assy, Lead-Free, FNPT x FNPT, Test Cocks Up	4800-OSBF	\$3,892.00
114-975XL2TCUAG	1-1/4" 975XL2TCU W/AG LEAD FREE114"975XL2TCUWAGLEAD	4800-OSBF	\$4,268.00
114-975XL2TCUFT	Reduced Pressure Principle Assy, Lead-Free, FNPT x FNPT, Test Cocks Up, Fast Test Cocks	4800-OSBF	\$3,892.00
114-975XL2TCUS	1-1/4" 975XL2TCU W/SXL LEAD FREE114"975XL2TCUWSXLLEA	4800-OSBF	\$4,255.00
114-975XL2TCUSAG	1-1/4" 975XL2TCU W/SXL & AG-5 LEAD FREE	4800-OSBF	\$4,633.00
114-975XL2U	Reduced Pressure Principle Assy, Lead-Free, FNPT x FNPT, Union	4800-OSBF	\$3,715.00
114-975XL2US	Reduced Pressure Principle Assy, Lead-Free, FNPT x FNPT, Union, Strainer	4800-OSBF	\$4,047.00
114-975XL2UTCU	Reduced Pressure Principle Assy, Lead-Free, FNPT x FNPT, Union, Test Cocks Up	4800-OSBF	\$3,913.00
12-975XL2	Reduced Pressure Principle Assy, Lead-Free, MNPT x MNPT, Less Ball Valves	4800-OSBF	\$1,456.00
12-975XL2	Reduced Pressure Principle Assy, Lead-Free, FNPT x FNPT	4800-OSBF	\$1,924.00
12-975XL2AG	Reduced Pressure Principle Assy, Lead-Free, FNPT x FNPT, Air Gap	4800-OSBF	\$2,186.00
12-975XL2FT	Reduced Pressure Principle Assy, Lead-Free, FNPT x FNPT, Fast Test Cocks	4800-OSBF	\$1,924.00
12-975XL2FTS	Reduced Pressure Principle Assy, Lead-Free, FNPT x FNPT, Fast Test Cocks, Strainer	4800-OSBF	\$2,121.00
12-975XL2S	Reduced Pressure Principle Assy, Lead-Free, FNPT x FNPT, Strainer	4800-OSBF	\$2,121.00
12-975XL2SAG	Reduced Pressure Principle Assy, Lead-Free, FNPT x FNPT, Strainer, Air Gap	4800-OSBF	\$2,386.00
12-975XL2SAG-BAA	1/2" 975 RP Ball Vlv NPT SXL Strnr Y-patrn Lead Free w/ air gap, BAA Compliant	4800-OSBF	\$2,624.00
12-975XL2TCU	Reduced Pressure Principle Assy, Lead-Free, FNPT x FNPT, Test Cocks Up	4800-OSBF	\$2,118.00
12-975XL2TCUAG	1/2" 975XL2TCU W/AG-8 LEAD FREE12"975XL2TCUWAG8LEAD	4800-OSBF	\$2,384.00
12-975XL2TCUFT	Reduced Pressure Principle Assy, Lead-Free, FNPT x FNPT, Test Cocks Up, Fast Test Cocks	4800-OSBF	\$2,118.00
12-975XL2TCUS	1/2" 975XL2TCU W/SXL LEAD FREE	4800-OSBF	\$2,319.00
12-975XL2TCUSAG	1/2" 975XL2TCU W/SXL & AG-8 LEAD FREE	4800-OSBF	\$2,582.00
12-975XL2U	Reduced Pressure Principle Assy, Lead-Free, FNPT x FNPT, Union	4800-OSBF	\$2,557.00
14-975XL2	Reduced Pressure Principle Assy, Lead-Free, MNPT x MNPT, Less Ball Valves	4800-OSBF	\$1,475.00
14-975XL2	Reduced Pressure Principle Assy, Lead-Free, FNPT x FNPT	4800-OSBF	\$1,624.00
14-975XL2TCU	Reduced Pressure Principle Assy, Lead-Free, FNPT x FNPT, Test Cocks Up	4800-OSBF	\$1,820.00
1-975XL2	Reduced Pressure Principle Assy, Lead-Free, MNPT x MNPT, Less Ball Valves	4800-OSBF	\$1,752.00

1-975XL2FT	Reduced Pressure Principle Assy, Lead-Free, MNPT x MNPT, Less Ball Valves, FT Test Cocks	4800-OSBF	\$1,752.00
1-975XL2	Reduced Pressure Principle Assy, Lead-Free, FNPT x FNPT	4800-OSBF	\$2,126.00
1-975XL2AG	Reduced Pressure Principle Assy, Lead-Free, FNPT x FNPT, Air Gap	4800-OSBF	\$2,408.00
1-975XL2FT	Reduced Pressure Principle Assy, Lead-Free, FNPT x FNPT, Fast Test Cocks	4800-OSBF	\$2,126.00
1-975XL2MSFC	1" 975 RP MonSwitch FCIS Ball Vlv NPT Y-pattern Lead Free	4800-OSBF	\$3,711.00
1-975XL2MSU	1" 975XL2 w/Relief Valve Monitor Switch Union Ball Vlv Lead Free	4800-OSBF	\$4,080.00
1-975XL2S	Reduced Pressure Principle Assy, Lead-Free, FNPT x FNPT, Strainer	4800-OSBF	\$2,376.00
1-975XL2SAG	Reduced Pressure Principle Assy, Lead-Free, FNPT x FNPT, Strainer, Air Gap	4800-OSBF	\$2,657.00
1-975XL2SAG-T	1" 975XL2SAG W/T SEAT IN #2 LEAD FREE	4800-OSBF	\$2,657.00
1-975XL2SE	Reduced Pressure Principle Assy, Lead-Free, FNPT x FNPT, Street Elbows	4800-OSBF	\$2,993.00
1-975XL2SEOS	1" 975XL2SE OLD STYLE LEAD FREE	4800-OSBF	\$3,326.00
1-975XL2SEU	Reduced Pressure Principle Assy, Lead-Free, FNPT x FNPT, Street Elbows, Union BV	4800-OSBF	\$3,528.00
1-975XL2SEUFT	Reduced Pressure Principle Assy, Lead-Free, FNPT x FNPT, Street Elbows, Union BV, FT	4800-OSBF	\$3,528.00
1-975XL2-T	1" 975XL2 W/T SEAT IN #2 LEAD FREE	4800-OSBF	\$2,681.00
1-975XL2TCU	Reduced Pressure Principle Assy, Lead-Free, FNPT x FNPT, Test Cocks Up	4800-OSBF	\$2,324.00
1-975XL2TCUAG	1" 975XL2TCU W/AG-4 LEAD FREE1"975XL2TCUWAG4LEAD	4800-OSBF	\$2,601.00
1-975XL2TCUFT	Reduced Pressure Principle Assy, Lead-Free, FNPT x FNPT, Test Cocks Up, Fast Test Cocks	4800-OSBF	\$2,324.00
1-975XL2TCUS	1" 975XL2TCU W/SXL LEAD FREE	4800-OSBF	\$2,570.00
1-975XL2TCUSAG	1" 975XL2TCU W/SXL & AG-4 LEAD FREE	4800-OSBF	\$2,852.00
1-975XL2TCUSAG-T	1" 975XL2TCUSAG W/T SEAT IN #2 LF	4800-OSBF	\$2,852.00
1-975XL2TCU-T	1" 975XL2TCU W/T SEAT IN #2 LF	4800-OSBF	\$2,875.00
1-975XL2U	Reduced Pressure Principle Assy, Lead-Free, FNPT x FNPT, Union	4800-OSBF	\$2,397.00
1-975XL2UFT	Reduced Pressure Principle Assy, Lead-Free, FNPT x FNPT, Union, Fast Test Cocks	4800-OSBF	\$2,065.00
1-975XL2US	Reduced Pressure Principle Assy, Lead-Free, FNPT x FNPT, Union, Strainer	4800-OSBF	\$2,625.00
1-975XL2UTCU	Reduced Pressure Principle Assy, Lead-Free, FNPT x FNPT, Union, Test Cocks Up	4800-OSBF	\$2,260.00
2-975XL2	Reduced Pressure Principle Assy, Lead-Free, MNPT x MNPT, Less Ball Valves	4800-OSBF	\$2,832.00
2-975XL2FT	Reduced Pressure Principle Assy, Lead-Free, MNPT x MNPT, Less Ball Valves, FT Test Cocks	4800-OSBF	\$2,832.00
2-975XL2S	Reduced Pressure Principle Assy, Lead-Free, MNPT x MNPT, Less Ball Valves, Strainer	4800-OSBF	\$3,556.00
2-975XL2	Reduced Pressure Principle Assy, Lead-Free, FNPT x FNPT	4800-OSBF	\$4,129.00
2-975XL2AG	Reduced Pressure Principle Assy, Lead-Free, FNPT x FNPT, Air Gap	4800-OSBF	\$4,509.00
2-975XL2FT	Reduced Pressure Principle Assy, Lead-Free, FNPT x FNPT, Fast Test Cocks	4800-OSBF	\$4,129.00
2-975XL2S	Reduced Pressure Principle Assy, Lead-Free, FNPT x FNPT, Strainer	4800-OSBF	\$4,856.00
2-975XL2SAG	Reduced Pressure Principle Assy, Lead-Free, FNPT x FNPT, Strainer, Air Gap	4800-OSBF	\$5,234.00
2-975XL2SEU	Reduced Pressure Principle Assy, Lead-Free, FNPT x FNPT, Street Elbows, Union BV	4800-OSBF	\$5,386.00
2-975XL2SEUS	2" 975XL2SEU W/SXL LEAD FREE	4800-OSBF	\$6,110.00
2-975XL2TCU	Reduced Pressure Principle Assy, Lead-Free, FNPT x FNPT, Test Cocks Up	4800-OSBF	\$4,326.00
2-975XL2TCUAG	2" 975XL2TCU W/AG LEAD FREE2"975XL2TCUWAGLEADFR	4800-OSBF	\$4,709.00
2-975XL2TCUFT	Reduced Pressure Principle Assy, Lead-Free, FNPT x FNPT, Test Cocks Up, Fast Test Cocks	4800-OSBF	\$4,326.00
2-975XL2TCUS	2" 975XL2 TCU W/SXL LEAD FREE2"975XL2TCUWSXLLEADFR	4800-OSBF	\$5,053.00
2-975XL2TCUSAG	2" 975XL2TCU W/SXL & AG-5 LEAD FREE	4800-OSBF	\$5,429.00
2-975XL2U	Reduced Pressure Principle Assy, Lead-Free, FNPT x FNPT, Union	4800-OSBF	\$4,686.00
2-975XL2UFT	2" 975XL2 W/UBV W/FT LEAD FREE	4800-OSBF	\$4,686.00
2-975XL2US	Reduced Pressure Principle Assy, Lead-Free, FNPT x FNPT, Union, Strainer	4800-OSBF	\$5,342.00
2-975XL2USAG	2" 975XL2 W/UBV, SXL, & AG-5 LEAD FREE2"975XL2WUBVXSXL&AG5L	4800-OSBF	\$5,685.00
2-975XL2UTCUS	2" 975XL2TCU W/UBV W/SXL LEAD FREE2"975XL2TCUWUBVWSXL	4800-OSBF	\$5,603.00
34-975XL2	Reduced Pressure Principle Assy, Lead-Free, MNPT x MNPT, Less Ball Valves	4800-OSBF	\$1,746.00
34-975XL2FT	Reduced Pressure Principle Assy, Lead-Free, MNPT x MNPT, Less Ball Valves, FT Test Cocks	4800-OSBF	\$1,746.00
34-975XL2	Reduced Pressure Principle Assy, Lead-Free, FNPT x FNPT	4800-OSBF	\$2,010.00
34-975XL2AG	Reduced Pressure Principle Assy, Lead-Free, FNPT x FNPT, Air Gap	4800-OSBF	\$2,292.00
34-975XL2FT	Reduced Pressure Principle Assy, Lead-Free, FNPT x FNPT, Fast Test Cocks	4800-OSBF	\$2,010.00
34-975XL2FTS	Reduced Pressure Principle Assy, Lead-Free, FNPT x FNPT, Fast Test Cocks, Strainer	4800-OSBF	\$2,228.00
34-975XL2S	Reduced Pressure Principle Assy, Lead-Free, FNPT x FNPT, Strainer	4800-OSBF	\$2,228.00
34-975XL2SAG	Reduced Pressure Principle Assy, Lead-Free, FNPT x FNPT, Strainer, Air Gap	4800-OSBF	\$2,507.00
34-975XL2SAG-T	3/4" 975XL2SAG W/T SEAT IN #2 LEAD FREE	4800-OSBF	\$2,507.00
34-975XL2SE	Reduced Pressure Principle Assy, Lead-Free, FNPT x FNPT, Street Elbows	4800-OSBF	\$2,889.00
34-975XL2SEOS	3/4" 975XL2SE OLD STYLE LEAD FREE	4800-OSBF	\$2,931.00
34-975XL2SEU	Reduced Pressure Principle Assy, Lead-Free, FNPT x FNPT, Street Elbows, Union BV	4800-OSBF	\$3,356.00
34-975XL2SEUOS	3/4" 975XL2 W/UBV SE OLD STYLE, LEAD FREE	4800-OSBF	\$3,030.00
34-975XL2-T	3/4" 975XL2 W/T SEAT IN #2 LEAD FREE	4800-OSBF	\$2,488.00
34-975XL2TCU	Reduced Pressure Principle Assy, Lead-Free, FNPT x FNPT, Test Cocks Up	4800-OSBF	\$2,208.00

34-975XL2ZCUAG	3/4" 975XL2ZTCU W/AG-4 LEAD FREE34"975XL2ZTCUWAGLEAD	4800-OSBF	\$2,487.00
34-975XL2ZCUFT	Reduced Pressure Principle Assy, Lead-Free, FNPT x FNPT, Test Cocks Up, Fast Test Cocks	4800-OSBF	\$2,208.00
34-975XL2ZCUFTS	3/4" 975XL2 RP TC UP FAST TEST W/SXL LEAD FREE	4800-OSBF	\$2,423.00
34-975XL2ZCUS	3/4" 975XL2ZTCU FAST TEST LEAD FREE	4800-OSBF	\$2,423.00
34-975XL2ZCUSAG	3/4" 975XL2ZTCU W/SXL & AG-4 LEAD FREE	4800-OSBF	\$2,706.00
34-975XL2ZCUSAG-T	3/4" 975XL2ZCUSAG W/T SEAT IN #2 LF	4800-OSBF	\$2,706.00
34-975XL2ZCU-T	3/4" 975XL2ZCU W/T SEAT IN#2 LF	4800-OSBF	\$2,681.00
34-975XL2ZU	Reduced Pressure Principle Assy, Lead-Free, FNPT x FNPT, Union	4800-OSBF	\$2,235.00
34-975XL2ZUFT	Reduced Pressure Principle Assy, Lead-Free, FNPT x FNPT, Union, Fast Test Cocks	4800-OSBF	\$1,881.00
34-975XL2ZUS	Reduced Pressure Principle Assy, Lead-Free, FNPT x FNPT, Union, Strainer	4800-OSBF	\$2,432.00
34-975XL2ZUTCU	Reduced Pressure Principle Assy, Lead-Free, FNPT x FNPT, Union, Test Cocks Up	4800-OSBF	\$2,074.00
34-975XL2ZUTCUS	3/4" 975XL2ZTCU W/UBV W/SXL LEAD FREE	4800-OSBF	\$2,293.00
38-975XL2	Reduced Pressure Principle Assy, Lead-Free, MNPT x MNPT, Less Ball Valves	4800-OSBF	\$1,497.00
38-975XL2	Reduced Pressure Principle Assy, Lead-Free, FNPT x FNPT	4800-OSBF	\$1,662.00
38-975XL2FT	Reduced Pressure Principle Assy, Lead-Free, FNPT x FNPT, Fast Test Cocks	4800-OSBF	\$1,662.00
RK114-RV-COVER	REPAIR KIT, RELIEF VALVE COVER, 1-1/4" - 2" 975XL2/975XL	4800-PART	\$402.00
RK34-RV-COVER	REPAIR KIT, RELIEF VALVE COVER, 3/4" - 1" 975XL2/975XL	4800-PART	\$304.00
RK114-CK-COVER	REPAIR KIT, CHECK COVER, 1-1/4" - 2" 975XL2/975XL/950XL/950XL2	4800-PART	\$252.00
RK34-CK-COVER	REPAIR KIT, CHECK COVER, 3/4" - 1" 975XL2/975XL/950XL/950XL2	4800-PART	\$213.00
112-975XL2MSFCTCU	1-1/2" 975RP Lead Free w/Monitor Switch for FCIS, Test Cocks Up	4800-OSBF	\$6,703.00
1-975XL2MS	Reduced Pressure Principle Assy, Lead-Free, FNPT x FNPT, Monitor Switch	4800-OSBF	\$3,733.00
112-975XL3	1-1/2" 975XL3 RP Ball Vlv NPT Top Access Lead Free	4800-OSBF	\$3,223.00
112-975XL3FT	1-1/2" 975XL3 RP Ball Vlv Fasttest TC NPT Top Access Lead Free	4800-OSBF	\$3,223.00
112-975XL3S	1-1/2" 975XL3 RP Ball Vlv NPT SXL Strainr Top Access Lead Free	4800-OSBF	\$3,721.00
112-975XL3SAG	1-1/2" 975XL3 RP Ball Vlv NPT SXL Strainr Top Access Lead Free w/air gap	4800-OSBF	\$4,008.00
112-975XL3U	1-1/2" 975XL3 RP Union Ball Vlv NPT Top Access Lead Free	4800-OSBF	\$3,268.00
114-975XL3	1-1/4" 975XL3 RP Ball Vlv NPT Top Access Lead Free	4800-OSBF	\$3,197.00
114-975XL3BFSS	1-1/4" 975XL3 DC Bfly w/Switch NPT Top Access Lead Free	4800-OSBF	\$7,655.00
114-975XL3FISAG	1-1/4" 975XL3 RP Vlv Fasttest TC NPT SXL Strmr Top Access Lead Free w/Air Gap	4800-OSBF	\$3,887.00
114-975XL3S	1-1/4" 975XL3 RP Ball Vlv NPT SXL Strainr Top Access Lead Free	4800-OSBF	\$3,565.00
114-975XL3SAG	1-1/4" 975XL3 RP Ball Vlv NPT SXL Strainr Top Access Lead Free w/air gap	4800-OSBF	\$3,852.00
114-975XL3U	1 1/4" 975XL3, RP Assembly, Cast Bronze Lead Free, Union Ball Valve, NPT	4800-OSBF	\$3,220.00
12-975XL3	1/2" 975XL3 RP Ball Vlv NPT Top Access Lead Free	4800-OSBF	\$1,700.00
12-975XL3S	1/2" 975XL3 RP Ball Vlv NPT SXL Strainr Top Access Lead Free	4800-OSBF	\$1,902.00
12-975XL3SAG	1/2" 975XL3 RP Ball Vlv NPT SXL Strainr Top Access Lead Free w/Air Gap	4800-OSBF	\$2,172.00
1-975XL3	1" 975XL3 RP Ball Vlv NPT Top Access Lead Free	4800-OSBF	\$1,836.00
1-975XL3LBT	1" 975XL3 RP Less shutoff BSPT Top Access Lead Free	4800-OSBF	\$2,790.00
1-975XL3S	1" 975XL3 RP Ball Vlv NPT SXL Strainr Top Access Lead Free	4800-OSBF	\$2,090.00
1-975XL3SAG	1" 975XL3 RP Ball Vlv NPT SXL Strainr Top Access Lead Free w/air gap	4800-OSBF	\$2,359.00
1-975XL3SE	1" 975XL3, RP Assembly, Cast Bronze Lead Free, Sweeping Elbow, Ball Valve, NPT	4800-OSBF	\$2,034.00
1-975XL3SEU	1" 975XL3 RP Vert St Ell Union Ball Vlv NPT Top Access Lead Free	4800-OSBF	\$3,174.00
1-975XL3U	1" 975XL3 RP Union Ball Vlv NPT Top Access Lead Free	4800-OSBF	\$2,105.00
2-975XL3	2" 975XL3 RP Ball Vlv NPT Top Access Lead Free	4800-OSBF	\$3,566.00
2-975XL3FT	2" 975XL3 RP Ball Vlv Fasttest TC NPT Top Access Lead Free	4800-OSBF	\$3,566.00
2-975XL3HBMMLM	2" 975XL3 RP Hydrant Backflow L/Meter Outfit Gate 2.5" Hose Female x Male Non Pot	4800-OSBF	\$6,722.00
2-975XL3S	2" 975XL3 RP Ball Vlv NPT SXL Strainr Top Access Lead Free	4800-OSBF	\$4,296.00
2-975XL3SAG	2" 975XL3 RP Ball Vlv NPT SXL Strainr Top Access Lead Free w/air gap	4800-OSBF	\$4,678.00
2-975XL3U	2" 975XL3 RP Union Ball Vlv NPT Top Access Lead Free	4800-OSBF	\$4,124.00
34-975XL3	3/4" 975XL3 RP Ball Vlv NPT Top Access Lead Free	4800-OSBF	\$1,734.00
34-975XL3AG	3/4" 975XL3 RP Ball Vlv NPT Top Access Lead Free w/air gap	4800-OSBF	\$2,003.00
34-975XL3LBT	3/4" 975XL3 RP Less shutoff BSPT Top Access Lead Free	4800-OSBF	\$2,163.00
34-975XL3S	3/4" 975XL3 RP Ball Vlv NPT SXL Strainr Top Access Lead Free	4800-OSBF	\$1,955.00
34-975XL3SAG	3/4" 975XL3 RP Ball Vlv NPT SXL Strainr Top Access Lead Free w/air gap	4800-OSBF	\$2,223.00
34-975XL3SE	3/4" 975XL3 RP Vert St Ell Union Ball Vlv NPT Top Access Lead Free	4800-OSBF	\$2,034.00
34-975XL3SEU	3/4" 975XL3 RP Vert St Ell Union Ball Vlv NPT Top Access Lead Free	4800-OSBF	\$2,214.00
34-975XL3U	3/4" 975XL3 RP Union Ball Vlv NPT Top Access Lead Free	4800-OSBF	\$1,962.00
RK114-975XL3	Repair Kit, 1-1/4" - 1-1/2" 975XL3, Complete Internal, Checks and Relief	4800-PART	\$212.00
RK114-975XL3CH	Repair Kit, 1-1/4" - 1-1/2" 975XL3, Check Assembly	4800-PART	\$120.00
RK114-975XL3R	Repair Kit, 1-1/4" - 1-1/2" 975XL3, Seal Rings and O-rings	4800-PART	\$39.00
RK114-975XL3RV	Repair Kit, 1-1/4" - 1-1/2" 975XL3, Relief Valve	4800-PART	\$134.00
RK114-975XL3RVC	Repair Kit, 1-1/4" - 1-1/2" 975XL3, Relief Valve Cover	4800-PART	\$87.00
RK1-975XL3	Repair Kit, 1" 975XL3, Complete Internal, Checks and Relief	4800-PART	\$147.00
RK1-975XL3CH	Repair Kit, 1" 975XL3, Check Assembly	4800-PART	\$77.00
RK1-975XL3R	Repair Kit, 1" 975XL3, Seal Rings and O-rings	4800-PART	\$47.00
RK2-975XL3	Repair Kit, 2" 975XL3, Complete Internal, Checks and Relief	4800-PART	\$311.00
RK2-975XL3CH	Repair Kit, 2" 975XL3, Check Assembly	4800-PART	\$170.00
RK2-975XL3R	Repair Kit, 2" 975XL3, Seal Rings and O-rings	4800-PART	\$52.00

RK2-975XL3RV	Repair Kit, 2" 975XL3, Relief Valve	4800-PART	\$197.00
RK2-975XL3RVC	Repair Kit, 2" 975XL3, Relief Valve Cover	4800-PART	\$131.00
RK34-975XL3	Repair Kit, 1/2" - 3/4" 975XL3, Complete Internal, Checks and Relief	4800-PART	\$143.00
RK34-975XL3CH	Repair Kit, 1/2" - 3/4" 975XL3, Check Assembly	4800-PART	\$74.00
RK34-975XL3R	Repair Kit, 1/2" - 3/4" 975XL3, Seal Rings and O-rings	4800-PART	\$45.00
RK34-975XL3RV	Repair Kit, 1/2" - 1" 975XL3, Relief Valve	4800-PART	\$89.00
RK34-975XL3RVC	Repair Kit, 1/2" - 1" 975XL3, Relief Valve Cover	4800-PART	\$39.00
RK114-975XL3SK-T	Repair Kit, 1-1/4" - 2" 975XL & XL2, short/tall checks & rv seat w/o-ring	4800-PART	\$72.00
1-975XLSE	Reduced Pressure Principle Assy, FNPT x FNPT, Street Elbows	4800-OSBF	\$2,594.00
1-975XLSEOS	1"975XLSEOS OLD STYLE	4800-OSBF	\$1,646.00
1-975XLSEOSU	1"975XL OLD STYLE W/UN BV	4800-OSBF	\$2,751.00
1-975XLSEOSUFT	1"975XLSEOS W/FT & UN BV	4800-OSBF	\$2,896.00
1-975XLSEU	Reduced Pressure Principle Assy, FNPT x FNPT, Street Elbows, Union BV	4800-OSBF	\$2,896.00
1-975XLSEUFT	Reduced Pressure Principle Assy, FNPT x FNPT, Street Elbows, Union BV, FT	4800-OSBF	\$2,896.00
1-975XLSEUS	Reduced Pressure Principle Assy, FNPT x FNPT, Street Elbows, Union BV, Strainer	4800-OSBF	\$3,142.00
34-975XLSE	Reduced Pressure Principle Assy, FNPT x FNPT, Street Elbows	4800-OSBF	\$2,546.00
34-975XLSEOS	3/4"975XLSEOS OLD STYLE	4800-OSBF	\$2,429.00
34-975XLSEOSUFT	3/4"975XLSEOS W/FT & UN BV	4800-OSBF	\$2,546.00
34-975XLSEU	Reduced Pressure Principle Assy, FNPT x FNPT, Street Elbows, Union BV	4800-OSBF	\$2,802.00
34-975XLSEUFT	Reduced Pressure Principle Assy, FNPT x FNPT, Street Elbows, Union BV, FT	4800-OSBF	\$2,802.00
34-975XLSEUS	Reduced Pressure Principle Assy, FNPT x FNPT, Street Elbows, Union BV, Strainer	4800-OSBF	\$3,008.00
12-975XLST	Reduced Pressure Principle Assy, Stainless Steel, FNPT x FNPT	4800-OSBF	\$7,040.00
38-975XLST	Reduced Pressure Principle Assy, Stainless Steel, FNPT x FNPT	4800-OSBF	\$7,040.00
38-SST	3/8" Y STRAINER, SS	4800-OSTR	\$426.00
1-975XL-T	1" 975XL W/T SEAT IN #2 NON-POTABLE	4800-OSBF	\$2,330.00
34-975XL-T	3/4" 975XL W/T SEAT IN #2 NON-POTABLE	4800-OSBF	\$2,167.00
112-ACVFCISTH24NOP	112-ZW209BPPRV	4800-OACV	\$15,829.00
112-ACVFCISTH24NCP	FCIS subassembly, 1-1/2" Solenoid Valve, Endpoint, Connector kits	4800-OACV	\$16,736.00
112-ACVFCISTH24NOP	FCIS subassembly, 1-1/2" Solenoid Valve, Endpoint, Connector kits	4800-OACV	\$20,057.00
4 ACVFCISG24NOP	4" 24VAC NOR OPEN SLND MANL OP FCIS GRV	4800-OACV	\$68,072.00
4 ACVFCISG24NCP	4" 24VAC NOR OPEN SLND W/POS IND. MANL OP FCIS GRV	4800-OACV	\$19,139.00
4 ACVFCISOSY24NCP	FCISOSY subassembly, 4" Solenoid Valve, Endpoint, Connector kits	4800-OACV	\$21,055.00
4 ACVFCISOSY24NCPRV	FCISOSY subassembly, 4" Solenoid Valve, Endpoint, Connector kits, Rev Pilot	4800-OACV	\$21,055.00
4 ACVFCISOSY24NOP	FCISOSY subassembly, 4" Solenoid Valve, Endpoint, Connector kits	4800-OACV	\$24,752.00
4 ACVFCISOSYG24NOP	4" 24VAC NOR OPEN SLND MANL OP FCISOSY GRV	4800-OACV	\$68,072.00
4 ACVFCISZ24NCP	FCIS subassembly, 4" Solenoid Valve, Endpoint, Connector kits	4800-OACV	\$22,003.00
4 ACVFCISZ24NOP	4" 24VAC NOR OPEN SLND W/POS IND. MANL OP FCIS	4800-OACV	\$28,705.00
AG-10	Air Gap, 475V, Iron	4800-OMWS	\$933.00
AG-11	Air Gap, 375, Composite	4800-OMWS	\$231.00
AG-12	Air Gap, 375, Composite	4800-OMWS	\$303.00
AG-13	4" - 6" 475ST & 475STV AIR GAP	4800-OMWS	\$623.00
AG-14	8" - 10" 475ST & 475STV AIR GAP	4800-OMWS	\$933.00
AG-4	Air Gap, 975XL, Iron	4800-OMWS	\$290.00
AG-5	Air Gap, 975XL, Iron	4800-OMWS	\$383.00
AG-6	Air Gap, 375 & 475, Iron	4800-OMWS	\$485.00
AG-6-COL	Air Gap, 375 & 475, Iron, Columbus Style 1	4800-OMWS	\$929.00
AG-6-COLS	Air Gap, 375 & 475, Iron, Columbus Style 2	4800-OMWS	\$1,167.00
AG-7	Air Gap, 375 & 475, Iron	4800-OMWS	\$787.00
AG-7-COL	Air Gap, 375 & 475, Iron, Columbus Style	4800-OMWS	\$1,138.00
AG-8	Air Gap, 975XL, Iron	4800-OMWS	\$276.00
AG-9	Air Gap, 475V, Iron	4800-OMWS	\$626.00
BATT-9V	BATTERY, 9V	4800-OMWS	\$71.00
BFP-8BSPS	Hose Connection Vacuum Breaker, British Straight x British Straight	4800-OHYD	\$49.00
BFP-8F	Hose Connection Vacuum Breaker, FNH x MNH	4800-OHYD	\$75.00
BFP-9	Hose Connection Vacuum Breaker, FNH x MNH	4800-OHYD	\$48.00
BFP-9CH	Hose Connection Vacuum Breaker, FNH x MNH, Chrome Plated	4800-OHYD	\$62.00
BR5-80CLXS	FRICTION RING, 1-1/2" - 2" NR3XL, SS	4800-OPRV	\$100.00
BRK114-720A-CANOPY	BULK REPAIR KIT (6PCS), CANOPY, 1-1/4" - 2" 720A	4800-OPRV	\$99.00
10-BK	Bolt Kit - 10", Zinc Plated	4800-OMWS	\$1,385.00
10-BK-ACV	10" BOLT, STUD, GASKET KIT, CLASS 150 FLG	4800-OMWS	\$587.00
10-BK-FSC	10" BOLT, NUT, GASKET KIT ONE FLANGE	4800-OMWS	\$758.00
212-BK	Bolt Kit - 2 1/2", Zinc Plated	4800-OMWS	\$292.00
212-BK-ACV	2-1/2" BOLT, STUD, GASKET KIT, CLASS 150 FLG	4800-OMWS	\$476.00
212-BK-FSC	2-1/2" BOLT, NUT, GASKET KIT ONE FLANGE	4800-OMWS	\$136.00
212-SBCK-WILK	Bolt Kit, Stainless Steel, SS Bonnet Bolts, Wilkins Gate Valves	4800-OMWS	\$717.00
3-BK	Bolt Kit - 3", Zinc Plated	4800-OMWS	\$303.00
3-BK-ACV	3" BOLT, STUD, GASKET KIT, CLASS 150 FLG	4800-OMWS	\$392.00
3-BK-FSC	3" BOLT, NUT, GASKET KIT ONE FLANGE	4800-OMWS	\$302.00
3-SBCK-WILK	Bolt Kit, Stainless Steel, SS Bonnet Bolts, Wilkins Gate Valves	4800-OMWS	\$806.00
4-BK	Bolt Kit - 4", Zinc Plated	4800-OMWS	\$438.00
4-BK-ACV	4" BOLT, STUD, GASKET KIT, CLASS 150 FLG	4800-OMWS	\$510.00
4-BK-FSC	4" BOLT, NUT, GASKET KIT ONE FLANGE	4800-OMWS	\$2,427.00
4-BKST	4" FLANGE BOLT KIT STAINLESS STEEL	4800-OMWS	\$1,003.00
4-BLKTABLETOP	4" BLACK TABLETOP STAND	4800-OMWS	\$444.00
4-SBCK-WILK	Bolt Kit, Stainless Steel, SS Bonnet Bolts, Wilkins Gate Valves	4800-OMWS	\$1,438.00

6-BK	Bolt Kit - 6", Zinc Plated	4800-OMWS	\$571.00
6-BK-ACV	6" BOLT, STUD, GASKET KIT, CLASS 150 FLG	4800-OMWS	\$370.00
6-SBCK-WILK	Bolt Kit, Stainless Steel, SS Bonnet Bolts, Wilkins Gate Valves	4800-OMWS	\$2,138.00
8-BK	Bolt Kit - 8", Zinc Plated	4800-OMWS	\$783.00
8-BK-ACV	8" BOLT, STUD, GASKET KIT, CLASS 150 FLG	4800-OMWS	\$465.00
8-BK-FSC	8" BOLT, NUT, GASKET KIT ONE FLANGE	4800-OMWS	\$396.00
8-SBCK-WILK	Bolt Kit, Stainless Steel, SS Bonnet Bolts, Wilkins Gate Valves	4800-OMWS	\$4,964.00
114-BR4DUSPC	SPACER, 1-1/4" BR4	4800-OPRV	\$194.00
34-BR4ST-BP	3/4" BR4 PRV 15-150 PSI ACV low flow bypass w/ SS PRST bell SS body	4800-OPRV	\$675.00
RK112-BR4	Repair Kit - BR4	4800-PART	\$414.00
RK114-BR4	Repair Kit - BR4	4800-PART	\$227.00
RK12-BR4	Repair Kit - BR4	4800-PART	\$141.00
RK12-BULKHEAD-F	REPAIR KIT, 1/2" FEMALE BULKHEAD FITTING ASSY. LEAD FREE	4800-PART	\$209.00
RK12-BULKHEAD-M	REPAIR KIT, 1/2" MALE BULKHEAD FITTING ASSY. LEAD FREE	4800-PART	\$214.00
RK1-BR4	Repair Kit - BR4	4800-PART	\$186.00
RK2-BR4	Repair Kit - BR4	4800-PART	\$472.00
RK34-BR4SS	Repair Kit - BR4, Stainless Steel Components	4800-PART	\$132.00
RK1-BR4XL	REPAIR KIT, 1" BR4XL	4800-PART	\$186.00
RK34-BR4XL	REPAIR KIT, 3/4" BR4XL/REPAIRKIT34"BR4XL	4800-PART	\$154.00
RK34-BR4XLPK	REP KIT, 3/4" BR4XL PRO-KITREPKIT34"BR4XLPK	4800-PART	\$143.00
RK34-BULKHEAD-F	REPAIR KIT, 3/4" FEMALE BULKHEAD FITTING ASSY. LEAD FREE	4800-PART	\$245.00
RK34-BULKHEAD-M	REPAIR KIT, 3/4" MALE BULKHEAD FITTING ASSY. LEAD FREE	4800-PART	\$245.00
RK2-BVHDXL	RK 2" SS BV HANDLES 2PER GREEN LF	4800-PART	\$81.00
34-BVECLX-100	3/4" BV, FNPT W/EC 100 LEAD FREE	4800-OTPV	\$477.00
34-BVECLX-100BF	3/4" BV, FNPT W/EC 100, BF LEAD FREE	4800-OTPV	\$477.00
34-BVECLX-100CF	3/4" BV, FNPT W/EC 100, CF LEAD FREE	4800-OTPV	\$430.00
34-BVECLX-100-PEX	3/4" BVECLX-100 W/1/2" PEX FIT LEAD FREE	4800-OTPV	\$477.00
34-BVECLX-125	3/4" BV, FNPT W/EC 125 LEAD FREE	4800-OTPV	\$477.00
34-BVECLX-125BF	3/4" BV, FNPT W/EC 125, BF LEAD FREE	4800-OTPV	\$444.00
34-BVECLX-125CF	3/4" BV, FNPT W/EC 125, CF LEAD FREE	4800-OTPV	\$444.00
34-BVECLX-125-PEX	3/4" BVECLX-125 W/1/2" PEX FIT LEAD FREE	4800-OTPV	\$444.00
34-BVECLX-80	3/4" BV, FNPT W/EC 80 LEAD FREE	4800-OTPV	\$477.00
34-BVECLX-80BF	3/4" BV, FNPT W/EC 80, BF LEAD FREE	4800-OTPV	\$477.00
34-BVECLX-80CF	3/4" BV, FNPT W/EC 80, CF LEAD FREE	4800-OTPV	\$477.00
34-BVECLX-80-PEX	3/4" BVECLX-80 W/1/2" PEX FIT LEAD FREE	4800-OTPV	\$477.00
34-BVECLX-100	3/4" BV, CXC W/EC100 LEAD FREE	4800-OTPV	\$477.00
34-BVECLX-100BF	3/4" BV, CXC W/EC100, BF LEAD FREE	4800-OTPV	\$477.00
34-BVECLX-100CF	3/4" BV, CXC W/EC100, CF LEAD FREE	4800-OTPV	\$477.00
34-BVECLX-100-PEX	3/4" BVECLX-100 W/1/2" PEX FIT LEAD FREE	4800-OTPV	\$477.00
34-BVECLX-125	3/4" BV CXC W/EC-125 LEAD FREE	4800-OTPV	\$477.00
34-BVECLX-125BF	3/4" BV CXC W/EC-125, BF LEAD FREE	4800-OTPV	\$444.00
34-BVECLX-125CF	3/4" BV, CXC W/EC125, CF LEAD FREE	4800-OTPV	\$444.00
34-BVECLX-125-PEX	3/4" BVECLX-125 W/1/2" PEX FIT LEAD FREE	4800-OTPV	\$477.00
34-BVECLX-80	3/4" BV, CXC W/EC-80 LEAD FREE	4800-OTPV	\$477.00
34-BVECLX-80BF	3/4" BV CXC W/EC-80, BF LEAD FREE	4800-OTPV	\$477.00
34-BVECLX-80CF	3/4" BV CXC W/EC 80, CF LEAD FREE	4800-OTPV	\$477.00
34-BVECLX-80-PEX	3/4" BVECLX-80 W/1/2" PEX FIT LEAD FREE	4800-OTPV	\$477.00
34-BVECLPEX-100-PEX	3/4" BVECLPEX-100 W/1/2" PEX LEAD FREE	4800-OTPV	\$477.00
34-BVECLPEX-125BF	3/4" BVECLPEX-125BF	4800-OTPV	\$444.00
34-BVECLPEX-125CF	3/4" BV PEX W/EC 125, CF LEAD FREE	4800-OTPV	\$477.00
34-BVECLPEX-125-PEX	3/4" BVECLPEX-125 W/1/2" PEX FIT LEAD FREE	4800-OTPV	\$444.00
34-BVECLPEX-80BF	3/4" BVECLPEX-80BF	4800-OTPV	\$477.00
34-BVECLPEX-80-PEX	3/4" BVECLPEX-80 W/1/2" PEX FIT LEAD FREE	4800-OTPV	\$477.00
RK112-BVHD	Ball Valve Handles with Nut, Qty 2/pak.	4800-PART	\$56.00
RK112-BVHDXL	RK 1 1/2" SS BV HANDLES 2PER GREEN LF	4800-PART	\$56.00
RK114-BVHD	Ball Valve Handles with Nut, Qty 2/pak.	4800-PART	\$48.00
RK114-BVHDXL	RK 1 1/4" SS BV HANDLES 2PER GREEN LF	4800-PART	\$48.00
RK1-BVHD	Ball Valve Handles with Nut, Qty 2/pak.	4800-PART	\$40.00
RK1-BVHDXL	RK 1" SS BV HANDLES 2PER GREEN LF	4800-PART	\$40.00
RK2-375BVHD	REPAIR KIT 2" 375/350 SS BV HANDLES 2PER BLUE	4800-PART	\$69.00
RK2-BVHD	Ball Valve Handles with Nut, Qty 2/pak.	4800-PART	\$81.00
RK34-375BVHD	REPAIR KIT 1 1/2" - 3/4" 375 SS BV HANDLES 2PER BLUE	4800-PART	\$53.00
RK34-BVHD	Ball Valve Handles with Nut, Qty 2/pak.	4800-PART	\$38.00
RK34-BVHDXL	RK 3/4" SS BV HANDLES 2PER GREEN LF	4800-PART	\$38.00
RK114-BVLK	Ball Valve Handle Lock, 1 1/4"	4800-PART	\$120.00
RK-BVTOOL	Ball Valve Handle Socket Tool, 3/4" - 1" and 1 1/4" - 2", Qty 2/pak.	4800-PART	\$126.00
RK-HEADER	GRAPHIC HEADER FOR RK PROGRAM PEGBOARD	4800-PART	\$369.00
RK-PEGBOARD	PEGBOARD FOR RK PROGRAM	4800-PART	\$971.00
RK-PEGHOOKS	PEGBOARD HOOKS FOR RK PROGRAM	4800-PART	\$19.00
RK-PEGHOOKS-20PK	PEGBOARD HOOKS FOR RK PROGRAM, 20 PACK	4800-PART	\$128.00
6-CPLPC	Wall Cleanout Plate, Primer Coated, 6" diameter	4800-OPRV	\$120.00
6-CPLSS	Wall Cleanout Plate, Stainless Steel, 6" diameter	4800-OPRV	\$131.00
12-DUBI	Dielectric Union, FNPT Black Iron Pipe x FNPT Brass Pipe	4800-ODDU	\$73.00
34-DUBI	Dielectric Union, FNPT Black Iron Pipe x FNPT Brass Pipe	4800-ODDU	\$76.00
112-DUXL	Dielectric Union, 1 1/2" FNPT x FNPT	4800-ODDU	\$332.00
114-DUXL	Dielectric Union, 1 1/4" FNPT x FNPT	4800-ODDU	\$231.00
12-DUXL	Dielectric Union, 1/2" FNPT x FNPT	4800-ODDU	\$98.00
1-DUXL	Dielectric Union, 1" FNPT x FNPT	4800-ODDU	\$189.00
2-DUXL	Dielectric Union, 2" FNPT x FNPT	4800-ODDU	\$634.00
34-DUXL	Dielectric Union, 3/4" FNPT x FNPT	4800-ODDU	\$109.00
112-DUXLC	Dielectric Union, 1 1/2" FNPT x 1 1/2" Female CU SWT	4800-ODDU	\$332.00
114-DUXLC	Dielectric Union, 1 1/4" FNPT x 1 1/4" Female CU SWT	4800-ODDU	\$231.00
12-DUXLC	Dielectric Union, 1/2" FNPT x 1/2" Female CU SWT	4800-ODDU	\$98.00
1-DUXLC	Dielectric Union, 1" FNPT x 1" Female CU SWT	4800-ODDU	\$189.00
212-DUXLC	Dielectric Union, 2 1/2" Flanged x 2 1/2" Female CU SWT	4800-ODDU	\$858.00
2-DUXLC	Dielectric Union, 2" FNPT x 2" Female CU SWT	4800-ODDU	\$634.00
34-DUXL12C	Dielectric Union, 3/4" FNPT x 1/2" Female CU SWT	4800-ODDU	\$109.00
34-DUXLC	Dielectric Union, 3/4" FNPT x 3/4" Female CU SWT	4800-ODDU	\$109.00
3-DUXLC	Dielectric Union, 3" Flanged x 3" Female CU SWT	4800-ODDU	\$1,003.00
12-DUXLM	Dielectric Union, 1/2" FNPT 1/2" Male CU SWT	4800-ODDU	\$98.00

34-DUXLM	Dielectric Union, 3/4" FNPT 3/4" Male CU SWT	4800-ODDU	\$109.00
34-DUXLM12C	Dielectric Union, 3/4" FNPT 1/2" Male CU SWT	4800-ODDU	\$109.00
112-F100	1-1/2" FNPT x NH Fire Hose Valve, Angle body, Brass	4800-00FV	\$260.00
112-F100F	1-1/2" FNPT x FNPT Fire Hose Valve, Angle body, Brass	4800-00FV	\$260.00
212-F100	2-1/2" FNPT x NH Fire Hose Valve, Angle body, Brass	4800-00FV	\$386.00
212-F100CH	2-1/2" FNPT x NH Fire Hose Valve, Angle body, Brass Chrm	4800-00FV	\$481.00
212-F100F	2-1/2" FNPT x FNPT Fire Hose Valve, Angle body, Brass	4800-00FV	\$386.00
212-F100GCH	2-1/2" GRV x NH Fire Hose Valve, Angle body, Brass Chrm	4800-00FV	\$481.00
212-F100GF	2-1/2" GRV x FNPT Fire Hose Valve, Angle body, Brass	4800-00FV	\$386.00
212-F100GST-BCT	2-1/2" GRV x BCT Thread Fire Hose Valve, Angle body, Brass, 3,000 X 8 British Co	4800-00FV	\$386.00
212-F100GSTCH	2-1/2" GRV x Special thread Fire Hose Valve, Angle body, Brass Chrm	4800-00FV	\$481.00
212-F100GST-CSA	2-1/2" GRV x CSA thread Fire Hose Valve, Angle body, Brass, 3,125 X 5 Ontario	4800-00FV	\$386.00
212-F100GST-NS1	2-1/2" GRV x NS1 thread Fire Hose Valve, Angle body, Brass, 3,230 X 5 Nova Scoti	4800-00FV	\$386.00
212-F100GST-OST	2-1/2" GRV x OST thread Fire Hose Valve, Angle body, Brass, 3,031 X 7 Quebec	4800-00FV	\$386.00
212-F100ST	2-1/2" NPT x Special thread Fire Hose Valve, Angle body, Brass	4800-00FV	\$386.00
212-F100ST-CFD	2-1/2" NPT x CFD thread Fire Hose Valv Ang bdy Brass 2,990 X 7.5 ChicagoFireDept	4800-00FV	\$386.00
212-F100STCH	2-1/2" NPT x Special thread Fire Hose Valve, Angle body, Brass Chrm	4800-00FV	\$481.00
212-F100ST	2-1/2" GRV x NH Fire Hose Valve, Angle body, Brass	4800-00FV	\$386.00
212-F100GST	2-1/2" GRV x Special thread Fire Hose Valve, Angle body, Brass	4800-00FV	\$386.00
112-F105	1-1/2" FNPT x NH Pressure Restricting Fire Hose Valve, Angle body, Brass	4800-00FV	\$340.00
112-F105F	1-1/2" FNPT x FNPT Pressure Restricting Fire Hose Valve, Angle body, Brass	4800-00FV	\$340.00
212-F105	2-1/2" FNPT x NH Pressure Restricting Fire Hose Valve, Angle body, Brass	4800-00FV	\$514.00
10-F210R	10" Fire Riser check, grooved, UL/ULC/FM, Tapped for gauge and drain, 300 psi	4800-00FV	\$3,308.00
12-F210R	12" Fire Riser check, grooved, UL/ULC/FM, Tapped for gauge and drain, 300 psi	4800-00FV	\$4,730.00
212-F210-350	2-1/2" Fire Clapper check, grooved, UL/ULC/FM, Horiz or Vert Up, 350 psi	4800-00FV	\$727.00
212-F210R	2-1/2" Fire Riser check, grooved, UL/ULC/FM, Tapped for gauge and drain, 300 psi	4800-00FV	\$501.00
2-F210-350	2" Fire Clapper check, grooved, UL/ULC/FM, Horiz or Vert Up, 350 psi	4800-00FV	\$714.00
2-F210R	2" Fire Riser chck, grvd, UL/ULC/FM, Tapped for gauge/ drain, 300 psi	4800-00FV	\$445.00
3-F210-350	3" Fire Clapper check, grooved, UL/ULC/FM, Horiz or Vert Up, 350 psi	4800-00FV	\$838.00
3-F210R	3" Fire Riser check, grooved, UL/ULC/FM, Tapped for gauge and drain, 300 psi	4800-00FV	\$590.00
4-F210-350	4" Fire Clapper check, grooved, UL/ULC/FM, Horiz or Vert Up, 350 psi	4800-00FV	\$1,016.00
4-F210R	4" Fire Riser check, grooved, UL/ULC/FM, Tapped for gauge and drain, 300 psi	4800-00FV	\$705.00
6-F210	6" Fire Clapper check, grooved, UL/ULC/FM, Horiz or Vert Up, 350 psi	4800-00FV	\$1,256.00
6-F210-350	6" Fire Clapper check, grooved, UL/ULC/FM, Horiz or Vert Up, 350 psi	4800-00FV	\$1,960.00
6-F210R	6" Fire Riser check, grooved, UL/ULC/FM, Tapped for gauge and drain, 300 psi	4800-00FV	\$1,955.00
8-F210-350	8" Fire Clapper check, grooved, UL/ULC/FM, Horiz or Vert Up, 350 psi	4800-00FV	\$2,869.00
8-F210R	8" Fire Riser check, grooved, UL/ULC/FM, Tapped for gauge and drain, 300 psi	4800-00FV	\$2,531.00
10-F480SYF	10" OS&Y Gate valve, UL/FM, flanged 150, ductile iron, no tapped bosses	4800-00GV	\$6,216.00
212-F480SYF	2-1/2" OS&Y Gate valve, UL/FM, flanged 150, ductile iron, no tapped bosses	4800-00GV	\$1,056.00
3-F480SYF	3" OS&Y Gate valve, UL/FM, flanged 150, ductile iron, no tapped bosses	4800-00GV	\$1,192.00
4-F480SYF	4" OS&Y Gate valve, UL/FM, flanged 150, ductile iron, no tapped bosses	4800-00GV	\$1,641.00
6-F480SYF	6" OS&Y Gate valve, UL/FM, flanged 150, ductile iron, no tapped bosses	4800-00GV	\$2,432.00
8-F480SYF	8" OS&Y Gate valve, UL/FM, flanged 150, ductile iron, no tapped bosses	4800-00GV	\$3,863.00
10-F49	10" Grooved Butterfly valve, UL/FM, ductile iron, w/ tamper switch, 300 psi	4800-00GV	\$3,018.00
112-F49BR	1-1/2" Fire Butterfly valve, brass, threaded, w/supervisory switch	4800-00FV	\$905.00
112-F49BRG	1-1/2" Fire Butterfly valve, brass, grooved, w/supervisory switch	4800-00FV	\$931.00
114-F49BR	1-1/4" Fire Butterfly valve, brass, threaded, w/supervisory switch	4800-00FV	\$854.00
114-F49BRG	1-1/4" Fire Butterfly valve, brass, grooved, w/supervisory switch	4800-00FV	\$882.00
12-F49	12" Grooved Butterfly valve, UL/FM, ductile iron, w/ tamper switch, 300 psi	4800-00FV	\$3,395.00
1-F49BR	1" Fire Butterfly valve, brass, threaded, w/supervisory switch	4800-00FV	\$798.00
212-F49	2-1/2" Grooved Butterfly valve, UL/FM, ductile iron, w/ tamper switch, 300 psi	4800-00GV	\$876.00
212-F49BR	2-1/2" Fire Butterfly valve, brass, threaded, w/supervisory switch	4800-00FV	\$1,403.00
212-F49BRG	2-1/2" Fire Butterfly valve, brass, grooved, w/supervisory switch	4800-00FV	\$1,266.00
2-F49BR	2" Fire Butterfly valve, brass, threaded, w/supervisory switch	4800-00FV	\$1,063.00
2-F49BRG	2" Fire Butterfly valve, brass, grooved, w/supervisory switch	4800-00FV	\$1,053.00

3-F49	3" Grooved Butterfly valve, UL/FM, ductile iron, w/ tamper switch, 300 psi	4800-00GV	\$889.00
4-F49	4" Grooved Butterfly valve, UL/FM, ductile iron, w/ tamper switch, 300 psi	4800-00GV	\$987.00
6-F49	6" Grooved Butterfly valve, UL/FM, ductile iron, w/ tamper switch, 300 psi	4800-00GV	\$1,394.00
8-F49	8" Grooved Butterfly valve, UL/FM, ductile iron, w/ tamper switch, 300 psi	4800-00GV	\$2,073.00
10-FCISAST	EST 10" SS 375 NRS GATE FLNGXFLNG ZW206 NORM OP	4800-0LBF	\$116,250.00
10-FCISOSY	Flanged OSY X Flanged OSY	4800-0LBF	\$118,444.00
112-FCIS	EST 1-1/2" LF BRONZE 975XL2 NPT ZW206 NORM OP	4800-0SBF	\$20,771.00
112-FCIS2SAG	FCIS 1-1/2" LF BRONZE 975XL2 NPT w/Strnr LF Brz Air Gap 2xZW206 Norm Op	4800-0SBF	\$30,468.00
112-FCISAG	FCIS 1-1/2" LF BRONZE 975XL2 NPT Air Gap ZW206 Norm Op	4800-0SBF	\$21,151.00
112-FCISAGCZ	FCIS 1-1/2" LF BRONZE 975XL2 NPT Air Gap ZW206 Pos Indctr Norm Op	4800-0SBF	\$29,875.00
112-FCISAGNC	FCIS 1-1/2" LF BRONZE 975XL2 NPT Air Gap ZW206 Norm Cl	4800-0SBF	\$27,519.00
112-FCISAGNCZ	FCIS 1-1/2" LF BRONZE 975XL2 NPT Air Gap ZW206 Pos Indctr Norm Cl	4800-0SBF	\$20,086.00
112-FCISAGZ	FCIS 1-1/2" LF BRONZE 975XL2 NPT Air Gap ZW206 Pos Indctr Norm Op	4800-0SBF	\$25,113.00
112-FCISNC	FCIS 1-1/2" LF BRONZE 975XL2 NPT ZW206 Norm Cl	4800-0SBF	\$20,771.00
112-FCISSAG	FCIS 1-1/2" LF BRONZE 975XL2 NPT w/Strnr LF Brz Air Gap ZW206 Norm Op	4800-0SBF	\$21,765.00
112-FCISSAGC	FCIS 1-1/2" LF BRONZE 975XL2 NPT w/Strnr LF Brz Air Gap ZW206 Norm Op	4800-0SBF	\$21,625.00
112-FCISSAGNCZ	FCIS 1-1/2" LF BRONZE 975XL2 NPT w/Strnr LF Brz Air Gap ZW206 Pos Indctr Norm Cl	4800-0SBF	\$21,962.00
112-FCISSAGZ	FCIS 1-1/2" LF BRONZE 975XL2 NPT w/Strnr LF Brz Air Gap ZW206 Pos Indctr Norm Op	4800-0SBF	\$25,603.00
112-FCISSNC	EST 1-1/2" LF BRONZE 975XL2 NPT w/Strnr LF Brz ZW206 Norm Cl	4800-0SBF	\$21,009.00
112-FCISTCUNC	EST 1-1/2" LF BRONZE 975XL2 Tstcks Up NPT ZW206 Norm Cl	4800-0SBF	\$27,460.00
112-FCISTCUSAG	FCIS 1-1/2" LF BRONZE 975XL2 Tstcks Up NPT w/Strnr LF Brz Air Gap ZW206 Norm Op	4800-0SBF	\$21,814.00
114-FCIS	EST 1-1/4" LF BRONZE 975XL2 NPT ZW206 NORM OP	4800-0SBF	\$20,307.00
114-FCISAGCNC	FCIS 1-1/4" LF BRONZE 975XL2 NPT Air Gap ZW206 Norm Cl	4800-0SBF	\$25,718.00
114-FCISAGNC	FCIS 1-1/4" LF BRONZE 975XL2 NPT Air Gap ZW206 Norm Cl	4800-0SBF	\$26,593.00
114-FCISSAG	FCIS 1-1/4" LF BRONZE 975XL2 NPT w/Strnr LF Brz Air Gap ZW206 Norm Op	4800-0SBF	\$21,037.00
114-FCISSAGNCZ	FCIS 1-1/4" LF BRONZE 975XL2 NPT w/Strnr LF Brz Air Gap ZW206 Pos Indctr Norm Cl	4800-0SBF	\$21,498.00
114-FCISSCC	EST 1-1/4" LF BRONZE 975XL2 NPT w/Strnr LF Brz ZW206 Norm Op	4800-0SBF	\$18,887.00
114-FCISSNC	FCIS 1-1/4" LF BRONZE 975XL2 NPT w/Strnr LF Brz ZW206 Norm Cl	4800-0SBF	\$19,575.00
114-FCISTCUAGNCZ	FCIS 1-1/4" LF BRONZE 975XL2 Tstcks Up NPT Air Gap ZW206 Pos Indctr Norm Clsng	4800-0LBF	\$22,311.00
114-FCISTCUAGRV	FCIS 1-1/4" LF BRONZE 975XL2 Tstcks Up NPT Air Gap ZW206 Norm Opng Rev Pilot	4800-0LBF	\$21,428.00
114-FCISTCUSAG	FCIS 1-1/4" LF BRONZE 975XL2 Tstcks Up NPT w/Strnr LF Brz Air Gap ZW206 Norm Op	4800-0SBF	\$20,681.00
114-FCISZ	FCIS 1-1/4" LF BRONZE 975XL2 NPT ZW206 Pos Indctr Norm Op	4800-0SBF	\$25,331.00
1-FCIS	FCIS 1-1/4" LF BRONZE 975XL2 NPT ZW206 Norm Op	4800-0SBF	\$19,159.00
212-FCIS	Flanged NRS X Flanged NRS	4800-0LBF	\$28,409.00
212-FCIS3FSC-AG	FCIS 2-1/2" DI Body 375 Epoxy Strnr Air Gap ZW206 Norm Op	4800-0LBF	\$59,027.00
212-FCISABFFSC	FCIS 2-1/2" DI Body 375 Bfly Flg x Bfly Flg x Flg Epoxy Strnr ZW206 Norm Op	4800-0LBF	\$37,972.00
212-FCIS-AG	FCIS 2-1/2" DI Body 375 Air Gap ZW206 Norm Op	4800-0LBF	\$28,924.00
212-FCISAO5YFSC-AG	FCIS 2-1/2" DI Body 375 OSY Gate Flg x Flg Epoxy Strnr Air Gap ZW206 Norm Op	4800-0LBF	\$31,222.00
212-FCISAO5YNCZ	FCIS 2-1/2" DI Body 375 OSY Gate Flg x Flg ZW206 Pos Indctr Norm Cl	4800-0LBF	\$32,149.00
212-FCISAST	EST 2-1/2" SS 375 NRS GATE FLNGXFLNG ZW206 NORM OP	4800-0LBF	\$28,409.00
212-FCISAST-AG	FCIS 2-1/2" SS 375 NRS GATE Flg x Flg Air Gap ZW206 Norm Op	4800-0LBF	\$28,924.00
212-FCISASTBF-AG	EST 2-1/2" SS 375 BFLY FXF AIR GAP ZW206 NORM OP	4800-0LBF	\$37,125.00
212-FCISASTBG AGNCZ	FCIS 2-1/2" SS 375 Bfly Grv X Grv Air Gap ZW206 Pos Indctr Norm Cl	4800-0LBF	\$33,954.00
212-FCISASTFG	FCIS 2-1/2" SS 375 Flg x Grv ZW206 Norm Op	4800-0LBF	\$28,409.00
212-FCISASTFGRV	FCIS 2-1/2" SS 375 Flg x Grv ZW206 Norm Op Rvrs Plt	4800-0LBF	\$32,956.00
212-FCISASTFSC	FCIS 2-1/2" SS 375 Epoxy Strnr ZW206 Norm Op	4800-0LBF	\$29,754.00
212-FCISASTFSC-AG	FCIS 2-1/2" SS 375 NRS GATE Flg x Flg Epoxy Strnr Air Gap ZW206 Norm Op	4800-0LBF	\$30,222.00
212-FCISASTNC	FCIS 2-1/2" SS 375 NRS GATE Flg x Flg ZW206 Norm Cl	4800-0LBF	\$32,533.00
212-FCISASTOSY	Stainless Steel Backflow, Flanged OSY X Flanged OSY	4800-0LBF	\$29,182.00
212-FCISASTOSY-AG	FCIS 2-1/2" SS 375 OSY GATE FLG x FLG AIR GAP ZW206 Norm Op	4800-0LBF	\$30,319.00
212-FCISASTOSY-AGZ	FCIS 2-1/2" SS 375 OSY GATE Flg x Flg Air Gap ZW206 Pos Indctr Norm Op	4800-0LBF	\$31,010.00
212-FCISASTOSYFGFSC	EST 2-1/2" SS 375 OSY GATE Flg x Grv Epoxy Strnr ZW206 Norm Op	4800-0LBF	\$30,708.00
212-FCISASTOSYFSC	FCIS 2-1/2" SS 375 OSY GATE Epoxy Strnr ZW206 Norm Op	4800-0LBF	\$27,914.00
212-FCISFSC	EST 2-1/2" DI Body 375 Epoxy Strnr ZW206 Norm Op	4800-0LBF	\$29,754.00
212-FCISFSC-AG	FCIS 2-1/2" DI Body 375 Epoxy Strnr Air Gap ZW206 Norm Op	4800-0LBF	\$29,102.00
212-FCISFSC AGNC	FCIS 2-1/2" DI Body 375 Epoxy Strnr Air Gap ZW206 Norm Cl	4800-0LBF	\$30,268.00
212-FCISOSY	Flanged OSY X Flanged OSY	4800-0LBF	\$29,358.00
212-FCISOSYFSC	FCIS 2-1/2" DI Body 375 OSY GATE Epoxy Strnr ZW206 Norm Op	4800-0LBF	\$30,708.00
212-FCISOSYFSC-AGNCZ	FCIS 2-1/2" DI Body 375 OSY GATE Epoxy Strnr Air Gap ZW206 Pos Indctr Norm Cl	4800-0LBF	\$35,279.00
2-FCIS	EST 2" LF BRONZE 975XL2 NPT ZW206 NORM OP	4800-0SBF	\$21,857.00
2-FCISAG	FCIS 2" LF BRONZE 975XL2 NPT Air Gap ZW206 Norm Op	4800-0SBF	\$22,237.00
2-FCISAGNC	FCIS 2" LF BRONZE 975XL2 NPT Air Gap ZW206 Norm Cl	4800-0SBF	\$25,352.00
2-FCISAGNCZ	FCIS 2" LF BRONZE 975XL2 NPT Air Gap ZW206 Pos Indctr Norm Cl	4800-0SBF	\$21,091.00

2-FCISAGZ	FCIS 2" LF BRONZE 975XL2 NPT Air Gap ZW206 Pos Indctr Norm Op	4800-0SBF	\$29,405.00
2-FCISCCNCZ	FCIS 2" LF BRONZE 975XL2 NPT ZW206 Pos Indctr Norm Cl	4800-0SBF	\$32,965.00
2-FCISNC	FCIS 2" LF BRONZE 975XL2 NPT ZW206 Norm Cl	4800-0SBF	\$25,007.00
2-FCISS	CONNECTED 2" LF BRONZE 975XL2 NPT w/Strnr LF Brz ZW206 Norm Op	4800-0SBF	\$21,857.00
2-FCISSAG	FCIS 2" LF BRONZE 975XL2 NPT w/Strnr LF Brz Air Gap ZW206 Norm Op	4800-0SBF	\$22,947.00
2-FCISSAGCC	FCIS 2" LF BRONZE 975XL2 NPT w/Strnr LF Brz Air Gap ZW206 Norm Op	4800-0SBF	\$21,251.00
2-FCISSAGCNC	FCIS 2" LF BRONZE 975XL2 NPT w/Strnr LF Brz Air Gap ZW206 Norm Cl w/check	4800-0SBF	\$22,338.00
2-FCISSAGNC	FCIS 2" LF BRONZE 975XL2 NPT w/Strnr LF Brz Air Gap ZW206 Norm Cl	4800-0SBF	\$25,862.00
2-FCISSAGNCZ	FCIS 2" LF BRONZE 975XL2 NPT w/Strnr LF Brz Air Gap ZW206 Pos Indctr Norm Cl	4800-0SBF	\$23,060.00
2-FCISSAGZ	EST 2" LF BRONZE 975XL2 NPT w/Strnr LF Brz Air Gap ZW206 Norm Op w/Post Ind.	4800-0SBF	\$32,466.00
2-FCISTCU	FCIS 2" LF BRONZE 975XL2 Tstcks Up NPT ZW206 Norm Op	4800-0SBF	\$22,191.00
2-FCISTCUAGNCZ	FCIS 2" LF BRONZE 975XL2 Tstcks Up NPT Air Gap ZW206 Pos Indctr Norm Cl	4800-0SBF	\$22,271.00
2-FCISTCUNCZ	FCIS 2" LF BRONZE 975XL2 Tstcks Up NPT ZW206 Pos Indctr Norm Cl	4800-0SBF	\$20,924.00
2-FCISTCUSAG	FCIS 2" LF BRONZE 975XL2 Tstcks Up NPT w/Strnr LF Brz Air Gap ZW206 Norm Op	4800-0SBF	\$22,235.00
2-FCISTCUSAGC	FCIS 2" LF BRONZE 975XL2 Tstcks Up NPT w/Strnr LF Brz Air Gap ZW206 Norm Op	4800-0SBF	\$21,069.00
2-FCISTCUSAGCNCZ	FCIS 2" LF BRONZE 975XL2 Tstcks Up NPT w/Strnr LF Brz Air Gap ZW206 Pos Indctr Norm Cl	4800-0SBF	\$24,112.00
2-FCISTCUZ	FCIS 2" LF BRONZE 975XL2 Tstcks Up NPT ZW206 Pos Indctr Norm Op	4800-0SBF	\$22,835.00
3-FCIS	Flanged NRS X Flanged NRS	4800-0LBF	\$28,674.00
3-FCISA-AG	FCIS 3" DI Body 375 NRS GATE Flg x Flg Air Gap ZW206 Norm Op	4800-0LBF	\$29,193.00
3-FCISABF-AG	FCIS 3" DI Body 375 Bfly Flg x Flg Air Gap ZW206 Norm Op	4800-0LBF	\$39,399.00
3-FCISABG	FCIS 3" DI Body 375 Bfly Grv x Grv ZW206 Norm Op	4800-0LBF	\$37,227.00
3-FCISABGF	FCIS 3" DI Body 375 Bfly Grv x Flg ZW206 Norm Op	4800-0LBF	\$37,227.00
3-FCIS AG	FCIS 3" DI Body 375 Air Gap ZW206 Norm Op	4800-0LBF	\$29,193.00
3-FCIS AGNC	FCIS 3" DI Body 375 Air Gap ZW206 Norm Cl	4800-0LBF	\$29,193.00
3-FCIS AGZ	FCIS 3" DI Body 375 NRS GATE Flg x Flg Air Gap ZW206 Pos Indctr Norm Op	4800-0LBF	\$30,324.00
3-FCISAO5YFGNCRV	FCIS 3" DI Body 375 OSY GATE Flg x Grv ZW206 Norm Cl Rvrs Plt	4800-0LBF	\$44,955.00
3-FCISAST	EST 3" SS 375 NRS GATE FLNGXFLNG ZW206 NORM OP	4800-0LBF	\$28,674.00
3-FCISAST-AG	FCIS 3" SS 375 Air Gap ZW206 Norm Op	4800-0LBF	\$29,193.00
3-FCISAST-AGZ	FCIS 3" SS 375 Air Gap ZW206 Pos Indctr Norm Op	4800-0LBF	\$50,131.00
3-FCISASTBF	FCIS 3" SS 375 NRS GATE Bfly Flg x Flg ZW206 Norm Op	4800-0LBF	\$28,413.00
3-FCISASTBG	FCIS 3" SS 375 NRS GATE Bfly Grv x Grv ZW206 Norm Op	4800-0LBF	\$35,106.00
3-FCISASTBG-AGNCZ	FCIS 3" SS 375 NRS GATE Bfly Grv x Grv Air Gap ZW206 Pos Indctr Norm Cl	4800-0LBF	\$34,551.00
3-FCISASTBGFSC-AG	EST 3" SS 375 NRS GATE Flg x Grv Epoxy Strnr Air Gap ZW206 Norm Op	4800-0LBF	\$30,830.00
3-FCISASTFSC-AG	FCIS 3" SS 375 NRS GATE Flg x Flg Epoxy Strnr Air Gap ZW206 Norm Op	4800-0LBF	\$30,830.00
3-FCISASTFSC-AGNC	FCIS 3" SS 375 NRS GATE Flg x Flg Epoxy Strnr Air Gap ZW206 Norm Cl	4800-0LBF	\$35,274.00
3-FCISASTNC	FCIS 3" SS 375 NRS GATE Flg x Flg ZW206 Norm Cl	4800-0LBF	\$65,898.00
3-FCISASTOSY	Stainless Steel Backflow, Flanged OSY X Flanged OSY	4800-0LBF	\$29,703.00
3-FCISASTOSY-AG	FCIS 3" SS 375 OSY GATE Flg x Flg Air Gap ZW206 Norm Op	4800-0LBF	\$30,216.00
3-FCISASTOSY-AGNC	FCIS 3" SS 375 NRS GATE OSY GATE Air Gap ZW206 Norm Cl	4800-0LBF	\$35,795.00
3-FCISASTOSY-AGNCZ	FCIS 3" SS 375 NRS GATE OSY GATE Air Gap ZW206 Pos Indctr Norm Cl	4800-0LBF	\$36,686.00
3-FCISASTOSY-AGZ	EST 3" SS 375 OSY GATE Flg x Flg Air Gap ZW206 Pos Indctr Norm Op	4800-0LBF	\$31,378.00
3-FCISASTOSYFSC	FCIS 3" SS 375 OSY GATE Epoxy Strnr ZW206 Norm Op	4800-0LBF	\$31,341.00
3-FCISASTOSYFSC AG	FCIS 3" SS 375 OSY GATE Epoxy Strnr Air Gap ZW206 Norm Op	4800-0LBF	\$31,855.00
3-FCISASTOSYFSCNC	FCIS 3" SS 375 OSY GATE Epoxy Strnr ZW206 Norm Cl	4800-0LBF	\$47,409.00
3-FCISFSC-AG	FCIS 3" DI Body 375 NRS GATE Flg x Flg Epoxy Strnr Air Gap ZW206 Norm Op	4800-0LBF	\$30,830.00
3-FCISFSC-AGNC	FCIS 3" DI Body 375 NRS GATE Flg x Flg Epoxy Strnr Air Gap ZW206 Norm Cl	4800-0LBF	\$30,825.00
3-FCISFSC-AGZ	FCIS 3" DI Body 375 NRS GATE Flg x Flg Epoxy Strnr Air Gap ZW206 Pos Indctr Norm Op	4800-0LBF	\$51,765.00
3-FCISFSCCNCZ	FCIS 3" DI Body 375 NRS GATE Flg x Flg Epoxy Strnr ZW206 Pos Indctr Norm Cl	4800-0LBF	\$72,127.00
3-FCISNC	FCIS 3" DI Body 375 NRS GATE Flg x Flg ZW206 Norm Cl	4800-0LBF	\$33,172.00
3-FCISOSY	Flanged OSY X Flanged OSY	4800-0LBF	\$29,703.00
3-FCISOSY-AG	EST 3" DI Body 375 OSY GATE Flg x Flg Air Gap ZW206 Norm Op	4800-0LBF	\$30,216.00
3-FCISOSY-AGNCRV	FCIS 3" DI Body 375 OSY GATE Flg x Flg Air Gap ZW206 Norm Cl Rvrs Plt	4800-0LBF	\$30,216.00
3-FCISOSY-AGNCZ	FCIS 3" DI Body 375 OSY GATE Flg x Flg Air Gap ZW206 Pos Indctr Norm Cl	4800-0LBF	\$34,608.00
3-FCISOSY-AGZ	EST 3" DI Body 375 OSY GATE Flg x Flg Air Gap ZW206 Pos Indctr Norm Op	4800-0LBF	\$52,977.00
3-FCISOSYFSC-AG	EST 3" DI Body 375 OSY GATE Flg x Flg Epoxy Strnr Air Gap ZW206 Norm Op	4800-0LBF	\$31,855.00
3-FCISOSYNC	FCIS 3" DI Body 375 OSY GATE Flg x Flg ZW206 Norm Cl	4800-0LBF	\$35,156.00
3-FCISOSYNCRV	FCIS 3" DI Body 375 OSY GATE Flg x Flg ZW206 Norm Cl Rvrs Plt	4800-0LBF	\$36,560.00
3-FL-EPOXY	FLG SPACER 3" X 1/2" - 3 1/2" EPOXY COATED	4800-0LBF	\$4,375.00
4-FCIS	Flanged NRS X Flanged NRS	4800-0LBF	\$33,070.00
4-FCIS2ABFFSC-NC	FCIS 4" DI Body 375 Bfly Flg x Flg Epoxy Strnr ZW206 Norm Cl	4800-0LBF	\$73,912.00
4-FCIS2ASTOSY-AG	FCIS 4" SS 375 OSY GATE Flg x Flg Air Gap ZW206 NormOpn	4800-0LBF	\$47,128.00
4-FCIS2AST-RV	FCIS 4" SS Body 375 NRS GATE Flg x Flg ZW206 Norm Cl Rev Pilotry	4800-0LBF	\$48,677.00
4-FCIS2FSC AGNC	FCIS 4" DI Body 375 NRS GATE Flg x Flg Epoxy Strnr Air Gap ZW206 Norm Cl	4800-0LBF	\$70,181.00
4-FCIS3AST	FCIS 4" SS 375 NRS GATE Flg x Flg ZW206 Norm Op	4800-0LBF	\$62,517.00

4-FCISASTOSY	FCIS 4" SS 375 OSY Gate Flg x Flg ZW206 Norm Op	4800-OLBF	\$62,517.00
4-FCISABG	FCIS 4" DI Body 375 Bfly Grv X Grv ZW206 Norm Op	4800-OLBF	\$63,921.00
4-FCISAFSC-AG	FCIS 4" DI Body 375 Flg x Flg Epoxy Strnr Air Gap ZW206 Norm Op	4800-OLBF	\$36,251.00
4-FCISAFSC-AGNC	FCIS 4" DI Body 375 NRS Gate Flg x Flg Epoxy Strnr Air Gap ZW206 Norm Cl	4800-OLBF	\$31,526.00
4-FCIS-AG	FCIS 4" DI Body 375 NRS Gate Flg x Flg Air Gap ZW206 Norm Op	4800-OLBF	\$33,584.00
4-FCIS-AGNC	FCIS 4" DI Body 375 NRS Gate Flg x Flg Air Gap ZW206 Norm Cl	4800-OLBF	\$41,563.00
4-FCISAGZ	FCIS 4" DI Body 375 Grv X Grv ZW206 Pos Indctr Norm Op	4800-OLBF	\$34,624.00
4-FCIS-AGZ	FCIS 4" DI Body 375 Flg x Flg Air Gap ZW206 Pos Indctr Norm Op	4800-OLBF	\$34,624.00
4-FCISAOSY	FCIS 4" DI Body 375 OSY Gate Flg x Flg ZW206 Norm Op	4800-OLBF	\$36,108.00
4-FCISAOSY-AG	EST 4" DI Body 375 OSY Gate Air Gap ZW206	4800-OLBF	\$42,555.00
4-FCISAOSYZ	FCIS 4" DI Body 375 OSY Gate Flg x Flg ZW206 Pos Indctr Norm Op	4800-OLBF	\$40,438.00
4-FCISAST	EST 4" SS 375 NRS GATE FLNGXFLNG ZW206 NORM OP	4800-OLBF	\$33,070.00
4-FCISAST-AG	FCIS 4" SS 375 NRS Gate Flg x Flg Air Gap ZW206 Norm Op	4800-OLBF	\$33,584.00
4-FCISAST-AGZSP	FCIS 4" SS 375 NRS Gate Flg x Flg Air Gap ZW206 Pos Indctr SS pilot Norm Op	4800-OLBF	\$40,616.00
4-FCISASTBF	FCIS 4" SS 375 Bfly Flg x Flg ZW206 Norm Op	4800-OLBF	\$34,548.00
4-FCISASTBG	FCIS 4" SS 375 NRS Gate Bfly Grv X Grv ZW206 Norm Op	4800-OLBF	\$41,067.00
4-FCISASTFG	FCIS 4" SS 375 NRS Gate Flg x Grv ZW206 Norm Op	4800-OLBF	\$41,067.00
4-FCISASTFGFSC-AG	FCIS 4" SS 375 NRS Gate Flg x Grv Epoxy Strnr Air Gap ZW206 Norm Op	4800-OLBF	\$44,013.00
4-FCISASTFSC	FCIS 4" SS 375 NRS Gate Flg x Flg Epoxy Strnr ZW206 Norm Op	4800-OLBF	\$35,741.00
4-FCISASTFSC-AG	EST 4" SS 375 Flg x Flg Epoxy Strnr Air Gap ZW206 Norm Op	4800-OLBF	\$36,251.00
4-FCISASTFSC-AGNC	EST 4" SS 375 Flg x Flg Epoxy Strnr Air Gap ZW206 Norm Cl	4800-OLBF	\$44,013.00
4-FCISASTFSC AGNCZ	FCIS 4" SS 375 NRS Gate Flg x Flg Epoxy Strnr Air Gap ZW206 Pos Indctr Norm Cl	4800-OLBF	\$41,033.00
4-FCISASTFSC AGZ	FCIS 4" SS 375 NRS Gate Flg x Flg Epoxy Strnr Air Gap ZW206 Pos Indctr Norm Op	4800-OLBF	\$42,439.00
4-FCISASTG-AGZ	FCIS 4" SS 375 NRS Gate Grv X Grv Air Gap ZW206 Pos Indctr Norm Op	4800-OLBF	\$39,760.00
4-FCISASTGF-AG	FCIS 4" SS 375 NRS Gate GRV x FLG Air Gap ZW206 Norm Op	4800-OLBF	\$33,583.00
4-FCISASTNC	FCIS 4" SS 375 NRS Gate Flg x Flg ZW206 Norm Cl	4800-OLBF	\$37,362.00
4-FCISASTOSY	Stainless Steel Backflow, Flanged OSY X Flanged OSY	4800-OLBF	\$36,111.00
4-FCISASTOSY-AG	FCIS 4" SS 375 OSY Gate Flg x Flg Air Gap ZW206 Norm Op	4800-OLBF	\$36,620.00
4-FCISASTOSY-AGNC	FCIS 4" SS 375 OSY Gate Flg x Flg Air Gap ZW206 Norm Cl	4800-OLBF	\$36,620.00
4-FCISASTOSY-AGNCZ	FCIS 4" SS 375 OSY Gate Flg x Flg Air Gap ZW206 Pos Indctr Norm Cl	4800-OLBF	\$43,436.00
4-FCISASTOSY-AGRV	FCIS 4" SS 375 OSY Gate Flg x Flg Air Gap ZW206 Norm Op Rvrs Plt	4800-OLBF	\$36,627.00
4-FCISASTOSY-AGZ	EST 4" SS 375 OSY Gate Flg x Flg w/ Air Gap ZW206 Norm Op w/ Pos. Ind.	4800-OLBF	\$37,659.00
4-FCISASTOSYFGFSC-AGZ	FCIS 4" SS 375 OSY Gate FLG x GRV Epoxy Strnr Air Gap ZW206 Pos Indctr Norm Op	4800-OLBF	\$49,031.00
4-FCISASTOSYFSC-AG	FCIS 4" SS 375 OSY Gate Flg x Flg Epoxy Strnr Air Gap ZW206 Norm Op	4800-OLBF	\$45,183.00
4-FCISASTOSYFSC-AGNC	FCIS 4" SS 375 OSY Gate Flg x Flg Epoxy Strnr Air Gap ZW206 Norm Cl	4800-OLBF	\$41,300.00
4-FCISASTOSYFSCNC	FCIS 4" SS 375 OSY Gate Flg x Flg Epoxy Strnr ZW206 Norm Cl	4800-OLBF	\$40,853.00
4-FCISASTOSYFSCZ	FCIS 4" SS 375 OSY Gate Flg x Flg Epoxy Strnr ZW206 Pos Indctr Norm Op	4800-OLBF	\$44,723.00
4-FCISASTOSYG	FCIS 4" SS 375 OSY Gate Flg x Flg Grv X Grv ZW206 Norm Op	4800-OLBF	\$60,652.00
4-FCISASTOSYG-AG	FCIS 4" SS 375 OSY Gate Grv X Grv Air Gap ZW206 Norm Op	4800-OLBF	\$42,555.00
4-FCISASTOSYNC	FCIS 4" SS 375 OSY Gate FLG x FLG ZW206 Norm Cl	4800-OLBF	\$38,184.00
4-FCISASTOSYZ	FCIS 4" SS 375 OSY Gate Flg x Flg ZW206 Pos Indctr Norm Op	4800-OLBF	\$49,452.00
4-FCISASTZ	EST 4" SS 375 NRS Gate Flg x Flg ZW206 Pos Indctr Norm Op	4800-OLBF	\$40,890.00
4-FCISFSC	FCIS 4" DI Body 375 Flg x Flg Epoxy Strnr ZW206 Norm Op	4800-OLBF	\$35,735.00
4-FCISFSC-AG	FCIS 4" DI Body 375 Flg x Flg Epoxy Strnr Air Gap ZW206 Norm Op	4800-OLBF	\$36,251.00
4-FCISGFSCNC	FCIS 4" DI Body 375 Grv X Grv Epoxy Strnr ZW206 Norm Cl	4800-OLBF	\$35,735.00
4-FCISNC	FCIS 4" DI Body 375 Flg x Flg ZW206 Norm Cl	4800-OLBF	\$39,700.00
4-FCISOSY	Flanged OSY X Flanged OSY	4800-OLBF	\$36,111.00
4-FCISOSY-AG	FCIS 4" DI Body 375 OSY Gate Air Gap ZW206 Norm Op	4800-OLBF	\$42,551.00
4-FCISOSY-AGNC	FCIS 4" DI Body 375 OSY Gate Flg x Flg Air Gap ZW206 Norm Cl	4800-OLBF	\$42,551.00
4-FCISOSY-AGNCRV	FCIS 4" DI Body 375 OSY Gate Flg x Flg Air Gap ZW206 Norm Cl Rvrs Plt	4800-OLBF	\$42,551.00
4-FCISOSY-AGNCZ	EST 4" DI Body 375 OSY Gate Flg x Flg Air Gap ZW206 Pos Indctr Norm Cl	4800-OLBF	\$41,346.00
4-FCISOSY-AGRV	FCIS 4" DI Body 375 OSY Gate Air Gap ZW206 Norm Op Rvrs Plt	4800-OLBF	\$33,592.00
4-FCISOSY-AGZ	FCIS 4" DI Body 375 OSY Gate Air Gap ZW206 Pos Indctr Norm Op	4800-OLBF	\$39,774.00
4-FCISOSYFSC-AG	FCIS 4" DI Body 375 OSY Gate Flg x Flg Epoxy Strnr Air Gap ZW206 Norm Op	4800-OLBF	\$39,287.00
4-FCISOSYFSCNC	EST 4" DI Body 375 OSY Gate Flg x Flg Epoxy Strnr ZW206 Norm Cl	4800-OLBF	\$44,910.00
4-FCISOSYNC	EST 4" DI Body 375 OSY Gate Flg x Flg ZW206 Norm Cl	4800-OLBF	\$41,475.00
4-FCISZ	EST 4" DI Body 375 NRS Gate ZW206 Pos Indctr Norm Op	4800-OLBF	\$49,243.00
4-FL-EPOXY	FLG SPACER 4" X 1/2" - 4" EPOXY (COATED)	4800-OLBF	\$4,872.00
6-FCISAST	FCIS 6" SS 375 NRS Gate Flg x Flg ZW206 Norm Op	4800-OLBF	\$99,753.00
6-FCISABF-AG	FCIS 6" DI Body 375 Bfly Flg x Flg Air Gap ZW206 Norm Op	4800-OLBF	\$62,219.00
6-FCISAFSC-AG	FCIS 6" DI Body 375 NRS Gate Flg x Flg Epoxy Strnr Air Gap ZW206 Norm Op	4800-OLBF	\$57,623.00
6-FCIS-AG	EST 6" DI Body 375 Flg x Flg Air Gap ZW206 Norm Op	4800-OLBF	\$52,260.00
6-FCIS-AGNCZ	EST 6" DI Body 375 Air Gap ZW206 Pos Indctr Norm Cl	4800-OLBF	\$86,914.00
6-FCISAOSY	FCIS 6" DI Body 375 OSY Gate Flg x Flg ZW206 Norm Op	4800-OLBF	\$52,828.00
6-FCISAOSYZ	FCIS 6" DI Body 375 OSY Gate ZW206 Pos Indctr Norm Op	4800-OLBF	\$60,228.00
6-FCISAST	EST 6" SS 375 NRS GATE FLNGXFLNG ZW206 NORM OP	4800-OLBF	\$51,749.00
6-FCISAST-AG	FCIS 6" SS 375 NRS Gate Flg x Flg Air Gap ZW206 Norm Op	4800-OLBF	\$52,266.00
6-FCISASTBFGFSC-AGOZ	FCIS 6" SS 375 Bfly Flg x Grv Epoxy Strnr Air Gap ZW206 Pos Indctr Norm Op	4800-OLBF	\$95,961.00

6-FCISASTBG	FCIS 6" SS 375 Bfly Grv X Grv ZW206 Norm Op	4800-OLBF	\$54,205.00
6-FCISASTFGFSC-AGZ	FCIS 6" SS 375 Flg x Grv Epoxy Strnr Air Gap ZW206 Pos Indctr Norm Op	4800-OLBF	\$62,606.00
6-FCISASTFGRV	FCIS 6" SS 375 Flg x Grv ZW206 Norm Op Rvrs Plt	4800-OLBF	\$56,498.00
6-FCISASTFSC	FCIS 6" SS 375 NRS Gate Flg x Flg Epoxy Strnr ZW206 Norm Op	4800-OLBF	\$63,103.00
6-FCISASTFSC-AG	FCIS 6" SS 375 Flg x Flg Epoxy Strnr Air Gap ZW206 Norm Op	4800-OLBF	\$62,601.00
6-FCISASTFSC-AGNC	FCIS 6" SS 375 Flg x Flg Epoxy Strnr Air Gap ZW206 Norm Cl	4800-OLBF	\$61,223.00
6-FCISASTNC	FCIS 6" SS 375 NRS Gate Flg x Flg ZW206 Norm Cl	4800-OLBF	\$55,477.00
6-FCISASTOSY	Stainless Steel Backflow, Flanged OSY X Flanged OSY	4800-OLBF	\$52,828.00
6-FCISASTOSY-AG	FCIS 6" SS 375 OSY Gate Flg x Flg Air Gap ZW206 Norm Op	4800-OLBF	\$56,538.00
6-FCISASTOSY-AGZ	EST 6" SS 375 OSY Gate Flg x Flg Air Gap ZW206 Norm Op Pos. Ind.	4800-OLBF	\$54,382.00
6-FCISASTOSYFGFSC-AGZ	FCIS 6" SS 375 OSY Gate FLG x GRV Epoxy Strnr Air Gap ZW206 Pos Indctr Norm Op	4800-OLBF	\$65,327.00
6-FCISASTOSYFSC	FCIS 6" SS 375 OSY Gate Flg x Flg Epoxy Strnr ZW206 Norm Op	4800-OLBF	\$57,109.00
6-FCISASTOSYFSC AG	FCIS 6" SS 375 OSY Gate Flg x Flg Epoxy Strnr Air Gap ZW206 Norm Op	4800-OLBF	\$61,330.00
6-FCISASTOSYFSC AGNC	EST 6" SS 375 OSY Gate Flg x Flg Epoxy Strnr Air Gap ZW206 Norm Cl	4800-OLBF	\$63,909.00
6-FCISASTOSYNC	EST 6" SS 375 OSY Gate Flg x Flg ZW206 Norm Cl	4800-OLBF	\$55,484.00
6-FCISAZ	FCIS 6" DI Body 375 Flg x Flg ZW206 Pos Indctr Norm Op	4800-OLBF	\$57,585.00
6-FCISBF-AG	FCIS 6" DI Body 375 Bfly Flg x Flg Air Gap ZW206 Norm Op	4800-OLBF	\$52,257.00
6-FCISBF-AGRV	FCIS 6" DI Body 375 Bfly Flg x Flg Air Gap ZW206 Norm Op Rev Pilot	4800-OLBF	\$52,257.00
6-FCISFSC-AG	FCIS 6" DI Body 375 Flg x Flg Epoxy Strnr Air Gap ZW206 Norm Op	4800-OLBF	\$56,538.00
6-FCISFSC-AGNC	FCIS 6" DI Body 375 Flg x Flg Epoxy Strnr Air Gap ZW206 Norm Cl	4800-OLBF	\$56,538.00
6-FCISFSCZ	FCIS 6" DI Body 375 Epoxy Strnr ZW206 Pos Indctr	4800-OLBF	\$62,114.00
6-FCISOSY	Flanged OSY X Flanged OSY	4800-OLBF	\$52,828.00
6-FCISOSY-AG	FCIS 6" DI Body 375 OSY Gate Flg x Flg Air Gap ZW206 Norm Op	4800-OLBF	\$53,340.00
6-FCISOSYFSC-AG	FCIS 6" DI Body 375 OSY Gate Flg x Flg Epoxy Strnr Air Gap ZW206 Norm Op	4800-OLBF	\$60,934.00
6-FCISOSYFSCNC	FCIS 6" DI Body 375 OSY Gate Flg x Flg Epoxy Strnr ZW206 Norm Cl	4800-OLBF	\$57,656.00
6-FCISOSYFSCNCRV	FCIS 6" DI Body 375 OSY Gate Flg x Flg Epoxy Strnr ZW206RV Norm Cl	4800-OLBF	\$63,723.00
6-FCISOSYNC	FCIS 6" DI Body 375 OSY Gate Flg x Flg ZW206 Norm Clsng	4800-OLBF	\$55,696.00
6-FL-EPOXY	FLG SPACER 6" X 1/2" - 4" EPOXY COATED	4800-OLBF	\$5,820.00
8-FCISAST	EST 8" SS 375 NRS GATE FLNGXFLNG ZW206 NORM OP	4800-OLBF	\$82,851.00
8-FCISASTBFFSC-AG	FCIS 8" SS 375 NRS Bfly Flg x FLG Epoxy Strnr Air Gap ZW206 Norm Op	4800-OLBF	\$98,140.00
8-FCISASTBFGFSC-AG	FCIS 8" SS 375 NRS Bfly Flg x Grv Epoxy Strnr Air Gap ZW206 Norm Op	4800-OLBF	\$96,609.00
8-FCISASTFGFSC-AG	FCIS 8" SS 375 NRS Gate Flg x Grv Epoxy Strnr Air Gap ZW206 Norm Op	4800-OLBF	\$92,176.00
8-FCISASTFSC-AG	FCIS 8" SS 375 NRS Gate Flg x Flg Epoxy Strnr Air Gap ZW206 Norm Op	4800-OLBF	\$92,192.00
8-FCISASTFSCZ	FCIS 8" SS 375 NRS Gate Flg x Flg Epoxy Strnr ZW206 Pos Indctr Norm Op	4800-OLBF	\$96,220.00
8-FCISASTOSY	Stainless Steel Backflow, Flanged OSY X Flanged OSY	4800-OLBF	\$87,756.00
8-FCISASTOSY-AG	FCIS 8" SS 375 OSY Gate FLG x FLG Air Gap ZW206 Norm Op	4800-OLBF	\$88,603.00
8-FCISASTOSYFSC AG	FCIS 8" SS 375 OSY Gate Flg x Flg Epoxy Strnr Air Gap ZW206 Norm Op	4800-OLBF	\$94,373.00
RK8-10-FCIS	Repair Kit, Connected FCIS, 8"-10"	4800-PART	\$4,212.00
10-FP23R	10" Grooved coupling, rigid, UL/FM, 300 psi	4800-OGFC	\$235.00
10-FP23RA	10" Grooved coupling, rigid, angle pad, UL/FM, 300 psi	4800-OGFC	\$235.00
10-FP23RA-GALV	10" Grooved coupling, rigid, angle pad, Galvanized, UL/FM, 300 psi	4800-OGFC	\$362.00
112-FP23E21	1-1/2" Grooved Coupling, Rigid, One Bolt Easy Install, UL/FM, 300 psi	4800-OGFC	\$26.00
112-FP23E21-GALV	1-1/2" Grooved Coupling, Rigid, One Bolt Easy Install, Galv, UL/FM, 300 psi	4800-OGFC	\$25.00
112-FP23F	1-1/2" Grooved coupling, flexible, UL/FM, 300 psi	4800-OGFC	\$23.00
112-FP23F-GALV	1-1/2" Grooved coupling, flexible, galvanized, UL/FM, 300 psi	4800-OGFC	\$33.00
112-FP23R	1-1/2" Grooved coupling, rigid, UL/FM, 300 psi	4800-OGFC	\$23.00
112-FP23RA	1-1/2" Grooved coupling, rigid, angle pad, UL/FM, 300 psi	4800-OGFC	\$23.00
112-FP23RA-GALV	1-1/2" Grooved coupling, rigid, angle pad, Galvanized, UL/FM, 300 psi	4800-OGFC	\$35.00
112X114-FP23	1-1/2" by 1-1/4" Grooved Reducing coupling, UL/FM, 300 psi	4800-OGFC	\$40.00
112X114-FP23-GALV	1-1/2" by 1-1/4" Grooved Reducing coupling, galvanized, UL/FM, 300 psi	4800-OGFC	\$59.00
112X114-FP51	1-1/2" by 1-1/4" Grooved x Grooved Concentric Reducer, UL/FM, 232 psi	4800-OGFC	\$26.00
114-FP23E21	1-1/4" Grooved Coupling, Rigid, One Bolt Easy Install, UL/FM, 300 psi	4800-OGFC	\$26.00
114-FP23E21-GALV	1-1/4" Grooved Coupling, Rigid, One Bolt Easy Install, Galv, UL/FM, 300 psi	4800-OGFC	\$25.00
114-FP23F	1-1/4" Grooved coupling, flexible, UL/FM, 300 psi	4800-OGFC	\$23.00
114-FP23F-GALV	1-1/4" Grooved coupling, flexible, galvanized, UL/FM, 300 psi	4800-OGFC	\$33.00
114-FP23RA	1-1/4" Grooved coupling, rigid, angle pad, UL/FM, 300 psi	4800-OGFC	\$23.00
114-FP23RA-GALV	1-1/4" Grooved coupling, rigid, angle pad, Galvanized, UL/FM, 300 psi	4800-OGFC	\$35.00
12-FP23RA	12" Grooved coupling, rigid, angle pad, UL/FM, 300 psi	4800-OGFC	\$335.00
12-FP23RA-GALV	12" Grooved coupling, rigid, angle pad, Galvanized, UL/FM, 300 psi	4800-OGFC	\$517.00
212-FP23E21	2-1/2" Grooved Coupling, Rigid, One Bolt Easy Install, UL/FM, 300 psi	4800-OGFC	\$31.00
212-FP23E21-GALV	2-1/2" Grooved Coupling, Rigid, One Bolt Easy Install, Galv, UL/FM, 300 psi	4800-OGFC	\$29.00
212-FP23F	2-1/2" Grooved coupling, flexible, UL/FM, 300 psi	4800-OGFC	\$25.00
212-FP23F-GALV	2-1/2" Grooved coupling, flexible, galvanized, UL/FM, 300 psi	4800-OGFC	\$40.00
212-FP23RA	2-1/2" Grooved coupling, rigid, angle pad, UL/FM, 300 psi	4800-OGFC	\$25.00

212-FP23RA-GALV	2-1/2" Grooved coupling, rigid, angle pad, Galvanized, UL/FM, 300 psi	4800-OGFC	\$40.00
212X112-FP23	2-1/2" by 1-1/2" Grooved Reducing coupling, UL/FM, 300 psi	4800-OGFC	\$57.00
212X2-FP23	2-1/2" by 2" Grooved Reducing coupling, UL/FM, 300 psi	4800-OGFC	\$66.00
212X2-FP23-GALV	2-1/2" by 2" Grooved Reducing Coupling, Galvanized, UL/FM, 300 psi	4800-OGFC	\$102.00
2-FP23EZ1	2" Grooved Coupling, Rigid, One Bolt Easy Install, UL/FM, 300 psi	4800-OGFC	\$28.00
2-FP23EZ1-GALV	2" Grooved Coupling, Rigid, One Bolt Easy Install, Galvanized, UL/FM, 300 psi	4800-OGFC	\$26.00
2-FP23F	2" Grooved coupling, flexible, UL/FM, 300 psi	4800-OGFC	\$24.00
2-FP23F-GALV	2" Grooved coupling, flexible, galvanized, UL/FM, 300 psi	4800-OGFC	\$36.00
2-FP23RA	2" Grooved coupling, rigid, angle pad, UL/FM, 300 psi	4800-OGFC	\$24.00
2-FP23RA-GALV	2" Grooved coupling, rigid, angle pad, Galvanized, UL/FM, 300 psi	4800-OGFC	\$38.00
2X112-FP23	2" by 1-1/2" Grooved Reducing coupling, UL/FM, 300 psi	4800-OGFC	\$55.00
2X112-FP23-GALV	2" by 1-1/2" Grooved Reducing coupling, galvanized, UL/FM, 300 psi	4800-OGFC	\$83.00
3-FP23EZ1	3" Grooved Coupling, Rigid, One Bolt Easy Install, UL/FM, 300 psi	4800-OGFC	\$33.00
3-FP23EZ1-GALV	3" Grooved Coupling, Rigid, One Bolt Easy Install, Galvanized, UL/FM, 300 psi	4800-OGFC	\$31.00
3-FP23F	3" Grooved coupling, flexible, UL/FM, 300 psi	4800-OGFC	\$29.00
3-FP23F-GALV	3" Grooved coupling, flexible, galvanized, UL/FM, 300 psi	4800-OGFC	\$44.00
3-FP23RA	3" Grooved coupling, rigid, angle pad, UL/FM, 300 psi	4800-OGFC	\$28.00
3-FP23RA-GALV	3" Grooved coupling, rigid, angle pad, Galvanized, UL/FM, 300 psi	4800-OGFC	\$42.00
3X112-FP23	3" by 1-1/2" Grooved Reducing coupling, UL/FM, 300 psi	4800-OGFC	\$63.00
3X12-FP23	3" by 2-1/2" Grooved Reducing coupling, UL/FM, 300 psi	4800-OGFC	\$66.00
3X12-FP23-GALV	3" by 2-1/2" Grooved Reducing coupling, galvanized, UL/FM, 300 psi	4800-OGFC	\$100.00
3X2-FP23	3" by 2" Grooved Reducing coupling, UL/FM, 300 psi	4800-OGFC	\$66.00
3X2-FP23-GALV	3" by 2" Grooved Reducing coupling, galvanized, UL/FM, 300 psi	4800-OGFC	\$100.00
4-FP23EZ1	4" Grooved Coupling, Rigid, One Bolt Easy Install, UL/FM, 300 psi	4800-OGFC	\$46.00
4-FP23EZ1-GALV	4" Grooved Coupling, Rigid, One Bolt Easy Install, Galvanized, UL/FM, 300 psi	4800-OGFC	\$44.00
4-FP23F	4" Grooved coupling, flexible, UL/FM, 300 psi	4800-OGFC	\$41.00
4-FP23F-GALV	4" Grooved coupling, flexible, galvanized, UL/FM, 300 psi	4800-OGFC	\$61.00
4-FP23R	4" Grooved coupling, rigid, UL/FM, 300 psi	4800-OGFC	\$40.00
4-FP23RA	4" Grooved coupling, rigid, angle pad, UL/FM, 300 psi	4800-OGFC	\$40.00
4-FP23RA-GALV	4" Grooved coupling, rigid, angle pad, Galvanized, UL/FM, 300 psi	4800-OGFC	\$60.00
4X12-FP23	4" by 2-1/2" Grooved Reducing coupling, UL/FM, 300 psi	4800-OGFC	\$93.00
4X12-FP23-GALV	4" by 2-1/2" Grooved Reducing coupling, galvanized, UL/FM, 300 psi	4800-OGFC	\$145.00
4X2-FP23	4" by 2" Grooved Reducing coupling, UL/FM, 300 psi	4800-OGFC	\$97.00
4X2-FP23-GALV	4" by 2" Grooved Reducing coupling, galvanized, UL/FM, 300 psi	4800-OGFC	\$147.00
4X3-FP23	4" by 3" Grooved Reducing coupling, UL/FM, 300 psi	4800-OGFC	\$93.00
4X3-FP23-GALV	4" by 3" Grooved Reducing coupling, galvanized, UL/FM, 300 psi	4800-OGFC	\$145.00
6-FP23EZ1	6" Grooved Coupling, Rigid, One Bolt Easy Install, UL/FM, 300 psi	4800-OGFC	\$79.00
6-FP23EZ1-GALV	6" Grooved Coupling, Rigid, One Bolt Easy Install, Galvanized, UL/FM, 300 psi	4800-OGFC	\$75.00
6-FP23F	6" Grooved coupling, flexible, UL/FM, 300 psi	4800-OGFC	\$55.00
6-FP23F-GALV	6" Grooved coupling, flexible, galvanized, UL/FM, 300 psi	4800-OGFC	\$83.00
6-FP23RA	6" Grooved coupling, rigid, angle pad, UL/FM, 300 psi	4800-OGFC	\$66.00
6-FP23RA-GALV	6" Grooved coupling, rigid, angle pad, Galvanized, UL/FM, 300 psi	4800-OGFC	\$102.00
6X3-FP23	6" by 3" Grooved Reducing coupling, UL/FM, 300 psi	4800-OGFC	\$144.00
6X4-FP23	6" by 4" Grooved Reducing coupling, UL/FM, 300 psi	4800-OGFC	\$144.00
6X4-FP23-GALV	6" by 4" Grooved Reducing Coupling, Galvanized, UL/FM, 300 psi	4800-OGFC	\$218.00
8-FP23F	8" Grooved coupling, flexible, UL/FM, 300 psi	4800-OGFC	\$107.00
8-FP23F-GALV	8" Grooved coupling, flexible, galvanized, UL/FM, 300 psi	4800-OGFC	\$149.00
8-FP23RA	8" Grooved coupling, rigid, angle pad, UL/FM, 300 psi	4800-OGFC	\$121.00
8-FP23RA-GALV	8" Grooved coupling, rigid, angle pad, Galvanized, UL/FM, 300 psi	4800-OGFC	\$187.00
8X6-FP23	8" by 6" Grooved Reducing coupling, UL/FM, 300 psi	4800-OGFC	\$283.00
8X6-FP23-GALV	8" by 6" Grooved Reducing coupling, galvanized, UL/FM, 300 psi	4800-OGFC	\$405.00
10-FP3	10" Grooved Cap, UL/FM, 300 psi	4800-OGFC	\$233.00
10-FP3-GALV	10" Grooved Cap, galvanized, UL/FM, 300 psi	4800-OGFC	\$360.00
112-FP3	1-1/2" Grooved Cap, UL/FM, 400 psi	4800-OGFC	\$16.00
112-FP3-GALV	1-1/2" Grooved Cap, galvanized, UL/FM, 400 psi	4800-OGFC	\$24.00
114-FP3	1-1/4" Grooved Cap, UL/FM, 400 psi	4800-OGFC	\$16.00
114-FP3-GALV	1-1/4" Grooved Cap, galvanized, UL/FM, 400 psi	4800-OGFC	\$24.00
212-FP3	2-1/2" Grooved Cap, UL/FM, 400 psi	4800-OGFC	\$23.00
212-FP3-GALV	2-1/2" Grooved Cap, Galvanized, UL/FM, 400 psi	4800-OGFC	\$35.00
212X1-FP3ETF	2-1/2" Grooved Eccentric Drain Cap, Painted, UL/FM, 300 psi, Tapped (1" FNPT)	4800-OGFC	\$33.00
212X1-FP3ETF-GALV	2-1/2" Grooved Eccentric Drain Cap, Galvanized, UL/FM, 300 psi, Tapped (1" FNPT)	4800-OGFC	\$51.00
2-FP3	2" Grooved Cap, UL/FM, 400 psi	4800-OGFC	\$19.00
2-FP3-GALV	2" Grooved Cap, Galvanized, UL/FM, 400 psi	4800-OGFC	\$29.00
2X1-FP3ETF	2" Grooved Eccentric Drain Cap, Painted, UL/FM, 400 psi, Tapped (1" FNPT)	4800-OGFC	\$24.00
2X1-FP3ETF-GALV	2" Grooved Eccentric Drain Cap, Galvanized, UL/FM, 300 psi, Tapped (1" FNPT)	4800-OGFC	\$36.00
3-FP3	3" Grooved Cap, UL/FM, 400 psi	4800-OGFC	\$25.00
3-FP3-GALV	3" Grooved Cap, Galvanized UL/FM, 400 psi	4800-OGFC	\$40.00
3X1-FP3ETF	3" Grooved Eccentric Drain Cap, Painted UL/FM, 400 psi, Tapped (1" FNPT)	4800-OGFC	\$36.00
3X1-FP3ETF-GALV	3" Grooved Eccentric Drain Cap, Galvanized UL/FM, 300 psi, Tapped (1" FNPT)	4800-OGFC	\$54.00

4-FP3	4" Grooved Cap, UL/FM, 400 psi	4800-OGFC	\$29.00
4-FP3-GALV	4" Grooved Cap, Galvanized, UL/FM, 400 psi	4800-OGFC	\$44.00
4X1-FP3ETF	4" Grooved Eccentric Drain Cap, Painted, UL/FM, 400 psi, Tapped (1" FNPT)	4800-OGFC	\$53.00
4X1-FP3ETF-GALV	4" Grooved Eccentric Drain Cap, Galvanized, UL/FM, 400 psi, Tapped (1" FNPT)	4800-OGFC	\$81.00
6-FP3	6" Grooved Cap, UL/FM, 300 psi	4800-OGFC	\$67.00
6-FP3-GALV	6" Grooved Cap, Galvanized, UL/FM, 300 psi	4800-OGFC	\$103.00
6X1-FP3ETF	6" Grooved Eccentric Drain Cap, Painted, UL/FM, 300 psi, Tapped (1" FNPT)	4800-OGFC	\$83.00
6X1-FP3ETF-GALV	6" Grooved Eccentric Drain Cap, Galvanized, UL/FM, 300 psi, Tapped (1" FNPT)	4800-OGFC	\$130.00
8-FP3	8" Grooved Cap, UL/FM, 300 psi	4800-OGFC	\$119.00
8-FP3-GALV	8" Grooved Cap, galvanized, UL/FM, 300 psi	4800-OGFC	\$183.00
10X6-FP51	10" by 6" Grooved x Grooved Concentric Reducer, UL/FM, 300 psi	4800-OGFC	\$773.00
10X6-FP51-GALV	10" by 6" Grooved x Grooved Concentric Reducer, galvanized, UL/FM, 300 psi	4800-OGFC	\$1,200.00
10X8-FP51	10" by 8" Grooved x Grooved Concentric Reducer, UL/FM, 300 psi	4800-OGFC	\$773.00
10X8-FP51-GALV	10" by 8" Grooved x Grooved Concentric Reducer, galvanized, UL/FM, 300 psi	4800-OGFC	\$1,200.00
212X112-FP51	2-1/2" by 1-1/2" Grooved x Grooved Concentric Reducer, UL/FM, 300 psi	4800-OGFC	\$29.00
212X112-FP51-GALV	2-1/2" by 1-1/2" Grooved x Grooved Concentric Reducer, galv, UL/FM, 300 psi	4800-OGFC	\$44.00
212X114-FP51	2-1/2" by 1-1/4" Grooved x Grooved Concentric Reducer, UL/FM, 400 psi	4800-OGFC	\$29.00
212X2-FP51	2-1/2" by 2" Grooved x Grooved Concentric Reducer, UL/FM, 300 psi	4800-OGFC	\$29.00
212X2-FP51-GALV	2-1/2" by 2" Grooved x Grooved Concentric Reducer, galvanized, UL/FM, 300 psi	4800-OGFC	\$44.00
2X112-FP51	2" by 1-1/2" Grooved x Grooved Concentric Reducer, UL/FM, 300 psi	4800-OGFC	\$36.00
2X112-FP51-GALV	2" by 1-1/2" Grooved x Grooved Concentric Reducer, galvanized, UL/FM, 300 psi	4800-OGFC	\$54.00
2X112-FP63G	2" by 1-1/2" Mechanical Tee, Grooved Outlet, UL/FM, 300 psi	4800-OGFC	\$65.00
2X114-FP51	2" by 1-1/4" Grooved x Grooved Concentric Reducer, UL/FM, 300 psi	4800-OGFC	\$28.00
2X114-FP51-GALV	2" by 1-1/4" Grooved x Grooved Concentric Reducer, galvanized, UL/FM, 300 psi	4800-OGFC	\$41.00
2X1-FP51	2" by 1" Grooved x Grooved Concentric Reducer, UL/FM, 300 psi	4800-OGFC	\$36.00
2X1-FP51-GALV	2" by 1" Grooved x Grooved Concentric Reducer, galvanized, UL/FM, 300 psi	4800-OGFC	\$54.00
3X112-FP51	3" X 1-1/2" Grooved x Grooved Concentric Reducer, UL/FM, 300 psi	4800-OGFC	\$59.00
3X112-FP51-GALV	3" X 1-1/2" Grooved x Grooved Concentric Reducer, galvanized, UL/FM, 400 psi	4800-OGFC	\$89.00
3X212-FP51	3" by 2-1/2" Grooved x Grooved Concentric Reducer, UL/FM, 300 psi	4800-OGFC	\$41.00
3X212-FP51-GALV	3" by 2-1/2" Grooved x Grooved Concentric Reducer, galvanized, UL/FM, 400 psi	4800-OGFC	\$61.00
3X2-FP51	3" by 2" Grooved x Grooved Concentric Reducer, UL/FM, 300 psi	4800-OGFC	\$41.00
3X2-FP51-GALV	3" by 2" Grooved x Grooved Concentric Reducer, galvanized, UL/FM, 400 psi	4800-OGFC	\$61.00
4X212-FP51	4" by 2-1/2" Grooved x Grooved Concentric Reducer, UL/FM, 300 psi	4800-OGFC	\$51.00
4X212-FP51-GALV	4" by 2-1/2" Grooved x Grooved Concentric Reducer, galvanized, UL/FM, 400 psi	4800-OGFC	\$78.00
4X2-FP51	4" by 2" Grooved x Grooved Concentric Reducer, UL/FM, 300 psi	4800-OGFC	\$55.00
4X2-FP51-GALV	4" by 2" Grooved x Grooved Concentric Reducer, galvanized, UL/FM, 400 psi	4800-OGFC	\$83.00
4X3-FP51	4" by 3" Grooved x Grooved Concentric Reducer, UL/FM, 300 psi	4800-OGFC	\$51.00
4X3-FP51-GALV	4" by 3" Grooved x Grooved Concentric Reducer, galvanized, UL/FM, 400 psi	4800-OGFC	\$78.00
6X212-FP51	6" by 2-1/2" Grooved x Grooved Concentric Reducer, UL/FM, 300 psi	4800-OGFC	\$97.00
6X2-FP51	6" by 2" Grooved x Grooved Concentric Reducer, UL/FM, 300 psi	4800-OGFC	\$97.00
6X2-FP51-GALV	6" by 2" Grooved x Grooved Concentric Reducer, Galvanized, UL/FM, 300 psi	4800-OGFC	\$147.00
6X3-FP51	6" by 3" Grooved x Grooved Concentric Reducer, UL/FM, 300 psi	4800-OGFC	\$97.00
6X3-FP51-GALV	6" by 3" Grooved x Grooved Concentric Reducer, galvanized, UL/FM, 300 psi	4800-OGFC	\$147.00
6X4-FP51	6" by 4" Grooved x Grooved Concentric Reducer, UL/FM, 300 psi	4800-OGFC	\$97.00
6X4-FP51-GALV	6" by 4" Grooved x Grooved Concentric Reducer, galvanized, UL/FM, 300 psi	4800-OGFC	\$147.00
8X3-FP51	8" by 3" Grooved x Grooved Concentric Reducer, UL/FM, 300 psi	4800-OGFC	\$185.00
8X3-FP51-GALV	8" by 3" Grooved x Grooved Concentric Reducer, galvanized, UL/FM, 300 psi	4800-OGFC	\$267.00
8X4-FP51	8" by 4" Grooved x Grooved Concentric Reducer, UL/FM, 300 psi	4800-OGFC	\$185.00
8X4-FP51-GALV	8" by 4" Grooved x Grooved Concentric Reducer, galvanized, UL/FM, 300 psi	4800-OGFC	\$267.00
8X6-FP51	8" by 6" Grooved x Grooved Concentric Reducer, UL/FM, 300 psi	4800-OGFC	\$185.00
8X6-FP51-GALV	8" by 6" Grooved x Grooved Concentric Reducer, galvanized, UL/FM, 300 psi	4800-OGFC	\$287.00
10-FP52	10" Grooved 90 degree elbow, UL/FM, 300 psi	4800-OGFC	\$650.00
10-FP52-45	10" Grooved 45 degree elbow, UL/FM, 300 psi	4800-OGFC	\$634.00
10-FP52-45-GALV	10" Grooved 45 degree elbow, galvanized, UL/FM, 300 psi	4800-OGFC	\$982.00
10-FP52S	10" Grooved 90 degree elbow, UL/FM, 300 psi, Short Radius	4800-OGFC	\$650.00

10-FP52S-GALV	10" Grooved 90 degree elbow, Galvanized, UL/FM, 300 psi, Short Radius	4800-OGFC	\$1,005.00
112-FP52	1-1/2" Grooved 90 degree elbow, UL/FM, 400 psi	4800-OGFC	\$19.00
112-FP52-11	1-1/2" Grooved 11.25 degree elbow, UL/FM, 400 psi	4800-OGFC	\$44.00
112-FP52-11-GALV	1-1/2" Grooved 11.25 degree elbow, galvanized, UL/FM, 400 psi	4800-OGFC	\$66.00
112-FP52-22	1-1/2" Grooved 22.5 degree elbow, UL/FM, 400 psi	4800-OGFC	\$48.00
112-FP52-22-GALV	1-1/2" Grooved 22.5 degree elbow, galvanized, UL/FM, 400 psi	4800-OGFC	\$75.00
112-FP52-45	1-1/2" Grooved 45 degree elbow, UL/FM, 400 psi	4800-OGFC	\$23.00
112-FP52-45-GALV	1-1/2" Grooved 45 degree elbow, galvanized, UL/FM, 400 psi	4800-OGFC	\$35.00
112-FP52-GALV	1-1/2" Grooved 90 degree elbow, Galvanized, UL/FM, 400 psi	4800-OGFC	\$29.00
112-FP52S	1-1/2" Grooved 90 degree elbow, UL/FM, 400 psi, Short Radius	4800-OGFC	\$23.00
112-FP52S-GALV	1-1/2" Grooved 90 degree elbow, galvanized, UL/FM, 400 psi, Short Radius	4800-OGFC	\$35.00
112X12-FP52GTF	1-1/2" by 1/2" End of run elbow, grooved x Female NPT, UL/FM, 500 psi	4800-OGFC	\$61.00
112X12-FP52GTF-GALV	1-1/2" by 1/2" End of run elbow, grooved x Female NPT, galv, UL/FM, 500 psi	4800-OGFC	\$92.00
112X1-FP52GTF	1-1/2" by 1" End of run elbow, grooved x Female NPT, UL/FM, 500 psi	4800-OGFC	\$61.00
112X1-FP52GTF-GALV	1-1/2" by 1" End of run elbow, grooved x Female NPT, galvanized, UL/FM, 500 psi	4800-OGFC	\$92.00
112X34-FP52GTF	1-1/2" by 3/4" End of run elbow, grooved x Female NPT, UL/FM, 500 psi	4800-OGFC	\$61.00
112X34-FP52GTF-GALV	1-1/2" by 3/4" End of run elbow, grooved x Female NPT, galv, UL/FM, 500 psi	4800-OGFC	\$92.00
114-FP52	1-1/4" Grooved 90 degree elbow, UL/FM, 400 psi	4800-OGFC	\$19.00
114-FP52-11	1-1/4" Grooved 11.25 Degree Elbow, UL/FM, 400 psi	4800-OGFC	\$38.00
114-FP52-22	1-1/4" Grooved 22.5 Degree Elbow, UL/FM, 400 psi	4800-OGFC	\$40.00
114-FP52-45	1-1/4" Grooved 45 degree elbow, UL/FM, 400 psi	4800-OGFC	\$23.00
114-FP52-45-GALV	1-1/4" Grooved 45 degree elbow, galvanized, UL/FM, 400 psi	4800-OGFC	\$35.00
114-FP52-GALV	1-1/4" Grooved 90 degree elbow, galvanized, UL/FM, 400 psi	4800-OGFC	\$29.00
114-FP52S	1-1/4" Grooved 90 degree elbow, UL/FM, 400 psi, Short Radius	4800-OGFC	\$36.00
114-FP52S-GALV	1-1/4" Grooved 90 degree elbow, galvanized, UL/FM, 400 psi, Short Radius	4800-OGFC	\$54.00
114X12-FP52GTF	1-1/4" by 1/2" End of run elbow, grooved x Female NPT, UL/FM, 500 psi	4800-OGFC	\$61.00
114X12-FP52GTF-GALV	1-1/4" by 1/2" End of run elbow, grooved x Female NPT, galv, UL/FM, 500 psi	4800-OGFC	\$92.00
114X1-FP52GTF	1-1/4" by 1" End of run elbow, grooved x Female NPT, UL/FM, 500 psi	4800-OGFC	\$61.00
114X1-FP52GTF-GALV	1-1/4" by 1" End of run elbow, grooved x Female NPT, galvanized, UL/FM, 500 psi	4800-OGFC	\$92.00
114X34-FP52GTF	1-1/4" by 3/4" End of run elbow, grooved x Female NPT, UL/FM, 500 psi	4800-OGFC	\$61.00
114X34-FP52GTF-GALV	1-1/4" by 3/4" End of run elbow, grooved x Female NPT, galv, UL/FM, 500 psi	4800-OGFC	\$92.00
212-FP52	2-1/2" Grooved 90 degree elbow, UL/FM, 400 psi	4800-OGFC	\$28.00
212-FP52-11	2-1/2" Grooved 11.25 degree elbow, UL/FM, 400 psi	4800-OGFC	\$55.00
212-FP52-11-GALV	2-1/2" Grooved 11.25 degree elbow, galvanized, UL/FM, 400 psi	4800-OGFC	\$83.00
212-FP52-22	2-1/2" Grooved 22.5 degree elbow, UL/FM, 400 psi	4800-OGFC	\$55.00
212-FP52-22-GALV	2-1/2" Grooved 22.5 degree elbow, galvanized, UL/FM, 400 psi	4800-OGFC	\$83.00
212-FP52-45	2-1/2" Grooved 45 degree elbow, UL/FM, 400 psi	4800-OGFC	\$25.00
212-FP52-45-GALV	2-1/2" Grooved 45 degree elbow, Galvanized, UL/FM, 400 psi	4800-OGFC	\$40.00
212-FP52D	2-1/2" Grooved 90 degree drain-elbow (1" FNPT), UL/FM, 300 psi	4800-OGFC	\$40.00
212-FP52D-GALV	2-1/2" Grooved 90 degree Drain-Elbow, (1" FNPT), Galvanized, UL/FM, 300 psi	4800-OGFC	\$60.00
212-FP52-GALV	2-1/2" Grooved 90 degree elbow, galvanized, UL/FM, 400 psi	4800-OGFC	\$42.00
212-FP52S	2-1/2" Grooved 90 degree elbow, UL/FM, 400 psi, Short Radius	4800-OGFC	\$28.00
212-FP52S-GALV	2-1/2" Grooved 90 degree elbow, Short Radius, Galvanized, UL/FM, 400 psi	4800-OGFC	\$42.00
212X12-FP52GTF	2-1/2" by 1/2" End of run elbow, grooved x Female NPT, UL/FM, 500 psi	4800-OGFC	\$66.00
212X1-FP52GTF	2-1/2" by 1" End of run elbow, grooved x Female NPT, UL/FM, 500 psi	4800-OGFC	\$66.00
212X1-FP52GTF-GALV	2-1/2" by 1" End of run elbow, grooved x Female NPT, galvanized, UL/FM, 500 psi	4800-OGFC	\$100.00
212X34-FP52GTF	2-1/2" by 3/4" End of run elbow, grooved x Female NPT, UL/FM, 500 psi	4800-OGFC	\$66.00
212X34-FP52GTF-GALV	2-1/2" by 3/4" End of run elbow, grooved x Female NPT, galv, UL/FM, 500 psi	4800-OGFC	\$100.00
2-FP52	2" Grooved 90 degree elbow, UL/FM, 400 psi	4800-OGFC	\$24.00
2-FP52-11	2" Grooved 11.25 degree elbow, UL/FM, 400 psi	4800-OGFC	\$48.00
2-FP52-11-GALV	2" Grooved 11.25 degree elbow, galvanized, UL/FM, 400 psi	4800-OGFC	\$75.00
2-FP52-22	2" Grooved 22.5 degree elbow, UL/FM, 400 psi	4800-OGFC	\$48.00
2-FP52-22-GALV	2" Grooved 22.5 degree elbow, galvanized, UL/FM, 400 psi	4800-OGFC	\$75.00
2-FP52-45	2" Grooved 45 degree elbow, UL/FM, 400 psi	4800-OGFC	\$24.00
2-FP52-45-GALV	2" Grooved 45 degree elbow, galvanized, UL/FM, 400 psi	4800-OGFC	\$38.00
2-FP52D	2" Grooved 90 degree drain-elbow (1" FNPT), UL/FM, 300 psi	4800-OGFC	\$38.00
2-FP52D-GALV	2" Grooved 90 degree drain-elbow (1" FNPT), galvanized, UL/FM, 300 psi	4800-OGFC	\$55.00
2-FP52-GALV	2" Grooved 90 degree elbow, Galvanized, UL/FM, 400 psi	4800-OGFC	\$38.00
2-FP52S	2" Grooved 90 degree elbow, UL/FM, 400 psi, Short Radius	4800-OGFC	\$24.00
2-FP52S-GALV	2" Grooved 90 degree elbow, Short Radius, Galvanized, UL/FM, 400 psi	4800-OGFC	\$38.00

2X12-FP52GTF	2" by 1/2" End of run elbow, grooved x Female NPT, UL/FM, 500 psi	4800-OGFC	\$63.00
2X12-FP52GTF-GALV	2" by 1/2" End of run elbow, grooved x Female NPT, galvanized, UL/FM, 500 psi	4800-OGFC	\$99.00
2X1-FP52GTF	2" by 1" End of run elbow, grooved x Female NPT, UL/FM, 500 psi	4800-OGFC	\$66.00
2X1-FP52GTF-GALV	2" by 1" End of run elbow, grooved x Female NPT, galvanized, UL/FM, 500 psi	4800-OGFC	\$100.00
2X34-FP52GTF	2" by 3/4" End of run elbow, grooved x Female NPT, UL/FM, 500 psi	4800-OGFC	\$63.00
2X34-FP52GTF-GALV	2" by 3/4" End of run elbow, grooved x Female NPT, galvanized, UL/FM, 500 psi	4800-OGFC	\$99.00
3-FP52	3" Grooved 90 degree elbow, UL/FM, 400 psi	4800-OGFC	\$40.00
3-FP52-11	3" Grooved 11.25 degree elbow, UL/FM, 400 psi	4800-OGFC	\$69.00
3-FP52-11-GALV	3" Grooved 11.25 degree elbow, galvanized, UL/FM, 400 psi	4800-OGFC	\$108.00
3-FP52-22	3" Grooved 22.5 degree elbow, UL/FM, 400 psi	4800-OGFC	\$69.00
3-FP52-22-GALV	3" Grooved 22.5 degree elbow, galvanized, UL/FM, 400 psi	4800-OGFC	\$108.00
3-FP52-45	3" Grooved 45 degree elbow, UL/FM, 400 psi	4800-OGFC	\$36.00
3-FP52-45-GALV	3" Grooved 45 degree elbow, galvanized, UL/FM, 400 psi	4800-OGFC	\$54.00
3-FP52D	3" Grooved 90 degree drain-elbow (1" FNPT), UL/FM, 300 psi	4800-OGFC	\$38.00
3-FP52D-GALV	3" Grooved 90 degree Drain-Elbow, (1" FNPT), Galvanized, UL/FM, 300 psi	4800-OGFC	\$56.00
3-FP52-GALV	3" Grooved 90 degree elbow, galvanized, UL/FM, 400 psi	4800-OGFC	\$60.00
3-FP52S	3" Grooved 90 degree elbow, UL/FM, 400 psi, Short Radius	4800-OGFC	\$41.00
3-FP52S-GALV	3" Grooved 90 degree elbow, galvanized, UL/FM, 400 psi, Short Radius	4800-OGFC	\$61.00
4-FP52	4" Grooved 90 degree elbow, UL/FM, 400 psi	4800-OGFC	\$51.00
4-FP52-11	4" Grooved 11.25 degree elbow, UL/FM, 400 psi	4800-OGFC	\$102.00
4-FP52-11-GALV	4" Grooved 11.25 degree elbow, galvanized, UL/FM, 400 psi	4800-OGFC	\$156.00
4-FP52-22	4" Grooved 22.5 degree elbow, UL/FM, 400 psi	4800-OGFC	\$102.00
4-FP52-22-GALV	4" Grooved 22.5 degree elbow, galvanized, UL/FM, 400 psi	4800-OGFC	\$156.00
4-FP52-45	4" Grooved 45 degree elbow, UL/FM, 400 psi	4800-OGFC	\$44.00
4-FP52-45-GALV	4" Grooved 45 degree elbow, galvanized, UL/FM, 400 psi	4800-OGFC	\$66.00
4-FP52D	4" Grooved 90 degree drain-elbow (1" FNPT), UL/FM, 300 psi	4800-OGFC	\$38.00
4-FP52D-GALV	4" Grooved 90 degree Drain-Elbow, (1" FNPT), Galvanized, UL/FM, 300 psi	4800-OGFC	\$56.00
4-FP52-GALV	4" Grooved 90 degree elbow, Galvanized, UL/FM, 400 psi	4800-OGFC	\$78.00
4-FP52S	4" Grooved 90 degree elbow, UL/FM, 400 psi, Short Radius	4800-OGFC	\$48.00
4-FP52S-GALV	4" Grooved 90 degree elbow, galvanized, UL/FM, 400 psi, Short Radius	4800-OGFC	\$75.00
6-FP52	6" Grooved 90 degree elbow, UL/FM, 300 psi	4800-OGFC	\$121.00
6-FP52-11	6" Grooved 11.25 degree elbow, UL/FM, 300 psi	4800-OGFC	\$223.00
6-FP52-11-GALV	6" Grooved 11.25 degree elbow, galvanized, UL/FM, 300 psi	4800-OGFC	\$345.00
6-FP52-22	6" Grooved 22.5 degree elbow, UL/FM, 300 psi	4800-OGFC	\$223.00
6-FP52-22-GALV	6" Grooved 22.5 degree elbow, galvanized, UL/FM, 300 psi	4800-OGFC	\$345.00
6-FP52-45	6" Grooved 45 degree elbow, UL/FM, 300 psi	4800-OGFC	\$114.00
6-FP52-45-GALV	6" Grooved 45 degree elbow, Galvanized, UL/FM, 300 psi	4800-OGFC	\$175.00
6-FP52D	6" Grooved 90 degree drain-elbow (1" FNPT), UL/FM, 300 psi	4800-OGFC	\$70.00
6-FP52D-GALV	6" Grooved 90 degree Drain-Elbow, (1" FNPT), Galvanized, UL/FM, 300 psi	4800-OGFC	\$110.00
6-FP52-GALV	6" Grooved 90 degree elbow, Galvanized, UL/FM, 300 psi	4800-OGFC	\$187.00
6-FP52S	6" Grooved 90 degree elbow, UL/FM, 300 psi, Short Radius	4800-OGFC	\$108.00
6-FP52S-GALV	6" Grooved 90 degree elbow, galvanized, UL/FM, 300 psi, Short Radius	4800-OGFC	\$163.00
8-FP52	8" Grooved 90 degree elbow, UL/FM, 300 psi	4800-OGFC	\$241.00
8-FP52-11	8" Grooved 11.25 Degree Elbow, UL/FM, 300 psi	4800-OGFC	\$460.00
8-FP52-22	8" Grooved 22.5 degree elbow, UL/FM, 300 psi	4800-OGFC	\$429.00
8-FP52-22-GALV	8" Grooved 22.5 degree elbow, galvanized, UL/FM, 300 psi	4800-OGFC	\$662.00
8-FP52-45	8" Grooved 45 degree elbow, UL/FM, 300 psi	4800-OGFC	\$208.00
8-FP52-45-GALV	8" Grooved 45 degree elbow, galvanized, UL/FM, 300 psi	4800-OGFC	\$321.00
8-FP52-GALV	8" Grooved 90 degree elbow, Galvanized, UL/FM, 300 psi	4800-OGFC	\$371.00
8-FP52S	8" Grooved 90 degree elbow, UL/FM, 300 psi, Short Radius	4800-OGFC	\$215.00
8-FP52S-GALV	8" Grooved 90 degree elbow, galvanized, UL/FM, 300 psi, Short Radius	4800-OGFC	\$331.00
10-FP55S	10" Grooved Tee, UL/FM, 300 psi, Short Radius	4800-OGFC	\$1,053.00
10-FP55S-GALV	10" Grooved Tee, galvanized, UL/FM, 300 psi, Short Radius	4800-OGFC	\$1,524.00
112-FP53	1-1/2" Grooved Tee, UL/FM, 400 psi, Std Radius	4800-OGFC	\$25.00
112-FP53-GALV	1-1/2" Grooved Tee, galvanized, UL/FM, 400 psi, Std Radius	4800-OGFC	\$40.00
112-FP53S	1-1/2" Grooved Tee, UL/FM, 400 psi, Short Radius	4800-OGFC	\$24.00
112-FP53S-GALV	1-1/2" Grooved Tee, galvanized, UL/FM, 400 psi, Short Radius	4800-OGFC	\$36.00
114-FP53	1-1/4" Grooved Tee, UL/FM, 400 psi, Std Radius	4800-OGFC	\$25.00
114-FP53-GALV	1-1/4" Grooved Tee, galvanized, UL/FM, 400 psi, Std Radius	4800-OGFC	\$40.00
114-FP53S	1-1/4" Grooved Tee, UL/FM, 400 psi, Short Radius	4800-OGFC	\$24.00
114-FP53S-GALV	1-1/4" Grooved Tee, galvanized, UL/FM, 400 psi, Short Radius	4800-OGFC	\$36.00
212-FP53	2-1/2" Grooved Tee, UL/FM, 400 psi, Std Radius	4800-OGFC	\$42.00
212-FP53-GALV	2-1/2" Grooved Tee, galvanized, UL/FM, 400 psi, Std Radius	4800-OGFC	\$62.00
212-FP53S	2-1/2" Grooved Tee, UL/FM, 400 psi, Short Radius	4800-OGFC	\$36.00
212-FP53S-GALV	2-1/2" Grooved Tee, galvanized, UL/FM, 400 psi, Short Radius	4800-OGFC	\$54.00
212X2-FP53	2-1/2" by 2" Grooved Reducing Branch Tee, UL/FM, 300 psi	4800-OGFC	\$69.00
212X2-FP53-GALV	2-1/2" by 2" Grooved Reducing Branch Tee, galvanized, UL/FM, 300 psi	4800-OGFC	\$107.00
2-FP53	2" Grooved Tee, UL/FM, 400 psi, Std Radius	4800-OGFC	\$29.00
2-FP53-GALV	2" Grooved Tee, galvanized, UL/FM, 400 psi, Std Radius	4800-OGFC	\$44.00
2-FP53S	2" Grooved Tee, UL/FM, 400 psi, Short Radius	4800-OGFC	\$28.00
2-FP53S-GALV	2" Grooved Tee, Short Radius, Galvanized, UL/FM, 400 psi	4800-OGFC	\$42.00
3-FP53	3" Grooved Tee, UL/FM, 400 psi, Std Radius	4800-OGFC	\$55.00

3-FP53-GALV	3" Grooved Tee, galvanized, UL/FM, 400 psi, Std Radius	4800-OGFC	\$83.00
3-FP53S	3" Grooved Tee, UL/FM, 400 psi, Short Radius	4800-OGFC	\$42.00
3-FP53S-GALV	3" Grooved Tee, Short Radius, Galvanized, UL/FM, 400 psi	4800-OGFC	\$63.00
3X1-FP53	3" by 1" Grooved Reducing Branch Tee, UL/FM, 400 psi	4800-OGFC	\$116.00
3X212-FP53	3" by 2-1/2" Grooved Reducing Branch Tee, UL/FM, 300 psi	4800-OGFC	\$130.00
3X212-FP53-GALV	3" by 2-1/2" Grooved Reducing Branch Tee, galvanized, UL/FM, 400 psi	4800-OGFC	\$197.00
3X2-FP53	3" by 2" Grooved Reducing Branch Tee, UL/FM, 300 psi	4800-OGFC	\$130.00
3X2-FP53-GALV	3" by 2" Grooved Reducing Branch Tee, galvanized, UL/FM, 400 psi	4800-OGFC	\$197.00
4-FP53	4" Grooved Tee, UL/FM, 400 psi, Std Radius	4800-OGFC	\$91.00
4-FP53-GALV	4" Grooved Tee, Galvanized, UL/FM, 400 psi	4800-OGFC	\$142.00
4-FP53S	4" Grooved Tee, UL/FM, 400 psi, Short Radius	4800-OGFC	\$67.00
4-FP53S-GALV	4" Grooved Tee, Short Radius, Galvanized, UL/FM, 400 psi	4800-OGFC	\$103.00
4X212-FP53	4" by 2-1/2" Grooved Reducing Branch Tee, UL/FM, 300 psi	4800-OGFC	\$144.00
4X212-FP53-GALV	4" by 2-1/2" Grooved Reducing Branch Tee, galvanized, UL/FM, 400 psi	4800-OGFC	\$218.00
4X2-FP53	4" by 2" Grooved Reducing Branch Tee, UL/FM, 300 psi	4800-OGFC	\$144.00
4X2-FP53-GALV	4" by 2" Grooved Reducing Branch Tee, galvanized, UL/FM, 400 psi	4800-OGFC	\$218.00
4X3-FP53	4" by 3" Grooved Reducing Branch Tee, UL/FM, 300 psi	4800-OGFC	\$144.00
4X3-FP53-GALV	4" by 3" Grooved Reducing Branch Tee, galvanized, UL/FM, 400 psi	4800-OGFC	\$218.00
6-FP53	6" Grooved Tee, UL/FM, 300 psi, Std Radius	4800-OGFC	\$196.00
6-FP53-GALV	6" Grooved Tee, Galvanized, UL/FM, 300 psi	4800-OGFC	\$301.00
6-FP53S	6" Grooved Tee, UL/FM, 300 psi, Short Radius	4800-OGFC	\$156.00
6-FP53S-GALV	6" Grooved Tee, Short Radius, Galvanized, UL/FM, 300 psi	4800-OGFC	\$241.00
6X212-FP53	6" by 2-1/2" Grooved Reducing Branch Tee, UL/FM, 300 psi	4800-OGFC	\$350.00
6X2-FP53	6" by 2" Grooved Reducing Branch Tee, UL/FM, 300 psi	4800-OGFC	\$350.00
6X2-FP53-GALV	6" by 2" Grooved Reducing Branch Tee, galvanized, UL/FM, 300 psi	4800-OGFC	\$538.00
6X3-FP53	6" by 3" Grooved Reducing Branch Tee, UL/FM, 300 psi	4800-OGFC	\$350.00
6X3-FP53-GALV	6" by 3" Grooved Reducing Branch Tee, galvanized, UL/FM, 300 psi	4800-OGFC	\$538.00
6X4-FP53	6" by 4" Grooved Reducing Branch Tee, UL/FM, 300 psi	4800-OGFC	\$284.00
6X4-FP53-GALV	6" by 4" Grooved Reducing Branch Tee, galvanized, UL/FM, 300 psi	4800-OGFC	\$438.00
6-ZPI2	DRY POSITION INDICATOR, 6" ZW200	4800-OACV	\$1,517.00
8-FP53	8" Grooved Tee, UL/FM, 300 psi, Std Radius	4800-OGFC	\$429.00
8-FP53-GALV	8" Grooved Tee, Galvanized, UL/FM, 300 psi	4800-OGFC	\$662.00
8-FP53S	8" Grooved Tee, UL/FM, 300 psi, Short Radius	4800-OGFC	\$333.00
8-FP53S-GALV	8" Grooved Tee, galvanized, UL/FM, 300 psi, Short Radius	4800-OGFC	\$480.00
8X4-FP53	8" by 4" Grooved Reducing Branch Tee, UL/FM, 300 psi	4800-OGFC	\$600.00
8X4-FP53-GALV	8" by 4" Grooved Reducing Branch Tee, galvanized, UL/FM, 300 psi	4800-OGFC	\$865.00
8X6-FP53	8" by 6" Grooved Reducing Branch Tee, UL/FM, 300 psi	4800-OGFC	\$600.00
8X6-FP53-GALV	8" by 6" Grooved Reducing Branch Tee, galvanized, UL/FM, 300 psi	4800-OGFC	\$865.00
212-FP56	2-1/2" Grooved Cross, UL/FM, 400 psi, Std Radius	4800-OGFC	\$107.00
212-FP56-GALV	2-1/2" Grooved Cross, galvanized, UL/FM, 400 psi, Std Radius	4800-OGFC	\$160.00
2-FP56	2" Grooved Cross, UL/FM, 400 psi, Std Radius	4800-OGFC	\$91.00
2-FP56-GALV	2" Grooved Cross, galvanized, UL/FM, 400 psi, Std Radius	4800-OGFC	\$142.00
3-FP56	3" Grooved Cross, UL/FM, 400 psi, Std Radius	4800-OGFC	\$150.00
3-FP56-GALV	3" Grooved Cross, galvanized, UL/FM, 400 psi, Std Radius	4800-OGFC	\$233.00
4-FP56	4" Grooved Cross, UL/FM, 400 psi, Std Radius	4800-OGFC	\$281.00
4-FP56-GALV	4" Grooved Cross, galvanized, UL/FM, 400 psi, Std Radius	4800-OGFC	\$432.00
6-FP56	6" Grooved Cross, UL/FM, 300 psi, Std Radius	4800-OGFC	\$570.00
6-FP56-GALV	6" Grooved Cross, galvanized, UL/FM, 300 psi, Std Radius	4800-OGFC	\$884.00
8-FP56	8" Grooved Cross, UL/FM, 300 psi, Std Radius	4800-OGFC	\$951.00
8-FP56-GALV	8" Grooved Cross, galvanized, UL/FM, 300 psi, Std Radius	4800-OGFC	\$1,473.00
112X12-FP63LTF	1-1/2" by 1/2" Mechanical tee, U-Bolt clamp, Female NPT outlet, UL/FM, 300 psi	4800-OGFC	\$36.00
112X1-FP63LTF	1-1/2" by 1" Mechanical tee, U-Bolt clamp, Female NPT outlet, UL/FM, 300 psi	4800-OGFC	\$36.00
112X1-FP63LTF-GALV	1-1/2" by 1" Mechanical Tee, U-Bolt Clamp, FNPT Outlet, Galvanized, UL/FM, 300psi	4800-OGFC	\$54.00
112X34-FP63LTF	1-1/2" by 3/4" Mechanical tee, U-Bolt clamp, Female NPT outlet, UL/FM, 300 psi	4800-OGFC	\$36.00
114X12-FP63LTF	1-1/4" by 1/2" Mechanical tee, U-Bolt clamp, Female NPT outlet, UL/FM, 300 psi	4800-OGFC	\$36.00
114X1-FP63LTF	1-1/4" by 1" Mechanical tee, U-Bolt clamp, Female NPT outlet, UL/FM, 300 psi	4800-OGFC	\$36.00
114X1-FP63LTF-GALV	1-1/4" by 1" Mechanical Tee, U-Bolt Clamp, FNPT Outlet, Galvanized, UL/FM, 300psi	4800-OGFC	\$54.00
114X34-FP63LTF	1-1/4" by 3/4" Mechanical tee, U-Bolt clamp, Female NPT outlet, UL/FM, 300 psi	4800-OGFC	\$36.00
212X112-FP63G	2-1/2" by 1-1/2" Mechanical tee, grooved outlet, UL/FM, 300 psi	4800-OGFC	\$55.00
212X112-FP63TF	2-1/2" by 1-1/2" Mechanical tee, Female NPT outlet, UL/FM, 300 psi	4800-OGFC	\$55.00
212X114-FP63G	2-1/2" by 1-1/4" Mechanical tee, grooved outlet, UL/FM, 300 psi	4800-OGFC	\$55.00
212X114-FP63TF	2-1/2" by 1-1/4" Mechanical tee, Female NPT outlet, UL/FM, 300 psi	4800-OGFC	\$55.00
212X12-FP63LTF	2-1/2" by 1/2" Mechanical tee, U-Bolt clamp, Female NPT outlet, UL/FM, 300 psi	4800-OGFC	\$41.00
212X1-FP63LTF	2-1/2" by 1" Mechanical tee, U-Bolt clamp, Female NPT outlet, UL/FM, 300 psi	4800-OGFC	\$41.00
212X1-FP63TF	2-1/2" by 1" Mechanical tee, Female NPT outlet, UL/FM, 300 psi	4800-OGFC	\$51.00
212X34-FP63LTF	2-1/2" by 3/4" Mechanical tee, U-Bolt clamp, Female NPT outlet, UL/FM, 300 psi	4800-OGFC	\$41.00
2X112-FP63TF	2" by 1-1/2" Mechanical tee, Female NPT outlet, UL/FM, 300 psi	4800-OGFC	\$63.00

2X114-FP63G	2" by 1-1/4" Mechanical tee, grooved outlet, UL/FM, 300 psi	4800-OGFC	\$55.00
2X114-FP63TF	2" by 1-1/4" Mechanical tee, Female NPT outlet, UL/FM, 300 psi	4800-OGFC	\$51.00
2X12-FP63LTF	2" by 1/2" Mechanical tee, U-Bolt clamp, Female NPT outlet, UL/FM, 300 psi	4800-OGFC	\$40.00
2X1-FP63LTF	2" by 1" Mechanical tee, U-Bolt clamp, Female NPT outlet, UL/FM, 300 psi	4800-OGFC	\$40.00
2X1-FP63LTF-GALV	2" by 1" Mechanical Tee, U-Bolt Clamp, FNPT Outlet, Galvanized, UL/FM, 300 psi	4800-OGFC	\$60.00
2X1-FP63TF	2" by 1" Mechanical tee, Female NPT outlet, UL/FM, 300 psi	4800-OGFC	\$48.00
2X1-FP63TF-GALV	2" by 1" Mechanical Tee, Female NPT Outlet, Galvanized, UL/FM, 300 psi	4800-OGFC	\$75.00
2X34-FP63LTF	2" by 3/4" Mechanical tee, U-Bolt clamp, Female NPT outlet, UL/FM, 300 psi	4800-OGFC	\$40.00
3X112-FP63G	3" by 1-1/2" Mechanical tee, grooved outlet, UL/FM, 300 psi	4800-OGFC	\$63.00
3X112-FP63TF	3" by 1-1/2" Mechanical tee, Female NPT outlet, UL/FM, 300 psi	4800-OGFC	\$63.00
3X114-FP63TF	3" by 1-1/4" Mechanical tee, Female NPT outlet, UL/FM, 300 psi	4800-OGFC	\$61.00
3X114-FP63TF-GALV	3" by 1-1/4" Mechanical Tee, Female NPT Outlet, Galvanized, UL/FM, 300 psi	4800-OGFC	\$92.00
3X1-FP63TF	3" by 1" Mechanical tee, Female NPT outlet, UL/FM, 300 psi	4800-OGFC	\$55.00
3X1-FP63TF-GALV	3" by 1" Mechanical Tee, Female NPT Outlet, Galvanized, UL/FM, 300 psi	4800-OGFC	\$83.00
3X2-FP63G	3" by 2" Mechanical tee, grooved outlet, UL/FM, 300 psi	4800-OGFC	\$67.00
3X2-FP63TF	3" by 2" Mechanical tee, Female NPT outlet, UL/FM, 300 psi	4800-OGFC	\$63.00
4X112-FP63G	4" by 1-1/2" Mechanical tee, grooved outlet, UL/FM, 300 psi	4800-OGFC	\$66.00
4X112-FP63TF	4" by 1-1/2" Mechanical tee, Female NPT outlet, UL/FM, 300 psi	4800-OGFC	\$67.00
4X114-FP63G	4" by 1-1/4" Mechanical tee, grooved outlet, UL/FM, 300 psi	4800-OGFC	\$66.00
4X114-FP63TF	4" by 1-1/4" Mechanical tee, Female NPT outlet, UL/FM, 300 psi	4800-OGFC	\$67.00
4X114-FP63TF-GALV	4" by 1-1/4" Mechanical Tee, Female NPT Outlet, Galvanized, UL/FM, 300 psi	4800-OGFC	\$103.00
4X1-FP63TF	4" by 1" Mechanical tee, Female NPT outlet, UL/FM, 300 psi	4800-OGFC	\$66.00
4X1-FP63TF-GALV	4" by 1" Mechanical Tee, Female NPT Outlet, Galvanized, UL/FM, 300 psi	4800-OGFC	\$102.00
4X212-FP63G	4" by 2-1/2" Mechanical tee, grooved outlet, UL/FM, 300 psi	4800-OGFC	\$89.00
4X212-FP63TF	4" by 2-1/2" Mechanical tee, Female NPT outlet, UL/FM, 300 psi	4800-OGFC	\$80.00
4X212-FP63TF-GALV	4" by 2-1/2" Mechanical Tee, Female NPT Outlet, Galvanized, UL/FM, 300 psi	4800-OGFC	\$120.00
4X2-FP63G	4" by 2" Mechanical tee, grooved outlet, UL/FM, 300 psi	4800-OGFC	\$89.00
4X2-FP63G-GALV	4" by 2" Mechanical Tee, Grooved Outlet, Galvanized, UL/FM, 300 psi	4800-OGFC	\$136.00
4X2-FP63TF	4" by 2" Mechanical tee, Female NPT outlet, UL/FM, 300 psi	4800-OGFC	\$79.00
4X3-FP63G	4" by 3" Mechanical tee, grooved outlet, UL/FM, 300 psi	4800-OGFC	\$93.00
4X3-FP63TF	4" by 3" Mechanical tee, Female NPT outlet, UL/FM, 300 psi	4800-OGFC	\$97.00
6X112-FP63G	6" by 1-1/2" Mechanical tee, grooved outlet, UL/FM, 300 psi	4800-OGFC	\$108.00
6X112-FP63TF	6" by 1-1/2" Mechanical tee, Female NPT outlet, UL/FM, 300 psi	4800-OGFC	\$97.00
6X114-FP63G	6" by 1-1/4" Mechanical tee, grooved outlet, UL/FM, 300 psi	4800-OGFC	\$102.00
6X114-FP63TF	6" by 1-1/4" Mechanical tee, Female NPT outlet, UL/FM, 300 psi	4800-OGFC	\$97.00
6x1-FP63TF	6" X 1" Mechanical tee, Female NPT outlet, UL/FM, 300 psi	4800-OGFC	\$119.00
6X212-FP63G	6" by 2-1/2" Mechanical tee, grooved outlet, UL/FM, 300 psi	4800-OGFC	\$117.00
6X212-FP63G-GALV	6" by 2-1/2" Mechanical Tee, Grooved Outlet, Galvanized, UL/FM, 300 psi	4800-OGFC	\$182.00
6X212-FP63TF	6" by 2-1/2" Mechanical tee, Female NPT outlet, UL/FM, 300 psi	4800-OGFC	\$120.00
6X2-FP63G	6" by 2" Mechanical tee, grooved outlet, UL/FM, 300 psi	4800-OGFC	\$108.00
6X2-FP63G-GALV	6" by 2" Mechanical Tee, Grooved Outlet, Galvanized, UL/FM, 300 psi	4800-OGFC	\$163.00
6X2-FP63TF	6" by 2" Mechanical tee, Female NPT outlet, UL/FM, 300 psi	4800-OGFC	\$110.00
6X3-FP63G	6" by 3" Mechanical tee, grooved outlet, UL/FM, 300 psi	4800-OGFC	\$120.00
6X3-FP63TF	6" by 3" Mechanical tee, Female NPT outlet, UL/FM, 300 psi	4800-OGFC	\$136.00
8X212-FP63G	8" by 2-1/2" Mechanical tee, grooved outlet, UL/FM, 300 psi	4800-OGFC	\$183.00
8X2-FP63G	8" by 2" Mechanical tee, grooved outlet, UL/FM, 300 psi	4800-OGFC	\$183.00
8X2-FP63TF	8" by 2" Mechanical tee, Female NPT outlet, UL/FM, 300 psi	4800-OGFC	\$229.00
8X3-FP63G	8" by 3" Mechanical tee, grooved outlet, UL/FM, 300 psi	4800-OGFC	\$199.00
8X4-FP63G	8" by 4" Mechanical tee, grooved outlet, UL/FM, 300 psi	4800-OGFC	\$241.00
10-FP8	10" Grooved split ring flange adapter, UL/FM, 300 psi, class 150	4800-OGFC	\$743.00
10-FP8-GALV	10" Grooved split ring flange adapter, galvanized, UL/FM, 175 psi, class 150	4800-OGFC	\$1,151.00
212-FP8	2-1/2" Grooved split ring flange adapter, UL/FM, 300 psi, class 150	4800-OGFC	\$82.00
212-FP8-GALV	2-1/2" Grooved split ring flange adapter, galvanized, UL/FM, 300 psi, class 150	4800-OGFC	\$125.00
2-FP8	2" Grooved split ring flange adapter, UL/FM, 300 psi, class 150	4800-OGFC	\$78.00
2-FP8-GALV	2" Grooved split ring flange adapter, galvanized, UL/FM, 300 psi, class 150	4800-OGFC	\$116.00
3-FP8	3" Grooved split ring flange adapter, UL/FM, 300 psi, class 150	4800-OGFC	\$82.00
3-FP8-GALV	3" Grooved split ring flange adapter, galvanized, UL/FM, 300 psi, class 150	4800-OGFC	\$125.00
4-FP8	4" Grooved split ring flange adapter, UL/FM, 300 psi, class 150	4800-OGFC	\$102.00
4-FP8-GALV	4" Grooved split ring flange adapter, galvanized, UL/FM, 300 psi, class 150	4800-OGFC	\$156.00

6-FP8	6" Grooved split ring flange adapter, UL/FM, 300 psi, class 150	4800-OGFC	\$150.00
6-FP8-GALV	6" Grooved Split Ring Flange Adapter, Class 150, Galvanized, UL/FM, 300 psi	4800-OGFC	\$233.00
8-FP8	8" Grooved split ring flange adapter, UL/FM, 300 psi, class 150	4800-OGFC	\$267.00
8-FP8-GALV	8" Grooved split ring flange adapter, galvanized, UL/FM, 300 psi, class 150	4800-OGFC	\$413.00
10-FSC	Strainer, Flanged x Flanged, 0.125" Perforated Screen, FDA Approved Epoxy Coated Int/Ext	4800-OSTR	\$13,803.00
12IN-FSC	Strainer, Flanged x Flanged, 0.125" Perforated Screen, FDA Approved Epoxy Coated Int/Ext	4800-OSTR	\$25,149.00
212-FSC	Strainer, Flanged x Flanged, 0.045" Perforated Screen, FDA Approved Epoxy Coated Int/Ext	4800-OSTR	\$1,189.00
3-FSC	Strainer, Flanged x Flanged, 0.045" Perforated Screen, FDA Approved Epoxy Coated Int/Ext	4800-OSTR	\$1,466.00
4-FSC	Strainer, Flanged x Flanged, 0.062" Perforated Screen, FDA Approved Epoxy Coated Int/Ext	4800-OSTR	\$2,414.00
6-FSC	Strainer, Flanged x Flanged, 0.062" Perforated Screen, FDA Approved Epoxy Coated Int/Ext	4800-OSTR	\$3,936.00
8-FSC	Strainer, Flanged x Flanged, 0.125" Perforated Screen, FDA Approved Epoxy Coated Int/Ext	4800-OSTR	\$7,979.00
RK212-FSC	REPAIR KIT, 2-1/2" FSC	4800-PART	\$331.00
RK3-FSC	REPAIR KIT, 3" FSC	4800-PART	\$417.00
RK4-FSC	REPAIR KIT, 4" FSC	4800-PART	\$553.00
RK6-FSC	REPAIR KIT, 6" FSC	4800-PART	\$859.00
RK8-FSC	REPAIR KIT, 8" FSC	4800-PART	\$2,520.00
RK112-FV	Repair Kit for Fire Valves, 2100 & 2105 Models	4800-PART	\$139.00
RK212-FV	Repair Kit for Fire Valves, 3000 & 4000 Models	4800-PART	\$94.00
RK4100	Repair Kit for Fire Valves, 4100 & 4104 Models	4800-PART	\$97.00
92-25	Pressure Gauge, 1/4" MNPT, 0-100 psi	4800-OPRV	\$174.00
92-25A	Pressure Gauge, 1/8" MNPT, 0-100 psi	4800-OPRV	\$174.00
HGI-25	Pressure Gauge, 3/4" Female Hose Bibb, 0-200 psi	4800-OHYD	\$150.00
2-975XLHBM	Hydrant Backflow Meter Valve, FNH Swivel x MNH	4800-OSBF	\$12,520.00
2-975XLHBMCFM	Hydrant Backflow Meter Valve, FNH Swivel x MNH, CFM Meter	4800-OSBF	\$12,520.00
2-975XLHBMCFML	Hydrant Backflow Meter Valve, FNPT x MNPT, CFM Meter, Less Hose Connections	4800-OSBF	\$11,855.00
2-975XLHBMCFMM	Hydrant Backflow Meter Valve, FNH Swivel x MNH, Cubic Meter Register	4800-OSBF	\$12,520.00
2-975XLHBMCFMML	Hydrant Backflow Meter Valve, FNPT x MNPT, Cubic Meter, Less Hose Connections	4800-OSBF	\$11,855.00
2-975XLHBML	Hydrant Backflow Meter Valve, FNPT x MNPT, Less Hose Connections	4800-OSBF	\$11,855.00
2-975XLHBMLM	Hydrant Backflow Meter Valve, MNPT x MNH, Less Meter and Inlet Hose Connection	4800-OSBF	\$5,429.00
2-975XLHBMLML	Hydrant Backflow Meter Valve, MNPT x MNPT, Less Meter, Less Hose Connections	4800-OSBF	\$3,982.00
3-RPHBM	Hydrant Backflow Meter Valve, FNH Swivel x MNH	4800-OLBF	\$24,263.00
3-RPHBMCFM	Hydrant Backflow Meter Valve, FNH Swivel x MNH, CFM Meter	4800-OLBF	\$24,263.00
3-RPHBMCFMGV	Hydrant Backflow Meter Valve, FNH Swivel x MNH, CFM Meter, NRS Gate Valve	4800-OLBF	\$27,524.00
3-RPHBMGV	Hydrant Backflow Meter Valve, FNH Swivel x MNH, NRS Gate Valve	4800-OLBF	\$27,524.00
RK3-RPHBMC	Repair Kit, Complete, 3-RPHBM	4800-PART	\$184.00
RK3-RPHBMR	Repair Kit, Rubber, 3-RPHBM	4800-PART	\$164.00
100-HBRV-100	3/4" HOSE BIBB RLF 100PSI	4800-OHYD	\$194.00
100-HBRV-125	3/4" HOSE BIBB RLF 125 PSI	4800-OHYD	\$208.00
100-HBRV-80	3/4" HOSE BIBB RLF 80 PSI	4800-OHYD	\$194.00
HXT-15	Expansion Tank, Hydronic 1/2" MNPT, 2.1 gal	4800-OEXT	\$410.00
HXT-30	Expansion Tank, Hydronic 1/2" MNPT, 5 gal	4800-OEXT	\$601.00
HXT-60	Expansion Tank, Hydronic 1/2" MNPT, 6.5 gal	4800-OEXT	\$1,155.00
HXT-90	Expansion Tank, Hydronic 1" MNPT, 13.5 gal	4800-OEXT	\$1,830.00
ISRK212-FV	INST. SHT. REPAIR KIT FV	4800-PART	\$13.00
1MX34UFM-700XL	1" Male NPT Intl X 3/4" Union Fem Meter Thread Outlt Lead Free Dual Check	4800-OSBF	\$349.00
112-NR3DUBS	Pressure Reducing Valve, Double Union BSP Straight	4800-OPRV	\$2,346.00
112-NR3DUSPC	1-1/2" NR3 SPACER	4800-OPRV	\$219.00
112-NR3XLCG	1-1/2" NR3 PRV 25-75 PSI Single Union Cpr Swt x NPT Tap w/gauge Lead Free	4800-OPRV	\$2,544.00
112-NR3XLDUBT	1-1/2" NR3 PRV 25-75 PSI Dbl Union Fem x Fem NPT BSPT thrds Lead Free	4800-OPRV	\$2,694.00
112-NR3XLSTAND	STAND FOR 112-NR3XL	4800-OMWS	\$502.00
114-NR3DUBS	Pressure Reducing Valve, Double Union BSP Straight	4800-OPRV	\$1,321.00
114-NR3HRSCDUBS	1-1/4" NR3HRSCDU W/ BS THDS	4800-OPRV	\$1,483.00
114-NR3HRSCDUBT	1-1/4" NR3 PRV 15-150 PSI Dbl Union Fem x Fem BSPT SS trim thrds	4800-OPRV	\$1,680.00
114-NR3XLCG	1-1/4" NR3 PRV 15-75 PSI Single Union Cpr Swt x NPT Tap w/gauge Lead Free	4800-OPRV	\$1,666.00
114-NR3XLDUBT	1-1/4" NR3 PRV 15-75 PSI Dbl Union Fem x Fem BSPT thrds Lead Free	4800-OPRV	\$1,741.00
114-NR3XLDUBTP	1-1/4" NR3 PRV 15-75 PSI Dbl Union Fem x Fem BSPT thrds Tap for gauge	4800-OPRV	\$1,802.00
114-NR3XLHRSCDUBS	1-1/4" NR3 PRV 15-150 PSI Dbl Union Fem x Fem BSPP SS trim thrds Lead Free	4800-OPRV	\$1,930.00
114-NR3XLHRSCG	1-1/4" NR3 PRV 15-150 PSI Single Union Fem x Fem NPT SS trim Tap w/gauge	4800-OPRV	\$1,853.00
12-NR3DUBS	Pressure Reducing Valve, Double Union BSP Straight	4800-OPRV	\$453.00
12-NR3XLCG	1/2" NR3 PRV 15-75 PSI Single Union Cpr Swt x NPT Tap w/gauge Lead Free	4800-OPRV	\$600.00
12-NR3XLCP	1/2" NR3 PRV 15-75 PSI Single Union Cpr Swt x NPT Tap for gauge Lead Free	4800-OPRV	\$552.00
12-NR3XLDUBT	1/2" NR3 PRV 15-75 PSI Dbl Union Fem x Fem BSPT thrds Lead Free	4800-OPRV	\$518.00
12-NR3XLDUG	1/2" NR3 PRV 15-75 PSI Dbl Union Fem x Fem NPT Tap w/gauge Lead Free	4800-OPRV	\$627.00
12-NR3XLEC	1/2" NR3 PRV 15-75 PSI Single Union Fem x Fem NPT Expansion Relief Lead Free	4800-OPRV	\$675.00

12-NR3XLHRSCDUG	1/2" NR3 PRV 15-150 PSI Dbl Union Fem x Fem NPT SS trim Tap w/gauge Lead Free	4800-OPRV	\$703.00
12-NR3XLHRSCDUP	1/2" NR3 PRV 15-150 PSI Dbl Union Fem x Fem NPT SS trim Tap for gauge	4800-OPRV	\$656.00
12-NR3XLHRSCP	1/2" NR3 PRV 15-150 PSI Single Union Fem x Fem NPT SS trim Tap for gauge	4800-OPRV	\$624.00
12-NR3XLPEXF1960	1/2" NR3 PRV 15-75 PSI Single Union Pex Crimp x NPT gauge Lead Free ASTM 1960	4800-OPRV	\$495.00
12-NR3XLPEXP	1/2" NR3 PRV 15-75 PSI Single Union Pex Crimp x NPT Tap for gauge Lead Free	4800-OPRV	\$554.00
15-NR3-500	DN15 NR3 PRV 15-75 PSI Less Union Fem x Fem BSPP set at 500kpa AUS	4800-OPRV	\$291.00
15-NR3LUBS	DN15 NR3 PRV 15-75 PSI Fem x Fem BSPP thrds set at 350kpa AUS	4800-OPRV	\$291.00
1-NR3DUBS	Pressure Reducing Valve, Double Union BSP Straight	4800-OPRV	\$635.00
1-NR3XLCG	1" NR3 PRV 15-75 PSI Single Union Cpr Swt x NPT Tap w/gauge Lead Free	4800-OPRV	\$744.00
1-NR3XLCPCVG	1" NR3 PRV 15-75 PSI Single Union Fem CPVC x Fem NPT Tap w/gauge Lead Free	4800-OPRV	\$742.00
1-NR3XLDMHRSCG	1" NR3 PRV 15-150 PSI Single Union Dbl Meter Thrd SS trim Tap w/gauge LF 4" long	4800-OPRV	\$920.00
1-NR3XLDMSCG	1" NR3 PRV 15-75 PSI Single Union Dbl Meter Thrd SS trim Tap w/gauge LF 4" long	4800-OPRV	\$918.00
1-NR3XLDUBSP	1" NR3 PRV 15-75 PSI Dbl Union Fem x Fem BSPP thrds Lead Free Tap for gauge	4800-OPRV	\$742.00
1-NR3XLDUBTP	1" NR3 PRV 15-75 PSI Dbl Union Fem x Fem BSPT thrds Lead Free Tap for gauge	4800-OPRV	\$744.00
1-NR3XLDUCPEXF1960	1" NR3 PRV 15-75 PSI Dbl Union Fem Coppr Sweat x Exp PEX Tap for gauge Lead Free	4800-OPRV	\$714.00
1-NR3XLDUCPCVG	1" NR3 PRV 15-75 PSI Dbl Union Fem CPVC With Gauge Lead Free	4800-OPRV	\$938.00
1-NR3XLDUPEXF1960G	1" NR3 PRV 15-75 PSI Dbl Union Expansion F1960 Pex tap w/Gauge Lead Free	4800-OPRV	\$860.00
1-NR3XLDUPEXF1960P	1" NR3 PRV 15-75 PSI Dbl Union Expansion F1960 Pex Tap For Gauge Lead Free	4800-OPRV	\$745.00
1-NR3XLDUPEXP	1" NR3 PRV 15-75 PSI Dbl Union Pex Crimp Tap for gauge Lead Free	4800-OPRV	\$815.00
1-NR3XLECLU	1" NR3 PRV 15-75 PSI Union Capable Fem x Fem NPT Expansion Relief Lead Free	4800-OPRV	\$824.00
1-NR3XLHRSCDUCP	1" NR3 PRV 15-150 PSI Dbl Union Fem x Fem Coppr Sweat SS trim Tap for gauge	4800-OPRV	\$821.00
1-NR3XLHRSCDUG	1" NR3 PRV 15-150 PSI Dbl Union Fem x Fem NPT SS trim Tap w/gauge Lead Free	4800-OPRV	\$868.00
1-NR3XLHRSCDULUG	1" NR3 PRV 15-150 PSI Single Union Capable Fem x Fem NPT SS trim Tap w/gauge	4800-OPRV	\$772.00
1-NR3XLHRSCG	1" NR3 PRV 15-150 PSI Single Union Fem x Fem NPT SS trim Tap w/gauge Lead Free	4800-OPRV	\$882.00
1-NR3XLHRSCP	1" NR3 PRV 15-150 PSI Single Union Fem x Fem NPT SS trim Tap for gauge	4800-OPRV	\$777.00
1-NR3XLPEXF1960	1" NR3 PRV 15-75 PSI Single Union F1960 Expansion Pex Lead Free	4800-OPRV	\$691.00
1-NR3XLPEXF1960P	1" NR3 PRV 15-75 PSI Single Union F1960 Exp PEX Tap for Gauge Lead Free	4800-OPRV	\$763.00
1-NR3XLPEXP	1" NR3 PRV 15-75 PSI Single Union Pex Crimp x NPT Tap for gauge Lead Free	4800-OPRV	\$760.00
20-NR3-500	DN20 NR3 PRV 15-75 PSI Less Union Fem x Fem BSPP set at 500kpa AUS	4800-OPRV	\$345.00
20-NR3LUBS	DN20 NR3 PRV 15-75 PSI Fem x Fem BSPP thrds set at 350kpa AUS	4800-OPRV	\$345.00
20-REMXL-RA	20mm (3/4") REM PRV Fem BSPT Thread Right Angle Body, Lead Free	4800-OPRV	\$227.00
25-NR3-500	DN25 NR3 PRV 15-75 PSI Less Union Fem x Fem BSPP set at 500kpa AUS	4800-OPRV	\$359.00
25-NR3LUBS	DN25 NR3 PRV 15-75 PSI Fem x Fem BSPP thrds set at 350kpa AUS	4800-OPRV	\$359.00
2-NR3DUSPC	2" NR3 SPACER NIPPLE	4800-OPRV	\$234.00
2-NR3XLCG	2" NR3 PRV 25-75 PSI Single Union Cpr Swt x NPT Tap w/gauge Lead Free	4800-OPRV	\$3,398.00
2-NR3XLDUBT	2" NR3 PRV 25-75 PSI Dbl Union Fem x Fem NPT BSPT thrds Lead Free	4800-OPRV	\$3,341.00
2-NR3XLDULUG	2" NR3 PRV 25-75 PSI Union Capable Fem x Fem NPT Tap w/gauge Lead Free	4800-OPRV	\$2,234.00
32-NR3-500	DN32 NR3 PRV 15-75 PSI Less Union Fem x Fem BSPP set at 500kpa AUS	4800-OPRV	\$665.00
32-NR3LUBS	DN32 NR3 PRV 15-75 PSI Fem x Fem BSPP thrds set at 350kpa AUS	4800-OPRV	\$665.00
34-NR3DUBS	Pressure Reducing Valve, Double Union BSP Straight	4800-OPRV	\$462.00
34-NR3HRSCDUBS	3/4" NR3 PRV 15-150 PSI Dbl Union Fem x Fem BSPP SS trim thrds Non Potable	4800-OPRV	\$604.00
34-NR3HRSCDUBT	3/4" NR3 PRV 15-150 PSI Dbl Union Fem x Fem BSPT SS trim thrds Non Potable	4800-OPRV	\$527.00
34-NR3XL-BP	3/4" NR3 PRV 15-150 PSI ACV bypass valve w/Brass PRXL bell	4800-OPRV	\$487.00
34-NR3XLCG	3/4" NR3 PRV 15-75 PSI Single Union Cpr Swt x NPT Tap w/gauge Lead Free	4800-OPRV	\$602.00
34-NR3XLCPCVG	3/4" NR3 PRV 15-75 PSI Single Union Fem CPVC x Fem NPT Tap w/gauge Lead Free	4800-OPRV	\$602.00
34-NR3XLDMP	3/4" NR3 PRV 15-75 PSI Single Union Dbl Meter Thrd Tap for gauge LF 3-5/8" long	4800-OPRV	\$621.00
34-NR3XLDMSCG	Depleting, 3/4" NR3XL RPV DOUBLE METER SEALED CAGE W/GAUGE LEAD FREE	4800-OPRV	\$714.00
34-NR3XLDUBSP	3/4" NR3 PRV 15-75 PSI Dbl Union Fem x Fem BSPP thrds Tap for gauge	4800-OPRV	\$591.00
34-NR3XLDUCPEXF1960	3/4" NR3 PRV 15-75 PSI Dbl Union Fem x Fem F1960 Expansion PEX Tap for gauge LF	4800-OPRV	\$529.00
34-NR3XLDUCPCVG	3/4" NR3 PRV 15-75 PSI Dbl Union Fem CPVC With Gauge Lead Free	4800-OPRV	\$806.00
34-NR3XLDUPEX-60	3/4" NR3 PRV 15-75 PSI set 60psi Dbl Union Pex Crimp Lead Free	4800-OPRV	\$529.00
34-NR3XLDUPEX-65P	3/4" NR3 PRV 15-75 PSI set 65psi Dbl Union Pex Crimp Lead Free	4800-OPRV	\$529.00

34-NR3XLDUPEXF1960P	3/4" NR3 PRV 15-75 PSI Dbl Union F1960 Expansion Pex Tap for gauge Lead Free	4800-OPRV	\$541.00
34-NR3XLDUPEXG	3/4" NR3 PRV 15-75 PSI Dbl Union Pex Crimp Tap w/ gauge Lead Free	4800-OPRV	\$529.00
34-NR3XLDUPRG	3/4" NR3 PRV 15-75 PSI Dbl Union PressFit x PressFit W/ Gauge Lead Free	4800-OPRV	\$700.00
34-NR3XLHRSCCG	3/4" NR3 PRV 15-150 PSI Single Union Cpr Swt x NPT SS trim Tap w/ gauge	4800-OPRV	\$677.00
34-NR3XLHRSCCP	3/4" NR3 PRV 15-150 PSI Single Union Cpr Swt x NPT SS trim Tap for gauge	4800-OPRV	\$630.00
34-NR3XLHRSCDULUP	3/4" NR3 PRV 15-150 PSI Union Capable Fem x Fem NPT SS trim Tap for gauge	4800-OPRV	\$593.00
34-NR3XLHRSCDUPR	3/4" NR3 PRV 15-150 PSI Dbl Union PressFit x PressFit SS trim Lead Free	4800-OPRV	\$672.00
34-NR3XLHRSCP	3/4" NR3 PRV 15-150 PSI Single Union Fem x Fem NPT SS trim Tap for gauge	4800-OPRV	\$630.00
34-NR3XLPEXF1960	3/4" NR3 PRV 15-75 PSI Single Union F1960 Expansion PEX x NPT Lead Free	4800-OPRV	\$477.00
34-NR3XLPEXF1960P	3/4" NR3 PRV 15-75 PSI Single Union F1960 Exp PEX x NPT Tap for Gauge Lead Free	4800-OPRV	\$549.00
34-NR3XLPEXP	3/4" NR3 PRV 15-75 PSI Single Union Pex Crimp x NPT Tap for gauge Lead Free	4800-OPRV	\$554.00
34-NR3XLSTAND	STAND FOR 34-NR3XL	4800-OMWS	\$461.00
34-NR3XLSTAND-P	STAND FOR 34-NR3XLEMO-P	4800-OMWS	\$461.00
40-NR3-500	DN40 NR3 PRV 15-75 PSI Less Union Fem x Fem BSPP Non Potable set at 500kpa AUS	4800-OPRV	\$984.00
40-NR3LUBS	DN40 NR3 PRV 15-75 PSI Fem x Fem BSPP thrds Non Potable	4800-OPRV	\$984.00
50-NR3-500	DN50 NR3 PRV 15-75 PSI Less Union Fem x Fem BSPP Non Potable set at 500kpa AUS	4800-OPRV	\$1,269.00
50-NR3LUBS	DN50 NR3 PRV 15-75 PSI Fem x Fem BSPP thrds Non Potable	4800-OPRV	\$1,269.00
112-NR3XL	Pressure Reducing Valve, Lead-Free, FNPT Union x FNPT	4800-OPRV	\$2,369.00
112-NR3XLC	Pressure Reducing Valve, Lead-Free, Female CU SWT Union x FNPT	4800-OPRV	\$2,429.00
112-NR3XLCPC	1-1/2" NR3XLC TAP W/PLUG LEAD FREE112"NR3XLCCTAPWPLUGLE	4800-OPRV	\$2,495.00
112-NR3XLDU	Pressure Reducing Valve, Lead-Free, Double Union FNPT	4800-OPRV	\$2,697.00
112-NR3XLDUC	Pressure Reducing Valve, Lead-Free, Double Union Female CU SWT	4800-OPRV	\$2,811.00
112-NR3XLDUCG	1-1/2" NR3XLDUC PLUG W/GAUGE LF112"NR3XLDUCPLUGWGAU	4800-OPRV	\$2,927.00
112-NR3XLDUCPC	1-1/2" NR3XL CXC W/PLUG LEAD FREE	4800-OPRV	\$2,880.00
112-NR3XLDUG	1-1/2" NR3XLDU TAPPED W/GAUGE LF112"NR3XLDUTAPPEDWGA	4800-OPRV	\$2,805.00
112-NR3XLDULU	Pressure Reducing Valve, Lead-Free, FNPT x FNPT, Less Unions Nut & Tailpiece	4800-OPRV	\$2,048.00
112-NR3XLDULUP	1-1/2" NR3XL DULU W/ PLUG LEAD FREE	4800-OPRV	\$2,117.00
112-NR3XLDUP	Pressure Reducing Valve, Lead-Free, Double Union FNPT, Plug	4800-OPRV	\$2,761.00
112-NR3XLG	1-1/2" NR3XL PLUGGED W/GAUGE LF112"NR3XLPLUGGEDWGAU	4800-OPRV	\$2,482.00
112-NR3XLP	1-1/2" NR3XL W/ PLUG LEAD FREE	4800-OPRV	\$2,438.00
114-NR3XL	Pressure Reducing Valve, Lead-Free, FNPT Union x FNPT	4800-OPRV	\$1,551.00
114-NR3XLC	Pressure Reducing Valve, Lead-Free, Female CU SWT Union x FNPT	4800-OPRV	\$1,551.00
114-NR3XLCPC	1-1/4" NR3XLC TAP W/PLUG LEAD FREE114"NR3XLCCTAPWPLUGLE	4800-OPRV	\$1,620.00
114-NR3XLDU	Pressure Reducing Valve, Lead-Free, Double Union FNPT	4800-OPRV	\$1,743.00
114-NR3XLDUC	Pressure Reducing Valve, Lead-Free, Double Union Female CU SWT	4800-OPRV	\$1,745.00
114-NR3XLDUCG	1-1/4" NR3XLDUC PLUG W/GAUGE LF114"NR3XLDUCPLUGWGAU	4800-OPRV	\$1,853.00
114-NR3XLDUCPC	1-1/4" NR3XL CXC W/PLUG LEAD FREE	4800-OPRV	\$1,808.00
114-NR3XLDUG	1-1/4" NR3XLDU TAPPED W/GAUGE LF114"NR3XLDUTAPPEDWGA	4800-OPRV	\$1,852.00
114-NR3XLDULU	Pressure Reducing Valve, Lead-Free, FNPT x FNPT, Less Unions Nut & Tailpiece	4800-OPRV	\$1,384.00
114-NR3XLDULUP	1-1/4" NR3XL DULU W/ PLUG LEAD FREE	4800-OPRV	\$1,451.00
114-NR3XLDUP	Pressure Reducing Valve, Lead-Free, Double Union FNPT, Plug	4800-OPRV	\$1,806.00
114-NR3XLG	1-1/4" NR3XL PLUGGED W/GAUGE LF114"NR3XLPLUGGEDWGAU	4800-OPRV	\$1,663.00
114-NR3XLHRSC	Pressure Reducing Valve, Lead-Free, FNPT Union x FNPT, Sealed Cage, SS Adj Screw, 15-150psi	4800-OPRV	\$1,745.00
114-NR3XLHRSCC	Pressure Reducing Valve, Lead-Free, Female CU SWT Union x FNPT, Sealed Cage, SS Adj Screw, 15-150psi	4800-OPRV	\$1,745.00
114-NR3XLHRSCDU	Pressure Reducing Valve, Lead-Free, Double Union FNPT, Sealed Cage, SS Adj Screw, 15-150psi	4800-OPRV	\$1,936.00
114-NR3XLHRSCDUC	Pressure Reducing Valve, Lead-Free, Double Union Female CU SWT, Sealed Cage, SS Adj Screw, 15-150psi	4800-OPRV	\$1,937.00
114-NR3XLHRSCDUG	1-1/4"NR3XLHRSC DU TAP W/GAUGE LF114"NR3XLHRSCDUTAPWG	4800-OPRV	\$2,044.00
114-NR3XLHRSCDULU	Pressure Reducing Valve, Lead-Free, FNPT x FNPT, Sealed Cage, SS Adj Screw, Less Unions, 15-150psi	4800-OPRV	\$1,577.00
114-NR3XLHRSCDUP	1-1/4"NR3XLHRSC DU TAP W/PLUG LF114"NR3XLHRSCDUTAPWP	4800-OPRV	\$2,000.00
114-NR3XLP	1-1/4" NR3XL W/ PLUG LEAD FREE	4800-OPRV	\$1,620.00
12-NR3XL	Pressure Reducing Valve, Lead-Free, FNPT Union x FNPT	4800-OPRV	\$486.00
12-NR3XLC	Pressure Reducing Valve, Lead-Free, Female CU SWT Union x FNPT	4800-OPRV	\$495.00
12-NR3XLDU	Pressure Reducing Valve, Lead-Free, Double Union FNPT	4800-OPRV	\$518.00
12-NR3XLDUC	Pressure Reducing Valve, Lead-Free, Double Union Female CU SWT	4800-OPRV	\$529.00
12-NR3XLDUCG	1/2" NR3XLDUC PLUG W/GAUGE LEAD FREE12"NR3XLDUCPLUGWGAUG	4800-OPRV	\$635.00
12-NR3XLDUCPC	1/2" NR3XL CXC W/PLUG LEAD FREE	4800-OPRV	\$593.00
12-NR3XLDUCPV	1/2" NR3XLDU W/CPVC LEAD FREE	4800-OPRV	\$518.00
12-NR3XLDULU	Pressure Reducing Valve, Lead-Free, FNPT x FNPT, Less Unions Nut & Tailpiece	4800-OPRV	\$446.00
12-NR3XLDULUP	1/2" NR3XL W/PLUG LEAD FREE	4800-OPRV	\$512.00

12-NR3XLDUP	Pressure Reducing Valve, Lead-Free, Double Union FNPT, Plug	4800-OPRV	\$585.00
12-NR3XLDUPEX	1/2" NR3XLDU W/PEX, LEAD FREE12"NR3XLDUWPEXLEADFR	4800-OPRV	\$518.00
12-NR3XLDUPF	Pressure Reducing Valve, Lead-Free, Z-Bite (Push x Push)	4800-OPRV	\$564.00
12-NR3XLECDU	1/2" NR3XLEC PRV DBL UNION LEAD FREE	4800-OPRV	\$710.00
12-NR3XLG	1/2" NR3XL PLUGGED W/GAUGE LF12"NR3XLPLUGGEDWGAUG	4800-OPRV	\$596.00
12-NR3XLHRSC	Pressure Reducing Valve, Lead-Free, FNPT Union x FNPT, Sealed Cage, SS Adj Screw, 15-150psi	4800-OPRV	\$562.00
12-NR3XLHRSCC	Pressure Reducing Valve, Lead-Free, Female CU SWT Union x FNPT, Sealed Cage, SS Adj Screw, 15-150psi	4800-OPRV	\$565.00
12-NR3XLHRSCDU	Pressure Reducing Valve, Lead-Free, Double Union FNPT, Sealed Cage, SS Adj Screw, 15-150psi	4800-OPRV	\$596.00
12-NR3XLHRSCDUBS	1/2" NR3XLHRSCDU W/BSP THD	4800-OPRV	\$565.00
12-NR3XLHRSCDUC	Pressure Reducing Valve, Lead-Free, Double Union Female CU SWT, Sealed Cage, SS Adj Screw, 15-150psi	4800-OPRV	\$604.00
12-NR3XLHRSCDULU	Pressure Reducing Valve, Lead-Free, FNPT x FNPT, Sealed Cage, SS Adj Screw, Less Unions, 15-150psi	4800-OPRV	\$497.00
12-NR3XLHRSCDULUP	1/2" NR3XL HI RING, S. CAGE, DULU W/PLUG	4800-OPRV	\$585.00
12-NR3XLP	1/2" NR3XL W/ PLUG LEAD FREE	4800-OPRV	\$554.00
1-NR3XL	Pressure Reducing Valve, Lead-Free, FNPT Union x FNPT	4800-OPRV	\$635.00
1-NR3XLBDVC	1" NR3XL W/BV W/705 LEAD FREE	4800-OPRV	\$815.00
1-NR3XLC	Pressure Reducing Valve, Lead-Free, Female CU SWT Union x FNPT	4800-OPRV	\$633.00
1-NR3XLCPC	1" NR3XLC TAP W/PLUG LEAD FREE1"NR3XLCCTAPWPLUGLEAD	4800-OPRV	\$702.00
1-NR3XLCPCVC	Pressure Reducing Valve, Lead-Free, CPVC Union x FNPT	4800-OPRV	\$635.00
1-NR3XLDM	Pressure Reducing Valve, Lead-Free, Double Male Meter Threads, Sealed Cage, SS Adj Screw	4800-OPRV	\$749.00
1-NR3XLDMG	1" NR3 PRV 15-75 PSI Single Union Dbl Meter Thrd Lead Free 4" long w/gauge	4800-OPRV	\$786.00
1-NR3XLDMHRSC	1" NR3XLHRSC DOUBLE MTR LF1"NR3XLHRSCDOUBLEMTR	4800-OPRV	\$1,019.00
1-NR3XLDMSS	1" NR3XL, DBL METER, SS TRIM	4800-OPRV	\$830.00
1-NR3XLDU	Pressure Reducing Valve, Lead-Free, Double Union FNPT	4800-OPRV	\$683.00
1-NR3XLDUBT	1" NR3XL PRV DOUBLE UN W/BSP THD LEAD FREE	4800-OPRV	\$714.00
1-NR3XLDUC	Pressure Reducing Valve, Lead-Free, Double Union Female CU SWT	4800-OPRV	\$681.00
1-NR3XLDUCG	1" NR3XLDU CXC PLUGGED W/GAUGE LF1"NR3XLDUCXCPUGGEDW	4800-OPRV	\$731.00
1-NR3XLDUCPC	Pressure Reducing Valve, Lead-Free, Double Union Female CU SWT, Plug	4800-OPRV	\$742.00
1-NR3XLDUCPEX	Pressure Reducing Valve, Lead-Free, Female CU SWT Union x PEX Union	4800-OPRV	\$714.00
1-NR3XLDUCPVC	Pressure Reducing Valve, Lead-Free, Double Union CPVC	4800-OPRV	\$749.00
1-NR3XLDUG	1" NR3XLDU PLUGGED W/ GAUGE LF	4800-OPRV	\$789.00
1-NR3XLDULU	Pressure Reducing Valve, Lead-Free, FNPT x FNPT, Less Unions Nut & Tailpiece	4800-OPRV	\$585.00
1-NR3XLDULUG	1" NR3XL PRV DULU W/GAUGE LEAD FREE	4800-OPRV	\$691.00
1-NR3XLDULUP	Pressure Reducing Valve, Lead-Free, FNPT x FNPT, Less Union Nut & Tailpiece, Plug	4800-OPRV	\$714.00
1-NR3XLDUP	Pressure Reducing Valve, Lead-Free, Double Union FNPT, Plug	4800-OPRV	\$744.00
1-NR3XLDUPEX	Pressure Reducing Valve, Lead-Free, Double Union PEX	4800-OPRV	\$749.00
1-NR3XLDUPEXG	1" NR3XL PRV DBL UNION PLUGGED W/ PEX & GAUGE LEAD FREE	4800-OPRV	\$856.00
1-NR3XLDUPF	Pressure Reducing Valve, Lead-Free, Z-Bite (Push x Push)	4800-OPRV	\$846.00
1-NR3XLDUPR	Pressure Reducing Valve, Lead-Free, Z-Press (Press x Press)	4800-OPRV	\$789.00
1-NR3XLDUPRG	1" NR3 PRV 15-75 PSI Dbl Union Fem x Fem PressFit w/ Gauge Lead Free	4800-OPRV	\$908.00
1-NR3XLDUR	1" NR3XLDU RETAIL COLOR	4800-OPRV	\$782.00
1-NR3XLEC	1" NR3XL W/THERMAL EXPANSION CONTROL VALVE	4800-OPRV	\$677.00
1-NR3XLECDUC	1" NR3XL W/THERMAL EXPANSION CNTRL VLV, DBL UNION CXC LEAD FREE	4800-OPRV	\$686.00
1-NR3XLECDUPEX	1" NR3XLEC DBL UNION W/PEX LEAD FREE	4800-OPRV	\$937.00
1-NR3XLG	1" NR3XL PLUGGED W/GAUGE LF1"NR3XLPLUGGEDWGAUGE	4800-OPRV	\$742.00
1-NR3XLHRSC	Pressure Reducing Valve, Lead-Free, FNPT Union x FNPT, Sealed Cage, SS Adj Screw, 15-150psi	4800-OPRV	\$714.00
1-NR3XLHRSCC	Pressure Reducing Valve, Lead-Free, Female CU SWT Union x FNPT, Sealed Cage, SS Adj Screw, 15-150psi	4800-OPRV	\$713.00
1-NR3XLHRSCDU	Pressure Reducing Valve, Lead-Free, Double Union FNPT, Sealed Cage, SS Adj Screw, 15-150psi	4800-OPRV	\$761.00
1-NR3XLHRSCDUBS	1" NR3XLHRSCDU W/BSP THD	4800-OPRV	\$706.00
1-NR3XLHRSCDUC	Pressure Reducing Valve, Lead-Free, Double Union Female CU SWT, Sealed Cage, SS Adj Screw, 15-150psi	4800-OPRV	\$761.00
1-NR3XLHRSCDULU	Pressure Reducing Valve, Lead-Free, FNPT x FNPT, Sealed Cage, SS Adj Screw, Less Unions, 15-150psi	4800-OPRV	\$665.00
1-NR3XLHRSCDUP	1" NR3XLHRSCDU, PLUGGED	4800-OPRV	\$829.00
1-NR3XLHRSCDUPPEXF1960	1" NR3 PRV 15-150 PSI Dbl Union Fem x Fem NPT SS Trim Lead Free	4800-OPRV	\$787.00
1-NR3XLHRSCDUPFP	1" NR3XL PRV HIGH RANGE, SEALED CAGE, DU TAP W/ PLUG LF, PUSH FIT	4800-OPRV	\$889.00
1-NR3XLP	1" NR3XL W/PLUG LEAD FREE	4800-OPRV	\$703.00
1-NR3XLPEX	Pressure Reducing Valve, Lead-Free, PEX Union x FNPT	4800-OPRV	\$691.00
1-NR3XLR	1" NR3XL RETAIL 4 COLOR	4800-OPRV	\$729.00
2-NR3XL	Pressure Reducing Valve, Lead-Free, FNPT Union x FNPT	4800-OPRV	\$2,897.00
2-NR3XL-BAA	2" NR3 PRV 25-75 PSI Single Union Fem x Fem NPT Lead Free, BAA Compliant	4800-OPRV	\$3,187.00
2-NR3XLC	Pressure Reducing Valve, Lead-Free, Female CU SWT Union x FNPT	4800-OPRV	\$3,290.00
2-NR3XLCPC	2" NR3XLC TAP W/PLUG LEAD FREE2"NR3XLCCTAPWPLUGLEAD	4800-OPRV	\$3,355.00
2-NR3XLDU	Pressure Reducing Valve, Lead-Free, Double Union FNPT	4800-OPRV	\$3,342.00
2-NR3XLDUC	Pressure Reducing Valve, Lead-Free, Double Union Female CU SWT	4800-OPRV	\$3,836.00
2-NR3XLDUCG	2" NR3XLDUC PLUG W/GAUGE LF2"NR3XLDUCPLUGWGAUGE	4800-OPRV	\$3,943.00
2-NR3XLDUCPV	2" NR3XL CXC W/PLUG LEAD FREE	4800-OPRV	\$3,903.00
2-NR3XLDUG	2" NR3XLDU TAPPED W/GAUGE LF.2"NR3XLDUTAPPEDWGAUG	4800-OPRV	\$3,449.00

2-NR3XLDULU	Pressure Reducing Valve, Lead-Free, FNPT x FNPT, Less Unions Nut & Tailpiece	4800-OPRV	\$2,459.00
2-NR3XLDULUP	2" NR3XL DULU W/PLUG LEAD FREE	4800-OPRV	\$2,518.00
2-NR3XLDUP	Pressure Reducing Valve, Lead-Free, Double Union FNPT, Plug	4800-OPRV	\$3,405.00
2-NR3XLG	2" NR3XL, PLUGGED W/GAUGE LF2"NR3XLPLUGGEDWGAUGE	4800-OPRV	\$3,005.00
2-NR3XLP	2" NR3XL W/ PLUG LEAD FREE	4800-OPRV	\$2,958.00
34-NR3XL	Pressure Reducing Valve, Lead-Free, FNPT Union x FNPT	4800-OPRV	\$487.00
34-NR3XLC	Pressure Reducing Valve, Lead-Free, Female CU SWT Union x FNPT	4800-OPRV	\$495.00
34-NR3XLPVC	Pressure Reducing Valve, Lead-Free, CPVC Union x FNPT	4800-OPRV	\$495.00
34-NR3XLD	Pressure Reducing Valve, Lead-Free, Double Male Meter Threads, Sealed Cage, SS Adj Screw	4800-OPRV	\$555.00
34-NR3XLDMHRS	3/4" NR3XLD HI RING SEAL CAGE LF34"NR3XLDHMRHNGSEALC	4800-OPRV	\$833.00
34-NR3XLDU	Pressure Reducing Valve, Lead-Free, Double Union FNPT	4800-OPRV	\$529.00
34-NR3XLDUC	Pressure Reducing Valve, Lead-Free, Double Union Female CU SWT	4800-OPRV	\$529.00
34-NR3XLDUCG	3/4"NR3XL DUC PLUG W/GAUGE LF34"NR3XLDUCPLUGWGAUG	4800-OPRV	\$635.00
34-NR3XLDUCP	3/4" NR3XL CXC W/PLUG LEAD FREE	4800-OPRV	\$596.00
34-NR3XLDUCPEX	Pressure Reducing Valve, Lead-Free, Female CU SWT Union x PEX Union	4800-OPRV	\$534.00
34-NR3XLDUCPVC	Pressure Reducing Valve, Lead-Free, CPVC Union x FNPT	4800-OPRV	\$615.00
34-NR3XLDUG	3/4" NR3XLDU W/GAUGE LEAD FREE34"NR3XLDUGWGAUGELEAD	4800-OPRV	\$635.00
34-NR3XLDULU	Pressure Reducing Valve, Lead-Free, FNPT x FNPT, Less Unions Nut & Tailpiece	4800-OPRV	\$450.00
34-NR3XLDULUP	3/4" NR3XL DULU W/PLUG LEAD FREE	4800-OPRV	\$517.00
34-NR3XLDUP	Pressure Reducing Valve, Lead-Free, Double Union FNPT, Plug	4800-OPRV	\$596.00
34-NR3XLDUPPEX	Pressure Reducing Valve, Lead-Free, Double Union PEX	4800-OPRV	\$534.00
34-NR3XLDUPPEXP	3/4" NR3XL PRV DU W/PLUG & PEX LEAD FREE	4800-OPRV	\$593.00
34-NR3XLDUPF	Pressure Reducing Valve, Lead-Free, Z-Bite (Push x Push)	4800-OPRV	\$613.00
34-NR3XLDUPFG	3/4" NR3 PRV 15-75 PSI Dbl Union Fem x Fem Push Fit Tap with gauge Lead Free	4800-OPRV	\$803.00
34-NR3XLDUPFP	3/4" NR3 PRV 15-75 PSI Dbl Union Fem x Fem Push Fit Tap for gauge Lead Free	4800-OPRV	\$685.00
34-NR3XLDUPR	Pressure Reducing Valve, Lead-Free, Z-Press (Press x Press)	4800-OPRV	\$596.00
34-NR3XLDUR	3/4" NR3XLDU RETAIL 4 COLOR	4800-OPRV	\$604.00
34-NR3XLE	3/4" NR3XLE LEAD FREE34"NR3XLELEADFREE	4800-OPRV	\$655.00
34-NR3XLECDU	3/4" NR3XLECDL UNION LEAD FREE34"NR3XLECDLUNIONLEAD	4800-OPRV	\$691.00
34-NR3XLECDUC	3/4" NR3XLECD PRV DBL UNION W/CXC LEAD FREE	4800-OPRV	\$660.00
34-NR3XLG	3/4" NR3XL, PLUGGED W/GAUGE LF34"NR3XLPLUGGEDWGAUG	4800-OPRV	\$602.00
34-NR3XLHRS	Pressure Reducing Valve, Lead-Free, FNPT Union x FNPT, Sealed Cage, SS Adj Screw, 15-150psi	4800-OPRV	\$565.00
34-NR3XLHRSC	Pressure Reducing Valve, Lead-Free, Female CU SWT Union x FNPT, Sealed Cage, SS Adj Screw, 15-150psi	4800-OPRV	\$572.00
34-NR3XLHRSCDU	Pressure Reducing Valve, Lead-Free, Double Union FNPT, Sealed Cage, SS Adj Screw, 15-150psi	4800-OPRV	\$607.00
34-NR3XLHRSCDUBS	3/4" NR3XLHRSCDU W/BSPP THD	4800-OPRV	\$577.00
34-NR3XLHRSCDUC	Pressure Reducing Valve, Lead-Free, Double Union Female CU SWT, Sealed Cage, SS Adj Screw, 15-150psi	4800-OPRV	\$607.00
34-NR3XLHRSCDULU	Pressure Reducing Valve, Lead-Free, FNPT x FNPT, Sealed Cage, SS Adj Screw, Less Unions, 15-150psi	4800-OPRV	\$529.00
34-NR3XLHRSCDUP	3/4" NR3XL PRV HIGH RANGE, SEALED CAGE W/PEX LEAD FREE	4800-OPRV	\$615.00
34-NR3XLHRSCDUPXF1960	3/4" NR3 PRV 15-150 PSI Dbl Union Fem X Fem NPT SS Trim Lead Free	4800-OPRV	\$615.00
34-NR3XLHRCG	3/4" NR3XL HIGH RANGE, SEALED CAGE W/GAUGE	4800-OPRV	\$676.00
34-NR3XLP	3/4" NR3XL W/ PLUG LEAD FREE	4800-OPRV	\$555.00
34-NR3XLPEX	Pressure Reducing Valve, Lead-Free, PEX Union x FNPT	4800-OPRV	\$495.00
34-NR3XLR	3/4" NR3XL RETAIL 4 COLOR	4800-OPRV	\$562.00
RFK-114NR3XL	RETRO FIT KIT, 1-1/4" NR3XLRETROFITKIT114"NR3XL	4800-PART	\$79.00
RK112-NR3XL	PRV Repair Kit, Lead-Free - NR3XL	4800-PART	\$310.00
RK114-NR3XL	PRV Repair Kit, Lead-Free - NR3XL	4800-PART	\$163.00
RK114-NR3XLHRS	REPAIR KIT, 1-1/4" NR3XL HIGH RANGE SEAL CAGE	4800-PART	\$299.00
RK12-NR3XL	PRV Repair Kit, Lead-Free - NR3XL	4800-PART	\$82.00
RK12-NR3XLHRS	REPAIR KIT, 1/2" NR3XL HIGH RANGE SEAL CAGE	4800-PART	\$182.00
RK1-NR3XL	PRV Repair Kit, Lead-Free - NR3XL	4800-PART	\$116.00
RK1-NR3XLHRS	REPAIR KIT, 1" NR3XL HI RING, SEALED CAGE	4800-PART	\$201.00
RK2-NR3XL	PRV Repair Kit, Lead-Free - NR3XL	4800-PART	\$354.00
RK34-NR3XL	PRV Repair Kit, Lead-Free - NR3XL	4800-PART	\$95.00
RK34-NR3XLHRS	REPAIR KIT, 3/4" NR3XL HIGH RANGE SEAL CAGE	4800-PART	\$164.00
RK34-NR3XLPK	REP KIT, 3/4" NR3XL LF PRO-KITREPKIT34"NR3XLFPROK	4800-PART	\$156.00
1-NR3XL-70	1" NR3XL PRV SET AT 70 PSI	4800-OPRV	\$635.00
34-NR3XLP	3/4" NR3XL TAP W/PLUG LEAD FREE	4800-OPRV	\$534.00
1-NR3XLDUPXF1960	1" NR3XL PRV DOUBLE UN PEX-F1960 LEAD FREE	4800-OPRV	\$749.00
34-NR3XLDUPXF1960	3/4" NR3XL PRV DOUBLE UN PEX-F1960 LEAD FREE	4800-OPRV	\$534.00
OSY-40	Supervisory Switch, OS&Y Valve, Potter OSYSU-2	4800-OMWS	\$1,386.00
P1000AXL-125C	3/4" RV 125 PSI CA# FWL-2 LEAD FREE	4800-OTPV	\$91.00
P1000AXL-150C	3/4" RV 150 PSI CA# FWL-2 LEAD FREE	4800-OTPV	\$91.00
P1000AXL-30C	3/4" RV 30 PSI CA # F-30 LEAD FREE	4800-OTPV	\$91.00
P1000AXL-75C	3/4" RV 75 PSI CA# FWL-2 LEAD FREE	4800-OTPV	\$99.00
PB-40	POWERBALL BUTTERFLY GEAR BOX W/SUPERVISORY SWITCH, 2" (RETRO)	4800-OMWS	\$1,499.00
PF1-19XL-100	Tailpiece Kit, 1/2" Push Fit	4800-OPRV	\$62.00
PF2-19XL-100	Tailpiece Kit, 3/4" Push Fit	4800-OPRV	\$89.00
PF3-19XL-100	Tailpiece Kit, 1" Push Fit	4800-OPRV	\$144.00
12-P1500XL	1/2" P1500XL LEAD FREE	4800-OTPV	\$281.00
34-P1500XL	3/4" P1500XL LEAD FREE	4800-OTPV	\$290.00
12-P1520XL-100	1/2" P1520XL 100 PSI LEAD FREE	4800-OTPV	\$283.00
12-P1520XL-50	1/2" P1520XL 50 PSI LEAD FREE	4800-OTPV	\$283.00
34-P1520XL-100	3/4" P1520XL 100 PSI LEAD FREE	4800-OTPV	\$256.00
12-P1550XL-100	1/2" P1550XL 100 PSI LEAD FREE	4800-OTPV	\$146.00
12-P1550XL-125	1/2" P1550XL 125 PSI LEAD FREE	4800-OTPV	\$132.00

12-P1550XL-75	1/2" P1550XL 75 PSI LEAD FREE	4800-OTPV	\$146.00
34-P1550XL-125	3/4" P1550XL 125 PSI LEAD FREE	4800-OTPV	\$168.00
34-P1550XL-75	3/4" P1550XL 75 PSI LEAD FREE	4800-OTPV	\$168.00
18-P1560XL-100	RELIEF VALVE, 1/8" 100PSI LEAD FREE	4800-OTPV	\$132.00
18-P1560XL-125	RELIEF VALVE, 1/8" 125PSI LEAD FREE	4800-OTPV	\$139.00
18-P1560XL-80	RELIEF VALVE, 1/8" 80PSI LEAD FREE	4800-OTPV	\$132.00
18X14-4ASS	1/8" X 1/4" ADAPTER NIPPLE, SS (MCM-48805K252)	4800-OACV	\$243.00
12-P4000AHRSP	1/2" SS RELIEF VALVE UL/FM 150 - 300 PSI	4800-OACV	\$2,507.00
12-P4000ASP	1/2" SS RELIEF VALVE UL/FM 50 - 200 PSI	4800-OACV	\$2,398.00
12-PV-PRDST-25	1/2" SS Pilot Vlv Pressure Red. 5-25 PSI	4800-OACV	\$2,495.00
12-SSST	1/2" stainless steel Y strainer	4800-OACV	\$556.00
34-P4000ASP	3/4" SS RELIEF VALVE UL/FM 50 - 200 PSI	4800-OACV	\$2,841.00
34-P4000AV	3/4" RELIEF VALVE, VITON UL/FM 50 - 200 PSI	4800-OACV	\$2,172.00
34-PV-PRD-25	3/4" PILOT VLV PRESSURE REDUC. 5-25 PSI	4800-OACV	\$1,302.00
12-P4000A	1/2" RELIEF VALVE UL/FM 50 - 200 PSI	4800-OACV	\$1,911.00
12-P4000AHR	1/2" RELIEF VALVE UL/FM 150-300 PSI	4800-OACV	\$2,134.00
34-P4000A	3/4" RELIEF VALVE UL/FM 50 - 200 PSI	4800-OACV	\$1,911.00
34-P4000AHR	3/4" RELIEF VALVE UL/FM 150-300 PSI	4800-OACV	\$2,134.00
RK12-P4000A	Repair Kit, 1/2x3/4" P4000A, and pressure relief pilot, 50-200 psi, ZW207	4800-PART	\$108.00
RK12-P4000AHR	Repair Kit, 1/2x3/4" P4000AHR, and pressure relief pilot, 150-300 psi, ZW207HP	4800-PART	\$136.00
112X12-FP63LTF-GALV	1-1/2" by 1/2" Mech tee, U-Bolt clamp, Female NPT outlet, galv, UL/FM, 300 psi	4800-OGFC	\$54.00
112X34-FP63LTF-GALV	1-1/2" by 3/4" Mech tee, U-Bolt clamp, Female NPT outlet, galv, UL/FM, 300 psi	4800-OGFC	\$54.00
114X12-FP63LTF-GALV	1-1/4" by 1/2" Mech tee, U-Bolt clamp, Female NPT outlet, galv, UL/FM, 300 psi	4800-OGFC	\$54.00
114X34-FP63LTF-GALV	1-1/4" by 3/4" Mech tee, U-Bolt clamp, Female NPT outlet, galv, UL/FM, 300 psi	4800-OGFC	\$54.00
1X12-FP63LTF	1" by 1/2" Mechanical tee, U-Bolt clamp, Female NPT outlet, UL/FM, 300 psi	4800-OGFC	\$36.00
1X34-FP63LTF	1" by 3/4" Mechanical tee, U-Bolt clamp, Female NPT outlet, UL/FM, 300 psi	4800-OGFC	\$36.00
212X112-FP63G-GALV	2-1/2" by 1-1/2" Mechanical tee, grooved outlet, galvanized, UL/FM, 300 psi	4800-OGFC	\$83.00
212X112-FP63TF-GALV	2-1/2" by 1-1/2" Mechanical tee, Female NPT outlet, galvanized, UL/FM, 300 psi	4800-OGFC	\$83.00
212X114-FP63G-GALV	2-1/2" by 1-1/4" Mechanical tee, grooved outlet, galvanized, UL/FM, 300 psi	4800-OGFC	\$83.00
212X114-FP63TF-GALV	2-1/2" by 1-1/4" Mechanical tee, Female NPT outlet, galvanized, UL/FM, 300 psi	4800-OGFC	\$83.00
212X12-FP63LTF-GALV	2-1/2" by 1/2" Mech tee, U-Bolt clamp, Female NPT outlet, galv, UL/FM, 300 psi	4800-OGFC	\$61.00
212X12-FP63TF	2-1/2" by 1/2" Mechanical tee, Female NPT outlet, UL/FM, 300 psi	4800-OGFC	\$51.00
212X1-FP63LTF-GALV	2-1/2" by 1" Mech tee, U-Bolt clamp, Female NPT outlet, galv, UL/FM, 300 psi	4800-OGFC	\$61.00
212X1-FP63TF-GALV	2-1/2" by 1" Mechanical tee, Female NPT outlet, galvanized, UL/FM, 300 psi	4800-OGFC	\$78.00
212X34-FP63LTF-GALV	2-1/2" by 3/4" Mech tee, U-Bolt clamp, Female NPT outlet, galv, UL/FM, 300 psi	4800-OGFC	\$61.00
212X34-FP63TF	2-1/2" by 3/4" Mechanical Tee, Female NPT outlet, UL/FM, 300 psi	4800-OGFC	\$51.00
2X112-FP63TF-GALV	2" by 1-1/2" Mechanical tee, Female NPT outlet, galvanized, UL/FM, 300 psi	4800-OGFC	\$99.00
2X114-FP63G-GALV	2" by 1-1/4" Mechanical tee, grooved outlet, galvanized, UL/FM, 300 psi	4800-OGFC	\$83.00
2X114-FP63TF-GALV	2" by 1-1/4" Mechanical tee, Female NPT outlet, galvanized, UL/FM, 300 psi	4800-OGFC	\$78.00
2X12-FP63LTF-GALV	2" by 1/2" Mechanical tee, U-Bolt clamp, Female NPT outlet, galv, UL/FM, 300 psi	4800-OGFC	\$60.00
2X34-FP63LTF-GALV	2" by 3/4" Mechanical tee, U-Bolt clamp, Female NPT outlet, galv, UL/FM, 300 psi	4800-OGFC	\$60.00
3X112-FP63G-GALV	3" by 1-1/2" Mechanical tee, grooved outlet, galvanized, UL/FM, 300 psi	4800-OGFC	\$99.00
3X112-FP63TF-GALV	3" by 1-1/2" Mechanical tee, Female NPT outlet, galvanized, UL/FM, 300 psi	4800-OGFC	\$99.00
3X114-FP63G	3" by 1-1/4" Mechanical tee, grooved outlet, UL/FM, 300 psi	4800-OGFC	\$63.00
3X114-FP63G-GALV	3" by 1-1/4" Mechanical tee, grooved outlet, galvanized, UL/FM, 300 psi	4800-OGFC	\$99.00
3X12-FP63TF	3" by 1/2" Mechanical tee, Female NPT outlet, UL/FM, 300 psi	4800-OGFC	\$67.00
3X2-FP63G-GALV	3" by 2" Mechanical tee, grooved outlet, galvanized, UL/FM, 300 psi	4800-OGFC	\$103.00
3X2-FP63TF-GALV	3" by 2" Mechanical tee, Female NPT outlet, galvanized, UL/FM, 300 psi	4800-OGFC	\$99.00
3X34-FP63TF	3" by 3/4" Mechanical tee, Female NPT outlet, UL/FM, 300 psi	4800-OGFC	\$55.00
4X112-FP63G-GALV	4" by 1-1/2" Mechanical tee, grooved outlet, galvanized, UL/FM, 300 psi	4800-OGFC	\$102.00
4X112-FP63TF-GALV	4" by 1-1/2" Mechanical tee, Female NPT outlet, galvanized, UL/FM, 300 psi	4800-OGFC	\$103.00
4X114-FP63G-GALV	4" by 1-1/4" Mechanical tee, grooved outlet, galvanized, UL/FM, 300 psi	4800-OGFC	\$102.00
4X12-FP63TF	4" by 1/2" Mechanical tee, Female NPT outlet, UL/FM, 300 psi	4800-OGFC	\$70.00
4X212-FP63G-GALV	4" by 2-1/2" Mechanical tee, grooved outlet, galvanized, UL/FM, 300 psi	4800-OGFC	\$136.00
4X2-FP63TF-GALV	4" by 2" Mechanical tee, Female NPT outlet, galvanized, UL/FM, 300 psi	4800-OGFC	\$118.00
4X34-FP63TF	4" by 3/4" Mechanical tee, Female NPT outlet, UL/FM, 300 psi	4800-OGFC	\$70.00
4X3-FP63G-GALV	4" by 3" Mechanical tee, grooved outlet, galvanized, UL/FM, 300 psi	4800-OGFC	\$146.00
4X3-FP63TF-GALV	4" by 3" Mechanical tee, Female NPT outlet, galvanized, UL/FM, 300 psi	4800-OGFC	\$147.00
6X112-FP63G-GALV	6" by 1-1/2" Mechanical tee, grooved outlet, galvanized, UL/FM, 300 psi	4800-OGFC	\$163.00

6X112-FP63TF-GALV	6" by 1-1/2" Mechanical tee, Female NPT outlet, galvanized, UL/FM, 300 psi	4800-OGFC	\$147.00
6X114-FP63G-GALV	6" by 1-1/4" Mechanical tee, grooved outlet, galvanized, UL/FM, 300 psi	4800-OGFC	\$156.00
6X114-FP63TF-GALV	6" by 1-1/4" Mechanical tee, Female NPT outlet, galvanized, UL/FM, 300 psi	4800-OGFC	\$147.00
6X1-FP63TF-GALV	6" X 1" Mechanical tee, Female NPT outlet, galvanized, UL/FM, 300 psi	4800-OGFC	\$184.00
6X212-FP63TF-GALV	6" by 2-1/2" Mechanical tee, Female NPT outlet, galvanized, UL/FM, 300 psi	4800-OGFC	\$185.00
6X2-FP63TF-GALV	6" by 2" Mechanical tee, Female NPT outlet, galvanized, UL/FM, 300 psi	4800-OGFC	\$167.00
6X3-FP63G-GALV	6" by 3" Mechanical tee, grooved outlet, galvanized, UL/FM, 300 psi	4800-OGFC	\$185.00
6X3-FP63TF-GALV	6" by 3" Mechanical tee, Female NPT outlet, galvanized, UL/FM, 300 psi	4800-OGFC	\$210.00
8X212-FP63G-GALV	8" by 2-1/2" Mechanical tee, grooved outlet, galvanized, UL/FM, 300 psi	4800-OGFC	\$283.00
8X2-FP63G-GALV	8" by 2" Mechanical tee, grooved outlet, galvanized, UL/FM, 300 psi	4800-OGFC	\$283.00
8X2-FP63TF-GALV	8" by 2" Mechanical tee, Female NPT outlet, galvanized, UL/FM, 300 psi	4800-OGFC	\$329.00
8X3-FP63G-GALV	8" by 3" Mechanical tee, grooved outlet, galvanized, UL/FM, 300 psi	4800-OGFC	\$309.00
8X4-FP63G-GALV	8" by 4" Mechanical tee, grooved outlet, galvanized, UL/FM, 300 psi	4800-OGFC	\$371.00
RK12-PV-ACL-3A	Repair Kit, 1/283/4" Accelerator Pilot, 3-way,Altitude Pilot, Reverse Operation	4800-PART	\$204.00
RK12-PV-ACLST-2	Repair Kit, 1/283/4" Accelerator Pilot, 2-way SS, 1-1/4"-10", ZW205ESP, 209ESP	4800-PART	\$257.00
RK12-PV-ACLST-3	Repair Kit, 1/283/4" Accelerator Pilot, 3-way SS, 4"-10" ZW206SP, 6"-10" ZW204SP	4800-PART	\$534.00
QT-SET	Quick Test, 6 Fitting Set, Protective Case	4800-OMWS	\$986.00
QT-SETPROMO	Quick Test, 6 Fitting Set	4800-OMWS	\$785.00
RK12-QT	Quick Test Backflow Test Fittings, Brass, Backflow Range 2 1/2" - 4", Qty 3	4800-PART	\$227.00
RK12-OTPK	Quick Test Backflow Test Fittings, Brass, Backflow Range 2 1/2" - 4", Pro-Kit, Qty 3	4800-PART	\$227.00
RK14-QT	Quick Test Backflow Test Fittings, Brass, Backflow Range 1/4" - 2", Qty 3	4800-PART	\$166.00
RK14-OTPK	Quick Test Backflow Test Fittings, Brass, Backflow Range 1/4" - 2", ProKit, Qty 3	4800-PART	\$166.00
RK34-QT	Quick Test Backflow Test Fittings, Brass, Backflow Range 6" - 10", Qty 3	4800-PART	\$272.00
RK14-QTP	Quick Test Backflow Test Fittings, Composite, Backflow Range 1/4" - 2", Qty 3	4800-PART	\$56.00
RK14-QTPPK	Quick Test Backflow Test Fittings, Composite, Backflow Range 1/4" - 2", Pro-Kit, Qty 3	4800-PART	\$56.00
QT-ORINGSET	Quick Test, 3 Sets of QT O-rings	4800-OMWS	\$86.00
1-70DUSPC	Spacer Nipple Kit - PRV, Double Union, 70 Series	4800-OPRV	\$116.00
34-70DUSPC	Spacer Nipple Kit - PRV, Double Union, 70 Series	4800-OPRV	\$91.00
34-NR3DUSPC	SPACER NIPPLE 3/4" NR3	4800-OPRV	\$113.00
SPK112-NR3	Spacer Nipple Kit - PRV, FNPT x FNPT, NR3 Series	4800-OPRV	\$598.00
SPK112-NR3C	Spacer Nipple Kit - PRV, Female CU SWT x Female CU SWT, NR3 Series	4800-OPRV	\$571.00
SPK114-NR3	Spacer Nipple Kit - PRV, FNPT x FNPT, NR3 Series	4800-OPRV	\$326.00
SPK114-NR3C	Spacer Nipple Kit - PRV, Female CU SWT x Female CU SWT, NR3 Series	4800-OPRV	\$327.00
SPK1-70	Spacer Nipple Kit - PRV, FNPT x FNPT, 70 Series	4800-OPRV	\$165.00
SPK1-70C	Spacer Nipple Kit - PRV, Female CU SWT x Female CU SWT, 70 Series	4800-OPRV	\$168.00
SPK1-70CM	Spacer Nipple Kit - PRV, Male CU SWT x Male CU SWT, 70 Series	4800-OPRV	\$269.00
SPK1-70CPVC	SPACER KIT, 1" 70CPVCPACERKIT,1"70CPVC	4800-OPRV	\$147.00
SPK1-70XC	Spacer Nipple Kit - PRV, Female CU SWT x Male CU SWT, 70 Series	4800-OPRV	\$213.00
SPK1-NR3PEXF1960	SPACER KIT, 1" NR3PEX FITTING 1960	4800-OPRV	\$223.00
SPK2-NR3	Spacer Nipple Kit - PRV, FNPT x FNPT, NR3 Series	4800-OPRV	\$791.00
SPK2-NR3C	Spacer Nipple Kit - PRV, Female CU SWT x Female CU SWT, NR3 Series	4800-OPRV	\$1,149.00
SPK34-70	Spacer Nipple Kit - PRV, FNPT x FNPT, 70 Series	4800-OPRV	\$123.00
SPK34-70C	Spacer Nipple Kit - PRV, Female CU SWT x Female CU SWT, 70 Series	4800-OPRV	\$123.00
SPK34-NR3	Spacer Nipple Kit - PRV, FNPT x FNPT, NR3 Series	4800-OPRV	\$183.00
SPK34-NR3C	Spacer Nipple Kit - PRV, Female CU SWT x Female CU SWT, NR3 Series	4800-OPRV	\$183.00
SPK34-NR3CPX	SPACER KIT, 3/4" NR3 COPPER SWEAT & PEXSPACERKIT34"NR3COPPE	4800-OPRV	\$183.00
SPK34-NR3CPVC	Spacer Nipple Kit - PRV, CPVC x CPVC, NR3 Series	4800-OPRV	\$168.00
SPK34-NR3PEX	SPACER KIT, 3/4" NR3PEXSPACERKIT34"NR3PEX	4800-OPRV	\$201.00
SPK34-NR3PEXF1960	SPACER KIT, 3/4" NR3PEX FITTING 1960	4800-OPRV	\$201.00
SSH05E12-36-12	HOSE, 1/2" X 1/2" X 12", SS BRAID	4800-OACV	\$60.00
SSH05E38-36-16	Hose, 3/8" X 3/8" X 16", SS Braid	4800-OACV	\$53.00
SSH05E38-36-25	Hose, 3/8" X 3/8" X 25", SS BRAID	4800-OACV	\$69.00
112-SXL	Strainer, Lead-Free, FNPT x FNPT, 20 Mesh Screen	4800-OSTR	\$455.00
112-SXLBS	1-1/2" SXL W/BSPP @ INLET	4800-OSTR	\$513.00
114-SXL	Strainer, Lead-Free, FNPT x FNPT, 20 Mesh Screen	4800-OSTR	\$326.00
12-SXL	Strainer, Lead-Free, FNPT x FNPT, 20 Mesh Screen	4800-OSTR	\$145.00
1-SXL	Strainer, Lead-Free, FNPT x FNPT, 20 Mesh Screen	4800-OSTR	\$234.00
1-SXLC	Strainer, Lead-Free, Female CU SWT x Female CU SWT	4800-OSTR	\$234.00
212-SXL	Strainer, Lead-Free, FNPT x FNPT, 20 Mesh Screen	4800-OSTR	\$1,116.00
2-SXL	Strainer, Lead-Free, FNPT x FNPT, 20 Mesh Screen	4800-OSTR	\$654.00
34-SXL	Strainer, Lead-Free, FNPT x FNPT, 20 Mesh Screen	4800-OSTR	\$212.00
34-SXLC	Strainer, Lead-Free, Female CU SWT x Female CU SWT	4800-OSTR	\$212.00
38-SXL	3/8" S STRAINER LEAD FREE38"SSSTRAINERLEADFREE	4800-OSTR	\$120.00
3-SXL	Strainer, Lead-Free, FNPT x FNPT, 20 Mesh Screen	4800-OSTR	\$1,837.00
RK112-SXL	REPAIR KIT, 1 1/2" SXL	4800-PART	\$57.00
RK114-SXL	Repair Kit, 1 1/4" SXL	4800-PART	\$50.00
RK12-SXL	REPAIR KIT, 1/2" SXL	4800-PART	\$21.00

RK1-SXL	REPAIR KIT, 1" SXL	4800-PART	\$47.00
RK212-SXL	REPAIR KIT, 2 1/2" SXL	4800-PART	\$189.00
RK2-SXL	REPAIR KIT, 2" SXL	4800-PART	\$69.00
RK34-SXL	REPAIR KIT, 3/4" SXL	4800-PART	\$24.00
RK38-SXL	REPAIR KIT, 3/8" SXL	4800-PART	\$21.00
RK3-SXL	REPAIR KIT, 3" SXL	4800-PART	\$244.00
TG-3	Backflow Test Kit - 3 Valve	4800-OMWS	\$3,834.00
TG-5	Backflow Test Kit - 5 Valve	4800-OMWS	\$3,834.00
TG-5PROMO	TG5/OT-SETPROMOTG5/OT-SETPROMO	4800-OMWS	\$5,111.00
TP1100A-2C-150C	T&P Relief Valve, MNPT x FNPT, 2" Probe, Set at 150	4800-OTPV	\$105.00
TP1100A-4C-125C	T&P Relief Valve, MNPT x FNPT, 4" Probe, Set at 125	4800-OTPV	\$105.00
TP1100A-4C-150C	T&P Relief Valve, MNPT x FNPT, 4" Probe, Set at 150	4800-OTPV	\$95.00
TP1100A-4C-175C	T&P Relief Valve, MNPT x FNPT, 4" Probe, Set at 175	4800-OTPV	\$105.00
TP1100A-4C-75C	T&P Relief Valve, MNPT x FNPT, 4" Probe, Set at 75	4800-OTPV	\$105.00
TP1100A-8C-150C	T&P Relief Valve, MNPT x FNPT, 8" Probe, Set at 150	4800-OTPV	\$123.00
TP1100AE-3C-150C	T&P Relief Valve, MNPT x FNPT, 3" Probe, Set at 150	4800-OTPV	\$98.00
TP1100AE-3C-150C	3/4" RV 150 PSI CA# NCLX-A 3.3 Inch Shank	4800-OTPV	\$260.00
TP220-5C-125C	T&P Relief Valve, MNPT x FNPT, 5" Probe, Set at 125	4800-OTPV	\$738.00
TP220-5C-150C	T&P Relief Valve, MNPT x FNPT, 5" Probe, Set at 150	4800-OTPV	\$671.00
TP220-8C-150C	T&P Relief Valve, MNPT x FNPT, 8" Probe, Set at 150	4800-OTPV	\$743.00
TP3000-5C-100C	T&P Relief Valve, FNPT x FNPT, 5" Probe, Set at 100	4800-OTPV	\$1,026.00
TP3000-5C-125C	T&P Relief Valve, FNPT x FNPT, 5" Probe, Set at 125	4800-OTPV	\$932.00
TP3000-5C-150C	T&P Relief Valve, FNPT x FNPT, 5" Probe, Set at 150	4800-OTPV	\$932.00
TP3000-5C-75C	T&P Relief Valve, FNPT x FNPT, 5" Probe, Set at 75	4800-OTPV	\$1,026.00
TP3000-8C-150C	T&P Relief Valve, FNPT x FNPT, 8" Probe, Set at 150	4800-OTPV	\$1,032.00
TP4000A-34	TAG, 3/4" THERMAL RELIEF VALVE	4800-OTPV	\$98.00
ZW209FP	TAG, ZW209FP	4800-OACV	\$19.00
112-TPKBS	TLPECE,KIT 1 1/2"BSPS	4800-OPRV	\$388.00
112-TPKBT	TLPECE,KIT 1 1/2"BSPT	4800-OPRV	\$388.00
114-TPKBS	TLPECE,KIT 1 1/4"BSPS	4800-OPRV	\$279.00
114-TPKBT	TLPECE,KIT 1 1/4"BSPT	4800-OPRV	\$279.00
12-TPKC	TAILPIECE KIT, 1/2" FC	4800-OPRV	\$75.00
12X34-TPKBS	TLPECE,KIT 1/2"BSPSX3/4"	4800-OPRV	\$92.00
12X34-TPKBT	TLPECE,KIT 1/2"BSPTX3/4"	4800-OPRV	\$92.00
12X34-TPKC-CHK	TLPECE,KIT,1/2X34CXC,CHECK	4800-OPRV	\$110.00
12X34-TPK-CHK	TLPECE,KIT,1/2X3/4 W/CHECK	4800-OPRV	\$110.00
12X34-TPKCPVC	Tailpiece Kit - PRV, 1/2" CPVC, 3/4" Union	4800-OPRV	\$74.00
12X34-TPKCPVC	Tailpiece Kit - PRV, 1/2" CPVC, 3/4" Union, SS Strainer	4800-OPRV	\$77.00
12X34-TPKCS-CHK	TPKIT,12X34 CXC,W/S,CHK	4800-OPRV	\$115.00
12X34-TPKNPS	TAILPIECE KIT, 1/2" NPS	4800-OPRV	\$77.00
12X34-TPKNPS	TAILPIECE KIT, 1/2" NPS W/SCREEN	4800-OPRV	\$84.00
12X34-TPKS-CHK	TPKIT,12X34NPT W/S CHECK	4800-OPRV	\$110.00
1-TPKBS	TLPECE,KIT 1"BSPS	4800-OPRV	\$88.00
1-TPKBT	TLPECE,KIT 1"BSPT	4800-OPRV	\$88.00
1-TPKCPVC	Tailpiece Kit - PRV, CPVC	4800-OPRV	\$71.00
2-TPKBS	TLPECE,KIT 2"BSPS	4800-OPRV	\$522.00
2-TPKBT	TLPECE,KIT 2"BSPT	4800-OPRV	\$522.00
2-TPKC	TAILPIECE KIT, 2" FC	4800-OPRV	\$404.00
34-TPKBS	TLPECE,KIT 3/4"BSPS	4800-OPRV	\$48.00
34-TPKBT	TLPECE,KIT 3/4"BSPT	4800-OPRV	\$48.00
34-TPKC-CHK	TLPECE,KIT, 3/4CXC,W/CHECK	4800-OPRV	\$77.00
34-TPK-CHK	TP KIT, 3/4NPT W/S,CHECK	4800-OPRV	\$89.00
34-TPKCM	TAILPIECE KIT, 3/4" MC	4800-OPRV	\$71.00
34-TPKCPVC	Tailpiece Kit - TMV, CPVC Union	4800-OPRV	\$48.00
34-TPKCPVC	Tailpiece Kit, 3/4" CPVC Union, SS Strainer	4800-OPRV	\$53.00
34-TPKCS	TLPECE,KIT 3/4FC W/SCREEN	4800-OPRV	\$53.00
34-TPKCS-CHK	TPKIT, 3/4CXC,W/S,CHECK	4800-OPRV	\$91.00
34-TPKBS	TLPECE,KIT,3/4"BS W/SCREEN	4800-OPRV	\$53.00
34-TPKS-CHK	TP KIT 3/4FNPT W/S,CHECK	4800-OPRV	\$94.00
112-TPKXL	Tailpiece Kit, Lead-Free, Female NPT	4800-OPRV	\$357.00
112-TPKXLB	TLPECE,KIT 1 1/2"BSPT LEAD FREE	4800-OPRV	\$497.00
112-TPKXLC	TAILPIECE KIT, 1-1/2" FC LEAD FREE	4800-OPRV	\$418.00
114-TPKXL	Tailpiece Kit, Lead-Free, Female NPT	4800-OPRV	\$213.00
114-TPKXLB	TLPECE,KIT 1 1/4"BSPT LEAD FREE	4800-OPRV	\$422.00
114-TPKXLC	TAILPIECE KIT, 1-1/4" FC LEAD FREE	4800-OPRV	\$215.00
12-TPKXL	Tailpiece Kit, Lead-Free, Female NPT	4800-OPRV	\$75.00
12-TPKXLC	TAILPIECE KIT, 1/2" FC LEAD FREE	4800-OPRV	\$88.00
12-TPKXLP	Z-Bite Push-Fit Tailpiece Kit	4800-OPRV	\$69.00
12X34-TPKXL	Tailpiece Kit, Lead-Free, 1/2" Female NPT, 3/4" Union	4800-OPRV	\$63.00
12X34-TPKXLB	TLPECE,KIT 1/2"BSPT X 3/4" LEAD FREE	4800-OPRV	\$135.00
12X34-TPKXLC	Tailpiece Kit, Lead-Free, 1/2" Female CU SWT, 3/4" Union	4800-OPRV	\$88.00
12X34-TPKXLS	Tailpiece Kit, Lead-Free, 1/2" Female CU SWT, 3/4" Union, SS Strainer	4800-OPRV	\$92.00
12X34-TPKXLPX	Tailpiece Kit, Lead-Free, 1/2" PEX, 3/4" Union	4800-OPRV	\$63.00
12X34-TPKXLPXF1960	TLPECE,KIT,12X34 PEX LEAD FREE ASTM 1960	4800-OPRV	\$54.00
12X34-TPKXLPF	1/2" Push Fitting x 3/4" Union	4800-OPRV	\$71.00
12X34-TPKXLPFS	TAILPIECE KIT, 1/2"X3/4" PUSH FIT W/SCRN LEAD FREE	4800-OPRV	\$93.00
12X34-TPKXLS	Tailpiece Kit, Lead-Free, 1/2" Female NPT, 3/4" Union, SS Strainer	4800-OPRV	\$71.00
1-TPKXL	Tailpiece Kit, Lead-Free, Female NPT	4800-OPRV	\$75.00
1-TPKXLB	TLPECE,KIT 1"BSPT LEAD FREE	4800-OPRV	\$88.00
1-TPKXLC	TAILPIECE KIT, 1" MC LEAD FREE	4800-OPRV	\$91.00
1-TPKXLCM	TAILPIECE KIT, 1" MC LEAD FREETAILPIECEKIT1"MCLEAD	4800-OPRV	\$137.00
1-TPKXLCR	TAILPIECE KIT, 1" FCX RETRO LEAD FREE	4800-OPRV	\$145.00
1-TPKXLCRW	COMPETITOR REPLACEMENT TAILPIECE KIT, 1" FC LEAD FREE	4800-OPRV	\$54.00
1-TPKXLM	TAILPIECE KIT, 1" MNPT LEAD FREETAILPIECEKIT1"MNPTLE	4800-OPRV	\$121.00
1-TPKXLPX	Tailpiece Kit, Lead-Free, PEX	4800-OPRV	\$74.00
1-TPKXLPF	Z-Bite Push-Fit Tailpiece Kit	4800-OPRV	\$137.00
1-TPKXLPF	Z-Press Press-Fit Tailpiece Kit	4800-OPRV	\$113.00
1-TPKXLRW	COMPETITOR REPLACEMENT TAILPIECE KIT, 1" FNPT LEAD FREE	4800-OPRV	\$72.00
1X34-TPKXLC	TAILPIECE KIT, 1FCX34UN LEAD FREE	4800-OPRV	\$74.00
1X34-TPKXLS	TAILPIECE KIT, 1FCX34UN W/SCRN LEAD FREE	4800-OPRV	\$77.00
2-TPKXL	Tailpiece Kit, Lead-Free, Female NPT	4800-OPRV	\$482.00
2-TPKXLB	TLPECE,KIT 2"BSPT LEAD FREE	4800-OPRV	\$548.00
2-TPKXLC	TAILPIECE KIT, 2" FC LEAD FREE	4800-OPRV	\$471.00

34-TPKXL	Tailpiece Kit, Lead-Free, Female NPT	4800-OPRV	\$54.00
34-TPKXLS	TLPCE KIT 3/4" BSPS LEAD FREE	4800-OPRV	\$62.00
34-TPKXLC	TAILPIECE KIT, 3/4" FCX LEAD FREE	4800-OPRV	\$62.00
34-TPKXLCM	Male CU SWT	4800-OPRV	\$75.00
34-TPKXLCR	TAILPIECE KIT, 3/4" FCX RETRO LEAD FREE	4800-OPRV	\$103.00
34-TPKXLCRW	COMPETITOR REPLACEMENT TAILPIECE KIT, 3/4" FC LEAD FREE	4800-OPRV	\$47.00
34-TPKXLCSS	TAILPIECE KIT, 3/4" FC W/SCRN LEAD FREE	4800-OPRV	\$62.00
34-TPKXLM	Tailpiece Kit, Lead-Free, Male NPT	4800-OPRV	\$102.00
34-TPKXLMSS	Tailpiece Kit, Lead-Free, Male NPT, SS Strainer	4800-OPRV	\$113.00
34-TPKXLPEX	Tailpiece Kit, Lead-Free, PEX	4800-OPRV	\$54.00
34-TPKXLPEX	Z-Bite Push-Fit Tailpiece Kit	4800-OPRV	\$92.00
34-TPKXLPEX	TAILPIECE KIT, 3/4" PUSH FIT W/SCRN LEAD FREE	4800-OPRV	\$93.00
34-TPKXLPR	Z-Press Press-Fit Tailpiece Kit	4800-OPRV	\$88.00
34-TPKXLPRS	TAILPIECE KIT, 3/4" PRESS FIT W/SCRN LEAD FREE	4800-OPRV	\$88.00
34-TPKXLRW	COMPETITOR REPLACEMENT TAILPIECE KIT, 3/4" FC LEAD FREE	4800-OPRV	\$54.00
34-TPKXLS	Tailpiece Kit, Lead-Free, Female NPT, SS Strainer	4800-OPRV	\$62.00
38X12-TPKXL	TAILPIECE KIT, 3/8" X 1/2"	4800-OPRV	\$72.00
38X34-TPKXLCOMP	TAILPIECE KIT, 3/8" COMPX3/4" LF	4800-OPRV	\$82.00
1-TPKXLPEX1960	TLPCE KIT, 1" PEX LEAD FREE ASTM 1960	4800-OPRV	\$88.00
34-TPKXLPEX1960	TLPCE KIT, 3/4" PEX LEAD FREE ASTM 1960	4800-OPRV	\$57.00
34UFPCVX34M-700XL	3/4" Union Fem CPVC Inlt X 3/4" Male NPT Outlt Lead Free Dual Check	4800-OSBF	\$772.00
1UFM11UM-700XL	1" Union Fem Meter Thread Inlt X 1" Union Male NPT Outlt Lead Free Dual Check	4800-OSBF	\$453.00
114UFM114MM-700XLP	1-1/4" Union Fem Mtr Thrd Inlt X 1-1/4" Male Mtr Thrd Outlt LF Fire Prot Dtl Chk	4800-OSBF	\$772.00
1UFM34MM-700XL	1" Union Fem Meter Thread Inlt X 3/4" Male Meter Thrd Outlt Lead Free Dual Check	4800-OSBF	\$338.00
34UFM34F-700XL	3/4" Union Fem Meter Thread Inlt X 3/4" Fem NPT Outlt Lead Free Dual Check	4800-OSBF	\$149.00
1UFX114MM-700XLP	1" Union Fem NPT Inlt X 1-1/4" Male Mtr Thrd Outlt LF Fire Protctn Dual Check	4800-OSBF	\$1,193.00
34UFX34F-700XLC	3/4" Union Fem NPT Inlt X 3/4" Fem NPT Outlt Lead Free Chrome Dual Check	4800-OSBF	\$373.00
34UPEX1960X34F-700XL	3/4" Union Expn PEX Inlt X 3/4" Fem NPT Outlt Lead Free Dual Check	4800-OSBF	\$267.00
34UPEX1960X34M-700XL	3/4" Union Expn PEX Inlt X 3/4" Male NPT Outlt Lead Free Dual Check	4800-OSBF	\$248.00
12 VR10XL	1/2" VR10XL LEAD FREE	4800-OVB	\$218.00
12X12COMP-52	ELBOW, 1/2" MALE NPT X 1/2" COMP MCM#50915K728	4800-OACV	\$145.00
34 VR10XL	3/4" VR10XL LEAD FREE	4800-OVB	\$229.00
RK8-10-W1	RK8-10 W1 Repair Kit, Connected Backflow, Models 375W1, 375A41, And 375ASTW1, 8"	4800-PART	\$3,626.00
10 WBR	In Building Riser, 6' x 6', MJ x Grooved	4800-LBFA	\$15,396.00
10 WBR-F	In Building Riser, 6' x 6', MJ x Flanged	4800-LBFA	\$16,389.00
4-WBR	In Building Riser, 6' x 6', MJ x Grooved	4800-LBFA	\$5,949.00
4-WBR-F	In Building Riser, 6' x 6', MJ x Flanged	4800-LBFA	\$6,072.00
6-WBR	In Building Riser, 6' x 6', MJ x Grooved	4800-LBFA	\$7,742.00
6-WBR-F	In Building Riser, 6' x 6', MJ x Flanged	4800-LBFA	\$8,550.00
8-WBR	In Building Riser, 6' x 6', MJ x Grooved	4800-LBFA	\$10,217.00
8-WBR-F	In Building Riser, 6' x 6', MJ x Flanged	4800-LBFA	\$11,456.00
RK10-WBR	REPAIR KIT, 10" WBR	4800-PART	\$873.00
RK4-WBR	REPAIR KIT, 4" WBR	4800-PART	\$304.00
RK6-WBR	REPAIR KIT, 6" WBR	4800-PART	\$500.00
RK8-WBR	REPAIR KIT, 8" WBR	4800-PART	\$789.00
4-WBR-6X8.5	4" WBR 6FT X 8.5FT ASSY, GRV OUTLET	4800-LBFA	\$6,328.00
6-WBR-6X8.5	6" WBR 6FT X 8.5FT ASSY, GRV OUTLET	4800-LBFA	\$7,837.00
10 WBR-6X8.5	10" WBR 6FT X 8.5FT ASSY, GRV OUTLET	4800-LBFA	\$17,605.00
8-WBR-6X8.5	8" WBR 6FT X 8.5FT ASSY, GRV OUTLET	4800-LBFA	\$10,330.00
1260XL-A	WTR HMMR ARRST, 1/2" LEAD FREE EXPORT	4800-OHWA	\$178.00
1260XL-B	WTR HMMR ARRST, 3/4" LEAD FREE EXPORT	4800-OHWA	\$244.00
1260XL-C	WTR HMMR ARRST, 1" LEAD FREE EXPORT	4800-OHWA	\$531.00
1260XL-D	WTR HMR ARRST 1" D LEAD FREE	4800-OHWA	\$678.00
1260XL-E	WTR HMR ARRST 1" E LEAD FREE	4800-OHWA	\$969.00
1260XL-F	WTR HMR ARRST 1" F LEAD FREE	4800-OHWA	\$1,517.00
WTTA-100	Expansion Tank, ASME, 1" FNPT, 45 gal	4800-OEXT	\$16,207.00
WTTA-12	Expansion Tank, ASME, 3/4" FNPT, 5 gal	4800-OEXT	\$7,679.00
WTTA-12S	Expansion Tank, ASME, 1" FNPT, 60 gal	4800-OEXT	\$18,090.00
WTTA-160	Expansion Tank, ASME, 1 1/2" FNPT, 70 gal	4800-OEXT	\$19,962.00
WTTA-180	Expansion Tank, ASME, 1 1/2" FNPT, 80 gal	4800-OEXT	\$21,838.00
WTTA-20	Expansion Tank, ASME, 3/4" FNPT, 8 gal	4800-OEXT	\$8,540.00
WTTA-210	Expansion Tank, ASME, 1 1/2" FNPT, 90 gal	4800-OEXT	\$22,925.00
WTTA-30	Expansion Tank, ASME, 1" FNPT, 15 gal	4800-OEXT	\$9,630.00
WTTA-42	Expansion Tank, ASME, 1" FNPT, 22 gal	4800-OEXT	\$10,282.00
WTTA-5	Expansion Tank, ASME, 3/4" FNPT, 3.5 gal	4800-OEXT	\$6,675.00
WTTA-60	Expansion Tank, ASME, 1" FNPT, 26 gal	4800-OEXT	\$13,506.00
WTTA-80	Expansion Tank, ASME, 1" FNPT, 80 gal	4800-OEXT	\$14,331.00
WXTP-120V	Expansion Tank, 1" FNPT, 32 gal	4800-OEXT	\$2,624.00
WXTP-165V	Expansion Tank, 1 1/4" FNPT, 44 gal	4800-OEXT	\$3,449.00
WXTP-320V	Expansion Tank, 1 1/4" FNPT, 85 gal	4800-OEXT	\$4,741.00
WXTP-50V	Expansion Tank, 1" FNPT, 14 gal	4800-OEXT	\$1,716.00
WXTP-75V	Expansion Tank, 1" FNPT, 20 gal	4800-OEXT	\$1,896.00
38X12-4ASS	3/8" X 1/2" ADAPTER NIPPLE, SS (MCM-48805K46)	4800-OACV	\$472.00
4X212-FDC2-EX90-SC	4" NPT x 2-1/2" NH(NST) siamese Fire Dept Conn, bottom inlet, single clapper	4800-OOVF	\$529.00
4X212-FDC2-EX-SC	4" NPT x 2-1/2" NH(NST) siamese Fire Dept Conn, back inlet, single clapper	4800-OOVF	\$492.00
38X38-29SS-063	1/16" ORIFICE 3/8" NPT X 3/8" NPT ADAPTER, SS MCM#2822116	4800-OACV	\$375.00
38X38-52SESS	3/8" STREET ELBOW SS, (MCM 4452K473)	4800-OACV	\$94.00
38X38COMP-29-188	3/16" ORIFICE 3/8" NPT X 3/8" COMP	4800-OACV	\$19.00
38X38COMP-29SS	FITTING, 3/8" NPT X 3/8" COMP, SS	4800-OACV	\$48.00
38X38X38-53-2PCS	38X38X38-53 (TEE) W/ 38XCL-218 (CLOSE NIPPLE)	4800-OACV	\$152.00
XT-18	Expansion Tank, 3/4" MNPT, 4.5 gal	4800-OEXT	\$475.00
XT-35	Expansion Tank, 3/4" MNPT, 9.2 gal	4800-OEXT	\$1,105.00
XT-8	Expansion Tank, 3/4" MNPT, 2.1 gal	4800-OEXT	\$299.00
Z3000	Fire Hose Valve, FNPT x Male Hose THD, Angle	4800-OOVF	\$5,469.00

Z3000C/C	Fire Hose Valve, FNPT x Male Hose THD, Angle, Cap/Chain	4800-OOVF	\$5,769.00
Z3000C/CCH	Fire Hose Valve, FNPT x Male Hose THD, Angle, Cap/Chain, Chrome	4800-OOVF	\$6,573.00
Z3000CH	Fire Hose Valve, FNPT x Male Hose THD, Angle, Chrome	4800-OOVF	\$6,271.00
Z3000G	Fire Hose Valve, Grooved x Male Hose THD, Angle	4800-OOVF	\$5,469.00
Z3000GC/C	Fire Hose Valve, Grooved x Male Hose THD, Angle, Cap/Chain	4800-OOVF	\$5,769.00
Z3000GC/CCH	2-1/2 3000 Angle Hose Valve Grv x Male Hose Thrd w/Cap, Rough Chrome	4800-OOVF	\$6,571.00
Z3000GCH	2-1/2 3000 Angle Hose Valve Grv x Male Hose Thrd, Rough Chrome	4800-OOVF	\$6,270.00
Z3000GSF	2-1/2" Z3000 SF	4800-OOVF	\$6,176.00
Z3000GSFC/C	2-1/2 3000 Angle Hose Valve Grv x 3" Hose Outlet w/Cap	4800-OOVF	\$6,476.00
Z3000GSFC/CCH	2-1/2 3000 Angle Hose Valve Grv x 3" Hose Outlet w/Cap, Rough Chrome	4800-OOVF	\$7,275.00
Z3000GST	Fire Hose Valve, Grooved x Special Male Hose THD, Angle	4800-OOVF	\$5,716.00
Z3000GSTC/C	Fire Hose Valve, Grooved x Special Male Hose THD, Angle, Cap/Chain	4800-OOVF	\$6,015.00
Z3000GSTC/CCH	Fire Hose Valve, Grooved x Special Male Hose THD, Angle, Cap/Chain, Chrome	4800-OOVF	\$6,820.00
Z3000GSTCH	2-1/2" Z3000 CHR M SPL THRD212" Z3000GCHRMSPLCLTH	4800-OOVF	\$6,518.00
Z3000IIL	Fire Hose Valve, FNPT x Male Hose THD, In-Line	4800-OOVF	\$6,061.00
Z3000IILC/C	Fire Hose Valve, FNPT x Male Hose THD, In-Line, Cap/Chain	4800-OOVF	\$6,362.00
Z3000IILC/CCH	Fire Hose Valve, FNPT x Male Hose THD, In-Line, Cap/Chain, Chrome	4800-OOVF	\$7,168.00
Z3000IILCH	Fire Hose Valve, FNPT x Male Hose THD, In-Line, Chrome	4800-OOVF	\$6,864.00
Z3000IILG	Fire Hose Valve, Grooved x Male Hose THD, In-Line	4800-OOVF	\$6,061.00
Z3000IILGC/C	Fire Hose Valve, Grooved x Male Hose THD, In-Line, Cap/Chain	4800-OOVF	\$6,362.00
Z3000IILGC/CCH	2-1/2 3000 Inline Hose Valve Grv x Male Hose Thrd w/Cap, Rough Chrome	4800-OOVF	\$7,160.00
Z3000IILGST	2-1/2 3000 Inline Hose Valve Grv x Special Thread	4800-OOVF	\$6,304.00
Z3000IILGSTC/C	2-1/2 3000 Inline Hose Valve Grv x Special Thread w/Cap	4800-OOVF	\$6,603.00
Z3000IILGSTCH	2-1/2 3000 Inline Hose Valve Grv x Special Thread, Rough Chrome	4800-OOVF	\$7,106.00
Z3000IILSF	Fire Hose Valve, FNPT x SF Male Hose THD, In-Line	4800-OOVF	\$6,482.00
Z3000IILSFC/C	Fire Hose Valve, FNPT x SF Male Hose THD, In-Line, Cap/Chain	4800-OOVF	\$6,902.00
Z3000IILST	Fire Hose Valve, FNPT x Special Male Hose THD, In-Line	4800-OOVF	\$6,307.00
Z3000IILSTC/C	Fire Hose Valve, FNPT x Special Male Hose THD, In-Line, Cap/Chain	4800-OOVF	\$6,610.00
Z3000-OPEN	2-1/2" Z3000 WITH OPEN INDICATOR	4800-OOVF	\$5,723.00
Z3000SF	Fire Hose Valve, FNPT x SF Male Hose THD, Angle	4800-OOVF	\$6,176.00
Z3000SFC/C	Fire Hose Valve, FNPT x SF Male Hose THD, Angle, Cap/Chain	4800-OOVF	\$6,572.00
Z3000SFC/CCH	Fire Hose Valve, FNPT x SF Male Hose THD, Angle, Cap/Chain, Chrome	4800-OOVF	\$7,132.00
Z3000SFCH	Fire Hose Valve, FNPT x SF Male Hose THD, Angle, Chrome	4800-OOVF	\$6,736.00
Z3000ST	Fire Hose Valve, FNPT x Special Male Hose THD, Angle	4800-OOVF	\$5,716.00
Z3000STC/C	Fire Hose Valve, FNPT x Special Male Hose THD, Angle, Cap/Chain	4800-OOVF	\$6,015.00
Z3000STC/CCH	Fire Hose Valve, FNPT x Special Male Hose THD, Angle, Cap/Chain, Chrome	4800-OOVF	\$6,820.00
Z3000STCH	Fire Hose Valve, FNPT x Special Male Hose THD, Angle, Chrome	4800-OOVF	\$6,518.00
Z3000UWA	Fire Hose Valve, Upper Working Assembly, Z3000	4800-OOVF	\$3,795.00
Z3004GCH	2-1/2 3004 Angle Sprinkler Valve Grv x Grv, Rough Chrome	4800-OOVF	\$6,578.00
Z3004GSSCH	2-1/2 3004 Angle Sprinkler Valve Grv x Grv w/Supervisory Switch, Rough Chrome	4800-OOVF	\$7,385.00
Z3004ILGSSCH	2-1/2 3004 Inline Sprinkler Valve Grv x Grv w/Supervisory Switch, Rough Chrome	4800-OOVF	\$8,142.00
Z3004ILSSCH	2-1/2 3004 Inline Sprinkler Valve Fem NPT x Fem NPT w/Supervisory Switch, Rough	4800-OOVF	\$8,142.00
Z3004SSCH	2-1/2 Angle Sprinkler Valve Fem NPT x Fem NPT w/Supervisory Switch, Rough Chrome	4800-OOVF	\$7,385.00
Z3005BT	2-1/2 3005 Angle Hose Rack Valve Fem BSPT x Fem BSPT	4800-OOVF	\$5,720.00
Z3004	Fire Sprinkler Valve, FNPT x FNPT, Angle	4800-OOVF	\$5,774.00
Z3004CAP	Fire Sprinkler Valve, FNPT x FNPT, Angle, Capped Bonnet	4800-OOVF	\$5,249.00
Z3004CH	Fire Sprinkler Valve, FNPT x FNPT, Angle, Chrome	4800-OOVF	\$6,578.00
Z3004G	Fire Sprinkler Valve, Grooved x Grooved	4800-OOVF	\$5,774.00
Z3004GCAP	Fire Sprinkler Valve, Grooved x Grooved, Capped Bonnet	4800-OOVF	\$5,249.00
Z3004GMSA	Fire Sprinkler Valve, Grooved x Grooved, Monitor Sw Adapt	4800-OOVF	\$5,893.00
Z3004GSS	Fire Sprinkler Valve, Grooved x Grooved, Supervisory Switch	4800-OOVF	\$6,584.00
Z3004IL	Fire Sprinkler Valve, FNPT x FNPT, In-Line	4800-OOVF	\$6,530.00
Z3004ILCAP	Fire Sprinkler Valve, FNPT x FNPT, In-Line, Capped Bonnet	4800-OOVF	\$5,759.00
Z3004ILCH	Fire Sprinkler Valve, FNPT x FNPT, In-Line, Chrome	4800-OOVF	\$7,333.00
Z3004IILG	Fire Sprinkler Valve, Grooved x Grooved, In-Line	4800-OOVF	\$6,530.00
Z3004ILGCAP	Fire Sprinkler Valve, Grooved x Grooved, In-Line, Capped Bonnet	4800-OOVF	\$5,759.00
Z3004ILGMSA	Fire Sprinkler Valve, Grooved x Grooved, In-Line, Monitor Sw Adapt	4800-OOVF	\$6,646.00
Z3004ILGMSAT	2-1/2" Z3004ILMSAT GXG TAPPED212" Z3004ILMSATGXGTA	4800-OOVF	\$6,710.00
Z3004ILGSS	Fire Sprinkler Valve, Grooved x Grooved, In-Line, Supervisory Switch	4800-OOVF	\$7,337.00
Z3004ILMSA	Fire Sprinkler Valve, FNPT x FNPT, In-Line, Monitor Sw Adapt	4800-OOVF	\$6,646.00
Z3004ILMSACH	Fire Sprinkler Valve, FNPT x FNPT, In-Line, Monitor Sw Adapt, Chrome	4800-OOVF	\$7,451.00
Z3004ILSS	Fire Sprinkler Valve, FNPT x FNPT, In-Line, Supervisory Switch	4800-OOVF	\$7,337.00
Z3004MSA	Fire Sprinkler Valve, FNPT x FNPT, Angle, Monitor Switch Adapter	4800-OOVF	\$5,893.00
Z3004MSACH	Fire Sprinkler Valve, FNPT x FNPT, Angle, Monitor Sw Adat, Chrome	4800-OOVF	\$6,695.00
Z3004SS	Fire Sprinkler Valve, FNPT x FNPT, Angle, supervisory switch	4800-OOVF	\$6,584.00
Z3004UWA	Fire Sprinkler Valve, Upper Working Assembly, Z3004	4800-OOVF	\$4,049.00
Z3005	Fire Hose Valve, FNPT x FNPT, Angle	4800-OOVF	\$5,607.00
Z3005CH	Fire Hose Valve, FNPT x FNPT, Angle, Chrome	4800-OOVF	\$6,413.00
Z3005IL	Fire Hose Valve, FNPT x FNPT, In-Line	4800-OOVF	\$6,535.00
Z3005ILCH	Fire Hose Valve, FNPT x FNPT, In-Line, Chrome	4800-OOVF	\$7,337.00

ZPXL15F	15mm(1/2") ZPR PRV BSPP Tapped, Lead Free	4800-OPRV	\$218.00
ZPXL20F	20mm (3/4") ZPR PRV BSPP Tapped, Lead Free	4800-OPRV	\$221.00
ZPXL25F	25mm (1") ZPR PRV BSPP Tapped, Lead Free	4800-OPRV	\$315.00
ZPXL32F	32mm (1-1/4") ZPR PRV BSPP Tapped, Lead Free	4800-OPRV	\$374.00
ZPXL40F	40mm (1-1/2") ZPR PRV BSPP Tapped, Lead Free	4800-OPRV	\$705.00
ZPXL50F	50mm (2") ZPR PRV BSPP Tapped, Lead Free	4800-OPRV	\$1,070.00
12 ZW1017XLPXF1960	TMV, 1/2" PEX ASTM 1960 LEAD FREE	4800-00MV	\$877.00
12 ZW1017XLPF	TMV, 1/2" FNPT, ASSE 1017 PUSH FIT	4800-00MV	\$963.00
12 ZW1070XL-1MXFBV	1/2" TMV, W/NPT 8BV OUTLET SHUT OFF	4800-00MV	\$1,348.00
2004-25L-230ALT	PRESSURE GAUGE, 2-1/2" 0-230 FT OF H2O, 1/4" NPT, LIQ. FILL, BRASS TUBE	4800-OACV	\$680.00
2004-25L-460ALT	PRESSURE GAUGE, 2-1/2" 0-460 FT OF H2O, 1/4" NPT, LIQ. FILL, BRASS TUBE	4800-OACV	\$680.00
2004-25LSS-300	Pressure gauge, 2-1/2" 0-300 psi, 1/4" NPT, Liq Fill, SS tube	4800-OACV	\$1,237.00
2004-25LSS-400	Pressure gauge, 2-1/2" 0-400 psi, 1/4" NPT, Liq Fill, SS tube	4800-OACV	\$1,237.00
2004SW2-5	Stem, ZPI2 and SC, 1.25" - 6", SD and SO, 1.25" - 2.5", 316SS, 6" long	4800-OACV	\$8.00
2005-12V	SEAL RING, 1-1/4"-1-1/2" ZW200 VITON	4800-OACV	\$158.00
2006-100	2" BLUE ANSI Class 150 Flanged ACV Globe Full Port Main Valve, ductile iron	4800-OACV	\$2,222.00
2006-12V	SEAL RING, 2" ZW200 VITON	4800-OACV	\$158.00
2007-12V	SEAL RING, 2-1/2" ZW200 VITON	4800-OACV	\$180.00
2007-CHECK-SUB	2-1/2" ZW200 CHECK SUB-ASSY.	4800-OACV	\$1,816.00
2008-12V	SEAL RING, 3" ZW200 VITON	4800-OACV	\$180.00
2008ZPI3-5A	Stem adapter, indicator/switch, 3" - 6"	4800-OACV	\$88.00
2009-12V	SEAL RING, 4" ZW200 VITON	4800-OACV	\$233.00
200-ZW209FPBSE	DN200 ZW209 Press Reduc Fire Viv Glb Body Tbl E Flg SS seat 15-150psi Cpr Tube	4800-OACV	\$30,756.00
2010-12V	SEAL RING, 6" ZW200 VITON	4800-OACV	\$233.00
20-700XL	20mm (3/4") 700 Dual Check BSPP, Lead Free	4800-05BF	\$159.00
34 ZW1017XL2PEX1PR	TMV, 3/4" ZW1017XL, 2 PEX, 1 PRESS FIT LEAD FREE	4800-00MV	\$994.00
34 ZW1017XLPXF1960	TMV, 3/4" PEX ASTM 1960 LEAD FREE	4800-00MV	\$877.00
ZW1017-HT-100	TMV, ASSE1017 VALVE, HT OPT	4800-00MV	\$840.00
ZW1017-LU-LC	TMV, ASSE1017, LU, LC	4800-00MV	\$665.00
ZW1017-LU-LS	TMV, ASSE1017, LESS, UN, SCRNB	4800-00MV	\$665.00
12 ZW1017XL	Thermostatic Mixing Valve, Lead-Free, FNPT, ASSE1017	4800-00MV	\$838.00
12 ZW1017XL2PEX1C	TMV, 1/2" ZW1017XL, 2PEX, 1C LEAD FREE	4800-00MV	\$600.00
12 ZW1017XLC	Thermostatic Mixing Valve, Lead-Free, Female CU SWT, ASSE1017	4800-00MV	\$887.00
12 ZW1017XLCPCV	Thermostatic Mixing Valve, Lead-Free, CPVC, ASSE1017	4800-00MV	\$1,020.00
12 ZW1017XLPX	Thermostatic Mixing Valve, Lead-Free, PEX, ASSE1017	4800-00MV	\$813.00
1-ZW1017XLC	Thermostatic Mixing Valve, Lead-Free, Female CU SWT, ASSE1017	4800-00MV	\$892.00
34 ZW1017XL	Thermostatic Mixing Valve, Lead-Free, FNPT, ASSE1017	4800-00MV	\$813.00
34 ZW1017XL2PEX1C	TMV, 3/4" ZW1017XL, 2 PEX, 1C LEAD FREE	4800-00MV	\$556.00
34 ZW1017XLC	Thermostatic Mixing Valve, Lead-Free, Female CU SWT, ASSE1017	4800-00MV	\$815.00
34 ZW1017XLCPCV	Thermostatic Mixing Valve, Lead-Free, CPVC, ASSE1017	4800-00MV	\$879.00
34 ZW1017XLM	Thermostatic Mixing Valve, Lead-Free, MNPT, ASSE1017	4800-00MV	\$1,001.00
34 ZW1017XLPX	Thermostatic Mixing Valve, Lead-Free, PEX, ASSE1017	4800-00MV	\$813.00
34 ZW1017XLPF	Thermostatic Mixing Valve, Lead-Free, ASSE1017, Z-Bite Push-Fit Unions	4800-00MV	\$1,019.00
34 ZW1017XLP	Thermostatic Mixing Valve, Lead-Free, ASSE1017, Z-Press Press-Fit Unions	4800-00MV	\$994.00
38 ZW1017XLCOMP	Thermostatic Mixing Valve, Lead-Free, Compression, ASSE1017	4800-00MV	\$978.00
12 ZW1017XL-LU	Thermostatic Mixing Valve, Lead-Free, ASSE1017, Less Unions	4800-00MV	\$713.00
12 ZW1017XLHT	Thermostatic Mixing Valve, Lead-Free, FNPT, ASSE1017	4800-00MV	\$1,067.00
12 ZW1017XLHTC	Thermostatic Mixing Valve, Lead-Free, Female CU SWT, ASSE1017	4800-00MV	\$1,128.00
12 ZW1017XLHTCPCV	Thermostatic Mixing Valve, Lead-Free, CPVC, ASSE1017	4800-00MV	\$1,039.00
12 ZW1017XLHTPEX	Thermostatic Mixing Valve, Lead-Free, PEX, ASSE1017	4800-00MV	\$1,039.00
1-ZW1017XLHTC	Thermostatic Mixing Valve, Lead-Free, Female CU SWT, ASSE1017	4800-00MV	\$1,060.00
34 ZW1017XLHT	Thermostatic Mixing Valve, Lead-Free, FNPT, ASSE1017	4800-00MV	\$1,039.00
34 ZW1017XLHTC	Thermostatic Mixing Valve, Lead-Free, Female CU SWT, ASSE1017	4800-00MV	\$1,040.00
34 ZW1017XLHTCPCV	Thermostatic Mixing Valve, Lead-Free, CPVC, ASSE1017	4800-00MV	\$1,039.00
34 ZW1017XLHTM	Thermostatic Mixing Valve, Lead-Free, MNPT, ASSE1017	4800-00MV	\$1,176.00
34 ZW1017XLHTPEX	Thermostatic Mixing Valve, Lead-Free, PEX, ASSE1017	4800-00MV	\$1,039.00
38 ZW1017XLHTCOMP	Thermostatic Mixing Valve, Lead-Free, Compression, ASSE1017	4800-00MV	\$1,149.00
ZW1017XLHT-LU	Thermostatic Mixing Valve, Lead-Free, ASSE1017, Less Unions	4800-00MV	\$945.00
34 ZW1070XLS	TMV, 3/4" FNPT, ASSE 1070 LEAD FREE WITH BS-THREAD-STRAINER	4800-00MV	\$950.00
34 ZW1070XLPXF1960	TMV, 3/4" ZW1070 PEX-F1960 LEAD FREE	4800-00MV	\$950.00
RK12-ZW1070M	TMV 1070 THERMAL MOTOR REPLACEMENT KIT 15-20MM	4800-PART	\$97.00
RK12-ZW1070R	TMV 1070 RUBBER REPAIR KIT 15-20MM AUS	4800-PART	\$18.00
ZW1070/15	WILKINS AQUA GARD THERMOSTATIC MIXING VALVE 15MM (1/2") AUS	4800-00MV	\$979.00
ZW1070/15-M	WILKINS AQUA GARD THERMOSTATIC MIXING VALVE 15MM (1/2") (MALE END) AUS	4800-00MV	\$979.00
ZW1070/20	WILKINS AQUA GARD THERMOSTATIC MIXING VALVE 20MM (3/4") AUS	4800-00MV	\$1,128.00
ZW1070/20-M	WILKINS AQUA GARD THERMOSTATIC MIXING VALVE 20MM (3/4") (MALE END) AUS	4800-00MV	\$1,100.00
ZW1070XL/15	15mm (1/2") Wilkins Aqua Gard Thermostatic Mixing Valve, Lead Free	4800-00MV	\$997.00
ZW1070XL/20	20mm (3/4") Wilkins Aqua Gard Thermostatic Mixing Valve, Lead Free	4800-00MV	\$1,132.00
12 ZW1070XL	Thermostatic Mixing Valve, Lead-Free, FNPT, ASSE1016, ASSE1070	4800-00MV	\$948.00
12 ZW1070XL-2CS1C	1/2" ZW1070XL, CXC W/STD SCREEN LEAD FREE	4800-00MV	\$1,084.00
12 ZW1070XLC	Thermostatic Mixing Valve, Lead-Free, Female CU SWT, ASSE1016, ASSE1070	4800-00MV	\$1,002.00

12-ZW1070XLCPCV	Thermostatic Mixing Valve, Lead-Free, CPVC, ASSE1016, ASSE1070	4800-00MV	\$980.00
12-ZW1070XLPX	Thermostatic Mixing Valve, Lead-Free, PEX, ASSE1016, ASSE1070	4800-00MV	\$948.00
12-ZW1070XLPF	Thermostatic Mixing Valve, Lead-Free, ASSE1016, ASSE1070, Z-Bite Push-Fit Unions	4800-00MV	\$950.00
12-ZW204	12" ZW204 On/Off Fit Viv Glb Body ANSI 150 Flg SS seat Cpr Tube	4800-00MV	\$47,139.00
1-ZW1070XLC	Thermostatic Mixing Valve, Lead-Free, Female CU SWT, ASSE1016, ASSE1070	4800-00MV	\$963.00
34-ZW1070XL	Thermostatic Mixing Valve, Lead-Free, FNPT, ASSE1016, ASSE1070	4800-00MV	\$881.00
34-ZW1070XLC	Thermostatic Mixing Valve, Lead-Free, Female CU SWT, ASSE1016, ASSE1070	4800-00MV	\$881.00
34-ZW1070XLCPCV	Thermostatic Mixing Valve, Lead-Free, CPVC, ASSE1016, ASSE1070	4800-00MV	\$950.00
34-ZW1070XLM	Thermostatic Mixing Valve, Lead-Free, MNPT, ASSE1016, ASSE1070	4800-00MV	\$1,070.00
34-ZW1070XLPX	Thermostatic Mixing Valve, Lead-Free, PEX, ASSE1016, ASSE1070	4800-00MV	\$950.00
34-ZW1070XLPF	Thermostatic Mixing Valve, Lead-Free, ASSE1016, ASSE1070, Z-Bite Push-Fit Unions	4800-00MV	\$1,096.00
34-ZW1070XLP	Thermostatic Mixing Valve, Lead-Free, ASSE1016, ASSE1070, Z-Press Press-Fit Unions	4800-00MV	\$1,067.00
38-ZW1070XLCOMP	Thermostatic Mixing Valve, Lead-Free, Compression, ASSE1016, ASSE1070	4800-00MV	\$974.00
38-ZW1070XLCOMP-CH	3/8" ZW1070XLCOMP W/CHROME PLATE	4800-00MV	\$1,339.00
ZW1070XL-LU	Thermostatic Mixing Valve, Lead-Free, ASSE1016, ASSE1070, Less Unions	4800-00MV	\$782.00
ZW1070XL-LU-LC	TMV, LESS UNION LC ASSE 1070 LEAD FREE	4800-00MV	\$899.00
12-ZW1070XLPXF1960	TMV, 1/2" ZW1070 PEX-F1960 LEAD FREE	4800-00MV	\$957.00
6-ZW200	6" BLUE ANSI Class 150 Flanged ACV	4800-OACV	\$11,327.00
NRS-1XL	1-1/2" NRS BODY NL CAST	4800-OPRV	\$359.00
RK10 ZW200C	10" Zurn Wilkins ZW200 Series ACV Complete Repair Kit, main valve only	4800-PART	\$8,098.00
RK10 ZW200R	Repair Kit For Wilkins ZW200 Series ACV (diaphragm, disc and o-rings)	4800-PART	\$1,930.00
RK10 ZW200SK	10" Zurn Wilkins ZW200 Series ACV Seat Repair Kit, main valve only	4800-PART	\$2,041.00
RK114-112 ZW200C	1-1/4" 81-1/2" Zurn Wilkins ZW200 Series ACV Complete Repair Kit, main valve only	4800-PART	\$893.00
RK114-112 ZW200R	Repair Kit For Wilkins ZW200 Series ACV (diaphragm, disc and o-rings)	4800-PART	\$390.00
RK114-112 ZW200RV	1-1/4" 81-1/2" Zurn Wilkins ZW200 Series ACV Viton Rubber Kit, main valve only	4800-PART	\$920.00
RK114-112 ZW200SK	1-1/4" 81-1/2" Zurn Wilkins ZW200 Series ACV Seat Repair Kit, main valve only	4800-PART	\$194.00
RK114-4 ZPI	REPAIR KIT 1 1/4" - 4" ZW200 POSITION INDICATOR	4800-PART	\$351.00
RK12-PV ACL-2	Repair Kit, 1/283/4" Accelerator Pilot, 2-way, 1-1/4"-10", ZW205E, 209E	4800-PART	\$196.00
RK12-PV ACL-3	Repair Kit, 1/283/4" Accelerator Pilot, 3-way, 4"-10", ZW206, 6"-10" ZW204	4800-PART	\$196.00
RK12-PV-PRD-175	Repair Kit, 1/2" pressure reducing pilot, 50-175 psi 8"-10" ZW209FP	4800-PART	\$283.00
RK12-PV-PRD-25	Repair Kit, 1/2" pressure reducing pilot, 5-25 psi 8"-10" ZW209LP	4800-PART	\$283.00
RK12-PV-PRD-250	Repair Kit, 1/283/4" pressure reducing pilot, 30-250 psi 8"-10" ZW209HP, 209BPHP	4800-PART	\$432.00
RK12-PV-PRD-250V	Repair Kit, 1/283/4" pressure reducing pilot, 30-250 psi ZW209VHP, 209BPVHP	4800-PART	\$760.00
RK12-PV-PRD-300	Repair Kit, 1/2" prs reduc plt, 30-300 psi 8"-10" ZW209HP, 1.25-3" 209BPHP	4800-PART	\$346.00
RK12-PV-PRDST-175	Repair Kit, 1/2" pressure reducing pilot, 50-175 psi SS 8"-10" ZW209FPSP	4800-OACV	\$889.00
RK12-PV-PRDST-25	Repair Kit, 1/2" pressure reducing pilot, 5-25 psi SS 8"-10" ZW209LPS	4800-OACV	\$836.00
RK12-PV-PRDST-250V	Repair Kit, 1/283/4" pressure reducing pilot, 30-250 psi SS plunger	4800-PART	\$810.00
RK12-PV-PRDST-300	Repair Kit, 1/2" prs reduc plt, 30-300 psi SS 8"-10" ZW209HSP, 1.25-3" 209BPHSP	4800-OACV	\$1,014.00
RK12-PV-RLF-15	Repair Kit, 1/2" pressure relief pilot, 5-15 psi ZW205LP3	4800-PART	\$167.00
RK12-PV-RLF-15V	Repair Kit, 1/2" viton pressure relief pilot, 5-15 psi ZW205VLP3	4800-PART	\$301.00
RK12-PV-RLF-200	Repair Kit, 1/2" pressure relief pilot, 50-200 psi ZW205, 205FP	4800-PART	\$304.00
RK12-PV-RLF-200-IV	Repair Kit, 1/2" viton pressure relief pilot, 50-200 psi ZW207V	4800-PART	\$558.00
RK12-PV-RLF-200V	Repair Kit, 1/2" viton pressure relief pilot, 50-200 psi ZW205V	4800-PART	\$555.00
RK12-PV-RLF-300	Repair Kit, 1/2" pressure relief pilot, 150-300 psi ZW205HP, 205FHP	4800-PART	\$273.00
RK12-PV-RLF-300V	Repair Kit, 1/2" viton pressure relief pilot, 150-300 psi ZW205VHP	4800-PART	\$555.00
RK12-PV-RLF-35	Repair Kit, 1/2" pressure relief pilot, 10-35 psi ZW205LP2	4800-PART	\$167.00
RK12-PV-RLF-35V	Repair Kit, 1/2" viton pressure relief pilot, 10-35 psi ZW205VLP2	4800-PART	\$428.00
RK12-PV-RLF-90	Repair Kit, 1/2" pressure relief pilot, 30-90 psi ZW205LP	4800-PART	\$324.00
RK12-PV-RLF-90V	Repair Kit, 1/2" viton pressure relief pilot, 30-90 psi ZW205VLP	4800-PART	\$443.00
RK12 ZW200C	REPAIR KIT, MAIN VALVE ONLY, COMPLETE, ACV, 12"	4800-PART	\$10,518.00
RK12 ZW200R	12" Zurn Wilkins ZW200 Series ACV Rubber Repair Kit, main valve only	4800-PART	\$2,520.00
RK12 ZW200SK	12" Zurn Wilkins ZW200 Series ACV Seat Repair Kit, main valve only	4800-PART	\$2,748.00
RK212-ZW200C	Complete Repair Kit for ZW200 Series ACV	4800-PART	\$1,745.00
RK212-ZW200R	Rubber Repair Kit for ZW200 Series ACV (diaphragm, stem o-rings and disc)	4800-PART	\$522.00
RK212-ZW200RV	2-1/2" Zurn Wilkins ZW200 Series ACV Viton Rubber Repair Kit, main valve only	4800-PART	\$1,098.00
RK212-ZW200SK	Seat Repair Kit for ZW200 Series ACV	4800-PART	\$307.00
RK2-ZW200C	Complete Repair Kit for ZW200 Series ACV	4800-PART	\$1,542.00

RK2-ZW200R	Rubber Repair Kit for ZW200 Series ACV (diaphragm, stem o-rings and disc)	4800-PART	\$462.00
RK2-ZW200RV	2" Zurn Wilkins ZW200 Series ACV Viton Rubber Repair Kit, main valve only	4800-PART	\$1,029.00
RK2-ZW200SK	Seat Repair Kit for ZW200 Series ACV	4800-PART	\$273.00
RK38-PRST	REPAIR KIT 3/8" & 1/2" PRST SS PILOT REGULATOR - ZW209	4800-PART	\$256.00
RK38-PRXL	REPAIR KIT, 3/8" PRXL LEAD FREE	4800-PART	\$113.00
RK38-PV-PRD-175	Repair Kit, 3/8" pressure reducing pilot, 50-175 psi 1-1/4"-6" ZW209FP	4800-PART	\$246.00
RK38-PV-PRD-200V	Repair Kit, 3/8" viton pressure reducing pilot, 20-200 psi 1-1/4"-6" ZW209V	4800-PART	\$341.00
RK38-PV-PRD-25	Repair Kit, 3/8" pressure reducing pilot, 5-25 psi 1-1/4"-6" ZW209LP	4800-PART	\$246.00
RK38-PV-PRD-25V	Repair Kit, 3/8" viton pressure reducing pilot, 5-25 psi 1-1/4"-6" ZW209VLP	4800-PART	\$327.00
RK38-PV-PRD-300	Repair Kit, 3/8" pressure reducing pilot, 30-300 psi 1-1/4"-6" ZW209HP	4800-PART	\$246.00
RK38-PV-PRD-300V	Repair Kit, 3/8" viton pressure reducing pilot, 30-300 psi 1-1/4"-6" ZW209HV	4800-PART	\$390.00
RK38-PV-PRDST-175	Repair Kit, 3/8" pressure reducing pilot, 50-175 psi SS 1-1/4"-6" ZW209FSP	4800-PART	\$251.00
RK38-PV-PRDST-25	Repair Kit, 3/8" pressure reducing pilot, 5-25 psi SS 1-1/4"-6" ZW209LSP	4800-PART	\$251.00
RK38-PV-PRDST-300	Repair Kit, 3/8" pressure reducing pilot, 30-300 psi SS 1-1/4"-6" ZW209HSP	4800-PART	\$251.00
RK38-PV-PRDST-300V	Repair Kit, 3/8" viton pressure reducing pilot, 30-300 psi SS 1-1/4"-6" ZW209VHSP	4800-PART	\$398.00
RK38-RV-COVER	1/4" THRU 1/2" RELIEF VALVE COVER AND BOLTS	4800-PART	\$144.00
RK38-RVSS-COVER	1/4" THRU 1/2" RELIEF VALVE COVER AND BOLTS SS	4800-PART	\$384.00
RK3-ZW200C	Complete Repair Kit for ZW200 Series ACV	4800-PART	\$2,086.00
RK3-ZW200R	Rubber Repair Kit for ZW200 Series ACV (diaphragm, stem o-rings and disc)	4800-PART	\$545.00
RK3-ZW200RV	3" Zurn Wilkins ZW200 Series ACV Viton Rubber Repair Kit, main valve only	4800-PART	\$1,881.00
RK3-ZW200SK	Seat Repair Kit for ZW200 Series ACV	4800-PART	\$355.00
RK4-ZW200C	Complete Repair Kit for ZW200 Series ACV	4800-PART	\$2,390.00
RK4-ZW200R	Rubber Repair Kit for ZW200 Series ACV (diaphragm, stem o-rings and disc)	4800-PART	\$741.00
RK4-ZW200RV	4" Zurn Wilkins ZW200 Series ACV Viton Rubber Repair Kit, main valve only	4800-PART	\$2,685.00
RK4-ZW200SK	Seat Repair Kit for ZW200 Series ACV	4800-PART	\$523.00
RK6-10-ZPI	REPAIR KIT 6" - 10" ZW200 POSITION INDICATOR	4800-PART	\$426.00
RK6-ZW200C	Complete Repair Kit for ZW200 Series ACV	4800-PART	\$4,237.00
RK6-ZW200R	Rubber Repair Kit for ZW200 Series ACV (diaphragm, stem o-rings and disc)	4800-PART	\$1,110.00
RK6-ZW200SK	Seat Repair Kit for ZW200 Series ACV	4800-PART	\$937.00
RK8-ZW200C	Complete Repair Kit for ZW200 Series ACV	4800-PART	\$6,035.00
RK8-ZW200R	Rubber Repair Kit for ZW200 Series ACV (diaphragm, stem o-rings and disc)	4800-PART	\$1,334.00
RK8-ZW200SK	Seat Repair Kit for ZW200 Series ACV	4800-PART	\$1,851.00
RK-PV-FNM	Repair Kit, on/off float pilot, ZW204, includes hydraulic valve only	4800-PART	\$992.00
RKPV-SOL3-120V-COIL	SOLENOID COIL ASCO 238210-032-D 120VAC/60HZ (QUOTE 513071)	4800-PART	\$1,043.00
RKPV-SOL3-24V-COIL	SOLENOID COIL ASCO 238210-005-D 24VAC/60HZ (QUOTE 513071)	4800-PART	\$1,837.00
100-ZW204BSE	DN100 ZW204 On/Off Fit Vlv Glb Body Tbl E Flg SS seat Cpr Tube Remote Mnt Plt	4800-OACV	\$11,101.00
10 ZW204	Float Valve, 150#, Flange x Flange	4800-OACV	\$45,839.00
10 ZW204A	10" ZW204 On/Off Fit Vlv Ang Body ANSI 150 Flg SS seat Cpr Tube Remote Mnt Plt	4800-OACV	\$45,839.00
10 ZW204AVM	10" ZW204 On/Off Fit Vlv Ang Body ANSI 150 Flg SS seat Cpr Tube Valve Mntd Plt	4800-OACV	\$47,544.00
10 ZW204VM	10" ZW204 On/Off Fit Vlv Glb Body ANSI 150 Flg SS seat Cpr Tube Valve Mntd Plt	4800-OACV	\$47,544.00
112-ZW204	Float Valve, 150#, Flange x Flange	4800-OACV	\$5,925.00
112-ZW204ATH	1-1/2" ZW204 On/Off Fit Vlv Ang Body Fem NPT SS seat Cpr Tube Remote Mnt Plt	4800-OACV	\$5,925.00
112-ZW204AVM	1.5" ZW204 On/Off Fit Vlv Ang Body ANSI 150 Flg SS seat Cpr Tube Valve Mntd Plt	4800-OACV	\$7,924.00
112-ZW204BSSP	1.5" ZW204 On/Off Fit Vlv BSPP/G size ISO SS seat Remote Mnt Plt, SS Pilotry	4800-OACV	\$11,600.00
112-ZW204C	1.5" ZW204 On/Off Fit Vlv Glb Body ANSI150 FlgSS seat Cpr Tub Remot Mnt Plt w/Check	4800-OACV	\$6,740.00
112-ZW204CLOTHZRZ	1.5" ZW204 On/Off Fit Vlv Glb Bdy w/Check OpnCls Spd Fem NPT SS seat Indctr Rmt	4800-OACV	\$8,906.00
112-ZW204TH	1.5" ZW204 On/Off Fit Vlv Glb Body Fem NPT SS seat Cpr Tube Remote Mnt Plt	4800-OACV	\$5,925.00
112-ZW204THR3	1.5" ZW204 On/Off Fit Vlv Glb Body Fem NPT SS seat Remote Mnt Plt 3 Ft Ext	4800-OACV	\$6,158.00
112-ZW204THSPVMR1	1.5" ZW204 On/Off Fit Vlv Glb Bdy Fem NPT SS seat SS Piltiry Vlv Mnt Plt 1 Ft Ext	4800-OACV	\$13,739.00
112-ZW204THVM	1.5" ZW204 On/Off Fit Vlv Glb Body Fem NPT SS seat Cpr Tube Valve Mnt Plt	4800-OACV	\$7,175.00
112-ZW204THVMR3	1.5" ZW204 On/Off Fit Vlv Glb Body Fem NPT SS seat Valve Mnt Plt 3 Ft Ext	4800-OACV	\$7,445.00
112-ZW204VM	1.5" ZW204 On/Off Fit Vlv Glb Body ANSI 150 Flg SS seat Cpr Tube Valve Mntd Plt	4800-OACV	\$7,632.00
114-ZW204ATH	1-1/4" ZW204 On/Off Fit Vlv Ang Body Fem NPT SS seat Cpr Tube Remote Mnt Plt	4800-OACV	\$5,925.00
114-ZW204ATHVM	1-1/4" ZW204 On/Off Fit Vlv Ang Bdy Fem NPT SS seat Cpr Tube Valve Mntd Plt	4800-OACV	\$7,632.00
114-ZW204BSSP	1.25" ZW204 On/Off Fit Vlv BSPP/G size ISO SS seat Remote Mnt Plt, SS Pilotry	4800-OACV	\$11,600.00
114-ZW204TH	1.25" ZW204 On/Off Fit Vlv Glb Body Fem NPT SS seat Cpr Tube Remote Mnt Plt	4800-OACV	\$5,925.00
114-ZW204THVM	1.25" ZW204 On/Off Fit Vlv Glb Body Fem NPT SS seat Cpr Tube Valve Mnt Plt	4800-OACV	\$7,524.00
12 ZW204CO	12" ZW204 On/Off Fit Vlv Glb Body ANSI 150 Flg Cpr Tube w/ Check & Opn Spd Cntrl	4800-OACV	\$59,966.00

12-ZW204CVM	12" ZW204 On/Off Fit Vlv Glb Bdy ANSI 150 Flg Cpr Tube w/ Check & Mntd Plt	4800-OACV	\$61,222.00
12-ZW204VM	12" ZW204 On/Off Fit Vlv Glb Body ANSI 150 Flg SS seat Cpr Tube Valve Mntd Plt	4800-OACV	\$54,915.00
212-ZW204	Float Valve, 150#, Flange x Flange	4800-OACV	\$7,096.00
212-ZW204A	2-1/2" ZW204 On/Off Fit Vlv Ang Body ANSI 150 Flg SS seat Cpr Tube	4800-OACV	\$7,096.00
212-ZW204ATHVM	2-1/2" ZW204 On/Off Fit Vlv Ang Bdy Fem NPT SS seat Cpr Tube Valve Mntd Plt	4800-OACV	\$8,802.00
212-ZW204AVM	2-1/2" ZW204 On/Off Fit Vlv Ang Body ANSI 150 Flg SS seat Cpr Tube Valve Mntd Plt	4800-OACV	\$8,803.00
212-ZW204AVMR2-TPS	2-1/2" ZW204 On/Off Fit Vlv Ang Bdy ANSI 150 Flg SS seat Cu Tub Vlv Mntd Plt 2ft w/TPS	4800-OACV	\$20,892.00
212-ZW204AVMR2-TPS-P	2-1/2" ZW204 On/Off Fit Vlv Ang Bdy ANSI 150 Flg SS seat Cu Tb Vlv Mntd Plt 2ft w/Plt	4800-OACV	\$6,911.00
212-ZW204AVMR3	2-1/2" ZW204 On/Off Fit Vlv Ang ANSI 150 Flg SS seat Cpr Tub Val Mnt Pl 3ft. Ext.	4800-OACV	\$9,331.00
212-ZW204AVM-TPS	2-1/2" ZW204 On/Off Fit Vlv Ang Bdy ANSI 150 Flg SS seat Cu Tub Vlv Mntd Plt w/TPS	4800-OACV	\$10,761.00
212-ZW204CLOAVMR2	212" ZW204 On/Off Fit Vlv Cls & Open Spd Cntrl Ang Bdy ANSI 150 Flg Vlv Mntd Plt	4800-OACV	\$11,052.00
212-ZW204CLOAVMR2-TP	212" ZW204 On/Off Fit Vlv Cls & Opn Spd Cntrl Ang Bdy ANSI 150 Flg Vlv Mntd Plt w/TPS	4800-OACV	\$12,862.00
212-ZW204CLOLR2	2-1/2" ZW204 On/Off Fit Vlv Glb Bdy ANSI 150 w/Check Cls & Open Spd Cntrl 2 Ft Ex	4800-OACV	\$9,204.00
212-ZW204CLOVMR2	212" ZW204 On/Off Fit Vlv w/Check Cls&Opn SpdCntrl GlbBdy ANSI 150Flg Vlv Mntd 2ft	4800-OACV	\$10,803.00
212-ZW204GSHVMR2	2.5" ZW204 On/Off Fit Vlv Glb Body IPS Grvd SS seat SS Hose Remote VlvMnt Plt	4800-OACV	\$9,318.00
212-ZW204LA	2-1/2" ZW204 On/Off Fit Vlv Ang Body ANSI 150 Flg Cls Spd Cntrl SS seat Cpr Tube	4800-OACV	\$7,550.00
212-ZW204LOVMR2	2.5" ZW204 On/Off Fit Vlv Cls & Op Spd Cntrl Glb Bdy ANSI 150 Flg Vlv Mnt Plt	4800-OACV	\$10,171.00
212-ZW204PN16	2.5" ZW204 On/Off Fit Vlv Glb Body ISO PN16 Flg SS seat Cpr Tube Remote Mnt Plt	4800-OACV	\$7,096.00
212-ZW204TH	2.5" ZW204 On/Off Fit Vlv Glb Body Fem NPT SS seat Cpr Tube Remote Mnt Plt	4800-OACV	\$7,095.00
212-ZW204VM	2.5" ZW204 On/Off Fit Vlv Glb Body ANSI 150 Flg SS seat Cpr Tube Valve Mntd Plt	4800-OACV	\$8,802.00
212-ZW204VMR2	2.5" ZW204 On/Off Fit Vlv Glb Body ANSI 150 Flg SS seat Cpr Tube Remote VlvMnt P	4800-OACV	\$9,314.00
2-ZW204	Float Valve, 150#, Flange x Flange	4800-OACV	\$6,571.00
2-ZW204A	2" ZW204 On/Off Fit Vlv Ang Body ANSI 150 Flg SS seat Cpr Tube Remote Mnt Plt	4800-OACV	\$6,571.00
2-ZW204ASPSHVMR1	2" ZW204 On/Off Fit Vlv Ang Body ANSI 150 Flg SS Pilotry SS Hose Vlv Mntd Plt	4800-OACV	\$12,474.00
2-ZW204ATH	2" ZW204 On/Off Fit Vlv Ang Glb Body Fem NPT SS seat Cpr Tube Remote Mnt Plt	4800-OACV	\$6,571.00
2-ZW204AVM	2" ZW204 On/Off Fit Vlv Ang Body ANSI 150 Flg SS seat Cpr Tube Valve Mntd Plt	4800-OACV	\$8,273.00
2-ZW204AVMR3	2" ZW204 On/Off Fit Vlv Ang ANSI 150 Flg Cpr Tube Valve Mntd Plt 3ft. Ext.	4800-OACV	\$8,838.00
2-ZW204BT	2" ZW204 On/Off Fit Vlv Glb Body Fem BSPT SS seat Cpr Tube Remote Mnt Plt	4800-OACV	\$6,571.00
2-ZW204C	2" ZW204 On/Off Fit Vlv Glb Body ANSI 150 Flg w/Check SS seat Cpr Tube Rmt Mnt	4800-OACV	\$7,383.00
2-ZW204CGR3	2" ZW204 On/Off Fit Vlv Glb Body Grooved w/Check Rmt Mnt Plt 3' Ext.	4800-OACV	\$7,940.00
2-ZW204CLOAVMR2	2" ZW204 On/Off Fit Vlv Cls & Open Spd Cntrl Ang Bdy ANSI 150 Flg Vlv Mntd Plt	4800-OACV	\$10,412.00
2-ZW204CR1	2" ZW204 On/Off Fit Vlv Glb Bdy ANSI 150 Flg w/Chk SS seat Cpr Tb Rmt Mnt 1' Ext	4800-OACV	\$7,839.00
2-ZW204CTHVMR1	2" ZW204 On/Off Fit Vlv Fem NPT w/Check SS seat Cpr Tube Valve Mntd 1' Ext	4800-OACV	\$9,545.00
2-ZW204ENOMO	2" ZW204 On/Off Fit w/Sind Vlv Glb Bdy ANSI 150 Flg Nrm Opn Man Oprtd	4800-OACV	\$8,931.00
2-ZW204ESOVMMNO	2" ZW204 Flt w/Sind Vlv Glb Bdy ANSI 150 Flg Vlv LS Opn Trp Mnt Plt Nrm Opn 120v	4800-OACV	\$13,941.00
2-ZW204EVMNO	2" ZW204 On/Off Fit w/Sind Vlv Glb Bdy ANSI 150 Flg Vlv Mnt Plt NrmOpn 120vac/60	4800-OACV	\$10,110.00
2-ZW204G	2" ZW204 On/Off Fit Vlv Glb Body IPS Grvd SS seat Cpr Tube Remote Mnt Plt	4800-OACV	\$6,571.00
2-ZW204HL0LP2	2" ZW204 Press Sust On/Off Fit Vlv Glb Bdy ANSI 150 Flg Cls Opn Spd Cntrl 10-35psi	4800-OACV	\$8,817.00
2-ZW204HR3	2" ZW204 Pr Sust On/Off Fit Vlv Glb Bdy ANSI 150 Flg SS seat Remote Mnt Plt 3 Ft	4800-OACV	\$7,570.00
2-ZW204BSER1	2" ZW204 On/Off Fit Vlv Glb Body Tbl E Flg SS seat Cpr Tube Remote Mnt Plt	4800-OACV	\$7,024.00
2-ZW204LG	2" ZW204 On/Off Fit Vlv Glb Body Cls Spd IPS Grvd SS seat Remote Mnt Plt	4800-OACV	\$7,040.00
2-ZW204LOTH	2" ZW204 On/Off Fit Vlv Glb Body Opn Cls Spd Fem NPT SS seat Remote Mnt Plt	4800-OACV	\$7,467.00
2-ZW204R3	2" ZW204 On/Off Fit Vlv Glb Body ANSI 150 Flg SS seat Cpr Tube Mnt Plt 3' Ext.	4800-OACV	\$7,131.00
2-ZW204SP	2" ZW204 On/Off Fit Vlv Glb Body ANSI 150 Flg Cpr Tube Remote Mnt Plt SS Pilotry	4800-OACV	\$10,946.00
2-ZW204SPSHVMR1	2" ZW204 On/Off Fit Vlv Glb Body ANSI 150 Flg SS Pilotry SS Hose Vlv Mntd Plt	4800-OACV	\$12,474.00
2-ZW204TH	2" FLOAT VALVE THREADED	4800-OACV	\$6,571.00
2-ZW204THR1	2" ZW204 On/Off Fit Vlv Glb Body Fem NPT SS seat Remote Mnt Plt 1 Ft Ext	4800-OACV	\$6,686.00
2-ZW204THR2	2" ZW204 On/Off Fit Vlv Glb Body Fem NPT SS seat Remote Mnt Plt 2 Ft Ext	4800-OACV	\$7,488.00
2-ZW204THSHVM	2" ZW204 On/Off Fit Vlv Glb Body Fem NPT SS seat SS Hose Valve Mntd Plt	4800-OACV	\$8,279.00
2-ZW204THSPSHVMR1	2" ZW204 On/Off Fit Vlv Glb Body Fem NPT SS Pilotry SS Hose Vlv Mntd Plt 1 Ft Ext	4800-OACV	\$12,474.00
2-ZW204THVM	2" ZW204 On/Off Fit Vlv Glb Body Fem NPT SS seat Cpr Tube Valve Mntd Plt	4800-OACV	\$8,273.00
2-ZW204VM	2" ZW204 On/Off Fit Vlv Glb Body ANSI 150 Flg SS seat Cpr Tube Valve Mntd Plt	4800-OACV	\$8,273.00

2-ZW204VMR1	2" ZW204 On/Off Fit Vlv Glb Body ANSI 150 Flg SS seat Valve Mntd Plt 1 Ft Ext	4800-OACV	\$8,733.00
2-ZW204VMR2	2" ZW204 On/Off Fit Vlv Glb Body ANSI 150 Flg SS seat Cpr Tube Remote VlvMnt Plt	4800-OACV	\$8,781.00
2-ZW204Y	Non-Modulating Float Valve, Class 300, Flanged x Flanged	4800-OACV	\$7,148.00
3-ZW204	Float Valve, 150#, Flange x Flange	4800-OACV	\$7,754.00
3-ZW204AVM	3" ZW204 On/Off Fit Vlv Ang Body ANSI 150 Flg SS seat Cpr Tube Valve Mntd Plt	4800-OACV	\$9,457.00
3-ZW204AVMR3	3" ZW204 On/Off Fit Vlv Ang ANSI 150 Flg Cpr Tube Valve Mntd Plt 3ft. Ext.	4800-OACV	\$10,023.00
3-ZW204C	3" ZW204 On/Off Fit Vlv Glb Body ANSI 150 Flg w/Check SS seat Cpr Tube Rmt Mnt	4800-OACV	\$8,565.00
3-ZW204CLOAVMR2	3" ZW204 On/Off Fit Vlv w/Chk Opn/Cls Spd Ctrl Ang Bdy ANSI 150 Flg Valve Mnt	4800-OACV	\$11,596.00
3-ZW204CLOAR1	3" ZW204 On/Off Fit Vlv Glb Bdy ANSI 150 w/Check Cls & Open Spd Ctrl 1 Ft Ext	4800-OACV	\$9,532.00
3-ZW204CVM	3" ZW204 On/Off Fit Vlv Glb Body ANSI 150 Flg w/Check Cpr Tube Rmt Mnt Vlv Mntd	4800-OACV	\$10,274.00
3-ZW204CYR1	3" ZW204 On/Off Fit Vlv Glb Body ANSI 300 Flg w/Check SS seat Cpr Tube Rmt Mnt	4800-OACV	\$8,237.00
3-ZW204EGVM24N0	3" ZW204 On/Off Fit w/Sind Vlv Glb Bdy IPS Groov Vlv Mnt Plt NrmOpn 24vac/60hz	4800-OACV	\$12,652.00
3-ZW204G	3" ZW204 On/Off Fit Vlv Glb Body IPS Grvd SS seat Cpr Tube Remote Mnt Plt	4800-OACV	\$9,328.00
3-ZW204GSPR3	3" ZW204 On/Off Fit Vlv Glb Body IPS Grvd SS seat SS Piltry Rmt Mnt Plt 3 Ft Ext	4800-OACV	\$12,597.00
3-ZW204H	3" ZW204 Press Sust On/Off Fit Vlv Glb Body ANSI 150 Flg SS seat Cpr Tube Remote	4800-OACV	\$9,334.00
3-ZW204LGR1	3" ZW204 On/Off Fit Vlv Glb Body Cls Spd Ctrl IPS Grvd Remote Mnt Plt 1 Ft Ext	4800-OACV	\$8,323.00
3-ZW204LOGR1	3" ZW204 On/Off Fit Vlv Glb Body Opn Cls Spd IPS Grvd Remote Mnt Plt 1 Ft Ext	4800-OACV	\$8,766.00
3-ZW204LOR3	3" ZW204 On/Off Fit Glb Bdy Opn Cls Spd ANSI 150 Flg Remote Mnt Plt 3 Ft Ext	4800-OACV	\$8,886.00
3-ZW204LR3	3" ZW204 On/Off Fit Glb Bdy Cls Spd Ctrl ANSI 150 Flg Remote Mnt Plt 3 Ft Ext	4800-OACV	\$8,435.00
3-ZW204O	3" ZW204 On/Off Fit Vlv Glb Bdy Opn Spd Ctr ANSI 150 Flg SS seat Remote Mnt Plt	4800-OACV	\$8,165.00
3-ZW204ORYZ	3" ZW204 On/Off Fit Vlv Red port Bdy Opn Spd Ctrl ANSI 300 Flg SS seat Pos Ind R	4800-OACV	\$8,647.00
3-ZW204R1	3" ZW204 On/Off Fit Vlv Glb Body ANSI 150 Flg SS seat Remote Mnt Plt 1 Ft Ext	4800-OACV	\$8,203.00
3-ZW204R2	3" ZW204 On/Off Fit Vlv Glb Body ANSI 150 Flg SS seat Remote Mnt Plt 2 Ft Ext	4800-OACV	\$8,258.00
3-ZW204SHVMR1	3" ZW204 On/Off Fit Vlv Glb Body ANSI 150 Flg SS seat SS Hose, Valve Mntd Plt	4800-OACV	\$9,912.00
3-ZW204SP	3" ZW204 On/Off Fit Vlv Glb Body ANSI 150 Flg Cpr Tube Remote Mnt Plt SS Piltry	4800-OACV	\$12,032.00
3-ZW204TH	3" FLOAT VALVE THREADED	4800-OACV	\$7,754.00
3-ZW204THR1	3" ZW204 On/Off Fit Vlv Glb Body Fem NPT SS seat Remote Mnt Plt 1 Ft Ext	4800-OACV	\$7,865.00
3-ZW204THR2	3" ZW204 On/Off Fit Vlv Glb Body Fem NPT SS seat Remote Mnt Plt 2 Ft Ext	4800-OACV	\$8,259.00
3-ZW204THVM	3" ZW204 On/Off Fit Vlv Glb Body Fem NPT SS seat Cpr Tube Valve Mntd Plt	4800-OACV	\$9,459.00
3-ZW204VM	3" ZW204 On/Off Fit Vlv Glb Body ANSI 150 Flg SS seat Cpr Tube Valve Mntd Plt	4800-OACV	\$9,457.00
4-ZW204	Float Valve, 150#, Flange x Flange	4800-OACV	\$11,101.00
4-ZW204A	4" ZW204 On/Off Fit Vlv Ang Body ANSI 150 Flg SS seat Cpr Tube Remote Mnt Plt	4800-OACV	\$11,101.00
4-ZW204AG	4" ZW204 On/Off Fit Vlv Ang Body IPS Grvd SS seat Cpr Tube Remote Mnt Plt	4800-OACV	\$11,101.00
4-ZW204AGZSHVMR2	4" ZW204 On/Off Fit Vlv Ang Body IPS Grvd Post Indctr SS Hose Vlv Mntd Plt 2ft	4800-OACV	\$14,270.00
4-ZW204AR1	4" ZW204 On/Off Fit Vlv Ang Body ANSI 150 Flg SS seat Remote Mnt Plt 1 Ft Ext	4800-OACV	\$11,549.00
4-ZW204ASHVM	4" ZW204 On/Off Fit Vlv Ang Body ANSI 150 Flg SS seat SS Hose Valve Mntd Plt	4800-OACV	\$14,381.00
4-ZW204ASP	4" ZW204 On/Off Fit Vlv Ang Bdy ANSI 150 Flg SS seat Remote Mnt Plt SS Piltry	4800-OACV	\$16,103.00
4-ZW204AVM	4" ZW204 On/Off Fit Vlv Ang Body ANSI 150 Flg SS seat Cpr Tube Valve Mntd Plt	4800-OACV	\$12,805.00
4-ZW204AVMR2	4" ZW204 On/Off Fit Vlv Ang Body ANSI 150 Flg SS seat Cpr Tube Vlv Mntd Plt 2ft	4800-OACV	\$13,314.00
4-ZW204AVMR2-PILOT	Pilot Assy, Complete 4-ZW204AVMR2	4800-OACV	\$13,314.00
4-ZW204AVMR3	4" ZW204 On/Off Fit Vlv Ang Body ANSI 150 Flg SS seat Cpr Tube Vlv Mntd Plt 3ft	4800-OACV	\$13,368.00
4-ZW204AY	4" ZW204 On/Off Fit Vlv Ang Body ANSI 300 Flg SS seat Cpr Tube Remote Mnt Plt	4800-OACV	\$11,101.00
4-ZW204C	4" ZW204 On/Off Fit Vlv Glb Body ANSI 150 Flg w/Check SS seat Cpr Tube Rmt Mnt	4800-OACV	\$11,915.00
4-ZW204CLOAVMR2	4" ZW204 On/Off Fit Vlv Cls & Open Spd Ctrl Ang Bdy ANSI 150 Flg Vlv Mntd Plt	4800-OACV	\$15,048.00
4-ZW204CLOAR2	4" ZW204 On/Off Fit Vlv Glb Bdy ANSI 150 w/Check Cls & Open Spd Ctrl 2 foot Ext	4800-OACV	\$13,255.00
4-ZW204CLOVMR2	4" ZW204 On/Off Fit Vlv w/Chk,Cls & Op Spd Ctrl Glb Bdy ANSI 150 Flg Vlv Mnt Plt	4800-OACV	\$14,907.00
4-ZW204CR1	4" On/Off Fit Vlv Glb Body w/Hyd Check 1 Ft Ext	4800-OACV	\$12,363.00
4-ZW204CVM	4" ZW204 On/Off Fit Vlv Glb Body ANSI 150 Flg SS seat Cpr Tube Valve Mntd Plt w/	4800-OACV	\$13,624.00
4-ZW204ENO	4" ZW204 On/Off Fit w/Sind Vlv Glb Body ANSI 150 Flg NrmOpn 120v Remote Mnt Plt	4800-OACV	\$12,939.00
4-ZW204ENO-PILOT-LPV	PILOT ASSY. 4" ZW204ENO LESS PV- FNM	4800-OACV	\$4,910.00
4-ZW204EYVMNOSO	4" ZW204 Fit w/Sind Vlv Glb Bdy ANSI 300 Flg Vlv Mnt Plt Nrm Opn LS Opm Trp	4800-OACV	\$17,668.00
4-ZW204FPR3	4" ZW204 On/Off Fit Fire Vlv Glb Bdy ANSI 150 Flg SS seat Remot Mnt Plt 3 Ft Ext	4800-OACV	\$14,332.00
4-ZW204G	4" ZW204 On/Off Fit Vlv Glb Body IPS Grvd SS seat	4800-OACV	\$11,101.00
4-ZW204GR1	4" ZW204 On/Off Fit Vlv Glb Body IPS Grvd SS seat Remote Mnt Plt 1 Ft Ext	4800-OACV	\$11,323.00

4-ZW204GVMR3	4" ZW204 On/Off Fit Vlv Glb Bdy IPS Grvd Cpr Tube Vlv Mntd Plt, Remote Mnt Plt 3	4800-OACV	\$13,367.00
4-ZW204H	4" ZW204 Press Sust On/Off Fit Vlv Glb Body ANSI 150 Flg SS seat Cpr Tube Remote	4800-OACV	\$12,684.00
4-ZW204LAVM	4" ZW204 On/Off Fit Vlv Cls Spd Ctrl Ang Bdy ANSI 150 Flg Cpr Tube Valve Mntd Plt	4800-OACV	\$13,260.00
4-ZW204LO	4" ZW204 On/Off Fit Vlv Glb Body Opn Cls Spd ANSI 150 Flg SS seat Remote Mnt Plt	4800-OACV	\$11,696.00
4-ZW204LOAR2	4" ZW204 On/Off Fit Vlv Opn/Cls SpdCtrl Ang Bdy ANSI 150Flg Remt Mnt Plt 2ft Ext	4800-OACV	\$12,460.00
4-ZW204LOAVMR3	4" ZW204 On/Off Fit Vlv Opn/Cls Spd Ctrl Ang Bdy ANSI 150 Flg Cpr Tube Valve Mnt	4800-OACV	\$14,272.00
4-ZW204LOSP	4" ZW204 On/Off Fit Vlv Glb Body Opn Cls Spd ANSI 150 Flg Remote Mnt SS Piltry	4800-OACV	\$17,380.00
4-ZW204LVMR3	4" ZW204 On/Off Fit Vlv ClsSpdCtrl Glb Bdy ANSI 150 Flg Cpr Tub Vlv Mntd Plt 3ft	4800-OACV	\$13,763.00
4-ZW204OGR3	4" ZW204 On/Off Fit Vlv Glb Body Opn Spd Ctrl IPS Grvd Remote Mnt Plt 3 Ft Ext	4800-OACV	\$12,113.00
4-ZW204PN16	4" ZW204 On/Off Fit Vlv Glb Body ISO PN16 Flg SS seat Cpr Tube Remote Mnt Plt	4800-OACV	\$11,101.00
4-ZW204PN16SP	4" ZW204 On/Off Fit Vlv Glb Body ISO PN16 Flg SS seat Remote Mnt Plt, SS Piltry	4800-OACV	\$16,777.00
4-ZW204R1	4" ZW204 On/Off Fit Vlv Glb Body ANSI 150 Flg SS seat Remote Mnt Plt 1 Ft Ext	4800-OACV	\$11,549.00
4-ZW204R2	4" ZW204 On/Off Fit Vlv Glb Body ANSI 150 Flg SS seat Remote Mnt Plt 2 Ft Ext	4800-OACV	\$11,274.00
4-ZW204R3	4" ZW204 On/Off Fit Vlv Glb Body ANSI 150 Flg SS seat Remote Mnt Plt 3 Ft Ext	4800-OACV	\$11,660.00
4-ZW204SP	4" ZW204 On/Off Fit Vlv Glb Body ANSI 150 Flg Cpr Tube Remote Mnt Plt SS Piltry	4800-OACV	\$15,103.00
4-ZW204SPR2	4" ZW204 On/Off Fit Vlv Glb Body ANSI 150 Flg Cpr Tube Remote Mnt Plt SS Piltry	4800-OACV	\$15,652.00
4-ZW204VM	4" ZW204 On/Off Fit Vlv Glb Body ANSI 150 Flg SS seat Cpr Tube Valve Mntd Plt	4800-OACV	\$12,805.00
4-ZW204VM-PILOT	Pilot Assy, Complete 4" ZW204VM	4800-OACV	\$2,137.00
4-ZW204VMR1	4" ZW204 On/Off Fit Vlv Glb Body ANSI 150 Flg SS seat Valve Mntd Plt 1 Ft Ext	4800-OACV	\$13,234.00
4-ZW204VMR3	4" ZW204 On/Off Fit Vlv Glb Bdy ANSI 150 Flg SS seat Valve Mntd Plt 3 Ft Ext	4800-OACV	\$13,333.00
4-ZW204Y	Non-Modulating Float Valve, Class 300, Flanged x Flanged	4800-OACV	\$13,364.00
4-ZW204YZSHVMR2	4" ZW204 On/Off Fit Vlv Glb Body ANSI 300 Flg Indctr SS seat Valve Mntd Plt 2 Ft	4800-OACV	\$15,011.00
4-ZW204Z	4" ZW204 On/Off Fit Vlv Glb Body ANSI 150 Flg SS seat Indctr Remote Mnt Plt	4800-OACV	\$11,888.00
65-ZW204BSD	DN65 ZW204 On/Off Fit Vlv Glb Body Tbl D Flg SS seat Cpr Tube Remote Mnt Plt	4800-OACV	\$7,096.00
65-ZW204BSE	DN65 ZW204 On/Off Fit Vlv Glb Body Tbl E Flg SS seat Cpr Tube Remote Mnt Plt	4800-OACV	\$7,754.00
6-ZW204	Float Valve, 150#, Flange x Flange	4800-OACV	\$16,721.00
6-ZW204A	6" ZW204 On/Off Fit Vlv Ang Body ANSI 150 Flg SS seat Cpr Tube	4800-OACV	\$16,931.00
6-ZW204AG	6" ZW204 On/Off Fit Vlv Ang Body IPS Grvd SS seat Cpr Tube Remote Mnt Plt	4800-OACV	\$16,721.00
6-ZW204A-PILOT	Pilot Assy Complete, ZW204A	4800-OACV	\$14,031.00
6-ZW204AR1	6" ZW204 On/Off Fit Vlv Ang Body ANSI 150 Flg SS seat Remote Mnt Plt 1 Ft Ext	4800-OACV	\$17,149.00
6-ZW204AVM	6" ZW204 On/Off Fit Vlv Ang Body ANSI 150 Flg SS seat Cpr Tube Valve Mntd Plt	4800-OACV	\$18,423.00
6-ZW204AVMR2-TPS	6" ZW204 On/Off Fit Vlv Ang Bdy ANSI 150 Flg SS seat Cu Tbl Vlv Mnt Pl 2 Ft Ex w/T	4800-OACV	\$20,892.00
6-ZW204AVMR2-TPS-P	6" ZW204 On/Off Fit Vlv Ang Bdy ANSI 150 Flg SS seat Cu Tub Vlv Mntd Pl 2ft w/Pl	4800-OACV	\$7,133.00
6-ZW204AVMR2-TPS-PILOT	Pilot Assy, Complete 6-ZW204AVMR2-TPS	4800-OACV	\$20,892.00
6-ZW204AVMR3	6" ZW204 On/Off Fit V Ang ANSI 150 Flg Cpr Tube Vlv Mntd Plt 3ft. Ext.	4800-OACV	\$18,988.00
6-ZW204AVMR3RV	6" ZW204 On/Off Fit V Ang ANSI 150 Flg Cpr Tub Vlv Mnt Plt 3ft. Ext. Rev plt	4800-OACV	\$18,988.00
6-ZW204AVM-TPS	6" ZW204 On/Off Fit Vlv Ang Body ANSI 150 Flg SS seat Cu Tub Vlv Mntd Pl w/TPS	4800-OACV	\$18,362.00
6-ZW204C	6" ZW204 On/Off Fit Vlv Glb Body ANSI 150 Flg w/Check SS seat Cpr Tube Rmt Mnt	4800-OACV	\$17,539.00
6-ZW204CLG	6" ZW204 On/Off Fit w/Check Cls Spd Ctrl G Bdy IPS Grvd SS seat Cpr Rmt Mnt P	4800-OACV	\$16,346.00
6-ZW204CLOAGVMR2-TPS	6" ZW204 On/Off Fit Vlv w/Chk Opn/Cls Spd Ctrl Ang Bdy Grooved Vlv Mnt w/TPS	4800-OACV	\$22,481.00
6-ZW204CLOAVMR2	6" ZW204 On/Off Fit Vlv w/Chk Opn/Cls Spd Ctrl Ang Bdy ANSI 150 Flg Valve Mnt	4800-OACV	\$20,666.00
6-ZW204CLOAVMR2-TPS	6" ZW204 On/Off Fit Vlv w/Chk Opn/Cls Spd Ctrl Ang Bdy ANSI 150 Flg Vlv Mnt w/TPS	4800-OACV	\$22,481.00
6-ZW204CLOAR2	6" ZW204 On/Off Fit Vlv Glb Bdy ANSI 150 w/Check Cls & Open Spd Ctrl 2 foot Ext	4800-OACV	\$18,875.00
6-ZW204CLOVMR2	6" ZW204 On/Off Fit Vlv w/Chk Opn/Cls Spd Ctrl Glb Bdy ANSI 150 Flg Valve Mnt	4800-OACV	\$19,684.00
6-ZW204EG24NC	6" ZW204 On/Off Fit w/Sind Vlv Glb Bdy IPS Groov NrmCls 24vac	4800-OACV	\$18,559.00
6-ZW204EGVM24N0	6" ZW204 On/Off Fit w/Sind Vlv Glb Bdy IPS Groov Vlv Mnt Plt NrmOpn 24vac/60hz	4800-OACV	\$20,159.00
6-ZW204EHGNO	6" ZW204 On/Off Fit w/Solnd w/Sustain Vlv Grv Bdy NrmOpn 120v	4800-OACV	\$20,038.00
6-ZW204ELZNO	6" ZW204 On/Off Fit w/Sind Vlv Glb Body ANSI 150 Flg NrmOpn 120v Remote Mnt Plt	4800-OACV	\$19,892.00
6-ZW204ENO	6" ZW204 On/Off Fit w/Sind Vlv Glb Body ANSI 150 Flg NrmOpn 120v Remote Mnt Plt	4800-OACV	\$18,559.00
6-ZW204ERYVMNOSO	6" ZW204 Fit w/Sind Vlv Red port Bdy ANSI 300 Flg Vlv Mnt Plt Nrm Opn LS Opm Trp	4800-OACV	\$17,805.00
6-ZW204FPR3	6" ZW204 On/Off Fit Fire Vlv Glb Bdy ANSI 150 Flg SS seat Remot Mnt Plt 3 Ft Ext	4800-OACV	\$5,409.00
6-ZW204G	6" ZW204 On/Off Fit Vlv Glb Body IPS Grvd SS seat Cpr Tube Remote Mnt Plt	4800-OACV	\$16,721.00
6-ZW204GR1NF	6" GRVD, NON MOD. FLOAT VLV, ROD EXT., NO FLOAT	4800-OACV	\$15,816.00

6-ZW204GR2	6" ZW204 On/Off Fit Vlv Glb Body IPS Grvd SS seat Remote Mnt Pit 2 Ft Ext	4800-OACV	\$15,757.00
6-ZW204HRZLPMGL	6" Float w/Sustain ANSI 150 Flg Indctr 30-90psi Valve Mntd Pit Liq Flld Gauge	4800-OACV	\$21,748.00
6-ZW204LAVM	6" ZW204 On/Off Fit Vlv Cls Spd Ctrl Ang Bdy ANSI 150 Flg Cpr Tube Valve Mntd Pit	4800-OACV	\$17,640.00
6-ZW204LOAG	6" ZW204 On/Off Fit Vlv Opn/Clc Spd Ctrl Ang Bdy IPS Grvd SS seat	4800-OACV	\$16,475.00
6-ZW204LOAR2	6" ZW204 On/Off Fit Vlv Opn/Clc SpdCtrl Ang Bdy ANSI 150Flg Remt Mnt Pit 2Ft Ext	4800-OACV	\$18,059.00
6-ZW204LOAVMR3	6" ZW204 On/Off Fit Vlv Opn/Clc Spd Ctrl Ang Bdy ANSI 150 Flg Cpr Tube Valve Mnt	4800-OACV	\$18,590.00
6-ZW204LOG	6" ZW204 On/Off Fit Vlv Glb Body Opn Cls Spd Body IPS Grvd SS seat Remote Mnt Pit	4800-OACV	\$16,475.00
6-ZW204LVMR3	6" ZW204 On/Off Fit Vlv ClsSpdCtrl Glb Bdy ANSI 150 Flg Cpr Tub Vlv Mntd Pit 3Ft	4800-OACV	\$19,381.00
6-ZW204NI	6" ZW204 On/Off Fit Vlv Glb Body ANSI 150 Flg No pilot Ball Vlv Remote Mnt Pit	4800-OACV	\$16,705.00
6-ZW204PN16	6" ZW204 On/Off Fit Vlv Glb Body ISO PN16 Flg SS seat Cpr Tube Remote Mnt Pit	4800-OACV	\$16,721.00
6-ZW204R1	6" ZW204 On/Off Fit Vlv Glb Body ANSI 150 Flg SS seat Remote Mnt Pit 1 Ft Ext	4800-OACV	\$15,736.00
6-ZW204R2	6" ZW204 On/Off Fit Vlv Glb Body ANSI 150 Flg SS seat Remote Mnt Pit 2 Ft Ext	4800-OACV	\$16,100.00
6-ZW204R3	6" ZW204 On/Off Fit Vlv Glb Body ANSI 150 Flg SS seat Remote Mnt Pit 3 Ft Ext	4800-OACV	\$15,842.00
6-ZW204SHVMR3	6" ZW204 On/Off Fit Vlv Glb Body ANSI 150 Flg Cpr Tube SS Hose Vlv Mntd Pit 3 Ft	4800-OACV	\$17,330.00
6-ZW204VM	6" ZW204 On/Off Fit Vlv Glb Body ANSI 150 Flg SS seat Cpr Tube Valve Mntd Pit	4800-OACV	\$18,423.00
6-ZW204VMR2	6" ZW204 On/Off Fit Vlv Glb Body ANSI 150 Flg Cpr Tube Vlv Mntd Pit 2 Ft	4800-OACV	\$18,900.00
6-ZW204Y	Non-Modulating Float Valve, Class 300, Flanged x Flanged	4800-OACV	\$19,377.00
6-ZW204Z	6" ZW204 On/Off Fit Vlv Glb Body ANSI 150 Flg Indctr SS seat Cpr Tube Remote Mn	4800-OACV	\$17,624.00
6-ZW204ZVMR3	6" ZW204 On/Off Fit Vlv Glb Body ANSI 150 Flg Indctr Cpr Tube Vlv Mntd Pit 3 Ft	4800-OACV	\$19,853.00
80 ZW204BSE	DN80 ZW204 On/Off Fit Vlv Glb Body Tbl E Flg SS seat Cpr Tube Remote Mnt Pit	4800-OACV	\$7,754.00
8-ZW204	Float Valve, 150#, Flange x Flange	4800-OACV	\$29,657.00
8-ZW204APN16VM	8" ZW204 On/Off Fit Vlv Ang Bdy ISO PN16 Flg SS seat Cpr Tb Vlv Mntd Pit	4800-OACV	\$31,258.00
8-ZW204AVM	8" ZW204 On/Off Fit Vlv Ang Body ANSI 150 Flg SS seat Cpr Tube Valve Mntd Pit	4800-OACV	\$31,257.00
8-ZW204AVMR2	8" ZW204 On/Off Fit Vlv Ang Body ANSI 150 Flg SS seat Cpr Tube Val Mntd Pit 2ft.	4800-OACV	\$31,727.00
8-ZW204AVMR3	8" ZW204 On/Off Fit Vlv Ang Body ANSI 150 Flg SS seat Cpr Tube Val Mntd Pit 3ft.	4800-OACV	\$31,780.00
8-ZW204CAPN16VM	8" ZW204 On/Off Fit Vlv Ang Bdy ISO PN16 Flg w/Check SS seat Cpr Tb Vlv Mntd Pit	4800-OACV	\$29,103.00
8-ZW204COAVMR2	8" ZW204 On/Off Fit Vlv w/Chk Opn Spd Ctrl Ang Bdy ANSI 150 Flg Vlv Mnt Pit	4800-OACV	\$32,928.00
8-ZW204COZVMR1	8" ZW204 On/Off Fit Vlv w/Chk Opn Spd Ctr Bdy ANSI 150 Flg Pos Indctr Vlv Mnt Pit	4800-OACV	\$34,416.00
8-ZW204FPR3	8" ZW204 On/Off Fit Fire Vlv Glb Bdy ANSI 150 Flg SS seat Remot Mnt Pit 3 Ft Ext	4800-OACV	\$40,418.00
8-ZW204G	8" ZW204 On/Off Fit Vlv Glb Body IPS Grvd SS seat Remote Mnt Pit	4800-OACV	\$29,334.00
8-ZW204GR1	8" ZW204 On/Off Fit Vlv Glb Body IPS Grvd SS seat Remote Mnt Pit 1 Ft Ext	4800-OACV	\$29,765.00
8-ZW204GVMR2	8" ZW204 On/Off Fit Vlv Glb Bdy IPS Grvd SS Seat Cpr Tube Valv Mntd Pit 2 Ft Ext	4800-OACV	\$31,737.00
8-ZW204OAVMR3	8" ZW204 On/Off Fit Vlv Ang Body ANSI 150 Flg Opn Spd Crt. Cpr Tube Valve Mntd P	4800-OACV	\$32,204.00
8-ZW204OGR1	8" ZW204 On/Off Fit Vlv Glb Body Opn Spd Ctrl IPS Grvd Remote Mnt Pit 1 Ft Ext	4800-OACV	\$30,187.00
8-ZW204ORV	8" ZW204 On/Off Fit Vlv Glb Body ANSI 150 Flg SS seat Opn Spd Crt. Mnt Pit Rev.	4800-OACV	\$31,283.00
8-ZW204R2	8" ZW204 On/Off Fit Vlv Glb Body ANSI 150 Flg SS seat Remote Mnt Pit 2 Ft Ext	4800-OACV	\$30,130.00
8-ZW204R3	8" ZW204 On/Off Fit Vlv Glb Body ANSI 150 Flg SS seat Remote Mnt Pit 3 Ft Ext	4800-OACV	\$30,182.00
8-ZW204VM	8" ZW204 On/Off Fit Vlv Glb Body ANSI 150 Flg SS seat Cpr Tube Valve Mntd Pit	4800-OACV	\$31,258.00
100-ZW205FPBSE	DN100 ZW205 Relief/Sustn Fire Vlv Glb Body Tbl E Flg SS seat 50-200psi Cpr Tube	4800-OACV	\$14,515.00
100-ZW205FPG	DN100 ZW205 Relief/Sustn Fire Vlv Glb Body IPS Grvd SS seat 50-200psi Cpr Tube	4800-OACV	\$14,515.00
100-ZW205FPY	DN100 ZW205 Relief/Sustn Fire Vlv Glb Body ANSI 300 Ft SS seat 50-200psi Cpr Tube	4800-OACV	\$15,694.00
10 ZW205	Pressure Relief/Sustaining Valve, 150#, Flange x Flange	4800-OACV	\$45,437.00
10 ZW205CGL	10" ZW205 Relief/Sustn Vlv Glb Body ANSI 150 Flg SS w/Chk seat 50-200psi Liq. Ga	4800-OACV	\$46,589.00
10 ZW205ELSPNCSC	10" ZW205 Rel/Sust w/Sin Vlv Glb Body 50-200psi Lt SwthSS Cpr Tube NrmCld 120v	4800-OACV	\$50,944.00
10 ZW205FPG	10" ZW205 Relief/Sustn Fire Vlv Glb Body IPS Grvd SS seat 50-200psi Cpr Tube	4800-OACV	\$49,800.00
10 ZW205L	10" ZW205 Relief/Sustn Vlv Glb Body ANSI 150 Flg SS seat 50-200psi Cls Sp Cpr Tub	4800-OACV	\$50,944.00
10 ZW205LOLPP2SP	10" ZW205 Relief/Sustn Vlv Glb Body Opn Cls Spd ANSI 150 Flg SS seat 10-35psi	4800-OACV	\$52,364.00
112-ZW205	Pressure Relief/Sustaining Valve, 150#, Flange x Flange	4800-OACV	\$8,372.00
112-ZW205ATH	1.5" ZW205 Relief/Sustn Vlv Ang Body Fem NPT SS seat 50-200psi Cpr Tube	4800-OACV	\$8,372.00
112-ZW205ATHHPSP	1-1/2" Relief/Sustain Vlv Ang Body Fem NPT 150-300psi SS Pilot Vlv	4800-OACV	\$15,565.00
112-ZW205CLP	1.5" ZW205 Relief/Sustn Vlv Glb Body w/Check ANSI 150 Flg SS seat 30-90psi	4800-OACV	\$9,179.00
112-ZW205G	1.5" ZW205 Relief/Sustn Vlv Glb Body IPS Grvd SS seat 50-200psi Cpr Tube	4800-OACV	\$8,369.00

112-ZW205GGL	1.5" ZW205 Relief/Sustn Vlv Glb Body IPS Grvd SS seat 50-200psi Liq Flld Gauge	4800-OACV	\$8,706.00
112-ZW205LP	1.5" ZW205 Relief/Sustn Vlv Glb Body ANSI 150 Flg SS seat 30-90psi Cpr Tube	4800-OACV	\$8,369.00
112-ZW205LP2	1.5" ZW205 Relief/Sustn Vlv Glb Body ANSI 150 Flg SS seat 10-35psi Cpr Tube	4800-OACV	\$8,369.00
112-ZW205LPGL	1.5" ZW205 Relief/Sustn Vlv Glb Body ANSI 150 Flg SS seat 30-90psi Liq Gauge	4800-OACV	\$8,714.00
112-ZW205OG	1.5" ZW205 Relief/Sustn Vlv Glb Body Opn Spd Ctrl IPS Grvd SS seat 50-200psi	4800-OACV	\$8,819.00
112-ZW205OGLP	1.5" ZW205 Relief/Sustn Vlv Glb Body Opn Spd Ctrl IPS Grvd SS seat 30-90psi	4800-OACV	\$9,154.00
112-ZW205RV	1.5" ZW205 Relief/Sustn Vlv Glb Body ANSI 150 Flg SS seat 50-200psi Cpr Tube Rev	4800-OACV	\$8,369.00
112-ZW205TH	Pressure Relief/Sustaining Valve, 400#, FNPT x FNPT	4800-OACV	\$8,372.00
112-ZW205THGL	1.5" ZW205 Relief/Sustn Vlv Glb Body Fem NPT SS seat 50-200psi Liq Flld Gauge	4800-OACV	\$8,357.00
112-ZW205THLP3	1.5" ZW205 Relief/Sustn Vlv Glb Body Fem NPT SS seat 5-15psi Cpr Tube	4800-OACV	\$8,372.00
112-ZW205THLPRV	1.5" ZW205 Relief/Sustn Vlv Glb Body Fem NPT SS seat 30-90psi Cpr Tube Rev Pil	4800-OACV	\$9,469.00
112-ZW205THRV	1.5" ZW205 Relief/Sustn Vlv Glb Body Fem NPT SS seat 50-200psi Cpr Tube Rev	4800-OACV	\$8,369.00
114-ZW205ATHHPSP	1-1/4" Relief/Sustain Vlv Ang Body Fem NPT 150-300psi SS Pilot Vlv	4800-OACV	\$15,627.00
114-ZW205TH	Pressure Relief/Sustaining Valve, 400#, FNPT x FNPT	4800-OACV	\$8,372.00
114-ZW205THHP	1-1/4" Relief/Sustain Vlv Glb Body Fem NPT 150-300psi SS Cpr Tube	4800-OACV	\$8,701.00
114-ZW205THLP	1.25" ZW205 Relif/Sustn Vlv Glb Body Fem NPT SS seat 30-90psi Cpr Tube	4800-OACV	\$8,139.00
114-ZW205THLP2	1.25" ZW205 Relif/Sustn Vlv Glb Body Fem NPT SS seat 10-35psi Cpr Tube	4800-OACV	\$7,333.00
114-ZW205THLP2GL	1.25" ZW205 Relif/Sustn Vlv Glb Body Fem NPT SS seat 10-35psi Liq Flld Gauge	4800-OACV	\$8,447.00
114-ZW205THZ	1.25" ZW205 Relif/Sustn Vlv Glb Body Fem NPT SS seat Indctr 50-200psi Cpr Tube	4800-OACV	\$9,118.00
114-ZW205THZGL	1.25" ZW205 Relif/Sust Vlv Glb Bdy Fem NPT SS seat Indc 50-200psi Cpr Tub Liq Ga	4800-OACV	\$9,468.00
114-ZW205THZLP2GL	1.25" ZW205 Relief/Sustn Vlv Glb Body Fem NPT Indctr 10-35psi Liq Flld Gauge	4800-OACV	\$8,993.00
114-ZW205THZLPGL	1.25" ZW205 Relief/Sustn Vlv Glb Body Fem NPT Indctr 30-90psi Liq Flld Gauge	4800-OACV	\$9,906.00
114-ZW205THZLPRVGL	1.25" ZW205 Relief/Sust Vlv Glb Bdy Fem NPT Indctr 30-90psi Rev Pil Liq Fil Gauge	4800-OACV	\$9,906.00
114-ZW205THZLPSHRVGL	1.25" ZW205 Relief/Sut Vlv Glb Bdy Fe NPT Indtr 30-90psi Rv Pil Liq Fil Ga SS Hos	4800-OACV	\$9,906.00
12-ZW205	12" ZW205 Relief/Sustain Vlv Glb Body ANSI 150 Flg SS seat Cpr Tubng Brz Ftngs	4800-OACV	\$58,619.00
12-ZW205CGL	12" ZW205 Relief/Sustn Vlv Glb Body ANSI 150 Flg SS w/Chk seat 50-200psi Liq Gge	4800-OACV	\$59,703.00
12-ZW205CZSP	12" ZW205 Relief/Sustn Vlv Glb Body ANSI 150 Flg SS w/Check Indctr & SS Pilot	4800-OACV	\$67,790.00
12-ZW205ELLPNC	12" ZW205 Rel/Sust w/Sin Vlv Glb Bdy 30-90psi Cls Spd Cntrl Tube NrmCld 120v	4800-OACV	\$61,734.00
12-ZW205ELSPNCSC	12" ZW205 Rel/Sust w/Sin Vlv Glb Body 50-200psi Lt SwthSS Cpr Tube NrmCld 120v	4800-OACV	\$65,576.00
12-ZW205LP	12" ZW205 Relief/Sustn Vlv Glb Body ANSI 150 Flg SS seat 30-90psi Cpr Tube	4800-OACV	\$58,619.00
12-ZW206Z4NOP	12" ZW206 Slnd Vlv Glb Body ANSI 150 Flg SS seat NrmOpn Plug	4800-OACV	\$13,470.00
14-ZW205	14" ZW205 Relief/Sustain Vlv Glb Body ANSI 150 Flg SS seat Cpr Tubng Brz Ftngs	4800-OACV	\$94,009.00
14-ZW205LSP	14" ZW205 Rel/Sus Vlv Glb Bdy ANSI 150 Flg SS seat 50-200psi Cpr Tube Cls Sp SS	4800-OACV	\$96,038.00
150-ZW205FPBG	DN150 ZW205 Relief/Sustn Fire Vlv Glb Body BS Grvd SS seat 50-200psi Cpr Tube	4800-OACV	\$20,368.00
150-ZW205FPBSE	DN150 ZW205 Relief/Sustn Fire Vlv Glb Body Tbl E Flg SS seat 50-200psi Cpr Tube	4800-OACV	\$20,368.00
16-ZW205	16" ZW205 Relief/Sustain Vlv Glb Body ANSI 150 Flg SS seat Cpr Tubng Brz Ftngs	4800-OACV	\$109,541.00
16-ZW205CSP-PILOT	Pilot Assy. Complete 16" ZW205SP with Check "Any Connection"	4800-OACV	\$26,689.00
16-ZW205CY	16" ZW205 Relief/Sustn Vlv Glb Body w/Check ANSI 300 Flg SS seat	4800-OACV	\$115,515.00
16-ZW205CZSP	16" ZW205 Relief/Sustn Vlv Glb Body ANSI 150 Flg SS w/Check Indctr & SS Pilot	4800-OACV	\$118,711.00
212-ZW205	Pressure Relief/Sustaining Valve, 150#, Flange x Flange	4800-OACV	\$9,096.00
212-ZW205AHP	3" ZW205 Relief/Sustn Vlv Ang Body ANSI 150 Flg SS seat 150-300psi Cpr Tube	4800-OACV	\$9,426.00
212-ZW205BSE	2.5" ZW205 Relief/Sustn Vlv Glb Body Tbl E Flg SS seat 50-200psi Cpr Tube	4800-OACV	\$8,860.00
212-ZW205FPGHP	2.5" ZW205 Relief/Sustn Fire Vlv Glb Body IPS Grvd SS seat 150-300psi Cpr Tube	4800-OACV	\$10,408.00
212-ZW205FPGZ	2.5" ZW205 Relief/Sustn Fire Vlv Glb Body IPS Grvd SS seat Indctr 50-200psi	4800-OACV	\$11,160.00
212-ZW205GGL	2.5" ZW205 Relief/Sustn Vlv Glb Body IPS Grvd SS seat 50-200psi Liq Flld Gauge	4800-OACV	\$9,431.00
212-ZW205LP3	2.5" ZW205 Relief/Sustn Vlv Glb Body ANSI 150 Flg SS seat 5-15 psi Cpr Tube	4800-OACV	\$9,093.00
212-ZW205RV	2.5" ZW205 Relief/Sustn Vlv Glb Body ANSI 150 Flg SS seat 50-200psi Cpr Tube Rev	4800-OACV	\$8,701.00
212-ZW205TH	2.5" ZW205 Relief/Sustn Vlv Glb Body Fem NPT SS seat 50-200psi Cpr Tube	4800-OACV	\$9,096.00
212-ZW205Y	2.5" ZW205 Relief/Sustn Vlv Glb Body ANSI 300 Flg SS seat 50-200psi Cpr Tube	4800-OACV	\$9,728.00
212-ZW205YLP2GL	2.5" ZW205 Relief/Sust Vlv Glb Bdy ANSI 300 Flg SS Seat 10-35psi Cu Tub W/Liq Gag	4800-OACV	\$8,754.00
2-ZW205	Pressure Relief/Sustaining Valve, 150#, Flange x Flange	4800-OACV	\$8,519.00
2-ZW205ALP	2" ZW205 Relief/Sustn Vlv Ang Body Glb Body ANSI 150 Flg SS seat 10-35 psi Cpr T	4800-OACV	\$8,519.00

2-ZW205ATHGL	2" ZW205 Relif/Sustn Vlv Gb Bdy Spd Ctrl Angle Body Fem NPT 50-200p	4800-OACV	\$8,858.00
2-ZW205ATHHPGL	2" ZW205 Rlf/Sustn Vlv Gb Bdy Spd Ctrl Ang Bdy Fem NPT 150-300psi Liq Fld Gauge	4800-OACV	\$9,581.00
2-ZW205ATHLP	2" ZW205 Relif/Sustn Vlv Ang Body Gb Body Fem NPT SS seat 10-35 psi Cpr Tube	4800-OACV	\$8,519.00
2-ZW205ATHLP2	2" ZW205 Relif/Sustn Vlv Ang Body Gb Body Fem NPT SS seat 10-35 psi Cpr Tube	4800-OACV	\$8,519.00
2-ZW205ATHLPGL	2" ZW205 Relif/Sustn Vlv Ang Body Gb Body Fem NPT SS seat 10-35 psi Liq. Gauge	4800-OACV	\$8,858.00
2-ZW205C	2" ZW205 Relif/Sustn Vlv Gb Body ANSI 150 Flg SS seat 50-200psi Cpr Tube w/ Chc	4800-OACV	\$9,285.00
2-ZW205CGL	2" ZW205 Relif/Sustn V. Gb Body w/Check 150 Flg SS seat 50-200psi Liq Fld Gaug	4800-OACV	\$9,668.00
2-ZW205CHPGL	2" ZW205 Relif/Sustn Vlv Gb Bdy w/Check ANSI 150 Flg 150-300psi Liq Fld Gauge	4800-OACV	\$9,995.00
2-ZW205CLP	2" ZW205 Relif/Sustn Vlv Gb Body w/Check ANSI 150 Flg SS seat 30-90psi	4800-OACV	\$9,285.00
2-ZW205COATHGL	2" ZW205 Relif/Sustn Vlv Gb Bdy w/Check Opn Spd Ctrl Angle Body Fem NPT 50-200p	4800-OACV	\$10,124.00
2-ZW205COGL	2" ZW205 Relif/Sustn Vlv Gb Bdy w/Check Opn Spd Ctrl ANSI 150 Flg 50-200psi Liq	4800-OACV	\$10,124.00
2-ZW205COTHGL	2" ZW205 Relif/Sustn Vlv Gb Bdy w/Check Opn Spd Ctrl Fem NPT 50-200psi Liq Fld	4800-OACV	\$9,728.00
2-ZW205CTH	2" ZW205 Relif/Sustn Vlv Gb Body w/Check Fem NPT 50-200psi	4800-OACV	\$9,285.00
2-ZW205CTHGL	2" ZW205 Relif/Sustn Vlv Gb Body w/Check Fem NPT 50-200psi Liq Fld Gauge	4800-OACV	\$9,434.00
2-ZW205CTHZ	2" ZW205 Relif/Sustn Vlv Gb Body w/Check Fem NPT 50-200psi SS seat Indctr	4800-OACV	\$10,077.00
2-ZW205CYHP	2" ZW205 Relif/Sustn Vlv Gb Body w/Check ANSI 300 Flg 150-300psi	4800-OACV	\$9,309.00
2-ZW205CYHPRV	2" ZW205 Relif/Sustn Vlv Gb Body w/Check ANSI 300 Flg 150-300psi Rev Pilot	4800-OACV	\$9,942.00
2-ZW205CYRV	2" ZW205 Relif/Sustn Vlv Gb Body w/Check ANSI 300 Flg 50-200psi Rev Pilot	4800-OACV	\$9,906.00
2-ZW205ESHNC	2" ZW205 Relif/Sust w/Sind Vlv Gb Bdy ANSI 150 Flg 50-200psi SS Hose NrmCld 120V	4800-OACV	\$11,601.00
2-ZW205ETHNOMO	2" ZW205 Relif/Sust w/Sind Vlv Gb Bdy Fem NPT SS seat 50-200psi NrmOpn 120v MnOp	4800-OACV	\$12,793.00
2-ZW205FPAYHPSP	2" ZW205 Relif/Sustn Fire Vlv Ang Body ANSI 300 Flg SS seat 150-300psi SS Pilot	4800-OACV	\$13,773.00
2-ZW205FPGHP	2" ZW205 Relif/Sustn Fire Vlv Gb Bdy IPS Grvd SS seat 150-300psi Cpr Tube	4800-OACV	\$10,160.00
2-ZW205FPGRV	2" ZW205 Relif/Sustn Fire Vlv Gb Body IPS Grvd SS seat 50-200psi Rev Pilot	4800-OACV	\$8,516.00
2-ZW205FPHT	2" ZW205 Relif/Sustn Fire Vlv Gb Body Fem NPT SS seat 50-200psi Cpr Tube	4800-OACV	\$8,516.00
2-ZW205FPHTHP	2" ZW205 Relif/Sustn Fire Vlv Gb Body Fem NPT SS seat 150-300psi Cpr Tube	4800-OACV	\$8,845.00
2-ZW205FPYHPSP	2" ZW205 Relif/Sustn Fire Vlv Gb Body ANSI 300 Flg SS seat 150-300psi SS Pilot	4800-OACV	\$14,871.00
2-ZW205FPZRV	2" ZW205 Relif/Sustn Fire Vlv Gb Bdy ANSI 150 Flg Pstn Indctr 50-200psi Rev Pil	4800-OACV	\$11,121.00
2-ZW205GL	2" ZW205 Relif/Sustn Vlv Gb Body ANSI 150 Flg SS seat 50-200psi Liq Fld Gauge	4800-OACV	\$8,858.00
2-ZW205HP	2" ZW205 Relif/Sustn Vlv Gb Body ANSI 150 Flg SS seat 30-300psi	4800-OACV	\$8,848.00
2-ZW205HPGL	2" ZW205 Relif/Sustn Vlv Gb Body ANSI 150 Flg SS seat 50-300psi Liq Fld Gauge	4800-OACV	\$9,186.00
2-ZW205LP	2" ZW205 Relif/Sustn Vlv Gb Body ANSI 150 Flg SS seat 30-90psi Cpr Tube	4800-OACV	\$8,519.00
2-ZW205LP2	2" ZW205 Relif/Sustn Vlv Gb Body ANSI 150 Flg SS seat 10-35psi Cpr Tube	4800-OACV	\$8,519.00
2-ZW205LPSO	2" ZW205 Relif/Sustn Vlv Gb Body ANSI 150 Flg SS seat 30-90psi w/Lt Sw Op	4800-OACV	\$12,355.00
2-ZW205O	2" RELIEF VALVE 150# FLNG W/ OPN SPD CNTRL	4800-OACV	\$8,969.00
2-ZW205OATHHP	2" ZW205 Relif/Sustn Vlv Ang Body Opn Spd Ctrl Fem NPT SS seat 150-300 psi Cpr T	4800-OACV	\$9,315.00
2-ZW205OSHGL	2" ZW205 Relif/Sustn Vlv Gb Body Opn Spd Ctrl ANSI 150 Flg SS seat 50-200psi Li	4800-OACV	\$9,309.00
2-ZW205OTHGL	2" ZW205 Relif/Sustn Vlv Gb Body Opn Spd Ctrl Fem NPT 50-200psi Liq Fld Gauge	4800-OACV	\$9,309.00
2-ZW205-PILOT	Pilot Assembly Complete, 2-ZW205	4800-OACV	\$4,410.00
2-ZW205SRV	2" ZW205 Relif/Sustn Vlv Gb Body ANSI 150 Flg SS seat 50-200psi Rev Pilot	4800-OACV	\$8,519.00
2-ZW205TH	Pressure Relief/Sustaining Valve, 400#, FNPT x FNPT	4800-OACV	\$8,519.00
2-ZW205THHP	2" ZW205 Relif/Sustn Vlv Gb Body Fem NPT SS seat 150-300psi Cpr Tube	4800-OACV	\$8,848.00
2-ZW205THHPSP	2" ZW205 Relif/Sustn Vlv Gb Body Fem NPT SS seat 150-300psi SS Pilotry	4800-OACV	\$14,307.00
2-ZW205THLP	2" ZW205 Relif/Sustn Vlv Gb Body Fem NPT SS seat 30-90psi Cpr Tube	4800-OACV	\$8,519.00
2-ZW205THLP3	2" ZW205 Relif/Sustn Vlv Gb Body Fem NPT SS seat 5-15 Opsi Cpr Tube	4800-OACV	\$8,519.00
2-ZW205THLPGL	2" ZW205 Relif/Sustn Vlv Gb Body Fem NPT SS seat 30-90 psi Liq Fld Gauge	4800-OACV	\$8,839.00
2-ZW205THRV	2" RELIEF VALVE THREADED REV.	4800-OACV	\$8,519.00
2-ZW205THSH	2" ZW205 Relif/Sustn Vlv Gb Body Fem NPT SS seat 50-200psi w/ SS Hoses	4800-OACV	\$8,519.00
2-ZW205Y	Pressure Relief/Sustaining Valve, 300#, Flange x Flange	4800-OACV	\$9,097.00
2-ZW205YGL	2" ZW205 Relif/Sustn Vlv Gb Body ANSI 300 Flg SS seat 50-200psi Cpr Tube	4800-OACV	\$9,434.00
2-ZW205YHPSP	2" ZW205 Relif/Sustn Vlv Gb Body ANSI 150 Flg SS seat 150-300psi SS Pilotry	4800-OACV	\$13,582.00
2-ZW205ZLP	2" ZW205 Relif/Sustn Vlv Gb Body ANSI 150 Flg SS seat Indctr 30-90psi Cpr Tube	4800-OACV	\$9,226.00
32 ZW205BT	DN32 ZW205 Relif/Sustn Vlv Gb Body Fem BSPT SS seat 50-200psi Cpr Tube	4800-OACV	\$8,640.00
3-ZW205	Pressure Relief/Sustaining Valve, 150#, Flange x Flange	4800-OACV	\$9,754.00

3-ZW205A	3" ZW205 Relif/Sustn Vlv Ang Body ANSI 150 Flg SS seat 50-200psi Cpr Tube	4800-OACV	\$9,754.00
3-ZW205A-PILOT	Pilot Assy Complete, ZW205A	4800-OACV	\$5,136.00
3-ZW205ATHSO	3" ZW205 Relif/Sustn Vlv Ang Bdy Fem NPT SS seat 50-200psi w/Lmt Swt Op	4800-OACV	\$13,589.00
3-ZW205C	3" ZW205 Relif/Sustn Vlv Gb Body ANSI 150 Flg SS w/Chck seat 50-200psi Cpr Tube	4800-OACV	\$9,193.00
3-ZW205CLP-PILOT	Pilot Assy. Complete ZW205CLP "Any Connection"	4800-OACV	\$2,029.00
3-ZW205COTHZPLGL	3" ZW205 Relif/Sustn Vlv Gb Body Opn Spd Ctrl NPT Thrd W/check 30-90psi Liq Fl	4800-OACV	\$12,340.00
3-ZW205CY	3" ZW205 Relif/Sustn Vlv Gb Body ANSI 300 Flg SS w/Chck seat 50-200psi Cpr Tube	4800-OACV	\$12,018.00
3-ZW205ESHNCRVGL	3" ZW205 Rel/Sust/Sind V Gb Bdy 150 Flg 50-200 SS st NrmCld 120v RevP LiqGauge	4800-OACV	\$11,596.00
3-ZW205EZSHNCMOGL	3" ZW205 Rel/Sust/Sind V Gb Bdy 150 Flg 50-200 SS w/ Pos Ind NrmCld 120v Manl	4800-OACV	\$11,596.00
3-ZW205FPAG	3" ZW205 Relif/Sustn Fire Vlv Ang Body IPS Grvd SS seat 50-200psi Cpr Tube	4800-OACV	\$10,982.00
3-ZW205FPAGHP	3" ZW205 Relif/Sustn Fire Vlv Ang Body IPS Grvd SS seat 150-300psi Cpr Tube	4800-OACV	\$11,311.00
3-ZW205FPAYHP	3" ZW205 Relif/Sustn Fire Vlv Ang Body ANSI 300 Flg SS seat 150-300psi Cpr Tube	4800-OACV	\$11,430.00
3-ZW205FPCAYHP	3" ZW205 Relif/Sustn Fire Vlv Ang Body ANSI 300 Flg w/ Chck 150-300psi Cpr Tube	4800-OACV	\$12,195.00
3-ZW205FPG	3" ZW205 Relif/Sustn Fire Vlv Gb Body IPS Grvd SS seat 50-200psi Cpr Tube	4800-OACV	\$10,982.00
3-ZW205FPGHP	3" Relief/Sustain Fire IPS Grvd 150-300psi	4800-OACV	\$11,311.00
3-ZW205FPGHPRV	3" Relief/Sustain Fire IPS Grvd 150-300psi Rev. Pilot	4800-OACV	\$11,311.00
3-ZW205FPYHP	3" ZW205 Relif/Sustn Fire Vlv Gb Body ANSI 300 Flg SS seat 150-300psi Cpr Tube	4800-OACV	\$11,889.00
3-ZW205GL	3" ZW205 Relif/Sustn Vlv Gb Body ANSI 150 Flg SS seat 50-200psi Liq Fld Gauge	4800-OACV	\$10,216.00
3-ZW205HP	3" ZW205 Relif/Sustn Vlv Gb Body ANSI 150 Flg SS seat 150-300psi Cpr Tube	4800-OACV	\$10,089.00
3-ZW205LP	3" ZW205 Relif/Sustn Vlv Gb Body ANSI 150 Flg SS seat 30-90psi Cpr Tube	4800-OACV	\$9,753.00
3-ZW205LP2	3" ZW205 Relif/Sustn V Gb Body ANSI 150 Flg SS seat 10-35psi Cpr Tube	4800-OACV	\$9,753.00
3-ZW205LPRVGL	3" ZW205 Relif/Sustn Vlv Gb Body ANSI 150 Flg 30-90psi Rev Pilot Liq Fld Gauge	4800-OACV	\$10,092.00
3-ZW205OGL	3" ZW205 Relif/Sustn Gb Bdy Opn Spd Ctrl ANSI 150 Flg 50-200psi Liq Fld Gauge	4800-OACV	\$10,545.00
3-ZW205OYHPGL	3" Relief/Sustain Vlv Gb Body C/s / Opn Spd Ctrl ANSI 300 Flg 30-300psi Liq Fl	4800-OACV	\$11,200.00
3-ZW205-PILOT	Pilot Assy Complete, ZW205	4800-OACV	\$5,136.00
3-ZW205R	3" ZW205 Relif/Sustn Vlv Reduc Port Body ANSI 150 Flg SS seat 15-150psi Cpr Tube	4800-OACV	\$9,174.00
3-ZW205RV	3" ZW205 Relif/Sustn Vlv Gb Body ANSI 150 Flg SS seat 50-200psi Rev Pilot	4800-OACV	\$9,753.00
3-ZW205SH	3" ZW205 Relif/Sustn Vlv Gb Body ANSI 150 Flg SS seat 50-200psi SS Hose	4800-OACV	\$11,331.00
3-ZW205SHGL	3" ZW205 Relif/Sustn Vlv Gb Body ANSI 150 Flg SS seat 50-200psi SS Hose Liq. Ga	4800-OACV	\$10,092.00
3-ZW205SP	3" ZW205 Relif/Sustn Vlv Gb Body ANSI 150 Flg SS seat 50-200psi SS Pilotry	4800-OACV	\$14,763.00
3-ZW205TH	3" ZW205 Relif/Sustn Vlv Gb Body NPT Threaded SS seat 50-200psi	4800-OACV	\$9,775.00
3-ZW205THGL	3" ZW205 Relif/Sustn Vlv Gb Body NPT Threaded SS seat 50-200psi Liq Fld Gauge	4800-OACV	\$10,092.00
3-ZW205Y	Pressure Relief/Sustaining Valve, 300#, Flange x Flange	4800-OACV	\$11,205.00
3-ZW205YLP3GL	3" ZW205 Relif/Sustn V Gb Body ANSI 300 Flg SS seat 5-15psi Cpr Tube Liq Gauge	4800-OACV	\$11,546.00
3-ZW205YRV	3" ZW205 Relif/Sustn Vlv Gb Bdy ANSI 300 Flg SS seat 50-200psi Cpr Tube RevPil	4800-OACV	\$11,204.00
3-ZW205ZLP2	3" ZW205 Relif/Sustn V Gb Body ANSI 150 Flg SS seat Indctr 10-35psi Cpr Tube	4800-OACV	\$10,804.00
3-ZW205ZLP2GL	3" ZW205 Relif/Sustn V Gb Body ANSI 150 Flg SS seat Indctr 10-35psi Cpr Tube Li	4800-OACV	\$11,144.00
3-ZW205ZLPGL	3" ZW205 Relif/Sustn Vlv Gb Body ANSI 150 Flg SS seat 30-90psi Cpr Tube Liq Fl	4800-OACV	\$11,144.00
40-ZW205BT	DN40 ZW205 Relif/Sustn Vlv Gb Body Fem BSPT SS seat 50-200psi Cpr Tube	4800-OACV	\$8,763.00
4-ZW205	Pressure Relief/Sustaining Valve, 150#, Flange x Flange	4800-OACV	\$13,911.00
4-ZW205A	4" ZW205 Relif/Sustn Vlv Ang Body ANSI 150 Flg SS seat 50-200psi Cpr Tube	4800-OACV	\$13,911.00
4-ZW205ALPSPRV	4" ZW205 Relif/Sustn Vlv Ang Body ANSI 150 Flg SS seat 30-90psi SS Pilot Rev	4800-OACV	\$19,271.00
4-ZW205ASC	4" ZW205 Relif/Sustn Vlv Ang Bdy ANSI 150 Flg Limit SwitchSS seat 50-200psi	4800-OACV	\$18,012.00
4-ZW205AYLP	4" ZW205 Relif/Sustn Vlv Ang Body ANSI 300 Flg SS seat 30-90 psi Cpr Tube	4800-OACV	\$16,174.00
4-ZW205C	4" ZW205 Relif/Sustn Vlv Gb Body w/Check ANSI 150 Flg 50-200psi	4800-OACV	\$14,735.00
4-ZW205CGHP	4" ZW205 Relif/Sustn Vlv Gb Body w/Check IPS Grooved 150-300psi	4800-OACV	\$15,065.00
4-ZW205CGL	4" ZW205 Relif/Sustn Vlv Gb Body w/Check ANSI 150 Flg 50-200psi Liq Fld Gauge	4800-OACV	\$15,055.00
4-ZW205CHP	4" ZW205 Relif/Sustn Vlv Gb Body w/Check ANSI 150 Flg 50-200psi	4800-OACV	\$15,065.00
4-ZW205CLPGL	4" ZW205 Relif/Sustn Vlv Gb Body w/Check ANSI 150 Flg SS seat 30-90psi Liq. Gau	4800-OACV	\$15,711.00
4-ZW205CO	4" ZW205 Relif/Sustn Vlv Gb Body Opn Spd Ctrl w/Check ANSI 150 Flg 50-200psi	4800-OACV	\$15,176.00
4-ZW205CORV	4" ZW205 Relif/Sustn Vlv Gb Body Opn & Cld Spd Ctrl w/ Check Rev Pilot 150 Flg	4800-OACV	\$15,176.00
4-ZW205CYHP	4" ZW205 Relif/Sustn Vlv Gb Body w/Check ANSI 300 Flg 150-300psi	4800-OACV	\$16,719.00
4-ZW205CYHPRV	4" ZW205 Relif/Sustn Vlv Gb Body w/Check ANSI 300 Flg 150-300psi Rev Pilot	4800-OACV	\$16,811.00
4-ZW205CYLP	4" ZW205 Relif/Sustn Vlv Gb Body w/Check ANSI 300 Flg SS seat 30-90psi	4800-OACV	\$16,176.00

4-ZW205CYRV	4" ZW205 Relif/Sustn Vlv Glb Body w/Check ANSI 300 Flg 50-200psi Rev Pilot	4800-OACV	\$16,983.00
4-ZW205ELP24NO	4" ZW205 Relif/Sustn w/Sind Vlv Glb Bdy ANSI 150 Flg Lo Pres 30-90psi NrmOpn 24v	4800-OACV	\$17,911.00
4-ZW205ENCMO	4" ZW205 Relif/Sus w/Sind Vlv Glb Bdy ANSI 150 Flg 50-200psi NrmCld 120v Man Op	4800-OACV	\$18,362.00
4-ZW205ENO	4" ZW205 Relif/Sustn w/Sind Vlv Glb Body ANSI 150 Flg 50-200psi NrmOpn 120v	4800-OACV	\$17,911.00
4-ZW205EOLPNOMO	4" ZW205 Relif/Sustn w/Sind Vlv Glb Body Opn Spd Ctrl 30-90psi NrmOpn 120v Man O	4800-OACV	\$18,819.00
4-ZW205EOY24NCLG	4" ZW205 Relif/Sus w/Sind Vlv Glb Bdy ANSI 300 Flg 50-200psi NrmCld24y Liq gau	4800-OACV	\$18,660.00
4-ZW205FPAYHP	4" ZW205 Relif/Sustn Fire Vlv Ang Body ANSI 300 Flg SS seat 150-300psi Cpr Tube	4800-OACV	\$17,206.00
4-ZW205FPAYHPRV	4" ZW205 Relif/Sus Fir V. Ang Bdy ANSI 300 Flg SS seat 150-300psi Cpr Tb Rev Pil	4800-OACV	\$17,206.00
4-ZW205FPAYRV	4" ZW205 Relif/Sustn Fire V. Ang Bdy ANSI 300 Flg SS seat 50-200psi Rev Pilot	4800-OACV	\$15,694.00
4-ZW205FPBSE	4" ZW205 Relif/Sustn Fire Vlv Glb Body Tbl E Flg SS seat 50-200psi Cpr Tube	4800-OACV	\$13,711.00
4-ZW205FPC	4" ZW205 Relif/Sustn Fire Vlv Glb Body w/Check ANSI 150 Flg SS seat 50-200psi C	4800-OACV	\$15,889.00
4-ZW205FPCAYHP	4" ZW205 Relif/Sustn Fire Vlv Ang Bdy W/Chk ANSI 300 Flg SS seat 150-300psi	4800-OACV	\$17,942.00
4-ZW205FPGHP	4" ZW205 Relif/Sustn Fire Vlv Glb Body IPS Grvd SS seat 150-300psi Cpr Tube	4800-OACV	\$15,409.00
4-ZW205FP-PILOT	Pilot Assy. Complete Fire PRV 4" ZW209FP "Any Connection"	4800-OACV	\$7,590.00
4-ZW205FPSP	4" ZW205 Relif/Sustn Fire Vlv Glb Body ANSI 150 Flg SS seat 50-200psi St Pilotry	4800-OACV	\$20,532.00
4-ZW205FPYHP	4" ZW205 Relif/Sustn Fire Vlv Glb Body ANSI 300 Flg SS seat 150-300psi Cpr Tube	4800-OACV	\$17,672.00
4-ZW205G	Pressure Relief/Sustaining Valve, 300#, Grooved x Grooved	4800-OACV	\$13,911.00
4-ZW205GHP	4" RELIEF VLV GRVD, HI PRESS PILOT	4800-OACV	\$14,121.00
4-ZW205GL	4" ZW205 Relif/Sustn Vlv Glb Body ANSI 150 Flg SS seat 50-200psi Liq Flld Gauge	4800-OACV	\$14,243.00
4-ZW205GZ	4" ZW205 Relif/Sustn Vlv Glb Body IPS Grvd SS seat Indctr 50-200psi Cpr Tube	4800-OACV	\$14,692.00
4-ZW205HP	4" ZW205 Relif/Sustn Vlv Glb Body ANSI 150 Flg SS seat 150-300psi Cpr Tube	4800-OACV	\$13,814.00
4-ZW205HPGL	4" ZW205 Relif/Sustn Vlv Glb Body ANSI 150 Flg 150-300psi Cpr Tube Liq Flld Gauge	4800-OACV	\$14,132.00
4-ZW205LP	4" ZW205 Relif/Sustn Vlv Glb Body ANSI 150 Flg SS seat 30-90psi Cpr Tube	4800-OACV	\$13,908.00
4-ZW205LP2	4" ZW205 Relif/Sustn Vlv Glb Body ANSI 150 Flg SS seat 10-35 psi Cpr Tube	4800-OACV	\$13,908.00
4-ZW205LPGL	4" ZW205 Relif/Sustn Vlv Glb Body ANSI 150 Flg 30-90psi Liq Flld Gauge	4800-OACV	\$14,248.00
4-ZW205LP-PILOT	Pilot Assy Complete, 4-ZW205LP	4800-OACV	\$1,980.00
4-ZW205LPRV	4" ZW205 Relif/Sustn Vlv Glb Body ANSI 150 Flg SS seat 30-90psi Rev Pilot	4800-OACV	\$13,908.00
4-ZW205LPRVGL	4" ZW205 Relif/Sustn Vlv Glb Body ANSI 150 Flg 30-90psi Rev Pilot Liq Flld Gauge	4800-OACV	\$14,243.00
4-ZW205LPSHGL	4" ZW205 Relif/Sustn Vlv Glb Body ANSI 150 Flg 30-90psi SS Hose Liq Flld Gauge	4800-OACV	\$14,248.00
4-ZW205OLP	4" ZW205 Relif/Sustn Vlv Glb Body Opn Spd Ctrl ANSI 150 Flg SS seat 30-90psi	4800-OACV	\$14,042.00
4-ZW205OLP3	4" ZW205 Relif/Sustn Vlv Glb Body Opn Spd Ctrl ANSI 150 Flg SS seat 5-15psi	4800-OACV	\$14,357.00
4-ZW205OLPSO	4" ZW205 Relif/Sus Vlv Glb Bd Op Spd Ctrl ANSI 150Flg SS seat 30-90psi w/Lt Sw Op	4800-OACV	\$18,473.00
4-ZW205OYGL	4" ZW205 Relif/Sustn Vlv Glb Bdy Opn Spd Ctrl ANSI 300 Flg 50-200psi Liq Gauge	4800-OACV	\$16,924.00
4-ZW205OZ	4" ZW205 Relif/Sustn Vlv Glb Body Opn Spd Ctrl ANSI 150 Flg Indctr 50-200psi	4800-OACV	\$17,590.00
4-ZW205-PILOT	Pilot Assembly Complete, 4 ZW205	4800-OACV	\$7,584.00
4-ZW205RLP	4" ZW205 Relif/Sustn Reduc Port ANSI 150 Flg SS seat 30-90psi Cpr Tube	4800-OACV	\$11,505.00
4-ZW205RYRV	4" ZW205 Relif/Sustn Reduc Port ANSI 300 Flg SS seat 50-200psi Cpr Tube Rev	4800-OACV	\$13,765.00
4-ZW205SC	4" ZW205 Relif/Sustn Glb Vlv Body ANSI 150 Flg Limit SwitchSS seat 50-200psi	4800-OACV	\$18,012.00
4-ZW205SP	4" ZW205 Relif/Sustn Vlv Glb Body ANSI 150 Flg SS seat 50-200psi SS Pilotry	4800-OACV	\$19,934.00
4-ZW205Y	Pressure Relief/Sustaining Valve, 300#, Flange x Flange	4800-OACV	\$16,175.00
4-ZW205YHP	4" ZW205 Relif/Sustn Vlv Glb Body ANSI 300 Flg SS seat 150-300psi Cpr Tube	4800-OACV	\$16,503.00
4-ZW205Z	4" ZW205 Relif/Sustn Vlv Glb Body ANSI 150 Flg SS seat Indctr 50-200psi Cpr Tube	4800-OACV	\$14,692.00
4-ZW205ZLP2	4" ZW205 Relif/Sustn Vlv Glb Body ANSI 150 Flg SS seat Indctr 10-35psi Cpr Tube	4800-OACV	\$14,959.00
50 ZW205BT	DN50 ZW205 Relif/Sustn Vlv Glb Body Fem BSPT SS seat 50-200psi Cpr Tube	4800-OACV	\$10,336.00
65 ZW205BSE	DN65 ZW205 Relif/Sustn Vlv Glb Body Tbl E Flg SS seat 50-200psi Cpr Tube	4800-OACV	\$8,860.00
65 ZW205FPBG	DN65 ZW205 Relif/Sustn Fire Vlv Glb Body BS Grvd SS seat 50-200psi Cpr Tube	4800-OACV	\$9,995.00
65 ZW205FPBSE	DN65 ZW205 Relif/Sustn Fire Vlv Glb Body Tbl E Flg SS seat 50-200psi Cpr Tube	4800-OACV	\$9,995.00
65 ZW205FPBSEZ	DN65 ZW205 Relif/Sustn Fire Vlv Glb Body Tbl E Flg SS seat Indctr 50-200psi	4800-OACV	\$11,160.00
6-ZW205	Pressure Relief/Sustaining Valve, 150#, Flange x Flange	4800-OACV	\$20,218.00
6-ZW205A	6" ZW205 Relif/Sustn Vlv Ang Body ANSI 150 Flg SS seat 50-200psi Cpr Tube	4800-OACV	\$20,218.00
6-ZW205ALP	6" ZW205 Relif/Sustn Vlv Ang Body ANSI 150 Flg SS seat 30-90 psi Cpr Tube	4800-OACV	\$20,218.00
6-ZW205ASC	6" ZW205 Relif/Sustn Glb Vlv Ang Body ANSI 150 Flg Limit SwitchSS seat 50-200psi	4800-OACV	\$24,322.00
6-ZW205AYHPSPSH	6" ZW205 Relif/Sustn Vlv Ang Body ANSI 300 Flg 150-300psi SS Pilotry SS Hose	4800-OACV	\$29,852.00

6-ZW205AZ	6" ZW205 Relif/Sustn Vlv Ang Body ANSI 150 Flg SS seat Indctr 50-200psi Cpr Tub	4800-OACV	\$21,251.00
6-ZW205C	6" RELIEF VALVE 150# FLNG W/ CHECK	4800-OACV	\$19,654.00
6-ZW205CAYHP	6" ZW205 Relif/Sustn Vlv Glb Bdy ANSI 300 Flg SS w/Chck seat 50-200psi Cpr Tube	4800-OACV	\$21,298.00
6-ZW205CGL	6" ZW205 Relif/Sustn Vlv Glb Body w/Check ANSI 150 Flg SS seat 50-200psi Liq. Ga	4800-OACV	\$19,959.00
6-ZW205CY	6" ZW205 Relif/Sustn Vlv Glb Body w/Check ANSI 300 Flg SS seat 50-200psi	4800-OACV	\$20,982.00
6-ZW205ECOZNO	6" ZW205 Relif/Sustn w/Sind V Glb Bdy w/Chk ANSI 150 Flg 50-200psi NrmCld 120v	4800-OACV	\$22,694.00
6-ZW205ECZNC	6" ZW205 Relif/Sustn w/Sind Vlv Glb Body ANSI 150 Flg 50-200psi NrmCld 120v	4800-OACV	\$22,269.00
6-ZW205ELP24NO	6" ZW205 Relif/Sustn w/Sind Vlv Glb Body ANSI 150 Flg 30-90psi NrmOpn 24vac	4800-OACV	\$20,619.00
6-ZW205ENC	6" ZW205 Relif/Sustn w/Sind Vlv Glb Body ANSI 150 Flg 50-200psi NrmCld 120v	4800-OACV	\$20,054.00
6-ZW205EOZNC	6" Relif/Sustn/Sind Glb Opn Spd Ctrl ANSI 150 Flg Indctr 50-200psi NrmCld 120v	4800-OACV	\$22,894.00
6-ZW205FPAG	6" ZW205 Relif/Sustn Fire Vlv Ang Body IPS Grvd SS seat 50-200psi Cpr Tube	4800-OACV	\$20,368.00
6-ZW205FPAGHP	6" Relief/Sustain Fire Vlv Ang Body Grooved 150-300psi	4800-OACV	\$19,349.00
6-ZW205FPAHP	6" ZW205 Relif/Sustn Fire Vlv Ang Body ANSI 150 Flg SS seat 150-300psi Cpr Tube	4800-OACV	\$17,963.00
6-ZW205FPA-PILOT	Pilot Assy. Complete Fire PRV 6-ZW209FPA "Any Connection"	4800-OACV	\$4,962.00
6-ZW205FPAYHP	6" Relief/Sustain Fire Vlv Ang Body ANSI 300 Flg150-300psi	4800-OACV	\$20,918.00
6-ZW205FPAYSP	6" ZW205 Relif/Sustn Fire Vlv Ang Body ANSI 300 Flg SS seat 50-200psi St Pilotry	4800-OACV	\$24,450.00
6-ZW205FPC	6" ZW205 Relif/Sustn Fire Vlv Glb Body w/Check ANSI 150 Flg SS seat 50-200psi C	4800-OACV	\$19,795.00
6-ZW205FPG	6" ZW205 Relif/Sustn Fire Vlv Glb Body IPS Grvd SS seat 50-200psi Cpr Tube	4800-OACV	\$20,368.00
6-ZW205FPGHP	6" ZW205 Relif/Sustn Fire Vlv Glb Body IPS Grvd SS seat 150-300psi Cpr Tube	4800-OACV	\$20,696.00
6-ZW205FPGHPRV	6" ZW205 Relif/Sustn Fire Vlv Glb Body IPS Grvd SS seat 150-300psi Rev Pilot	4800-OACV	\$20,696.00
6-ZW205FPSP	6" ZW205 Relif/Sustn Fire Vlv Glb Body ANSI 150 Flg SS seat 50-200psi St Pilotry	4800-OACV	\$24,133.00
6-ZW205FPYHP	6" ZW205 Relif/Sustn Fire Vlv Glb Body ANSI 300 Flg SS seat 150-300psi Cpr Tube	4800-OACV	\$20,218.00
6-ZW205G	Pressure Relief/Sustaining Valve, 300#, Grooved x Grooved	4800-OACV	\$20,218.00
6-ZW205GL	6" ZW205 Relif/Sustn Vlv Glb Body ANSI 150 Flg SS seat 50-200psi Liq Flld Gauge	4800-OACV	\$19,319.00
6-ZW205LASCZ	6" ZW205 Relif/Sustn V Cls Spd Ang Bdy ANSI 150 Flg 50-200psi Limit Switch Cpr Tb	4800-OACV	\$24,771.00
6-ZW205LLP2	6" ZW205 Relif/Sustn Vlv Glb Bdy Opn Cls Spd ANSI 150 Flg SS seat 10-35psi	4800-OACV	\$17,559.00
6-ZW205LO	6" ZW205 Relif/Sustn Vlv Glb Body ANSI 150 Flg SS seat 50-200psi Cls/Opn Sp Cpr	4800-OACV	\$21,136.00
6-ZW205LOGL	6" ZW205 Relif/Sus Vlv Glb Bdy Clos/Opn Spd Ctrl ANSI 150 Flg Ind 50-200psi liq g	4800-OACV	\$20,173.00
6-ZW205LOZLPG	6" ZW205 Relif/Sus Vlv Glb Bd Cl/Op Sp Ctr ANSI 150 Flg Indt 30-90 PSI Liq ga	4800-OACV	\$20,002.00
6-ZW205LSP	6" ZW205 Relif/Sustn Vlv Glb Cls Spd Ctrl Bdy ANSI 150 Flg 50-200psi SS Pilotry	4800-OACV	\$24,957.00
6-ZW205OZ	6" ZW205 Relif/Sustn Vlv Glb Body Opn Spd Ctrl ANSI 150 Flg Indctr 50-200psi	4800-OACV	\$20,214.00
6-ZW205-PILOT	PILOT ASSY. COMPLETE, ZW205	4800-OACV	\$5,198.00
6-ZW205RRV	6" ZW205 Rlf/Sustn Vlv Port ANSI 150 Flg SS seat 50-200psi Cpr Tube Rev Pilot	4800-OACV	\$24,368.00
6-ZW205RV	6" ZW205 Rlf/Sustn Vlv Glb Bdy ANSI 150 Flg SS seat 50-200psi Cpr Tube Rev Pilot	4800-OACV	\$20,218.00
6-ZW205SP	6" ZW205 Relif/Sustn Vlv Glb Body ANSI 150 Flg SS seat 50-200psi SS Pilotry	4800-OACV	\$24,527.00
6-ZW205Y	Pressure Relief/Sustaining Valve, 300#, Flange x Flange	4800-OACV	\$22,645.00
6-ZW205Z	6" ZW205 Relif/Sustn Vlv Glb Body ANSI 150 Flg SS seat Indctr 50-200psi Cpr Tube	4800-OACV	\$19,791.00
80-ZW205BSE	DN80 ZW205 Relif/Sustn Vlv Glb Body Tbl E Flg SS seat 50-200psi Cpr Tube	4800-OACV	\$9,753.00
80-ZW205FPBSE	DN80 ZW205 Relif/Sustn Fire Vlv Glb Body Tbl E Flg SS seat 50-200psi Cpr Tube	4800-OACV	\$10,530.00
80-ZW205FPG	DN80 ZW205 Relif/Sustn Fire Vlv Glb Body IPS Grvd SS seat 50-200psi Cpr Tube	4800-OACV	\$10,530.00
8-ZW205	Pressure Relief/Sustaining Valve, 150#, Flange x Flange	4800-OACV	\$30,861.00
8-ZW205ALPSD	8" ZW205 Relif/Sustn Vlv Ang Body ANSI 150 Flg SS seat 30-90psi L.switch DT. SS	4800-OACV	\$36,379.00
8-ZW205CGL	8" ZW205 Relif/Sustn Vlv GlbBdy ANSI150 FlgSS seat 50-200psi CprTb w/Chk LigGuge	4800-OACV	\$31,938.00
8-ZW205CLORLP	8" ZW205 Rel/Sus Vlv Reduc Bdy W/Check & Spd Ctrl ANSI 150 Flg 30-90psi Cpr Tube	4800-OACV	\$22,494.00
8-ZW205ELPNOSC	8" ZW205 Relif/Sustn w/Sind Vlv Glb Body ANSI 150 Flg Lt SwthSS 30-90psi NrmCld	4800-OACV	\$33,024.00
8-ZW205ELPNOSC	8" ZW205 Relif/Sustn w/Sind Vlv Glb Body ANSI 150 Flg Lt SwthSS 30-90psi NrmOpen	4800-OACV	\$33,024.00
8-ZW205ENC	8" ZW205 Relif/Sustn w/Sind Vlv Glb Body ANSI 150 Flg 50-200psi NrmCld 120v	4800-OACV	\$34,305.00
8-ZW205FPAG	8" ZW205 Relif/Sustn Fire Vlv Ang Grv Body ANSI 150 Flg SS seat 50-200psi CprTube	4800-OACV	\$28,775.00
8-ZW205FPAYHP	8" Relief/Sustain Fire Vlv Ang Body ANSI 300 Flg150-300psi	4800-OACV	\$32,503.00
8-ZW205FPG	8" ZW205 Relif/Sustn Fire Vlv Glb Body IPS Grvd SS seat 50-200psi Cpr Tube	4800-OACV	\$30,072.00
8-ZW205FPYHP	8" ZW205 Relif/Sustn Fire Vlv Glb Body ANSI 300 Flg SS seat 150-300psi Cpr Tube	4800-OACV	\$30,053.00
8-ZW205FPZYHP	8" ZW205 Relif/Sustn Fire Vlv Glb Body ANSI 300 Flg SS seat 150-300psi Cpr Tube	4800-OACV	\$32,879.00
8-ZW205GL	8" ZW205 Relif/Sustn Vlv Glb Body ANSI 150 Flg SS seat 50-200psi Liq Gauges	4800-OACV	\$31,177.00

8-ZW205L	8" ZW205 Relief/Sustain Vlv Glb Body ANSI 150 Flg SS seat 50-200psi Cpr Tube Cls Sp	4800-OACV	\$31,274.00
8-ZW205LLP2SP	8" ZW205 Relief/Sustain Vlv Glb Body ANSI 150 Flg SS seat 10-35psi Opm Spd Cnt. SS	4800-OACV	\$36,693.00
8-ZW205LO	8" ZW205 Relief/Sustain Vlv Glb Body ANSI 150 Flg Cls/Opm Spd SS seat 50-200psi	4800-OACV	\$33,942.00
8-ZW205LOALP2SP	8" ZW205 Relief/Sustain Vlv Ang Bdy ANSI 150 Flg Cls & Opm Spd Ctr 10-35psi SS Pilt	4800-OACV	\$30,291.00
8-ZW205LOGGL	8" ZW205 Rlf/Sstn Vlv Glb Body IPS Grvd Opm Cls Spd SS seat 50-200psi Liq Flld G	4800-OACV	\$29,110.00
8-ZW205LP	8" ZW205 Relief/Sustain Vlv Glb Body ANSI 150 Flg SS seat 30-90psi Cpr Tube	4800-OACV	\$30,861.00
8-ZW205LPRV	8" ZW205 Relief/Sustain Vlv Glb Body ANSI 150 Flg SS seat 30-90psi Rev Pilot	4800-OACV	\$30,861.00
8-ZW205SP	8" ZW205 Relief/Sustain Vlv Glb Body ANSI 150 Flg SS seat 50-200psi SS Pilotry	4800-OACV	\$36,494.00
10 ZW205FP	Pressure Relief/Sustaining Valve, 150#, Flange x Flange	4800-OACV	\$45,839.00
10 ZW205FPY	Fire Pump Relief Valve, Class 300, Flanged x Flanged	4800-OACV	\$48,661.00
212-ZW205FP	Pressure Relief/Sustaining Valve, 150#, Flange x Flange	4800-OACV	\$10,411.00
212-ZW205FPG	Pressure Relief/Sustaining Valve, 300#, Grooved x Grooved	4800-OACV	\$10,411.00
212-ZW205FPY	Pressure Relief/Sustaining Valve, 300#, Flange x Flange	4800-OACV	\$10,938.00
2-ZW205FP	Pressure Relief/Sustaining Valve, 150#, Flange x Flange	4800-OACV	\$8,516.00
2-ZW205FPG	Pressure Relief/Sustaining Valve, 300#, Grooved x Grooved	4800-OACV	\$8,516.00
2-ZW205FPGZHPRV	2" ZW205 Relief/Sustn Fire Vlv Glb Bdy IPS Grvd SS seat Indctr 150-300psi Rev Pil	4800-OACV	\$10,841.00
2-ZW205FPY	Pressure Relief/Sustaining Valve, 300#, Flange x Flange	4800-OACV	\$9,174.00
3-ZW205FP	Pressure Relief/Sustaining Valve, 150#, Flange x Flange	4800-OACV	\$10,982.00
3-ZW205FPY	Fire Pump Relief Valve, Class 300, Flanged x Flanged	4800-OACV	\$11,557.00
4-ZW205FP	Pressure Relief/Sustaining Valve, 150#, Flange x Flange	4800-OACV	\$15,078.00
4-ZW205FPG	4" FIRE RELIEF VALVE GRVD	4800-OACV	\$15,078.00
4-ZW205FPGRV	4" FIRE RELIEF VALVE GROOVED REV. PILOT	4800-OACV	\$15,078.00
4-ZW205FPH	4" ZW205 Relief/Sustn Fire Vlv Glb Body ANSI 150 Flg SS seat 150-300psi Cpr Tube	4800-OACV	\$15,635.00
4-ZW205FPH-PILOT	Pilot Assy, Complete Fire PRV ZW205FPH "Any Connection"	4800-OACV	\$3,889.00
4-ZW205FPY	Fire Pump Relief Valve, Class 300, Flanged x Flanged	4800-OACV	\$15,696.00
6-ZW205FP	Pressure Relief/Sustaining Valve, 150#, Flange x Flange	4800-OACV	\$20,368.00
6-ZW205FPY	Fire Pump Relief Valve, Class 300, Flanged x Flanged	4800-OACV	\$19,446.00
8-ZW205FP	Pressure Relief/Sustaining Valve, 150#, Flange x Flange	4800-OACV	\$30,072.00
8-ZW205FPY	Fire Pump Relief Valve, Class 300, Flanged x Flanged	4800-OACV	\$31,030.00
10 ZW205FPA	10" ZW205 Relief/Sustain Fire Vlv Ang Body ANSI 150 Flg SS seat Cpr Tubng Brz Ftngs	4800-OACV	\$49,801.00
212-ZW205FPA	2-1/2" ZW205 Relief/Sustain Fire Vlv Ang Body ANSI 150 Flg SS seat Cpr Tubng Brz Ftngs	4800-OACV	\$10,411.00
212-ZW205FPAG	2-1/2" ZW205 Relief/Sustain Fire Vlv Ang Body IPS Grvd SS seat Cpr Tubng Brz Ftngs	4800-OACV	\$10,411.00
212-ZW205FPAY	2.5" ZW205 Relief/Sustn Fire Vlv Ang Body ANSI 300 Flg SS seat 50-200psi Cpr Tube	4800-OACV	\$11,065.00
2-ZW205FPA	2" ZW205 Relief/Sustain Fire Vlv Ang Body ANSI 150 Flg SS seat Cpr Tubng Brz Ftngs	4800-OACV	\$8,516.00
2-ZW205FPAG	2" ZW205 Relief/Sustain Fire Vlv Ang Body IPS Grvd SS seat Cpr Tubng Brz Ftngs	4800-OACV	\$8,516.00
2-ZW205FPAY	2" ZW205 Relief/Sustain Fire Vlv Ang Body ANSI 300 Flg SS seat Cpr Tubng Brz Ftngs	4800-OACV	\$8,516.00
3-ZW205FPA	3" ZW205 Relief/Sustain Fire Vlv Ang Body ANSI 150 Flg SS seat Cpr Tubng Brz Ftngs	4800-OACV	\$10,982.00
3-ZW205FPAY	3" ZW205 Relief/Sustain Fire Vlv Ang Body ANSI 300 Flg SS seat Cpr Tubng Brz Ftngs	4800-OACV	\$11,323.00
4-ZW205FPA	4" ZW205 Relief/Sustain Fire Vlv Ang Body ANSI 150 Flg SS seat Cpr Tubng Brz Ftngs	4800-OACV	\$15,078.00
4-ZW205FPAG	4" ZW205 Relief/Sustn Fire Vlv Ang Body IPS Grvd SS seat 50-200psi Cpr Tube	4800-OACV	\$15,078.00
4-ZW205FPAGHP	4" ZW205 Relief/Sustn Fire Vlv Ang Body IPS Grvd SS seat 150-300psi Cpr Tube	4800-OACV	\$16,656.00
4-ZW205FPAGRV	4" ZW205 Relief/Sustn Fire Vlv Ang Bdy IPS Grvd SS seat 50-200psi Cpr Tub Rev Pil	4800-OACV	\$15,078.00
4-ZW205FPAY	4" ZW205 Relief/Sustain Fire Vlv Ang Body ANSI 300 Flg SS seat Cpr Tubng Brz Ftngs	4800-OACV	\$15,696.00
6-ZW205FPA	6" ZW205 Relief/Sustain Fire Vlv Ang Body ANSI 150 Flg SS seat Cpr Tubng Brz Ftngs	4800-OACV	\$20,368.00
6-ZW205FPAY	6" ZW205 Relief/Sustain Fire Vlv Ang Body ANSI 300 Flg SS seat Cpr Tubng Brz Ftngs	4800-OACV	\$19,446.00
6-ZW205FPH	6" ZW205 Relief/Sustn Fire Vlv Glb Body ANSI 150 Flg SS seat 150-300psi Cpr Tube	4800-OACV	\$20,509.00
8-ZW205FPA	8" ZW205 Relief/Sustain Fire Vlv Ang Body ANSI 150 Flg SS seat Cpr Tubng Brz Ftngs	4800-OACV	\$30,072.00
8-ZW205FPAY	8" ZW205 Relief/Sustain Fire Vlv Ang Body ANSI 300 Flg SS seat Cpr Tubng Brz Ftngs	4800-OACV	\$31,030.00
10 ZW206LGN	10" ZW206 Slnd Vlv Glb Bdy IPS Grvd Cls Spd Ctrl SS seat Cpr Tb Nrm Cld 120v	4800-OACV	\$47,087.00
10 ZW206LNO	10" ZW206 Slnd Vlv Glb Bdy Cls Spd Ctrl ANSI 150 Flg SS seat Cpr Tb Nrm Cld 120v	4800-OACV	\$47,087.00
10 ZW206NC	10" ZW206 Slnd Vlv Glb Body ANSI 150 Flg SS seat Cpr Tube NrmCld 120v	4800-OACV	\$46,634.00
10 ZW206NCMO	10" ZW206 Slnd Vlv Glb Body ANSI 150 Flg SS seat Cpr Tube NrmCld 120v Manl Op	4800-OACV	\$47,082.00
10 ZW206NO	10" ZW206 Slnd Vlv Glb Body ANSI 150 Flg SS seat Cpr Tube NrmCld 120v	4800-OACV	\$46,634.00
10 ZW206NO-PILOT	PILOT ASSY, COMPLETE, ZW206	4800-OACV	\$8,477.00
112-ZW206CLOTHNC	1.5" ZW206 Slnd Glb Bdy w/Check Opm & Cls Spd Ctrl Fem NPT NrmCld 120v	4800-OACV	\$9,545.00
112-ZW206CONCMO	1.5" ZW206 Slnd Glb Bdy w/Check Opm Spd Ctrl ANSI 150 Flg NrmCld 120v Manl Op	4800-OACV	\$9,519.00
112-ZW206CTH24NOMO	1.5" ZW206 Slnd Vlv Glb Body w/Check Fem NPT SS seat NrmCld 24vac Manl Op	4800-OACV	\$7,956.00
112-ZW206CTH24NOP	1.5" ZW206 Slnd Vlv Glb Body w/Check Fem NPT SS seat NrmCld 24vac Man Op Plug	4800-OACV	\$8,624.00
112-ZW206CTHNO	1.5" ZW206 Slnd Vlv Glb Bdy w/Check Fem NPT SS seat NrmCld 120v	4800-OACV	\$7,485.00
112-ZW206G24NC	1.5" ZW206 Slnd Vlv Glb Body IPS Grvd SS seat Cpr Tube NrmCld 24vac	4800-OACV	\$8,217.00

112-ZW206G24NORV	1.5" ZW206 Slnd Vlv Glb Body IPS Grvd SS seat Cpr Tube NrmCld 24vac Rev Pilot	4800-OACV	\$7,814.00
112-ZW206LNC	1.5" ZW206 Slnd Vlv Glb Body Cls Spd Ctrl ANSI 150 Flg SS seat NrmCld 120v	4800-OACV	\$8,267.00
112-ZW206NC	1.5" ZW206 Slnd Vlv Glb Body ANSI 150 Flg SS seat Cpr Tube NrmCld 120v	4800-OACV	\$8,217.00
112-ZW206NO	1.5" ZW206 Slnd Vlv Glb Body ANSI 150 Flg SS seat Cpr Tube NrmCld 120v	4800-OACV	\$7,814.00
112-ZW206TH240NC	1.5" ZW206 Slnd Vlv Glb Body Fem NPT SS seat Cpr Tube 240vac Nrm Cld	4800-OACV	\$9,176.00
112-ZW206TH24NC	1.5" ZW206 Slnd Vlv Glb Body Fem NPT SS seat Cpr Tube NrmCld 24vac	4800-OACV	\$8,217.00
112-ZW206TH24NCP	1-1/2" ZW206 Slnd Vlv Glb Body Fem NPT SS seat NrmCld Plug for FCS	4800-OACV	\$7,814.00
112-ZW206TH24NO	1.5" ZW206 Slnd Vlv Glb Body Fem NPT SS seat Cpr Tube NrmCld 24vac	4800-OACV	\$7,814.00
112-ZW206TH24NOP	1-1/2" ZW206 Slnd Vlv Glb Body Fem NPT SS seat NrmCld Plug for FCS	4800-OACV	\$7,814.00
112-ZW206THNC	1-1/2" 120VAC NORM CLSD SLND VLV THREADED	4800-OACV	\$7,814.00
112-ZW206THNO	1-1/2" 120VAC NORM OPEN SLND VLV THREADED	4800-OACV	\$7,814.00
112-ZW206THNOMO	1.5" ZW206 Slnd Vlv Glb Body Fem NPT SS seat Cpr Tube NrmCld 120v Manl Op	4800-OACV	\$8,234.00
112-ZW206THZ24NCP	1-1/2" ZW206 Slnd Vlv Glb Body Fem NPT SS seat Indctr NrmCld Plug for FCS	4800-OACV	\$8,563.00
112-ZW206THZ24NOP	1-1/2" ZW206 Slnd Vlv Glb Body Fem NPT SS seat Indctr NrmCld Plug for FCS	4800-OACV	\$8,229.00
112-ZW206ZNO	1.5" ZW206 Slnd Vlv Glb Body ANSI 150 Flg SS seat Cpr Tube Indctr NrmCld 120v	4800-OACV	\$8,565.00
114-ZW206TH24NC	1.25" ZW206 Slnd Vlv Glb Body Fem NPT SS seat Cpr Tube NrmCld 24vac	4800-OACV	\$7,814.00
114-ZW206TH24NCP	1-1/4" ZW206 Slnd Vlv Glb Body Fem NPT SS seat NrmCld Plug for FCS	4800-OACV	\$7,814.00
114-ZW206TH24NO	1.25" ZW206 Slnd Vlv Glb Body Fem NPT SS seat Cpr Tube NrmCld 24vac	4800-OACV	\$7,814.00
114-ZW206TH24NOP	1-1/4" ZW206 Slnd Vlv Glb Body Fem NPT SS seat NrmCld Plug for FCS	4800-OACV	\$7,814.00
114-ZW206TH24NORV	1-1/4" ZW206 Slnd Vlv Glb Body Fem NPT SS seat NrmCld Plug for FCS Rev Pilot	4800-OACV	\$7,814.00
114-ZW206THNC	1.25" ZW206 Slnd Vlv Glb Body Fem NPT SS seat Cpr Tube NrmCld 120v	4800-OACV	\$7,814.00
114-ZW206THNO	1.25" ZW206 Slnd Vlv Glb Body Fem NPT SS seat Cpr Tube NrmCld 120v	4800-OACV	\$7,814.00
114-ZW206THZ24NCP	1-1/4" ZW206 Slnd Vlv Glb Body Fem NPT SS seat Indctr NrmCld Plug for FCS	4800-OACV	\$8,563.00
114-ZW206THZ24NOP	1-1/4" ZW206 Slnd Vlv Glb Body Fem NPT SS seat Indctr NrmCld Plug for FCS	4800-OACV	\$8,563.00
114-ZW206THZNC	1-1/4" 120VAC NORM CLSD SLND VLV W/POS. IND.	4800-OACV	\$8,563.00
114-ZW206THZNO	1.25" ZW206 Slnd Vlv Glb Body Fem NPT SS seat Indctr Cpr Tube NrmCld 120v	4800-OACV	\$8,563.00
212-ZW20624NC	Solenoid Control Valve, 150#, Flanged x Flanged, 24VAC, NC	4800-OACV	\$9,301.00
212-ZW20624NO	Solenoid Control Valve, 150#, Flanged x Flanged, 24VAC, NO	4800-OACV	\$9,301.00
212-ZW206CNO	2.5" ZW206 Slnd Vlv Glb Body w/Check ANSI 150 Flg Nrm Open 120vac	4800-OACV	\$10,067.00
212-ZW206CONC	2.5" ZW206 Slnd Vlv Glb Body w/Check Opm Spd Ctrl ANSI 150 Flg Nrm Cld 120vac	4800-OACV	\$10,518.00
212-ZW206CTH24DCNOM	2.5" ZW206 Slnd Vlv Glb Bdy w/Check Fem NPT SS seat Indctr NrmCld 24vac DC ManlOp	4800-OACV	\$11,310.00
212-ZW206GZ24NCP	2-1/2" ZW206 Slnd Vlv Glb Body IPS Grvd SS seat Indctr NrmCld Plug for FCS	4800-OACV	\$10,049.00
212-ZW206GZSP24NO	2-1/2" ZW206 Slnd Vlv Glb Body IPS Grvd Indctr SS Pilotry NrmCld 24vac	4800-OACV	\$14,790.00
212-ZW206NC	Solenoid Control Valve, 150#, Flanged x Flanged, 120VAC, NC	4800-OACV	\$9,301.00
212-ZW206NO	Solenoid Control Valve, 150#, Flanged x Flanged, 120VAC, NO	4800-OACV	\$9,301.00
212-ZW206ONC	2.5" ZW206 Slnd Vlv Glb Body Opm Spd Ctrl ANSI 150 Flg SS seat NrmCld 120v. PEND	4800-OACV	\$9,751.00
212-ZW206ONO	2-1/2" ZW206 Slnd Vlv Glb Body ANSI 150 Flg Opm Spd Ctrl NrmCld 120v	4800-OACV	\$9,751.00
212-ZW206TH24NC	2-1/2" 24VAC NORM CLSD SLND VLV THREADED	4800-OACV	\$9,301.00
212-ZW206TH24NO	2.5" ZW206 Slnd Vlv Glb Body Fem NPT SS seat Cpr Tube NrmOpen 24vac	4800-OACV	\$9,301.00
212-ZW206THNO	2.5" ZW206 Slnd Vlv Glb Body Fem NPT SS seat Cpr Tube NrmCld 120v	4800-OACV	\$9,297.00
212-ZW206Y230NC	2.5" ZW206 Slnd Vlv Glb Body ANSI 300 Flg SS seat Cpr Tube 230vac NrmCld	4800-OACV	\$11,780.00
212-ZW206Z24NCP	2-1/2" ZW206 Slnd Vlv Glb Bdy ANSI 150 Flg SS seat Indctr NrmCld Plug for FCS	4800-OACV	\$10,049.00
212-ZW206Z24NOP	2-1/2" ZW206 Slnd Vlv Glb Bdy ANSI 150 Flg SS seat Indctr NrmCld Plug for FCS	4800-OACV	\$10,049.00
2-ZW20624NC	Solenoid Control Valve, 150#, Flanged x Flanged, 24VAC, NC	4800-OACV	\$9,202.00
2-ZW20624NO	Solenoid Control Valve, 150#, Flanged x Flanged, 24VAC, NO	4800-OACV	\$9,202.00
2-ZW206AGNO	2" ZW206 Slnd Vlv Ang Body IPS Grvd SS seat Cpr Tube NrmCld 120v	4800-OACV	\$8,802.00
2-ZW206ANC	2" ZW206 Slnd Vlv Ang Body ANSI 150 Flg SS seat Cpr Tube NrmCld 120v	4800-OACV	\$9,202.00
2-ZW206ATHNC	2" ZW206 Slnd Vlv Ang Body Fem NPT SS seat Cpr Tube NrmCld 120v	4800-OACV	\$8,367.00
2-ZW206CLO24DCNOSD	2" ZW206 w/Slnd Vlv Glb Body ANSI 150 Flg w/ Check SS seat Nrm Opn 24vac DC	4800-OACV	\$21,765.00
2-ZW206CNCMO	2" ZW206 Slnd Vlv Glb Body w/Check ANSI 150 Flg SS seat NrmCld 120v Manl Op	4800-OACV	\$10,456.00
2-ZW206CNORV	2" ZW206 Slnd Vlv Glb Bdy w/Check ANSI 150 Flg SS seat NrmCld 120v Rev Pilot	4800-OACV	\$10,020.00
2-ZW206CTH24NOP	2" ZW206 Slnd Vlv Glb Body w/Check Fem NPT SS seat NrmCld 24vac Man Op Plug	4800-OACV	\$10,066.00
2-ZW206CTHNO	2" ZW206 Slnd Vlv Glb Bdy w/Check Fem NPT SS seat NrmCld 120v	4800-OACV	\$10,041.00

2-ZW206CTHNOMO	2" ZW206 Slnd V Glb Bdy w/Check Fem NPT SS seat NrmOpn 120v Manl Op	4800-OACV	\$10,461.00
2-ZW206CTHZ24DCNOMO	2" ZW206 Slnd V Glb Bdy w/Check Fem NPT SS seat Indctr NrmOpn 24vac DC ManlOp	4800-OACV	\$11,213.00
2-ZW206GNO	2" ZW206 Slnd Vlv Glb Body IPS Grvd SS seat Cpr Tube NrmOpn 120v	4800-OACV	\$9,202.00
2-ZW206LNO	2" ZW206 Slnd Vlv Glb Body Cls -Opn Spd Ctrl ANSI 150 Flg SS seat NrmOpn 120v	4800-OACV	\$9,517.00
2-ZW206LONCMO	2" ZW206 Slnd Vlv Glb Body Cls -Opn Spd Ctrl ANSI 150 Flg SS seat NrmCld 120v M	4800-OACV	\$10,554.00
2-ZW206LOZSHNO	2" Slnd Cls Spd Ctrl Opn Spd Ctrl ANSI 150 Flg Pos Indctr SS Hose Nrm Opn 120vac	4800-OACV	\$11,468.00
2-ZW206LTHNC	2" ZW206 Slnd Vlv Glb Body Cls Spd Ctrl Fem NPT SS seat NrmCld 120v	4800-OACV	\$9,281.00
2-ZW206LTHV24NCMO	2" ZW206 Slnd Vlv Glb Bdy Cls Spd Ctrl Fem NPT Viton Rbr NrmCld 24vac Manl Op	4800-OACV	\$11,951.00
2-ZW206LYNC	2" ZW206 Slnd Vlv Glb Body Cls Spd Ctrl ANSI 300 Flg SS seat NrmCld 120v	4800-OACV	\$10,899.00
2-ZW206NC	Solenoid Control Valve, 150#, Flanged x Flanged, 120VAC, NC	4800-OACV	\$9,202.00
2-ZW206NO	Solenoid Control Valve, 150#, Flanged x Flanged, 120VAC, NO	4800-OACV	\$9,202.00
2-ZW206NOMO	2" ZW206 Slnd Vlv Glb Body ANSI 150 Flg SS seat Cpr Tube NrmOpn 120v Manl Op	4800-OACV	\$9,642.00
2-ZW206NS	2" ZW206 w/Slnd Vlv Glb Body ANSI 150 Flg - NS sub assembly do not enter on SO	4800-OACV	\$7,770.00
2-ZW206ONC	2" ZW206 Slnd Vlv Glb Body Opn Spd Ctrl ANSI 150 Flg SS seat NrmCld 120 - PEND	4800-OACV	\$9,651.00
2-ZW206TH24NC	Solenoid Control Valve, 400#, FNPT x FNPT, 24VAC, NC	4800-OACV	\$9,202.00
2-ZW206TH24NCP	2" ZW206 Slnd Vlv Glb Body Fem NPT SS seat NrmCld Plug for FCIS	4800-OACV	\$8,367.00
2-ZW206TH24NO	Solenoid Control Valve, 400#, FNPT x FNPT, 24VAC, NO	4800-OACV	\$9,202.00
2-ZW206TH24NOMO	2" ZW206 Slnd Vlv Glb Body Fem NPT SS seat Cpr Tube NrmOpn 24vac Manl Op	4800-OACV	\$9,767.00
2-ZW206TH24NOP	2" ZW206 Slnd Vlv Glb Body Fem NPT SS seat NrmOpn Plug for FCIS	4800-OACV	\$9,202.00
2-ZW206THNC	Solenoid Control Valve, 400#, FNPT x FNPT, 120VAC, NC	4800-OACV	\$9,202.00
2-ZW206THNCMO	2" 120VAC NORM CLSD W/MAN. OPER. SLND	4800-OACV	\$9,642.00
2-ZW206THNO	Solenoid Control Valve, 400#, FNPT x FNPT, 120VAC, NO	4800-OACV	\$9,202.00
2-ZW206THNOMO	2" ZW206 Slnd Vlv Glb Body Fem NPT SS seat Cpr Tube NrmOpn 120v Manl Op	4800-OACV	\$10,126.00
2-ZW206THNORV	2" ZW206 Slnd Vlv Glb Bdy Fem NPT SS seat Cpr Tube NrmOpn 120v RevPilot	4800-OACV	\$8,845.00
2-ZW206THZ24NCP	2" ZW206 Slnd Vlv Glb Body Fem NPT SS seat Indctr NrmCld Plug for FCIS	4800-OACV	\$9,948.00
2-ZW206THZ24NOP	2" ZW206 Slnd Vlv Glb Body Fem NPT SS seat Indctr NrmOpn 24vac Man Op Plug	4800-OACV	\$9,948.00
2-ZW206THZNOMO	2" ZW206 Slnd Vlv Glb Body Fem NPT SS seat Indctr Cpr Tube NrmOpn 120v Manl Op	4800-OACV	\$10,392.00
2-ZW206THZNORV	2" ZW206 Slnd Vlv Glb Body Fem NPT SS seat Indctr Cpr Tube NrmOpn 120v Rev Pilot	4800-OACV	\$9,948.00
2-ZW206THZSP24NC	2" ZW206 Slnd Vlv Glb Body Fem NPT SS Pilotry NrmCld 24vac Pos. Ind.	4800-OACV	\$15,624.00
2-ZW206V23ONC	2" ZW206 Slnd Vlv Glb Body ANSI 150 Flg 230vac Nrm Cld SS seat Viton Rbr	4800-OACV	\$12,710.00
2-ZW206Z24NO	2" ZW206 Slnd Vlv Glb Body ANSI 150 Flg SS seat Indctr Cpr Tube NrmOpn 24vac	4800-OACV	\$9,948.00
2-ZW206ZNO	2" ZW206 Slnd Vlv Glb Body ANSI 150 Flg SS seat Indctr Cpr Tube NrmOpn 120v	4800-OACV	\$9,948.00
3-ZW206Z3ONC	3" ZW206 Slnd Vlv Glb Body ANSI 150 Flg 230vac Nrm Cld SS seat	4800-OACV	\$12,011.00
3-ZW206Z4ONC	3" ZW206 Slnd Vlv Glb Body ANSI 150 Flg 240vac Nrm Cld SS seat Cpr Tube	4800-OACV	\$7,710.00
3-ZW206Z4NC	Solenoid Control Valve, 150#, Flanged x Flanged, 24VAC, NC	4800-OACV	\$9,756.00
3-ZW206Z4NO	Solenoid Control Valve, 150#, Flanged x Flanged, 24VAC, NO	4800-OACV	\$9,756.00
3-ZW206AGNO	3" ZW206 Slnd Vlv Ang Body IPS Grvd SS seat Cpr Tube NrmOpn 120v	4800-OACV	\$9,756.00
3-ZW206C24DCNO	3" ZW206 w/Slnd Vlv Glb Body ANSI 150 Flg w/Check valve NrmOpn 24vac DC	4800-OACV	\$12,053.00
3-ZW206C24NCMO	3" ZW206 Slnd Vlv Glb Body w/Check ANSI 150 Flg SS seat NrmCld 24v Manl Op	4800-OACV	\$11,019.00
3-ZW206C24NOMO	3" ZW206 Slnd Vlv Glb Body w/Check ANSI 150 Flg SS seat NrmOpn 24vac Manl Op	4800-OACV	\$11,164.00
3-ZW206CGNC	3" ZW206 Slnd Vlv Glb Body IPS Grvd w/Check SS seat NrmCld 120v	4800-OACV	\$10,567.00
3-ZW206CLOTHNC	3" ZW206 Slnd Glb Bdy w/Check Opn & Cls Spd Ctrl Fem NPT NrmCld 120v	4800-OACV	\$11,496.00
3-ZW206CNC	3" ZW206 Slnd Vlv Glb Body w/Check ANSI 150 Flg SS seat NrmCld	4800-OACV	\$10,567.00
3-ZW206CNCMO	3" W/CHECK, NORM CLSD SLND 150 FLNG, MAN OPER.	4800-OACV	\$10,568.00
3-ZW206CNO	3" ZW206 Slnd Vlv Glb Body w/Check ANSI 150 Flg SS seat Cpr Tube NrmOpn 120v	4800-OACV	\$10,578.00
3-ZW206G24NC	3" ZW206 Slnd Vlv Glb Body IPS Grvd SS seat Cpr Tube NrmCld 24vac	4800-OACV	\$9,756.00
3-ZW206G24NO	3" ZW206 Slnd Vlv Glb Body IPS Grvd SS seat Cpr Tube NrmOpn 24vac	4800-OACV	\$9,756.00
3-ZW206G24NOP	3" ZW206 Slnd Vlv Glb Body IPS Grvd SS seat NrmOpn Plug for FCIS	4800-OACV	\$9,756.00
3-ZW206GNO	3" ZW206 Slnd Vlv Glb Body IPS Grvd SS seat Cpr Tube NrmOpn 120v	4800-OACV	\$9,756.00
3-ZW206GZ24NCP	3" ZW206 Slnd Vlv Glb Body IPS Grvd SS seat Indctr NrmCld Plug for FCIS	4800-OACV	\$10,540.00
3-ZW206GZ24NO	3" ZW206 Slnd Vlv Glb Body IPS Grvd SS seat Indctr Cpr Tube NrmOpn 24vac	4800-OACV	\$10,540.00
3-ZW206L24NC	3" ZW206 Slnd Vlv Glb Body Cls Spd Ctrl ANSI 150 Flg SS seat NrmCld 24v	4800-OACV	\$10,209.00
3-ZW206LNC	3" ZW206 Slnd Vlv Glb Body Cls Spd Ctrl ANSI 150 Flg SS seat NrmCld 120v	4800-OACV	\$10,209.00
3-ZW206LNO	3" ZW206 Slnd Vlv Glb Body Cls Spd Ctrl ANSI 150 Flg SS seat NrmOpn 120v	4800-OACV	\$9,756.00

3-ZW206LONC	3" ZW206 Slnd Vlv Glb Body Opn Cls Spd ANSI 150 Flg SS seat NrmCld 120v	4800-OACV	\$10,083.00
3-ZW206LONCMO	3" ZW206 Slnd Vlv Glb Body Opn Cls Spd ANSI 150 Flg SS seat NrmCld 120v Manl Op	4800-OACV	\$10,652.00
3-ZW206LYNO	3" ZW206 Slnd Vlv Glb Body Cls Spd Ctrl ANSI 300 Flg SS seat NrmOpn 120v	4800-OACV	\$11,657.00
3-ZW206LYSC24NO	3" ZW206 Slnd Vlv Glb Body Cls Spd Ctrl ANSI 300 Flg Limit Switch NrmOpn 24vac	4800-OACV	\$15,489.00
3-ZW206NC	Solenoid Control Valve, 150#, Flanged x Flanged, 120VAC, NC	4800-OACV	\$9,756.00
3-ZW206NCMO	3" ZW206 Slnd Vlv Glb Body ANSI 150 Flg SS seat Cpr Tube NrmCld 120v Manl Op	4800-OACV	\$10,200.00
3-ZW206NCRV	3" ZW206 Slnd Vlv Glb Body ANSI 150 Flg SS seat Cpr Tube NrmCld 120v Rev. Pil.	4800-OACV	\$9,756.00
3-ZW206NO	Solenoid Control Valve, 150#, Flanged x Flanged, 120VAC, NO	4800-OACV	\$9,756.00
3-ZW206NOMO	3" ZW206 Slnd Vlv Glb Body ANSI 150 Flg SS seat Cpr Tube NrmOpn 120v Manl Op	4800-OACV	\$10,200.00
3-ZW206GNCMO	3" ZW206 Slnd Vlv Glb Body Opn Spd Ctrl Grooved NrmCld 120v Manl Op	4800-OACV	\$10,652.00
3-ZW206ONO	3" ZW206 Slnd Vlv Glb Body ANSI 150 Flg Opn Spd Ctrl NrmOpn 120v	4800-OACV	\$16,499.00
3-ZW206OTHNO	3" ZW206 Slnd Vlv Glb Body Fem NPT Opn Spd Ctrl NrmOpn 120v	4800-OACV	\$10,211.00
3-ZW206OY24NCMO	3" ZW206 Slnd Vlv Glb Body Opn Spd Ctrl ANSI 300 Flg NrmCld 24vac Manl Op	4800-OACV	\$13,341.00
3-ZW206OZ24NO	3" 24VAC NORM OPN SLND VLV W/OPN SPD CNTRL & POS. IND.	4800-OACV	\$10,987.00
3-ZW206SPNCMO	3" ZW206 Slnd Vlv Glb Body ANSI 150 Flg SS seat SS Pilotry NrmCld 120v Manl Op	4800-OACV	\$15,659.00
3-ZW206TH24NO	3" ZW206 Slnd Vlv Glb Body Fem NPT Opn Spd Ctrl SS seat NrmOpn 24vac	4800-OACV	\$9,756.00
3-ZW206THNC	3" ZW206 Slnd Vlv Glb Body Fem NPT SS seat Cpr Tube NrmCld 120v	4800-OACV	\$9,756.00
3-ZW206VNO	3" ZW206 Slnd Vlv Glb Body ANSI 150 Flg SS seat Viton Rbr Cpr Tube NrmOpn 120v	4800-OACV	\$12,471.00
3-ZW206Y24ONO	3" ZW206 Slnd Vlv Glb Body ANSI 300 Flg SS Seat Cpr Tube 240vac Nrm Opn	4800-OACV	\$12,477.00
3-ZW206Y24DCNO	3" ZW206 w/Slnd Vlv Glb Body ANSI 300 Flg SS seat NrmOpn 24vac DC	4800-OACV	\$9,806.00
3-ZW206YNC	3" 300# FLNG, 120VAC NORM CLSD SLND VLV	4800-OACV	\$11,205.00
3-ZW206YNO	3" ZW206 Slnd Vlv Glb Body ANSI 300 Flg SS seat Cpr Tube Nrm Opn 120v	4800-OACV	\$11,205.00
3-ZW206Z24NCP	3" ZW206 Slnd Vlv Glb Body ANSI 150 Flg SS seat Indctr NrmCld Plug for FCIS	4800-OACV	\$10,540.00
3-ZW206Z24NOP	3" ZW206 Slnd Vlv Glb Body ANSI 150 Flg SS seat Indctr NrmOpn Plug for FCIS	4800-OACV	\$10,597.00
3-ZW206ZNCMO	3" 120VAC NORM CLSD SLND 150 FLNG W/ POS IND, MAN OPER.	4800-OACV	\$11,422.00
4-ZW206Z3ONC	4" ZW206 Slnd Vlv Glb Body ANSI 150 Flg 230vac Nrm Cld SS seat	4800-OACV	\$12,011.00
4-ZW206Z4NC	Solenoid Control Valve, 150#, Flanged x Flanged, 24VAC, NC	4800-OACV	\$13,626.00
4-ZW206Z4NO	Solenoid Control Valve, 150#, Flanged x Flanged, 24VAC, NO	4800-OACV	\$13,626.00
4-ZW206Z4DCNO	4" ZW206 w/Slnd Vlv Glb Body ANSI 150 Flg w/Check valve NrmOpn 24vac DC	4800-OACV	\$15,532.00
4-ZW206Z4NCP	4" ZW206 Slnd Vlv Glb Body w/Check ANSI 150 Flg SS seat NrmCld 24vac Man Op Plug	4800-OACV	\$14,444.00
4-ZW206Z4NCRV	4" ZW206 Slnd Vlv Glb Body w/Check ANSI 150 Flg SS seat NrmC Rev Pilotry	4800-OACV	\$14,444.00
4-ZW206Z4NOP	4" ZW206 Slnd Vlv Glb Body w/Check ANSI 150 Flg SS seat NrmOpn 24vac Man Op Plug	4800-OACV	\$14,443.00
4-ZW206CG24DCNOMO	4" ZW206 Slnd Vlv Glb Bdy w/Check IPS Grvd SS seat Cpr Tube NrmCld 24vac	4800-OACV	\$14,883.00
4-ZW206CGZNO	4" ZW206 Slnd Vlv Glb Body w/Check IPS Grvd SS seat Indctr Cpr Tube NrmOpn 120v	4800-OACV	\$15,672.00
4-ZW206CLO24NC	4" ZW206 Slnd Vlv Glb Body w/Check Opn Cls Spd ANSI 150 Flg Cpr Tube NrmCld 24v	4800-OACV	\$15,367.00
4-ZW206CLONC	4" ZW206 Slnd Vlv Glb Body w/Check Opn Cls Spd ANSI 150 Flg Cpr Tube NrmCld 120	4800-OACV	\$15,367.00
4-ZW206CNC	4" ZW206 Slnd Vlv Glb Body w/Check ANSI 150 Flg SS seat Cpr Tube NrmCld 120v	4800-OACV	\$14,443.00
4-ZW206CNCMO	4" ZW206 Slnd Vlv Glb Body w/Check ANSI 150 Flg SS seat NrmCld 120v Manl Op	4800-OACV	\$13,539.00
4-ZW206CNCRV	4" ZW206 Slnd Vlv Glb Body w/Check ANSI 150 Flg SS seat Cpr Tube NrmCld 120v Re	4800-OACV	\$14,444.00
4-ZW206CNO	4" ZW206 Slnd Vlv Glb Body w/Check ANSI 150 Flg SS seat Cpr Tube NrmOpn 120v	4800-OACV	\$14,443.00
4-ZW206CNOMO	4" ZW206 Slnd Vlv Glb Body w/Check ANSI 150 Flg Cpr Tube NrmOpn 120v Manl Op	4800-OACV	\$14,863.00
4-ZW206CZNO	4" ZW206 Slnd Vlv Glb Body w/Check ANSI 150 Flg SS seat Indctr NrmOpn 120v	4800-OACV	\$14,926.00
4-ZW206G24NC	4" ZW206 Slnd Vlv Glb Body IPS Grvd SS seat Cpr Tube NrmCld 24vac	4800-OACV	\$13,106.00
4-ZW206G24NCP	4" ZW206 Slnd Vlv Glb Body IPS Grvd SS seat NrmCld Plug for FCIS	4800-OACV	\$13,626.00
4-ZW206G24NOP	4" ZW206 Slnd Vlv Glb Body IPS Grvd SS seat NrmOpn Plug for FCIS	4800-OACV	\$13,626.00
4-ZW206GNC	4" ZW206 Slnd Vlv Glb Body IPS Grvd SS seat Cpr Tube NrmCld 120v	4800-OACV	\$13,626.00
4-ZW206GNCMO	4" ZW206 Slnd Vlv Glb Body IPS Grvd SS seat Cpr Tube NrmCld 120v Manl Op	4800-OACV	\$14,076.00
4-ZW206GNO	4" ZW206 Slnd Vlv Glb Body IPS Grvd SS seat Cpr Tube NrmOpn 120v	4800-OACV	\$13,626.00
4-ZW206GNOMO	4" ZW206 Slnd Vlv Glb Body IPS Grvd SS seat Cpr Tube NrmOpn 120v Manl Op	4800-OACV	\$14,078.00
4-ZW206GZ24NOP	4" ZW206 Slnd Vlv Glb Body IPS Grvd SS seat Indctr NrmOpn Plug for FCIS	4800-OACV	\$14,466.00
4-ZW206GZNC	4" ZW206 Slnd Vlv Glb Body IPS Grvd SS seat Indctr Cpr Tube NrmCld 120v	4800-OACV	\$14,411.00
4-ZW206GZNO	4" ZW206 Slnd Vlv Glb Body IPS Grvd SS seat Indctr Cpr Tube NrmOpn 120v	4800-OACV	\$14,411.00

4-ZW206L24NCOMOSD	4" ZW206 Slnd Vlv Gb Body Cls Spd Ctrl ANSI 150 Flg SS seat NrmCld Man Opr	4800-OACV	\$28,910.00
4-ZW206L24NC	4" ZW206 Slnd Vlv Gb Body Cls Spd Ctrl ANSI 150 Flg SS seat NrmCld 24v	4800-OACV	\$14,080.00
4-ZW206LNC	4" ZW206 Slnd Vlv Gb Body Cls Spd Ctrl ANSI 150 Flg SS seat NrmCld 120v	4800-OACV	\$14,081.00
4-ZW206LONC	4" ZW206 Slnd Vlv Gb Body Opn Cls Spd ANSI 150 Flg SS seat NrmCld 120v	4800-OACV	\$14,530.00
4-ZW206LONCMO	4" ZW206 Slnd Vlv Gb Body Opn Cls Spd ANSI 150 Flg SS seat NrmCld 120v Manl Op	4800-OACV	\$14,521.00
4-ZW206LONO	4" 120VAC NORM OPN W/CLSD & OPN SPD CNTRL	4800-OACV	\$14,530.00
4-ZW206LOZNO	4" ZW206 Slnd Vlv Gb Body Opn Cls Spd ANSI 150 Flg SS seat Indctr NrmOpn 120v	4800-OACV	\$15,308.00
4-ZW206LZNC	4" 120VAC NRM CLSD SLND VLV W/CLS SPD, POS IND	4800-OACV	\$14,860.00
4-ZW206LZNRV	4" ZW206 Slnd Vlv Gb Bdy Cls Spd Ctrl ANSI 150 Flg Indctr NrmOpn 120v Rev Pilot	4800-OACV	\$14,411.00
4-ZW206LZSPNOMO	4" ZW206 Slnd Vlv Gb Body Cls Spd Ctrl ANSI 150 Flg SS seat SS Pilotry NrmOpn 1	4800-OACV	\$21,078.00
4-ZW206NC	Solenoid Control Valve, 150#, Flanged x Flanged, 120VAC, NC	4800-OACV	\$13,626.00
4-ZW206NCMO	4" 120VAC NORM CLSD SLND, 150# FLNG W/ MAN. OPER.	4800-OACV	\$14,513.00
4-ZW206NC-PILOT	PILOT ASSY. COMPLETE, 4 ZW206NC	4800-OACV	\$6,349.00
4-ZW206NCRV	4" ZW206 Slnd Vlv Gb Body ANSI 150 Flg SS seat Cpr Tube NrmCld 120v Rev. Pilot	4800-OACV	\$13,626.00
4-ZW206NO	Solenoid Control Valve, 150#, Flanged x Flanged, 120VAC, NO	4800-OACV	\$13,626.00
4-ZW206NOMO	4" 120VAC NORM OPEN W/ MAN. OPER. SLND	4800-OACV	\$14,513.00
4-ZW206O12DCNOMO	4" ZW206 Slnd Vlv Gb Body Opn Spd Ctrl ANSI 150 Flg SS seat NrmCld 12V DC	4800-OACV	\$15,336.00
4-ZW206ONOMO	4" ZW206 Slnd Vlv Gb Body Opn Spd Ctrl ANSI 150 Flg SS seat NrmOpn 120vac Man Op	4800-OACV	\$14,534.00
4-ZW206OZ24NO	4" 24VAC NORM OPN SLND VLV W/OPN SPD CNTRL & POS. IND.	4800-OACV	\$14,860.00
4-ZW206R23ONC	4" ZW206 Slnd Vlv Gb Reduc Port 230vac Nrm Cld SS seat	4800-OACV	\$13,626.00
4-ZW206R24NC	4" ZW206 Slnd Vlv Gb Reduc Port 24vac Nrm Cld SS seat	4800-OACV	\$11,221.00
4-ZW206SDSP24NC	4" ZW206 Slnd Vlv Gb Bdy ANSI 150 Flg Lmt Swtch Dual Trip SS Pilo NrmCld 24vac	4800-OACV	\$26,433.00
4-ZW206SPNCMO	4" ZW206 Slnd Vlv Gb Body ANSI 150 Flg SS seat SS Pilotry NrmCld 120v Manl Op	4800-OACV	\$19,662.00
4-ZW206VNO	4" ZW206 Slnd Vlv Gb Body ANSI 150 Flg SS seat Viton Rbr Cpr Tube NrmOpn 120v	4800-OACV	\$17,256.00
4-ZW206Y24NO	4" ZW206 Slnd Vlv Gb Body ANSI 150 Flg SS seat Cpr Tube NrmOpn 24vac	4800-OACV	\$15,146.00
4-ZW206YNC	4" 120VAC NORM CLSD SLND VLV 300# FLNG	4800-OACV	\$15,889.00
4-ZW206YNCMO	4" ZW206 Slnd Vlv Gb Body ANSI 300 Flg SS seat Cpr Tube NrmCld 120v Manl Op	4800-OACV	\$15,918.00
4-ZW206YZNC	4" ZW206 Slnd Vlv Gb Body ANSI 300 Flg SS seat Indctr Cpr Tube NrmCld 120v	4800-OACV	\$16,672.00
4-ZW206Z24NCP	4" ZW206 Slnd Vlv Gb Body ANSI 150 Flg SS seat Indctr Cpr Tube NrmCld 24vac	4800-OACV	\$14,411.00
4-ZW206Z24NOMO	4" 24VAC NORM OPN W/ POS. IND & MAN OPER. SLND	4800-OACV	\$15,291.00
4-ZW206Z24NCP	4" ZW206 Slnd Vlv Gb Body ANSI 150 Flg SS seat Indctr Cpr Tube NrmOpn 24vac	4800-OACV	\$14,466.00
4-ZW206ZNC	4" 120VAC NORM CLSD SLND 150# FLNG, POS IND.	4800-OACV	\$14,412.00
4-ZW206ZNCMO	4" ZW206 Slnd Vlv Gb Body ANSI 150 Flg SS seat Indctr NrmCld 120v Manl Op	4800-OACV	\$14,852.00
4-ZW206ZNO	4" ZW206 Slnd Vlv Gb Body ANSI 150 Flg SS seat Indctr Cpr Tube NrmOpn 120v	4800-OACV	\$14,411.00
4-ZW206ZNOMO	4" 120VAC NORM OPEN W/POS. IND. & MAN. OPER. SLND	4800-OACV	\$15,291.00
6-ZW20624NC	Solenoid Control Valve, 150#, Flanged x Flanged, 24VAC, NC	4800-OACV	\$20,764.00
6-ZW20624NO	Solenoid Control Valve, 150#, Flanged x Flanged, 24VAC, NO	4800-OACV	\$20,764.00
6-ZW206AG24DCNOMO	6" ZW206 Solnd Vlv Ang Bdy IPS Grvd SS seat Cpr Tube NrmCld 24vac Man Oprted	4800-OACV	\$20,764.00
6-ZW206AGNC	6" Slnd Vlv Ang Body IPS Grvd SS seat Cpr Tube NrmCld 120v	4800-OACV	\$20,764.00
6-ZW206C24NCP	6" ZW206 Slnd Vlv Gb Body w/Check ANSI 150 Flg SS seat NrmOpn 24vac Man Op Plug	4800-OACV	\$21,518.00
6-ZW206CG24DCNO	6" ZW206 w/Slnd Vlv Gb Body IPS Grooved w/Check valve NrmOpn 24vac DC	4800-OACV	\$23,246.00
6-ZW206CNC	6" ZW206 Slnd Vlv Gb Body w/Check ANSI 150 Flg SS seat NrmCld 120v	4800-OACV	\$21,431.00
6-ZW206CNCMO	6" ZW206 Slnd Vlv Gb Body w/Check ANSI 150 Flg SS seat NrmCld 120v Manl Op	4800-OACV	\$21,934.00
6-ZW206CNOMO	6" Slnd Vlv Gb Body w/Hyd Check ANSI 150 Flg Nrm Opn 120vac Manl Op	4800-OACV	\$22,357.00
6-ZW206CO24DCNOSD	6" ZW206 w/Slnd Vlv Gb Body ANSI 150 Flg w/ Check SS seat Nrm Opn 24vac DC	4800-OACV	\$32,444.00
6-ZW206COGNC	6" ZW206 Slnd Vlv Gb Bdy w/Check Opn SpdCtrl IPS Grv NrmCld 120v	4800-OACV	\$21,968.00
6-ZW206COGZNCMO	6" ZW206 Slnd Vlv Gb Bdy w/Check Opn SpdCtrl IPS Grv Indctr NrmCld 120v Manl Op	4800-OACV	\$23,266.00
6-ZW206G24NC	6" ZW206 Slnd Vlv Gb Body IPS Grvd SS seat Cpr Tube NrmCld 24vac	4800-OACV	\$20,764.00
6-ZW206G24NO	6" ZW206 Slnd Vlv Gb Body IPS Grvd SS seat Cpr Tube NrmOpn 24vac	4800-OACV	\$20,764.00
6-ZW206G24NOMO	6" ZW206 Slnd Vlv Gb Body IPS Grvd SS seat Cpr Tube NrmOpn 24vac Manl Op	4800-OACV	\$21,173.00
6-ZW206G24NCP	6" ZW206 Slnd Vlv Gb Body IPS Grvd SS seat NrmOpn Plug for FCIS	4800-OACV	\$20,764.00
6-ZW206GNC	6" ZW206 Slnd Vlv Gb Body IPS Grvd SS seat Cpr Tube NrmCld 120v	4800-OACV	\$20,764.00
6-ZW206GNCMO	6" ZW206 Slnd Vlv Gb Body IPS Grvd SS seat Cpr Tube NrmCld 120v Manl Op	4800-OACV	\$21,173.00
6-ZW206GNCRV	6" ZW206 Slnd Vlv Gb Bdy Cls Spd Ctrl IPS Grvd SS seat NrmCld 120v Rev Pilot	4800-OACV	\$20,764.00
6-ZW206GNO	6" ZW206 Slnd Vlv Gb Body IPS Grvd SS seat Cpr Tube NrmOpn 120v	4800-OACV	\$20,764.00
6-ZW206GNOMO	6" ZW206 Slnd Vlv Gb Body IPS Grvd SS seat Cpr Tube NrmOpn 120v Manl Op	4800-OACV	\$21,173.00

6-ZW206GSCNC	6" ZW206 Slnd Vlv Gb Body IPS Grvd SS seat Cpr Tube Limit Swtch NrmCld 120v	4800-OACV	\$24,601.00
6-ZW206GVZNCMO	6" ZW206 Slnd Vlv Gb Bdy IPS Grv SS seat Cpr Tube Viton Ru Indctr NrmCld 120v Man Op	4800-OACV	\$26,373.00
6-ZW206LONCMO	6" ZW206 Slnd Vlv Gb Body Opn Cls Spd ANSI 150 Flg SS seat NrmCld 120v Manl Op	4800-OACV	\$21,596.00
6-ZW206NC	Solenoid Control Valve, 150#, Flanged x Flanged, 120VAC, NC	4800-OACV	\$20,764.00
6-ZW206NCMO	6" ZW206 Slnd Vlv Gb Body ANSI 150 Flg SS seat Cpr Tube NrmCld MO 120v	4800-OACV	\$21,183.00
6-ZW206NCRV	6" ZW206 Slnd Vlv Gb Body ANSI 150 Flg SS seat Cpr Tube NrmCld 120v Rev Pilot	4800-OACV	\$20,764.00
6-ZW206NO	Solenoid Control Valve, 150#, Flanged x Flanged, 120VAC, NO	4800-OACV	\$20,764.00
6-ZW206NOMO	6" ZW206 Slnd Vlv Gb Body ANSI 150 Flg SS seat Cpr Tube NrmOpn 120v Manl Op	4800-OACV	\$21,173.00
6-ZW206O24NCMORV	6" 24VAC CLSD 150# FLNG W/ OPN SPD CNTRL, MAN. OPER. REV.	4800-OACV	\$23,113.00
6-ZW206OGNOMO	6" ZW206 Slnd Vlv Gb Opn Spd Ctrl Body IPS Grvd SS seat NrmCld 120v Manl Op	4800-OACV	\$22,357.00
6-ZW206ONC	6" ZW206 Slnd Vlv Gb Body Opn Spd Ctrl ANSI 150 Flg SS seat NrmCld 120v	4800-OACV	\$21,183.00
6-ZW206ONCMO	6" ZW206 Slnd Vlv Opn Spd Ctrl ANSI 150 Flg SS seat NrmCld 120v Manl Op	4800-OACV	\$22,357.00
6-ZW206ONO	6" ZW206 Slnd Vlv Gb Body Opn/Clas Spd Ctrl ANSI 150 Flg Nrm Opn 120v	4800-OACV	\$21,186.00
6-ZW206OYDCNO	6" ZW206 Slnd Vlv Gb Body Opn Spd Ctrl ANSI 300 Flg Nrm Opn 6V DC	4800-OACV	\$25,691.00
6-ZW206OYNC	6" ZW206 Slnd Vlv Gb Body Opn Spd Ctrl ANSI 300 Flg SS seat NrmCld 120v	4800-OACV	\$24,934.00
6-ZW206OYNOMO	6" ZW206 Slnd Vlv Gb Body Opn Spd Ctrl ANSI 300 Flg Nrm Opn 120v Manl Op	4800-OACV	\$25,345.00
6-ZW206OZ24NCP	6" ZW206 Slnd Vlv Gb Bdy Opn Spd Ctrl ANSI 150 Flg Indctr NrmOpn 24vac Man Op Plug	4800-OACV	\$22,080.00
6-ZW206RNO	6" ZW206 Slnd Vlv Reduc Port ANSI 150 Flg SS seat Cpr Tube NrmOpn 120v	4800-OACV	\$16,362.00
6-ZW206SDNC	6" ZW206 Slnd Vlv Gb Bdy ANSI 150 Flg Cpr Tube Lmt Swtch Dual Trip NrmCld 120v	4800-OACV	\$27,965.00
6-ZW206YNOMO	6" 120VAC NORM OPN 300# FLNG W/ MAN. OPER.	4800-OACV	\$24,926.00
6-ZW206Z24NC	6" ZW206 Slnd Vlv Gb Body ANSI 150 Flg SS seat Indctr Cpr Tube NrmCld 24vac	4800-OACV	\$21,657.00
6-ZW206Z24NCP	6" ZW206 Slnd Vlv Gb Body ANSI 150 Flg SS seat Indctr NrmCld 24vac Man Op Plug	4800-OACV	\$21,657.00
6-ZW206Z24NCP	6" ZW206 Slnd Vlv Gb Body ANSI 150 Flg SS seat Indctr NrmOpn Plug for FCIS	4800-OACV	\$21,657.00
6-ZW206ZNC	6" ZW206 Slnd Vlv Gb Body ANSI 150 Flg SS seat Indctr Cpr Tube NrmCld 120v	4800-OACV	\$21,657.00
6-ZW206ZNO	6" POSITION INDIC. & NORM. OPEN SLND VLV 150# FLNG	4800-OACV	\$21,659.00
8-ZW206ZNOMO	6" ZW206 Slnd Vlv Gb Body ANSI 150 Flg Indctr Cpr Tube NrmOpn 120v Manl Op	4800-OACV	\$22,075.00
8-ZW20624NC	Solenoid Control Valve, 150#, Flanged x Flanged, 24VAC, NC	4800-OACV	\$31,871.00
8-ZW20624NCP	8" ZW206 Slnd Vlv Gb Bdy ANSI 150 Flg SS seat Cpr Tube NrmCld 24vac Man Op Rev Pilot	4800-OACV	\$32,291.00
8-ZW20624NO	Solenoid Control Valve, 150#, Flanged x Flanged, 24VAC, NO	4800-OACV	\$31,871.00
8-ZW206AGNO	8" Slnd Vlv Ang Body IPS Grvd SS seat Cpr Tube NrmOpn 120v	4800-OACV	\$28,974.00
8-ZW206ANC	8" Slnd Vlv Ang Body ANSI 150 Flg NrmCld 120v	4800-OACV	\$32,627.00
8-ZW206ANCMO	8" Slnd Vlv Ang Body ANSI 150 Flg Nrm Cld 120v Man Op	4800-OACV	\$29,350.00
8-ZW206ANO	8" Slnd Vlv Ang Body ANSI 150 Flg Nrm Opn 120vac	4800-OACV	\$31,871.00
8-ZW206CGNC	8" ZW206 Slnd Vlv Gb Body IPS Grvd W/Check SS seat Cpr Tube NrmCld 120v	4800-OACV	\$32,639.00
8-ZW206COYZNCMO	8" ZW206 Slnd Vlv Gb Body Opn Spd Ctrl W/Check & Pos Ind Vlv ANSI 300 Flg 120v	4800-OACV	\$39,531.00
8-ZW206CSP24NCMO	8" ZW206 Slnd Vlv Gb Body w/Check ANSI 150 Flg SS Pilot NrmCld 24vac Manl Op	4800-OACV	\$42,567.00
8-ZW206G24NC	8" ZW206 Slnd Vlv Gb Body IPS Grvd SS seat Cpr Tube NrmCld 24vac	4800-OACV	\$31,871.00
8-ZW206GNC	8" ZW206 Slnd Vlv Gb Body IPS Grooved SS seat Cpr Tube NrmCld 120v	4800-OACV	\$31,871.00
8-ZW206GNCMO	8" ZW206 Slnd Vlv Gb Body IPS Grooved SS seat Cpr Tube NrmCld 120v Manl Op	4800-OACV	\$32,291.00
8-ZW206LOYNC	8" ZW206 Slnd Vlv Gb Body Opn Cls Spd ANSI 300 Flg SS seat NrmCld 120v	4800-OACV	\$37,222.00
8-ZW206NC	Solenoid Control Valve, 150#, Flanged x Flanged, 120VAC, NC	4800-OACV	\$31,871.00
8-ZW206NO	Solenoid Control Valve, 150#, Flanged x Flanged, 120VAC, NO	4800-OACV	\$31,871.00
8-ZW206ONCMO	8" ZW206 Slnd Vlv Gb Body Opn Spd Ctrl ANSI 150 Flg NrmCld 120v Manl Op	4800-OACV	\$32,703.00
8-ZW206OZ24NCP	8" ZW206 Slnd Vlv Gb Body ANSI 150 Flg SS seat Indctr NrmOpn Plug for FCIS	4800-OACV	\$33,403.00
212-ZW20623ONC	2.5" ZW206 Slnd Vlv Gb Body ANSI 150 Flg SS seat Cpr Tube 230vac NrmCld	4800-OACV	\$11,495.00
6-ZW20623ONC	6" ZW206 Slnd Vlv Gb Body ANSI 150 Flg 230vac Nrm Cld SS seat	4800-OACV	\$20,764.00
6-ZW20624ONC	6" ZW206 Slnd Vlv Gb Body ANSI 150 Flg 240vac Nrm Clsng SS seat Cpr Tube	4800-OACV	\$20,764.00
10-ZW20624NC	10" ZW206 Slnd Vlv Gb Body ANSI 150 Flg SS seat Cpr Tube NrmCld 24vac	4800-OACV	\$46,634.00
10-ZW20624NO	10" ZW206 Slnd Vlv Gb Body ANSI 150 Flg SS seat Cpr Tube NrmOpn 24vac	4800-OACV	\$46,634.00
10-ZW20624NCP	10" ZW206 Slnd Vlv Gb Body ANSI 150 Flg SS seat NrmOpn Plug for FCIS	4800-OACV	\$46,634.00
112-ZW20624NC	1.5" ZW206 Slnd Vlv Gb Body ANSI 150 Flg SS seat Cpr Tube NrmCld 24vac	4800-OACV	\$8,217.00
112-ZW20624NO	1.5" ZW206 Slnd Vlv Gb Body ANSI 150 Flg SS seat Cpr Tube NrmOpn 24vac	4800-OACV	\$7,814.00
112-ZW20624NORV	1.5" ZW206 Slnd Vlv Gb Bdy ANSI 150 Flg SS seat Cpr Tube NrmOpn 24vac Rev Pilot	4800-OACV	\$7,814.00

212-ZW20624NCMORV	2.5" ZW206 SInd Vlv GIB Body ANSI 150 Flg NrmCIsd 24vac Manl Op Rev Pilot	4800-OACV	\$10,224.00
212-ZW20624NCP	2-1/2" ZW206 SInd Vlv GIB Body ANSI 150 Flg SS seat NrmCIsd Plug for FCIS	4800-OACV	\$9,297.00
212-ZW20624NOP	2-1/2" ZW206 SInd Vlv GIB Body ANSI 150 Flg SS seat NrmOpn Plug for FCIS	4800-OACV	\$9,297.00
212-ZW20624NOPRV	2-1/2" ZW206 SInd Vlv GIB Body ANSI 150 Flg NrmOpn Plug for FCIS RevPilot	4800-OACV	\$8,453.00
2-ZW20624NORV	2" ZW206 SInd Vlv GIB Body ANSI 150 Flg SS seat Cpr Tube NrmOpn 24vac Rev Pilot	4800-OACV	\$9,202.00
3-ZW20624NCMO	3" ZW206 SInd Vlv GIB Body ANSI 150 Flg SS seat Cpr Tube NrmCIsd 24vac Manl Op	4800-OACV	\$9,887.00
3-ZW20624NCP	3" ZW206 SInd Vlv GIB Body ANSI 150 Flg SS seat NrmCIsd Plug for FCIS	4800-OACV	\$9,756.00
3-ZW20624NCPRV	3" ZW206 SInd Vlv GIB Body ANSI 150 Flg SS seat NrmCIsd Plug for FCIS Rev Pilot	4800-OACV	\$11,462.00
3-ZW20624NOP	3" ZW206 SInd Vlv GIB Body ANSI 150 Flg SS seat NrmOpn Plug for FCIS	4800-OACV	\$9,756.00
3-ZW20624NORV	3" ZW206 SInd Vlv GIB Body ANSI 150 Flg SS seat Cpr Tube NrmOpn 24vac Rev.	4800-OACV	\$8,871.00
4-ZW20624DCNC	4" ZW206 SInd Vlv GIB Body ANSI 150 Flg SS seat Cpr Tube 24V DC NrmCIsd	4800-OACV	\$13,626.00
4-ZW20624DCNO	4" ZW206 SInd Vlv GIB Body ANSI 150 Flg SS seat Cpr Tube 24V DC NrmOpn	4800-OACV	\$13,626.00
4-ZW20624DCNOMO	4" ZW206 SInd Vlv GIB Body ANSI 150 Flg SS seat Cpr Tube 24V DC NrmOpn Mmul Oprt	4800-OACV	\$14,046.00
4-ZW20624NCMO	4" ZW206 SInd Vlv GIB Body ANSI 150 Flg SS seat Cpr Tube NrmCIsd 24vac Manl Op	4800-OACV	\$14,078.00
4-ZW20624NCP	4" ZW206 SInd Vlv GIB Body ANSI 150 Flg SS seat NrmCIsd Plug for FCIS	4800-OACV	\$13,626.00
4-ZW20624NCPRV	4" ZW206 SInd Vlv GIB Body ANSI 150 Flg SS seat NrmCIsd Plug for FCIS Rev Pil	4800-OACV	\$13,626.00
4-ZW20624NCSC	4" ZW206 SInd Vlv GIB Body ANSI 150 Flg SS seat Cpr Tube NrmCIsd 24vac Lt Switch	4800-OACV	\$17,732.00
4-ZW20624NOMO	4" ZW206 SInd Vlv GIB Body ANSI 150 Flg SS seat Cpr Tube NrmOpn 24vac Manl Op	4800-OACV	\$14,076.00
4-ZW20624NOP	4" ZW206 SInd Vlv GIB Body ANSI 150 Flg SS seat NrmOpn Plug for FCIS	4800-OACV	\$13,626.00
4-ZW20624NOP-PILOT	Pilot Assy Complete, 4-ZW20624NOP	4800-OACV	\$13,626.00
6-ZW20624NCP	6" ZW206 SInd Vlv GIB Body ANSI 150 Flg SS seat NrmCIsd Plug for FCIS	4800-OACV	\$20,764.00
6-ZW20624NCPRV	6" ZW206 SInd Vlv GIB Body ANSI 150 Flg SS seat NrmCIsd 24vac Man Op Plug RevP	4800-OACV	\$18,873.00
6-ZW20624NOP	6" ZW206 SInd Vlv GIB Body ANSI 150 Flg SS seat NrmOpn Plug for FCIS	4800-OACV	\$20,764.00
6-ZW20624NOP-PILOT	PILOT ASSY. COMPLETE, 6" ZW20624NOP	4800-OACV	\$8,686.00
8-ZW20624NOP	8" ZW206 SInd Vlv GIB Body ANSI 150 Flg SS seat NrmOpn Plug for FCIS	4800-OACV	\$31,871.00
2-ZW206240NC	2" ZW206 SInd Vlv GIB Body ANSI 150 Flg SS seat Cpr Tube 240vac Nrm CIsd	4800-OACV	\$10,447.00
3-ZW206240NO	3" ZW206 SInd Vlv GIB Body ANSI 150 Flg 240vac Nrm Opn SS seat Cpr Tube	4800-OACV	\$9,585.00
3-ZW206240NORV	3" ZW206 SInd Vlv GIB Body ANSI 150 Flg 240vac Nrm Opn Rev Pilot SS seat Cpr Tube	4800-OACV	\$9,756.00
4-ZW206240NC	4" ZW206 SInd Vlv GIB Body ANSI 150 Flg SS seat Cpr Tube 240vac Nrm CIsd	4800-OACV	\$13,626.00
4-ZW206240NORV	4" ZW206 SInd Vlv GIB Body ANSI 150 Flg 240vac Nrm Opn Rev Pilot SS seat Cpr Tube	4800-OACV	\$13,626.00
6-ZW206240NO	6" ZW206 SInd Vlv GIB Body ANSI 150 Flg 240vac Nrm Opn SS seat Cpr Tube	4800-OACV	\$20,764.00
10-ZW207	Excess Pressure Shutdown Valve, Class 150, Flanged x Flanged	4800-OACV	\$45,666.00
112-ZW207	Excess Pressure Shutdown Valve, Class 150, Flanged x Flanged	4800-OACV	\$8,057.00
112-ZW207GL	1.5" ZW207 Excss Press Vlv GIB Body ANSI 150 Flg SS seat Liq Fild Gauge	4800-OACV	\$8,393.00
112-ZW207TH	1.5" ZW207 Excss Press Vlv GIB Body Fem NPT SS seat Cpr Tube	4800-OACV	\$8,056.00
112-ZW207THGL	1.5" ZW207 Excss Press Vlv GIB Body Fem NPT SS seat Cpr Tube Liq Fild Gauge	4800-OACV	\$8,395.00
112-ZW207THRVGL	1.5" ZW207 Excss Press Vlv GIB Body Fem NPT SS seat Cpr Tube Re Pit Liq Fild Gauge	4800-OACV	\$8,395.00
112-ZW207THSCGL	1.5" ZW207 Excss Press Vlv GIB Body Fem NPT SS seat Limit Switch Liq Fild Gauge	4800-OACV	\$12,233.00
112-ZW207THVGL	1.5" ZW207 Excss Press Vlv GIB Body Fem NPT Viton Rbr Cpr Tube Liq Fild Gauge	4800-OACV	\$10,134.00
112-ZW207YHP	1.5" ZW207 Excss Press Vlv GIB Body ANSI 300 Flg SS seat 150-300psi	4800-OACV	\$10,126.00
112-ZW207YLP2GL	1.5" ZW207 Excss Press Vlv GIB Body ANSI 300 Flg SS seat 10-35psi Liq Fild Gauge	4800-OACV	\$8,138.00
114-ZW207TH	1.25" ZW207 Excss Press Vlv GIB Body Fem NPT SS seat Cpr Tube	4800-OACV	\$8,056.00
114-ZW207THGL	1.25" ZW207 Excss Press Vlv GIB Body Fem NPT SS seat Cpr Tube Liq Fild Gauge	4800-OACV	\$8,395.00
114-ZW207THSC	1.25" ZW207 Excss Press Vlv GIB Body Fem NPT SS seat Cpr Tube w/CIsing Lt Switch	4800-OACV	\$11,893.00
114-ZW207THVGL	1.25" ZW207 Excss Press Vlv GIB Body Fem NPT Viton Rbr Cpr Tube Liq Fild Gauge	4800-OACV	\$10,134.00
212-ZW207	Excess Pressure Shutdown Valve, Class 150, Flanged x Flanged	4800-OACV	\$10,051.00
212-ZW207GL	2.5" ZW207 Excss Press Vlv GIB Body ANSI 150 Flg SS seat Cpr Tube Liq Fild Gauge	4800-OACV	\$10,384.00
212-ZW207GSC	2.5" ZW207 Excss Press Vlv GIB Body IPS Grvd SS seat Cpr Tube w/CIsing Lt Switch	4800-OACV	\$14,152.00
212-ZW207LPGL	2.5" ZW207 Excss Press Vlv GIB Body ANSI 150 Flg 30-90 Psi Cpr Tube Liq Gauge	4800-OACV	\$10,390.00
212-ZW207RV	2.5" ZW207 Excss Press Vlv GIB Body ANSI 150 Flg SS seat Cpr Tube Rev	4800-OACV	\$10,051.00
212-ZW207SC	2.5" ZW207 Excss Press Vlv GIB Body ANSI 150 Flg SS seat Cpr Tb w/CIsing Lt Switch	4800-OACV	\$14,152.00
212-ZW207THSCGL	2.5" ZW207 Excss Press Vlv GIB Body Fem NPT SS seat Limit Switch Liq Fild Gauge	4800-OACV	\$14,472.00

212-ZW207VGL	2.5" ZW207 Excss Press Vlv GIB Body ANSI 150 Flg Viton Rbr Liq Fild Gauge	4800-OACV	\$12,239.00
212-ZW207Y	Excess Pressure Shutdown Valve, Class 300, Flanged x Flanged	4800-OACV	\$9,982.00
2-ZW207	Excess Pressure Shutdown Valve, Class 150, Flanged x Flanged	4800-OACV	\$9,608.00
2-ZW207GL	2" ZW207 Excss Press Vlv GIB Body ANSI 150 Flg SS seat Cpr Tube Liq Fild Gauge	4800-OACV	\$9,944.00
2-ZW207TH	2" ZW207 Excss Press Vlv GIB Body Fem NPT SS seat Cpr Tube	4800-OACV	\$9,608.00
2-ZW207THGL	2" ZW207 Excss Press Vlv GIB Body Fem NPT SS seat Cpr Tube Liq Fild Gauge	4800-OACV	\$9,473.00
2-ZW207THRVGL	2" ZW207 Excss Press Vlv GIB Body Fem NPT SS seat Cpr Tube Rev Liq Fild Gauge	4800-OACV	\$8,395.00
2-ZW207THSC	2" ZW207 Excss Press Vlv GIB Body Fem NPT SS seat Cpr Tube w/CIsing Lt Switch	4800-OACV	\$12,991.00
2-ZW207THSCGL	2" ZW207 Excss Press Vlv GIB Body Fem NPT SS seat Limit Switch Liq Fild Gauge	4800-OACV	\$13,311.00
2-ZW207THVCSGL	2" ZW207 Excss Press Vlv GIB Body Fem NPT SS seat Viton Rbr Limit Sw Liq Fild Ga	4800-OACV	\$15,633.00
2-ZW207VGL	2" ZW207 Excss Press Vlv GIB Body ANSI 150 Flg SS seat Viton Rbr Liq Fild Gauge	4800-OACV	\$11,794.00
2-ZW207Y	Excess Pressure Shutdown Valve, Class 300, Flanged x Flanged	4800-OACV	\$10,187.00
2-ZW207YHPGL	2" ZW207 Excss Press Vlv GIB Body ANSI 300 Flg SS seat 150-300psi Liq Fild Gauge	4800-OACV	\$11,149.00
2-ZW207YLPGL	2" ZW207 Excss Pr Vlv GIB Body ANSI 300 Flg 30-90 psi Cpr Tube Liq Fil Gauge	4800-OACV	\$11,301.00
3-ZW207	Excess Pressure Shutdown Valve, Class 150, Flanged x Flanged	4800-OACV	\$10,489.00
3-ZW207G	3" ZW207 Excss Press Vlv GIB Body IPS Grvd SS seat Cpr Tube	4800-OACV	\$10,489.00
3-ZW207GL	3" ZW207 Excss Press Vlv GIB Body ANSI 150 Flg SS seat Cpr Tube Liq Fild Gauge	4800-OACV	\$10,831.00
3-ZW207GLSC	3" ZW207 Excss Press Vlv GIB Body ANSI 150 Flg Cpr Tube Liq Fild Gauge w/CIs Lt Sw	4800-OACV	\$13,703.00
3-ZW207GSC	3" ZW207 Excss Press Vlv GIB Body IPS Grvd SS seat Cpr Tube w/CIsing Lt Switch	4800-OACV	\$13,384.00
3-ZW207LP2GL	3" ZW207 Excss Press Vlv GIB Body ANSI 150 Flg SS seat 10-35psi Liq Fil Gauge	4800-OACV	\$10,810.00
3-ZW207LPRV	3" ZW207 Excss Press Vlv GIB Body ANSI 150 Flg SS seat 30-90psi Cpr Tube Rev	4800-OACV	\$10,489.00
3-ZW207RGL	3" ZW207 Excss Press Vlv GIB Body Red Port ANSI 150 Flg SS seat Cpr Tube Liq Ga	4800-OACV	\$10,245.00
3-ZW207RV	3" ZW207 Excss Press Vlv GIB Body ANSI 150 Flg SS seat Cpr Tube Rev	4800-OACV	\$10,489.00
3-ZW207RVSC	3" ZW207 Excss Press Vlv GIB Body ANSI 150 Flg SS seat Cpr Tb w/CIsing Lt Swtch Revs	4800-OACV	\$14,597.00
3-ZW207THGL	3" ZW207 Excss Press Vlv GIB Body Fem NPT SS seat Cpr Tube Liq Fild Gauge	4800-OACV	\$10,831.00
3-ZW207THLPGL	3" ZW207 Excss Press Vlv GIB Body Fem NPT SS seat 30-90psi Cp Tub Liq Fild Gauge	4800-OACV	\$10,810.00
3-ZW207V	3" ZW207 Excss Press Vlv GIB Body ANSI 150 Flg SS seat Viton Rbr Cpr Tube	4800-OACV	\$13,204.00
3-ZW207VGL	3" ZW207 Excss Press Vlv GIB Body ANSI 150 Flg SS seat Viton Rbr Cpr Tube Liq F.	4800-OACV	\$13,542.00
3-ZW207Y	3" SHUTDOWN VALVE #300 FLNG	4800-OACV	\$11,942.00
3-ZW207YHP	3" ZW207 Excss Press Vlv GIB Body ANSI 300 Flg SS seat Cpr Tube	4800-OACV	\$12,155.00
3-ZW207YHPGL	3" ZW207 Excss Press Vlv GIB Body ANSI 300 Flg SS seat 30-300psi Liq Fild Gauge	4800-OACV	\$13,786.00
3-ZW207YZHP	3" SHUTDOWN VLV #300 FLNG, VISUAL PI, HIGH PRESSURE	4800-OACV	\$13,143.00
4-ZW207	4" SHUTDOWN VALVE	4800-OACV	\$13,471.00
4-ZW207G	4" ZW207 Excss Press Vlv GIB Body IPS Grooved SS seat Cpr Tube	4800-OACV	\$13,471.00
4-ZW207GL	4" ZW207 Excss Press Vlv GIB Body ANSI 150 Flg SS seat Cpr Tube Liq Fild Gauge	4800-OACV	\$13,806.00
4-ZW207GSC	4" ZW207 Excss Press Vlv GIB Body ANSI 150 Flg SS seat Cpr Tube Limit Switch	4800-OACV	\$17,570.00
4-ZW207SCGL	4" ZW207 Excss Press Vlv GIB Body ANSI 150 Flg SS seat Cpr Tube Liq Fild Gauge L	4800-OACV	\$17,917.00
4-ZW207VGL	4" ZW207 Excss Press Vlv GIB Body ANSI 150 Flg SS seat Viton Rbr Liq Fild Gauge	4800-OACV	\$15,659.00
8-ZW207	Excess Pressure Shutdown Valve, Class 150, Flanged x Flanged	4800-OACV	\$30,701.00
100-ZW209BPBSE	DN100 ZW209 Press Reduc Lo Flw Bypass Vlv GIB Body Tbl E Flg SS seat 15-150psi	4800-OACV	\$14,797.00
100-ZW209BPBSESP	DN100 ZW209 P-Red Lo Flw BP Vlv CIs/Opn Spd Ctrl GIB Body Tbl E SS seat 15-120PSI	4800-OACV	\$32,734.00
100-ZW209BSD	DN100 ZW209 Press Reduc Vlv GIB Body Tbl D Flg SS seat 15-150psi Cpr Tube	4800-OACV	\$11,759.00
100-ZW209BSE	DN100 ZW209 Press Reduc Vlv GIB Body Tbl E Flg SS seat 15-150psi Cpr Tube	4800-OACV	\$11,759.00
100-ZW209CBSERVGL	DN100 ZW209 Pr Red Vlv GIB Body w/Check Tbl E Flg 15-120psi Rev Pil Liq Fil Gauge	4800-OACV	\$12,890.00
100-ZW209FPBSE	DN100 ZW209 Press Reduc Fire Vlv GIB Body Tbl E Flg SS seat 15-150psi Cpr Tube	4800-OACV	\$15,474.00
100-ZW209FPG	DN100 ZW209 Press Reduc Fire Vlv GIB Body IPS Grvd SS seat 15-150psi Cpr Tube	4800-OACV	\$17,831.00
100-ZW209FPY	DN100 ZW209 Press Reduc Fire Vlv GIB Body ANSI 300 Flg SS seat 15-150psi	4800-OACV	\$17,739.00
10-ZW209	Pressure Reducing Valve, 150#, Flange x Flange	4800-OACV	\$43,528.00
10-ZW209A	10" ZW209 Press Reduc Vlv Ang Body ANSI 150 Flg SS seat 15-150psi Cpr Tube	4800-OACV	\$43,528.00
10-ZW209C	10" ZW209 Press Reduc Vlv GIB Body w/Check ANSI 150 Flg SS seat 15-150psi Cpr Tu	4800-OACV	\$44,343.00
10-ZW209CLOZGL	10" ZW209 Press Reduc Vlv GIB Body w/Check Open/Clos spd ctrl 15-150psi w/Liq Ga	4800-OACV	\$47,246.00
10-ZW209ECNCMO	10" ZW209 PRV w/SInd V GIB Body w/Check ANSI 150 Flg 15-150p NrmCIsd 120v MOpn	4800-OACV	\$46,056.00

10 ZW209EX	10" ZW209 Press Reduc Vlv Glb Body ANSI 150 Flg SS seat 15-150psi Cpr Tube	4800-OACV	\$44,960.00
10 ZW209EXHP	10" ZW209 Press Reduc Vlv Glb Body ANSI 150 Flg SS seat 30-300psi Cpr Tube	4800-OACV	\$46,469.00
10 ZW209FPCG	10" ZW209 Press Reduc Fire Vlv Glb Body w/Check IPS Grvd SS seat 15-150psi	4800-OACV	\$47,799.00
10 ZW209FPCX	10" ZW209 Press Reduc Fire Vlv Glb Body ANSI 150Flg w/ Chck SS seat 15-150psi	4800-OACV	\$47,800.00
10 ZW209FPCY	10" ZW209 Press Reduc Fire Vlv Glb Body ANSI 300 Flg w/ Chck SS seat 15-150psi	4800-OACV	\$50,618.00
10 ZW209FPGHP	10" ZW209 Press Reduc Fire Vlv Glb Body IPS Grvd SS seat 30-300psi Cpr Tube	4800-OACV	\$53,322.00
10 ZW209FPGRV	10" ZW209 Press Reduc Fire Vlv Glb Body IPS Grvd SS seat 50-165psi Rev Pilot	4800-OACV	\$51,812.00
10 ZW209FPGST	10" ZW209 Press Reduc Fire Vlv Glb Body IPS Grvd SS seat 15-150psi ST Tube	4800-OACV	\$14,031.00
10 ZW209FPGZ	10" ZW209 Press Reduc Fire Vlv Glb Bdy IPS Grv SS seat 50-165psi Cpr Tube Pst Ind	4800-OACV	\$48,463.00
10 ZW209FP-PILOT	Pilot Assy. Complete Fire PRV ZW209FP "Any Connection"	4800-OACV	\$5,553.00
10 ZW209FPPN16	10" ZW209 Press Reduc Fire Vlv Glb Body ISO PN16 Flg SS seat 15-150psi Cpr Tube	4800-OACV	\$49,800.00
10 ZW209FPXHP	10" ZW209 Press Reduc Fire Vlv Glb Body ANSI 150 Flg SS seat 30-300psi Cpr Tube	4800-OACV	\$48,489.00
10 ZW209FPXRV	10" ZW209 Press Reduc Fire Vlv Glb Body ANSI 150 Flg SS seat 15-150psi Rev Pilot	4800-OACV	\$46,987.00
10 ZW209FPXSP	10" ZW209 Press Reduc Fire Vlv Glb Bdy ANSI 150 Flg SS seat 15-150psi SS Pilotry	4800-OACV	\$51,995.00
10 ZW209FPYHP	10" ZW209 Press Reduc Fire Vlv Glb Body ANSI 300 Flg SS seat 30-300psi Cpr Tube	4800-OACV	\$51,312.00
10 ZW209G	10" ZW209 Press Reduc Vlv Glb Body IPS Grvd SS seat 15-150psi Cpr Tube	4800-OACV	\$43,528.00
10 ZW209GHP	10" ZW209 Press Reduc Vlv Glb Body IPS Grvd SS seat 30-300psi Cpr Tube	4800-OACV	\$43,741.00
10 ZW209HLSPRV	10" ZW209 Press Reduc Prss Sust Vlv Glb Body ANSI 150 Flg Cls Spd Cntrl SS Rev Pil	4800-OACV	\$50,701.00
10 ZW209HP	10" ZW209 Press Reduc Vlv Glb Body ANSI 150 Flg SS seat 30-300psi Cpr Tube	4800-OACV	\$43,741.00
10 ZW209HPSH	10" ZW209 Press Reduc Vlv Glb Body ANSI 150 Flg SS seat 30-300psi SS Hoses	4800-OACV	\$43,741.00
10 ZW209LOHP	10" ZW209 Press Red Vlv Glb Bdy Op/Cl spd ctrl ANSI 150 Flg SS seat 30-300psi Cpr	4800-OACV	\$44,601.00
10 ZW209LOSP	10" ZW209 Press Reduc Vlv Glb Body Open/Clos spd ctrl 15-120psi SS Pilot	4800-OACV	\$40,320.00
10 ZW209LOZHPSH	10" ZW209 Pr Red Vlv GlbBdy Op/Cl SpdCtrl ANSI 150 Flg Pst Indc 30-300psi SS Hos	4800-OACV	\$47,342.00
10 ZW209LRGL	10" ZW209 Press Reduc Vlv Glb Body w/Clspd Cntrl Redu Port ANSI 150 Flg 15-120psi Liq Gge	4800-OACV	\$32,539.00
10 ZW209LZSP	10" ZW209 P-Redu Vlv Glb Body w/Clspd Cntrl ANSI 150 Flg w/ Posl Indctr SS Pilo	4800-OACV	\$41,427.00
10 ZW209-PILOT	PILOT ASSY. COMPLETE, ZW209	4800-OACV	\$5,549.00
10 ZW209SP-PILOT	Pilot Assy Stainless Steel Complete 10" ZW209SP, any connection	4800-OACV	\$13,474.00
10 ZW209YHP	10" PRV CLASS 300 FLNG, HI PRESS PILOT	4800-OACV	\$48,570.00
10 ZW209ZSP	10" ZW209 P-Redu Vlv Glb Body ANSI 150 Flg SS Pilot w/ Position Indctr	4800-OACV	\$50,073.00
112-ZW209	Pressure Reducing Valve, 150H, Flange x Flange	4800-OACV	\$7,323.00
112-ZW209ASP	1.5" ZW209 Press Reduc Vlv Ang Body ANSI 150 Flg SS seat 15-150psi SS Pilotry	4800-OACV	\$13,107.00
112-ZW209ATH	1.5" ZW209 Press Reduc Vlv Ang Body Fem NPT SS seat 15-150psi Cpr Tube	4800-OACV	\$7,323.00
112-ZW209ATHPRV	1.5" ZW209 Press Reduc Vlv Ang Body Fem NPT SS seat 30-300psi Rev Pilot	4800-OACV	\$7,535.00
112-ZW209BPC	1.5" P-Reduc Lo Flw Bypass Glb Bdy w/Chk ANSI 150 Flg SS seat	4800-OACV	\$9,226.00
112-ZW209BPCGL	1.5" P-Reduc Lo Flw Bypass Glb Bdy w/Chk ANSI 150 Flg SS seat Liq Gage	4800-OACV	\$9,931.00
112-ZW209BPCL	1.5" P-Reduc Lo Flw Bypass Glb Bdy w/Chk ANSI 150 Flg SS seat w/ Cls Spd Cntrl	4800-OACV	\$10,052.00
112-ZW209BPCLTHZHPGL	1-1/2" PRV w/Bypass Glb Body w/Chk Cls Spd Ctrl Fem NPT Indctr 30-300psi Liq Gaug	4800-OACV	\$12,575.00
112-ZW209BPCLVZHP	1.5" P. Reduc w/Bypass Vlv Glb Bdy w/Chck Cls Spd Ctrl Vitr Rbr Pos Indct 30-300psi	4800-OACV	\$13,455.00
112-ZW209BPSCDGL	1.5" P-Reduc Lo Flw Bypass Glb Bdy w/Chk ANSI 150 Flg SS seat Lim Swt Liq Gauge	4800-OACV	\$17,123.00
112-ZW209BPCTHGL	1.5" ZW209 P-Reduc Lo Flw Bypass Vlv Glb Body w/Check Fem NPT 15-150psi, liq, G	4800-OACV	\$9,662.00
112-ZW209BPCTHRV	1.5" P-Reduc Lo Flw Bypass Glb Bdy Body Fem NPT w/ Chk SS seat Rev Pilot	4800-OACV	\$9,226.00
112-ZW209BPPEX	1.5" ZW209 Press Reduc Lo Flw Bypass Vlv Glb Body ANSI 150 Flg SS seat 15-150psi	4800-OACV	\$6,878.00
112-ZW209BPPEXTH	1.5" ZW209 Press Reduc Lo Flw Bypass Vlv Glb Body Fem NPT SS seat 15-150psi	4800-OACV	\$6,878.00
112-ZW209BPGHP	1.5" ZW209 P-Reduc Lo Flw Bypass Vlv Glb Body IPS Grvd 30-300psi	4800-OACV	\$10,309.00
112-ZW209BPGHPGL	1.5" ZW209 P-Reduc Lo Flw Bypass Vlv Glb Body IPS Grvd 30-300psi Liq Fild Gauge	4800-OACV	\$10,628.00
112-ZW209BPGHPSP	1.5" ZW209 P-Reduc Lo Flw Bypass Vlv Glb Body IPS Grvd 30-300psi SS Pilotry	4800-OACV	\$15,318.00
112-ZW209BPGVHP	1.5" ZW209 P-Reduc Lo Flw Bypass Vlv Glb Body IPS Grvd 30-300psi Viton Rbr	4800-OACV	\$12,149.00
112-ZW209BPBHP	1.5" ZW209 Press Reduc Lo Flw Bypass Vlv Glb Body ANSI 150 Flg SS seat 30-300psi	4800-OACV	\$9,897.00
112-ZW209BPBLTH	1.5" ZW209 P-Redc Lo Flw Bypas Vlv Glb Bdy Fem NPT SS seat 15-120psi w/ Cl Sp Ctr	4800-OACV	\$9,211.00
112-ZW209BPBLTHGL	1.5" ZW209 P-Reduc Lo Flw Bypass Vlv Glb Fem NPT 15-150psi Cls Spd Cntrl Liq Fil	4800-OACV	\$8,725.00
112-ZW209BPBLTHZHP	1.5" ZW209 P-Red Lo Flw Bypas Glb Bdy Cls Spd Cntrl NPT Pos Ind Pilot 30-300psi	4800-OACV	\$11,359.00
112-ZW209BPRV	1.5" ZW209 Press Reduc Vlv Glb Bdy ANSI 150 Flg SS seat 15-150psi Cpr 1lb Rev Pil	4800-OACV	\$8,781.00

112-ZW209BPSPSHRV	1.5" ZW209 Press Reduc Lo Flw Bypass Glb Bdy ANSI 150 Flg 15-150psi Rev Pilot	4800-OACV	\$14,973.00
112-ZW209BPTHHP	1.5" ZW209 P-Reduc Lo Flw Bypass Vlv Glb Body Fem NPT SS seat 15-150psi	4800-OACV	\$10,288.00
112-ZW209BPTHHRV	1.5" ZW209 Press Reduc Lo Flw Bypass Vlv Glb Body Fem NPT 15-150psi Rev Pilot	4800-OACV	\$8,781.00
112-ZW209BPTHVRGL	1.5" ZW209 P-Reduc Lo Flw Bypass V Glb Bdy Fem NPT 15-120psi Liq Fild Gauge Rev	4800-OACV	\$9,348.00
112-ZW209BPTHVSP	1.5" ZW209 Press Reduc Lo Flw Bypass Vlv Glb Body Fem NPT 15-120psi	4800-OACV	\$14,881.00
112-ZW209BPTHVHP	1.5" ZW209 Pr Red Lo Flw Bypass Vlv Glb Body Fem NPT SS seat 30-300psi Viton Rbr	4800-OACV	\$12,029.00
112-ZW209BPTHZ	1.5" ZW209 Press Reduc Lo Flw Bypas Vlv Glb Bdy Fem NPT SS seat Indctr 15-150psi	4800-OACV	\$8,671.00
112-ZW209BPTHZSP	1.5" ZW209 Press Reduc Lo Flw Bypass Vlv Glb Body Fem NPT Indctr 15-150psi	4800-OACV	\$15,560.00
112-ZW209BPHYGL	1.5" ZW209 Press Reduc Lo Flw Bypass Vlv Glb Body ANSI 300 Flg SS seat 15-150psi	4800-OACV	\$16,901.00
112-ZW209BPHYHP	1.5" ZW209 Press Reduc Lo Flw Bypass Vlv Glb Body ANSI 300 Flg SS seat 30-300psi	4800-OACV	\$10,847.00
112-ZW209BPHYHPGL	1.5" ZW209 P-Reduc Lo Flw Bypas Glb Bdy ANSI 300 Flg 30-300psi Liq Fild Gauge	4800-OACV	\$11,188.00
112-ZW209BPHYHPSP	1.5" ZW209 Press Reduc Lo Flw Bypass Vlv Glb Body ANSI 300 Flg 30-300psi	4800-OACV	\$14,695.00
112-ZW209BPYLPGL	1.5" ZW209 Press Reduc Lo Flw Bypass Vlv Glb Body ANSI 300 Flg SS seat 5-25psi	4800-OACV	\$9,412.00
112-ZW209BPHYRV	1.5" ZW209 Press Reduc Lo Flw Bypass Vlv Glb Bdy ANSI 300 Flg 15-150psi Rev Pil	4800-OACV	\$8,978.00
112-ZW209BPHYVHP	1.5" P-Reduc Lo Flw Bypass Glb Bdy ANSI 300 Flg SS seat 30-300psi Viton Rbr	4800-OACV	\$12,702.00
112-ZW209BPZHP	1.5" ZW209 P-Reduc Lo Flw Bypass Vlv Glb Body ANSI 150 Flg Pos Indct 30-300psi	4800-OACV	\$11,052.00
112-ZW209BT	1.5" ZW209 Press Reduc Vlv Glb Body Fem BSPT SS seat 15-150psi Cpr Tube	4800-OACV	\$7,323.00
112-ZW209CAHP	1-1/2" ZW209 Press Reduc Vlv w/Check Ang Body ANSI 150 Flg SS seat 30-300psi Cpr	4800-OACV	\$8,446.00
112-ZW209CGHPRVGL	1.5" ZW209 Pr Red Vlv Glb Bdy w/Chck IPS Grvd 30-300psi Rev Pil Liq Fil Gauge	4800-OACV	\$9,974.00
112-ZW209CLTH	1.5" ZW209 Press Reduc Vlv Glb Body w/Check Cls Spd Ctrl Fem NPT SS seat 15-120psi	4800-OACV	\$8,561.00
112-ZW209CLTHHP	1.5" ZW209 Press Reduc Vlv Glb Body w/Check Cls Spd Ctrl Fem NPT 30-300psi	4800-OACV	\$8,829.00
112-ZW209CTH	1.5" ZW209 Press Reduc Vlv Glb Body w/Check Fem NPT SS seat 15-150psi Cpr Tube	4800-OACV	\$8,131.00
112-ZW209CTHGL	2" ZW209 Press Reduc Vlv Glb Body w/Check Fem NPT SS seat 15-150psi Liq Ga	4800-OACV	\$8,478.00
112-ZW209CTHHPGL	1.5" ZW209 Press Reduc Vlv Glb Body w/Check Fem NPT 30-300psi Liq. Gauge	4800-OACV	\$9,974.00
112-ZW209CYGL	1.5" ZW209 Press Reduc Vlv Glb Body w/Check ANSI 300 Flg 15-120psi Liq Gauge	4800-OACV	\$8,981.00
112-ZW209ECTHHPSPNCM	1.5" ZW209 P-Reduc w/Sind Glb Bdy w/Check Fem NPT 30-300psi NrmClsd 120v ManOp	4800-OACV	\$17,949.00
112-ZW209ENC	1.5" ZW209 Press Reduc w/Sind Vlv Glb Body ANSI 150 Flg 15-150psi NrmClsd 120v	4800-OACV	\$9,163.00
112-ZW209ETHHPNC	1.5" ZW209 Press Reduc w/Sind Vlv Glb Bdy Fem NPT SS seat 30-300psi NrmClsn 120v	4800-OACV	\$9,358.00
112-ZW209ETHNO	1.5" ZW209 Press Reduc w/Sind Vlv Glb Body Fem NPT SS seat 15-150psi NrmOpn 120v	4800-OACV	\$9,163.00
112-ZW209EX	1.5" ZW209 Press Reduc Vlv Glb Body ANSI 150 Flg SS seat 15-150psi Cpr Tube	4800-OACV	\$5,423.00
112-ZW209EXTH	1.5" ZW209 Press Reduc Vlv Glb Body Fem NPT SS seat 15-150psi Cpr Tube	4800-OACV	\$5,423.00
112-ZW209FPGHP	1.5" ZW209 Press Reduc Fire Vlv Glb Body IPS Grvd SS seat 30-300psi Cpr Tube	4800-OACV	\$9,453.00
112-ZW209FPGRV	1.5" ZW209 Press Reduc Fire Vlv Glb Body IPS Grvd SS seat 15-150psi Rev Pilot	4800-OACV	\$7,412.00
112-ZW209FPGST	1.5" ZW209 Press Reduc Fire Vlv Glb Body IPS Grvd SS Seat 50-165PSI ST Tube	4800-OACV	\$8,846.00
112-ZW209FP-PILOT	Pilot Assy. Complete Fire PRV ZW209FP "Any Connection"	4800-OACV	\$3,348.00
112-ZW209FPTHRV	1.5" ZW209 Press Red Fire Vlv Glb Body Fem NPT SS seat 50-165psi Cpr Tube Rev Pil	4800-OACV	\$7,412.00
112-ZW209FPVZ	1.5" ZW209 Press Reduc Fire Vlv Glb Body ANSI 300 Flg SS seat Indctr 15-150psi	4800-OACV	\$8,690.00
112-ZW209G	1.5" ZW209 Press Reduc Vlv Glb Body IPS Grvd SS seat 15-150psi Cpr Tube	4800-OACV	\$7,323.00
112-ZW209GHP	1.5" ZW209 Press Reduc Vlv Glb Body IPS Grvd SS seat 30-300psi Cpr Tube	4800-OACV	\$8,834.00
112-ZW209GHPSP	1.5" ZW209 Pr Red Vlv Glb Body IPS Grvd SS seat 30-300psi SS Pilotry Liq. Fild G	4800-OACV	\$14,342.00
112-ZW209GL	1-1/2" PRV 150H FLNG W/ LIQ GAUGES	4800-OACV	\$7,655.00
112-ZW209GRV	1.5" ZW209 Press Reduc Vlv Glb Body IPS Grvd SS seat 15-150psi Cpr Tube Rev Pil	4800-OACV	\$7,323.00
112-ZW209GZHP	1.5" ZW209 Press Reduc Vlv Glb Body IPS Grvd SS seat Indctr 30-300psi Cpr Tube	4800-OACV	\$8,282.00
112-ZW209H	Pressure Reducing Valve / Pressure Sustaining Function, Class 150, Flanged x Flanged	4800-OACV	\$8,897.00
112-ZW209HP	1.5" ZW209 Press Reduc Vlv Glb Body ANSI 150 Flg SS seat 30-300psi Cpr Tube	4800-OACV	\$7,531.00
112-ZW209HPGL	1-1/2" ZW209 Press Reduc Vlv Glb Body ANSI 150 Flg SS seat 30-300psi Liq Fild Ga	4800-OACV	\$7,870.00
112-ZW209HTHGL	1.5" ZW209 Press Reduc Prss Sust Vlv Glb Body Fem NPT Brz seat Liq Fil Gge	4800-OACV	\$9,216.00
112-ZW209HTHSLP	1-1/2" ZW209 Press Reduc Prss Sust Vlv Glb Body Fem NPT SS seat Cpr Tube	4800-OACV	\$9,573.00
112-ZW209L	1.5" ZW209 Press Reduc Vlv Glb Body Cls Spd Ctrl ANSI 150 Flg SS seat 15-150psi	4800-OACV	\$7,768.00
112-ZW209LGL	1.5" ZW209 Press Reduc Vlv Glb Body Cls Spd Ctrl ANSI 150 Flg w/Liq Fil Gauge	4800-OACV	\$8,088.00
112-ZW209LP	1.5" ZW209 Press Reduc Vlv Glb Body ANSI 150 Flg SS seat 5-25psi Cpr Tube	4800-OACV	\$8,001.00
112-ZW209LRV	1.5" ZW209 Press Reduc Vlv Glb Body Cls Spd Ctrl ANSI 150 Flg SS seat 15-120psi	4800-OACV	\$7,471.00

112-ZW209LSP	1.5" ZW209 Press Reduc Vlv Glb Body Cls Spd Ctrl ANSI 150 Flg 15-150psi	4800-OACV	\$13,815.00
112-ZW209LTH	1.5" ZW209 Press Reduc Vlv Glb Body Fem NPT Cls Spd Ctrl SS seat 15-150psi	4800-OACV	\$7,768.00
112-ZW209LWLP	1.5" ZW209 Press Red V Glb Bdy Cls Spd Ctrl ANSI 150 Flg SS seat Viton Rbr 5-25	4800-OACV	\$10,308.00
112-ZW209PN16	1.5" ZW209 Press Reduc Vlv Glb Body ISO PN16 Flg SS seat 15-150psi Cpr Tube	4800-OACV	\$7,323.00
112-ZW209QCCHPGL	1.5" ZW209 Press Reduc w/Surge Vlv Glb Body w/Chk SS seat 30-300psi Cpr Tl Lq Ga	4800-OACV	\$14,838.00
112-ZW209QTH	1.5" ZW209 Press Reduc w/Surge Vlv Glb Body Fem NPT SS seat 15-150psi Cpr Tube	4800-OACV	\$10,303.00
112-ZW209QTHZSP	1.5" ZW209 Pr Redu w/Surge Vlv Glb Body Fem NPT Pstn Indctr 15-120psi SS Pltry	4800-OACV	\$16,020.00
112-ZW209RV	1-1/2" ZW209 Press Reduc Vlv Glb Body ANSI 150 Flg SS seat 15-150psi Rev Pilot	4800-OACV	\$7,945.00
112-ZW209RVGL	1-1/2" PRV 150# FLNG REVERSE PILOT W/LIQ GAUGE	4800-OACV	\$7,655.00
112-ZW209TH	Pressure Reducing Valve, 400#, FNPT x FNPT	4800-OACV	\$7,323.00
112-ZW209THGL	1.5" ZW209 Press Reduc Vlv Glb Body Fem NPT SS seat 15-150psi Liq Flld Gauge	4800-OACV	\$7,655.00
112-ZW209THHP	1-1/2" PRV THREADED, HI PRESS PILOT	4800-OACV	\$7,535.00
112-ZW209THLP	1.5" ZW209 Press Reduc Vlv Glb Body Fem NPT SS seat 5-25psi Cpr Tube	4800-OACV	\$8,001.00
112-ZW209THRV	1-1/2" PRV THREADED, REVERSE PILOT	4800-OACV	\$7,323.00
112-ZW209THVHP	1.5" ZW209 Press Reduc Vlv Glb Body Fem NPT Viton Rbr SS seat 30-300psi Cpr Tube	4800-OACV	\$9,273.00
112-ZW209THZHP	1-1/2" PRV THREADED W/POS. IND, HI PRESS PILOT	4800-OACV	\$8,283.00
112-ZW209VHP	1.5" ZW209 Press Reduc Vlv Glb Body ANSI 150 Flg SS seat Viton Rbr 30-300psi	4800-OACV	\$11,544.00
112-ZW209Y	1-1/2" PRV 300# FLNG	4800-OACV	\$7,879.00
112-ZW209YGL	1.5" ZW209 Press Reduc Vlv Glb Body ANSI 300 Flg SS seat 15-150psi Liq Flld Gaug	4800-OACV	\$8,216.00
112-ZW209YHP	1.5" ZW209 Press Reduc Vlv Glb Body ANSI 300 Flg SS seat 30-300psi	4800-OACV	\$9,383.00
112-ZW209YZHP	1.5" ZW209 Press Reduc Vlv Glb Body ANSI 300 Flg SS seat Indctr 30-300psi	4800-OACV	\$8,861.00
112-ZW209Z	1-1/2" PRV W/POS. INDICATOR, 150# FLG	4800-OACV	\$8,069.00
112-ZW209ZGL	1.5" ZW209 Press Reduc Vlv Glb Body ANSI 150 Flg Indctr 15-120psi Liq Flld Gauge	4800-OACV	\$8,066.00
112-ZW209ZHP	1.5" ZW209 Press Reduc Vlv Glb Body ANSI 150 Flg SS seat Indctr 30-300psi	4800-OACV	\$8,282.00
112-ZW209ZLP	1.5" ZW209 Press Reduc Vlv Glb Body ANSI 150 Flg SS seat Indctr 5-25psi	4800-OACV	\$8,710.00
112-ZW209ZRV	1.5" ZW209 Press Reduc Vlv Glb Body ANSI 150 Flg SS seat Indctr 15-150psi Rev P	4800-OACV	\$8,070.00
114-112-ZW209-PILOT	PILOT ASSY. COMPLETE, ZW209	4800-OACV	\$2,732.00
114-212-ZPIST	POSITION INDICATOR 1-1/4" - 2-1/2" ZW200 SS	4800-OACV	\$2,162.00
114-ZW209ATHHPRV	1.25" ZW209 Press Reduc Vlv Ang Body Fem NPT SS seat 30-300psi Rev Pilot	4800-OACV	\$8,829.00
114-ZW209ATHVHPRV	1.25" ZW209 Press Reduc Vlv Ang Bdy Fem NPT Viton Rbr SS seat 30-300psi Rev Pilo	4800-OACV	\$10,686.00
114-ZW209BPATH	1.25" ZW209 P-Reduc Lo Flw Bypass Vlv Ang Body Fem NPT SS seat 15-150psi	4800-OACV	\$8,781.00
114-ZW209BPCLTHZHPGL	1-1/4" PRV w/Bypass Glb Body w/Chk Cls Spd Ctrl Fem NPT Indctr 30-300psi Liq Gaug	4800-OACV	\$12,575.00
114-ZW209BPCTHGL	1.25" ZW209 P-Reduc Lo Flw Bypass Vlv Glb Body w/Check Fem NPT 15-150psi, liq. G	4800-OACV	\$9,933.00
114-ZW209BPCTHLP	1.25" ZW209 P-Reduc Lo Flw Bypass Vlv Glb Body w/Check Fem NPT 5-25psi	4800-OACV	\$10,642.00
114-ZW209BPCTHZ	1.25" ZW209 P-Reduc Lo Flw Bypass Vlv Glb Body w/Check Fem NPT Indctr 15-150psi	4800-OACV	\$10,341.00
114-ZW209BPPEXTH	1.25" ZW209 Press Reduc Lo Flw Bypass Vlv Glb Body Fem NPT SS seat 15-150psi	4800-OACV	\$6,788.00
114-ZW209BPPLTH	1.25" ZW209 P-Reduc Lo Flw Bypass Vlv Glb Body Cls Spd Ctrl Fem NPT 15-150psi	4800-OACV	\$9,236.00
114-ZW209BPPLTHRV	1.25" ZW209 P-Reduc Lo Flw Bypass Vlv Glb Body Cls Spd Ctrl Fem NPT 15-150psi Re	4800-OACV	\$9,236.00
114-ZW209BPPLTHZHP	1.25" ZW209 P-Red Lo Flw Bypas Glb Bdy Cls Spd Ctrl NPT Pos Ind Pilot 30-300psi	4800-OACV	\$11,361.00
114-ZW209BPPTHHPGL	1.25" ZW209 Press Reduc Lo Flw Bypass Vlv Glb Body NPT 30-300psi Liq G	4800-OACV	\$10,628.00
114-ZW209BPPTHHPSPGL	1.25" ZW209 Press Reduc Lo Flw Bypass Vlv Glb Body NPT 30-300psi SS Pltry Liq G	4800-OACV	\$15,992.00
114-ZW209BPPTHLPGL	1.25" ZW209 Press Reduc Lo Flw Bypass Vlv Glb Body Fem NPT SS seat 5-25psi Liq G	4800-OACV	\$8,906.00
114-ZW209BPPTHRVGL	1.25" ZW209 P-Reduc Lo Flw Bypass V Glb Bdy Fem NPT 15-150psi Liq Flld Gauge Rev	4800-OACV	\$9,348.00
114-ZW209BPPTHSP	1.25" ZW209 Press Reduc Lo Flw Bypass Vlv Glb Body NPT 15-120psi SS Pltry	4800-OACV	\$13,785.00
114-ZW209BPPTHVHP	1.25" ZW209 Press Reduc Lo Flw Bypass Vlv Glb Body Fem NPT Viton Rbr 30-300psi	4800-OACV	\$12,147.00
114-ZW209BPPTHVZHPGL	1.25" ZW209 PR Lo Flw Bypass Vlv Glb Body NPT Viton Rbr Indctr 30-300psi LiqG	4800-OACV	\$13,229.00
114-ZW209BPPTHZ	1.25" ZW209 Press Reduc Lo Flw Bypass Vlv Glb Body Fem NPT Indctr 15-150psi	4800-OACV	\$9,531.00
114-ZW209BPPTHZGL	1.25" ZW209 PR Lo Flw Bypass Vlv Glb Body Fem NPT Indctr 15-150psi Liq Flld G	4800-OACV	\$9,866.00
114-ZW209CLTHHP	1.25" ZW209 Press Reduc Vlv Glb Body w/Check Cls Spd Ctrl Fem NPT 30-300psi	4800-OACV	\$8,754.00
114-ZW209CLTHZHPGL	1.25" ZW209 PRV Glb Body w/Chk Cls Spd Ctrl Fem NPT 30-300psi Indctr Liq Gage	4800-OACV	\$11,027.00
114-ZW209CTH	1.25" ZW209 Press Reduc Vlv Glb Body w/Check Fem NPT SS seat 15-150psi Cpr Tube	4800-OACV	\$8,139.00
114-ZW209CTHHP	1.25" ZW209 Pr Reduc Vlv Glb Body w/Check Fem NPT 30-300psi Cpr Tube	4800-OACV	\$8,324.00
114-ZW209EXTH	1.25" ZW209 Press Reduc Vlv Glb Body Fem NPT SS seat 15-150psi Cpr Tube	4800-OACV	\$5,311.00
114-ZW209FPBS	1.25" ZW209 Press Reduc Fire Vlv Glb BSPP Body SS seat 15-150psi Cpr Tube	4800-OACV	\$7,412.00
114-ZW209FPTH	1.25" ZW209 Press Reduc Fire Vlv Glb Body Fem NPT SS seat 50-165psi Cpr Tube	4800-OACV	\$7,412.00

114-ZW209FPTHHP	1.25" ZW209 Press Reduc Fire Vlv Glb Body Fem NPT SS seat 30-300psi Cpr Tube	4800-OACV	\$7,032.00
114-ZW209FPTHRV	1.25" ZW209 PR Fire Vlv Glb Body Fem NPT SS seat 15-150psi Cpr Tube Rev Pilot	4800-OACV	\$10,348.00
114-ZW209HHTH	1.25" ZW209 Press Reduc Prss Sust Vlv Glb Body Fem NPT SS seat Cpr Tube	4800-OACV	\$8,896.00
114-ZW209LTHSP	1.25" ZW209 Press Reduc Vlv Glb Body Cls Spd Ctrl Fem NPT SS seat 15-150psi	4800-OACV	\$13,815.00
114-ZW209QTH	1.25" ZW209 Press Reduc w/Surge Vlv Glb Body Fem NPT SS seat 15-150psi Cpr Tube	4800-OACV	\$10,203.00
114-ZW209QTHHP	1.25" ZW209 Press Reduc w/Surge Vlv Glb Body Fem NPT SS seat 30-300psi,150-300p	4800-OACV	\$11,814.00
114-ZW209TH	Pressure Reducing Valve, 400#, FNPT x FNPT	4800-OACV	\$7,323.00
114-ZW209THGL	1.25" ZW209 Press Reduc Vlv Glb Body Fem NPT SS seat 15-120psi Cpr Tube Lq Gauge	4800-OACV	\$7,642.00
114-ZW209THHP	1-1/4" PRV THREADED, HI PRESS PILOT	4800-OACV	\$8,736.00
114-ZW209THHPGL	1.25" ZW209 Press Reduc Vlv Glb Body Fem NPT 30-300psi Liq Flld Gauge	4800-OACV	\$9,172.00
114-ZW209THHPGLSD	1.25" ZW209 Press Reduc Vlv Glb Bdy Fem NPT 30-300psi Liq Flld Gge W/Dual Lt Swt	4800-OACV	\$16,372.00
114-ZW209THHPRV	1.25" ZW209 Press Reduc Vlv Glb Body Fem NPT SS seat 30-300psi Rev Pilot	4800-OACV	\$8,829.00
114-ZW209THLP	1.25" ZW209 Press Reduc Vlv Glb Body Fem NPT SS seat 5-25psi Cpr Tube	4800-OACV	\$8,000.00
114-ZW209THRV	1.25" ZW209 Press Reduc Vlv Glb Body Fem NPT SS seat 15-150psi Rev Pilot	4800-OACV	\$7,323.00
114-ZW209THSP	1.25" ZW209 Press Reduc Vlv Glb Body Fem NPT SS seat 15-120psi SS Pilotry	4800-OACV	\$13,386.00
114-ZW209THVHP	1.25" ZW209 Press Reduc Vlv Glb Body Fem NPT Viton Rbr SS seat 30-300psi Cpr Tub	4800-OACV	\$10,686.00
114-ZW209THZHP	1.25" ZW209 Press Reduc Vlv Glb Body Fem NPT Indctr 30-300psi Cpr Tube	4800-OACV	\$9,593.00
114-ZW209THZHPGL	1.25" ZW209 Press Reduc Vlv Glb Body Fem NPT Indctr 30-300psi Liq Flld Gauge	4800-OACV	\$9,912.00
12-ZW209	12" ZW209 Press Reduc Vlv Glb Body ANSI 150 Flg SS seat Cpr Tubng Brz Ftngs	4800-OACV	\$56,802.00
12-ZW209CHPGL	12" ZW209 Press Reduc Vlv Glb Body w/Check ANSI 150 Flg SS seat 30-300psi Liq Ga	4800-OACV	\$66,981.00
12-ZW209HCLZSLP2SP	12" ZW209 Pr Red Pr Sus Vlv Glb Bdy w/Chk ClsSpdCtrl ANSI 150Flg Indtr 15-120psi	4800-OACV	\$64,008.00
12-ZW209HPSH	12" ZW209 Press Reduc Vlv Glb Body ANSI 150 Flg SS seat 30-300psi SS Hoses	4800-OACV	\$65,897.00
12-ZW209HPSP	12" ZW209 Press Reduc Vlv Glb Body ANSI 150 Flg SS seat 30-300psi SS Pilotry	4800-OACV	\$80,273.00
12-ZW209HYHPSPSP	12" ZW209 Press Reduc Prss Sust Vlv Glb Body ANSI 300 Flg 30-300psi, 50-200psi	4800-OACV	\$61,616.00
12-ZW209LP	12" ZW209 Press Reduc V Glb Bdy ANSI 150 Flg SS seat 5-25psi Cpr Tube	4800-OACV	\$56,801.00
12-ZW209LSP	12" ZW209 Press Reduc V Glb Bdy ClsSpdCtrl ANSI 150 Flg SS seat SS Pilot	4800-OACV	\$60,506.00
12-ZW209QYHP	12" Press Reduc w/Surge Vlv Glb Body ANSI 300 Flg30-300psi	4800-OACV	\$63,677.00
12-ZW209RV	12" ZW209 Press Reduc Vlv Glb Body ANSI 150 Flg SS seat 15-150psi Cpr Tube Rev.	4800-OACV	\$56,802.00
12-ZW209Y	12" ZW209 Press Reduc Vlv Glb Body ANSI 300 Flg SS seat Cpr Tubng Brz Ftngs	4800-OACV	\$59,183.00
12-ZW209YHP	12" ZW209 Press Reduc Vlv Glb Body ANSI 300 Flg SS seat 30-300psi Cpr Tube	4800-OACV	\$65,897.00
12-ZW209YHPSH	12" ZW209 Press Reduc Vlv Glb Body ANSI 300 Flg SS seat 30-300psi SS Hoses	4800-OACV	\$65,897.00
12-ZW209ZSP	12" ZW209 Press Reduc Vlv Glb Body ANSI 150 Flg SS seat 15-150psi SS Pilotry	4800-OACV	\$63,530.00
14-ZW209	14" ZW209 Press Reduc Vlv Glb Body ANSI 150 Flg SS seat Cpr Tubng Brz Ftngs	4800-OACV	\$90,437.00
14-ZW209HLPLP	14" Press Reduc Prss Sust Vlv Glb Body Red. 5-25psi, Sus. 30-90psi	4800-OACV	\$93,369.00
14-ZW209SC	14" ZW209 Press Reduc Vlv Glb Body ANSI 150 Flg SS seat 15-150psi Limit Switch	4800-OACV	\$94,536.00
14-ZW209Y	14" ZW209 Press Reduc Vlv Glb Body ANSI 300 Flg SS seat Cpr Tubng Brz Ftngs	4800-OACV	\$97,621.00
150-ZW209BG	DN150 ZW209 Press Reduc Vlv Glb Body BS Grvd SS seat 15-150psi Cpr Tube	4800-OACV	\$19,625.00
150-ZW209BSE	DN150 ZW209 Press Reduc Vlv Glb Body Tbl E Flg SS seat 15-150psi Cpr Tube	4800-OACV	\$18,364.00
150-ZW209BSEGL	DN150 ZW209 Press Reduc Vlv Glb Body Tbl E Flg SS seat 15-150psi Liq Flld Gauge	4800-OACV	\$18,705.00
150-ZW209FPBG	DN150 ZW209 Press Reduc Fire Vlv Glb Body BS Grvd SS seat 15-150psi Cpr Tube	4800-OACV	\$19,625.00
150-ZW209FPBSE	DN150 ZW209 Press Reduc Fire Vlv Glb Body Tbl E Flg SS seat 15-150psi Cpr Tube	4800-OACV	\$20,605.00
16-ZW209	16" ZW209 Press Reduc Vlv Glb Body ANSI 150 Flg SS seat Cpr Tubng Brz Ftngs	4800-OACV	\$105,340.00
16-ZW209HGL	16" Pr Red Pr Sust Vlv Glb Bdy ANSI 150 Flg Red 15-120psi Sus 50-200psi Liq Gaug	4800-OACV	\$107,138.00
16-ZW209LZGL	16" ZW209 P-Red Glb Bdy Cls Spd Ctrl ANSI 150 Flg SS seat 15-150psi Cu Td Ind Li Ga	4800-OACV	\$107,415.00
212-ZW209	Pressure Reducing Valve, 150#, Flange x Flange	4800-OACV	\$9,022.00
212-ZW209A	2.5" ZW209 Press Reduc Vlv Ang Body ANSI 150 Flg SS seat 15-150psi Cpr Tube	4800-OACV	\$9,022.00
212-ZW209AGL	2.5" ZW209 Press Red Vlv Ang Bdy ANSI 150 Flg SS seat 15-150psi Cpr Tube Lq Gauge	4800-OACV	\$9,359.00
212-ZW209AHPGL	2.5" ZW209 Press Red Vlv Ang Bdy ANSI 150 Flg SS seat 30-300psi Cpr Tube Lq Gauge	4800-OACV	\$10,848.00
212-ZW209ASP	2.5" ZW209 Press Reduc Vlv Ang Body ANSI 150 Flg SS seat 15-150psi SS Pilotry	4800-OACV	\$14,812.00
212-ZW209ATH	2.5" ZW209 Press Reduc Vlv Ang Body Fem NPT Flg SS seat 15-150psi Cpr Tube	4800-OACV	\$9,022.00
212-ZW209AY	2.5" ZW209 Press Reduc Vlv Ang Body ANSI 300 Flg SS seat 15-150psi Cpr Tube	4800-OACV	\$9,652.00
212-ZW209BPA	2.5" ZW209 Press Reduc Lo Flw Bypass Vlv Ang Body ANSI 150 Flng SS Seat 15-120PS	4800-OACV	\$11,985.00

212-ZW209BPATHRV	2-1/2" ZW209 Press Reduc Lo Flw Bypass Vlv Ang Bdy Fem NPT SS seat 15-150psi Rev	4800-OACV	\$11,984.00
212-ZW209BPCGL	2.5" ZW209 P-Reduc Lo Flw Bypass Glb Bdy w/Chk ANSI 150 Flg SS seat, Liq. Gauge	4800-OACV	\$13,137.00
212-ZW209BPCHP	2.5" ZW209 P-Reduc Lo Flw Bypass Glb Bdy w/Chk ANSI 150 Flg 30-300psi	4800-OACV	\$14,307.00
212-ZW209BPCLTHZHPGL	2-1/2" PRV w/Bypass Glb Body w/Chk Cls Spd Ctrl Fem NPT Indctr 30-300psi Lq Gaug	4800-OACV	\$15,088.00
212-ZW209BPCLYZ	2.5" P-Reduc Lo Flw Bypass Glb Bdy w/Chk Cls Spd Ctrl ANSI 300 Flg SS seat Ind.	4800-OACV	\$14,627.00
212-ZW209BPCRV	2.5" ZW209 P-Reduc Lo Flw Bypass Glb Bdy w/Chk ANSI 150 Flg 15-150psi Rev Pilot	4800-OACV	\$12,803.00
212-ZW209BPCTH	2.5" ZW209 LoFlw Bypass Vlv Glb Bdy w/chk Fem NPT 15-150psi 15-150psi	4800-OACV	\$12,796.00
212-ZW209BPCYZ	2.5" ZW209 P-Reduc Lo Flw Bypass Glb Bdy w/Chk ANSI 300 Flg Indctr 15-150psi	4800-OACV	\$14,175.00
212-ZW209BPCZ	2.5" ZW209 P-Reduc Lo Flw Bypass Glb Bdy w/Chk ANSI 150 Flg Indctr 15-150psi	4800-OACV	\$13,542.00
212-ZW209BPPEX	2.5" ZW209 Press Reduc Lo Flw Bypass Vlv Glb Body ANSI 150 Flg SS seat 15-150psi	4800-OACV	\$9,818.00
212-ZW209BPPEXY	2.5" ZW209 Press Reduc Lo Flw Bypass Vlv Glb Body ANSI 300 Flg SS seat 15-150psi	4800-OACV	\$12,616.00
212-ZW209BPGGL	2.5" ZW209 P-Reduc Lo Flw Bypass Vlv Glb Body IPS Grvd 15-150psi Liq Fld Gauge	4800-OACV	\$12,319.00
212-ZW209BPGHP	2.5" ZW209 Press Reduc Lo Flw Bypass Vlv Glb Body IPS Grvd SS seat 30-300psi	4800-OACV	\$13,495.00
212-ZW209BPGHPL	2.5" ZW209 P-Reduc Lo Flw Bypass Vlv Glb Body IPS Grvd 30-300psi Liq Fld Gauge	4800-OACV	\$13,807.00
212-ZW209BPGHPLSD	2.5" ZW209 P-Reduc Lo Flw Bypass Vlv Glb Body IPS Grv 30-300psi Liq Fld Gge Lim Swt	4800-OACV	\$21,008.00
212-ZW209BPGHPSP	2.5" ZW209 P-Reduc Lo Flw Bypass Vlv Glb Body IPS Grvd 30-300psi SS Pilotry	4800-OACV	\$18,505.00
212-ZW209BPHP	2.5" ZW209 Press Reduc Lo Flw Bypass Vlv Glb Body ANSI 150 Flg SS seat 30-300psi	4800-OACV	\$13,495.00
212-ZW209BPGLGRV	2.5" ZW209 P-Red Lo Flw Bypass Glb Bdy Cls Spd Ctrl ANSI 150 Flg 15-150psi Liq G	4800-OACV	\$13,799.00
212-ZW209BPGLGZ	2.5" ZW209 P-Reduc Lo Flw Bypass Glb Bdy IPS Grvd Cls Spd Ctrl, Indctr 15-150psi	4800-OACV	\$13,184.00
212-ZW209BPPLP	2.5" ZW209 Press Reduc Lo Flw Bypass Vlv Glb Body ANSI 150 Flg SS seat 5-25psi	4800-OACV	\$11,985.00
212-ZW209BPPLTH	2.5" ZW209 P-Reduc Lo Flw Bypass Glb Bdy Cls Spd Ctrl Fem NPT 15-150psi	4800-OACV	\$12,434.00
212-ZW209BPPLTHZHP	2.5" ZW209 P-Red Lo Flw Bypass Glb Bdy Cls Spd Ctrl NPT Pos Ind Pilot 30-300psi	4800-OACV	\$14,563.00
212-ZW209BP-PILOT	PILOT ASSY. COMPLETE, 2 ZW209BP	4800-OACV	\$3,578.00
212-ZW209BPPN16	2.5" ZW209 Press Reduc Lo Flw Bypass Vlv Glb Body Class PN16 Flg SS seat 15-150psi	4800-OACV	\$11,984.00
212-ZW209BPPRV	2.5" ZW209 P-Reduc Lo Flw Bypass Vlv Glb Body ANSI 150 Flg Rev Pilot	4800-OACV	\$11,984.00
212-ZW209BPPTH	2.5" ZW209 Press Reduc Lo Flw Bypass Vlv Glb Body Fem NPT SS seat 15-150psi	4800-OACV	\$11,984.00
212-ZW209BPVZHPSP	2.5" P-Reduc Lo Flw Bypass Glb Bdy ANSI 150 Flg SS Pilotry Viton Rbr Liq Gage P	4800-OACV	\$21,558.00
212-ZW209BPYPHP	2.5" ZW209 Press Reduc Lo Flw Bypass Vlv Glb Body ANSI 300 Flg SS seat 30-300psi	4800-OACV	\$14,124.00
212-ZW209BPYPHGL	2.5" ZW209 P-Reduc Lo Flw Bypass Glb Bdy ANSI 300 Flg 30-300psi Liq Fld Gauge	4800-OACV	\$14,463.00
212-ZW209BPYRV	2.5" ZW209 P-Reduc Lo Flw Bypass Vlv Glb Body ANSI 300 Flg Rev Pilot	4800-OACV	\$12,131.00
212-ZW209BPVZHPSP	2.1/2" P-Reduc Lo Flw Bypass Glb Bdy ANSI 300 Flg SS Pilotry Viton Rbr Liq Gage P	4800-OACV	\$22,191.00
212-ZW209BPZGL	2.5" ZW209 P-Reduc Lo Flw Bypass Glb Bdy ANSI 150 Flg Indctr 15-150psi Liq Fld	4800-OACV	\$13,072.00
212-ZW209BPZHP	2.5" ZW209 Pr Reduc Lo Flw Bypass Vlv Glb Bdy ANSI 150 Flg Pstn Indctr 30-300psi	4800-OACV	\$14,204.00
212-ZW209BSE	2-1/2" PRV BS10 TABLE	4800-OACV	\$9,022.00
212-ZW209C	2.5" ZW209 Press Reduc Vlv Glb Body w/Check ANSI 150 Flg SS seat 15-150psi	4800-OACV	\$9,832.00
212-ZW209CA	2.5" ZW209 Press Reduc Vlv w/Check Ang Body ANSI 150 Flg SS seat 15-150psi Cpr T	4800-OACV	\$9,835.00
212-ZW209CAGHPSH	2.5" ZW209 Press Reduc Vlv w/Check Ang Body IPS Grvd 30-300 psi SS Hose	4800-OACV	\$11,353.00
212-ZW209CAGHPSHRV	2.5" ZW209 Press Reduc Vlv w/Check Ang Body IPS Grvd 30-300 psi SS Hose Rev	4800-OACV	\$11,353.00
212-ZW209CAHP	2.5" ZW209 Press Reduc Vlv w/Check Ang Body ANSI 150 Flg SS seat 30-300psi Cpr	4800-OACV	\$11,353.00
212-ZW209CGL	2.5" ZW209 Press Reduc Vlv Glb Body w/Check ANSI 150 Flg SS seat 15-150psi Liq. Gauge	4800-OACV	\$10,171.00
212-ZW209CHP	2.5" ZW209 Press Reduc Vlv Glb Body w/Check ANSI 150 Flg SS seat 30-300psi	4800-OACV	\$11,340.00
212-ZW209CLYZ	2.5" ZW209 P-Reduc Vlv Glb Body w/Chk Cls Spd Ctrl ANSI 300 Flg Indctr 15-150psi	4800-OACV	\$11,664.00
212-ZW209CLYZHPGL	2.5" ZW209 PRV Glb Body w/Chk Cls Spd Ctrl ANSI 300 Flg SS seat 30-300psi Indctr Li	4800-OACV	\$13,521.00
212-ZW209CYGL	2.5" ZW209 Press Reduc Vlv Glb Body w/Check ANSI 300 Flg 15-120psi Liq Gauge	4800-OACV	\$10,756.00
212-ZW209CYHP	2.5" ZW209 Press Reduc Vlv Glb Body w/Check ANSI 300 Flg SS seat 30-300psi Cpr Tu	4800-OACV	\$11,340.00
212-ZW209CYVZ	2.5" ZW209 Press Reduc Vlv Glb Body w/Check ANSI 300 Flg Indctr 15-150psi	4800-OACV	\$11,213.00
212-ZW209CYVZSP	2.5" ZW209 Pr Red Vlv Glb Bdy w/Check ANSI 300 Flg Pstn Indctr 15-120psi SS Pilot	4800-OACV	\$16,039.00
212-ZW209CZ	2.5" ZW209 Press Reduc Vlv Glb Body w/Check ANSI 150 Flg Indctr 15-150psi	4800-OACV	\$10,583.00
212-ZW209CZSP	2.5" ZW209 Press Reduc Vlv Glb Body w/Check ANSI 150 Flg Indctr SS seat 15-150psi	4800-OACV	\$16,040.00
212-ZW209CLNC	2.5" ZW209 P-Reduc w/Sind Vlv Glb Bdy w/Check Cls Spd Ctr ANSI 150 Flg 15-150psi	4800-OACV	\$12,124.00
212-ZW209ENC	2.5" ZW209 Press Reduc w/Sind Vlv Glb Body ANSI 150 Flg 15-150psi NrmClsd 120v	4800-OACV	\$10,859.00
212-ZW209ETHZ4NC	2.5" ZW209 Press Reduc w/Sind Vlv Glb Body Fem NPT SS seat 15-150psi NrmClsd 24v	4800-OACV	\$10,861.00

212-ZW209EX	2.5" ZW209 Press Reduc Vlv Glb Body ANSI 150 Flg SS seat 15-150psi Cpr Tube	4800-OACV	\$6,852.00
212-ZW209EXHP	2.5" ZW209 Press Reduc Vlv Glb Body ANSI 150 Flg SS seat 30-300psi Cpr Tube	4800-OACV	\$12,368.00
212-ZW209EXPN16	2.5" ZW209 Press Reduc Vlv Glb Body ISO PN16 Flg SS seat 15-150psi Cpr Tube	4800-OACV	\$6,852.00
212-ZW209EXPN16RV	2.5" ZW209 Press Reduc Vlv Glb Body ISO PN16 Flg SS seat 15-150psi Cpr Tube Rev	4800-OACV	\$12,868.00
212-ZW209EXRV	2.5" ZW209 Press Reduc Vlv Glb Body ANSI 150 Flg SS seat 15-150psi Rev Pilot	4800-OACV	\$10,453.00
212-ZW209EXY	2.5" ZW209 Press Reduc Vlv Glb Body ANSI 300 Flg SS seat 15-150psi Cpr Tube	4800-OACV	\$12,515.00
212-ZW209EXYHPRV	2.5" ZW209 Press Reduc Vlv Glb Body ANSI 300 Flg SS seat 30-300psi Rev Pilot	4800-OACV	\$13,002.00
212-ZW209FPBG	2.5" ZW209 Press Reduc Fire Vlv Glb Body BS Grvd SS seat 15-150psi Cpr Tube	4800-OACV	\$8,532.00
212-ZW209FPCAG	2.5" ZW209 Press Reduc Fire Vlv Ang Body W/check Grooved SS seat 15-150psi Cpr T	4800-OACV	\$10,175.00
212-ZW209FPCAGRV	2.5" ZW209 Press Reduc Fire Vlv Ang Body W/check Grooved 15-150psi Cpr Tube Rev	4800-OACV	\$10,175.00
212-ZW209FPCG	2.5" ZW209 Press Reduc Fire Vlv Glb Body w/Check IPS Grvd SS seat 15-150psi	4800-OACV	\$10,802.00
212-ZW209FPCGHP	2.5" ZW209 Press Reduc Fire Vlv Glb Body w/Check IPS Grvd SS seat 30-300psi	4800-OACV	\$13,207.00
212-ZW209FPCGHPRV	2.5" ZW209 Press Reduc Fire Vlv Glb Body w/Check IPS Grvd SS seat 30-300psi Rvrs	4800-OACV	\$13,207.00
212-ZW209FPCZHPSP	2.5" ZW209 P-Reduc Fire Vlv Glb Body w/Chk IPS Grvd Indctr 30-300psi SS Pilotry	4800-OACV	\$19,417.00
212-ZW209FPCGZRV	2.5" ZW209 P-Reduc Fire Vlv Glb Body w/Check IPS Grvd Indctr 15-150psi Rev Pilot	4800-OACV	\$12,439.00
212-ZW209FPGHP	2.5" ZW209 Press Reduc Fire Vlv Glb Body IPS Grvd SS seat 30-300psi Cpr Tube	4800-OACV	\$12,395.00
212-ZW209FPGHPRV	2.5" ZW209 Press Reduc Fire V Glb Body IPS Grvd SS seat 30-300psi Cpr Tube Rev P	4800-OACV	\$12,396.00
212-ZW209FPGHPSP	2.5" ZW209 Press Reduc Fire Vlv Glb Body IPS Grvd SS seat 30-300psi SS Pilot	4800-OACV	\$18,048.00
212-ZW209FPGHPSPRV	2.5" ZW209 Press Reduc Fire Vlv Glb Body IPS Grvd SS seat 30-300psi SS Pilot Rev	4800-OACV	\$18,048.00
212-ZW209FPGSP	2.5" ZW209 PR Fire Vlv Glb Body IPS Grvd SS seat 15-150psi SS Pilotry	4800-OACV	\$15,034.00
212-ZW209FPGSPRV	2.5" ZW209 PR Fire Vlv Glb Body IPS Grvd SS seat 50-165psi SS Pilotry Rev Pilot	4800-OACV	\$14,872.00
212-ZW209FPGST	2.1/2" ZW209 Press Reduc Fire Vlv Glb Body IPS Grvd SS seat 15-150psi ST Tube	4800-OACV	\$14,031.00
212-ZW209FPGZ	2.5" ZW209 Press Reduc Fire Vlv Glb Body IPS Grvd SS seat Indctr 15-150psi	4800-OACV	\$10,109.00
212-ZW209FPGZRV	2.5" ZW209 Press Reduc Fire Vlv Glb Body IPS Grvd Indctr 15-150psi Rev Pilot	4800-OACV	\$10,109.00
212-ZW209FP-PILOT	Pilot Assy. Complete Fire PRV ZW209FP "Any Connection"	4800-OACV	\$3,287.00
212-ZW209FPPN16	2.5" ZW209 Press Reduc Fire Vlv Glb Body ISO PN16 Flg SS seat 15-150psi Cpr Tube	4800-OACV	\$10,884.00
212-ZW209FPPXRV	2.5" ZW209 Press Reduc Fire Vlv Glb Body ANSI 150 Flg 15-150psi Rev Pilot	4800-OACV	\$9,360.00
212-ZW209FPYHP	2.5" ZW209 Press Reduc Fire Vlv Glb Body ANSI 300 Flg SS seat 30-300psi Cpr Tu	4800-OACV	\$11,915.00
212-ZW209FPYRV	2.5" ZW209 Press Reduc Fire V Glb Body ANSI 300 Flg SS seat 15-150psi Rev Pilot	4800-OACV	\$10,884.00
212-ZW209G	Pressure Reducing Valve, 300#, Grooved x Grooved	4800-OACV	\$9,022.00
212-ZW209GHP	2-1/2" PRV GROOVED, HIGH PRESSURE	4800-OACV	\$10,530.00
212-ZW209GHPGLSD	2.5" ZW209 Pre Red Vlv Glb Bdy IPS Grvd SS seat 30-300psi Liq Fil Gag w/Du Ls	4800-OACV	\$18,861.00
212-ZW209GL	2-1/2" PRV 150# FLNG W/ LIQ GAUGES	4800-OACV	\$9,358.00
212-ZW209GVHP	2.1/2" ZW209 Press Reduc Vlv Glb Body IPS Grvd SS seat Viton Rbr 30-300psi Cpr	4800-OACV	\$12,387.00
212-ZW209H	Pressure Reducing Valve / Pressure Sustaining Function, Class 150, Flanged x Flanged	4800-OACV	\$10,598.00
212-ZW209HCHHPH	2.5" ZW209 Press Reduc Prss Sust Vlv Glb Body w/Check ANSI 150 Flg SS seat	4800-OACV	\$14,421.00
212-ZW209HP	2-1/2" ZW209, HIGH PRESSURE	4800-OACV	\$10,530.00
212-ZW209HPRV	2-1/2" PRV 150# FLNG W/ HIGH PRESS, REV PILOT	4800-OACV	\$9,237.00
212-ZW209HPRVGL	2.5" ZW209 Press Reduc Vlv Glb Bdy ANSI 150 Flg SS seat 30-300psi Rev Pilot Liq Ga	4800-OACV	\$9,554.00
212-ZW209HSLP	2-1/2" ZW209 Press Red Prss Sus Vlv Glb Body ANSI 150 Flg SS seat Cpr Tube 5-25 P	4800-OACV	\$11,284.00
212-ZW209L	2.5" ZW209 Press Reduc Vlv Glb Body Cls Spd Ctrl ANSI 150 Flg SS seat 15-150psi	4800-OACV	\$9,474.00
212-ZW209LGL	2.5" ZW209 Pr Red Vlv Glb Bdy Cls Spd Ctrl ANSI 150 Flg 15-120psi w/Liq Fil Gauge	4800-OACV	\$9,794.00
212-ZW209LP	2.5" ZW209 Press Reduc Vlv Glb Body ANSI 150 Flng Lo Press. Pilot	4800-OACV	\$9,696.00
212-ZW209LPSP	2.5" ZW209 Press Reduc Vlv Glb Body ANSI 150 Flg Lo Press PH SS seat 15-150psi	4800-OACV	\$15,157.00
212-ZW209LRV	2.5" ZW209 Press Reduc Vlv Glb Body Cls Spd Ctrl ANSI 150 Flg 5-150psi Rev Pilot	4800-OACV	\$9,474.00
212-ZW209LYHP	2.5" ZW209 Press Reduc Vlv Glb Body Cls Spd Ctrl ANSI 300 Flg SS seat 30-300psi	4800-OACV	\$11,622.00
212-ZW209LYSHGL	2-1/2" Press Reduc Vlv Glb Body Cls Spd Ctrl Opn Spd Ctrl ANSI 300 Flg SS Hose L	4800-OACV	\$9,888.00
212-ZW209NI	2.5" ZW209 Press Reduc Vlv Glb Body ANSI 150 Flg No pilot Ball Vlv 15-150psi	4800-OACV	\$9,022.00
212-ZW209-PILOT	PILOT ASSY. COMPLETE, ZW209	4800-OACV	\$1,988.00
212-ZW209PN16	2.5" ZW209 Press Reduc Vlv Glb Body ISO PN16 Flg SS seat 15-150psi Cpr Tube	4800-OACV	\$9,022.00
212-ZW209PN16GL	2.5" ZW209 PRV Vlv Glb Bdy ISO PN16 Flg SS seat 15-150psi Cpr Tube Liq Fld Gaug	4800-OACV	\$9,474.00
212-ZW209Q	2-1/2" PRV W/SURGE CONTROL, 150# FLNG	4800-OACV	\$12,007.00
212-ZW209QG	2.5" ZW209 Press Reduc w/Surge Vlv Glb Body IPS Grvd SS seat 15-150psi Cpr Tube	4800-OACV	\$12,007.00
212-ZW209QGH	2.5" ZW209 Press Reduc w/Surge Vlv Glb Body IPS Grvd SS seat 30-300psi, 150-300p	4800-OACV	\$13,515.00

212-ZW2090SH	2.5" ZW209 Pre Reduc w/Surge Vlv GIB Body ANSI 150 Flg SS seat 15-120psi SS Hose	4800-OACV	\$12,007.00
212-ZW2090SHRV	2.5" ZW209 Pr Rd w/Srg Vlv GIB Bdy ANSI 150 Flg SS seat 15-120psi SS Hose Rev Pj	4800-OACV	\$12,007.00
212-ZW2090QTH	2.5" ZW209 Press Reduc w/Surge Vlv GIB Body Fem NPT SS seat 15-150psi Cpr Tube	4800-OACV	\$12,007.00
212-ZW2090Y	2.5" ZW209 Press Reduc w/Surge Vlv GIB Body ANSI 300 Flg SS seat 15-150psi	4800-OACV	\$12,635.00
212-ZW209RV	2.5" ZW209 Press Reduc Vlv GIB Body ANSI 150 Flg SS seat 15-150psi Rev Pilot	4800-OACV	\$9,022.00
212-ZW209SH	2.5" ZW209 Press Reduc Vlv GIB Body ANSI 150 Flg SS seat 15-150psi SS Hose	4800-OACV	\$9,022.00
212-ZW209SP	2.5" ZW209 Press Reduc Vlv GIB Body ANSI 150 Flg SS seat 15-150psi SS Pilotry	4800-OACV	\$14,475.00
212-ZW209SP-PILOT	Pilot Assy Stainless Steel Complete ZW209SP, any connection	4800-OACV	\$9,048.00
212-ZW209TH	2.5" ZW209 Press Reduc Vlv GIB Body Fem NPT SS seat 15-150psi Cpr Tube	4800-OACV	\$9,022.00
212-ZW209THGL	2-1/2" PRV THRD w/LIQ. GAUGES	4800-OACV	\$9,358.00
212-ZW209THRV	2.5" ZW209 P-Reduc Vlv GIB Body Fem NPT SS seat 15-150psi Cpr Tube Rev	4800-OACV	\$9,022.00
212-ZW209THRVGL	2.5" ZW209 PRV GIB Body Fem NPT SS seat 15-150psi Liq Fld Gauge, Rev Pilot	4800-OACV	\$9,083.00
212-ZW209THZ	2.5" ZW209 Press Reduc Vlv GIB Body Fem NPT SS seat 15-150psi Cpr Tube Pos. Ind.	4800-OACV	\$9,771.00
212-ZW209VHP	2.5" ZW209 Press Reduc Vlv GIB Body ANSI 150 Flg SS seat Viton Rbr 30-300psi	4800-OACV	\$12,384.00
212-ZW209Y	Pressure Reducing Valve, 300H, Flange x Flange	4800-OACV	\$9,652.00
212-ZW209YHP	2.5" ZW209 Press Reduc Vlv GIB Body ANSI 300 Flg SS seat 30-300psi Cpr Tube	4800-OACV	\$11,162.00
212-ZW209YVHP	2.5" ZW209 Pr Red Vlv GIB Bdy ANSI 300 Flg SS seat 30-300psi Cpr Tube Viton Rubr	4800-OACV	\$12,901.00
212-ZW209Z	2.5" ZW209 Press Reduc Vlv GIB Body ANSI 150 Flg Indctr 15-150psi	4800-OACV	\$9,775.00
212-ZW209ZHPGL	2.5" ZW209 Press Reduc Vlv GIB Body ANSI 150 Flg Indctr 30-300psi Liq Fld Gauge	4800-OACV	\$9,793.00
212-ZW209ZSHGL	2.5" ZW209 Press Reduc Vlv GIB Body ANSI 150 Flg Indctr 15-120psi SS Hose Lq Gau	4800-OACV	\$11,624.00
2-ZW209	Pressure Reducing Valve, 150H, Flange x Flange	4800-OACV	\$8,615.00
2-ZW209A	2" ZW209 Press Reduc Vlv Ang Bdy ANSI 150 Flg SS seat 15-150psi Cpr Tube	4800-OACV	\$8,615.00
2-ZW209AGL	2" ZW209 Pr Red Vlv Ang Bdy ANSI 150 Flg SS seat 15-120psi Cpr Tube Liq Fil Gau	4800-OACV	\$8,935.00
2-ZW209AHPGL	2" ZW209 Pres Red Vlv Ang Bdy ANSI 150 Flg SS seat 30-300psi Cpr Tube Lq Gauge	4800-OACV	\$10,444.00
2-ZW209ATH	2" ZW209 Press Reduc Vlv Ang Body Fem NPT SS seat 15-150psi Cpr Tube	4800-OACV	\$8,615.00
2-ZW209ATHHP	2" ZW209 Press Reduc Vlv Ang Body Fem NPT SS seat 30-300psi Cpr Tube	4800-OACV	\$10,122.00
2-ZW209AY	2" ZW209 Press Reduc Vlv Ang Body ANSI 300 Flg SS seat 15-150psi Cpr Tube	4800-OACV	\$9,187.00
2-ZW209BPA	2" ZW209 Press Reduc Lo Flw Bypass Vlv Ang Body ANSI 150 Flg SS seat 15-150psi	4800-OACV	\$10,318.00
2-ZW209BPATHRV	2" ZW209 Press Reduc Lo Flw Bypass Vlv Ang Bdy Fem NPT SS seat 15-150psi Rev Pil	4800-OACV	\$10,318.00
2-ZW209BPC	2" ZW209 P-Reduc Lo Flw Bypass GIB Bdy w/Chk ANSI 150 Flg 15-150psi Pilot	4800-OACV	\$11,136.00
2-ZW209BPCA	2" ZW209 P-Reduc Lo Flw Bypass Vlv Ang Bdy w/Chk ANSI 150 Flg SS seat 15-150psi	4800-OACV	\$11,132.00
2-ZW209BPCGL	2" ZW209 P-Reduc Lo Flw Bypass GIB Bdy w/Chk ANSI 150 15-150psi, liq. Gauge	4800-OACV	\$11,472.00
2-ZW209BPCLTH	2" ZW209 Low Flow Bypass Vlv GIB Body w/Check Cls Spd Ctrl Fem NPT 15-120psi	4800-OACV	\$11,770.00
2-ZW209BPCLTHZGL	2.5" ZW209 LoFlw Bypass Vlv GIB Bdy w/chk Fem NPT 15-150psi Indctr 15-150psi LiqF	4800-OACV	\$13,121.00
2-ZW209BPCLTHZHPGL	2" PRV w/Bypass GIB Body w/Chk Cls Spd Ctrl Fem NPT Indctr 30-300psi Lq Gau	4800-OACV	\$14,042.00
2-ZW209BPCLYZ	2" P-Reduc Lo Flw Bypass GIB Bdy w/Chk Cls Spd Ctrl ANSI 300 Flg SS seat Indctr	4800-OACV	\$12,907.00
2-ZW209BPCRV	2" ZW209 P-Reduc Lo Flw Bypass GIB Bdy w/Chk ANSI 150 Flg 15-150psi Rev Pilot	4800-OACV	\$11,708.00
2-ZW209BPCTH	2" ZW209 P-Reduc Lo Flw Bypass Thd GIB Bdy w/Chk ANSI 150 Flg 15-150psi Pilot	4800-OACV	\$11,136.00
2-ZW209BPCTHGL	2" ZW209 P-Reduc Lo Flw Bypass Vlv GIB Body w/Check Fem NPT 15-150psi, liq. G	4800-OACV	\$11,455.00
2-ZW209BPCTHZRVGL	2" ZW209 P-Red Lo Flw Bypass Vlv GIB Bdy w/Chk Fem NPT 15-150psi Indctr liq Gge	4800-OACV	\$12,136.00
2-ZW209BPCZ	2" ZW209 P-Reduc Lo Flw Bypass Vlv GIB Body w/Chk ANSI 150 Flg Indctr 15-150psi	4800-OACV	\$12,816.00
2-ZW209BPDX	2" ZW209 Press Reduc Lo Flw Bypass Vlv GIB Body ANSI 150 Flg SS seat 15-150psi	4800-OACV	\$9,144.00
2-ZW209BPDXTH	2" ZW209 Press Reduc Lo Flw Bypass Vlv GIB Body Fem NPT SS seat 15-120psi	4800-OACV	\$9,144.00
2-ZW209BPGHP	2" ZW209 P-Reduc Lo Flw Bypass Vlv GIB Body IPS Grvd 30-300psi	4800-OACV	\$12,406.00
2-ZW209BPL	2" ZW209 P-Reduc Lo Flw Bypass Vlv GIB Body Cls Spd Ctrl ANSI 150 Flg 15-150psi	4800-OACV	\$10,777.00
2-ZW209BPLGL	2" ZW209 Pr Red Lo Flw Bypas Vlv GIB Bdy Cls Spd Ctrl ANSI 150 Flg Liq Gauge	4800-OACV	\$11,097.00
2-ZW209BPLP	2" ZW209 Press Reduc Lo Flw Bypass Vlv GIB Body ANSI 150 Flg SS seat 5-25psi	4800-OACV	\$10,998.00
2-ZW209BPLPRVGL	2" P-Reduc Lo Flw Bypass GIB Bdy ANSI 150 Flg SS seat Rev Pilot Liq Gage	4800-OACV	\$11,333.00
2-ZW209BPLTHZHP	2" ZW209 P-Red Lo Flw Bypas GIB Bdy Cls Spd Ctrl NPT Pos Ind Pilot 30-300psi	4800-OACV	\$12,901.00
2-ZW209BPLYSRVR	2" ZW209 PR Lo Flw Bypass Vlv GIB Bdy Cls Spd Ctrl ANSI 300 Flg 15-150psi SS Plt	4800-OACV	\$15,470.00
2-ZW209BPLYZHPGL	2" ZW209 P-Reduc Lo Flw Bypass Vlv GIB Bdy Cls Spd Ctrl ANSI 300 Flg Indctr 30-300 Lq	4800-OACV	\$12,665.00
2-ZW209BPRV	2" ZW209 Press Reduc Lo Flw Bypass Vlv GIB Body ANSI 150 Flg Rev Pilot	4800-OACV	\$10,318.00

2-ZW209BPRVGL	2" ZW209 Press Reduc Lo Flw Bypass Vlv GIB Body ANSI 150 Flg Rev Pilot Liq. Gag	4800-OACV	\$10,656.00
2-ZW209BPSPSH	2" ZW209 PR Lo Flw Bypass Vlv GIB Bdy ANSI 150 Flg SS seat 15-150psi SS Pilotry	4800-OACV	\$15,995.00
2-ZW209BPTHGL	2" ZW209 Press Reduc Lo Flw Bypass Vlv GIB Body Fem NPT 15-150psi Liq Fld Gauge	4800-OACV	\$10,656.00
2-ZW209BPTHHP	2" ZW209 P-Reduc Lo Flw Bypass GIB Body Fem NPT 15-150psi	4800-OACV	\$11,832.00
2-ZW209BPTHLP	2" ZW209 Press Reduc Lo Flw Bypass Vlv GIB Body Fem NPT SS seat 5-25psi Cpr Tube	4800-OACV	\$11,002.00
2-ZW209BPTHPLGL	2" ZW209 Press Reduc Lo Flw Bypass Vlv GIB Body Fem NPT SS seat 5-25psi Liq. Gua	4800-OACV	\$9,531.00
2-ZW209BPTHRVGL	2" ZW209 Press R Lo Flw Bypass Vlv GIB Body Fem NPT 15-150psi Rev Pitt Liq Gauge	4800-OACV	\$10,656.00
2-ZW209BPTHZ	2" ZW209 Press Reduc Lo Flw Bypass Vlv GIB Body Fem NPT SS seat Indctr 15-150psi	4800-OACV	\$10,066.00
2-ZW209BPVHP	2" Pr Reduc Lo Flw Bypass GIB Bdy ANSI 150 Flg SS seat Viton Rbr	4800-OACV	\$13,702.00
2-ZW209BPVHPGL	2" P-Reduc Lo Flw Bypass GIB Bdy ANSI 150 Flg SS seat Viton Rbr Liq Gage	4800-OACV	\$14,021.00
2-ZW209BPVYHP	2" ZW209 Press Reduc Lo Flw Bypass Vlv GIB Body ANSI 300 Flg SS seat 30-300psi	4800-OACV	\$12,405.00
2-ZW209BPVYHPGL	2" ZW209 P-Reduc Lo Flw Bypass GIB Bdy ANSI 300 Flg 30-300psi Liq Fld Gauge	4800-OACV	\$12,743.00
2-ZW209BPVYZHPRVGL	2" ZW209 P-Reduc Lo Flw Bypass GIB Bdy ANSI 300 Flg 30-300psi Rev Pilot Lq Gauge	4800-OACV	\$15,190.00
2-ZW209BPVYZHPSP	2" P-Reduc Lo Flw Bypass GIB Bdy ANSI 300 Flg SS Pilotry Viton Rbr Liq Gage Pos	4800-OACV	\$20,473.00
2-ZW209BT	2" PRV BSPT THRD	4800-OACV	\$8,615.00
2-ZW209C	2" ZW209 Press Reduc Vlv GIB Body w/Check ANSI 150 Flg SS seat 15-150psi	4800-OACV	\$11,329.00
2-ZW209CAGHPSH	2" ZW209 Press Reduc Vlv w/Check Ang Body IPS Grvd 30-300 psi SS Hose	4800-OACV	\$10,946.00
2-ZW209CAHP	2" ZW209 PRV GIB Body w/Check Ang Bdy ANSI 150 Flg SS seat 30-300 psi	4800-OACV	\$10,941.00
2-ZW209CATHHP	2" ZW209 PRV GIB Body w/Check Ang Bdy Fem NPT 30-300 psi	4800-OACV	\$10,941.00
2-ZW209CATHZRVGL	2" ZW209 PRV GIB Body w/Check Ang Bdy Fem NPT Indctr Rev Pilot Liq Gage 15-150psi	4800-OACV	\$10,508.00
2-ZW209CGL	2" ZW209 Press Reduc Vlv GIB Body ANSI 150 Flg SS seat 15-150psi Cpr Tube Liq. G	4800-OACV	\$11,667.00
2-ZW209CGRV	2" ZW209 Press Reduc Vlv GIB Body w/Check IPS Grvd SS seat 15-150psi Rev Pilot	4800-OACV	\$11,046.00
2-ZW209CHP	2" ZW209 Press Reduc Vlv GIB Body w/Check ANSI 150 Flg SS seat 30-300psi	4800-OACV	\$9,636.00
2-ZW209CLTHGL	2" ZW209 Press Reduc Vlv GIB Body w/Check Cls Spd Ctrl Fem NPT Liq Gage	4800-OACV	\$10,224.00
2-ZW209CLTHHP	2" ZW209 Press Reduc Vlv GIB Body w/Check Cls Spd Ctrl Fem NPT SS seat 30-300psi	4800-OACV	\$10,122.00
2-ZW209CLZ	2" ZW209 Press Reduc Vlv GIB Body w/Ck Cls Spd Ctrl ANSI 150 Flg 15-150psi Pos.	4800-OACV	\$10,623.00
2-ZW209CLZHPGL	2" ZW209 Pr Redu Vlv GIB Bdy ANSI 150 Flg w/Chk Cls Spd Ctrl SS seat 30-300psi	4800-OACV	\$12,481.00
2-ZW209CRV	2" PRV 150# FLNG W/CHECK & REV. PILOT	4800-OACV	\$9,426.00
2-ZW209CSP	2" ZW209 P.Red V GIB Bdy w/Check ANSI 150 Flg SS seat 15-150psi SSPilotry	4800-OACV	\$9,435.00
2-ZW209CTH	2" PRV THREADED W/CHECK	4800-OACV	\$9,426.00
2-ZW209CTHGL	2" ZW209 Press Reduc Vlv GIB Body w/Check Fem NPT SS seat 15-150psi Liq Gage	4800-OACV	\$9,763.00
2-ZW209CTHRV	2" ZW209 Press Reduc Vlv GIB Body w/Check Fem NPT SS seat 15-150psi Rev Pilot	4800-OACV	\$9,426.00
2-ZW209CY	2" ZW209 Press Reduc Vlv GIB Body w/Check ANSI 300 Flg SS seat 15-120psi	4800-OACV	\$10,302.00
2-ZW209CYHP	2" ZW209 Press Reduc Vlv GIB Body w/Check ANSI 300 Flg SS seat 30-300psi	4800-OACV	\$10,897.00
2-ZW209CYRV	2" ZW209 Press Reduc Vlv GIB Body w/Check ANSI 300 Flg 15-150psi Rev Pilot	4800-OACV	\$9,995.00
2-ZW209CYVHP	2" ZW209 Press Reduc Vlv GIB Body w/Chk ANSI 300 Flg SS seat Viton Rbr 30-300psi	4800-OACV	\$12,634.00
2-ZW209CYZ	2" ZW209 Press Reduc Vlv GIB Body w/Check ANSI 300 Flg SS seat Indctr 15-150psi	4800-OACV	\$11,422.00
2-ZW209CYZSP	2" ZW209 Pr Red Vlv GIB Bdy w/Check ANSI 300 Flg Pstn Indctr 15-120psi SS Pilot	4800-OACV	\$15,636.00
2-ZW209CZ	2" ZW209 Press Reduc Vlv GIB Body w/Check ANSI 150 Flg SS seat Indctr 15-150psi	4800-OACV	\$11,104.00
2-ZW209CZSP	2" ZW209 P.Red V GIB Bdy w/Check ANSI 150 Flg Indctr SS seat 15-150psi SSPilotry	4800-OACV	\$15,637.00
2-ZW209ECNC	2" ZW209 P-Reduc w/Sind Vlv GIB Body w/Check ANSI 150 Flg 15-150psi NrmCisd 120v	4800-OACV	\$11,263.00
2-ZW209EG24DCNC	2" ZW209 Press Reduc w/Sind Vlv GIB Body Grv SS seat 15-150psi NrmCisd 24vac DC	4800-OACV	\$14,252.00
2-ZW209EGNS	2" ZW209 Prs Rdc w/Sld Vlv GIB Bdy ANSI Grv - NS sub assembly do not enter on SO	4800-OACV	\$10,453.00
2-ZW209ENC	2" ZW209 Press Reduc w/Sind Vlv GIB Body SS seat 15-150psi NrmCisd 120vac	4800-OACV	\$10,456.00
2-ZW209ENCSCO	2" ZW209 Press Reduc w/Sind Vlv GIB Body SS seat 15-150psi NrmCisd 24vac Lt Swth	4800-OACV	\$14,563.00
2-ZW209ENEO	2" ZW209 Press Reduc w/Sind Vlv GIB Body SS seat 15-120psi NrmOpn 120vac	4800-OACV	\$10,456.00
2-ZW209ENEO-PILOT	PILOT ASSY. COMPLETE, ZW209ENEO	4800-OACV	\$6,220.00
2-ZW209ETH24NC	2" ZW209 Press Reduc w/Sind Vlv GIB Body Fem NPT SS seat 15-150psi NrmCisd 24vac	4800-OACV	\$10,456.00
2-ZW209ETHNO	2" ZW209 Press Reduc w/Sind Vlv GIB Body Fem NPT SS seat 15-150psi NrmOpn 120v	4800-OACV	\$10,456.00
2-ZW209EX	2" ZW209 Press Reduc Vlv GIB Body ANSI 150 Flg SS seat 15-150psi Cpr Tube	4800-OACV	\$7,434.00
2-ZW209EXBT	2" ZW209 Press Reduc Vlv GIB Body Fem BSPT SS seat 15-150psi Cpr Tube	4800-OACV	\$6,351.00
2-ZW209EXGHP	2" ZW209 Press Reduc Vlv GIB Body IPS Grvd SS seat 30-300psi Cpr Tube	4800-OACV	\$11,959.00

2-ZW209EXHP	2" ZW209 Press Reduc Vlv Glb Body ANSI 150 Flg SS seat 30-300psi Cpr Tube	4800-OACV	\$11,959.00
2-ZW209EXTH	2" ZW209 Press Reduc Vlv Glb Body Fem NPT SS seat 15-150psi Cpr Tube	4800-OACV	\$10,048.00
2-ZW209EXTHHP SH	2" ZW209 Press Reduc Vlv Glb Body Fem NPT SS seat 30-300psi SS Hose	4800-OACV	\$11,557.00
2-ZW209FPCG	2" ZW209 Press Reduc Fire Vlv Glb Body w/Check IPS Grvd SS seat 15-150psi	4800-OACV	\$9,680.00
2-ZW209FPCGHP	2" ZW209 Press Reduc Fire Vlv Glb Body w/Check IPS Grvd SS seat 30-300psi	4800-OACV	\$8,892.00
2-ZW209FPCGZ	2" ZW209 P-Reduc Fire Vlv Glb Body w/Check IPS Grvd Indctr 15-150psi	4800-OACV	\$7,075.00
2-ZW209FPCGZRV	2" ZW209 P-Reduc Fire Vlv Glb Body w/Check IPS Grvd Indctr 15-150psi Rev Pilot	4800-OACV	\$7,359.00
2-ZW209FPGHPRV	2" ZW209 Press Reduc Fire Vlv Glb Body IPS Grvd SS seat 30-300psi Cpr Tube Rev.	4800-OACV	\$10,404.00
2-ZW209FPGRV	2" ZW209 Press Reduc Fire Vlv Glb Body IPS Grvd SS seat 50-165psi Rev Pilot	4800-OACV	\$8,290.00
2-ZW209FPGST	2" ZW209 Press Reduc Fire Vlv Glb Body IPS Grvd SS Seat 50-165psi ST Tube	4800-OACV	\$9,574.00
2-ZW209FPGZ	2" ZW209 Press Reduc Fire Vlv Glb Body IPS Grvd SS seat Indctr 15-150psi	4800-OACV	\$9,040.00
2-ZW209FPPN16	2" ZW209 Press Reduc Fire Vlv Glb Body ISO PN16 Flg SS seat 15-150psi Cpr Tube	4800-OACV	\$8,892.00
2-ZW209FPTHVR	2" ZW209 Press Reduc Fire Vlv Glb Body Fem NPT SS seat 15-150psi Rev Pilot	4800-OACV	\$8,315.00
2-ZW209FPXHP	2" ZW209 Press Reduc Fire Vlv Glb Body ANSI 150 Flg SS seat 30-300psi Cpr Tube	4800-OACV	\$9,803.00
2-ZW209FPKSP	2" ZW209 Press Reduc Fire Vlv Glb Body ANSI 150 Flg SS seat 15-150psi SS Pilot	4800-OACV	\$13,291.00
2-ZW209FPYHP	2" ZW209 Press Reduc Fire Vlv Glb Body ANSI 300 Flg SS seat 30-300psi Cpr Tube	4800-OACV	\$9,455.00
2-ZW209G	Pressure Reducing Valve, 300#, Grooved x Grooved	4800-OACV	\$8,615.00
2-ZW209GHP	2" PRV GROOVED, HIGH PRESSURE	4800-OACV	\$10,450.00
2-ZW209GHPRV	2" PRV GROOVED, HIGH PRESSURE REV.	4800-OACV	\$10,450.00
2-ZW209GHPSP	2" ZW209 Pr Red Vlv Glb Body IPS Grvd SS seat 30-300psi SS Pilotry Liq. Fild Gau	4800-OACV	\$15,632.00
2-ZW209GL	2" ZW209 Press Reduc Vlv Glb Body ANSI 150 Flg SS seat 15-150psi Liq Fild Gauge	4800-OACV	\$8,969.00
2-ZW209GZ	2" ZW209 Press Reduc Vlv Glb Body IPS Grvd SS seat 15-150psi Pos Indctr Cpr Tube	4800-OACV	\$9,023.00
2-ZW209H	Pressure Reducing Valve / Pressure Sustaining Function, Class 150, Flanged x Flanged	4800-OACV	\$10,188.00
2-ZW209HGL	2" ZW209 Press Reduc Prss Sust Vlv Glb Body ANSI 150 Flg SS seat Cpr Tube Liq Fl	4800-OACV	\$9,723.00
2-ZW209HHPLP	2" ZW209 Press Reduc Prss Sust Vlv Glb Body ANSI 150 Flg SS seat Cpr Tube	4800-OACV	\$12,377.00
2-ZW209HHPS	2" ZW209 Press Reduc Prss Sust Vlv Glb Body ANSI 150 Flg 30-300psi, 50-200psi	4800-OACV	\$12,377.00
2-ZW209HLSLPRV	2" ZW209 Press Reduc Prss Sust V Glb Bdy ClsSpdCtrl ANSI 150 Flg SS seat RevPit	4800-OACV	\$10,887.00
2-ZW209HP	2" PRV 150# FLNG, HI PRESS PILOT	4800-OACV	\$9,308.00
2-ZW209HPGL	2" ZW209 Press Reduc Vlv Glb Body ANSI 150 Flg SS seat 30-300psi Liq Fild Gauge	4800-OACV	\$10,461.00
2-ZW209HP-PILOT	Pilot Assembly Complete, 2-ZW209HP	4800-OACV	\$7,007.00
2-ZW209HPRV	2" ZW209 Press Reduc Vlv Glb Body ANSI 150 Flg SS seat 30-300psi Rev Pilot	4800-OACV	\$10,122.00
2-ZW209HRV	2" ZW209 Press Reduc Prss Sust Vlv Glb Body ANSI 150 Flg SS seat Rev Pilot	4800-OACV	\$10,188.00
2-ZW209HSLP	2" ZW209 Press Reduc Prss Sust Vlv Glb Body ANSI 150 Flg SS seat Cpr Tube	4800-OACV	\$12,487.00
2-ZW209HSLPGL	2" ZW209 Press Reduc Prss Sust Vlv Glb Body ANSI 150 Flg SS seat Cpr Tube Liq Fl	4800-OACV	\$11,213.00
2-ZW209HSH	2" ZW209 Press Reduc Prss Sust Vlv Glb Body Fem NPT SS seat Cpr Tube	4800-OACV	\$10,188.00
2-ZW209HSHGL	2" ZW209 Press Reduc Prss Sust Vlv Glb Body Fem NPT Brz seat Liq Fl Gge	4800-OACV	\$10,507.00
2-ZW209HSHSLP	2" ZW209 Press Reduc Prss Sust Vlv Glb Body Fem NPT SS seat Cpr Tube	4800-OACV	\$12,490.00
2-ZW209HSHSLP2	2" ZW209 Press Reduc Prss Sust Vlv Glb Body Fem NPT SS seat Cpr Tube	4800-OACV	\$12,490.00
2-ZW209L	2" ZW209 Press Reduc Vlv Glb Body Cls Spd Ctrl ANSI 150 Flg SS seat 15-150psi	4800-OACV	\$9,068.00
2-ZW209LGL	2" ZW209 Pr Red Vlv Glb Bdy Cls Spd Ctrl ANSI 150 Flg SS seat 15-120psi Liq Gage	4800-OACV	\$9,026.00
2-ZW209LHPSH	2" ZW209 Press Redu Vlv Glb Body ANSI 150 Flg Cls Spd Ctrl SS seat 30-300psi	4800-OACV	\$9,686.00
2-ZW209LHPSHGL	2" ZW209 Press Redu Vlv Glb Body ANSI 150 Flg Cls Spd Ctrl SS seat 30-300psi Liq	4800-OACV	\$9,497.00
2-ZW209LP	2" ZW209 Press Reduc Prss Sust V Glb Body ANSI 150 Flg SS seat 5-25psi Cpr Tube	4800-OACV	\$9,291.00
2-ZW209LPSPRV	2" ZW209 Pr Rdc Vlv Glb Bdy ANSI 150 Flg SS seat 5-25psi SS Pilotry Rev Pilot	4800-OACV	\$14,908.00
2-ZW209LSP	2" ZW209 Press Reduc Vlv Glb Body Cls Spd Ctrl ANSI 150 Flg SS seat 15-150psi	4800-OACV	\$15,107.00
2-ZW209LTH	2" ZW209 Press Reduc Vlv Glb Body Cls Spd Ctrl Fem NPT SS seat 15-150psi	4800-OACV	\$8,615.00
2-ZW209LTHHP	2" ZW209 Press Reduc Vlv Glb Body Cls Spd Ctrl Fem NPT SS seat 30-300psi	4800-OACV	\$10,122.00
2-ZW209LTHPSH	2" ZW209 Press Redu Vlv Glb Body Cls Spd Ctrl ANSI 300 Flg SS seat 30-300psi	4800-OACV	\$9,177.00
2-ZW209-PILOT	PILOT ASSY. COMPLETE, ZW209	4800-OACV	\$2,225.00
2-ZW209PN16	2" ZW209 Press Reduc Vlv Glb Body ISO PN16 Flg SS seat 15-150psi Cpr Tube	4800-OACV	\$8,615.00
2-ZW209PN16HP	2" PRV ISO PN16 FLNG, HI PRESS PILOT	4800-OACV	\$8,999.00
2-ZW209Q	Pressure Reducing Valve / Surge Control, Class 150, Flanged x Flanged	4800-OACV	\$11,597.00
2-ZW209QCVHPGL	2" ZW209 Press Reduc w/Surge Vlv Glb Body w/Chk SS seat 30-300psi Cpr Tube Liq Ga	4800-OACV	\$16,128.00
2-ZW209QTH	2" ZW209 Press Reduc w/Surge Vlv Glb Body Fem NPT SS seat 15-150psi	4800-OACV	\$11,597.00

2-ZW209QTHSHRV	2" ZW209 Pre Reduc w/Surge Vlv Glb Body Fem NPT SS seat 15-120psi SS Hoses Rev	4800-OACV	\$11,597.00
2-ZW209RV	2" ZW209 Press Reduc Vlv Glb Body ANSI 150 Flg SS seat 15-150psi Rev Pilot	4800-OACV	\$8,615.00
2-ZW209RVGL	2" ZW209 P-Reduc Vlv Glb Body ANSI 150 Flg 15-150psi Rev Pilot Liq Fild Gauge	4800-OACV	\$8,935.00
2-ZW209SD	2" ZW209 Press Reduc Vlv Glb Body ANSI 150 Flg SS seat 15-150psi w/ Limit Swt Du	4800-OACV	\$16,316.00
2-ZW209SH	2" ZW209 Press Reduc Vlv Glb Body ANSI 150 Flg SS seat 15-150psi SS Hose	4800-OACV	\$8,615.00
2-ZW209SH-PILOT	Pilot Assy Complete, ZW209SH	4800-OACV	\$6,395.00
2-ZW209SHRV-PILOT	Pilot Assy Complete Reverse, ZW209SH	4800-OACV	\$6,395.00
2-ZW209SO	2" ZW209 Press Reduc Vlv Glb Body ANSI 150 Flg SS seat 15-150psi w/ Limit Swt Op	4800-OACV	\$12,721.00
2-ZW209SP	2" ZW209 Press Reduc Vlv Glb Body ANSI 150 Flg SS seat 15-150psi SS Pilotry	4800-OACV	\$14,641.00
2-ZW209SP-PILOT	Pilot Assy. Complete stainless steel ZW209	4800-OACV	\$7,691.00
2-ZW209SPRV	2" ZW209 Pr Rdc Vlv Glb Bdy ANSI 150 Flg SS seat 15-120psi SS Pilotry Rev Pilot	4800-OACV	\$14,641.00
2-ZW209SPSH	2" ZW209 Press Red Vlv Glb Bdy ANSI 150 Flg SS seat 15-150psi SS Pilotry SS Hos	4800-OACV	\$14,121.00
2-ZW209TH	Pressure Reducing Valve, 400#, FNPT x FNPT	4800-OACV	\$8,615.00
2-ZW209THGL	2" PRV THREADED W/LIQ GAUGES	4800-OACV	\$8,969.00
2-ZW209THHP	2" PRV THREADED, HIGH PRESSURE	4800-OACV	\$8,615.00
2-ZW209THHPRV	2" ZW209 Press Reduc Vlv Glb Body Fem NPT SS seat 30-300psi Cpr Tube Rev Pilot	4800-OACV	\$10,122.00
2-ZW209THHPS	2" ZW209 Press Reduc Vlv Glb Body Fem NPT SS seat 30-300psi SS Pilotry	4800-OACV	\$15,581.00
2-ZW209THLP	2" ZW209 Press Reduc Vlv Glb Body Fem NPT SS seat 5-25psi Cpr Tube	4800-OACV	\$9,291.00
2-ZW209THRV	2" PRV THREADED W/ REVERSE PILOT	4800-OACV	\$8,615.00
2-ZW209THSCGL	2" ZW209 Pr Redu Vlv Glb Bdy Fem NPT SS seat 15-120psi Limit Swtch Liq Fild Gauge	4800-OACV	\$12,806.00
2-ZW209THSCHPLG	2" ZW209 Pr Redu Vlv Glb Bdy Fem NPT Limit Swtch SS seat 30-300psi Liq Fild Gauge	4800-OACV	\$12,773.00
2-ZW209THSH	2" ZW209 Press Reduc Vlv Glb Body Fem NPT SS seat 15-150psi SS Hoses	4800-OACV	\$8,615.00
2-ZW209THSP	2" ZW209 Press Reduc Vlv Glb Body Fem NPT SS seat 15-150psi SS Pilotry	4800-OACV	\$14,641.00
2-ZW209THZ	2" PRV W/ POS. INDICATOR, THREADED	4800-OACV	\$9,360.00
2-ZW209THZGL	2" ZW209 Press Reduc Vlv Glb Body Fem NPT Indctr 15-150psi Cpr Tube Liq. Gauge	4800-OACV	\$9,695.00
2-ZW209THZLSP	2" ZW209 Press Reduc Vlv Glb Body Fem NPT SS seat 5-25psi SS Pilotry Pos. Ind.	4800-OACV	\$15,552.00
2-ZW209VHP	2" ZW209 Press Reduc Vlv Glb Body ANSI 150 Flg SS seat Viton Rbr 30-300psi	4800-OACV	\$10,489.00
2-ZW209VHPGL	2" ZW209 P-Reduc Vlv Glb Body ANSI 150 Flg Viton Rbr 30-300psi Liq Fild Gauge	4800-OACV	\$12,312.00
2-ZW209VHPRVGL	2" P-Reduc Glb Bdy ANSI 150 Flg SS seat Viton Rbr Rev Pilot Liq Gage	4800-OACV	\$12,312.00
2-ZW209Y	Pressure Reducing Valve, 300#, Flange x Flange	4800-OACV	\$9,188.00
2-ZW209YGL	2" ZW209 Press Reduc Vlv Glb Body ANSI 300 Flg SS seat 15-150psi Liq Fild Gauge	4800-OACV	\$9,527.00
2-ZW209YHP	2" ZW209 Press Reduc Vlv Glb Body ANSI 300 Flg SS seat 30-300psi Cpr Tube	4800-OACV	\$10,699.00
2-ZW209YHPGL	2" ZW209 Press Red V Glb Bdy ANSI 300 Flg SS seat 30-300psi Cpr Tube Liq Fl	4800-OACV	\$11,040.00
2-ZW209YHPRV	2" ZW209 Press Reduc Vlv Glb Body ANSI 300 Flg SS seat 30-300psi Cpr Tube Rev.	4800-OACV	\$10,701.00
2-ZW209YHPRVGL	2" ZW209 Press Red V Glb Bdy ANSI 300 Flg SS seat 30-300psi Cpr Tube Rev.Liq Fl	4800-OACV	\$11,038.00
2-ZW209YVHP	2" ZW209 Press Reduc Vlv Glb Body ANSI 300 Flg SS seat 30-300psi Cpr Viton Rubbe	4800-OACV	\$12,556.00
2-ZW209YVHPGL	2" ZW209 Prs Rdc Vlv Glb Bdy ANSI 300 Flg SS seat 30-300psi Cpr Vtn Rbr Liq Gauge	4800-OACV	\$12,891.00
2-ZW209YVHPSP	2" ZW209 Press Reduc Vlv Glb Body ANSI 300 Flg SS seat 30-300psi SS Pil Cpr Vito	4800-OACV	\$15,833.00
2-ZW209YZHPSP	2" ZW209 Pre Redu Vlv Glb Bdy ANSI 300 Flg Pst Ind SS seat 30-300psi SS Pilotry	4800-OACV	\$15,970.00
2-ZW209Z	2" ZW209 Press Reduc Vlv Glb Body ANSI 150 Flg SS seat Indctr 15-150psi Cpr Tube	4800-OACV	\$9,373.00
2-ZW209ZGL	2" ZW209 Pr Red Vlv Glb Bdy ANSI 150 Flg SS seat Indctr 15-120psi Liq Flid Gauge	4800-OACV	\$9,692.00
2-ZW209ZRVGL	2" ZW209 P-Reduc Vlv Glb Body ANSI 150 Flg Indctr 15-120psi Rev Pilot Liq Fild G	4800-OACV	\$9,645.00
2-ZW209ZSP	2" ZW209 Press Reduc Vlv Glb Body ANSI 150 Flg Indctr SS seat 15-150psi SS Pilot	4800-OACV	\$16,478.00
32-ZW209BT	DN32 ZW209 Press Reduc Vlv Glb Body Fem BSPT SS seat 15-150psi Cpr Tube	4800-OACV	\$7,067.00
3-ZW209	Pressure Reducing Valve, 150#, Flange x Flange	4800-OACV	\$9,231.00
3-ZW209A	3" ZW209 Press Reduc Vlv Ang Body ANSI 150 Flg SS Seat Cpr Tube	4800-OACV	\$9,231.00
3-ZW209AGL	3" ZW209 Press Reduc Vlv Ang Body ANSI 150 Flg SS Seat Cpr Tube. Liq Fild Gauge	4800-OACV	\$9,567.00
3-ZW209AHP	3" ZW209 Press Reduc Vlv Ang Body ANSI 150 Flg SS Seat 30-300psi Cpr Tube	4800-OACV	\$9,433.00
3-ZW209ATH	3" ZW209 Press Reduc Vlv Ang Body Fem NPT SS Seat Cpr Tube	4800-OACV	\$8,959.00
3-ZW209BPA	3" ZW209 Press Reduc Lo Flw Bypass Vlv Ang Body ANSI 150 Flg SS seat 15-150psi	4800-OACV	\$12,136.00
3-ZW209BPC	3" ZW209 Press Reduc Lo Flw Bypass Vlv Glb Body w/ Check ANSI 150 Flg 15-150psi	4800-OACV	\$12,940.00
3-ZW209BPCGL	3" P-Reduc Lo Flw Bypass Glb Bdy w/Chk ANSI 150 Flg SS seat Liq Gage	4800-OACV	\$13,283.00
3-ZW209BPCHPGL	3" P-Reduc Lo Flw Bypass Glb Bdy w/Chk ANSI 150 Flg SS seat Liq Gage	4800-OACV	\$11,393.00
3-ZW209BPLHPGL	P-Reduc Lo Flw Bypass Glb Bdy w/Chk Cls Spd Ctrl ANSI 150 Flg SS seat Liq Gage	4800-OACV	\$13,686.00
3-ZW209BPLZHPGL	PRV Flw Bypass Glb Bdy w/Chk Cls Spd Ctrl ANSI 150 Flg Indctr 15-150psi Liq Gag	4800-OACV	\$14,504.00

3-ZW209BPCRV	3" ZW209 P-Reduc Lo Flw Bypass Glb Bdy w/Chk ANSI 150 Flg 15-150psi Rev Pilot	4800-OACV	\$12,940.00
3-ZW209BPCRVGL	3" ZW209 Pr Red LoFlw Bypa Glb Bdy w/Chk ANSI 150Flg 15-120psi Rev Pil Liq Gauge	4800-OACV	\$13,259.00
3-ZW209BPCY	3" ZW209 Press Reduc Lo Flw Bypass Vlv Glb Body w/ Check ANSI 300 Flg 15-150psi	4800-OACV	\$14,400.00
3-ZW209BPCYZ	3" ZW209 P-Reduc Lo Flw Bypass Vlv Glb Body w/Chk ANSI 300 Flg Indctr 15-150psi	4800-OACV	\$15,143.00
3-ZW209BPCZ	3" ZW209 P-Reduc Lo Flw Bypass Vlv Glb Body w/Chk ANSI 150 Flg Indctr 15-150psi	4800-OACV	\$13,723.00
3-ZW209BPDX	3" ZW209 Press Reduc Lo Flw Bypass Vlv Glb Body ANSI 150 Flg SS seat 15-150psi	4800-OACV	\$10,788.00
3-ZW209BPDXL	3" ZW209 P-Reduc Lo Flw Bypass Vlv Glb Body Cls Spd Ctrl ANSI 150 Flg 15-150psi	4800-OACV	\$11,240.00
3-ZW209BPDXY	3" ZW209 Press Reduc Lo Flw Bypass Vlv Glb Body ANSI 300 Flg SS seat 15-150psi	4800-OACV	\$13,582.00
3-ZW209BPGHGL	3" ZW209 P-Reduc Lo Flw Bypass Vlv Glb Body IPS Grvd 30-300psi Liq Fld Gauge	4800-OACV	\$13,979.00
3-ZW209BPGRV	4" ZW209 Press Reduc Vlv Glb Body ANSI 150 Flg SS seat 15-150psi Cpr Tube Rev	4800-OACV	\$12,136.00
3-ZW209BPHP	3" ZW209 Press Reduc Lo Flw Bypass Vlv Glb Body ANSI 150 Flg SS seat 30-300psi	4800-OACV	\$13,642.00
3-ZW209BPHGL	3" ZW209 P-Reduc Lo Flw Bypass Glb Bdy ANSI 150 Flg 30-300psi Liq Fld Gauge	4800-OACV	\$13,979.00
3-ZW209BPHPS	3" ZW209 Press Reduc Lo Flw Bypass Vlv Glb Body ANSI 150 Flg SS Seat 30-300 psi	4800-OACV	\$20,785.00
3-ZW209BPL	3" ZW209 P-Reduc Lo Flw Bypass Vlv Glb Body Cls Spd Ctrl ANSI 150 Flg 15-150psi	4800-OACV	\$12,583.00
3-ZW209BPLP	3" ZW209 Press Reduc Lo Flw Bypass Vlv Glb Body ANSI 150 Flg SS seat 5-25psi	4800-OACV	\$12,808.00
3-ZW209BPLR	3" Press Reduc Low Flow Bypass Vlv Glb Body Reduc Port ANSI 150 Flg Cls Spd Ctrl	4800-OACV	\$12,002.00
3-ZW209BPLVHP	3" ZW209 P-Reduc Lo Flw Bypass Vlv Glb Bdy Cls Spd Ctrl ANSI 150 Flg 30-300psi V	4800-OACV	\$16,817.00
3-ZW209BPR	3" Press Reduc Low Flow Bypass Vlv Glb Body Reduc Port ANSI 150 Flg	4800-OACV	\$12,136.00
3-ZW209BPRGL	3" Press Reduc Low Flow Bypass Vlv Glb Body Reduc Port ANSI 150 Flg Liq Fld Gau	4800-OACV	\$11,890.00
3-ZW209BPRHP	3" ZW209 Press Reduc Lo Flw Bypass Reduc Port ANSI 150 Flg 30-300psi	4800-OACV	\$13,093.00
3-ZW209BPRLPG	3" ZW209 Press Reduc Lo Flw Bypass Reduc Port ANSI 150 Flg 5-25psi Liq Fld Gauge	4800-OACV	\$12,581.00
3-ZW209BPRRV	3" ZW209 Press Reduc Lo Flw Bypass Vlv Glb Body Red Prt ANSI 150 Flg Rev Pil	4800-OACV	\$12,136.00
3-ZW209BPRV	3" ZW209 Press Reduc Lo Flw Bypass Vlv Glb Body ANSI 150 Flg Rev Pilot	4800-OACV	\$12,136.00
3-ZW209BPRVHP	3" ZW209 PR Lo Flw Bypass Glb Bdy Reduc Por ANSI 150 Flg Vitor Rbr 30-300psi	4800-OACV	\$16,363.00
3-ZW209BPRZGL	3" Press Reduc Low Flw Bypass Vlv Glb Bdy Reduc Port ANSI 150 Flg Pos.Ind Liq Gau	4800-OACV	\$12,944.00
3-ZW209BPSH	3" ZW209 Press Reduc Lo Flw Bypass Vlv Glb Body ANSI 150 Flg SS seat 15-150psi	4800-OACV	\$12,299.00
3-ZW209BPSP	3" ZW209 Press Reduc Lo Flw Bypass Vlv Glb Bdy ANSI 150 Flg 15-120psi SS Pilotry	4800-OACV	\$17,145.00
3-ZW209BPPTH	3" ZW209 Press Reduc Lo Flw Bypass Vlv Glb Body Fem NPT SS seat 15-150psi	4800-OACV	\$12,136.00
3-ZW209BPPTHGL	3" ZW209 Press Reduc Lo Flw Bypass Vlv Glb Body Fem NPT 15-150psi Liq Fld Gauge	4800-OACV	\$12,465.00
3-ZW209BPVHP	3" P-Reduc Lo Flw Bypass Glb Bdy ANSI 150 Flg SS seat 30-300psi Vitor Rbr	4800-OACV	\$16,362.00
3-ZW209BPVHPGL	3" P-Reduc Lo Flw Bypass Glb Bdy ANSI 150 Flg SS seat Vitor Rbr Liq Gauge	4800-OACV	\$16,685.00
3-ZW209BPYHP	3" ZW209 Press Reduc Lo Flw Bypass Vlv Glb Body ANSI 300 Flg SS seat 30-300psi	4800-OACV	\$15,088.00
3-ZW209BPYHPGL	3" ZW209 P-Reduc Lo Flw Bypass Glb Bdy ANSI 300 Flg 30-300psi Liq Fld Gauge	4800-OACV	\$15,424.00
3-ZW209BPYRV	3" ZW209 Press Reduc Lo Flw Bypass Vlv Glb Body ANSI 300 Flg SS seat Rev Pilot	4800-OACV	\$13,582.00
3-ZW209BPYRVGL	3" ZW209 P-Reduc Lo Flw Bypass Glb Bdy ANSI 300 Flg 15-150psi Rev Pilot Liq Gauge	4800-OACV	\$13,918.00
3-ZW209BPYVHP	3" P-Reduc Lo Flw Bypass Glb Bdy ANSI 300 Flg SS seat 30-300psi Vitor Rbr	4800-OACV	\$17,806.00
3-ZW209BPYVHPGL	3" P-Reduc Lo Flw Bypass Glb Bdy ANSI 300 Flg SS seat Vitor Rbr Liq Gauge	4800-OACV	\$18,139.00
3-ZW209BPYVZHPSP	3" P-Reduc Lo Flw Bypass Glb Bdy ANSI 300 Flg SS Pilotry Vitor Rbr Liq Gauge Pos	4800-OACV	\$24,318.00
3-ZW209BPZ	3" ZW209 Press Reduc Lo Flw Bypass Vlv Glb Body ANSI 150 Flg Indctr 15-150psi	4800-OACV	\$13,183.00
3-ZW209BPZGL	3" P-Reduc Lo Flw Bypass Glb Bdy ANSI 150 Flg SS seat Indctr Liq Gauge	4800-OACV	\$13,247.00
3-ZW209BPZHPGL	3" ZW209 P-Reduc Lo Flw Bypass Glb Bdy ANSI 150 Flg Indctr 30-300psi Liq Fld Ga	4800-OACV	\$15,034.00
3-ZW209BSE	3" PRV BS10 TABLE E	4800-OACV	\$8,880.00
3-ZW209C	3" ZW209 Press Reduc Vlv Glb Body w/Check ANSI 150 Flg SS seat 15-150psi	4800-OACV	\$10,040.00
3-ZW209CAYZHPGL	3" ZW209 PRV Glb Body w/Check Ang Bdy ANSI 300 Flg Indctr SS seat 30-300psi Liq G	4800-OACV	\$14,116.00
3-ZW209CAYZHPRVGL	3" ZW209 PRV Glb Body w/Check Ang Bdy ANSI 300 Flg Indctr Rev Pilot Liq Gauge 15-1	4800-OACV	\$14,116.00
3-ZW209CG	3" ZW209 Press Reduc Vlv Glb Body w/Check IPS Grvd SS seat 15-150psi Cpr Tube	4800-OACV	\$10,040.00
3-ZW209CGL	3" ZW209 Press Reduc Vlv Glb Body w/Check ANSI 150 Flg 15-150psi Liq Fld Gauge	4800-OACV	\$10,130.00
3-ZW209CHP	3" ZW209 Press Reduc Vlv Glb Body w/Check ANSI 150 Flg SS seat 30-300psi	4800-OACV	\$10,251.00
3-ZW209CL	3" ZW209 PRV Glb Body w/Chk Cls Spd ANSI 150 Flg SS seat 15-150psi Cpr Tube	4800-OACV	\$9,538.00
3-ZW209CLA	3" ZW209 Press Reduc Vlv w/Check Ang Body ANSI 150 Flg SS seat 15-150psi Cpr T	4800-OACV	\$10,491.00
3-ZW209CLGL	3" ZW209 PRV Glb Body w/Chk Cls Spd ANSI 150 Flg 15-150psi Liq. Gauge	4800-OACV	\$10,835.00

3-ZW209CLHP	3" ZW209 PRV Glb Body w/Chk Cls Spd ANSI 150 Flg SS seat 30-300psi Cpr Tube	4800-OACV	\$12,000.00
3-ZW209CLHPGL	3" ZW209 PRV Glb Bdy w/Chk Cls Spd ANSI 150 Flg SS seat 30-300psi Liq Fld Gage	4800-OACV	\$12,308.00
3-ZW209CLYHP	3" ZW209 PRV Glb Body w/Check Clsd Spd Ctrl ANSI 300 Flg SS seat 30-300psi	4800-OACV	\$13,461.00
3-ZW209CLYHPGL	3" ZW209 PRV Glb Body w/Chk Cls Spd ANSI 300 Flg SS seat 30-300psi	4800-OACV	\$13,782.00
3-ZW209CLYZ	3" ZW209 P-Reduc Vlv Glb Body w/Chk Cls Spd Ctrl ANSI 300 Flg Indctr 15-150psi	4800-OACV	\$12,720.00
3-ZW209CLYZHPGL	3" ZW209 PRV Glb Body w/Chk Cls Spd ANSI 300 Flg SS seat 30-300psi Indctr Liq	4800-OACV	\$14,843.00
3-ZW209CLZ	3" ZW209 PRV Glb Body w/Chk Cls Spd ANSI 150 Flg 15-120psi Pstn Ind	4800-OACV	\$11,558.00
3-ZW209CLZGL	3" ZW209 PRV Glb Body w/Chk Cls Spd ANSI 150 Flg 15-150psi Pos. Ind. Liq. Gaug	4800-OACV	\$11,878.00
3-ZW209CLZHPGL	3" ZW209 PRV Glb Body w/Chk Cls Spd ANSI 150 Flg SS seat 30-300psi Indctr Liq	4800-OACV	\$14,226.00
3-ZW209CR	3" Pr Reduc Reduc Port Body ANSI 150 Flg SS seat 15-120psi w/Check	4800-OACV	\$9,476.00
3-ZW209CRGL	3" Press Reduc Reduc Port ANSI 150 Flg w/ Check Liq Gauges	4800-OACV	\$9,797.00
3-ZW209CRHPGL	3" ZW209 Press Reduc Vlv Glb Body w/Check Reduc Port 30-300psi Liq Fld Gauge	4800-OACV	\$11,255.00
3-ZW209CRV	3" ZW209 Press Reduc Vlv Glb Body w/Check ANSI 150 Flg SS seat 15-150psi Rev Pil	4800-OACV	\$10,045.00
3-ZW209CRVGL	3" ZW209 Press Reduc Vlv Glb Body w/Check ANSI 150 Flg 15-150psi Liq Fld Gauge	4800-OACV	\$9,434.00
3-ZW209CSO	3" ZW209 Press Redu Vlv Glb Bdy w/Chk ANSI 150 Flg SS seat 15-150psi w/Lmt Swt Op	4800-OACV	\$14,154.00
3-ZW209CY	3" ZW209 Press Reduc Vlv Glb Body w/Check ANSI 300 Flg SS seat 15-150psi	4800-OACV	\$11,485.00
3-ZW209CYHP	3" ZW209 Press Reduc Vlv Glb Body w/Check ANSI 300 Flg SS seat 30-300psi	4800-OACV	\$11,394.00
3-ZW209CYZ	3" PRV 300# FLNG. W/CHECK & POSITION INDICATOR	4800-OACV	\$12,268.00
3-ZW209CZ	3" ZW209 Press Reduc Vlv Glb Body w/Check ANSI 150 Flg SS seat Indctr 15-150psi	4800-OACV	\$10,822.00
3-ZW209CZGL	3" ZW209 P-Reduc Vlv Glb Body w/Chk ANSI 150 Flg Indctr 15-150psi Liq Fld Gauge	4800-OACV	\$11,157.00
3-ZW209E24NC	3" ZW209 Press Reduc w/Sind Vlv Glb Body ANSI 150 Flg 15-150psi NrmCld 24vac	4800-OACV	\$11,067.00
3-ZW209EG24DNC	3" ZW209 Press Reduc w/Sind Vlv Glb Body Grv SS seat 15-150psi NrmCld 24vac DC	4800-OACV	\$14,865.00
3-ZW209EGNS	3" ZW209 Prs Rdc w/Sld Vlv Glb Bdy ANSI Grv - NS sub assembly do not enter on SO	4800-OACV	\$11,067.00
3-ZW209ENO	3" ZW209 Press Reduc w/Sind Vlv Glb Body ANSI 150 Flg 15-150psi NrmOon 120v	4800-OACV	\$11,067.00
3-ZW209ENOMO	3" ZW209 Press Reduc w/Sind Vlv Glb Body ANSI 150 Flg 15-150psi NrmOon 120v Man	4800-OACV	\$11,017.00
3-ZW209EX	3" ZW209 Press Reduc Vlv Glb Body ANSI 150 Flg SS seat 15-150psi Cpr Tube	4800-OACV	\$7,885.00
3-ZW209EXHP	3" ZW209EX Press Reduc Vlv Glb Body ANSI 150 Flg SS seat 30-300psi Cpr Tube	4800-OACV	\$14,024.00
3-ZW209EXPN16	3" ZW209 Press Reduc Vlv Glb Body ISO PN16 Flg SS seat 15-150psi Cpr Tube	4800-OACV	\$7,885.00
3-ZW209EXPN16RV	3" ZW209 Press Reduc Vlv Glb Body ISO PN16 Flg SS seat 15-150psi Rev Pilot	4800-OACV	\$11,067.00
3-ZW209EXRV	3" ZW209 Press Reduc Vlv Glb Body ANSI 150 Flg SS seat 15-150psi Rev Pilot	4800-OACV	\$10,658.00
3-ZW209EXY	3" ZW209 Press Reduc Vlv Glb Body ANSI 300 Flg SS seat 15-150psi Cpr Tube	4800-OACV	\$12,515.00
3-ZW209EXYHPRV	3" ZW209 Press Reduc Vlv Glb Body ANSI 300 Flg SS seat 30-300psi Rev Pilot	4800-OACV	\$14,024.00
3-ZW209EYHPNC	3" ZW209 Press Reduc w/Sind Vlv Glb Body ANSI 300 Flg 30-300psi NrmCld 120vac	4800-OACV	\$12,483.00
3-ZW209FPAGRV	3" ZW209 Press Reduc Fire Vlv Ang Body Grooved SS seat 15-150psi Cpr Tube Rev P	4800-OACV	\$10,049.00
3-ZW209FPAX	3" ZW209 Press Reduc Fire Vlv Glb Body ANSI 150 Flg SS seat 50-165psi Cpr Tube	4800-OACV	\$9,754.00
3-ZW209FPCG	3" ZW209 Press Reduc Fire Vlv Glb Body w/Check IPS Grvd SS seat 15-150psi	4800-OACV	\$10,760.00
3-ZW209FPCGHP	3" ZW209 Pr Reduc Fire Vlv Glb Bdy IPS Grvd w/Check SS seat 30-300psi Cpr Tube	4800-OACV	\$13,671.00
3-ZW209FPCGRV	3" ZW209 Pr Redu Fire Vlv Glb Body w/Check IPS Grvd 15-150psi Rev Pilot	4800-OACV	\$10,760.00
3-ZW209FPCGZ	3" ZW209 Press Reduc Fire Vlv Glb Body w/Check IPS Grvd SS seat Indctr 15-150psi	4800-OACV	\$11,640.00
3-ZW209FPCGZHPSP	3" ZW209 P-Reduc Fire Vlv Glb Body w/Check IPS Grvd Indctr 30-300psi SS Pilotry	4800-OACV	\$20,230.00
3-ZW209FPCGZRV	3" ZW209 P-Reduc Fire Vlv Glb Body w/Check IPS Grvd Indctr 15-150psi Rev Pilot	4800-OACV	\$13,087.00
3-ZW209FPCYHP	3" ZW209 Press Reduc Fire Vlv Glb Body ANSI 300 Flg w/Check SS seat 30-300psi	4800-OACV	\$13,723.00
3-ZW209FPGHP	3" ZW209 Press Reduc Fire Vlv Glb Body IPS Grvd SS seat 30-300psi Cpr Tube	4800-OACV	\$12,907.00
3-ZW209FPGHPRV	3" ZW209 Press Reduc Fire Vlv Glb Body IPS Grvd SS seat 30-300psi Cpr Tube Rev.	4800-OACV	\$12,907.00
3-ZW209FPGHPSP	3" ZW209 Press Reduc Fire Vlv Glb Body IPS Grvd SS seat 30-300psi SS Pilot	4800-OACV	\$18,559.00
3-ZW209FPGRV	3" ZW209 Press Reduc Fire Vlv Glb Body IPS Grvd SS seat 15-150psi Rev Pilot	4800-OACV	\$10,049.00
3-ZW209FPGST	3" ZW209 Press Reduc Fire Vlv Glb Body IPS Grvd SS seat 15-150psi ST Tube	4800-OACV	\$11,412.00
3-ZW209FPGZHPRV	3" ZW209 Press Reduc Fire Vlv Glb Bdy IPS Grv SS seat Ps Indctr 30-300psi Cpr Rev	4800-OACV	\$13,893.00
3-ZW209FP-PILOT	3" ZW209FP Pilot Assy. Complete Fire PRV ZW209FP "Any Connection"	4800-OACV	\$3,143.00
3-ZW209FPN16	3" ZW209 Press Reduc Fire Vlv Glb Body ISO PN16 Flg SS seat 15-150psi Cpr Tube	4800-OACV	\$11,396.00
3-ZW209FPXRV	3" ZW209 Press Reduc Fire Vlv Glb Body ANSI 150 Flg SS seat 15-150psi Rev Pilot	4800-OACV	\$10,049.00

3-ZW209FPKSP	3" ZW209 Press Reduc Fire Vlv Glb Body ANSI 150 Flg SS seat 15-150psi SS Pilot	4800-OACV	\$15,054.00
3-ZW209G	Pressure Reducing Valve, 300#, Grooved x Grooved	4800-OACV	\$9,231.00
3-ZW209GGL	3" ZW209 Press Reduc Vlv Glb Body IPS Grvd SS seat 15-150psi Liq Fld Gauge	4800-OACV	\$9,565.00
3-ZW209GHP	3" PRV GRVD HI PRESS PILOT	4800-OACV	\$9,465.00
3-ZW209GL	3" PRV 150# FLNG W/ LIQ GAUGES	4800-OACV	\$9,237.00
3-ZW209GLP	3" ZW209 Press Reduc Vlv Glb Body IPS Grvd SS seat 5-25psi Cpr Tube	4800-OACV	\$9,911.00
3-ZW209GLPRVGL	3" ZW209 Press Red Vlv Glb Body IPS Grvd SS seat 5-25psi Cpr Tube Rev Pliq Fld	4800-OACV	\$9,906.00
3-ZW209GRV	3" ZW209 Press Reduc Vlv Glb Body IPS Grvd SS seat 15-150psi Cpr Tube Rev Pilot	4800-OACV	\$9,228.00
3-ZW209GVHP	3" ZW209 Press Reduc Vlv Glb Body IPS Grvd SS seat Viton Rbr 30-300psi Cpr Tube	4800-OACV	\$13,459.00
3-ZW209GVZHPGL	3" ZW209 PRV Glb Body IPS Grvd SS seat Indctr Viton 30-300psi Cpr Tube Liq Gauge	4800-OACV	\$14,834.00
3-ZW209GZGL	3" ZW209 Press Reduc V Glb Body IPS Grvd Indctr SS seat 15-150psi Liq Fld Gauge	4800-OACV	\$10,615.00
3-ZW209GZHP	3" ZW209 Press Reduc Vlv Glb Body IPS Grvd SS seat Indctr 30-300psi Cpr Tube	4800-OACV	\$11,516.00
3-ZW209GZHPGL	3" ZW209 PRV Glb Body IPS Grvd SS seat Indctr 30-300psi Cpr Tube Liq Fld Gauge	4800-OACV	\$12,120.00
3-ZW209H	Pressure Reducing Valve / Pressure Sustaining Function, Class 150, Flanged x Flanged	4800-OACV	\$10,804.00
3-ZW209HHPS	3" ZW209 Press Reduc Prss Sust Vlv Glb Body ANSI 150 Flg 30-300psi, 50-200psi	4800-OACV	\$14,779.00
3-ZW209HL	3" ZW209 Press Reduc Prss Sust Vlv Glb Body ANSI 150 Flg SS seat Cpr Tube	4800-OACV	\$11,256.00
3-ZW209HP	3" PRV 150# FLNG, HI PRESS PILOT	4800-OACV	\$9,452.00
3-ZW209HPGL	3" ZW209 Press Reduc Vlv Glb Body ANSI 150 Flg SS seat 30-300psi Liq Fld Gauge	4800-OACV	\$11,075.00
3-ZW209HPS	3" ZW209 Press Reduc Vlv Glb Body ANSI 150 Flg SS seat 30-300psi SS Pilot	4800-OACV	\$15,676.00
3-ZW209HRV	3" ZW209 Press Reduc Prss Sust Vlv Glb Body ANSI 150 Flg SS seat Rev Pilot	4800-OACV	\$10,804.00
3-ZW209HSLP	3" ZW209 Press Reduc Prss Sust Vlv Glb Body ANSI 150 Flg SS seat 30-90psi	4800-OACV	\$10,448.00
3-ZW209HSLPGL	3" ZW209 Press Reduc Prss Sust Vlv Glb Bdy ANSI 150 Flg SS seat Cpr Tb Liq Gauge	4800-OACV	\$11,828.00
3-ZW209L	3" ZW209 Press Reduc Vlv Glb Body CIs Spd Ctrl ANSI 150 Flg SS seat 15-150psi	4800-OACV	\$10,020.00
3-ZW209LGL	3" ZW209 Pr Red Vlv Glb Bdy CIs Spd Ctrl ANSI 150 Flg SS seat 15-150psi Liq Gage	4800-OACV	\$9,541.00
3-ZW209LP	3" ZW209 Press Reduc Vlv Glb Body ANSI 150 Flg SS seat 5-25psi Cpr Tube	4800-OACV	\$9,907.00
3-ZW209LPRV	3" ZW209 Press Reduc Vlv Glb Body ANSI 150 Flg SS seat 5-25psi Rev Pilot	4800-OACV	\$10,222.00
3-ZW209LRV	3" ZW209 PRV Glb Body CIs Spd Ctrl ANSI 150 Flg SS seat 15-150psi Rev Pilot	4800-OACV	\$10,023.00
3-ZW209LSHGL	3" ZW209 PRV Glb Body CIs Spd Ctrl ANSI 150 Flg SS seat & Hose 15-150psi Liq Fil	4800-OACV	\$10,015.00
3-ZW209LYGL	3" ZW209 Pr Red Vlv Glb Bdy CIs Spd Ctrl ANSI 300 Flg SS seat 15-120psi Liq Gage	4800-OACV	\$9,541.00
3-ZW209NI	3" ZW209 Press Reduc Vlv Glb Body ANSI 150 Flg No pilot ball valves 15-150psi	4800-OACV	\$9,228.00
3-ZW209-PILOT	PILOT ASSY, COMPLETE, ZW209	4800-OACV	\$1,988.00
3-ZW209PN16	3" ZW209 Press Reduc Vlv Glb Body ISO PN16 Flg SS seat 15-150psi Cpr Tube	4800-OACV	\$9,228.00
3-ZW209PN16GL	3" ZW209 PRV Vlv Glb Bdy ISO PN16 Flg SS seat 15-150psi Cpr Tube Liq Fld Gaug	4800-OACV	\$9,683.00
3-ZW209Q	Pressure Reducing Valve / Surge Control, Class 150, Flanged x Flanged	4800-OACV	\$12,213.00
3-ZW209QCVHPGL	3" ZW209 Press Reduc w/Surge Vlv Glb Body w/Chk SS seat 30-300psi Cpr Tube Liq Ga	4800-OACV	\$17,604.00
3-ZW209QGL	3" ZW209 Press Reduc w/Surge Vlv Glb Body ANSI 150 Flg 15-150psi Liq Fld Gauge	4800-OACV	\$12,556.00
3-ZW209QLGL	3" ZW209 Press Reduc w/Surge Vlv Glb Body CIs Spd ANSI 150 Flg 15-150psi Liq Fil	4800-OACV	\$13,010.00
3-ZW209QLP	3" ZW209 Press Reduc w/Surge Vlv Glb Body ANSI 150 Flg SS seat 10-35psi	4800-OACV	\$12,901.00
3-ZW209QSH	3" ZW209 Press Reduc w/Surge Vlv Glb Body ANSI 150 Flg SS seat 15-120psi SS Hose	4800-OACV	\$12,213.00
3-ZW209QY	3" ZW209 Press Reduc w/Surge Vlv Glb Body ANSI 300 Flg SS seat 15-150psi	4800-OACV	\$12,212.00
3-ZW209RGL	3" ZW209 Press Reduc Reduc Port ANSI 150 Flg 15-150psi Liq Fld Gauge	4800-OACV	\$8,984.00
3-ZW209RHHPGL	3" ZW209 Press Reduc Reduc Port V Glb Bdy ANSI 150 Flg SS seat 30-300psi LiqFld	4800-OACV	\$10,489.00
3-ZW209RRV	3" ZW209 Pr Red Reduc Port ANSI 150 Flg SS seat 15-120psi Cpr Tube Rev Pilot	4800-OACV	\$8,648.00
3-ZW209RSP	3" Press Reduc Reduc Port ANSI 150 Flg SS Pilotry	4800-OACV	\$14,102.00
3-ZW209RV	3" PRV 150# FLNG REVERSE PILOT	4800-OACV	\$9,231.00
3-ZW209RVGL	3" ZW209 P-Reduc Vlv Glb Body ANSI 150 Flg 15-150psi Rev Pilot Liq Fld Gauge	4800-OACV	\$9,565.00
3-ZW209RY	3" ZW209 Press Reduc Reduc Port ANSI 300 Flg SS seat 15-120psi Cpr Tube	4800-OACV	\$8,649.00
3-ZW209RYHP	3" ZW209 Press Reduc Reduc Port V Glb Bdy ANSI 300 Flg SS seat 30-300psi	4800-OACV	\$11,104.00
3-ZW209RYVHP	3" ZW209 Pr Red Reduc Port V Glb Bdy ANSI 300 Flg SS seat 30-300psi Viton Rubber	4800-OACV	\$13,646.00
3-ZW209RZGL	3" ZW209 Press Reduc Reduc Port ANSI 150 Flg Indctr 15-150psi Liq Fld Gauge	4800-OACV	\$9,764.00
3-ZW209RZHPSP	3" ZW209 Press Reduc Reduc Port ANSI 150 Flg Indctr 30-300psi SS Pilotry	4800-OACV	\$16,503.00
3-ZW209SH	3" ZW209 Press Reduc Vlv Glb Body ANSI 150 Flg SS seat 15-150psi SS Hose	4800-OACV	\$9,228.00
3-ZW209SP	3" ZW209 Press Reduc Vlv Glb Body ANSI 150 Flg SS seat 15-150psi SS Pilotry	4800-OACV	\$15,013.00
3-ZW209SP-PILOT	Pilot Assy Stainless Steel Complete ZW209SP, any connection	4800-OACV	\$9,114.00

3-ZW209SPSH-PILOT	Pilot Assy Stainless Steel Complete ZW209SP with Braided Hose, any connection	4800-OACV	\$9,488.00
3-ZW209TH	3" ZW209 Press Reduc Vlv Glb Body Fem NPT SS seat 15-150psi Cpr Tube	4800-OACV	\$9,228.00
3-ZW209THHP	3" ZW209 Press Reduc Vlv Glb Body Fem NPT SS seat 30-300psi Cpr Tube	4800-OACV	\$9,223.00
3-ZW209THHPGL	3" ZW209 Press Reduc Vlv Glb Body Fem NPT SS seat 30-300psi Liq Fld Gauge	4800-OACV	\$9,549.00
3-ZW209THLP	3" ZW209 Press Reduc Vlv Glb Body Fem NPT SS seat 5-25psi Cpr Tube	4800-OACV	\$9,872.00
3-ZW209THZHP	3" ZW209 Press Reduc Vlv Glb Body Fem NPT SS seat Indctr 30-300psi Cpr Tube	4800-OACV	\$11,517.00
3-ZW209VHP	3" ZW209 Press Reduc Vlv Glb Body ANSI 150 Flg SS seat Viton Rbr 30-300psi	4800-OACV	\$13,451.00
3-ZW209VHPGL	3" ZW209 P-Reduc Vlv Glb Body ANSI 150 Flg Viton Rbr 30-300psi Liq Fld Gauge	4800-OACV	\$13,769.00
3-ZW209Y	Pressure Reducing Valve, 300#, Flange x Flange	4800-OACV	\$10,677.00
3-ZW209YGL	2.5" ZW209 Press Reduc Vlv Glb Body ANSI 300 Flg SS seat 15-150psi Cpr Tube Liq	4800-OACV	\$11,015.00
3-ZW209YHP	3" ZW209 Press Reduc Vlv Glb Body ANSI 300 Flg SS seat 30-300psi Cpr Tube	4800-OACV	\$10,628.00
3-ZW209YHPRV	3" ZW209 Press Reduc Vlv Glb Body ANSI 300 Flg SS seat 30-300psi Cpr Tube Rev.	4800-OACV	\$10,630.00
3-ZW209YHPVGL	3" ZW209 P-Reduc Vlv Glb Body ANSI 300 Flg 30-300psi Rev Pilot Liq Fld Gauge	4800-OACV	\$12,522.00
3-ZW209YZHPSP	3" ZW209 Pr Red Vlv Glb Body ANSI 300 Flg Pstn Indctr SS seat 30-300psi SS Pilot	4800-OACV	\$15,439.00
3-ZW209ZLPRV	3" ZW209 Press Reduc Vlv Glb Body ANSI 300 Flg SS seat 5-25psi Rev Pilot	4800-OACV	\$12,408.00
3-ZW209Z	3" ZW209 Press Reduc Vlv Glb Body ANSI 150 Flg SS seat Indctr 15-150psi Cpr Tube	4800-OACV	\$10,009.00
3-ZW209ZGL	3" ZW209 Press Reduc Vlv Glb Body ANSI 150 Flg Indctr 15-150psi Liq Fld Gauge	4800-OACV	\$10,130.00
3-ZW209ZHP	3" ZW209 Press Reduc Vlv Glb Body ANSI 150 Flg Indctr 30-300psi Cpr Tube	4800-OACV	\$10,436.00
3-ZW209ZRV	3" ZW209 Press Reduc Vlv Glb Body ANSI 150 Flg Indctr 15-150psi Rev Pilot	4800-OACV	\$10,009.00
3-ZW209ZSPRV	3" ZW209 Press Reduc Vlv Glb Body ANSI 150 Flg Indctr SS seat 15-150psi SS Pilot	4800-OACV	\$15,003.00
40-ZW209BS	DN40 ZW209 Press Reduc Vlv Glb Body Fem BSPP SS seat 15-150psi Cpr Tube	4800-OACV	\$8,899.00
40-ZW209BT	DN40 ZW209 Press Reduc Vlv Glb Body Fem BSPT SS seat 15-150psi Cpr Tube	4800-OACV	\$8,787.00
4-12-CHECKTRIM	2" drain valve nipples, gauges, for 4", 6", 8", 10" and 12" riser check,300 PSI	4800-00FV	\$504.00
4-ZW209	Pressure Reducing Valve, 150#, Flange x Flange	4800-OACV	\$11,762.00
4-ZW209A	4" ZW209 Press Reduc Vlv Ang Body ANSI 150 Flg SS seat 15-150psi Cpr Tube	4800-OACV	\$11,762.00
4-ZW209AG	4" ZW209 Press Reduc Vlv Ang Body IPS Grvd SS seat 15-150psi Cpr Tube	4800-OACV	\$11,762.00
4-ZW209AGR	4" ZW209 Press Reduc Vlv Ang Body IPS Grvd SS seat 15-150psi Cpr Tube Rev Pilot	4800-OACV	\$11,762.00
4-ZW209ARV	4" ZW209 Press Reduc Vlv Ang Bdy ANSI 150 Flg SS seat 15-120psi Cpr Tube Rev Pilot	4800-OACV	\$11,762.00
4-ZW209AY	4" ZW209 Press Reduc Vlv Ang Body ANSI 300 Flg SS seat 15-120psi Cpr Tube	4800-OACV	\$14,024.00
4-ZW209AYHP	4" ZW209 Press Reduc Vlv Ang Body ANSI 300 Flg SS seat 30-300psi Cpr Tube	4800-OACV	\$15,531.00
4-ZW209BPA	4" ZW209 Press Reduc Lo Flw Bypass Vlv Ang Body ANSI 150 Flg SS seat 15-120psi	4800-OACV	\$14,797.00
4-ZW209BPSE	4" ZW209 Press Reduc Lo Flw Bypass Vlv Glb Body Tbl E Flg SS seat 15-150psi	4800-OACV	\$14,797.00
4-ZW209BPCG	4" ZW209 Press Reduc Lo Flw Bypass Vlv Glb Body w/ Check IPS Grvd 15-150psi	4800-OACV	\$15,943.00
4-ZW209BPCGL	4" P-Reduc Lo Flw Bypass Glb Bdy w/Chk ANSI 150 Flg SS seat Liq Gage	4800-OACV	\$15,959.00
4-ZW209BPCHP	4" ZW209 Press Reduc Lo Flw Bypass Vlv Glb Body w/ Check ANSI 150 Flg 30-300psi	4800-OACV	\$17,117.00
4-ZW209BPCHPGL	4" ZW209 P-Redu Lo Flw Bypas Glb Bdy w/Chk ANSI 150 Flg 30-300psi SS Seat Liq Ga	4800-OACV	\$15,188.00
4-ZW209BPCL	4" P-Reduc Lo Flw Bypass Glb Bdy w/Chk, CIs Sp Ctrl, ANSI 150 Flg SS seat	4800-OACV	\$16,063.00
4-ZW209BPCLGL	4" P-Reduc Lo Flw Bypass Glb Bdy w/Chk, CIs Sp Ctrl, ANSI 150 Flg SS seat Liq G	4800-OACV	\$14,797.00
4-ZW209BPCLP	4" Press Reduc Lo Flw Bypass Glb Bdy w/Chk ANSI 150 Flg SS seat 5-25psi.	4800-OACV	\$16,295.00
4-ZW209BPCLYHP	4" ZW209 Press Reduc Lo Flw Bypass Vlv Glb Body w/ Check ANSI 300 Flg 30-300psi	4800-OACV	\$19,545.00
4-ZW209BPCR	4" ZW209 Press Reduc Lo Flw Bypass Vlv Red Port Bdy w/ Chk ANSI 150 Flg 15-150psi	4800-OACV	\$13,205.00
4-ZW209BPCRV	4" ZW209 Press Reduc Lo Flw Bypass Vlv Glb Body w/ Check ANSI 150 Flg 15-150psi	4800-OACV	\$15,615.00
4-ZW209BPCYGL	4" ZW209 Pre Red Lo Flw Bypass Vlv Glb Bd w/Check ANSI 300 Flg 15-120psi Liq Gau	4800-OACV	\$15,959.00
4-ZW209BPEX	4" ZW209 Press Reduc Lo Flw Bypass Vlv Glb Body ANSI 150 Flg SS seat 15-150psi	4800-OACV	\$13,753.00
4-ZW209BPEXY	4" ZW209 Prss Reduc Lo Flw Bypass Vlv Glb Body ANSI 300 Flg SS seat 15-150psi	4800-OACV	\$17,061.00
4-ZW209BPGL	4" ZW209 P-Reduc Lo Flw Bypass Vlv Glb Body IPS Grvd 15-150psi Liq Fld Gauge	4800-OACV	\$15,137.00
4-ZW209BPGL	4" ZW209 P-Reduc Lo Flw Bypass Glb Bdy ANSI 150 Flg 15-150psi Liq Fld Gauge	4800-OACV	\$15,137.00
4-ZW209BPGRV	4" ZW209 Press Reduc Vlv Glb Body ANSI 150 Flg SS seat 15-150psi Cpr Tube Rev	4800-OACV	\$14,797.00
4-ZW209BPGLZ	4" ZW209 Press Reduc Lo Flw Bypass Vlv Glb Body IPS Grvd Indctr 15-150psi	4800-OACV	\$15,577.00
4-ZW209BPHP	4" ZW209 Press Reduc Lo Flw Bypass Vlv Glb Body ANSI 150 Flg SS seat 30-300psi	4800-OACV	\$16,307.00
4-ZW209BHPGL	4" ZW209 P-Reduc Lo Flw Bypass Glb Bdy ANSI 150 Flg 30-300psi Liq Fld Gauge	4800-OACV	\$16,641.00

4-ZW209BPHSP	4" ZW209 Press Reduc Lo Flw Bypass Vlv Glb Body ANSI 150 Flg SS Seat 30-300 psi	4800-OACV	\$21,997.00
4-ZW209BPL	4" ZW209 P-Reduc Lo Flw Bypass Vlv Glb Body Cls Spd Ctrl ANSI 150 Flg 15-150psi	4800-OACV	\$15,587.00
4-ZW209BPLGLRV	4" ZW209 P-Reduc Lo Flw Bypass Vlv Glb Body Cls Spd Ctrl ANSI 150 Flg 15-150psi	4800-OACV	\$16,608.00
4-ZW209BPLHPLGSLD	4" ZW209 P-Reduc Lo Flw Bypass Vlv Glb Body Cls Spd Ctrl ANSI 150 Flg 30-300psi	4800-OACV	\$24,272.00
4-ZW209BPLP	4" ZW209 Press Reduc Lo Flw Bypass Vlv Glb Body ANSI 150 Flg SS seat 5-25psi	4800-OACV	\$15,477.00
4-ZW209BPLRHP	4" ZW209 Press Reduc Lo Flw Bypass Reduc Port Cls Spd Ctrl ANSI 150 Flg 30-300p	4800-OACV	\$14,354.00
4-ZW209BPQ	4" ZW209 Press Reduc Lo Flw Bypass w/Surge Vlv Glb Body ANSI 150 Flg 15-150psi	4800-OACV	\$17,782.00
4-ZW209BPR	4" ZW209 P-Reduc Lo Flw Bypass Reduc Port ANSI 150 Flg 4800-OACV	4800-OACV	\$12,395.00
4-ZW209BPRGL	4" ZW209 P-Reduc Lo Flw Bypass Reduc Port ANSI 150 Flg Flld Gauge	4800-OACV	\$12,733.00
4-ZW209BPRRV	4" ZW209 Press Reduc Lo Flw Bypass Vlv Glb Body Red Prt ANSI 150 Flg Rev Pil	4800-OACV	\$12,395.00
4-ZW209BPRV	4" ZW209 Press Reduc Lo Flw Bypass Vlv Glb Body ANSI 150 Flg Rev Pilot	4800-OACV	\$14,795.00
4-ZW209BPRZHP	4" ZW209 Press Reduc Lo Flw Bypass Reduc Port ANSI 150 Flg Indctr 30-300psi	4800-OACV	\$16,078.00
4-ZW209BPSH	4" ZW209 P-Reduc Lo Flw Bypass ANSI 150 Flg 15-150psi SS Hose	4800-OACV	\$14,797.00
4-ZW209BPS	4" ZW209 Press Reduc Lo Flw Bypass Vlv Glb Body ANSI 150 Flg SS seat 15-150psi	4800-OACV	\$20,827.00
4-ZW209BPVHSP	4" ZW209 Press Reduc Lo Flw Bypass Vlv Glb Body ANSI 150 Flg SS seat Viton 30-30	4800-OACV	\$25,397.00
4-ZW209BPYGL	4" ZW209 P-Reduc Lo Flw Bypass Glb Bdy ANSI 300 Flg 15-150psi Liq Flld Gauge	4800-OACV	\$17,398.00
4-ZW209BPYHP	4" ZW209 Press Reduc Lo Flw Bypass Vlv Glb Body ANSI 300 Flg SS seat 30-300psi	4800-OACV	\$18,568.00
4-ZW209BPYRV	4" ZW209 Press Reduc Lo Flw Bypass Vlv Glb Body ANSI 300 Flg SS seat Rev Pilot	4800-OACV	\$17,061.00
4-ZW209BPYZHPRVGL	4" ZW209 P-Reduc Lo Flw Bypass Glb Bdy ANSI 300 Flg 30-300psi Rev Pilot Lq Gauge	4800-OACV	\$23,271.00
4-ZW209BPZ	4" ZW209 Press Reduc Lo Flw Bypass Vlv Glb Body ANSI 150 Flg Indctr 15-150psi	4800-OACV	\$14,795.00
4-ZW209BPZGL	4" ZW209 Press Red Lo Flw Bypass V Glb Bdy ANSI 150 Flg SS seat 15-150psi Indctr	4800-OACV	\$16,185.00
4-ZW209BPZHP	4" ZW209 Press Reduc Lo Flw Bypass Vlv Glb Body ANSI 150 Flg Pos Indctr 30-300psi	4800-OACV	\$17,292.00
4-ZW209BPZRV	4" ZW209 Press Reduc Lo Flw Bypass Vlv Glb Body ANSI 150 Flg Indtr 15-150psi Rev	4800-OACV	\$15,848.00
4-ZW209BPZSHGL	4" ZW209 P-Reduc Lo Flw Bypass ANSI 150 Flg Indctr 15-150psi Liq Gaa. SS Hose	4800-OACV	\$16,187.00
4-ZW209BSD	4" ZW209 Press Reduc Vlv Glb Body Tbl D Flg SS seat 15-150psi Cpr Tube	4800-OACV	\$11,759.00
4-ZW209BSE	4" ZW209 Press Reduc Vlv Glb Body Tbl E Flg SS seat 15-150psi Cpr Tube	4800-OACV	\$11,759.00
4-ZW209C	4" ZW209 Press Reduc Vlv Glb Body w/Check ANSI 150 Flg SS seat 15-150psi	4800-OACV	\$12,571.00
4-ZW209CGHPGL	4" PRV GROOVED W/ CHECK, HIGH PRESS, LIQ GAUGES	4800-OACV	\$13,121.00
4-ZW209CGL	4" ZW209 Press Reduc Vlv Glb Body w/Check ANSI 150 Flg 15-120psi Liq Gauge	4800-OACV	\$12,889.00
4-ZW209CHP	4" ZW209 Press Reduc Vlv Glb Body w/Check ANSI 150 Flg SS seat 30-300psi	4800-OACV	\$14,080.00
4-ZW209CL	4" ZW209 Press Reduc Vlv Glb Body w/Check Cls Spd Ctrl ANSI 150 Flg 15-150psi	4800-OACV	\$11,759.00
4-ZW209CLGL	4" ZW209 Press Red Vlv Glb Bdy w/Chk Cls Spd Ctrl ANSI 150 Flg 15-150psi Liq Gauge	4800-OACV	\$13,377.00
4-ZW209CLRHPGL	4" ZW209 PRV Port ANSI 150 Flg w/Chk Cls Spd SS seat 30-300psi Liq Flld Gauge	4800-OACV	\$16,005.00
4-ZW209CLSP	4" ZW209 Press Reduc Vlv Glb Body w/Check Cls Spd Ctrl ANSI 150 Flg 15-150psi	4800-OACV	\$19,047.00
4-ZW209CLZSP	4" ZW209 P-Reduc Vlv Glb Body w/Check Cls Spd Ctrl ANSI 150 Flg Indctr 15-150psi	4800-OACV	\$19,828.00
4-ZW209CR	4" ZW209 Press Reduc Reduc Port w/Check ANSI 150 Flg SS seat 15-150psi Cpr Tube	4800-OACV	\$10,171.00
4-ZW209CRGL	4" ZW209 Pre Red Port w/Check ANSI 150 Flg SS seat 15-120psi Cpr Tube Liq Gag	4800-OACV	\$10,489.00
4-ZW209CRV	4" ZW209 Press Reduc Vlv Glb Bdy w/Check ANSI 150 Flg SS seat 15-120psi RevPilot	4800-OACV	\$12,571.00
4-ZW209CY	4" ZW209 Press Reduc Vlv Glb Body w/Check ANSI 300 Flg SS seat 15-150psi	4800-OACV	\$14,833.00
4-ZW209CYHP	4" ZW209 Press Reduc Vlv Glb Body w/Check ANSI 300 Flg 15-300psi	4800-OACV	\$16,719.00
4-ZW209CYHPRV	NOT R.4" ZW209 Press Reduc Vlv Glb Body w/Check ANSI 300 Flg 15-300psi Rev Pilot	4800-OACV	\$16,719.00
4-ZW209CYRV	4" ZW209 Press Reduc Vlv Glb Body w/Check ANSI 300 Flg 15-150psi Rev Pilot	4800-OACV	\$14,833.00
4-ZW209CZHPGL	4" PRV 150# FLNG W/ CHECK, POS IND, HIGH PRESS, LIQ GAUGES	4800-OACV	\$13,900.00
4-ZW209E24NCGL	4" ZW209 Press Reduc w/Sind Vlv Glb Body ANSI 150 Flg 15-150psi NrmClsd 24v Liq	4800-OACV	\$13,531.00
4-ZW209E24NCMO	4" ZW209 Press Reduc w/Sind Vlv Glb Body ANSI 150 Flg 15-150psi NrmClsd Man Oper	4800-OACV	\$13,642.00
4-ZW209E24NCMOGL	4" ZW209 Press Red w/Sind Vlv Glb Bdy ANSI 150 Flg 15-150psi NrmClsd Man Lq Gauge	4800-OACV	\$13,531.00
4-ZW209E24NC-PILOT	PILOT ASSY. COMPLETE, ZW209E24NC	4800-OACV	\$6,502.00
4-ZW209E24NO	4" PRV 24VAC NORM OPN SLND VLV 150# FLNG	4800-OACV	\$13,193.00
4-ZW209E24NCMO	4" ZW209 Pr Red Vlv w/Sind w/Chk Glb Bdy ANSI 150 Flg 15-120psi NrmClsd ManOper	4800-OACV	\$14,406.00
4-ZW209ECLHPNOGL	4" ZW209 Press Reduc w/Sind Vlv Glb Body ANSI 150 Flg 30-300psi NrmOpn 120v	4800-OACV	\$16,705.00
4-ZW209ECLHPNOGL-PIL	PILOT ASSY. COMPLETE, 4 ZW209ECLHPNOGL	4800-OACV	\$16,258.00
4-ZW209ECLHPNO-PILOT	PILOT ASSY. COMPLETE, 4 ZW209ECLHPNO	4800-OACV	\$16,258.00
4-ZW209ENC	4" ZW209 Press Reduc w/Sind Vlv Glb Body ANSI 150 Flg 15-150psi NrmClsd 120v	4800-OACV	\$13,193.00

4-ZW209ENCGL	4" P-Reduc w/Sind Glb Bdy ANSI 150 Flg SS seat NrmClsd 120v Liq Gage	4800-OACV	\$13,529.00
4-ZW209ENC-PILOT	PILOT ASSY. COMPLETE, ZW209ENC	4800-OACV	\$5,586.00
4-ZW209ENO	4" ZW209 Press Reduc w/Sind Vlv Glb Body ANSI 150 Flg 15-150psi NrmOpn 120v	4800-OACV	\$13,193.00
4-ZW209ENOGL	4" P-Reduc w/Sind Glb Bdy ANSI 150 Flg SS seat NrmOpen 120v Liq Gauge	4800-OACV	\$13,079.00
4-ZW209ENOMO	4" ZW209 P-Reduc w/Sind Vlv Glb Body ANSI 150 Flg 15-150psi NrmOpn 120v Manl Op	4800-OACV	\$13,601.00
4-ZW209EX	4" ZW209 Press Reduc Vlv Glb Body ANSI 150 Flg SS seat 15-150psi Cpr Tube	4800-OACV	\$10,718.00
4-ZW209EX8SD	4" ZW209 Press Reduc Vlv Glb Body Table D Flg SS seat 15-150psi Cpr Tube	4800-OACV	\$11,759.00
4-ZW209EXPN16	4" ZW209 Press Reduc Vlv Glb Body ISO PN16 Flg SS seat Cpr Tube	4800-OACV	\$10,718.00
4-ZW209EXPN16RV	4" ZW209 Press Reduc Vlv Glb Body ISO PN16 Flg SS seat Cpr Tube Rev Pilot	4800-OACV	\$16,230.00
4-ZW209EXPN25	4" ZW209 Press Reduc Vlv Glb Body ISO PN25 Flg SS Seat Cpr Tube	4800-OACV	\$13,864.00
4-ZW209EXRV	4" ZW209 Press Reduc Vlv Glb Body ANSI 150 Flg SS seat Cpr Tube Rev Pilot	4800-OACV	\$13,203.00
4-ZW209EXY	4" ZW209 Press Reduc Vlv Glb Body ANSI 300 Flg SS seat Cpr Tube	4800-OACV	\$15,864.00
4-ZW209EXYHPRV	4" ZW209 Press Reduc Vlv Glb Body ANSI 300 Flg SS seat 30-300psi Rev Pilot	4800-OACV	\$17,370.00
4-ZW209FAGRV	4" ZW209 Press Reduc Fire Vlv Ang Body Grooved SS seat 15-150psi Cpr Tube Rev Pi	4800-OACV	\$13,302.00
4-ZW209FAYHP	4" ZW209 Press Reduc Fire Vlv Ang Body ANSI 300 Flg SS seat 30-300psi Cpr Tube	4800-OACV	\$16,991.00
4-ZW209FPBSE	4" ZW209 Press Reduc Fire Vlv Glb Body Tbl E Flg SS seat 15-150psi Cpr Tube	4800-OACV	\$15,474.00
4-ZW209FPCAG	4" ZW209 Press Reduc Fire Vlv Ang Body w/Check IPS Grvd SS seat 50-165psi	4800-OACV	\$14,025.00
4-ZW209FPCAGRV	4" ZW209 Press Reduc Fire Vlv Ang Body w/Check IPS Grvd SS seat 50-165psi Rev	4800-OACV	\$14,025.00
4-ZW209FPCGHP	4" ZW209 Press Reduc Fire Vlv Glb Body w/Check IPS Grvd SS seat 30-300psi	4800-OACV	\$17,806.00
4-ZW209FPCGRV	4" ZW209 Press Reduc Fire Vlv Glb Body w/Check IPS Grv SS seat 50-165psi Rev Pil	4800-OACV	\$14,025.00
4-ZW209FPCGZ	4" ZW209 P-Reduc Fire Vlv Glb Body w/Check IPS Grvd Indctr 15-150psi	4800-OACV	\$14,435.00
4-ZW209FPCX	4" ZW209 Press Reduc Fire Vlv Glb Body w/Check ANSI 150 Flg SS seat 15-150psi	4800-OACV	\$14,110.00
4-ZW209FPCY	4" ZW209 Press Reduc Fire Vlv Glb Body w/Check ANSI 300 Flg SS seat 15-150psi	4800-OACV	\$16,287.00
4-ZW209FPGHP	4" ZW209 Press Reduc Fire Vlv Glb Body IPS Grvd SS seat 30-300psi Cpr Tube	4800-OACV	\$17,069.00
4-ZW209FPGHPRV	4" ZW209 Press Reduc Fire Vlv Glb Body IPS Grvd SS seat 30-300psi Cpr Tube Rev P	4800-OACV	\$17,069.00
4-ZW209FPGHSP	4" ZW209 Press Reduc Fire Vlv Glb Body IPS Grvd SS seat 30-300psi SS Pilot	4800-OACV	\$22,635.00
4-ZW209FPGRV	4" ZW209 Press Reduc Fire Vlv Glb Body IPS Grvd SS seat 50-165psi Rev Pilot	4800-OACV	\$13,301.00
4-ZW209FPGST	4" ZW209 Press Reduc Fire Vlv Glb Body IPS Grvd SS seat 15-150psi ST Tube	4800-OACV	\$14,031.00
4-ZW209FPGZ	4" ZW209 Press Reduc Fire Vlv Glb Body IPS Grvd SS seat Indctr 15-150psi	4800-OACV	\$14,080.00
4-ZW209FP-PILOT	Pilot Assy. Complete Fire PRV ZW209FP "Any Connection"	4800-OACV	\$3,347.00
4-ZW209FPN16	4" ZW209 Press Reduc Fire Vlv Glb Body ISO PN16 Flg SS seat 15-150psi Cpr Tube	4800-OACV	\$15,474.00
4-ZW209FPXHP	4" ZW209 Press Reduc Fire Vlv Glb Body ANSI 150 Flg SS seat 30-300psi Cpr Tube	4800-OACV	\$14,809.00
4-ZW209FPXRV	4" ZW209 Press Reduc Fire Vlv Glb Body ANSI 150 Flg SS seat 15-150psi Rev Pilot	4800-OACV	\$13,301.00
4-ZW209FPXSP	4" ZW209 Press Reduc Fire Vlv Glb Body ANSI 150 Flg SS seat 15-150psi SS Pilot	4800-OACV	\$18,304.00
4-ZW209FPXZ	4" ZW209 Press Reduc Fire Vlv Glb Body ANSI 150 Flg SS seat Indctr 15-150psi	4800-OACV	\$14,080.00
4-ZW209FPXZRV	4" ZW209 Press Reduc Fire Vlv Glb Body ANSI 150 Flg Indctr 15-150psi Rev Pilot	4800-OACV	\$14,080.00
4-ZW209FPXZSP	4" ZW209 Press Redu Fire Vlv Glb Bdy ANSI 150 Flg SS seat 15-150psi SS Pilot w/ PI	4800-OACV	\$19,088.00
4-ZW209FPYHP	4" ZW209 Press Reduc Fire Vlv Glb Body ANSI 300 Flg SS seat 30-300psi Cpr Tube	4800-OACV	\$16,984.00
4-ZW209FPYHPRV	4" ZW209 Press Reduc Fire Vlv Glb Body ANSI 300 Flg SS seat 30-300psi Rev Pilot	4800-OACV	\$15,474.00
4-ZW209FPYRV	4" ZW209 Press Reduc Fire Vlv Glb Body ANSI 300 Flg SS seat 15-150psi Rev Pilot	4800-OACV	\$15,474.00
4-ZW209G	Pressure Reducing Valve, 300#, Grooved x Grooved	4800-OACV	\$11,762.00
4-ZW209GGL	4" ZW209 Press Reduc Vlv Glb Body IPS Grvd SS seat 15-150psi Liq Flld Gauge	4800-OACV	\$12,095.00
4-ZW209GHP	4" PRV GROOVED, HIGH PRESSURE RANGE PILOT	4800-OACV	\$12,009.00
4-ZW209GHPGL	4" ZW209 Press Reduc Vlv Glb Body IPS Grvd SS seat 30-300psi Liq Flld Gauge	4800-OACV	\$12,310.00
4-ZW209GHPRV	4" ZW209 Press Reduc Vlv Glb Body IPS Grvd SS seat 30-300psi Cpr Tube Rev Pilot	4800-OACV	\$11,975.00
4-ZW209GHSP	4" ZW209 Press Reduc Vlv Glb Body IPS Grvd SS seat 30-300psi SS Pilotry Liq, Gau	4800-OACV	\$17,792.00
4-ZW209GL	4" ZW209 Press Reduc Vlv Glb Body ANSI 150 Flg SS seat 15-150psi Liq Flld Gauge	4800-OACV	\$12,094.00
4-ZW209GRV	4" PRV GROOVED REVERSE PILOT	4800-OACV	\$11,762.00
4-ZW209H	4" PRV & PRESSURE SUSTAINING VLV	4800-OACV	\$13,337.00
4-ZW209HCHPHP	4" Press Reduc Prss Sust Vlv Glb Body w/check ANSI 150 Flg 30-300psi	4800-OACV	\$17,182.00
4-ZW209HG	4" ZW209 Press Reduc Prss Sust Vlv Glb Body IPS Grvd SS seat Cpr Tube	4800-OACV	\$13,337.00
4-ZW209HGHPHP	4" Press Reduc Prss Sust Vlv Glb Body IPS Grvd 30-300psi 150-300psi	4800-OACV	\$17,132.00
4-ZW209HGL	4" ZW209 Press Reduc Prss Sust Vlv Glb Body ANSI 150 Flg SS seat Liq Flld Gauge	4800-OACV	\$12,434.00

4-ZW209HGZ	4" ZW209 Press Reduc Prss Sust Vlv Glb Body IPS Grvd SS seat Indctr Cpr Tube	4800-OACV	\$14,116.00
4-ZW209HHPHP	4" Press Reduc Prss Sust Vlv Glb Body IPS ANSI 150 Flg 30-300psi 150-300psi	4800-OACV	\$16,352.00
4-ZW209HHPLPGL	4" Press Reduc Prss Sust Vlv Glb Body IPS ANSI 150 Flg 30-300psi, 30-90psi Liq.	4800-OACV	\$15,865.00
4-ZW209HHPS	4" Press Reduc Prss Sust Vlv Glb Body IPS ANSI 150 Flg 30-300psi, 50-200psi	4800-OACV	\$15,975.00
4-ZW209HHPSGL	4" Press Red Prss Sust Vlv Glb Bdy IPS ANSI 150 Flg 30-300psi, 50-200psi Liq Ga	4800-OACV	\$24,345.00
4-ZW209HLPS	4" ZW209 Press Reduc Prss Sust Vlv Glb Body ANSI 150 Flg SS seat 5-25psi Cpr Tub	4800-OACV	\$14,013.00
4-ZW209HP	4" PRV 150# FLNG, HI PRESS PILOT	4800-OACV	\$11,985.00
4-ZW209HPGL	4" PRV 150# FLNG W/ HIGH PRESS, LIQ GAUGES	4800-OACV	\$12,311.00
4-ZW209HPRV	4" ZW209 Press Reduc Vlv Glb Body ANSI 150 Flg SS seat 30-300psi Rev Pilot	4800-OACV	\$11,975.00
4-ZW209HPRVGL	4" ZW209 Press Reduc Vlv Glb Bdy ANSI 150 Flg SS seat 30-300psi Rev Pilot Liq Gau	4800-OACV	\$12,325.00
4-ZW209HPS	4" ZW209 Press Reduc Vlv Glb Body ANSI 150 Flg SS seat 30-300psi SS Pilotry	4800-OACV	\$19,053.00
4-ZW209HPS-PILOT	PILOT ASSY, COMPLETE, 4-ZW209HPS	4800-OACV	\$11,297.00
4-ZW209HSLP	4" ZW209 Press Reduc Prss Sust Vlv Glb Body ANSI 150 Flg SS seat Cpr Tube	4800-OACV	\$14,013.00
4-ZW209HSLPRV	4" ZW209 Press Reduc Prss Sust Vlv Glb Body ANSI 150 Flg SS seat Cpr Tube Revers	4800-OACV	\$14,021.00
4-ZW209HSP	4" ZW209 Pr Rd Prss Sust Vlv Glb Bdy ANSI 150 Flg Indctr SS seat 15-150psi SS Pi	4800-OACV	\$18,843.00
4-ZW209L	4" ZW209 Press Reduc Vlv Glb Body Cls Spd Ctrl ANSI 150 Flg SS seat 15-150psi	4800-OACV	\$12,209.00
4-ZW209LAZSH	4" Press Reduc Vlv Ang Body Cls Spd Ctrl Pos Indctr SS Hose	4800-OACV	\$12,782.00
4-ZW209LAZSHRV	4" Press Reduc Vlv Ang Body Cls Spd Ctrl Pos Indctr SS Hose Rev Pilot	4800-OACV	\$12,992.00
4-ZW209LGGGL	4" ZW209 Press Reduc Vlv Glb Body Cls Spd Ctrl IPS Grvd 15-150psi Liq Flld Gauge	4800-OACV	\$12,094.00
4-ZW209LGL	4" ZW209 P-Reduc Vlv Glb Body Cls Spd Ctrl ANSI 150 Flg 15-150psi Liq Flld Gauge	4800-OACV	\$12,802.00
4-ZW209LGRVGL	4" ZW209 Pres Red Vlv Glb Bdy Cls Spd Ctrl IPS Grvd 15-150psi Liq Flld Ga Rev Pil	4800-OACV	\$12,094.00
4-ZW209LHP	4" ZW209 P-Reduc Vlv Glb Body Cls Spd Ctrl ANSI 150 Flg 30-300psi	4800-OACV	\$13,721.00
4-ZW209LHPGL	4" ZW209 P-Reduc Vlv Glb Body Cls Spd Ctrl ANSI 150 Flg 30-300psi Liq Flld Gauge	4800-OACV	\$13,603.00
4-ZW209LHPRV	4" ZW209 Press Reduc Vlv Glb Body Cls Spd Ctrl ANSI 150 Flg 30-300psi Rev Pilot	4800-OACV	\$13,721.00
4-ZW209LP	4" ZW209 Press Reduc Vlv Glb Body ANSI 150 Flg SS seat 5-25psi Cpr Tube	4800-OACV	\$12,194.00
4-ZW209LR	4" ZW209 Press Reduc Vlv Cls Spd Ctrl Red Port ANSI 150 Flg 15-120psi	4800-OACV	\$12,272.00
4-ZW209LRZ	4" ZW209 Press Reduc Vlv Cls Spd Ctrl Red Port ANSI 150 Flg 15-150psi Pos. Ind.	4800-OACV	\$13,258.00
4-ZW209LSP	4" ZW209 Press Reduc Vlv Glb Body Cls Spd Ctrl ANSI 150 Flg SS seat SS Pilot	4800-OACV	\$17,884.00
4-ZW209LYGL	4" ZW209 P-Reduc Vlv Glb Body Cls Spd Ctrl ANSI 300 Flg 15-150psi Liq Flld Gauge	4800-OACV	\$14,809.00
4-ZW209LYHP	4" ZW209 Pr Red Vlv Glb Body Cls Spd Ctrl ANSI 300 Flg 30-300psi Cpr Tube	4800-OACV	\$14,668.00
4-ZW209LYZ	4" ZW209 Press Reduc Vlv Glb Body Cls Spd Ctrl ANSI 300 Flg Indctr 30-300psi	4800-OACV	\$13,195.00
4-ZW209LZSH	4" Press Reduc Cls Spd Ctrl Pos Indctr SS Hose	4800-OACV	\$13,121.00
4-ZW209-PILOT	PILOT ASSY, COMPLETE, ZW209	4800-OACV	\$1,903.00
4-ZW209PN16	4" ZW209 Press Reduc Vlv Glb Body ISO PN16 Flg SS seat 15-150psi Cpr Tube	4800-OACV	\$11,759.00
4-ZW209PN16HP	4" PRV ISO PN16 FLNG, HI PRESS PILOT	4800-OACV	\$11,975.00
4-ZW209Q	4" PRV W/SURGE CONTROL, 150# FLNG	4800-OACV	\$14,738.00
4-ZW209QCVHPGL	4" ZW209 Press Reduc w/Surge Vlv Glb Body w/chk SS seat 30-300psi Cpr Tube Liq Ga	4800-OACV	\$21,047.00
4-ZW209Q-PILOT	PILOT ASSY, COMPLETE, ZW209Q	4800-OACV	\$6,165.00
4-ZW209QY	4" ZW209 Press Reduc w/Surge Vlv Glb Body ANSI 300 Flg SS seat 15-120psi	4800-OACV	\$15,170.00
4-ZW209RHPRVGL	4" ZW209 Press Reduc Reduced Port ANSI 150 Flg SS seat 30-300psi Cpr Tube	4800-OACV	\$11,204.00
4-ZW209RLP	4" Press Reduc Reduc Port Vlv Glb Body ANSI 150 Flg 5-25psi	4800-OACV	\$10,051.00
4-ZW209RV	4" PRV 150# FLNG REVERSE PILOT	4800-OACV	\$11,762.00
4-ZW209RVGL	4" ZW209 Press Reduc Vlv Glb Bdy ANSI 150 F SS seat 15-150psi Liq Flld Gauge	4800-OACV	\$12,094.00
4-ZW209RVLP	4" Press Reduc Vlv Reduc Port Body ANSI 150 Flg Viton Rbr 5-25psi	4800-OACV	\$13,448.00
4-ZW209RYHPGL	4" ZW209 Press Reduc Reduc Port ANSI 300 Flg SS seat 30-300psi Liq Flld Gauge	4800-OACV	\$12,317.00
4-ZW209RYLPGL	4" Press Reduc Press Reduc Vlv Glb Body ANSI 300 Flg 5-25psi Liq Flld Gauge	4800-OACV	\$10,369.00
4-ZW209RYRV	4" ZW209 Press Reduc Reduc Port ANSI 300 Flg SS seat 15-150psi Cpr Tube Rev	4800-OACV	\$11,617.00
4-ZW209RZSP	4" ZW209 Press Reduc Reduc Port ANSI 150 Flg Indctr SS seat 15-150psi Cpr Tube	4800-OACV	\$16,078.00
4-ZW209SH	4" ZW209 Press Reduc Vlv Glb Body ANSI 150 Flg SS seat 15-150psi SS Hose	4800-OACV	\$11,930.00
4-ZW209SP	4" ZW209 Press Reduc Vlv Glb Body ANSI 150 Flg SS seat 15-150psi SS Pilotry	4800-OACV	\$17,122.00
4-ZW209SP-PILOT	Pilot Assy Stainless Steel Complete ZW209SP, any connection	4800-OACV	\$9,928.00
4-ZW209SPSH	4" ZW209 Press Red Vlv Glb Bdy ANSI 150 Flg SS seat 15-150psi SS Pilotry SS Hose	4800-OACV	\$17,122.00
4-ZW209VHP	4" ZW209 Press Reduc Vlv Glb Body ANSI 150 Flg SS seat Viton Rbr 30-300psi	4800-OACV	\$16,897.00
4-ZW209VHPGL	4" ZW209 P-Reduc Vlv Glb Body ANSI 150 Flg Viton Rbr 30-300psi Liq Flld Gauge	4800-OACV	\$17,232.00
4-ZW209VLPGL	4" ZW209 Press Reduc Vlv Glb Body ANSI 150 Flg SS seat 5-25psi Cpr Tube Viton	4800-OACV	\$12,868.00
4-ZW209Y	Pressure Reducing Valve, 300#, Flange x Flange	4800-OACV	\$14,024.00

4-ZW209YGL	4" Press Reduc Vlv Glb Body ANSI 300 Flg Liq Flld Gauge	4800-OACV	\$14,360.00
4-ZW209YHP	4" 300# FLNG, HI PRESS PILOT	4800-OACV	\$14,237.00
4-ZW209YHPGL	4" PRV 300# FLNG W/ HIGH PRESS, LIQ GAUGES	4800-OACV	\$14,574.00
4-ZW209YHPRV	4" PRV 300# FLNG, HI PRESS PILOT REV.	4800-OACV	\$14,237.00
4-ZW209YSPSH	4" ZW209 Press Redu Vlv Glb Body ANSI 300 Flg SS seat 15-150psi SS Pilot SS Hose	4800-OACV	\$17,107.00
4-ZW209YVHP	4" ZW209 Press Reduc Vlv Glb Body ANSI 300 Flg SS seat Viton Rbr 30-300psi	4800-OACV	\$19,168.00
4-ZW209YVHPGL	4" ZW209 Prs Rdc Vlv Glb Bdy ANSI 300 Flg SS seat 30-300psi Cpr Vtn Rbr Liq Gauge	4800-OACV	\$19,504.00
4-ZW209YZ	4" PRV 300# FLNG W/ POS IND.	4800-OACV	\$14,800.00
4-ZW209YZGL	4" ZW209 Press Reduc Vlv Glb Body ANSI 300 Flg Indicator Liq Flld Gauge	4800-OACV	\$15,143.00
4-ZW209Z	4" ZW209 Press Reduc Vlv Glb Body ANSI 150 Flg SS seat Indctr 15-150psi Cpr Tube	4800-OACV	\$12,541.00
4-ZW209ZGL	4" ZW209 Press Reduc Vlv Glb Body ANSI 150 Flg Indctr 15-120psi Liq Flld Gauge	4800-OACV	\$12,365.00
4-ZW209ZR	4" ZW209 Press Reduc Vlv Glb Body ANSI 150 Flg Indctr 15-150psi Rev Pilot	4800-OACV	\$12,293.00
4-ZW209ZSP	4" ZW209 Press Reduc Vlv Glb Body ANSI 150 Flg Indctr SS seat 15-150psi SS Pilot	4800-OACV	\$21,611.00
50-ZW209BPBSE	DN50 ZW209 Press Reduc Lo Flw Bypass Vlv Glb Body Tbl E Flg SS seat 15-150psi	4800-OACV	\$10,318.00
50-ZW209BPT	DN50 ZW209 Press Reduc Lo Flw Bypass Vlv Glb Body Fem BSPT SS seat 15-150psi	4800-OACV	\$10,515.00
50-ZW209BSE	DN50 ZW209 Press Reduc Vlv Glb Body Tbl E Flg SS seat 15-150psi Cpr Tube	4800-OACV	\$8,615.00
65-ZW209BPBSE	DN65 ZW209 Press Reduc Lo Flw Bypass Vlv Glb Body Tbl E Flg SS seat 15-150psi	4800-OACV	\$11,984.00
65-ZW209BSE	DN65 ZW209 Press Reduc Vlv Glb Body Tbl E Flg SS seat 15-150psi Cpr Tube	4800-OACV	\$8,810.00
6 ACVFCIS24NCP	FCS subassembly, 6" Solenoid Valve, Endpoint, Connector kits	4800-OACV	\$29,709.00
6 ACVFCIS24NCPRV	FCS subassembly, 6" Solenoid Valve-RV Pilot, Endpoint, Connector kits	4800-OACV	\$33,478.00
6 ACVFCIS24NOP	FCS subassembly, 6" Solenoid Valve, Endpoint, Connector kits	4800-OACV	\$26,766.00
6 ACVFCISG24NOP	FCS subassembly, 6" Solenoid Valve, Endpoint, Connector kits	4800-OACV	\$29,709.00
6 ACVFCISO24NOP	FCS subassembly, 6" Solenoid Valve, Endpoint, Connector kits	4800-OACV	\$60,216.00
6 ACVFCISZ4NCP	FCS subassembly, 6" Solenoid Valve, Endpoint, Connector kits	4800-OACV	\$61,339.00
6 ACVFCISZ4NOP	FCS subassembly, 6" Solenoid Valve, Endpoint, Connector kits	4800-OACV	\$30,872.00
6-ZW209	Pressure Reducing Valve, 150#, Flange x Flange	4800-OACV	\$18,365.00
6-ZW209A	6" ZW209 Press Reduc Vlv Ang Body ANSI 150 Flg SS seat 15-150psi Cpr Tube	4800-OACV	\$18,365.00
6-ZW209ASP	6" ZW209 Press Reduc Vlv Ang Body ANSI 150 Flg SS seat 15-150psi SS pilotry	4800-OACV	\$23,987.00
6-ZW209AY	6" ZW209 Press Reduc Vlv Ang Body ANSI 300 Flg SS seat 15-120psi Cpr Tube	4800-OACV	\$19,462.00
6-ZW209AZLPSPSH	6" ZW209 Press Reduc Vlv Ang Body ANSI 150 Flg Indctr 5-25psi SS pilotry SS Hose	4800-OACV	\$23,987.00
6-ZW209BPLRHPL	6" ZW209 Press Reduc Lo Flw Bypass Reduc Port w/Check Opn Cls Spd 30-300psi Liq	4800-OACV	\$20,028.00
6-ZW209BPLRZGL	6" ZW209 Press Reduc Lo Flw Bypass Reduc Port ANSI 150 Flg SS seat 15-150psi	4800-OACV	\$18,436.00
6-ZW209BPCR	6" ZW209 P-Reduc Lo Flw Bypass Reduc Port w/Chk ANSI 150 Flg SS seat 15-150psi	4800-OACV	\$18,301.00
6-ZW209BPEX	6" ZW209 Press Reduc Lo Flw Bypass Vlv Glb Body ANSI 150 Flg SS seat 15-150psi	4800-OACV	\$16,985.00
6-ZW209BPLR	6" ZW209 Press Reduc Lo Flw Bypass Reduc Port ANSI 150 Flg SS seat 15-150psi	4800-OACV	\$14,950.00
6-ZW209BPLRGL	6" ZW209 Pr Redu Lo Flw Bypas Cls Spd Ctr Redu Port ANSI 150 Flg 15-120psi Liq G	4800-OACV	\$15,270.00
6-ZW209BPR	6" ZW209 Press Reduc Lo Flw Bypass Reduc Port ANSI 150 Flg SS seat 15-150psi	4800-OACV	\$18,301.00
6-ZW209BPRHP	6" ZW209 Press Reduc Lo Flw Bypass Reduc Port ANSI 150 Flg 30-300psi	4800-OACV	\$18,514.00
6-ZW209BPRHPRV	6" ZW209 Pr Reduc Lo Flw Bypas Reduc Port ANSI 150 Flg 30-300psi Rev Pilot	4800-OACV	\$18,514.00
6-ZW209BPRHPSPRV	6" ZW209 Prs Redu Lo Flw Bypass Red Port ANSI 150 Flg 30-300psi SS Pilotry Rev	4800-OACV	\$24,725.00
6-ZW209BPRRV	6" ZW209 Pres Reduc Lo Flw Bypass Reduc Port ANSI 150 Flg 15-120psi Rev Pilot	4800-OACV	\$18,301.00
6-ZW209BPRSHRV	6" ZW209 Pr Red Lo Flw Bypas Redu Port ANSI 150 Flg 15-120psi SS Hoses Rev Pilot	4800-OACV	\$18,301.00
6-ZW209BPRSP	6" ZW209 Pr Red Lo Flw Bypass Red Port ANSI 150 Flg SS seat 15-120psi, SS Pilotry	4800-OACV	\$32,567.00
6-ZW209BPRY	6" ZW209 Press Reduc Lo Flw Bypass Reduc Port ANSI 300 Flg SS seat 15-120psi	4800-OACV	\$18,301.00
6-ZW209BPRZ	6" ZW209 Press Reduc Lo Flw Bypass Reduc Port ANSI 150 Flg 15-150psi Pos. Ind	4800-OACV	\$19,203.00
6-ZW209BPRZGL	6" ZW209 Pres Red Lo Flw Bypa Red Port ANSI 150 Flg 15-120psi Pos. Ind Liq Gau	4800-OACV	\$19,524.00
6-ZW209BPRZHP	6" ZW209 Press Reduc Lo Flw Bypass Reduc Port ANSI 150 Flg Indctr 30-300psi	4800-OACV	\$19,416.00
6-ZW209BSE	6" PRV BS10 TABLE E FLG	4800-OACV	\$18,365.00
6-ZW209BSEGL	6" ZW209 Press Reduc Vlv Glb Body Tbl E Flg SS seat 15-150psi Liq Flld Gauge	4800-OACV	\$18,705.00
6-ZW209C	6" ZW209 Press Reduc Vlv Glb Body w/Check ANSI 150 Flg SS seat 15-150psi	4800-OACV	\$19,131.00
6-ZW209CGL	6" ZW209 Press Reduc Vlv Glb Bdy w/Check ANSI 150 Flg SS seat 15-150psi Liq Gage	4800-OACV	\$19,514.00
6-ZW209CHP	6" ZW209 Press Reduc Vlv Glb Body ANSI 150 Flg SS seat 30-300psi Cpr Tube w/chk	4800-OACV	\$19,335.00
6-ZW209CL	6" ZW209 Press Reduc Vlv Glb Body w/Check Cls Spd Ctr ANSI 150 Flg SS seat	4800-OACV	\$18,344.00
6-ZW209CLOHP	6" ZW209 Press Reduc Vlv Glb Body w/Check Opn Cls Spd ANSI 150 Flg 30-300psi	4800-OACV	\$19,399.00

6-ZW209CLOSP	6" ZW209 Press Reduc Vlv GIB Body w/Check Opn Cls Spd ANSI 150 Flg 15-150psi	4800-OACV	\$24,396.00
6-ZW209CLOWHSPSP	6" P-Reduc GIB Bdy w/Chk Opn Cls Spd ANSI 150 Flg SS seat Viton Rbr Indctr	4800-OACV	\$29,619.00
6-ZW209CLOYHP	6" ZW209 Press Reduc Vlv GIB Body w/Check Opn Cls Spd ANSI 300 Flg 30-300psi	4800-OACV	\$23,934.00
6-ZW209CLOZGL	6" ZW209 Press Reduc Vlv GIB Body w/Check Cls/Opn Spd Ctrl ANSI 150 Flg SS seat	4800-OACV	\$19,984.00
6-ZW209CLOZHPLG	6" P-Reduc GIB Bdy w/Chk Opn Cls Spd ANSI 150 Flg SS seat Indctr Liq Gage	4800-OACV	\$19,785.00
6-ZW209CLOZLPLG	6" P-Reduc GIB Bdy w/Chk Opn Cls Spd ANSI 150 Flg SS seat Indctr Liq Gage	4800-OACV	\$20,296.00
6-ZW209CLOZSP	6" ZW209 P-Reduc Vlv GIB Body w/Check Opn Cls Spd ANSI 150 Flg Indctr 15-150psi	4800-OACV	\$25,293.00
6-ZW209CLZ	6" ZW209 Press Reduc Vlv GIB Body w/Chk Cls Spd Ctr ANSI 150 Flg SS seat Indctr	4800-OACV	\$18,722.00
6-ZW209CLZLPLG	6" P-Reduc GIB Bdy w/Chk Cls Spd Ctrl ANSI 150 Flg SS seat Indctr Liq Gage	4800-OACV	\$23,937.00
6-ZW209COR	6" ZW209 P-Reduc Vlv Red Port Opn Spd Ctrl ANSI 150 Flg SS seat 15-150psi w/Chk	4800-OACV	\$12,879.00
6-ZW209CR	6" ZW209 Press Reduc Reduc Port ANSI 150 Flg SS seat 15-150psi Cpr Tube w/ Chk	4800-OACV	\$12,449.00
6-ZW209CRV	6" ZW209 Press Rdc Vlv GIB Bdy w/Check ANSI 150 Flg SS seat 15-150psi RevPilot	4800-OACV	\$17,921.00
6-ZW209CRVGL	6" ZW209 Press Rdc Vlv GIB Bdy w/Check ANSI 150 Flg SS seat 15-150psi Rev Liq Gg	4800-OACV	\$16,091.00
6-ZW209E24NC	6" ZW209 Press Reduc w/Sind Vlv GIB Body ANSI 150 Flg 15-150psi NrmCsd 24vac	4800-OACV	\$20,204.00
6-ZW209E24NO	6" ZW209 Press Reduc w/Sind Vlv GIB Body ANSI 150 Flg 15-150psi NrmOpn 24vac	4800-OACV	\$20,204.00
6-ZW209ECL24NO	6" P-Reduc w/Sind GIB Bdy w/Chk Cls Spd Ctrl ANSI 150 Flg SS seat NrmOpn 24vac	4800-OACV	\$20,002.00
6-ZW209ENC	6" ZW209 Press Reduc w/Sind Vlv GIB Body ANSI 150 Flg 15-150psi NrmCsd 120v	4800-OACV	\$20,204.00
6-ZW209ENO	6" PRV 120VAC NORM OPN SLND 150# FLNG	4800-OACV	\$20,204.00
6-ZW209ENO-PILOT	PILOT ASSY. COMPLETE, ZW209ENO	4800-OACV	\$7,407.00
6-ZW209ENS	6" ZW209 Press Reduc w/Sind Vlv GIB Body ANSI 150 Flg 15-150psi NonStd Volt	4800-OACV	\$17,936.00
6-ZW209EO24NCMO	6" ZW209 Press Reduc w/Sind Vlv GIB Body ANSI 150 Flg 15-150psi NrmCsd Man Oper	4800-OACV	\$19,724.00
6-ZW209EX	6" ZW209 Press Reduc Vlv GIB Body ANSI 150 Flg SS seat 15-150psi Cpr Tube	4800-OACV	\$16,080.00
6-ZW209EXPN16RV	6" ZW209 Press Reduc Vlv GIB Body PN16 Flg SS seat 15-150psi Cpr Tube Rev.	4800-OACV	\$16,082.00
6-ZW209EXY	6" ZW209 Press Reduc Vlv GIB Body ANSI 300 Flg SS seat Cpr Tube	4800-OACV	\$24,768.00
6-ZW209EXYHPRV	6" ZW209 Press Reduc Vlv GIB Body ANSI 300 Flg SS seat 30-300psi Rev Pilot	4800-OACV	\$24,042.00
6-ZW209FPAGHP	6" ZW209 Press Red Fire Vlv Ang Bdy Grooved SS seat 30-300psi Cpr Tube	4800-OACV	\$20,663.00
6-ZW209FPAGRV	6" ZW209 Press Redu Fire Vlv Ang Bdy Grooved SS seat 15-150psi Cpr Tube Rev Pilo	4800-OACV	\$15,951.00
6-ZW209FPAGSP	6" ZW209 Press Reduc Fire Vlv Ang Bdy IPS Grvd SS seat 15-150psi SS Pilot	4800-OACV	\$23,641.00
6-ZW209FPAYHP	6" ZW209 Press Reduc Fire Vlv Ang Bdy ANSI 300 Flg SS seat 30-300psi Cpr Tube	4800-OACV	\$22,122.00
6-ZW209FPBSE	6" ZW209 Press Reduc Fire Vlv GIB Body Tbl E Flg SS seat 15-150psi Cpr Tube	4800-OACV	\$20,605.00
6-ZW209FPCAGRV	6" ZW209 Press Redu Fire Vlv Ang Bdy w/check IPS Grvd 15-150psi Cpr Tube Rev Pil	4800-OACV	\$16,073.00
6-ZW209FPCG	6" ZW209 Press Reduc Fire Vlv GIB Body w/Check IPS Grvd SS seat 15-150psi	4800-OACV	\$19,099.00
6-ZW209FPCGZ	6" ZW209 Pr Reduc Fire Vlv GIB Bdy w/Check IPS Grv SS seat 15-150psi Post Indctr	4800-OACV	\$20,002.00
6-ZW209FPCGZ2	6" ZW209 Pr Red Fire Vlv GIB Bdy w/Check IPS Grv SS seat 15-150psi SS Post Indctr	4800-OACV	\$20,002.00
6-ZW209FPCGZ2SP	6" ZW209 Pr Red Fire Vlv GIB Bd w/Chk IPS Grv SS seat 15-150psi SS Po Ind SS Pil	4800-OACV	\$25,310.00
6-ZW209FPCGZRV	6" ZW209 P-Reduc Fire Vlv GIB Bdy w/Check IPS Grv 15-150psi Post Indctr Rev Pilot	4800-OACV	\$20,002.00
6-ZW209FPCX	6" ZW209 Press Reduc Fire Vlv GIB Body w/Check ANSI 150 Flg SS seat 15-150psi	4800-OACV	\$19,099.00
6-ZW209FPCXHP	6" ZW209 Press Reduc Fire Vlv GIB Body w/Check ANSI 150 Flg SS seat 30-300psi	4800-OACV	\$20,517.00
6-ZW209FPCYHP	6" ZW209 Press Reduc Fire Vlv GIB Body w/Check ANSI 300 Flg SS seat 30-300psi	4800-OACV	\$21,429.00
6-ZW209FPGHP	6" ZW209 Press Reduc Fire Vlv GIB Body IPS Grvd SS seat 30-300psi Cpr Tube	4800-OACV	\$23,504.00
6-ZW209FPGHPRV	6" ZW209 Press Reduc Fire Vlv GIB Body IPS Grvd SS seat 30-300psi Cpr Tube Rev.	4800-OACV	\$20,669.00
6-ZW209FPGHPS	6" ZW209 Press Reduc Fire Vlv GIB Body IPS Grvd SS seat 30-300psi SS Pilot	4800-OACV	\$24,969.00
6-ZW209FPGRV	6" ZW209 Press Reduc Fire Vlv GIB Body IPS Grvd SS seat 50-165psi Rev Pilot	4800-OACV	\$19,625.00
6-ZW209FPGSP	6" ZW209 Press Reduc Fire Vlv GIB Body IPS Grvd SS seat 15-150psi SS Pilot	4800-OACV	\$23,641.00
6-ZW209FPGST	6" ZW209 Press Reduc Fire Vlv GIB Body IPS Grvd SS seat 15-150psi ST Tube	4800-OACV	\$21,528.00
6-ZW209FP-PILOT	Pilot Assy. Complete Fire PRV ZW209FP "Any Connection"	4800-OACV	\$3,881.00
6-ZW209FPPN16	6" ZW209 Press Reduc Fire Vlv GIB Body ISO PN16 Flg SS seat 15-150psi Cpr Tube	4800-OACV	\$20,605.00
6-ZW209FPPXHPSP	6" ZW209 Press Reduc Fire Vlv GIB Body IPS Grvd SS seat 30-300psi SS Pilot	4800-OACV	\$25,162.00
6-ZW209FPPXRV	6" ZW209 Press Reduc Fire Vlv GIB Body ANSI 150 Flg SS seat 15-150psi Rev Pilot	4800-OACV	\$19,625.00
6-ZW209FPPXSP	6" ZW209 Press Reduc Fire Vlv GIB Body ANSI 150 Flg SS seat 15-150psi SS Pilot	4800-OACV	\$23,439.00
6-ZW209FPPYHP	6" ZW209 Press Reduc Fire Vlv GIB Body ANSI 300 Flg SS seat 30-300psi Cpr Tube	4800-OACV	\$20,663.00
6-ZW209FPPYHPRV	6" ZW209 Press Reduc Fire Vlv GIB Body ANSI 300 Flg SS seat 30-300psi Cpr Tube Rev	4800-OACV	\$20,669.00

6-ZW209FPYRV	6" ZW209 Press Reduc Fire Vlv GIB Body ANSI 300 Flg SS seat 15-150psi Rev Pilot	4800-OACV	\$20,605.00
6-ZW209G	Pressure Reducing Valve, 300#, Grooved x Grooved	4800-OACV	\$18,365.00
6-ZW209GGL	6" ZW209 Press Reduc Vlv GIB Body IPS Grvd SS seat 15-150psi Liq Flld Gauge	4800-OACV	\$18,340.00
6-ZW209GHP	6" PRV GROOVED, HI PRESS PILOT	4800-OACV	\$18,578.00
6-ZW209GHPGL	6" ZW209 Press Reduc Vlv GIB Body IPS Grvd SS seat 30-300psi Liq Flld Gauge	4800-OACV	\$17,676.00
6-ZW209GHPRV	6" PRV GROOVED, HIGH PRESSURE REV PILOT	4800-OACV	\$18,008.00
6-ZW209GL	6" PRV 150# FLNG W/ LIQ GAUGES	4800-OACV	\$18,705.00
6-ZW209GRVGL	6" ZW209 Press Reduc Vlv GIB Body IPS Grvd 15-150psi Rev Pilot Liq Flld Gauge	4800-OACV	\$18,705.00
6-ZW209H	Pressure Reducing Valve / Pressure Sustaining Function, Class 150, Flanged x Flanged	4800-OACV	\$18,636.00
6-ZW209HCSLP2	6" ZW209 Press Reduc Prss Sust Vlv GIB Body w/Chk ANSI 150 Flg 15-120psi Cpr Tube	4800-OACV	\$23,008.00
6-ZW209HGL	6" ZW209 Pr Red/Sust Vlv GIB Bdy ANSI 150Flg Red 15-120psi Sus 50-200psi Liq Gau	4800-OACV	\$18,957.00
6-ZW209HHHPH	6" Press Reduc Prss Sust Vlv GIB Body IPS ANSI 150 Flg 30-300psi 150-300psi	4800-OACV	\$21,455.00
6-ZW209HHPSGL	6" Press Reduc Prss Sust Vlv GIB Body IPS ANSI 150 Flg 30-300psi, 50-200psi Liq.	4800-OACV	\$20,356.00
6-ZW209HLO	6" ZW209 Press Reduc Prss Sust Vlv GIB Body ANSI 150 Flg SS seat Cls Spd Ctrl &	4800-OACV	\$18,912.00
6-ZW209HLOSPLG	6" ZW209 Press Reduc Prss Sust Vlv GIB Body ANSI 150 Flg Cls/Opn Spd Ctrl Liq Gau	4800-OACV	\$20,446.00
6-ZW209HLOSPLSP	6" ZW209 Pre Redu Prss Sust Vlv GIB Body ANSI 150 Flg Cls/Op Spd Ctrl SS Pilotry	4800-OACV	\$24,808.00
6-ZW209HPLP3GL	6" Pres Red Prs Sust Vlv GIB Bdy ANSI150Flg 5-25psi,5-15psi Pi SS seat CuTb Liq	4800-OACV	\$20,229.00
6-ZW209HP	6" PRV 150# FLNG, HI PRESS PILOT	4800-OACV	\$17,376.00
6-ZW209HPGL	6" ZW209 Press Reduc Vlv GIB Body ANSI 150 Flg SS seat 30-300psi Liq Flld Gauge	4800-OACV	\$17,676.00
6-ZW209H-PILOT	PILOT ASSY. COMPLETE, ZW209H	4800-OACV	\$10,023.00
6-ZW209HPRV	6" PRV 150# FLNG, HI PRESS PILOT REV.	4800-OACV	\$18,578.00
6-ZW209HPRVGL	6" ZW209 Press Reduc Vlv GIB Body ANSI 150 Flg SS seat 30-300psi Liq Flld Gauge	4800-OACV	\$18,891.00
6-ZW209HPSP	6" ZW209 Press Reduc Vlv GIB Body ANSI 150 Flg SS seat 30-300psi SS Pilotry	4800-OACV	\$22,379.00
6-ZW209HRHPLP	6" Press Reduc Reduc Port Prss Sust Vlv GIB Bdy ANSI 150 Flg 30-300psi, 30-90psi	4800-OACV	\$15,501.00
6-ZW209HSLP	6" ZW209 Press Reduc Prss Sust Vlv GIB Body ANSI 150 Flg SS seat Cpr Tube	4800-OACV	\$22,242.00
6-ZW209HSLP2	6" ZW209 Press Reduc Prss Sust Vlv GIB Body ANSI 150 Flg SS seat Cpr Tube	4800-OACV	\$22,242.00
6-ZW209HSLPLG	6" ZW209 Press Reduc Prss Sust Vlv GIB Body ANSI 150 Flg SS seat Cpr Tube Liq Fl	4800-OACV	\$19,590.00
6-ZW209L	6" ZW209 Press Reduc Vlv GIB Body Cls Spd Ctrl ANSI 150 Flg SS seat 15-150psi	4800-OACV	\$18,818.00
6-ZW209LHPRV	6" ZW209 Press Reduc Vlv GIB Body Cls Spd Ctrl ANSI 150 Flg 30-300psi Rev Pilot	4800-OACV	\$18,113.00
6-ZW209LO	6" ZW209 Press Reduc Vlv GIB Body Opn Cls Spd ANSI 150 Flg SS seat 15-150psi	4800-OACV	\$18,008.00
6-ZW209LOHPSHGL	6" ZW209 Press Reduc Vlv GIB Body ANSI 150 Flg Cls/Open Spd Ctrl SS seat 30-300p	4800-OACV	\$17,170.00
6-ZW209LOR	6" ZW209 Prss Red Vlv Port Opn Cls Spd ANSI 150 Flg SS seat 15-150psi Cpr Tube	4800-OACV	\$23,477.00
6-ZW209LORV	6" ZW209 Press Reduc Vlv GIB Body Opn Cls Spd ANSI 150 Flg 15-120psi Rev Pilot	4800-OACV	\$18,008.00
6-ZW209LOVZHPGL	6" ZW209 Press Reduc Vlv GIB Bdy Opn Cls Spd ANSI 300 Flg Indctr 30-300 Lq Gauge	4800-OACV	\$24,409.00
6-ZW209LOZ	6" ZW209 Press Reduc Vlv GIB Body Opn Cls Spd ANSI 150 Flg Indctr SS seat 15-150	4800-OACV	\$18,904.00
6-ZW209LOZSP	6" ZW209 Press Reduc Vlv GIB Bdy Opn Cls Spd ANSI 150 Flg Indctr 15-150 SS Pilot	4800-OACV	\$25,145.00
6-ZW209LP	6" ZW209 Press Reduc Vlv GIB Body ANSI 150 Flg SS seat 5-25 psi Cpr Tube	4800-OACV	\$17,800.00
6-ZW209LPGL	6" ZW209 Press Reduc Vlv GIB Body ANSI 150 Flg SS seat 5-25 psi Cpr Tube Liq. Gg	4800-OACV	\$17,617.00
6-ZW209LPRVGL	6" ZW209 Press Reduc Vlv GIB Body ANSI 150 Flg SS seat 5-25 psi Rev Pilot Liq Gg	4800-OACV	\$19,392.00
6-ZW209LYZHP	6" PRV 300# FLNG, W/ CLS SPD, POS IND, HIGH PRESS	4800-OACV	\$23,999.00
6-ZW209LZ	6" ZW209 Press Reduc Vlv Cls Spd Ctrl ANSI 150 Flg SS seat 15-150psi Pos. Ind.	4800-OACV	\$17,978.00
6-ZW209LZGL	6" P-Reduc GIB Bdy Cls Spd Ctrl ANSI 150 Flg SS seat Indctr Liq Gage	4800-OACV	\$18,797.00
6-ZW209O	6" PRV 150# FLNG W/ OPN SPED CTRL	4800-OACV	\$18,819.00
6-ZW209OA	6" ZW209 Press Reduc Ang Bdy ANSI 150 Flg Opn Spd Ctrl 15-120psi	4800-OACV	\$17,684.00
6-ZW209OAGL	6" ZW209 Press Reduc Ang Bdy ANSI 150 Flg Opn Spd Ctrl 15-120psi Liq Flld Gauge	4800-OACV	\$19,138.00
6-ZW209OAHPLG	6" ZW209 Press Reduc Ang Bdy ANSI 150 Flg Opn Spd Ctrl 30-300psi Liq Flld Gauge	4800-OACV	\$18,569.00
6-ZW209OG	6" PRV GROOVED W/ OPN SPED CTRL	4800-OACV	\$18,819.00
6-ZW209OGHP	6" ZW209 Press Reduc Vlv GIB Body Opn Spd Ctrl IPS Grvd SS seat 30-300psi	4800-OACV	\$20,472.00
6-ZW209OHP	6" ZW209 Press Reduc Vlv GIB Body Opn Spd Ctrl ANSI 150 Flg SS seat 30-300psi	4800-OACV	\$20,323.00
6-ZW209ORV	6" ZW209 Press Red V GIB Body Opn Spd Ctrl ANSI 150 Flg SS seat 15-150psi Rev Pil	4800-OACV	\$18,818.00
6-ZW209OSP	6" ZW209 Press Reduc Vlv GIB Body Opn Spd Ctrl ANSI 150 Flg 150psi SS Pilotry	4800-OACV	\$22,886.00
6-ZW209OYHP	6" ZW209 Press Reduc Vlv GIB Body Opn Spd Ctrl ANSI 300 Flg SS seat 30-300psi	4800-OACV	\$21,859.00
6-ZW209OZ	6" ZW209 Press Reduc Vlv GIB Body Opn Spd Ctrl ANSI 150 Flg Pos Indctr 15-120psi	4800-OACV	\$19,722.00
6-ZW209-PILOT	PILOT ASSY. COMPLETE, ZW209	4800-OACV	\$3,755.00
6-ZW209PN16	6" ZW209 Press Reduc Vlv GIB Body ISO PN16 Flg SS seat 15-150psi Cpr Tube	4800-OACV	\$18,159.00
6-ZW209PN16HP	6" ZW209 Press Reduc Vlv GIB Body ISO PN16 Flg SS seat 30-300psi Cpr Tube	4800-OACV	\$17,030.00

6-ZW209Q	6" ZW209 Press Reduc w/Surge Vlv GIB Body ANSI 150 Flg SS seat 15-150psi	4800-OACV	\$19,952.00
6-ZW209QCLHOPSP	6" ZW209 Press Reduc w/Surge GIB Body W/check, closing spd ctrl 30-300psi SS Pl	4800-OACV	\$25,683.00
6-ZW209QG	6" ZW209 Press Reduc w/Surge Vlv GIB Body IPS Grvd SS seat 15-150psi Cpr Tube	4800-OACV	\$19,950.00
6-ZW209QHP	6" ZW209 Press Reduc w/Surge Vlv GIB Body ANSI 150 Flg SS seat 30-300psi	4800-OACV	\$21,367.00
6-ZW209QL	6" ZW209 Press Reduc w/Surge Vlv GIB Body ANSI 150 Flg Spd Cntrl SS seat 15-150psi	4800-OACV	\$20,377.00
6-ZW209QRV	6" ZW209 Press Reduc w/Surge Vlv GIB Body ANSI 150 Flg SS seat 15-150psi Rev Pil	4800-OACV	\$19,952.00
6-ZW209RGL	6" ZW209 Press Reduc Reduc Port ANSI 150 Flg SS seat 15-150psi Liq Fild Gauge	4800-OACV	\$14,731.00
6-ZW209RHPSP	6" ZW209 Press Reduc Reduc Port ANSI 150 Flg SS seat 30-300psi SS Pilotry	4800-OACV	\$18,199.00
6-ZW209RLZ	6" ZW209 PR Reduc Port Cls Spd Ctrl ANSI 150 Flg SS seat 15-150psi Flg Indctr	4800-OACV	\$13,923.00
6-ZW209RV	6" PRV 150# FLNG REVERSE PIOT	4800-OACV	\$18,365.00
6-ZW209RVGL	6" ZW209 Press Reduc Vlv GIB Body ANSI 150 Flg SS seat 15-150psi Rev Pilot. Liq	4800-OACV	\$17,477.00
6-ZW209RY	6" ZW209 Press Reduc Reduc Port ANSI 300 Flg SS seat 15-120psi Cpr Tube	4800-OACV	\$12,888.00
6-ZW209RYZLPSPSH	6" ZW209 Pre Red Vlv Red Port Bdy ANSI 300 Flg SS w/Pos Ind 5-25psi SS Pil Liq G	4800-OACV	\$21,996.00
6-ZW209SH	6" ZW209 Press Reduc Vlv GIB Body ANSI 150 Flg SS seat 15-150psi SS Hose	4800-OACV	\$18,549.00
6-ZW209SP	6" ZW209 Press Reduc Vlv GIB Body ANSI 150 Flg SS seat 15-150psi SS Pilotry	4800-OACV	\$22,575.00
6-ZW209SP-PILOT	Pilot Assy Stainless Steel Complete 6" ZW209SP, any connection	4800-OACV	\$10,166.00
6-ZW209SPSHRV	6" ZW209 Press Reduc Vlv GIB Body ANSI 150 Flg SS seat 15-150psi Rev Pilot	4800-OACV	\$22,951.00
6-ZW209Y	Pressure Reducing Valve, 300#, Flange x Flange	4800-OACV	\$20,915.00
6-ZW209YGL	6" ZW209 Press Reduc Vlv GIB Body ANSI 300 Flg SS seat 15-150psi Liq Fild Gauge	4800-OACV	\$21,227.00
6-ZW209YHP	6" PRV 300# FLNG, HI PRESS PILOT	4800-OACV	\$21,115.00
6-ZW209YHPGL	6" PRV 300# FLNG W/ HIGH PRESS, LIQ GAUGES	4800-OACV	\$21,429.00
6-ZW209YHPRV	6" PRV 300# FLNG, HI PRESS PILOT REV.	4800-OACV	\$21,115.00
6-ZW209Z	6" ZW209 Press Reduc Vlv GIB Body ANSI 150 Flg Indctr 15-150psi	4800-OACV	\$19,326.00
6-ZW209ZGL	6" ZW209 Press Reduc Vlv GIB Body ANSI 150 Flg Indctr 15-150psi Liq Fild Gauge	4800-OACV	\$18,374.00
6-ZW209ZSHGL	6" ZW209 Press Reduc Vlv GIB Body ANSI 150 Flg Indctr 15-120psi SS Hose Liq Gauge	4800-OACV	\$19,772.00
80 ZW209BPBSE	DN80 ZW209 Press Reduc Lo Flw Bypass Vlv GIB Body Tbl E Flg SS seat 15-150psi	4800-OACV	\$12,136.00
80 ZW209BSE	DN80 ZW209 Press Reduc Vlv GIB Body Tbl E Flg SS seat 15-150psi Cpr Tube	4800-OACV	\$8,880.00
8-10-ZPIST	POSITION INDICATOR 8" - 10" ZW200 SS	4800-OACV	\$4,112.00
8-ZW209	Pressure Reducing Valve, 150#, Flange x Flange	4800-OACV	\$28,704.00
8-ZW209A	8" ZW209 Press Reduc Vlv Ang Body ANSI 150 Flg SS seat 15-150psi Cpr Tube	4800-OACV	\$28,704.00
8-ZW209AHPGL	8" ZW209 Press Reduc Vlv Ang Bdy ANSI 150 Flg SS seat 30-300psi Liq Gauge	4800-OACV	\$30,438.00
8-ZW209BSE	8" PRV BS10 TABLE E FLG	4800-OACV	\$28,704.00
8-ZW209C	8" ZW209 Press Reduc Vlv GIB Body ANSI 150 Flg SS seat 15-150psi w/Hyd Check	4800-OACV	\$29,469.00
8-ZW209CAZGL	8" ZW209 Press Red V Ang Bdy ANSI 150 Flg 15-150psi w/ Check Indctr LiqFildGauge	4800-OACV	\$28,461.00
8-ZW209CGHPRVGL	8" ZW209 PR Red Vlv GIB Bdy w/Chk IPS Grvd SS seat 30-300psi Rev Pil LiqFild Gau	4800-OACV	\$29,980.00
8-ZW209CGL	8" ZW209 Press Reduc Vlv GIB Body w/Check ANSI 150 Flg 15-150psi Liq. gauge	4800-OACV	\$31,864.00
8-ZW209CLOZ	8" ZW209 Press Reduc Vlv GIB Bdy 15-150psi W/Check Cls/Opn SpdCtrl and Pos Ind	4800-OACV	\$34,095.00
8-ZW209CLRv	8" ZW209 Press Reduc Vlv GIB Body ANSI 150 Flg 15-150psi w/Hyd Check ClsSpdCtrl R	4800-OACV	\$28,733.00
8-ZW209CLYHPSPSH	8" ZW209 PR Red Vlv GIB Bdy w/Ch Cls Spd Ctrl ANSI 300 Flg SS seat 30-300psi Cpr	4800-OACV	\$40,826.00
8-ZW209CSPRV	8" ZW209 Press Red V GIB Body w/Chk ANSI 150 Flg SS seat 15-150psi SS Pilot Rev	4800-OACV	\$34,563.00
8-ZW209CZGL	8" ZW209 Press Reduc Vlv GIB Body w/Check ANSI 150 Flg w/ Posi Indctr Liq Gauge	4800-OACV	\$33,402.00
8-ZW209ECLDZSPNOMO	P-Reduc w/Sind GIB Bdy w/Chk Opn Cls Spd ANSI 150 Flg Indctr NrmOpn 120v ManOp	4800-OACV	\$37,958.00
8-ZW209EONOMO	8" Press Reduc w/Sind GIB Bdy Opn Spd ANSI 150 Flg Indctr NrmOpn 120v ManOp	4800-OACV	\$30,219.00
8-ZW209EX	8" ZW209 Press Reduc Vlv GIB Body ANSI 150 Flg SS seat 15-150psi Cpr Tube	4800-OACV	\$30,041.00
8-ZW209FFPG	8" Press Reduc Fire w/Hyd Check IPS Grvd	4800-OACV	\$31,531.00
8-ZW209FFPGHP	8" Press Reduc Fire w/Hyd Check IPS Grvd30-300psi	4800-OACV	\$31,893.00
8-ZW209FFPGHPRV	8" Press Reduc Fire w/Hyd Check IPS Grvd30-300psi Revrse Pilot	4800-OACV	\$30,185.00
8-ZW209FFPGZ	8" ZW209 Press Reduc Fire Vlv GIB Body IPS Grvd SS seat w/Hyd Check Indctr	4800-OACV	\$31,009.00
8-ZW209FFPCX	8" Press Reduc Fire w/Hyd Check ANSI Class 150 Flng	4800-OACV	\$30,418.00
8-ZW209FFPCY	8" Press Reduc Fire w/Hyd Check ANSI Class 300 Flng	4800-OACV	\$30,418.00
8-ZW209FFPGHP	8" ZW209 Press Reduc Fire Vlv GIB Body IPS Grvd SS seat 30-300psi Cpr Tube	4800-OACV	\$30,125.00
8-ZW209FFPGHPRV	8" ZW209 Press Red Fire V GIB Bdy IPS Grvd SS seat 30-300psi Cpr Tube RevPilot	4800-OACV	\$31,070.00
8-ZW209FFPGRV	8" ZW209 Press Reduc Fire Vlv GIB Body IPS Grvd SS seat 15-150psi Rev Pilot	4800-OACV	\$28,716.00
8-ZW209FFPGST	8" ZW209 Press Reduc Fire Vlv GIB Body IPS Grvd SS seat 15-150psi Cpr Tube SS PI	4800-OACV	\$28,497.00
8-ZW209FFPGZ	8" ZW209 Press Redc Fire Vlv GIB Bdy IPS Grv SS seat 50-165psi Cpr Tube Pst Ind	4800-OACV	\$30,253.00
8-ZW209FF-PILOT	Pilot Assy, Complete Fire PRV ZW209FF "Any Connection"	4800-OACV	\$5,381.00
8-ZW209FFPN16	8" ZW209 Press Reduc Fire Vlv GIB Body ISO PN16 Flg SS seat 15-150psi Cpr Tube	4800-OACV	\$29,657.00

8-ZW209FPXHPSP	8" ZW209 Press Reduc Fire Vlv GIB Body ANSI 150 Flg SS seat 30-300psi SS Pilot	4800-OACV	\$34,064.00
8-ZW209FPXRV	8" ZW209 Press Reduc Fire Vlv GIB Body ANSI 150 Flg SS seat 15-150psi Rev Pilot	4800-OACV	\$28,716.00
8-ZW209FPXSP	8" ZW209 Press Reduc Fire Vlv GIB Body ANSI 150 Flg SS seat 15-150psi SS Pilot	4800-OACV	\$33,814.00
8-ZW209FPXZ	8" ZW209 Press Reduc Fire Vlv GIB Body ANSI 150 Flg SS seat Indctr 15-150psi	4800-OACV	\$29,812.00
8-ZW209FPXZSP	8" ZW209 Press Redu Fire Vl GIB Bdy ANSI 150 Flg SS seat 15-150psi SS Pilot w/ PI	4800-OACV	\$35,765.00
8-ZW209FPYHP	8" ZW209 Press Reduc Fire Vlv GIB Body ANSI 300 Flg SS seat 30-300psi Cpr Tube	4800-OACV	\$29,657.00
8-ZW209G	Pressure Reducing Valve, 300#, Grooved x Grooved	4800-OACV	\$28,704.00
8-ZW209GHP	8" ZW209 Press Reduc Vlv GIB Body IPS Grvd SS seat 30-300psi	4800-OACV	\$30,110.00
8-ZW209GHPGL	8" PRV GRVD, HI PRESS PILOT, LIQ GAUGES	4800-OACV	\$29,214.00
8-ZW209GRVGL	8" ZW209 Press Reduc Vlv GIB Body IPS Grvd 15-150psi Rev Pilot Liq Fild Gauge	4800-OACV	\$29,016.00
8-ZW209HLO	8" ZW209 Press Reduc Prss Sust Vlv GIB Body ANSI 150 Flg Cls/Opn Spd Ctrl	4800-OACV	\$32,222.00
8-ZW209HLOSP	8" ZW209 Press Reduc Prss Sust Vlv GIB Body ANSI 150 Flg Cls/Opn Spd Ctrl SS PIt	4800-OACV	\$37,231.00
8-ZW209HP	8" ZW209 Press Reduc Vlv GIB Body ANSI 150 Flg SS seat 30-300psi Cpr Tube	4800-OACV	\$28,912.00
8-ZW209HPSP	8" ZW209 Press Reduc Vlv GIB Body ANSI 150 Flg SS seat 30-300psi SS Hoses	4800-OACV	\$28,912.00
8-ZW209L	8" ZW209 Press Reduc Vlv GIB Body Cls Spd Ctrl ANSI 150 Flg SS seat 15-150psi	4800-OACV	\$33,638.00
8-ZW209LGRV	8" ZW209 Press Red Vlv GIB Bdy Cls Spd Ctrl IPS Grvd 15-120psi Rev Pilot	4800-OACV	\$29,117.00
8-ZW209LO	8" ZW209 Press Reduc Vlv GIB Body Opn Cls Spd ANSI 150 Flg SS seat 15-150psi	4800-OACV	\$29,544.00
8-ZW209LP	8" ZW209 Press Reduc Vlv GIB Body ANSI 150 Flg SS seat 5-25psi Cpr Tube	4800-OACV	\$29,341.00
8-ZW209LRYZHPRV	8" ZW209 Pre Reduc Red Port W/ClSpd ANSI 300 Flg Indctr SS seat 30-300psi Rv Pi	4800-OACV	\$22,110.00
8-ZW209LZLPS	8" ZW209 Press Reduc Vlv GIB Bdy Cls Spd Ctrl ANSI 150 Flg Indctr 5-25psi SS PIt	4800-OACV	\$34,622.00
8-ZW209O	8" ZW209 Press Reduc Vlv GIB Body Opn Spd Ctrl ANSI 150 Flg SS seat 15-150psi	4800-OACV	\$29,126.00
8-ZW209-PILOT	PILOT ASSY, COMPLETE, ZW209	4800-OACV	\$8,834.00
8-ZW209PN16HP	8" PRV ISO PN16 FLNG, HI PRESS PILOT	4800-OACV	\$28,903.00
8-ZW209Q	Pressure Reducing Valve / Surge Control, Class 150, Flanged x Flanged	4800-OACV	\$31,489.00
8-ZW209Q-PILOT	Pilot Assy Complete, ZW209Q	4800-OACV	\$10,350.00
8-ZW209RV	8" PRV 150# FLNG REVERSE PILOT	4800-OACV	\$28,704.00
8-ZW209SP	8" ZW209 Press Red V GIB Body ANSI 150 Flg SS seat 15-150psi SS Pilot	4800-OACV	\$33,707.00
8-ZW209SP-PILOT	Pilot Assy Stainless Steel Complete 8" ZW209SP, any connection	4800-OACV	\$12,803.00
8-ZW209Y	Pressure Reducing Valve, 300#, Flange x Flange	4800-OACV	\$33,216.00
8-ZW209YHP	8" ZW209 Press Reduc Vlv GIB Body ANSI 300 Flg 30-300psi Cpr Tube	4800-OACV	\$34,625.00
8-ZW209Z	8" ZW209 Press Reduc Vlv GIB Body ANSI 150 Flg SS seat 15-150psi Indctr Cpr Tube	4800-OACV	\$29,799.00
8-ZW209ZRV	8" ZW209 Pre Redu Vlv GIB Bdy ANSI 150 Flg SS seat 15-150psi Indctr Cu Tbl Rev Pi	4800-OACV	\$29,799.00
8-ZW209ZSP	8" ZW209 Press Reduc Vlv GIB Body ANSI 150 Flg Indctr SS seat 15-150psi SS Pilot	4800-OACV	\$33,548.00
112-ZW209BP	Pressure Reducing Valve, 150#, Flanged x Flanged, Low Flow By-Pass	4800-OACV	\$8,784.00
112-ZW209BPCLGZHPGL	1-1/2" P. Reduc w/ Bypass Vlv GIB Body w/Hyd Check Grv Cls Spd Ctrl 30-300psi Li	4800-OACV	\$12,037.00
112-ZW209BPG	1.5" ZW209 Press Reduc Lo Flw Bypass Vlv GIB Body IPS Grvd SS seat 15-150psi	4800-OACV	\$8,784.00
112-ZW209BPGI	1.5" ZW209 Press Reduc Lo Flw Bypass Vlv GIB Body ANSI 150 Flg 15-150psi Liq. Gu	4800-OACV	\$9,121.00
112-ZW209BPRVGL	1.5" ZW209 Press Reduc Lo Flw Bypass GIB Body ANSI 150 Flg 15-150psi Liq. Gu Rev	4800-OACV	\$9,121.00
112-ZW209BPTH	Pressure Reducing Valve, 400#, FNPT x FNPT, Low Flow By-Pass	4800-OACV	\$8,784.00
112-ZW209BPTHGL	1.5" ZW209 P-Reduc Lo Flw Bypass Vlv GIB Body Fem NPT 15-150psi Liq Fild Gauge	4800-OACV	\$9,121.00
112-ZW209BPTHHPGL	1.5" ZW209 P-Reduc Lo Flw Bypass Vlv GIB Body Fem NPT 15-150psi Liq Fild Gauge	4800-OACV	\$10,626.00
112-ZW209BPHY	1-1/2" PRV W/LOW FLOW BYPASS 300# FLNG	4800-OACV	\$9,337.00
114-ZW209BPCTH	1.25" ZW209 P-Reduc Lo Flw Bypass Vlv GIB Body w/Check Fem NPT 15-150psi	4800-OACV	\$10,025.00
114-ZW209BPCTHHPGL	1-1/4" P. Reduc w/ Bypass Vlv GIB Body w/Hyd Check Fem NPT30-300psi Liq Gauge	4800-OACV	\$11,438.00
114-ZW209BPTH	Pressure Reducing Valve, 400#, FNPT x FNPT, Low Flow By-Pass	4800-OACV	\$8,784.00
114-ZW209BPTHGL	1-1/4" PRV W/LO FLO BP, LIQ GAUGES, THREADED	4800-OACV	\$9,121.00
114-ZW209BPTHHP	1.25" ZW209 Press Reduc Lo Flw Bypass Vlv GIB Body Fem NPT 30-300psi	4800-OACV	\$10,293.00
114-ZW209BPTHHRV	1.25" ZW209 Press Reduc Lo Flw Bypass Vlv GIB Body Fem NPT SS seat 15-150psi Rev	4800-OACV	\$8,784.00
114-ZW209BPTHVHPGL	1.25" ZW209 Press Reduc Lo Flw Bypass Vlv GIB Body NPT Viton Rtr 30-300psi Liq G	4800-OACV	\$12,486.00
212-ZW209BP	Pressure Reducing Valve, 150#, Flanged x Flanged, Low Flow By-Pass	4800-OACV	\$11,985.00
212-ZW209BPCLGZHPGL	2-1/2" P-Red Lo Flw Bypass GIB Bdy IPS Grvd 15-150psi w/Chk Cls Spd Ctrl Liq Ga	4800-OACV	\$15,088.00
212-ZW209BPCTHZGL	2.5" ZW209 LoFlw Bypass Vlv GIB Bdy w/chk Fem NPT 15-150psi Indctr 15-150psi LiqG	4800-OACV	\$13,879.00
212-ZW209BPG	Pressure Reducing Valve, 300#, Grooved x Grooved, Low Flow By-Pass	4800-OACV	\$11,985.00
212-ZW209BPGI	2-1/2" PRV W/LO FLO BP, LIQ. GAUGES, 150# FLNG	4800-OACV	\$12,434.00
212-ZW209BPHHPGL	2.5" ZW209 P-Reduc Lo Flw Bypass GIB Bdy ANSI 150 Flg 15-150psi Liq Fild Gauge	4800-OACV	\$13,833.00
212-ZW209BPH-PILOT	Pilot Assembly Complete, 212-ZW209BPHHP	4800-OACV	\$10,938.00

212-ZW209BPHPSHGL	2.5" P-Reduc Lo Flw Bypass Glb Bdy ANSI 150 Flg 30-300psi w/SS Hose, Liq Fild Ga	4800-OACV	\$13,833.00
212-ZW209BPL	2-1/2" PRV W/LOW FLOW BYPASS & CLSD SPEED CONTROL	4800-OACV	\$12,778.00
212-ZW209BPSP	2-1/2" ZW209 Press Reduc Lo Flw Bypass Vlv Glb Body ANSI 150 Flg SS seat 15-150p	4800-OACV	\$17,772.00
212-ZW209BPVHPGL	2.5" ZW209 PR Lo Flw Bypass Glb Bdy ANSI 150 Flg Viton Rbr 15-150psi Liq Fild Ga	4800-OACV	\$15,683.00
212-ZW209BPPY	Pressure Reducing Valve, 300#, Flanged x Flanged, Low Flow By-Pass	4800-OACV	\$12,618.00
212-ZW209BPZRV	2-1/2" ZW209 Press Reduc Lo Flw Bypass Vlv Glb Body ANSI 150 Flg Rev Pilot	4800-OACV	\$12,735.00
2-ZW209BP	Pressure Reducing Valve, 150#, Flanged x Flanged, Low Flow By-Pass	4800-OACV	\$10,320.00
2-ZW209BPG	Pressure Reducing Valve, 300#, Grooved x Grooved, Low Flow By-Pass	4800-OACV	\$10,320.00
2-ZW209BPGGL	2" PRV W/LO FLO BP, LIQ. GAUGES, GROOVED	4800-OACV	\$10,658.00
2-ZW209BPGHPL	2" PRV W/LO FLO BP, LIQ. GAUGES, GROOVED	4800-OACV	\$10,870.00
2-ZW209BPHP	2" PRV W/LO FLO BP 150# FLNG, HI PRESSURE	4800-OACV	\$10,532.00
2-ZW209BPHPL	2.5" ZW209 P-Reduc Lo Flw Bypass Glb Bdy ANSI 150 Flg 15-150psi Liq Fild Gauge	4800-OACV	\$12,166.00
2-ZW209BPTH	Pressure Reducing Valve, 400#, FNPT x FNPT, Low Flow By-Pass	4800-OACV	\$10,320.00
2-ZW209BPTHHPGL	2" ZW209 P-Reduc Lo Flw Bypass Glb Body Fem NPT 15-150psi Liq Fild Gauge	4800-OACV	\$12,166.00
2-ZW209BPTHVR	2" ZW209 Press Reduc Lo Flw Bypass Vlv Glb Body Fem NPT SS seat 15-150psi Rev. P	4800-OACV	\$10,320.00
2-ZW209BPPY	Pressure Reducing Valve, 300#, Flanged x Flanged, Low Flow By-Pass	4800-OACV	\$10,899.00
2-ZW209BPPYGL	2" ZW209 Pr Reduc Lo Flw Bypass Glb Bdy ANSI 300 Flg 15-120psi Liq Fild Gauge	4800-OACV	\$11,220.00
2-ZW209BPPYRV	2" ZW209 Press Reduc Lo Flw Bypass Vlv Glb Body ANSI 300 SS seat 30-300psi Rev.	4800-OACV	\$10,899.00
2-ZW209BPZRV	2" ZW209 Press Reduc Lo Flw Bypass Vlv Glb Body ANSI 150 Flg Indctr Rev Pilot	4800-OACV	\$11,070.00
3-ZW209BP	Pressure Reducing Valve, 150#, Flanged x Flanged, Low Flow By-Pass	4800-OACV	\$12,136.00
3-ZW209BPCLZHPGL	3" P-Red Lo Flw Bypass Glb Bdy IPS Grvd 15-150psi w/Chk Cls Spd Ctrl Liq Gage	4800-OACV	\$15,256.00
3-ZW209BPG	Pressure Reducing Valve, 300#, Grooved x Grooved, Low Flow By-Pass	4800-OACV	\$12,136.00
3-ZW209BPGGL	3" PRV W/LO FLO BP, LIQ. GAUGES, GROOVED	4800-OACV	\$12,468.00
3-ZW209BPL	3" PRV W/LOW FLOW BYPASS & LIQ GAUGES	4800-OACV	\$12,468.00
3-ZW209BPLGL	3" PRV W/CLS SPD CNTRL, BYPASS & LIQ GAUGES	4800-OACV	\$12,923.00
3-ZW209BPLRV	3" ZW209 P-Redc Lo Flw Bypass Glb Body Cls Spd Ctrl ANSI 150 Flg 15-150psi Rev P	4800-OACV	\$12,583.00
3-ZW209BPLTH	3" ZW209 P-Reduc Lo Flw Bypass Vlv Glb Body Cls Spd Ctrl Fem NPT 15-120psi	4800-OACV	\$12,583.00
3-ZW209BPPY	Pressure Reducing Valve, 300#, Flanged x Flanged, Low Flow By-Pass	4800-OACV	\$13,582.00
3-ZW209BPPYGL	3" PRV W/LO BP, LIQ. GAUGES, 300# FLNG	4800-OACV	\$13,918.00
3-ZW209BPPYZHP	3" PRV W/LOW BR, 300# FLNG, W/POSITION INDIC & CHECK PLT.	4800-OACV	\$16,940.00
3-ZW209BPZRV	3" ZW209 Press Reduc Lo Flw Bypass Vlv Glb Body ANSI 150 Flg Indctr Rev Pilot	4800-OACV	\$12,914.00
4-ZW209BP	Pressure Reducing Valve, 150#, Flanged x Flanged, Low Flow By-Pass	4800-OACV	\$14,797.00
4-ZW209BPG	Pressure Reducing Valve, 300#, Grooved x Grooved, Low Flow By-Pass	4800-OACV	\$14,797.00
4-ZW209BPLSP	4" ZW209 P-Reduc Lo Flw BP Vlv Cls Spd Ctrl Glb Body ANSI 150 SS seat 15-150PSI	4800-OACV	\$34,043.00
4-ZW209BPRHP	4" ZW209 Press Reduc Lo Flw Bypass Reduc Port ANSI 150 Flg 30-300psi	4800-OACV	\$13,901.00
4-ZW209BPSHGL	4" ZW209 P-Reduc Lo Flw Bypass ANSI 150 Flg 15-150psi Liq Gau. SS Hose	4800-OACV	\$15,137.00
4-ZW209BPVHP	4" ZW209 PR Lo Flw Bypass Vlv Glb Body ANSI 150 Flg SS seat Viton Rbr 30-300psi	4800-OACV	\$19,934.00
4-ZW209BPVHPGL	4" ZW209 PR Lo Flw Bypass Glb Body ANSI 150 Flg SS seat Viton Rbr 30-300psi Liq.	4800-OACV	\$20,271.00
4-ZW209BPPY	Pressure Reducing Valve, 300#, Flanged x Flanged, Low Flow By-Pass	4800-OACV	\$17,061.00
2-ZW209BPL	2" ZW209 P-Reduc Lo Flw Bypass Glb Bdy ANSI 150 Flg 15-150psi Liq Fild Gauge	4800-OACV	\$10,658.00
2-ZW209BPGVHP	2" ZW209 Pr Reduc Lo Flw Bypass Vlv Glb Body IPS Grvd 30-300psi Viton Rbr	4800-OACV	\$14,145.00
10 ZW209FPG	Fire Protection Pressure Reducing Valve, 300#, Grooved x Grooved	4800-OACV	\$46,987.00
10 ZW209FPX	10" FIRE PRV CLASS 150 FLANGE	4800-OACV	\$46,987.00
10 ZW209FPY	10" FIRE PRV CLASS 300 FLANGE	4800-OACV	\$49,801.00
112-ZW209FPG	Fire Protection Pressure Reducing Valve, 300#, Grooved x Grooved	4800-OACV	\$7,412.00
112-ZW209FPTH	Fire Protection Pressure Reducing Valve, 400#, FNPT x FNPT	4800-OACV	\$7,412.00
112-ZW209FPX	1-1/2" FIRE PRV CLASS 150 FLANGE	4800-OACV	\$7,412.00
112-ZW209FPY	1-1/2" FIRE PRV CLASS 300 FLANGE	4800-OACV	\$7,945.00
212-ZW209FPG	Fire Protection Pressure Reducing Valve, 300#, Grooved x Grooved	4800-OACV	\$9,360.00
212-ZW209FPTH	Fire Protection Pressure Reducing Valve, 400#, FNPT x FNPT	4800-OACV	\$9,360.00
212-ZW209FPX	Fire Protection Pressure Reducing Valve, 150#, Flange x Flange	4800-OACV	\$9,360.00
212-ZW209FPY	Fire Protection Pressure Reducing Valve, 300#, Flange x Flange	4800-OACV	\$10,886.00
2-ZW209FPG	Fire Protection Pressure Reducing Valve, 300#, Grooved x Grooved	4800-OACV	\$8,290.00
2-ZW209FPGHP	2" ZW209 Press Reduc Fire Vlv Glb Body IPS Grvd SS seat 30-300psi Cpr Tube	4800-OACV	\$10,405.00
2-ZW209FPTH	Fire Protection Pressure Reducing Valve, 400#, FNPT x FNPT	4800-OACV	\$8,290.00
2-ZW209FPX	Fire Protection Pressure Reducing Valve, 150#, Flange x Flange	4800-OACV	\$8,290.00
2-ZW209FPY	Fire Protection Pressure Reducing Valve, 300#, Flange x Flange	4800-OACV	\$8,894.00
3-ZW209FPG	Fire Protection Pressure Reducing Valve, 300#, Grooved x Grooved	4800-OACV	\$10,051.00

3-ZW209FPTH	Fire Protection Pressure Reducing Valve, 400#, FNPT x FNPT	4800-OACV	\$10,051.00
3-ZW209FPX	Fire Protection Pressure Reducing Valve, 150#, Flange x Flange	4800-OACV	\$10,051.00
3-ZW209FPY	Fire Protection Pressure Reducing Valve, 300#, Flange x Flange	4800-OACV	\$11,397.00
3-ZW209FPYHP	3" ZW209 Press Reduc Fire Vlv Glb Body ANSI 300 Flg SS seat 30-300psi Cpr Tube	4800-OACV	\$12,904.00
4-ZW209FPY	Fire Protection Pressure Reducing Valve, 300#, Flange x Flange	4800-OACV	\$15,474.00
6-ZW209FPGHP	6" ZW209 Press Reduc Fire Vlv Glb Body w/Check IPS Grvd SS seat 30-300psi	4800-OACV	\$20,510.00
6-ZW209FPCY	6" ZW209 Press Reduc Fire Vlv Glb Body w/Check ANSI 300 Flg SS seat 15-150psi	4800-OACV	\$20,015.00
6-ZW209FPG	Fire Protection Pressure Reducing Valve, 300#, Grooved x Grooved	4800-OACV	\$18,343.00
6-ZW209FPX	Fire Protection Pressure Reducing Valve, 150#, Flange x Flange	4800-OACV	\$18,343.00
6-ZW209FPXHP	6" ZW209 Press Reduc Fire Vlv Glb Body ANSI 150 Flg SS seat 30-300psi Cpr Tube	4800-OACV	\$21,135.00
6-ZW209FPY	Fire Protection Pressure Reducing Valve, 300#, Flange x Flange	4800-OACV	\$20,605.00
6-ZW209FPYSP	6" ZW209 Press Reduc Fire Vlv Glb Body ANSI 300 Flg SS seat 15-150psi SS Pilot	4800-OACV	\$24,504.00
8-ZW209FPCGRV	8" Press Reduc Fire w/Hyd Check IPS Grvd Reverse Pilot	4800-OACV	\$28,613.00
8-ZW209FPG	Fire Protection Pressure Reducing Valve, 300#, Grooved x Grooved	4800-OACV	\$28,716.00
8-ZW209FPX	8" FIRE PRV CLASS 150 FLANGE	4800-OACV	\$28,716.00
8-ZW209FPXHP	8" ZW209 Press Reduc Fire Vlv Glb Body ANSI 150 Flg SS seat 30-300psi Cpr Tube	4800-OACV	\$30,125.00
8-ZW209FPY	8" FIRE PRV CLASS 300 FLANGE	4800-OACV	\$29,657.00
8-ZW209FPYSP	8" ZW209 Press Reduc Fire Vlv Glb Body ANSI 300 Flg SS seat 15-150psi SS Pilot	4800-OACV	\$34,910.00
10-ZW209FPAG	10" ZW209 Press Reduc Fire Vlv Ang Body IPS Grvd SS seat Cpr Tubng Brz Ftngs	4800-OACV	\$49,801.00
10-ZW209FPAX	10" ZW209 Press Reduc Fire Vlv Ang Body ANSI 150 Flg SS seat Cpr Tubng Brz Ftngs	4800-OACV	\$46,987.00
112-ZW209FPATH	1-1/2" ZW209 Press Reduc Fire Vlv Ang Body Fem NPT SS seat Cpr Tubng Brz Ftngs	4800-OACV	\$7,412.00
112-ZW209FPCG	1.5" ZW209 Press Reduc Fire Vlv Glb Body w/Check IPS Grvd SS seat 15-150psi	4800-OACV	\$8,752.00
212-ZW209FPAG	2-1/2" ZW209 Press Reduc Fire Vlv Ang Body IPS Grvd SS seat Cpr Tubng Brz Ftngs	4800-OACV	\$10,886.00
212-ZW209FPAY	2-1/2" ZW209 Press Reduc Fire Vlv Ang Body ANSI 300 Flg SS seat Cpr Tubng Brz Ftngs	4800-OACV	\$10,886.00
212-ZW209FPCGRV	2.5" ZW209 P-Reduc Fire Vlv Glb Body w/Check IPS Grvd 15-150psi Rev Pilot	4800-OACV	\$11,696.00
212-ZW209FPTHHP	2.5" ZW209 Press Reduc Fire Vlv Glb Body Fem NPT SS seat 30-300psi Cpr Tube	4800-OACV	\$10,867.00
2-ZW209FPAG	2" ZW209 Press Reduc Fire Vlv Ang Body IPS Grvd SS seat Cpr Tubng Brz Ftngs	4800-OACV	\$8,894.00
3-ZW209FPAG	3" ZW209 Press Reduc Fire Vlv Ang Body IPS Grvd SS seat Cpr Tubng Brz Ftngs	4800-OACV	\$9,754.00
4-ZW209FPAG	4" ZW209 Press Reduc Fire Vlv Ang Body IPS Grvd SS seat Cpr Tubng Brz Ftngs	4800-OACV	\$13,302.00
4-ZW209FPAX	4" ZW209 Press Reduc Fire Vlv Ang Body ANSI 150 Flg SS seat Cpr Tubng Brz Ftngs	4800-OACV	\$13,302.00
4-ZW209FPAYS	4" ZW209 Press Reduc Fire Vlv Ang Body Grooved SS seat 15-150psi SS Pilotry	4800-OACV	\$21,092.00
4-ZW209FPG	Fire Protection Pressure Reducing Valve, 300#, Grooved x Grooved	4800-OACV	\$13,302.00
4-ZW209FPX	Fire Protection Pressure Reducing Valve, 150#, Flange x Flange	4800-OACV	\$13,302.00
6-ZW209FPAG	6" ZW209 Press Reduc Fire Vlv Ang Body IPS Grvd SS seat Cpr Tubng Brz Ftngs	4800-OACV	\$18,343.00
6-ZW209FPAX	6" ZW209 Press Reduc Fire Vlv Ang Body ANSI 150 Flg SS seat Cpr Tubng Brz Ftngs	4800-OACV	\$18,343.00
6-ZW209FPAY	6" ZW209 Press Reduc Fire Vlv Ang Body ANSI 300 Flg SS seat Cpr Tubng Brz Ftngs	4800-OACV	\$20,605.00
8-ZW209FPAG	8" ZW209 Press Reduc Fire Vlv Ang Body IPS Grvd SS seat Cpr Tubng Brz Ftngs	4800-OACV	\$29,657.00
8-ZW209FPAX	8" ZW209 Press Reduc Fire Vlv Ang Body ANSI 150 Flg SS seat Cpr Tubng Brz Ftngs	4800-OACV	\$28,716.00
4-ZW209FPCG	4" ZW209 Press Reduc Fire Vlv Glb Body w/Check IPS Grvd SS seat 15-150psi	4800-OACV	\$14,025.00
212-ZW209FPGV	2.5" ZW209 Press Reduc Fire Vlv Glb Body IPS Grvd SS seat 15-150psi Rev Pilot	4800-OACV	\$9,360.00
10-ZW209LP	10" ZW209 Press Reduc Vlv Glb Body ANSI 150 Flg SS seat 5-25psi Cpr Tube	4800-OACV	\$44,208.00
10-ZW209R	10" ZW209 Press Reduc Reduc Port ANSI 150 Flg SS seat Cpr Tubng Brz Ftngs	4800-OACV	\$31,789.00
3-ZW209R	3" ZW209 Press Reduc Reduc Port ANSI 150 Flg SS seat Cpr Tubng Brz Ftngs	4800-OACV	\$8,649.00
4-ZW209R	4" ZW209 Press Reduc Reduc Port ANSI 150 Flg SS seat Cpr Tubng Brz Ftngs	4800-OACV	\$9,357.00
4-ZW209RPLGL	4" Press Reduc Press Reduc Vlv Glb Body ANSI 150 Flg 5-25psi Liq Fild Gauge	4800-OACV	\$10,369.00
4-ZW209RPLRVGL	4" Pre Red Pre Red Vlv Glb Body ANSI 150 Flg 5-25psi Rev Pilot Liq Fild Gauge	4800-OACV	\$10,369.00
4-ZW209RRV	4" ZW209 Press R Reduc Port ANSI 150 Flg SS seat 15-120psi Cpr Tube Rev Pilot	4800-OACV	\$11,617.00
4-ZW209RY	4" ZW209 Press Reduc Reduc Port ANSI 300 Flg SS seat Cpr Tubng Brz Ftngs	4800-OACV	\$11,617.00
4-ZW209RZGL	4" Press Reduc Reduc Port Vlv Glb Body ANSI 150 Flg Indctr Liq Fild Gauge	4800-OACV	\$15,282.00
6-ZW209QR	6" ZW209 Press Reduc w/Surge Reduc Port ANSI 150 Flg SS seat 15-150psi	4800-OACV	\$25,423.00
6-ZW209QZSP	6" ZW209 Press R w/Surge Vlv Glb Bdy ANSI 150 Flg Indctr SS seat 15-150psi Piltry	4800-OACV	\$32,879.00
6-ZW209R	6" ZW209 Press Reduc Reduc Port ANSI 150 Flg SS seat Cpr Tubng Brz Ftngs	4800-OACV	\$12,888.00

6-ZW209RRV	6" ZW209 Press R Reduc Port ANSI 150 Flg SS seat 15-150psi Cpr Tube Rev Pilot	4800-OACV	\$11,690.00
8-ZW209R	8" ZW209 Press Reduc Reduc Port ANSI 150 Flg SS seat Cpr Tubing Brz Ftngs	4800-OACV	\$18,718.00
8-ZW209SH-PILOT	Pilot Assy. Complete, ZW209 SH	4800-OACV	\$8,305.00
212-ZW209YGL	2.5" ZW209 Press Reduc Vlv Glb Body ANSI 300 Flg SS seat 15-150psi Cpr Tube Liq.	4800-OACV	\$9,990.00
10 ZW215FPGRV	10" ZW215 Suc Prss Ctrl Fire Vlv Glb Body IPS Grvd SS seat Cpr Tube Rev Pilot	4800-OACV	\$46,010.00
10 ZW215FPRV	10" ZW215 Suc Prss Ctrl Fire Vlv Glb Body ANSI 150 Flg SS seat Cpr Tube Rev	4800-OACV	\$46,010.00
2-ZW215FPTH	2" ZW215 Suc Prss Ctrl Fire Vlv Glb Body Fem NPT SS seat Cpr Tube	4800-OACV	\$8,683.00
4-ZW215FPG	4" ZW215 Suc Prss Ctrl Fire Vlv Glb Body IPS Grvd SS seat Cpr Tube	4800-OACV	\$15,253.00
6-ZW215FPAG	6" ZW215 Suc Prss Ctrl Fire Vlv Ang Body IPS Grvd SS seat Cpr Tube	4800-OACV	\$19,564.00
6-ZW215FP-PILOT	Pilot Assy. Complete, 6-ZW215FP	4800-OACV	\$19,197.00
6-ZW215FPZ2	6" ZW215 Suc Prss Ctrl Fire Vlv Glb Body ANSI 150 Flg SS Dry Ps Indctr Capr Tube	4800-OACV	\$19,197.00
8-ZW215FPGRV	8" ZW215 Suc Prss Ctrl Fire Vlv Glb Body IPS Grvd SS seat Cpr Tube Rev.	4800-OACV	\$30,232.00
8-ZW215FP-PILOT	Pilot Assy. Complete Fire Pump Suction ZW215FP "Any Connection"	4800-OACV	\$6,475.00
10 ZW215FP	10" FIRE PMP SUC CNTRL VLV CLASS 300 FLANGE	4800-OACV	\$46,010.00
10 ZW215FPY	Fire Pump Suction Control Valve, Class 300, Flanged x Flanged	4800-OACV	\$48,789.00
212-ZW215FP	2 1/2" FIRE PMP SUC CNTRL VLV CLASS 300 FLANGE	4800-OACV	\$10,583.00
212-ZW218	2.5" ZW218 Check Vlv Glb Body ANSI 150 Flg SS seat Cpr Tube	4800-OACV	\$9,204.00
2-ZW215FP	2" FIRE PMP SUC CNTRL VLV CLASS 300 FLANGE	4800-OACV	\$8,686.00
3-ZW215FP	3" FIRE PMP SUC CNTRL VLV CLASS 300 FLANGE	4800-OACV	\$11,157.00
3-ZW215FPG	3" ZW215 Suc Prss Ctrl Fire Vlv Glb Body IPS Grvd SS seat Cpr Tube	4800-OACV	\$11,157.00
4-ZW215FP	4" FIRE PMP SUC CNTRL VLV CLASS 300 FLANGE	4800-OACV	\$15,253.00
6-ZW215FP	6" FIRE PMP SUC CNTRL VLV CLASS 300 FLANGE	4800-OACV	\$19,197.00
6-ZW215FPRV	6" ZW215 Suc Prss Ctrl Fire Vlv Glb Body ANSI 150 Flg SS seat Cpr Tube Rev Pilot	4800-OACV	\$19,197.00
6-ZW215FPY	Fire Pump Suction Control Valve, Class 300, Flanged x Flanged	4800-OACV	\$19,567.00
8-ZW215FP	8" FIRE PMP SUC CNTRL VLV CLASS 300 FLANGE	4800-OACV	\$30,236.00
8-ZW215FPAG	8" ZW215 Suc Prss Ctrl Fire Vlv Ang Body IPS Grvd SS seat Cpr Tube	4800-OACV	\$30,236.00
8-ZW215FPY	Fire Pump Suction Control Valve, Class 300, Flanged x Flanged	4800-OACV	\$31,150.00
10 ZW215FPG	10" ZW215 Suc Prss Ctrl Fire Vlv Glb Body IPS Grvd SS seat Cpr Tube	4800-OACV	\$46,010.00
6-ZW215FPG	6" ZW215 Suc Prss Ctrl Fire Vlv Glb Body IPS Grvd SS seat Cpr Tube	4800-OACV	\$19,197.00
8-ZW215FPG	8" ZW215 Suc Prss Ctrl Fire Vlv Glb Body IPS Grvd SS seat Cpr Tube	4800-OACV	\$30,236.00
10 ZW218	Check Valve, Class 150, Flanged x Flanged	4800-OACV	\$41,352.00
10 ZW218Y	Check Valve, Class 300, Flanged x Flanged	4800-OACV	\$46,181.00
12 ZW218	12" ZW218 Check Vlv Glb Body ANSI 150 Flg SS seat Cpr Tubing Brz Ftngs	4800-OACV	\$56,376.00
12 ZW218Y	12" ZW218 Check Vlv Glb Body ANSI 300 Flg SS seat Cpr Tubing Brz Ftngs	4800-OACV	\$57,912.00
16 ZW218	16" ZW218 Check Vlv Glb Body ANSI 150 Flg SS seat Cpr Tubing Brz Ftngs	4800-OACV	\$105,472.00
212-ZW218AY	2.5" ZW218 Check Vlv Ang Body ANSI 300 Flg SS seat Cpr Tube	4800-OACV	\$9,204.00
212-ZW218Y	Check Valve, Class 300, Flanged x Flanged	4800-OACV	\$9,204.00
2-ZW218	Check Valve, Class 150, Flanged x Flanged	4800-OACV	\$8,185.00
3-ZW218	Check Valve, Class 150, Flanged x Flanged	4800-OACV	\$8,766.00
3-ZW218A	3" ZW218 Check Vlv Ang Body ANSI 150 Flg SS seat Cpr Tube	4800-OACV	\$8,766.00
3-ZW218TH	3" ZW218 Check Vlv Glb Body Fem NPT SS seat Cpr Tube	4800-OACV	\$8,766.00
3-ZW218Y	Check Valve, Class 300, Flanged x Flanged	4800-OACV	\$10,216.00
4-ZW218	4" CHK VLV 150# FLNG W/CLSD & OPEN SPD CNTRL	4800-OACV	\$11,169.00
4-ZW218ASH	4" ZW218 Check Vlv Ang Body ANSI 150 Flg SS seat stainless steel hose	4800-OACV	\$11,169.00
4-ZW218G	4" ZW218 Check Vlv Glb Body Grvd SS seat Cpr Tube	4800-OACV	\$11,169.00
4-ZW218SH	4" ZW218 Check Vlv Glb Body ANSI 150 Flg SS seat stainless steel hose	4800-OACV	\$11,169.00
6-ZW218	Check Valve, Class 150, Flanged x Flanged	4800-OACV	\$16,305.00
6-ZW218G	6" ZW218 Check Vlv Glb Body IPS Grvd SS seat Cpr Tube	4800-OACV	\$16,305.00
6-ZW218SH	6" ZW218 Check Vlv Glb Body ANSI 150 Flg SS seat SS Hose	4800-OACV	\$16,305.00
8-ZW218	Check Valve, Class 150, Flanged x Flanged	4800-OACV	\$27,268.00
8-ZW218A	8" ZW218 Check Vlv Ang Body ANSI 150 Flg SS seat Cpr Tube. (WAITING 4 BOM)	4800-OACV	\$27,268.00
8-ZW218Z	8" ZW218 Check Vlv Glb Body ANSI 150 Flg SS seat Indctr Cpr Tube	4800-OACV	\$28,365.00
10 ZW221EL3NO	10" ZW221 1way Alt w/ S/nd Glb Body CIs Spd ANSI 150 Flg Nrm Opn 75'-230' Adj P	4800-OACV	\$46,511.00
10 ZW221L1	10" ZW221 1way Alt Vlv Glb Body CIs Spd Ctrl ANSI 150 Flg 5'-55' Adj Pilot	4800-OACV	\$38,178.00
10 ZW221OL1	10" ZW221 1way Alt Vlv Glb Body Opn Spd Ctrl ANSI 150 Flg 5'-55' Adj Pilot	4800-OACV	\$38,633.00
114-ZW221THL1	1-1/4" ZW221 1way Alt Vlv Glb Body CIs Spd Ctrl NPT Thd 5'-55' Adj Pilot	4800-OACV	\$10,427.00
12 ZW221CLRZV	12" 1way Alt Vlv Glb Body CIs Spd Ctrl W/Check ANSI 150 Flg 45'-85' Adj Rev Pil	4800-OACV	\$59,311.00
12 ZW221L1	12" 1way Alt Vlv Glb Body CIs Spd Ctrl ANSI 150 Flg 5'-55' Adj Pilot	4800-OACV	\$58,487.00
12 ZW221LF	12" ZW222 2way Alt Vlv Glb Bdy CIs Spd Ctrl ANSI 150 Flg 75'-230' Adj Wet Drain	4800-OACV	\$52,483.00
16 ZW221CLR3V	16" 1way Alt Vlv Glb Body CIs Spd Ctrl W/Check ANSI 150 Flg 75'-230' Adj Rev Pil	4800-OACV	\$104,669.00
16 ZW221L1	16" 1way Alt Vlv Glb Body CIs Spd Ctrl ANSI 150 Flg 5'-55' Adj Pilot	4800-OACV	\$100,820.00

16-ZW221L1SC2	16" 1way Alt V Glb Body CIs Spd Cntrl ANSI 150 Flg 5'-55' Adj Pilot Limit Switch	4800-OACV	\$107,493.00
212-ZW221GL1RV	2-1/2" ZW221 1way Alt Vlv Glb Body IPS Grvd SS seat Cpr Tube 5'-55' Adj Pilot Rev	4800-OACV	\$16,880.00
212-ZW221GL2	2-1/2" ZW221 1way Alt Vlv Glb Body IPS Grvd SS seat Cpr Tube 45'-85' Adj Pilot	4800-OACV	\$16,880.00
2-ZW221DGL1	2" ZW221 1way Alt Vlv Glb Body IPS Grvd CIs Spd Ctrl 5'-55' Adj Pilot Delay	4800-OACV	\$14,737.00
2-ZW221GL1	2" ZW221 1way Alt Vlv Glb Body IPS Grvd CIs Spd Ctrl 5'-55' Adj Pilot	4800-OACV	\$14,295.00
2-ZW221L1	2" ZW221 1way Alt Vlv Glb Body CIs Spd Ctrl ANSI 150 Flg 5'-55' Adj Pilot	4800-OACV	\$13,841.00
2-ZW221THL1	2" ZW221 1way Alt Vlv Glb Body CIs Spd Ctrl NPT Thd 5'-55' Adj Pilot	4800-OACV	\$12,993.00
3-ZW221AGL2	3" ZW221 1way Alt Vlv Angle Grv Body Opn Spd Ctrl ANSI 150 Flg 45'-85' Adj Pilot	4800-OACV	\$17,364.00
3-ZW221AL1	3" ZW221 1way Alt Vlv Ang Body CIs Spd Ctrl ANSI 150 Flg 5'-55' Adj Pilot	4800-OACV	\$17,364.00
3-ZW221DCL1	3" ZW221 1way Alt Vlv Glb Body Opn Spd Ctrl w/Check ANSI 150 Flg 5'-55' Adj Pil	4800-OACV	\$18,571.00
3-ZW221DCL1F	3" ZW221 1way Alt Vlv Glb Body Opn Spd Ctrl ANSI 150 Flg 5'-55' Adj Pilot Delay	4800-OACV	\$18,996.00
3-ZW221DL1	3" ZW221 1way Alt Vlv Glb Body Opn Spd Ctrl ANSI 150 Flg 5'-55' Adj Pilot Delay	4800-OACV	\$17,806.00
3-ZW221L1	3" ZW221 1way Alt Vlv Glb Body Opn Spd Ctrl ANSI 150 Flg 5'-55' Adj Pilot	4800-OACV	\$17,364.00
3-ZW221L1FSD	3" ZW221 1way Alt Vlv Glb Body Opn Spd Ctrl ANSI 150 Flg 5'-55' Adj Pilot Atm.	4800-OACV	\$24,160.00
4-ZW221AL1	4" ZW221 1way Alt Vlv Ang Body CIs Spd Ctrl ANSI 150 Flg 5'-55' Adj Pilot	4800-OACV	\$19,446.00
4-ZW221GL1	4" ZW221 1way Alt Vlv Glb Body IPS Grvd 5'-55' Adj Pilot SS seat	4800-OACV	\$19,787.00
4-ZW221GL1RV	4" ZW221 1way Alt Vlv Glb Body IPS Grvd 5'-55' Adj Pilot SS seat Pilot Rev	4800-OACV	\$19,787.00
4-ZW221L1	4" ZW221 1way Alt Vlv Glb Body CIs Spd Ctrl ANSI 150 Flg 5'-55' Adj Pilot	4800-OACV	\$19,446.00
4-ZW221L1-PILOT	Pilot Assembly Complete, 4-ZW221L1	4800-OACV	\$12,374.00
4-ZW221L2	4" ZW221 1way Alt Vlv Glb Body CIs Spd Ctrl ANSI 150 Flg 45'-85' Adj Pilot	4800-OACV	\$19,446.00
4-ZW221RL1	4" ZW221 1way Alt Vlv CIs Spd Ctrl Reduc Port Body ANSI 150 Flg 5'-55' Adj Pilot	4800-OACV	\$17,196.00
508XL3-33HR	High Range Spring, 500XL3 3", Chrome Silicon Epoxy Coated Steel	4800-OPRV	\$126.00
6-ZW221AGL1	6" ZW221 1way Alt Vlv Ang Body Grvd 5'-55' Adj Pilot SS seat	4800-OACV	\$22,483.00
6-ZW221AL1	6" ZW221 1way Alt Vlv Ang Body ANSI 150 Flg 5'-55' Adj Pilot SS seat	4800-OACV	\$22,483.00
6-ZW221DOL1	6" ZW221 1way Alt Vlv Glb w/ Delay Opn CIs/Opn Spd Ctrl ANSI 150 Flg 5'-55' Adj	4800-OACV	\$23,339.00
6-ZW221GL1	6" ZW221 1way Alt Vlv Glb Body IPS Grvd 5'-55' Adj Pilot SS seat	4800-OACV	\$22,483.00
6-ZW221GL2	6" ZW221 1way Alt Vlv Glb Body IPS Grvd SS seat Cpr Tube 45'-85' Adj Pilot	4800-OACV	\$22,483.00
6-ZW221L1	6" ZW221 1way Alt Vlv Glb Body CIs Spd Ctrl ANSI 150 Flg 5'-55' Adj Pilot	4800-OACV	\$22,483.00
6-ZW221ORL1	6" ZW221 1way Alt Vlv Opn CIs Spd Ctrl Reduc Port ANSI 150 Flg 5'-55' Adj Pilot	4800-OACV	\$17,442.00
6-ZW221RL1	6" ZW221 1way Alt Vlv CIs Spd Ctrl Reduc Port ANSI 150 Flg 5'-55' Adj Pilot	4800-OACV	\$17,012.00
6-ZW221YL1	6" ZW221 1way Alt Vlv Glb Body CIs Spd Ctrl ANSI 300 Flg 5'-55' Adj Pilot	4800-OACV	\$28,521.00
8-ZW221AGL1	8" ZW221 1way Alt Vlv Ang Body Grvd 5'-55' Adj Pilot SS seat	4800-OACV	\$32,344.00
8-ZW221AL1	8" ZW221 1way Alt Vlv Ang Bdy CIs Spd Ctrl ANSI 150 Flg 5'-55' Adj Pilot SS seat	4800-OACV	\$31,099.00
8-ZW221DORL1	8" ZW221 1way Alt Vlv Redu Bdy w/ Delay Opn C/Op Spd Ctr ANSI 150 Flg 5'-55' Adj	4800-OACV	\$23,225.00
8-ZW221EGL1NC	8" ZW221 1way Alt w/S/nd Vlv Glb Body CIs Spd IPS Grv Nrm CIs 5'-55' Adj Pilot	4800-OACV	\$32,660.00
8-ZW221GL1	8" ZW221 1way Alt Vlv Glb Body IPS Grvd 5'-55' Adj Pilot SS seat	4800-OACV	\$32,344.00
8-ZW221L1	8" ZW221 1way Alt Vlv Glb Body CIs Spd Ctrl ANSI 150 Flg 5'-55' Adj Pilot	4800-OACV	\$32,345.00
8-ZW221L1-PILOT	Pilot Assembly Complete, 8-ZW221L1	4800-OACV	\$16,201.00
8-ZW221L2	8" ZW221 1way Alt V Glb Bdy CIs Spd Ctrl ANSI 150 Flg 45'-85' Adj Pilot	4800-OACV	\$32,345.00
8-ZW221L3	8" ZW221 1way Alt Vlv Glb Body CIs Spd Ctrl ANSI 150 Flg 75'-230' Adj Pilot	4800-OACV	\$32,345.00
8-ZW221YL1RV	8" ZW221 1way Alt Vlv Glb Body CIs Spd Ctrl ANSI 150 Flg 5'-55' Adj Pilot Rev	4800-OACV	\$36,861.00
10-ZW222L3	10" ZW222 2way Alt Vlv Glb Body CIs Spd Ctrl ANSI 150 Flg 75'-230' Adj Pilot	4800-OACV	\$38,596.00
2-ZW222L2	6" ZW222 2way Alt Vlv Glb Body CIs Spd Ctrl ANSI 150 Flg 45'-85' Adj Pilot	4800-OACV	\$13,841.00
4-ZW222L1	4" ZW222 2way Alt Vlv Glb Body CIs Spd Ctrl ANSI 150 Flg 5'-55' Adj Pilot	4800-OACV	\$18,759.00
4-ZW222L2	4" ZW222 2way Alt Vlv Glb Body CIs Spd Ctrl ANSI 150 Flg 45'-85' Adj Pilot	4800-OACV	\$18,759.00
4-ZW222L3	4" ZW222 2way Alt Vlv Glb Body CIs Spd Ctrl ANSI 150 Flg 75'-230' Adj Pilot	4800-OACV	\$18,759.00
6-ZW222AYL3	6" ZW222 2way Alt Vlv Ang Body CIs Spd Ctrl ANSI 300 Flg 75'-230' Adj Pilot	4800-OACV	\$26,815.00
6-ZW222GL1	6" ZW222 2way Alt Vlv Glb Body IPS Grooved CIs Spd Ctrl ANSI 150 Flg 5'-55' Adj	4800-OACV	\$23,066.00
6-ZW222L1	6" ZW222 2way Alt Vlv Glb Body CIs Spd Ctrl ANSI 150 Flg 5'-55' Adj Pilot	4800-OACV	\$23,066.00
6-ZW222L3	6" ZW222 2way Alt Vlv Glb Body CIs Spd Ctrl ANSI 150 Flg 75'-230' Adj Pilot	4800-OACV	\$23,490.00
6-ZW222YL3	6" ZW222 2way Alt Vlv Glb Body CIs Spd Ctrl ANSI 300 Flg 75'-230' Adj Pilot	4800-OACV	\$27,662.00
760-100	VALVE ONLY ASSEMBLY	4800-OMWS	\$160.00

8-ZW222L3	8" ZW222 2way Alt Viv Glb Body Cls Spd Ctrl ANSI 150 Fig 75'-230' Adj Pilot	4800-OACV	\$33,309.00
1-WTPK	Winterizer Tailpiece Kit, Female NPT	4800-0MWS	\$133.00
1-WTPKC	Winterizer Tailpiece Kit, Female Copper SWT	4800-0MWS	\$66.00
1-WTPKM	Winterizer Tailpiece Kit, Male NPT	4800-0MWS	\$208.00
1-WTPKXL	WINTERIZER TPK, 1" FNPT LEAD FREE	4800-0MWS	\$92.00
1-WTPKXLM	WINTERIZER TPK, 1" MNPT LEAD FREE	4800-0MWS	\$215.00
34 WTPKC	Winterizer Tailpiece Kit, Female Copper SWT	4800-0MWS	\$86.00
34 WTPKXL	WINTERIZER TPK, 3/4" FNPT LEAD FREE	4800-0MWS	\$83.00
38 ZW3870XLTF	3/8" COMP TMV, 3PORT ASSE 1070 W/THERMOFLUSH LEAD FREE	4800-00MV	\$520.00
38 ZW3870XLTF-4P	3/8" COMP TMV, 4PORT ASSE 1070 W/THERMOFLUSH LEAD FREE	4800-00MV	\$577.00
38 ZW3870XLTF-WHT	3/8" COMP, TMVXL, 3PORT WHITE EPOXY LEAD FREE	4800-00MV	\$184.00
3-ACVFCIS24NCP	FCIS subassembly, 3" Solenoid Valve, Endpoint, Connector kits	4800-00MV	\$17,943.00
3-ACVFCIS24NOP	FCIS subassembly, 3" Solenoid Valve, Endpoint, Connector kits	4800-00MV	\$16,164.00
3-ACVFCIS24NOP	FCIS subassembly, 3" Solenoid Valve, Endpoint, Connector kits	4800-00MV	\$17,943.00
3-ACVFCIS24NCP	FCIS subassembly, 3" Solenoid Valve, Endpoint, Connector kits	4800-00MV	\$18,889.00
3-ACVFCIS24NCP	FCISOSY subassembly, 3" Solenoid Valve, Endpoint, Connector kits	4800-00MV	\$17,943.00
3-ACVFCIS24NCP	FCISOSY subassembly, 3" Solenoid Valve, Endpoint, Connector kits	4800-00MV	\$16,164.00
3-ACVFCIS24NCP	FCIS subassembly, 3" Solenoid Valve, Endpoint, Connector kits	4800-00MV	\$18,889.00
3-ACVFCIS24NOP	FCIS subassembly, 3" Solenoid Valve, Endpoint, Connector kits	4800-00MV	\$35,354.00
38 ZW3870XLT	Thermostatic Mixing Valve, Lead-Free, Compression, ASSE1016, ASSE1070, 3 Port	4800-00MV	\$496.00
38 ZW3870XLT-4P	Thermostatic Mixing Valve, Lead-Free, Compression, ASSE1016, ASSE1070, 4 Port	4800-00MV	\$556.00
ZW4000BTCC-U	2-1/2 4000 Angle Hose Valve Fem BSPT x Male BSPT w/ Cap Setting U	4800-00FV	\$4,782.00
ZW4000BT-U	2-1/2 4000 Angle Hose Valve Fem BSPT x Male BSPT Setting U	4800-00FV	\$4,175.00
ZW4000CCH-P	2-1/2 4000 Angle Hose Vlv Fem NPT x Male Hose Thrd w/ Cap, Rough Chrome Setting P	4800-00FV	\$4,565.00
ZW4000CCH-Q	2-1/2 Angle Hose Valve Fem NPT x Male Hose Thrd w/Cap, Rough Chrome Setting Q	4800-00FV	\$4,565.00
ZW4000CCH-R	2-1/2" ZW4000CC CHROME - R	4800-00FV	\$4,570.00
ZW4000CCH-S	2-1/2" ZW4000CC CHROME - S212"ZW4000CCHCHROMES	4800-00FV	\$4,570.00
ZW4000CCH-T	2-1/2" ZW4000CC CHROME - T212"ZW4000CCHCHROMET	4800-00FV	\$4,570.00
ZW4000CCH-U	2-1/2" ZW4000CC CHROME - U212"ZW4000CCHCHROMEJ	4800-00FV	\$4,570.00
ZW4000CC-N	Fire Hose Valve, FNPT x Male Hose THD, Angle, Cap/Chain, N Curve	4800-00FV	\$3,765.00
ZW4000CC-O	Fire Hose Valve, FNPT x Male Hose THD, Angle, Cap/Chain, O Curve	4800-00FV	\$3,765.00
ZW4000CC-P	Fire Hose Valve, FNPT x Male Hose THD, Angle, Cap/Chain, P Curve	4800-00FV	\$3,765.00
ZW4000CC-Q	Fire Hose Valve, FNPT x Male Hose THD, Angle, Cap/Chain, Q Curve	4800-00FV	\$3,765.00
ZW4000CC-R	Fire Hose Valve, FNPT x Male Hose THD, Angle, Cap/Chain, R Curve	4800-00FV	\$3,765.00
ZW4000CC-S	Fire Hose Valve, FNPT x Male Hose THD, Angle, Cap/Chain, S Curve	4800-00FV	\$3,765.00
ZW4000CC-T	Fire Hose Valve, FNPT x Male Hose THD, Angle, Cap/Chain, T Curve	4800-00FV	\$3,765.00
ZW4000CC-U	Fire Hose Valve, FNPT x Male Hose THD, Angle, Cap/Chain, U Curve	4800-00FV	\$3,765.00
ZW4000CH-P	Fire Hose Valve, FNPT x Male Hose THD, Angle, P Curve, Chrome	4800-00FV	\$4,268.00
ZW4000CH-Q	Fire Hose Valve, FNPT x Male Hose THD, Angle, Q Curve, Chrome	4800-00FV	\$4,268.00
ZW4000CH-R	Fire Hose Valve, FNPT x Male Hose THD, Angle, R Curve, Chrome	4800-00FV	\$4,268.00
ZW4000CH-S	Fire Hose Valve, FNPT x Male Hose THD, Angle, S Curve, Chrome	4800-00FV	\$4,268.00
ZW4000CH-T	Fire Hose Valve, FNPT x Male Hose THD, Angle, T Curve, Chrome	4800-00FV	\$4,268.00
ZW4000CH-U	Fire Hose Valve, FNPT x Male Hose THD, Angle, U Curve, Chrome	4800-00FV	\$4,268.00
ZW4000GCCH-P	2-1/2 4000 Angle Hose Valve Grv x Male Hose Thrd w/Cap Rough Chrome Setting P	4800-00FV	\$4,570.00
ZW4000GCCH-Q	2 1/2" ZW4000-Q C/C GROOVED CHROME	4800-00FV	\$4,570.00
ZW4000GCCH-S	2-1/2 4000 Angle Hose Valve Grv x Male Hose Thrd w/Cap, Rough Chrome Setting S	4800-00FV	\$4,448.00
ZW4000GCCH-T	2 1/2" ZW4000G CHRM W/ CAP/CHAIN SPCL THRD	4800-00FV	\$4,570.00
ZW4000GCCH-U	2-1/2 4000 Angle Hose Valve Grv x Male Hose Thrd w/Cap, Rough Chrome Setting U	4800-00FV	\$4,565.00
ZW4000GCC-N	Fire Hose Valve, Grooved x Male Hose THD, Angle, Cap/Chain, N Curve	4800-00FV	\$3,765.00
ZW4000GCC-O	Fire Hose Valve, Grooved x Male Hose THD, Angle, Cap/Chain, O Curve	4800-00FV	\$3,765.00
ZW4000GCC-P	Fire Hose Valve, Grooved x Male Hose THD, Angle, Cap/Chain, P Curve	4800-00FV	\$3,765.00
ZW4000GCC-Q	Fire Hose Valve, Grooved x Male Hose THD, Angle, Cap/Chain, Q Curve	4800-00FV	\$3,765.00
ZW4000GCC-R	Fire Hose Valve, Grooved x Male Hose THD, Angle, Cap/Chain, R Curve	4800-00FV	\$3,765.00
ZW4000GCC-S	Fire Hose Valve, Grooved x Male Hose THD, Angle, Cap/Chain, S Curve	4800-00FV	\$3,765.00
ZW4000GCC-T	Fire Hose Valve, Grooved x Male Hose THD, Angle, Cap/Chain, T Curve	4800-00FV	\$3,765.00
ZW4000GCC-U	Fire Hose Valve, Grooved x Male Hose THD, Angle, Cap/Chain, U Curve	4800-00FV	\$3,765.00
ZW4000GCH-N	2 1/2" ZW4000-N GROOVED CHROME	4800-00FV	\$4,268.00
ZW4000GCH-O	2 1/2" ZW4000-O GROOVED CHROME	4800-00FV	\$4,268.00
ZW4000GCH-P	2 1/2" ZW4000-P GROOVED CHROME	4800-00FV	\$4,268.00

ZW4000GCH-Q	2 1/2" ZW4000-Q GROOVED CHROME	4800-00FV	\$4,268.00
ZW4000GCH-R	2 1/2" ZW4000-R GROOVED CHROME	4800-00FV	\$4,268.00
ZW4000GCH-S	2 1/2" ZW4000-S GROOVED CHROME	4800-00FV	\$4,268.00
ZW4000GCH-T	2 1/2" ZW4000-T GROOVED CHROME	4800-00FV	\$4,268.00
ZW4000GCH-U	2-1/2" ZW4000-U GROOVED CHROME	4800-00FV	\$4,268.00
ZW4000G-N	Fire Hose Valve, Grooved x Male Hose THD, Angle, N Curve	4800-00FV	\$3,464.00
ZW4000G-O	Fire Hose Valve, Grooved x Male Hose THD, Angle, O Curve	4800-00FV	\$3,464.00
ZW4000G-P	Fire Hose Valve, Grooved x Male Hose THD, Angle, P Curve	4800-00FV	\$3,464.00
ZW4000G-Q	Fire Hose Valve, Grooved x Male Hose THD, Angle, Q Curve	4800-00FV	\$3,464.00
ZW4000G-R	Fire Hose Valve, Grooved x Male Hose THD, Angle, R Curve	4800-00FV	\$3,464.00
ZW4000G-S	Fire Hose Valve, Grooved x Male Hose THD, Angle, S Curve	4800-00FV	\$3,464.00
ZW4000GSFCC-N	2-1/2 4000 Angle Hose Valve Grv x 3" Hose Outlet w/ Cap Setting N	4800-00FV	\$4,433.00
ZW4000GSFCC-O	2-1/2 4000 Angle Hose Valve Grv x 3" Hose Outlet w/ Cap Setting O	4800-00FV	\$4,433.00
ZW4000GSFCC-P	2-1/2 4000 Angle Hose Valve Grv x 3" Hose Outlet w/ Cap Setting P	4800-00FV	\$4,433.00
ZW4000GSFCC-Q	2-1/2 4000 Angle Hose Valve Grv x 3" Hose Outlet w/ Cap Setting Q	4800-00FV	\$4,429.00
ZW4000GSFCC-R	2-1/2" ZW4000SF-R W/GRV CAP/CHAIN212"ZW4000SFRWGRVCAP	4800-00FV	\$4,430.00
ZW4000GSFCC-S	2-1/2" ZW4000SF-S W/GRV CAP/CHAIN212"ZW4000SFSWGRVCAP	4800-00FV	\$4,430.00
ZW4000GSFCC-T	2-1/2" ZW4000SF-T W/GRV CAP/CHAIN212"ZW4000SFTWGRVCAP	4800-00FV	\$4,430.00
ZW4000GSFCC-U	2-1/2" ZW4000SF-U W/GRV CAP/CHAIN212"ZW4000SFUWGRVCAP	4800-00FV	\$4,430.00
ZW4000GSF-N	2-1/2 4000 Angle Hose Valve Grv x 3" Hose Outlet Setting N	4800-00FV	\$4,134.00
ZW4000GSF-O	2-1/2 4000 Angle Hose Valve Grv x 3" Hose Outlet Setting O	4800-00FV	\$4,134.00
ZW4000GSF-P	2-1/2 4000 Angle Hose Valve Grv x 3" Hose Outlet Setting P	4800-00FV	\$4,134.00
ZW4000GSF-Q	2-1/2" ZW4000SF-Q GROOVED	4800-00FV	\$4,134.00
ZW4000GSF-R	2-1/2" ZW4000SF-R GROOVED	4800-00FV	\$4,134.00
ZW4000GSF-S	Fire Hose Valve, Grooved x SF Male Hose THD, Angle, S Curve	4800-00FV	\$4,134.00
ZW4000GSF-T	Fire Hose Valve, Grooved x SF Male Hose THD, Angle, T Curve	4800-00FV	\$4,134.00
ZW4000GSF-U	Fire Hose Valve, Grooved x SF Male Hose THD, Angle, U Curve	4800-00FV	\$4,134.00
ZW4000GSTCCCH-S	2-1/2" ZW4000 CHROME SPCL THDR212"ZW4000CHROMESPL	4800-00FV	\$4,817.00
ZW4000GSTCCCH-T	2 1/2" ZW4000GST CHRM SPCL THRD212"ZW4000GSTCHRMSPC	4800-00FV	\$4,817.00
ZW4000GSTCCCH-U	2-1/2" ZW4000GST CHRM SPCL THRD212"ZW4000GSTCHRMSPC	4800-00FV	\$4,817.00
ZW4000GSTCC-O	2-1/2 4000 Angle Hose Valve Grv x Special Thread w/ Cap Setting O	4800-00FV	\$4,009.00
ZW4000GSTCC-P	2-1/2 4000 Angle Hose Valve Grv x Special Thread w/ Cap Setting P	4800-00FV	\$4,009.00
ZW4000GSTCC-Q	2-1/2 4000 Angle Hose Valve Grv x Special Thread w/ Cap Setting Q	4800-00FV	\$4,009.00
ZW4000GSTCC-R	2-1/2" ZW4000 SPECIAL THREAD212"ZW4000SPECIALTHR	4800-00FV	\$4,011.00
ZW4000GSTCC-S	2-1/2" ZW4000 SPECIAL THREAD212"ZW4000SPECIALTHR	4800-00FV	\$4,011.00
ZW4000GSTCC-T	2-1/2" ZW4000 SPCL THRD212"ZW4000SPCLTHRD	4800-00FV	\$4,011.00
ZW4000GSTCC-U	2-1/2" ZW4000 SPCL THRD212"ZW4000SPCLTHRD	4800-00FV	\$4,011.00
ZW4000GSTCH-P	2-1/2" ZW4000 CHRM SPCL THRD212"ZW4000CHRMSPCLTH	4800-00FV	\$4,513.00
ZW4000GSTCH-Q	2-1/2" ZW4000 CHRM SPCL THRD212"ZW4000CHRMSPCLTH	4800-00FV	\$4,513.00
ZW4000GSTCH-R	2-1/2" ZW4000 CHRM SPCL THRD212"ZW4000CHRMSPCLTH	4800-00FV	\$4,513.00
ZW4000GSTCH-S	2-1/2" ZW4000 CHRM SPCL THRD212"ZW4000CHRMSPCLTH	4800-00FV	\$4,513.00
ZW4000GSTCH-T	2-1/2" ZW4000 CHRM SPCL THRD212"ZW4000CHRMSPCLTH	4800-00FV	\$4,513.00
ZW4000GSTCH-U	2-1/2" ZW4000 CHRM SPCL THRD212"ZW4000CHRMSPCLTH	4800-00FV	\$4,513.00
ZW4000GST-N	2-1/2 4000 Angle Hose Valve Grv x Special Thread Setting N	4800-00FV	\$3,708.00
ZW4000GST-O	2-1/2 4000 Angle Hose Valve Grv x Special Thread Setting O	4800-00FV	\$3,708.00
ZW4000GST-P	2-1/2 4000 Angle Hose Valve Grv x Special Thread Setting P	4800-00FV	\$3,708.00
ZW4000GST-Q	2-1/2" ZW4000 SPCL THRD212"ZW4000SPCLTHRD	4800-00FV	\$3,710.00
ZW4000GST-R	Fire Hose Valve, Grooved x Special Male Hose THD, Angle	4800-00FV	\$3,710.00
ZW4000GST-S	2-1/2" ZW4000 SPCL THRD212"ZW4000SPCLTHRD	4800-00FV	\$3,710.00
ZW4000GST-T	2-1/2" ZW4000G SPCL THRD212"ZW4000GSPCLTHRD	4800-00FV	\$3,710.00
ZW4000GST-U	2-1/2" ZW4000 SPCL THRD212"ZW4000SPCLTHRD	4800-00FV	\$3,710.00
ZW4000G-U	Fire Hose Valve, Grooved x Male Hose THD, Angle, T Curve	4800-00FV	\$3,464.00
ZW4000G-J	Fire Hose Valve, Grooved x Male Hose THD, Angle, U Curve	4800-00FV	\$3,464.00
ZW4000ILBT-R	2 1/2" ZW4000-R IL, W/BSPT IN/OUT	4800-00FV	\$4,088.00
ZW4000ILCCCH-U	2-1/2 Inline Hose Valve Fem NPT x Male Hose Thrd w/Cap, Rough Chrome Setting U	4800-00FV	\$5,192.00
ZW4000ILCC-N	Fire Hose Valve, FNPT x Male Hose THD, In-Line, Cap/Chain, N Curve	4800-00FV	\$4,389.00
ZW4000ILCC-O	Fire Hose Valve, FNPT x Male Hose THD, In-Line, Cap/Chain, O Curve	4800-00FV	\$4,389.00
ZW4000ILCC-P	Fire Hose Valve, FNPT x Male Hose THD, In-Line, Cap/Chain, P Curve	4800-00FV	\$4,389.00
ZW4000ILCC-Q	Fire Hose Valve, FNPT x Male Hose THD, In-Line, Cap/Chain, Q Curve	4800-00FV	\$4,389.00
ZW4000ILCC-R	Fire Hose Valve, FNPT x Male Hose THD, In-Line, Cap/Chain, R Curve	4800-00FV	\$4,389.00
ZW4000ILCC-S	Fire Hose Valve, FNPT x Male Hose THD, In-Line, Cap/Chain, S Curve	4800-00FV	\$4,389.00
ZW4000ILCC-T	Fire Hose Valve, FNPT x Male Hose THD, In-Line, Cap/Chain, T Curve	4800-00FV	\$4,389.00
ZW4000ILCC-U	Fire Hose Valve, FNPT x Male Hose THD, In-Line, Cap/Chain, U Curve	4800-00FV	\$4,389.00
ZW4000ILCH-S	2-1/2 4000 Inline Hose Valve Fem NPT x Male Hose Thrd, Rough Chrome Setting S	4800-00FV	\$4,891.00
ZW4000ILCH-T	2-1/2 4000 Inline Hose Valve Fem NPT x Male Hose Thrd, Rough Chrome Setting T	4800-00FV	\$4,891.00

ZW5000SFCCCH	2-1/2" Pressure Reducing Hose valve, angle body, NPT chrome w/cap chain	4800-00FV	\$7,411.00
ZW5000ST	2-1/2" Pressure Reducing Hose valve, angle body, NPT Spcl Thrd	4800-00FV	\$5,996.00
ZW5000STCC	2-1/2" Pressure Reducing Hose valve, angle body, NPT Spcl Thrd w/cap chain	4800-00FV	\$6,270.00
ZW5000STCCCH	2-1/2" Press Reduc Hose valve, angle body, NPT Spcl Thrd chrome w/cap chain	4800-00FV	\$6,926.00
RK-5004SWITCH	Repair Kit, 2-1/2" Zurn Wilkins ZW5004 Switch	4800-PART	\$260.00
RK-5004TAILPIECE	Repair Kit, 2-1/2" Zurn Wilkins ZW5004 Tailpiece	4800-PART	\$915.00
ZW5004	2-1/2 5004 Angle Sprnkler Valve Fem NPT x Fem NPT	4800-00FV	\$6,908.00
ZW5004CAP	2-1/2 5004 Angle Sprnkler Valve Fem NPT x Fem NPT, No handwheel	4800-00FV	\$5,510.00
ZW5004G	2-1/2 5004 Angle Sprnkler Valve Grv x Grv	4800-00FV	\$6,908.00
ZW5004GCAP	2-1/2 5004 Angle Sprnkler Valve Grv x Grv, No handwheel	4800-00FV	\$5,510.00
ZW5004IL	2-1/2 5004 Inline Sprnkler Valve Fem NPT x Fem NPT	4800-00FV	\$7,676.00
ZW5004ILCAP	2-1/2 5004 Inline Sprnkler Valve Fem NPT x Fem NPT, No handwheel	4800-00FV	\$6,042.00
ZW5004ILG	2-1/2 5004 Inline Sprnkler Valve Grv x Grv	4800-00FV	\$7,676.00
ZW5004ILGCAP	2-1/2 5004 Inline Sprnkler Valve Grv x Grv, No handwheel	4800-00FV	\$6,042.00
14 ZWFR	Freeze Relief Valve	4800-0SFB	\$414.00

INDEX

TABLE OF CONTENTS IN ALPHABETICAL ORDER

20XL SERIES – PRESSURE REDUCING VALVE	82	500XLYSBR SERIES – PRESSURE REDUCING VALVE	86
25 SERIES – PRESSURE GAUGE	124	510XLFC SERIES – OPTION FOR 500XLFC	87
25 SERIES – PRESSURE GAUGES	91	510XL SERIES – OPTION FOR 500XL	86
35XL SERIES – ATMOSPHERIC VACUUM BREAKER	53	600XL3 SERIES – PRESSURE REDUCING VALVE	88
40XL2 SERIES – IN-LINE SINGLE CHECK VALVE	53	600XL SERIES – PRESSURE REDUCING VALVE	89
480SY SERIES – OS&Y GATE VALVE	58	610XL SERIES – OPTION FOR 600XL	89
48PIV – POST INDICATOR GATE VALVE	59	625XL3 SERIES – OPTION FOR 600XL3	88
48 SERIES – NRS GATE VALVE	58	625XL SERIES – OPTION FOR 600XL	89
49 SERIES – BUTTERFLY VALVE	60	700XLP SERIES – DUAL CHECK VALVE	50
70XL SERIES – PRESSURE REDUCING VALVE	84	700XL SERIES – DUAL CHECK VALVE	50
300 SERIES PRODUCT DECODER	8	705 SERIES – DUAL CHECK VALVE	51
310/310DA SERIES – SINGLE CHECK VALVE ASSEMBLY	46	710 SERIES – PRESSURE VACUUM BREAKER	48
350/450 REPAIR KITS	128	720A REPAIR KITS	131
350A/350 SERIES – DOUBLE CHECK VALVE ASSEMBLY	14	720A SERIES – PRESSURE VACUUM BREAKER	49
350ADA/350DA SERIES – DOUBLE CHECK DETECTOR ASSEMBLY	20	730/735 SERIES – LABORATORY FAUCET VACUUM BREAKER	51
350ASTDA SERIES – DOUBLE CHECK DETECTOR ASSEMBLY WITH STAINLESS STEEL BODY	19	740 SERIES – BACKFLOW PREVENTER FOR VENDING MACHINE WATER SUPPLY	52
350AST SERIES – DOUBLE CHECK VALVE ASSEMBLY WITH STAINLESS STEEL BODY	11	760 SERIES – DUAL CHECK WITH ATMOSPHERIC VENT	52
350XL/350 REPAIR KITS	130	850XL SERIES – FULL PORT BALL VALVE	57
350XL/350 SERIES – DOUBLE CHECK VALVE ASSEMBLY	9	860XLFT – LEAD FREE FAST-TEST COCKS WITH INTEGRAL SAE FITTINGS (SET)	132
375/475 REPAIR KITS	128	860XL – LEAD FREE TEST COCKS (SET)	132
375A/375 SERIES – REDUCED PRESSURE PRINCIPLE ASSEMBLY	30	860XL SERIES – BALL VALVE TEST COCKS (EACH)	133
375ADA/375DA SERIES – REDUCED PRESSURE PRINCIPLE DETECTOR ASSEMBLY	42	950/975 REPAIR KITS	129
375ASTDA SERIES – REDUCED PRESSURE PRINCIPLE DETECTOR ASSEMBLY WITH STAINLESS STEEL BODY	40	950XL3 SERIES – DOUBLE CHECK VALVE ASSEMBLY	12
375AST SERIES – REDUCED PRESSURE PRINCIPLE ASSEMBLY WITH STAINLESS STEEL BODY	29	950XL SERIES – DOUBLE CHECK VALVE ASSEMBLY	11
375ST SERIES – STAINLESS STEEL REDUCED PRESSURE PRINCIPLE ASSEMBLY	25	950XLT2/950XLT/950XL/950 REPAIR KITS	130
375W1/375AW1/375ASTW1 SERIES AND W1 RETROFIT KIT – CONNECTED BACKFLOW W/ WIRELESS MONITOR (2-1/2" - 10")	36	950XLT2/950XLT SERIES – TOP ACCESS DOUBLE CHECK VALVE ASSEMBLY	10
375XL/375 REPAIR KITS	130	950XLTDA SERIES – DOUBLE CHECK DETECTOR ASSEMBLY	18
375XL/375 SERIES – REDUCED PRESSURE PRINCIPLE ASSEMBLY	24	975XL2/975XL/975 REPAIR KITS	130
375XLB SERIES – THEFT PREVENTION REDUCED PRESSURE PRINCIPLE ASSEMBLY	25	975XL2/975XL SERIES – REDUCED PRESSURE PRINCIPLE ASSEMBLY	26
400 SERIES SETTER	61	975XL2SE / 975XL2SEU SERIES – REDUCED PRESSURE PRINCIPLE ASSEMBLY WITH 90° STREET ELBOW	27
400ST SERIES SETTER	61	975XL3 SERIES – REDUCED PRESSURE PRINCIPLE ASSEMBLY	28
420XL/420 REPAIR KITS	131	975XLHBM SERIES – HYDRANT BACKFLOW AND METER VALVE	39
420XL SERIES – PRESSURE VACUUM BREAKER	47	975XLST SERIES – STAINLESS STEEL REDUCED PRESSURE PRINCIPLE ASSEMBLY	26
450DA SERIES – DOUBLE CHECK DETECTOR ASSEMBLY	23	1260XL SERIES – WATER HAMMER ARRESTERS	124
450 SERIES – DOUBLE CHECK VALVE ASSEMBLY	17	ACV PART NUMBER CONFIGURATION TOOL	68
450STDA SERIES – DOUBLE CHECK DETECTOR ASSEMBLY WITH STAINLESS STEEL BODY	22	AG SERIES – AIR GAP	62
450ST SERIES – DOUBLE CHECK VALVE ASSEMBLY WITH STAINLESS STEEL BODY	16	ATMOSPHERIC VACUUM BREAKER REPAIR KIT	131
460XL/460 REPAIR KITS	131	AUTOMATIC CONTROL VALVE OPTIONS AND ACCESSORIES	79
460XL SERIES – SPILL RESISTANT PRESSURE VACUUM BREAKER	47	AUTOMATIC CONTROL VALVE REPAIR KITS	131
475/475V SERIES – REDUCED PRESSURE PRINCIPLE ASSEMBLY	34	BFP-9 & BFP-8F SERIES – HOSE CONNECTION VACUUM BREAKER	54
475DA/475DAV SERIES – REDUCED PRESSURE PRINCIPLE DETECTOR ASSEMBLY	45	BVECXL SERIES – WATER HEATER SHUT-OFF VALVE WITH INTEGRAL THERMAL EXPANSION RELIEF VALVE	123
475ST/475STV SERIES – REDUCED PRESSURE PRINCIPLE ASSEMBLY WITH STAINLESS STEEL BODY	32	BVHD – BLUE STAINLESS STEEL BALL VALVE HANDLES WITH STAINLESS STEEL NUT	132
475STDA/475STDAV SERIES – REDUCED PRESSURE PRINCIPLE DETECTOR ASSEMBLY WITH STAINLESS STEEL BODY	44	BVHDXL – GREEN STAINLESS STEEL BALL VALVE HANDLES WITH STAINLESS STEEL NUT	132
500XL3 SERIES – PRESSURE REDUCING VALVE	85	BVMS – BALL VALVE MONITOR SWITCH	57
500XLFC SERIES – PRESSURE REDUCING VALVE	87	BY-PASS VALVES FOR DETECTOR ASSEMBLIES REPAIR KITS	129
500XL SERIES – PRESSURE REDUCING VALVE	86		

TABLE OF CONTENTS IN ALPHABETICAL ORDER - (CONTINUED)

CHECK SEAT RETAINER	129	RPHBM REPAIR KITS	133
COUPLINGS AND FITTINGS	101	RPHBM SERIES -	
DOUBLE CHECK DETECTOR ASSEMBLY BYPASS REPLACEMENT KIT	129	HIGH CAPACITY HYDRANT BACKFLOW AND METER COMBINATION	39
DUAL CHECK ASSEMBLY REPAIR KITS	131	SECOND CHECK ASSEMBLY	128
DUXL/DUXLC SERIES - DIELECTRIC UNIONS	126	SMALL DIAMETER BACKFLOW PREVENTER REPAIR KITS	130
F480SYF SERIES - FIRE OS&Y UNTAPPED GATE VALVE	59	SXL SERIES - WYE STRAINER	65
F49BR/F49BRG SERIES - POWERBALL BUTTERFLY VALVES	98	TABLE OF CONTENTS BY PRODUCT CATEGORIES	4
F49 SERIES - FIRE BUTTERFLY VALVES	99	TABLE OF CONTENTS IN ALPHABETICAL ORDER	221
F100/F100G SERIES - FIRE HOSE VALVES	98	TG-3 AND TG-5 - BACKFLOW ASSEMBLY TEST KITS	60
F210R SERIES - RISER CHECKS	99	THERMOSTATIC MIXING VALVES ACCESSORIES	112
FCIS SERIES - CONNECTED FLOOD CONTROL SYSTEM (2-1/2" - 10") / FLOOD CONTROL INTEGRATED SYSTEM (1-1/4" - 2")	37	TP220 SERIES - COMMERCIAL TEMPERATURE AND PRESSURE VALVE	114
FIRE VALVE REPAIR KITS	133	TP1100A SERIES - RESIDENTIAL TEMPERATURE AND PRESSURE VALVE	114
FIRST CHECK ASSEMBLY	128	TP3000 SERIES - COMMERCIAL TEMPERATURE AND PRESSURE VALVE	115
FLUSH FITTING TOOLS - 350/375 BACKFLOW PREVENTERS	60	TPKXL SERIES - TAILPIECE KITS	90
FP3 SERIES - CAPS	103	TPKXL SERIES - TAILPIECE KITS	112
FP8 SERIES - GROOVED FLANGES	105	VR10XL SERIES - VACUUM RELIEF VALVE	125
FP23 SERIES - COUPLINGS - SINGLE BOLT (EZ1), RIGID (R), FLEX (F), REDUCING	101	WATER PRESSURE REDUCING VALVE ACCESSORIES	90
FP51 SERIES - GROOVED REDUCERS	105	WBR SERIES - IN BUILDING RISERS	56
FP52 SERIES - ELBOWS - 90° STANDARD RADIUS, 90° SHORT RADIUS (S), 45° STANDARD RADIUS (-45), 22.5° STANDARD RADIUS (-22), 11.25° STANDARD RADIUS (-11), END OF RUN ADAPTER (GTF)	102	WTTA SERIES - ASME THERMAL EXPANSION TANK	122
FP53 SERIES - TEES - STANDARD RADIUS, SHORT RADIUS (S), REDUCING BRANCH	103	WXTP SERIES - POTABLE WATER EXPANSION TANK	121
FP56 SERIES - CROSSES	103	XT SERIES - POTABLE WATER EXPANSION TANK	121
FP63 SERIES - MECHANICAL TEES - GROOVED (G), THREADED (TF), U-BOLT (LTF)	104	YBXL SERIES - WYE STRAINER	64
FSC SERIES - WYE STRAINER	65	Z3000/Z3005 SERIES - PRESSURE-TRU® FIRE HOSE VALVES	96
GATEWAY	36	Z3004 SERIES - PRESSURE-TRU® FIRE FLOOR CONTROL VALVES	95
GATEWAY	37	ZCSM-PF AND ZCSM-BTM - CONNECTED PRESSURE MONITOR (ZCSM-PF) WITH OPTIONAL CONNECTED FLOW METER (ZCSM-BTM)	38
GATEWAY	38	ZCSM-RP - CONNECTED REMOTE PRESSURE MONITOR	120
GATEWAY	120	ZW204 SERIES - NON-MODULATING FLOAT VALVE	73
GENERAL TERMS AND CONDITIONS	2	ZW205FP SERIES - FIRE PROTECTION PRESSURE RELIEF VALVE	77
HBRV - HOSE BIBB RELIEF VALVE	117	ZW205 SERIES - PRESSURE RELIEF, PRESSURE SUSTAINING VALVE	72
HXT SERIES - HYDRONIC EXPANSION TANK	122	ZW206 SERIES - SOLENOID CONTROL VALVE	71
LARGE DIAMETER BACKFLOW PREVENTER REPAIR KITS	128	ZW207 SERIES - EXCESS PRESSURE SHUT-OFF VALVE	70
LEAD FREE	6	ZW209FP SERIES - FIRE PROTECTION PRESSURE REDUCING VALVE	76
MISCELLANEOUS PARTS AND REPAIR KITS	132	ZW209 SERIES - PRESSURE REDUCING VALVE	69
NR3XL SERIES - PRESSURE REDUCING VALVE	83	ZW215FP SERIES - FIRE PUMP SUCTION CONTROL VALVE	78
OSY-40 - GATE VALVE SUPERVISORY SWITCH KIT	57	ZW218 SERIES - SLOW CLOSE CHECK VALVE	74
P1000AXL SERIES - PRESSURE RELIEF VALVE	116	ZW221/ZW222 SERIES - ALTITUDE LEVEL CONTROL VALVES	75
P1500XL SERIES - CALIBRATED PRESSURE RELIEF VALVE	116	ZW1017XL - AQUA-GARD® THERMOSTATIC MIXING VALVE (ASSE 1017 POINT OF SOURCE)	108
P1520XL/1550XL SERIES - THERMAL EXPANSION PRESSURE RELIEF VALVE	117	ZW1017XLHT - AQUA-GARD® THERMOSTATIC MIXING VALVE (ASSE 1017 POINT OF SOURCE)	109
P4000A - PRESSURE RELIEF VALVES	100	ZW1070XL - AQUA-GARD® THERMOSTATIC MIXING VALVE (ASSE 1070 POINT OF USE)	110
PRESSURE REDUCING VALVE REPAIR KITS	132	ZW3870XL - THERMOSTATIC MIXING VALVE (ASSE 1070 POINT OF USE)	111
PRESSURE VACUUM BREAKER REPAIR KITS	131	ZW4000 SERIES - PRESSURE-TRU® FIRE HOSE VALVES	96
QT/QTP - QUICK TEST BACKFLOW TEST FITTINGS	132	ZW4004 SERIES - PRESSURE-TRU® FIRE FLOOR CONTROL VALVES	95
QT-SET (BRASS) AND QTP (PLASTIC) - QUICK TEST FITTINGS	61	ZW4100 SERIES - PRESSURE-TRU® FIRE HOSE VALVES	97
RFK4X3-400ST - 4" X 3" SETTER ADAPTERS FOR 400ST SERIES	62	ZW4104 SERIES - PRESSURE-TRU® FIRE FLOOR CONTROL VALVES	97
RK-975TOOL - COMPLETE SET OF 950XL/975XL SEAT REMOVAL TOOLS	133	ZW5000 SERIES - PRESSURE-TRU® FIRE HOSE VALVES	94
RK-BVTOOL - BALL VALVE HANDLE SOCKETS 3/4", 1", 1-1/4", 1-1/2", AND 2"	133	ZW5004 SERIES - PRESSURE-TRU® FIRE FLOOR CONTROL VALVES	94
RP DETECTOR ASSEMBLY BYPASS REPLACEMENT KIT	129	ZWFR - FREEZE RELIEF VALVE	56

